

SONY

3-099-777-21(1)

Personal Audio System

Operating Instructions

US

Owner's Record

The model number is located at the bottom and the serial number is located in the battery compartment.

ZS-BT1

© 2007 Sony Corporation Printed in China http://www.sony.net/

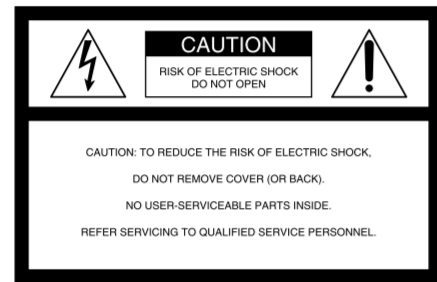
WARNING

To reduce the risk of fire or electric shock, do not expose this apparatus to rain or moisture.

To reduce the risk of fire, do not cover the ventilation of the apparatus with newspapers, tablecloths, curtains, etc.

To reduce the risk of fire or electric shock, do not place objects filled with liquids, such as vases, on the apparatus.

Do not install the appliance in a confined space, such as a bookcase or built-in cabinet.

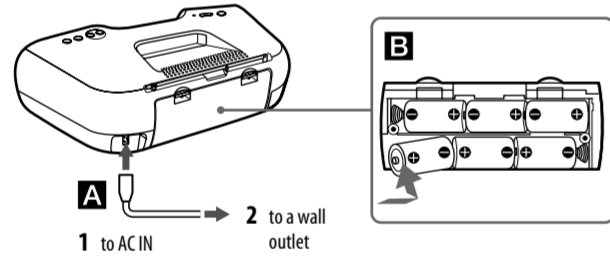


This symbol is intended to alert the user to the presence of uninsulated "dangerous voltage" within the product's enclosure that may be of sufficient magnitude to constitute a risk of electric shock to persons.



This symbol is intended to alert the user to the presence of important operating and maintenance (servicing) instructions in the literature accompanying the appliance.

Power sources



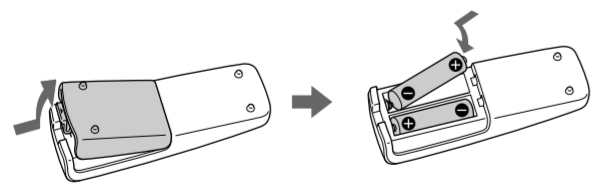
Connect the AC power cord A or insert six R20 (size D) batteries (not supplied) into the battery compartment B.

Notes

- Replace the batteries when the OPR/BATT indicator 2 dims or when the unit stops operating.
Replace all the batteries with new ones. Before you replace the batteries, be sure to take out the CD from the unit.
To use the unit on batteries, disconnect the AC power cord from the unit.
When you operate the unit on batteries, you cannot turn on the unit using the remote.

Preparing the remote

Insert two R6 (size AA) batteries (not supplied).



Replacing batteries

With normal use, the batteries should last for about six months. When the remote no longer operates the unit, replace all the batteries with new ones.

CAUTION

The use of optical instruments with this product will increase eye hazard.

Information

For customers in the USA

This equipment has been tested and found to comply with the limits for a Class B digital device, pursuant to Part 15 of the FCC Rules. These limits are designed to provide reasonable protection against harmful interference in a residential installation.

You are cautioned that any changes or modifications not expressly approved in this manual could void your authority to operate this equipment.

This equipment must not be co-located or operated in conjunction with any other antenna or transmitter.

This equipment complies with FCC radiation exposure limits set forth for uncontrolled equipment and meets the FCC radio frequency (RF) Exposure Guidelines in Supplement C to OET65.

Notes on DualDiscs

A DualDisc is a two sided disc product which mates DVD recorded material on one side with digital audio material on the other side.

Music discs encoded with copyright protection technologies

This product is designed to playback discs that conform to the Compact Disc (CD) standard. Recently, various music discs encoded with copyright protection technologies are marketed by some record companies.

For customers in the USA

Please register this product on line at http://www.sony.com/productregistration

- The Bluetooth word mark and logos are owned by the Bluetooth SIG, Inc. and any use of such marks by Sony Corporation is under license.
TM and (R) marks are omitted in this manual.

Basic Operations

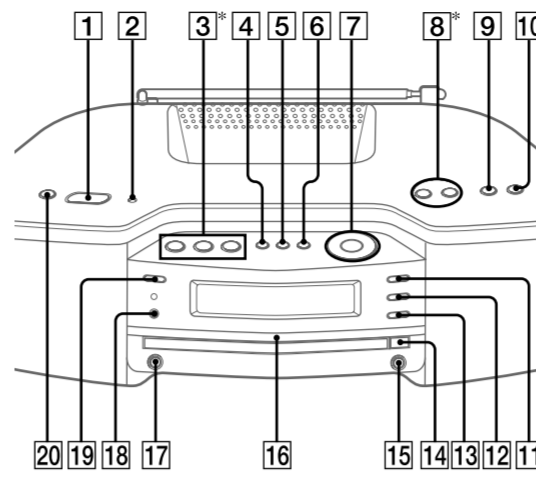


Table with 2 columns: To, Press. Lists functions like Pause playback, Stop playback, Go to the next track, etc. with corresponding button symbols.

On the remote

To select CD function, press CD 11.

Notes

- When pressing 7 (forward) or 8 (backward) while playing and hold it until you find the point.
You cannot locate a specific track if "SHUF" or "PGM" is lit in the display.

Listening to the radio

To listen to FM or AM

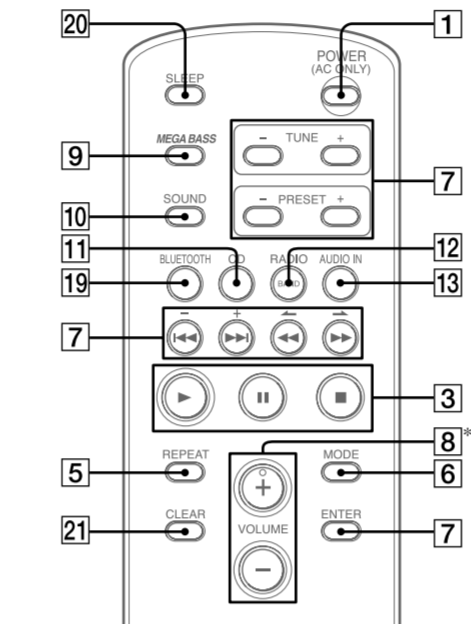
- Press RADIO BAND+AUTO PRESET 12 on the unit (RADIO+BAND 12 on the remote) repeatedly to select FM or AM.
Hold down TUNE + or - 7 until the frequency digits begin to change in the display.

The unit automatically scans the radio frequencies and stops when it finds a clear station.

If you cannot tune in a station, press TUNE + or - 7 repeatedly to change the frequency step by step.

Tip

If the FM broadcast is noisy, press MODE 6 until "MONO" appears in the display and the radio will play in monaural.



* VOLUME + 8 and 3 on the unit have a tactile dot.

Before using the unit

To turn on/off the power

Press POWER 1.

To adjust the volume

Press VOLUME +, - 8.

To listen through headphones

Connect the headphones to the (headphones) jack 17.

To select the sound characteristic

Press SOUND 10 repeatedly to select the audio emphasis you want.

Table with 2 columns: Choose, To get. Lists sound characteristics like Powerful, clean sounds, Percussive sounds, etc.

To reinforce the bass sound

Press MEGA BASS 9 to display "MEGA BASS" in the display. To return to normal sound, press MEGA BASS 9 to disappear from the display.

Note

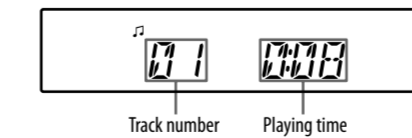
MEGA BASS does not function when you use the Bluetooth headphones to listen to a sound source other than through the Bluetooth function (e.g., CD, radio, or AUDIO IN).

Playing a CD

- Press CD 11 on the unit. "CD" appears in the display.
Press 14 on the unit, and place a disc with the label side up on the CD tray. To close the CD tray, press 14 on the unit.



- Press 3 on the unit. The unit plays all the tracks once.



Notes: When pressing 7 (forward) or 8 (backward) while playing and hold it until you find the point. You cannot locate a specific track if "SHUF" or "PGM" is lit in the display.

Listening to the radio

To listen to FM or AM

- Press RADIO BAND+AUTO PRESET 12 on the unit (RADIO+BAND 12 on the remote) repeatedly to select FM or AM.
Hold down TUNE + or - 7 until the frequency digits begin to change in the display.

The unit automatically scans the radio frequencies and stops when it finds a clear station.

If you cannot tune in a station, press TUNE + or - 7 repeatedly to change the frequency step by step.

Tip

If the FM broadcast is noisy, press MODE 6 until "MONO" appears in the display and the radio will play in monaural.

Using the Bluetooth function

This unit supports Bluetooth A2DP and AVRCP profiles. For details on Bluetooth wireless technology, see "Bluetooth wireless technology" on the back page.

Check the websites below for the latest information about compatible devices.

- For customers in the U.S.A.: <http://www.sony.com/shelfsupport>
For customers in Canada: <http://www.sony.ca/ElectronicsSupport/>
For customers in Latin America: <http://www.sony-latam.com/pa/info>
For customers in Asia and Oceania: <http://www.css.ap.sony.com/>

Listening to music of a Bluetooth mobile phone or Bluetooth device

You can listen to music from your Bluetooth mobile phone or Bluetooth device over a wireless connection.



Follow the procedure below to listen to music from Bluetooth devices with this unit.

Pairing this unit with a Bluetooth device

Connecting to registered devices

Playing music of a Bluetooth device

For details about the operations of the Bluetooth device, also refer to the operation manual supplied with your Bluetooth device.

Pairing this unit with a Bluetooth device

Pairing is an operation where Bluetooth devices register with each other beforehand. Use the procedure below to pair the unit with your Bluetooth device.

- Place the Bluetooth device to be connected to this unit within 1 meter of the unit.
Press BLUETOOTH 19.

For details about the operations of the Bluetooth device, refer to the operation manual supplied with your Bluetooth device.

When establishing a connection with this unit, select the audio profile (A2DP, AVRCP) at the Bluetooth device. If the Bluetooth device does not support the AVRCP profile, you cannot perform playback or other operations with the unit.

- Enter the passcode. Passcode entry may be required depending on the type of Bluetooth device. When "PIN" appears, enter the passcode at the unit as follows:



Press >>>>, <<<<<<, *, +, on the unit (<<<<+, >>>>+ and <<<<+, >>>>+ on the remote) 7 to enter the same passcode that was entered at the Bluetooth device, and then press ENTER 7.

Once pairing is completed and the connection is established, the unit display changes as follows: "LINKED" -> Name of the Bluetooth device

To cancel passcode entry partway

Press 3.

Notes

- "Passcode" may be called "Passkey", "PIN code", "PIN number" or "Password", etc. depending on the device.
This unit only supports numerical passcodes up to 4 digits.
The pairing standby status of the unit is cancelled after about 30 seconds.

To erase all the pairing registration information

- Press BLUETOOTH 19. When the unit is connected with a Bluetooth device (when the Bluetooth device name or other information appears in the unit display), press and hold BLUETOOTH OPR 18 on the unit for about 2 seconds to put the unit in Bluetooth standby mode.
Press CLEAR 21 on the remote. "DELETE" appears.
Press ENTER 7. "COMPLETE" appears and all the pairing information is erased.

Note

In order to connect with a Bluetooth device after performing this operation, you must enter the passcode again.

Playing music of a Bluetooth device

You can operate a Bluetooth device by connecting the unit and a Bluetooth device using AVRCP. If the unit is not connected with a Bluetooth device using AVRCP, "NOT USED" appears when you operate the unit.

- Press BLUETOOTH 19. Establish a connection from the Bluetooth device. For details about the operations of the Bluetooth device, refer to the operation manual supplied with your Bluetooth device. Once the connection is established, the unit display changes as follows: "LINKED" -> Name of the Bluetooth device
Press 3. Depending on the Bluetooth device, you may need to start up the AV software of the Bluetooth device beforehand.
Press VOLUME + or - to adjust the volume 8.

To check the address of a connected Bluetooth device

Press DISPLAY 4 while the Bluetooth device name appears in the unit display. The Bluetooth device address appears.

To cancel the connection with a Bluetooth device

Press and hold BLUETOOTH OPR 18 on the unit for about 2 seconds until "UNLINKED" appears, or until the information on the display (device name, etc.) disappears.

Other operation

Table with 2 columns: To, Press. Lists functions like Pause playback, Stop playback, Select a file, Find a point in a file with corresponding button symbols.

Note

These operations may not be available for certain Bluetooth devices. In addition, the actual operations may differ depending on the connected Bluetooth device.

Notes on connections with Bluetooth devices

- If you cannot connect with a paired Bluetooth device, perform the pairing operation between the unit and the Bluetooth device again.
Depending on the type of Bluetooth device, you can adjust the volume using the controls of the Bluetooth device.
When BLUETOOTH 19 is pressed while connected to Bluetooth headphones, it may take some time until a connection is made to the unit from another Bluetooth device.

Listening to music on this unit using Bluetooth headphones

You can listen to music played on this unit using your Bluetooth headphones over a wireless connection.



Follow the procedure below to listen to music on this unit with Bluetooth headphones.

Pairing this unit with Bluetooth headphones

Connecting to registered headphones

Playing music on this unit

For details about the operations of the Bluetooth headphones, also refer to the operation manual supplied with your Bluetooth headphones.

Pairing this unit with Bluetooth headphones

Pairing is an operation where Bluetooth devices register with each other beforehand. Use the procedure below to pair the unit with your Bluetooth headphones.

- Select a function other than the Bluetooth function.
Place the Bluetooth headphones to be connected to this unit within 1 meter of the unit.
Put the Bluetooth headphones in pairing mode. For details about the operations of the Bluetooth headphones, refer to the operation manual supplied with your Bluetooth headphones.
Press and hold BLUETOOTH OPR 18 on the unit for about 7 seconds until the BLUETOOTH indicator 18 flashes. Sound output from the speakers is stopped.
Press ENTER 7. "COMPLETE" appears and all the pairing information is erased.

Follow the same procedure as in step 4 of "Pairing this unit with a Bluetooth device" on this page. Once pairing is completed and the connection is established, the unit display changes as follows: "LINKED" -> Name of the Bluetooth device

To cancel passcode entry partway

Press 3.

Notes

- "Passcode" may be called "Passkey", "PIN code", "PIN number" or "Password", etc. depending on the device.
This unit only supports numerical passcodes up to 4 digits.
The pairing standby status of the unit is cancelled after about 30 seconds.

To erase all the pairing registration information

- Press BLUETOOTH 19. When the unit is connected with a Bluetooth device (when the Bluetooth device name or other information appears in the unit display), press and hold BLUETOOTH OPR 18 on the unit for about 2 seconds to put the unit in Bluetooth standby mode.
Press CLEAR 21. "DELETE" appears.
Press ENTER 7. "COMPLETE" appears and all the pairing information is erased.

Note

To connect with Bluetooth headphones after performing this operation, you must enter the passcode again.

Continued on back page

