

Contents

English	3
Čeština	15
Dansk	27
Deutsch	39
Ελληνικά	53
Español	67
Suomi	81
Français	93
Hrvatski	107
Magyar	119
Italiano	133
Nederlands	147
Norsk	161
Português do Brasil	173
Polski	187
Русский	201
Slovensky	215
Slovenščina	229
Svenska	241
Türkçe	253
简体中文	265
繁體中文	277



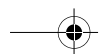
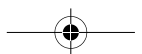
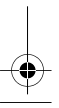
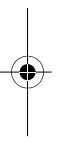
This manual is published by Sony Ericsson Mobile Communications AB or its local affiliated company, without any warranty. Improvements and changes to this manual necessitated by typographical errors, inaccuracies of current information, or improvements to programs and/or equipment, may be made by Sony Ericsson Mobile Communications AB at any time and without notice. Such changes will, however, be incorporated into new editions of this manual. All rights reserved.

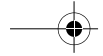
©Sony Ericsson Mobile Communications AB, 2006

Publication number: LZT 108 8905 R1A

Some of the services in this manual are not supported by all networks. This also applies to the GSM International Emergency Number 112. Contact your network operator or service provider if you are in doubt whether you can use a particular service or not.

The Bluetooth word mark and logos are owned by the Bluetooth SIG, Inc. and any use of such marks by Sony Ericsson is under license.





English

MBW-100 Bluetooth™ watch 4

Icons 5

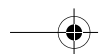
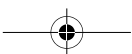
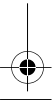
Getting started 6

Using your watch 9

Troubleshooting 13

Declaration of conformity 14

FCC statement 14



MBW-100 Bluetooth™ watch

Congratulations on your purchase of the MBW-100 Sony Ericsson Bluetooth™ watch.

The MBW-100 provides you with intelligent control of calls and music through your watch.

You are notified when your phone rings and when you receive a text message. The name or number of the caller is displayed in the watch and you can mute or reject incoming calls.

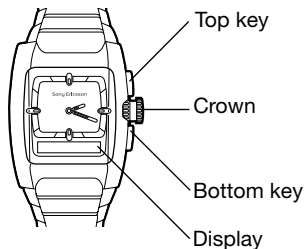
If your phone has a music player you can play, pause or forward tracks with your watch.

You can also use the watch to keep track of date and time in the phone.

The watch is waterproof down to 30 metres.

Visit www.sonyericsson.com/support for an overview of which phone models fully support the MBW-100.

Watch overview



Instruction symbols

The following symbols appear in the User guide:







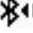

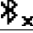






Note

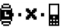


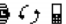
See also page...

Icons


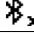


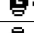
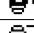
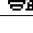
Status icons

	Incoming call
	Incoming phone call muted in the phone
	Message received
	Bluetooth function on. No connection to phone
	Bluetooth function on. Watch connected to phone
	Bluetooth function connecting
	Bluetooth function off
	Battery level low. Bluetooth function off
	Battery level
	Battery charging
	Play/pause
	Next track
	Pairing succeeded

 Watch is out of range of the phone, or connection cannot be established

 Watch in pairing mode

Setting icons

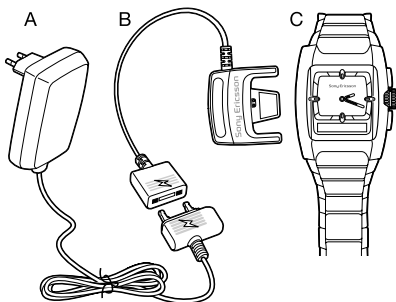
	Bluetooth function on
	Bluetooth function off
	Message notification on
	Message notification off
	Out of range notification on
	Out of range notification off
	Start pairing mode

Getting started

Kit content

Before you start using the watch, make sure the following items are in the box:

- Charger (A)
- Charging clip (B)
- The MBW-100 (C)

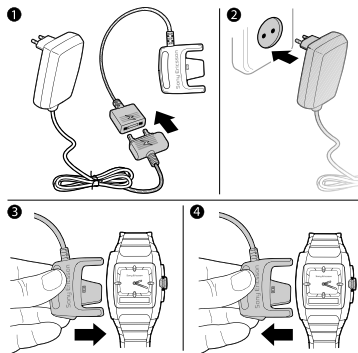



Charging

Make sure your watch battery is fully charged.

Minimum charging is 2 hours.

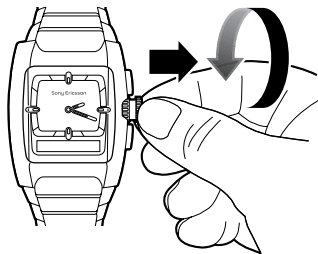
To charge the battery




- 1 Connect the charger to the charging clip with the symbols on the charger and clip facing in the same direction.
- 2 Connect the charger to the mains.
- 3 Connect the charging clip to the watch. Press to open the clip and slide it over the watch. Make sure that the contacts of the clip are connected to the contacts on the back of the watch.  appears. Wait approximately 2 hours or until the battery icon indicates charging is complete.
- 4 Remove the charging clip.

Setting the time

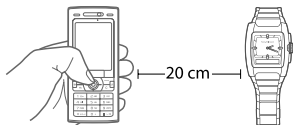
To set the time



- Gently pull out the crown  and rotate it to set the time. When the time is set, push the crown back in until you hear a click.


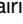
Pairing

Your watch has to be paired with your phone before you can use it. Your watch can only be paired with one phone at a time. Start a new pairing procedure to use the watch with another phone.

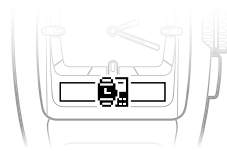



Follow instructions in the phone User guide on how to turn the Bluetooth function on in the phone.

To pair your watch with a phone

- 1 Turn the Bluetooth function on in your phone.
- 2 Turn Bluetooth visibility on in your phone. This makes your phone visible to other Bluetooth devices.
- 3 Press the bottom key repeatedly to select pairing mode , then press the top key to turn on pairing mode .
- 4 Press **Yes** when **Add device?** appears in your phone. If **Add device?** does not appear, go to step 5. For some phones you may need to enter a passcode. The default passcode is 0000.
- 5 Prepare your phone according to the phone User guide on how to pair a Bluetooth device.


If pairing is successful, the pairing icon appears and the watch vibrates.



 *To stop pairing, press and hold the top key.*

After you have paired your watch with a phone, the watch will automatically connect to the phone as soon as the phone is on and within range.

Phone settings

 *If pairing fails, you need to set the watch in pairing mode and repeat the pairing procedure.*

If the phone is out of range of your watch, you are asked if you would like to reconnect again. You can choose between **Always ask** and **Always allow** in your phone.

- **Always ask**

If you choose **Always ask**, you will always be asked if you want to reconnect each time the watch and the phone are within range.


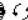
- **Always allow**

If you choose **Always allow**, the watch automatically reconnects to the phone each time both devices are within range.

Pairing mode

To pair your watch a second time, for example, with another phone or if the first pairing failed, do this manually by setting the watch to pairing mode.

To set the watch to pairing mode

- Press the bottom key repeatedly to select pairing mode  and then press the top key.  appears.

Using your watch

Settings

Settings are shown as icons in the display.

To read more about setting icons

➡ 5 *Setting icons*.

To enter the settings menu

- Press the bottom key.

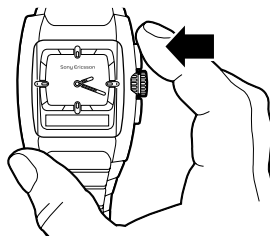
To turn a setting on or off

- 1 Press the bottom key repeatedly until the setting you want is highlighted.
- 2 Press the top key to turn the setting on or off.

Calls

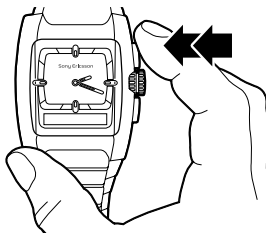
When the phone rings, the watch vibrates and the name and/or number of the caller is displayed in the watch. You can mute or reject the call by pressing the top key.

To mute an incoming call




- Press the top key.

To reject an incoming call





- Press the top key twice.

Text messages

When message notification is on, the watch vibrates and  appears when you receive a text message. If you have unread messages in your phone inbox, you will not get a notification. Message notification is on by default.

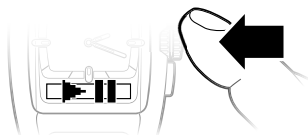
To change message notification status



- 1 Press the bottom key repeatedly to select .
- 2 Press the top key to change between on  and off .



Music

Use the watch to control the music player in the phone. Play, pause and forward music tracks by pressing the crown.

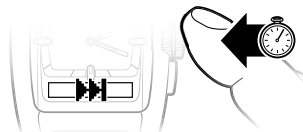
To listen to music




- Press  once to start a track. Press  again to pause a track.

 For some phones you may need to press  twice to start or pause a track.

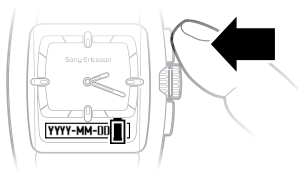
To forward to the next track



- Press and hold .

Battery status

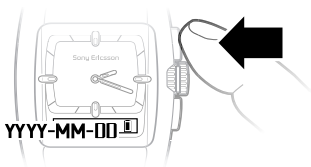
To check the watch battery status



- Press the top key. The phone date is also shown.

Date

To check the phone date

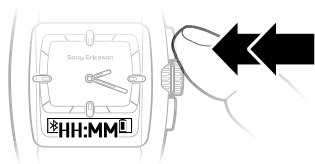


- Press the top key once. The watch battery status is also shown.

The date format shown in the watch is set to YYYY-MM-DD (year, month and day).

Time

To check the phone time



- From standby, press the top key twice. Watch battery status and Bluetooth function status are also shown.




The time format shown in the watch is set to 24-hour, HH:MM (hour and minute).


The Bluetooth function

The Bluetooth function makes wireless connection to your phone possible.

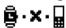
You have to turn the Bluetooth function off in sensitive areas like aeroplanes or hospitals.

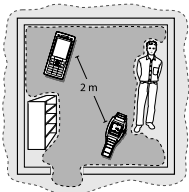
To turn the Bluetooth function on or off


- 1 When the display is dimmed, press the bottom key once to select .
- 2 Press the top key to change between on  and off .


 If battery level is low, the Bluetooth function is automatically turned off. Turn the Bluetooth function on again when the battery is fully charged.

Out of range

When the phone is out of range the watch vibrates and the  icon appears.






 Optimal performance

 Limited performance

The out of range distance varies and depends where you are. The connection may be improved if there are no solid objects between your watch and phone.

If you are out of range longer than 30 minutes, reconnect to the phone again by pressing the top key.

To change out of range notification status


- 1 Press the bottom key repeatedly to select .
- 2 Press the top key to change between on  and off .

12 English

Master reset

Set the watch to factory default settings and delete changes you have made.

To reset the watch

- 1 Enter pairing mode  8 *Pairing mode*.
- 2 Press and hold the top and bottom key until the display lights up. After a few seconds the display dims again and your watch is reset.

Pairing the watch after master reset

To pair your watch with a phone after a master reset  7 *Pairing*.

Troubleshooting

Music player does not start

If the music player does not start when you press the crown, turn the music on using the phone.

Battery capacity

If the battery does not work properly it needs to be replaced by a certified repair centre.

Software version

To check software version

- In pairing mode, press the bottom key five times. To stop checking software version, press the top key twice. Ignore pairing request in the phone.

Dashes on the display

If dashes (----) appear on the display when you press the top key, pair your watch with the phone again,
➔ *7 Pairing*.

Dial-up networking message

During pairing with some phones you may receive a message about dial-up networking. If this happens, select **Accept** to continue.

Text message notification

With some phones the text message notification function does not work.

Declaration of conformity

We, **Sony Ericsson Mobile Communications AB**
of
Nya Vattentorget
221 88 Lund, Sweden
declare under our sole responsibility that our
product
Sony Ericsson type DGA-0002001

to which this declaration relates is in conformity
with the appropriate standards EN 300 328,
EN 301 489-17, EN 301 489-7 and EN 60950
following the provisions of Radio Equipment and
Telecommunication Equipment directive 1999/5/EC
with requirements covering EMC directive
89/336/EEC and Low Voltage directive 73/23/EEC.

Lund, July 2006.

CE 0682



Ulf Persson, Head of Product Business Unit
Accessories

We fulfil the R&TTE Directive.

FCC statement

This device complies with part 15 of the FCC rules.
Operation is subject to the following two conditions:
(1) This device may not cause harmful interference,
and (2) This device must accept any interference
received, including interference that may cause
undesired operation.