

Digital Printing System

Operating Instructions	Page 2	GB
Mode d'emploi	Page 00	FR
Manual de instrucciones	página 00	ES



UPX-C200

Owner's Record

The model and serial numbers are located at the rear. Record these number in the space provided below. Refer to these numbers whenever you call upon your Sony dealer regarding this product.

Model No. _____

Serial No. _____

WARNING

To prevent fire or shock hazard, do not expose the unit to rain or moisture.

To avoid electrical shock, do not open the cabinet. Refer servicing to qualified personnel only.

for the UP-DX100 Printer, DKC-C200X Digital Still Camera, and the PCS-AC08 AC Power Adaptor

For the customers in the USA

This equipment has been tested and found to comply with the limits for a Class B digital device, pursuant to Part 15 of the FCC Rules. These limits are designed to provide reasonable protection against harmful interference in a residential installation. This equipment generates, uses, and can radiate radio frequency energy and, if not installed and used in accordance with the instructions, may cause harmful interference to radio communications. However, there is no guarantee that interference will not occur in a particular installation. If this equipment does cause harmful interference to radio or television reception, which can be determined by turning the equipment off and on, the user is encouraged to try to correct the interference by one or more of the following measures:

- Reorient or relocate the receiving antenna.
- Increase the separation between the equipment and receiver.
- Connect the equipment into an outlet on a circuit different from that to which the receiver is connected.
- Consult the dealer or experienced radio/TV technician for help.

You are cautioned that any changes or modifications not expressly approved in this manual could void your authority to operate this equipment.

This device requires shielded interface cables to comply with FCC emission limits

The shielded interface cable recommended in this manual must be used with this equipment in order to comply with the limits for a digital device pursuant to Subpart B of Part 15 of FCC Rules.

If you have any questions about this product, you may call:

Sony's Business Information Center (BIC) at 1-800-686-SONY (7669) or Sony Web site at www.sony.com.

Declaration of conformity

Trade Name: SONY
Model: DKC-C200X
Responsible Party: Sony Electronics Inc.
Address: 680 Kinderkamack Road,
Oradell, NJ 07649 U.S.A.
Telephone Number: 201-930-6972

This device complies with part 15 of the FCC Rules. Operation is subject to the following two conditions: (1) This device may not cause harmful interference, and (2) this device must accept any interference received, including interference that may cause undesired operation.

For the customers in Canada

This Class B digital apparatus complies with Canadian ICES-003.

Operation is subject to the following two conditions: (1) this device may not cause interference, and (2) this device must accept any interference, including interference that may cause undesired operation of the device.

The term "IC" before the certification/registration number only signifies that the Industry Canada technical specifications were met.

for the DKC-C200X Digital Still Camera CAUTION

Danger of explosion if the battery is incorrectly replaced. Replace only with the same or equivalent type recommended by the manufacturer. Dispose of used batteries according to the manufacturer's instructions.

WARNING

This unit has no power switch.

When installing this unit, incorporate a readily accessible disconnect device in the fixed wiring, or connect the power cord to socket-outlet which must be provided near the unit and easily accessible.

If a fault should occur during operation of the unit, operate the disconnect device to switch the power supply off, or disconnect the power cord.

Voor de klanten in Nederland

- Dit apparaat bevat een vast ingebouwde batterij die niet vervangen hoeft te worden tijdens de levensduur van het apparaat.
- Raadpleeg uw leverancier indien de batterij toch vervangen moet worden.
De batterij mag alleen vervangen worden door vakbekwaam servicepersoneel.
- Gooi de batterij niet weg maar lever deze in als klein chemisch afval (KCA).
- Lever het apparaat aan het einde van de levensduur in voor recycling, de batterij zal dan op correcte wijze verwerkt worden.



For the customers in Europe

Hereby, Sony Corporation, declares that this UPX-C200 is in compliance with the essential requirements and other relevant provisions of the Directive 1999/5/EC.

For details, please access the following URL:

<http://www.compliance.sony.del>

This product is intended to be used in the following countries : Austria, Belgium, Denmark, Finland, France, Germany, Greece, Ireland, Italy, Luxembourg, The Netherlands, Portugal, Spain, Sweden, United Kingdom, Iceland, Norway, Switzerland, Liechtenstein, and Lithuania.

Para clientes na Europa

A Sony Corporation declara que o UPX-C200 está em conformidade com os requisitos essenciais e outras disposições importantes da Directiva 1999/5/CE.

Para mais informações, aceda ao URL apresentado em seguida:

<http://www.compliance.sony.del>

Este produto pode ser utilizado nos seguintes países: Áustria, Bélgica, Dinamarca, Finlândia, França, Alemanha, Grécia, Irlanda, Itália, Luxemburgo, Holanda, Portugal, Espanha, Suécia, Reino Unido, Islândia, Noruega, Suíça, Liechtenstein e Lituânia.

Voor klanten in Europa

Sony Corporation verklaart hierbij dat deze UPX-C200 voldoet aan de primaire vereisten en andere relevante voorschriften van richtlijn 1999/5/EC van de Europese Unie.

Voor verdere informatie bezoekt u de volgende website:

<http://www.compliance.sony.del>

Dit product is bedoeld voor gebruik in de volgende landen: België, Denemarken, Duitsland, Finland, Frankrijk, Griekenland, Ierland, Italië, Liechtenstein, Litouwen, Luxemburg, Nederland, Noorwegen, Oostenrijk, Portugal, Spanje, Verenigd Koninkrijk, IJsland, Zweden en Zwitserland.

För kunder i Europa

Sony Corporation förkunnar härmed att denna UPX-C200 uppfyller de huvudsakliga kraven och andra relevanta villkor i direktivet 1999/5/EC.

Se följande URL för närmare detaljer:

<http://www.compliance.sony.del>

Denna produkt är avsedd för användning i följande länder: Österrike, Belgien, Danmark, Finland, Frankrike, Tyskland, Grekland, Irland, Italien, Luxemburg, Nederländerna, Portugal, Spanien, Sverige, Storbritannien, Island, Norge, Schweiz, Liechtenstein och Litauen.

For kunder i Europa

Sony Corporation erklærer herved, at denne UPX-C200 er i overensstemmelse med de essentielle krav og andre relevante bestemmelser i direktiv 1999/5/EC.

Åbn venligst den følgende URL angående detaljer:

<http://www.compliance.sony.de/>

Dette produkt er beregnet til brug i de følgende lande:

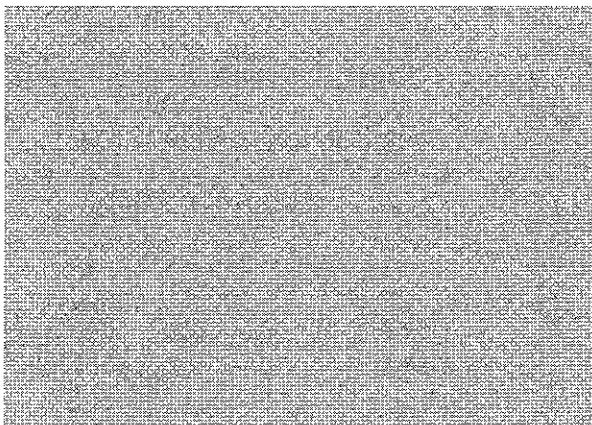
Østrig, Belgien, Danmark, Finland, Frankrig, Tyskland, Grækenland, Irland, Italien, Luxembourg, Holland, Portugal, Spanien, Sverige, Storbritannien, Island, Norge, Svejs, Liechtenstein og Litauen.

Euroopassa oleville asiakkaille

Sony Corporation vakuuttaa täten, että tämä UPX-C200 vastaa direktiivin 1999/5/EC olennaisia vaatimuksia ja muita asiaankuuluvia määräyksiä. Katso tarkemmat tiedot osoitteesta:

<http://www.compliance.sony.de/>

Tämä tuote on tarkoitettu käytettäväksi seuraavissa maissa: Itävalta, Belgia, Tanska, Suomi, Ranska, Saksa, Kreikka, Irlanti, Italia, Luxemburg, Alankomaat, Portugal, Espanja, Ruotsi, Yhdistynyt kuningaskunta, Islanti, Norja, Sveitsi, Liechtenstein ja Liettua.



- Windows® is a registered trademark of Microsoft Corporation in the United States and other countries.
- All other companies and product names mentioned herein may be the trademarks or registered trademarks of their respective companies. Furthermore, "TM" and "®" are not mentioned in each case in this manual.

Duplication, edition, or printing of a CD, TV programs, copyrighted materials such as pictures or publications, or any other materials except for your own recording or creation is limited to private or domestic use only. Unless you hold copyright or have permission of copyright holders for the materials to be duplicated, use of those materials beyond this limit may infringe the provisions of the copyright law and be subject to the copyright holder's claim for damages. When using photo images with this printer, pay special attention not to infringe the provisions of the copyright law. Any unauthorized use or modification of others' portrait may also infringe their rights. For some demonstrations, performances, or exhibits, photography may be forbidden.

Table of Contents

Reading the Supplied CD-ROM Manual	6	Locations of Parts	50
System Overview	7	Camera	50
System Configuration	7	Printer	54
Printouts that Can Be Made with This System ..	8	Precautions	56
Flash Modes and Examples of Shooting		Safety	56
Conditions	10	Installation	56
Preparations	11	Operation	57
Unpacking	11	Cleaning	57
Preparation of the Camera	11	Batteries	57
Preparation of the Printer	14	Specifications	58
Attaching the Paper Holder	15	Troubleshooting	60
Operation	17	Camera	60
Preparations	17	While Shooting	60
Taking a Picture	18	Liquid Crystal Display of the Camera	60
Printing a Picture	19	Picture Quality	60
Reprinting a Picture Stored in Memory of		Printer	61
the Printer (COPY PRINT)	20	Bluetooth Function	62
Viewing a Picture	21	Battery Charger	62
Deleting a Picture	22		
Protecting a Picture (PROTECT)	23		
Turning Off the Power	24		
Menu	25		
Menu Configuration	25		
Functions of the Menu Items	27		
Various Functions	31		
Using the Camera with Batteries	31		
Setting the Clock (CLOCK)	32		
Setting the Record Resolution			
(RESOLUTION)	33		
Setting the Zoom Range (ZOOM)	34		
Setting the Shooting Conditions	35		
Setting the Print Size to be Displayed			
(PRINT SIZE LIST)	37		
Setting the Frame (FRAME)	38		
Setting Power Save Mode			
(POWER SAVE)	43		
Selecting the Format of the Output Signal			
(VIDEO OUT)	43		
Selecting Sound During Operation			
(SOUND)	44		
Moving a Picture Displayed on a Nine-Picture			
Multiple Display (MOVE)	44		
Locking the Menu of the Camera	45		
Adjusting the Print Quality			
(COLOR ADJUST)	45		
Adjusting the Printing Location (PRINT			
SETTING)	47		
When the Bluetooth Function is Set to OFF ...	47		
Bluetooth	47		
Bluetooth wireless technology	47		
The "Basic Imaging Profile"	47		
Communication between the Camera and Printer			
Using the Bluetooth	48		

Reading the Supplied CD-ROM Manual

The supplied CD-ROM includes manuals for the UPX-C200 (in Japanese, English, French, German, Spanish, Italian, Portuguese, Russian, Chinese, and Korea). The copies of these manuals are created in PDF (Portable Document Format) format.

Preparation

To read the manuals included on the supplied CD-ROM, the Adobe Acrobat Reader is required.

If the Adobe Acrobat Reader is not installed on your computer, you can copy it from the Acrobat folder on the CD-ROM. Install the Adobe Acrobat Reader for the language corresponding to the manual you want to read on your computer.

Caution

Do not play back this CD-ROM using an audio CD player. Doing so may result in damage to your hearing or to the audio equipment due to loud sounds.

CD-ROM System Requirements

The following are required to access the supplied CD-ROM.

- Computer:
 - Intel® Pentium® processor or personal computer equipped with a 100% compatible processor.
 - External or built-in CD-ROM drive
- Operating system: Microsoft® Windows® 95 OSR 2.0, Windows 98, Windows 98 SE, Windows Me, Windows NT® 4.0 (service pack 5 or later), Windows 2000, Windows XP.

Reading the CD-ROM Manual

To read the manual on the CD-ROM, proceed as follows.

- 1 Insert the CD-ROM disc in your CD-ROM drive. The manuals are saved in the Instructions For Use folder.
- 2 Open the folder shown below, and select the manual that you want to read.
 - Basic Instructions
 - Advanced Instructions
 - Utility Instructions

When you use the utility software, the followings are required:

Windows 98 SE, Windows Me, Windows 2000, or Windows XP

For details, refer to the Utility Software Operation Guide.

Trademarks

Intel and Pentium are registered trademarks of Intel Corporation or its subsidiaries in the United States and other countries.

Microsoft, Windows and Windows NT are registered trademarks of Microsoft Corporation in the United States and/or other countries.

Adobe and Acrobat are registered trademarks of Adobe System Incorporated in the United States and/or other countries.

Abbreviations

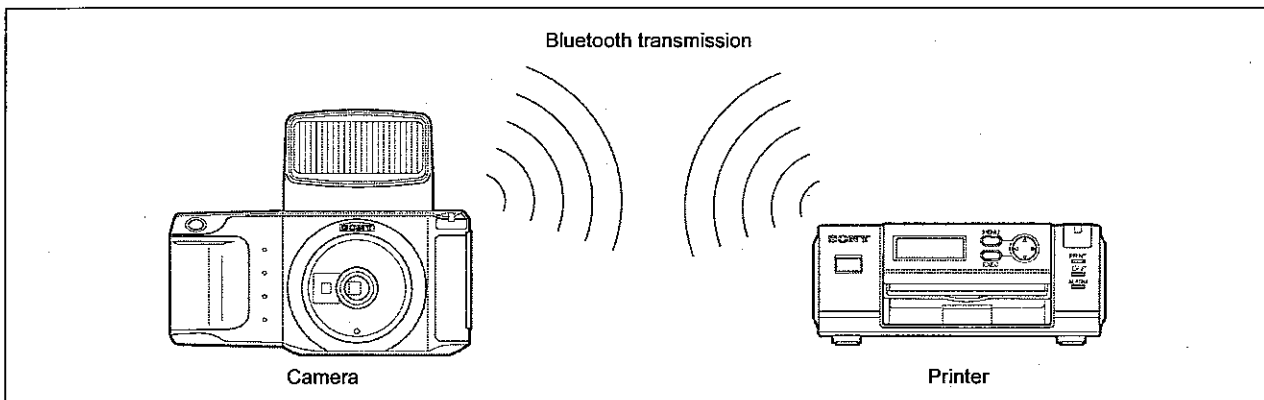
- Microsoft® Windows® 95 operating system is abbreviated to Windows 95.
- Microsoft® Windows® 98 operating system is abbreviated to Windows 98.
- Microsoft® Windows® 98 Second Edition operating system is abbreviated to Windows 98 SE.
- Microsoft® Windows® Millennium Edition operating system is abbreviated to Windows 98 Me.
- Microsoft® Windows NT® 4.0 operating system is abbreviated to Windows NT 4.0.
- Microsoft® Windows® 2000 operating system is abbreviated to Windows 2000.
- Microsoft® Windows® XP operating system is abbreviated to Windows XP.

System Overview

The Sony UPX-C200 digital printing system is designed to allow you to take pictures with a digital camera and to print them on two types of paper: UPC-X46 or UPC-X34. The system adopts Bluetooth wireless technology, which enables communication between the camera and printer without using cables.

System Configuration

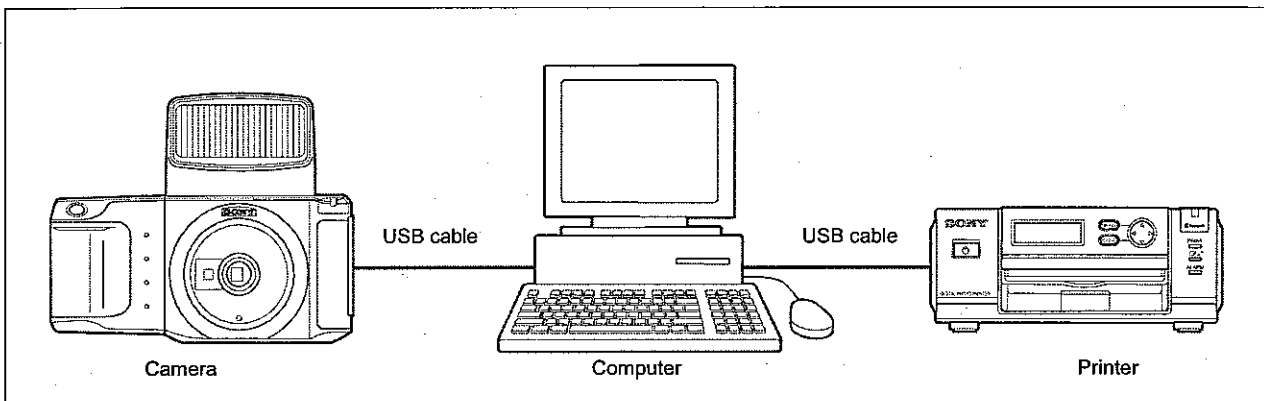
Using the Bluetooth function



You can send images from the camera to the printer without a cable.

For details on the Bluetooth function, see "Bluetooth" on page 47.

Connecting to a computer



Using the utility software stored on the CD-ROM, you can store camera pictures on the computer, read and print the image data stored in the computer. It is also possible to print different images, color images, and black-and-white images, or different sizes of images on a single sheet of print paper.

When using this system with a computer, refer to "Utility Software Operation Guide" on the supplied CD-ROM.

Note

When connecting a computer using a USB cable, depending on the type of computer, normal operation may not be obtained. In such a case, use a commercially available USB hub.

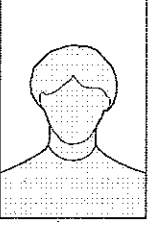
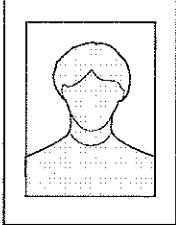
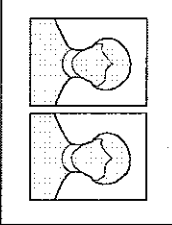
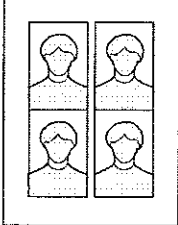
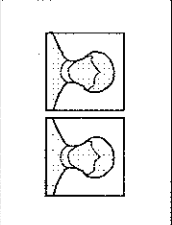
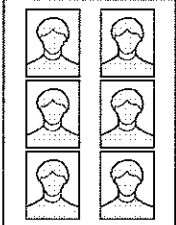
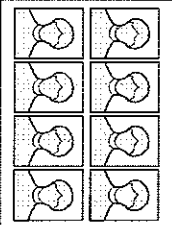
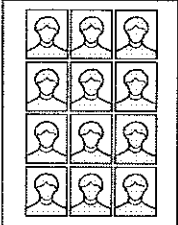
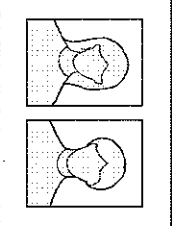
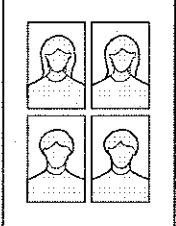
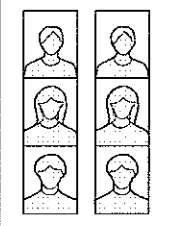
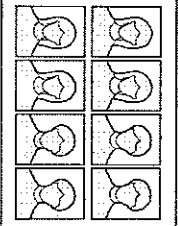
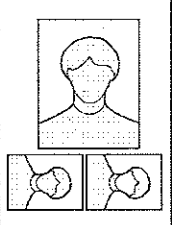
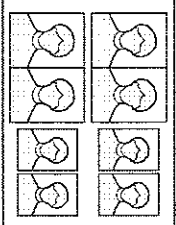
Printouts that Can Be Made with This System

The system can print 22 types of printouts and two types of guide print. When the UPC-X46 is used, all types of printouts are available, while when the UPC-X34 is used, the types that can be printed are limited.

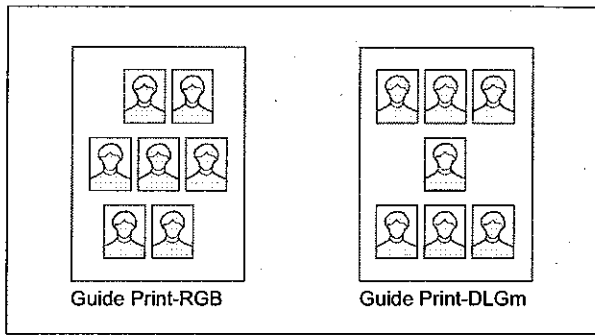
The figures below show the number of images on a single sheet of print paper, and the direction and types of

images. They do not show the exact size to be printed. Under each image, the size number and size is shown. D2, D4, D6, and D8 indicate that there are different types of printouts for the same size, and X46 shows that the size is available only when the UPC-X46 is used.

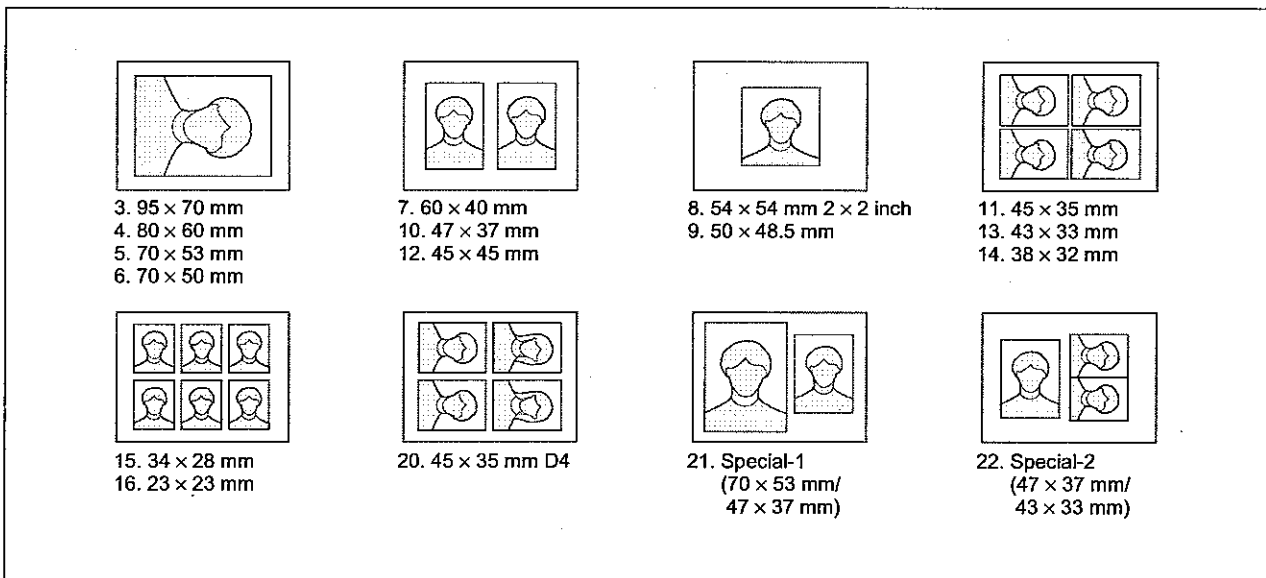
When the UPC-X46 is used

			
1. 151 × 101.6 mm X46 (Size number) (Size)	2. 120 × 90 mm X46 3. 95 × 70 mm	4. 80 × 60 mm 5. 70 × 53 mm 6. 70 × 50 mm	7. 60 × 40 mm 9. 50 × 48.5 mm
			
8. 54 × 54 mm 2 × 2 inch	10. 47 × 37 mm 12. 45 × 45 mm	11. 45 × 35 mm 13. 43 × 33 mm 14. 38 × 32 mm	15. 34 × 28 mm 16. 23 × 23 mm
			
17. 80 × 60 mm D2 X46	18. 60 × 40 mm D4 X46	19. 47 × 37 mm D6 X46	20. 45 × 35 mm D8
			
21. Special-1 (108 × 81 mm/ 47 × 37 mm)	22. Special-2 (47 × 37 mm/ 43 × 33 mm)		

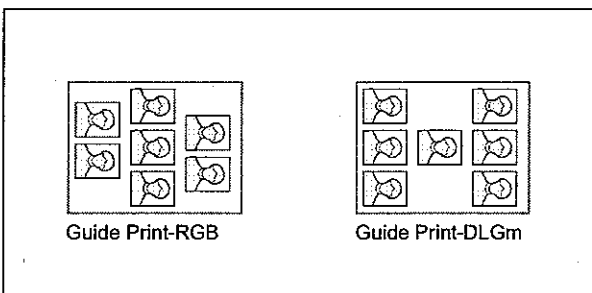
Guide print



When the UPC-X34 is used



Guide print



Flash Modes and Examples of Shooting Conditions

The system offers five types of flash modes. Shooting examples in each mode are introduced here.

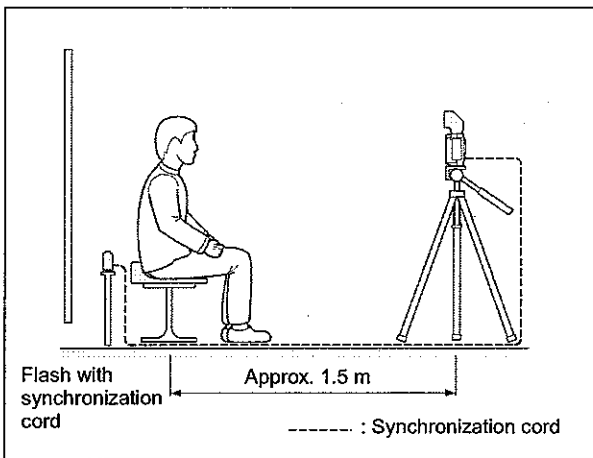
For details on shooting conditions, refer to "Operating Instructions (Advanced Operations)."

Auto flash and auto exposure mode (A)

This is the default mode of the camera, and is suitable for outdoor and indoor portrait shots. When the subject is not bright enough, the flash automatically lights.

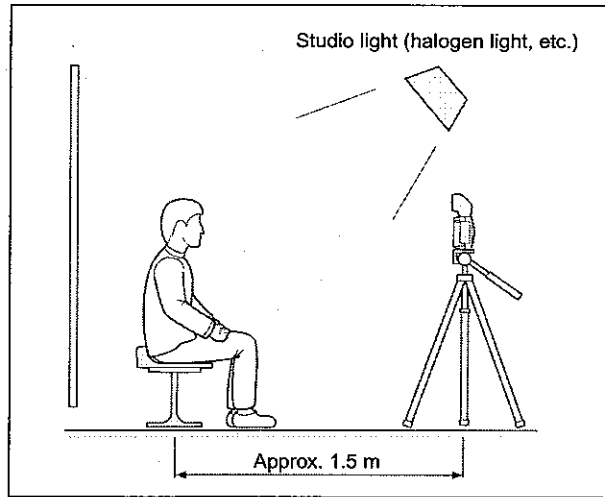
Forced flash and auto exposure mode (F)

The built-in flash lights according to the brightness of the subject. The exposure and shutter speed are automatically adjusted. This mode is suitable for indoor portraits and identification shots using the built-in flash as the main light source and the shadow-clearing flash connected to the camera with a synchronization cord.



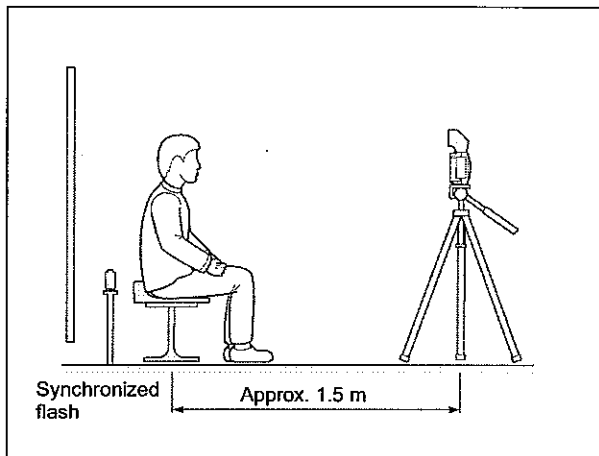
No flash and auto exposure mode (S)

The built-in flash does not light. This mode is suitable for shooting under stable light sources such as studio light, video light, fluorescent light, etc.



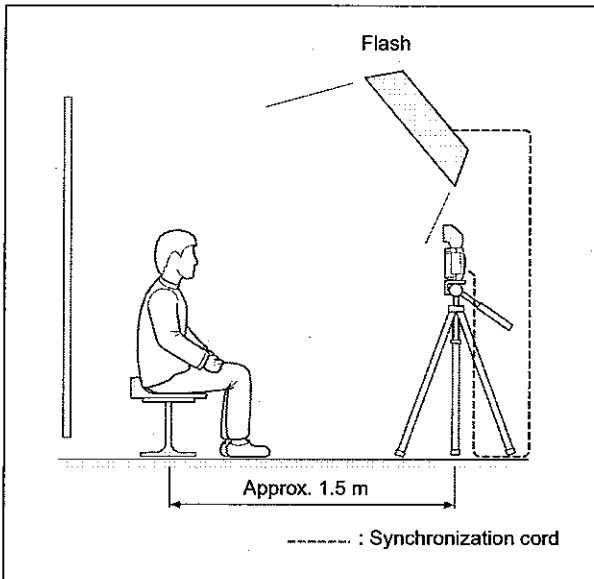
Forced flash and manual exposure mode (M)

The built-in flash lights to illuminate a subject about 1.5 meters away with the optimum brightness. The aperture and shutter speed are manually adjusted. This mode is suitable for indoor portraits and identification shots using the built-in flash as the main light source and the shadow-clearing flash connected to the camera with a synchronization cord.



No flash and manual exposure mode (M[Ⓜ])

This mode does not use the built-in flash, but uses an external flash connected with the synchronization cord, or is suitable for shooting under stable light sources such as studio light, video light, fluorescent light, etc.



Preparations

Unpacking

Make sure that the following accessories are supplied with your system.

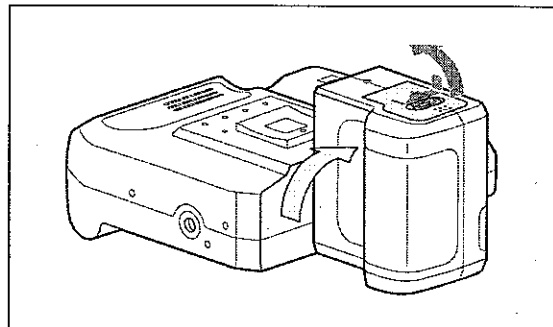
- Paper tray for the UPC-X46 (1)
- Paper tray for the UPC-X34 (1)
- Tray cover (1)
- Paper holders (2)
- AC power cord for printer (1)
- AC power adaptor PCS-AC08 (1)
- AC power cord for the PCS-AC08 (1)
- Batteries NH-AA (4)
- Lithium button battery CR-2025 (1)
- Battery charger (1)
- AC power cord for battery charger (1)
- Cleaning cassette (1)
- CD-ROM (1)
- Operating Instructions (2)
- Software License Agreement (1)

Preparation of the Camera

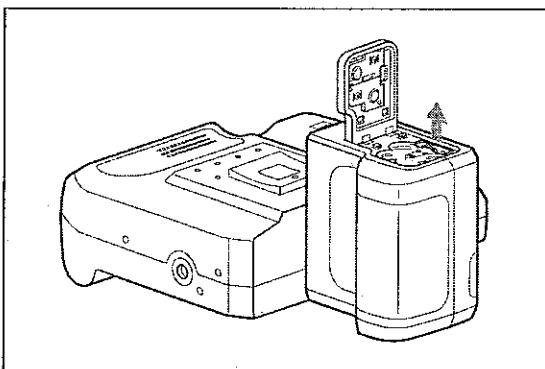
Inserting batteries

Four NH-AA batteries and a lithium button battery CR-2025 are supplied. Insert them as described below.

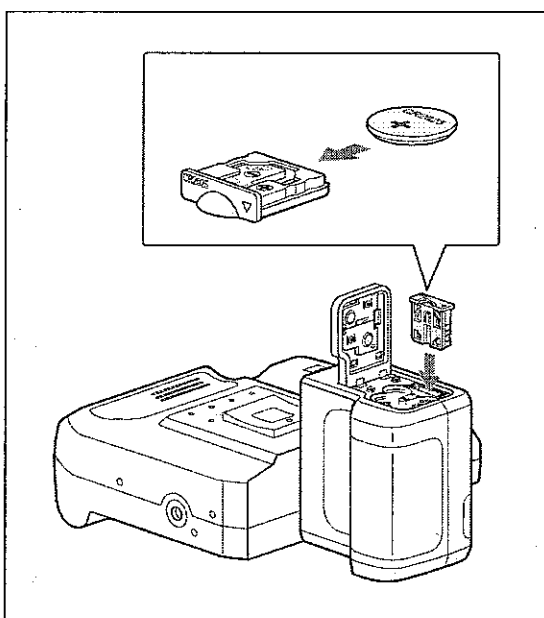
- 1 Open the battery compartment lid on the bottom of the camera by sliding the button to OPEN with the center projection of the button pressed.



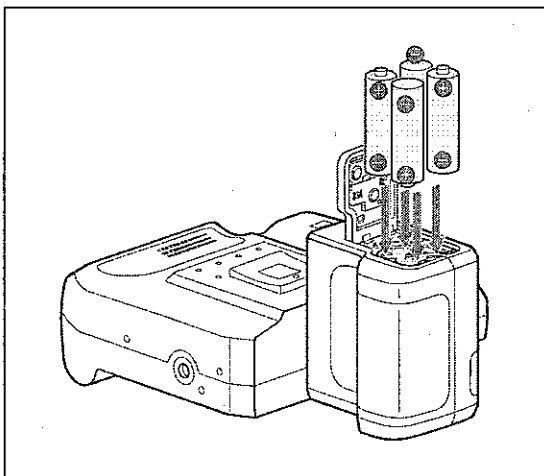
- 2** Pull out the button battery case.



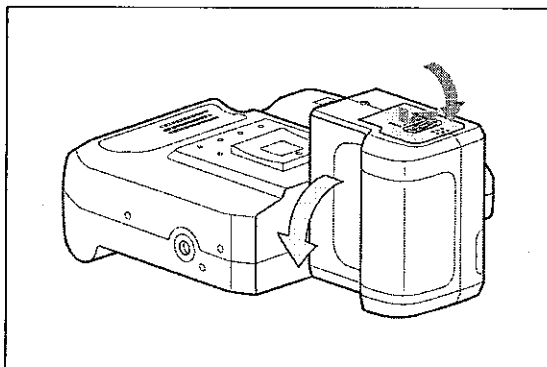
- 3** Install the button battery CR-2025 in its case, and insert the case.



- 4** Insert four NH-AA batteries.



- 5** Close the lid and lock it by sliding the button to CLOSE with the center projection of the button pressed while pushing the lid.



Note on replacing batteries

When replacing batteries, they may drop down if the battery compartment lid faces down. To avoid this, turn the grip so that the lid faces up.

Operating the camera with the batteries

If you operate the camera with the batteries, charge the batteries before use.

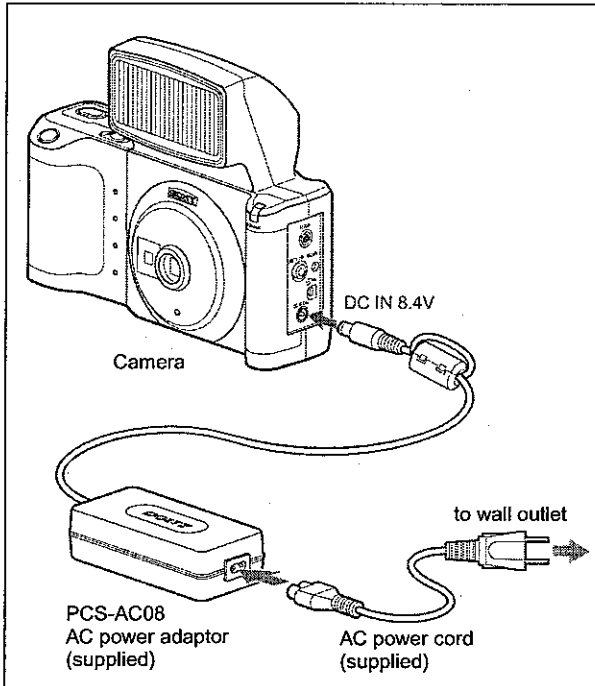
For details on charging the batteries, see "Charging batteries" on page 31.

Role of the button battery

Usually, power is fed from the AC power adaptor or batteries. When the AC power adaptor is unplugged or the batteries run out, the button battery feeds power to the memory to retain the stored settings.

Connecting the camera to a wall outlet

Connect the DC cord of the PCS-AC08 AC power adaptor (supplied) to the DC IN 8.4V jack of the camera. Then connect the AC power adaptor to a wall outlet. Now you can use the camera on AC power. Using an AC power adaptor, you need not worry about the remaining battery power.



Note

Use the AC power adaptor near the wall outlet. If some trouble occurs during operation, immediately disconnect the AC power adaptor from the wall outlet to cut power supply.

Setting the clock, frame, and power save

You can set the date and time, frame, and power save mode on the Setup display that appears on the LCD of the camera.

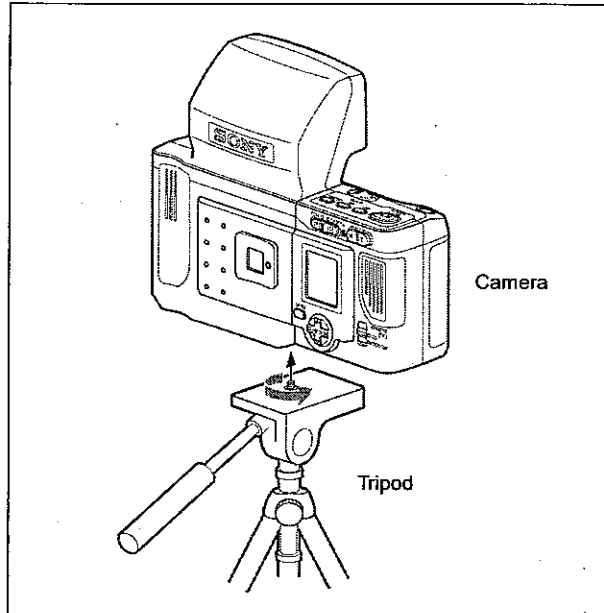
For details on the setting procedures, see "Various Functions" on page 31.

Attaching to a tripod

You can attach the camera to a tripod using the tripod screw hole on the bottom of the camera.

Note

Run in the screw of the tripod and tighten firmly but not with excessive force. If the screw has not been tightened securely, the camera may drop. If too tight, the screw thread may be damaged. Be sure that the screw is run in smoothly, then tighten securely.



Preparation of the Printer

Before using the printer for the first time, you need to install a print cartridge and the paper tray, as indicated below. These preparations are not needed for everyday print operations, but are to be done as required.

Preparing a print pack

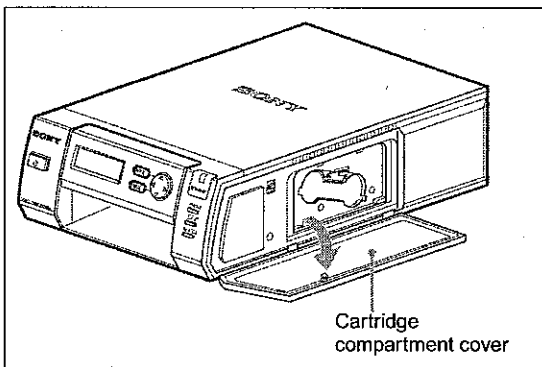
You need an optional printing pack (UPC-X46 or UPC-X34) designed for the printer. The pack contains a set of print paper and a print cartridge.

Notes

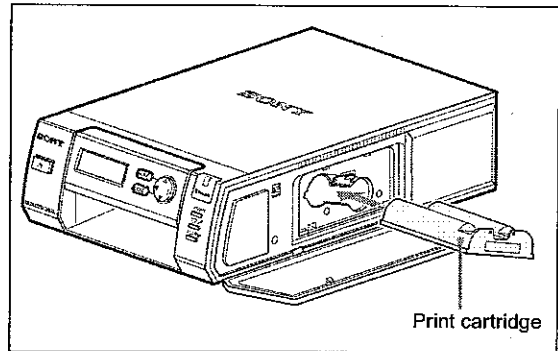
- Do not rewind the ink ribbon and use the rewrapped print cartridge for printing. Otherwise, proper printing result will not be obtained, or even a breakdown may occur.
- Use the printing pack for this printer only.
- Always use the print cartridge designed for the size of the print paper you use. If you mix cartridges and paper of different types or sizes, printing may not be possible, or a paper jam or other trouble may occur.
- Do not print on the used print paper. Printing an image twice on the same paper will not make the printed image thicker. This may even cause a malfunction or breakdown.
- Do not touch the ink ribbon of the print cartridge or the printing surface of the print paper. If there are fingerprints or dust on the printing surface or the ink ribbon, the printing quality may deteriorate.
- For high quality prints, avoid placing the printing pack in locations that are subject to high temperature, high humidity, excessive dust, or direct sunlight.
- When storing a partially used pack of the print cartridge and print paper, store it in its original bag or in a similar container.

Loading the print cartridge

- 1 Push on PUSH OPEN to open the cartridge compartment cover.




- 2 Insert the print cartridge into the cartridge compartment firmly until it clicks into place.

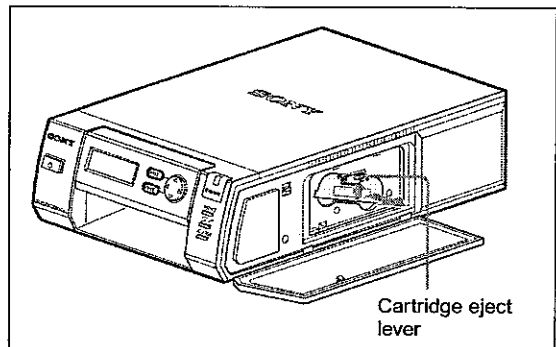


- 3 Close the cartridge compartment cover.

Changing the print cartridge

When the print cartridge runs out, the  lamp lights and an error message appears on the operation display. Replace the print cartridge.

- 1 Push on PUSH OPEN to open the cartridge compartment cover.
- 2 Press up the cartridge eject lever.

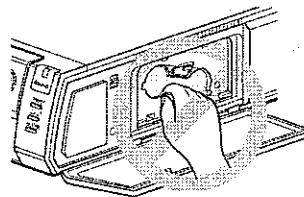


The cartridge pops out. Remove the cartridge.

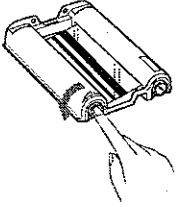
- 3 Insert a new print cartridge, and close the cover.


Notes

- Never put your hand into the cartridge compartment. The thermal head reaches high temperatures, especially after repeated printing.



- Do not rewind the ink ribbon and use the rewind print cartridge for printing. Otherwise, proper printing result will not be obtained, or even a breakdown may occur.
- If the print cartridge does not click into place, remove it and then re-insert it. If the ink ribbon is too slack to be loaded, wind the ink ribbon in the direction of the arrow to remove the slack.



- If the print cartridge is not loaded when you turn on the printer, the  lamp lights up.
- Do not touch the ink ribbon or place the print cartridge in a dusty location. Fingerprints or dust on the ink ribbon may result in imperfect printing.
- Do not change the print cartridge while printing.

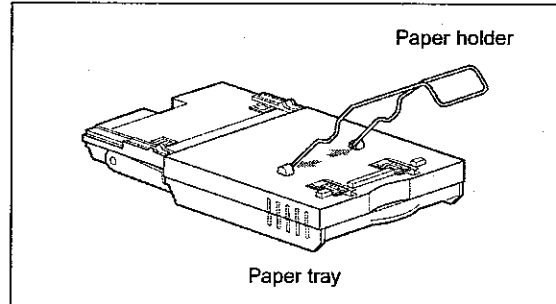
Notes on storing the print cartridge

- Avoid placing the print cartridge in a location subject to high temperatures, high humidity, excessive dust or direct sunlight.
- When you are going to store a partially used cartridge, store it in its original bag.

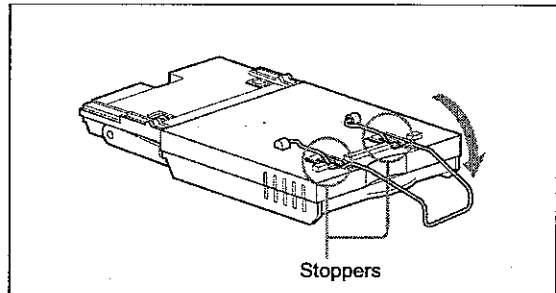
Attaching the Paper Holder

Attach the supplied paper holder to the paper tray as follows:

- 1 Insert the tips of both ends of the paper holder into the holes located at the bottom of the paper tray, pinching the portions near the two ends.

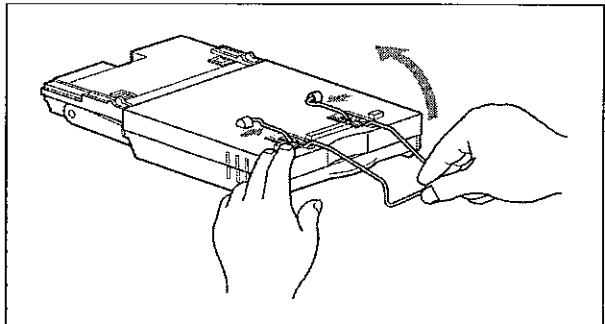


- 2 Push the paper holder into the stoppers firmly until it snaps into place, making a click sound.



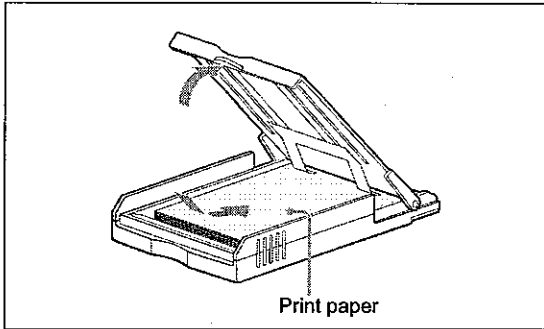
Removing the paper holder

Push out the paper holder gently from the stoppers, and remove it, pinching the portions near the two ends.



Inserting the print paper

- 1 Set the print paper into the tray.



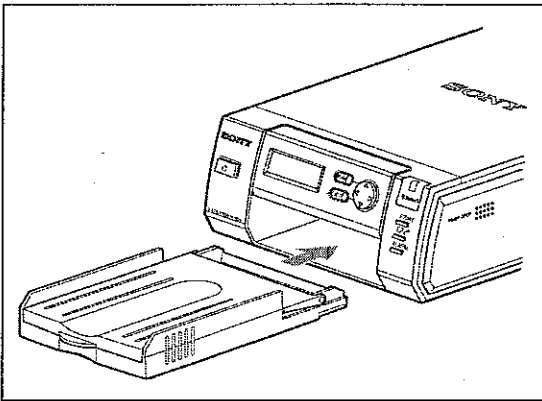
Riffle the print paper. Then insert the print paper with its printing surface (the side with no imprint) facing up and the arrow pointing in the same direction as the arrow in the tray. You can set 25 sheets when the UPC-X46 is used, and 30 sheets when the UPC-X34 is used.

- 2 Remove the protective sheet on the print paper.

Note

Be sure to keep the protective sheet, which is used for cleaning the inside of the printer.


- 3 Insert the tray to the paper tray slot.



Note

Do not touch the printing surface. Fingerprints on the printing surface may result in imperfect printing.

Notes

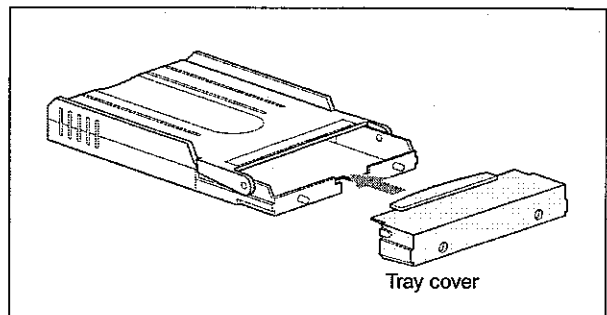
- If print paper does not feed automatically, the  lamp lights. Pull out the paper tray and check for a paper jam.
- When adding print paper to a partially full tray, make sure that the total number of sheets does not exceed 25 for the UPC-X46 or 30 for the UPC-X34. Do not place different types or sizes of paper in the tray. Otherwise, a paper jam or malfunction may occur.
- Do not write or type on the printing surface of the paper before printing. You may not be able to proceed with printing. If you want to write greetings or draw on the printed surface after printing, use an oil ink pen.
- Do not attach stickers or anything else on the printing surface before printing.
- Do not print on the used print paper. Printing an image twice on the same paper will not make the printed image thicker. This may even cause a malfunction or breakdown.
- Before printing, do not fold or bend the print paper.
- Do not leave the ejected printed paper exceeding 10 sheets on the paper tray.

Notes on storing the print paper

- Avoid placing the print paper in a location subject to high temperatures, high humidity, excessive dust or direct sunlight.
- Avoid storing the paper with the printed faces touching each other or in contact with rubber or plastic products including vinyl chloride or plasticizer for an extended period of time; color changes or deterioration of the printed image may occur.
- When you are going to store partially-used print paper, store it in its original bag.

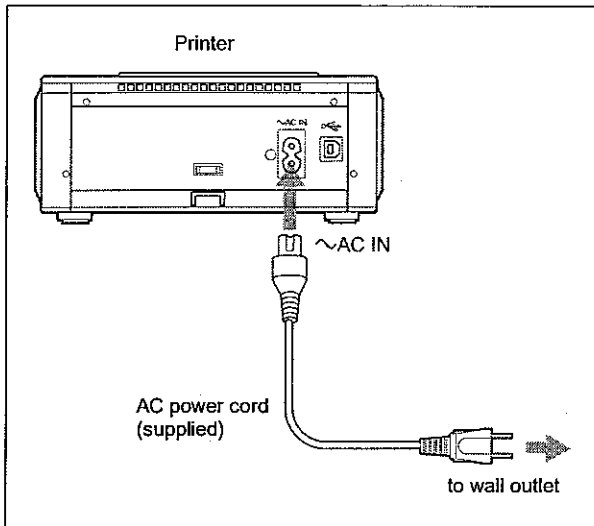
Attaching the tray cover

Keep the supplied tray cover attached to the paper tray when not in use to protect print paper placed in the tray from dust. The tray cover can be attached to either paper tray for the UPC-X46 or for the UPC-X34.



Connecting the printer to a wall outlet

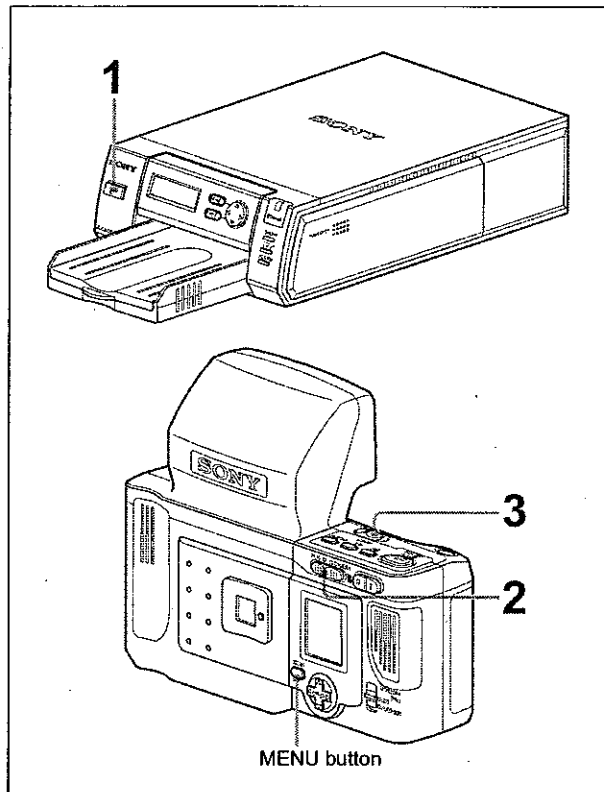
Connect the supplied AC power cord to the AC IN connector of the printer and then to wall outlet.



Operation

This section describes the basic procedures for taking and printing a picture, and also displaying a picture. The system has additional functions, which are described in “Various Functions” on page 31 or in the supplied Operating Instructions (Advanced Operations).

Preparations



- 1 Turn on the printer.

Check that Ready BT RSSI (|||||) appears on the operation display.

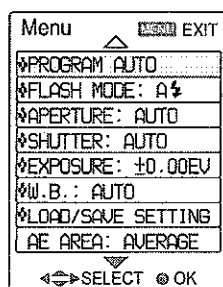
- 2 Set the PLAY/CAMERA switch to CAMERA.
- 3 Set the POWER switch of the camera to ON.

The camera starts searching for the printer, and “DISCOVERING” appears on the LCD. When the camera finds the printer, “DISCOVERED” appears, and the printer name and Bluetooth address are displayed in black on the LCD. If the color of the printer name and Bluetooth address do not change to black but remain in gray, turn the printer and camera off, and perform steps 1 through 3 again.

Press any button on the camera, and the Bluetooth display is turned off, and you can start taking a picture. If the printer name and Bluetooth address are still displayed in gray, and "DISCOVERED" does not appear, refer to the Operating Instructions (Advanced Operations).

Shooting conditions set at the factory

The conditions for taking a picture are set at the factory so that they can be controlled automatically. If they have not been changed, you can check the factory setting by pressing the MENU button then ▼ of the control button as shown below. After checking, be sure to press the MENU button to turn off the Menu display.

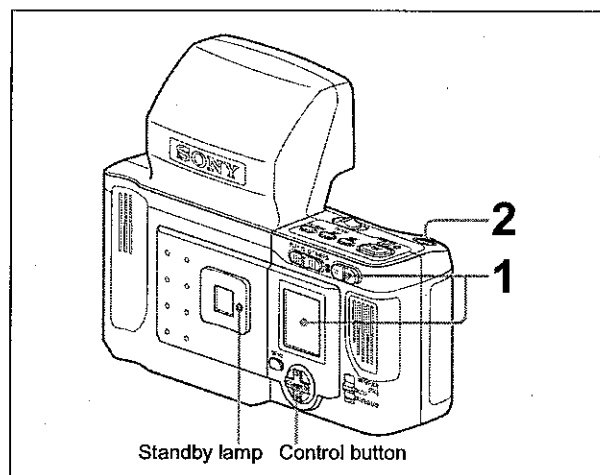


Setting the record resolution

Before starting shooting, it is recommended to set a record resolution appropriate for the print size.

For details on record resolution, see "Setting the Record Resolution (RESOLUTION)" on page 33.

Taking a Picture



- 1 Point the camera at the subject, and adjust the frame by monitoring the LCD of the camera.

Zooming is available for easily adjusting the frame by pressing the zoom lever.

For details, see "Setting the Zoom Range (ZOOM)" on page 34.

You can display the guidelines for adjusting the frame.

For details on the guidelines, see "Setting the Frame (FRAME)" on page 38.

- 2 Press the release button halfway until the green dot appears at the top of the LCD, then press the button the rest of the way.

A picture (quick-review picture) just taken appears on the LCD. The standby lamp starts flashing in red. Once the picture is stored in memory, flashing stops, and the standby lamp lights in green.

If a red dot appears when you press the release button halfway, the picture is not in focus, or the automatic exposure control has failed. Press the release button halfway again.

To print the picture, see "Printing a Picture" on page 19.

To take a new picture, press the release button or zoom lever to turn off the quick-review picture, and then repeat steps 1 and 2.

To delete the picture just taken

You can delete the picture just taken from the memory. Follow the procedures below:

- 1 Press ENTER of the control button.

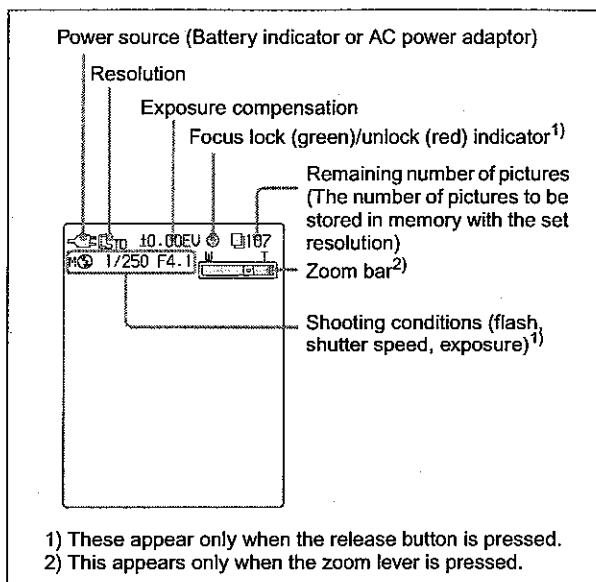
“Delete?” appears.

- 2 Select OK by pressing ▲ of the control button, and press ENTER of the control button.

The picture on the LCD will be deleted.

Display on the LCD in CAMERA mode

An example of the display when the PLAY/CAMERA switch is set to CAMERA is shown below.



Auto focus function

When you press the release button halfway, the auto focus function is activated, and the subject is automatically put in focus. Once the subject is in focus, a green dot appears on the LCD. When you press the button the rest of the way, the shutter is released, and the image is stored in the camera's memory.

If a subject is out of focus, a red dot appears on the LCD. Release the release button, then slowly press the button halfway again. Even if the red dot appears, you can press the release button the rest of the way, and the shutter will be released.

Even if you press the release button fully instead of halfway, the auto focus function will be activated, and you can take a picture.

If SOUND of the SETUP menu is set to SHUTTER or ON, a sound is heard when the release button is pressed halfway and when pressed again the rest of the way.

Note

The auto-focus function may not work properly in any of the situations below:

- The subject lacks enough contrast.
- The subject includes an extremely bright object.
- The subject has no horizontal line.

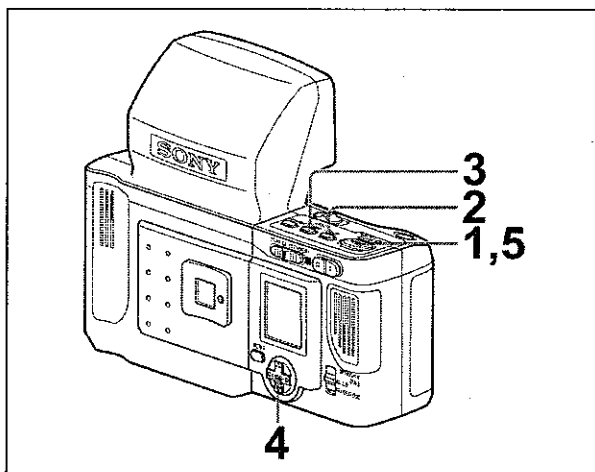
Compensating the exposure

Exposure compensation can easily be obtained by pressing ▲ or ▼ of the control button. When you press the button, the exposure compensation value displayed on the LCD changes.

For details on the exposure compensation, see “Revising the exposure (EXPOSURE)” on page 36.

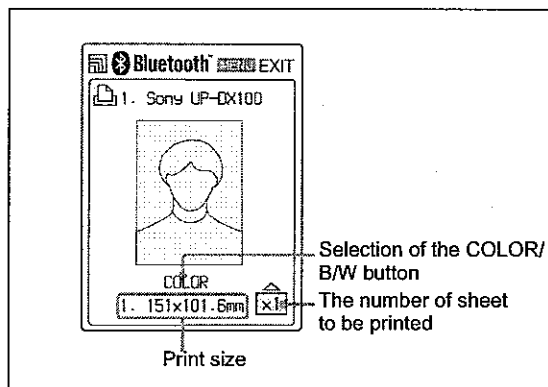
Printing a Picture

The picture just taken can be printed with the procedure below.



- 1 Press the PRINT button.

A layout display appears.



- 2 Select the print size using the SIZE button.

- 1) Press the SIZE button.

The layout display of the currently selected size appears.

- 2) Press the SIZE button repeatedly until the desired size appears.

For details on the size of printouts, see “Setting the Frame (FRAME)” on page 38.

- 3** Select COLOR or B/W by pressing the COLOR/B/W button.
Each time you press the button, the selection is toggled.
COLOR: For printing a picture in color
B/W: For printing a picture in black and white
- 4** Press ▲ or ▼ of the control button to set the number of sheets to be printed.
- 5** Press the PRINT button again.

Picture data are transmitted to the printer, and "TRANSMITTING" appears on the LCD.

When the data have been transmitted, "TRANSMISSION ACCOMPLISHED. TOUCH ANY KEY TO CONTINUE." appears.

The number of picture set in step 4 is printed.

Press any button on the camera, and a quick-review picture appears on the LCD in CAMERA mode, or a picture stored in memory in PLAY mode.

Selection of the print size and COLOR/B/W

You can select the print size and COLOR or B/W before pressing the PRINT button. Press the SIZE or COLOR/B/W button, and press it again while the print size or COLOR or B/W is displayed on the LCD. Then press the PRINT button to print the picture.

Adjusting the quality of a black-and-white picture

When you print a picture by selecting B/W with the COLOR/B/W button, the picture is printed by overlaying yellow, magenta, and cyan, so a perfectly achromatic picture may not be obtained. You can adjust the black tone using the color adjustment function of the printer.

For details on adjustment, refer to the Operating Instructions (Advanced Operations).

Printing a picture stored in the camera's memory

When you take pictures, their data are stored in the camera's memory. To print them, view and select a picture to be printed, then perform the procedures for printing.

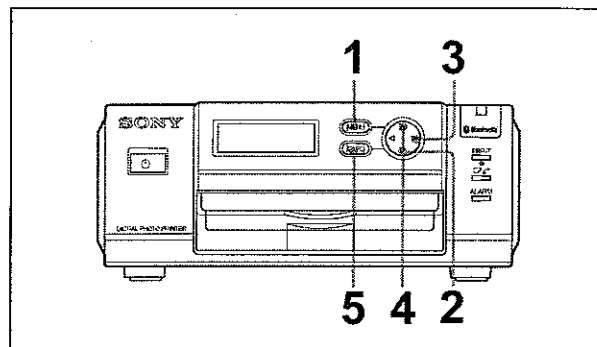
For viewing a picture stored in memory, see "Viewing a Picture" on page 21.

Reprinting a Picture Stored in Memory of the Printer (COPY PRINT)

The data of the last picture printed are stored in memory of the printer. You can reprint the picture.

Note

If you press the standby button, the lamp goes out, and data stored in memory are deleted, and you cannot reprint the picture.



- 1** Press the MENU button.
- 2** Press ▼ of the control button to display "COPY PRINT [>>]."
- 3** Press ► of the control button.
"COPY PRINT: 1 [1-9 PRINT: EXEC]" appears.
- 4** Press ▲ or ▼ of the control button to set the number of sheets to be printed.

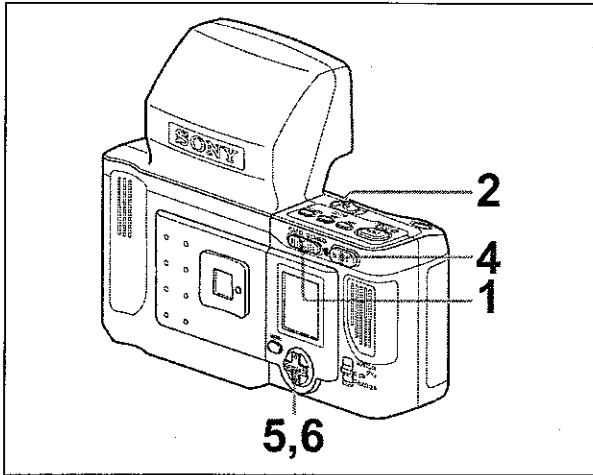
A value from 1 to 9 can be set.
- 5** Press the EXEC button.

The number of pictures set in step 4 is printed.

When printing is completed, the display returns to the Ready display.

Viewing a Picture

You can view pictures stored in memory on the LCD.



- 1 Set the PLAY/CAMERA switch to PLAY.
- 2 Set the POWER switch to ON.
- 3 Press any button to turn off the Bluetooth display.

A picture in memory appears on the LCD.

- 4 Select a picture displayed on the LCD by pressing ◀ or ▶ of the control button.

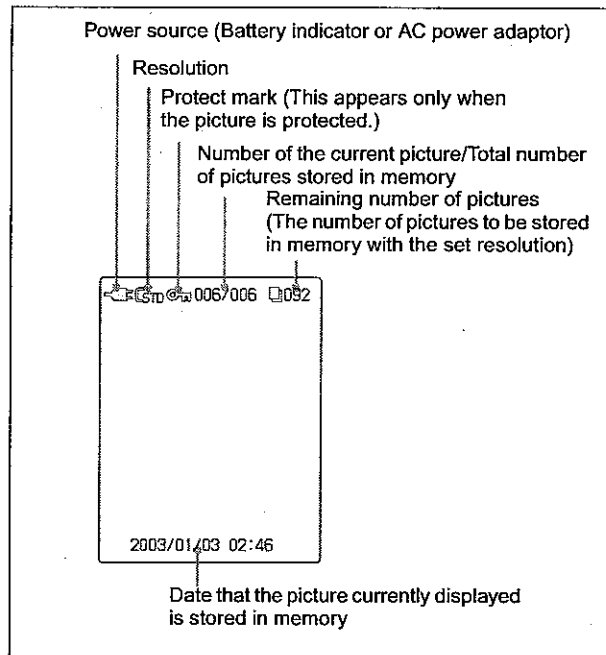
Displaying the nine-picture multiple display

Nine pictures stored in the camera's memory can be displayed at a time on the LCD. Then you can quickly search for a desired picture.

- 1 Press the W side of the zoom lever.
You can see nine pictures stored in camera's memory on the LCD.
- 2 Select a picture by pressing ◀, ▶, ▲ or ▼ of the control button.
- 3 Display a picture by pressing ENTER of the control button or with the T side of the zoom lever.

Display on the LCD in PLAY mode

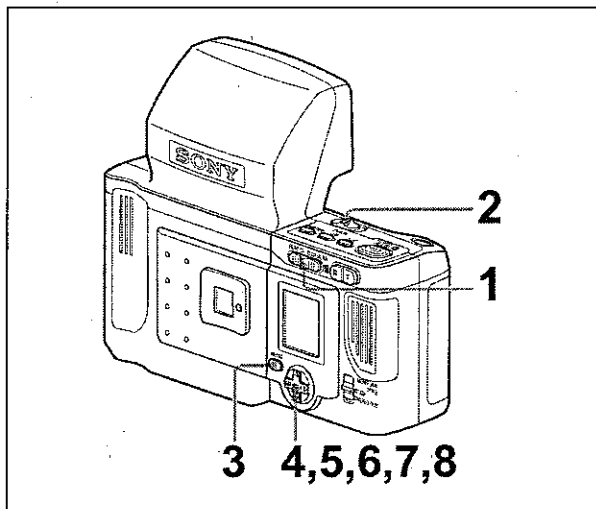
An example of the display when the PLAY/CAMERA switch is set to PLAY is shown below.



Deleting a Picture

Pictures stored in the memory of the camera can be deleted one by one or all at once.

Deleting pictures one by one



- 1 Set the PLAY/CAMERA switch to PLAY.
- 2 Set the POWER switch to ON.
- 3 Press the MENU button twice.
The Menu display appears.
- 4 Select a picture to be deleted by pressing ◀ or ▶ of the control button.
- 5 Select DELETE by pressing ▲ or ▼ of the control button.
- 6 Press ENTER of the control button.
The Delete display appears.
- 7 Select OK by pressing ▲ of the control button.
- 8 Press ENTER of the control button to delete the picture.
The selected picture is deleted from the memory.

To delete the other picture

Repeat steps 4, 7, and 8.

Deleting all pictures

- 1 Set the PLAY/CAMERA switch to PLAY.
- 2 Set the POWER switch to ON.
- 3 Press the MENU button twice.
The Menu display appears.
- 4 Select DELETE ALL by pressing ▲ or ▼ of the control button.
- 5 Press ENTER of the control button.
The Delete All? display appears.
- 6 Select OK by pressing ▲ of the control button.
- 7 Press ENTER of the control button to delete the all pictures.
The all pictures other than those protected are deleted from the memory.

Deleting a picture on the nine-picture multiple display

- 1 Set the PLAY/CAMERA switch to PLAY.
- 2 Set the POWER switch to ON.
- 3 Press the W side of the zoom lever twice.
The nine-picture multiple display appears.
- 4 Press the MENU button.
The Menu display appears.
- 5 Select DELETE by pressing ▲ or ▼ of the control button.
The nine-picture multiple display appears, and the cursor blinks at the currently selected picture.
- 6 Select a picture to be deleted by pressing ◀, ▶, ▲ or ▼ of the control button, and press ENTER of the control button.
The Delete display appears.
- 7 Select OK by pressing ▲ of the control button.
- 8 Press ENTER of the control button.

The picture selected in step 6 is deleted, and the Menu display is retrieved.

To cancel deleting a picture

Select RETURN by pressing ▲ or ▼ of the control button instead of OK on the Delete or Delete All? display, and press ENTER of the control button. The Menu display is retrieved.

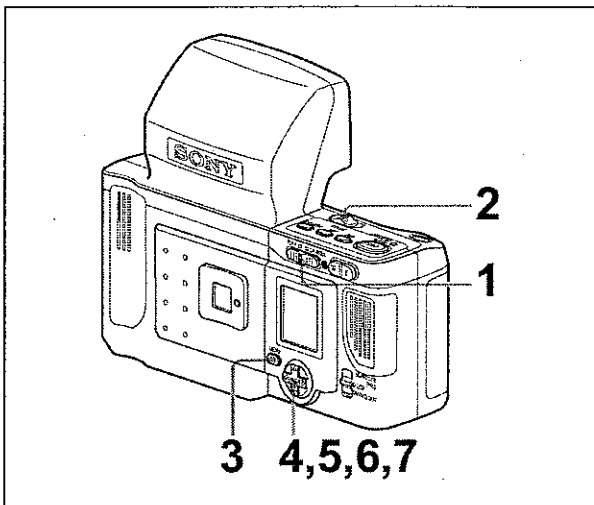
To finish deleting

Press the MENU button.

Protecting a Picture (PROTECT)


To avoid deleting a picture accidentally, a picture protection function is available. You can protect pictures one by one or all at once.

Protecting pictures one by one



- 1 Set the PLAY/CAMERA switch to PLAY.
- 2 Set the POWER switch to ON.
- 3 Press the MENU button twice.
The Menu display appears.
- 4 Select PROTECT by pressing ▲ or ▼ of the control button.
- 5 Press ENTER of the control button.
The Protect display appears.
- 6 Select a picture to be protected by pressing ◀ or ▶ of the control button.

- 7 Check that ON is selected, and press ENTER of the control button.
If not selected, select ON by pressing ▲ of the control button, and press ENTER of the control button.

The protect mark  appears.

To protect the other pictures

Repeat steps 6 and 7 above.

Protecting all pictures

- 1 Set PLAY/CAMERA switch to PLAY.
- 2 Set the POWER switch to ON.
- 3 Press the MENU button twice.
The Menu display appears.
- 4 Select PROTECT ALL by pressing ▲ or ▼ of the control button
- 5 Press ENTER of the control button.
The Protect All display appears.
- 6 Select ON by pressing ▲ of the control button
- 7 Press ENTER of the control button to protect the all pictures.

The protect mark appears.

Protecting a picture on the nine-picture multiple display

- 1 Set the PLAY/CAMERA switch to PLAY.
- 2 Set the POWER switch to ON.
- 3 Press the W side of the zoom lever twice.
The nine-picture multiple display appears.
- 4 Press the MENU button.
The Menu display appears.
- 5 Select PROTECT by pressing ▲ or ▼ of the control button.
The nine-picture multiple display appears, and the cursor blinks at the currently selected picture.

- 6 Select a picture to be protected by pressing the control button, and press ENTER of the control button.

The Protect display appears.

- 7 Check that ON is selected, and press ENTER of the control button.

If ON is not selected, select ON by pressing ▲ of the control button, then press ENTER of the control button.

The protect mark appears on the picture selected in step 6.

- 8 Select RETURN by pressing ▼ of the control button, and press ENTER of the control button.

The picture selected in step 6 is protected, and the Menu display is retrieved.

Retrieving the Menu display

Select RETURN by pressing ▲ or ▼ of the control button on the Protect or Protect All display, and press ENTER of the control button.

To finish setting the protection

Press the MENU button.

Deleting a protected picture

If you wish to delete a protected picture or pictures, release the protection.

- 1 Select a picture whose protection is to be released by pressing ◀ or ▶ of the control button.
- 2 Display the Protect or Protect All display, and select OFF.

For details on displaying the Protect or Protect All display, see "Protecting pictures one by one" on page 23 or "Protecting all pictures" on page 23.

- 3 Press ENTER of the control button, and the protect mark disappears.

The protection is released.

Turning Off the Power

When you finish your operation, set the printer to standby mode, and turn the camera off.

Setting the printer to standby mode

Press the on/standby button, and the lamp goes out, and the printer is set to the standby mode.

Turning the Camera Off

Set the POWER switch to OFF.

The camera stores the latest internal conditions in memory, then the power supply is shut out. During storing, the standby lamp is lit.

Note

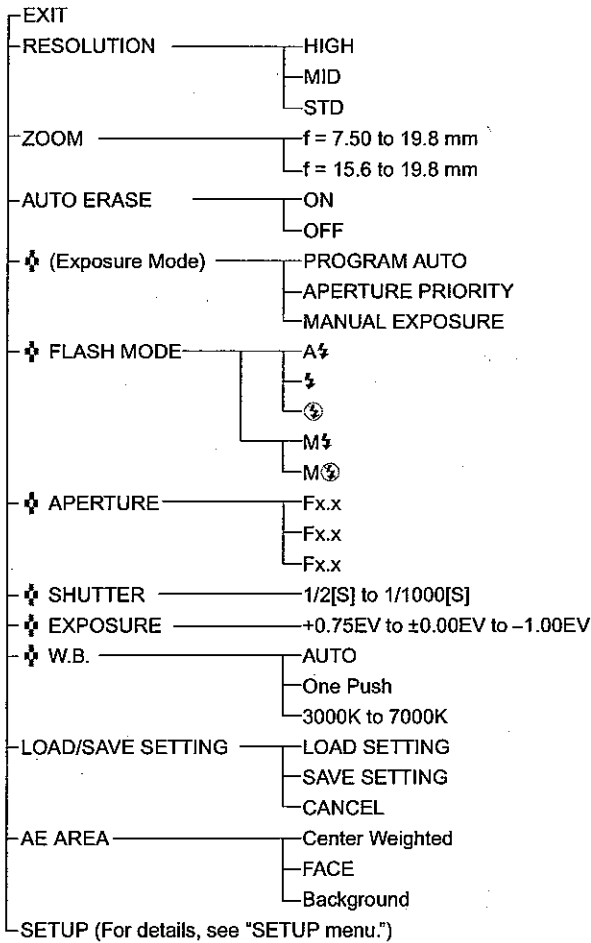
If you shut off the power supply to the camera while the standby lamp is lit, the latest conditions may not be stored in memory. While the standby lamp is lit, do not disconnect the AC power adaptor, or do not remove the inserted batteries. It should also be avoided to turn on and off the camera by connecting and disconnecting the AC power adaptor.

Menu

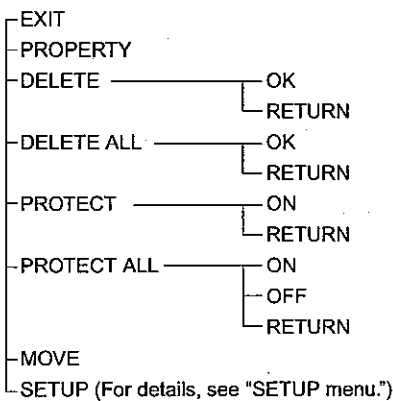
Menu Configuration

Camera

CAMERA mode

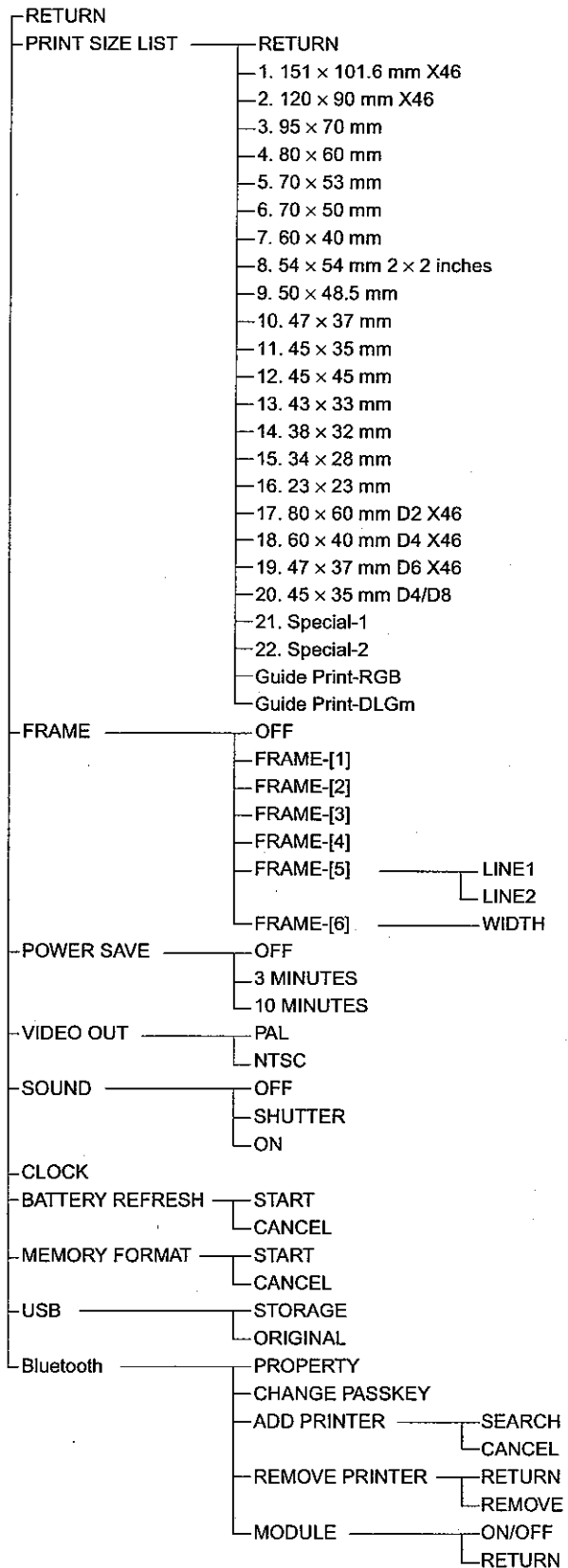


PLAY mode

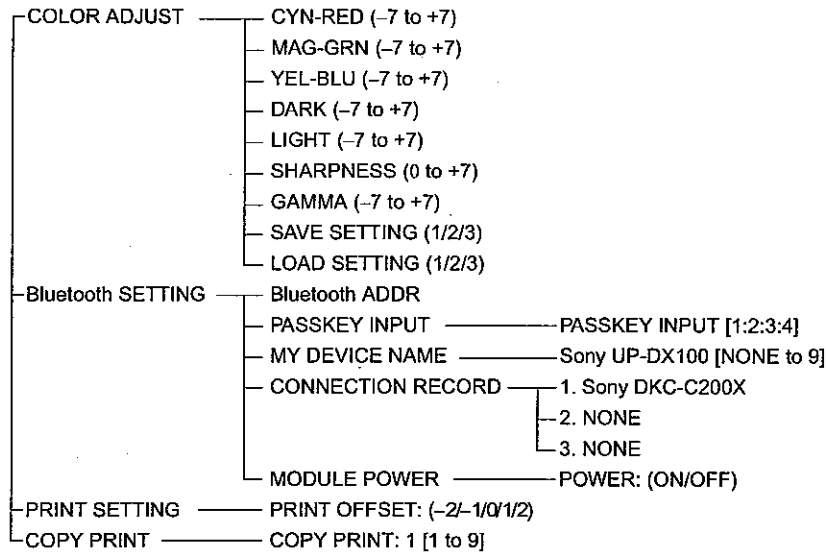


SETUP menu

The SETUP menu is common to CAMERA and PLAY mode.



Printer



Functions of the Menu Items

CAMERA mode

Menu item	Function	Setting
EXIT	To exit Menu mode.	
RESOLUTION	To select the resolution for recording.	Record Resolution HIGH: 2288 × 1712 MID: 1280 × 960 STD: 832 × 624
ZOOM	To select the zoom range.	Zoom Range f=7.50 to 19.8 mm, f=15.6 to 19.8 mm
AUTO ERASE	To select the recording mode.	Auto Erase ON: When memory becomes full, the oldest image is deleted, and a new image is stored in memory. OFF: When memory becomes full, recording stops. (Refer to the Operating Instructions (Advanced Operations).)
❖ (Exposure Mode)	To select the method for controlling exposure.	Exposure Mode PROGRAM AUTO: Exposure is controlled automatically. APERTURE PRIORITY: The aperture setting takes priority for controlling the exposure. MANUAL EXPOSURE: Exposure is controlled manually.
❖ FLASH MODE	To select the flash mode.	Flash Mode A $\frac{1}{2}$: Auto exposure, auto flash $\frac{1}{2}$: Auto exposure, forced flash ☉: Auto exposure, no flash M $\frac{1}{2}$: Manual exposure, forced flash M☉: Manual exposure, no flash
❖ APERTURE	To select the aperture settings. (This selection is available only when Exposure Mode is set to APERTURE PRIORITY or MANUAL EXPOSURE.)	Aperture Setting Aperture values vary depending on the zooming position.
❖ SHUTTER	To select the shutter speed. (This selection is available only when Exposure Mode is set to MANUAL EXPOSURE.)	Shutter Speed (in fractions of a second) 1/2[S], 1/4[S], 1/8[S], 1/15[S], 1/30[S], 1/60[S], 1/100[S], 1/125[S], 1/250[S], 1/500[S], 1/750[S], 1/1000[S]
❖ EXPOSURE	To change the exposure setting.	EV Compensation +0.75EV, +0.50EV, +0.25EV, ±0.00EV, -0.25EV, -0.50EV, -0.75EV, -1.00EV
❖ W.B.	To adjust the white balance.	White Balance AUTO: White balance is adjusted automatically. One Push: White balance is adjusted under the lighting conditions when One Push is selected. 3000K, 3500K, 4000K, 4500K, 5000K, 5500K, 6000K, 6500K, 7000K: White balance is adjusted for the selected color temperature.
❖ LOAD/SAVE SETTING	To store the shooting conditions (FLASH MODE, APERTURE, SHUTTER, EXPOSURE, and W.B.) for each exposure. ❖ mark appears in front of the items to be saved.	LOAD SETTING: The stored shooting conditions are retrieved. SAVE Setting: The shooting conditions are stored. CANCEL: The Menu display is retrieved. (Refer to the Operating Instructions (Advanced Operations).)
AE AREA	To select the area for automatic photometry.	AE Area Center Weighted: Weighting at the center FACE: Face area Background: Upper half of the background (Refer to the Operating Instructions (Advanced Operations).)

SETUP (See "SETUP menu.")

PLAY mode

Menu item	Function	Setting
EXIT	To exit Menu mode.	
PROPERTY	To display the information on the selected image.	
DELETE	To delete a picture stored in memory.	Delete OK/RETURN
DELETE ALL	To delete all pictures except the protected ones stored in memory.	Delete All? OK/RETURN
PROTECT	To set or release the protection of pictures.	Protect ON/RETURN
PROTECT ALL	To set or release the protection of all pictures stored in memory.	Protect All ON/OFF/RETURN
MOVE	Move the picture on the multi-picture display.	
SETUP (See "SETUP menu.")		

SETUP menu

Menu item	Function	Setting
RETURN	To exit SETUP mod, and retrieve the Menu display.	
PRINT SIZE LIST	To select the size shown on the LCD when the SIZE button is pressed.	Print Size RETURN 1. 151 × 101.6 mm X46 2. 120 × 90 mm X46 3. 95 × 70 mm 4. 80 × 60 mm 5. 70 × 53 mm 6. 70 × 50 mm 7. 60 × 40 mm 8. 54 × 54 mm 2 × 2 inches 9. 50 × 48.5 mm 10. 47 × 37 mm 11. 45 × 35 mm 12. 45 × 45 mm 13. 43 × 33 mm 14. 38 × 32 mm 15. 34 × 28 mm 16. 23 × 23 mm 17. 80 × 60 mm D2 X46 18. 60 × 40 mm D4 X46 19. 47 × 37 mm D6 X46 20. 45 × 35 mm D4/D8 21. Special-1 22. Special-2 Guide Print-RGB (Always displayed) Guide Print-DLGm (Always displayed)
FRAME	To select the type of guidelines shown on the LCD.	OFF: No guidelines displayed FRAME-[1]: Displaying Frame 1 FRAME-[2]: Displaying Frame 2 FRAME-[3]: Displaying Frame 3 FRAME-[4]: Displaying Frame 4 FRAME-[5] (LINE1/LINE2): The positions of two horizontal lines are adjustable. FRAME-[6] (WIDTH): The width of two vertical lines is adjustable.

Menu item	Function	Setting
POWER SAVE	To set and releases power save mode.	Power Save OFF: No power save operation 3 MINUTES: For entering the power save mode in three minutes. 10 MINUTES: For entering the power save mode in 10 minutes.
VIDEO OUT	To select the format of the signal output from the VIDEO OUT jack.	Video Out PAL: Supplies a PAL signal (The MONITOR (PAL) switch is enabled.) NTSC: Supplies an NTSC signal
SOUND	To turn on and off the sound with operations.	Sound OFF: No sound SHUTTER: Sounds only when the shutter release or the PRINT button is pressed ON: Sounds for all operations (excluding the zoom lever, PLAY/CAMERA switch, and MONITOR (PAL) switch)
CLOCK	To set the date and time.	Clock Y/M/D, Date, Time OK/RETURN
BATTERY REFRESH	To refresh the NH batteries.	Battery Refresh START: Refreshing of the batteries begins. CANCEL: Refreshing of the batteries is canceled.
MEMORY FORMAT	Formats the built-in memory for image data. Note When you format the memory, all image data, including these for protected ones are deleted.	Memory Format (CAUTION! ALL IMAGES WILL BE DELETED.) START: Formatting of the memory begins. CANCEL: Formatting of the memory is canceled. (Refer to the Operating Instructions (Advanced Operations).)
USB	Selects the USB class.	USB Class STORAGE: For accessing the built-in memory for image data as removable media in storage class. ORIGINAL: For controlling the camera using the supplied driver and utility software. (Refer to the Operating Instructions (Advanced Operations).)
Bluetooth	Sets for the Bluetooth functions.	PROPERTY: Shows the camera's address and passkey, and the list of the registered printers. CHANGE PASSKEY: For changing the passkey, from 0000 to 9999. ADD PRINTER: For registering optional printers up to three REMOVE PRINTER: For removing the registered printer MODULE: For turning ON or OFF the power of the Bluetooth circuit. (Refer to the Operating Instructions (Advanced Operations).)

Printer

Menu item	Function	Setting
COLOR ADJUST	You can adjust the print quality.	<p>CYN-RED: The cyan and the red are adjusted.</p> <p>MAG-GRN: The magenta and the green are adjusted.</p> <p>YEL-BLU: The yellow and the blue are adjusted.</p> <p>DARK: The brightness of a dark area is adjusted.</p> <p>LIGHT: The brightness of a bright area is adjusted.</p> <p>SHARPNESS: The sharpness of edges of objects in a picture is adjusted.</p> <p>GAMMA: The tone of a picture is adjusted.</p> <p>SAVE SETTING (1/2/3): The adjusted values are stored in the built-in memory.</p> <p>LOAD SETTING (1/2/3): The adjusted values stored in memory are loaded.</p> <p>(Refer to the Operating Instructions (Advanced Operations).)</p>
Bluetooth SETTING	You can make Bluetooth settings.	<p>Bluetooth ADDR: The Bluetooth address is displayed.</p> <p>PASSKEY INPUT: A passkey is set or changed.</p> <p>MY DEVICE NAME: The printer can be assigned a number.</p> <p>CONNECTION RECORD: The connection record is displayed.</p> <p>MODULE POWER: The power of the Bluetooth circuits is turned on or off.</p> <p>(Refer to the Operating Instructions (Advanced Operations).)</p>
PRINT SETTING	The printing location on print paper of the UPC-X46 is fine-adjusted.	<p>PRINT OFFSET (-2/-1/0/1/2)</p> <p>The printing location can be shifted by 0.5 mm.</p>
COPY PRINT	The newest picture stored in memory is reprinted.	<p>[1 - 9]</p> <p>The number of sheets to be printed is set.</p>

Various Functions

Using the Camera with Batteries

You can operate the camera with the inserted NH-AA batteries. To use the camera with the batteries, charge the batteries using the supplied battery charger. The batteries may not be fully charged when they are used for the first time or they have not been used for a long period of time. In such a case, repeat charging and discharging a few times.

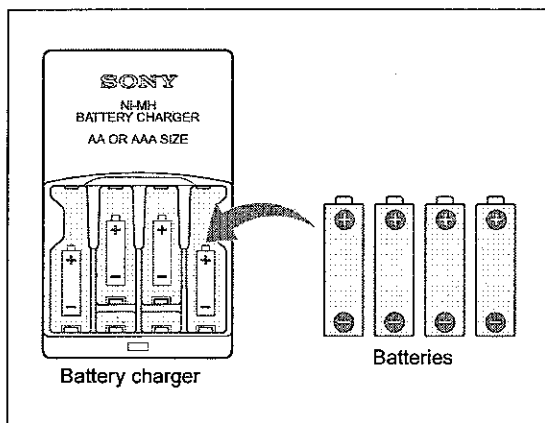
For details on discharging, see "Refreshing batteries" on page 31.

Notes

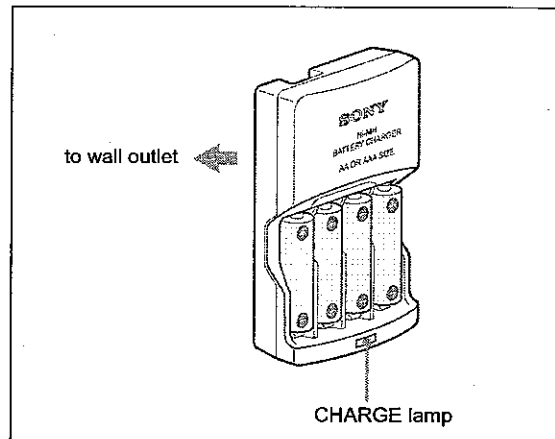
- Operation time of the batteries varies according to the temperature and operating conditions. It is recommended to use fully charged batteries or an AC power adaptor to shoot pictures securely.
- If the remaining power of the batteries is low, the period for charging the built-in flash becomes long, and the LCD is turned off during charging to increase the charging speed.

Charging batteries

- 1 Put the batteries in the battery charger with the correct polarity.



- 2 Connect the battery charger to the wall outlet.



The CHARGE lamp lights, and charging begins. It takes about 230 minutes to charge four batteries. When the batteries are fully charged, the CHARGE lamp goes out.

- 3 Disconnect the battery charger from the wall outlet, and remove the batteries.

Notes

- Do not charge batteries other than the NH batteries. Otherwise the batteries may be damaged.
- Insert the batteries firmly.
- When charging batteries that have not been used for a long period of time, charging may stop before they are fully charged. In such a case, disconnect the battery charger from the wall outlet, and reconnect it to start charging again. Then the batteries may be fully charged.
- Charge batteries that are used out.
- Charge the batteries in a place with an ambient temperature between 10°C and 30°C (50°F to 86°F).
- Be sure to connect the battery charger securely.
- Do not insert or remove batteries with the battery charger connected to the wall outlet.
- The battery charger and batteries may become hot during charging, but this is not a malfunction
- After charging batteries, they become very hot. Be careful about touching them.
- During charging, a TV, radio or tuner may receive noise. In such a case, use a wall outlet far from the TV, radio or tuner.

Refreshing batteries

Batteries installed in the camera can be refreshed with the procedures below.

- 1 Display the Setup display.

For details on displaying the Setup display, see "Displaying the Setup display" on page 32.

2 Select BATTERY REFRESH by pressing ▲ or ▼ of the control button.

3 Press ENTER of the control button.

The Battery Refresh display appears.

4 Select START by pressing ▲ of the control button.

5 Press ENTER of the control button.

Refreshing batteries begins.

To stop refreshing batteries

Select CANCEL instead of START in step 4, and press ENTER of the control button.





Battery refresh function

The battery refresh function can avoid the batteries from memory effects¹⁾ by discharging batteries that are not drained completely. The shortened operating period of batteries can be corrected. Refreshing is recommended when the operating period of batteries becomes short.

1) Memory effects: If a rechargeable battery is discharged and charged repeatedly without being discharged completely, the power is temporarily lowered, and the operating period may be shortened on some devices. This is a passing phenomenon, and discharging a battery completely can restore the operating period. How the memory effect actually affects operation varies among different devices.

Battery power indicator

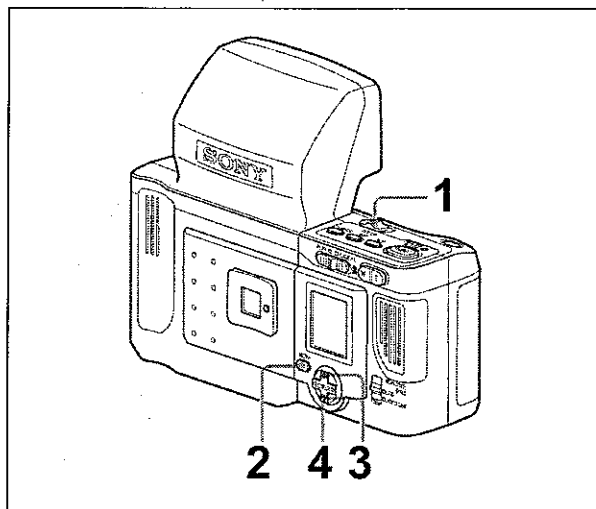
Battery power is indicated on the LCD of the camera. The remaining level is indicated in four levels. Check the indicator and charge the battery as necessary.

Indicator	Meaning
	The remaining power is more than 2/3.
	The remaining power is between 2/3 and 1/10. Hav spare charged batteries ready or AC power adaptor.
	The remaining power is less than 1/10. Replace the batteries with charged ones or use the AC power adaptor.
	The batteries are drained of power. The camerawill not work. Replace the batteries with charged ones or use the AC power adaptor. If you press the release button, the indicator blinks to indicate that shooting is disabled.

Setting the Clock (CLOCK)

The date and time are set on the SETUP menu.

Displaying the Setup display



1 Set the POWER switch to ON.

2 Press the MENU button twice.

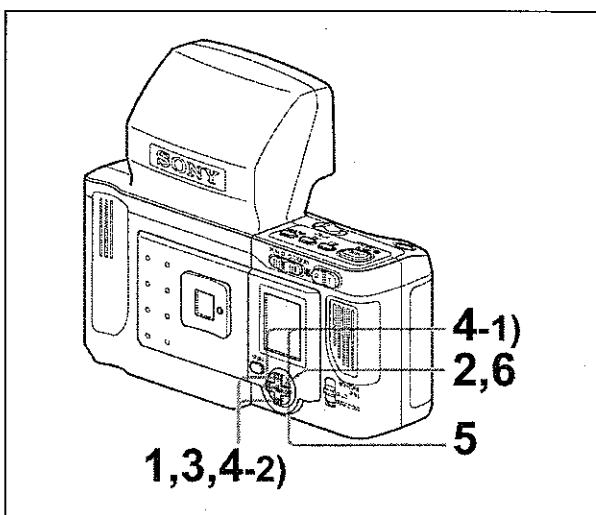
The Menu display appears.

3 Select SETUP by pressing ▲ or ▼ of the control button.

4 Press ENTER of the control button.

The Setup display appears.

Setting the date and time



1 Select CLOCK by pressing ▲ or ▼ of the control button on the Setup display.