

SONY[®]

BRAVIA
Wireless Link

Reference Guide

The Reference Guide contains troubleshooting, specification and safety related information.

DMX-WL1

© 2008 Sony Corporation

Owner's Record

The model, serial numbers and the date of manufacture are written on the rating labels. They are located at the bottom of the transmitter and the receiver.

Record these numbers in the spaces provided below. Refer to them whenever you call upon your Sony dealer regarding this product.

	Transmitter	Receiver
Model No.	<u>DMX-WL1T</u>	<u>DMX-WL1R</u>
Serial No.	_____	_____

WARNING

To reduce the risk of fire or electric shock, do not expose the equipment to rain or moisture.



This symbol is intended to alert the user to the presence of uninsulated "dangerous voltage" within the product's enclosure that may be of sufficient magnitude to constitute a risk of electric shock to persons.

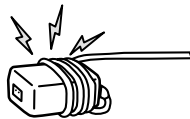


This symbol is intended to alert the user to the presence of important operating and maintenance (servicing) instructions in the literature accompanying the appliance.

The equipment shall not be exposed to dripping or splashing and no objects filled with liquids, such as vases, shall be placed on the equipment.

Do not install this equipment in a confined space, such as a bookshelf or similar unit.

- Please ensure that the wall outlet is installed near the equipment and shall be easily accessible.
- Be sure to use the supplied AC power adapter and power cord.
- Do not use any other AC power adapter. It may cause a malfunction.
- Connect the AC power adapter to an easily accessible wall outlet.
- Do not coil the AC power cord around the AC power adapter. The core wire may be cut and/or it may cause a malfunction of the equipment.
- Do not touch the AC power adapter with wet hands.
- If you notice an abnormality in the AC power adapter, disconnect it from the wall outlet immediately.
- The set is not disconnected from the AC power source as long as it is connected to the wall outlet, even if the set itself has been turned off.



CAUTION

To prevent electric shock, do not use this polarized AC plug with an extension cord, receptacle or other outlet unless the blades can be fully inserted to prevent blade exposure.

Declaration of Conformity

Trade Name: SONY
Model: DMX-WL1
Responsible Party: Sony Electronics Inc.
Address: 16530 Via Esprillo San Diego,
CA 92127 U.S.A.
Telephone Number: 858-942-2230

This equipment complies with part 15 of the FCC rules. Operation is subject to the following two conditions: (1) This equipment may not cause harmful interference, and (2) this equipment must accept any interference received, including interference that may cause undesired operation.

NOTIFICATION

This equipment has been tested and found to comply with the limits for a Class B digital equipment, pursuant to Part 15 of the FCC Rules. These limits are designed to provide reasonable protection against harmful interference in a residential installation. This equipment generates, uses and can radiate radio frequency energy and, if not installed and used in accordance with the instructions, may cause harmful interference to radio communications. However, there is no guarantee that interference will not occur in a particular installation. If this equipment does cause harmful interference to radio or television reception, which can be determined by turning the equipment off and on, the user is encouraged to try to correct the interference by one or more of the following measures:

- Reorient or relocate the receiving antenna.
- Increase the separation between the equipment and receiver.
- Connect the equipment into an outlet on a circuit different from that to which the receiver is connected.
- Consult the dealer or an experienced radio/TV technician for help.

Pursuant to FCC regulations, you are cautioned that any changes or modifications not expressly approved in this manual could void your authority to operate this equipment.

For Customers in Canada

This Class B digital apparatus complies with Canadian ICES-003.

Trademark Information

"BRAVIA" and BRAVIA are trademarks of Sony Corporation.

PLAYSTATION is a registered trademark and "PS3" is a trademark of Sony Computer Entertainment Inc.

HDMI

This equipment incorporates High-Definition Multimedia Interface (HDMI™) technology. HDMI, the HDMI logo and High-Definition Multimedia Interface are trademarks or registered trademarks of HDMI Licensing, LLC.

This product incorporates copyright protection technology that is protected by U.S. patents and other intellectual property rights. Use of this copyright protection technology must be authorized by Macrovision corporation, and is intended for home and other limited consumer uses only unless otherwise authorized by Macrovision. Reverse engineering or disassembly is prohibited.

Important Safety Instructions

- 1) Read these instructions.
- 2) Keep these instructions.
- 3) Heed all warnings.
- 4) Follow all instructions.
- 5) Do not use this equipment near water.
- 6) Clean only with dry cloth.
- 7) Do not block any ventilation openings. Install in accordance with the manufacturer's instructions.
- 8) Do not install near any heat sources such as radiators, heat registers, stoves, or other equipment (including amplifiers) that produce heat.
- 9) Do not defeat the safety purpose of the polarized or grounding-type plug. A polarized plug has two blades with one wider than the other. A grounding type plug has two blades and a third grounding prong. The wide blade or the third prong are provided for your safety. If the provided plug does not fit into your outlet, consult an electrician for replacement of the obsolete outlet.
- 10) Protect the power cord from being walked on or pinched particularly at plugs, convenience receptacles, and the point where they exit from the equipment.
- 11) Only use attachments/accessories specified by the manufacturer.
- 12) Use only with the cart, stand, tripod, bracket, or table specified by the manufacturer, or sold with the equipment. When a cart is used, use caution when moving the cart/equipment combination to avoid injury from tip-over.



- 13) Unplug this equipment during lightning storms or when unused for long periods of time.
- 14) Refer all servicing to qualified service personnel. Servicing is required when the equipment has been damaged in any way, such as power-supply cord or plug is damaged, liquid has been spilled or objects have fallen into the equipment, the equipment has been exposed to rain or moisture, does not operate normally, or has been dropped.

USE

AC power cord and other cables

If you damage the AC power cord or other cables, it may result in a fire or an electric shock. If the AC power cord or any other cables is damaged, stop using it at once and contact the Sony service center.

- Do not place the equipment where the power cord and cables are subject to wear or abuse.
- Do not pinch, bend, or twist the cord excessively. The core lines may be bared and cut, and cause a short-circuit, resulting in a fire or an electric shock.
- Do not convert or damage the power cord and cables.
- Do not allow anything to rest on or roll over the power cord and cables.
- Do not pull the power cord and cables.
- Do not move the equipment with the power cord and cables plugged in.
- Keep the power cord and cables away from heat sources.
- Be sure to grasp the plug when disconnecting the power cord and cables.
- Do not place the equipment in an area where the cables may become entangled and catch on your feet or hands.

Wall outlet

Do not use a poor fitting outlet. Insert the plug fully into the outlet. If it is loose, it may cause arcing and result in a fire. Contact your electrician to have the outlet changed.



Cable wiring

For your safety, unplug the AC power cord when wiring cables. Take care not to catch your feet on the cables. It may damage the equipment.

Electric shock

Do not touch the AC power cord or the equipment with a wet hand. If you plug/unplug the AC power cord from the equipment with a wet hand, it may cause electric shock.



Lightning

For added protection for this equipment during a lightning storm, or when it is left unattended and unused for long periods of time, unplug it from the wall outlet. This will prevent damage to the equipment due to lightning and power line surges.

Small accessories

Keep small accessories out of children's reach. Use only the specified accessories with this product.

CLEANING

- Clean the AC power plug regularly.
- If the plug is covered with dust and it picks up moisture, its insulation may deteriorate and result in a fire.
- Unplug the AC power cord when cleaning this equipment. If not, it may result in electric shock.



Clean the casing of the equipment with a dry soft cloth. Stubborn stains may be removed with a cloth slightly moistened with a solution of mild soap and warm water. Never use strong solvents such as thinner or benzine for cleaning.

- If using a chemically pretreated cloth, please follow the instruction provided on the package.
- Dust the ventilation holes with a dry cloth.

VENTILATION

The holes on the side of the equipment are provided for necessary ventilation. To ensure reliable operation of the equipment, and to protect it from overheating, these ventilation holes must never be blocked or covered.

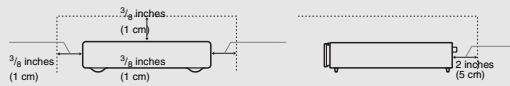
Unless proper ventilation is provided, the equipment may gather dust and get dirty. For proper ventilation, observe the following:

- Never block the ventilation holes by placing the equipment on a bed, sofa, rug or other similar surface.
- Never place the equipment in a confined space, such as a bookcase or built-in cabinet, unless proper ventilation is provided.

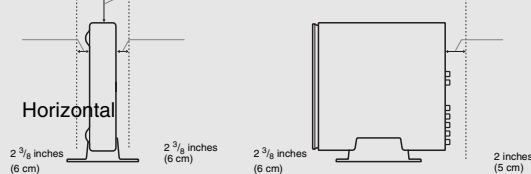
Horizontal
Leave a 3/8 inch space around the equipment as shown below. Otherwise, air-circulation may be inadequate and cause overheating, which may cause a fire or damage to the equipment.

Transmitter

Vertical

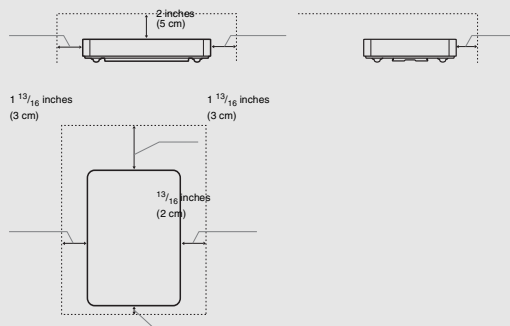


Horizontal



Receiver

Wall-mounting



Objects and ventilation holes

Never push objects of any kind into the equipment through the ventilation holes as they may touch dangerous voltage points or short out parts that could result in a fire or an electric shock. Never spill liquid of any kind on the equipment.

Do not place any objects on the equipment.

INSTALLATION

- The equipment should be installed near an easily accessible power outlet.
- Do not install the equipment in a hot or humid place, or in a place subject to excessive dust or greasy vapor.
- 4** Avoid operating the equipment at temperatures below 41°F (5°C).
- When mounted to the back of the TV, do not use the equipment as a handle to pick up the TV set.
- Make sure that the cord and connected cables are placed so that tripping or stumbling may be avoided.

- Do not move the TV using the receiver as a handle.

SERVICING

Damage requiring service

If the surface of the equipment cracks, do not touch the equipment until you unplug the AC power cord.

Otherwise electric shock may result.

Servicing

Do not attempt to service the equipment yourself since opening the cabinet may expose you to dangerous voltage or other hazards. Refer all servicing to qualified service personnel.

Replacement parts

When replacement parts are required, be sure to have the service technician certify in writing that he/she has used replacement parts specified by the manufacturer that have the same characteristics as the original parts.

Unauthorized substitutions may result in a fire, an electric shock or other hazards.



Safety check

Upon completion of any service or repairs to the equipment, ask the service technician to perform routine safety checks (as specified by the manufacturer) to determine that the equipment is in safe operating condition, and to so certify. Should the equipment not be repairable, ask a qualified service technician to dispose of the equipment.

For Customers in Canada

To prevent radio interference to the licensed service, this equipment is intended to be operated indoors and away from windows to provide maximum shielding. Equipment (or its transmit antenna) that is installed outdoors is subject to licensing.

Pour empêcher que cet appareil cause du brouillage au service faissant l'objet d'une licence, il doit être utilisé à l'intérieur et devrait être placé loin des fenêtres afin de fournir un écran de blindage maximal. Si le matériel (ou son antenne d'émission) est installé à l'extérieur, il doit faire l'objet d'une licence.

For Customers in U.S.A.

FCC Part15E Cautions sentence

Only use this wireless equipment indoors.

Radio-Frequency Exposure Statement

This equipment complies with FCC / IC radiation exposure limits set forth for an uncontrolled environment.

This equipment should be installed and operated with minimum distance 20cm between the radiator and your body (excluding extremities: hands, wrists and feet).

This transmitter must not be co-located or operating in conjunction with any other antenna or transmitter.

Contents

Important Safety Instructions 3

Overview

Welcome to the World of Wireless Link® 6
Optimal Environment for Placement of the Units 6
Checking Accessories 6
Overview of the Button, Parts and Indicators 7
 Receiver Unit 7
 Transmitter Unit 8
Overview of the Remote Control 10
 Remote Control for TV 10
 Remote Control for Transmitter Unit and External Equipment 11

Using the Setup Menu

Setup Description 13
 IR Blaster 13
 Language 13
IR Code List 14

Other Information

Attaching the Transmitter Unit Stand 16
Attaching the Receiver Unit 16
 Attaching the Receiver Unit to the Rear of the TV 16
 Place the Receiver Unit Stand-alone Near the TV 17
 Installing the Receiver Unit on the Wall 18
Specifications 19
Troubleshooting 20

Confirm



Startup Guide (separate volume)
The Startup guide explains how to connect, setup and use your wireless link.



Customer Support
<http://www.sony.com/tvsupport>
On-line Registration
United States
<http://productregistration.sony.com>
Canada
<http://www.SonyStyle.ca/registration>

Overview

Welcome to the World of Wireless Link®

Thank you for purchasing this Sony BRAVIA® Wireless Link. This product provides the capability to transmit uncompressed HD video and audio from your AV sources to your compatible BRAVIA HDTV, wirelessly.

You can use the supplied remote control to operate your TV as well as your connected equipment. The Wireless Link supports connection for up to four HDMI equipment and 1 component equipment.

Optimal Environment for Placement of the Units

Follow the suggestions below to create an optimal environment for your new Sony Wireless Link. Proper placement of the receiver and transmitter units will ensure a strong Wireless LINK LEVEL for superior performance.

- Use one system per room, placing the transmitter and receiver units for each system in the same room.
- If you use a 5 GHz WLAN or cordless phone, place those in a different room.
- Do not place either unit on a metallic rack.
- Place the transmitter unit as high up as possible.
- Maximum operating distance is approximately 20 m or 65 feet, depending on the environment.

Checking Accessories

After unpacking, check that all the following items have been included:

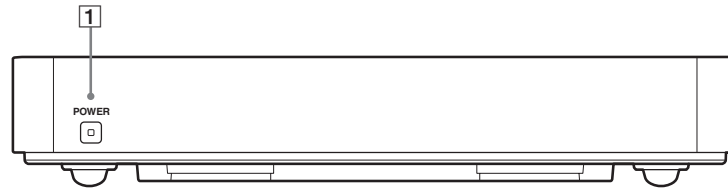
- Receiver unit (1)
- Transmitter unit (1)
- AC power adapter (2)
- AC power cord (2)
- Remote control (1)
- Size AA battery (2)
- IR Blaster cable (Y-cable) (2)
- IR Blaster cable (1)
- Stand for the transmitter unit (1)
- Screw for stand (1)
- Wall-Mount bracket (1)
- TV Mounting bracket (1)
- Plastic Fastener for TV Mounting bracket (3)
- HDMI cable (1)
- Minijack cable for service (1)
- CD-ROM (for customer registration) (1)
- Warranty card (2)
- Reference Guide (this manual) (2)
- Startup Guide (2)

Confirm

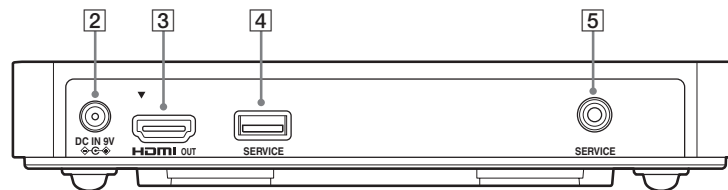
Overview of the Button, Parts and Indicators

Receiver Unit



Front side



Rear side

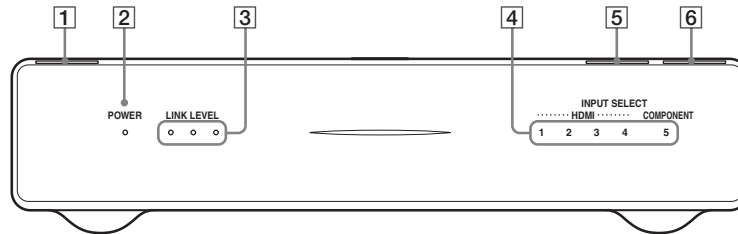


Overview

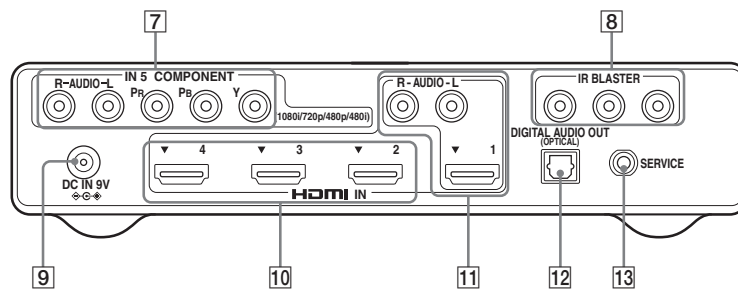
Item	Description
1 POWER / POWER LED	<p>Press to turn the receiver unit on and off, if Control for HDMI of the TV is Off. Lights up green when the receiver unit is turned on.</p> <p></p> <ul style="list-style-type: none"> The power of the receiver unit turns on or off in conjunction with TV if Control for HDMI setting of the TV is On and the unit is connected to the TV by HDMI cable. You cannot turn the power of the receiver unit on or off by pressing POWER on the unit. If POWER LED of the receiver unit does not light up, confirm Control for HDMI setting of the TV is On. If Control for HDMI of the TV is Off, you must turn the power of the receiver unit on or off by pressing POWER on the unit. The supplied remote control cannot be used to turn on or off the receiver unit
2 DC IN 9V	Connects to the supplied AC power adapter with AC cord.
3 HDMI OUT	<p>Connects to the HDMI input of the TV.</p> <p>HDMI (High-Definition Multimedia Interface) provides an uncompressed, all-digital audio/video interface between the receiver unit and the TV.</p> <p></p> <ul style="list-style-type: none"> Be sure to use only an HDMI cable that bears the HDMI logo.
4/5 SERVICE	These jacks are for service only.

Transmitter Unit

Front side



Rear side



Item	Description
1 POWER	Press to turn the transmitter unit on and off.
2 POWER LED	Lights up green when the transmitter unit is turned on.
3 LINK LEVEL LED	Lights up green to indicate the quality of the wireless signal between the receiver unit and transmitter units.
4 INPUT SELECT LED	Lights up green to indicate the input in use.
5 CONNECT	Press to switch wireless channels when LINK LEVEL LED is low.
6 INPUT SELECT	Press to select an input.
7 IN 5 COMPONENT R-AUDIO-L/ (1080i/720p/480p/480i)	Connects to your equipment's component video (YPbPr) and audio (L/R) jacks. <ul style="list-style-type: none"> • Component video (YPbPr) supports 480i, 480p, 720p and 1080i formats.
8 IR BLASTER	Connects the supplied IR Blaster cables to any of the 3 IR BLASTER jacks.
9 DC IN 9V	Connects to the supplied AC power adapter with AC cord.

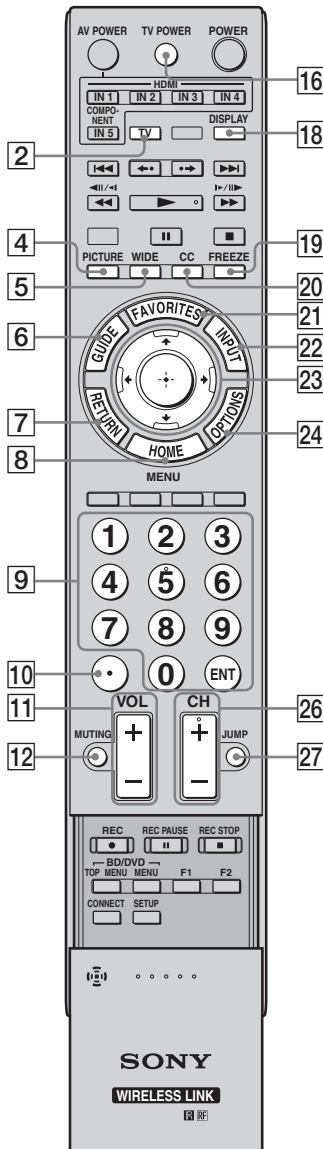
Item	Description
10 IN 2/3/4 HDMI	Connects to HDMI equipment, such as a set-top box, DVD player, Blu-ray Disc Player or AV receiver.
11 IN 1 HDMI R-AUDIO-L	<p>If the equipment has a DVI jack and not an HDMI jack, connect the DVI jack to the IN 1 HDMI (with DVI-to-HDMI cable or adapter) jack, and connect the audio jack to the AUDIO IN (L/R) jacks of IN 1 HDMI.</p> <p>When inputting the HDMI signal without audio, be sure to also connect an audio cable.</p> <div data-bbox="646 544 1236 723" data-label="Image"><p>The image contains three diagrams: 1. A DVI-to-HDMI cable with a DVI connector on one end and an HDMI connector on the other. 2. A DVI-to-HDMI adapter, which is a DVI connector with an HDMI port on the side. 3. An audio cable with two RCA connectors (red and white).</p></div>
12 DIGITAL AUDIO OUT (OPTICAL)	Connects to the optical audio input of your digital audio equipment that is PCM/Dolby Digital compatible. This unit supports Linear PCM and compressed audio format, such as Dolby Digital Audio, DTS audio, with a maximum bitrate of 3 Mbps or less. If the connected equipment and TV support compressed audio formats, the TV will output compressed audio format when using these units.
13 SERVICE	This jack is for service only.



- These units support 480i, 480p, 720p and 1080i formats. The 1080p format is not supported.
- Be sure to use only an HDMI cable that bears the HDMI logo.
- PC input is not supported with these units.

Overview of the Remote Control

Remote Control for TV



Button	Description
2 TV function button	The function button indicator lights up momentarily when pressed. You must first press the TV function button to operate the TV.
4 PICTURE	Press to change the picture mode.
5 WIDE	Press to change the wide mode.
6 GUIDE	Press to open TV Guide On screen system when available on your TV.
7 RETURN	Press to go back to the previous screen or exit from the screen when displaying menu items and settings.
8 HOME	Press to display the TV Home menu.
9 0-9, ENT	Press 0-9 to select a channel; the channel changes after two seconds. Press ENT to change channels immediately.
10	Use with 0-9 and ENT to select digital channels. For example, to enter 2.1, press 2, , , and ENT .
11 VOL +/-	Press to adjust the volume.
12 MUTING	Press to mute the sound. Press again or press VOL + to restore the sound.
16 TV POWER	Press to turn the TV on and off.
18 DISPLAY	Press to display the current input information.
19 FREEZE	Press once to display a frozen image with the current program in a window. Press again to return to the current program.
20 CC	Press to turn closed captions on and off.
21 FAVORITES	The favorite channel list appears depending on the TV.
22 INPUT	Press to select the input of the TV.
23	Press to move the on-screen cursor. Press to select/confirm an item.
24 OPTIONS	Press to display options menus.
26 CH +/-	Press to scan through channels. To scan quickly through channels, press and hold down either +/- .
27 JUMP	Press to jump between two channels.

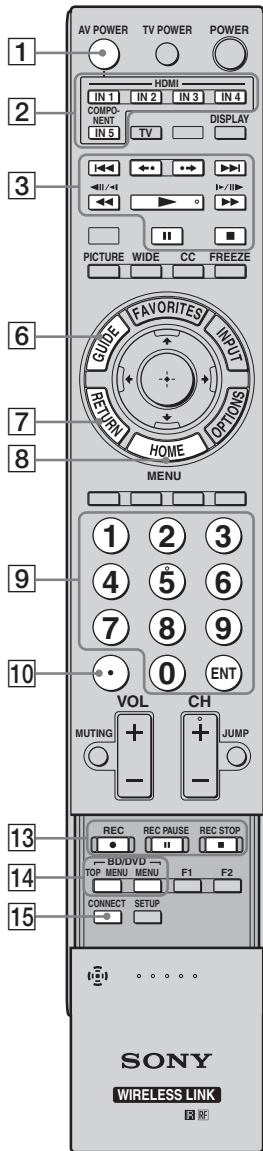


- Point the remote control directly at the IR sensor on your TV.
 - Not all of the buttons are available for all of the TV.
- If it does not work, use the remote control of the TV.



- The **5** button, and **CH +** have a tactile dot. Use them as a reference when operating these units.

Remote Control for Transmitter Unit and External Equipment

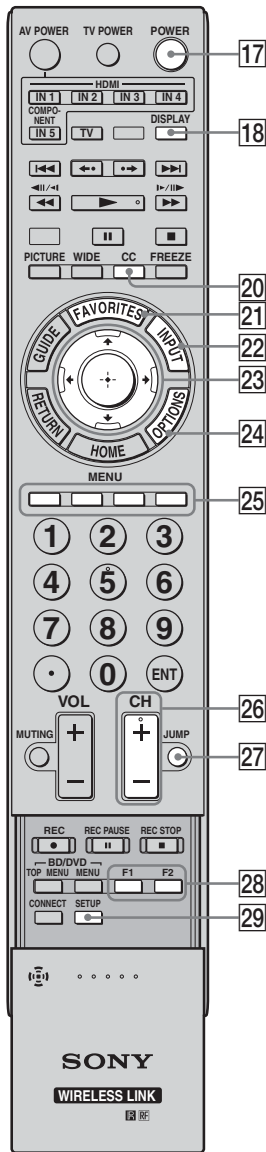


Button	Description
1 AV POWER	Press to turn the external equipment on and off after selecting an input using the input select buttons 2 .
2 IN 1/2/3/4 HDMI, IN 5 COMPONENT input select buttons	Press one of the input select buttons to operate the corresponding equipment. The input select button indicator lights up momentarily when pressed to show which external equipment the remote control is operating. See the Startup Guide for programming the remote control.
3 IN 1/2/3/4 HDMI, IN 5 COMPONENT operating buttons	<ul style="list-style-type: none"> • ◀◀/▶▶: Goes to the beginning of the previous/next title/chapter/scene/track. • ◀•/▶•: Replays the scene/briefly fast forwards the scene. • ◀◀/▶▶: Fast reverses/fast forwards the disc when pressed during playback. • ▶: Plays a disc at normal speed. • ⏸: Pauses the playback. • ■: Stops the playback.
6 GUIDE	Press to display the Digital Electronic Program Guide (EPG) when the satellite receiver or cable box is selected.
7 RETURN	Press to go back to the previous screen or exit from the screen when displaying menu items and settings.
8 HOME (MENU)	Press to display menus of selected external equipment.
9 0-9, ENT	For a set-top box, press 0-9 to select a channel. Press ENT to change channels immediately. For Blu-ray Disc or DVD, etc., press 0-9 as number key entry. Press ENT to confirm.
10	For a set-top box, use with 0-9 and ENT to select digital channels. For example, to enter 2.1, press 2 , . , 1 , and ENT . For Blu-ray Disc or DVD, etc., use with 0-9 .
13 DVR/VCR record buttons	REC ● : Press to record. Pressing this button alone starts the recording process. REC PAUSE ⏸ : Press to pause the recording. REC STOP ■ : Press to stop the recording.
14 BD/DVD TOP MENU/ BD/ DVD MENU	Press to display the top menu of the BD/DVD disc. Press to display the BD/DVD disc menu.
15 CONNECT	Press to search available wireless channels.

Overview



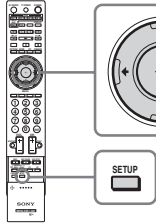
- You must setup the remote control before you use external equipment (see page 13).
- Button functionality may differ depending on your equipment. If a button does not work, use the equipment's remote control.



Button	Description
17 POWER	Press to turn the transmitter unit on and off. <ul style="list-style-type: none"> The receiver unit does not turn on or off by pressing POWER.
18 DISPLAY	Press to display the current input information of selected external equipment.
20 CC	Press to turn closed captions of selected external equipment on and off.
21 FAVORITES	The favorite channel list appears depending on the external equipment.
22 INPUT	Press to select the input of the external equipment connected to the transmitter unit.
23 ,	Press to move the on-screen cursor of selected external equipment. Press to select/confirm an item.
24 OPTIONS	Press to display options menus of selected external equipment. The listed options vary depending on the input source.
25 Color buttons	When the color buttons are available, an operation guide appears on the screen. Follow the operation guide to perform a selected operation.
26 CH +/-	Press to scan through channels of selected external equipment.
27 JUMP	Press to jump between two channels of selected external equipment.
28 F1/F2	Press to select the function of the selected external equipment.
29 SETUP	Press to display the Setup menu of these units (see page 13).

- Button functionality may differ depending on your equipment. If a button does not work, use the equipment's remote control.

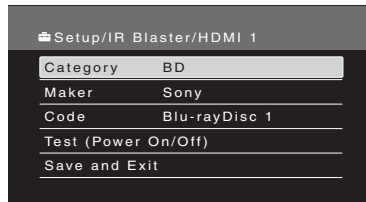
Using the Setup Menu




- 1 Press **SETUP** to display the **Setup** menu.
- 2 Press **▲/▼/◀/▶** to highlight an item, and press **⊕** to confirm.
- 3 Press **SETUP** to exit.

Setup Description

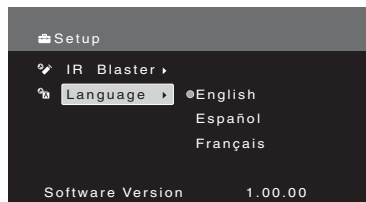
IR Blaster



Set up **IR Blaster** to operate external equipment connected to the transmitter unit with the supplied remote control. For details, see the supplied Startup Guide.

Category	Select the category from Cable Box, Satellite, VCR, DVD, BD or Receiver .
Maker	Select the manufacturer of your equipment from the list. Select Enter Code... if your equipment is not on the list (for code list, see page 14).
Code	Select the code from the list (see page 14).  • For Sony products, most of the codes appear as characters.
Test (Power On/Off)	Check that the code is correct by powering on or off the equipment attached to the selected input.
Save and Exit	Save the setting and exit the Setup menu.

Language



Language	Select a language from English, Español and Français .
-----------------	--

Using the Setup Menu

IR Code List

Cable Box

Manufacturer	Code
Sony	Cable 1(2177), Cable DVR(2181)
ABC	0003, 0237, 0008, 0033
ADB	2586
Amino	1822
Digeo	1187
General Instrument	0476, 0810, 0003
GoldStar	0144
Hamlin	0273
Jerrold	0476, 0810, 0003
Motorola	1376, 0476, 0810, 1187
Myrio	1822
Oak	0019
Pace	0237, 1877, 0877, 0008, 1060, 1068, 1577
Panasonic	0000, 0008, 0144, 0107, 1488
Pioneer	1877, 0877, 0144, 0533, 1500, 1782
Regal	0273
Samsung	0144, 0003, 0000, 1060, 1666, 2015
Scientific Atlanta	1877, 0877, 0477, 0237, 0003, 0000, 0008, 1510
Starcom	0003
Toshiba	0000, 1509
Zenith	0000, 0008, 0525

Satellite

Manufacturer	Code
Sony	Satellite 1(1639), 0853
Bell ExpressVu	0775, 1170
DirecTV	1377, 0566, 1639, 1142, 0247, 0749, 1749, 0819, 1856, 1076, 1108, 1109, 1392, 1414, 1442, 1609
Dish Network System	0775, 1505, 1005, 1170, 1775
Echostar	0775, 1505, 1005, 0853, 1170, 1323, 1409, 1775
GE	0566
Hitachi	0819, 0749, 1250, 1284, 1518
Hughes Network Systems	1142, 0749, 1749, 1442
JVC	0775, 1170, 1775, 1793, 1797
LG	1226, 1414

Manufacturer	Code
Magnavox	0722
Mitsubishi	0749
Motorola	0856
Panasonic	0247, 0701, 1304, 1404
Philips	1142, 0775, 0749, 1749, 0819, 0856, 1076, 0722, 0853, 0200, 0887, 1114, 0173, 1442, 1672, 1743, 0133
RCA	0566, 0775, 1142, 0855, 0143, 1291, 1392, 1442
Samsung	1377, 1142, 1276, 1108, 1109, 0853, 1206, 1442, 1609
Tivo	1142, 1442
Toshiba	0749, 1749, 0790, 1284, 1285, 1501, 1516, 1530
Uniden	0722
Zenith	1856, 0856

VCR

Manufacturer	Code
Sony	VCR 3(2184), VCR 1(1232), VCR 2(1546), DVR 1(2181), DVR 2(2182), DVR 3(2183), 0035, 0048, 0047, 0000, 0067, 0046, 0226, 1972
Emerson	0037, 0035, 0184, 0039, 0240, 0045, 0000, 0121, 0043, 0209, 0072, 0002, 0278, 0348, 0479, 0593, 1593
Go Video	0240, 0432, 0526, 0614, 1137
Goldstar	0037, 0035, 0039, 0000, 0209, 0278, 0038, 0225, 0226, 1137
Hitachi	0000, 0035, 0037, 0081, 0240, 0045, 0042, 0041, 0046, 0089, 0593, 1037, 2613
JVC	0067, 0184, 0081, 0045, 0041, 1162
Magnavox	0035, 0037, 0048, 0039, 0081, 0240, 0000, 0149, 0226, 0563, 0593, 0618, 0642, 1593

Manufacturer	Code
Memorex	0035, 0162, 0037, 0048, 0039, 0047, 0240, 0000, 0104, 0209, 0072, 0278, 0046, 0307, 0348, 0479, 1037, 1048, 1162, 1262
Mitsubishi	0067, 0060, 0048, 0047, 0081, 0000, 0042, 0043, 0041, 0075, 0173, 0214, 0443, 0642, 1631
NEC	0104, 0035, 0037, 0048, 0067, 0041, 0278, 0038, 0040, 0050, 1137
Panasonic	1062, 0035, 0162, 0000, 0225, 0226, 0614, 0616, 0837, 1162, 1262, 1562
Philips	0035, 0162, 0048, 0081, 0045, 0000, 0209, 0226, 0563, 0593, 0616, 0618, 0739, 1081, 1181
RCA	0060, 0035, 0048, 0240, 0045, 0000, 0042, 0149, 0226, 0880, 2613
ReplayTV	0614, 0616
Sanyo	0047, 0048, 0240, 0000, 0104, 0067, 0046, 0159, 0348, 0479, 1137
Sharp	0048, 0037, 0047, 0000, 0209, 0848, 1048
Sylvania	0035, 0081, 0000, 0043, 0593, 1593
Symphonic	0000, 0240, 0002, 0593, 1593
Tivo	0739, 0618
Toshiba	0045, 0081, 0240, 0000, 0042, 0067, 0043, 0209, 0041, 0432, 0742, 1008, 1972, 1988
Zenith	0039, 0037, 0000, 0209, 0041, 0278, 0479, 1137, 1139

DVD

Manufacturer	Code
Sony	DVD 1(1033), DVD/VCR(0864), DVD 3(1070), DVD 2(1069), 0573, 0630
CyberHome	0714, 0816, 1023, 1024, 1129, 1502
Denon	1634, 0490, 0634
Harman/Kardon	0702
Hitachi	0573, 0664, 0695, 0713, 1247, 1664, 1748

Manufacturer	Code
Insignia	1268
JVC	0623, 0503, 0539, 0558, 0867, 1164, 1275, 1550, 1590, 1591, 1592, 1594, 1597, 1602
Kenwood	0534, 0490
LG	0741, 0591, 0869, 1600, 2135
LiteOn	1058, 1416
Microsoft	2083, 0522
Mitsubishi	1521, 0521, 0713, 1629
Onkyo	0627, 0503, 0792, 1769
Panasonic	0490, 0503, 0571, 0703, 1632, 1641, 1762
Philips	0539, 0503, 2056, 0646, 0675, 1260, 1267, 1340, 1354, 1506, 2084, 2093
Pioneer	0571, 0490, 0525, 0142, 0631
RCA	0522, 0571, 0822, 1769
Samsung	0573, 0490, 0744, 0199, 0820, 1044, 1075, 1470, 1599, 1635, 1748, 2069
Sharp	0630, 0675, 0713, 0752, 1256, 1556, 1642, 2250
Sylvania	0675, 0630, 0821, 1268
Toshiba	0503, 0573, 0539, 0695, 1154, 1503, 1510, 1588, 1595, 1608, 1639, 1769, 1854

Manufacturer	Code
Aiwa	0121, 1189, 1269, 1089, 1641
Bose	1229, 0639, 1933
Denon	1360, 0121, 1104, 1142, 1306, 2857
Harman/Kardon	0110, 1189, 1289, 1304, 1306, 1310
Hitachi	1801
Insignia	1077
JVC	0074, 0531, 1374, 1495
Kenwood	1313, 1569, 0186
LG	1293
Marantz	1189, 1269, 0128, 0744, 1089, 1289
McIntosh	1289
Onkyo	1320, 1298, 1805
Panasonic	1308, 1518, 0367, 1288, 1309, 1316, 1548, 1633, 1763, 1764, 1779
Philips	1189, 1269, 0391, 1089, 1266, 1289, 1673
Pioneer	1023, 0150, 0186, 0244, 0531, 0630, 1384, 1459, 1935, 1986
RCA	1609, 1023, 0531, 1154, 1390, 1459, 1511
Samsung	1295, 1304, 1500
Sharp	0186, 0653, 1634
Sherwood	1077, 0491, 0502, 0653, 1423, 1653
Yamaha	0176, 1023, 0186, 1276, 1331, 1376

BD

Manufacturer	Code
Sony	BD 1(1516), BD 2(2178), BD 3(2180)
LG	0741
Panasonic	1641
Philips	2084
Pioneer	0142
Samsung	0199
Sharp	2250

Receiver

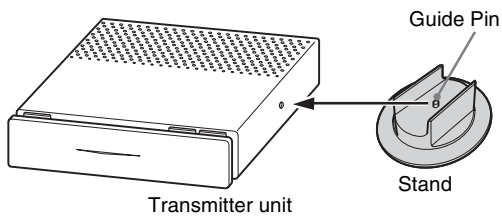
Manufacturer	Code
Sony	DVD AV System 1(1622), AV Receiver(2172), DVD AV System 4(1858), DVD AV System 3(1658), DVD AV System 2(1558)

Other Information

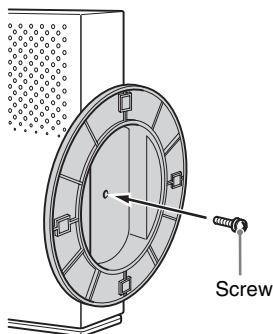
Attaching the Transmitter Unit Stand

The transmitter unit can also be used vertically with the supplied stand.

- 1 Match the Guide Pin on the center of the stand and the screw hole on the right side of the transmitter unit.



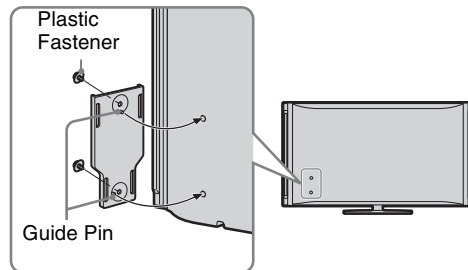
- 2 Secure the screw.



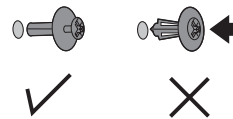
Attaching the Receiver Unit

Attaching the Receiver Unit to the Rear of the TV

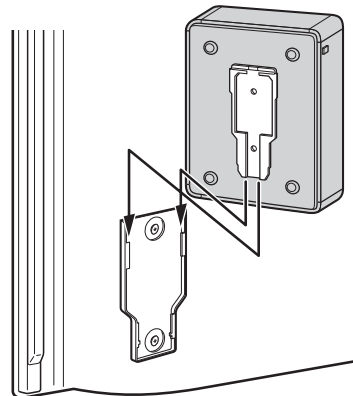
- 1 Attach the supplied TV Mounting bracket to the bottom left side of the rear TV panel.



- Do not push the head of the Plastic Fastener until you have inserted the fastener into the hole on the TV.

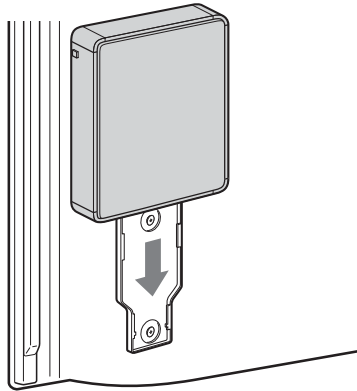


- 2 Align the slider on the bottom of the receiver unit with the groove of the TV Mounting bracket.

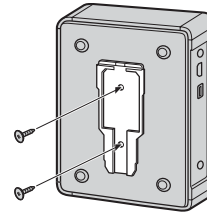


- To remove the bracket from the TV, use a Phillips screw driver (not supplied) to loosen the Plastic Fasteners.

3 Slide down the receiver unit.



If the Wireless LINK LEVEL is low, the receiver unit can also be attached on the top right side of the rear TV panel. In this case, attach the receiver unit by rotating 180 degrees. Remove the receiver unit from the TV Mounting bracket on the rear TV panel, remove the TV Mounting bracket/Plastic Fasteners using a Phillips Screwdriver, remove the screws holding the adapter and rotate 180 degrees, then secure the screws again, attach the TV Mounting bracket and the receiver unit.



Secure the screws



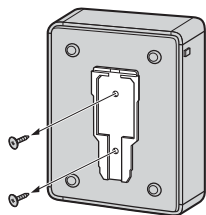
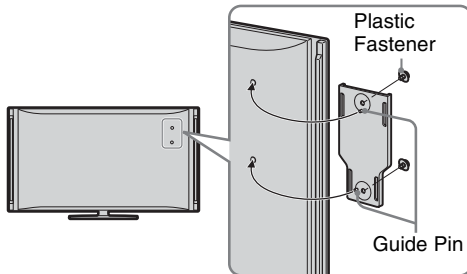
- If no Guide Pins or screw holes are found on the rear TV panel, it is not designed to mount the receiver unit to the TV.

In case of small TV, Wall-Mount bracket and the receiver unit might be interfered. Use the receiver unit horizontally stand-alone.

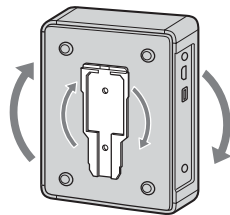
Place the Receiver Unit Stand-alone Near the TV

If the Wireless LINK LEVEL is still low, place the receiver unit horizontally near the TV. Find good place for Wireless LINK LEVEL.

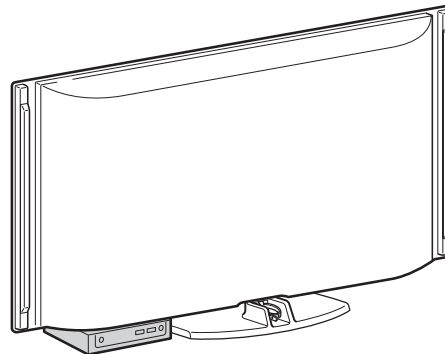
Other Information



Remove the screws



Rotate 180 degrees

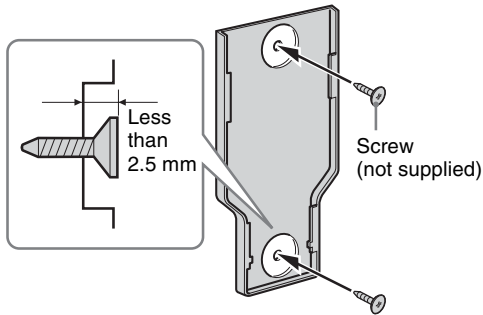


Installing the Receiver Unit on the Wall

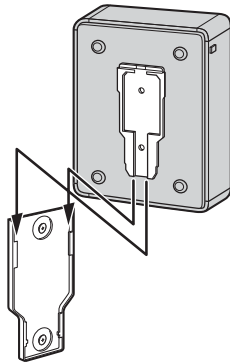
The receiver unit can be installed on a wall with the supplied Wall-Mount bracket. In this case, consult an experienced radio/TV technician for installation.

For installation, use appropriate screws for the wall.

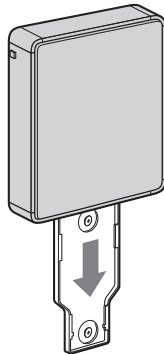
- 1** Install the supplied Wall-Mount bracket on the wall.



- 2** Align the slider on the bottom of the receiver unit with the groove of the Wall-Mount bracket.



- 3** Slide down the receiver unit.



Specifications

Receiver unit (DMX-WL1R)

Input/Output jacks	
HDMI OUT	HDMI: Video: 480i, 480p, 720p, 1080i / Audio: Two channel linear PCM 32, 44.1 and 48 kHz, 16, 20 and 24bits, IEC61937 compressed audio format with a maximum bitrate of 3 Mbps or less.
SERVICE	For service use only.
DC IN	DC (9 V)
Power and others	
Power requirement	120 V AC, 60 Hz
Power consumption	
in use	9 W
in standby	less than 1 W
Dimensions (W × H × D) (mm) (inches)	190 × 34 × 139 7 1/2 × 1 3/8 × 5 1/2
Mass	0.45 kg 1.0 lb.

Transmitter unit (DMX-WL1T)

Input/Output jacks	
IN 5 COMPONENT	YPbPr (Component Video): Y: 1.0 Vp-p, 75 ohms unbalanced, sync negative / PB: 0.7 Vp-p, 75 ohms / PR: 0.7 Vp-p, 75 ohms / Signal format: 480i, 480p, 720p, 1080i AUDIO: 500 mVrms / Impedance: 47 kilohms
IN 1/2/3/4 HDMI	HDMI: Video: 480i, 480p, 720p, 1080i / Audio: Two channel linear PCM 32, 44.1 and 48 kHz, 16, 20 and 24bits, IEC61937 compressed audio format with a maximum bitrate of 3 Mbps or less. AUDIO (IN 1 HDMI only): 500 mVrms / Impedance: 47 kilohms
DIGITAL AUDIO OUT (OPTICAL)	Optical Digital Audio Output (PCM/IEC61937 compressed audio format with a maximum bitrate of 3 Mbps or less)
IR BLASTER	3.5 mm Mini jack
SERVICE	For service use only.
DC IN	DC (9 V)
Power and others	
Power requirement	120 V AC, 60 Hz
Power consumption	
in use	10 W
in standby	less than 1 W
Dimensions (W × H × D)	
with stand (mm) (inches)	118 × 229 × 226 4 3/4 × 9 1/8 × 9
without stand (mm) (inches)	210 × 50 × 226 8 3/8 × 2 × 9
Mass	
with stand	0.87 kg 1.9 lb.
without stand	0.82 kg 1.8 lb.
Frequency range	5 GHz band
Modulation	OFDM
Maximum transmission distance	Approximately 20 m/65 ft, depending on the home environment.
Remote control	2.4 GHz band
Supplied accessories	See page 6.



- Design and specifications are subject to change without notice.

Other Information

Troubleshooting

Confirm

If you have questions, service needs, or require technical assistance related to the use of your Sony wireless link, please visit our website or call one of the following numbers:

<http://www.sony.com/tvsupport>
 1-866-918-BIVL (2485) for US Support
 1-877-899-SONY(7669) for Canadian Support

Condition	Explanation/Solution
The POWER LED of the receiver unit does not light up	<ul style="list-style-type: none"> • Make sure the AC power cord and the AC power adapter are connected securely. • Turn on the power of the TV. • Set Control for HDMI of the TV to On. • Otherwise you must turn on or off the receiver unit by pressing the POWER button of the unit.
The receiver unit displays nothing on the TV	<ul style="list-style-type: none"> • Check the connection of HDMI cable between the receiver unit and the TV. • Check the HDMI input selection of the TV.
The receiver unit displays a message on the TV "Unable to communicate with transmitter."	<ul style="list-style-type: none"> • Make sure the power of the transmitter unit is on. • Put the transmitter unit near the receiver unit. • If you use cordless phone, turn off the power of it. • If you use 5 GHz wireless LAN, turn off the power of it.
The receiver unit displays a message on the TV "Unable to communicate with transmitter." and the LINK LEVEL LED of the transmitter unit is still blinking	<ul style="list-style-type: none"> • Put the transmitter unit near the receiver unit. • Try to install the receiver unit by other method. • Try to find the best place and direction of the transmitter unit and the receiver unit. • Remove the objects between the transmitter unit and the receiver unit. • If you use cordless phone, turn off the power of it.
LINK LEVEL LED is less than three	<ul style="list-style-type: none"> • Confirm the receiver unit is turned on the power. • Check the connection of the cable between the equipment and the transmitter unit. • Check the connected equipment is turned on the power. • Confirm INPUT SELECT is selecting the connected equipment.
The receiver unit displays a message on the TV "This signal is not supported by the transmitter."	<ul style="list-style-type: none"> • Set the resolution of the equipment to 480i, 480p, 720p or 1080i before connecting to the unit. • If you currently use equipment connected directly to your TV with 1080p resolution, make sure to change the equipment's resolution to 1080i or less before connecting it to the transmitter unit. • For PLAYSTATION®3, press and hold POWER for several seconds from standby to reset the resolution to 480p. • PC input is not supported by this unit. • Only standard signal is acceptable for IN 5 COMPONENT input.
Poor picture	<ul style="list-style-type: none"> • Because of the wireless transmission, the quality of the picture is not the same as HDMI connection. • Press CONNECT to search for a better wireless channel. • Move the transmitter unit closer to the receiver unit. • Try to install the receiver unit by another method. • Try to find the best placement and direction of the transmitter unit and the receiver unit. • Remove the objects between the transmitter unit and the receiver unit. • If you use a cordless phone, turn it off or move it elsewhere. • If you use 5 GHz wireless LAN, turn it off or move it elsewhere.

Condition	Explanation/Solution
Remote control does not work	<ul style="list-style-type: none">• Check the polarity of the batteries or replace the batteries.• When some functions do not work, operate with the remote control of your equipment.• The supplied remote control is universal. For the corresponding equipment, see Web site.• Not all operations are guaranteed even for equipment from manufacturers supported by this unit.• The supplied remote control cannot be used to turn on or off the receiver unit separately from the TV.
Connected equipment does not work	<ul style="list-style-type: none">• If you use a new remote control, press CONNECT and INPUT SELECT at the same time and hold few seconds, then the Initial Setup menu will appear. Follow the instructions to complete initial setup.
Receiver unit cannot turn off the power	<ul style="list-style-type: none">• Put the IR Blaster in a location visible to the IR receiver of the equipment.
No sound of IN 1 HDMI AUDIO	<ul style="list-style-type: none">• The power of the receiver unit turns on or off in conjunction with TV if HDMI Control or Control for HDMI of the TV is On and the unit is connected to the TV by HDMI cable.• IN 1 HDMI AUDIO input is available only when IN1 HDMI has no audio data.

Other Information



Confirm

For Your Convenience

Please contact Sony directly if you:

- Have questions on the use of your module after reading the Startup Guide or Reference Guide
- Experience difficulty operating your module

Contact Sony Customer Support at:

<http://www.sony.com/tvsupport>

or to speak with a support representative:

United States

1-866-918-BIVL (2485)

Canada

1-877-899-SONY (7669)

Sony will work to resolve your questions more quickly than your retailer or place of purchase.

Please Do Not Return the Product to the Store

<http://www.sony.net/>

Printed in Japan

DMX-WL1
3-877-083-11(1)