

Congratulations on your purchase of the Sony Ericsson
Walkman® music player operation. For additional phone
content, go to www.sonyericsson.com/fun.

Register now to get a suite of tools, free online storage,
special offers, news and competitions at
www.sonyericsson.com/myphone.

For product support, go to www.sonyericsson.com/support.

Accessories – More for your phone

Music Desk Stand MDS-65

Enjoy your phone-based music at home, on holiday or in the office with a portable stereo

Stereo Portable Handsfree HPM-90

A handsfree solution with bright display – see who is calling and what song is playing

Bluetooth™ Music Receiver MBR-100

Stream music from your phone to your hi-fi for outstanding sound quality

These accessories can be purchased separately but may not be available in every market. To view the full range go to www.sonyericsson.com/accessories.

Contents

Getting started	3
Getting to know the phone ...	10
Calling	21
Internet	27
Messaging	29
Media	35
Camera	39
Entertainment	42
Connectivity	45
More features	49
Important information	52
Index	61

Sony Ericsson G900

UMTS 2100 GSM 900/1800/1900

This User guide is published by Sony Ericsson Mobile Communications AB or its local affiliated company, without any warranty. Improvements and

changes to this User guide necessitated by typographical errors, inaccuracies of current information, or improvements to programs and/or equipment, may be made by Sony Ericsson Mobile Communications AB or its local affiliated company at any time and without notice. Such changes will, however, be incorporated into new editions of this User guide.

All rights reserved.

©Sony Ericsson Mobile Communications AB, 2008

Publication number: 1207-9851

Please note:

Some of the services in this User guide are not supported by all networks. *This also applies to the GSM International Emergency Number 112.*

Please contact your network operator or service provider if you are in doubt whether you can use a particular service.

Please read the *Guidelines for safe and efficient use* and the *Limited warranty* chapters before you use your mobile phone.

Your mobile phone has the capability to download, store and forward additional content, for example, ringtones. The use of such content may be restricted or prohibited by rights of third parties, including but not limited to restriction under applicable copyright laws. You, and not Sony Ericsson, are entirely responsible for additional content that you download to or forward from your mobile phone. Prior to your use of any additional content, please verify that your intended use is properly licensed or is otherwise authorized. Sony Ericsson does not guarantee the accuracy, integrity or quality of any additional content or any other third party content. Under no circumstances will Sony Ericsson be liable in any way for your

improper use of additional content or other third party content.

PlayNow, TrackID and MusicDJ are trademarks or registered trademarks of Sony Ericsson Mobile Communications AB. TrackID™ is powered by Gracenote Mobile MusicID™. Gracenote and Gracenote Mobile MusicID are trademarks or registered trademarks of Gracenote, Inc.

Sony, the WALKMAN logo and symbol are trademarks or registered trademarks of Sony Corporation.

Ericsson is a trademark or registered trademark of Telefonaktiebolaget LM Ericsson.

Bluetooth is a trademark or registered trademark of Bluetooth SIG Inc.

Real is a trademark or a registered trademark of RealNetworks, Inc. Copyright 1995-2008, RealNetworks, Inc. All rights reserved.

Adobe and Acrobat are trademarks or registered trademarks of Adobe Systems Incorporated in the United States and/or other countries.

Microsoft, Microsoft Excel, Microsoft Word, Microsoft PowerPoint, Microsoft Outlook and Windows are either registered trademarks or trademarks of Microsoft Corporation in the United States and/or other countries.

Java and all Java based trademarks and logos are trademarks or registered trademarks of Sun Microsystems, Inc. in the U.S. and other countries. End-user license agreement for Sun™ Java™ J2ME™.

Restrictions:

- 1 Software is confidential copyrighted information of Sun and title to all copies is retained by Sun and/or its licensors. Customer shall not modify, decompile, disassemble, decrypt, extract, or otherwise reverse engineer Software. Software may not be leased, assigned, or sublicensed, in whole or in part.

- 2 Export Regulations: Software, including technical data, is subject to U.S. export control laws, including the U.S. Export Administration Act and its associated regulations, and may be subject to export or import regulations in other countries. Customers agree to comply strictly with all such regulations and acknowledges that it has the responsibility to obtain licenses to export, re-export, or import Software. Software may not be downloaded, or otherwise exported or re-exported (i) into, or to a national or resident of, Cuba, Iraq, Iran, North Korea, Libya, Sudan, Syria (as such listing may be revised from time to time) or any country to which the U.S. has embargoed goods; or (ii) to anyone on the U.S. Treasury Department's list of Specially Designated Nations or the U.S. Commerce Department's Table of Denial Orders.

- 3 Restricted Rights: Use, duplication or disclosure by the United States government is subject to the restrictions as set forth in the Rights in Technical Data and Computer Software Clauses in DFARS 252.227-7013(c) (1) (ii) and FAR 52.227-19(c) (2) as applicable.

Other product and company names mentioned herein may be the trademarks of their respective owners.

Any rights not expressly granted herein are reserved.

All illustrations are for guidance only and may not accurately depict the actual phone.

Getting started

Welcome

In your hand is the User guide which will help you get started using your new phone.


To get most out of your phone read the information in this chapter first.

Instruction symbols

The following symbols appear in the User guide:

 Note

 Tip

 A service or function is network- or subscription-dependent. Contact your network operator for details.

Additional help

The complete user documentation for your phone consists of:

- **User guide** – an overview of your phone.
- **Help in the phone** – In most applications **Help** is available in the **More** menu.

- **Web guide** – an up-to-date user guide with step-by-step instructions and additional information on features available in your phone. You can access the Web guide at www.sonyericsson.com/support.

To access the Web guide from your phone

- 1 From Standby select **Main menu > Web**.
- 2 Select **More > View > Bookmarks > Web Guide**.

Care instructions

- Use a moist cloth when you clean the screen.
- Only use the stylus provided, or your fingertips, when selecting items on the screen.

For detailed care instructions, see *Recommendations for care and safe use of our products* on page 54.

Package



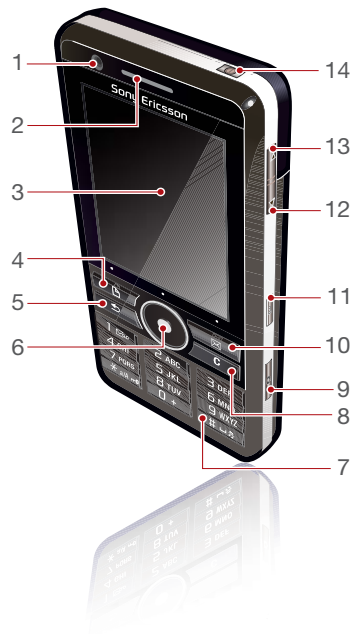
- | | |
|---|------------------|
| 1 | Phone xxx |
| 2 | Charger CST-70 |
| 3 | Extra stylus |
| 4 | USB cable DCU-65 |
| 5 | Battery BST-33 |

- | | |
|---|--|
| 6 | Stereo portable handsfree
HPM-62 |
| 7 | User guide |
| 8 | CD with PC Suite and Media
Manager software |

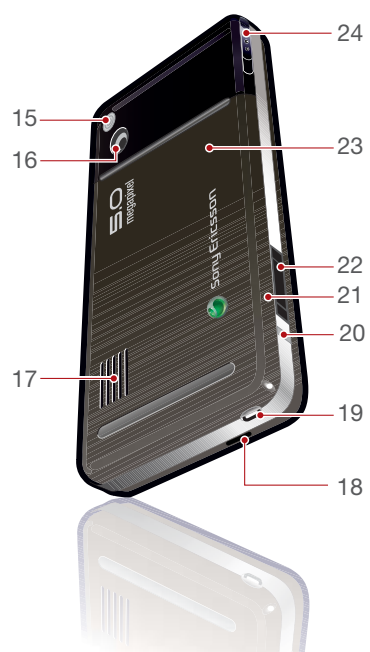
! *If your package does not include all the listed items please contact your retailer.*

Overview

1	Video telephony camera
2	Earspeaker
3	Screen
4	Note key (for Note application)
5	Back key
6	5-way navigation key
7	Silent key
8	C key (Clear)
9	Camera key
10	Messaging key
11	Lock key
12	Volume down key
13	Volume up key
14	On/off button



- 15 Camera light
- 16 5 megapixel camera
- 17 Loudspeaker
- 18 Microphone
- 19 Strap holder
- 20 Indicator light
- 21 Memory card slot (hidden)
- 22 Connector for charger and accessories
- 23 Battery cover
- 24 Stylus



Before using your phone

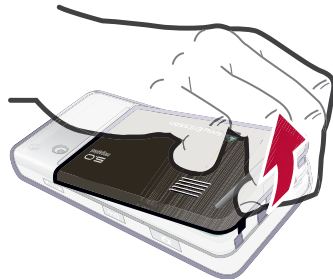


SIM card

You receive a SIM (Subscriber Identity Module) card when you register with a network operator. The SIM card keeps track of your phone number, the services included in your subscription and phonebook information. A PIN code is supplied with the SIM card and must be entered, if requested, when you turn on your phone for the first time.

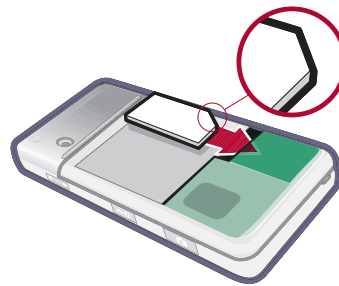
To insert the SIM card

- 1 Open the battery cover by pressing and pulling the lower part of the cover at the bottom of the phone.



- 2 Remove the battery.

- 3 Insert the SIM card into the SIM card holder. Make sure you insert it as depicted in the image.



Battery

You need to charge the battery when the indicator light on the side of the phone flashes red or when the low battery message appears on the screen.

To insert the battery

- 1 Detach the charger (if connected).
- 2 Open the battery cover by pressing and pulling the lower part of the cover at the bottom of the phone.