

# FM/AM Clock Radio

## Operating Instructions

### ICF-C7iP

### DREAM MACHINE

Dream Machine is a trademark of Sony Corporation.



No Power No Problem is a trademark of Sony Corporation.

©2009 Sony Corporation Printed in China <http://www.sony.net/>

Portable Audio

## SONY LIMITED WARRANTY (U.S. Only)

Sony Electronics Inc. ("Sony") warrants this product against defects in material or workmanship for the time periods and as set forth below when purchased directly from Sony or a Sony Retailer. Pursuant to this Limited Warranty, Sony will, at its option, (i) repair the product using new or refurbished parts or (ii) replace the product with a new or refurbished product. For purposes of this Limited Warranty, "refurbished" means a product or part that has been returned to its original specifications. **In the event of a defect, these are your exclusive remedies.**

**Labor:** For a period of one (1) year from the original date of purchase of the product ("Labor Warranty"), Sony will, at its option, repair or replace with new or refurbished product, product determined to be defective. If Sony elects to replace the product after this Labor Warranty has expired but while the Parts Warranty below is still in effect, it will do so for the applicable labor charge.

**Parts:** For a period of one (1) year from the original date of purchase of product ("Parts Warranty"), Sony will supply new or refurbished replacement parts in exchange for parts determined to be defective.

This Limited Warranty covers only the hardware components packaged with the Product. It does not cover technical assistance for hardware or software usage and it does not cover any software products whether or not contained in the Product; any such software is provided "AS IS" unless expressly provided for in an enclosed software Limited Warranty. Please refer to the End User License Agreements included with the Product for your rights and obligations with respect to the software.

**Instructions:** To obtain warranty service, you must deliver the product, freight prepaid, in either its original packaging or packaging affording an equal degree of protection to the Sony authorized service facility specified. **It is your responsibility to backup any data, software or other materials you may have stored or preserved on your unit. It is likely that such data, software, or other materials will be lost or reformatted during service and Sony will not be responsible for any such damage or loss.** A dated purchase receipt from Sony or a Sony Retailer is required. For specific instructions on how to obtain warranty service for your product,

Visit Sony's Web Site:  
[www.sony.com/support](http://www.sony.com/support)

Or call the **Sony Customer Information Service Center**  
1-800-222-SONY (7669)

For an accessory or part not available from your authorized dealer, call:  
1-800-488-SONY (7669)

**Repair / Replacement Warranty:** This Limited Warranty shall apply to any repair, replacement part or replacement product for the remainder of the original Limited Warranty period or for ninety (90) days, whichever is longer. Any parts or product replaced under this Limited Warranty will become the property of Sony.

This Limited Warranty only covers product issues caused by defects in material or workmanship during ordinary consumer use; it does not cover product issues caused by any other reason, including but not limited to product issues due to commercial use, acts of God, misuse, limitations of technology, or modification of or to any part of the Sony product or product purchased from other than Sony or a Sony Retailer. To determine if a retailer is part of the Sony Retailer Network, please contact Sony's Customer Service Call Center or go to [www.sony.com/support](http://www.sony.com/support). This Limited Warranty does not cover Sony products sold AS IS or WITH ALL FAULTS or consumables (such as fuses or batteries). This Limited Warranty is invalid if the factory-applied serial number has been altered or removed from the product. This Limited Warranty is valid only in the United States.

**LIMITATION ON DAMAGES:** SONY SHALL NOT BE LIABLE FOR ANY INCIDENTAL OR CONSEQUENTIAL DAMAGES FOR BREACH OF ANY EXPRESS OR IMPLIED WARRANTY ON THIS PRODUCT.

**DURATION OF IMPLIED WARRANTIES:** EXCEPT TO THE EXTENT PROHIBITED BY APPLICABLE LAW, ANY IMPLIED WARRANTY OF MERCHANTABILITY OR FITNESS FOR A PARTICULAR PURPOSE ON THIS PRODUCT IS LIMITED IN DURATION TO THE DURATION OF THIS WARRANTY.

Some states do not allow the exclusion or limitation of incidental or consequential damages, or allow limitations on how long an implied warranty lasts, so the above limitations or exclusions may not apply to you. This Limited Warranty gives you specific legal rights and you may have other rights which vary from state to state.

D455714504

### Owner's Record

The model number and the serial number are located on the bottom. Record the serial number in the space provided below. Refer to them whenever you call upon your Sony dealer regarding this product.

Model No. ICF-C7iP

Serial No. \_\_\_\_\_

For customers who purchased this product in the USA Please register this product on line at <http://www.sony.com/productregistration>. Proper registration will enable us to send you periodic updates about new products, services, and other important announcements. Registering your product will also allow us to contact you in the unlikely event that the product needs adjustment or modification. Thank you.

### WARNING

To reduce the risk of fire or electric shock, do not expose this apparatus to rain or moisture.

To reduce the risk of fire, do not cover the ventilation of the apparatus with newspapers, tablecloths, curtains, etc. And do not place lighted candles on the apparatus.

To reduce the risk of fire or electric shock, do not expose this apparatus to dripping or splashing, and do not place objects filled with liquids, such as vases, on the apparatus.

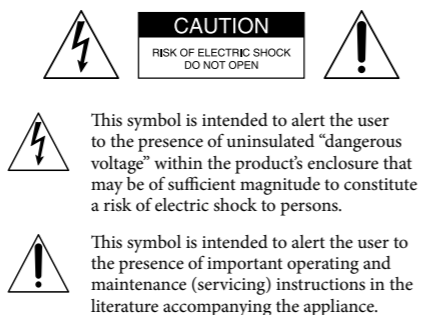
Do not install the appliance in a confined space, such as a bookcase or built-in cabinet.

Do not expose the batteries (battery pack or batteries installed) to excessive heat such as sunshine, fire or the like for a long time.

As the main plug is used to disconnect the unit from the mains, connect the unit to an easily accessible AC outlet. Should you notice an abnormality in the unit, disconnect the main plug from the AC outlet immediately.

You are cautioned that any changes or modifications not expressly approved in this manual could void your authority to operate this equipment.

**CAUTION**  
Danger of explosion if battery is incorrectly replaced. Replace only with the same or equivalent type.



### NOTE

This equipment has been tested and found to comply with the limits for a Class B digital device, pursuant to Part 15 of the FCC Rules. These limits are designed to provide reasonable protection against harmful interference in a residential installation. This equipment generates, uses and can radiate radio frequency energy and, if not installed and used in accordance with the instructions, may cause harmful interference to radio communications. However, there is no guarantee that interference will not occur in a particular installation. If this equipment does cause harmful interference to radio or television reception, which can be determined by turning the equipment off and on, the user is encouraged to try to correct the interference by one or more of the following measures:

- Reorient or relocate the receiving antenna.
- Increase the separation between the equipment and receiver.
- Connect the equipment into an outlet on a circuit different from that to which the receiver is connected.
- Consult the dealer or an experienced radio/TV technician for help.

This device complies with Part 15 of the FCC Rules. Operation is subject to the following two conditions: (1) this device may not cause harmful interference, and (2) this device must accept any interference received, including interference that may cause undesired operation.

### WARNING

Replace the battery for the clock backup with a Sony CR2032 lithium battery, and the battery for the remote commander with a Sony CR2025 lithium battery. Use of another battery may present a risk of fire or explosion.

- Battery may explode if mistreated. Do not recharge, disassemble or dispose of in fire.
- Dispose of used battery promptly. Keep away from children.

### Important Safety Instructions

- 1) Read these instructions.
- 2) Keep these instructions.
- 3) Heed all warnings.
- 4) Follow all instructions.
- 5) Do not use this apparatus near water.
- 6) Clean only with dry cloth.
- 7) Do not block any ventilation openings. Install in accordance with the manufacturer's instructions.
- 8) Do not install near any heat sources such as radiators, heat registers, stoves, or other apparatus (including amplifiers) that produce heat.
- 9) Do not defeat the safety purpose of the polarized or grounding-type plug. A polarized plug has two blades with one wider than the other. A grounding type plug has two blades and a third grounding prong. The wide blade or the third prong are provided for your safety. If the provided plug does not fit into your outlet, consult an electrician for replacement of the obsolete outlet.
- 10) Protect the power cord from being walked on or pinched particularly at plugs, convenience receptacles, and the point where they exit from the apparatus.
- 11) Only use attachments/accessories specified by the manufacturer.
- 12) Use only with the cart, stand, tripod, bracket, or table specified by the manufacturer, or sold with the apparatus. When a cart is used, use caution when moving the cart/apparatus combination to avoid injury from tip-over.



- 13) Unplug this apparatus during lightning storms or when unused for long periods of time.
- 14) Refer all servicing to qualified service personnel. Servicing is required when the apparatus has been damaged in any way, such as power-supply cord or plug is damaged, liquid has been spilled or objects have fallen into the apparatus, the apparatus has been exposed to rain or moisture, does not operate normally, or has been dropped.

**For the state of california, USA only**  
Perchlorate Material -special handling may apply, See [www.dtsc.ca.gov/hazardouswaste/perchlorate](http://www.dtsc.ca.gov/hazardouswaste/perchlorate)  
Perchlorate Material: Lithium battery contains perchlorate

### Features

- Wake or sleep to iPod/Radio
- Dual Alarm
- FM/AM 2-band digital synthesized tuner
- 30 Station Presets (20 FM, 10 AM)
- Brightness Control (High/Mid/Low)
- Extendable Snooze system from 10 to 60 min
- No Power No Problem alarm system to keep the clock and the alarm operating during a power interruption with a CR2032 battery installed

### Precautions

- Play the unit on the power source specified in "Specifications."
- To disconnect the AC power cord (mains lead), pull it out by the plug, not the cord.
- The unit is not disconnected from the AC power source (mains) as long as it is connected to the wall outlet, even if the unit itself has been turned off.
- Since a strong magnet is used for the speaker, keep personal credit cards using magnetic coding or spring-wound watches away from the unit to prevent possible damage from the magnet.
- Do not leave the unit in a location near a heat source such as a radiator or airtight, or in a place subject to direct sunlight, excessive dust, mechanical vibration, or shock.
- Allow adequate air circulation to prevent internal heat build-up. Do not place the unit on a surface (a rug, a blanket, etc.) or near materials (a curtain) which might block the ventilation holes.
- Should any solid object or liquid fall into the unit, unplug the unit and have it checked by qualified personnel before operating it any further.
- To clean the casing, use a soft cloth dampened with a mild detergent solution.

- Never touch the wire of the external FM antenna during a thunderstorm. Furthermore, immediately disconnect the AC power cord from the radio.

### NOTES ON LITHIUM BATTERY

- Wipe the battery with a dry cloth to assure a good contact.
- Be sure to observe the correct polarity when installing the battery.
- Do not hold the battery with metallic tweezers, otherwise a short-circuit may occur.

If you have any questions or problems concerning your unit, please consult your nearest Sony dealer.

### Troubleshooting

Should any problem persist after you have made the following checks, consult your nearest Sony dealer.

#### The clock flashes "AM 12:00" due to a power interruption.

- The battery is low. Replace the battery. Remove the old battery and install a new one.

#### The radio, iPod or buzzer alarm does not sound at the preset alarm time.

- Check that alarm "A" or alarm "B" is properly displayed.

#### The radio or alarm of iPod is activated but no sound comes on at the preset alarm time.

- Check the alarm volume setting.

#### There is no sound from the iPod.

- Make sure the iPod is securely connected.
- Adjust the VOLUME.

#### The iPod cannot be operated with this unit.

- Make sure the iPod is securely connected.

#### The iPod cannot be charged.

- Make sure the iPod is securely connected.

#### When daylight saving time begins, the clock does not employ the daylight saving time automatically.

- Make sure the clock is set correctly.
- Press and hold **CLOCK** and **SNOOZE/DATE/SLEEP OFF** simultaneously for at least 2 seconds to activate the Automatic DST function.

### Specifications

#### Section for iPod

DC out: 5V  
MAX: 500mA

#### Radio section

Band	Frequency	Channel step
FM	87.5 MHz – 108 MHz	0.1 MHz
AM	530 kHz – 1 710 kHz	10 kHz

#### General

##### Speaker

Approx. 3.8 cm (1 1/2 inches) dia. 8 Ω

##### Input

AUDIO IN jack (ø 3.5 mm stereo minijack)

##### Power output

0.8 W (at 10% harmonic distortion)

##### Power requirements

120 V AC, 60 Hz

For clock back up: 3V DC, one CR2032 battery

##### Dimensions

Approx. 115 mm × 124.7 mm × 97.1 mm (w/h/d)  
(4 9/16 × 4 15/16 × 3 7/8 inches) not including projecting parts and controls

##### Mass

Approx. 510 g (1 lb 1.9 oz) including power supply unit

##### Supplied accessories

- Remote commander (1)
- AM loop antenna (1)
- Audio connecting cable (1)
- Universal Dock Adapter for iPhone (1)
- Universal Dock Adapter for iPhone 3GS & iPhone 3G (1)
- Universal Dock Adapter for iPhone 4S & iPhone 4 (1)

Design and specifications are subject to change without notice.

### Compatible iPod/iPhone models

Compatible iPod/iPhone models are as follows. Update your iPod/iPhone to use the latest software before you use it.

- iPod touch (4th generation)
- iPod touch (3rd generation)
- iPod touch (2nd generation)
- iPod touch (1st generation)
- iPod nano (6th generation)\*
- iPod nano (5th generation)
- iPod nano (4th generation)
- iPod nano (3rd generation)
- iPod nano (2nd generation)
- iPod nano (1st generation)
- iPod with video
- iPod with color display
- iPod with click wheel
- iPod classic
- iPod mini
- iPhone 4S
- iPhone 4
- iPhone 3GS
- iPhone 3G
- iPhone

\* The iPod nano (6th generation) cannot be controlled by the remote when the command of "MENU", "♦", "♣", and "ENTER" is pressed.

#### Notes

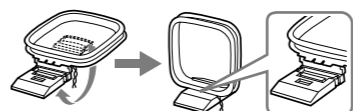
- In these Operating Instructions, "iPod" is used as a general reference to functions of iPod on an iPod or iPhone, unless otherwise specified by the text or illustrations.
- The connector of the unit is for sole use with an iPod. If you use devices that do not match with the connector, connect to the **AUDIO IN** terminal of this unit with the supplied audio connecting cable.
- Sony cannot accept responsibility in the event that data recorded to an iPod is lost or damaged when using an iPod connected to this unit.

### Connecting the antenna

#### To connect the AM loop antenna

The shape and the length of the antenna is designed to receive AM signals. Do not dismantle or roll up the antenna.

- 1 Remove only the loop part from the plastic stand.
- 2 Set up the AM loop antenna.



- 3 Connect the cords to the AM antenna terminals.

Cord (A) or cord (B) can be connected to either terminal.

**Insert the cord while pushing down the terminal clamp.**



- 4 Make sure the AM loop antenna is connected firmly by pulling softly.

#### Adjusting the AM loop antenna

Find a place and an orientation that provide good reception.

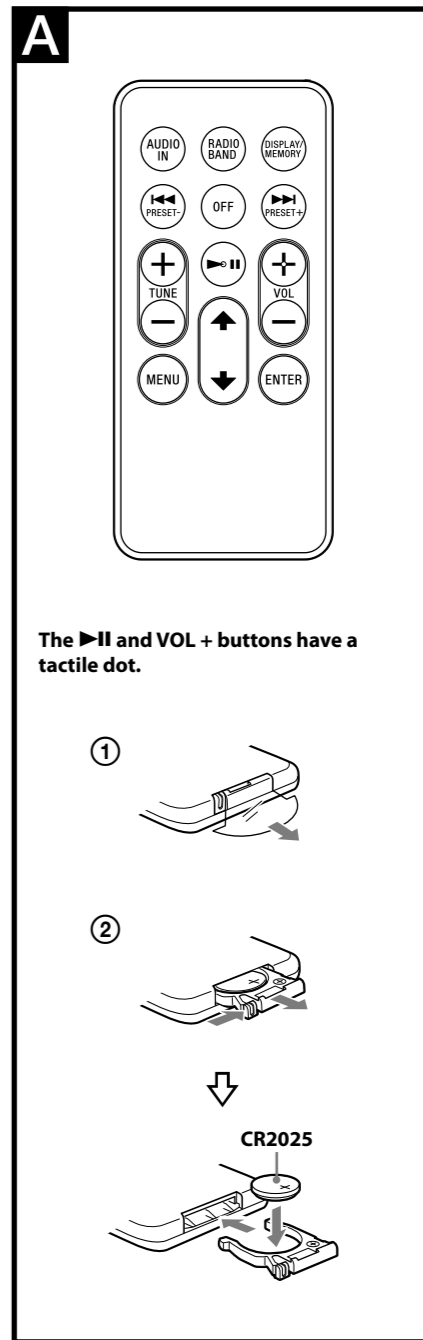
- Do not place the AM loop antenna near the unit or other AV equipment, as noise may result.

#### Tip

Adjust the direction of the AM loop antenna for best AM broadcast sound.

### Preparing the remote commander

Before using the card remote commander for the first time, remove the insulation film (See Fig. A-①).



#### When to replace the battery

With normal use, the battery (CR2025) should last for about six months. When the remote commander no longer operates the unit, replace the battery with a new one (See Fig. A-②).

#### Notes

- Do not attempt to charge the battery.
- If you are not going to use the remote commander for a long time, remove the battery to avoid any damage that may be caused by leakage and corrosion.

### About the backup battery

To keep accurate time, this unit contains a CR2032 battery inside of the unit as a backup power source. The battery keeps the clock operating in the event of a power interruption.

#### Knowing when to replace the battery

When the battery becomes weak, "☞" appears in the display.

If a power interruption occurs while the battery is weak, the current time and alarm will be erased. Replace the battery with a Sony CR2032 lithium battery. Use of another battery may cause a fire or explosion.

#### Note

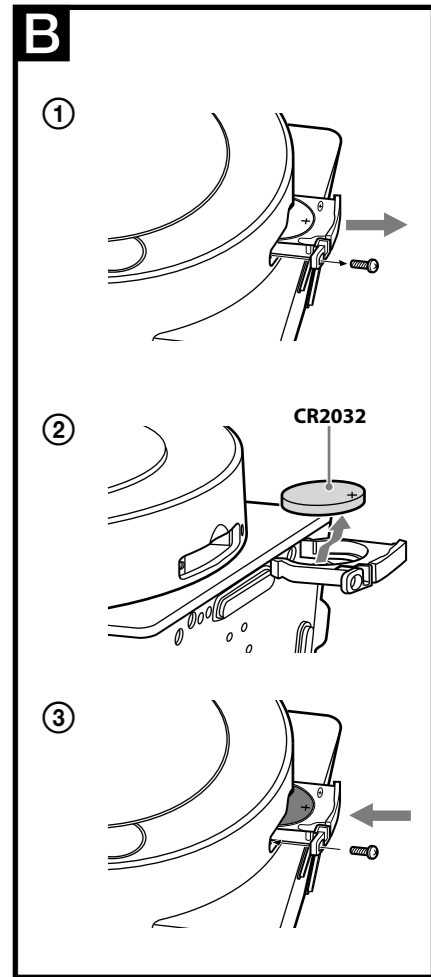
If "AM 12:00" flashes in the display when the unit is connected to AC outlet for the first time, the battery may be weak. In this case, consult your Sony dealer.

#### Replacing the battery

- 1 Keep the AC plug connected to the AC outlet, remove the screw that secures the battery holder at the bottom of the unit using a screwdriver, and remove the battery holder (See Fig. B-①).
- 2 Replace a new battery in the battery holder with the + side facing up (See Fig. B-②).
- 3 Insert the battery holder back into the unit and secure it with the screw (See Fig. B-③).
- 4 Press **iPod&iPhone**, **RADIO BAND**, **AUDIO IN** or **SNOOZE/DATE/SLEEP OFF** to turn "☞" off in the display.

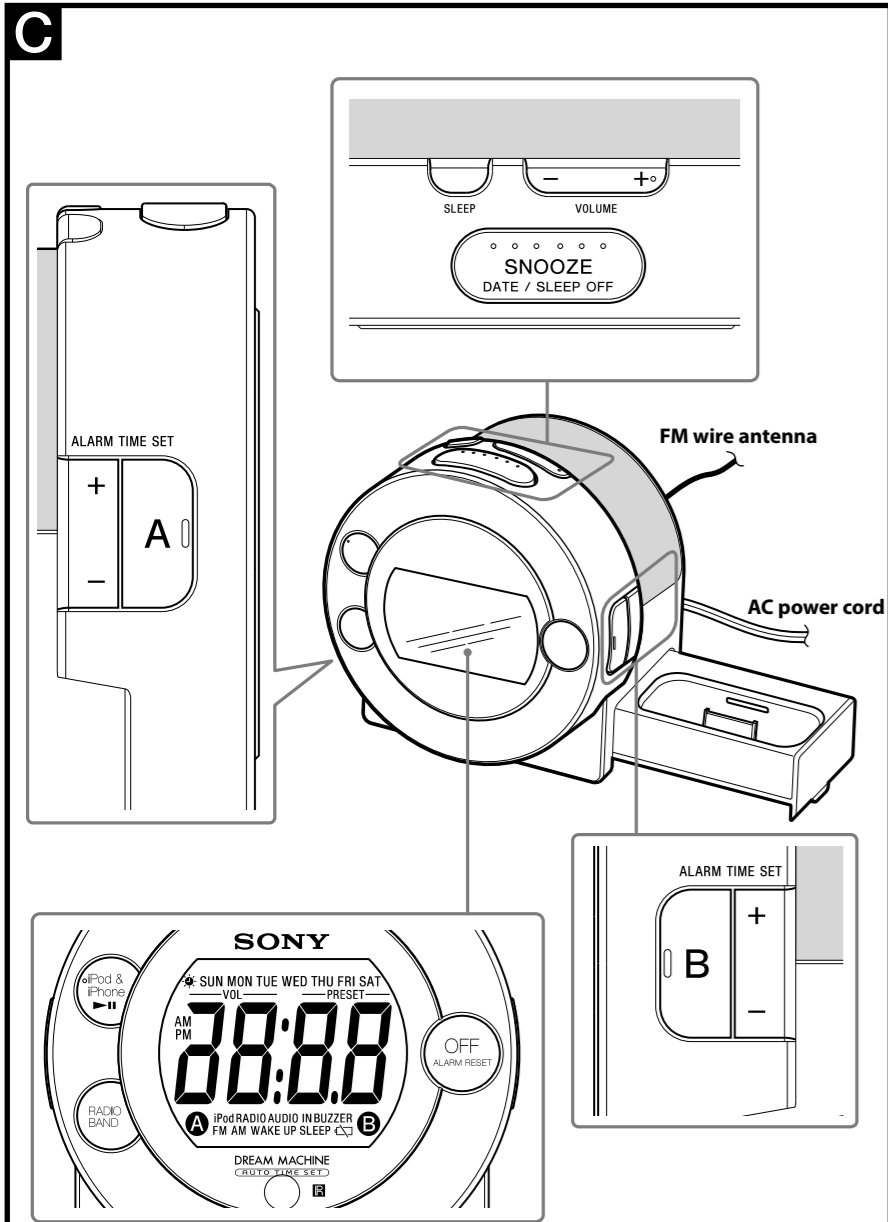
#### Note

When you replace the battery, do not disconnect the plug from the AC outlet. Otherwise, the calendar, current time, alarm and station presets will be erased.

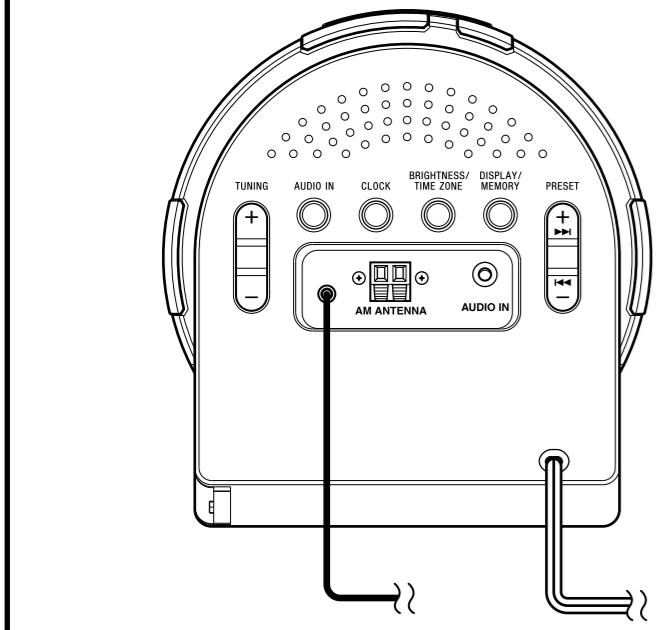


#### If the time in the display is incorrect after the battery is changed (Reset)

Press the Reset button with a pointed device. The Reset button is in the small hole located near the battery holder.



The iPod & iPhone ►II and VOLUME + buttons have a tactile dot.



## Setting the clock for the first time

This unit is preset to the current EST (Eastern Standard Time) at the factory, and is powered by a backup battery. All you need to do the first time is just plug it in and select your time zone.

- 1 Plug in the unit. The current EST (Eastern Standard Time) appears in the display.
- 2 Press and hold **BRIGHTNESS/TIME ZONE** for at least 2 seconds. Area number “2” flashes in the display.
- 3 Press **ALARM TIME SET +** or **-** repeatedly to select the number as follows:

Area number	Time zone
1	Atlantic standard Time
2	Eastern standard Time (default setting)
3	Central standard Time
4	Mountain standard Time

5	Pacific standard Time
6	Alaska standard Time
7	Hawaii standard Time

- 4 Press **BRIGHTNESS/TIME ZONE** to set. **Note** Though the clock is correctly set at the factory, discrepancies may arise during transport or storage. If necessary, set the clock to the correct time by referring to “Setting the clock manually.”

## When daylight saving time (summer time) begins

This model automatically adjusts for daylight saving time (summer time). “\*” is displayed from the beginning of daylight saving time (summer time) and disappears at the end of daylight saving time (summer time) automatically.

- Daylight saving time (summer time) begins at 2:00 AM on the second Sunday of March.
- Standard time begins at 2:00 AM on the first Sunday of November.

## To cancel Automatic DST/Summer Time adjustment during the daylight saving time (summer time) period

The Automatic DST/Summer Time adjustment can be canceled. Press and hold **CLOCK** and **SNOOZE/DATE/SLEEP OFF** at the same time for at least 2 seconds while the clock is displayed. “\*” and “OFF” appear in the display to show that Automatic DST/Summer Time adjustment has been canceled. The display returns to the clock.

- Notes**
- The change timing of Automatic DST/Summer Time adjustment employed by the unit (see above) is subjected to variation by circumstances and the law in each country/region. In such a case, cancel the Automatic DST/Summer Time adjustment and set the DST display manually as necessary. Customers living in a country/region that do not use daylight saving time (summer time) must cancel Automatic DST/Summer Time adjustment before using the unit.
  - To activate Automatic DST/Summer Time adjustment again, press and hold **CLOCK** and **SNOOZE/DATE/SLEEP OFF** at the same time for at least 2 seconds. “\*” and “On” appear in the display to show that Automatic DST/Summer Time adjustment has been activated. The display returns to the clock.

## Setting the clock manually

- 1 Plug in the unit.
- 2 Press and hold **CLOCK** for at least 2 seconds. The year starts to flash in the display.
- 3 Press **ALARM TIME SET +** or **-** repeatedly to set the year.
- 4 Press **CLOCK**.
- 5 Repeat steps 3 and 4 to set the month, day, hour and minute, and then press **CLOCK**. The seconds start incrementing from zero.

- Notes**
- If you do not press any button for about 1 minute while setting the clock, the clock setting will be canceled.
  - A calendar is installed in this unit. When the date is set, the day of the week is automatically displayed. SUN = Sunday, MON = Monday, TUE = Tuesday, WED = Wednesday, THU = Thursday, FRI = Friday, SAT = Saturday

## To display the year and date

Press **SNOOZE/DATE/SLEEP OFF** once for the date, and press it again for the year. After a while, the display will change back to the current time automatically.

## Setting the brightness of the display

Three levels of brightness are available by pressing **BRIGHTNESS/TIME ZONE**.

High (default) → Middle → Low

## Playing the radio

### –Manual tuning

- 1 Press **RADIO BAND** to turn on the radio and select the AM or FM band.
- 2 Press **TUNING +** or **-** to tune in to a desired frequency.
- 3 Adjust the volume using **VOLUME +** or **-**.

### Tuning in to a station

The unit automatically scan AM or FM stations.

- 1 Press **RADIO BAND** to turn on the radio to select the AM or FM band.
- 2 Press and hold **TUNING +** or **-**. + : scans upward through the frequency bands. - : scans downwards through the frequency bands. Scanning starts from the currently-tuned frequency. When a station is received, scanning stops.

- 3 Adjust the volume using **VOLUME +** or **-**.

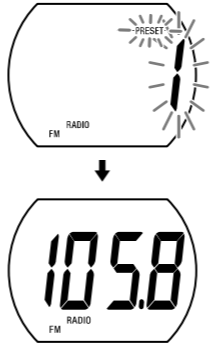
### –Preset tuning

You can preset 20 stations for FM and 10 stations for AM.

### Presetting a station

- 1 Follow steps 1 and 2 in “Manual tuning” to tune the frequency you wish to preset.
- 2 Press and hold **DISPLAY/MEMORY** for at least 2 seconds.
- 3 Press **PRESET +** or **-** to select the preset number, then press **DISPLAY/MEMORY**. The frequency is stored with the selected preset number.

**Example:** The following display appears when you preset FM 105.8 MHz to preset number 1 for FM.



The display shows the frequency for about 10 seconds, and then returns to the current time.

To preset another station, repeat these steps.

- Note**
- If you try to store another station with the same preset number, the previously stored station will be replaced.

### Tuning in to a preset station

- 1 Press **RADIO BAND** to turn on the radio and select the AM or FM band.
- 2 Press **PRESET +** or **-** to select the desired preset number.
- 3 Adjust the volume using **VOLUME +** or **-**.

### –Auto preset tuning

- 1 Press **RADIO BAND** to turn on the radio and select the AM or FM band.
- 2 Press and hold **RADIO BAND** until “AP” appears in the display.
- 3 Press **DISPLAY/MEMORY**. The unit automatically presets the available channels in order.

## Improving the reception

**FM:** Extend the FM wire antenna fully to increase reception sensitivity.  
**AM:** Connect the supplied AM loop antenna to the unit. Rotate the antenna horizontally for optimum reception.

### Notes on radio reception

- Keep digital music players or mobile phones away from the AM loop antenna or the FM antenna, as this may lead to reception interference.
- When you are listening to the radio with an iPhone connected to the unit, interference with radio reception may occur.
- When you are listening to the radio while charging an iPod, interference with radio reception may occur.

## Playing an iPod

You can enjoy audio from iPod by connecting to this unit. To use an iPod, refer to the user’s guide of your iPod.

If you are using an iPhone 4S, iPhone 4, iPhone 3GS, iPhone 3G or iPhone, attach the supplied universal dock adapter for iPhone 4S, iPhone 4, iPhone 3GS, iPhone 3G or iPhone before connecting.

The adapter number, ⑫, ⑮ or ⑰, is shown on the bottom-rear of the supplied universal dock adapters. ⑫ is for the iPhone, ⑮ is for the iPhone 3GS & iPhone 3G and ⑰ is for the iPhone 4S & iPhone 4. Check the adapter number before use.

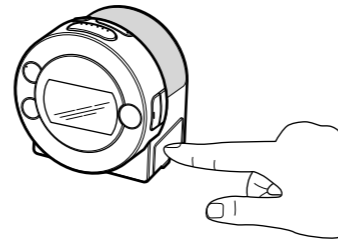
### Universal dock adapter



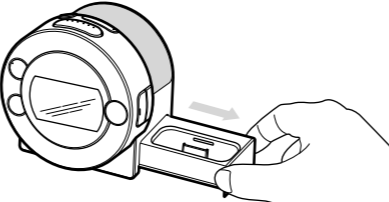
### Notes

- When inserting an iPod into the unit, be sure to use the universal dock adapter supplied with your iPod or commercially available from Apple Inc.
- The connector of the unit is exclusively for use with an iPod. If you use a device that does not match the connector, connect it to the **AUDIO IN** terminal of this unit with the supplied audio connecting cable.
- Sony cannot accept responsibility in the event that data recorded on an iPod is lost or damaged when using an iPod connected to this unit.
- For details of environmental conditions for operating your iPod, check the website of Apple Inc.

- 1 Press **PUSH OPEN**. The Docking Tray is ejected halfway.



- 2 Pull the Docking Tray all the way out.



- 3 Attach the adapter for your iPod/iPhone.
- 4 Insert your iPod/iPhone into the connector of the unit.
- 5 Press **iPod & iPhone ►II**. The iPod begins to play automatically. You can operate the connected iPod by this unit or the buttons on iPod.
- 6 Adjust the volume using **VOLUME +** or **-**.

To	Press
Turn off the iPod	<b>OFF</b> , or press and hold <b>iPod &amp; iPhone ►II</b>
Pause playback	<b>iPod &amp; iPhone ►II</b> To resume play, press it again.
Go to the next track	▶▶
Go back to the previous track	◀◀
Locate a point while listening to the sound	▶▶ (forward) or ◀◀ (backward) while playing and hold it until you find the point.
Locate a point while observing the display	▶▶ (forward) or ◀◀ (backward) in pause and hold it until you find the point.
Go back to the previous menu	<b>MENU**</b>
Select a menu item or a track for playback	◆/◆**
Execute the selected menu or begin playback	<b>ENTER**</b>

\* During playback, this operation goes back to the beginning of the current track. To go back to the previous track, press twice.

\*\* These operations are available only when using the supplied remote commander.

### Notes

- When placing or removing the iPod, hold the iPod at the same angle as that of the connector on this unit, and do not twist or bend the iPod as connector damage may result.
- Do not carry the unit with an iPod set on the connector. Doing so may cause a malfunction.
- When placing or removing the iPod, hold the Docking Tray securely with one hand and take care not to press the controls of the iPod by mistake.
- Before disconnecting the iPod, pause playback.

### To use the unit as a battery charger

You can use the unit as a battery charger. Charging begins when the iPod is connected to the unit. Charging status appears in the display of iPod. For details, see the user’s guide of your iPod.

### On copyrights

iPhone, iPod, iPod classic, iPod nano, and iPod touch are trademarks of Apple Inc., registered in the U.S. and other countries. “Made for iPod,” and “Made for iPhone” mean that an electronic accessory has been designed to connect specifically to iPod or iPhone, respectively, and has been certified by the developer to meet Apple performance standards. Apple is not responsible for the operation of this device or its compliance with safety and regulatory standards. Please note that the use of this accessory with iPod or iPhone may affect wireless performance.

## Setting the alarm

This clock radio is equipped with 3 alarm modes—iPod, radio and buzzer. Before setting the alarm, make sure to set the clock (see “Setting the clock for the first time”).

### To Set the alarm

- 1 Press and hold **ALARM TIME SET A** or **B** for at least 2 seconds. “WAKE UP” appears and the hour flashes in the display.
- 2 Press **ALARM TIME SET +** or **-** repeatedly until the desired hour appears. To cycle the hour rapidly, press and hold **ALARM TIME SET +** or **-**.
- 3 Press **ALARM TIME SET A** or **B**. The minute flashes.
- 4 Repeat step 2 to set the minute.
- 5 Press **ALARM TIME SET A** or **B**. The days of the week flash.
- 6 Repeat step 2 to set the days of the week. You can select the days from the following three options: Every day: SUN MON TUE WED THU FRI SAT Week day: MON TUE WED THU FRI Week end: SUN SAT
- 7 Press **ALARM TIME SET A** or **B**. The alarm mode setting is entered.
- 8 Press **ALARM TIME SET +** or **-** repeatedly until the desired alarm mode flashes. You can choose one of 3 settings: “iPod”, “RADIO” or “BUZZER”. Set the alarm mode as follows: – iPod: see “[A] Setting the alarm for iPod.” – RADIO: see “[B] Setting the radio alarm.” – BUZZER: see “[C] Setting the buzzer alarm.”

### [A] Setting the alarm for iPod

- 1 Perform steps 1 to 8 in “To set the alarm.”
  - 2 Press **ALARM TIME SET A** or **B** to select alarm mode for “iPod”. “VOL” appears in the display.
  - 3 Press **ALARM TIME SET +** or **-** to adjust the volume.
  - 4 Press **ALARM TIME SET A** or **B**. The setting is entered.
  - 5 If “A” or “B” does not appear in the display, press **ALARM TIME SET A** or **B** again. The iPod will sound at the set time.
- When using an iPod touch/iPhone**
- To wake up to music stored in an iPod touch/iPhone, connect the iPod touch/iPhone to the unit first, follow the steps above to set alarm time, and then select the music function.
  - Even if the alarm setting for iPod is complete, if you turn the power of iPod touch/iPhone off before inserting the iPod touch/iPhone into the unit, the alarm for iPod will not work.

### [B] Setting the radio alarm

- 1 Perform steps 1 to 8 in “To set the alarm.”
- 2 Press **ALARM TIME SET A** or **B** to select “RADIO” alarm mode. “VOL” appears in the display.
- 3 Press **ALARM TIME SET +** or **-** to adjust the volume.
- 4 Press **ALARM TIME SET A** or **B**. Band (“FM” or “AM”) or “- -” flashes. “- -” is the last station received.

- 5 Press **ALARM TIME SET +** or **-** to select the desired band or “- -”. If you select “- -”, jump to step 8.
- 6 Press **ALARM TIME SET A** or **B**. The preset number flashes.
- 7 Press **ALARM TIME SET +** or **-** to select the desired preset number. The setting is entered.
- 8 If “A” or “B” does not appear in the display, press **ALARM TIME SET A** or **B** again. The radio will turn on at the set time.

### [C] Setting the Buzzer Alarm

- 1 Perform steps 1 to 8 in “To set the alarm.”
- 2 Press **ALARM TIME SET A** or **B** to select “BUZZER” alarm mode. The setting is entered.
- 3 If “A” or “B” does not appear in the display, press **ALARM TIME SET A** or **B** again. The buzzer will sound at the set time.

**Note**  
The volume cannot be set for the buzzer alarm.

**To confirm an alarm time setting**  
Press **ALARM/TIME SET +** or **-**. The setting will be displayed for about 4 seconds.

**To change an alarm setting**  
Press and hold **ALARM/TIME SET +** for at least 2 seconds to move the alarm time forwards. Press and hold **ALARM/TIME SET -** for at least 2 seconds to move the alarm time back. When you release the button, the changed time will be displayed for about 2 seconds. To change the alarm time again, press **ALARM/TIME SET +** or **-** within these 2 seconds, otherwise the setting change will be fixed as displayed.

**To doze for a few more minutes**  
Press **SNOOZE/DATE/SLEEP OFF**. The sound turns off but will automatically come on again after about 10 minutes. You can change the snooze time by pressing **SNOOZE/DATE/SLEEP OFF** repeatedly within 4 seconds. The maximum length of the snooze time is 60 minutes.

**To stop the alarm**  
Press **OFF/ALARM RESET** to turn off the alarm. The alarm will sound again at the same time the next day.

**To deactivate the alarm**  
Press **ALARM TIME SET A** or **B** to turn off the **ALARM A** or **B** indicator from the display.

**Note on the alarm in the event of a power interruption**  
In the event of a power interruption, the alarm will work until the battery is totally discharged. However, certain functions will be affected as follows:

- The backlight will not light up.
- If the alarm mode is set to iPod or radio, it will change to BUZZER automatically.
- If a power interruption occurs while the alarm is sounding, the alarm will stop.
- If **OFF/ALARM RESET** is not pressed, the alarm will sound for about 5 minutes.
- If “∞” appears in the display, the alarm will not sound in the event of power interruption. Replace the battery if “∞” appears.
- The snooze function will not work.
- During a power interruption, the alarm will sound at the set time only once.

## Setting the sleep timer

You can fall asleep to the music, etc., using the built-in sleep timer that turns off the unit automatically after a preset duration.

- 1 Press **SLEEP** while the unit is turned on. “SLEEP” appears and the sleep time flashes in the display.
- 2 Press **SLEEP** to set the sleep timer duration. Each time you press **SLEEP**, the duration (in minutes) changes as follows: 90 → 60 → 30 → 15 → OFF ←

The display returns to clock mode for about 4 seconds after you have finished the duration setting and released **SLEEP**, and then the sleep timer starts. The unit will play for the duration you set, and then shut off.

**To turn off the unit before the preset time**

Press **SNOOZE/DATE/SLEEP OFF** or **OFF/ALARM RESET**.

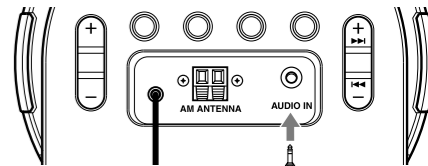
**To change the sleep timer setting**  
You can press **SLEEP** repeatedly to select the desired sleep timer setting even after the sleep timer has been activated.

**To deactivate the sleep timer**  
Press **SLEEP** repeatedly to set the sleep timer to “OFF” in step 2.

## Connecting external equipment

### To listen to sound

- 1 Connect the **AUDIO IN** jack of the unit to the line out jack or headphone jack of the external equipment using the audio connecting cable (supplied).



- 2 Press **AUDIO IN** to display “AUDIO IN”.
- 3 Play the equipment connected to the **AUDIO IN** jack.
- 4 Adjust the volume using **VOLUME +** or **-**.

**To return to the radio**  
Press **RADIO BAND**. The frequency is shown in the display.

**To return to the iPod**  
Press **iPod & iPhone ►II**.

**To stop listening**  
Press **OFF**, and stop playback on the connected unit.

- Notes**
- Refer also to the connected equipment’s manual.
  - The supplied audio connecting cable may not be used with some external equipment. In this case, use a cord suitable for the external equipment you are using.
  - When you listen to the radio with external equipment connected, turn off the connected equipment to prevent noise. If noise occurs, even when the equipment is turned off, disconnect and place the external equipment away from the unit.