

# LCD Digital Color TV

Quick Setup Guide

### Sony Customer Support

U.S.A.: [www.sony.com/tvsupport](http://www.sony.com/tvsupport)  
Canada: [www.sony.ca/support](http://www.sony.ca/support)

United States: 1.800.222.SONY  
Canada: 1.877.899.SONY  
Please Do Not Return the Product to the Store

KDL-46VL160  
KDL-40VL160

© 2009 Sony Corporation  
Printed in U.S.A.

## The BRAVIA® Full HDTV Experience

Thank you for choosing Sony! Your new BRAVIA® TV opens the door to the "Full HDTV Experience." This guide will help you get the most out of your TV.

Please take a moment to register your TV at:  
U.S.A.: <http://productregistration.sony.com>  
Canada: <http://www.SonyStyle.ca/registration>

### Four Steps to a Full HD Experience

Set, Source, Sound, and Setup.

#### Set

Now that you have made the best selection in LCD TV technology, be sure to remove all accessory contents from the packaging before setting up your TV.

#### Source

To experience the stunning detail of your BRAVIA TV, you need access to HD programming.

- Upgrade your signal or content source to high-definition (HD) by contacting your HD service provider.
- Receive over-the-air HD broadcasts with an HD-quality antenna connected directly to the back of your TV. Visit [www.antennaweb.org](http://www.antennaweb.org) for more information on antenna selection and setup.
- Discover the wealth of entertainment now available on super-high resolution Blu-ray Disc™ player and other Sony HD equipment.

4-146-180-11(1)  
4 1 4 6 1 8 0 1 1 1

#### Sound

Complete the high-definition experience with a BRAVIA Sync™ surround sound system or A/V receiver from Sony.

#### Setup

Install your TV and connect your sources. See the reverse side of this guide for sample connection diagrams.

The following chart shows the high-definition (HD) and standard-definition (SD) video formats supported by your BRAVIA TV inputs.

INPUT	VIDEO	AUDIO	SUPPORTED FORMATS					
			1080i/24p	1080p	1080i	720p	480p	480i
HD	HDMI 1 HDMI 2 HDMI 3 HDMI 4	When HDMI is connected to DVI with an adapter, a separate Audio L/R is necessary.	✓	✓	✓	✓	✓	✓
	COMPONENT 1 COMPONENT 2	Audio L/R	✓	✓	✓	✓	✓	
	VIDEO 1	S VIDEO connection					✓	
SD	VIDEO 1 VIDEO 2 VIDEO 3	Composite video connection					✓	
		Audio L/R					✓	

\*For supported PC formats see the Operating Instructions.

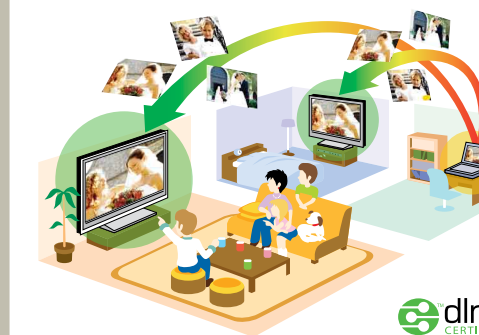
To help assure the highest quality for your HD experience, use Sony HDMI (High-Definition Multimedia Interface) cables.

To learn more about HDTV, visit:  
U.S.A.: <http://www.sony.com/HDTV>  
Canada: <http://www.SonyStyle.ca/hd>

## Features

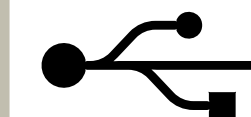
Enjoy some of the fun and entertaining features your BRAVIA TV is capable of delivering.

### DLNA Certified™ Photo Viewer



Share photos from your DLNA Certified™ equipment.

### Sony USB Photo and Music Access



Plug in Sony USB equipment to access your photo or music files.

### TV Guide On Screen®



A customized program guide allows you to search for programs faster and easier. The Guide collects\* and lists TV programming information via cable service (without a cable box) or over-the-air antenna.

\*Enabling the TV Guide On Screen feature will increase the amount of time the TV is in Download Acquisition Mode (DAM), see "Specifications" in the Operating Instructions.

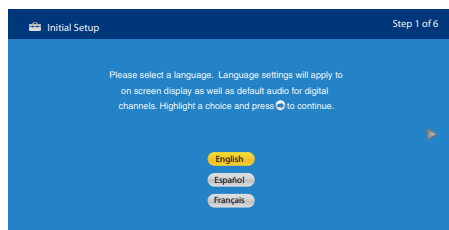
## Getting Started

### Initial Setup

Before you begin, make sure that your cables are properly connected. Connect an RF cable to the CABLE/ANTENNA input.

The first time you turn on your TV, the **Initial Setup** wizard will appear and guide you through the **Initial Setup** of your TV.

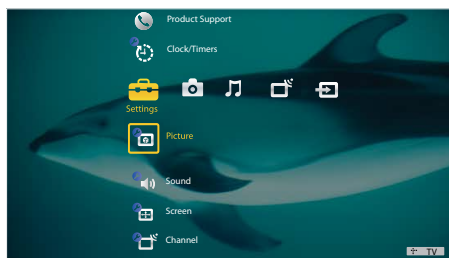
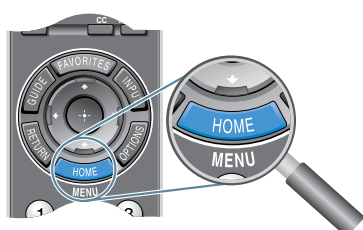
- Select your preferred language.
- Set up the TV's tuner to search for available digital and analog channels (if using a cable or satellite box, select **Select** to skip the **Auto Program**).
- Set the date and time.
- Continue on to set up the TV Guide On Screen® if you are not using a cable or satellite box. Follow the on-screen instructions to set up your system.



### TV Home Menu: XMB™ (XrossMediaBar)

The **XMB**™ is an easy way to access the TV settings and fun features.

- Press **HOME** to display the **XMB**™, use the **Up/Down/Left/Right** buttons to navigate, and highlight an icon, then press **Enter** to select.



## Watching Your BRAVIA TV

### Select Your Content

Whether you are watching cable, satellite or broadcast TV; playing a VCR, DVD or Blu-ray Disc™ player; connecting to your PC; or viewing photo files, you will need to properly connect your TV to access content.

- Select the Correct Input for Connected Equipment**  
Press **INPUT** repeatedly until your selection is highlighted on the screen. Refer to the Operating Instructions for details on labeling inputs.



- Select photo or music files from the XMB™**  
Connect to a DLNA Certified™ media server or Sony USB equipment to view photo files. Plug in Sony USB equipment and listen to music files.

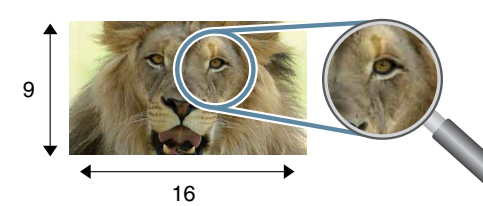
### Customize Picture and Sound Quality

You can choose optimum picture and sound settings to match the content you are displaying on your TV:

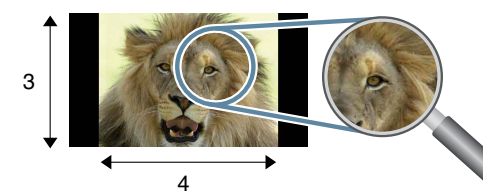
- Press **HOME** on your remote control to display the **XMB**™ and select **Picture** or **Sound** from the **Settings** menu. Choose the appropriate setting for your content.
- Press **OPTIONS** to quickly access **Picture Adjustments** and **Sound Adjustments**.
- Refer to your Operating Instructions for more information.

### Screen Shape and Aspect Ratio

High-definition and standard-definition signals are transmitted with different aspect ratios (the width-to-height ratio of the image).

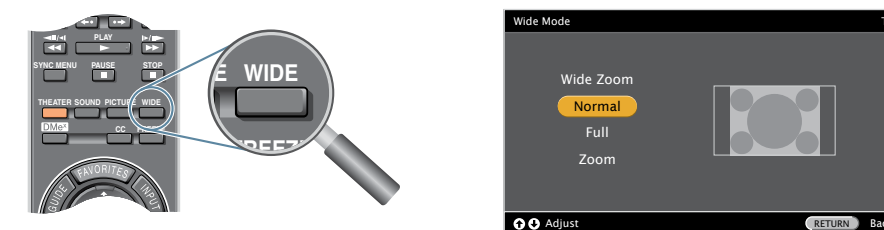


The 16:9 aspect ratio (common to most HD signals) will fill the TV screen.



The 4:3 aspect ratio (common to most SD signals) may not look as clear as a 16:9 HD signal and may need adjustment to fill the TV screen.

- Press **WIDE** to display the **Wide Mode** setting of your preference.



### Favorites



Easily access your favorite channels, inputs, photos, and music files.

### ECO-BRAVIA TV

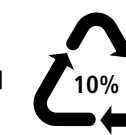


This TV includes a number of features such as **Power Saving**, **Light Sensor**, and **PC Power Management**.



### Mixed Sources

Product group from well-managed forests, controlled sources and recycled wood or fiber  
[www.fsc.org](http://www.fsc.org) Cert no. SCS-COC-001395  
© 1996 Forest Stewardship Council



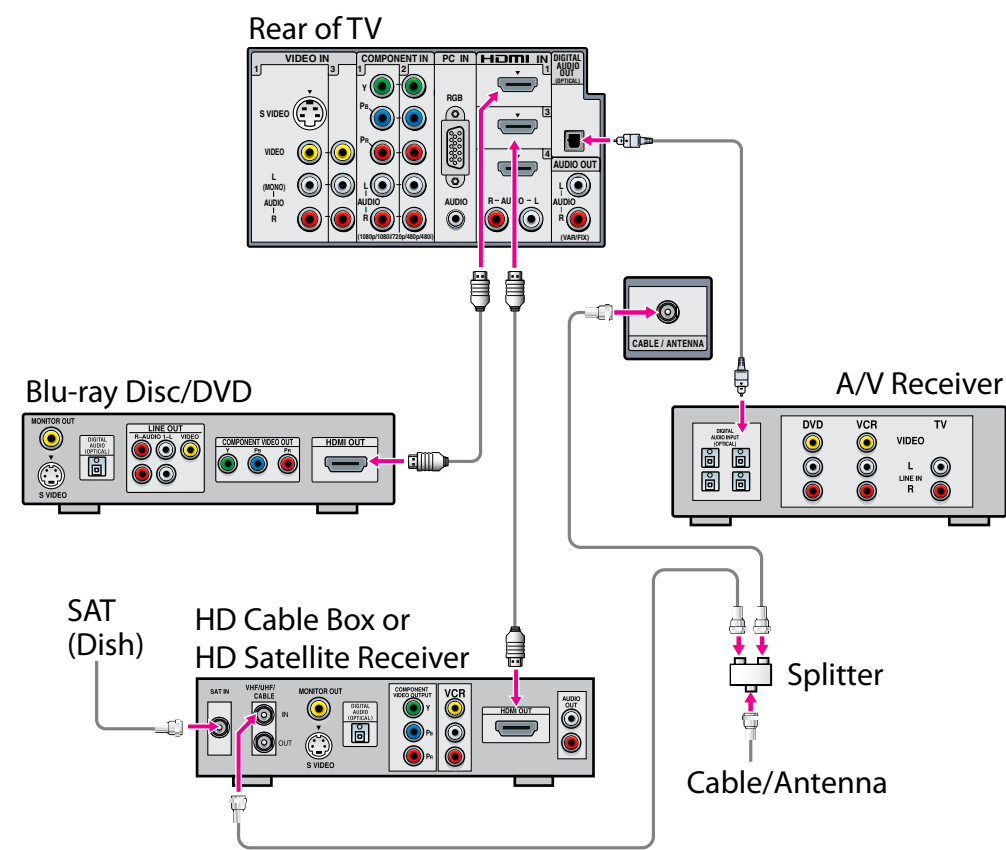
### To Do List

When the **Initial Setup** is completed, consider carrying out these items:

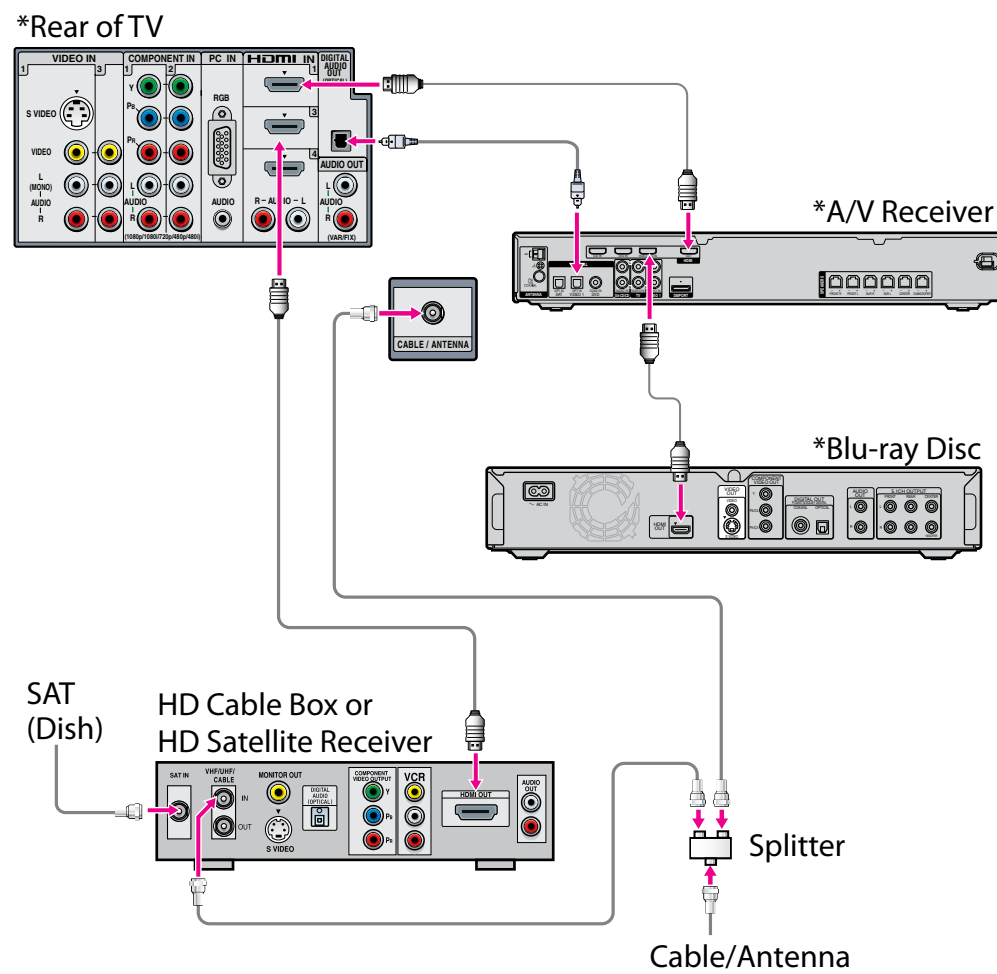
- Set Closed Captions (CC)**
- Set Parental Lock**
- Show/Hide Channels**
- Manage Inputs (Label/Enable Inputs)**
- Set Speakers**

Refer to your Operating Instructions for more information.

## HD Basic Connection with A/V Receiver

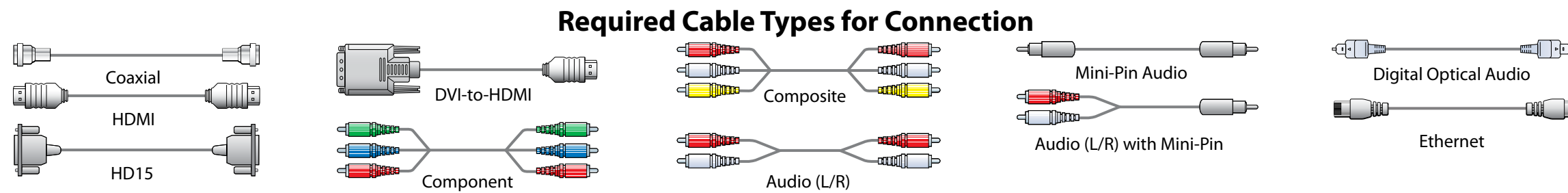
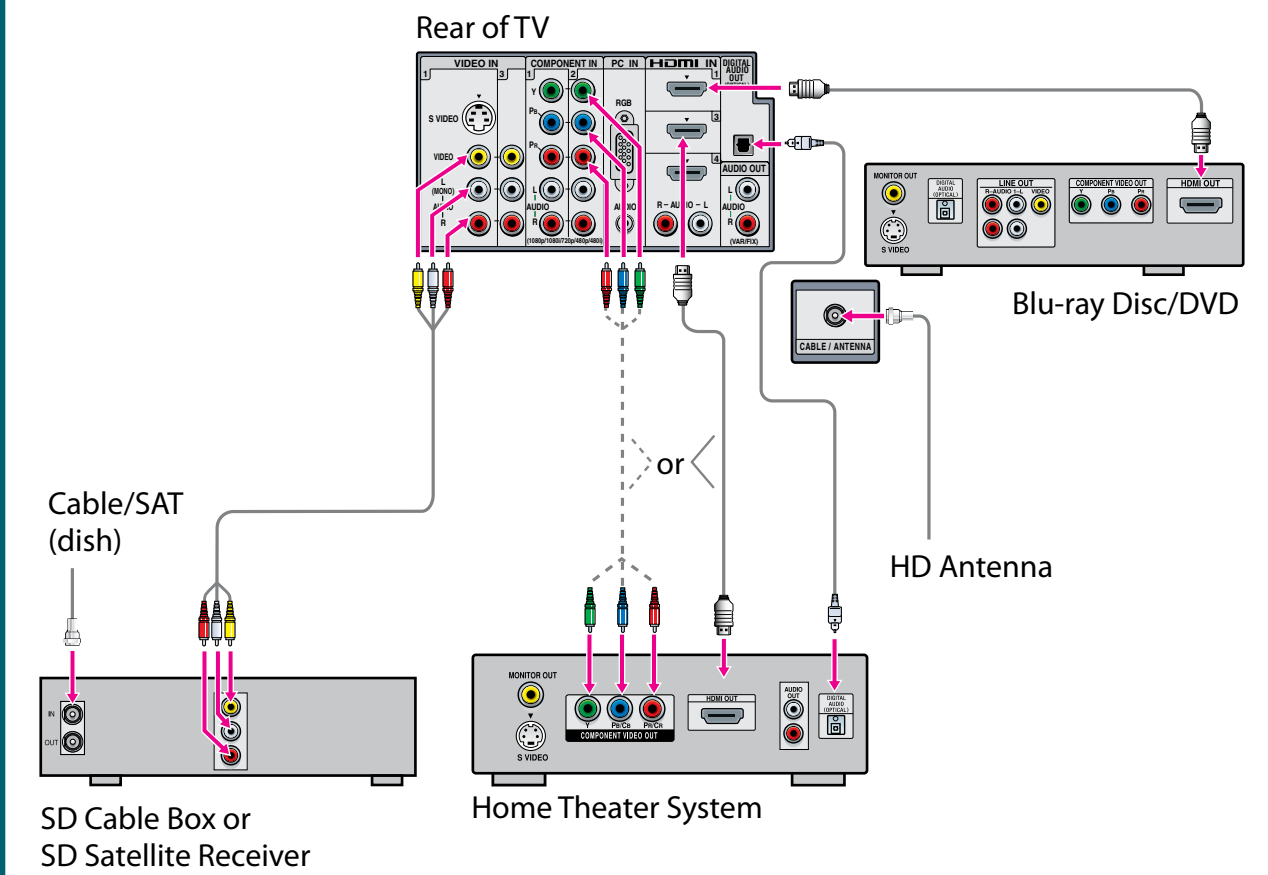


## HD BRAVIA® Sync™ Basic Connection



\* Signifies a BRAVIA Sync capable device.

## HD Basic Connection with Home Theater System



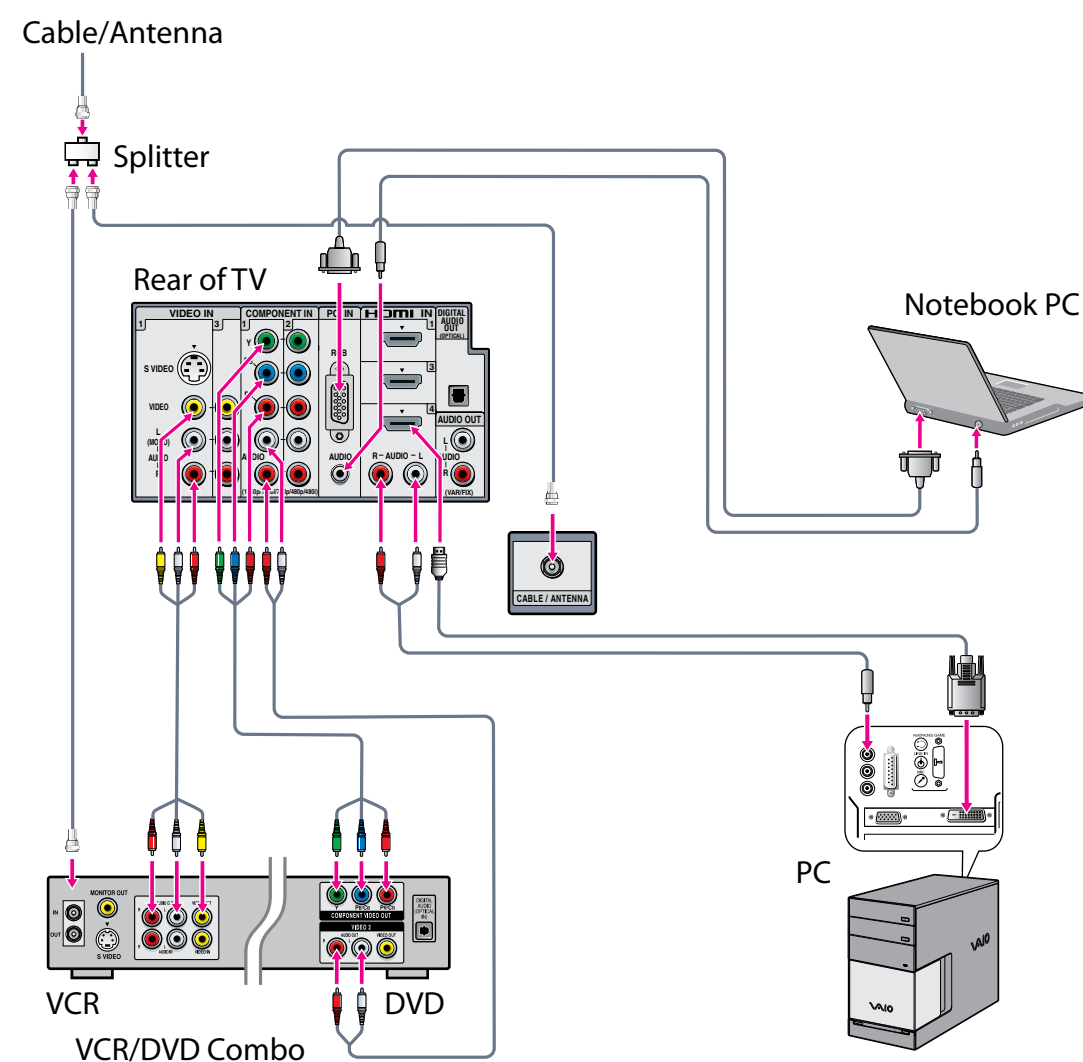
### Notes on Connection

- Connect your incoming signal source (HD Cable Box, HD Satellite Receiver, or DVD) with HDMI or component video for the best possible picture quality.
- If your connecting equipment has DVI output instead of the HDMI output, you must use a DVI-to-HDMI cable for the video and also connect an audio cable for the sound. If this is the case, connect the cable to HDMI IN 4 (input) of your TV.
- P&P/PIP functions require Cable/Antenna connection.

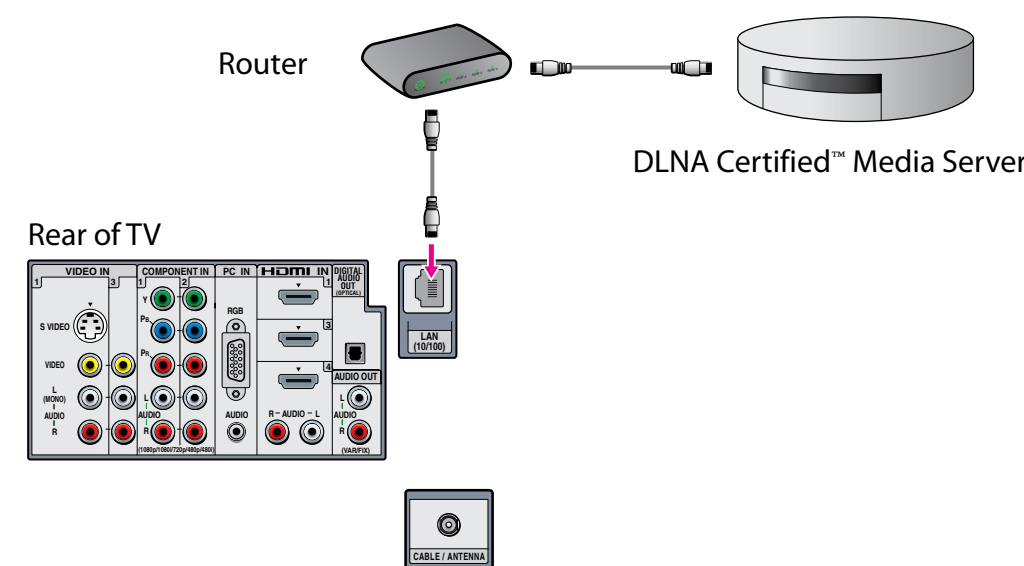
### Connecting a PC to Your BRAVIA TV

- Connect PC's audio output when using an HD15 connection.
- Press PC's FUNCTION Key + Select Output to transmit to TV.
- When using an HD15 connection, adjust TV's Pitch and Phase to correct sharpness.
- Refer to your Operating Instructions.

## PC Connection with SD VCR/DVD



## DLNA Certified™ Connection



This TV is a DLNA Certified™ Photo Viewer.

## Programming the Remote Control

Your remote control can be programmed to use other equipment and is pre-programmed to operate the following Sony equipment.

Function Button	Sony Equipment	Code Number
DVD	DVD Player	31033
AMP	Receiver	52172
STB	Digital Satellite	01639

### Programming Other Equipment

Follow the steps below to program your TV remote control.

- Look for the code in the Manufacturer's Code List (see the Operating Instructions) that corresponds to the equipment you would like to operate with the Sony remote control. If more than one code is provided, try programming the first code listed. If your equipment's code is not listed, visit <http://esupport.sony.com/remotecodes> for a more comprehensive list.
- Press and hold **[DVD]**, **[AMP]** or **[STB]** simultaneously with the **[INPUT]** button and release. When in the programming mode, the **[FUNCTION]** button blinks for approximately 30 seconds until a code is entered.
- Enter the five digit code using **[0]** - **[9]** while the **[FUNCTION]** button is lit. If the code is not entered within 30 seconds, you must repeat step 2.
- Press **[+]** or **[ENT]** to confirm the code. If successfully programmed, the **[FUNCTION]** button will blink twice, if not, it blinks five times.

### To Confirm the Programming

If you can turn your equipment on and off using the green **[POWER]** button, the programming is complete. If not, try the next code listed.

#### Note:

- In some cases, you may not be able to program your remote control. If this is the case, use your equipment's remote control.
- Any of the **[FUNCTION]** buttons can be programmed to operate other equipment regardless of the labeling. For example, if programmed with the correct code, a Blu-ray Disc player can be operated with the **[DVD]** button. This is useful if your equipment does not match any of the labeled buttons.

