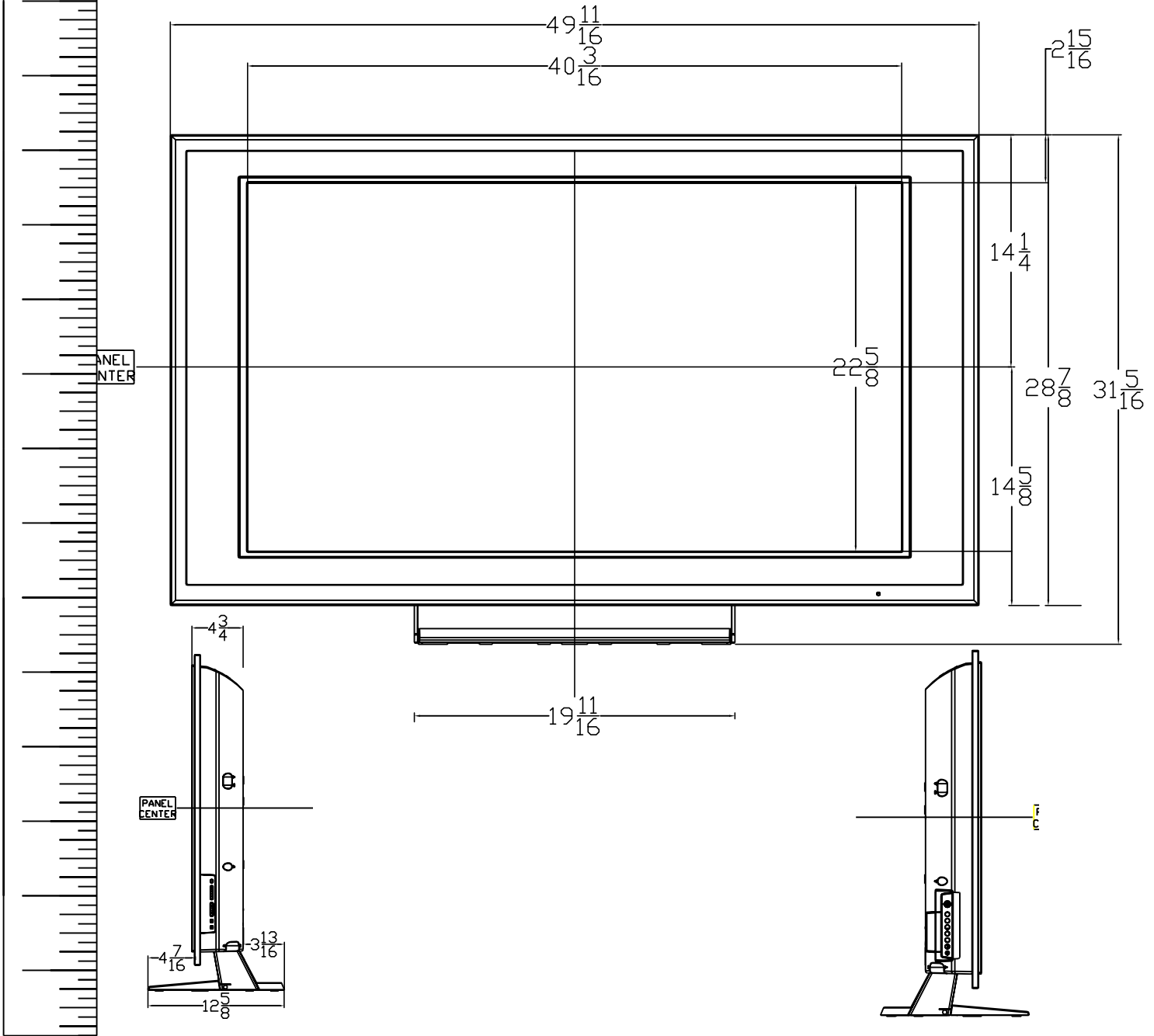


SONY

Model: KDL-46XBR2

Description: LCD TV
Dimensions: 49 11/16" 31 5/8" 12 5/8"
(WHD): 49 11/16" 28 7/8" 4 3/4" w/o stand
Weight: 90.4 lb

Power 120V AC
requirements: 60HZ
Power 120V AC
requirements: 60HZ



NOTE:
WHERE THERE ARE CLOSE TOLERANCES INVOLVED IN CABINET BUILDING OR APPLICATIONS WHICH REQUIRE A GREAT DEGREE OF PRECISION, WE RECOMMEND THAT THE PRODUCT ITSELF BE USED TO MAKE THE ACTUAL MEASUREMENTS. SONY WILL NOT BE HELD RESPONSIBLE FOR INACCURACIES IN THE DESIGN OR MANUFACTURE OF ENCLOSURES.

Sony Electronics - Park Ridge, New Jersey 07656 - Fax (201)930-7891 - www.sony.com/dn

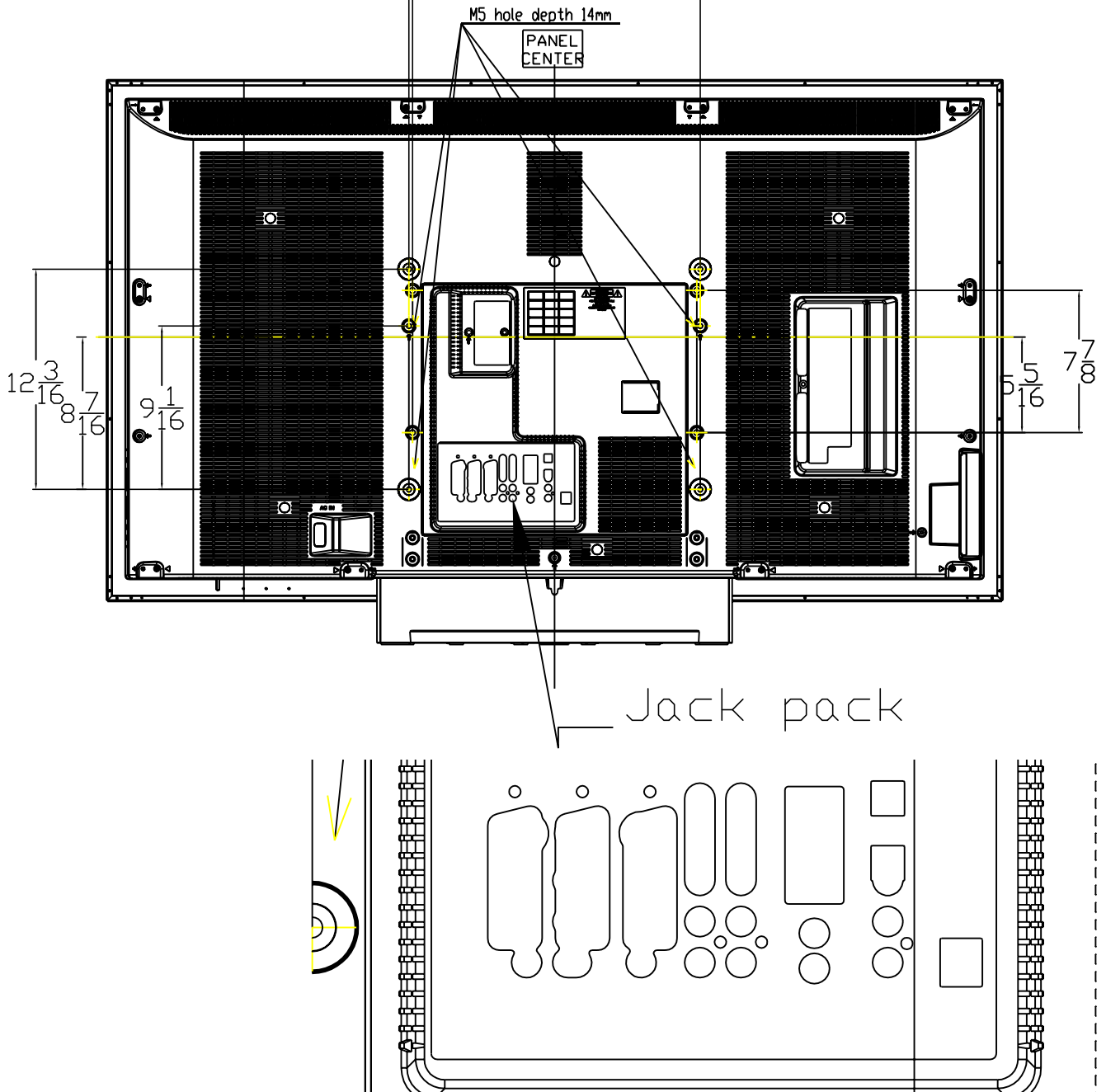
Features and specifications subject to change without notice. Non-Metric weights and measurements are approximate.

SONY

Model: KDL-46XBR2

Description: LCD TV
Dimensions: 49 $\frac{11}{16}$ " 31 $\frac{5}{16}$ " 12 $\frac{5}{8}$ "
(WHD): 49 $\frac{11}{16}$ " 28 $\frac{7}{8}$ " 4 $\frac{3}{4}$ " w/o stand
Weight: 90.4 lb

Power 120V AC
requirements: 60HZ
Power 120V AC
requirements: 60HZ



NOTE:
WHERE THERE ARE CLOSE TOLERANCES INVOLVED IN CABINET BUILDING OR APPLICATIONS WHICH REQUIRE A GREAT DEGREE OF PRECISION, WE RECOMMEND THAT THE PRODUCT ITSELF BE USED TO MAKE THE ACTUAL MEASUREMENTS. SONY WILL NOT BE HELD RESPONSIBLE FOR INACCURACIES IN THE DESIGN OR MANUFACTURE OF ENCLOSURES.

Sony Electronics - Park Ridge, New Jersey 07656 - Fax (201)930-7891 - www.sony.com/dn

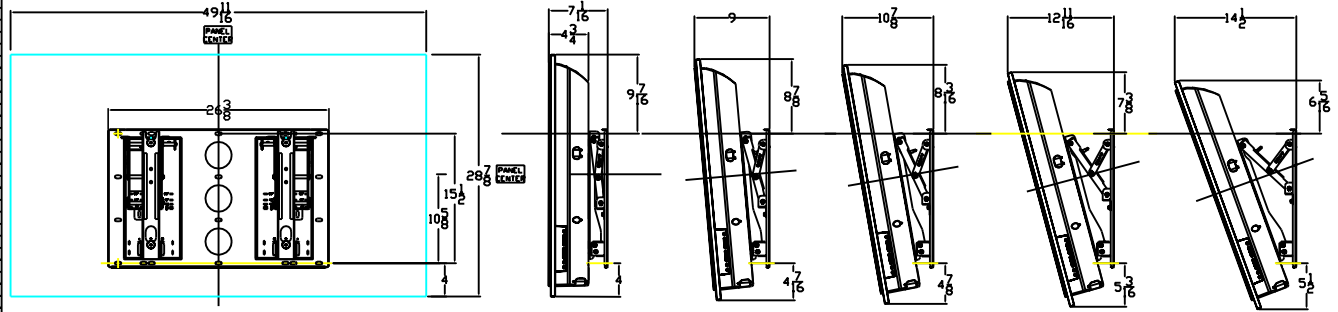
Features and specifications subject to change without notice. Non-Metric weights and measurements are approximate.

SONY

Model: KDL-46XBR2

Description: LCD TV
 Dimensions: 49 $\frac{11}{16}$ " 31 $\frac{5}{16}$ " 12 $\frac{5}{8}$ "
 (WHD): 49 $\frac{11}{16}$ " 28 $\frac{7}{8}$ " 4 $\frac{3}{4}$ " w/o stand
 Weight: 90.4 lb

Power 120V AC
 requirements: 60HZ
 Power 120V AC
 requirements: 60HZ



WALL MOUNT STAND SU-VL51.SA-4630C.D

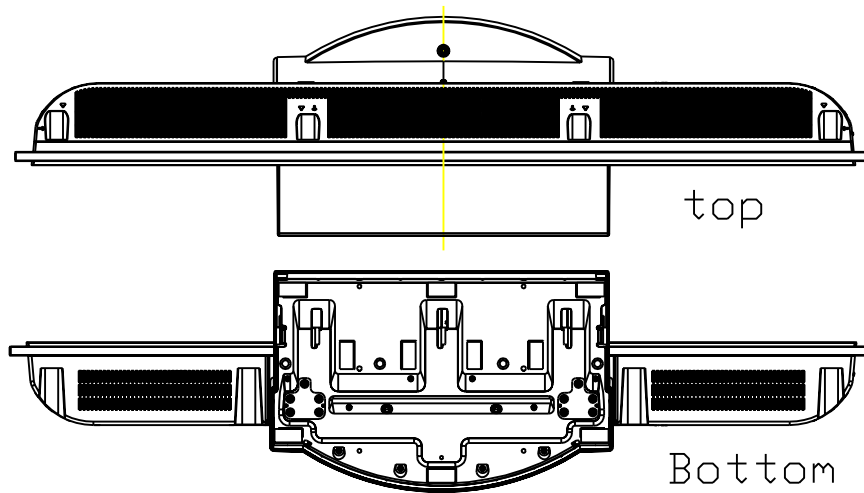
0deg

5deg

10deg

15deg

20deg



top

Bottom with base

NOTE:
 WHERE THERE ARE CLOSE TOLERANCES INVOLVED IN CABINET BUILDING OR APPLICATIONS WHICH REQUIRE A GREAT DEGREE OF PRECISION, WE RECOMMEND THAT THE PRODUCT ITSELF BE USED TO MAKE THE ACTUAL MEASUREMENTS. SONY WILL NOT BE HELD RESPONSIBLE FOR INACCURACIES IN THE DESIGN OR MANUFACTURE OF ENCLOSURES.

Sony Electronics - Park Ridge, New Jersey 07656 - Fax (201)930-7891 - www.sony.com/dn

Features and specifications subject to change without notice. Non-Metric weights and measurements are approximate.