

**SONY®**

**Draft**

# User guide

Bluetooth® Speaker with  
Magnetic Charging Pad

BSC10

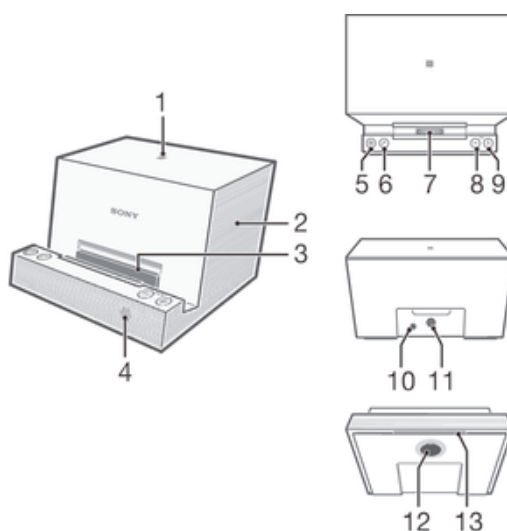
# Contents

<b>Introduction.....</b>	<b>3</b>
Overview.....	3
Notification light status.....	3
<b>Using the attachment.....</b>	<b>5</b>
<b>Charging your device.....</b>	<b>6</b>
<b>Using Bluetooth® Speaker with Magnetic Charging Pad.....</b>	<b>7</b>
<b>Disconnecting/Reconnecting your device.....</b>	<b>8</b>
<b>Legal information.....</b>	<b>9</b>
Declaration of Conformity for BSC10.....	9

# Introduction

The Bluetooth® Speaker with Magnetic Charging Pad has functions for both Bluetooth® speaker and magnet charging. With Bluetooth® Speaker with Magnetic Charging Pad, you can enjoy musics or movies with good sound quality, answer the incoming phone calls, and charge your device without having to open the USB cover. The Bluetooth® Speaker with Magnetic Charging Pad positions your device at a comfortable viewing angle so that you can easily browse content while it's charging.

## Overview



1	NFC detection area
2	Speaker
3	Attachment
4	Microphone
5	Power/Bluetooth pairing button
6	Hands free button
7	Magnet charging position
8	Volume down button
9	Volume up button
10	Audio in
11	DC in
12	Attachment exchange button
13	Power/Bluetooth notification light

## Notification light status

Flashing slowly	The Bluetooth® speaker is searching for previously connected devices to pair with.
Flashing rapidly	Pairing mode – The Bluetooth® speaker is for pairing with other devices.
Illuminating in blue	The Bluetooth® speaker is paired with a device.

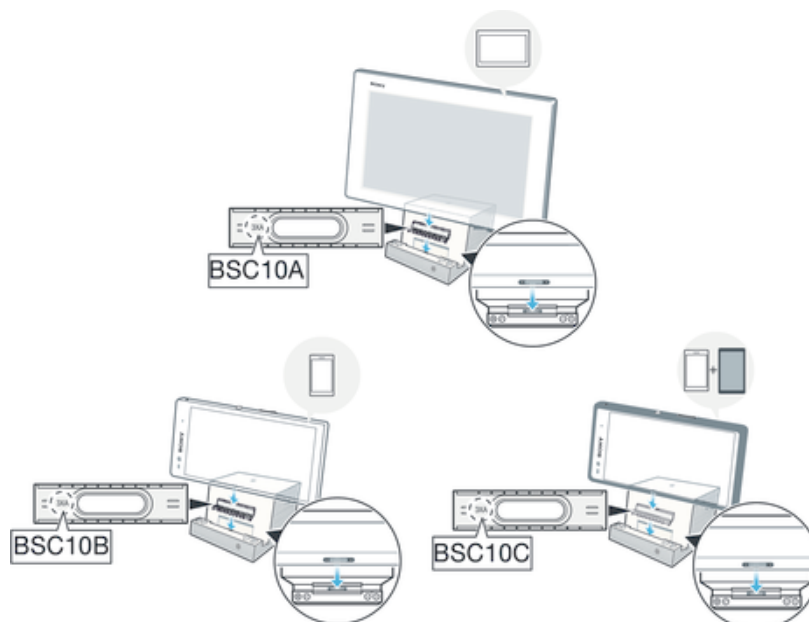
Illuminating in white The Bluetooth® speaker is plugged with an Audio-in cable.

- 💡 When several devices are available for pairing, the Bluetooth® speaker tries to pair with the most recently connected device.

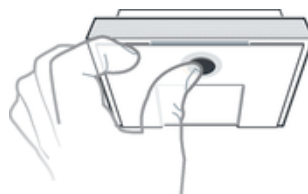
## Using the attachment

The Bluetooth® Speaker with Magnetic Charging Pad comes with three attachments of different width. Each attachment can fit into the dock and hold your device in place after you insert it. Attachment for your Xperia™ Z2 Tablet or Xperia™ Z Ultra is set on the device. Attachment with “BSC10B” is for your other phone. If your phone has a protective case, use Attachment with “BSC10C”.

- ! Attachment “BSC10C” may not be compatible with all protective cases.



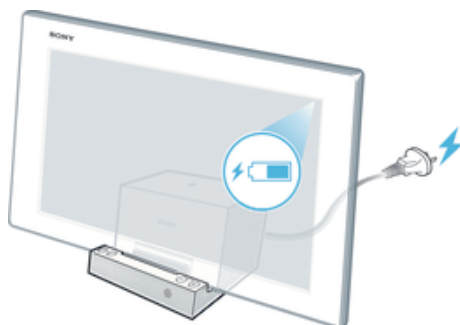
### To change the attachment



- 1 Press the button at the bottom to eject the attachment.
- 2 Put another attachment on the Bluetooth® Speaker with Magnetic Charging Pad device until you hear a locking sound.

# Charging your device

To charge your device using Bluetooth® Speaker with Magnetic Charging Pad



- 1 Insert the required attachment into the Bluetooth® Speaker with Magnetic Charging Pad.
- 2 Place your device in the Bluetooth® Speaker with Magnetic Charging Pad and slide it until you hear a locking sound.
- 3 Plug the cable of the AC adapter into the Bluetooth® Speaker with Magnetic Charging Pad.
- 4 Plug the AC power cord into the power outlet.

# Using Bluetooth® Speaker with Magnetic Charging Pad

Before you can use the Bluetooth® Speaker with Magnetic Charging Pad to play music or handle incoming calls, you need to first pair it with your device. You can pair the Bluetooth® Speaker with Magnetic Charging Pad using Bluetooth® function, or you can use NFC. Once paired, the Bluetooth® Speaker with Magnetic Charging Pad automatically establishes a connection to your device.

## To pair the Bluetooth® Speaker with Magnetic Charging Pad with your device using NFC



- 1 Make sure that the NFC function is turned on and that the screen is active and unlocked on your device.
- 2 Turn on the Bluetooth® Speaker with Magnetic Charging Pad device.
- 3 Place your device over the NFC detection area of the Bluetooth® Speaker with Magnetic Charging Pad device so that the NFC detection area of each device touches each other.

## To pair the Bluetooth® Speaker with Magnetic Charging Pad with your device using Bluetooth®

- 1 Make sure your device has the Bluetooth® function turned on.
  - 2 Press and hold the Power/Bluetooth pairing button on the Bluetooth® Speaker with Magnetic Charging Pad device until you heard a short sound and the notification light flashes rapidly in blue.
  - 3 Search and connect to the **BSC10** on your device.
- 💡 When the Bluetooth® Speaker with Magnetic Charging Pad is paired with your device successfully, the notification light illuminates in blue.

## To answer an incoming call using Bluetooth® Speaker with Magnetic Charging Pad

- Press . You can now answer the call from the device.

## Disconnecting/Reconnecting your device

There are three ways to disconnect your device from or reconnect it with the Bluetooth® Speaker with Magnetic Charging Pad:

- Deselect or select **BSC10** in the list of paired Bluetooth® devices in your device.
- Place your device over the Bluetooth® Speaker with Magnetic Charging Pad so that the NFC detection area of each device touches the other.
- Press the Power/Bluetooth pairing button.



# Legal information

## SONY BSC10

Prior to use, please read the *Important information* leaflet separately provided.

This User guide is published by Sony Mobile Communications AB or its local affiliated company, without any warranty. Improvements and changes to this User guide necessitated by typographical errors, inaccuracies of current information, or improvements to programs and/or equipment, may be made by Sony Mobile Communications AB at any time and without notice. Such changes will, however, be incorporated into new editions of this User guide.

All rights reserved.

©Sony Mobile Communications AB, 2014

Publication number: 1277-5616.1

Sony is the trademark or registered trademark of Sony Corporation.

All product and company names mentioned herein are the trademarks or registered trademarks of their respective owners. Any rights not expressly granted herein are reserved. All other trademarks are property of their respective owners.

Visit [www.sonymobile.com](http://www.sonymobile.com) for more information.

All illustrations are for illustration only and may not accurately depict the actual accessory.

## Declaration of Conformity for BSC10

We, Sony Mobile Communications AB of

Nya Vattentorget

SE-221 88 Lund, Sweden

declare under our sole responsibility that our product

**Sony type RD-0110**

and in combination with our accessories, to which this declaration relates is in conformity with the appropriate standards **EN 301 489-7:V1.3.1** and **EN 60 950-1:2006 +A11:2009+A1:2010+A12:2011** following the provisions of, EMC directive 2004/108/EC, Low voltage directive 2006/95/EC.

Lund, February 2014



Pär Thuresson,  
*Quality Officer, SVP, Quality & Customer Services*

## FCC Statement

This device complies with Part 15 of the FCC rules. Operation is subject to the following two conditions: (1) This device may not cause harmful interference, and (2) This device must accept any interference received, including interference that may cause undesired operation.

Any change or modification not expressly approved by Sony may void the user's authority to operate the equipment.

This equipment has been tested and found to comply with the limits for a Class B digital device, pursuant to Part 15 of the FCC Rules. These limits are designed to provide reasonable protection against harmful interference in a residential installation. This equipment generates, uses and can radiate radio frequency energy and, if not installed and used in accordance with the instructions, may cause harmful interference to radio communications. However, there is no guarantee that interference will not occur in a particular installation.

If this equipment does cause harmful interference to radio or television reception, which can be determined by turning the equipment off and on, the user is encouraged to try to correct the interference by one or more of the following measures:

- Reorient or relocate the receiving antenna.
- Increase the separation between the equipment and receiver.
- Connect the equipment into an outlet on a circuit different from that to which the receiver is connected.
- Consult the dealer or an experienced radio/TV technician for help.



## Industry Canada Statement

This device complies with RSS-210 of Industry Canada.

Operation is subject to the following two conditions: (1) this device may not cause interference, and (2) this device must accept any interference, including interference that may cause undesired operation of the device.

This Class B digital apparatus complies with Canadian ICES-003.

Cet appareil numérique de la classe B est conforme à la norme NMB-003 du Canada.

## Avis d'industrie Canada

Le présent appareil est conforme aux CNR d'Industrie Canada applicables aux appareils radio exempts de licence.

L'exploitation est autorisée aux deux conditions suivantes: (1) l'appareil ne doit pas produire de brouillage, et, and (2) l'utilisateur de l'appareil doit accepter tout brouillage radioélectrique subi, même si le brouillage est susceptible d'en compromettre le fonctionnement.