

FM/AM Compact Disc Player

Owner's Record

The model and serial numbers are located on the bottom of the unit. Record the serial number in the space provided below. Refer to these numbers whenever you call upon your Sony dealer regarding this product.

Model No. CDX-GT08 Serial No. _____

To cancel the demonstration (DEMO) display, see "Adjusting setup items — SET." Para cancelar la pantalla de demostración (DEMO), consulte "Definición de los elementos de configuración — SET".

Operating Instructions Manual de instrucciones CDX-GT08



©2008 Sony Corporation Printed in China

For installation and connections, see the supplied installation/connections manual.

Warning

This equipment has been tested and found to comply with the limits for a Class B digital device, pursuant to Part 15 of the FCC Rules. These limits are designed to provide reasonable protection against harmful interference in a residential installation. This equipment generates, uses, and can radiate radio frequency energy and, if not installed and used in accordance with the instructions, may cause harmful interference to radio communications. However, there is no guarantee that interference will not occur in a particular installation. If this equipment does cause harmful interference to radio or television reception, which can be determined by turning the equipment off and on, the user is encouraged to try to correct the interference by one or more of the following measures:

- Reorient or relocate the receiving antenna.
- Increase the separation between the equipment and receiver.
- Connect the equipment into an outlet on a circuit different from that to which the receiver is connected.
- Consult the dealer or an experienced radio/TV technician for help.

You are cautioned that any changes or modifications not expressly approved in this manual could void your authority to operate this equipment.

CAUTION
The use of optical instruments with this product will increase eye hazard.

For the state of California, USA only
Perchlorate Material — special handling may apply. See www.dtsc.ca.gov/hazardouswaste/perchlorate
Perchlorate Material: Lithium battery contains perchlorate

Microsoft, Windows Media, and the Windows logo are trademarks or registered trademarks of Microsoft Corporation in the United States and/or other countries.

Warning if your car's ignition has no ACC position
Be sure to set the Auto Off function. The unit will shut off completely and automatically in the set time after the unit is turned off, which prevents battery drain. If you do not set the Auto Off function, press and hold **OFF** until the display disappears each time you turn the ignition off.

Welcome !

Thank you for purchasing this Sony Compact Disc Player. You can enjoy your drive with the following functions.

- **CD playback**
You can play CD-DA (also containing CD TEXT) and CD-R/CD-RW (MP3/WMA files).

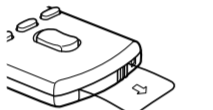
Type of discs	Label on the disc
CD-DA	
MP3 WMA	

- **Radio reception**
- You can store up to 6 stations per band (FM1, FM2, FM3, AM1 and AM2).
- **BTM** (Best Tuning Memory): The unit selects strong signal stations and stores them.
- **Sound adjustment EQ stage2:** You can choose any one of 7 preset equalizer curves.
- **Auxiliary equipment connection**
An AUX input jack on the front of the unit allows connection of a portable audio device.

Getting Started

Preparing the card remote commander

Before using the card remote commander for the first time, remove the insulation film.



Tip
For how to replace the battery, see "Replacing the lithium battery of the card remote commander."

Setting the clock

The clock uses a 12-hour digital indication.

- 1 **Press and hold the select button.** The setup display appears.
- 2 **Press the select button repeatedly until "CLOCK-ADJ" appears.**
- 3 **Press **SEEK** +.** The hour indication flashes.
- 4 **Rotate the volume control dial to set the hour and minute.** To move the digital indication, press **SEEK** +/-.
- 5 **Press the select button.** The setup is complete and the clock starts.

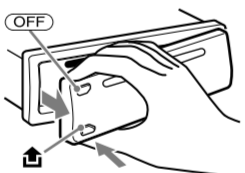
To display the clock, press **DSPL**. Press **DSPL** again to return to the previous display.

Detaching the front panel

You can detach the front panel of this unit to prevent theft.

Caution alarm
If you turn the ignition switch to the OFF position without detaching the front panel, the caution alarm will sound for a few seconds. The alarm will only sound if the built-in amplifier is used.

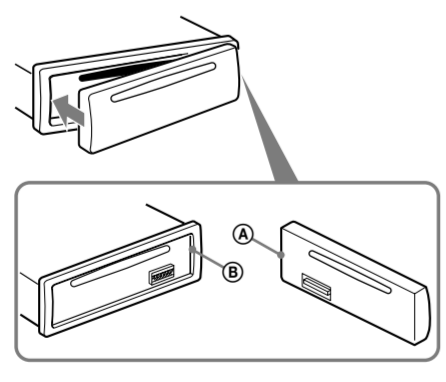
- 1 **Press **OFF**.** The unit is turned off.
- 2 **Press **ⓐ**, then pull it off towards you.**



Notes
• Do not drop or put excessive pressure on the front panel and display window.
• Do not subject the front panel to heat/high temperature or moisture. Avoid leaving it in a parked car or on a dashboard/rear tray.

Attaching the front panel

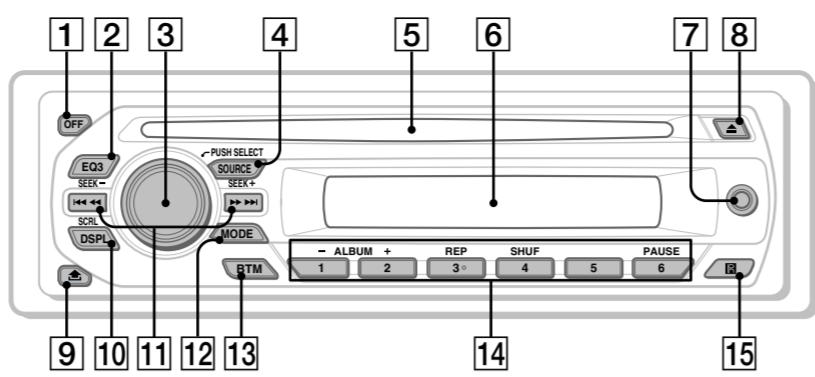
Engage part **ⓐ** of the front panel with part **ⓑ** of the unit, as illustrated, and push the left side into position until it clicks.



Note
Do not put anything on the inner surface of the front panel.

Location of controls and basic operations

Main unit

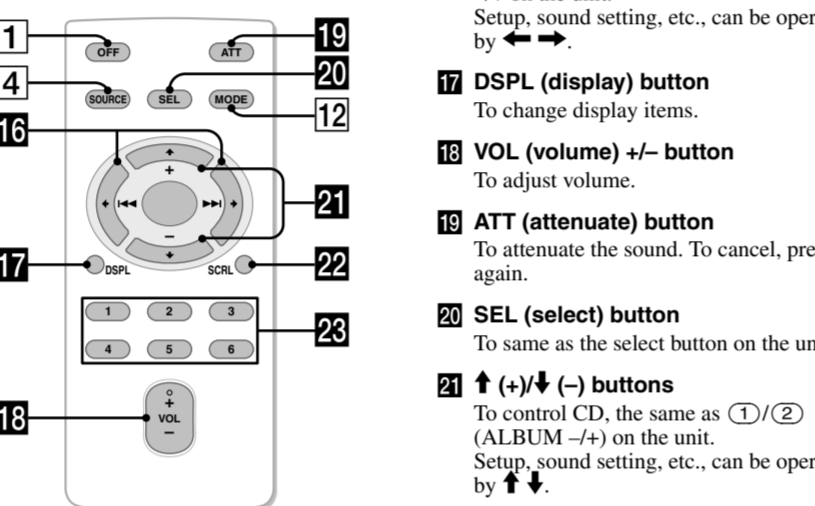


This section contains instructions on the location of controls and basic operations.

- 1 **OFF button**
To power off, stop the source.
- 2 **EQ3 (equalizer) button**
To select an equalizer type (XPLD, VOCAL, EDGE, CRUISE, SPACE, GRAVITY, CUSTOM or OFF).
- 3 **Volume control dial/select button**
To adjust volume (rotate); select setup items (press and rotate).
- 4 **SOURCE button**
To power on; change the source (Radio/CD/AUX).
- 5 **Disc slot**
To insert the disc (label side up), playback starts.
- 6 **Display window**
- 7 **AUX input jack**
To connect a portable audio device.
- 8 **ⓐ (eject) button**
To eject the disc.
- 9 **ⓑ (front panel release) button**
- 10 **DSPL (display)/SCRL (scroll) button**
To change display items (press); scroll the display item (press and hold).

- 11 **SEEK +/- buttons**
CD:
To skip tracks (press); skip tracks continuously (press, then press again within about 1 second and hold); reverse/fast-forward a track (press and hold).
Radio:
To tune in stations automatically (press); find a station manually (press and hold).
- 12 **MODE button**
To select the radio band (FM/AM).
- 13 **BTM button**
To start the BTM function (press and hold).
- 14 **Number buttons**
① (2): **ALBUM +/-** (during MP3/WMA playback)
To skip albums (press); skip albums continuously (press and hold).
③ **REP**
④ **SHUF**
⑤ **PAUSE**
To pause playback. To cancel, press again.
Radio:
To receive stored stations (press); store stations (press and hold).
- 15 **Receptor for the card remote commander**

Card remote commander RM-X151



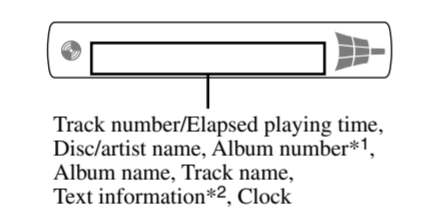
The following buttons on the card remote commander have also different buttons/functions from the unit. Remove the insulation film before use.

- 16 **⏮ (←) ⏪ (→) ⏭ (→) ⏩ (→) buttons**
To control CD/radio, the same as **SEEK** +/- on the unit. Setup, sound setting, etc., can be operated by **↔**.
- 17 **DSPL (display) button**
To change display items.
- 18 **VOL (volume) +/- button**
To adjust volume.
- 19 **ATT (attenuate) button**
To attenuate the sound. To cancel, press again.
- 20 **SEL (select) button**
To same as the select button on the unit.
- 21 **⏮ (+) ⏭ (-) buttons**
To control CD, the same as ① (2) (ALBUM +/-) on the unit. Setup, sound setting, etc., can be operated by **↔**.
- 22 **SCRL (scroll) button**
To scroll the display item.
- 23 **Number buttons**
To receive stored stations (press); store stations (press and hold).

Note
If the unit is turned off and the display disappears, it cannot be operated with the card remote commander unless **SOURCE** on the unit is pressed, or a disc is inserted to activate the unit first.

CD

Display items



Track number/Elapsed playing time, Disc/artist name, Album number*, Album name, Track name, Text information*, Clock

*1 Album number is displayed only when the album is changed.
*2 When playing an MP3, ID3 tag is displayed, and when playing a WMA, WMA tag is displayed.

To change display items, press **DSPL**.

Repeat and shuffle play

- 1 **During playback, press **REPEAT** (REP) or **SHUFFLE** (SHUF) repeatedly until the desired setting appears.**

Select	To play
TRACK	track repeatedly.
ALBUM *	album repeatedly.
SHUF ALBUM *	album in random order.
SHUF DISC	disc in random order.

* When an MP3/WMA is played.
Tip
Displayed items will differ, depending on the disc type, recorded format and settings. For details on MP3/WMA, see "About MP3 files" and "About WMA files."

Radio

Storing and receiving stations

Caution
When tuning in stations while driving, use Best Tuning Memory (BTM) to prevent an accident.

Storing automatically — BTM

- 1 **Press **SOURCE** repeatedly until "TUNER" appears.** To change the band, press **MODE** repeatedly. You can select from FM1, FM2, FM3, AM1 or AM2.
- 2 **Press and hold **BTM** until "BTM" flashes.** The unit stores stations in order of frequency on the number buttons. A beep sounds when the setting is stored.

Storing manually

- 1 **While receiving the station that you want to store, press and hold a number button (1 to 6) until "MEMORY" appears.**

Note
If you try to store another station on the same number button, the previous stored station will be replaced.

Note
Displayed items will differ, depending on the source and setting.

The following items can be set: "ⓐ" indicates the default settings.

- CLOCK-ADJ** (Clock Adjust)
- BEEP**
To set "BEEP-ON" (ⓐ) or "BEEP-OFF"
- AUX-A#1** (AUX Audio)
To turn the AUX source display "AUX-A-ON" (ⓐ) or "AUX-A-OFF"
- A.OFF** (Auto Off)
To shut off automatically after a desired time when the unit is turned off: "A.OFF-NO" (ⓐ), "A.OFF-30S (Seconds)", "A.OFF-30M (Minutes)" or "A.OFF-60M (Minutes)."
- SUB/REAR#1**
To switch the audio output.
- "SUB-OUT" (ⓐ): to output to a subwoofer.
- "REAR-OUT": to output to a power amplifier.
- DEMO** (Demonstration)
To set "DEMO-ON" (ⓐ) or "DEMO-OFF"
- DIM** (Dimmer)
To change the brightness of the display.
- "DIM-ON": to dim the display.
- "DIM-OFF" (ⓐ): to deactivate the dimmer.
- MDSPL** (Motion Display)
- "MDSPL-ON" (ⓐ): to show moving patterns.
- "MDSPL-OFF": to deactivate the Motion Display.
- A.SCR1** (Auto Scroll)
To scroll long displayed item automatically when the album/track is changed.
- "A.SCR1-ON" (ⓐ): to scroll.
- "A.SCR1-OFF": to not scroll.
- LOCAL** (Local Seek Mode)
- "LOCAL-ON": to only tune into stations with stronger signals.
- "LOCAL-OFF" (ⓐ): to tune normal reception.
- MONO#2** (Monaural Mode)
To improve poor FM reception, select monaural reception mode.
- "MONO-ON": to hear stereo broadcast in monaural.
- "MONO-OFF" (ⓐ): to hear stereo broadcast in stereo.
- LPF#3** (Low Pass Filter)
To select the subwoofer cut-off frequency: "LPF-OFF" (ⓐ), "LPF125Hz" or "LPF78Hz."
- LOUD** (Loudness)
To allow you to listen clearly at low volume levels.
- "LOUD-ON": to reinforce bass and treble.
- "LOUD-OFF" (ⓐ): to not reinforce bass and treble.
- BTM**

- +1 When the unit is turned off.
- +2 When FM is received.
- +3 When the audio output is set to "SUB."

- 16 **⏮ (←) ⏪ (→) ⏭ (→) ⏩ (→) buttons**
To control CD/radio, the same as **SEEK** +/- on the unit. Setup, sound setting, etc., can be operated by **↔**.
- 17 **DSPL (display) button**
To change display items.
- 18 **VOL (volume) +/- button**
To adjust volume.
- 19 **ATT (attenuate) button**
To attenuate the sound. To cancel, press again.
- 20 **SEL (select) button**
To same as the select button on the unit.
- 21 **⏮ (+) ⏭ (-) buttons**
To control CD, the same as ① (2) (ALBUM +/-) on the unit. Setup, sound setting, etc., can be operated by **↔**.
- 22 **SCRL (scroll) button**
To scroll the display item.
- 23 **Number buttons**
To receive stored stations (press); store stations (press and hold).

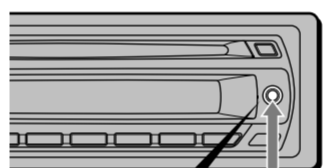
- +1 When the unit is turned off.
- +2 When FM is received.
- +3 When the audio output is set to "SUB."

Using optional equipment

Auxiliary audio equipment

By connecting an optional portable audio device to the AUX input jack (stereo mini jack) on the unit and then simply selecting the source, you can listen on your car speakers. The volume level is adjustable for any difference between the unit and the portable audio device. Follow the procedure below:

- 1 Turn off the portable audio device.
- 2 Turn down the volume on the unit.
- 3 Connect to the unit.



Note
Playback of the following WMA files is not supported.
- lossless compression
- copyright-protected

If you have any questions or problems concerning your unit that are not covered in this manual, consult your nearest Sony dealer.

Adjusting the volume level

Be sure to adjust the volume for each connected audio device before playback.

- 1 Turn down the volume on the unit.
- 2 Press **SOURCE** repeatedly until "FRONT IN" appears.
- 3 Start playback of the portable audio device at a moderate volume.
- 4 Set your usual listening volume on the unit.
- 5 Press the select button repeatedly until "AUX" appears, and rotate the volume control dial to adjust the input level (-8 dB to +18 dB).

Additional Information

Precautions

- If your car has been parked in direct sunlight, allow the unit to cool off before operating it.
- Wipe the battery with a dry cloth to assure a good contact.
- Be sure to observe the correct polarity when installing the battery.
- Do not hold the battery with metallic tweezers, otherwise a short-circuit may occur.

Moisture condensation

On a rainy day or in a very damp area, moisture condensation may occur inside the lenses and display of the unit. Should this occur, the unit will not operate properly. In such a case, remove the disc and wait for about an hour until the moisture has evaporated.

To maintain high sound quality

Be careful not to splash juice or other soft drinks onto the unit or discs.

Notes on discs

- To keep a disc clean, do not touch its surface. Handle the disc by its edge.
- Keep your discs in their cases or disc magazines when not in use.
- Do not subject discs to heat/high temperature. Avoid leaving them in a parked car or on a dashboard/rear tray.
- Do not attach labels, or use discs with sticky ink/residue. Such discs may stop spinning when used, causing a malfunction, or may ruin the disc.
- Do not use any discs with labels or stickers attached.
- The following malfunctions may result from using such discs:
 - Inability to eject a disc (due to a label or sticker peeling off and jamming the eject mechanism).
 - Inability to read audio data correctly (e.g., playback skipping, or no playback) due to heat shrinking of a sticker or label causing a disc to warp.
- Discs with non-standard shapes (e.g., heart, square, star) cannot be played on this unit.
- Attempting to do so may damage the unit. Do not use such discs.
- You cannot play 8 cm (3 1/4 in) CDs.
- Before playing, clean the disc with a commercially available cleaning cloth. Wipe each disc from the center out. Do not use solvents such as benzene, thinner, commercially available cleaners, or antistatic spray intended for analog discs.

- 1 **Press and hold the select button.** The setup display appears.
- 2 **Press the select button repeatedly until the desired item appears.**
- 3 **Rotate the volume control dial to select the setting (example "ON" or "OFF").**
- 4 **Press and hold the select button.** The setup is complete and the display returns to normal play/reception mode.

Adjusting setup items — SET

- 1 **Press and hold the select button.** The setup display appears.
- 2 **Press the select button repeatedly until the desired item appears.**
- 3 **Rotate the volume control dial to select the setting (example "ON" or "OFF").**
- 4 **Press and hold the select button.** The setup is complete and the display returns to normal play/reception mode.

Notes on CD-R/CD-RW discs

- Some CD-Rs/CD-RWs (depending on the equipment used for its recording or the condition of the disc) may not play on this unit.
- You cannot play a CD-R/CD-RW that is not finalized.
- The unit is compatible with the ISO 9660 level 1/level 2 format, Joliet/Romeo in the expansion format, and Multi Session.
- The maximum number of:
 - folders (albums): 150 (including root and empty folders).
 - files (tracks) and folders contained in a disc: 300 (if a folder/file name contains many characters, this number may become less than 300).
 - displayable characters for a folder/file name is 32 (Joliet), or 64 (Romeo).
- When the disc is recorded in Multi Session, only the first track of the first session format is recognized and played (any other format is skipped). The priority of the format is CD-DA and MP3/WMA.
- When the first track is a CD-DA, only CD-DA of the first session is played.
- When the first track is not a CD-DA, the MP3/WMA session is played. If the disc has no data in any of these formats, "NO MUSIC" is displayed.

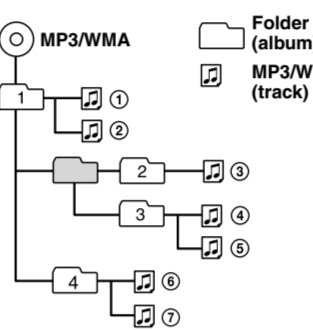
MUSIC discs encoded with copyright protection technologies

This product is designed to play back discs that conform to the Compact Disc (CD) standard. Recently, various music discs encoded with copyright protection technologies are marketed by some record companies. Please be aware that among those discs, there are some that do not conform to the CD standard and may not be playable by this product.

Note on DualDiscs

A DualDisc is a two sided disc product which mates DVD recorded material on one side with digital audio material on the other side. However, since the audio material side does not conform to the Compact Disc (CD) standard, playback on this product is not guaranteed.

Playback order of MP3/WMA files



About MP3 files

- MP3, which stands for MPEG-1 Audio Layer-3, is a music file compression format standard. It compresses audio CD data to approximately 1/10 of its original size.
- ID3 tag versions 1.0, 1.1, 2.2, 2.3 and 2.4 apply to MP3 only. ID3 tag is 15/30 characters (1.0 and 1.1), or 63/126 characters (2.2, 2.3 and 2.4).
- When naming an MP3 file, be sure to add the file extension ".mp3" to the file name.
- During playback or fast-forward/rewind of a VBR (variable bit rate) MP3 file, elapsed playing time may not display accurately.

Note
If you play a high-bit-rate MP3, such as 320 kbps, sound may be intermittent.

About WMA files

- WMA, which stands for Windows Media Audio, is a music file compression format standard. It compresses audio CD data to approximately 1/22* of its original size.
- WMA tag is 63 characters.
- When naming a WMA file, be sure to add the file extension ".wma" to the file name.
- During playback or fast-forward/rewind of a VBR (variable bit rate) WMA file, elapsed playing time may not display accurately.
- * only for 64 kbps

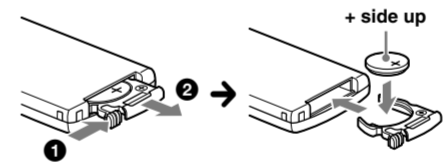
Note
Playback of the following WMA files is not supported.
- lossless compression
- copyright-protected

If you have any questions or problems concerning your unit that are not covered in this manual, consult your nearest Sony dealer.

Maintenance

Replacing the lithium battery of the card remote commander

Under normal conditions, the battery will last approximately 1 year. (The service life may be shorter, depending on the conditions of use.) When the battery becomes weak, the range of the card remote commander becomes shorter. Replace the battery with a new CR2025 lithium battery. Use of any other battery may present a risk of fire or explosion.



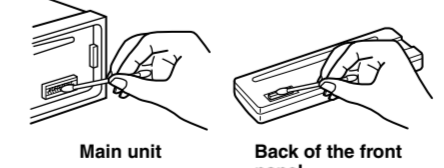
Notes on the lithium battery
• Keep the lithium battery out of the reach of children. Should the battery be swallowed, immediately consult a doctor.
• Wipe the battery with a dry cloth to assure a good contact.
• Be sure to observe the correct polarity when installing the battery.
• Do not hold the battery with metallic tweezers, otherwise a short-circuit may occur.

WARNING
Battery may explode if mistreated. Do not recharge, disassemble, or dispose of in fire.

Fuse replacement

When replacing the fuse, be sure to use one matching the amperage rating stated on the original fuse. If the fuse blows, check the power connection and replace the fuse. If the fuse blows again after replacement, there may be an internal malfunction. In such a case, consult your nearest Sony dealer.

Cleaning the connectors
The unit may not function properly if the connectors between the unit and the front panel are not clean. In order to prevent this, detach the front panel and clean the connectors with a cotton swab. Do not apply too much force. Otherwise, the connectors may be damaged.

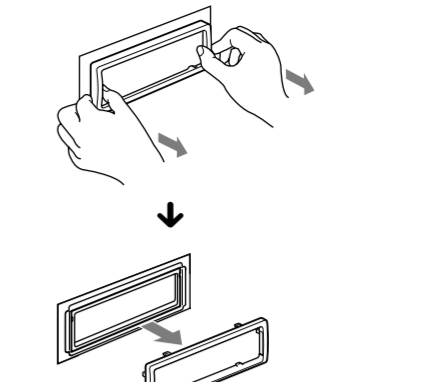


Notes
• For safety, turn off the ignition before cleaning the connectors, and remove the key from the ignition switch.
• Never touch the connectors directly with your fingers or with any metal device.

Removing the unit

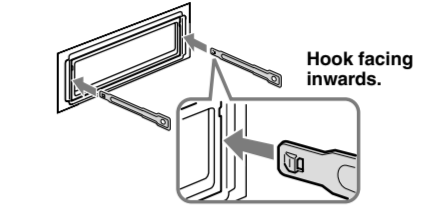
1 Remove the protection collar.

- 1 **Detach the front panel.**
- 2 **Pinch both edges of the protection collar, then pull it out.**

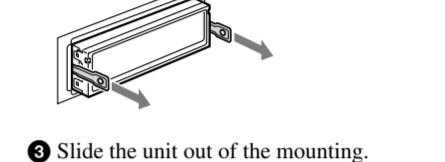


2 Remove the unit.

- 1 **Insert both release keys simultaneously until they click.**



- 2 **Pull the release keys to unseat the unit.**



- 3 **Slide the unit out of the mounting.**

Specifications

AUDIO POWER SPECIFICATIONS

CEA2006 Standard
Power Output: 16 Watts RMS x 4 at 4 Ohms < 1% THD+N
SN Ratio: 82 dB A
(reference: 1 Watt into 4 Ohms)

CD Player section
Signal-to-noise ratio: 120 dB
Frequency response: 10 - 20,000 Hz
Wow and flutter: Below measurable limit

Tuner section
FM
Tuning range: 87.5 - 107.9 MHz
Antenna terminal: External antenna (aerial) connector
Intermediate frequency: 10.7 MHz/450 kHz
Usable sensitivity: 9 dB
Selectivity: 75 dB at 400 kHz
Signal-to-noise ratio: 67 dB (stereo), 69 dB (mono)
Harmonic distortion at 1 kHz: 0.5 % (stereo), 0.3 % (mono)
Separation: 35 dB at 1 kHz
Frequency response: 30 - 15,000 Hz

