

SONY

2-655-837-23(1)



Disposal of Old Electrical & Electronic Equipment (Applicable in the European Union and other European countries with separate collection systems)

This symbol on the product or on its packaging indicates that this product shall not be treated as household waste. Instead it shall be handed over to the applicable collection point for the recycling of electrical and electronic equipment.

Applicable accessories: Remote control

Notes on DualDiscs

A DualDisc is a two sided disc product which mates DVD recorded material on one side with digital audio material on the other side.

Music discs encoded with copyright protection technologies

This product is designed to playback discs that conform to the Compact Disc (CD) standard. Recently, various music discs encoded with copyright protection technologies are marketed by some record companies.

MPEG Layer-3 audio coding technology and patents licensed from Fraunhofer IIS and Thomson.

CD Radio Cassette-Corder

Operating Instructions

GB

CFD-S03CP CFD-S03CPL

© 2005 Sony Corporation http://www.sony.net/

WARNING

To reduce the risk of fire or electric shock, do not expose this apparatus to rain or moisture.

To avoid electrical shock, do not open the cabinet. Refer servicing to qualified personnel only.

To reduce the risk of fire, do not cover the ventilation of the apparatus with newspapers, tablecloths, curtains, etc.

To reduce the risk of fire or electric shock, do not place objects filled with liquids, such as vases, on the apparatus.

Connect the apparatus to an easily accessible AC outlet. Should you notice an abnormality in the apparatus, disconnect the main plug from the AC outlet immediately.

Do not install the appliance in a confined space, such as a bookcase or built-in cabinet.

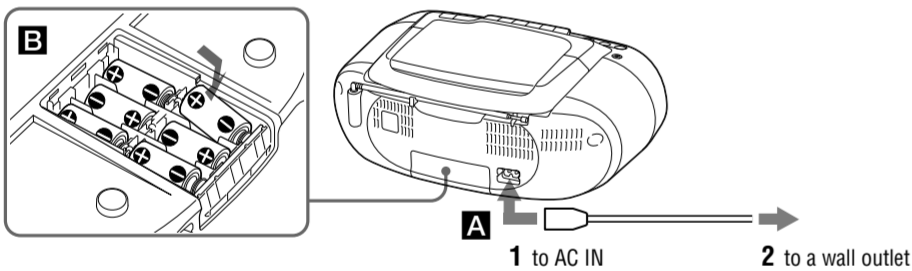
Notice for customers in the United Kingdom

A moulded plug complying with BS 1363 is fitted to this equipment for your safety and convenience.

Should the fuse in the plug supplied need to be replaced, same rating fuse approved by ASTA or BSI to BS 1362, (i.e. marked with diamond or inverted triangle mark) must be used.

If the plug supplied with this equipment has a detachable fuse cover, be sure to attach the fuse cover after you change the fuse. Never use the plug without the fuse cover. If you should lose the fuse cover, please contact your nearest Sony service station.

Power sources



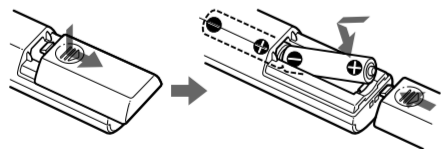
Connect the AC power cord A or insert six R14 (size C) batteries (not supplied) into the battery compartment B.

Notes

- Replace the batteries when the OPR/BATT indicator dims or when the player stops operating. Replace all the batteries with new ones. Before you replace the batteries, be sure to take out the CD from the player. To use the player on batteries, disconnect the AC power cord from the player. When you operate the player on batteries, you cannot turn on the player using the remote.

Preparing the remote

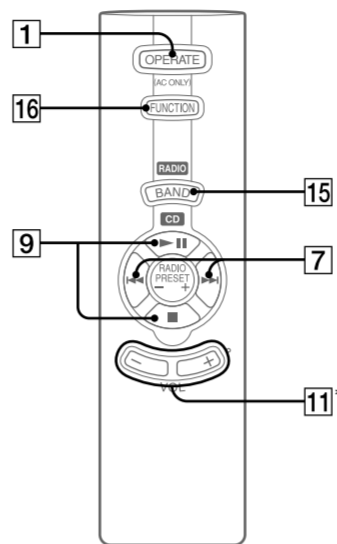
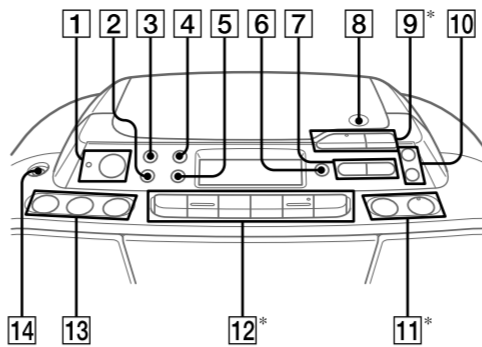
Insert two R03 (size AAA) batteries (not supplied).



Replacing batteries

With normal use, the batteries should last for about six months. When the remote no longer operates the player, replace all the batteries with new ones.

Basic Operations



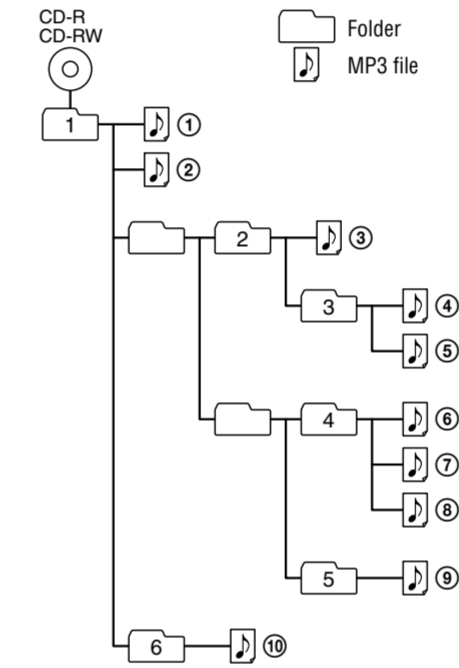
\*VOLUME + (VOL + on the remote) 11, 11 9 and 12 on the unit have a tactile dot.

Table with 2 columns: To, Press. Includes instructions for pause, stop, next, previous, folder selection, play, locate point, and CD removal.

- Tips: Playback starts from the track/MP3 file you last stopped playing. To cancel the resume play (to start play from the beginning of the first track/MP3 file), press 9 in stop mode.

Example of folder structure and playing order

The playing order of the folders and files is as follows:



Notes on MP3 discs

- When the disc is inserted, the player reads all the files on that disc. During this time, "READING" is displayed. If there are many folders or non-MP3 files on the disc, it may take a long time for play to begin or for the next MP3 file to start play. We recommend that you do not save unnecessary folders or files other than MP3 ones in the disc to be used for MP3 listening.

Before using the unit

To turn on/off the power European model: Press OPERATE 1. Other models: Press POWER 1.

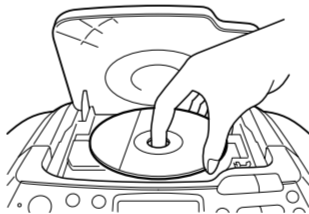
To adjust the volume Press VOLUME +, - (VOL +, - on the remote) 11.

To listen through headphones Connect the headphones to the headphones jack 14.

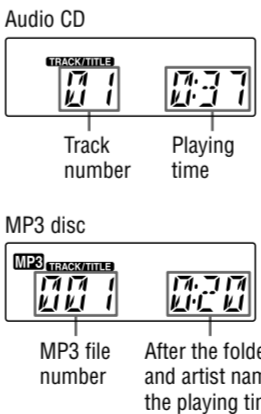
To reinforce the bass sound Press MEGA BASS 2. "MEGA BASS" appears in the display. To return to normal sound, press the button again.

Playing a CD/MP3 disc

- Press CD 13 on the unit (direct power-on). (On the remote, press OPERATE or POWER 1 and then press FUNCTION 16 repeatedly until "CD" appears in the display.) Press PUSH OPEN/CLOSE 8 on the unit, and place a disc with the label side up on the CD compartment. To close the CD compartment, press PUSH OPEN/CLOSE 8 on the unit.



- Press 9. The player plays all the tracks/MP3 files once. When you play a MP3 disc, MP3 indicator lights up after the player reads the file information.



\* If there is no folder, "ROOT" appears in the display. \*\* If the playing time is more than 100 minutes, it appears "----" in the display.

Changing the AM/MW tuning interval If you need to change the AM/MW tuning interval, do the following:

- 1 Press RADIO\*BAND\*AUTO PRESET 13 on the unit until "AM" or "MW" is displayed. 2 Press DISPLAY\*ENTER 5 on the unit for 2 seconds. 3 Press RADIO\*BAND\*AUTO PRESET 13 on the unit for 2 seconds. "9K STEP" or "10K STEP" flashes. 4 Press PRESET + or - 7 on the unit to select "9K STEP" for 9 kHz interval or "10K STEP" for 10 kHz interval. 5 Press DISPLAY\*ENTER 5 on the unit. After changing the tuning interval, you need to reset your preset AM/MW radio stations.

Playing a tape

Use buttons on the unit for the operation.

- 1 Press TAPE 13 on the unit (direct power-on). 2 Press 12 on the unit, and insert the tape into the tape compartment with the side you want to play facing you. Use TYPE I (normal) tape only. Close the compartment. Make sure there is no slack in the tape to avoid damaging the tape or the unit.



- 3 Press 12. The player starts playing.

Table with 2 columns: To, Press. Includes instructions for pause, stop, fast-forward, and eject.

\*When the tape is wound to the end, press 12 to release 12 or 12.

Recording on a tape

Use buttons on the unit for the operation.

- 1 Press 12 on the unit to open the tape compartment and insert a blank tape with the side you want to record on facing you. Use TYPE I (normal) tape only. Close the compartment. 2 Select the program source you want to record. To record from the CD player, insert a CD and press CD 13. 3 Press 12 on the unit to start recording (12 is depressed automatically).

Table with 2 columns: To, Press. Includes instructions for pause recording and stop recording.

Tips

- Adjusting the volume or the audio emphasis will not affect the recording level. If the AM/MW/LW program makes a whistling sound after you've press 12 in step 3, press MODE 4 on the unit to select the position of ISS (Interference Suppress Switch) that most decreases the noise. For the best results, use the AC power as a power source for recording. To erase a recording, proceed as follows: 1 Insert the tape whose recording you want to erase. 2 Press TAPE 13 on the unit. 3 Press 12 on the unit.

Listening to the radio

- 1 Press RADIO\*BAND\*AUTO PRESET 13 on the unit (BAND 15 on the remote) repeatedly (direct power-on). Each time you press the button, the indication changes as follows: CFD-S03CPL: "FM" -> "MW" -> "LW" CFD-S03CP: "FM" -> "AM" 2 Hold down TUNE + or - 10 until the frequency digits begin to change in the display. The player automatically scans the radio frequencies and stops when it finds a clear station. If you can not tune in a station, press TUNE + or - 10 repeatedly to change the frequency step by step. When an FM stereo broadcast is received, "ST" appears.

Tip If the FM broadcast is noisy, press MODE 4 until "MONO" appears in the display and the radio will play in monaural.

