

FM/AM Clock Radio

ICF-C218

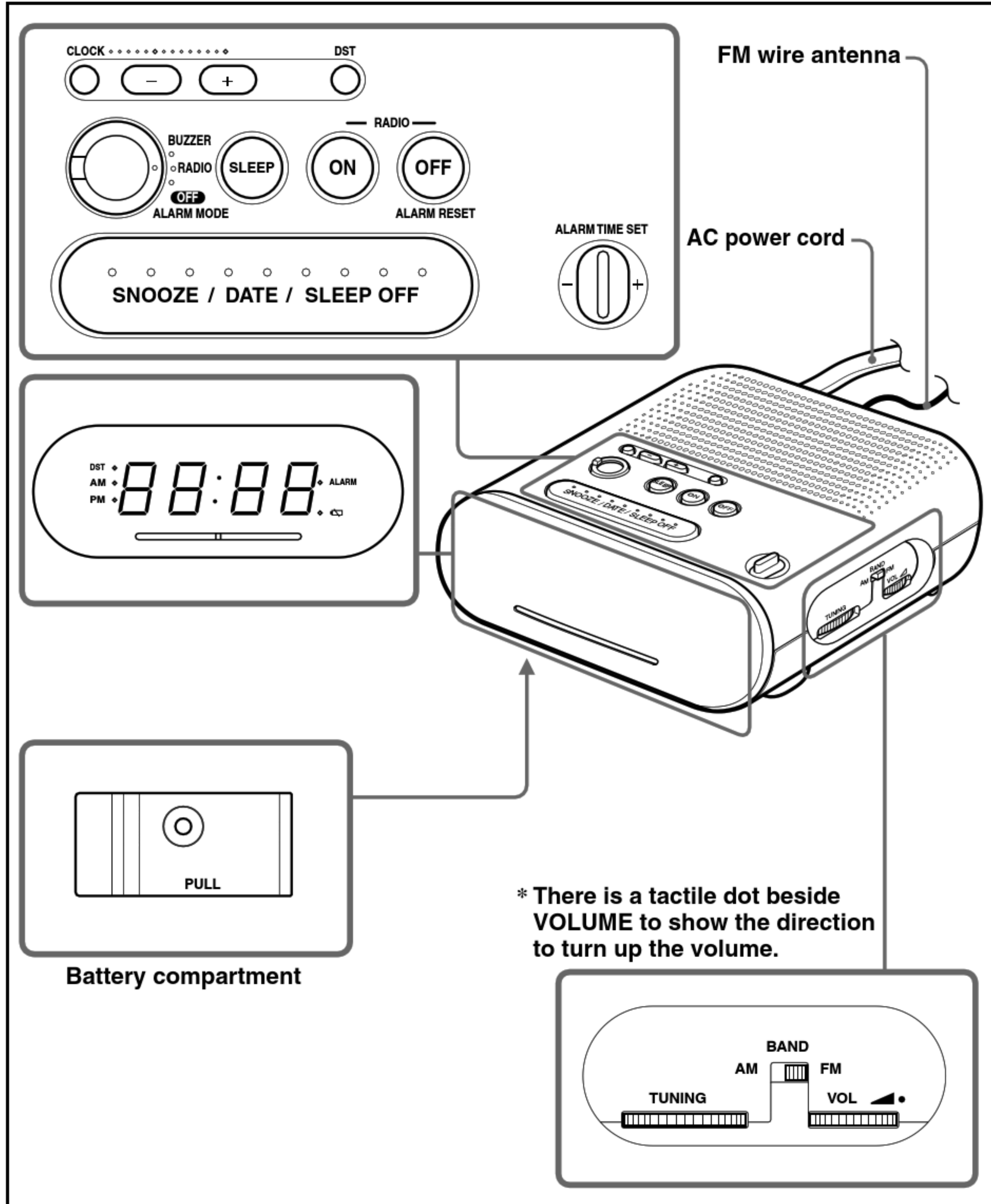
Operating Instructions

DREAM MACHINE

Dream Machine is a trademark of Sony Corporation.

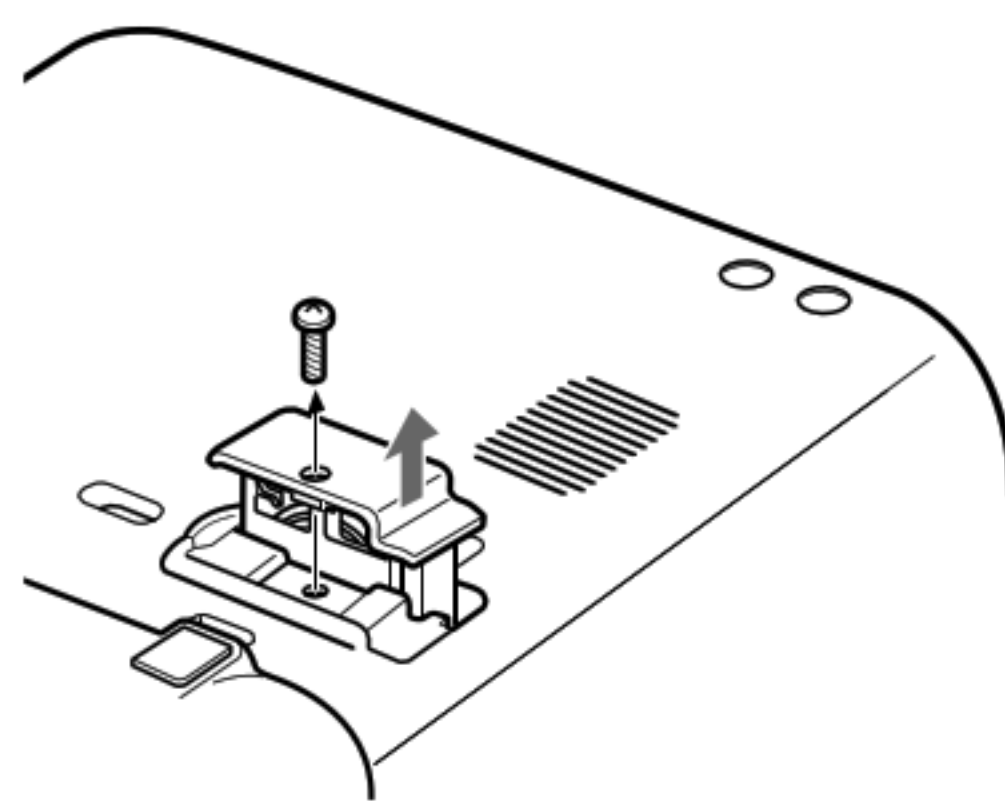
© 2006 Sony Corporation Printed in China

<http://www.sony.net/>

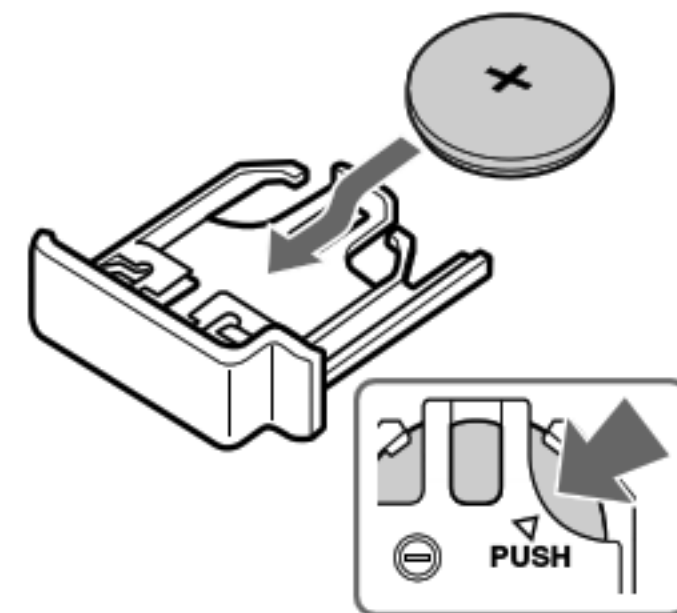


A

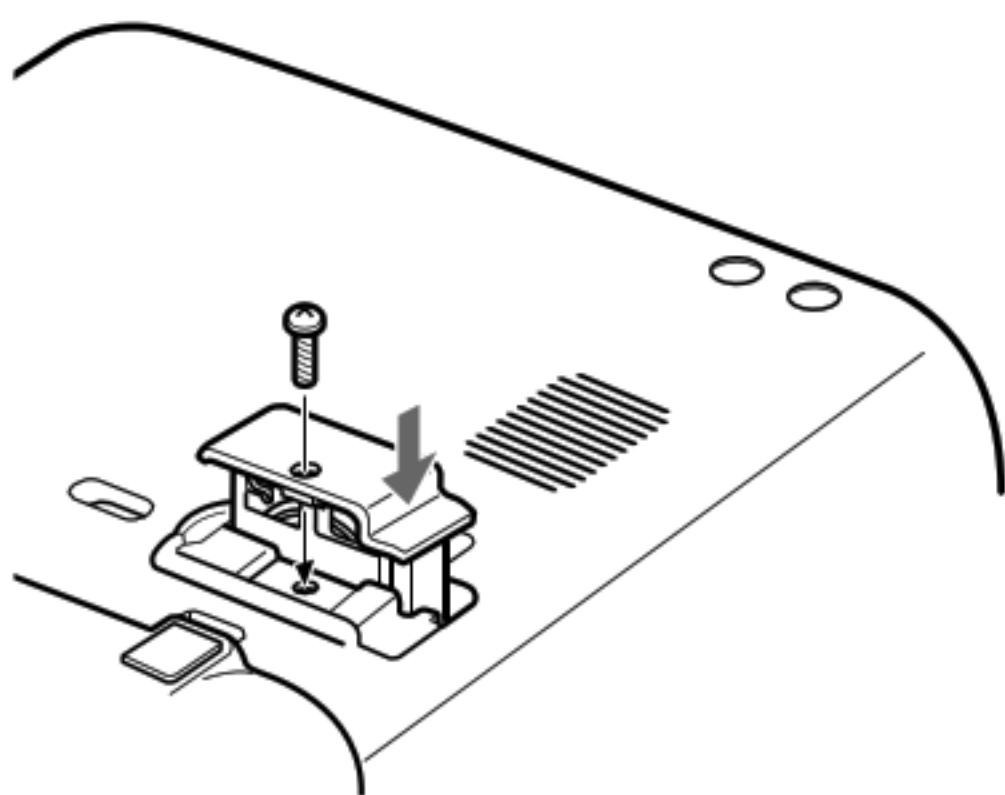
①



②

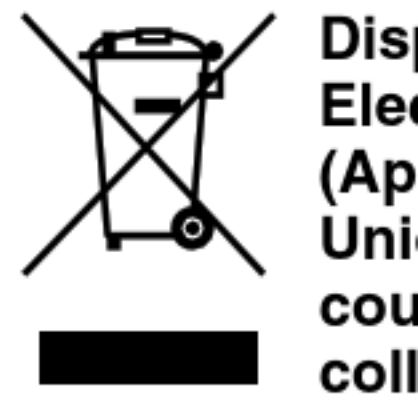


③



Precau

- Operate the unit in accordance with the "Specifications".
- The nameplate information is located on the bottom of the unit.
- To disconnect the power cord, pull it out by the plug, not the cord.
- The unit is not designed to be used as a power source (mains) as it is not connected to a power outlet, even if the power cord is plugged in.
- Allow adequate ventilation to prevent heat build-up. Do not place the unit on a rug, blanket, etc., as this might block the ventilation holes.
- Should any solid objects fall on the unit, unplug the unit and contact qualified personnel before attempting to use it.
- To clean the casing, use a soft cloth with a mild detergent solution.
- Do not connect the power cord to an antenna.
- To reduce the risk of fire, do not block the ventilation of the unit. Do not use tablecloths, curtains, or other flammable materials or candles on the appliance.



This symbol on the product indicates that this product is not to be disposed of as household waste. In accordance with applicable collection, electrical and electronic products should be disposed of separately to avoid potential negative effects on the environment and human health, and to facilitate the recycling of materials and resources. For more information on the recycling of this product, contact your local Civic Office, your local authority or the shop where you purchased the product.

If you have any questions concerning your product, contact your nearest Sony dealer.

Specifi

Time display
12-hour System

Frequency range

Band	Frequency
FM	87.5 - 108.0 MHz
AM	530 - 1700 kHz

Speaker
Approx. 6.6 cm

Power output
150 mW (at 1000 Hz)

Power requirements
230 V AC, 50/60 Hz
For power backup: CR2032

Dimensions
Approx. 155 × 100 × 45 mm
(6 1/8 × 2 7/8 × 1 3/8 inches)

Mass
Approx. 513.2 g
battery: model CR2032

Approx. 498.2 g
battery: model CR2032

Design and specifications are subject to change without notice.

Trouble

Should any problem occur, please refer to the following simple check list. If the problem persists, servicing is required. If the problem persists, contact your nearest Sony dealer.

The clock flashes and the alarm does not sound.

- The battery is low. Replace the old battery and insert the new one.

The radio or buzzer does not work.

- Has the desired radio station been activated? (i.e., DST button?)

The radio alarm comes on at the wrong time.

- Has VOLUME been turned up?

WARNING

To reduce the risk of fire or electric shock, do not expose this apparatus to rain or moisture.

To avoid electrical shock, do not open the cabinet. Refer servicing to qualified personnel only.

Do not install the appliance in a confined space, such as a bookcase or built-in cabinet.

To reduce the risk of fire or electric shock, do not place objects filled with liquids, such as vases, on the apparatus.

Connect the apparatus to an easily accessible AC outlet. Should you notice an abnormality in the apparatus, disconnect the main plug from the AC outlet immediately.

WARNING

Battery may explode if mistreated. Do not recharge, disassemble or dispose of in fire.

Features

- Single alarm FM/AM Clock radio.
- Various types of alarms — radio and buzzer.
- Automatic time set — When you plug the clock in for the first time, the current time will be shown in the display (UK model only).
- Automatic Daylight Saving Time/Summer time adjustment (UK model only).
- DST button to adjust Daylight Saving Time/Summer time (for Australian model).
- Date button to display month, day and year.
- Battery backup to keep the clock during a power interruption with a CR2032 battery installed (for UK model)/supplied (for Australian model).
- Extendable snooze — snooze time can be extended from 10 to 60 minutes in maximum every time you use.

