

# Personal Audio System

Reference Guide  
Guía de referencia (reverso)



AUTO TIME SET



©2013 Sony Corporation Printed in China  
http://www.sony.net/

ICF-C11IP

English

Before operating the system, please read this guide thoroughly and retain it for future reference.

### Owner's Record

The model number and the serial number are located on the bottom. Record the serial number in the space provided below. Refer to them whenever you call upon your Sony dealer regarding this product.

Model No. ICF-C11IP

Serial No.

**For customers in the USA**  
To register this product on line at <http://www.sony.com/ipodregistration> Proper registration will enable us to send you periodic updates about new product services, and other important announcements. Registering your product also allows us to contact you in the event that the product needs adjustment or modification. Thank you.

### WARNING

To reduce the risk of fire or electric shock, do not expose this apparatus to rain or moisture.

To reduce the risk of fire, do not cover the ventilation of the apparatus with newspapers, tablecloths, curtains, etc. And do not place night candles on the apparatus.

To reduce the risk of fire or electric shock, do not expose this apparatus to dripping or splashing, and do not place objects filled with liquids, such as vases, on the apparatus.

Do not install the appliance in a confined space, such as a bookcase or built-in cabinet.

Do not expose the batteries (battery pack or batteries installed) to excessive heat such as sunshine, fire or a hot fire for a long time.

As the main plug of AC adaptor is used to disconnect the AC adaptor from the mains, connect it to an easily accessible AC outlet. Should you notice an abnormality in it, disconnect it from the AC outlet immediately.

The nameplate and important information concerning safety are located on the bottom exterior of the main unit and on the surface of the AC adaptor.

You are cautioned that any changes or modifications not expressly approved in this manual could void your authority to operate this equipment.

### CAUTION

Danger of explosion if battery is incorrectly replaced. Replace only with the same type.

### NOTE

This equipment has been tested and found to comply with the limits for a Class B digital device, pursuant to Part 15 of the FCC Rules. These limits are designed to provide reasonable protection against harmful interference in a residential installation. This equipment generates, uses and can radiate radio frequency energy and, if not installed and used in accordance with the instructions, may cause harmful interference to radio communications. However, there is no guarantee that interference will not occur in a particular installation. If this equipment does cause harmful interference to radio or television reception, which can be determined by turning the equipment off and on, the user is encouraged to try to correct the interference by one or more of the following measures:

- Reorient or relocate the receiving antenna.
- Increase the separation between the equipment and receiver.
- Connect the equipment into an outlet on a circuit different from that which the receiver is connected.
- Consult the dealer or an experienced radio/TV technician for help.

### WARNING

Replace the battery for the clock backup with a Sony CR2032 lithium battery, and the battery for the remote control with a Sony CR2025 lithium battery. Use of another battery may present a risk of fire or explosion. The battery may explode if mistreated. Do not recharge, disassemble or dispose of it.

### Important Safety Instructions

- 1) Read these instructions.
- 2) Keep these instructions.
- 3) Heed warnings.
- 4) Follow all instructions.
- 5) Do not use this apparatus near water.
- 6) Clean only with dry cloth.
- 7) Do not block any ventilation openings. Install in accordance with the manufacturer's instructions.
- 8) Do not install near any heat sources such as radiators, heat registers, stoves, or other apparatus (including amplifiers) that produce heat during operation.
- 9) Do not defeat the safety purpose of the polarized or grounding-type plug. A polarized plug has two blades with one wider than the other. A grounding type plug has two blades and a third grounding prong. The wide blade or the third prong are provided for your safety. If the provided plug does not fit into your outlet, consult an electrician for replacement of the obsolete outlet.
- 10) Protect the power cord from being walked on or pinched particularly at plugs, convenience receptacles, and the point where they exit from the apparatus.
- 11) Only use attachments/accessories specified by the manufacturer.
- 12) Use only with the cart, stand, tripod, bracket, or table specified by the manufacturer, or sold with the apparatus. When a cart is used, use caution when moving the cart/apparatus combination to avoid injury from tip-over.
- 13) Unplug this apparatus during lightning storms or when unused for long periods of time.
- 14) Refer all servicing to qualified service personnel. Servicing is required when the apparatus has been damaged in any way, such as power-supply cord or plug is damaged, liquid has been spilled or objects have fallen into the apparatus, the apparatus has been exposed to rain or moisture, does not operate normally, or has been dropped.

### For the state of California USA only

Perchlorate Material—special handling may apply. See [www.dtsc.ca.gov/hazardouswaste/perchlorate](http://www.dtsc.ca.gov/hazardouswaste/perchlorate)  
Perchlorate Material: Lithium battery contains perchlorate

### On copyrights

Apple, iPod, iPod nano, and iPod touch are trademarks of Apple Inc., registered in the U.S. and other countries. Lightning is a trademark of Apple Inc. "Made for iPod" and "Made for iPhone" mean that an electronic accessory has been designed to connect specifically to iPod or iPhone, respectively, and has been certified by the developer to meet Apple performance standards. Apple is not responsible for the operation of this device or its compliance with safety and regulatory standards. Please note that the use of this accessory with iPod or iPhone may affect wireless performance. No Power No Problem is a trademark of Sony Corporation. Auto Time Set is a trademark of Sony Corporation.

### Notes

- This unit is not specified for use with an iPad, and malfunction may result if used with one.
- In the Reference Guide, "iPhone" is used as a general reference to functions on an iPod or iPhone, unless otherwise specified by the text or illustrations.

### Precautions

- To disconnect AC power, grasp the plug itself, not the cord.
- Since a strong magnet is used for the speaker, keep credit cards using magnetic coding or spring-wound watches, CRT-based TVs, or projectors, etc., away from the unit to prevent possible damage from the magnet.
- Do not leave the unit in a location near a heat source such as a radiator or air duct, or in a place subject to direct sunlight, excessive dust, mechanical vibration, or shock.
- Allow adequate air circulation to prevent internal heat build-up.
- Do not place the unit on a surface (a rug, a blanket, etc.) or near materials (a curtain) which might block the ventilation holes.
- Should any solid object or liquid fall into the unit, unplug the unit and have it checked by qualified personnel before operating it any further.
- During a thunderstorm, do not touch the antenna (aerial) and plug.
- Do not touch the unit with wet hands.
- Do not place the unit anywhere near water.

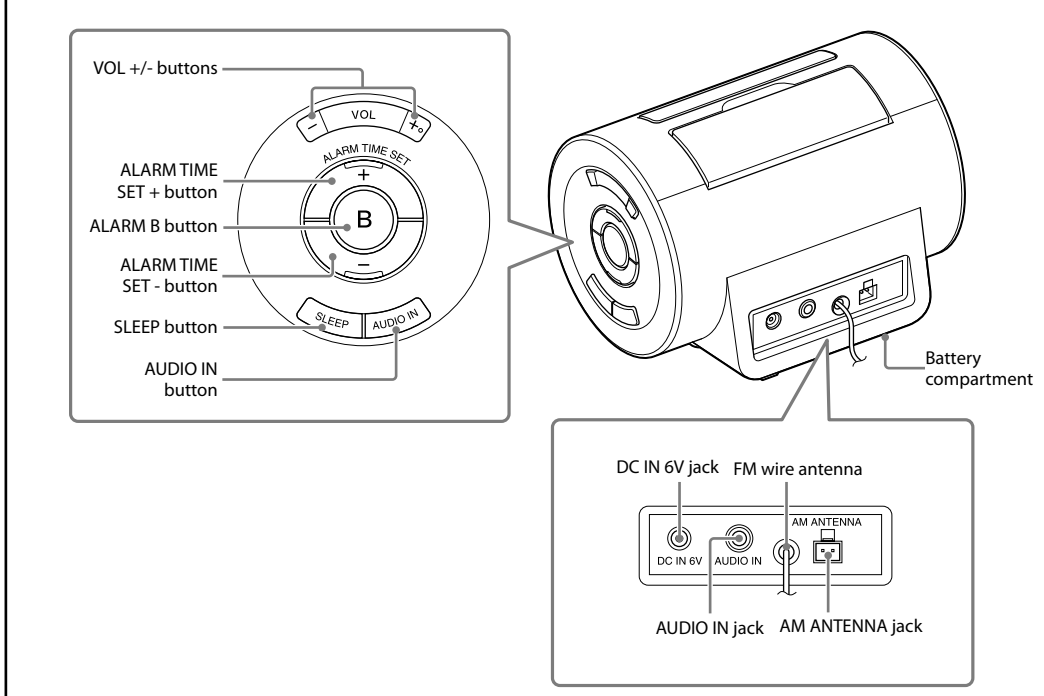
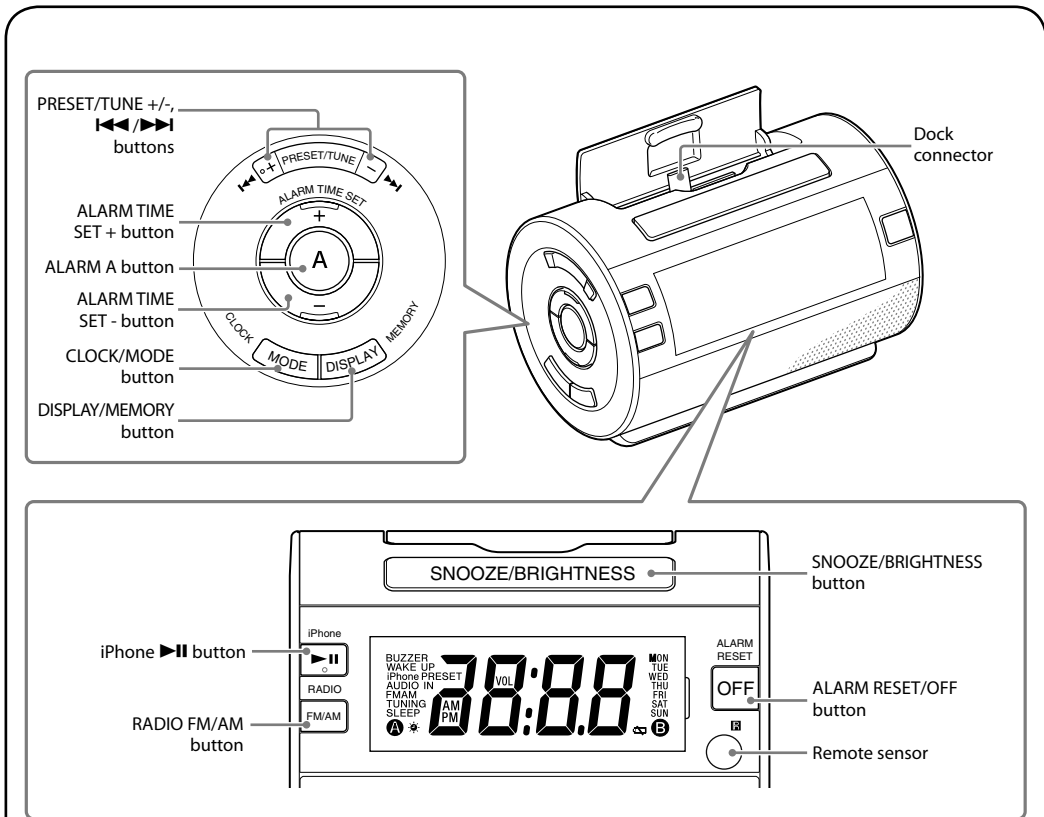
### Notes on the AC adaptor

- Use only the supplied AC adaptor. To avoid damaging the system, do not use any other AC adaptor.

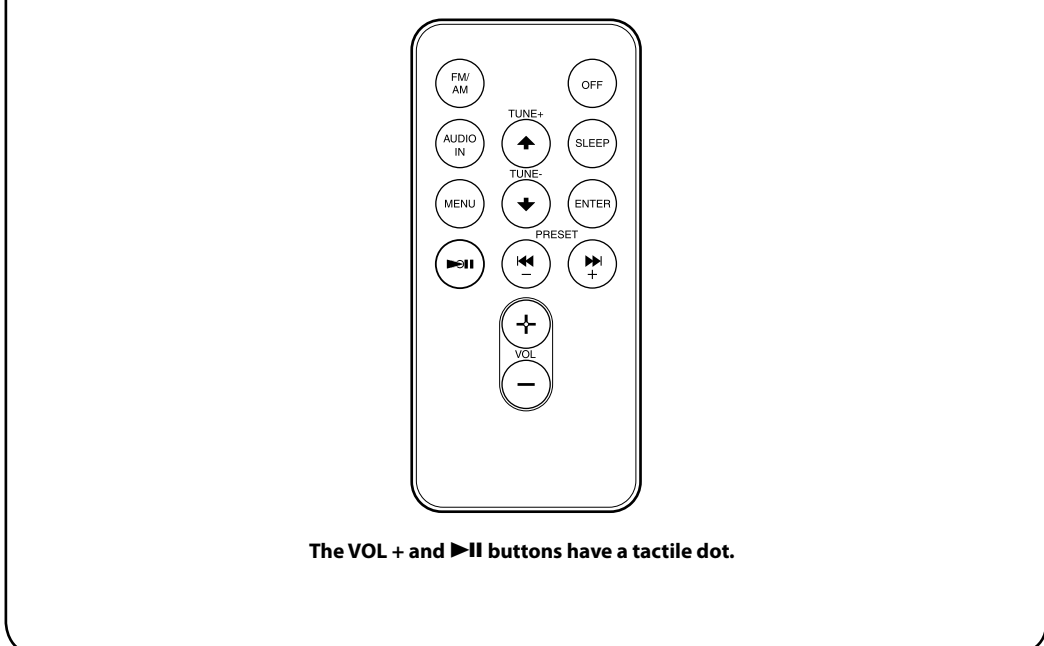
- Plug the AC adaptor into a nearby wall outlet (mains). In the case of a connector, unplug it from the wall outlet (mains) immediately.

- Do not install the AC adaptor in a confined space, such as a bookcase or built-in cabinet.

- To reduce the risk of fire or electric shock, do not expose the AC adaptor to dripping or splashing, and do not place objects filled with liquids, such as vases, on the AC adaptor.



The VOL +, PRESET/TUNE +/-, and iPhone buttons have a tactile dot.



The VOL + and BRIGHTNESS buttons have a tactile dot.

## Operations

### Setting the clock

To set the clock for the first time

- 1 This unit is preset to the current EST (Eastern Standard Time) at this factory, and is powered by a backup battery. All you need to do the first time is just plug it in and select your time zone.

- 1 Plug in the unit.

- 2 Press and hold OFF and CLOCK/MODE for at least 2 seconds.

Area number "2" flashes in the display.

- 3 Press ALARM TIME SET + or – repeatedly to select the number as follows:

Area number	Time zone
0	Newfoundland Standard Time
1	Atlantic Standard Time
2	Eastern Standard Time (default setting)
3	Central Standard Time
4	Mountain Standard Time
5	Pacific Standard Time
6	Alaska Standard Time
7	Hawaii Standard Time

- 4 Press DISPLAY/MEMORY to set.

- To cancel the time zone setting, press OFF instead of DISPLAY/MEMORY in step 4.

- Though the clock is correct at the factory, discrepancies may arise during transport or storage. If necessary, set the clock to the correct time by referring to "To set the clock manually."

### When daylight saving time (DST/summer time) begins

This unit automatically adjusts for daylight saving time (summer time) and disappears at the end of the daylight saving time (summer time) automatically.

- Daylight saving time (summer time) begins at 2:00 AM on the second Sunday of March.
- Standard time begins at 2:00 AM on the first Sunday of November.

### To cancel Auto DST/summer time adjustment during the daylight saving time (summer time) period

The Auto DST/summer time adjustment can be canceled. Press and hold OFF and DISPLAY/MEMORY on the unit at the same time for at least 2 seconds while the clock is displayed.

"\*" and "OFF" appear in the display to show that Auto DST/summer time adjustment has been canceled. The display returns to the clock.

- Changes to Auto DST/summer time adjustment by the unit (see above) are subject to circumstances and laws in each country/region. Should this interfere with desired adjustment, cancel the Auto DST/summer time adjustment and set the DST display manually as necessary. Customers living in a country/region that does not use daylight saving time (summer time) must cancel Auto DST/summer time adjustment before using the unit.

To do Auto DST/summer time adjustment again, press and hold OFF and DISPLAY/MEMORY on the unit at the same time for at least 2 seconds.

- "\*" and "On" appear in the display to show that Auto DST/summer time adjustment has been activated. The display returns to the clock.
- When Hawaii Standard Time is set, Auto DST/summer time adjustment defaults to off. You can turn it on by the above operation.

### To set the clock manually

To change the clock setting manually, operate the unit as follows.

- 1 Plug in the unit.

- 2 Press and hold CLOCK/MODE until the year flashes in the display.

- 3 Press ALARM TIME SET + or – repeatedly to select the year, and then press CLOCK/MODE.

- 4 Repeat step 3 to set the month, day, hour and minute.

The seconds start incrementing from zero.

### Notes

- You do not press any button for about 1 minute while setting the clock, the clock setting will be canceled.
- A 100-year calendar (2013 - 2112) is installed in the unit. When the date is set, the day of the week is automatically displayed.

MON = Monday, TUE = Tuesday, WED = Wednesday, THU = Thursday, FRI = Friday, SAT = Saturday, SUN = Sunday

### To change the time format

You can choose a time format of the 12-hour system (default) or the 24-hour system.

- Press and hold OFF and SNOOZE/BRIGHTNESS on the unit at the same time for at least two seconds.

The time format toggles between the 12-hour system ("AM 12:00" = midnight) and the 24-hour system ("00:00" = midnight).

### To display the year and date

During clock display, press DISPLAY/MEMORY once for the month and date, and press it again for the year.

After a few seconds, the display will change back to the current time automatically.

## Operating an iPhone

- 1 Set the iPhone on the Dock connector. The Dock connector can be tilted slightly.

- 2 Press **▶||** "Phone" appears in the display. The iPhone begins to play back. If the iPhone does not start playing back, operate directly on the iPhone.

- 3 Adjust the volume using VOL + or –.

### To operate from a remote control

Aim the remote at the **◀||** (Remote sensor) of the unit.

- ▶|| (Play/Pause)
- ▶ Start playing the iPhone. Press again to pause/resume playback.

- ▶|| (Forward)
- ▶ Go to the next track.
- ▶ Press and hold while listening to the sound to locate a desired point.

- ◀|| (Backward)
- ▶ Go back to the previous track. During playback, this operation returns to the beginning of the current track. To go back to the previous track, press twice.
- ▶ Press and hold while listening to the sound to locate a desired point.

- ▶|| (Menu)
- ▶ Go back to the previous menu.

- ▶ (Up) / (Down)
- ▶ Select a menu item or track for playback.

**ENTER**

- ▶ Execute the selected menu item or begin playback.

### Notes

- If a pop-up message appears in the display of the iPod touch or iPhone, see "About App."
- Some operations may differ or may not be available on some models of iPhone.

- If the iPhone is already playing when set on the unit, the sound from the iPhone will be output from the unit speaker, even if the unit was playing sound from another function.

- If the battery of the iPhone is extremely low, charge it for a while before operating.
- Sony cannot accept responsibility in the event that data recorded to an iPhone is lost or damaged when using the iPhone connected to this unit.
- For details of environmental conditions for operating an iPhone, check the website of Apple Inc.

## Operating the radio

### –Manual tuning

- 1 Press FM/AM to turn on the radio.
- 2 Press FM/AM repeatedly to select the desired band.

Each time you press the button, the radio band toggles between AM and FM as follows:

- 3 Press CLOCK/MODE repeatedly to select "TUNING."

When using the remote to operate the unit, you can skip this step, and directly operate step 4.

- 4 Press TUNE + or – repeatedly to tune to the desired station.

- 5 Adjust the volume using VOL + or –.
- 5 Turn off the radio, press OFF.

### –Scan tuning

The unit automatically scans for AM or FM stations.

- 1 Follow steps 1 to 3 in "Manual tuning"
- 2 Press and hold TUNE + or –.

– : scans upward through the frequency bands. – : scans downwards through the frequency bands. Scanning starts from the currently-tuned frequency. When a station is received, scanning stops.

- 3 Adjust the volume using VOL + or –.

### –Preset tuning

You can preset up to 20 FM stations and 10 AM stations.

### To preset a station

- 1 Follow steps 1 to 5 in "Manual tuning" and manually tune into the station you wish to preset.

- 2 Press and hold DISPLAY/MEMORY for at least 2 seconds.

- 3 Press PRESET + or – to select the preset number, then press DISPLAY/MEMORY.

Example: The following displays appear when you preset FM 89.8 MHz to preset number 2 for FM.



The display shows the frequency for about 10 seconds, then returns to the current time.

### Notes

- To cancel another station, repeat these steps.
- To preset the preset number, press OFF instead of DISPLAY/MEMORY in step 3.

### To tune to a preset station

- 1 Follow steps 1 to 2 in "Manual tuning" and select the AM or FM band.

- 2 Press CLOCK/MODE repeatedly to select "PRESET."

- 3 Press PRESET + or – to select the desired preset number.

- 4 Adjust the volume using VOL + or –.

### –Auto preset tuning

- 1 Follow steps 1 to 2 in "Manual tuning" and select the AM or FM band.

- 2 Press and hold FM/AM until "AP" flashes in the display.

- 3 Press DISPLAY/MEMORY. The unit automatically presets the available stations in order.

**Tip**

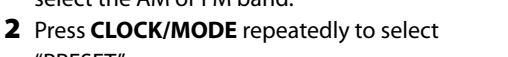
- To stop auto preset tuning, press FM/AM.

### To switch the display when listening to radio

When listening to radio, press DISPLAY/MEMORY repeatedly to show the preset numbers, the frequency of the current station, the month and date, then the year. The display then returns to the current time.

### To remove an iPhone

Hold the unit when removing the iPhone.



### Notes on radio reception

- Do not place the AM loop antenna near the unit, power supply or other AV equipment during use, as noise may result.
- Keep digital music players or mobile phones away from the AM loop antenna or the FM antenna, as this may lead to reception interference.
- When you are listening to the radio with an iPhone connected to the unit, interference with radio reception may occur.
- When you are listening to the radio while charging an iPhone, interference with radio reception may occur.

### Notes

- An iPhone in a case or cover can be set on this unit. Remove the case or cover if it interferes with the Dock connection.
- Set the iPhone on the Dock connector firmly.
- When setting or removing the iPhone, hold it at the same angle as the Dock connector on the unit. Do not pull the iPhone forward too far.
- When setting or removing the iPhone, hold the unit securely.
- Do not twist or bend the iPhone, as this may result in connector damage.
- Remove the iPhone when transporting it; otherwise, a malfunction may result.

### To charge an iPhone

You can use the unit as a battery charger for an iPhone. Charging begins when the iPhone is connected to the unit. The charging status appears in the display of the iPhone. For details, refer to the user's guide of the iPhone.

### 8 Press ALARM TIME SET + or – repeatedly until the desired alarm mode flashes.

You can choose one of 4 settings: "iPhone," "FM," "AM" or "BUZZER" Set the alarm mode as follows:

- iPhone: see "▶||" to set the alarm as "iPhone."
- FM or AM: see "▶||" to set the radio alarm.
- BUZZER: see "▶||" to set the buzzer alarm."

### A) To set the alarm as iPhone

- 1 Perform steps 1 to 8 in "To set the alarm."

- 2 Press ALARM A or B to select alarm mode for "iPhone."

- 3 Press ALARM TIME SET + or – to adjust the volume.

- 4 Press ALARM A or B. The setting is entered. "A" or "B" appears in the display indicating that the alarm has been activated. The iPhone will sound at the set time.

### Notes

- To wake up to music stored in an iPhone, connect the iPhone to the unit before the alarm sounds.
- Even if the alarm setting for iPhone is complete, if you turn the iPhone power off after setting the iPhone on the unit, the alarm will be the buzzer.

### B) To set the radio alarm

- 1 Perform steps 1 to 8 in "To set the alarm."

- 2 Press ALARM A or B to select radio band ("FM" or "AM").

- 3 Press ALARM TIME SET + or – to select the desired preset number or "- " of the corresponding band.

"--" is the last station you listened to before the alarm sounds.

- 4 Press ALARM A or B. The volume level flashes in the display.

- 5 Press ALARM TIME SET + or – to adjust the volume.

- 6 Press ALARM A or B. The setting is entered. "A" or "B" appears in the display indicating that the alarm has been activated. The radio will turn on at the set time.

### C) To set the buzzer alarm

- 1 Perform steps 1 to 8 in "To set the alarm."

- 2 Press ALARM A or B to select "BUZZER" alarm mode.

- 3 Press ALARM TIME SET + or – to select the desired preset number or "- " of the corresponding band.

"--" is the last station you listened to before the alarm sounds.

- 4 Press ALARM A or B. The setting is entered. "A" or "B" appears in the display indicating that the alarm has been activated. The buzzer will sound at the set time.

### To confirm an alarm time setting

- Press ALARM TIME SET + or –. The setting will be displayed for about 4 seconds.

### To change an alarm setting

Press and hold ALARM TIME SET + for at least 2 seconds to move the alarm time



