

MVC-FD87/FD92

SERVICE MANUAL

AEP Model
UK Model

Level 1

Self Diagnosis
Supported model

Ver 1.1 2001.06

FD Mavica

InfoLITHIUM™ SERIES



MEMORY STICK



PHoto: MVC-FD92

SPECIFICATIONS

System

Image device

FD92: 5 mm (1/3.6 type) color CCD
FD87: 6.64 mm (1/2.7 type) color CCD

Lens

FD92: 8× zoom lens
f = 4.75 – 38 mm (3/16 – 1 1/2 inches)
(41 – 328 mm (1 5/8 – 13 inches) when converted into a 35 mm still camera)
F = 2.8 – 3.0
FD87: 3× zoom lens
f = 6.1 – 18.3 mm (1/4 – 3/4 inches) (39 – 117 mm (1 9/16 – 4 5/8 inches) when converted into a 35 mm still camera)
F = 2.8 – 2.9

Exposure control

Automatic exposure

White balance

Automatic, Indoor, Outdoor, Hold

Data system

FD92: Movie: MPEG
Still: JPEG, GIF (in TEXT mode, Clip Motion), TIFF
Audio with still image: MPEG (Monaural)
FD87: GIF (in TEXT mode)
Floppy disk: JPEG (JFIF)
“Memory Stick”: JPEG (Exif2.1)

Recording medium

FD92: Floppy disk:
3.5 inch 2HD MS-DOS format (1.44 MB)
“Memory Stick”
FD87: Floppy disk:
3.5 inch 2HD MS-DOS format (1.44 MB)
“Memory Stick”
(When using with the MSAC-FD2M/FD2MA Floppy Disk Adaptor for Memory Stick): DCF format

Flash

Recommended recording distance:
0.3 m to 2.5 m (11 7/8 inches to 8 1/3 feet)

Input and Output connector (FD92)

A/V OUT (MONO) (Monaural)
Minijack Video:
1 Vp-p, 75 Ω, unbalanced, sync negative
Audio: 327 mV (at a 47 kΩ load)
Output impedance: 2.2 kΩ

ACC jack

Minijack

USB jack

mini-B

LCD screen

LCD panel
TFT (Thin Film Transistor active matrix) drive

Total number of dots
123 200 (560×220) dots

General

Application
Sony battery pack NP-F330 (supplied)/F550

Power requirements
8.4 V

Power consumption (During shooting)
3.5 W

Operating temperature
0°C to 40°C (32°F to 104°F)

Storage temperature
–20°C to +60°C (–4°F to +140°F)

Dimensions (Approx.)
FD92: 143×103×79 mm
(5 3/4×4 1/8×3 1/8 inches)
(w/h/d)

FD87: 143×103×75 mm
(5 3/4×4 1/8×3 inches)
(w/h/d)

Mass (Approx.)
FD92: 660 g (1 lb 7 oz) (including NP-F330 battery pack, floppy disk and lens cap, etc.)
FD87: 630 g (1 lb 6 oz) (including NP-F330 battery pack, floppy disk and lens cap, etc.)

Built-in microphone (FD92)

Electret condenser microphone

Built-in speaker (FD92)

Dynamic speaker

AC-L10A/L10B/L10C

AC power adaptor

Power requirements
100 to 240 V AC, 50/60 Hz

Rated output voltage
DC 8.4 V, 1.5 A in operating mode

Operating temperature
0°C to 40°C (32°F to 104°F)

Storage temperature
–20°C to +60°C (–4°F to +140°F)

Dimensions (Approx.)
125×39×62 mm (5×1 9/16×2 1/2 inches) (w/h/d)

Mass (Approx.)
280 g (10 oz)

NP-F330 battery pack

Battery type

Lithium ion

Maximum output voltage

DC 8.4 V

Mean output voltage

DC 7.2 V

Capacity

5.0 Wh (700 mAh)

Operating temperature
0°C to 40°C (32°F to 104°F)

Dimensions (Approx.)
38.4 20.6 70.8 mm
(1 9/16 13/16 2 7/8 inches)
(w/h/d)

Mass (Approx.)
70 g (2 oz)

Accessories

AC-L10A/L10B/L10C
AC power adaptor (1)
Power cord (mains lead) (1)
USB cable (1) (FD92)
NP-F330 battery pack (1)
A/V connecting cable (1) (FD92)
Shoulder strap (1)
Lens cap (1)
Lens cap strap (1)
CD-ROM (SPVD-004 USB Driver) (1)
Operating instructions (1)

Design and specifications are subject to change without notice.

DIGITAL STILL CAMERA

SONY®

• Floppy disk that can be used by the MVC-FD87/FD92

- Size : 3.5-inch
- Type : 2 HD
- Capacity : 1.44 MB
- Format : MS-DOS format
(512 bytes × 18 sector)
(FD can be formatted by the MVC-FD87/FD92)

Table for differences of function

Model	MVC-FD87	MVC-FD92
Image device	1/2.7-inch CCD	1/3.6-inch CCD
Lens	3×	8×
Digital zoom	6×	16×
Recording moving image	–	○
Audio with still image	–	○
MS socket	–	○
Digital I/O (USB)	–	○

SAFETY-RELATED COMPONENT WARNING!!

COMPONENTS IDENTIFIED BY MARK \triangle OR DOTTED LINE WITH MARK \triangle ON THE SCHEMATIC DIAGRAMS AND IN THE PARTS LIST ARE CRITICAL TO SAFE OPERATION. REPLACE THESE COMPONENTS WITH SONY PARTS WHOSE PART NUMBERS APPEAR AS SHOWN IN THIS MANUAL OR IN SUPPLEMENTS PUBLISHED BY SONY.

SAFETY CHECK-OUT

After correcting the original service problem, perform the following safety checks before releasing the set to the customer.

1. Check the area of your repair for unsoldered or poorly-soldered connections. Check the entire board surface for solder splashes and bridges.
2. Check the interboard wiring to ensure that no wires are “pinched” or contact high-wattage resistors.
3. Look for unauthorized replacement parts, particularly transistors, that were installed during a previous repair. Point them out to the customer and recommend their replacement.
4. Look for parts which, though functioning, show obvious signs of deterioration. Point them out to the customer and recommend their replacement.
5. Check the B+ voltage to see it is at the values specified.
6. Flexible Circuit Board Repairing
 - Keep the temperature of the soldering iron around 270 °C during repairing.
 - Do not touch the soldering iron on the same conductor of the circuit board (within 3 times).
 - Be careful not to apply force on the conductor when soldering or unsoldering.

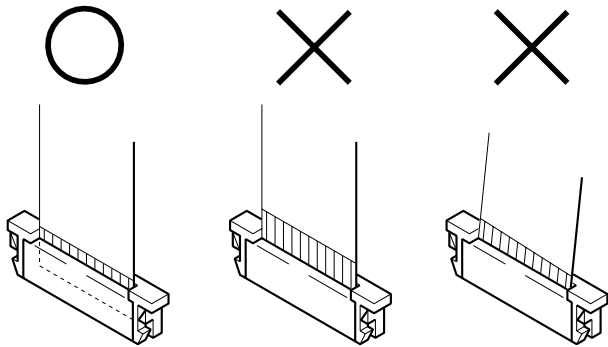
TABLE OF CONTENTS

<u>Section</u>	<u>Title</u>	<u>Page</u>
SERVICE NOTE		4
	Self-diagnosis Display	5
1. MAIN PARTS		
1.	Ornamental Parts	6
2. DISASSEMBLY		
2-1.	Cabinet (Rear) Block Assembly	7
2-2.	FDD Block Assembly	7
2-3.	FC-85 Board	8
2-4.	Lens Block Assembly	8
2-5.	PK-54 Board	8
2-6.	LCD Module	8
3. REPAIR PARTS LIST		
3-1.	Exploded Views	9
3-1-1.	Cabinet (Front) Section	9
3-1-2.	Cabinet (Front) Assembly	10
3-1-3.	FDD Block Section	11
3-1-4.	Cabinet (Rear) Section	12
3-1-5.	Cabinet (Rear) Assembly	13
3-1-6.	Lens Block Section (FD87)	14
3-1-7.	Lens Block Section (FD92)	15
4. GENERAL		
	Introduction	16
	Identifying the Parts	17
	Preparing the Power Supply	17
	Setting the Date and Time	18
	Inserting a Floppy Disk	19
	Inserting a "Memory Stick"	19
	Recording Still Images	19
	Recording Moving Images	21
	Playing Back Still Images	21
	Playing Back Moving Images	21
	Viewing Images Using a Computer	22
	Image File Storage Destinations and Image File Names	23
	Before Performing Advanced Operations	24
	Various Recording	26
	Various Playback	30
	Editing	31
	As an External Drive	33
	Additional Information	33
	Troubleshooting	34
	Warning and Notice Messages	36
	Self-diagnosis Display	36
	LCD Screen Indicators	36

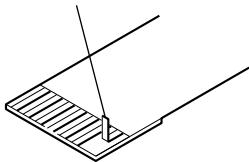
SERVICE NOTE

• NOTE FOR REPAIR

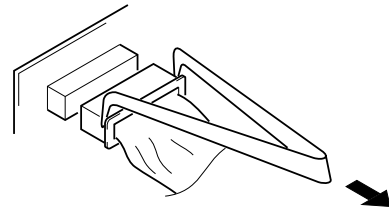
Make sure that the flat cable and flexible board are not cracked or bent at the terminal.
Do not insert the cable insufficiently nor crookedly.



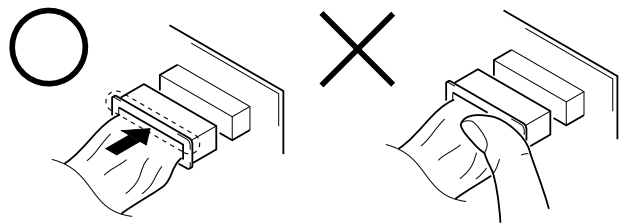
Cut and remove the part of gilt which comes off at the point.
(Be careful or some pieces of gilt may be left inside)



When remove a connector, don't pull at wire of connector.
It is possible that a wire is snapped.



When installing a connector, don't press down at wire of connector.
It is possible that a wire is snapped.



[Discharging of the FLASH unit's charging capacitor]

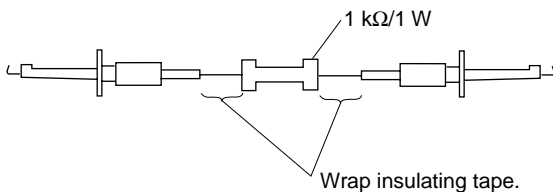
The charging capacitor of the FLASH unit is charged up to the maximum 300 V potential.

There is a danger of electric shock by this high voltage when the battery is handled by hand. The electric shock is caused by the charged voltage which is kept without discharging when the main power of the MVC-FD87/FD92 is simply turned off. Therefore, the remaining voltage must be discharged as described below.

Preparing the Short Jig

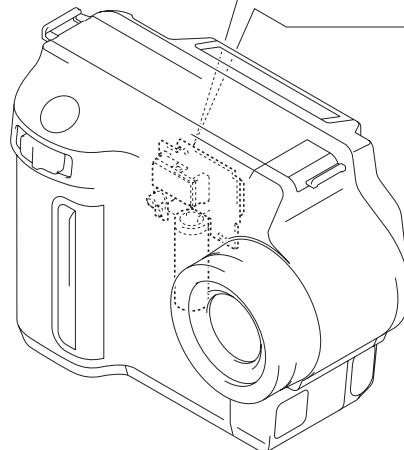
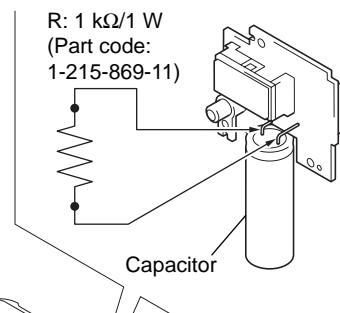
To preparing the short jig, a small clip is attached to each end of a resistor of 1 k Ω / 1 W (1-215-869-11).

Wrap insulating tape fully around the leads of the resistor to prevent electrical shock.



Discharging the Capacitor

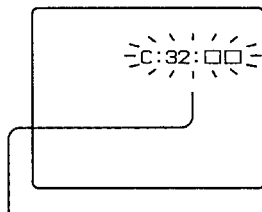
Short-circuit between the positive and the negative terminals of charged capacitor with the short jig about 10 seconds.



[Description on Self-diagnosis Display]

Self-diagnosis display

The camera has a self-diagnosis display. This function displays the camera condition with five-digits (a combination of a letter and figures) on the LCD screen. If this occurs check the following code chart. The five-digit display informs you of the camera current condition. The last two digits (indicated by □□) will differ depending on the state of the camera.



Self-diagnosis display

- C: □□: □□
You can reverse the camera malfunction yourself.
- E: □□: □□
Contact your Sony dealer or local authorized Sony service facility.

Note : The “Self-diagnosis” data is backed up by the coin lithium battery. The data will be lost and initialized when the coin lithium battery is removed.

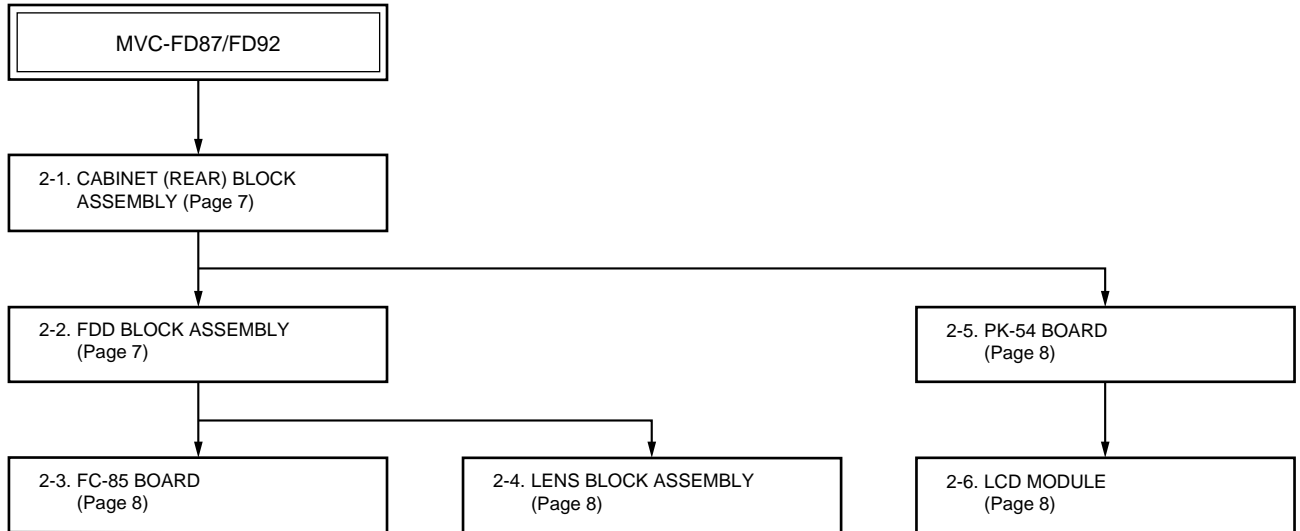
Display Code	Countermeasure	Cause	Caution Display During Error
C:32:01	Change the disk and turn off the main power then back on.	Defective floppy disk.	DRIVE ERROR
C:13:01	Replace the floppy disk or “Memory Stick” (FD92). Format the floppy disk or “Memory Stick” (FD92) with the MVC-FD87/FD92.	<ul style="list-style-type: none"> • The type of floppy disk that cannot be used by this machine, is inserted. (Such as 2DD) • Data is damaged. • Unformatted disk or “Memory Stick” (FD92) is inserted. 	DISK ERROR MEORY STICK ERROR (FD92)
E:91:01	Checking of flash unit or replacement of flash unit	Abnormality when flash is being charged.	Flash LED Flash display Flashing at 3.2 Hz
E:61:00	Checking of lens drive circuit	When failed in the focus initialization.	—
E61:10			

[Power supplying Method]

Use the AC power adaptor (AC-L10A) when supplying the power to this set.

2. DISASSEMBLY

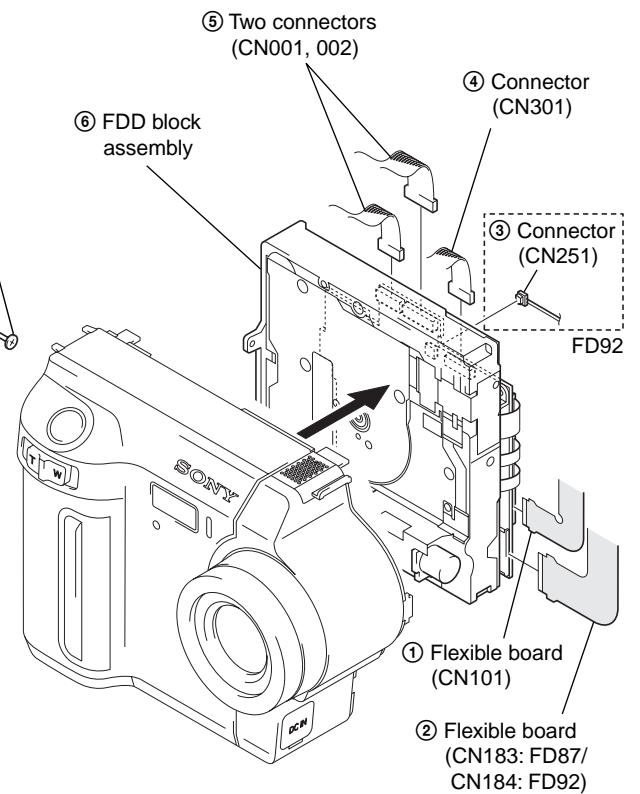
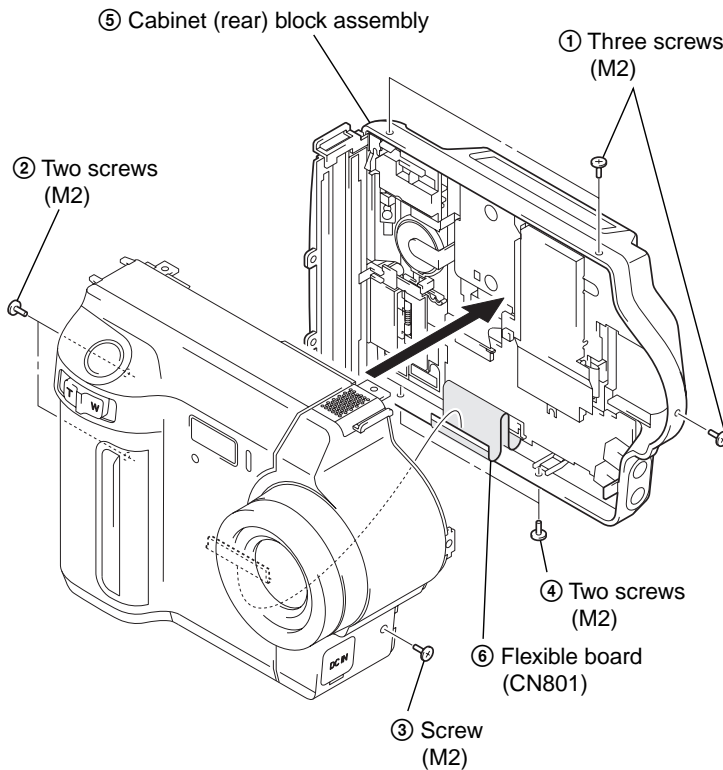
- This set can be disassembled in the order shown below.



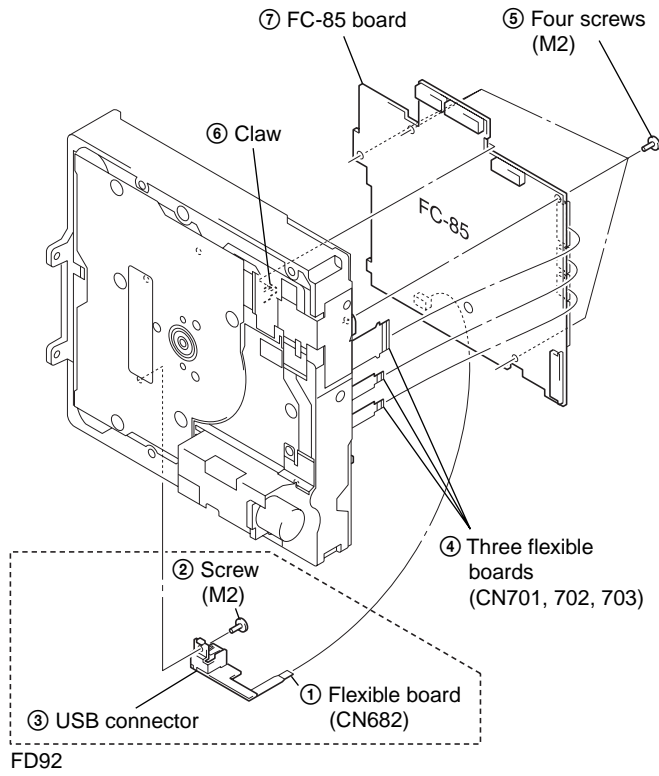
Note: Follow the disassembly procedure in the numerical order given.

2-1. CABINET (REAR) BLOCK ASSEMBLY

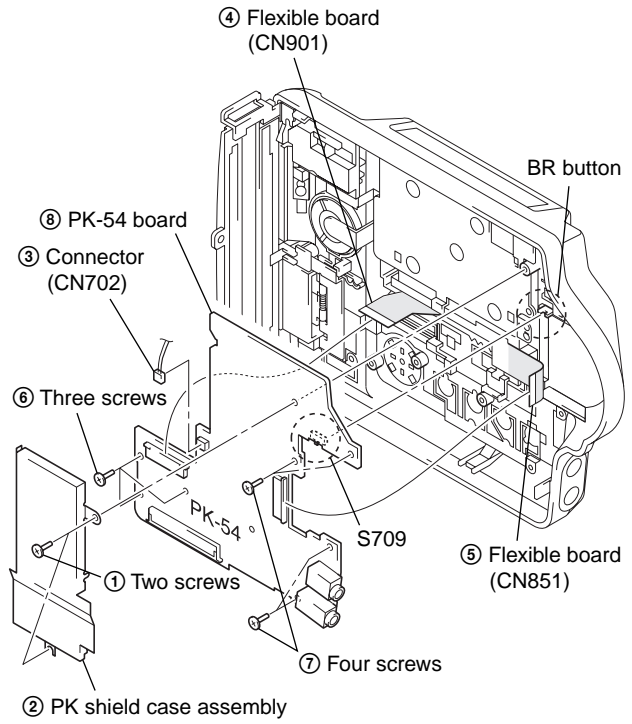
2-2. FDD BLOCK ASSEMBLY



2-3. FC-85 BOARD

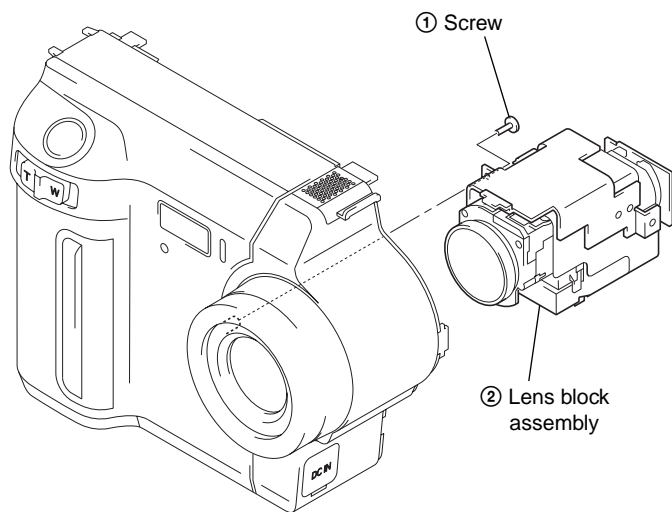


2-5. PK-54 BOARD

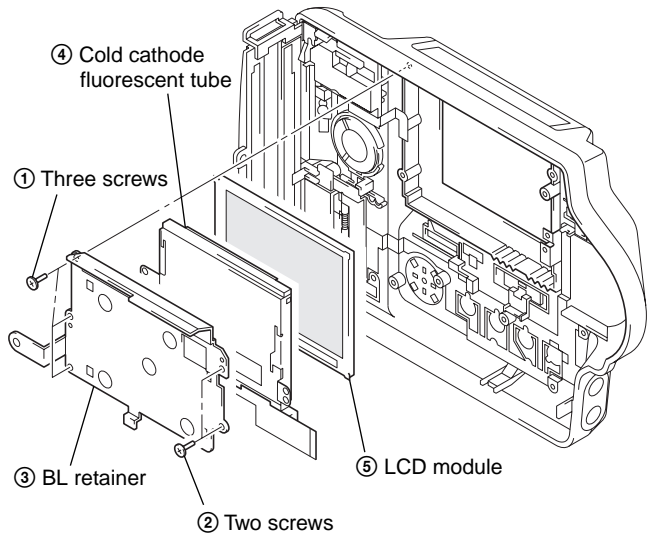


Note: When installing PK-54 board, connect S709 with BR button.

2-4. LENS BLOCK ASSEMBLY



2-6. LCD MODULE



3. REPAIR PARTS LIST

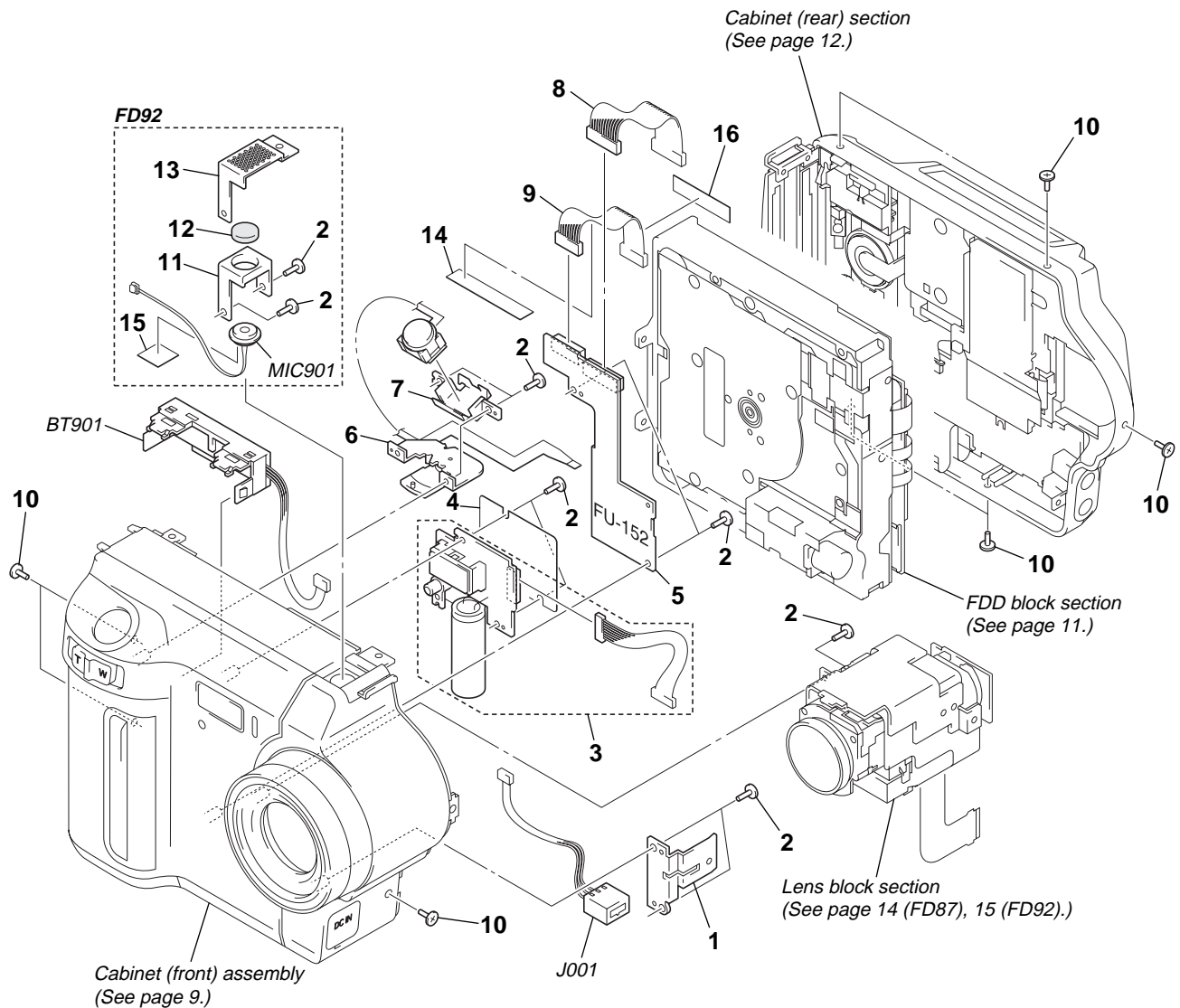
3-1. EXPLODED VIEWS

NOTE:

- -XX and -X mean standardized parts, so they may have some difference from the original one.
- Items marked “*” are not stocked since they are seldom required for routine service. Some delay should be anticipated when ordering these items.
- The mechanical parts with no reference number in the exploded views are not supplied.

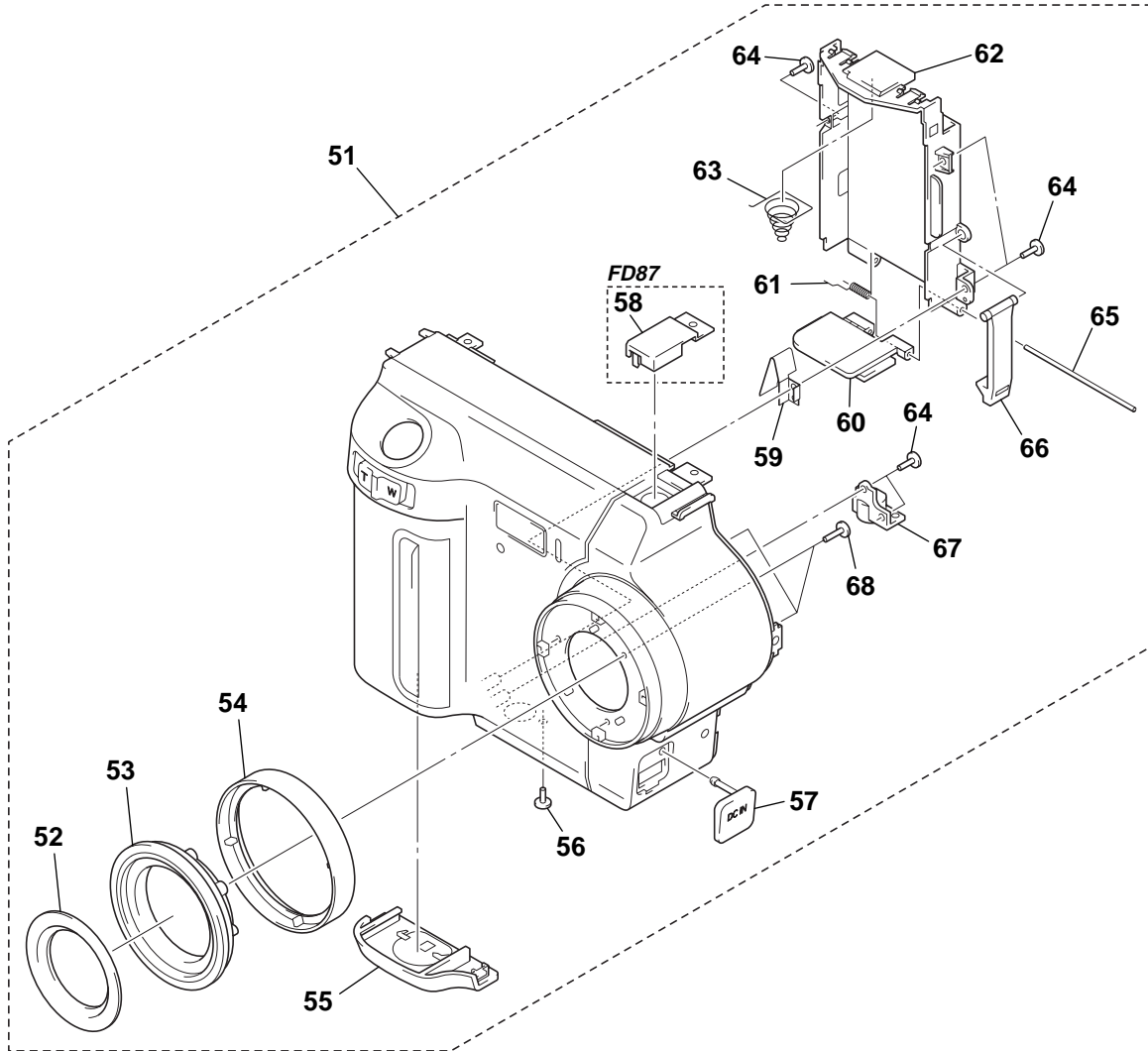
The components identified by mark Δ or dotted line with mark Δ are critical for safety. Replace only with part number specified.

3-1-1. CABINET (FRONT) SECTION



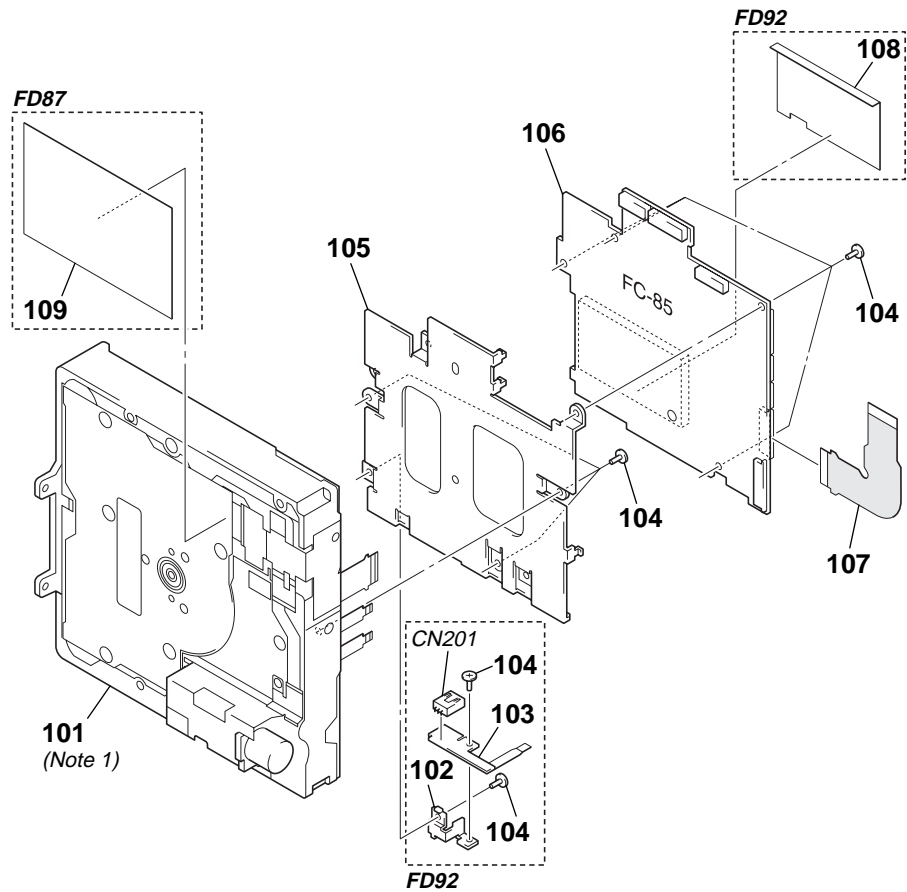
Ref. No.	Part No.	Description	Remark	Ref. No.	Part No.	Description	Remark
1	3-058-766-01	RETAINER, DC		11	3-058-764-01	HOLDER, MICROPHONE (FD92)	
2	3-948-339-61	TAPPING		* 12	3-058-797-01	CUSHION, MICROPHONE (FD92)	
Δ 3	not supplied	FLASH UNIT		13	3-058-765-21	COVER, MICROPHONE (FD92)	
* 4	3-058-801-01	SHEET, ST INSULATING		* 14	3-061-228-01	RETAINER, HARNESS	
5	not supplied	FU-152 BOARD, COMPLETE		15	3-062-299-01	SHEET, MICROPHONE (FD92)	
6	1-418-894-11	SWITCH BLOCK, CONTROL		* 16	3-056-033-02	SHEET, FLEXIBLE RETAINER	
7	3-058-742-01	HOLDER, SW		BT901	1-694-297-21	TERMINAL BOARD, BATTERY	
8	1-960-460-11	HARNESS (FU-051)		J001	1-794-045-21	CONNECTOR, DC-IN	
9	1-960-461-11	HARNESS (FU-052)		MIC901	1-542-428-11	MICROPHONE UNIT (FD92)	
10	3-968-729-91	SCREW (M2), LOCK ACE, P2					

3-1-2. CABINET (FRONT) ASSEMBLY



Ref. No.	Part No.	Description	Remark	Ref. No.	Part No.	Description	Remark
51	X-3951-435-1	CABINET (FRONT) ASSY (FD87)		58	3-066-768-01	CAP, MICROPHONE (FD87)	
51	X-3951-481-1	CABINET (FRONT) ASSY (FD92)		59	3-066-775-01	SPRING, BT PLATE	
52	X-3951-436-1	LABEL ASSY, LENS (FD87)		60	3-066-772-01	PLATE, HINGE	
52	X-3951-484-1	LABEL ASSY, LENS (FD92)		61	3-066-778-01	SPRING, BT TORSION	
53	3-066-744-01	SCREW, FILTER		62	3-066-773-01	HOLDER, BATTERY	
54	3-066-779-01	RING, ORNAMENTAL		63	3-969-380-01	SPRING, BATTERY	
55	3-066-771-01	LID, BATTERY (FD87)		64	3-948-339-01	SCREW, TAPPING	
55	3-066-771-11	LID, BATTERY (FD92)		65	3-066-774-01	SHAFT, HINGE	
56	3-719-381-01	SCREW (M2X4)		66	3-052-574-01	CLAW, BT LOCK	
57	3-058-767-11	COVER, DC (FD87)		67	3-058-755-01	SCREW, TRIPOD	
57	3-058-767-21	COVER, DC (FD92)		68	3-713-791-41	SCREW (M1.7X5), TAPPING, P2	

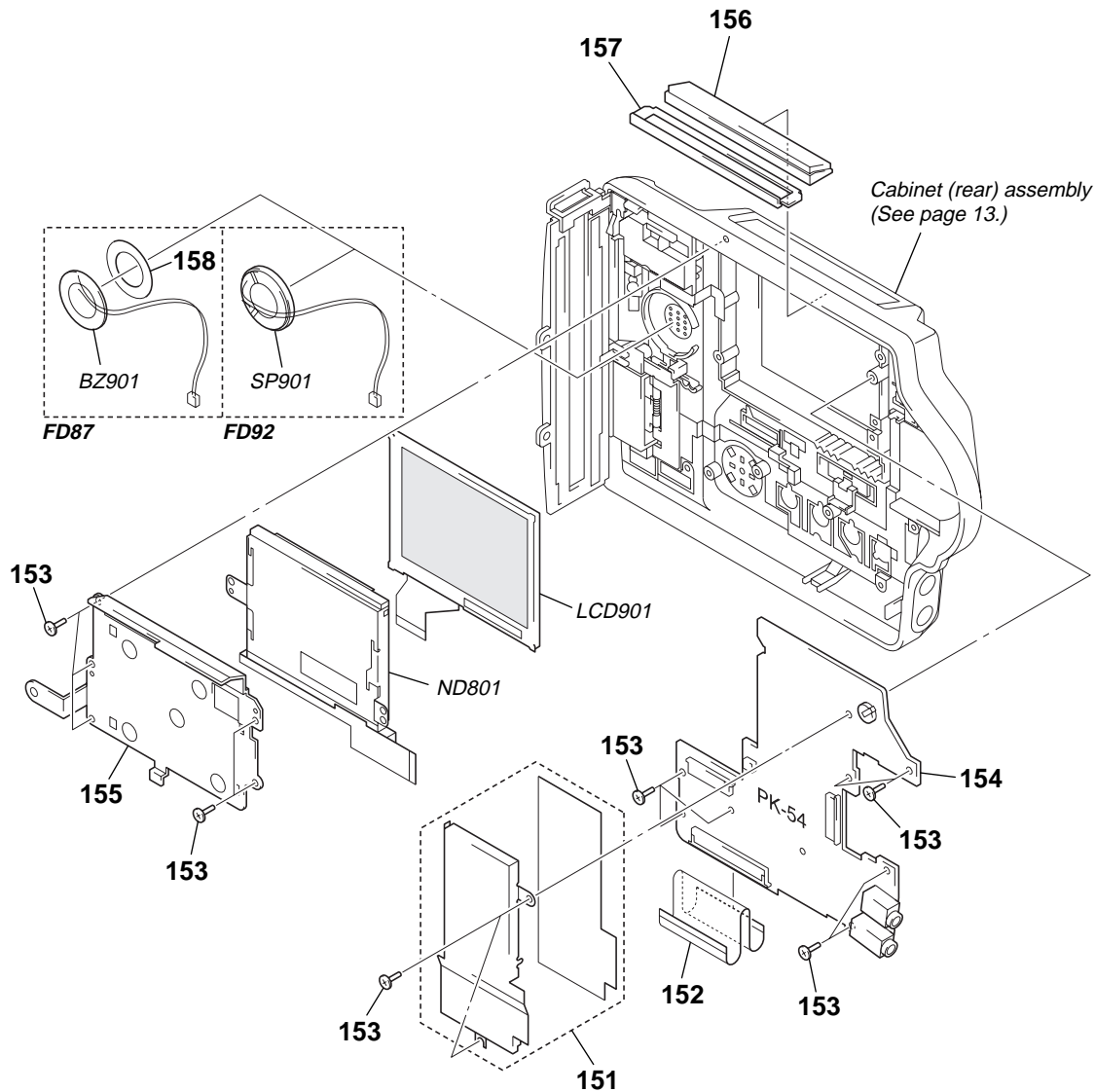
3-1-3. FDD BLOCK SECTION



(Note 1) The FD block assembly is a mechanical unit which has completely been adjusted in the factory. So never disassemble the FD block assembly.

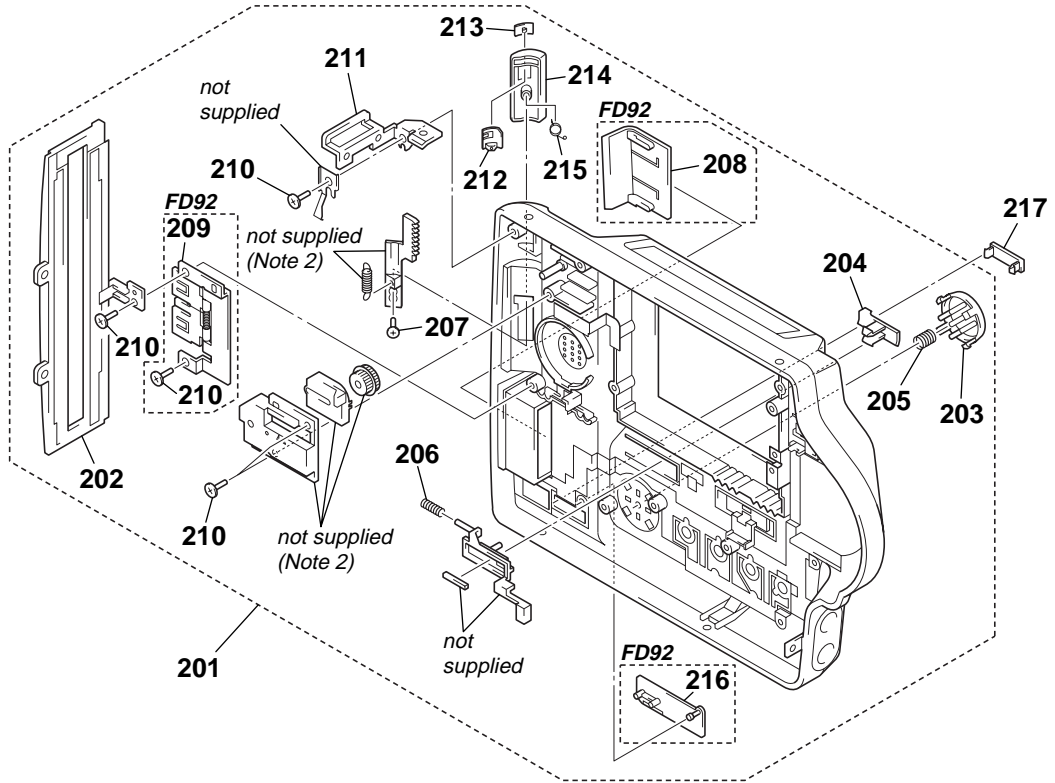
Ref. No.	Part No.	Description	Remark	Ref. No.	Part No.	Description	Remark
101	not supplied	DRIVE, FLOPPY DISK (Note 1)		106	not supplied	FC-85 BOARD, COMPLETE (SERVICE) (FD92)	
102	3-066-799-01	BRACKET, USB (FD92)		107	1-677-898-11	FP-167 FLEXIBLE BOARD (FD92)	
103	1-680-234-11	FP-335 FLEXIBLE BOARD (FD92)		107	1-677-903-11	FP-231 FLEXIBLE BOARD (FD87)	
104	3-964-010-31	SCREW (M2), 0 PART-NO. P2 MAIN		108	3-066-806-01	SHEET, LIGHT INTERCEPTION (FD92)	
105	3-066-780-01	BRACKET, FC		109	3-062-223-01	SHEET, BLIND (FD87)	
106	not supplied	FC-85 BOARD, COMPLETE (SERVICE) (FD87)		CN201	1-794-962-11	CONNECTOR, SQUARE TYPE (USB 5P) (FD92)	

3-1-4. CABINET (REAR) SECTION



Ref. No.	Part No.	Description	Remark	Ref. No.	Part No.	Description	Remark
151	X-3951-433-1	CASE ASSY, PK SHIELD		BZ901	1-529-739-11	BUZZER, PIEZOELECTRIC (FD87)	
152	1-677-897-11	FP-165 FLEXIBLE BOARD		LCD901	not supplied	INDICATOR MODULE, LIQUID CRYSTAL (TYPE SA)	
153	3-948-339-61	TAPPING		LCD901	not supplied	ACX307AKC-1 (TYPE ST)	
154	not supplied	PK-54 BOARD, COMPLETE (TYPE SA) (FD87)		ΔND801	not supplied	TUBE, FLUORESCENT, COLD CATHODE (TYPE ST) (FD92)	
154	not supplied	PK-54 BOARD, COMPLETE (TYPE ST) (FD87)		ΔND801	not supplied	TUBE, FLUORESCENT, COLD CATHODE (TYPE SA) (FD87)	
154	not supplied	PK-54 BOARD, COMPLETE (TYPE SA) (FD92)		ΔND801	not supplied	TUBE, FLUORESCENT, COLD CATHODE (TYPE SA) (FD92)	
154	not supplied	PK-54 BOARD, COMPLETE (TYPE ST) (FD92)		ΔND801	not supplied	TUBE, FLUORESCENT, COLD CATHODE (TYPE ST) (FD87)	
155	3-066-763-01	RETAINER (L, BL) (FD87)		ΔND801	not supplied	TUBE, FLUORESCENT, COLD CATHODE (TYPE SA) (FD92)	
155	3-066-800-01	RETAINER, BACK LIGHT (FD92)		ΔND801	not supplied	TUBE, FLUORESCENT, COLD CATHODE (TYPE ST) (FD87)	
156	3-052-592-01	WINDOW, LCD		SP901	1-505-862-61	SPEAKER (2.0cm) (FD92)	
* 157	3-056-012-01	RETAINER (190), WINDOW					
158	3-066-764-01	SHEET (BUZZER), ADHESIVE (FD87)					

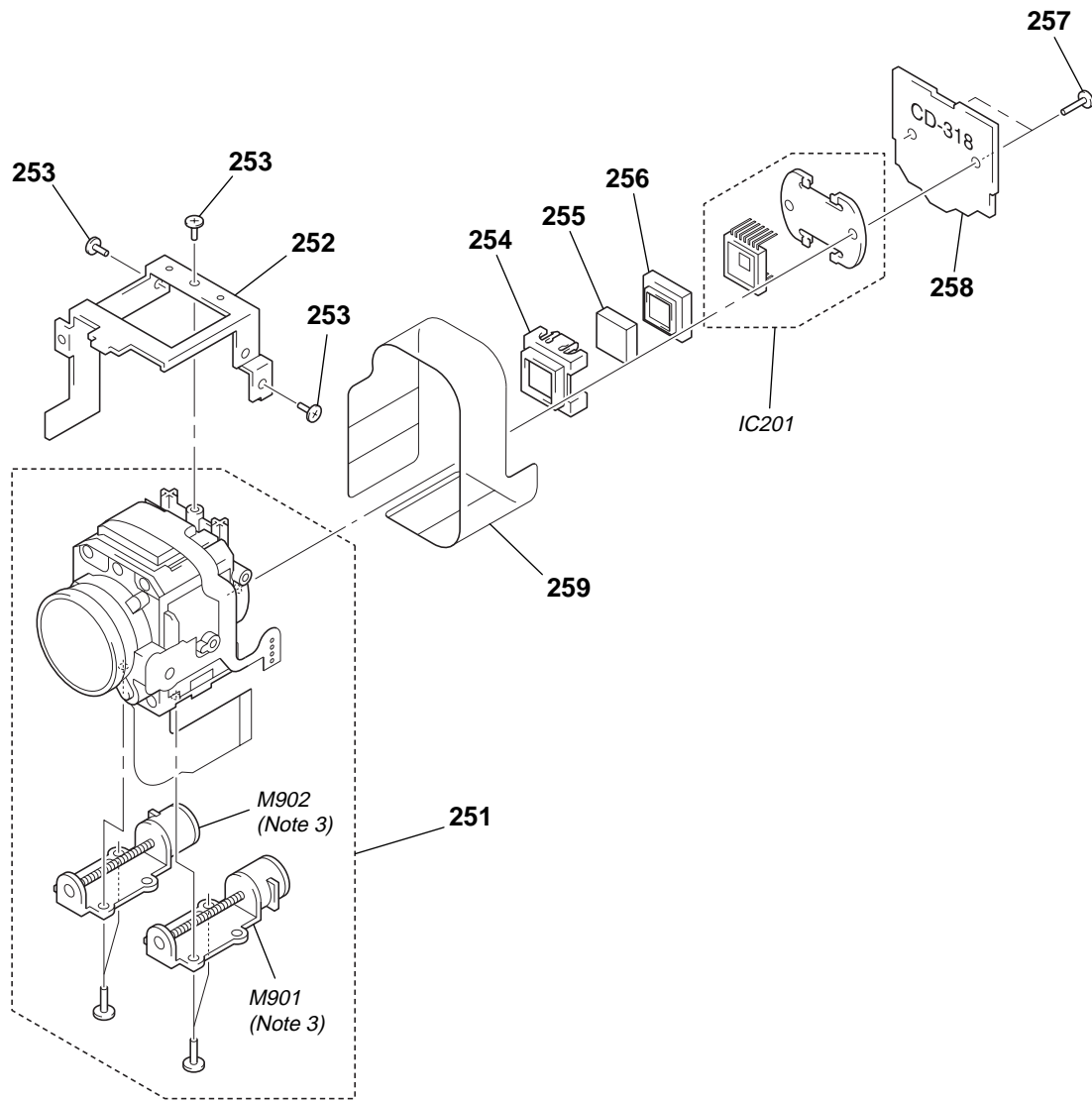
3-1-5. CABINET (REAR) ASSEMBLY



(Note 2) The eject mechanism portion is a mechanical unit which has completely been adjusted in the factory. So never disassemble the eject mechanism portion.

Ref. No.	Part No.	Description	Remark	Ref. No.	Part No.	Description	Remark
201	X-3951-434-1	CABINET (REAR) ASSY (FD87)		210	3-948-339-61	TAPPING	
201	X-3951-482-1	CABINET (REAR) ASSY (FD92)		211	3-058-770-01	SHEET METAL (R), STRAP	
202	3-066-770-01	CABINET, SIDE		212	3-058-784-01	RETAINER, LOCK BUTTON	
203	3-066-776-01	KNOB, FUNCTION (FD87)		213	3-066-753-01	KNOB, LOCK (FD87)	
203	3-066-776-11	KNOB, FUNCTION (FD92)		213	3-066-753-11	KNOB, LOCK (FD92)	
204	3-058-771-11	KNOB, POWER (FD87)		214	3-066-788-01	KNOB, EJECT (FD87)	
204	3-058-771-21	KNOB, POWER (FD92)		214	3-066-788-11	KNOB, EJECT (FD92)	
205	3-066-777-01	SPRING, COMPRESSION		215	3-058-785-01	SPRING, LOCK BUTTON	
206	3-053-141-01	SPRING, POWER		216	3-066-802-01	COVER, USB JACK (FD92)	
207	3-355-424-21	SCREW, TAPPING		217	3-066-766-01	LID (L), CPC (FD87)	
208	3-066-794-01	LID, MS (FD92)		217	3-066-805-01	LID, CPC (FD92)	
209	X-3951-485-1	MS HINGE ASSY (SERVICE) (FD92)					

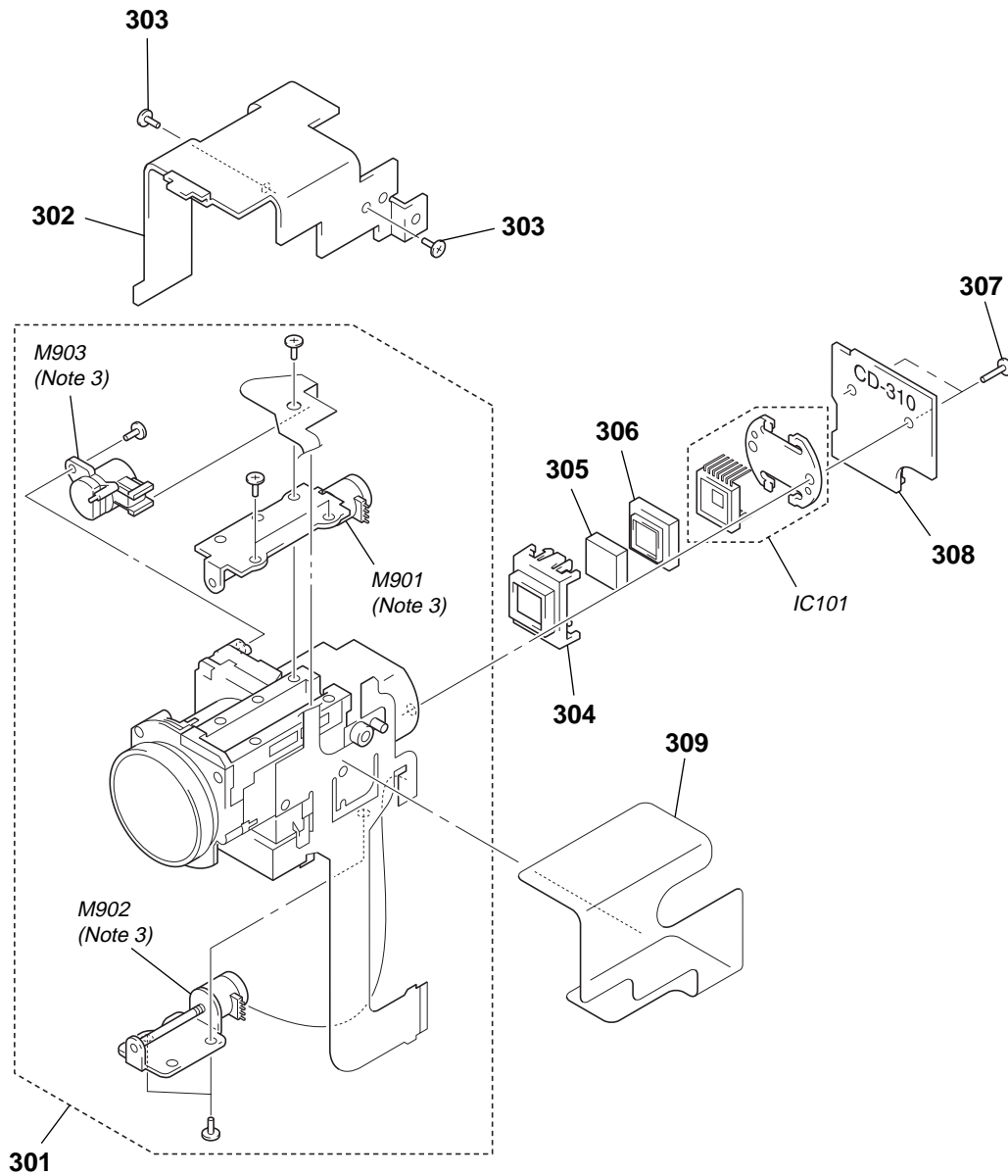
3-1-6. LENS BLOCK SECTION (FD87)



(Note 3) Flexible board of video lens is not supplied.
Please be careful not to break the flexible board when you change the motor unit.

Ref. No.	Part No.	Description	Remark	Ref. No.	Part No.	Description	Remark
251	not supplied	LENS, ZOOM (VCL-6103WA)		257	3-947-268-11	TITE (2), +B TAPPING (P)	
252	3-066-769-01	FRAME (L), LENS		258	not supplied	CD-318 BOARD, COMPLETE	
253	3-914-366-01	SCREW (DIA. 1.7X4), PRECISION		* 259	3-061-627-01	SHEET (L), LENS	
254	not supplied	ADAPTOR (CL), CCD FITTING		IC201	not supplied	CCD BLOCK ASSY (CCD IMAGER)	
255	not supplied	FILTER BLOCK, OPTICAL		M901	3-709-574-01	MOTOR UNIT, ZOOM (Note 3)	
256	not supplied	RUBBER (CL), SEAL		M902	3-709-573-01	MOTOR UNIT, FOCUS (Note 3)	

3-1-7. LENS BLOCK SECTION (FD92)



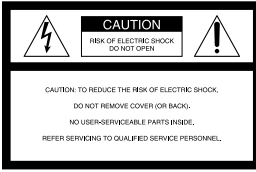
(Note 3) Flexible board of video lens is not supplied.
Please be careful not to break the flexible board when you change the motor unit.

Ref. No.	Part No.	Description	Remark	Ref. No.	Part No.	Description	Remark
301	not supplied	LENS, VIDEO (61JC)		308	not supplied	CD-310 BOARD, COMPLETE	
302	3-066-798-01	FRAME, LENS		* 309	3-060-212-01	SHEET, LENS	
303	3-948-339-61	TAPPING		IC101	not supplied	CCD BLOCK ASSY (CCD IMAGER)	
304	not supplied	ADAPTOR (FH), CCD FITTING		M901	3-709-498-01	MOTOR, ZOOM STEPPING (Note 3)	
305	not supplied	FILTER BLOCK, OPTICAL		M902	3-709-497-01	MOTOR, FOCUS STEPPING (Note 3)	
306	not supplied	RUBBER (FM), SHIELD		M903	3-709-499-01	METER, ND (Note 3)	
307	3-318-203-11	SCREW (B1.7X6), TAPPING					

WARNING

To prevent fire or shock hazard, do not expose the unit to rain or moisture.

For the Customers in the U.S.A.



This symbol is intended to alert the user to the presence of uninsulated "dangerous voltage" within the product's enclosure that may be of sufficient magnitude to constitute a risk of electric shock to persons.



This symbol is intended to alert the user to the presence of important operating and maintenance (servicing) instructions in the literature accompanying the appliance.

If you have any questions about this product, you may call:
Sony Customer Information Center
1-800-222-SONY (7669)
The number below is for the FCC related matters only.

Regulatory Information

Declaration of Conformity

Trade Name: SONY
Model No.: MVC-FD92
Responsible Party: Sony Electronics Inc.
Address: 1 Sony Drive, Park Ridge, NJ, 07656 USA
Telephone No.: 201-930-6972

This device complies with Part 15 of the FCC Rules. Operation is subject to the following two conditions: (1) This device may not cause harmful interference, and (2) this device must accept any interference received, including interference that may cause undesired operation.

CAUTION

You are cautioned that any changes or modifications not expressly approved in this manual could void your authority to operate this equipment.

Note:

This equipment has been tested and found to comply with the limits for a Class B digital device, pursuant to Part 15 of the FCC Rules. These limits are designed to provide reasonable protection against harmful interference in a residential installation. This equipment generates, uses, and can radiate radio frequency energy and, if not installed and used in accordance with the instructions, may cause harmful interference to radio communications. However, there is no guarantee that interference will not occur in a particular installation. If this equipment does cause harmful interference to radio or television reception, which can be determined by turning the equipment off and on, the user is encouraged to try to correct the interference by one or more of the following measures:

- Reorient or relocate the receiving antenna.
- Increase the separation between the equipment and receiver.
- Connect the equipment into an outlet on a circuit different from that to which the receiver is connected.
- Consult the dealer or an experienced radio/TV technician for help.

The supplied interface cable must be used with the equipment in order to comply with the limits for a digital device pursuant to Subpart B of Part 15 of FCC Rules.

For the Customers in the U.S.A. and Canada

DISPOSAL OF LITHIUM ION BATTERY. LITHIUM ION BATTERY. DISPOSE OF PROPERLY.

You can return your unwanted lithium ion batteries to your nearest Sony Service Center or Factory Service Center.

Note:

In some areas the disposal of lithium ion batteries in household or business trash may be prohibited.

For the Sony Service Center nearest you call 1-800-222-SONY (United States only)
For the Sony Factory Service Center nearest you call 416-499-SONY (Canada only)

Caution:

Do not handle damaged or leaking lithium ion battery.

For the Customers in Canada

CAUTION

TO PREVENT ELECTRIC SHOCK, DO NOT USE THIS POLARIZED AC PLUG WITH AN EXTENSION CORD, RECEPTACLE OR OTHER OUTLET UNLESS THE BLADES CAN BE FULLY INSERTED TO PREVENT BLADE EXPOSURE.

NOTICE FOR THE CUSTOMERS IN THE UNITED KINGDOM

A moulded plug complying with BS 1363 is fitted to this equipment for your safety and convenience.

Should the fuse in the plug supplied need to be replaced, a 5 AMP fuse approved by ASTA or BSI to BS 1362, (i.e. marked with ⚡ or ⚡ mark) must be used.

If the plug supplied with this equipment has a detachable fuse cover, be sure to attach the fuse cover after you change the fuse. Never use the plug without the fuse cover. If you should lose the fuse cover, please contact your nearest Sony service station.

For the Customers in Germany

Directive: EMC Directive 89/336/EEC/92/31/EEC

This equipment complies with the EMC regulations when used under the following circumstances:

- Residential area
 - Business district
 - Light-industry district
- (This equipment complies with the EMC standard regulations EN55022 Class B.)

Attention

The electromagnetic fields at the specific frequencies may influence the picture and sound of this camera.

Be sure to read the following before using your camera

Operating instructions

Before operating the unit, please read this manual thoroughly, and retain it for future reference.

As you read through this manual, buttons and settings on the camera are shown in capital letters.

e.g. Press DISPLAY.

Trial recording

Before you record one-time events, you may want to make a trial recording to make sure that the camera is working correctly.

No compensation for contents of the recording

Contents of the recording cannot be compensated for if recording or playback is not made due to a malfunction of your camera or recording medium, etc.

Notes on image data compatibility of the "Memory Stick"

• This camera conforms with the Design rule for Camera File system universal standard established by the JEITA (Japan Electronics and Information Technology Industries Association). You cannot play back on your camera still images recorded on other equipment (DCR-TRV890E/TRV900/TRV900E, DSC-D700, DSC-D770) that does not conform with this universal standard. (These models are not sold in some areas.)

• Playback of images recorded with your camera on other equipment and playback of images recorded or edited with other equipment on your camera are not guaranteed.

Precaution on copyright

Television programs, films, video tapes, and other materials may be copyrighted. Unauthorized recording of such materials may be contrary to the provision of the copyright laws.

Do not shake or strike the camera

In addition to malfunctions and inability to record images, this may render the floppy disks or "Memory Stick" unusable or image data breakdown, damage or loss may occur.

LCD screen, finder (only models with a finder) and lens

• The LCD screen and the finder are manufactured using extremely high-precision technology so over 99.99% of the pixels are operational for effective use. However, there may be some tiny black points and/or bright points (white, red, blue or green in color) that constantly appear on the LCD screen and the finder. These points are normal in the manufacturing process and do not affect the recording in any way.

• Be careful when placing the camera near a window or outdoors. Exposing the LCD screen, the finder or the lens to direct sunlight for long periods may cause malfunctions.

Do not get the camera wet

When taking pictures outdoors in the rain or under similar conditions, be careful not to get the camera wet. If moisture condensation occurs, refer to page 72 and follow the instructions on how to remove it before using the camera.

Back up recommendation

To avoid the potential risk of data loss, always copy (back up) data to a disk.

When the camera is used for long periods

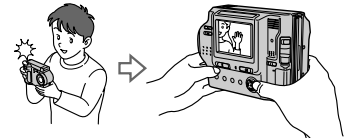
Note that the camera body may become hot.

Introduction

Deletes undesired images right away, checking the image after shooting

The digital still camera is able to play back the image and delete it right away.

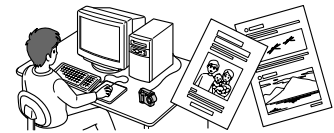
- Recording still images: page 18
- Playing back still images: page 24
- Deleting images (DELETE): page 64



Captures images with your computer

You can easily copy images onto your computer using a floppy disk or a "Memory Stick," and view and modify images on your computer using application software.

Viewing images using a computer: page 27



Records a moving picture with audio

The digital still camera can record a moving picture with audio for maximum 60 seconds.

Recording moving images: page 23

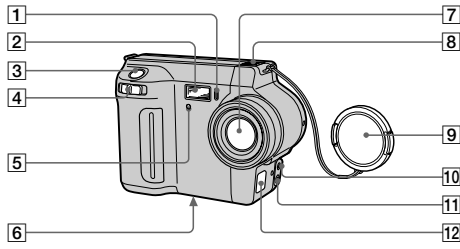


Selects the recording mode from various types of recordings according to your situation

- Creating Clip Motion Files: page 47
- Recording still images for e-mail (E-MAIL): page 49
- Adding audio files to still images (VOICE): page 50
- Recording text documents (TEXT): page 51
- Recording still images as uncompressed files (TIFF): page 52

Identifying the parts

See the pages in parentheses for details of operation.



- | | |
|--|---|
| 1 Self-timer lamp (22) | 7 Lens |
| 2 Flash (22) | 8 Built-in microphone
Do not touch while recording. |
| 3 Shutter button (18, 23) | 9 Lens cap (supplied) |
| 4 Zoom lever (20) | 10 ACC (Accessory) jack |
| 5 Photocell window for flash
Do not block while recording. | 11 A/V OUT (MONO) jack (62)
Audio output is monaural. |
| 6 Tripod receptacle (bottom surface)
Use a tripod with a screw length of less than 6.5 mm (7/32 inch). You cannot firmly secure the camera to tripods having longer screws, and may damage the camera. | 12 DC IN cover/DC IN jack (10, 13) |

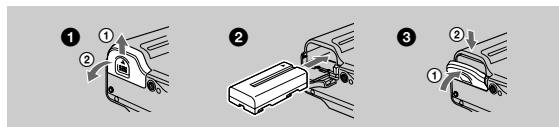
Getting started

7

Preparing the power supply

Installing the battery pack

Your camera operates only with the NP-F330 (supplied)/F550 (not supplied) "InfoLITHIUM" battery pack* (L series). See page 75 for more information about "InfoLITHIUM" battery pack.



- 1 Open the battery cover.**
Slide the battery cover in the direction of the arrow.
- 2 Install the battery pack.**
Insert the battery pack with the ▲ mark facing toward the battery compartment as illustrated.
- 3 Close the battery cover.**

To remove the battery pack


Open the battery cover. Slide the battery eject lever rightward, and remove the battery pack.

Be careful not to drop the battery pack when removing it.



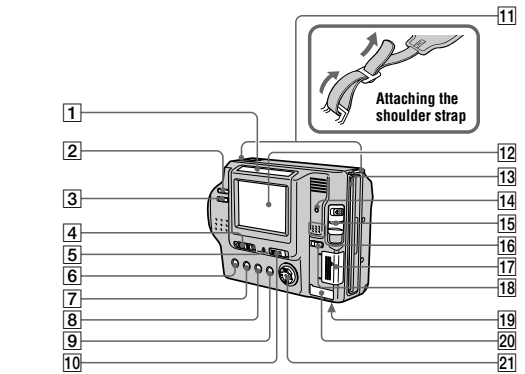
Battery eject lever

* What is "InfoLITHIUM"?

"InfoLITHIUM" is a lithium ion battery pack which can exchange information such as battery consumption with compatible video equipment. "InfoLITHIUM" L series battery packs have the  mark. "InfoLITHIUM" is a trademark of Sony Corporation.

Getting started

9

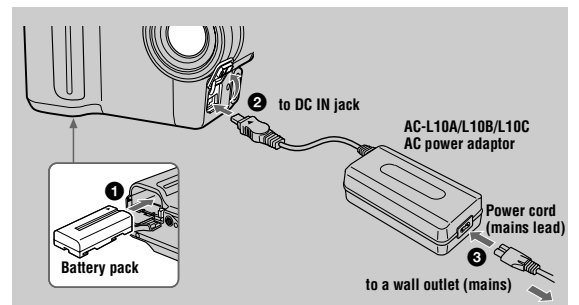


- | | |
|---|--|
| 1 Photocell window for LCD screen
The LCD screen becomes brighter when exposed to sunlight. | 11 Hooks for strap |
| 2 VOLUME +/- buttons (26) | 12 LCD screen |
| 3 LCD BACKLIGHT switch (20) | 13 Floppy disk slot (16) |
| 4 PLAY/STILL/MOVIE selector (38) | 14 Access lamp (18, 19) |
| 5 POWER ON/OFF (CHG) (Charge) lamp (10) | 15 DISK EJECT lever (16) |
| 6 1/4 (Flash) button/ 1/4 (Flash) lamp (22) | 16 Speaker |
| 7 FOCUS button (53) | 17 "Memory Stick" cover/ "Memory Stick" slot (17) |
| 8 PROGRAM AE button (54) | 18 MS /FD ("Memory Stick"/floppy disk) selector |
| 9 DISPLAY button (21) | 19 Battery cover (9) |
| 10 POWER switch (14) | 20 USB cover/USB jack (29) |
| | 21 Control button (38) |

8

Charging the battery pack

When the camera is turned on, you cannot charge the battery pack. Be sure to turn off the power of the camera.



- 1 Insert the battery pack into your camera.**
- 2 Open the DC IN cover and connect the AC power adaptor to the DC IN jack of your camera with the ▲ mark facing up.**
- 3 Connect the power cord (mains lead) to the AC power adaptor and then to a wall outlet (mains).**
The POWER ON/OFF (CHG) lamp (orange) below the LCD screen lights up when charging begins. When the POWER ON/OFF (CHG) lamp goes off, full charge is completed.

After charging the battery pack

Disconnect the AC power adaptor from the DC IN jack on your camera.

Battery remaining indicator

The LCD screen on the camera shows the remaining time for which you can still record or play back images. This indication may not be entirely accurate depending on the conditions of use and the operating environment. Charging at a room temperature of 10°C to 30°C (50°F to 86°F) is recommended.

10

NP-F330 (supplied)/F550 (not supplied) battery pack

When you record images in an extremely cold location or using the LCD screen, the operating time becomes short. When using the camera in an extremely cold location, place the battery pack in your pocket or other place to keep it warm, then insert the battery pack into the camera just before recording. When using a pocket heater, take care not to let the heater directly contact the battery.

Auto power-off function

If you do not operate the camera for about three minutes during recording, the camera turns off automatically to prevent wearing down the battery pack. To use the camera again, slide the POWER switch to the right to turn on the camera again.

Note on the POWER ON/OFF (CHG) lamp during charging

The POWER ON/OFF (CHG) lamp may flash:

- When a malfunction occurs in the battery pack.
- The POWER ON/OFF (CHG) lamp does not light up:
- When the battery pack is not installed properly.

Getting started

Charging time

Battery pack	Full charge (min.)
NP-F330 (supplied)	Approx. 150
NP-F550	Approx. 210

Approximate time to charge a completely discharged battery pack at a temperature of 25°C (77°F).

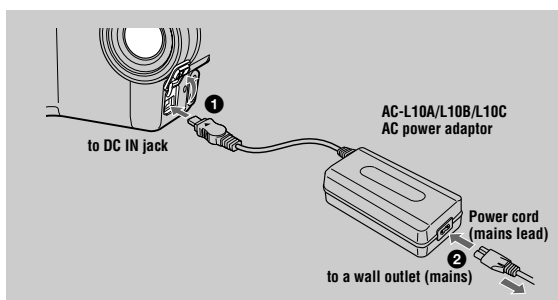
Battery life and number of images that can be recorded/played back

STILL mode recording/playback when using floppy disks

	NP-F330 (supplied)		NP-F550	
	Battery life (min.)	Number of images	Battery life (min.)	Number of images
Continuous recording*	Approx. 70	Approx. 750	Approx. 150	Approx. 1600
Continuous playback**	Approx. 80	Approx. 2200	Approx. 170	Approx. 4800

11

Using the AC power adaptor



Getting started

- 1 Open the DC IN cover and connect the AC power adaptor to the DC IN jack of your camera with the ▲ mark facing up.
- 2 Connect the power cord (mains lead) to the AC power adaptor and then to a wall outlet (mains).

Using a car battery

Use Sony DC adaptor/charger.

Using your camera abroad

For details, see page 74.

When using the AC power adaptor

Be sure to use it near a wall outlet. If a malfunction occurs, disconnect the plug from the wall outlet.

13

STILL mode recording/playback when using "Memory Stick"s

	NP-F330 (supplied)		NP-F550	
	Battery life (min.)	Number of images	Battery life (min.)	Number of images
Continuous recording*	Approx. 80	Approx. 1600	Approx. 170	Approx. 3400
Continuous playback**	Approx. 100	Approx. 3000	Approx. 230	Approx. 6900

Approximate battery life and number of images that can be recorded/played back at a temperature of 25°C (77°F) with a fully charged battery pack, 640x480 image size and in NORMAL recording mode.

* Recording at about 5-second intervals when using a floppy disk, or at about 3-second intervals when using a "Memory Stick"

** Playing back single images continuously at about 2-second intervals

MOVIE mode recording when using floppy disks

	NP-F330 (supplied)	NP-F550
	Battery life (min.)	Battery life (min.)
Continuous recording	Approx. 85	Approx. 180

MOVIE mode recording when using "Memory Stick"s

	NP-F330 (supplied)	NP-F550
	Battery life (min.)	Battery life (min.)
Continuous recording	Approx. 90	Approx. 190

Approximate time that can be recorded at a temperature of 25°C (77°F) and 160x112 image size with a fully charged battery pack.

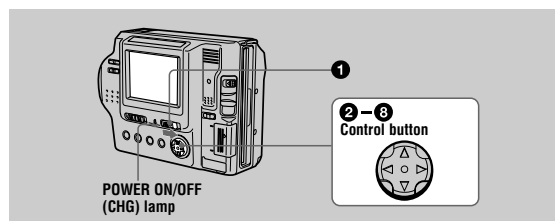
Notes

- The battery life and number of images will be decreased when using at low temperature, using the flash, turning the power on/off frequently, or using the zoom.
- The capacity of the floppy disk or "Memory Stick" is limited. The above figures are as a guide when you continuously record/play back by replacing the floppy disk or "Memory Stick."
- If sufficient battery remaining time is indicated but the power runs out soon, fully charge the battery so that the correct battery remaining time appears.
- Do not short the DC plug of the AC power adaptor with a metallic object, as this may cause a malfunction.

12

Setting the date and time

When you first use your camera, set the date and time. If these are not set, the CLOCK SET screen appears whenever you turn on your camera.

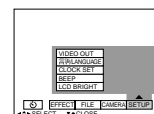


- 1 Slide the POWER switch to the right to turn on the power. The POWER ON/OFF (CHG) lamp lights up.

- 2 Press ▲ on the control button. The menu bar appears on the LCD screen.



- 3 Select [SETUP] with ► on the control button, then press the center ●.



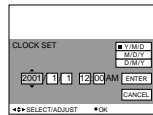
- 4 Select [CLOCK SET] with ▲/▼ on the control button, then press the center ●.



14

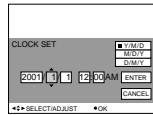
- 5 Select the desired date display format with ▲/▼ on the control button, then press the center ●.

Select from [Y/M/D] (year/month/day), [M/D/Y] (month/day/year), or [D/M/Y] (day/month/year).



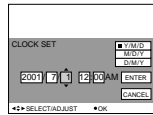
- 6 Select the year, month, day, hour or minute item you want to set with ◀/▶ on the control button.

The item to be set is indicated with ▲/▼.



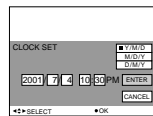
- 7 Set the numeric value with ▲/▼ on the control button, then press the center ● to enter it.

After entering the number, ▲/▼ moves to the next item. If you selected [D/M/Y] in step 5, set the time on a 24-hour cycle.



- 8 Select [ENTER] with ▶ on the control button, then press the center ● at the desired moment to begin clock movement.

The date and time are entered.



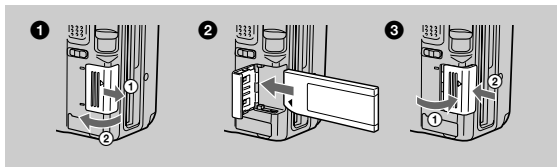
To cancel the date and time setting

Select [CANCEL] with ▲/▼/◀/▶ on the control button, then press the center ●.

Getting started

15

Inserting a "Memory Stick"



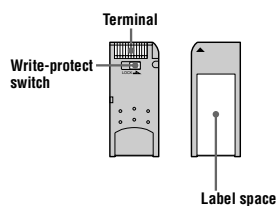
- Open the "Memory Stick" cover.**
Slide the cover in the direction of the arrow.
- Insert the "Memory Stick."**
Insert the "Memory Stick" with the ▶ mark facing toward the "Memory Stick" slot as illustrated until it clicks.
- Close the "Memory Stick" cover.**

Removing the "Memory Stick"

Open the "Memory Stick" cover, then push the "Memory Stick" once lightly.

Notes

- If you do not insert the "Memory Stick" firmly until it clicks, a message such as "MEMORY STICK ERROR" will be displayed.
- Never remove the "Memory Stick," turn off the power, or change the position of the MS/FD selector while the access lamp is lit up.
- You cannot record or edit images on a "Memory Stick" if the write-protect switch is set to the LOCK position.

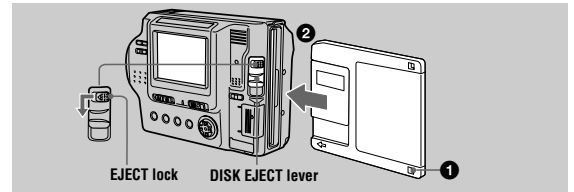


The position or shape of the write-protect switch depends on the type of the "Memory Stick." "Memory Stick" and are trademarks of Sony Corporation.

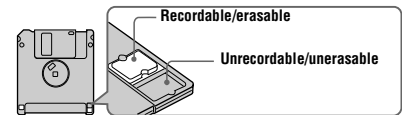
Getting started

17

Inserting a floppy disk



- Check that the write protect tab is set to the recordable position for recording.



- Insert the floppy disk until it clicks.

Usable floppy disks

- Size: 3.5 inch
- Type: 2HD (1.44 MB)
- Format: MS-DOS format (512 bytes × 18 sectors)

Notes

- Do not insert the media other than the floppy disks described above.
- You cannot use the optional MSAC-FD2M/FD2MA Floppy Disk Adaptor for Memory Stick.
- Never remove the floppy disk, turn off the power, or change the position of the MS/FD selector while the access lamp is lit up.

Removing the floppy disk

While sliding the EJECT lock to the left, slide down the DISK EJECT lever.

16

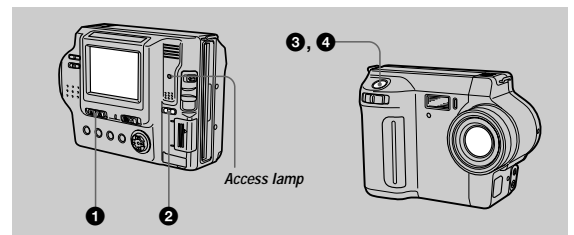
Basic operations

▶ Recording

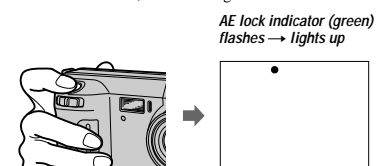
Recording still images

Still images are recorded in JPEG format.

To record still images, slide the POWER switch to the right to turn on the power and insert a floppy disk or a "Memory Stick."



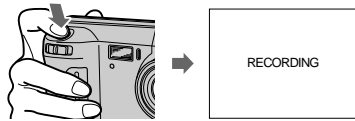
- Set the PLAY/STILL/MOVIE selector to STILL.
- Select the recording media using the MS/FD selector.
MS: When recording on the "Memory Stick."
FD: When recording on the floppy disk.
- Press and hold the shutter button halfway down.
The beeps sound and the image is frozen. However, **the image has not been recorded yet.** While the AE lock indicator ● is flashing, the camera automatically adjusts the exposure and focus of the captured image. When the camera finishes the automatic adjustments, **the AE lock indicator ● stops flashing, then lights up, and the camera is ready for recording.** If you release the shutter button, the recording will be canceled.



18

4 Press the shutter button fully down.

The shutter clicks. "RECORDING" appears on the LCD screen, and the image will be recorded on the floppy disk or the "Memory Stick." When "RECORDING" disappears from the LCD screen, you can start the next recording.



▶ Recording

For the number of images you can record on a floppy disk or a "Memory Stick"

See page 46.

Notes

- When recording bright subjects, the color of the LCD screen may change after the AE is locked. However, this will not affect the recorded image.
- While the image is being recorded on a floppy disk or a "Memory Stick," the access lamp lights. When this lamp is lit, do not shake or strike the camera. Also, do not turn the power off, not change the position of the MS/FD selector, or not remove the battery pack/floppy disk/"Memory Stick." Otherwise, an image data breakdown may occur and the floppy disk or the "Memory Stick" may become unusable.
- When you press the shutter button fully down at once, the camera starts recording after the automatic adjustment is complete. However, the recording cannot be carried out while the lamp (page 8) is flashing. (During this time, the camera is charging the flash.)

Checking the last recorded image (Quick Review)

You can check the last recorded image by clearing the menu bar from the screen (page 39) and pressing on the control button.

To return to the normal recording mode: press the shutter button lightly, or select [RETURN] with on the control button and then press the center .

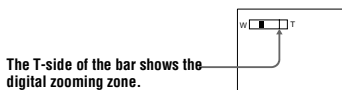
To delete the image: first select [DELETE] on the Quick Review screen with on the control button and press the center , and then select [OK] with on the control button and press the center .

19

Digital zoom function

This camera has a digital zoom function.

Digital zoom enlarges the image by digital processing, and it starts to function when the zoom exceeds 8x.



▶ Recording

Using digital zoom

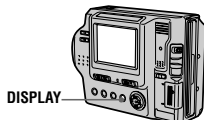
- The maximum zoom magnification is 16x.
- Digital zooming deteriorates the picture quality. When digital zoom is not necessary, set [DIGITAL ZOOM] to [OFF] in the menu settings (page 43).

Note

Digital zoom does not work for moving images.

The indicators on the LCD screen during recording

Press DISPLAY to turn on/off the indicators on the LCD screen. See page 87 for a detailed description of the indicators.



Notes

- You cannot turn off the (self-timer) indicator and some of the indicators used in advanced operations.
- The indicators on the LCD screen are not recorded.

21

Adjusting the brightness of the LCD screen

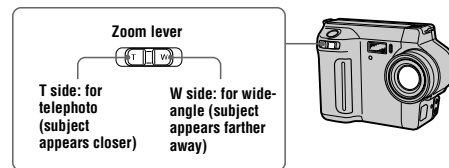


Adjust the brightness with the [LCD BRIGHT] item in the menu settings (page 45). This adjustment does not affect the brightness of the images recorded on the floppy disk or the "Memory Stick."

To turn off the LCD backlight

Set the LCD BACKLIGHT switch to OFF to save the battery.

Using the zoom feature



If you cannot get a sharp focus on a close subject

Slide the zoom lever to the W side and move closer to the subject until the focus is sharp (page 53).

Minimum focal distance to the subject

W side: About 25 cm (9 7/8 inches)

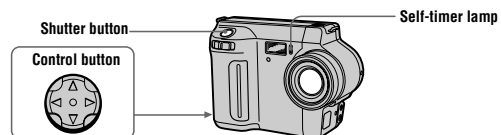
T side: About 90 cm (35 1/2 inches)

To record even closer subjects, see page 53.

20

Using the self-timer

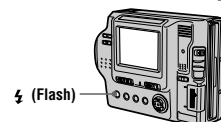
When you use the self-timer function, the subject is recorded 10 seconds after you press the shutter button.



Select on the LCD screen with /// on the control button, then press the center . The (self-timer) indicator appears on the LCD screen, and the subject is recorded 10 seconds after you press the shutter button. The self-timer lamp flashes after you press the shutter button until the image is recorded.

Recording images with the flash

The initial setting is AUTO (no indication). In this mode, the flash automatically strobes when the surroundings become dark. To change the flash mode, press (Flash) repeatedly so that the flash mode indicator appears on the LCD screen.



Each time you press the button, the indicator changes as follows.

(No indication) → → → → (No indication)

Auto red-eye reduction: The flash strobes before recording to reduce the red-eye phenomenon.

Forced flash: The flash strobes regardless of the surrounding brightness.

No flash: The flash does not strobe.

You can change the amount of the flash light with [FLASH LEVEL] in the menu settings (page 44).

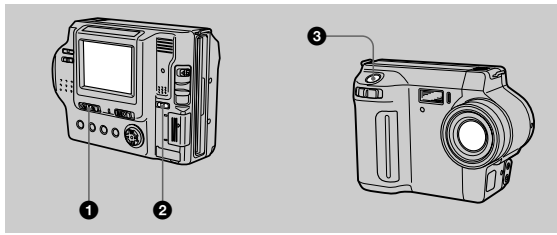
Notes

- The recommended shooting distance is 0.3 to 2.5 m (1 to 8 1/3 feet).
- Attaching a conversion lens (not supplied) may block the light from the flash and the recorded image may be eclipsed.
- You cannot use the built-in flash and an external strobe at the same time.
- Auto red-eye reduction may not produce the desired red-eye reduction effects depending on individual differences, the distance to the subject, if the subject does not see the pre-strobe, or other conditions.
- The flash effect is not obtained easily when you use forced flash in a bright location.

22

Recording moving images

Moving images with audio are recorded in MPEG format. To record moving images, slide the POWER switch to the right to turn on the power and insert a floppy disk or a "Memory Stick."



- 1 Set the PLAY/STILL/MOVIE selector to MOVIE.**
- 2 Select the recording media using the MS/FD selector.**
MS: When recording on the "Memory Stick."
FD: When recording on the floppy disk.
- 3 Press the shutter button fully down.**
"REC" appears on the LCD screen, and the image and sound are recorded on the floppy disk or "Memory Stick."
If you press the shutter button momentarily
The image and sound are recorded for 5 seconds. The recording time can be set to 10 or 15 seconds with [REC TIME SET] in the menu settings (page 43).
If you hold the shutter button down
The image and sound are recorded while the shutter button is held down for up to 60 seconds. However, when [IMAGE SIZE] in the menu settings is set to [320 240], the maximum recording time is 15 seconds (page 46).

Adjusting the brightness of the LCD screen, zooming or using the self-timer

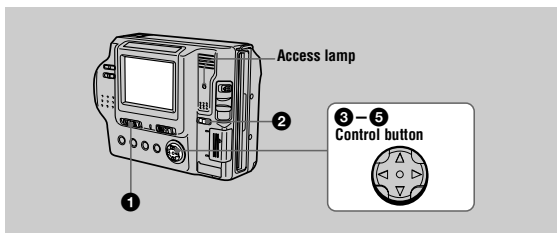
See pages 20 to 22.

LCD screen indicators during recording

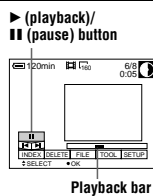
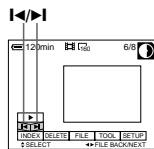
Press DISPLAY to turn on/off the indicators on the LCD screen. These indicators are not recorded. See page 87 for a detailed description of the indicators.

23

Playing back moving images



- 1 Set the PLAY/STILL/MOVIE selector to PLAY.**
The last recorded image (still or moving) appears on the LCD screen.
- 2 Select the playback media using the MS/FD selector.**
MS: When playing back images in the "Memory Stick."
FD: When playing back images in the floppy disk.
- 3 Press ▲ on the control button to display the menu bar on the LCD screen.**
- 4 Select the desired moving image with the control button.**
Moving images are displayed one size smaller than still images.
Press ▲▼◀▶ on the control button to select ◀▶ on the LCD screen, then press ◀▶.
◀▶: To display the preceding image.
▶▶: To display the next image.
- 5 Select the ▶ (playback) button on the LCD screen with ▲▼◀▶ on the control button, then press the center ●.**
The moving image and sound are played back. During playback, ▶ (playback) changes to || (pause).

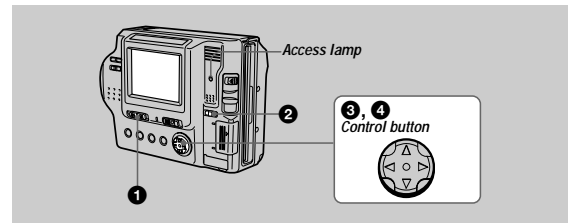


Playback bar

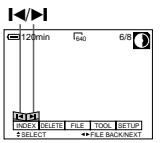
25

▶ Playback

Playing back still images



- 1 Set the PLAY/STILL/MOVIE selector to PLAY.**
The last recorded image (still or moving) appears on the LCD screen.
- 2 Select the playback media using the MS/FD selector.**
MS: When playing back images in the "Memory Stick."
FD: When playing back images in the floppy disk.
- 3 Press ▲ on the control button to display the menu bar on the LCD screen.**
- 4 Select the desired still image with the control button.**
Press ▲▼◀▶ on the control button to select ◀▶ on the LCD screen, then press ◀▶.
◀▶: To display the preceding image.
▶▶: To display the next image.



When the menu bar is not displayed

You can directly select and play back the image with ◀▶ on the control button.

Notes

- You might not be able to correctly play back images recorded with this camera on other equipment.
- You may not be able to play back images whose image sizes are larger than the maximum image size that can be used with this camera for recording.

LCD screen indicators during still image playback

Press DISPLAY to turn on/off the indicators on the LCD screen. See page 88 for a detailed description of the indicators.

24

To pause playback

Select || (pause) on the LCD screen with ▲▼◀▶ on the control button, then press the center ●.

When the menu bar is not displayed

You can directly select the image with ◀▶ on the control button, and play back the image and sound by pressing the center ●. When you press the center ● during playback, playback is paused.

Adjusting the volume

Press VOLUME +/- to adjust the volume.

LCD screen indicators during moving image playback

Press DISPLAY to turn on/off the indicators on the LCD screen. See page 88 for a detailed description of the indicators.

▶ Playback

26

Viewing images using a computer

You can view or modify data recorded with your camera using application software on a computer, or attach it to an E-mail.

Viewing images using a floppy disk drive

For Windows 98 users

- 1 **Start up your computer and insert the floppy disk into the disk drive of your computer.**
- 2 **Open [My Computer] and double-click [3 1/2 Floppy (A:)].**
- 3 **Double-click the desired data file.**
Copying a file to the hard disk of your computer before viewing it is recommended when playing back an audio file or a moving image. If you play back the file directly from the floppy disk, the image and sound may break off.

▶ Playback

Viewing images on a computer connected using the USB cable

This section describes the method for viewing images on a computer using the supplied USB cable.

What is the USB connection? : You can connect the camera to your computer using the USB cable, to view or modify the images stored in a floppy disk or "Memory Stick."

To make the USB connection: You have to install the USB driver in your computer beforehand.

Be sure to also see the operation manuals for your computer and application software.

Notes

- Data recorded with your camera is stored in the following formats. Make sure that applications that support these file formats are installed on your computer.
 - Still images (other than TEXT mode, uncompressed mode and Clip Motion): JPEG format
 - Moving images/audio: MPEG format
 - Uncompressed mode still images: TIFF format
 - TEXT mode/Clip Motion: GIF format
- ActiveMovie Player (DirectShow) must be installed (to play back moving pictures).
- QuickTime 3.2 or newer must be installed (to play back moving pictures).

27

Installing the USB driver

Do not connect your camera to your computer before installing the USB driver.

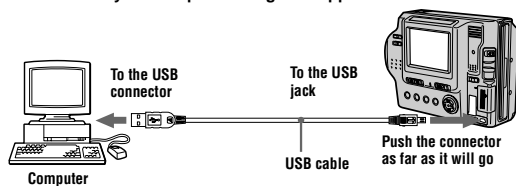
First, install the USB driver to the computer. The USB driver is contained together with application software for viewing images on a CD-ROM which is supplied with your camera.

If the drive is not recognized properly, see "Troubleshooting" on page 77.

For Windows 98, Windows 98SE, Windows Me and Windows 2000 Professional users

- 1 **Make sure that the camera is not connected to your computer.**
Do not connect the USB cable in this step.
- 2 **Turn on your computer and allow Windows to load.**
- 3 **Insert the supplied CD-ROM in the CD-ROM drive of your computer.**
The application software screen appears.
- 4 **Click "USB Driver Installation for Windows 98/98SE, Windows Me, Windows 2000".**
USB driver installation starts.
- 5 **Follow the on-screen messages to install the USB driver.**
If the message appears after the installation to verify that you restart the computer, restart the computer.
- 6 **Connect the USB jack (mini-B) on your camera with the USB connector on your computer using the supplied USB cable.**

▶ Playback



- 7 **Insert a floppy disk or a "Memory Stick" into your camera, and set the MS/FD selector to the appropriate position according to the media inserted.**
- 8 **Connect the AC power adaptor and turn on your camera.**
"USB MODE" appears on the LCD screen of your camera and the camera is set to communication standby mode. Your computer recognizes the camera, and the Windows Add Hardware Wizard starts.

29

Recommended computer environment

Recommended Windows environment

OS: Microsoft Windows 98, Windows 98SE, Windows Me, Windows 2000 Professional
The above OS is required to be installed at the factory.

Operation is not assured in an environment upgraded to the operating systems described above.

CPU: MMX Pentium 200 MHz or faster

The USB connector must be provided as standard.

Recommended Macintosh environment

Macintosh computer with the Mac OS 8.5.1/8.6/9.0

The above OS is required to be installed at the factory.

However, note that the update to Mac OS 9.0 should be used for the following models with the Mac OS 8.6 standard installation at the factory:

iMac with a slot loading type CD-ROM drive, iBook, Power Mac G4

The USB connector must be provided as standard.

Notes

- Operations are not guaranteed for either the Windows or Macintosh environment if you connect two or more USB equipment to a single computer at the same time (except for the USB keyboard and mouse which are provided as standard), or when using a hub.
- Depending on the type of USB equipment that is used simultaneously, some equipment may not operate.
- Operations are not guaranteed for all the recommended computer environments mentioned above.
- Windows and ActiveMovie, DirectShow are either registered trademarks or trademarks of Microsoft Corporation in the United States and/or other countries.
- Macintosh and Mac OS, QuickTime are either registered trademarks or trademarks of Apple Computer, Inc.
- All other product names mentioned herein may be the trademarks or registered trademarks of their respective companies. Furthermore, "TM" and "®" are not mentioned in each case in this manual.

28

- 9 **Follow the on-screen messages to recognize the hardware.**

The Add Hardware Wizard starts twice because two different USB drivers are installed. Be sure to allow the installation to complete without interrupting it. If the message appears after the installation to verify that you restart the computer, restart the computer.

For Macintosh users

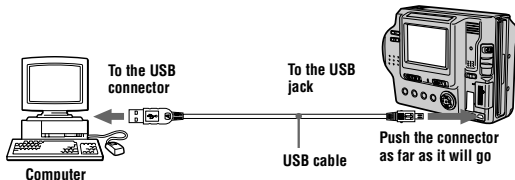
- 1 **Turn on your computer and allow the Mac OS to load.**
- 2 **Insert the supplied CD-ROM in the CD-ROM drive of your computer.**
- 3 **Double-click the CD-ROM drive icon to open the window.**
- 4 **Double-click the icon of the hard disk containing the "System Folder" to open the window.**
- 5 **Move the following two files from the window opened in step 3 to the "System Folder" icon in the window opened in step 4 (drag and drop).**
 - Sony USB Driver
 - Sony USB Shim
- 6 **When "Put these items into the Extensions folder?" appears, click "OK."**
- 7 **Restart your computer and connect the USB cable.**

30

■ Viewing images

For Windows 98, Windows 98SE, Windows Me and Windows 2000 Professional users

- 1 Turn on the power of your computer and allow Windows to load.
- 2 Connect one end of the supplied USB cable to the USB jack (mini-B) on the camera and the other end to the USB connector on your computer.



- 3 Insert a floppy disk or "Memory Stick" into your camera, and set the MS/FD selector to the appropriate position according to the media inserted.
- 4 Connect the AC power adaptor to your camera and then to a wall outlet (mains) and turn on the power of your camera. "USB MODE" appears on the LCD screen of the camera.
- 5 Open "My Computer" on Windows and double-click the newly recognized drive, "Removable Disk" (Example (D:)). The folders inside the floppy disk or "Memory Stick" are displayed. If the drive is not recognized properly, see "Troubleshooting" on page 77.
 - * Drive identifier depends on your computer.

▶ Playback

31

Notes on using your computer

Floppy disk/"Memory Stick"

- Format the floppy disk or "Memory Stick" only using this camera (page 70). You cannot format the floppy disk or "Memory Stick" using a computer via the USB cable.
- Use only a DOS/V 2HD format floppy disk. Other disks will not be recognized by a computer.
- Do not optimize the "Memory Stick" on a Windows machine. This will shorten the "Memory Stick" life.
- Do not compress the data on the floppy disk or "Memory Stick." Compressed files cannot be played back on your camera.

Software

- Depending on your application software, the file size may increase when you open a still image file.
- When you load an image modified using the supplied retouching software from your computer to the camera or when you directly modify the image on the camera, the image format will differ so the "FILE ERROR" message may appear and you may be unable to open the file.
- Depending on your application software, only the first frame of a Clip Motion image may be displayed.

Communications with your computer

Communications between your camera and your computer may not recover after recovering from Standby or Sleep.

Other

When connecting the camera to a computer or when using an external power source, remove the battery pack from inside the camera.

▶ Playback

33

- 6 Select and double-click the desired image/audio file from the folder.

For the detailed folder and file name, see "Image file storage destinations and image file names" (page 34).

When viewing an image in a floppy disk

Desired file type	Double-click in this order
Audio*	"Voice" folder → Audio file*
E-mail image	"E-mail" folder → Image file
Other files	Image file

When viewing an image in a "Memory Stick"

Desired file type	Double-click in this order
Still image	"Dcim" folder → "100msdcf" folder → Image file
Moving image*	"Mssony" folder → "Moml0001" folder → Image file*
Audio*	"Mssony" folder → "Momlv100" folder → Audio file*
Clip Motion image	"Dcim" folder → "100msdcf" folder → Image file
E-mail image TIFF image (uncompressed)	"Mssony" folder → "Imcif100" folder → Image file

* Copying a file to the hard disk of your computer before viewing it is recommended. If you play back the file directly from the floppy disk or "Memory Stick," the image and sound may break off.

For Windows Me or Windows 2000 Professional users

When using Windows Me or Windows 2000 Professional, the following procedures are recommended when disconnecting the USB cable from your computer, ejecting the floppy disk or "Memory Stick" from the camera, or changing the position of the MS/FD selector, while it is connected to your computer.

- 1 Stop the drive by clicking on the "Unplug/Eject" icon in the task tray.
- 2 Carry out the operation after the message, confirming the safe removal of the hardware, appears.

32

Image file storage destinations and image file names

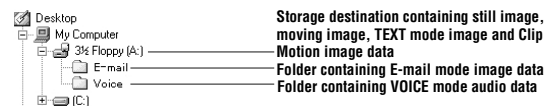
Image files recorded with your camera are grouped in folders by recording mode. Images in a floppy disk and ones in a "Memory Stick" have different file names. The meanings of the file names are as follows.

When using floppy disks

□□□ stands for any number within the range from 001 to 999.
 Δ stands for one of the following characters below.

- S: Still image file recorded at 640 480 size
- F: Still image file of more than 640 480 size
- V: Moving image file recorded at 160 112 size
- W: Moving image file recorded at 320 240 size
- T: Still image file recorded in TEXT mode
- C: Clip Motion file recorded in NORMAL mode
- M: Clip Motion file recorded in MOBILE mode

For Windows 98 users (The drive recognizing the floppy disk is [A].)



34

Location	File	Meaning
3 1/2 Floppy [A:]	MVC-□□□Δ.JPG	<ul style="list-style-type: none"> Still image file recorded normally Still image file recorded in <ul style="list-style-type: none"> E-MAIL mode (page 49) VOICE mode (page 50)
	MVC-□□□Δ.411	<ul style="list-style-type: none"> INDEX display file This file can only be played back on your camera.
	MVC-□□□Δ.MPG	<ul style="list-style-type: none"> Moving image file
	MVC-□□□Δ.GIF	<ul style="list-style-type: none"> Still image file recorded in <ul style="list-style-type: none"> TEXT mode (page 51) Clip Motion (page 47)
	MVC-□□□Δ.THM	<ul style="list-style-type: none"> Index image file recorded in <ul style="list-style-type: none"> TEXT mode (page 51) Clip Motion (page 47)
E-mail folder	MVC-□□□E.JPG	<ul style="list-style-type: none"> Small-size image file recorded in E-MAIL mode (page 49)
Voice folder	MVC-□□□A.MPG	<ul style="list-style-type: none"> Audio file recorded in VOICE mode (page 50)

- The numerical portions of the following files are the same.
 - An image file recorded in E-MAIL mode and its corresponding small-size image file
 - An audio file recorded in VOICE mode and its corresponding image file
 - An image file recorded in TEXT mode and its corresponding index image file
 - An image file recorded with Clip Motion and its corresponding index image file
- INDEX display files other than the TEXT mode and Clip Motion files are played back only on this camera.

▶ Playback

35

Folder	File	Meaning
Icicf100	DSC0□□□□.JPG	<ul style="list-style-type: none"> Small-size image file recorded in E-MAIL mode (page 49)
	DSC0□□□□.TIF	<ul style="list-style-type: none"> Uncompressed image file recorded in TIFF mode (page 52)
Moml0001	MOV0□□□□.MPG	<ul style="list-style-type: none"> Moving image file recorded normally
Momlv100	DSC0□□□□.MPG	<ul style="list-style-type: none"> Audio file recorded in VOICE mode (page 50)

- The numerical portions of the following files are the same.
- A small-size image file recorded in E-MAIL mode and its corresponding image file
 - An uncompressed image file recorded in TIFF mode and its corresponding image file
 - An audio file recorded in VOICE mode and its corresponding image file
 - An image file recorded in TEXT mode and its corresponding index image file
 - An image file recorded with Clip Motion and its corresponding index image file

▶ Playback

Tips

The digital still camera saves recorded images as digital data. The format of the saved data is called as the file format. The formats that can be used with this camera are as follows:

JPEG format

Most digital still cameras, operating systems of computers, and browser software adopt this format. This format is able to compress files without appreciable deterioration. However, if the image is compressed and saved on repeated occasions, the image will deteriorate. This camera records still images using the JPEG format for normal recording.

GIF format

Using this format, the image will not deteriorate even if the image is compressed and saved on repeated occasions. This format limits the number of colors to 256 colors. This camera records still images using the GIF format in Clip Motion (page 47) or TEXT mode (page 51).

TIFF format

Stores shooting images without compression, so the image does not deteriorate. Most of operating systems and applications correspond to this format. This camera records still images using the TIFF format for the TIFF mode (page 52).

MPEG format

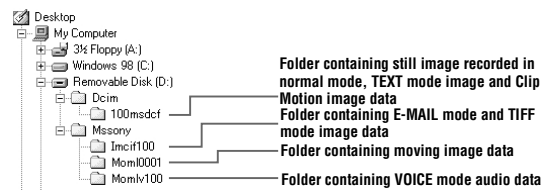
This format is very typical for moving images. This camera records audio using the MPEG format for the moving images recording and the VOICE mode (page 50).

37

When using "Memory Stick"™s

□□□□ stands for any number within the range from 0001 to 9999.

For Windows 98 users (The drive recognizing the camera is "D:")



Folder	File	Meaning
100msdcf	DSC0□□□□.JPG	<ul style="list-style-type: none"> Still image file recorded normally Still image file recorded in <ul style="list-style-type: none"> E-MAIL mode (page 49) TIFF mode (page 52) VOICE mode (page 50)
	CLP0□□□□.GIF	<ul style="list-style-type: none"> Clip Motion file recorded in NORMAL mode (page 47)
	CLP0□□□□.THM	<ul style="list-style-type: none"> Index image file of Clip Motion file recorded in NORMAL mode
	MBL0□□□□.GIF	<ul style="list-style-type: none"> Clip Motion file recorded in MOBILE mode (page 47)
	MBL0□□□□.THM	<ul style="list-style-type: none"> Index image file of Clip Motion file recorded in MOBILE mode
	TXT0□□□□.GIF	<ul style="list-style-type: none"> Still image file recorded in TEXT mode (page 51)
	TXT0□□□□.THM	<ul style="list-style-type: none"> Index image file of still image file recorded in TEXT mode

36

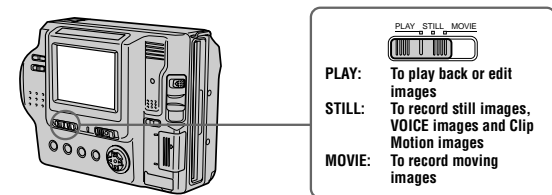
Advanced operations

Before performing advanced operations

This section describes the basic control methods that are frequently used for "Advanced operations."

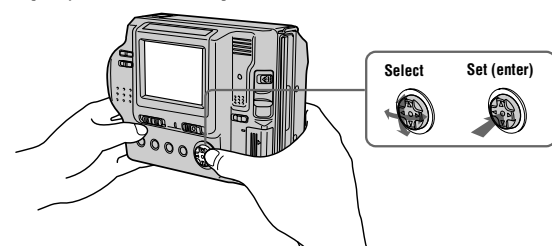
How to use the PLAY/STILL/MOVIE selector

The PLAY/STILL/MOVIE selector selects whether you can use your camera to record or play back and edit images. Set the selector as follows before starting to operate your camera.



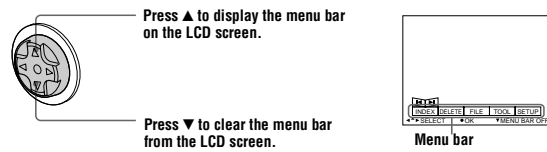
How to use the control button

The control button is used to select the buttons, images and menus displayed on the LCD screen of your camera and modify the settings. The operation methods that are frequently used for "Advanced operations" are described below.



38

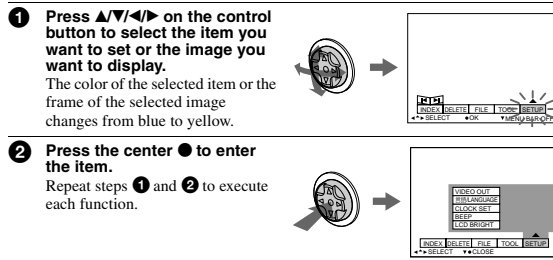
Turning on/off the operation buttons (menu bar) on the LCD screen



Note

You cannot clear the menu bar on the INDEX screen (page 59).

Selecting items or images on the LCD screen

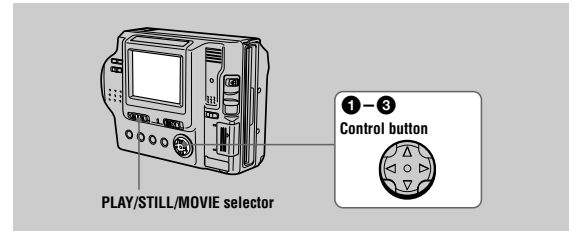


The "Advanced operations" section of this manual refers to selecting and entering items by the above procedure as "Select [item name]."

Before performing advanced operations

How to change the menu settings

Some of the advanced operations for your camera are executed by selecting menu items displayed on the LCD screen with the control button.



- Press ▲ on the control button to display the menu bar.**
The menu bar appears as follows according to the position of the PLAY/STILL/MOVIE selector.

STILL/MOVIE

PLAY (single mode)

PLAY (INDEX mode)
- Select the desired item with ▲/▼/◀/▶ on the control button, then press the center ●.**
The color of the selected item changes from blue to yellow, and when you press the center ●, the settings that can be set for its item are displayed.

Note
The displayed items are changed according to the position of the MS/FD selector.
- Select the desired setting with ▲/▼/◀/▶ on the control button, then press the center ●.**

To cancel the setup

Press ▼ on the control button repeatedly until the LCD screen returns to the menu bar display in step 1. To clear the menu bar, press ▼ again.

Menu settings

Menu items that can be modified differ depending on the positions of the PLAY/STILL/MOVIE selector or the MS/FD selector. The LCD screen shows only the items you can operate at the moment. Initial settings are indicated with ■.

⌚ (self-timer)

Records with the self-timer (page 22).

EFFECT

Item	Setting	Description	PLAY/STILL/MOVIE selector
P. EFFECT	SOLARIZE B&W SEPIA NEG.ART ■ OFF	Sets the image special effects (page 58).	STILL MOVIE
DATE/TIME	DAY & TIME DATE ■ OFF	Sets whether to insert the date and time into the image (page 58).	STILL

FILE

Item-1	Item-2	Setting	Description	PLAY/STILL/MOVIE selector
DISK TOOL (When the MS/FD selector is set to FD.)	FORMAT	OK	Formats a floppy disk (page 70). Once you format a floppy disk, all of the data, including protected images are deleted. Be sure to check for images before you format a floppy disk.	PLAY STILL MOVIE
		CANCEL	Cancels formatting of a floppy disk.	
	DISK COPY	OK	Copies all data stored in a floppy disk to another disk (page 68).	
		CANCEL	Cancels the disk copy.	
		CANCEL	Goes back to the [DISK TOOL] item.	

Before performing advanced operations

Item	Setting	Description	PLAY/STILL/MOVIE selector
FORMAT (When the MS/FD selector is set to MS.)	OK	Formats a "Memory Stick." Once you format the "Memory Stick," all of the data, including protected images are deleted. Be sure to check for images before you format a "Memory Stick."	PLAY STILL MOVIE
	CANCEL	Cancels formatting of a "Memory Stick."	
FILE NUMBER	SERIES	Assigns numbers to files in sequence even if the floppy disk or "Memory Stick" is changed. Note that file numbers are not in sequence between a floppy disk and "Memory Stick."	STILL MOVIE
	■ NORMAL	Resets the file number that starts from 001 or 0001 each time the floppy disk or "Memory Stick" is changed.	
CLIP MOTION	160×120 (NORMAL)	Sets the image size and number of frames for creating GIF format animation (page 47). Up to 10 frames can be recorded.	STILL
	80×72 (MOBILE)	Up to 2 frames can be recorded.	
	CANCEL	Cancels Clip Motion.	
IMAGE SIZE	■ 1472×1104	Selects the image size when recording still images.	STILL
	1280×960		
	1280(3:2)		
	1024×768		
IMAGE SIZE	■ 1472 (FINE)	Selects the image size when recording still images.	STILL
	1280 (FINE)		
	1280(3:2) F		
	1024 (FINE)		
IMAGE SIZE	320×240	Selects the MPEG image size when recording moving images.	MOVIE
	■ 160×112		

Item	Setting	Description	PLAY/STILL/ MOVIE selector
REC MODE	TIFF	Records a TIFF (uncompressed) file in addition to the JPEG file when the MS/FD selector is set to MS.	STILL
	TEXT	Records a GIF file in black-and-white.	
	VOICE	Records an audio file (with a still image) in addition to the JPEG file.	
	E-MAIL	Records a small-size (320 240) JPEG file in addition to the selected image size.	
	■NORMAL	Records an image using the normal recording mode.	
REC TIME SET	15 sec 10 sec ■5 sec	Selects the recording time for moving images.	MOVIE
SLIDE SHOW (Only in PLAY (single) mode)	INTERVAL	Sets the slide show interval. ■ 3 sec/5 sec/10 sec/30 sec/1 min	PLAY
	REPEAT	A slide show can be repeated. (When using the floppy disk, a slide show is up to approx. 20 minutes) ■ ON/OFF	
	START	Starts the slide show.	
	CANCEL	Cancels the slide show settings or execution.	
PRINT MARK	ON	Marks the still images to be printed (page 69).	PLAY
	■OFF	Unmarks the print mark of the still images.	
PROTECT	ON	Protects images against accidental erasure (page 63).	PLAY
	■OFF	Releases protection of images.	

CAMERA

Item	Setting	Description	PLAY/STILL/ MOVIE selector
DIGITAL ZOOM	■ON	Uses digital zoom.	STILL
	OFF	Does not use digital zoom.	
SHARPNESS	+2 to -2	Adjusts the sharpness of the image. The [] indicator appears (except when the setting is 0).	STILL

43

SETUP

Item	Setting	Description	PLAY/STILL/ MOVIE selector
DEMO	■STBY/ON OFF	Displayed only when you use the AC power adaptor in STILL or MOVIE mode. When [ON] is selected, a demonstration will start if you do not operate your camera for about 10 minutes. To stop the demonstration, turn off your camera.	STILL MOVIE
VIDEO OUT	NTSC	Sets the video output signal to NTSC mode (e.g., Japan, the USA).	PLAY STILL MOVIE
	PAL	Sets the video output signal to PAL mode (e.g., Europe).	
言語 / LANGUAGE	■ENGLISH	Displays the menu items in English.	PLAY STILL MOVIE
	日本語 / JPN	Displays the menu items in Japanese.	
CLOCK SET	—	Sets the date and time (page 14).	PLAY STILL MOVIE
BEEP	SHUTTER	Turns on the shutter sound only. (The shutter sound is heard when you press the shutter button.)	PLAY STILL MOVIE
	■ON	Turns on the beep/shutter sound (when you press the control button/shutter button).	
	OFF	Turns off the beep/shutter sound.	
LCD BRIGHT	■■■■■■■■	Adjusts the LCD screen brightness using +/- on the LCD screen.	PLAY STILL MOVIE

INDEX (Only in PLAY (single) mode)
Displays six images at a time (PLAY (INDEX) mode).

DELETE (Only in PLAY (single) mode)

Setting	Description	PLAY/STILL/MOVIE selector
OK	Deletes the displayed image.	PLAY
CANCEL	Cancels deleting of the image.	

➡ (Return) (Only in PLAY (INDEX) mode)
Returns to PLAY (single) mode.

45

Item	Setting	Description	PLAY/STILL/ MOVIE selector
WHITE BALANCE	IN DOOR OUT DOOR HOLD ■AUTO	Sets the white balance (page 57).	STILL MOVIE
	FLASH LEVEL	HIGH	
■NORMAL		Normal setting.	
LOW		Makes the flash level lower than normal.	
EXPOSURE	+2.0EV to -2.0EV	Adjusts the exposure before recording.	STILL MOVIE

TOOL

Item	Setting	Description	PLAY/STILL/ MOVIE selector
COPY (When the MS/FD selector is set to FD.)	FD → FD	Copies the image to a floppy disk.	PLAY
	FD → MS	Copies the image to a "Memory Stick."	
	CANCEL	Cancels copying of the image (page 66).	
COPY (When the MS/FD selector is set to MS.)	MS → MS	Copies the image to a "Memory Stick."	PLAY
	MS → FD	Copies the image to a floppy disk.	
	CANCEL	Cancels copying of the image (page 66).	
RESIZE (When the MS/FD selector is set to FD.)	1472 1104	Changes the recorded image size in PLAY (single) mode (page 65).	PLAY
	1280 960		
	1024 768		
	640 480		
	CANCEL		
RESIZE (When the MS/FD selector is set to MS.)	1472 (FINE)	Changes the recorded image size in PLAY (single) mode (page 65).	PLAY
	1280 (FINE)		
	1024 (FINE)		
	640 (FINE)		
	CANCEL		

44

► Various recording

Setting the image size (IMAGE SIZE)



- 1 Set the PLAY/STILL/MOVIE selector to STILL or MOVIE.
- 2 Select [FILE] and then [IMAGE SIZE] from the menu.
- 3 Select the desired image size.

Still image size:

- When the MS/FD selector is set to **FD**
1472 1104, 1280 960, 1280 (3:2)*, 1024 768, 640 480
- When the MS/FD selector is set to **MS**
1472 (FINE), 1280 (FINE), 1280 (3:2)F*, 1024 (FINE), 640 (FINE)

(FINE): The quality of the image recorded in a "Memory Stick" is higher than the image recorded in a floppy disk even if the image size is same. Also, the file size recorded in a "Memory Stick" is larger than the file recorded in a floppy disk.

* The image is recorded in the ratio of three to two to fit the printing paper size. Using this image size, the margin of an image is not printed out. However, the slight amount of the upper and lower of the image being displayed on the LCD screen is not recorded.

Moving image sizes:

320 240, 160 112

The number of images or the time that you can record on a floppy disk or "Memory Stick" (8 MB)

Image size	Number of images or time**	
	Floppy disk	"Memory Stick"
1472 1104	Approx. 5	Approx. 10
1280 960	Approx. 6	Approx. 12
1280 (3:2)	Approx. 6	Approx. 12
1024 768	Approx. 10	Approx. 20
640 480	Approx. 30	Approx. 48
320 240	Approx. 15 sec	Approx. 80 sec (15 sec)**
160 112	Approx. 60 sec	Approx. 320 sec (60 sec)**

* When REC MODE is set to NORMAL.

** The maximum recording time in continuous recording

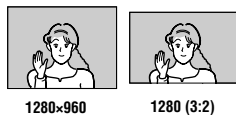
Notes

- If you try to record 55 images or more on a floppy disk, even if the remaining disk capacity is sufficient, "DISK FULL" appears on the LCD screen and you cannot record any more images.
- If you try to record 3001 images or more on a "Memory Stick," even if the remaining memory capacity of the "Memory Stick" is sufficient, "NO MEMORY SPACE" appears on the LCD screen and you cannot record any more images.

46

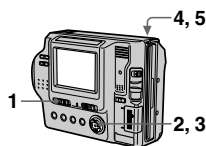
Tips

The size of the image is indicated by the pixel unit. The higher the number of pixels, the more information is included. So, an image that is saved using a large number of pixels is suitable for a large-format print and one that is saved using a smaller number of pixels is suitable for attaching to an E-mail. Normally, an image is recorded in the ratio of four to three to fit the monitor ratio. This camera can also record the image in the ratio of three to two to accommodate the most common printing paper size. This is the same ratio as the one used in photo-developing shops.



Creating Clip Motion Files

Clip Motion is an animation function that plays back still images in succession. Clip Motion images are played back on this camera at approximately 0.5 s intervals. The images are stored in GIF format, which is convenient for creating home pages or attaching images to an e-mail.

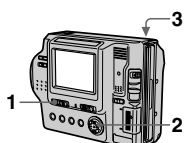


- 1 Set the **PLAY/STILL/MOVIE** selector to **STILL**.
 - 2 Select **[FILE]** and then **[CLIP MOTION]** from the menu.
 - 3 Select the desired mode.
 - 160x120 (NORMAL)**
Clip Motion of up to 10 frames can be recorded. This is suitable for use on home pages, etc.
 - 80x72 (MOBILE)**
Clip Motion of up to 2 frames can be recorded. This is suitable for use with portable data terminals.
- CANCEL**
This cancels the creation of Clip Motion.



Recording still images for e-mail (E-MAIL)

The E-MAIL mode records a small-size (320x240) image at the same time as a still image. Small-size images are convenient for e-mail transmission, etc. Images in E-MAIL mode are recorded in the JPEG format.



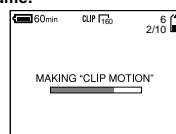
- 1 Set the **PLAY/STILL/MOVIE** selector to **STILL**.
- 2 Select **[FILE]**, **[REC MODE]**, and then **[E-MAIL]** from the menu.
- 3 Record the image.

The number of images that you can record on a floppy disk or "Memory Stick" (8 MB) in E-MAIL mode

Image size	Number of images	
	Floppy disk	"Memory Stick"
1472x1104	Approx. 4	Approx. 10
1280x960	Approx. 5	Approx. 12
1280 (3:2)	Approx. 5	Approx. 12
1024x768	Approx. 8	Approx. 20
640x480	Approx. 22	Approx. 44



4 Record the image for the first frame.



5 Record the image for the next frame.

Image recording can be repeated up to the maximum number of recordable frames. The frame images are automatically recorded on the floppy disk or "Memory Stick" when you select **[FINISH]** or after recording the maximum number of frames.

To stop Clip Motion creation Select **[RETURN]** after step 3. Note that if you record even one frame, you cannot stop Clip Motion creation.

The number of Clip Motion frames that you can record on a floppy disk or "Memory Stick" (8 MB)

Image size	Number of images	
	Floppy disk	"Memory Stick"
160x120 (NORMAL)	Approx. 7*	Approx. 40*
80x72 (MOBILE)	Approx. 54**	Approx. 400**

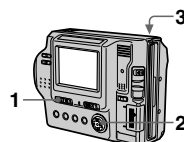
* When recording 10 frames per Clip Motion file
** When recording 2 frames per Clip Motion file

Notes

- Reading and writing data takes more time than normal image recording.
- Due to the limitations of the GIF format, the number of colors for Clip Motion images is reduced to 256 colors or less. Therefore, the picture quality may deteriorate for some images.
- The file size is reduced in MOBILE mode, so the picture quality deteriorates.
- GIF files not created on this camera may not be displayed correctly.

Adding audio files to still images (VOICE)

Images in VOICE mode are recorded in the JPEG format, and audio is recorded in the MPEG format.



- 1 Set the **PLAY/STILL/MOVIE** selector to **STILL**.
- 2 Select **[FILE]**, **[REC MODE]**, and then **[VOICE]** from the menu.
- 3 Record the image. If you press and release the shutter button, sound is recorded for five seconds. If you hold down the shutter button, sound is recorded until you release the shutter button for up to 40 seconds.

The number of images that you can record on a floppy disk or "Memory Stick" (8 MB) in VOICE mode

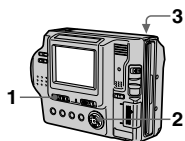
Image size	Number of images*	
	Floppy disk	"Memory Stick"
1472x1104	Approx. 3	Approx. 9
1280x960	Approx. 4	Approx. 11
1280 (3:2)	Approx. 4	Approx. 11
1024x768	Approx. 6	Approx. 17
640x480	Approx. 12	Approx. 34

* When recording 5-second audio.

To return to normal recording mode Select **[NORMAL]** in step 2.

Recording text documents (TEXT)

Text is recorded in GIF format to provide a clear image.



- 1 Set the PLAY/STILL/MOVIE selector to STILL.
- 2 Select [FILE], [REC MODE], and then [TEXT] from the menu.
- 3 Record the image.

The number of images that you can record on a floppy disk or "Memory Stick" (8 MB) in TEXT mode

Image size	Number of images*	
	Floppy disk	"Memory Stick"
1472x1104	Minimum 5	Minimum 29
1280x960	Minimum 7	Minimum 40
1280 (3:2)	Minimum 8	Minimum 44
1024x768	Minimum 11	Minimum 61
640x480	Minimum 28	Minimum 160

* The maximum number of recordable images depends on the document condition, such as the amount of text portions.

To return to normal recording mode
Select [NORMAL] in step 2.

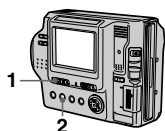
Notes

- If the subject is not evenly illuminated, you may be unable to record a clear image.
- Writing and reading data take more time than normal recording.



51

Recording images in macro



- 1 Set the PLAY/STILL/MOVIE selector to STILL or MOVIE.
- 2 Press FOCUS repeatedly until the \downarrow (macro) indicator appears on the LCD screen.
With the zoom lever set to the W side, you can shoot a subject that is about 3 cm (1 3/16 inch) away from the lens surface in macro mode.

To return to normal recording mode

Press FOCUS repeatedly until both the \downarrow and ∞ indicators disappear.

Notes

- You cannot record images in macro with the following PROGRAM AE modes:
—Landscape mode
—Panfocus mode
- You cannot record images in macro if the \downarrow indicator appears.

Setting the distance to the subject

Normally the focus is automatically adjusted. This function is useful when the auto focus does not work well such as in dark places.



- 1 Set the PLAY/STILL/MOVIE selector to STILL or MOVIE.
- 2 Press FOCUS repeatedly until a sharp focus is achieved.
The ∞ (manual focus) indicator appears on the LCD screen. You can select from six focus settings: \downarrow (macro), 0.5 m, 1.0 m, 3.0 m, 7.0 m, and ∞ (infinity)

To reactivate auto focusing

Press FOCUS repeatedly until both the \downarrow and ∞ indicators disappear.

Notes

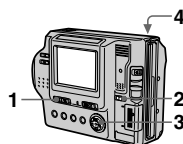
- Focal point information may not completely show the correct distance. Use the information as a guide.
- Focal point information does not show the correct distance when attaching the conversion lens.
- If you shoot a subject within 0.9 m (35 1/2 inches) while the zoom lever is set to T side, you cannot get a clear focus. In such cases, the focal point information flashes. Move the zoom lever to the W side until the indicator stops flashing.
- You cannot use this function if you have selected the Panfocus mode in the PROGRAM AE function.



53

Recording still images as uncompressed files (TIFF)

This mode simultaneously records still images in both TIFF format (uncompressed) and JPEG format (compressed) when using a "Memory Stick."



- 1 Set the PLAY/STILL/MOVIE selector to STILL.
- 2 Set the MS/FD selector to MS.
- 3 Select [FILE], [REC MODE], and then [TIFF] from the menu.
- 4 Record the image.

The number of images that you can record on a "Memory Stick" (8 MB) in TIFF mode

Image size	Number of images
1280x960	1
1280 (3:2)	1

To return to normal recording mode

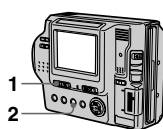
Select [NORMAL] in step 2.

Notes

- JPEG images are recorded in the image size selected by the [IMAGE SIZE] menu (page 46). TIFF images are recorded in [1280x960] size other than when [1280 (3:2)] is selected.
- Writing data takes more time than in normal recording.

52

Using the PROGRAM AE function



- 1 Set the PLAY/STILL/MOVIE selector to STILL or MOVIE.
- 2 Press PROGRAM AE repeatedly to select the desired PROGRAM AE mode.

Twilight mode

Suppresses the blurring of colors of a bright subject in a dark place so that you can record the subject without losing the dark atmosphere of the surroundings.

Twilight plus mode

Increases the effectiveness of the twilight mode function.

Landscape mode

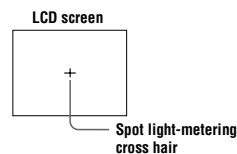
Focuses only on a distant subject to record landscapes, etc.

Panfocus mode

Changes the focus quickly and simply from a close subject to a distant subject.

Spot light-metering mode

Select this mode when there is backlight or when there is strong contrast between the subject and the background, etc. Position the point you want to record at the spot light-metering cross hair.



To cancel PROGRAM AE

Press PROGRAM AE repeatedly until the indicator on the LCD screen goes out.

Notes

- You can focus only on distant subjects in Landscape mode.
- In Panfocus mode, the zoom position is set to the W side and focus is fixed.
- When you record in Twilight plus mode, we recommend that you use a tripod to prevent shaking.
- Set the forced flash \blacksquare when you use the flash in the following modes:
— Twilight mode
— Twilight plus mode
— Landscape mode
- You cannot use the PROGRAM AE function when [REC MODE] is set to [TEXT].

54

Tips

Under normal recording conditions, the camera automatically makes various adjustments, such as those for the focus, iris, exposure, and white balance, as it shoots. However, you may not be able to carry out your desired shooting depending on shooting conditions. The program AE function provides you with near-optimum adjustments to suit your shooting situation.



▶ Various recording

Adjusting the exposure (EXPOSURE)



- 1 Set the **PLAY/STILL/MOVIE** selector to **STILL** or **MOVIE**.
- 2 Select **[CAMERA]** and then **[EXPOSURE]** from the menu.
- 3 Select the desired exposure value.

Adjust the exposure value while checking the brightness of the background. You can select values ranging from +2.0 EV to -2.0 EV in steps of 1/3 EV.

Note

If a subject is under extremely bright or dark situations, or the flash is used, the exposure adjustment may not be effective.

Tips

Normally, the camera automatically adjusts the exposure. If the color of the image is too dark or bright as illustrated below, we recommend that you adjust the exposure manually. When the color of the image is too dark, set it toward +, and when it is too bright, set it toward -.

Set the exposure toward +



Set the exposure toward -



55

Adjusting the white balance (WHITE BALANCE)

Normally the white balance is automatically adjusted.



- 1 Set the **PLAY/STILL/MOVIE** selector to **STILL** or **MOVIE**.
- 2 Select **[CAMERA]** and then **[WHITE BALANCE]** from the menu.
- 3 Select the desired white balance setting.

IN DOOR (☀)

- Places where the lighting condition changes quickly
- Under bright lighting such as photography studios
- Under sodium or mercury lamps

OUT DOOR (☀)

Recording a sunrise/sunset, night scene, neon signs, or fireworks

HOLD (HOLD)

Retains the adjusted white balance value

AUTO (No indicator)

Adjusts the white balance automatically

To reactivate auto adjustment
Select **[AUTO]** in step 3.

Note

Select **[AUTO]** when shooting with fluorescent lighting.

Tips

The image is susceptible to lighting conditions. The image looks white under sunlight in the summer, and looks red under mercury lamps. Human eyes can resolve these problems. However, the camera cannot resolve the problem by making adjustments. Normally, the camera adjusts it automatically, but, if the image appears in strange colors, we recommend that you change the white balance mode.



▶ Various recording

57

56

Recording the date and time on the still image (DATE/TIME)



- 1 Set the **PLAY/STILL/MOVIE** selector to **STILL**.
- 2 Select **[EFFECT]** and then **[DATE/TIME]** from the menu.
- 3 Select the date and time.

DAY & TIME

Imposes the date, hour, and minute.

DATE

Imposes the year, month, and day.

OFF

Does not impose the date and time.

- 4 Record the image.

The date and time do not appear on the LCD screen during shooting. These appear during playback only.



Notes

- When **[DATE]** is selected in step 3, the date is imposed in the order set by the **CLOCK SET** item (page 14).
- The date and time are not imposed onto Clip Motion images.

58

Enjoying picture effects (PICTURE EFFECT)



- 1 Set the **PLAY/STILL/MOVIE** selector to **STILL** or **MOVIE**.
- 2 Select **[EFFECT]** and then **[P. EFFECT]** from the menu.
- 3 Select the desired mode.

SOLARIZE

The light contrast is clearer and the picture looks like an illustration.

B&W

The picture is monochrome (black and white).

SEPIA

The picture is sepia-toned like an old photograph.

NEG.ART

The color and brightness of the picture are reversed as in a negative.

OFF

Does not use the picture effect function.

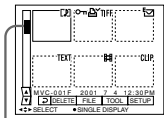
To cancel picture effect
Select **[OFF]** in step 3.

► Various playback

Playing back six images at once (INDEX)



- 1 Set the PLAY/STILL/MOVIE selector to PLAY.
- 2 Select [INDEX] on the LCD screen. Six images are displayed at once (index screen). Only the first frame of Clip Motion files is displayed.

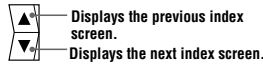


This shows the position of the currently displayed images relative to all the recorded images.

The following marks are displayed on each image according to the image type and settings.

- : Moving image file
- : VOICE mode file
- : E-mail file
- : Print mark
- : Protect mark
- TEXT: TEXT file
- TIFF: TIFF file
- CLIP: Clip Motion file
- (No mark): Normal recording (no settings)

To display the next (previous) index screen
Select ▲/▼ at the lower-left on the LCD screen.



To return to normal playback (single image)

- Select the desired image with the control button.
- Select ↻ (Return).

Note

When viewing an image recorded in Clip Motion or TEXT mode on the INDEX screen, the image may appear different from the actual image.



59

Playing back the still images in order (SLIDE SHOW)

This function is useful for checking the recorded images or for presentations, etc.



- 1 Set the PLAY/STILL/MOVIE selector to PLAY.
- 2 Select [FILE] and then [SLIDE SHOW] from the menu. Set the following items.

INTERVAL

You can select from 1 min (one minute), 30 sec (30 seconds), 10 sec (10 seconds), 5 sec (5 seconds), or 3 sec (3 seconds).

REPEAT

ON: Plays back images in a continuous loop (When using the floppy disk, the slide show stops approximately 20 minutes*) until [RETURN] is selected.
OFF: After all images have been played back, the slide show ends.

* The slide show does not end until all the images are played back, even if it takes more than 20 minutes.

- 3 Select [START]. The slide show begins.

To cancel the slide show
Select [CANCEL] in step 2 or 3.

To skip to the next/previous image during the slide show
Select ◀/▶ at the lower-left on the LCD screen.

Note

The interval setting time may vary depending on the image size.



61

Enlarging a part of the still image (Zoom and trimming)



- 1 Set the PLAY/STILL/MOVIE selector to PLAY.
- 2 Display the image to be enlarged.
- 3 Zoom in/out the image with the zoom lever. The zoom scaling indicator appears on the LCD screen.
- 4 Press the control button repeatedly to select the desired portion of the image.
 - ▲: The image moves downward
 - ▼: The image moves upward
 - ◀: The image moves rightward
 - ▶: The image moves leftward

To return to the normal size
Zoom out with the zoom lever until the zoom scaling indicator (Q x1.1) disappears from the screen, or simply press the center ●.

To record an enlarged image (trimming)
① Enlarge the image.
② Press the shutter button. The image is recorded at 640x480 size and the image on the LCD screen returns to the normal size after recording.

Notes

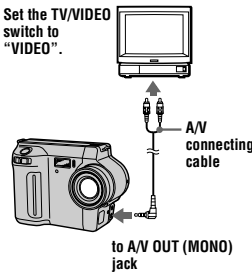
- You cannot trim moving images, still images recorded in Clip Motion, TEXT mode, or uncompressed images.
- Zoom scaling is up to 5x regardless of the original image size.
- The quality of enlarged images may be deteriorated.
- The original data is left even if you enlarge the image.
- The enlarged image is recorded as the newest file.

60

Viewing images on a TV screen

Before connecting your camera, be sure to turn off the TV.

Set the TV/VIDEO switch to "VIDEO".



- 1 Connect the A/V connecting cable to the A/V OUT (MONO) jack of your camera and to the audio/video input jacks of the TV. If your TV has stereo type input jacks, connect the audio plug of the A/V connecting cable to the Lch jack.
- 2 Turn on the TV and start playback on your camera. The playback image appears on the TV screen.

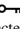
Note

You cannot use a TV that has an antenna (aerial) connector only.

62

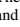
▶ Editing

Preventing accidental erasure (PROTECT)

The  (protect) indicator appears on protected images.



In single mode

- 1 Set the PLAY/STILL/MOVIE selector to PLAY, then display the image to be protected.
- 2 Select [FILE], [PROTECT], and then [ON] from the menu. The displayed image is protected and the  indicator appears.

To release protection
Select [OFF] in step 2.

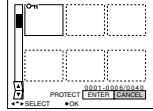
In INDEX mode

- 1 Set the PLAY/STILL/MOVIE selector to PLAY, then display the INDEX screen.
- 2 Select [FILE], [PROTECT], and then [ALL] or [SELECT] from the menu.

3 When you select [ALL]

Select [ON].
All the images in the floppy disk or "Memory Stick" are protected.

When you select [SELECT]
Select all the images to be protected with the control button, then select [ENTER]. The selected images are protected.



To release protection
If you selected [ALL] in step 2, select [OFF]. If you selected [SELECT] in step 2, select the images to be unprotected with the control button, then select [ENTER].

▶ Editing

Deleting images (DELETE)

Protected images cannot be deleted.



In single mode

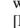
- 1 Set the PLAY/STILL/MOVIE selector to PLAY, then display the image to be deleted.
- 2 Select [DELETE] and then [OK] from the menu. The image is deleted.

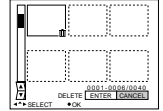
In INDEX mode

- 1 Set the PLAY/STILL/MOVIE selector to PLAY, then display the INDEX screen.
- 2 Select [DELETE] and then [ALL] or [SELECT] from the menu.

3 When you select [ALL]

Select [ENTER].
All the unprotected images are deleted.

When you select [SELECT]
Select all the images to be deleted with the control button, then select [ENTER]. The  (delete) indicator appears on the selected images and these images are deleted.



To cancel deleting
Select [CANCEL] in step 2 or 3.

Note
If there are files on the "Memory Stick" with names having the same last 4 digits as the file name of the image to be deleted, these files are also deleted at the same time.

▶ Editing

Changing the recorded still image size (RESIZE)

Use this function when you need a small-size image to attach it to an E-mail. The original image is retained even after resizing. The resized image is recorded as the newest file.



- 1 Set the PLAY/STILL/MOVIE selector to PLAY, then display the image of which you want to change the size.
- 2 Select [TOOL] and then [RESIZE] from the menu.
- 3 Select the desired size.
 - When the MS/FD selector is set to FD
1472x1104, 1280x960, 1024x768, 640x480.
 - When the MS/FD selector is set to MS
1472 (FINE), 1280 (FINE), 1024 (FINE), 640 (FINE).
The resized image is recorded, then the display returns to the image display before resizing.

To cancel changing the size
Select [CANCEL] in step 3.

Notes

- You cannot change the size of images recorded in TEXT mode, moving images, uncompressed images, or Clip Motion images.
- When you change from a small size to a large size, the picture quality deteriorates.

▶ Editing

Copying images (COPY)

Copies images to another floppy disk or "Memory Stick."

In single mode

- 1 Select the media using the MS/FD selector.
- 2 Set the PLAY/STILL/MOVIE selector to PLAY, then display the image to be copied.
- 3 Select [TOOL], and then [COPY] from the menu.



4 Select the media that the image will be copied onto.

- When the MS/FD selector is set to FD.
FD → FD: Copies to the floppy disk
FD → MS: Copies to the "Memory Stick"
- When the MS/FD selector is set to MS.
MS → MS: Copies to the "Memory Stick"
MS → FD: Copies to the floppy disk

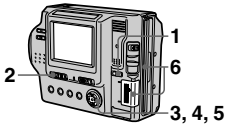
When you select [FD → MS] or [MS → FD], the camera automatically starts copying if the floppy disk and "Memory Stick" are inserted.

5 Insert or change the floppy disk or "Memory Stick" following the messages on the LCD screen.

"RECORDING" appears. When copying is completed, "COMPLETE" appears. To end copying, select [EXIT].

To continue copying the image to other floppy disks or "Memory Stick" s
After "COMPLETE" appears in step 5, select [CONTINUE] and repeat step 5 above.

In INDEX mode



- 1 Select the media using the MS/FD selector.
- 2 Set the PLAY/STILL/MOVIE selector to PLAY, then display the INDEX screen.
- 3 Select [TOOL], and then [COPY] from the menu.
- 4 Select the media that the image will be copied onto.
 - When the MS/FD selector is set to FD.
 - FD → FD: Copies to the floppy disk
 - FD → MS: Copies to the "Memory Stick"
 - When the MS/FD selector is set to MS.
 - MS → MS: Copies to the "Memory Stick"
 - MS → FD: Copies to the floppy disk

5 When you select [ALL]*

Select [OK].

* [ALL] can be selected only when selecting [FD → FD] or [FD → MS].

When you select [SELECT]**
Select all the images to be copied with the control button. The ✓ mark appears on the selected images and then select [ENTER].

** When selecting [MS → FD], the necessary number of floppy disks appears after selecting [ENTER]. Select [OK] again.

6 Insert or change the floppy disk or "Memory Stick" following the messages on the LCD screen.

"RECORDING" appears. When copying is completed, "COMPLETE" appears. To end copying, select [EXIT].

To continue copying the image to other floppy disks or "Memory Stick" s

After "COMPLETE" appears in step 6, select [CONTINUE] and repeat step 6.

When selecting [MS → FD], if the amount of total images that will be copied is too large to copy to one floppy disk, the images will be copied using multiple floppy disks.

To cancel copying partway
Select [CANCEL].

▼ Editing

67

- 4 Insert another floppy disk. "RECORDING" appears. When copying is completed, "COMPLETE" appears. To end copying, select [EXIT].

To continue copying to other floppy disks

After "COMPLETE" appears in step 4, select [CONTINUE] and repeat steps 3 and 4 above.

To cancel copying partway
Select [CANCEL].

Note

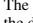
If you eject and insert the floppy disk without selecting [EXIT] after "COMPLETE" appears, DISK COPY will be carried out onto the floppy disk.

Selecting still images to print (PRINT MARK)

You can mark a print mark on still images recorded with your camera. This mark is convenient when you have images printed at a shop that conforms with the DPOF (Digital Print Order Format) standard.



In single mode

- 1 Set the PLAY/STILL/MOVIE selector to PLAY and display the image you want to print.
- 2 Select [FILE], [PRINT MARK], and then [ON] from the menu. The  (print) mark is marked on the displayed image.

To unmark the print mark
Select [OFF] in step 2.

In INDEX mode

- 1 Set the PLAY/STILL/MOVIE selector to PLAY, then display the INDEX screen.
- 2 Select [FILE], [PRINT MARK], and then [SELECT] from the menu.
- 3 Select the images to be marked with the control button.

▼ Editing

69

Notes

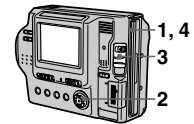
- You cannot copy uncompressed images.
- You cannot copy the image that is bigger than 1.4 MB.
- You cannot copy the images that the total amount of the images is bigger than 1.4 MB. If "NOT ENOUGH MEMORY" appears or ✓ flashes on the INDEX screen, cancel some images to copy and try again.
- If you eject and insert the floppy disk or "Memory Stick" without selecting [EXIT] after "COMPLETE" appears, the image will be copied.
- The number of floppy disks that is needed for copying is as a guide, which is displayed when selecting [MS → FD].

Copying all the information on your floppy disk (DISK COPY)

You can copy to another disk not only the images you have recorded with your camera but also various files you have created in other software with your computer.

Notes


- Once you carry out DISK COPY, all information saved on the recipient floppy disk is erased to be replaced by newly written data including the protected image data. Check the contents of the recipient disk before copying the disk.
- Be sure to use the floppy disk that has been formatted by this camera to carry out DISK COPY (page 70).

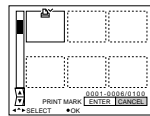


- 1 Set the MS/FD selector to FD, then insert the floppy disk to be copied.
- 2 Select [FILE], [DISK TOOL], [DISK COPY], and then [OK] from the menu. "DISK ACCESS" appears.
- 3 When "CHANGE FLOPPY DISK" is displayed, eject the floppy disk. "INSERT FLOPPY DISK" appears.

68

4 Select [ENTER].

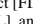
The  marks on the selected images change from green to white.



To unmark selected print marks

Select the images to be unmarked in step 3 with the control button, then select [ENTER].

To unmark all the print marks

Select [FILE], [PRINT MARK], [ALL], and then [OFF] from the menu. The  marks on all images are removed.

To print out using the FVP-1 Mavica Printer

Set PRESET SELECT SW to PC on the printer.

Notes

- You cannot mark moving images, Clip Motion images or images recorded in TEXT mode.
- If you mark an image recorded in TIFF mode with a print mark, only the uncompressed image is printed, and the JPEG image recorded at the same time is not printed.

Format

When you format a floppy disk or "Memory Stick," all data stored on the floppy disk or "Memory Stick" will be deleted. Check the contents of the floppy disk or "Memory Stick" before formatting.

Note

Even if images are protected, these images will be deleted.



- 1 Select the floppy disk or "Memory Stick" using the MS/FD selector.
- 2 Insert only the floppy disk or "Memory Stick" you want to format. Be sure to insert only the media you want to format.
- 3 Select [FILE] from the menu.
 - When formatting a floppy disk
Select [DISK TOOL], [FORMAT], and then [OK] from the menu.
 - When formatting a "Memory Stick"
Select [FORMAT], and then [OK] from the menu.

To cancel formatting
Select [CANCEL] in step 3.

70

Notes

- Format the floppy disk or "Memory Stick" only using this camera. You cannot format the floppy disk or "Memory Stick" using a computer via the USB cable.
- When you format, be sure to use a fully charged battery pack or the AC power adaptor as the power source.

► As an external drive

Using the camera as an external drive of a computer

Once you connect the camera to a computer using the USB cable, you can use the camera as a floppy disk/"Memory Stick" drive of a computer. Install the USB driver to the computer beforehand (page 29).

For Windows 98, Windows 98SE, Windows Me, and Windows 2000 Professional Users

- 1 **Connect the camera to the computer using the supplied USB cable.**
- 2 **Select the drive type using the MS/FD selector on this camera.**
When used as the floppy disk drive, set the MS/FD selector to FD.
When used as the "Memory Stick" drive, set the MS/FD selector to MS.
- 3 **Connect the AC power adaptor and turn on the camera.**
- 4 **Open "My Computer" on Windows and check the icon "Removable Disk," then use the camera as an external drive.**

Note

When using Windows Me or Windows 2000 Professional, see also page 32.

► As an external drive

71

If moisture condensation occurs

Immediately eject the floppy disk, then turn off the camera and wait about an hour for the moisture to evaporate. Note that if you attempt to record with moisture remaining inside the lens, you will be unable to record clear images.

On AC power adaptor

- Unplug the unit from the wall outlet (mains) when you are not using the unit for a long time. To disconnect the power cord (mains lead), pull it out by the plug. Never pull the power cord (mains lead) itself.
- Do not operate the unit with a damaged cord (mains lead) or if the unit has been dropped or damaged.
- Do not bend the power cord (mains lead) forcibly, or place a heavy object on it. This will damage the cord (mains lead) and may cause fire or electrical shock.
- Prevent metallic objects from coming into contact with the metal parts of the connecting section. If this happens, a short may occur and the unit may be damaged.
- Always keep metal contacts clean.
- Do not disassemble the unit.
- Do not apply mechanical shock or drop the unit.
- While the unit is in use, particularly during charging, keep it away from AM receivers and video equipment. AM receivers and video equipment disturb AM reception and video operation.
- The unit becomes warm during use. This is not a malfunction.
- Do not place the unit in locations that are:
 - Extremely hot or cold
 - Dusty or dirty
 - Very humid
 - Vibrating

On battery pack

- Use only the specified charger with the charging function.
- To prevent accident from a short circuit, do not allow metal objects to come into contact with the battery terminals.
- Keep the battery pack away from fire.
- Never expose the battery pack to temperatures above 60°C (140°F), such as in a car parked in the sun or under direct sunlight.
- Keep the battery pack dry.
- Do not expose the battery pack to any mechanical shock.
- Do not disassemble nor modify the battery pack.
- Attach the battery pack to the camera securely.
- Charging while some capacity remains does not affect the original battery capacity.

On the built-in rechargeable lithium battery

Your camera is supplied with a built-in rechargeable lithium battery installed so as to retain the date and time, etc., regardless of the setting of the POWER switch. The built-in rechargeable lithium battery is always charged as long as you are using your camera. The battery, however, will get discharged gradually if you do not use your camera. It will be completely discharged in about six months if you do not use your camera at all. Even if the built-in rechargeable lithium battery is not charged, it will not affect the camera operation. To retain the date and time, etc., charge the battery if the battery is discharged.

Additional information

73

Additional information

Precautions

On cleaning

Cleaning the LCD screen

Wipe the screen surface with a cleaning cloth (not supplied) or an LCD cleaning kit (not supplied) to remove fingerprints, dust, etc.

Cleaning the camera surface

Clean the camera surface with a soft cloth slightly moistened with water, then wipe the surface dry. Do not use any type of solvent such as thinner, alcohol or benzene as this may damage the finish or the casing.

After using your camera at the seashore or other dusty locations

Clean your camera carefully. Otherwise, the salty air may corrode the metal fittings or dust may enter the inside of your camera, causing a malfunction.

On floppy disks

To protect data recorded on floppy disks, note the following:

- Avoid storing floppy disks near magnets or magnetic fields such as those of speakers and televisions. Otherwise, permanent erasure of disk data may result.
- Avoid storing floppy disks in areas subject to direct sunlight or sources of high temperature, such as a heating device. Floppy disk warping or damage may result, rendering the disk useless.
- Avoid contact with the disk's surface by opening the disk shutter plate. If the disk's surface becomes blemished, data may be rendered unreadable.

72

Charging the built-in rechargeable lithium battery:

- Connect your camera to house current (mains) using the AC power adaptor supplied with your camera, and leave your camera with the power turned off for more than 24 hours.
- Or install the fully charged battery pack in your camera, and leave your camera with the power turned off for more than 24 hours.

If any problem occurs, unplug your camera and contact your nearest Sony dealer.

On "Memory Sticks"

"Memory Stick" is a new compact, portable and versatile IC recording medium with a data capacity that exceeds a floppy disk. "Memory Stick" is specially designed for exchanging and sharing digital data among "Memory Stick" compatible products. Because it is removable, "Memory Stick" can also be used for external data storage.

There are two types of "Memory Sticks": general "Memory Sticks" and "MagicGate Memory Sticks" that are equipped with the MagicGate* copyright protection technology.

You can use both types of "Memory Stick" with your camera. However, because your camera does not support the MagicGate standards, data recorded with your camera is not subject to MagicGate copyright protection.

* MagicGate is copyright protection technology that uses encryption technology.

- Avoid getting liquids on the floppy disk.
- Be sure to use a floppy disk case to ensure protection of important data.
- Even when you use a 3.5 inch 2HD floppy disk, image data may not be recorded and/or displayed depending on the using environment. In this case, use a disk of other brand.

On operating temperature

Your camera is designed for use between the temperatures of 0°C to 40°C (32°F to 104°F). Recording in extremely cold or hot places that exceed this range is not recommended.

On moisture condensation

If the camera is brought directly from a cold to a warm location, or is placed in a very damp room, moisture may condense inside or outside the camera. Should this occur, the camera will not operate properly.



Moisture condensation occurs easily when:

- The camera is brought from a cold location such as a ski slope into a warmly heated room.
- The camera is taken from an air-conditioned room or car interior to the hot outdoors, etc.

How to prevent moisture condensation

When bringing the camera from a cold place to a warm place, seal the camera in a plastic bag and allow it to adapt to conditions at the new location over a period of time (about an hour).

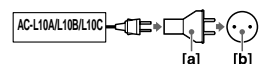
Notes

- Do not remove the "Memory Stick" while reading or writing data.
- Data may be damaged if:
 - you remove the "Memory Stick" or turn off your camera while reading or writing data.
 - you use the "Memory Stick" in a location subject to the effects of static electricity or noise.
- Do not attach any other material than the supplied label on the labeling position.
- When you carry or store the "Memory Stick," put it in its supplied case.
- Do not touch the terminals of a "Memory Stick" with your hand or a metal object.
- Do not strike, bend or drop the "Memory Stick."
- Do not disassemble or modify the "Memory Stick."
- Do not allow the "Memory Stick" to get wet.
- "Memory Stick", , "MagicGate Memory Stick" and  are trademarks of Sony Corporation.
- "MagicGate" and **MAGICGATE** are trademarks of Sony Corporation.

Using your camera abroad

Power sources

You can use your camera in any country or area with the supplied battery charger within 100 V to 240 V AC, 50/60 Hz. Use a commercially available AC plug adaptor [a], if necessary, depending on the design of the wall outlet (mains) [b].



74

Watching the playback picture on TV

If you want to view the playback picture on a TV, you need a TV having a video input jack and a video connecting cable.

The color system of the TV must be the same as that of your digital still camera. Check the following list:

NTSC system

Bahama Islands, Bolivia, Canada, Central America, Chile, Columbia, Ecuador, Jamaica, Japan, Korea, Mexico, Peru, Surinam, Taiwan, the Philippines, the U.S.A., Venezuela, etc.

PAL system

Australia, Austria, Belgium, China, Denmark, Finland, Germany, Great Britain, Holland, Italy, Kuwait, Malaysia, New Zealand, Norway, Portugal, Singapore, Spain, Sweden, Switzerland, Thailand, etc.

PAL-M system

Brazil

PAL-N system

Argentina, Paraguay, Uruguay

SECAM system

Bulgaria, Czech Republic, France, Guiana, Hungary, Iran, Iraq, Monaco, Poland, Russia, Slovak Republic, Ukraine, etc.

About "InfoLITHIUM" battery pack

What is the "InfoLITHIUM" battery pack?

The "InfoLITHIUM" battery pack is a lithium-ion battery pack that has functions for communicating information related to operating conditions between your camera and the AC power adaptor. The "InfoLITHIUM" battery pack calculates the power consumption according to the operating conditions of your camera, and displays the remaining battery time in minutes.

Charging the battery pack

- Be sure to charge the battery pack before you start using your camera.
- We recommend charging the battery pack in an ambient temperature of between 10°C to 30°C (50°F to 86°F) until the POWER ON/OFF (CHG) lamp goes out, indicating that the battery pack is fully charged. If you charge the battery pack outside of this temperature range, you may not be able to efficiently charge the battery pack.
- After charging is completed, either disconnect the AC power adaptor from the DC IN jack on your camera or remove the battery pack.

Additional information

Effective use of the battery pack

Battery performance decreases in low-temperature surroundings. So, the time that the battery pack can be used is shorter in cold places. We recommend the following to use the battery pack longer:

- Put the battery pack in a pocket close to your body to warm it up, and insert it in your camera immediately before you start taking shots.
- Use the large capacity battery pack (NP-F550, optional).
- Frequently using the LCD panel or frequently operating the zoom wears out the battery pack faster. We recommend using the large capacity battery pack (NP-F550, optional).
- Be certain to turn the POWER switch to off when not taking shots or playing back on your camera.
- We recommend have spare batteries handy for two or three times the expected shooting time, and make a trial shots before taking the actual shots.
- Do not expose the battery pack to water. The battery pack is not water-resistant.

Remaining battery time indicator

If the power goes off although the battery remaining indicator indicates that the battery pack has enough power to operate, charge the battery pack fully again so that the indication on the battery remaining indicator is correct. Note, however, that the correct battery indication sometimes will not be restored if it is used in high temperatures for a long time or left in a fully charged state, or the battery pack is frequently used. Regard the remaining battery time indication as the approximate shooting time.

• The mark indicating there is little remaining battery time sometimes flashes depending on the operating conditions or ambient temperature and environment even if the remaining battery time is 5 to 10 minutes.

How to store the battery pack

- Even if the battery pack is not used for a long time, store it in a dry, cool place after fully charging it once per year and then using the battery pack up on your camera. This is to maintain the battery pack's functions.
- To use the battery pack up on your camera, leave the POWER switch to on in PLAY mode until the power goes off without a floppy disk or a "Memory Stick" inserted.

Battery life

- The battery life is limited. Battery capacity decreases little by little as you use it more and more, and as time passes. When the battery operating time is shortened considerably, a probable cause is that the battery pack has reached the end of its life. Please buy a new battery pack.
- The battery life varies according to how it is stored and operating conditions and environment for each battery pack.

Troubleshooting

If you experience trouble with your camera, first check the following items. Should your camera still not operate properly after you have made these checks, consult your Sony dealer or local authorized Sony service facility. **If code displays (C:□□:□□) appear on the LCD screen, the self-diagnosis display function is working (page 85).**

Symptom	Cause and/or Solution
Your camera does not work.	<ul style="list-style-type: none"> • You are not using an "InfoLITHIUM" battery pack. →Use an "InfoLITHIUM" battery pack (page 9). • The floppy disk is not inserted properly. →Eject the disk, and insert it again (page 16). • The battery level is too low. (The indicator appears.) →Charge the battery pack fully (page 10). • The AC power adaptor is not connected securely. →Connect it securely to the DC IN jack and a wall outlet (mains) (page 10, 13). • The malfunction occurs inside the camera. →Turn off the power, and turn on after one minute, then check that the camera works properly.
Your camera cannot record images.	<ul style="list-style-type: none"> • The PLAY/STILL/MOVIE selector is set to PLAY. →Set it to STILL or MOVIE (pages 18, 23). • No floppy disk is inserted into your camera. →Insert a floppy disk (page 16). • The tab on the disk is set to the unrecordable position. →Set it to the recording position (page 16). • No "Memory Stick" is inserted into your camera. →Insert a "Memory Stick" (page 17). • The write-protect switch on the "Memory Stick" is set to LOCK. →Set it to the recording position.
The picture is out of focus.	<ul style="list-style-type: none"> • Your camera is not in macro recording mode when you shoot a subject that is about 3 to 25 cm (1 3/16 to 9 7/8 inches) away from the lens. →Set the macro recording mode (page 53). →Move the zoom lever to the W side.
The resizing function does not work.	<ul style="list-style-type: none"> • You cannot resize moving images, text images, Clip Motion images, and uncompressed images.

Additional information

Symptom	Cause and/or Solution
You cannot display a print mark.	<ul style="list-style-type: none"> • You cannot display print marks on moving images, text images and Clip Motion images.
The picture is noisy.	<ul style="list-style-type: none"> • Your camera is placed near a TV or other equipment that uses strong magnets. →Move your camera away from the TV, etc.
The picture is too dark.	<ul style="list-style-type: none"> • You are shooting a subject with a light source behind the subject. →Adjust the exposure (page 56). • The brightness of the LCD screen is too low. →Adjust the brightness of the LCD screen (page 20).
The flash does not work.	<ul style="list-style-type: none"> • The flash is set to . →Set the flash to (no indication), , or . • The camera is in one of the following PROGRAM AE modes: Twilight, Twilight plus, or Landscape. →Cancel the PROGRAM AE function or set the flash to (page 22, 54). • The PLAY/STILL/MOVIE selector is set to MOVIE. →Set it to STILL.
The date and time are recorded incorrectly.	<ul style="list-style-type: none"> • The date and time are not set correctly. →Set the correct date and time (page 14).
Vertical streaks appear when you are shooting a very bright subject.	<ul style="list-style-type: none"> • This is called the smear phenomenon. →This is not a malfunction.
The zoom does not work.	<ul style="list-style-type: none"> • PROGRAM AE is set to the Panfocus mode. →Cancel the Panfocus mode (page 54).
Digital zoom does not function.	<ul style="list-style-type: none"> • You cannot use digital zoom when recording moving pictures. • Digital zoom is set to [OFF]. →Set digital zoom to [ON] at the menu.
The image is in monochrome.	<ul style="list-style-type: none"> • You shot the image in TEXT mode. →Cancel the TEXT mode (page 51). • The picture effect is set to B&W. →Cancel the B&W mode (page 58).
The image cannot be played back on a computer.	<ul style="list-style-type: none"> →Consult the computer or software manufacturer.

Symptom	Cause and/or Solution
The image and sound break off when you play back an image on a computer.	<ul style="list-style-type: none"> You are playing back the file from the floppy disk or "Memory Stick." → Copy the file to the hard disk of the computer and then play back the file from the hard disk (page 32).
Your camera cannot delete an image.	<ul style="list-style-type: none"> The image is protected. → Cancel the protection (page 63).
The power turns off suddenly.	<ul style="list-style-type: none"> With the PLAY/STILL/MOVIE selector set to STILL or MOVIE, if you do not operate the camera for about three minutes while the power is on, the camera turns off automatically to prevent wearing down the battery pack. → Turn on the camera. The battery pack is discharged. → Replace it with a fully charged battery pack.
The image does not appear on the TV screen.	<ul style="list-style-type: none"> The VIDEO OUT setting of your camera is incorrect. → Change the setting (page 45).
The slide show function stops automatically.	<ul style="list-style-type: none"> The slide show function stops after about 20 minutes when using a floppy disk. → To continue the slide show, select [START] again (page 61).
You cannot use the PROGRAM AE function.	<ul style="list-style-type: none"> The camera is set to TEXT mode. → Cancel the TEXT mode (page 51).
The macro function does not work.	<ul style="list-style-type: none"> PROGRAM AE is set to the Panfocus mode. → Cancel the Panfocus mode (page 54).

Additional Information

79

5 Open "Device Manager" on Windows.

For Windows 98, Windows 98SE and Windows Me users:

- Open [Control Panel] from [My Computer], then double-click [System].
- System properties is displayed. Click the [Device Manager] tab located at the top.
- Click [SonyDSC] in [Other devices], then click the [Delete (E)] button located at the lower-right corner.

For Windows 2000 Professional users:

- Log in with the permission of administrator.
- Open [Control Panel] from [My Computer], then double-click [System].
 - System properties is displayed. Click the [Hardware] tab located at the top, then click the [Device Manager (D)] button.
 - Click [View] in [Device Manager], then click [Devices by type (E)].
 - Right-click [SonyDSC] in [Other devices], then click [Delete (E)].

6 After the message appears to verify that you delete the device manager, click the [OK] button.

7 Turn off the camera, disconnect the USB cable, and restart the computer.

8 Install the USB driver in the supplied CD-ROM to the computer following the procedure on page 29. Perform all steps without skipping.

Battery packs

Symptom	Cause and/or Solution
The battery pack cannot be charged.	<ul style="list-style-type: none"> The power of the camera is turned on. → Turn off the power of the camera (page 10).
The battery life is short.	<ul style="list-style-type: none"> You are recording/playing back images under extremely cold temperatures. The battery pack is not charged enough. → Charge the battery pack fully. The battery pack is dead. → Replace the battery pack with a new one.

Additional Information

81

Symptom	Cause and/or Solution
Your computer does not recognize your camera.	<ul style="list-style-type: none"> The battery level is low. → Use the AC power adaptor (page 13). The camera is turned off. → Turn on the camera. The USB cable is not connected firmly. → Disconnect the USB cable, and connect it again firmly. Make sure that "USB MODE" is displayed on the LCD screen (page 29). The USB connectors on your computer are connected to other equipment besides the keyboard, the mouse, and your camera. → Disconnect the USB cables except for the ones connected to the keyboard, the mouse, and your camera. The position of the MS/FD selector is not set to the proper position for the media being used. → Set the MS/FD selector to the proper position. The USB driver is not installed. → Install the USB driver (page 29). For Windows 98, Windows 98SE, Windows Me and Windows 2000 Professional users Since the camera is connected to a computer with the USB cable before installing the USB driver, the drive is not recognized properly by the computer. → Delete the drive which is not recognized properly, then install the USB driver. For details, see the procedure below.

Reinstall the USB driver when using Windows 98, Windows 98SE, Windows Me and Windows 2000 Professional

1 Turn on your computer and allow Windows to load.

2 Connect the USB jack on the camera and the computer with the supplied USB cable.

3 Insert a media and set the MS/FD selector to the appropriate position according to the media inserted.

4 Connect the AC power adaptor to your camera and then to a wall outlet (mains), and turn on the power of your camera.

80

Symptom	Cause and/or Solution
The indication of the battery remaining time is not proper, or the power is immediately turned off even if the battery remaining indicator indicates that the battery level is sufficient.	<ul style="list-style-type: none"> You are using the camera for many hours under extremely hot or cold temperatures. The battery pack is dead. → Replace the battery pack with a new one (page 9). The battery level is too low. → Install the fully charged battery pack (page 9, 10). A deviation has occurred in the remaining battery time. → Charge the battery pack fully (page 10).
The POWER ON/OFF (CHG) lamp flashes when charging a battery pack.	<ul style="list-style-type: none"> A malfunction has occurred in the battery pack. → Contact your Sony dealer or local authorized Sony service facility.
The POWER ON/OFF (CHG) lamp does not light up when charging a battery pack.	<ul style="list-style-type: none"> The AC power adaptor is not connected. → Connect the power cord firmly to a wall outlet (page 10). The battery pack is not installed properly. → Install it properly (page 9). Charging of the battery pack is complete.

82

Warning and notice messages

Various messages appear on the LCD screen. Check the corresponding descriptions in the following list.

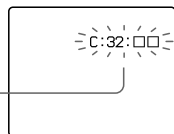
Message	Meaning
DRIVE ERROR	There is trouble with the disk drive.
SYSTEM ERROR	Turn the power off and on again.
NO DISK	No disk is inserted.
NO MEMORY STICK	No "Memory Stick" is inserted.
FORMAT ERROR	<ul style="list-style-type: none"> The floppy disk loaded is not MS-DOS formatted (512 bytes×18 sectors). Failed to format the "Memory Stick." The Floppy Disk Adaptor for Memory Stick is inserted.
MEMORY STICK ERROR	The inserted "Memory Stick" cannot be used with your camera, or the "Memory Stick" is damaged or not inserted correctly.
DISK PROTECT	The tab on the disk is set to the unrecordable position.
MEMORY STICK LOCKED	The write-protect switch on the "Memory Stick" is set to the LOCK position.
DISK FULL	The disk is full.
NO MEMORY SPACE	The capacity of the "Memory Stick" is not sufficient to record images.
NO FILE	No image is recorded on the disk.
FILE ERROR	Trouble has occurred during playback.
FILE PROTECT	The image is protected.
DISK ERROR	A 2DD floppy disk is inserted, or there is trouble with the disk.
DIRECTORY ERROR	A directory with the same name already exists.
NOT ENOUGH MEMORY	The remaining capacity of the floppy disk or "Memory Stick" is not enough to copy the image.
IMAGE SIZE OVER	You tried to play back images with an image size larger than the maximum playback size of this camera.

83

Additional Information

Self-diagnosis display

Your camera has a self-diagnosis display. This function displays the camera condition on the LCD screen with a combination of a letter and four digits of numbers. If this appears, check the following code chart. The code informs you of the camera's current condition. The last two digits (indicated by □□) will differ depending on the state of the camera.



Self-diagnosis display

- C: □□: □□
You can repair the camera yourself.
- E: □□: □□
Contact your Sony dealer or local authorized Sony service facility.

Code	Cause and/or Corrective Action
C:32:□□	<ul style="list-style-type: none"> There is trouble with the disk drive. → Turn the power off and on again.
C:13:□□	<ul style="list-style-type: none"> An unformatted floppy disk or "Memory Stick" is inserted. → Format the floppy disk or "Memory Stick." (page 70) A floppy disk or "Memory Stick" not compatible with this camera is inserted. → Change the floppy disk or "Memory Stick." (pages 16, 17)
E:61:□□ E:91:□□	<ul style="list-style-type: none"> A camera malfunction that you cannot repair has occurred. → Contact your Sony dealer or local authorized Sony service facility and inform them of the 5-digit indication. (example: E:61:10)

If you are unable to rectify the problem even if you try corrective actions a few times when C:□□:□□ is indicated, contact your Sony dealer or local authorized Sony service facility.

85

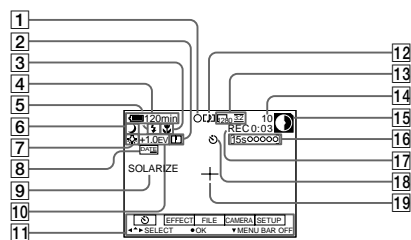
Additional Information

Message	Meaning
INVALID OPERATION	You are playing back a file that was created on equipment other than your camera.
for "InfoLITHIUM" battery only	The battery is not the "InfoLITHIUM" type.
Ⓞ	The image is protected.
Ⓜ	The battery level is too low. When the remaining time is about 5 to 10 minutes, Ⓜ may flash depending on the battery pack used, operating conditions, or the environment.

84

LCD screen indicators

The indicators during recording

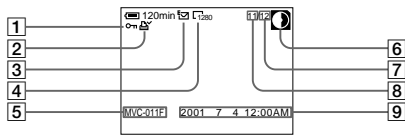


- | | |
|--|--|
| 1 AE lock indicator/Focus lock indicator | 14 Number of recorded images |
| 2 Sharpness indicator | 15 Remaining disk capacity/Remaining memory capacity indicator |
| 3 Focus mode indicator/Macro indicator | Ⓞ: Floppy disk
Ⓜ: "Memory Stick" |
| 4 Battery remaining indicator | 16 Recording time indicator |
| 5 Flash level indicator/Flash mode indicator | 17 Self-diagnosis function indicator/Recording time indicator |
| 6 PROGRAM AE indicator/Zoom indicator | 18 Self-timer indicator |
| 7 White balance indicator | 19 Spot light-metering indicator |
| 8 DATE indicator | |
| 9 Picture effect indicator | |
| 10 EV level indicator | |
| 11 Menu bar and guide menu | |
| They appear by pressing ▲ on the control button and disappear by pressing ▼. | |
| 12 Recording mode/Clip Motion indicator | |
| 13 Image size indicator | |

Additional Information

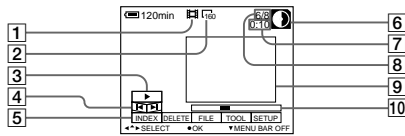
87

The indicators during still image playback



- 1 Protect indicator/Zoom scaling indicator
 - 2 Print mark indicator
 - 3 Recording mode/Clip Motion indicator
 - 4 Image size indicator
 - 5 File name*
 - 6 Remaining disk capacity/Remaining memory capacity indicator
 - 7 Number of stored images on a floppy disk or "Memory Stick"
 - 8 Image number
 - 9 Recording date of the playback image*
- * When the menu bar is displayed, this indicator disappears from the screen.

The indicators during moving image playback



- 1 Moving image file indicator
 - 2 Image size indicator
 - 3 Playback button/pause button
▶ is displayed during stop, and || during playback.
 - 4 Image searching buttons
 - 5 Menu bar and guide menu
 - 6 Remaining disk capacity/Remaining memory capacity indicator
 - 7 Counter
 - 8 Image number/number of stored images on a floppy disk or "Memory Stick"
 - 9 Playback image
 - 10 Playback bar
- : Floppy disk
 : "Memory Stick"

Revision History

Ver.	Date	History	Contents	S.M. Rev. issued
1.0	2001.02	Official Release	—	—
1.1	2001.06	Correction	S.M. correction: Page 12	Yes