

# SONY®

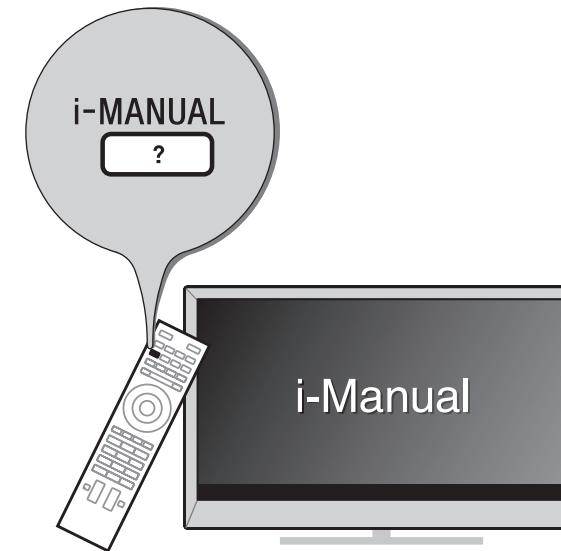
## LCD TV TV ACL

Operating Instructions (Setup Guide)	US
---	----

Mode d'emploi (Guide d'installation)	FR
---	----

For Your Convenience	
<b>Online Registration:</b>	Be sure to register your TV. <b>United States</b> <a href="http://productregistration.sony.com">http://productregistration.sony.com</a> <b>Canada</b> <a href="http://www.sony.ca/registration">http://www.sony.ca/registration</a>
<b>Software Updates:</b>	Your TV is capable of receiving software updates. For the latest information about software updates for your TV, visit: <b>United States</b> <a href="http://www.sony.com/tvsupport">http://www.sony.com/tvsupport</a> <b>Canada</b> <a href="http://www.sony.ca/support">http://www.sony.ca/support</a>  NOTE: If your TV is connected to the Internet, you can check for software updates by selecting <b>Settings, Product Support</b> and then <b>Software Update</b> .

Pour votre commodité	
<b>Enregistrement en ligne :</b>	Faire en sorte de compléter l'enregistrement de votre téléviseur. <b>Canada</b> <a href="http://www.sony.ca/fr/registration">http://www.sony.ca/fr/registration</a> <b>États-Unis</b> <a href="http://productregistration.sony.com">http://productregistration.sony.com</a>
<b>Mise à jour du logiciel :</b>	Votre téléviseur est en mesure de recevoir des mises à jour logicielles. Pour obtenir les renseignements les plus à jour sur les mises à jour du logiciel de votre téléviseur, visitez : <b>Canada</b> <a href="http://support.sony.ca/fr">http://support.sony.ca/fr</a> <b>États-Unis</b> <a href="http://www.sony.com/tvsupport">http://www.sony.com/tvsupport</a>  REMARQUE : Si votre téléviseur est connecté à Internet, vous pouvez vérifier les mises à jour du logiciel en sélectionnant <b>Réglages, Soutien du produit</b> , puis <b>Mise à jour du logiciel</b> .



### Sony Customer Support

U.S.A.:  
<http://www.sony.com/tvsupport>  
Canada:  
<http://www.sony.ca/support>

United States      Canada  
1.800.222.SONY    1.877.899.SONY

Please Do Not Return  
the Product to the Store

### Service à la clientèle Sony

Canada :  
<http://support.sony.ca/fr>  
États-Unis :  
<http://www.sony.com/tvsupport>

Canada                      États-Unis  
1.877.899.SONY    1.800.222.SONY

Ne retournez pas le produit au magasin

# BRAVIA

XBR-84X900



## Owner's Record

The model and serial numbers are located at the side and rear of the TV. Record these numbers in the spaces provided below. Refer to them whenever you call upon your Sony dealer regarding this TV.

Model Name

Serial No.

## CAUTION

To prevent electric shock and blade exposure, do not use this polarized AC plug with an extension cord, receptacle or other outlet unless the blades can be fully inserted.

- Operate the TV only on 110-240 V AC (U.S.A./Canada 120 V AC)
- Some people may experience discomfort (such as eye strain, fatigue, or nausea) while watching 3D video images or playing stereoscopic 3D games. Sony recommends that all viewers take regular breaks while watching 3D video images or playing stereoscopic 3D games. The length and frequency of necessary breaks will vary from person to person. You must decide what works best. If you experience any discomfort, you should stop watching the 3D video images or playing stereoscopic 3D games until the discomfort ends; consult a doctor if you believe necessary. You should also review (i) the instruction manual of any other device or media used with this television and (ii) our website (<http://www.sony.com/tvsupport>) for the latest information. The vision of young children (especially those under six years old) is still under development. Consult your doctor (such as a pediatrician or eye doctor) before allowing young children to watch 3D video images or play stereoscopic 3D games. Adults should supervise young children to ensure they follow the recommendations listed above.
- Do not use, store, or leave the 3D Glasses or battery near a fire, or in places with a high temperature, e.g., in direct sunlight, or in sun-heated cars.

- When using the simulated 3D function, please note that the displayed image is modified from the original due to the conversion done by this television.

## Licensing Information

The terms HDMI and HDMI High-Definition Multimedia Interface, and the HDMI Logo are trademarks or registered trademarks of HDMI Licensing LLC in the United States and other countries.

Ferguson Patent Properties, LLC:  
U.S. Patent No. 5,717,422  
U.S. Patent No. 6,816,141

Manufactured under license from Dolby Laboratories. Dolby and the double-D symbol are trademarks of Dolby Laboratories.


Rovi and Rovi On Screen Guide are trademarks of Rovi Corporation and/or its subsidiaries.

The Rovi On Screen Guide system is manufactured under license from Rovi Corporation and/or its subsidiaries.

The Rovi On Screen Guide system is protected by one or more United States patents of Rovi Corporation and/or its subsidiaries.

Rovi Corporation and/or its subsidiaries and related affiliates are not in any way liable for the accuracy or availability of the program schedule information or other data in the Rovi On Screen Guide system and cannot guarantee service availability in your area. In no event shall Rovi Corporation and/or its related affiliates be liable for any damages in connection with the accuracy or availability of the program schedule information or other data in the Rovi On Screen Guide system.

"Blu-ray Disc", "Blu-ray" and "Blu-ray Disc" logo are trademarks of Blu-ray Disc Association.

"BRAVIA" and BRAVIA, S-Force, Motionflow, BRAVIA Sync, and  are trademarks or registered marks of Sony Corporation.

DLNA<sup>®</sup>, the DLNA Logo and DLNA CERTIFIED<sup>®</sup> are trademarks, service marks, or certification marks of the Digital Living Network Alliance.

TrackID is a trademark or registered trademark of Sony Mobile Communications AB.

Music and video recognition technology and related data are provided by Gracenote<sup>®</sup>. Gracenote is the industry standard in music recognition technology and related content delivery. For more information, please visit [www.gracenote.com](http://www.gracenote.com).

CD, DVD, Blu-ray Disc, and music and video-related data from Gracenote, Inc., copyright © 2000-present Gracenote. Gracenote Software, copyright © 2000-present Gracenote. One or more patents owned by Gracenote apply to this product and service. See the Gracenote website for a nonexhaustive list of applicable Gracenote patents. Gracenote, CDDB, MusicID, MediaVOCS, the Gracenote logo and logotype, and the "Powered by Gracenote" logo are either registered trademarks or trademarks of Gracenote in the United States and/or other countries.

Opera<sup>®</sup> Browser from Opera Software ASA. Copyright 1995-2012 Opera Software ASA. All rights reserved.

Wi-Fi Direct is a mark of the Wi-Fi Alliance.

"Sony Entertainment Network logo" and "Sony Entertainment Network" are trademarks of Sony Corporation.

"PS3" and "SimulView" are trademarks of Sony Computer Entertainment Inc.





- The illustrations of the remote control used in this manual are of the RM-YD086 unless otherwise stated.
- Retain this manual for future reference.

# Important Safety Instructions

- 1) Read these instructions.
- 2) Keep these instructions.
- 3) Heed all warnings.
- 4) Follow all instructions.
- 5) Do not use this apparatus near water.



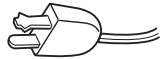
- 6) Clean only with dry cloth.
- 7) Do not block any ventilation openings. Install in accordance with the manufacturer's instructions.



- 8) Do not install near any heat sources such as radiators, heat registers, stoves, or other apparatus (including amplifiers) that produce heat.



- 9) Do not defeat the safety purpose of the polarized or grounding-type plug. A polarized plug has two blades with one wider than the other. A grounding type plug has two blades and a third grounding prong. The wide blade or the third prong are provided for your safety. If the provided plug does not fit into your outlet, consult an electrician for replacement of the obsolete outlet.



- 10) Protect the power cord from being walked on or pinched particularly at plugs, convenience receptacles, and the point where they exit from the apparatus.



- 11) Only use attachments/ accessories specified by the manufacturer.



- 12) Use only with the cart, stand, tripod, bracket, or table specified by the manufacturer, or sold with the apparatus. When a cart is used, use caution when moving the cart/apparatus combination to avoid injury from tip-over.



- 13) Unplug this apparatus during lightning storms or when unused for long periods of time.



- 14) Refer all servicing to qualified service personnel. Servicing is required when the apparatus has been damaged in any way, such as power-supply cord or plug is damaged, liquid has been spilled or objects have fallen into the apparatus, the apparatus has been exposed to rain or moisture, does not operate normally, or has been dropped.



**Please observe the Additional Safety DOs and DON'Ts to avoid electrical shock, short-circuit, fire, bodily injury or property damage.**

# Safety Information

## Declaration of Conformity

Trade Name: SONY  
Model: XBR-84X900  
Responsible Party: Sony Electronics Inc.  
Address: 16530 Via Esprillo,  
San Diego, CA 92127 U.S.A.  
Telephone Number: 858-942-2230

This device complies with part 15 of the FCC rules. Operation is subject to the following two conditions:

(1) This device may not cause harmful interference, and (2) this device must accept any interference received, including interference that may cause undesired operation.

## For customers in Canada

This Class B digital apparatus complies with Canadian ICES-003.

## Pour les clients résidant au Canada

Cet appareil numérique de la classe B est conforme à la norme NMB-003 du Canada.

## FCC Related Information

This equipment has been tested and found to comply with the limits for a Class B digital device, pursuant to Part 15 of the FCC Rules. These limits are designed to provide reasonable protection against harmful interference in a residential installation. This equipment generates, uses and can radiate radio frequency energy and, if not installed and used in accordance with the instructions, may cause harmful interference to radio communications. However, there is no guarantee that interference will not occur in a particular installation. If this equipment does cause harmful interference to radio or television reception, which can be determined by turning the equipment off and on, the user is encouraged to try to correct the interference by one or more of the following measures:

- Reorient or relocate the receiving antenna.
- Increase the separation between the equipment and receiver.
- Connect the equipment into an outlet on a circuit different from that to which the receiver is connected.
- Consult the dealer or an experienced radio/TV technician for help.

Pursuant to FCC regulations, you are cautioned that any changes or modifications not expressly approved in this manual could void your authority to operate this equipment.

## Safety and Regulatory

This equipment complies with FCC/IC radiation exposure limits set forth for uncontrolled equipment and meets the FCC radio frequency (RF) Exposure Guidelines in Supplement C to OET65 and RSS-102 of the IC radio frequency (RF) Exposure rules. This equipment has very low levels of RF energy that it deemed to comply without maximum permissive exposure evaluation (MPE). But it is desirable that it should be installed and operated with at least 20 cm and more between the radiator and person's body (excluding extremities: hands, wrists, feet and ankles).

This device and its antenna(s) must not be co-located or operating with any other antenna or transmitter except Grant condition.

## Note

This television includes a QAM demodulator which should allow you to receive unscrambled digital cable television programming via subscription service to a cable service provider. Availability of digital cable television programming in your area depends on the type of programming and signal provided by your cable service provider.

## Compatible Wall-Mount Bracket Information

Use the following Sony Wall-Mount Bracket with your TV model.

Sony TV Model No.	
	XBR-84X900
Sony Wall-Mount Bracket Model No.	SU-WL500

Use with other Wall-Mount Brackets\* may cause instability and could result in property damage or injury.

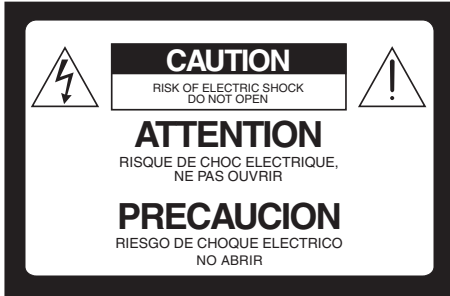
\* For instructions on using the Wall-Mount bracket with your TV please go to <http://esupport.sony.com> for your TV model and download "Additional Information for Using Sony Wall-Mount Bracket".

## To Customers

Sufficient expertise is required for TV installations. Be sure to subcontract the installation to a Sony dealer or licensed contractor and pay adequate attention to safety during the installation.

# WARNING

To reduce the risk of fire or electric shock, do not expose this TV to rain or moisture. The TV must never be exposed to dripping, splashing, or spilling liquids of any kind.



This symbol is intended to alert the user to the presence of uninsulated "dangerous voltage" within the TV's enclosure that may be of sufficient magnitude to constitute a risk of electric shock to persons.

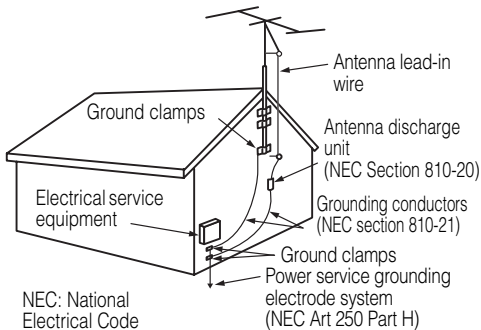


This symbol is intended to alert the user to the presence of important operating and maintenance (servicing) instructions in the literature accompanying the TV.



Danger of explosion if battery is incorrectly replaced. Replace only with the same or equivalent type.

## Outdoor Antenna Grounding



# Additional Safety DOs and DON'Ts

## MOISTURE

- ❑ Do not place liquid filled objects such as a vase or potted plant on the TV.
- ❑ Do not use a power line operated TV set near water; for example, near a bathtub, washbowl, kitchen sink, laundry tub, wet basement or near a swimming pool, etc.
- ❑ Do not install the TV in a location where sulfur is present (e.g., hot springs). This may cause a fire, electric shock or damage to your TV.



## CLEANING

When cleaning, be sure to unplug the power cord to avoid any chance of electric shock.

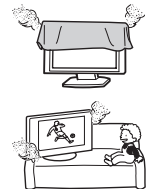
- ❑ Clean the cabinet of the TV with a dry soft cloth.
- ❑ Wipe the LCD screen gently with a soft cloth.
- ❑ Stubborn stains may be removed with a cloth slightly moistened with a solution of mild soap and warm water.
- ❑ Do not spray water or detergent directly on the TV set. It may drip to the bottom of the screen or exterior parts, and may cause a malfunction.
- ❑ If using a chemically pretreated cloth, please follow the instruction provided on the package.
- ❑ Never use strong solvents such as a thinner, alcohol or benzene for cleaning.
- ❑ Periodic vacuuming of the ventilation openings is recommended to ensure to proper ventilation.



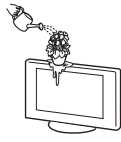
## VENTILATION

The ventilation openings in the TV are necessary to ensure reliable operation of the TV and to protect it from overheating.

- ❑ Do not block or cover the ventilation openings with cloth or other materials.
- ❑ Never place the TV on a bed, sofa, rug or other similar surface where ventilation openings may be blocked.
- ❑ Unless proper ventilation is provided, the TV may accumulate dust and cause damage.



- ❑ Never allow liquid or solid objects to fall into the ventilation openings.
- ❑ If any liquid or solid object falls inside the TV, unplug the TV immediately and have it checked by qualified service personnel before operating it further.
- ❑ Never push objects of any kind into the TV through the ventilation openings as they may come in contact with dangerous voltage points or short out parts that could result in a fire or an electric shock.



Allow adequate space around the TV set to ensure proper air circulation.

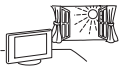
- ❑ Never place the TV in a confined space, such as a bookcase or built-in cabinet, unless proper ventilation is provided.
- ❑ There should be a clearance of at least 11 7/8 inches (30 cm) above the TV set and 4 inches (10 cm) on each side. If mounted on the wall, allow at least 4 inches (10 cm) of clearance at the bottom of the screen.



## INSTALLATION

The TV should be installed near an easily accessible AC power outlet.

- ❑ Do not install the TV face up or down, upside down or on its side.
- ❑ Do not install the TV in hot, humid, excessively dusty places or in areas with oily smoke or steam (e.g., near a stove or humidifier). Fire, electric shock, or warping may occur.
- ❑ Do not install the TV in places subject to extreme temperature, such as in direct sunlight, near a radiator or a heating vent. The TV may overheat in such conditions which can cause deformation of the enclosure and/or TV malfunction.
- ❑ Do not install the TV in a place exposed to direct air conditioning; moisture may condense inside and may cause TV malfunction.
- ❑ Do not install the TV where it may be exposed to mechanical vibration.
- ❑ Do not install the TV where insects may enter.
- ❑ Do not install the TV so that it protrudes into an open space. Injury or damage may result from a person or object bumping into the TV.



- ❑ To prevent fire keep flammable objects or open flame (e.g. candles) away from the TV.
- ❑ Do not place optional equipment on top of the TV.

## Prevent the TV from topping over

Take measures to prevent the TV from toppling over and causing injury or damage to the TV and property.



- ❑ Secure the TV to a wall and/or stand.
- ❑ Never install the TV on unstable and/or uneven surfaces.
- ❑ Do not allow children to climb on or play with furniture and TV sets.
- ❑ Do not install the TV on furniture that can easily be used as steps, such as a chest of drawers.
- ❑ Care should be taken to install the TV where it cannot be pushed, pulled over, or knocked down.
- ❑ Care should be taken to route all AC power cords and connecting cables so that they cannot be pulled or grabbed by curious children.

US

## Medical institutions

Do not place this TV in a place where medical equipment is in use. It may cause a medical equipment malfunction.



## Outdoor use

Do not install this TV outdoors. The TV should not be exposed to rain or direct sunlight in order to avoid damage and possible fire or electric shock.

## Do not install this TV in a vehicle, ship or other vessel

- ❑ Excessive bumping motion of a moving vehicle or continuous swaying motion on a boat may cause the TV to fall down and cause injury.
- ❑ Exposing the TV to seawater may cause a fire, electric shock or damage to your TV.



## Magnetic influence

- ❑ This TV contains a strong magnet in the speaker unit that generates a magnetic field. Keep any items susceptible to magnetic fields away from the speaker.
- ❑ Electro-magnetic radiation emitted from optional equipment installed too close to the TV may cause picture distortion and/or noisy sound.

## Wall-mount use

- ❑ Wall-mount installation requires the use of a Wall-Mount Bracket. When installing or removing the TV and the Wall-Mount Bracket, be sure to use qualified contractors. If not properly secured during installation or removal from the Wall-Mount Bracket, the TV may fall and cause serious injury.
- ❑ Be sure to follow the installation guide supplied with the Wall-Mount Bracket when installing the TV.
- ❑ Be sure to attach the brackets with the specified parts supplied with the Wall-Mount Bracket.
- ❑ Do not hang the TV from the ceiling. It may fall and cause serious injury.
- ❑ Do not hang anything on the TV.
- ❑ Do not allow children to climb on the TV.



## AC POWER CORD

- ❑ Do not touch the AC power cord and its plug with wet hands as it may cause electric shock.
- ❑ When disconnecting the AC power cord, grasp the plug and disconnect from the wall outlet first. Do not pull by the cord.
- ❑ Keep the power cord away from heat sources.

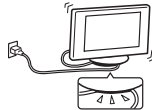


A TV set with a three-wire grounding type AC power cord plug must be connected to an AC power outlet with a protective earthing connection (only applicable for Class I product).

- ❑ Do not convert or damage the AC power cord.
- ❑ Consult your electrician to have the outlet changed to suit your TV.

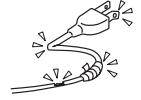
Subjecting the AC power cord to wear and/or abuse can damage the AC power cord and your TV.

- ❑ Do not place the TV where the power cord can be easily pinched, bent, twisted, or catch your feet.



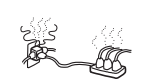
- ❑ Do not allow anything to rest on or roll over the cord.
- ❑ Before connecting cables, be sure to unplug the AC power cord for your safety.
- ❑ Do not move the TV with the AC power cord (or other cables such as audio and video) connected.

- ❑ Use only an original Sony AC power cord with your TV; no brand substitution is allowed.
- ❑ Do not use AC power cord supplied with the TV with any other equipment.
- ❑ Never use a damaged AC power cord. A damaged AC power cord can cause a shortcircuit, which may result in a fire or electric shock.



Do not use a damaged or poorly fitting AC power outlet as your TV's power source.

- ❑ Insert the plug fully into the outlet. If it is loose, it may cause arcing and result in a fire.
- ❑ Do not overload the same AC power outlet.



Unplugging the AC power cord from the wall outlet will completely remove power from the TV.

- ❑ During lightning storms or when the TV is left unattended and unused for extended periods of time, the AC power cord should be unplugged from the wall outlet. This will avoid possible damage to your TV. Also unplug the antenna to prevent damage to the TV.



- ❑ For energy conservation and safety reasons, practice unplugging the AC power cord from the AC power outlet.

## Clean the AC power plug

Unplug the AC power plug and clean it occasionally to avoid dust from accumulating. While cleaning, look for signs of damage. A damaged AC power cord should never be used.



## ACCESSORIES

Keep small accessories out of children's reach. Use only the specified accessories with this TV.

## Volume Adjustment

- ❑ When using headphones, adjust the volume to avoid excessive audio levels from causing possible hearing loss.





## BATTERIES

Your remote control batteries are consumables.

- ❑ Dispose of batteries in an environmentally friendly way. Certain regions may regulate the disposal of batteries. Please consult your local authority.
- ❑ Do not dispose of batteries in a fire.
- ❑ Do not short-circuit, disassemble or overheat the batteries.
- ❑ Batteries must not be exposed to excessive heat such as sunshine, fire or the like.

## LCD SCREEN

- ❑ Although the LCD screen is made with high-precision technology and has effective pixels of 99.99% or more, black dots or bright points of light (red, blue, or green) may appear constantly on the LCD screen. This is a structural property of the LCD panel and is not a malfunction.
- ❑ The LCD screen is made with high-precision technology and to achieve a high level of performance and picture quality, this TV's backlight setting is set to maximize the brightness of the TV. However, uneven brightness may be observed when the LCD TV is viewed in a dark ambient without an input source or with a blank screen. This condition is normal and not a malfunction of the TV. Changing the Picture mode, Backlight setting, enabling the Light Sensor (if applicable), or turning on the Power Management will improve this condition.
- ❑ To avoid damaging the LCD panel, do not expose the LCD screen to direct sunlight.
- ❑ Do not push or scratch the LCD screen, or place objects on top of the TV. The images may be uneven or the LCD panel may be damaged.
- ❑ If the TV is used in a cold place, the picture may smear or become dark. This does not indicate a failure. These phenomena improve as the temperature rises.
- ❑ Ghosting may occur when still pictures are displayed continuously. It should disappear after a few moments.
- ❑ The LCD screen and enclosure get warm when the TV is in use. This is not a malfunction.
- ❑ Avoid spraying insect repellent with volatile material on the LCD screen.
- ❑ Avoid prolonged contact with rubber or plastic material to the LCD screen.

## Broken screen panel

Do not throw anything at the LCD screen and its edges as the impact can cause the LCD screen glass to crack, break or shatter.

- ❑ If damage occurs to the LCD panel, small traces of liquid crystal sandwiched between the glass may be found on scattered broken glass.
- ❑ Do not touch the broken glass with bare hands. As with any broken glass pieces, avoid skin contact and exposure to your eyes or mouth. Avoid direct contact with liquid or damp surfaces of the glass as these may have an adverse effect on some people. The contacted area should be rinsed thoroughly with water. If conditions persist, see your doctor.
- ❑ If the surface of the TV cracks, do not touch the TV until you have unplugged the AC power cord. Otherwise electric shock may result.

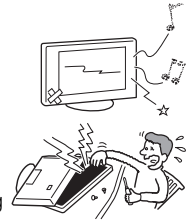


US

## SERVICING

Do not use the TV if you suspect the TV is damaged or if the TV is damaged.

- ❑ Do not attempt to service the TV yourself since opening the cabinet may expose you to dangerous voltage levels or other hazards. Refer all servicing to qualified service personnel.
- ❑ If replacement parts are required, acquire a written certification from the service technician which states that adequate replacement parts with the same or similar characteristics as the original parts have been used. Unauthorized substitutions may result in a fire, an electric shock or other hazards.



## Safety check

- ❑ Upon completion of any TV servicing or repair, ask the service technician to perform routine safety checks as specified by Sony and to certify that the TV is safe to operate. Have a qualified service technician dispose of the TV if it is not safe to operate.



## CAUTION

- Some people may experience discomfort (such as eye strain, fatigue, or nausea) while watching 3D video images or playing stereoscopic 3D games. Sony recommends that all viewers take regular breaks while watching 3D video images or playing stereoscopic 3D games. The length and frequency of necessary breaks will vary from person to person. You must decide what works best. If you experience any discomfort, you should stop watching the 3D video images or playing stereoscopic 3D games until the discomfort ends; consult a doctor if you believe necessary. The vision of young children (especially those under six years old) is still under development. Consult your doctor (such as a pediatrician or eye doctor) before allowing young children to watch 3D video images or play stereoscopic 3D games. Adults should supervise young children to ensure they follow the recommendations listed above.

## The BRAVIA® Full HDTV Experience

Thank you for choosing Sony! Your new BRAVIA® TV opens the door to the “Full HDTV Experience.” This document will help you get the most out of your TV.

Please take a moment to register your TV at:

**U.S.A.:** <http://productregistration.sony.com>

**Canada:** <http://www.sony.ca/registration>

### Four Steps to a Full HD Experience

Set, Source, Sound, and Setup.

#### 1 Set

Now that you have made the best selection in LCD TV technology, be sure to remove all accessory contents from the packaging before setting up your TV.

#### 2 Source

To experience the stunning detail of your BRAVIA TV, you need access to HD programming.

- Upgrade your signal or content source to high-definition (HD) by contacting your HD service provider.

- Receive over-the-air HD broadcasts with an HD-quality antenna connected directly to the back of your TV.

Visit <http://www.antennaweb.org> for more information on antenna selection and setup.

- Discover the wealth of entertainment now available on super-high resolution Blu-ray Disc™ player and other Sony HD equipment.

#### 3 Sound

Complete the high-definition experience with a BRAVIA Sync™ surround sound system or A/V receiver from Sony.

#### 4 Setup

Install your TV and connect your sources. See page 21 for sample connection diagrams. To help assure the highest quality for your HD experience, use Sony HDMI (High-Definition Multimedia Interface) cables.

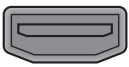




**To learn more about HDTV, visit:**

**U.S.A.:** <http://www.sony.com/HDTV>

**Canada:** <http://www.sony.ca/hdtv>

This TV displays all video input signals in a resolution of 3,840 dots × 2,160 lines.

The following chart shows the high-definition (HD) and standard-definition (SD) video formats supported by your BRAVIA TV inputs.

	INPUT	VIDEO	AUDIO	SUPPORTED FORMATS							
				1080/24p/30p	1080p* <sup>1</sup>	1080i	720/24p/30p	720p* <sup>1</sup>	480p	480i	PC* <sup>2</sup>
HD	HDMI		When HDMI is connected to DVI with an adapter, a separate Audio L/R is necessary.	✓	✓	✓	✓	✓	✓	✓	✓
	COMPONENT	 Y Pb Pr	 Audio L/R		✓	✓		✓	✓	✓	
SD	VIDEO	 Composite video connection	 Audio L/R								✓

\*<sup>1</sup> For details of supported formats, refer to the “Specifications” in this manual.

\*<sup>2</sup> For supported PC formats refer to the i-Manual.

# About this manual (Operating Instructions)

This manual explains how to setup your TV. For more information on how to use BRAVIA TV, refer to the “Electronic manual”.

## Operating Instructions

Explains how to setup your TV such as connections, initial setup, and basic operations.

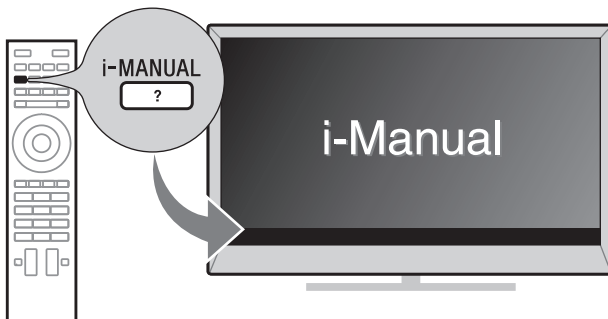


For more information, press the **i-MANUAL** button



## Electronic manual (i-Manual)

Explains how to use all the features. See page 38 on how to use the i-Manual.



Images and illustrations used in this manual may differ from the actual screen.

# Table of Contents

## Getting Started

Checking the accessories .....	14
Inserting batteries into the remote control.....	14
Before setting up your TV .....	15
1: Assembling the Table-Top Stand.....	16
2: Adjusting the Speakers angle .....	20
3: Connecting the TV.....	21
4: Securing the TV .....	25
5: Connecting the AC power cord.....	27
6: Bundling the cables .....	27
7: Connecting the TV to the Internet.....	28
8: Running initial setup .....	29
Using a Wall-Mount Bracket.....	30
Installing the TV Against a Wall or Enclosed Area .....	31

US

## Using Your BRAVIA TV

<b>Watching TV ▶.....</b>	<b>32</b>
Selecting various functions and settings (Home Menu).....	34
Watching Internet Video .....	37

## Looking for Instructions

**Looking for instructions in the electronic manual (i-Manual) ▶ ...**

**38**

## Additional Information

Troubleshooting.....	41
How to Care for Your BRAVIA TV .....	42
Specifications .....	43

# Checking the accessories

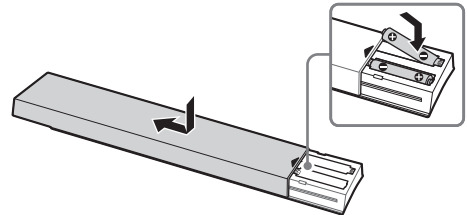
---

- AC power cord (1)
- Cable holder (5)
- Remote control (1)\*
- Size AAA batteries (2)
- Short Neck (2)
- Short Neck Cover (2)
- 3D Glasses (2)
- Pouch for 3D Glasses (2)
- Operating Instructions (this manual) and other documents

\* Please refer to the model name printed on the remote control.

# Inserting batteries into the remote control

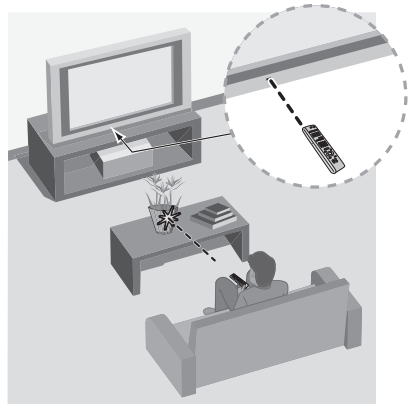
---



- 1 Remove the protection sheet.
- 2 Push and slide the cover to open.

## ■ Guidelines for Remote Control

- Point your remote control directly at the IR sensor located on your TV.
- Make sure that no objects are blocking the path between the remote control and the IR sensor on your TV.



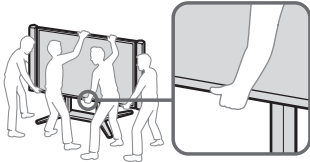
- Fluorescent lamps can interfere with your remote control; try turning off the fluorescent lamps.
- If you are having problems with the remote control, reinsert or replace your batteries and make sure that they are correctly inserted.

# Before setting up your TV

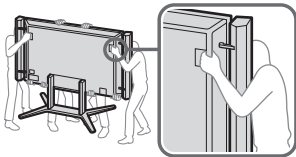
See page 30 (Using a Wall-Mount Bracket) if you want to mount the TV to a wall. Be sure to consider the following while setting up your TV:

- Disconnect all cables when carrying the TV.
- Carry the TV with the adequate number of people; larger size TVs require four or more people.
- Correct hand placement while carrying the TV is very important for safety and to avoid damage.
- When lifting or moving the TV set, hold it firmly from the bottom.

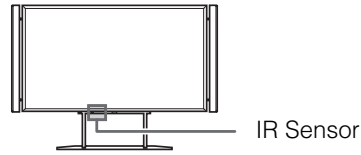
Front



Rear



- Ensure that there are no objects in front of the TV.



US

- Ensure your TV has adequate ventilation, see page 31.
- For best picture quality, do not expose the screen to direct illumination or sunlight.
- Avoid installing the TV in a room with reflective wall and floor materials.
- Avoid moving the TV from a cold area to a warm area. Sudden room temperature changes may cause moisture condensation. This may cause the TV to show poor picture and/or poor color. Should this occur, allow moisture to evaporate completely before powering the TV on.

# 1: Assembling the Table-Top Stand

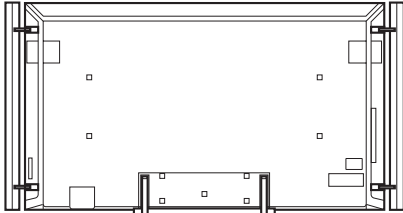


Read and follow the instructions below when assembling the Table-Top Stand in order to avoid any risk of damaging the TV set.

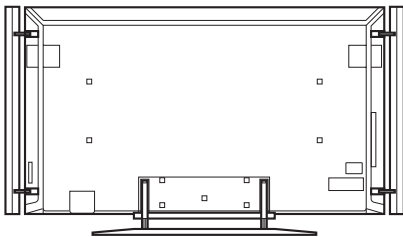
Refer to the instructions below on how to change the Floor Stand to Table-Top Stand.



- Do not put stress on the LCD panel or the frame around the screen.



TV with Floor Stand



TV with Table-Top Stand

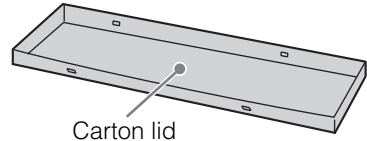


- If using an electric screwdriver, set the torque at approximately 1.5 N·m {15 kgf·cm}.

Before detaching the Floor Stand, perform the following steps.

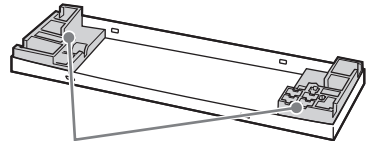
Place the carton lid on the floor.

1



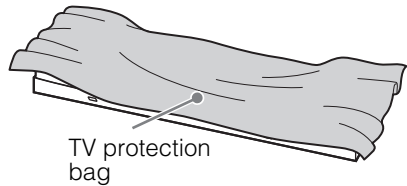
Place both lower corner cushions onto the carton lid.

2



Place the TV protection bag on top of the cushions.

3



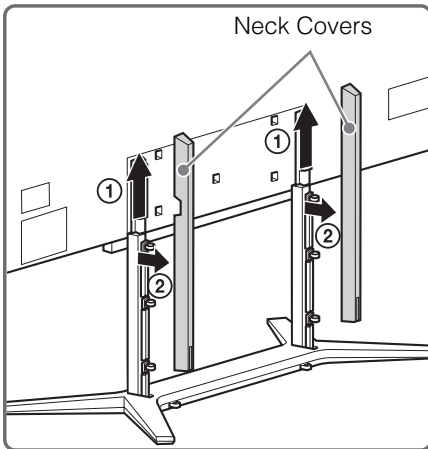


## Detaching the Floor Stand from the TV

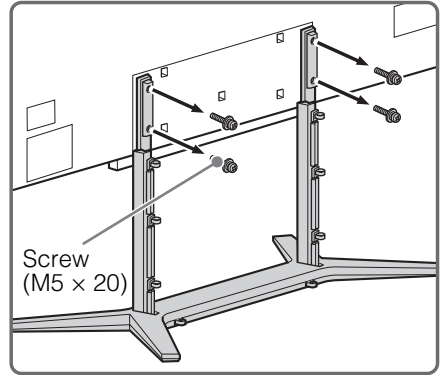


- Do not remove the Floor Stand for any reason other than to attach the Table-Top Stand or to install corresponding accessories on the TV.
- When installing the TV on a wall, remove the screws from the rear of the TV. (They are fastened in the screw holes for wall mounting.) Be sure to store the removed screws in a safe place, keeping them away from children.
- When attaching the Floor Stand again, be sure to fasten the screws (previously removed) to the original holes on the rear of the TV.

- 1 Slide the Neck Covers upward to remove them from the Floor Stand.



- 2 Remove the screws that attach the Floor Stand to the TV.

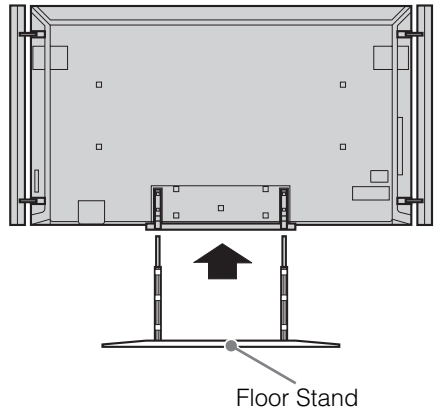


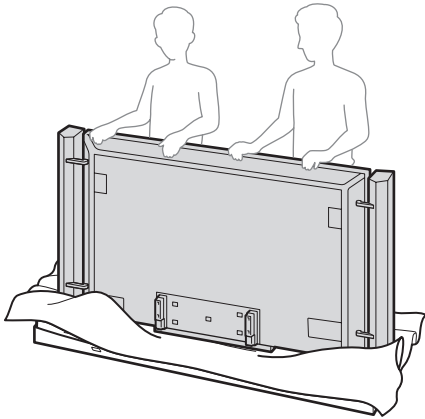
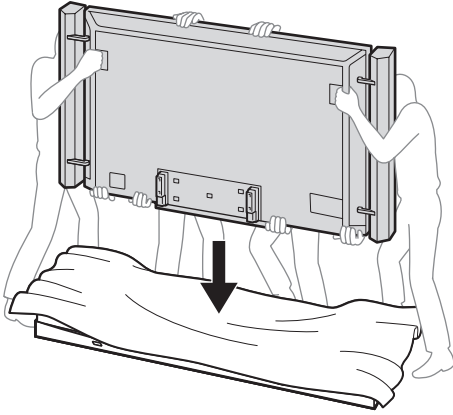
US



- Be sure to store the removed screws in a safe place. Reuse the screws when attaching the Table-Top Stand.

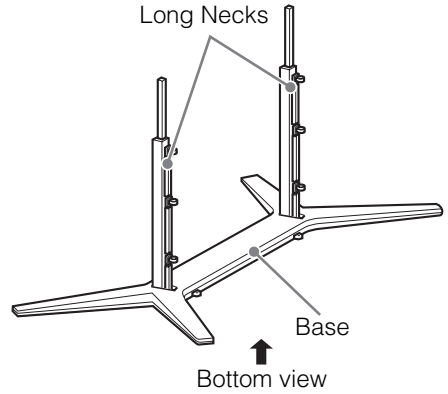
- 3 Detach the TV set from the Floor Stand, and place it in the carton lid. Support the TV set when changing the Necks to prevent it from tipping over.



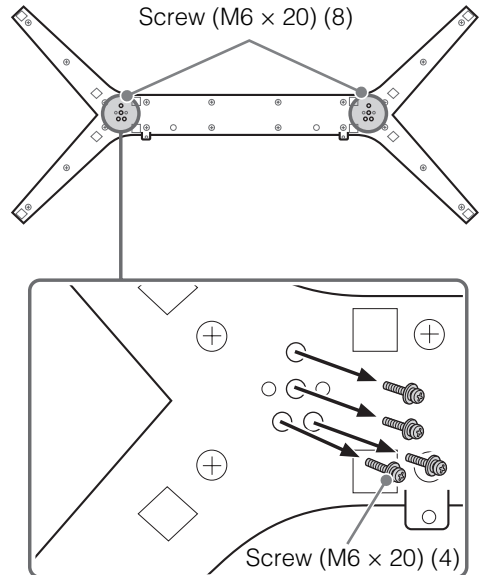


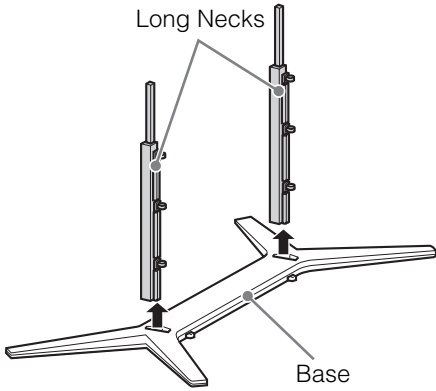
## Attaching the Table-Top Stand

- 1 Remove the screws from the bottom of the Floor Stand and detach the Long Necks from the Base.

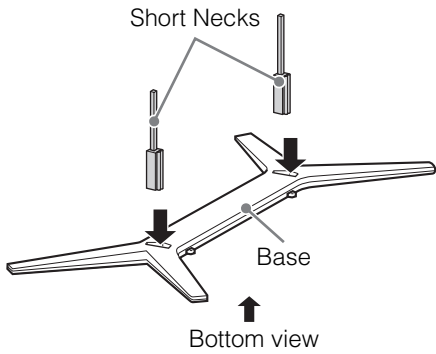


### Bottom view

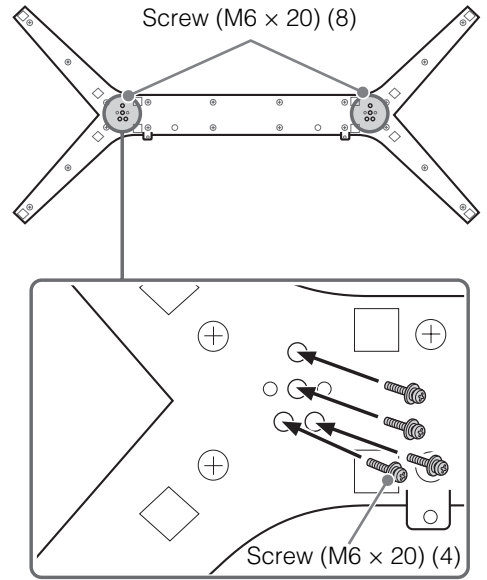




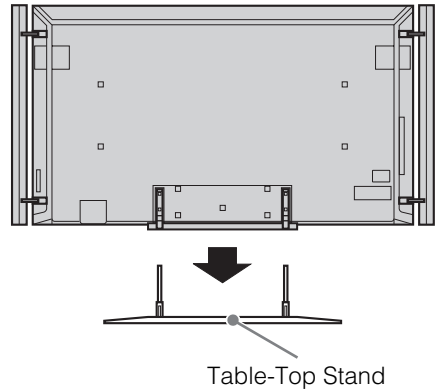
**2** Attach the Short Necks to the Base using the screws removed in step 1 of “Attaching the Table-Top Stand” (page 18).



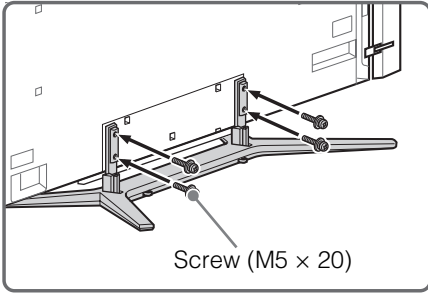
**Bottom view**



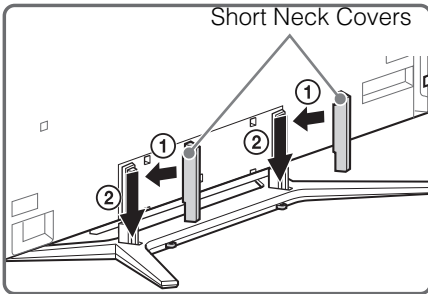
**3** Place the TV set on the Table-Top Stand.



- 4** Attach the Table-Top Stand using the screws previously removed in step 2 of “Detaching the Floor Stand from the TV” (page 17).

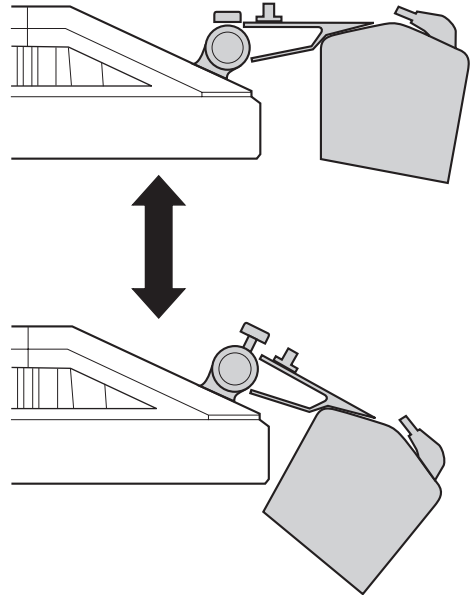
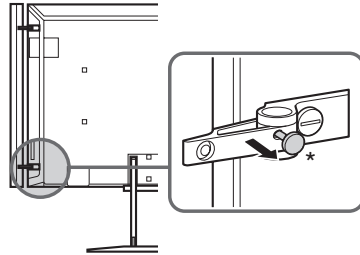


- 5** Attach the Short Neck Covers to the Table-Top Stand.



## 2: Adjusting the Speakers angle

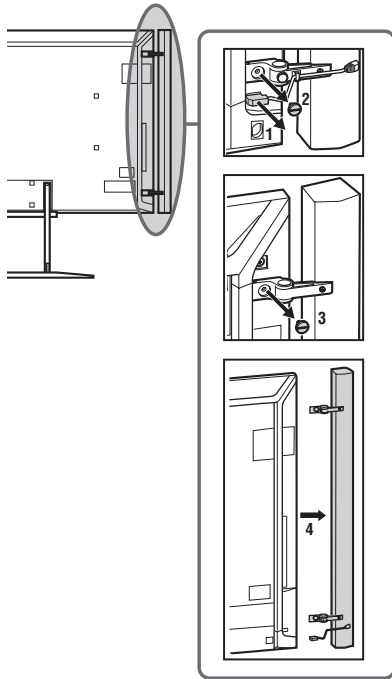
To access the terminals on the rear of the TV when it is mounted to a wall, adjust the Speakers angle by loosening the screw as indicated in the illustration.



\* Make sure the screw is tightened back after adjust the Speakers to the original angle.

## Detaching the Speakers from the TV

The Speakers can be detached from the TV if you wish to use a separate audio system (e.g. Home Theater System). Refer to the instructions below on how to detach the Speakers.



- 1** Disconnect the Speaker cable.
- 2** Remove the screw from the lower Speaker Joint.
- 3** Remove the screw from the upper Speaker Joint.
- 4** Pull the Speaker out horizontally to detach the Speaker.  
Repeat steps 1 to 4 to remove the other Speaker.

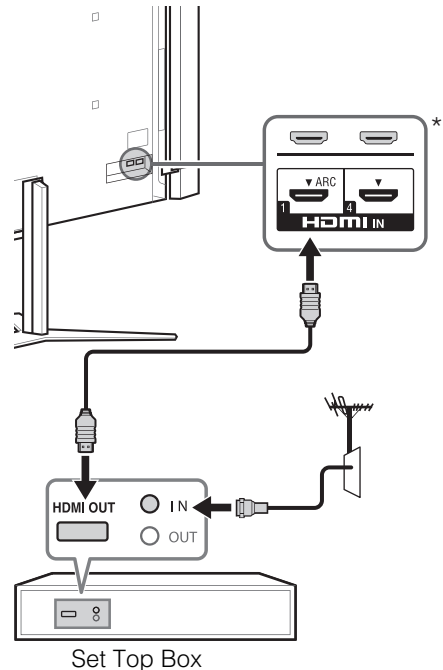
## 3: Connecting the TV



- Use an antenna cable connector no greater than 14 mm thick.
- Use an HDMI cable connector within 12 mm (thickness) × 21 mm (width).
- Use Sony HDMI cable with “High Speed” indication for HDMI connection.

US

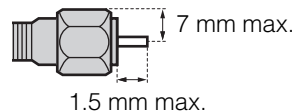
### ■ Shown with a Set Top Box with HDMI connection



\* Only HDMI 2 and HDMI 3 support 4K resolution (located at the side of the TV).

### Recommendation of the F type plug

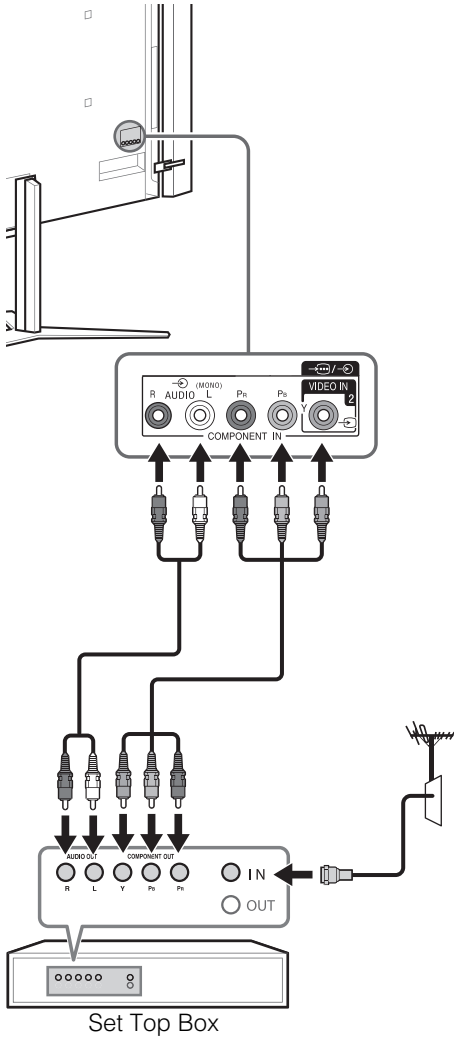
Projection of the inner wire from the connection part must be less than 1.5 mm.



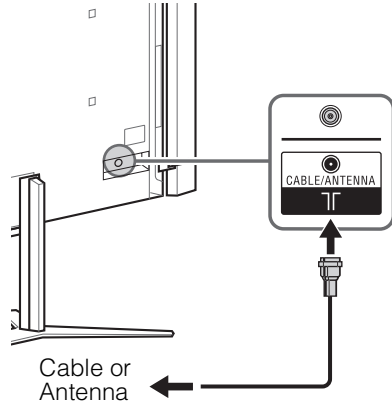
(Reference drawing of the F type plug)

(Continued) **21** US

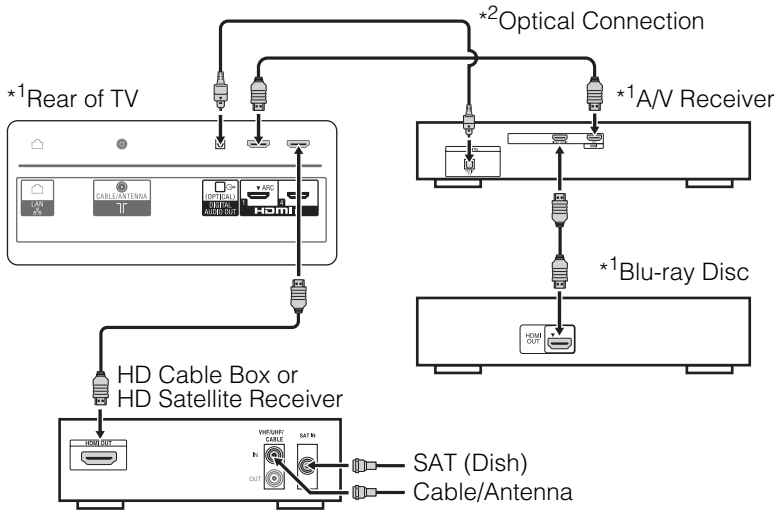
■ Shown with a Set Top Box with COMPONENT connection



■ Cable System or VHF/UHF Antenna System



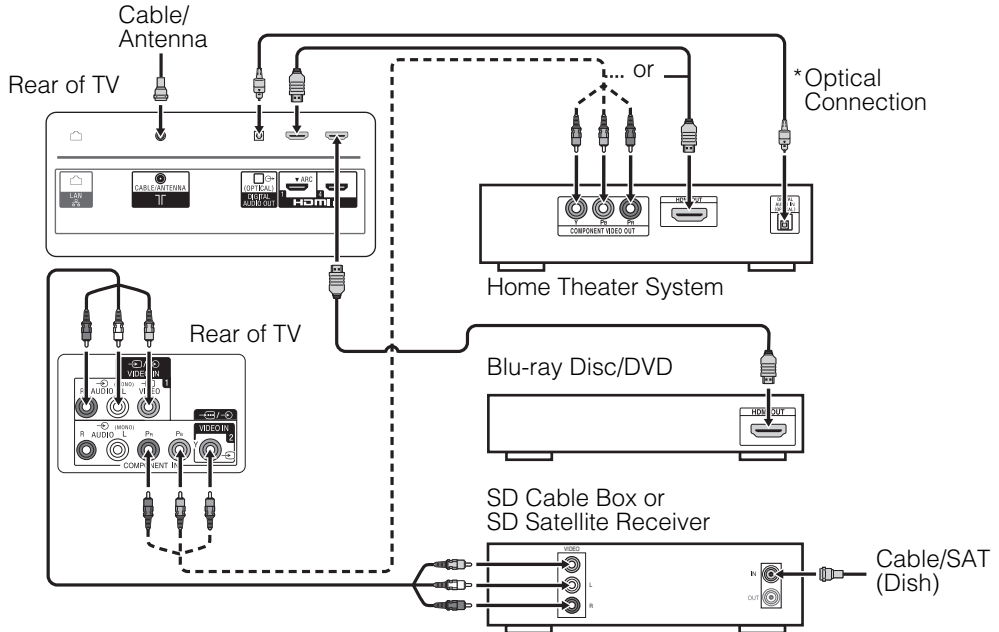
## ■ Shown with HD BRAVIA® Sync™ Basic Connection



\*1 Signifies a BRAVIA Sync capable device.

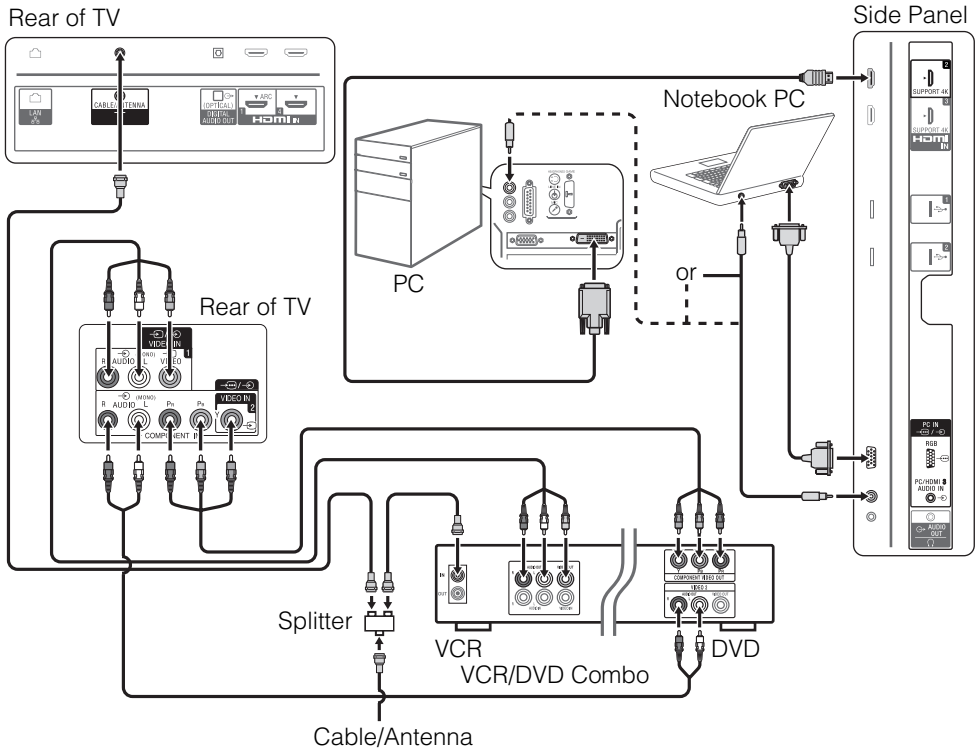
\*2 The optical connection is only needed for A/V receivers that do not support ARC (Audio Return Channel).

## ■ Shown with HD Basic Connection with Home Theater System



\* The optical connection is only needed for home theater system that do not support ARC (Audio Return Channel) when connecting with HDMI.

■ Shown with PC Connection with SD VCR/DVD





# 4: Securing the TV



Sony strongly recommends taking measures to prevent the TV from toppling over. Unsecured TVs may topple and result in property damage, serious bodily injury or even death.

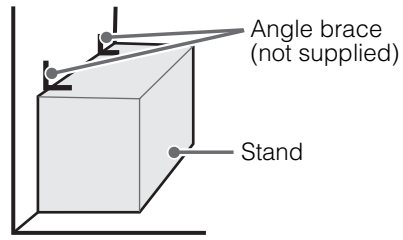
## Preventing the TV from Toppling

- Secure the TV to a wall and/or stand.
- Do not allow children to play or climb on furniture and TV sets.
- Avoid placing or hanging items on the TV.
- Never install the TV on:
  - slippery, unstable and/or uneven surfaces.
  - furniture that can easily be used as steps, such as a chest of drawers.
- Install the TV where it cannot be pulled, pushed, or knocked over.
- Route all AC power cords and connecting cables so that they are not accessible to curious children.

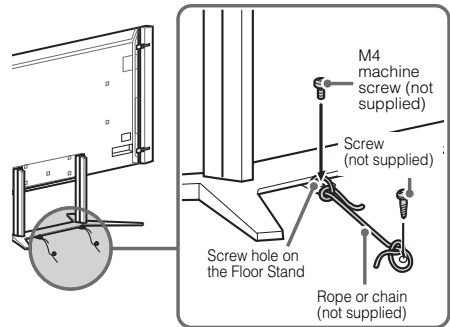
## Recommended Measures to Secure the TV

Consider the following measures when securing your TV to a Stand (not supplied) or floor.

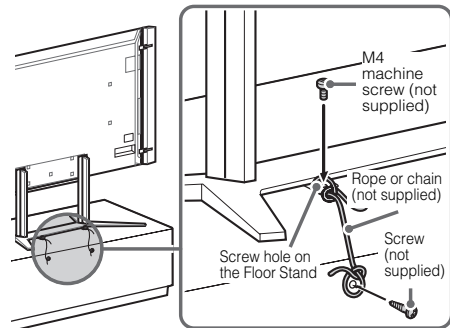
- 1** Secure the Stand for the TV.  
Make sure the Stand can adequately support the weight of the TV. Use two angle braces (not supplied) to secure the stand. For each angle brace use the appropriate hardware to:
  - Attach one side of the angle brace to the wall stud.
  - Attach the other side to the Stand.



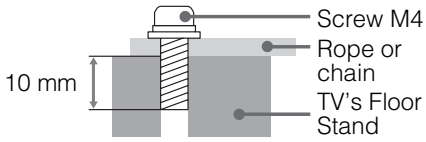
- 2** Secure the TV to the Stand or floor.  
Use the optional hardware listed as follows (not supplied):
  - M4 machine screw (screwed into the TV's Floor Stand)
  - A screw or similar (attach it to the Stand or floor)
  - Rope or chain (strong enough to support the weight of the TV). Make sure that there is no excess slack in the rope or chain.



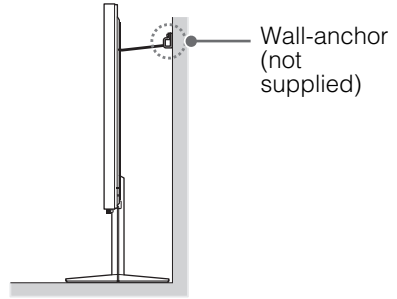
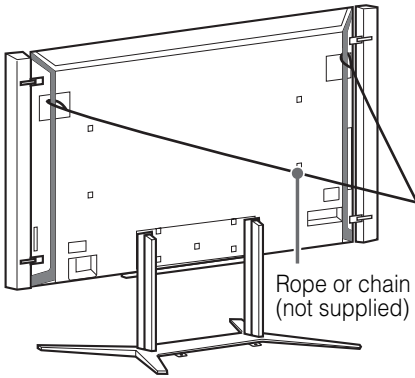
**OR**



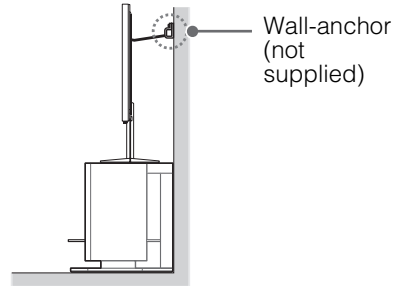
The length of the M4 machine screw differs depending on the rope or chain diameter. Please see below illustration.




- 3** Anchor the TV to the Wall.  
Anchor the TV to the wall by using wall anchor and chain (or rope).

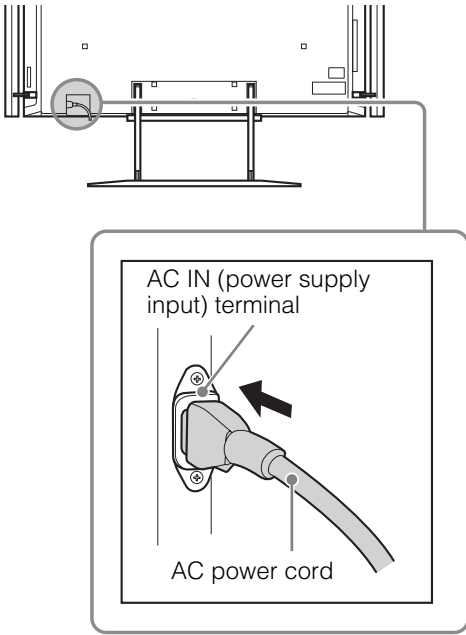


**OR**



-  Securing the TV to the stand without securing the TV and the stand to the wall provides minimum protection against the TV toppling over. For further protection, be sure to follow the three measures recommended.

## 5: Connecting the AC power cord



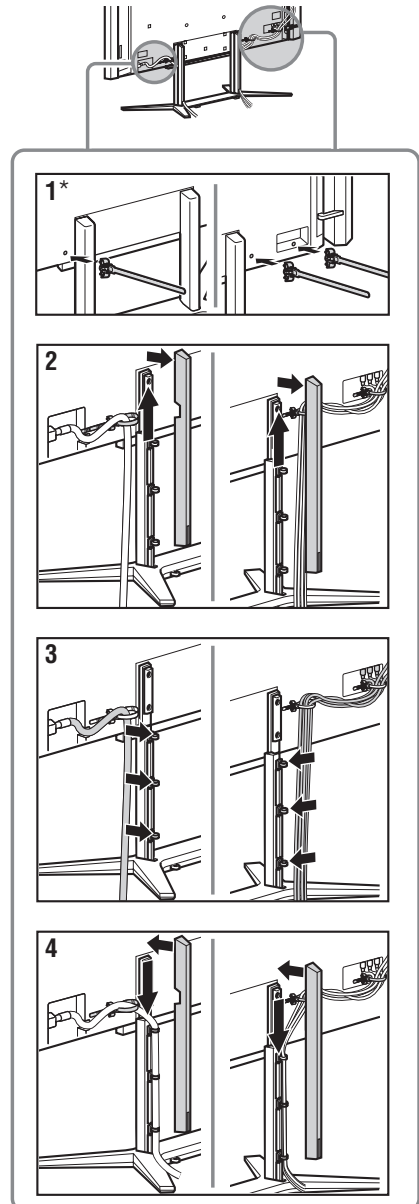
- Make sure that the AC power cord is fully inserted into the AC IN terminal.

## 6: Bundling the cables



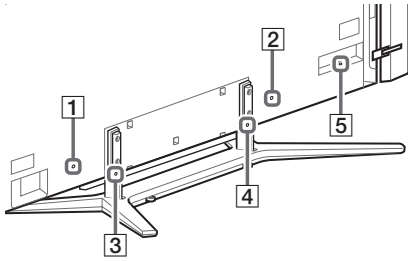
- Do not bundle the AC power cord together with other cables.

### Floor Stand

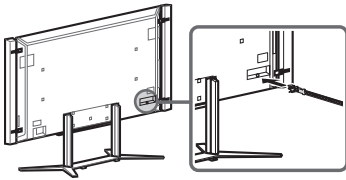


## Table-Top Stand

Use **1**, **2**, **3**, **4**, **5**\*



\* When installing on the wall, attach the cable holder under the terminals.



## 7: Connecting the TV to the Internet

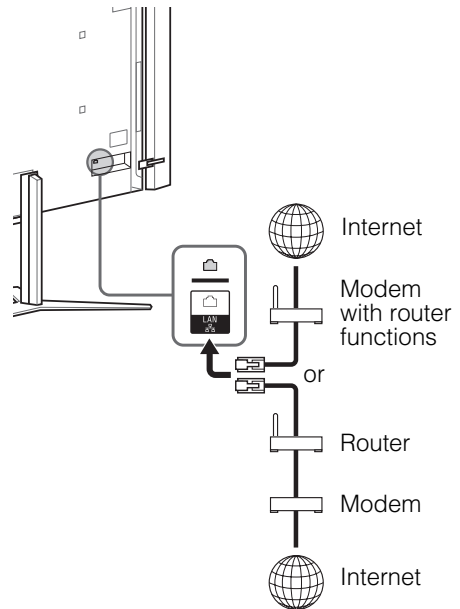
When you connect this TV to the Internet, you can enjoy multiple functions. For details on the functions, refer to the i-Manual.



- You will need to contract with an Internet service provider to connect to the Internet.

### Preparing a wired network

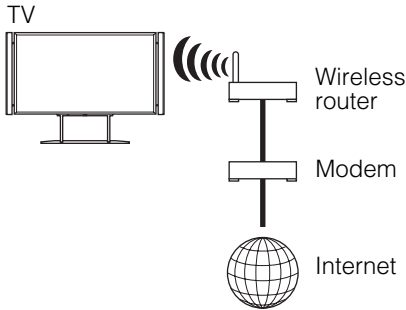
TV



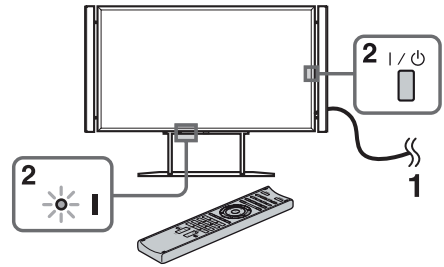
- For LAN connections, use a Category 7 cable (not supplied).

## Preparing a wireless LAN

The built-in wireless LAN device allows you to access the Internet and your home network. With this feature, you can connect to a wireless LAN and enjoy the benefits of networking in a cable-free environment. Before setting up the wireless LAN function of the TV, be sure to set up a wireless LAN router.



## 8: Running initial setup



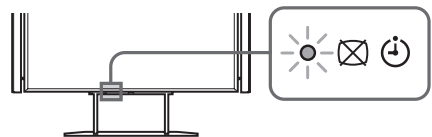
US

**1** Complete your cable connections before proceeding with the **Initial Setup**. Connect the TV to your nearest power outlet.

**2** Press **I**/**⏻** on the TV. The **I** (power) indicator will light up in green. When you switch on the TV for the first time, the Language menu appears on the screen.



- When you turn on the TV for the first time, the TV requires some internal processing for optimization before you can perform the initial setup. There will be no picture and sound, and the timer indicator on the front of the TV blinks orange for about 40 seconds. Do not turn off the TV during this process. This process has been completed at the factory for some TVs.



- 3** Press  $\leftarrow/\rightarrow/\uparrow/\downarrow$  to select an item, then press  $\oplus$ .  
Follow the instructions on the screen.



- **Home** mode sets the TV to settings optimized for home viewing.

- 4** Select **Continue** to scan for available channels and enable the **Rovi On Screen Guide™** feature. If you receive channels from a cable box or satellite receiver and do not wish to use the TV's built-in tuner, select **Skip**.  
Selecting **Skip** will disable the **Rovi On Screen Guide** feature, which is only available when the TV's tuner is used.



- If you skip the channel scan while in the setup menus, Rovi On Screen Guide will be disabled.

- 5** Set up the Internet settings. Select **Auto** to connect to the network automatically. Select **Custom** to connect manually. If you do not access the Internet, or to set up later, select **Skip**.



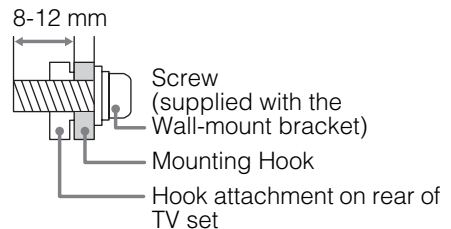
- If you use WEP security, select **Custom** → **Wireless Setup** → **Scan**. Then, select the network name (SSID) you want to connect. If you cannot find the required network name, select [**Manual Entry**] and press  $\oplus$  to enter network name.
- Use the optional USB Wireless LAN Adapter to connect with your wireless router (or access point) at 5GHz. Insert USB Wireless LAN Adapter and set **Standby for Wi-Fi Direct** to **Off**. Press **HOME**, then select **Settings** → **Network** → **Standby for Wi-Fi Direct** → **Off**.
- To set **Network Setup** later, press **HOME**, then select **Settings** → **Network** → **Network Setup**.

## Using a Wall-Mount Bracket

Your TV can be mounted on a wall using a Wall-Mount Bracket (not supplied) out of the box as packaged. If the Floor Stand is attached to the TV, the TV may require detaching the Floor Stand; see page 17 (Detaching the Floor Stand from the TV). Prepare the TV for the Wall-Mount Bracket before making cable connections.

**For product protection and safety reasons, Sony strongly recommends that you use the Wall-Mount Bracket designed for your TV and the installation should be performed by a Sony dealer or licensed contractor.**

- See page 5 (Compatible Wall-Mount Bracket Information).
- Follow the instruction guide provided with the Wall-Mount Bracket for your model. Sufficient expertise is required in installing this TV, especially to determine the strength of the wall for withstanding the TV's weight.
- Be sure to use the screws supplied with the Wall-mount bracket when attaching the mounting hooks to the TV set. The supplied screws are designed so that they are 8 mm to 12 mm in length when measured from the attaching surface of the mounting hook. The diameter and length of the screws differ depending on the Wall-mount bracket model. Use of screws other than those supplied may result in internal damage to the TV set or cause it to fall, etc.



- Be sure to store the unused screws and Floor Stand in a safe place until you are ready to attach the Floor Stand. Keep the screws away from small children.



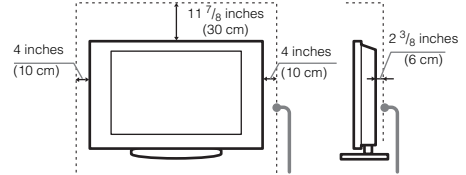
- See page 4-10 for additional safety information.

# Installing the TV Against a Wall or Enclosed Area

Make sure that your TV has adequate ventilation. Allow enough space around the TV as shown in the illustration.

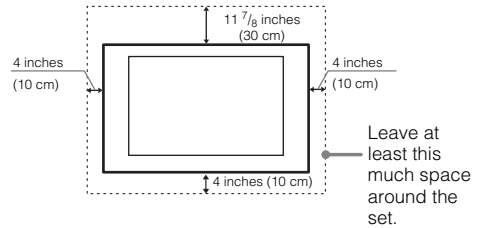
US

## Installed with stand



Leave at least this much space around the set.

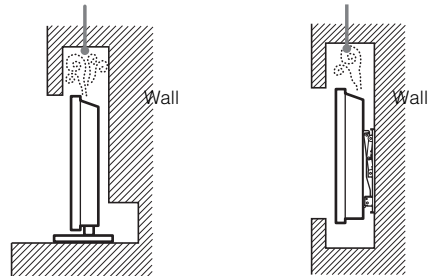
## Installed on the wall



Leave at least this much space around the set.

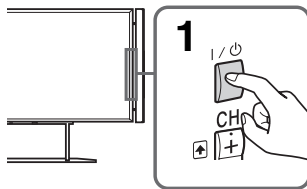
Never install the TV set as follows:

Air circulation is blocked.      Air circulation is blocked.



- Inadequate ventilation can lead to overheating of the TV and may cause damage to your TV or cause a fire.

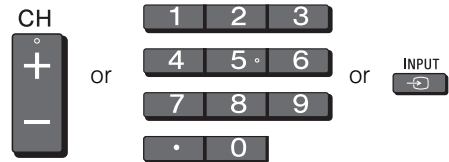
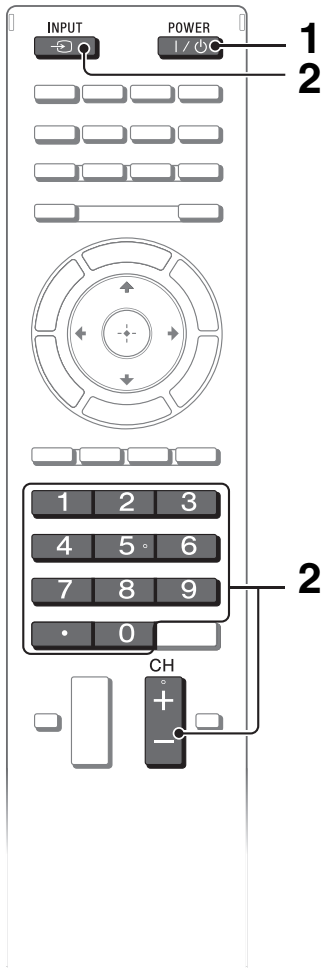
# Watching TV



## 1 Turn on the TV.

Press **I/O** on the TV or remote control to turn on the TV.

## 2 Select a TV channel or select an input.



### ■ To select digital channels

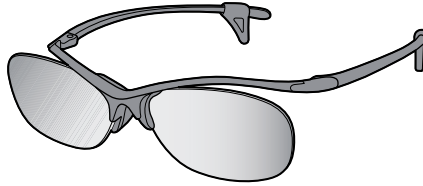
Use **0-9** and **.**. For example, to enter channel 2.1:

Press **2**, **.** and **1**, then press **⊕**.



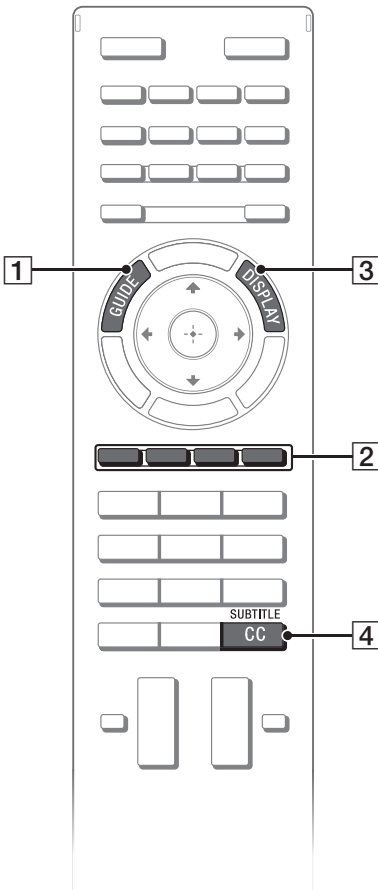
## Watching 3D contents

This feature lets you experience powerful 3D entertainment, such as stereoscopic 3D games and 3D Blu-ray Disc. Refer to the i-Manual on how to set the 3D settings or watch the 3D contents.



US

## Frequently used buttons



### 1 **GUIDE**

Displays the Rovi On Screen Guide for program listing information.

### 2 **Color buttons**

When the color buttons are available, an operation guide appears on the screen.

### 3 **DISPLAY**

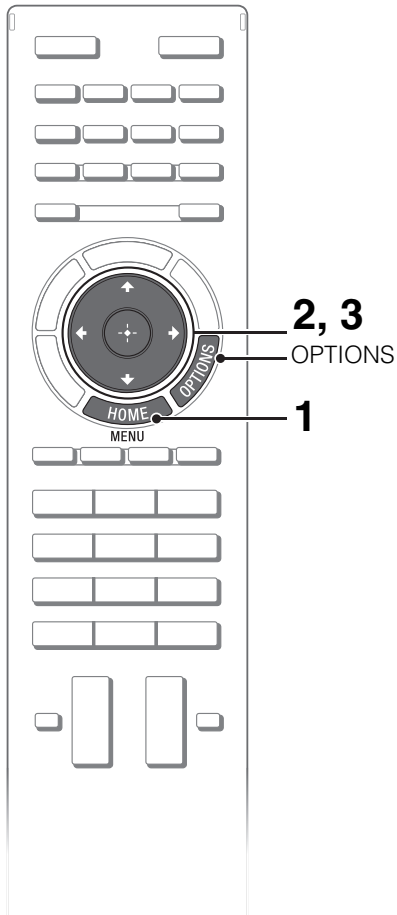
Displays channel number, details of programs, and the clock.

### 4 **SUBTITLE/CC**

You can turn closed captions/subtitles on/off.

# Selecting various functions and settings (Home Menu)

You can select the features of your TV from the Home menu.



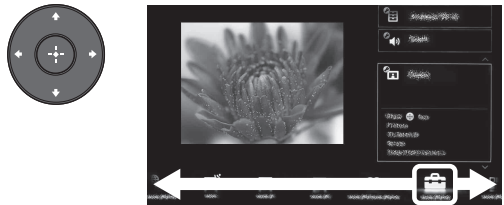
Here is an example on how to select an item and modify the TV settings.

## 1 Press HOME.



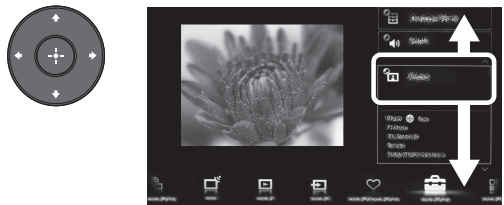
## 2 Press $\leftarrow/\rightarrow$ to select (Settings) category.

The contents of **Settings** are displayed on the right.



See page 36 (Category list) for all categories.

## 3 Press $\uparrow/\downarrow$ to select **Picture & Display**, then press $\oplus$ .



## 4 Modify the settings.

■ **To exit the Home menu**

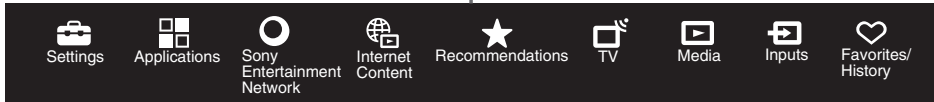
Press **HOME**.

■ **To select using the OPTIONS button**










Press **OPTIONS**.

A list of convenient functions and menu shortcuts are displayed. The menu items vary based on the current input and/or content.

## Category list

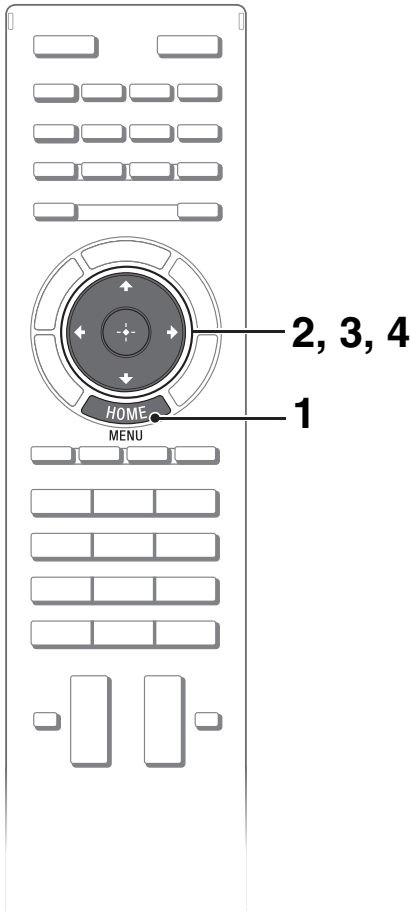


The categories are available depending on your region and country.

	<b>Settings</b>	Provides settings (e.g. picture settings, sound settings, key tone setting) that allow you to customize your TV.
	<b>Applications</b>	Launches applications that require an Internet connection.
	<b>Sony Entertainment Network</b>	Enables selection of content from the online service <b>SEN</b> (Sony Entertainment Network).
	<b>Internet Content</b>	Enables access to Internet services for TV.
	<b>Recommendations</b>	Provides suggestions for noteworthy content.
	<b>TV</b>	Allows you to select a list of TV channels, or a program guide.
	<b>Media</b>	Enables selection of media files (photo, music, video) to play in a connected USB storage device or your home network.
	<b>Inputs</b>	Enables selection of devices connected to the TV.
	<b>Favorites/History</b>	Displays items in Favorites and recently viewed items.

# Watching Internet Video

This feature serves as a gateway to Internet content, delivering a variety of on-demand entertainment straight to your TV. You can enjoy video content, including movies and cartoons. You will need to make a broadband Internet connection. For details, see page 28 (7: Connecting the TV to the Internet).

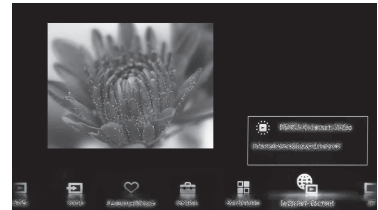


## 1 Press HOME.

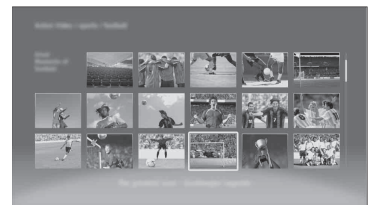


## 2 Press $\leftarrow/\rightarrow$ to select (Internet Content) category.

## 3 Press $\uparrow/\downarrow$ to select Internet Video, then press $\oplus$ .



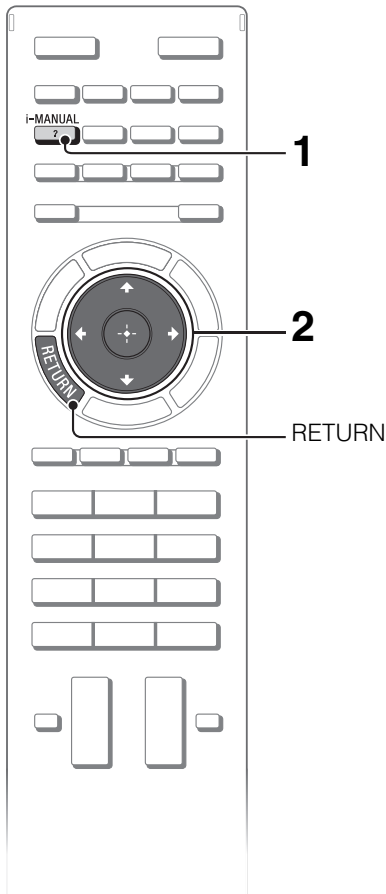
## 4 Press $\uparrow/\downarrow/\leftarrow/\rightarrow$ to highlight the desired content, then press $\oplus$ .



- If you experience difficulties with this feature, check that the Internet connection is set up properly.
- The interface to Internet content depends on the Internet content providers.
- Services block video content based on the **Parental Lock** setting of the TV. Some service providers do not support this function.
- To update Internet Video content services, press **HOME**, then select **Settings** → **Network** → **Refresh Internet Content**.

# Looking for instructions in the electronic manual (i-Manual)

Operating instructions are built into your BRAVIA TV and can be displayed on the screen. To learn more about your TV features, access your i-Manual with the touch of a button.

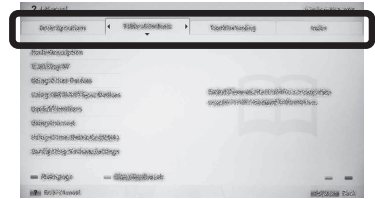


## 1 Press i-MANUAL.

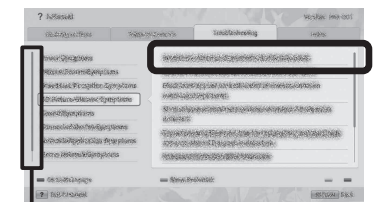


## 2 Select an item.

1 Press  $\leftarrow/\rightarrow$  to select an item.



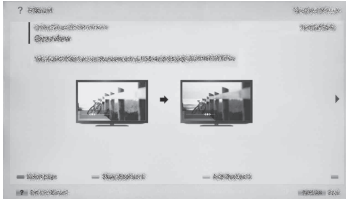
2 Press  $\uparrow/\downarrow/\leftarrow/\rightarrow$  to select an item, then press  $\oplus$ .



Scroll bar\*

\* If a scroll bar appears, press  $\downarrow$  repeatedly to display more items.

The page of the selected item appears.



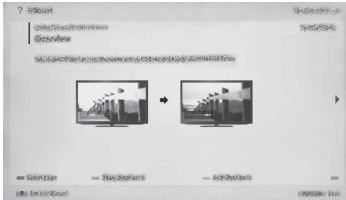
- You can step through pages using  $\leftarrow/\rightarrow$ . Press **RETURN** to return to the previous page.

## Saving frequently viewed pages (Bookmark)

You can save frequently viewed pages for easy access anytime.

### ■ To save a page

In the page to bookmark, press the red button on the remote control.



### ■ To access the bookmarked page

When displaying the i-Manual, press the blue button on the remote control to display the bookmark list. Press  $\leftarrow/\rightarrow$  to select the desired item, then press  $\oplus$ .



US



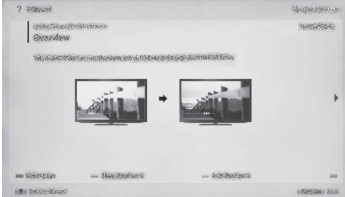
- To return to the previous page, press  $\leftarrow$ .

### ■ To remove a bookmark

When the bookmarked page is displayed, press the red button on the remote control.

## Displaying the page again while operating the TV

You can switch between the i-Manual screen and the TV screen. This feature allows you to refer to the instructions in the i-Manual while using your BRAVIA TV. Press **i-MANUAL** to switch between the i-Manual screen previously displayed and the TV screen.



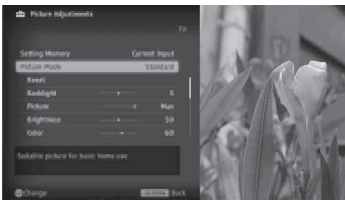
i-Manual screen previously displayed



**i-MANUAL**  
?



BRAVIA TV screen

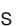


- To jump to the top page of i-Manual, press the yellow button on the remote control. You can also press **HOME**, then select **Settings** → **i-Manual** to jump to the top page of i-Manual.
- Once you turn off the TV or the TV goes to standby mode, the i-Manual will be displayed from the top page when you select **i-Manual**.



# Troubleshooting

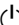


## When the (standby) indicator is flashing, count how many times it flashes (interval time is three seconds).

Press  on the TV to turn it off, disconnect the AC power cord, and contact Sony Customer Support (information provided on the front cover) with how many times the indicator flashes.

## When the (standby) indicator is not flashing, check the items in the table as follows.

Also refer to “Troubleshooting” in the i-Manual. If the problem persists, contact Sony Customer Support (information provided on the front cover).

US

Condition	Explanation/Solution
There is no picture (screen is dark) and no sound.	<ul style="list-style-type: none"><li>• Check the antenna/cable connection.</li><li>• Connect the TV to the AC power, and press  on the TV.</li><li>• If the  (standby) indicator lights up in red, press  on the remote control.</li></ul>
Tiny black dots and/or bright dots appear on the screen.	<ul style="list-style-type: none"><li>• The screen is composed of pixels. Tiny black dots and/or bright dots (pixels) on the screen do not indicate a malfunction.</li></ul>
Some programs cannot be tuned.	<ul style="list-style-type: none"><li>• Check the antenna or dish.</li></ul>
The TV turns off automatically (the TV enters standby mode).	<ul style="list-style-type: none"><li>• Check if the <b>Sleep Timer</b>, <b>Timer</b>, or <b>Idle TV Standby</b> is activated.</li><li>• The <b>Auto Shut-off</b> setting may be set to <b>On</b>. If <b>Auto Shut-off</b> is activated and TV receives no signal, the TV will automatically enter standby mode in 15 minutes. Check <b>Auto Shut-off</b> is activated under <b>Eco</b> feature of this TV.</li></ul>
The remote control does not function.	<ul style="list-style-type: none"><li>• Replace the batteries.</li><li>• Your TV may be in SYNC mode. Press <b>SYNC MENU</b>, select <b>TV Control</b> and then select <b>Home (Menu)</b> or <b>Options</b> to control the TV.</li></ul>
The <b>Parental Lock</b> password has been forgotten.	<ul style="list-style-type: none"><li>• Enter 4357 for the PIN code. (PIN code 4357 is always accepted.)</li></ul>
The TV and its surrounding become warm.	<ul style="list-style-type: none"><li>• When the TV is used for an extended period of time, the TV and its surroundings may become warm to touch. This is not a malfunction of the TV.</li></ul>



When viewing photo files in 4K resolution:

- The menu screen, operation guide or messages may not appear when displaying photos.
- To finish playback of photos, press **RETURN**, or switch the input by pressing .

# How to Care for Your BRAVIA TV

Safety is very important. Please read and follow the safety information included in this manual (see page 4-10).

Unplug the TV and other connected equipment from the wall outlet before you begin cleaning your TV.

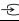









- Wipe the LCD screen gently with a soft cloth.
- Stubborn stains may be removed with a cloth slightly moistened with a solution of mild soap and warm water.
- If using a chemically pretreated cloth, please follow the instruction provided on the package.
- Never spray water or detergent directly on the TV set. It may drip to the bottom of the screen or exterior parts and enter the TV set, and may cause damage to the TV set.
- Never use strong solvents such as a thinner, alcohol or benzene for cleaning.
- Do not plug in the TV into the wall outlet until the moisture from cleaning has evaporated.

The TV should also be placed on a stable surface to prevent it from toppling over (see page 25). If you have young children or pets at home, check regularly to ensure the TV is securely fastened.



# Specifications

US

<b>System</b>	
Television system	NTSC: American TV standard ATSC (8VSB terrestrial): ATSC compliant 8VSB QAM on cable: ANSI/SCTE 07 2000 (Does not include CableCARD functionality)
Channel coverage	Analog terrestrial: 2 - 69 / Digital terrestrial: 2 - 69 Analog Cable: 1 - 135 / Digital Cable: 1 - 135
Panel system	LCD (Liquid Crystal Display) Panel
Speaker output	12.5 W + 12.5 W + 12.5 W + 12.5 W
<b>Input/Output jacks</b>	
CABLE/ANTENNA	75-ohm external terminal for RF inputs
 /  VIDEO IN 1	Video / Audio input (phono jacks)
 /  COMPONENT IN	YPbPr (Component Video): 1080p (60 Hz), 1080i (60 Hz), 720p (60 Hz), 480p, 480i Audio input (phono jacks)
 VIDEO IN 2	Video input (common phono pin with Y input)
HDMI IN 1/2/3/4 (Only HDMI 2 and HDMI 3 support 4K resolution)	Video (2D): HDMI 1, 4: 1080p (30, 60 Hz), 1080/24p, 1080i (60 Hz), 720p (30, 60 Hz), 720/24p, 480p, 480i, PC Formats HDMI 2, 3: 3840 × 2160p (24, 25, 30 Hz), 4096 × 2160p (24 Hz), 1080p (30, 60 Hz), 1080/24p, 1080i (60 Hz), 720p (30, 60 Hz), 720/24p, 480p, 480i, PC Formats Video (3D): Frame Packing 1080p (30 Hz), 1080/24p, 1080i (60 Hz), 720p (30, 60 Hz), 720/24p Side-by-Side 1080p (60 Hz), 1080/24p, 1080i (60 Hz), 720p (60 Hz) Over-Under 1080p (30, 60 Hz), 1080/24p, 1080i (60 Hz), 720p (60 Hz) Audio: Two channel linear PCM: 32, 44.1 and 48 kHz, 16, 20 and 24 bits, Dolby Digital Analog audio input (stereo mini jack) (HDMI IN 3 only, common with PC IN) ARC (Audio Return Channel) (HDMI IN 1 only)
 AUDIO OUT/Headphones	Stereo mini jack
 DIGITAL AUDIO OUT (OPTICAL)	Digital optical jack (Two channel linear PCM, Dolby Digital)
 PC IN  PC/HDMI 3 AUDIO IN	Analog RGB (Mini D-sub 15-pin) Audio input (stereo mini jack) (common with HDMI IN 3)
 LAN	10BASE-T/100BASE-TX connector (Connection speed may differ depending on the network environment. 10BASE-T/100BASE-TX communication rate and communication quality are not guaranteed for this TV.)
USB/DLNA	Refer to the i-Manual for supported format.
REMOTE	RS232C, D-sub 9 pin. This jack is for receiving the external control signal.

<b>Model name XBR-</b>		<b>84X900</b>	
<b>Power and others</b>			
Power requirement		110-240 V AC, 50/60 Hz (U.S.A./Canada 120 V AC, 60 Hz)	
Power consumption	in use	569 W	
	in DAM* <sup>1</sup>	0.02 kWh/Day (You may hear a clicking noise during the download but this is normal.)	
	in standby	Less than 0.2 W with 120 V AC and less than 0.3 W with 240 V AC	
Screen size* <sup>2</sup> (inches measured diagonally)		84 inches	
Display resolution		3,840 dots (horizontal) × 2,160 lines (vertical)	
Dimensions* <sup>2</sup>	TV with Floor Stand (mm)	2,137 × 1,511 × 567	
	(inches)	84 1/4 × 59 1/2 × 22 3/8	
	TV with Table-Top Stand (mm)	2,137 × 1,209 × 567	
	(inches)	84 1/4 × 47 1/2 × 22 3/8	
	TV without Floor Stand/ Table-Top Stand (mm)	2,137 × 1,136 × 90	
	(inches)	84 1/4 × 44 3/4 × 3 5/8	
	Monitor with Floor Stand (mm)	1,926 × 1,511 × 567	
	(inches)	75 7/8 × 59 1/2 × 22 3/8	
Mass* <sup>2</sup>	Monitor with Table-Top Stand (mm)	1,926 × 1,209 × 567	
	(inches)	75 7/8 × 47 1/2 × 22 3/8	
	Monitor without Floor Stand/ Table-Top Stand (mm)	1,926 × 1,136 × 79	
	(inches)	75 7/8 × 44 3/4 × 3 1/8	
	wall-mount hole pattern (mm)	400 × 400	
	wall-mount screw size (mm)	M6 (length: see diagram on page 30.)	
	TV with Floor Stand (kg)/(lb.)	97.9 / 215.7	
	TV with Table-Top Stand (kg)/(lb.)	95.2 / 209.7	
Supplied accessories	TV without Floor Stand/ Table-Top Stand (kg)/(lb.)	80.0 / 176.3	
	Monitor with Floor Stand (kg)/(lb.)	90.5 / 199.4	
	Monitor with Table-Top Stand (kg)/(lb.)	87.8 / 193.4	
	Monitor without Floor Stand/ Table-Top Stand (kg)/(lb.)	72.7 / 160.2	
	Supplied accessories		See page 14 (Checking the accessories).
	Optional accessories		Connecting cables Wall-Mount Bracket: SU-WL500 Camera and Microphone Unit: CMU-BR100 USB Wireless LAN Adapter: UWA-BR100
Operating temperature		32 °F – 104 °F (0 °C – 40 °C)	

\*1 Download Acquisition Mode (DAM) is used for software updates and/or collecting data for Rovi On Screen Guide.

\*2 Screen size, dimensions and mass are approximate values.

- Optional accessories availability depends on countries/region/TV model/stock.
- Design and specifications are subject to change without notice.

# END USER LICENSE AGREEMENT

## FOR CERTAIN SOFTWARE AND SERVICE TO BE USED WITH YOUR SONY PRODUCT

### **IMPORTANT – READ THIS AGREEMENT BEFORE USING YOUR SONY PRODUCT. USING YOUR PRODUCT INDICATES YOUR ACCEPTANCE OF THIS AGREEMENT.**

This End User License Agreement (“EULA”) is a legal agreement between you and Sony Electronics Inc. (“Sony”), the licensor of the software (other than the software which is governed by other licenses as indicated below, the “Excluded Software”) included in this Sony Product and related materials which shall be collectively referred to as the “Sony Software.” This EULA covers the Sony Software and that of Sony’s third party licensors (“Third Party Licensors”) and accompanying printed or online documentation. The Sony Software includes software in your Sony Product, other software, including updates or modified software, provided to you by Sony, whether stored on media or downloaded to the Sony Product via any method.

This Sony Product also includes the Sony Entertainment Network feature which provides access to selected content services (“Services”) from third party content providers including Sony entities other than Sony Electronics Inc. (“Third Party Providers”) as a courtesy to you. The Sony Entertainment Network feature also provides you access to selected Sony content services (“Sony Content Services”), which services and related content (“Sony Content”) shall both be considered Sony Software under this EULA. The Sony Entertainment Network feature requires an Internet connection. Your ability to access the Services, and the quality of the Services presented, are subject to your Internet provider’s service and terms as well as the broadband Internet connection speed you use. Your ability to access the Services, and the quality of the Services presented, are subject to your Internet provider’s service and terms. Video quality and picture size

varies and is dependent upon the speed of your broadband service from your Internet provider and delivery by the Third Party Providers. The content, including but not limited to data, music, sound, audio, photographs, images, graphics, likenesses, software, text, video, messages, tags, or other materials, provided by Third Party Providers (“Content”) and the availability of the Services are at the sole discretion and under the control of the Third Party Providers. The Content and Services of each Third Party Provider are provided pursuant to the terms and conditions of that Third Party Provider. Premium Content may require additional fees and/or registration with the Third Party Provider through a computer. The Services and the Content may only be used for your own personal, private viewing, and shall not be used for non-theatrical exhibition, or any viewing or exhibition for which (or in a venue in which) an admission, access, or viewing fee is charged, or for any public exhibition or viewing. The Services may be changed at any time and may be unavailable from time to time.

**THE SONY SOFTWARE AND THE SERVICES  
MAY ALLOW SONY, THE THIRD PARTY  
PROVIDERS, AND/OR OTHER THIRD  
PARTIES TO COLLECT DATA FROM,  
CONTROL, AND/OR MONITOR THE SONY  
PRODUCT AND OTHER DEVICES RUNNING  
OR INTERACTING WITH THE SONY  
SOFTWARE. YOU HEREBY CONSENT TO  
SUCH ACTIVITIES. YOU ALSO AGREE TO  
SONY’S CURRENT PRIVACY POLICY THAT  
IS AVAILABLE AT [HTTP://  
PRODUCTS.SEL.SONY.COM/SEL/LEGAL/  
PRIVACY.HTML](http://PRODUCTS.SEL.SONY.COM/SEL/LEGAL/PRIVACY.HTML). SUCH PRIVACY POLICY  
MAY CHANGE FROM TIME TO TIME;  
PLEASE CONSULT THE ABOVEMENTIONED  
LINK FOR ANY UPDATES TO THE POLICY.  
PLEASE CONTACT APPLICABLE THIRD  
PARTY PROVIDERS OR OTHER THIRD  
PARTIES FOR PRIVACY POLICIES RELATED**

US

**TO THEIR SERVICES. BY USING YOUR SONY PRODUCT, YOU AGREE TO BE BOUND BY THE TERMS OF THIS EULA AND SONY'S PRIVACY POLICY.** If you do not agree to the terms of this EULA or Sony's privacy policy, as amended from time to time by Sony in its discretion, Sony is unwilling to license the Sony Software to you and unwilling to allow you to access the Services, and you should promptly contact Sony for instructions on the return of the entire Sony Product and included Sony Software for a refund of the purchase price of the Sony Product.

### **SOFTWARE LICENSE**

You cannot use the Sony Software except as specified herein. The Sony Software is licensed, not sold. Sony and its Third Party Licensors grant you a limited license to use the Sony Software only on the Sony Product. The Sony Software may create data files automatically for use with the Sony Software, and you agree that any such data files are deemed to be a part of the Sony Software. The Sony Software is licensed as a single product, and you may not separate its component parts for use on more than one device unless expressly authorized by Sony. You agree not to modify, reverse engineer, decompile or disassemble the Sony Software in whole or in part or to use the Sony Software in whole or in part for any purpose other than allowed under this EULA. In addition, you may not rent, lease, sublicense, or sell the Sony Software, but you may transfer all of your rights under this EULA only as part of a sale or transfer of the Sony Product provided you retain no copies, transfer all of the Sony Software (including all copies, component parts, any media, printed materials, all versions and any upgrades of the Sony Software, and this EULA), and the recipient agrees to the terms of this EULA. Sony and its Third Party Licensors retain all rights that this EULA does not expressly grant to you. You shall not (a) bypass, modify, defeat, or circumvent any of the functions or protections of the Sony Software or any mechanisms

operatively linked to the Sony Software; or (b) remove, alter, cover, or deface any trademarks or notices on the Sony Software. You understand, acknowledge, and agree that the software, network services, or other products other than the Sony Software upon which the Sony Software's performance may depend might be interrupted or discontinued at the discretion of the suppliers (software suppliers, service providers, Third Party Providers, etc.) or Sony.

### **USER ACCOUNT**

As part of the agreement to allow you to access, browse, or use the Services and the Content, Third Party Providers and/or other third parties may require that you establish a user account ("Account") for which you must provide them with true, accurate, current, and complete information about yourself and maintain/promptly update such information. You are responsible for maintaining the confidentiality of any and all of your passwords associated with any such Account.

### **SONY'S RIGHTS TO USER'S MATERIAL**

If you send any communications or materials to Sony by electronic mail or otherwise ("Materials"), including any selections, comments, data, questions, suggestions, or the like, all such Materials are, and will be treated as, non-confidential and non-proprietary. Thus, you give up any claim that use of such Materials violates any of your rights including moral rights, privacy rights, proprietary or other property rights, rights of publicity, rights to credit for material or ideas, or any other right, including the right to approve the way Sony uses such Materials. Any Material may be adapted, broadcast, changed, copied, disclosed, licensed, performed, posted, published, sold, transmitted, or used by Sony anywhere in the world, in any medium, forever and without attribution or compensation to you. Furthermore, you hereby assign all right, title, and interest in, and Sony is free to use, without any compensation to you, any ideas, know-how, concepts, techniques, or other intellectual property rights contained in the

Materials, whether or not patentable, for any purpose whatsoever, including but not limited to developing, manufacturing, having manufactured, licensing, marketing, and selling products using such Materials. However, you agree and understand that Sony is not obligated to use any such ideas, know-how, concepts, or techniques or Materials, and you have no right to compel such use.

### **TRANSMITTED MATERIAL**

Internet transmissions are never completely private or secure. You understand that any message or information you send to Sony may be read or intercepted by others, unless there is a special notice that a particular message (for example, credit card information) is encrypted (sent in code). Sending a message to Sony does not cause Sony to have any special responsibility to you.

### **DIGITAL RIGHTS MANAGEMENT**

Content owners use Windows Media digital rights management technology (“WMDRM”) to protect their intellectual property, including copyrights. This Sony Product uses WMDRM software to access WMDRM-protected Content. If the WMDRM software fails to protect the Content, Content owners may ask Microsoft Corporation (“Microsoft”) to revoke the Service’s ability to use WMDRM to play or copy protected Content. Revocation does not affect unprotected Content. If you download licenses for protected Content, you agree that Microsoft may include a revocation list with the licenses. Content owners may require you to upgrade WMDRM to access their Content. If you decline an upgrade, you will not be able to access Content that requires the upgrade.

### **ADVERTISEMENTS, SERVICE COMMUNICATIONS**

Inclusion of the Service of a Third Party Provider does not mean that Sony approves of, or endorses, or recommends that Third Party Provider or its Content. You understand and agree that the Services and/or Content may include advertisements

(“Advertisements”), and that these Advertisements are necessary in order for the Services to be provided. You also understand and agree that the use of the Sony Entertainment Network feature may include certain communications from Sony or Third Party Providers such as service announcements, administrative messages, newsletters, and the like (“Service Communications”), and that you will not be able to opt out of receiving such Service Communications. SONY, ITS AFFILIATES, AND ITS THIRD PARTY PROVIDERS DISCLAIM ALL WARRANTIES, EXPRESS OR IMPLIED, AS TO THE ACCURACY, LEGALITY, RELIABILITY, OR VALIDITY OF ANY ADVERTISEMENT, SERVICE COMMUNICATIONS, OR CONTENT, AS WELL AS ANY LIABILITY ARISING UNDER ANY THEORY OF LAW FOR THE ADVERTISEMENTS, SERVICE COMMUNICATIONS, AND CONTENT.

### **OBJECTIONABLE CONTENT AND RULES FOR MINORS (UNDER AGE 16)**

Certain Content may not be suitable for minors or other users. Such Content may or may not be rated or identified as having explicit language, or otherwise being for a mature audience. Therefore, you acknowledge that you are using the Services at your own risk and that Sony has no liability to you for the Content, including any Content that may be offensive. You are responsible for supervising the use of the Sony Product, the Sony Software, Excluded Software, the Services, and the Content by any minor. If you are under the age of 16, you should ask your parent(s) or a guardian before you: (i) e-mail Sony via the Service; (ii) send in any information; (iii) enter any contest or game that requires information about you or offers a prize; (iv) join any club or group; (v) post any information on any bulletin board or enter any chatroom; or (vi) buy anything online.

### **EXCLUSION OF WARRANTY**

YOU UNDERSTAND, ACKNOWLEDGE, AND AGREE THAT THE CONTENT AND SERVICES ARE PROVIDED BY THIRD PARTY

PROVIDERS AND/OR SOFTWARE IS PROVIDED BY THIRD PARTIES OVER WHICH SONY HAS NO CONTROL. THE SELECTION, PROVISION, QUALITY, PICTURE SIZE, AND AVAILABILITY OF SUCH CONTENT AND/OR SOFTWARE ARE THE SOLE RESPONSIBILITY OF SUCH THIRD PARTY PROVIDER OR OTHER THIRD PARTY. YOU AGREE TO COMPLY WITH ANY AND ALL TERMS AND CONDITIONS THAT THE THIRD PARTY PROVIDERS MAY SET FOR ITS SERVICE, CONTENT AND/OR SOFTWARE. YOU FURTHER UNDERSTAND, ACKNOWLEDGE, AND AGREE THAT ACCESS, BROWSING, AND USAGE OF THE SERVICES REQUIRES INTERNET SERVICE PROVIDED BY YOU, AND FOR WHICH YOU ARE SOLELY RESPONSIBLE, INCLUDING BUT NOT LIMITED TO THE PAYMENT OF ANY THIRD PARTY FEES (SUCH AS INTERNET SERVICE PROVIDER OR AIRTIME CHARGES) FOR SUCH ACCESS AND FOR DISPLAY OR DELIVERY OF ADVERTISEMENTS INCLUDED WITH THE SERVICES. OPERATION OF THE SONY ENTERTAINMENT NETWORK FEATURE AND THE SERVICE MAY BE LIMITED OR RESTRICTED DEPENDING ON THE CAPABILITIES, BANDWIDTH OR TECHNICAL LIMITATIONS OF YOUR INTERNET SERVICE. SONY, ITS AFFILIATES, AND ITS THIRD PARTY PROVIDERS SHALL HAVE NO RESPONSIBILITY FOR THE TIMELINESS, DELETION, MIS-DELIVERY, OR FAILURE TO STORE ANY USER COMMUNICATIONS OR PERSONALIZED SETTINGS.

THE SONY SOFTWARE AND ACCOMPANYING DOCUMENTATION, THE SERVICES, AND THE CONTENT ARE FURNISHED TO YOU "AS IS" AND WITHOUT WARRANTIES OR CONDITIONS, STATUTORY OR OTHERWISE, OF ANY KIND. SONY, ITS AFFILIATES, ITS THIRD PARTY LICENSORS, AND ITS THIRD PARTY PROVIDERS EXPRESSLY DISCLAIM ALL WARRANTIES AND CONDITIONS, EXPRESS OR IMPLIED, INCLUDING BUT NOT LIMITED TO THE IMPLIED WARRANTIES OF NON-INFRINGEMENT, TITLE, MERCHANTABILITY,

AND FITNESS FOR A PARTICULAR PURPOSE. SONY, ITS AFFILIATES, ITS THIRD PARTY LICENSORS, AND ITS THIRD PARTY PROVIDERS DO NOT WARRANT THAT THE SONY SOFTWARE OR ACCOMPANYING DOCUMENTATION, THE SERVICES, OR THE CONTENT WILL MEET YOUR REQUIREMENTS OR THAT THE OPERATION OF THE SONY SOFTWARE, THE SERVICES, OR THE CONTENT WILL BE UNINTERRUPTED OR ERROR FREE. FURTHERMORE, SONY, ITS AFFILIATES, ITS THIRD PARTY LICENSORS, AND ITS THIRD PARTY PROVIDERS DO NOT WARRANT OR MAKE ANY REPRESENTATIONS OR CONDITIONS REGARDING THE USE OR THE RESULTS OF THE USE OF THE SONY SOFTWARE, THE SERVICES OR THE CONTENT IN TERMS OF ITS CORRECTNESS, ACCURACY, RELIABILITY OR OTHERWISE. NO ORAL OR WRITTEN INFORMATION OR ADVICE GIVEN BY SONY, ITS AFFILIATES, OR A SONY AUTHORIZED REPRESENTATIVE SHALL CREATE A WARRANTY OR CONDITION, OR IN ANY WAY CHANGE THIS EXCLUSION OF WARRANTY AND CONDITION. SHOULD THE SOFTWARE, MEDIA ON WHICH THE SOFTWARE IS FURNISHED, DOCUMENTATION, THE SERVICES, OR THE CONTENT PROVE DEFECTIVE, YOU (AND NOT SONY OR A SONY AUTHORIZED REPRESENTATIVE) ASSUME THE ENTIRE COST OF ALL NECESSARY SERVICING, REPAIR, OR CORRECTION.

#### **LIMITATION OF LIABILITY**

IN NO EVENT WILL SONY (INCLUDING BUT NOT LIMITED TO ANY NEGLIGENCE ISSUES RELATED TO THIRD PARTY LICENSORS OR THIRD PARTY PROVIDERS), ITS AFFILIATES, ITS THIRD PARTY LICENSORS OR ITS THIRD PARTY PROVIDERS BE LIABLE TO YOU FOR ANY SPECIAL, INDIRECT, INCIDENTAL, PUNITIVE, EXEMPLARY, OR CONSEQUENTIAL DAMAGES OF ANY KIND, INCLUDING BUT NOT LIMITED TO COMPENSATION, REIMBURSEMENT OR DAMAGES IN CONNECTION WITH, ARISING OUT OF OR



RELATING TO THIS EULA, ON ACCOUNT OF THE LOSS OF USE OF THE SONY PRODUCT, DOCUMENTATION, THE SERVICES, THE CONTENT, DOWN TIME AND YOUR TIME, LOSS OF PRESENT OR PROSPECTIVE PROFITS, LOSS OF DATA, INFORMATION OF ANY KIND, BUSINESS PROFITS, OR OTHER COMMERCIAL LOSS, OR FOR ANY OTHER REASON WHATSOEVER, EVEN IF SONY, ITS AFFILIATES, ITS THIRD PARTY LICENSORS, OR ITS THIRD PARTY PROVIDERS HAVE BEEN ADVISED OF THE POSSIBILITY OF SUCH DAMAGES. THE SONY SOFTWARE AND ACCOMPANYING DOCUMENTATION, THE SERVICES, AND THE CONTENT ARE FURNISHED TO YOU FOR USE AT YOUR OWN RISK. SONY, ITS AFFILIATES, ITS THIRD PARTY LICENSORS, AND ITS THIRD PARTY PROVIDERS WILL NOT BE LIABLE FOR DAMAGES FOR BREACH OF ANY EXPRESS OR IMPLIED WARRANTY OR CONDITION, BREACH OF CONTRACT, NEGLIGENCE, STRICT LIABILITY OR ANY OTHER LEGAL THEORY RELATED TO THE SONY SOFTWARE, THE SERVICES, THE CONTENT, OR THIS EULA.

Some jurisdictions may not allow exclusions or limitations of incidental or consequential damages, exclusions or limitations of implied warranties or conditions, or allow limitations on how long an implied warranty lasts, so the above limitations or exclusions may not apply to you.

#### **LIMITED WARRANTY ON MEDIA**

In situations where the Sony Software or any part thereof is furnished on media, Sony warrants that for a period of ninety (90) days from the date of its delivery to you, the media on which the Sony Software is furnished to you will be free from defects in materials and workmanship under normal use. This limited warranty extends only to you as the original licensee. Sony's entire liability and your exclusive remedy will be replacement of the media not meeting Sony's limited warranty. ANY IMPLIED WARRANTIES OR CONDITIONS ON THE MEDIA, INCLUDING THE IMPLIED WARRANTIES AND CONDITIONS OF MERCHANTABILITY, TITLE,

NON-INFRINGEMENT, AND/OR FITNESS FOR A PARTICULAR PURPOSE, ARE LIMITED IN DURATION TO NINETY (90) DAYS FROM THE DATE OF DELIVERY. SOME JURISDICTIONS DO NOT ALLOW LIMITATIONS ON HOW LONG AN IMPLIED WARRANTY OR CONDITION LASTS, SO THESE LIMITATIONS MAY NOT APPLY TO YOU. THIS WARRANTY GIVES YOU SPECIFIC LEGAL RIGHTS, AND YOU MAY ALSO HAVE OTHER RIGHTS WHICH VARY FROM JURISDICTION TO JURISDICTION.

#### **FEES**

Sony and its Third Party Providers reserve the right at any time to charge fees for access to new Content or new Services or to portions of the existing Content or Services, or the Services as a whole. In addition, Third Party Providers may charge fees for access to their Content. In no event will you be charged for access to any portion or all of the Content and/or the Services unless Sony and/or a Third Party Provider obtain your prior agreement to pay such charges. If you do not consent to such charges, however, you may not have access to paid Content or Services for which such charges apply.

#### **INTELLECTUAL PROPERTY / NOTICE FOR CLAIMS OF INTELLECTUAL PROPERTY VIOLATIONS AND AGENT FOR NOTICE**

Sony respects the intellectual property rights of others, and we ask you to do the same. It is Sony's policy, at its discretion as appropriate, (a) to terminate and/or disable the Content of Third Party Providers or users of the Services who may infringe or repeatedly infringe the copyrights or other intellectual property rights of Sony, its Third Party Providers or others; and/or (b) to forward reports of intellectual property rights violations to Third Party Providers and others for review and action per the terms of such Third Party Provider's procedures for protection of intellectual property rights. The Sony Software and Content are protected by copyright laws and international copyright treaties, as well as other intellectual property laws and treaties. There may be proprietary logos, service marks, trademarks,

likenesses, and trade names found in the Sony Software, the Content, or on the Services. By making the Sony Software and Content available on the Services, Sony and the Third Party Providers are not granting you any license to utilize those proprietary logos, service marks, trademarks, likenesses, or trade names. Any unauthorized use of the Sony Software, the Services, or the Content may violate copyright laws, trademark laws, the laws of privacy and publicity, and civil and criminal statutes. All right, title, and interest in and to the Sony Software and the Content, and any and all copies or portions thereof, are owned by Sony, its licensors, Third Party Licensors, suppliers and/or Third Party Providers. All rights not specifically granted under this EULA are reserved by Sony, its licensors, Third Party Licensors, suppliers and/or Third Party Providers.

You are responsible for all your activities hereunder, including all legal liability incurred from access, browsing, or use of the Services by you or by others who use the Services via your Sony Product or Account (as defined in the User Account section). You may use the Sony Software, the Services, and the Content for lawful purposes only. You may not distribute, exchange, modify, sell, or transmit anything you may copy from the Sony Software, the Services, or the Content, including but not limited to any data, text, software, likenesses, photographs, images, graphics, audio, music, sound, video, messages, and tags, for any business, commercial, or public purpose. As long as you comply with the terms of this EULA, Sony grants you a nonexclusive, nontransferable, limited right to use the Sony Entertainment Network feature to access the Services and the Content as set forth in this EULA. You further agree not to interrupt/disrupt or attempt to interrupt/disrupt the operation of the Sony Software, the Service or the Content in any way.

If you believe your work has been copied in a way that constitutes copyright infringement,

or that your intellectual property rights have otherwise been violated, please first contact the Third Party Provider for the particular Service. If you are unable to contact such Third Party Provider, or the content at issue is Sony's, you may contact Sony's Intellectual Property Agent (listed below) with the following information in a written notice: (a) an electronic or physical signature of the person authorized to act on behalf of the copyright or other intellectual property interest; (b) a description of the copyrighted work or other intellectual property that you claim has been infringed; (c) a description of the particular Service and where the material that you claim is infringing is located on such Service, with enough detail that we may find the material; (d) your address, telephone number, and e-mail address; (e) a statement by you that you have a good faith belief that the disputed use is not authorized by the copyright or intellectual property owner, its agent, or the law; and (f) a statement by you, made under penalty of perjury, that the above information in your notice is accurate and that you are the copyright or intellectual property owner or authorized to act on the copyright or intellectual property owner's behalf. Sony's agent for notice of copyright or other intellectual property right infringement is as follows: Intellectual Property Agent, c/o Sony Electronics Inc., 16530 Via Esprillo, San Diego, CA 92127; Facsimile (858) 942-9123; E-Mail IPagent@am.sony.com

#### **INDEMNIFICATION**

You agree to indemnify, defend, and hold harmless Sony and all of its agents, directors, officers, employees, information providers, licensors and licensees, affiliates, content providers, and direct and indirect parent(s) (collectively, "Indemnified Parties") from and against any and all liability and costs (including, without limitation, attorneys' fees and costs) incurred by the Indemnified Parties in connection with any claim arising out of (i) any breach or alleged breach by you of this EULA in any manner, (ii) any information you submit to Sony

hereunder, (iii) any breach or alleged breach by you of a third party's rights, (iv) any damage caused by or alleged to have been caused by you to the Sony Software, the Services, or the Content. Counsel you select for defense or settlement of a claim must be consented to by Sony and/or Indemnified Party(s) prior to counsel being engaged to represent you and Sony and/or Indemnified Party(s). You and your counsel will cooperate as fully as reasonably required by the Indemnified Party(s) in defense or settlement of any claim. Sony and/or Indemnified Party(s) reserve the right, at its own expense, to assume the exclusive defense or settlement, and control of any matter otherwise subject to indemnification by you. You shall not in any event consent to any judgment, settlement, attachment, or lien, or any other act adverse to the interest of Sony or any Indemnified Party without the prior written consent of Sony and/or Indemnified Party(s).

#### **AUTOMATIC UPDATE FEATURE / MODIFICATION OF EULA AS TO SERVICES**

From time to time, Sony or third parties may automatically update or otherwise modify the Sony Software, for example, but not limited to, for purposes of error correction, improvement of features, and enhancement of security features. Such updates or modifications may change or delete the nature of features or other aspects of the Sony Software, including features you may rely upon. You hereby agree that such activities may occur at Sony's sole discretion and that Sony may condition continued use of the Sony Software upon your complete installation or acceptance of such update or modifications. Sony may add to, change, or remove any part, term, or condition of the EULA as it applies to the Sony Software, the Services, and/or the Content at any time without prior notice to you. Any such additions, changes, or removals or any terms posted in the Sony Entertainment Network feature shall apply as soon as they are posted. By continuing to access the Services, the Sony Content Services, the

Content, and/or the Sony Content after so posted, you are indicating your acceptance thereto. SONY MAY ADD, CHANGE, DISCONTINUE, REMOVE, OR SUSPEND ANY OF THE SERVICES OR THE SONY CONTENT SERVICES, TEMPORARILY OR PERMANENTLY, AT ANY TIME, WITHOUT NOTICE AND WITHOUT LIABILITY. WITHOUT PREJUDICE TO ANY OTHER RIGHTS, SONY MAY SUSPEND OR TERMINATE THIS EULA AS TO THE SERVICES, THE SONY CONTENT SERVICES, THE CONTENT, AND/OR THE SONY CONTENT IMMEDIATELY UPON NOTICE IF YOU FAIL TO COMPLY WITH THE TERMS AND CONDITIONS OF THIS EULA. Sony may take any legal and technical remedies to prevent violation of and/or to enforce this EULA, including, without limitation, immediate termination of your access to the Services, if Sony believes in its discretion that you are violating this EULA.

#### **HIGH RISK ACTIVITIES**

The Sony Software is not fault-tolerant and is not designed, manufactured or intended for use or resale as on-line control equipment in hazardous environments requiring fail-safe performance, such as in the operation of nuclear facilities, aircraft navigation or communication systems, air traffic control, direct life support machines, or weapons systems, in which the failure of the Sony Software could lead to death, personal injury, or severe physical or environmental damage ("High Risk Activities"). SONY, EACH OF THE THIRD PARTY LICENSORS, AND EACH OF THEIR RESPECTIVE AFFILIATES SPECIFICALLY DISCLAIM ANY EXPRESS OR IMPLIED WARRANTY OR CONDITION OF FITNESS FOR HIGH RISK ACTIVITIES.

#### **RESTRICTIONS ON EXPORT OF ENCRYPTION TECHNOLOGY**

The Sony Software and the Content may contain encryption technology. You acknowledge that any export of Sony Software or the Content containing encryption technology from the United States or subsequent re-export of such software by a person located outside of the United States

requires a license or other authorization from the U.S. Department of Commerce's Bureau of Industry and Security. You further acknowledge that the Sony Software or the Content containing encryption technology and acquired from Sony is not intended for use by a foreign government end user. By accepting this license agreement, you agree to abide by all relevant U.S. export laws and regulations in the purchase and use of the Sony product being acquired, including but not limited to those regulations relating to the export control of cryptographic items and not to transfer, or authorize the transfer, of the Sony Software or the Content to a prohibited country or otherwise in violation of any such restrictions or regulations.

### **US GOVERNMENT RESTRICTED RIGHTS**

The Sony Software is provided with RESTRICTED RIGHTS. Use, duplication or disclosure by the United States Government is subject to restrictions as set forth in subparagraphs (c)(1) and (c)(2) of the Commercial Computer Software clause at FAR 52.227 19, and subparagraph (c)(i)(ii) of the Rights in Technical Data and Computer Software clause at DOD FAR 252.227-7013 and any comparable federal, state or local law or regulation. Manufacturer is Sony Electronics Inc., 16530 Via Esprillo, San Diego, CA 92127.

### **JURY TRIAL WAIVER**

THE PARTIES HERETO WAIVE TRIAL BY JURY WITH RESPECT TO ANY MATTERS ARISING UNDER OR RELATING TO THIS EULA. Any cause of action you may have with respect to the Services must be commenced within one (1) year after the claim or cause of action arises.

### **ENTIRE AGREEMENT, NOTICE, WAIVER, SEVERABILITY**

This EULA, the limited warranty accompanying the Sony Product, Sony's then-current privacy policy, and any additional terms and conditions posted on the Services, together constitute the entire agreement between you and Sony with respect to the Sony Product, the Sony

Software, the Services, and the Content. Any notice by Sony hereunder may be made by letter, e-mail, or posting on the Services. The failure of Sony to exercise or enforce any right or provision of this EULA shall not constitute a waiver of such right or provision. If any part of this EULA is held invalid, illegal, or unenforceable, that provision shall be enforced to the maximum extent permissible so as to maintain the intent of this EULA, and the other parts will remain in full force and effect.

### **THIRD PARTY BENEFICIARIES**

Each Third Party Licensor and each Third Party Provider is an express intended third-party beneficiary of, and shall have the right to enforce, each provision of this EULA with respect to the software, service, and content, as applicable, of such party.

### **EXCLUDED SOFTWARE**

Excluded Software included in the Sony Product is not subject to this EULA. Please refer to the section of this booklet entitled "NOTICES AND LICENSES FOR SOFTWARE USED IN THIS PRODUCT" for a list of the applicable software and terms and conditions governing the use of such Excluded Software.

### **TERM**

This EULA is effective until terminated. Sony may terminate this EULA immediately if you fail to comply with its terms by giving you notice. In such event, you must destroy the Sony Software and accompanying documentation, and all copies you have made of them. In addition, upon termination you will have no recourse against Sony, its affiliates, its Third Party Licensors, or its Third Party Providers for your inability to use the Sony Software or the accompanying documentation, the Services, or the Content.

Should you have any questions concerning this EULA, you may contact Sony by writing to Sony Electronics Inc. 16530 Via Esprillo, San Diego, California 92127 U.S.A.

# NOTICES AND LICENSES FOR SOFTWARE USED IN THIS PRODUCT

## GPL/LGPL LICENSED SOFTWARE

The following GPL executables and LGPL libraries are used in this product and are subject to the GPL/ LGPL License Agreements included as part of this documentation:

### Package list:

linux-kernel  
gcc-for-dev  
alsa-lib  
busybox  
directfb  
dosfstools  
fuse  
glib  
glibc-for-dev  
iptables  
libmicrohttpd  
pump-autoip  
libjs  
exceptionmonitor  
crypto  
cairo  
pango  
WebCore  
JavaScriptCore  
Linux UVC  
Video for Linux Two (V4L2)  
iconv  
Webkit  
Qt

Source code for these executables and libraries, as well as other executables and libraries, can be obtained using the following link:

<http://www.sony.net/Products/Linux/>

=====

## GNU GENERAL PUBLIC LICENSE Version 2, June 1991

Copyright (C) 1989, 1991 Free Software Foundation, Inc., 51 Franklin Street, Fifth Floor, Boston, MA 02110-1301, USA. Everyone is permitted to copy and distribute verbatim copies of this license document, but changing it is not allowed.

### Preamble

The licenses for most software are designed to take away your freedom to share and change it. By contrast, the GNU General Public License is intended to guarantee your freedom to share and change free software--to make sure the software is free for all its users. This General Public License applies to most of the Free Software Foundation's software and to any other

program whose authors commit to using it. (Some other Free Software Foundation software is covered by the GNU Library General Public License instead.) You can apply it to your programs, too.

When we speak of free software, we are referring to freedom, not price. Our General Public Licenses are designed to make sure that you have the freedom to distribute copies of free software (and charge for this service if you wish), that you receive source code or can get it if you want it, that you can change the software or use pieces of it in new free programs; and that you know you can do these things.

To protect your rights, we need to make restrictions that forbid anyone to deny you these rights or to ask you to surrender the rights. These restrictions translate to certain responsibilities for you if you distribute copies of the software, or if you modify it.

For example, if you distribute copies of such a program, whether gratis or for a fee, you must give the recipients all the rights that you have. You must make sure that they, too, receive or can get the source code. And you must show them these terms so they know their rights.

We protect your rights with two steps: (1) copyright the software, and (2) offer you this license which gives you legal permission to copy, distribute and/or modify the software.

Also, for each author's protection and ours, we want to make certain that everyone understands that there is no warranty for this free software. If the software is modified by someone else and passed on, we want its recipients to know that what they have is not the original, so that any problems introduced by others will not reflect on the original authors' reputations.

Finally, any free program is threatened constantly by software patents. We wish to avoid the danger that redistributors of a free program will individually obtain patent licenses, in effect making the program proprietary. To prevent this, we have made it clear that any patent must be licensed for everyone's free use or not licensed at all.

The precise terms and conditions for copying, distribution and modification follow.

## GNU GENERAL PUBLIC LICENSE TERMS AND CONDITIONS FOR COPYING, DISTRIBUTION AND MODIFICATION

0. This License applies to any program or other work which contains a notice placed by the copyright holder saying it may be distributed under the terms of this General Public License. The "Program", below, refers to

US

any such program or work, and a “work based on the Program” means either the Program or any derivative work under copyright law: that is to say, a work containing the Program or a portion of it, either verbatim or with modifications and/or translated into another language. (Hereinafter, translation is included without limitation in the term “modification”.) Each licensee is addressed as “you”.

Activities other than copying, distribution and modification are not covered by this License; they are outside its scope. The act of running the Program is not restricted, and the output from the Program is covered only if its contents constitute a work based on the Program (independent of having been made by running the Program). Whether that is true depends on what the Program does.

**1.** You may copy and distribute verbatim copies of the Program’s source code as you receive it, in any medium, provided that you conspicuously and appropriately publish on each copy an appropriate copyright notice and disclaimer of warranty; keep intact all the notices that refer to this License and to the absence of any warranty; and give any other recipients of the Program a copy of this License along with the Program.

You may charge a fee for the physical act of transferring a copy, and you may at your option offer warranty protection in exchange for a fee.

**2.** You may modify your copy or copies of the Program or any portion of it, thus forming a work based on the Program, and copy and distribute such modifications or work under the terms of Section 1 above, provided that you also meet all of these conditions:

**a)** You must cause the modified files to carry prominent notices stating that you changed the files and the date of any change.

**b)** You must cause any work that you distribute or publish, that in whole or in part contains or is derived from the Program or any part thereof, to be licensed as a whole at no charge to all third parties under the terms of this License.

**c)** If the modified program normally reads commands interactively when run, you must cause it, when started running for such interactive use in the most ordinary way, to print or display an announcement including an appropriate copyright notice and a notice that there is no warranty (or else, saying that you provide a warranty) and that users may redistribute the program under these conditions, and telling the user how to view a copy of this License. (Exception: if the Program itself is interactive but does not normally print such an

announcement, your work based on the Program is not required to print an announcement.)

These requirements apply to the modified work as a whole. If identifiable sections of that work are not derived from the Program, and can be reasonably considered independent and separate works in themselves, then this License, and its terms, do not apply to those sections when you distribute them as separate works. But when you distribute the same sections as part of a whole which is a work based on the Program, the distribution of the whole must be on the terms of this License, whose permissions for other licensees extend to the entire whole, and thus to each and every part regardless of who wrote it.

Thus, it is not the intent of this section to claim rights or contest your rights to work written entirely by you; rather, the intent is to exercise the right to control the distribution of derivative or collective works based on the Program.

In addition, mere aggregation of another work not based on the Program with the Program (or with a work based on the Program) on a volume of a storage or distribution medium does not bring the other work under the scope of this License.

**3.** You may copy and distribute the Program (or a work based on it, under Section 2) in object code or executable form under the terms of Sections 1 and 2 above provided that you also do one of the following:

**a)** Accompany it with the complete corresponding machine-readable source code, which must be distributed under the terms of Sections 1 and 2 above on a medium customarily used for software interchange; or,

**b)** Accompany it with a written offer, valid for at least three years, to give any third party, for a charge no more than your cost of physically performing source distribution, a complete machine-readable copy of the corresponding source code, to be distributed under the terms of Sections 1 and 2 above on a medium customarily used for software interchange; or,

**c)** Accompany it with the information you received as to the offer to distribute corresponding source code. (This alternative is allowed only for noncommercial distribution and only if you received the program in object code or executable form with such an offer, in accord with Subsection b above.)

The source code for a work means the preferred form of the work for making modifications to it. For an executable work, complete source code means all the source code for all modules it contains, plus any associated interface definition files, plus the scripts used to control compilation and installation of the executable.

However, as a special exception, the source code distributed need not include anything that is normally distributed (in either source or binary form) with the major components (compiler, kernel, and so on) of the operating system on which the executable runs, unless that component itself accompanies the executable.

If distribution of executable or object code is made by offering access to copy from a designated place, then offering equivalent access to copy the source code from the same place counts as distribution of the source code, even though third parties are not compelled to copy the source along with the object code.

**4.** You may not copy, modify, sublicense, or distribute the Program except as expressly provided under this License. Any attempt otherwise to copy, modify, sublicense or distribute the Program is void, and will automatically terminate your rights under this License. However, parties who have received copies, or rights, from you under this License will not have their licenses terminated so long as such parties remain in full compliance.

**5.** You are not required to accept this License, since you have not signed it. However, nothing else grants you permission to modify or distribute the Program or its derivative works. These actions are prohibited by law if you do not accept this License. Therefore, by modifying or distributing the Program (or any work based on the Program), you indicate your acceptance of this License to do so, and all its terms and conditions for copying, distributing or modifying the Program or works based on it.

**6.** Each time you redistribute the Program (or any work based on the Program), the recipient automatically receives a license from the original licensor to copy, distribute or modify the Program subject to these terms and conditions. You may not impose any further restrictions on the recipients' exercise of the rights granted herein. You are not responsible for enforcing compliance by third parties to this License.

**7.** If, as a consequence of a court judgment or allegation of patent infringement or for any other reason (not limited to patent issues), conditions are imposed on you (whether by court order, agreement or otherwise) that contradict the conditions of this License, they do not excuse you from the conditions of this License. If you cannot distribute so as to satisfy simultaneously your obligations under this License and any other pertinent obligations, then as a consequence you may not distribute the Program at all. For example, if a patent license would not permit royalty-free redistribution of the Program by all those who receive copies directly or indirectly through you, then the only way you could

satisfy both it and this License would be to refrain entirely from distribution of the Program.

If any portion of this section is held invalid or unenforceable under any particular circumstance, the balance of the section is intended to apply and the section as a whole is intended to apply in other circumstances. It is not the purpose of this section to induce you to infringe any patents or other property right claims or to contest validity of any such claims; this section has the sole purpose of protecting the integrity of the free software distribution system, which is implemented by public license practices. Many people have made generous contributions to the wide range of software distributed through that system in reliance on consistent application of that system; it is up to the author/donor to decide if he or she is willing to distribute software through any other system and a licensee cannot impose that choice.

This section is intended to make thoroughly clear what is believed to be a consequence of the rest of this License.

**8.** If the distribution and/or use of the Program is restricted in certain countries either by patents or by copyrighted interfaces, the original copyright holder who places the Program under this License may add an explicit geographical distribution limitation excluding those countries, so that distribution is permitted only in or among countries not thus excluded. In such case, this License incorporates the limitation as if written in the body of this License.

**9.** The Free Software Foundation may publish revised and/or new versions of the General Public License from time to time. Such new versions will be similar in spirit to the present version, but may differ in detail to address new problems or concerns.

Each version is given a distinguishing version number. If the Program specifies a version number of this License which applies to it and "any later version", you have the option of following the terms and conditions either of that version or of any later version published by the Free Software Foundation. If the Program does not specify a version number of this License, you may choose any version ever published by the Free Software Foundation.

**10.** If you wish to incorporate parts of the Program into other free programs whose distribution conditions are different, write to the author to ask for permission. For software which is copyrighted by the Free Software Foundation, write to the Free Software Foundation; we sometimes make exceptions for this. Our decision will be guided by the two goals of preserving the free status of all derivatives of our free software and of promoting the sharing and reuse of software generally.

## NO WARRANTY

BECAUSE THE PROGRAM IS LICENSED FREE OF CHARGE, THERE IS NO WARRANTY FOR THE PROGRAM, TO THE EXTENT PERMITTED BY APPLICABLE LAW. EXCEPT WHEN OTHERWISE STATED IN WRITING THE COPYRIGHT HOLDERS AND/OR OTHER PARTIES PROVIDE THE PROGRAM "AS IS" WITHOUT WARRANTY OF ANY KIND, EITHER EXPRESSED OR IMPLIED, INCLUDING, BUT NOT LIMITED TO, THE IMPLIED WARRANTIES OF MERCHANTABILITY AND FITNESS FOR A PARTICULAR PURPOSE. THE ENTIRE RISK AS TO THE QUALITY AND PERFORMANCE OF THE PROGRAM IS WITH YOU. SHOULD THE PROGRAM PROVE DEFECTIVE, YOU ASSUME THE COST OF ALL NECESSARY SERVICING, REPAIR OR CORRECTION.

IN NO EVENT UNLESS REQUIRED BY APPLICABLE LAW OR AGREED TO IN WRITING WILL ANY COPYRIGHT HOLDER, OR ANY OTHER PARTY WHO MAY MODIFY AND/OR REDISTRIBUTE THE PROGRAM AS PERMITTED ABOVE, BE LIABLE TO YOU FOR DAMAGES, INCLUDING ANY GENERAL, SPECIAL, INCIDENTAL OR CONSEQUENTIAL DAMAGES ARISING OUT OF THE USE OR INABILITY TO USE THE PROGRAM (INCLUDING BUT NOT LIMITED TO LOSS OF DATA OR DATA BEING RENDERED INACCURATE OR LOSSES SUSTAINED BY YOU OR THIRD PARTIES OR A FAILURE OF THE PROGRAM TO OPERATE WITH ANY OTHER PROGRAMS), EVEN IF SUCH HOLDER OR OTHER PARTY HAS BEEN ADVISED OF THE POSSIBILITY OF SUCH DAMAGES.

## END OF TERMS AND CONDITIONS

### How to Apply These Terms to Your New Programs

If you develop a new program, and you want it to be of the greatest possible use to the public, the best way to achieve this is to make it free software which everyone can redistribute and change under these terms.

To do so, attach the following notices to the program. It is safest to attach them to the start of each source file to most effectively convey the exclusion of warranty; and each file should have at least the "copyright" line and a pointer to where the full notice is found.

<one line to give the program's name and a brief idea of what it does.> Copyright (C) <year> <name of author>  
This program is free software; you can redistribute it and/or modify it under the terms of the GNU General Public License as published by the Free Software Foundation; either version 2 of the License, or (at your option) any later version.

This program is distributed in the hope that it will be useful, but WITHOUT ANY WARRANTY; without even the implied warranty of MERCHANTABILITY or FITNESS

FOR A PARTICULAR PURPOSE. See the GNU General Public License for more details.

You should have received a copy of the GNU General Public License along with this program; if not, write to the Free Software Foundation, Inc., 51 Franklin Street, Fifth Floor, Boston, MA 02110-1301, USA.

Also add information on how to contact you by electronic and paper mail.

If the program is interactive, make it output a short notice like this when it starts in an interactive mode: Gnomovision version 69, Copyright (C) year name of author Gnomovision comes with ABSOLUTELY NO WARRANTY; for details type 'show w'.

This is free software, and you are welcome to redistribute it under certain conditions; type 'show c' for details.

The hypothetical commands 'show w' and 'show c' should show the appropriate parts of the General Public License. Of course, the commands you use may be called something other than 'show w' and 'show c'; they could even be mouse-clicks or menu items--whatever suits your program.

You should also get your employer (if you work as a programmer) or your school, if any, to sign a "copyright disclaimer" for the program, if necessary. Here is a sample; alter the names:

Yoyodyne, Inc., hereby disclaims all copyright interest in the program 'Gnomovision' (which makes passes at compilers) written by James Hacker.

<signature of Ty Coon>, 1 April 1989

Ty Coon, President of Vice

This General Public License does not permit incorporating your program into proprietary programs. If your program is a subroutine library, you may consider it more useful to permit linking proprietary applications with the library. If this is what you want to do, use the GNU Library General Public License instead of this License.

## GNU LESSER GENERAL PUBLIC LICENSE

Version 2.1, February 1999

Copyright (C) 1991, 1999 Free Software Foundation, Inc. 51 Franklin Street, Fifth Floor, Boston, MA 02110-1301, USA. Everyone is permitted to copy and distribute verbatim copies of this license document, but changing it is not allowed.

[This is the first released version of the Lesser GPL. It also counts as the successor of the GNU Library Public License, version 2, hence the version number 2.1.]



## Preamble

The licenses for most software are designed to take away your freedom to share and change it. By contrast, the GNU General Public Licenses are intended to guarantee your freedom to share and change free software—to make sure the software is free for all its users.

This license, the Lesser General Public License, applies to some specially designated software packages—typically libraries—of the Free Software Foundation and other authors who decide to use it. You can use it too, but we suggest you first think carefully about whether this license or the ordinary General Public License is the better strategy to use in any particular case, based on the explanations below.

When we speak of free software, we are referring to freedom of use, not price. Our General Public Licenses are designed to make sure that you have the freedom to distribute copies of free software (and charge for this service if you wish); that you receive source code or can get it if you want it; that you can change the software and use pieces of it in new free programs; and that you are informed that you can do these things.

To protect your rights, we need to make restrictions that forbid distributors to deny you these rights or to ask you to surrender these rights. These restrictions translate to certain responsibilities for you if you distribute copies of the library or if you modify it.

For example, if you distribute copies of the library, whether gratis or for a fee, you must give the recipients all the rights that we gave you. You must make sure that they, too, receive or can get the source code. If you link other code with the library, you must provide complete object files to the recipients, so that they can relink them with the library after making changes to the library and recompiling it. And you must show them these terms so they know their rights.

We protect your rights with a two-step method: (1) we copyright the library, and (2) we offer you this license, which gives you legal permission to copy, distribute and/or modify the library.

To protect each distributor, we want to make it very clear that there is no warranty for the free library. Also, if the library is modified by someone else and passed on, the recipients should know that what they have is not the original version, so that the original author's reputation will not be affected by problems that might be introduced by others.

Finally, software patents pose a constant threat to the existence of any free program. We wish to make sure that a company cannot effectively restrict the users of a

free program by obtaining a restrictive license from a patent holder. Therefore, we insist that any patent license obtained for a version of the library must be consistent with the full freedom of use specified in this license.

Most GNU software, including some libraries, is covered by the ordinary GNU General Public License. This license, the GNU Lesser General Public License, applies to certain designated libraries, and is quite different from the ordinary General Public License. We use this license for certain libraries in order to permit linking those libraries into non-free programs.

When a program is linked with a library, whether statically or using a shared library, the combination of the two is legally speaking a combined work, a derivative of the original library. The ordinary General Public License therefore permits such linking only if the entire combination fits its criteria of freedom. The Lesser General Public License permits more lax criteria for linking other code with the library.

We call this license the “Lesser” General Public License because it does Less to protect the user's freedom than the ordinary General Public License. It also provides other free software developers Less of an advantage over competing non-free programs. These disadvantages are the reason we use the ordinary General Public License for many libraries. However, the Lesser license provides advantages in certain special circumstances.

For example, on rare occasions, there may be a special need to encourage the widest possible use of a certain library, so that it becomes a de-facto standard. To achieve this, non-free programs must be allowed to use the library. A more frequent case is that a free library does the same job as widely used non-free libraries. In this case, there is little to gain by limiting the free library to free software only, so we use the Lesser General Public License.

In other cases, permission to use a particular library in non-free programs enables a greater number of people to use a large body of free software. For example, permission to use the GNU C Library in non-free programs enables many more people to use the whole GNU operating system, as well as its variant, the GNU/Linux operating system.

Although the Lesser General Public License is Less protective of the users' freedom, it does ensure that the user of a program that is linked with the Library has the freedom and the wherewithal to run that program using a modified version of the Library.

The precise terms and conditions for copying, distribution and modification follow. Pay close attention to the difference between a “work based on the library” and a “work that uses the library”. The former contains code derived from the library, whereas the latter must be combined with the library in order to run.

## **GNU LESSER GENERAL PUBLIC LICENSE TERMS AND CONDITIONS FOR COPYING, DISTRIBUTION AND MODIFICATION**

**0.** This License Agreement applies to any software library or other program which contains a notice placed by the copyright holder or other authorized party saying it may be distributed under the terms of this Lesser General Public License (also called “this License”). Each licensee is addressed as “you”.

A “library” means a collection of software functions and/or data prepared so as to be conveniently linked with application programs (which use some of those functions and data) to form executables.

The “Library”, below, refers to any such software library or work which has been distributed under these terms. A “work based on the Library” means either the Library or any derivative work under copyright law: that is to say, a work containing the Library or a portion of it, either verbatim or with modifications and/or translated straightforwardly into another language. (Hereinafter, translation is included without limitation in the term “modification”).

“Source code” for a work means the preferred form of the work for making modifications to it. For a library, complete source code means all the source code for all modules it contains, plus any associated interface definition files, plus the scripts used to control compilation and installation of the library.

Activities other than copying, distribution and modification are not covered by this License; they are outside its scope. The act of running a program using the Library is not restricted, and output from such a program is covered only if its contents constitute a work based on the Library (independent of the use of the Library in a tool for writing it). Whether that is true depends on what the Library does and what the program that uses the Library does.

**1.** You may copy and distribute verbatim copies of the Library’s complete source code as you receive it, in any medium, provided that you conspicuously and appropriately publish on each copy an appropriate copyright notice and disclaimer of warranty; keep intact all the notices that refer to this License and to the absence of any warranty; and distribute a copy of this License along with the Library.

You may charge a fee for the physical act of transferring a copy, and you may at your option offer warranty protection in exchange for a fee.

**2.** You may modify your copy or copies of the Library or any portion of it, thus forming a work based on the Library, and copy and distribute such modifications or work under the terms of Section 1 above, provided that you also meet all of these conditions:

- a)** The modified work must itself be a software library.
- b)** You must cause the files modified to carry prominent notices stating that you changed the files and the date of any change.
- c)** You must cause the whole of the work to be licensed at no charge to all third parties under the terms of this License.
- d)** If a facility in the modified Library refers to a function or a table of data to be supplied by an application program that uses the facility, other than as an argument passed when the facility is invoked, then you must make a good faith effort to ensure that, in the event an application does not supply such function or table, the facility still operates, and performs whatever part of its purpose remains meaningful.

(For example, a function in a library to compute square roots has a purpose that is entirely well-defined independent of the application. Therefore, Subsection 2d requires that any application-supplied function or table used by this function must be optional: if the application does not supply it, the square root function must still compute square roots.)

These requirements apply to the modified work as a whole. If identifiable sections of that work are not derived from the Library, and can be reasonably considered independent and separate works in themselves, then this License, and its terms, do not apply to those sections when you distribute them as separate works. But when you distribute the same sections as part of a whole which is a work based on the Library, the distribution of the whole must be on the terms of this License, whose permissions for other licensees extend to the entire whole, and thus to each and every part regardless of who wrote it.

Thus, it is not the intent of this section to claim rights or contest your rights to work written entirely by you; rather, the intent is to exercise the right to control the distribution of derivative or collective works based on the Library.

In addition, mere aggregation of another work not based on the Library with the Library (or with a work based on the Library) on a volume of a storage or distribution

medium does not bring the other work under the scope of this License.

**3.** You may opt to apply the terms of the ordinary GNU General Public License instead of this License to a given copy of the Library. To do this, you must alter all the notices that refer to this License, so that they refer to the ordinary GNU General Public License, version 2, instead of to this License. (If a newer version than version 2 of the ordinary GNU General Public License has appeared, then you can specify that version instead if you wish.) Do not make any other change in these notices.

Once this change is made in a given copy, it is irreversible for that copy, so the ordinary GNU General Public License applies to all subsequent copies and derivative works made from that copy. This option is useful when you wish to copy part of the code of the Library into a program that is not a library.

**4.** You may copy and distribute the Library (or a portion or derivative of it, under Section 2) in object code or executable form under the terms of Sections 1 and 2 above provided that you accompany it with the complete corresponding machine-readable source code, which must be distributed under the terms of Sections 1 and 2 above on a medium customarily used for software interchange.

If distribution of object code is made by offering access to copy from a designated place, then offering equivalent access to copy the source code from the same place satisfies the requirement to distribute the source code, even though third parties are not compelled to copy the source along with the object code.

**5.** A program that contains no derivative of any portion of the Library, but is designed to work with the Library by being compiled or linked with it, is called a “work that uses the Library”. Such a work, in isolation, is not a derivative work of the Library, and therefore falls outside the scope of this License.

However, linking a “work that uses the Library” with the Library creates an executable that is a derivative of the Library (because it contains portions of the Library), rather than a “work that uses the library”. The executable is therefore covered by this License. Section 6 states terms for distribution of such executables.

When a “work that uses the Library” uses material from a header file that is part of the Library, the object code for the work may be a derivative work of the Library even though the source code is not. Whether this is true is especially significant if the work can be linked without the Library, or if the work is itself a library. The threshold for this to be true is not precisely defined by law.

If such an object file uses only numerical parameters, data structure layouts and accessors, and small macros and small inline functions (ten lines or less in length), then the use of the object file is unrestricted, regardless of whether it is legally a derivative work. (Executables containing this object code plus portions of the Library will still fall under Section 6.)

Otherwise, if the work is a derivative of the Library, you may distribute the object code for the work under the terms of Section 6. Any executables containing that work also fall under Section 6, whether or not they are linked directly with the Library itself.

**6.** As an exception to the Sections above, you may also combine or link a “work that uses the Library” with the Library to produce a work containing portions of the Library, and distribute that work under terms of your choice, provided that the terms permit modification of the work for the customer’s own use and reverse engineering for debugging such modifications.

You must give prominent notice with each copy of the work that the Library is used in it and that the Library and its use are covered by this License. You must supply a copy of this License. If the work during execution displays copyright notices, you must include the copyright notice for the Library among them, as well as a reference directing the user to the copy of this License. Also, you must do one of these things:

**a)** Accompany the work with the complete corresponding machine-readable source code for the Library including whatever changes were used in the work (which must be distributed under Sections 1 and 2 above); and, if the work is an executable linked with the Library, with the complete machine-readable “work that uses the Library”, as object code and/or source code, so that the user can modify the Library and then relink to produce a modified executable containing the modified Library. (It is understood that the user who changes the contents of definitions files in the Library will not necessarily be able to recompile the application to use the modified definitions.)

**b)** Use a suitable shared library mechanism for linking with the Library. A suitable mechanism is one that (1) uses at run time a copy of the library already present on the user’s computer system, rather than copying library functions into the executable, and (2) will operate properly with a modified version of the library, if the user installs one, as long as the modified version is interface-compatible with the version that the work was made with.

**c)** Accompany the work with a written offer, valid for at least three years, to give the same user the materials

specified in Subsection 6a, above, for a charge no more than the cost of performing this distribution.

**d)** If distribution of the work is made by offering access to copy from a designated place, offer equivalent access to copy the above specified materials from the same place.

**e)** Verify that the user has already received a copy of these materials or that you have already sent this user a copy.

For an executable, the required form of the “work that uses the Library” must include any data and utility programs needed for reproducing the executable from it. However, as a special exception, the materials to be distributed need not include anything that is normally distributed (in either source or binary form) with the major components (compiler, kernel, and so on) of the operating system on which the executable runs, unless that component itself accompanies the executable.

It may happen that this requirement contradicts the license restrictions of other proprietary libraries that do not normally accompany the operating system. Such a contradiction means you cannot use both them and the Library together in an executable that you distribute.

**7.** You may place library facilities that are a work based on the Library side-by-side in a single library together with other library facilities not covered by this License, and distribute such a combined library, provided that the separate distribution of the work based on the Library and of the other library facilities is otherwise permitted, and provided that you do these two things:

**a)** Accompany the combined library with a copy of the same work based on the Library, uncombined with any other library facilities. This must be distributed under the terms of the Sections above.

**b)** Give prominent notice with the combined library of the fact that part of it is a work based on the Library, and explaining where to find the accompanying uncombined form of the same work.

**8.** You may not copy, modify, sublicense, link with, or distribute the Library except as expressly provided under this License. Any attempt otherwise to copy, modify, sublicense, link with, or distribute the Library is void, and will automatically terminate your rights under this License. However, parties who have received copies, or rights, from you under this License will not have their licenses terminated so long as such parties remain in full compliance.

**9.** You are not required to accept this License, since you have not signed it. However, nothing else grants you permission to modify or distribute the Library or its

derivative works. These actions are prohibited by law if you do not accept this License. Therefore, by modifying or distributing the Library (or any work based on the Library), you indicate your acceptance of this License to do so, and all its terms and conditions for copying, distributing or modifying the Library or works based on it.

**10.** Each time you redistribute the Library (or any work based on the Library), the recipient automatically receives a license from the original licensor to copy, distribute, link with or modify the Library subject to these terms and conditions. You may not impose any further restrictions on the recipients’ exercise of the rights granted herein. You are not responsible for enforcing compliance by third parties with this License.

**11.** If, as a consequence of a court judgment or allegation of patent infringement or for any other reason (not limited to patent issues), conditions are imposed on you (whether by court order, agreement or otherwise) that contradict the conditions of this License, they do not excuse you from the conditions of this License. If you cannot distribute so as to satisfy simultaneously your obligations under this License and any other pertinent obligations, then as a consequence you may not distribute the Library at all. For example, if a patent license would not permit royalty-free redistribution of the Library by all those who receive copies directly or indirectly through you, then the only way you could satisfy both it and this License would be to refrain entirely from distribution of the Library.

If any portion of this section is held invalid or unenforceable under any particular circumstance, the balance of the section is intended to apply, and the section as a whole is intended to apply in other circumstances.

It is not the purpose of this section to induce you to infringe any patents or other property right claims or to contest validity of any such claims; this section has the sole purpose of protecting the integrity of the free software distribution system which is implemented by public license practices. Many people have made generous contributions to the wide range of software distributed through that system in reliance on consistent application of that system; it is up to the author/donor to decide if he or she is willing to distribute software through any other system and a licensee cannot impose that choice.

This section is intended to make thoroughly clear what is believed to be a consequence of the rest of this License.

**12.** If the distribution and/or use of the Library is restricted in certain countries either by patents or by copyrighted interfaces, the original copyright holder who

places the Library under this License may add an explicit geographical distribution limitation excluding those countries, so that distribution is permitted only in or among countries not thus excluded. In such case, this License incorporates the limitation as if written in the body of this License.

**13.** The Free Software Foundation may publish revised and/or new versions of the Lesser General Public License from time to time. Such new versions will be similar in spirit to the present version, but may differ in detail to address new problems or concerns.

Each version is given a distinguishing version number. If the Library specifies a version number of this License which applies to it and “any later version”, you have the option of following the terms and conditions either of that version or of any later version published by the Free Software Foundation. If the Library does not specify a license version number, you may choose any version ever published by the Free Software Foundation.

**14.** If you wish to incorporate parts of the Library into other free programs whose distribution conditions are incompatible with these, write to the author to ask for permission. For software which is copyrighted by the Free Software Foundation, write to the Free Software Foundation; we sometimes make exceptions for this. Our decision will be guided by the two goals of preserving the free status of all derivatives of our free software and of promoting the sharing and reuse of software generally.

#### **NO WARRANTY**

**15.** BECAUSE THE LIBRARY IS LICENSED FREE OF CHARGE, THERE IS NO WARRANTY FOR THE LIBRARY, TO THE EXTENT PERMITTED BY APPLICABLE LAW. EXCEPT WHEN OTHERWISE STATED IN WRITING THE COPYRIGHT HOLDERS AND/OR OTHER PARTIES PROVIDE THE LIBRARY “AS IS” WITHOUT WARRANTY OF ANY KIND, EITHER EXPRESSED OR IMPLIED, INCLUDING, BUT NOT LIMITED TO, THE IMPLIED WARRANTIES OF MERCHANTABILITY AND FITNESS FOR A PARTICULAR PURPOSE. THE ENTIRE RISK AS TO THE QUALITY AND PERFORMANCE OF THE LIBRARY IS WITH YOU. SHOULD THE LIBRARY PROVE DEFECTIVE, YOU ASSUME THE COST OF ALL NECESSARY SERVICING, REPAIR OR CORRECTION.

**16.** IN NO EVENT UNLESS REQUIRED BY APPLICABLE LAW OR AGREED TO IN WRITING WILL ANY COPYRIGHT HOLDER, OR ANY OTHER PARTY WHO MAY MODIFY AND/OR REDISTRIBUTE THE LIBRARY AS PERMITTED ABOVE, BE LIABLE TO YOU FOR DAMAGES, INCLUDING ANY GENERAL, SPECIAL, INCIDENTAL OR CONSEQUENTIAL DAMAGES ARISING OUT OF THE USE OR INABILITY TO USE THE LIBRARY

(INCLUDING BUT NOT LIMITED TO LOSS OF DATA OR DATA BEING RENDERED INACCURATE OR LOSSES SUSTAINED BY YOU OR THIRD PARTIES OR A FAILURE OF THE LIBRARY TO OPERATE WITH ANY OTHER SOFTWARE), EVEN IF SUCH HOLDER OR OTHER PARTY HAS BEEN ADVISED OF THE POSSIBILITY OF SUCH DAMAGES.

#### **END OF TERMS AND CONDITIONS**

##### **How to Apply These Terms to Your New Libraries**

If you develop a new library, and you want it to be of the greatest possible use to the public, we recommend making it free software that everyone can redistribute and change. You can do so by permitting redistribution under these terms (or, alternatively, under the terms of the ordinary General Public License).

To apply these terms, attach the following notices to the library. It is safest to attach them to the start of each source file to most effectively convey the exclusion of warranty; and each file should have at least the “copyright” line and a pointer to where the full notice is found.

<one line to give the library’s name and a brief idea of what it does.>

Copyright (C) <year> <name of author>

This library is free software; you can redistribute it and/or modify it under the terms of the GNU Lesser General Public license as published by the Free Software Foundation; either version 2.1 of the License, or (at your option) any later version.

This library is distributed in the hope that it will be useful, but WITHOUT ANY WARRANTY; without even the implied warranty of MERCHANTABILITY or FITNESS FOR A PARTICULAR PURPOSE. See the GNU Lesser General Public License for more details.

You should have received a copy of the GNU Lesser General Public License along with this library; if not, write to the Free Software Foundation, Inc., 51 Franklin Street, Fifth Floor, Boston, MA 02110-1301, USA. Also add information on how to contact you by electronic and paper mail.

You should also get your employer (if you work as a programmer) or your school, if any, to sign a “copyright disclaimer” for the library, if necessary. Here is a sample; alter the names:

Yoyodyne, Inc., hereby disclaims all copyright interest in the library ‘Frob’ (a library for tweaking knobs) written by James Random Hacker.

<signature of Ty Coon>, 1 April 1990

Ty Coon, President of Vice

=====  
**Notification of BSD**

Copyright (c) 1994-2004 The NetBSD Foundation, Inc.  
All rights reserved.

Redistribution and use in source and binary forms, with or without modification, are permitted provided that the following conditions are met:

1. Redistributions of source code must retain the above copyright notice, this list of conditions and the following disclaimer.
2. Redistributions in binary form must reproduce the above copyright notice, this list of conditions and the following disclaimer in the documentation and/or other materials provided with the distribution.
3. All advertising materials mentioning features or use of this software must display the following acknowledgement:  
This product includes software developed by the NetBSD Foundation, Inc. and its contributors.
4. Neither the name of The NetBSD Foundation nor the names of its contributors may be used to endorse or promote products derived from this software without specific prior written permission.

THIS SOFTWARE IS PROVIDED BY THE REGENTS AND CONTRIBUTORS "AS IS" AND ANY EXPRESS OR IMPLIED WARRANTIES, INCLUDING, BUT NOT LIMITED TO, THE IMPLIED WARRANTIES OF MERCHANTABILITY AND FITNESS FOR A PARTICULAR PURPOSE ARE DISCLAIMED. IN NO EVENT SHALL THE REGENTS OR CONTRIBUTORS BE LIABLE FOR ANY DIRECT, INDIRECT, INCIDENTAL, SPECIAL, EXEMPLARY, OR CONSEQUENTIAL DAMAGES (INCLUDING, BUT NOT LIMITED TO, PROCUREMENT OF SUBSTITUTE GOODS OR SERVICES; LOSS OF USE, DATA, OR PROFITS; OR BUSINESS INTERRUPTION) HOWEVER CAUSED AND ON ANY THEORY OF LIABILITY, WHETHER IN CONTRACT, STRICT LIABILITY, OR TORT (INCLUDING NEGLIGENCE OR OTHERWISE) ARISING IN ANY WAY OUT OF THE USE OF THIS SOFTWARE, EVEN IF ADVISED OF THE POSSIBILITY OF SUCH DAMAGE.

The following notices are required to satisfy the license terms of the software that we have mentioned in this document:

This product includes software developed by the NetBSD Foundation, Inc. and its contributors.  
This product includes software developed by the University of California, Berkeley and its contributors.  
This product includes software developed by John Polstra.

This product includes software developed for the NetBSD Project. See <http://www.NetBSD.org/> for information about NetBSD.

This product includes software developed by Winning Strategies, Inc.

This product includes software developed by Michael Graff.

This product includes software developed by Christos Zoulas.

This product includes software developed by Jonathan Stone for the NetBSD Project.

This product includes software developed by Christopher G. Demetriou for the NetBSD Project.

This product includes software developed by Niels Provos.

This product includes software developed by ToolLs GmbH.

This product includes software developed by the University of California, Lawrence Berkeley Laboratory.

This product includes software developed by WIDE Project and its contributors.

=====  
**INDEPENDENT JPEG GROUP SOFTWARE**

This software is based in part on the work of the Independent JPEG Group.

=====  
**SOFTWARE DEVELOPED BY THE OPENSLL PROJECT  
FOR USE IN THE SSL TOOLKIT**

Copyright (c) 1998-2008 The OpenSSL Project. All rights reserved.

Redistribution and use in source and binary forms, with or without modification, are permitted provided that the following conditions are met:

1. Redistributions of source code must retain the above copyright notice, this list of conditions and the following disclaimer.
2. Redistributions in binary form must reproduce the above copyright notice, this list of conditions and the following disclaimer in the documentation and/or other materials provided with the distribution.
3. All advertising materials mentioning features or use of this software must display the following acknowledgment: "This product includes software developed by the OpenSSL Project for use in the OpenSSL Toolkit. (<<http://www.openssl.org/>>)"
4. The names "OpenSSL Toolkit" and "OpenSSL Project" must not be used to endorse or promote products derived from this software without prior written permission. For written permission, please contact [openssl-core@openssl.org](mailto:openssl-core@openssl.org).

5. Products derived from this software may not be called "OpenSSL" nor may "OpenSSL" appear in their names without prior written permission of the OpenSSL Project.

6. Redistributions of any form whatsoever must retain the following acknowledgment: "This product includes software developed by the OpenSSL Project for use in the OpenSSL Toolkit (<http://www.openssl.org/>)"

THIS SOFTWARE IS PROVIDED BY THE OpenSSL PROJECT "AS IS" AND ANY EXPRESSED OR IMPLIED WARRANTIES, INCLUDING, BUT NOT LIMITED TO, THE IMPLIED WARRANTIES OF MERCHANTABILITY AND FITNESS FOR A PARTICULAR PURPOSE ARE DISCLAIMED. IN NO EVENT SHALL THE OpenSSL PROJECT OR ITS CONTRIBUTORS BE LIABLE FOR ANY DIRECT, INDIRECT, INCIDENTAL, SPECIAL, EXEMPLARY, OR CONSEQUENTIAL DAMAGES (INCLUDING, BUT NOT LIMITED TO, PROCUREMENT OF SUBSTITUTE GOODS OR SERVICES; LOSS OF USE, DATA, OR PROFITS; OR BUSINESS INTERRUPTION) HOWEVER CAUSED AND ON ANY THEORY OF LIABILITY, WHETHER IN CONTRACT, STRICT LIABILITY, OR TORT (INCLUDING NEGLIGENCE OR OTHERWISE) ARISING IN ANY WAY OUT OF THE USE OF THIS SOFTWARE, EVEN IF ADVISED OF THE POSSIBILITY OF SUCH DAMAGE.

-----  
This product includes cryptographic software written by Eric Young (eay@cryptsoft.com). This product includes software written by Tim Hudson (tjh@cryptsoft.com).

Original SSLeay License

-----  
Copyright (C) 1995-1998 Eric Young (eay@cryptsoft.com)  
All rights reserved. This package is an SSL implementation written by Eric Young (eay@cryptsoft.com).

The implementation was written so as to conform with Netscapes SSL.

This library is free for commercial and non-commercial use as long as the following conditions are adhered to. The following conditions apply to all code found in this distribution, be it the RC4, RSA, lhash, DES, etc., code; not just the SSL code. The SSL documentation included with this distribution is covered by the same copyright terms except that the holder is Tim Hudson (tjh@cryptsoft.com).

Copyright remains Eric Young's, and as such any Copyright notices in the code are not to be removed. If this package is used in a product, Eric Young should be given attribution as the author of the parts of the library used. This can be in the form of a textual message at

program startup or in documentation (online or textual) provided with the package.

Redistribution and use in source and binary forms, with or without modification, are permitted provided that the following conditions are met:

1. Redistributions of source code must retain the copyright notice, this list of conditions and the following disclaimer.

2. Redistributions in binary form must reproduce the above copyright notice, this list of conditions and the following disclaimer in the documentation and/or other materials provided with the distribution.

3. All advertising materials mentioning features or use of this software must display the following acknowledgement: "This product includes cryptographic software written by Eric Young (eay@cryptsoft.com)". The word 'cryptographic' can be left out if the routines from the library being used are not cryptographic related:-).

4. If you include any Windows specific code (or a derivative thereof) from the apps directory (application code) you must include an acknowledgement: "This product includes software written by Tim Hudson (tjh@cryptsoft.com)".

THIS SOFTWARE IS PROVIDED BY ERIC YOUNG "AS IS" AND ANY EXPRESS OR IMPLIED WARRANTIES, INCLUDING, BUT NOT LIMITED TO, THE IMPLIED WARRANTIES OF MERCHANTABILITY AND FITNESS FOR A PARTICULAR PURPOSE ARE DISCLAIMED. IN NO EVENT SHALL THE AUTHOR OR CONTRIBUTORS BE LIABLE FOR ANY DIRECT, INDIRECT, INCIDENTAL, SPECIAL, EXEMPLARY, OR CONSEQUENTIAL DAMAGES (INCLUDING, BUT NOT LIMITED TO, PROCUREMENT OF SUBSTITUTE GOODS OR SERVICES; LOSS OF USE, DATA, OR PROFITS; OR BUSINESS INTERRUPTION) HOWEVER CAUSED AND ON ANY THEORY OF LIABILITY, WHETHER IN CONTRACT, STRICT LIABILITY, OR TORT (INCLUDING NEGLIGENCE OR OTHERWISE) ARISING IN ANY WAY OUT OF THE USE OF THIS SOFTWARE, EVEN IF ADVISED OF THE POSSIBILITY OF SUCH DAMAGE. The license and distribution terms for any publically available version or derivative of this code cannot be changed. i.e. this code cannot simply be copied and put under another distribution license [including the GNU Public License.]

=====

**FREETYPE2 SOFTWARE**

The software is based in part of the work of the FreeType Team.

=====  
**Notification of Morisawa font**

The Morisawa-Shingo R font used on the screen display is solely developed by Morisawa Inc.

=====  
**Notification of Tiresias Font**

RNIB Tiresias Screen Font is developed by RNIB.

=====  
**Notification of MIT**

EXPAT

Copyright (c) 1998, 1999, 2000 Thai Open Source Software Center Ltd and Clark Cooper  
Copyright (c) 2001, 2002, 2003, 2004, 2005, 2006 Expat maintainers.

JSONcpp Copyright (c) 2007-2010 Baptiste Lepilleur  
Mongoose Copyright (c) 2010 Sergey Lyubka  
cJSON Copyright (c) 2009 Dave Gamble  
Permission is hereby granted, free of charge, to any person obtaining a copy of this software and associated documentation files (the "Software"), to deal in the Software without restriction, including without limitation the rights to use, copy, modify, merge, publish, distribute, sublicense, and/or sell copies of the Software, and to permit persons to whom the Software is furnished to do so, subject to the following conditions:

The above copyright notice and this permission notice shall be included in all copies or substantial portions of the Software.

THE SOFTWARE IS PROVIDED "AS IS", WITHOUT WARRANTY OF ANY KIND, EXPRESS OR IMPLIED, INCLUDING BUT NOT LIMITED TO THE WARRANTIES OF MERCHANTABILITY, FITNESS FOR A PARTICULAR PURPOSE AND NONINFRINGEMENT. IN NO EVENT SHALL THE AUTHORS OR COPYRIGHT HOLDERS BE LIABLE FOR ANY CLAIM, DAMAGES OR OTHER LIABILITY, WHETHER IN AN ACTION OF CONTRACT, TORT OR OTHERWISE, ARISING FROM, OUT OF OR IN CONNECTION WITH THE SOFTWARE OR THE USE OR OTHER DEALINGS IN THE SOFTWARE.

=====  
**CURL SOFTWARE**

COPYRIGHT AND PERMISSION NOTICE. Copyright (c) 1996 - 2009, Daniel Stenberg, <daniel@haxx.se>. All rights reserved.

Permission to use, copy, modify, and distribute this software for any purpose with or without fee is hereby granted, provided that the above copyright notice and this permission notice appear in all copies. THE SOFTWARE IS PROVIDED "AS IS", WITHOUT WARRANTY OF ANY KIND, EXPRESS OR IMPLIED,

INCLUDING BUT NOT LIMITED TO THE WARRANTIES OF MERCHANTABILITY, FITNESS FOR A PARTICULAR PURPOSE AND NONINFRINGEMENT OF THIRD PARTY RIGHTS. IN NO EVENT SHALL THE AUTHORS OR COPYRIGHT HOLDERS BE LIABLE FOR ANY CLAIM, DAMAGES OR OTHER LIABILITY, WHETHER IN AN ACTION OF CONTRACT, TORT OR OTHERWISE, ARISING FROM, OUT OF OR IN CONNECTION WITH THE SOFTWARE OR THE USE OR OTHER DEALINGS IN THE SOFTWARE. Except as contained in this notice, the name of a copyright holder shall not be used in advertising or otherwise to promote the sale, use or other dealings in this Software without prior written authorization of the copyright holder.

=====  
**LIBPIXMAN**

libpixregion

Copyright 1987, 1998 The Open Group.

Permission to use, copy, modify, distribute, and sell this software and its documentation for any purpose is hereby granted without fee, provided that the above copyright notice appear in all copies and that both that copyright notice and this permission notice appear in supporting documentation. The above copyright notice and this permission notice shall be included in all copies or substantial portions of the Software. THE SOFTWARE IS PROVIDED "AS IS", WITHOUT WARRANTY OF ANY KIND, EXPRESS OR IMPLIED, INCLUDING BUT NOT LIMITED TO THE WARRANTIES OF MERCHANTABILITY, FITNESS FOR A PARTICULAR PURPOSE AND NONINFRINGEMENT. IN NO EVENT SHALL THE OPEN GROUP BE LIABLE FOR ANY CLAIM, DAMAGES OR OTHER LIABILITY, WHETHER IN AN ACTION OF CONTRACT, TORT OR OTHERWISE, ARISING FROM, OUT OF OR IN CONNECTION WITH THE SOFTWARE OR THE USE OR OTHER DEALINGS IN THE SOFTWARE. Except as contained in this notice, the name of The Open Group shall not be used in advertising or otherwise to promote the sale, use or other dealings in this Software without prior written authorization from The Open Group.

Copyright 1987 by Digital Equipment Corporation, Maynard, Massachusetts. All Rights Reserved.

Permission to use, copy, modify, and distribute this software and its documentation for any purpose and without fee is hereby granted, provided that the above copyright notice appear in all copies and that both that copyright notice and this permission notice appear in supporting documentation, and that the name of Digital not be used in advertising or publicity pertaining to distribution of the software without specific, written prior permission. DIGITAL DISCLAIMS ALL



WARRANTIES WITH REGARD TO THIS SOFTWARE, INCLUDING ALL IMPLIED WARRANTIES OF MERCHANTABILITY AND FITNESS, IN NO EVENT SHALL DIGITAL BE LIABLE FOR ANY SPECIAL, INDIRECT OR CONSEQUENTIAL DAMAGES OR ANY DAMAGES WHATSOEVER RESULTING FROM LOSS OF USE, DATA OR PROFITS, WHETHER IN AN ACTION OF CONTRACT, NEGLIGENCE OR OTHER TORTIOUS ACTION, ARISING OUT OF OR IN CONNECTION WITH THE USE OR PERFORMANCE OF THIS SOFTWARE.

Copyright © 2001 Keith Packard.

Permission to use, copy, modify, distribute, and sell this software and its documentation for any purpose is hereby granted without fee, provided that the above copyright notice appear in all copies and that both that copyright notice and this permission notice appear in supporting documentation, and that the name of Keith Packard not be used in advertising or publicity pertaining to distribution of the software without specific, written prior permission. Keith Packard makes no representations about the suitability of this software for any purpose. It is provided "as is" without express or implied warranty.

KEITH PACKARD DISCLAIMS ALL WARRANTIES WITH REGARD TO THIS SOFTWARE, INCLUDING ALL IMPLIED WARRANTIES OF MERCHANTABILITY AND FITNESS, IN NO EVENT SHALL KEITH PACKARD BE LIABLE FOR ANY SPECIAL, INDIRECT OR CONSEQUENTIAL DAMAGES OR ANY DAMAGES WHATSOEVER RESULTING FROM LOSS OF USE, DATA OR PROFITS, WHETHER IN AN ACTION OF CONTRACT, NEGLIGENCE OR OTHER TORTIOUS ACTION, ARISING OUT OF OR IN CONNECTION WITH THE USE OR PERFORMANCE OF THIS SOFTWARE.

slim

slim is Copyright © 2003 Richard Henderson

Permission to use, copy, modify, distribute, and sell this software and its documentation for any purpose is hereby granted without fee, provided that the above copyright notice appear in all copies and that both that copyright notice and this permission notice appear in supporting documentation, and that the name of Richard Henderson not be used in advertising or publicity pertaining to distribution of the software without specific, written prior permission. Richard Henderson makes no representations about the suitability of this software for any purpose. It is provided "as is" without express or implied warranty.

RICHARD HENDERSON DISCLAIMS ALL WARRANTIES WITH REGARD TO THIS SOFTWARE, INCLUDING ALL IMPLIED WARRANTIES OF MERCHANTABILITY AND FITNESS, IN NO EVENT SHALL RICHARD HENDERSON BE LIABLE FOR ANY SPECIAL, INDIRECT OR CONSEQUENTIAL DAMAGES OR ANY DAMAGES WHATSOEVER RESULTING FROM LOSS OF USE, DATA OR PROFITS, WHETHER IN AN ACTION OF CONTRACT, NEGLIGENCE OR OTHER TORTIOUS ACTION, ARISING OUT OF OR IN CONNECTION WITH THE USE OR PERFORMANCE OF THIS SOFTWARE.

=====
**GIFLIB SOFTWARE**

The GIFLIB distribution is Copyright (c) 1997 Eric S. Raymond

Permission is hereby granted, free of charge, to any person obtaining a copy of this software and associated documentation files (the "Software"), to deal in the Software without restriction, including without limitation the rights to use, copy, modify, merge, publish, distribute, sublicense, and/or sell copies of the Software, and to permit persons to whom the Software is furnished to do so, subject to the following conditions: The above copyright notice and this permission notice shall be included in all copies or substantial portions of the Software.

THE SOFTWARE IS PROVIDED "AS IS", WITHOUT WARRANTY OF ANY KIND, EXPRESS OR IMPLIED, INCLUDING BUT NOT LIMITED TO THE WARRANTIES OF MERCHANTABILITY, FITNESS FOR A PARTICULAR PURPOSE AND NONINFRINGEMENT. IN NO EVENT SHALL THE AUTHORS OR COPYRIGHT HOLDERS BE LIABLE FOR ANY CLAIM, DAMAGES OR OTHER LIABILITY, WHETHER IN AN ACTION OF CONTRACT, TORT OR OTHERWISE, ARISING FROM, OUT OF OR IN CONNECTION WITH THE SOFTWARE OR THE USE OR OTHER DEALINGS IN THE SOFTWARE.

=====
**WPA Supplicant and hostapd**

Copyright (c) 2002-2011, Jouni Malinen <j@w1.fi> and contributors
All Rights Reserved.

Redistribution and use in source and binary forms, with or without modification, are permitted provided that the following conditions are met:

- 1. Redistributions of source code must retain the above copyright notice, this list of conditions and the following disclaimer.
2. Redistributions in binary form must reproduce the above copyright notice, this list of conditions and the

following disclaimer in the documentation and/or other materials provided with the distribution.

3. Neither the name(s) of the above-listed copyright holder(s) nor the names of its contributors may be used to endorse or promote products derived from this software without specific prior written permission.

THIS SOFTWARE IS PROVIDED BY THE COPYRIGHT HOLDERS AND CONTRIBUTORS "AS IS" AND ANY EXPRESS OR IMPLIED WARRANTIES, INCLUDING, BUT NOT LIMITED TO, THE IMPLIED WARRANTIES OF MERCHANTABILITY AND FITNESS FOR A PARTICULAR PURPOSE ARE DISCLAIMED. IN NO EVENT SHALL THE COPYRIGHT OWNER OR CONTRIBUTORS BE LIABLE FOR ANY DIRECT, INDIRECT, INCIDENTAL, SPECIAL, EXEMPLARY, OR CONSEQUENTIAL DAMAGES (INCLUDING, BUT NOT LIMITED TO, PROCUREMENT OF SUBSTITUTE GOODS OR SERVICES; LOSS OF USE, DATA, OR PROFITS; OR BUSINESS INTERRUPTION) HOWEVER CAUSED AND ON ANY THEORY OF LIABILITY, WHETHER IN CONTRACT, STRICT LIABILITY, OR TORT (INCLUDING NEGLIGENCE OR OTHERWISE) ARISING IN ANY WAY OUT OF THE USE OF THIS SOFTWARE, EVEN IF ADVISED OF THE POSSIBILITY OF SUCH DAMAGE.

=====

### 802.11 WLAN DRIVER SOFTWARE

Copyright (c) 2010, Atheros Communications Inc.

Permission to use, copy, modify, and/or distribute this software for any purpose with or without fee is hereby granted, provided that the above copyright notice and this permission notice appear in all copies.

THE SOFTWARE IS PROVIDED "AS IS" AND THE AUTHOR DISCLAIMS ALL WARRANTIES WITH REGARD TO THIS SOFTWARE INCLUDING ALL IMPLIED WARRANTIES OF MERCHANTABILITY AND FITNESS. IN NO EVENT SHALL THE AUTHOR BE LIABLE FOR ANY SPECIAL, DIRECT, INDIRECT, OR CONSEQUENTIAL DAMAGES OR ANY DAMAGES WHATSOEVER RESULTING FROM LOSS OF USE, DATA OR PROFITS, WHETHER IN AN ACTION OF CONTRACT, NEGLIGENCE OR OTHER TORTIOUS ACTION, ARISING OUT OF OR IN CONNECTION WITH THE USE OR PERFORMANCE OF THIS SOFTWARE.

=====

### WLAN DRIVER CCMP SW ENCRYPTION/DECRIPTION

Host AP crypt: host-based CCMP encryption implementation for Host AP driver

Copyright (c) 2003-2004, Jouni Malinen  
<jkmaline@cc.hut.fi>

This program is free software; you can redistribute it and/or modify it under the terms of the GNU General Public License version 2 as published by the Free Software Foundation. See README and COPYING for more details.

Alternatively, this software may be distributed under the terms of BSD license.

=====

### WLAN DRIVER USB RELATING FILES

Copyright (c) 2008-2010, Atheros Communications Inc.

This program is under the ISC permissive license which is GPL-Compatible. You can redistribute it and/or modify it under the terms of the GNU General Public License version 2 as published by the Free Software Foundation.

Permission to use, copy, modify, and/or distribute this software for any purpose with or without fee is hereby granted, provided that the above copyright notice and this permission notice appear in all copies.

THE SOFTWARE IS PROVIDED "AS IS" AND THE AUTHOR DISCLAIMS ALL WARRANTIES WITH REGARD TO THIS SOFTWARE INCLUDING ALL IMPLIED WARRANTIES OF MERCHANTABILITY AND FITNESS. IN NO EVENT SHALL THE AUTHOR BE LIABLE FOR ANY SPECIAL, DIRECT, INDIRECT, OR CONSEQUENTIAL DAMAGES OR ANY DAMAGES WHATSOEVER RESULTING FROM LOSS OF USE, DATA OR PROFITS, WHETHER IN AN ACTION OF CONTRACT, NEGLIGENCE OR OTHER TORTIOUS ACTION, ARISING OUT OF OR IN CONNECTION WITH THE USE OR PERFORMANCE OF THIS SOFTWARE.

=====

### LIBXML2 SOFTWARE

Except where otherwise noted in the source code (e.g. the files hash.c, list.c and the trio files, which are covered by a similar licence but with different Copyright notices) all the files are:

Copyright (C) 1998-2003 Daniel Veillard. All Rights Reserved.

Permission is hereby granted, free of charge, to any person obtaining a copy of this software and associated documentation files (the "Software"), to deal in the Software without restriction, including without limitation the rights to use, copy, modify, merge, publish, distribute, sublicense, and/or sell copies of the Software, and to permit persons to whom the Software is furnished to do so, subject to the following conditions:

The above copyright notice and this permission notice shall be included in all copies or substantial portions of the Software.

THE SOFTWARE IS PROVIDED "AS IS", WITHOUT WARRANTY OF ANY KIND, EXPRESS OR IMPLIED, INCLUDING BUT NOT LIMITED TO THE WARRANTIES OF MERCHANTABILITY, FIT-NESS FOR A PARTICULAR PURPOSE AND NONINFRINGEMENT. IN NO EVENT SHALL THE DANIEL VEILLARD BE LIABLE FOR ANY CLAIM, DAMAGES OR OTHER LIABILITY, WHETHER IN AN ACTION OF CONTRACT, TORT OR OTHERWISE, ARISING FROM, OUT OF OR IN CONNECTION WITH THE SOFTWARE OR THE USE OR OTHER DEALINGS IN THE SOFTWARE.

Except as contained in this notice, the name of Daniel Veillard shall not be used in advertising or otherwise to promote the sale, use or other dealings in this Software without prior written authorization from him.

=====
**LIBMNG SOFTWARE**

Copyright (c) 2000-2007 Gerard Juyn
[You may insert additional notices after this sentence if you modify this source]

For the purposes of this copyright and license, "Contributing Authors" is defined as the following set of individuals:

- Gerard Juyn- gjuyn :at: users.sourceforge.net
Glenn Randers-Pehrson-glennrp :at: users.sourceforge.net
Raphael Assenat- raph :at: raphnet.net
John Stiles

The MNG Library is supplied "AS IS". The Contributing Authors disclaim all warranties, expressed or implied, including, without limitation, the warranties of merchantability and of fitness for any purpose. The Contributing Authors assume no liability for direct, indirect, incidental, special, exemplary, or consequential damages, which may result from the use of the MNG Library, even if advised of the possibility of such damage.

Permission is hereby granted to use, copy, modify, and distribute this source code, or portions hereof, for any purpose, without fee, subject to the following restrictions:

- 1. The origin of this source code must not be misrepresented; you must not claim that you wrote the original software.
2. Altered versions must be plainly marked as such and must not be misrepresented as being the original source.
3. This Copyright notice may not be removed or altered from any source or altered source distribution. The Contributing Authors specifically permit, without fee, and encourage the use of this source code as a component to supporting the MNG and JNG file format

in commercial products. If you use this source code in a product, acknowledgment would be highly appreciated.

Parts of this software have been adapted from the libpng package.

Although this library supports all features from the PNG specification (as MNG descends from it) it does not require the libpng package.

It does require the zlib library and optionally the IJG jpeg library, and/or the "little-cms" library by Marti Maria (depending on the inclusion of support for JNG and Full-Color-Management respectively).

This library's function is primarily to read and display MNG animations. It is not meant as a full-featured image-editing component! It does however offer creation and editing functionality at the chunk level.

(future modifications may include some more support for creation and or editing)

=====
**FONTCONFIG SOFTWARE**

fontconfig/fontconfig/fontconfig.h

Copyright (c) 2001 Keith Packard

Permission to use, copy, modify, distribute, and sell this software and its documentation for any purpose is hereby granted without fee, provided that the above copyright notice appear in all copies and that both that copyright notice and this permission notice appear in supporting documentation, and that the name of Keith Packard not be used in advertising or publicity pertaining to distribution of the software without specific, written prior permission. Keith Packard makes no representations about the suitability of this software for any purpose. It is provided "as is" without express or implied warranty.

THE AUTHOR(S) DISCLAIMS ALL WARRANTIES WITH REGARD TO THIS SOFTWARE, INCLUDING ALL IMPLIED WARRANTIES OF MERCHANTABILITY AND FITNESS, IN NO EVENT SHALL THE AUTHOR(S) BE LIABLE FOR ANY SPECIAL, INDIRECT OR CONSEQUENTIAL DAMAGES OR ANY DAMAGES WHATSOEVER RESULTING FROM LOSS OF USE, DATA OR PROFITS, WHETHER IN AN ACTION OF CONTRACT, NEGLIGENCE OR OTHER TORTIOUS ACTION, ARISING OUT OF OR IN CONNECTION WITH THE USE OR PERFORMANCE OF THIS SOFTWARE.

=====
**C-ARES SOFTWARE**

Copyright 1998 by the Massachusetts Institute of Technology.

Copyright (C) 2007-2008 by Daniel Stenberg

Permission to use, copy, modify, and distribute this software and its documentation for any purpose and without fee is hereby granted, provided that the above copyright notice appear in all copies and that both that copyright notice and this permission notice appear in supporting documentation, and that the name of M.I.T. not be used in advertising or publicity pertaining to distribution of the software without specific, written prior permission.

M.I.T. makes no representations about the suitability of this software for any purpose. It is provided "as is" without express or implied warranty.

=====

**Notification of PlayReady™**

This product is protected by certain intellectual property rights of Microsoft Corporation. Use or distribution of such technology outside of this product is prohibited without a license from Microsoft or an authorized Microsoft subsidiary.

Content owners use Microsoft PlayReady™ content access technology to protect their intellectual property, including copyrighted content. This device uses PlayReady technology to access PlayReady-protected content and/or WMDRM-protected content.

If the device fails to properly enforce restrictions on content usage, content owners may require Microsoft to revoke the device's ability to consume PlayReady-protected content. Revocation should not affect unprotected content or content protected by other content access technologies. Content owners may require you to upgrade PlayReady to access their content. If you decline an upgrade, you will not be able to access content that requires the upgrade.

**Notification of Windows Media™**

Windows Media™ is either a registered trademark or trademark of Microsoft Corporation in the United States and/or other countries.

=====

**Notification of Smooth Streaming**

This product is protected by certain intellectual property rights of Microsoft. Use or distribution of such technology outside of this product is prohibited without a license from Microsoft.

=====

**Notification of MPEG-4 Visual**

THIS PRODUCT IS LICENSED UNDER THE MPEG-4 VISUAL PATENT PORTFOLIO LICENSE FOR THE PERSONAL AND NON-COMMERCIAL USE OF A CONSUMER FOR

(i) ENCODING VIDEO IN COMPLIANCE WITH THE MPEG-4 VISUAL STANDARD ("MPEG-4 VIDEO") AND/OR

(ii) DECODING MPEG-4 VIDEO THAT WAS ENCODED BY A CONSUMER ENGAGED IN A PERSONAL AND NON-COMMERCIAL ACTIVITY AND/OR WAS OBTAINED FROM A VIDEO PROVIDER LICENSED BY MPEG LA TO PROVIDE MPEG-4 VIDEO.

NO LICENSE IS GRANTED OR SHALL BE IMPLIED FOR ANY OTHER USE. ADDITIONAL INFORMATION INCLUDING THAT RELATING TO PROMOTIONAL, INTERNAL AND COMMERCIAL USES AND LICENSING MAY BE OBTAINED FROM MPEG LA, LLC. SEE [HTTP://WWW.MPEGLA.COM](http://www.mpegla.com)

=====

**Notification of MPEG-4 AVC**

THIS PRODUCT IS LICENSED UNDER THE AVC PATENT PORTFOLIO LICENSE FOR THE PERSONAL AND NON-COMMERCIAL USE OF A CONSUMER TO

(i) ENCODE VIDEO IN COMPLIANCE WITH THE AVC STANDARD ("AVC VIDEO") AND/OR

(ii) DECODE AVC VIDEO THAT WAS ENCODED BY A CONSUMER ENGAGED IN A PERSONAL AND

NON-COMMERCIAL ACTIVITY AND/OR WAS OBTAINED FROM A VIDEO PROVIDER LICENSED TO PROVIDE AVC VIDEO. NO LICENSE IS GRANTED OR SHALL BE IMPLIED FOR ANY OTHER USE. ADDITIONAL INFORMATION MAY BE OBTAINED FROM MPEG LA, L.L.C. SEE [HTTP://WWW.MPEGLA.COM](http://www.mpegla.com)

=====

**Notification of VC-1**

THIS PRODUCT IS LICENSED UNDER THE VC-1 PATENT PORTFOLIO LICENSE FOR THE PERSONAL AND NON-COMMERCIAL USE OF A CONSUMER TO

(i) ENCODE VIDEO IN COMPLIANCE WITH THE VC-1 STANDARD ("VC-1 VIDEO") AND/OR

(ii) DECODE VC-1 VIDEO THAT WAS ENCODED BY A CONSUMER ENGAGED IN A PERSONAL AND NON-COMMERCIAL ACTIVITY AND/OR WAS OBTAINED FROM A VIDEO PROVIDER LICENSED TO PROVIDE VC-1 VIDEO.

NO LICENSE IS GRANTED OR SHALL BE IMPLIED FOR ANY OTHER USE. ADDITIONAL INFORMATION MAY BE OBTAINED FROM MPEG LA, L.L.C. SEE [HTTP://WWW.MPEGLA.COM](http://www.mpegla.com)

=====  
**Notification of MP3**

MPEG Layer-3 audio coding technology and patents licensed from Fraunhofer IIS and Thomson.

=====  
**Opera® Browser**

This software is being provided on an <<as is>> basis. Opera and its suppliers disclaim all warranties regarding the software, either express or implied, statutory or otherwise, including without limitation warranties of functionality, fitness for a particular purpose or non-infringement.

- (a) restrict use of Opera Browser in Object Code embedded on this Product for personal use only;
- (b) prohibit, to the extent permitted by applicable law, the duplication, reverse engineering, disassembly or de-compilation of any portion of Opera Browser;
- (c) disclaim or limit, to the extent permitted by applicable law, Opera's liability for any direct, indirect, consequential and similar damages, costs or expenses of any kind;
- (d) disclaim or limit, to the extent permitted by applicable law, any warranties in relation to or by Opera and/or Opera Browser, including without limitation warranties of functionality, fitness for a particular purpose or non-infringement;

Opera® Browser from Opera Software ASA. Copyright 1995-2012 Opera Software ASA. All rights reserved.

The Opera® Browser uses the following third party code:

- This product includes software developed by the OpenSSL Project for use in the OpenSSL Toolkit.
- This product includes cryptographic software written by Eric Young.
- Eberhard Mattes.
- Doug Lea.
- David M. Gay.
- Portions of this software are copyright © 1996-2004 The FreeType Project. All rights reserved.
- The OpenSSL Toolkit is covered by the OpenSSL licenses:
- Number-to-string and string-to-number conversions are covered by the following license:

The author of this software is David M. Gay.

Copyright © 1991, 1996, 2000, 2001 by Lucent Technologies.

Permission to use, copy, modify, and distribute this software for any purpose without fee is hereby granted, provided that this entire notice is included

in all copies of any software which is or includes a copy or modification of this software and in all copies of the supporting documentation for such software.

THIS SOFTWARE IS BEING PROVIDED "AS IS", WITHOUT ANY EXPRESS OR IMPLIED WARRANTY. IN PARTICULAR, NEITHER THE AUTHOR NOR LUCENT MAKES ANY REPRESENTATION OR WARRANTY OF ANY KIND CONCERNING THE MERCHANTABILITY OF THIS SOFTWARE OR ITS FITNESS FOR ANY PARTICULAR PURPOSE.

=====  
**dtoa and strtod**

David Gay's binary/decimal conversion code (dtoa and strtod)

The author of this software is David M. Gay.

Copyright (c) 1991, 2000, 2001 by Lucent Technologies.

Permission to use, copy, modify, and distribute this software for any purpose without fee is hereby granted, provided that this entire notice is included in all copies of any software which is or includes a copy or modification of this software and in all copies of the supporting documentation for such software.

THIS SOFTWARE IS BEING PROVIDED "AS IS", WITHOUT ANY EXPRESS OR IMPLIED WARRANTY. IN PARTICULAR, NEITHER THE AUTHOR NOR LUCENT MAKES ANY REPRESENTATION OR WARRANTY OF ANY KIND CONCERNING THE MERCHANTABILITY OF THIS SOFTWARE OR ITS FITNESS FOR ANY PARTICULAR PURPOSE.

=====  
**Gracenote® End User License Agreement**

This application or device contains software from Gracenote, Inc. of Emeryville, California ("Gracenote"). The software from Gracenote (the "Gracenote Software") enables this application to perform disc and/or file identification and obtain music-related information, including name, artist, track, and title information ("Gracenote Data") from online servers or embedded databases (collectively, "Gracenote Servers") and to perform other functions. You may use Gracenote Data only by means of the intended End-User functions of this application or device.

You agree that you will use Gracenote Data, the Gracenote Software, and Gracenote Servers for your own personal non-commercial use only. You agree not to assign, copy, transfer or transmit the Gracenote Software or any Gracenote Data to any third party. YOU AGREE NOT TO USE OR EXPLOIT GRACENOTE DATA,

THE GRACENOTE SOFTWARE, OR GRACENOTE SERVERS, EXCEPT AS EXPRESSLY PERMITTED HEREIN.

You agree that your non-exclusive license to use the Gracenote Data, the Gracenote Software, and Gracenote Servers will terminate if you violate these restrictions. If your license terminates, you agree to cease any and all use of the Gracenote Data, the Gracenote Software, and Gracenote Servers.

Gracenote reserves all rights in Gracenote Data, the Gracenote Software, and the Gracenote Servers, including all ownership rights. Under no circumstances will Gracenote become liable for any payment to you for any information that you provide. You agree that Gracenote, Inc. may enforce its rights under this Agreement against you directly in its own name.

The Gracenote service uses a unique identifier to track queries for statistical purposes. The purpose of a randomly assigned numeric identifier is to allow the Gracenote service to count queries without knowing anything about who you are. For more information, see the web page for the Gracenote Privacy Policy for the Gracenote service.

The Gracenote Software and each item of Gracenote Data are licensed to you "AS IS." Gracenote makes no representations or warranties, express or implied, regarding the accuracy of any Gracenote Data from in the Gracenote Servers. Gracenote reserves the right to delete data from the Gracenote Servers or to change data categories for any cause that Gracenote deems sufficient. No warranty is made that the Gracenote Software or Gracenote Servers are error-free or that functioning of Gracenote Software or Gracenote Servers will be uninterrupted. Gracenote is not obligated to provide you with new enhanced or additional data types or categories that Gracenote may provide in the future and is free to discontinue its services at any time.

GRACENOTE DISCLAIMS ALL WARRANTIES EXPRESS OR IMPLIED, INCLUDING, BUT NOT LIMITED TO, IMPLIED WARRANTIES OF MERCHANTABILITY, FITNESS FOR A PARTICULAR PURPOSE, TITLE, AND NON-INFRINGEMENT. GRACENOTE DOES NOT WARRANT THE RESULTS THAT WILL BE OBTAINED BY YOUR USE OF THE GRACENOTE SOFTWARE OR ANY GRACENOTE SERVER. IN NO CASE WILL GRACENOTE BE LIABLE FOR ANY CONSEQUENTIAL OR INCIDENTAL DAMAGES OR FOR ANY LOST PROFITS OR LOST REVENUES.

=====

**SkypeKit**

This product includes SkypeKit Version 3  
Copyright 2003-2010, Skype Limited  
Patents Pending  
Skype, associated trade marks and logos and the "S" symbol are trade marks of Skype Limited.



## Fiche d'identification

Les numéros de modèle et de série sont indiqués à l'arrière et sur le côté du téléviseur. Inscrivez ces numéros dans les espaces ci-dessous. Faites-y référence chaque fois que vous appelez votre détaillant Sony au sujet de ce téléviseur.

N° de modèle

N° de série

## ATTENTION

Pour prévenir les chocs électriques et l'exposition des broches, ne pas utiliser cette fiche CA polarisée avec une rallonge, une prise de courant ou une autre sortie de courant, sauf si les broches peuvent être insérées jusqu'au fond.

- Faites uniquement fonctionner le téléviseur sur un courant de 110-240 V CA. (États-Unis/Canada 120 V CA)
- Certaines personnes peuvent ressentir de l'inconfort (tel que de la fatigue oculaire, fatigue ou nausée) pendant le visionnement d'images vidéo 3D ou de jeux en 3D stéréoscopique. Sony recommande à tous les utilisateurs de prendre régulièrement des pauses pendant le visionnement d'images vidéo 3D ou les parties de jeux en 3D stéréoscopique. La durée et la fréquence des pauses nécessaires varient d'une personne à l'autre. C'est à vous de décider ce qui vous convient le mieux. En cas d'inconfort, cessez de visionner des images vidéo 3D ou de jouer à des jeux en 3D stéréoscopique jusqu'à ce que les symptômes disparaissent; consultez un médecin si vous pensez que cela est nécessaire. Consultez également (i) le mode d'emploi de tout autre appareil ou support média utilisé avec votre téléviseur et (ii) notre site web (<http://www.sony.ca/support>) pour obtenir les renseignements les plus à jour. La vision des jeunes enfants (en particulier ceux de moins de 6 ans) est en plein développement. Consultez votre médecin (tel qu'un pédiatre ou ophtalmologiste) avant de permettre aux jeunes enfants de visionner des images vidéo 3D ou

jouer à des jeux en 3D stéréoscopique. Les adultes doivent surveiller les jeunes enfants pour s'assurer qu'ils suivent les recommandations ci-dessus.

- N'utilisez pas ou ne laissez pas les lunettes 3D, ou la pile près d'un feu ou dans des endroits où la température est élevée, soit à la lumière directe du soleil ou dans des véhicules stationnés au soleil.
- Lors de l'utilisation de la fonction de 3D simulée, notez que l'image affichée est modifiée par rapport à l'original en raison de la conversion effectuée par ce téléviseur.

## Information de licence

Les termes HDMI et HDMI High-Definition Multimedia Interface ainsi que le logo HDMI sont des marques de commerce ou des marques déposées de HDMI Licensing, LLC aux États-Unis et dans d'autres pays ou régions.

Ferguson Patent Properties, LLC :  
U.S. Patent No. 5,717,422  
U.S. Patent No. 6,816,141

Fabriqué sous licence de Dolby Laboratories. Le terme Dolby et le sigle double D sont des marques commerciales de Dolby Laboratories.

Rovi et Rovi On Screen Guide are trademarks of Rovi Corporation and/or its subsidiaries.

The Rovi On Screen Guide system is manufactured under license from Rovi Corporation and/or its subsidiaries.

The Rovi On Screen Guide system is protected by one or more United States patents of Rovi Corporation and/or its subsidiaries.

Rovi Corporation and/or its subsidiaries and related affiliates are not in any way liable for the accuracy or availability of the program schedule information or other data in the Rovi On Screen Guide system and cannot guarantee service availability in your area. In no event shall Rovi Corporation and/or its related affiliates be liable for any damages in connection with the accuracy or availability of the program schedule information or other data in the Rovi On Screen Guide system.


Rovi et Rovi On Screen Guide sont des marques déposées de Rovi Corporation et/ou ses sociétés affiliées.

Le système Rovi On Screen Guide est fabriqué sous licence de Rovi Corporation et/ou ses sociétés affiliées.

Rovi On Screen Guide est protégé par au moins un des brevets américains (USA) de Rovi Corporation et/ou de ses sociétés affiliées.

Rovi Corporation et/ou ses sociétés affiliées et filiales associées ne sont responsables en aucune manière de l'exactitude ou de la disponibilité des informations relatives aux programmes de télévision ou des autres informations fournies dans le système Rovi On Screen Guide, et ne peuvent pas garantir la disponibilité du service dans votre région. En aucun cas, Rovi Corporation et/ou ses filiales associées ne peuvent être tenues responsables pour tout dommage en relation avec l'exactitude ou la disponibilité des informations relatives aux programmes de télévision ou des autres informations fournies dans le système Rovi On Screen Guide.

« Blu-ray Disc », « Blu-ray » et le logo « Blu-ray Disc » sont des marques de commerce de la Blu-ray Disc Association.

« BRAVIA » et BRAVIA, S-Force, Motionflow, BRAVIA Sync et  sont des marques de commerce ou des marques déposées de Sony Corporation.

DLNA<sup>MD</sup>, le logo DLNA et DLNA CERTIFIED<sup>MD</sup> sont des marques de commerce, des marques de service ou des marques de certification de la Digital Living Network Alliance.

TrackID est une marque déposée ou une marque de commerce de Sony Mobile Communications AB.

La technologie de reconnaissance des données audio/vidéo et les données associées sont fournies par Gracenote<sup>®</sup>. Gracenote constitue la norme de l'industrie en matière de technologie de reconnaissance musicale et de fourniture de contenus connexes. Pour plus de détails, visitez [www.gracenote.com](http://www.gracenote.com). Les données sur CD, DVD ou/et Blu-ray Disc et les données associées aux morceaux de musique et aux clips vidéo sont fournies par Gracenote, Inc., Copyright © 2000 - Date actuelle Gracenote. Logiciels Gracenote, Copyright © 2000 - Date actuelle Gracenote. Ce produit et ce




service sont protégés par un ou plusieurs brevets appartenant à Gracenote. Pour obtenir une liste non exhaustive des brevets Gracenote en vigueur, visitez le site Web de Gracenote. Les noms Gracenote, CDDB, MusicID, MediaVOCS, le logo Gracenote, le graphisme Gracenote, la mention « Powered by Gracenote » sont des marques ou des marques déposées de Gracenote aux Etats-Unis et/ou dans d'autres pays.

Opera® Browser de Opera Software ASA. Copyright 1995-2012 Opera Software ASA. Tous droits réservés.

Wi-Fi Direct est une marque de la Wi-Fi Alliance.

Le logo et le terme « Sony Entertainment Network » sont des marques de commerce de Sony Corporation.

«  » et « SimulView »

PlayStation 3  
sont des marques de commerce de Sony Computer Entertainment Inc.



- Les illustrations de la télécommande apparaissant dans ce manuel représentent le modèle RM-YD086, sauf indication contraire.
- Conservez le présent manuel pour toute référence ultérieure.

# Consignes de sécurité importantes

- 1) Lisez les directives suivantes.
- 2) Conservez ces directives.
- 3) Observez et respectez tous les avertissements.
- 4) Suivez toutes les directives.
- 5) N'utilisez pas cet appareil près de l'eau.



- 6) Nettoyez cet appareil uniquement avec un chiffon sec.
- 7) Ne bouchez pas les fentes de ventilation. Respectez les directives du fabricant pour l'installation de l'appareil.



- 8) N'installez pas l'appareil à proximité d'une source de chaleur telle qu'un radiateur, une bouche d'air chaud, une cuisinière ou tout autre appareil (y compris des amplificateurs) émettant de la chaleur.



- 9) Ne désactivez pas le dispositif de sécurité appliqué à la fiche polarisée ou à la fiche avec mise à la terre. Une fiche polarisée est équipée de deux lames dont l'une est plus large que l'autre. Une fiche avec mise à la terre est équipée de deux lames et une broche destinée à la mise à la terre. La lame la plus large et la troisième broche sont des dispositifs de sécurité. Si vous ne réussissez pas à brancher la fiche fournie dans la prise de courant, consultez un



électricien et faites remplacer la prise par une neuve.

- 10) Ne placez pas le cordon d'alimentation dans des endroits passants et assurez-vous qu'il ne peut pas être pincé, surtout au niveau des fiches, de la prise de courant et à l'endroit où il sort de l'appareil.



- 11) Utilisez uniquement les éléments de raccordement et les accessoires recommandés par le fabricant.



- 12) Utilisez l'appareil uniquement avec le chariot, le trépied, le support ou la table recommandés par le fabricant ou achetés avec l'appareil. Lorsque vous utilisez un chariot, prenez des précautions en déplaçant le chariot et l'appareil afin de ne pas les renverser, ce qui pourrait entraîner des blessures.



- 13) Débranchez cet appareil en cas d'orage ou lorsque vous ne l'utilisez pas pendant de longues périodes.



- 14) Pour toute réparation, adressez-vous à un réparateur qualifié. Faites réparer l'appareil s'il a été endommagé de quelque manière que ce soit, par exemple si le cordon d'alimentation ou sa fiche sont endommagés, si du liquide ou tout autre corps étranger a pénétré dans l'appareil, si l'appareil a été exposé à la pluie ou à l'humidité, s'il ne fonctionne pas normalement ou s'il est tombé.



**Veillez respecter les consignes de sécurité supplémentaires pour éviter les risques d'électrocution, de court-circuit, d'incendie, de blessure et de dommages à la propriété.**

Reportez-vous au verso pour plus d'information.

# Consignes de sécurité

## Déclaration de conformité

Appellation commerciale : SONY

Modèle : XBR-84X900

Partie responsable : Sony Electronics Inc.  
Address : 16530 Via Esprillo, San Diego, CA  
92127 U.S.A.

Numéro de téléphone : 858-942-2230

Cet appareil est conforme à la section 15 des règlements de la FCC. L'utilisation de ce dispositif est autorisée seulement aux conditions suivantes :

(1) Cet appareil ne doit pas provoquer des interférences gênantes; et (2) cet appareil doit pouvoir accepter les interférences reçues, y compris les interférences risquant de déclencher des opérations non désirées.

## Pour les clients résidant au Canada

Cet appareil numérique de la classe B est conforme à la norme NMB-003 du Canada.

## AVIS

Cet appareil a été soumis à l'essai et s'est avéré conforme aux limites pour un appareil numérique de classe B, conformément à la section 15 des règlements de la FCC. Ces normes sont conçues pour assurer une protection raisonnable contre les interférences nuisibles dans un environnement résidentiel. Cet appareil génère, utilise et peut émettre de l'énergie radioélectrique et, s'il n'est pas installé ou utilisé selon les directives, peut causer des interférences nuisibles aux communications radio. Cependant, il n'existe aucune garantie que des interférences ne se produiront pas dans une installation particulière. Si ce matériel est source d'interférences nuisibles pour la réception radio ou télévisée, ce qui peut être déterminé en mettant l'appareil hors tension, puis sous tension, il est recommandé de tenter d'éliminer ces interférences en appliquant l'une ou plusieurs des mesures suivantes :

- Réorienter ou déplacer l'antenne réceptrice.
- Éloigner l'appareil du récepteur.
- Brancher l'appareil dans une prise d'un circuit différent de celui qui alimente le récepteur.
- Consulter le détaillant ou un technicien radio ou télévision qualifié pour obtenir de l'aide.

Conformément aux règlements de la FCC, vous êtes averti que tous les changements ou modifications non expressément approuvés dans ce manuel pourraient annuler tous vos droits relatifs à l'utilisation de ce produit.

## Sécurité et réglementation

Ce dispositif est conforme aux limites d'exposition aux rayonnements de la FCC/IC prescrites pour un environnement non contrôlé et est conforme aux directives d'exposition de fréquence radio (RF) de la FCC établies au supplément C à OET65 et RSS-102 des règlements d'exposition de fréquence radio (RF) IC. Ce dispositif a des niveaux très bas d'énergie RF qui sont jugés conformes sans évaluation d'exposition permissive (MPE) maximum. Il doit être installé et utilisé en laissant une distance minimale de 20 cm entre le radiateur et le corps (en excluant les extrémités : mains, poignets, pieds et chevilles).

Cet appareil et sa ou ses antennes ne doivent pas être placés à proximité d'autres antennes ou émetteurs ni fonctionner avec eux, sauf autorisation spéciale.

## Remarque

Ce téléviseur comporte un démodulateur QAM qui devrait vous permettre de recevoir une programmation numérique décodée de câblodistribution par le biais d'un service d'abonnement auprès d'un câblodistributeur. La disponibilité d'une programmation télévisée numérique par câblodistribution dans votre région dépend du type de programmation et de signal fournis par votre câblodistributeur.

## Information sur le support de fixation murale compatible

Utilisez le support de fixation murale Sony ci-dessous correspondant au modèle de votre téléviseur.

	Numéro de modèle de téléviseur Sony
	XBR-84X900
Numéro de modèle du support de fixation murale Sony	SU-WL500

L'utilisation d'autres supports de fixation murale\* peut provoquer l'instabilité de l'appareil et causer des blessures ou des dommages matériels.

\* Pour des instructions sur l'utilisation du support de fixation murale avec votre téléviseur, veuillez accéder à la page du site <http://esupport.sony.com> correspondant au modèle de votre téléviseur et télécharger le document « Information complémentaire pour l'installation à l'aide du support de fixation murale ».

## Note au consommateur

L'installation de ce téléviseur nécessite une certaine compétence. Veuillez à confier l'installation à un détaillant Sony ou à un entrepreneur autorisé et portez une attention particulière à la sécurité pendant l'installation.

FR

# AVERTISSEMENT

Afin de réduire les risques d'incendie et d'électrocution, n'exposez pas ce téléviseur à la pluie ou à l'humidité.

Le téléviseur ne doit jamais être exposé aux éclaboussures, au déversement ou à l'égouttement de liquides, quels qu'ils soient.



Ce sigle vise à signaler à l'utilisateur la présence d'une « tension dangereuse » non isolée au sein du téléviseur, dont la puissance peut être suffisante pour provoquer un risque d'électrocution.

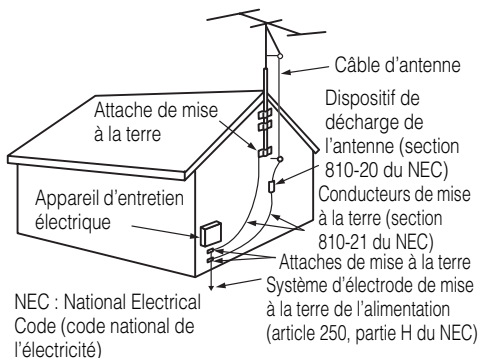


Ce sigle vise à signaler à l'utilisateur la présence d'une documentation importante concernant les instructions de fonctionnement et d'entretien de ce téléviseur.



Danger d'explosion si la pile n'est pas remplacée correctement. Ne remplacer qu'avec le même type ou un type équivalent.

## Mise à la terre de l'antenne extérieure



# Consignes de sécurité supplémentaires

## HUMIDITÉ

- ❑ Ne placez pas d'objets contenant des liquides, tels qu'un vase ou une plante en pot, sur le téléviseur.
- ❑ N'utilisez pas un téléviseur alimenté par une source de courant électrique près de l'eau (baignoire, lavabo, évier de cuisine, cuve de lavage, piscine, sous-sol humide, etc.).
- ❑ N'installez pas le téléviseur dans un endroit où il y a une présence de soufre (sources thermales, par exemple). Cela pourrait provoquer un incendie, un choc électrique ou endommager votre téléviseur.



## NETTOYAGE





Avant d'effectuer le nettoyage, veillez à débrancher le cordon d'alimentation pour éviter tout risque d'électrocution.

- ❑ Nettoyez le boîtier du téléviseur avec un chiffon sec et doux.
- ❑ Essuyez délicatement l'écran ACL avec un chiffon doux.
- ❑ Enlevez les taches tenaces à l'aide d'un chiffon légèrement humidifié avec une solution de savon doux et d'eau tiède.
- ❑ Ne pulvérisez pas d'eau ou de détergent directement sur le téléviseur. Le liquide peut goutter jusqu'au bas de l'écran ou des pièces extérieures et provoquer un dysfonctionnement.
- ❑ Si vous utilisez un chiffon prétraité avec un produit chimique, suivez bien les directives indiquées sur l'emballage.
- ❑ N'utilisez jamais de solvants corrosifs tels qu'un diluant, de l'alcool ou du benzène pour nettoyer l'appareil.
- ❑ Il est recommandé de nettoyer périodiquement les ouvertures de ventilation avec un aspirateur afin de garantir une bonne ventilation.




## VENTILATION

Les ouvertures de ventilation du téléviseur sont nécessaires pour assurer le bon fonctionnement du téléviseur et le protéger de la surchauffe.



- ❑ Ne bloquez pas et ne couvrez pas les ouvertures de ventilation avec du tissu ou d'autres matériaux. 
- ❑ Ne placez jamais le téléviseur sur un lit, un canapé, un tapis ou toute autre surface similaire qui pourrait bloquer les ouvertures de ventilation. 
- ❑ Sans une ventilation correcte, de la poussière peut s'accumuler dans le téléviseur et provoquer des dommages. 
- ❑ Ne laissez jamais tomber de liquides ou d'objets dans les ouvertures de ventilation. 
- ❑ Si un objet ou du liquide tombe à l'intérieur du téléviseur, débranchez-le immédiatement et faites-le vérifier par un technicien qualifié avant de le faire fonctionner de nouveau.
- ❑ N'introduisez jamais d'objet quel qu'il soit dans le téléviseur par les fentes du boîtier, car il pourrait toucher des points de haute tension ou court-circuiter des pièces et provoquer un incendie ou l'électrocution.






Laissez un espace suffisant autour du téléviseur pour assurer une circulation d'air adéquate.

- ❑ N'installez jamais le téléviseur dans un espace restreint, comme une bibliothèque ou un meuble encastré, à moins que la ventilation nécessaire ne soit prévue. 
- ❑ Laissez un espace libre d'au moins 30cm (117/8po) au-dessus du téléviseur et de 10cm (4po) de chaque côté. Si vous installez l'appareil au mur, laissez un espace libre d'au moins 10cm (4po) en dessous de l'écran.

## INSTALLATION


Installez le téléviseur près d'une prise de courant CA facilement accessible.

- ❑ N'installez pas le téléviseur avec l'écran vers le haut ou vers le bas, ni à l'envers ou sur le côté. 
- ❑ N'installez pas le téléviseur dans des endroits chauds, humides, excessivement poussiéreux ou dans des zones où il y a de la fumée grasseuse ou de la vapeur (comme près d'une cuisinière ou d'un humidificateur). Un incendie, un choc électrique ou une déformation du téléviseur peut se produire. 

- ❑ N'installez pas le téléviseur dans des endroits sujets à des extrêmes de température, par exemple à la lumière directe du soleil ou encore près d'un radiateur ou d'une bouche de chaleur. Dans de telles conditions, le téléviseur pourrait surchauffer, ce qui peut provoquer une déformation du boîtier et/ou des problèmes de fonctionnement. 
- ❑ N'installez pas le téléviseur dans un endroit exposé directement à l'air climatisé; de l'humidité pourrait se condenser à l'intérieur du téléviseur et provoquer des problèmes de fonctionnement. 
- ❑ N'installez pas le téléviseur dans un endroit où il peut être exposé à des vibrations mécaniques. 
- ❑ N'installez pas le téléviseur dans un endroit où peuvent pénétrer les insectes. 
- ❑ N'installez pas le téléviseur de sorte qu'il dépasse dans un espace ouvert. Il y a un risque de blessure ou de dommage si une personne ou un objet heurte le téléviseur. 
- ❑ Pour éviter les risques d'incendie, tenez les objets inflammables et la flamme nue (p. ex. les bougies) à distance du téléviseur.
- ❑ Ne posez aucun appareil sur le téléviseur.

## Prévenez le basculement du téléviseur

Prenez les mesures nécessaires afin d'éviter que le téléviseur ne bascule, ce qui pourrait provoquer des blessures ou des dommages au téléviseur ou à d'autres objets.

- ❑ Fixez le téléviseur à un mur ou à un support. 
- ❑ N'installez jamais le téléviseur sur une surface inégale et/ou instable.
- ❑ Ne laissez pas les enfants jouer avec le meuble ou le téléviseur et ne les laissez pas grimper dessus.
- ❑ N'installez pas le téléviseur sur un meuble qui peut facilement être escaladé, par exemple une commode à tiroirs.
- ❑ Veillez à installer le téléviseur dans un endroit où il ne risque pas d'être poussé, tiré ou renversé.
- ❑ Veillez à acheminer tous les cordons d'alimentation CA et câbles de raccordement de manière à ce qu'ils soient hors de la portée des enfants, qui pourraient les manipuler ou les tirer par curiosité.

## Établissements médicaux

N'installez pas ce téléviseur dans un endroit où des appareils médicaux sont utilisés. Il pourrait entraîner des problèmes de fonctionnement des appareils médicaux.



## Utilisation à l'extérieur

N'installez pas ce téléviseur à l'extérieur. N'exposez pas le téléviseur à la pluie ou à la lumière directe du soleil pour éviter de l'endommager et de provoquer des risques d'incendie ou d'électrocution.

## N'installez pas ce téléviseur dans un véhicule ou sur un bateau ou autre embarcation

- Les sursauts excessifs d'un véhicule en mouvement ou le mouvement de balancier répété d'un bateau peuvent faire tomber le téléviseur et entraîner des blessures.
- L'exposition du téléviseur à l'eau de mer peut poser un risque d'incendie ou causer des dommages au téléviseur.



## Champ magnétique

- Les haut-parleurs de ce téléviseur contiennent un aimant puissant générant un champ magnétique. Veillez à tenir tout objet sensible aux champs magnétiques à distance des haut-parleurs.
- L'installation d'appareils externes à trop grande proximité du téléviseur peut provoquer une distorsion de l'image ou des parasites sonores, en raison des radiations électromagnétiques.

## Installation au mur

- L'installation au mur nécessite l'utilisation d'un support de fixation murale. Pour l'installation ou le démontage du téléviseur et du support de fixation murale, faites appel à un entrepreneur qualifié. Si le téléviseur est mal fixé pendant l'installation ou le retrait du support de fixation murale, il peut tomber et causer des blessures graves.
- Suivez bien le guide d'installation fourni avec le support de fixation murale lors de l'installation du téléviseur.
- Veillez à fixer les supports avec les pièces indiquées fournies avec le support de fixation murale.
- Ne suspendez pas le téléviseur au plafond. Il pourrait tomber et provoquer des blessures graves.



- N'accrochez aucun objet au téléviseur.
- Ne laissez pas les enfants monter sur le téléviseur.



## CORDON D'ALIMENTATION CA

- Ne touchez pas le cordon d'alimentation CA ou la fiche avec des mains humides, ce qui pourrait provoquer l'électrocution.
- Pour débrancher le cordon d'alimentation CA, saisissez d'abord la fiche et débranchez-la de la prise murale. Ne tirez pas sur le cordon lui-même.
- Maintenez le cordon d'alimentation à l'abri des sources de chaleur.



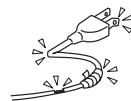
- Un téléviseur doté d'un cordon d'alimentation CA avec une fiche à trois broches avec mise à la terre doit être branché dans une prise de courant CA comportant une protection de mise à la terre (applicable seulement aux produits de Classe I).
- Ne modifiez pas et n'endommagez pas le cordon d'alimentation CA.
- Faites changer toute prise défectueuse par votre électricien afin de pouvoir y brancher votre téléviseur.

Le fait de soumettre le cordon d'alimentation à une usure prématurée et/ou à un mauvais traitement peut entraîner des dommages au cordon d'alimentation CA et au téléviseur.

- N'installez pas le téléviseur à un endroit où le cordon d'alimentation peut être facilement pincé, plié ou tordu, ou faire trébucher quelqu'un.



- Ne laissez rien reposer ou rouler sur le cordon.
- Pour votre sécurité, débranchez le cordon d'alimentation CA avant de brancher les câbles.
- Ne déplacez pas le téléviseur lorsque le cordon d'alimentation CA est branché, ni lorsque d'autres câbles (audio ou vidéo, par exemple) sont raccordés.
- Utilisez uniquement un cordon d'alimentation CA Sony d'origine pour votre téléviseur; aucune autre marque ne convient.
- N'utilisez pas le cordon d'alimentation CA fourni avec le téléviseur sur un autre appareil.
- N'utilisez jamais un cordon d'alimentation CA endommagé. Un cordon d'alimentation CA endommagé peut provoquer un court-circuit, ce qui peut causer un incendie ou l'électrocution.



Ne branchez pas votre téléviseur dans une prise de courant endommagée ou dans laquelle la fiche ne s'insère pas bien.

- ❑ Insérez la fiche complètement dans la prise. Un branchement lâche peut entraîner un arc électrique et un incendie.
- ❑ Ne surchargez pas la prise de courant CA.



Pour interrompre complètement l'alimentation électrique du téléviseur, débranchez le cordon d'alimentation CA de la prise de courant.

- ❑ Pendant les orages et lorsque vous n'utilisez pas le téléviseur pendant une longue période, débranchez le cordon d'alimentation CA de la prise de courant. Cette mesure vise à éviter des dommages potentiels à votre téléviseur. Débranchez également l'antenne pour éviter les dommages au téléviseur.
- ❑ Pour des raisons de sécurité et pour économiser l'électricité, exercez-vous à débrancher le cordon d'alimentation CA de la prise de courant CA.



## Nettoyez la fiche du cordon d'alimentation CA

Débranchez la fiche du cordon d'alimentation CA et nettoyez-la de temps à autre pour éviter l'accumulation de poussière. Pendant le nettoyage, vérifiez que le cordon est en bon état. N'utilisez jamais un cordon d'alimentation CA endommagé.



## ACCESSOIRES

Gardez les petits accessoires hors de la portée des enfants. N'utilisez que les accessoires indiqués par le fabricant avec ce téléviseur.

## Réglage du volume

- ❑ Si vous utilisez des écouteurs, ne réglez pas le son à un volume excessif afin d'éviter d'endommager votre ouïe.



## PILES

Les piles de la télécommande sont des produits consommables.

- ❑ Disposez des piles de façon environnementale. Certaines régions peuvent réglementer la disposition des piles. Veuillez consulter vos autorités locales.
- ❑ Ne jetez pas les piles au feu.
- ❑ Ne court-circuitez pas les piles, ne les démontez pas et ne les faites pas surchauffer.
- ❑ N'exposez pas les piles à une chaleur excessive, par exemple au soleil, près du feu, etc.

## ÉCRAN ACL

- ❑ Bien que l'écran ACL soit le fruit d'une technologie de haute précision et que 99,99% ou plus de ses pixels soient efficaces, des points noirs ou des points lumineux (rouges, bleus ou verts) peuvent apparaître en permanence à l'écran ACL. Ceci est une propriété structurelle du panneau ACL et ne constitue pas un problème de fonctionnement.
- ❑ L'écran ACL de ce téléviseur a été conçu à partir de technologies de haute précision, et afin d'obtenir le meilleur rendement et la meilleure qualité d'image possible, le rétroéclairage du téléviseur est réglé pour en maximiser la luminosité. Toutefois, il est possible que vous observiez des zones moins claires que d'autres lorsque vous regardez un téléviseur ACL dans une pièce sombre alors que rien n'est affiché à l'écran. Il s'agit d'un phénomène normal et non d'un défaut de l'appareil. Le réglage des fonctions Mode image et Rétroéclairage, ou encore l'activation du Capteur de lumière (si applicable) ou de la fonction de gestion de l'alimentation vous permettent de régler l'écran afin d'améliorer cet aspect.
- ❑ Afin d'éviter d'endommager le panneau ACL, n'exposez pas l'écran ACL à la lumière directe du soleil.
- ❑ N'appuyez pas sur l'écran ACL, ne l'égratignez pas et ne placez pas d'objets sur le téléviseur. Cela pourrait provoquer l'instabilité de l'image ou des dommages au panneau ACL.
- ❑ Si le téléviseur est utilisé dans un environnement froid, l'image peut apparaître sale ou sombre. Ceci n'est pas le signe d'un problème de fonctionnement. Ce phénomène disparaît au fur et à mesure que la température augmente.
- ❑ Une image fantôme peut apparaître lorsque des images fixes sont affichées en continu. Elle devrait disparaître après quelques instants.

- ❑ L'écran ACL et le boîtier deviennent chauds lorsque le téléviseur est en cours d'utilisation. Il ne s'agit pas d'un problème de fonctionnement.
- ❑ Évitez de vaporiser sur l'écran ACL tout répulsif insecticide contenant des produits volatils.
- ❑ Évitez le contact prolongé de l'écran ACL avec le caoutchouc et les matériaux plastiques.

## Écran endommagé

Ne jetez rien vers l'écran LCD et ses bords car l'impact peut faire craquer, se casser ou se briser en éclats le verre de l'écran LCD.

- ❑ Si le panneau ACL venait à être endommagé, des traces de cristaux liquides peuvent se retrouver entre deux épaisseurs de verre, parmi les morceaux de verre brisé.
- ❑ Ne touchez pas le verre brisé à mains nues. Comme dans toute situation de bris de verre, évitez le contact avec la peau et tenez les morceaux de verre à l'écart des yeux et de la bouche. Évitez le contact direct avec le liquide répandu et les morceaux de verre humides, car ces produits peuvent avoir un effet néfaste pour certaines personnes. En cas de contact, rincez la zone affectée abondamment à l'eau courante. Si des symptômes apparaissent, consultez votre médecin.
- ❑ Si la surface du téléviseur se fissure, ne touchez pas le téléviseur avant d'avoir débranché le cordon d'alimentation CA. Sinon, vous pourriez vous électrocuter.



## RÉPARATION

N'utilisez pas le téléviseur si vous constatez ou croyez qu'il est endommagé.

- ❑ Ne tentez pas de réparer le téléviseur vous-même, car l'ouverture du boîtier pourrait vous exposer à des zones de tension élevée et à d'autres dangers. Pour toute réparation, adressez-vous à un technicien qualifié.
- ❑ Si des pièces doivent être remplacées, demandez au technicien de certifier par écrit que les pièces de rechange adéquates ont été utilisées et que leurs caractéristiques sont similaires ou identiques à celles des pièces d'origine. Toute substitution non autorisée pourrait causer un incendie, l'électrocution ou d'autres dangers.



## Révision de sécurité

- ❑ Après toute réparation ou tout entretien du téléviseur, demandez au technicien d'effectuer une vérification de routine, telle que spécifiée par Sony, et de certifier que le téléviseur fonctionne en toute sécurité. Si le téléviseur ne peut pas être utilisé de façon sécuritaire, confiez sa mise au rebut à un technicien qualifié.



## ATTENTION

- ❑ Certaines personnes peuvent ressentir de l'inconfort (tel que de la fatigue oculaire, fatigue ou nausée) pendant le visionnement d'images vidéo 3D ou de jeux en 3D stéréoscopique. Sony recommande à tous les utilisateurs de prendre régulièrement des pauses pendant le visionnement d'images vidéo 3D ou les parties de jeux en 3D stéréoscopique. La durée et la fréquence des pauses nécessaires varient d'une personne à l'autre. C'est à vous de décider ce qui vous convient le mieux. En cas d'inconfort, cessez de visionner des images vidéo 3D ou de jouer à des jeux en 3D stéréoscopique jusqu'à ce que les symptômes disparaissent; consultez un médecin si vous pensez que cela est nécessaire. La vision des jeunes enfants (en particulier ceux de moins de 6 ans) est en plein développement. Consultez votre médecin (tel qu'un pédiatre ou ophtalmologiste) avant de permettre aux jeunes enfants de visionner des images vidéo 3D ou jouer à des jeux en 3D stéréoscopique. Les adultes doivent surveiller les jeunes enfants pour s'assurer qu'ils suivent les recommandations cidessus.



## Fonctionnalités de l'expérience haute définition complète de BRAVIA<sup>MD</sup>

Nous vous remercions d'avoir choisi Sony! Votre nouveau téléviseur BRAVIA<sup>MD</sup> est la clé d'une « expérience haute définition complète ». Le présent document vous aidera à préparer votre nouveau téléviseur pour l'utilisation.

Prenez quelques instants pour compléter l'enregistrement de votre téléviseur à l'adresse suivante :

**Canada :**

<http://www.sony.ca/fr/registration>

**États-Unis :**

<http://productregistration.sony.com>

## Les quatre éléments d'une expérience haute définition complète

Le téléviseur, la source, le son et la configuration.

### 1 Téléviseur

Maintenant que vous avez choisi la meilleure technologie qui soit en matière de téléviseurs ACL, veillez à retirer tous les accessoires de l'emballage avant d'installer votre téléviseur.

### 2 Source

Pour faire l'expérience du niveau de détail incroyable qu'offre votre téléviseur

**BRAVIA**, vous devez vous abonner au service de télévision HD.

- Obtenez un signal ou une source en haute définition (HD) en communiquant avec votre fournisseur de services HD.

Ce téléviseur affiche tous les types de format d'image en résolution de 3 840 points × 2 160 lignes.

- Recevez des émissions en HD diffusées sur les ondes par l'intermédiaire d'une antenne de qualité HD branchée directement à l'arrière du téléviseur. Visitez le site

<http://www.antennaweb.org> pour plus de renseignements sur le choix et l'installation d'une antenne.

- Découvrez tout un monde de divertissement maintenant offert en super-haute définition sur les lecteurs Blu-ray Disc<sup>MC</sup> et autres appareils HD de Sony.

### 3 Son

Complétez l'expérience haute définition avec une chaîne de cinéma maison ambiophonique **BRAVIA Sync<sup>MC</sup>** ou un récepteur audio-vidéo de Sony.

### 4 Configuration


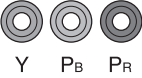



Installez votre téléviseur et raccordez vos sources de signal. Reportez-vous à la page 23 pour des exemples de schémas de connexion. Pour vous aider à obtenir la meilleure qualité d'image possible lors de votre expérience HD, utilisez des câbles HDMI (High- Definition Multimedia Interface) de Sony.

### Pour en savoir plus sur la télévision en HD, visitez :

**Canada :** <http://www.sony.ca/fr/hdtv>

**États-Unis :** <http://www.sony.com/HDTV>

Le tableau ci-dessous indique les formats de haute définition (HD) et de définition standard (SD) pris en charge par les entrées de votre téléviseur **BRAVIA**.

	CONNECTEUR	VIDEO	AUDIO	Formats pris en charge								
				1080/24p/30p	1080p <sup>*1</sup>	1080i	720/24p/30p	720p <sup>*1</sup>	480p	480i	PC <sup>*2</sup>	
<b>HD</b>	<b>HDMI</b>		Lorsque le câble HDMI est relié à une prise DVI à l'aide d'un adaptateur, un câble audio G/D est nécessaire.	✓	✓	✓	✓	✓	✓	✓	✓	✓
	<b>Composant</b>	 Y P <sub>B</sub> P <sub>R</sub>	 Prise audio L/R (G/D)		✓	✓			✓	✓	✓	
<b>SD</b>	<b>Vidéo</b>	 Connexion vidéo composite	 Prise audio L/R (G/D)								✓	

\*1 Pour plus de détails sur les formats pris en charge, reportez-vous à la section « Caractéristiques techniques » de ce manuel.

\*2 Pour connaître les formats de signal pris en charge en provenance d'un ordinateur, consultez le i-Manual.



# À propos de ce manuel (Mode d'emploi)

Ce manuel explique comment configurer votre téléviseur. Pour plus de détails sur l'utilisation de votre téléviseur BRAVIA, reportez-vous au « Manuel électronique ».

## Mode d'emploi

Explique comment installer votre téléviseur tels que les branchements, la configuration initiale et le fonctionnement de base.

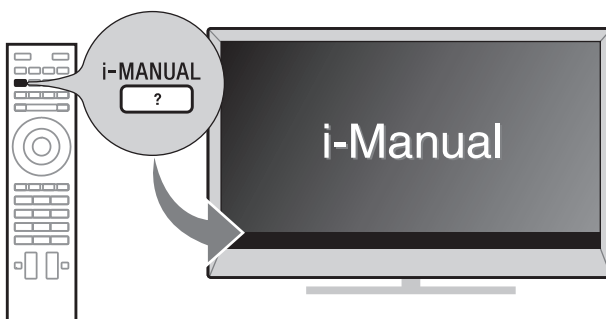


**Pour plus de détails, appuyez sur la touche i-MANUAL.**



## Manuel électronique (i-Manual)

Explique comment utiliser toutes les fonctions. Allez à la page 43 pour savoir comment utiliser le i-Manual.



Les images et les illustrations utilisées dans le présent mode d'emploi peuvent différer du présent écran.

# Table des matières

## Pour commencer

Vérifier les accessoires .....	16
Insérer les piles dans la télécommande .....	16
Avant d'installer votre téléviseur.....	17
1: L'assemblage du support de table est requis .....	18
2: Ajuster l'angle des haut-parleurs .....	22
3: Raccorder le téléviseur .....	23
4: Fixer le téléviseur.....	28
5: Connecter le cordon d'alimentation CA .....	30
6: Regrouper les câbles.....	30
7: Brancher le téléviseur à Internet .....	31
8: Exécuter la configuration initiale .....	32
Utiliser un support de fixation murale.....	34
Installation du téléviseur contre un mur ou dans un endroit fermé.....	35

FR

## Utiliser votre téléviseur BRAVIA

### Regarder la télévision ► ..... 36

Choisir fonctions et réglages divers (menu d'accueil).....	38
Regarder Vidéo Internet.....	41

## Rechercher des instructions

### Rechercher des instructions dans le manuel électronique (i-Manual) ► ..... 43

## Information complémentaire

Dépannage .....	46
Entretien de votre téléviseur BRAVIA.....	48
Caractéristiques techniques .....	49

# Vérifier les accessoires

Cordon d'alimentation CA (1)

Support de câble (5)

Télécommande (1)\*

Piles AAA (2)

Cou court (2)

Couvre cou court (2)

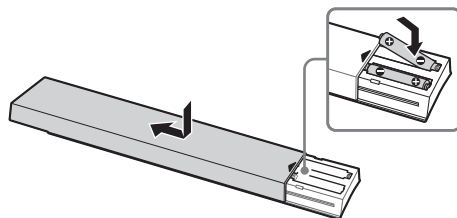
Lunettes 3D (2)

Pochette pour lunettes 3D (2)

**Mode d'emploi (ce manuel) et autres documents**

\* Reportez-vous au nom de modèle imprimé sur la télécommande.

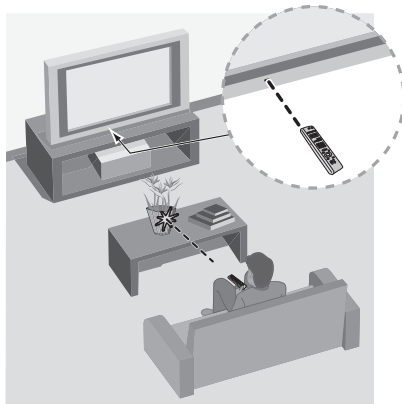
# Insérer les piles dans la télécommande



- 1 Retirez le feuillet protecteur.
- 2 Pour l'ouvrir, appuyez sur le couvercle et faites-le glisser.

## ■ Directives pour la télécommande

- Pointez la télécommande en direction du capteur infrarouge du téléviseur.
- Assurez-vous qu'aucun objet ne se trouve entre la télécommande et le capteur infrarouge.



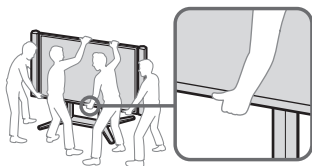
- Les lampes fluorescentes peuvent perturber le fonctionnement de votre télécommande; le cas échéant, éteignez les lampes fluorescentes dans la pièce.
- Si vous éprouvez des difficultés avec la télécommande, réinsérez ou remplacez les piles et assurez-vous qu'elles sont correctement placées dans le logement.

# Avant d'installer votre téléviseur

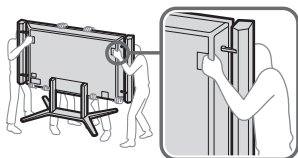
Reportez-vous à la page 34 (Utiliser un support de fixation murale) si vous souhaitez installer ce téléviseur au mur. Tenez compte de ce qui suit pendant l'installation du téléviseur :

- Débranchez tous les câbles avant de transporter le téléviseur.
- Transportez le téléviseur avec le nombre de personnes approprié; un téléviseur de grande taille doit être transporté par au moins quatre personnes.
- Lors du transport du téléviseur, le bon emplacement des mains est très important pour votre sécurité, ainsi que pour éviter de causer des dommages.
- Lors du soulèvement ou le déplacement du téléviseur, tenez-le fermement par le bas.

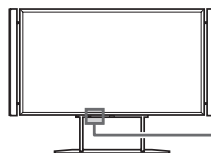
Devant



Derrière



- Évitez de déplacer le téléviseur d'un endroit froid à un endroit chaud. Un changement soudain de température peut provoquer de la condensation. Ce phénomène peut affecter la qualité de l'image et/ou des couleurs affichées par le téléviseur. Si cela se produit, laissez la condensation s'évaporer complètement avant de mettre le téléviseur sous tension.
- Assurez-vous qu'aucun objet ne se trouve devant le téléviseur.



Capteur infrarouge

FR

- Assurez-vous que le téléviseur est entouré d'une ventilation adéquate; reportez-vous à la page 35.
- Pour obtenir une qualité d'image optimale, n'exposez pas l'écran à la lumière directe d'une lampe ou du soleil.
- Évitez d'installer le téléviseur dans une pièce dont le sol et les murs sont d'un matériau réfléchissant.

# 1: L'assemblage du support de table est requis

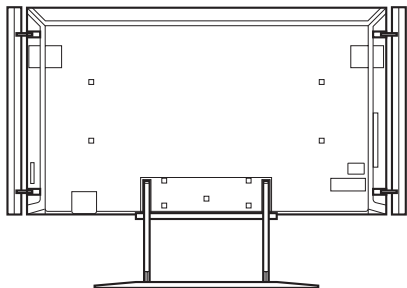


Veillez lire et suivre les instructions ci-dessous lors de l'assemblage du support de table afin d'éviter tout risque d'endommager le téléviseur.

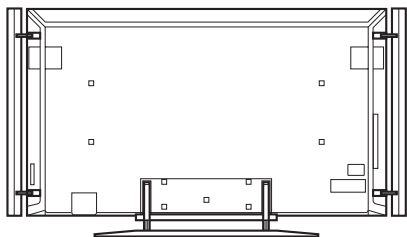
Reportez-vous aux instructions ci-dessous sur comment changer le Meuble Pour Téléviseur à Support de table.



- N'appliquez pas de pression sur l'écran ACL ou sur le cadre entourant l'écran.



Téléviseur avec Meuble Pour Téléviseur



Téléviseur avec support de table

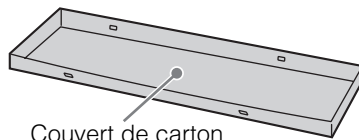


- Si vous utilisez un tournevis électrique, réglez le couple de serrage à environ 1,5 N·m (15 kgf·cm).

Avant de désinstaller le Meuble Pour Téléviseur, exécutez les étapes suivantes.

Déposez le couvert de carton sur le plancher.

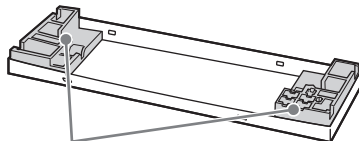
1



Couvert de carton

Déposez les coussinets des coins inférieurs sur le couvert de carton.

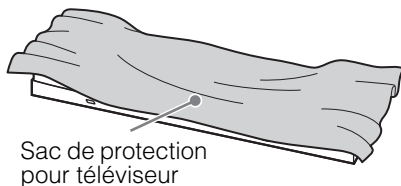
2



Coussinets des coins inférieurs

Déposez le sac de protection pour téléviseur sur les coussinets.

3



Sac de protection pour téléviseur

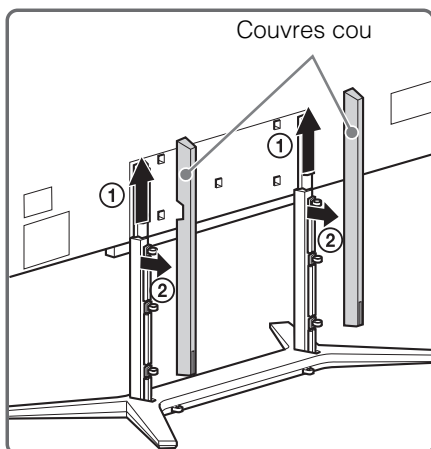


## Démonter le Meuble Pour Téléviseur du téléviseur

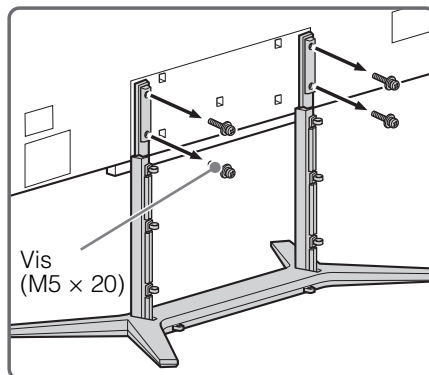


- N'enlevez pas le Meuble Pour Téléviseur pour aucune raison autre que l'installation des accessoires correspondants sur le téléviseur.
- Lors de l'installation du téléviseur au mur, enlevez les vis de l'arrière du téléviseur. (Elles sont fixées dans les orifices servant au montage mural.) Veillez à ranger les vis retirées dans un endroit sûr, hors de la portée des enfants.
- Pour fixer de nouveau le Meuble Pour Téléviseur, veillez à utiliser les vis (que vous avez enlevées précédemment) dans les mêmes orifices à l'arrière du téléviseur.

- 1** Faites glisser les couvercles vers le haut afin de les retirer du Meuble Pour Téléviseur.



- 2** Retirez les vis qui retiennent le Meuble Pour Téléviseur au téléviseur.

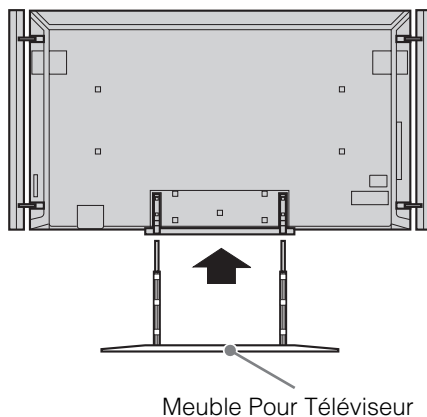


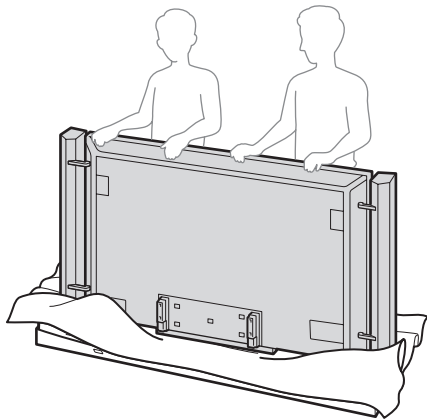
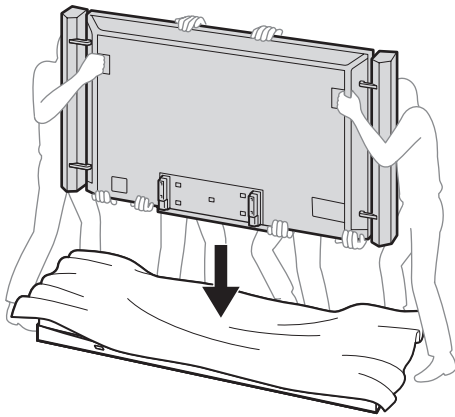
FR



- Veillez à ranger les vis retirées dans un endroit sûr. Réutilisez les vis lorsque vous refixerez le support de table.

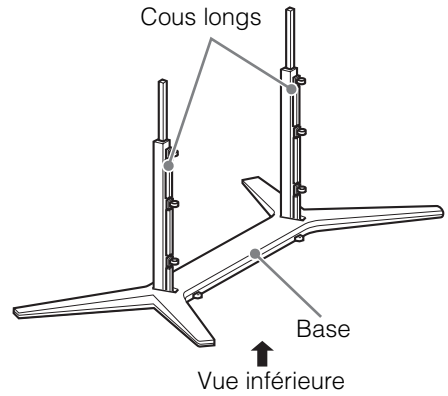
- 3** Démontez le téléviseur du Meuble Pour Téléviseur et déposez-le sur le couvert de carton. Soutenez le téléviseur lorsque vous changez de cou afin d'empêcher celui de basculer.



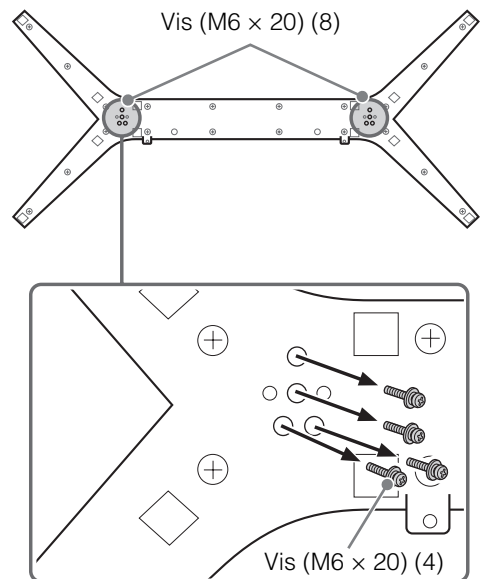


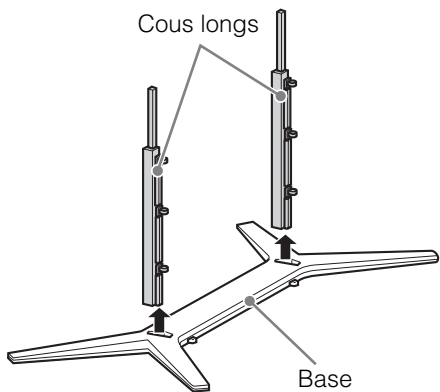
## Fixer le support de table

- 1 Retirez les vis de la partie inférieure du Meuble Pour Téléviseur et démontez les cous longs de la base.

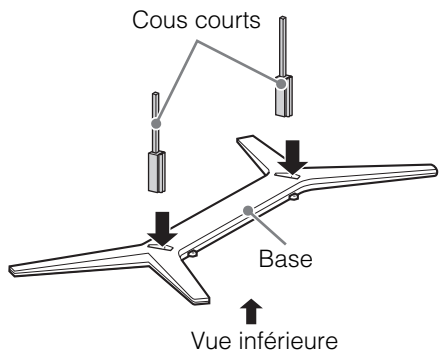


### Vue inférieure

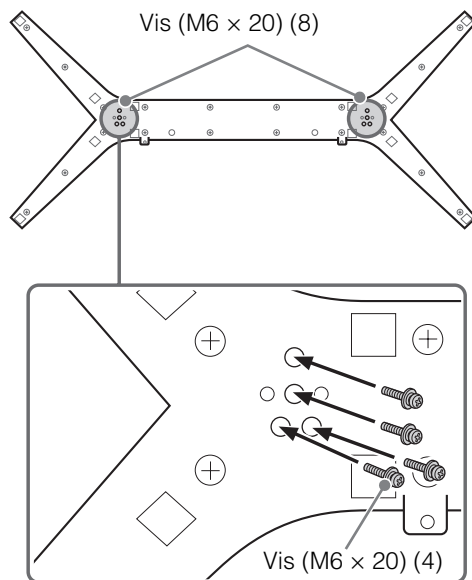




**2** Fixez les cous courts à la base à l'aide des vis retirées à l'étape 1 « Fixer le support de table » (page 20).

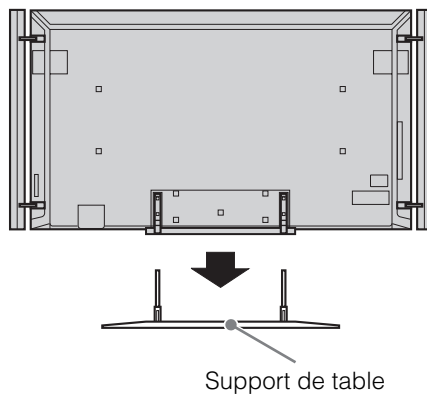


### Vue inférieure

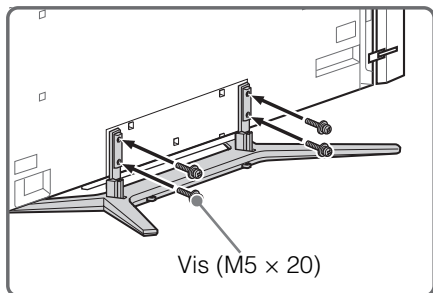


FR

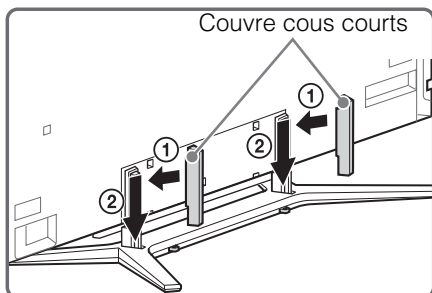
**3** Fixez le téléviseur sur le support de table.



- 4** Fixez le support de table à l'aide des vis que vous avez retiré précédemment à l'étape 2 de « Démontez le Meuble Pour Téléviseur du téléviseur » (page 19).

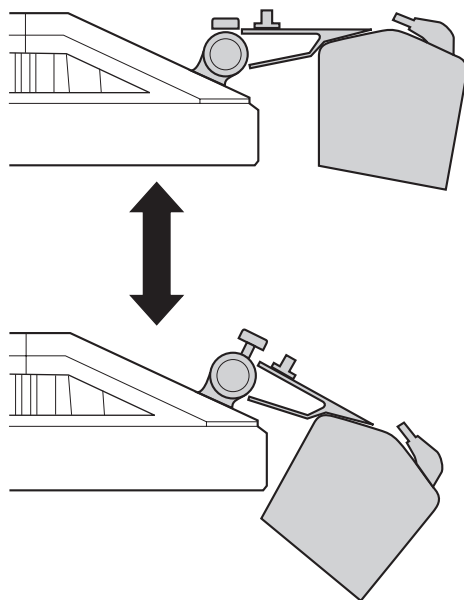
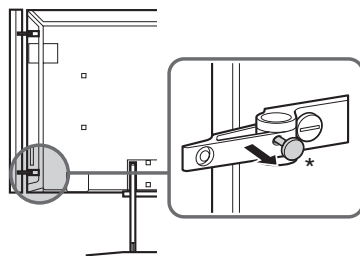


- 5** Fixez les couvre-cous courts au support de table.



## 2: Ajuster l'angle des haut-parleurs

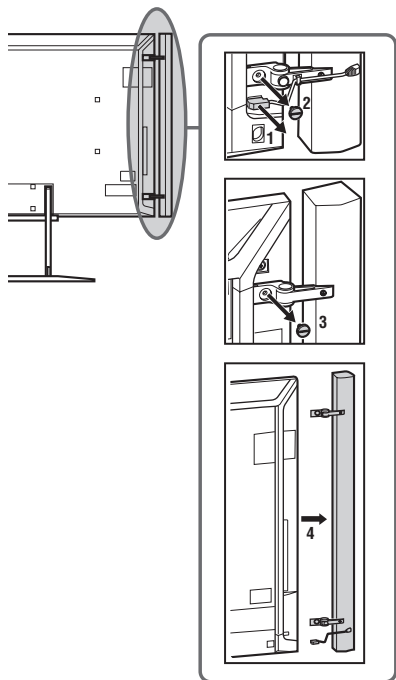
Pour accéder aux terminaux à l'arrière du téléviseur lorsque celui-ci est fixé au mur, ajustez l'angle des haut-parleurs en desserrant la vis en suivant les indications de l'illustration.



\* Assurez-vous de bien resserrer la vis après avoir ajusté les haut-parleurs à l'angle original.

## Démonter les haut-parleurs du téléviseur

Les haut-parleurs peuvent être démontés du téléviseur si vous souhaitez utiliser un système audio séparé (p.ex. système de cinéma-maison). Reportez-vous aux instructions ci-dessous sur comment démonter les haut-parleurs.



- 1** Débranchez le câble des haut-parleurs.
- 2** Retirez les vis du raccord inférieur du haut-parleur.
- 3** Retirez les vis du raccord supérieur du haut-parleur.
- 4** Tirez sur le haut-parleur à l'horizontale afin de le détacher.  
Recommencez les étapes 1 à 4 pour détacher l'autre haut-parleur.

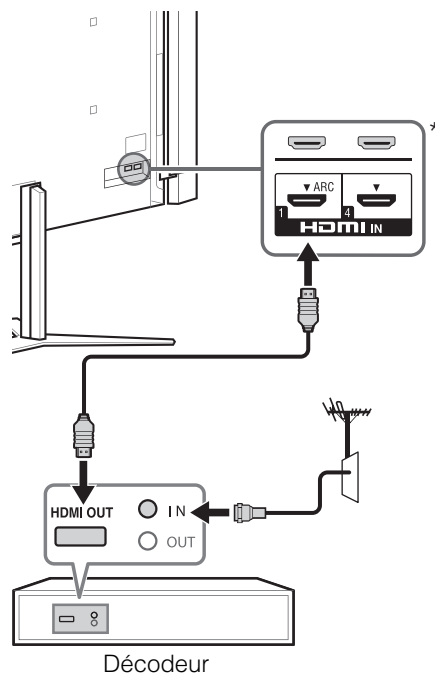
## 3: Raccorder le téléviseur



- Utiliser un raccord de câble d'antenne d'une épaisseur de moins de 14 mm.
- Utiliser un raccord de câble HDMI d'une épaisseur de 12 mm d'épaisseur par 21 mm de largeur.
- Utilisez des câbles HDMI Sony portant l'indication « Haute Vitesse » pour la connexion HDMI.

FR

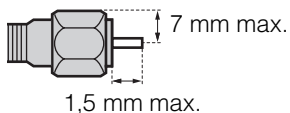
### ■ Illustré avec un décodeur avec la connexion à HDMI



\* Seuls HDMI 2 et HDMI 3 prennent en charge la résolution 4K (sur le côté du téléviseur).

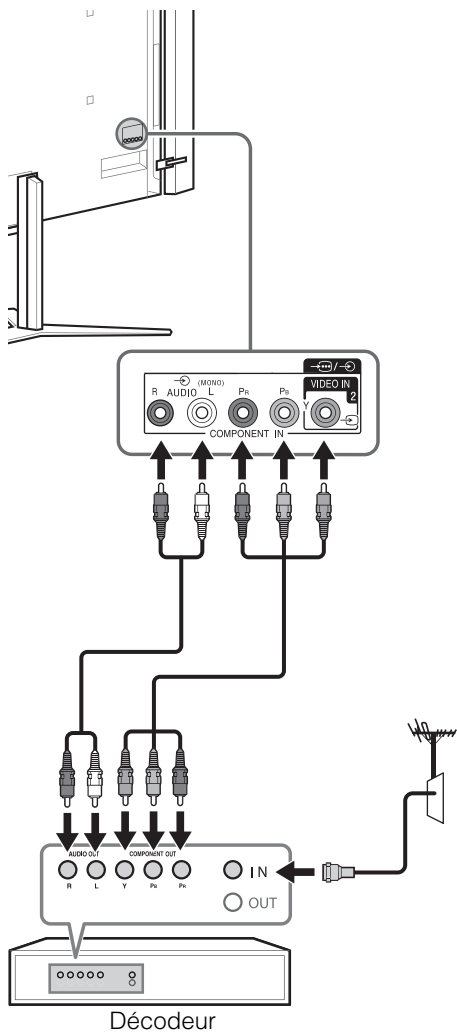
## Recommandation relative à la prise de type F

La partie saillante de la tige centrale du connecteur doit être de moins de 1,5 mm.

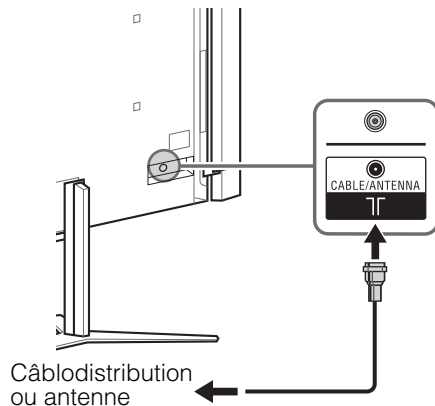


(Schéma de référence de la prise de type F)

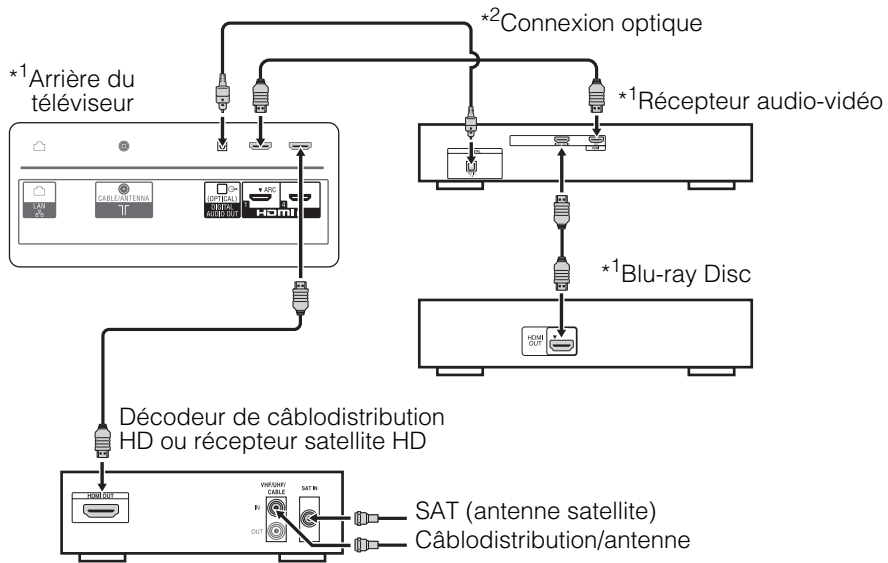
## ■ Illustré avec un décodeur avec la connexion COMPONENT



## ■ Système de câblodistribution ou d'antenne VHF/UHF



## ■ Illustré avec une connexion HD BRAVIA® Sync™ de base

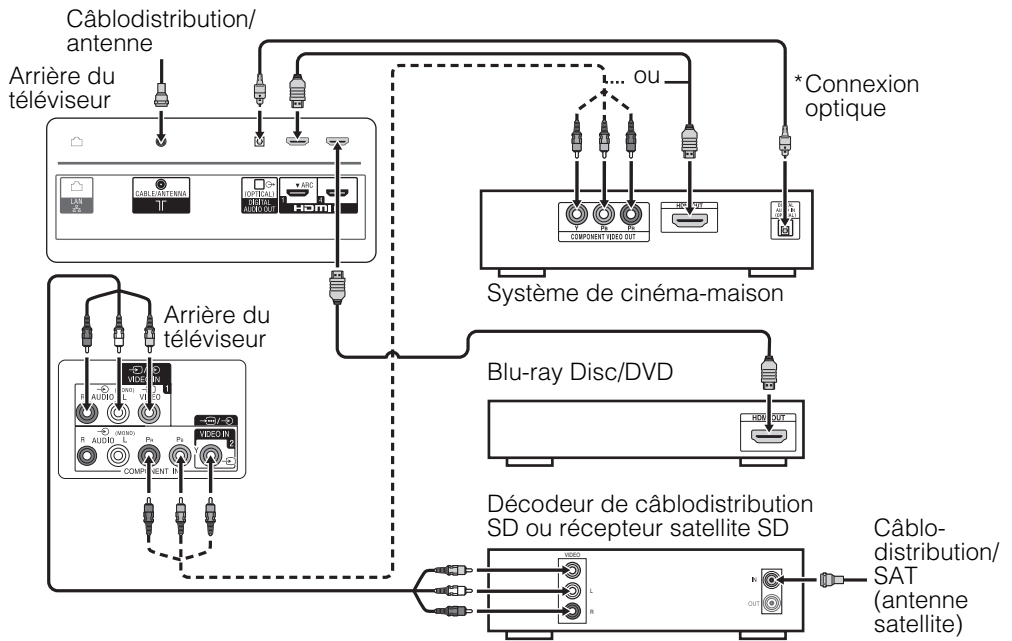


FR

\*1 Indique un appareil doté de la fonctionnalité BRAVIA Sync.

\*2 La connexion optique est requise seulement lorsque le récepteur audio-vidéo n'est pas compatible ARC (Audio Return Channel).

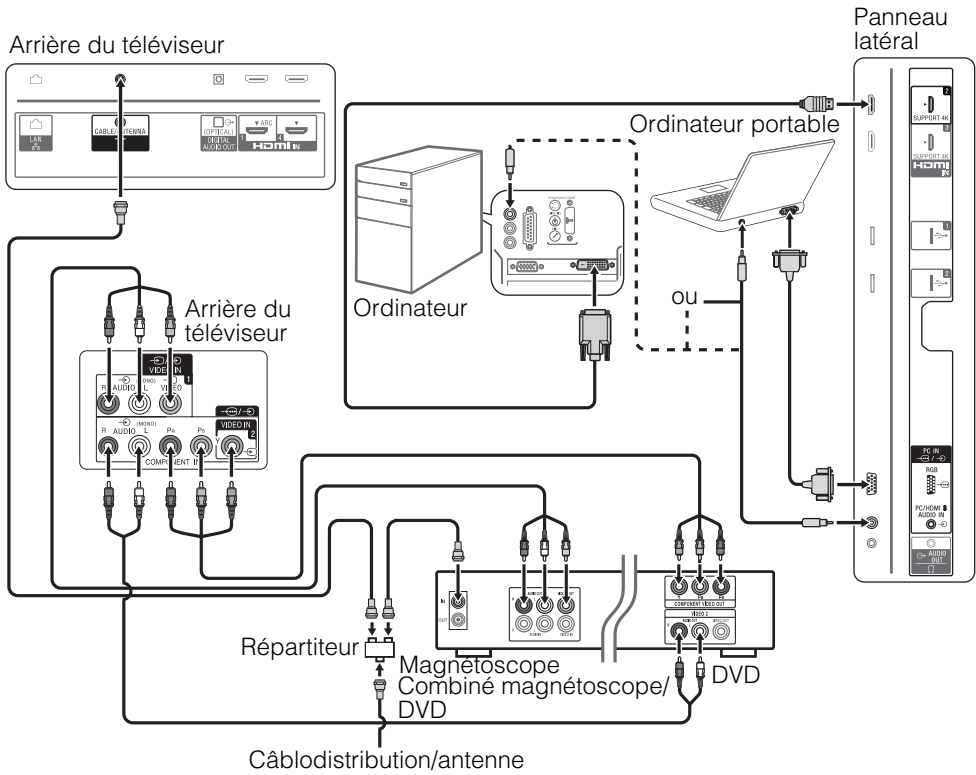
■ **Illustré avec une connexion HD de base avec un système de cinéma-maison**



\* La connexion optique est requise seulement lorsque le système de cinéma-maison n'est pas compatible ARC (Audio Return Channel) et qu'il est connecté en HDMI.



■ **Illustré avec la connexion à un ordinateur avec un magnétoscope ou lecteur DVD à définition standard**



FR

## 4: Fixer le téléviseur



Sony recommande fortement de prendre les mesures nécessaires pour prévenir le basculement du téléviseur.

Des téléviseurs qui ne sont pas fixés solidement peuvent basculer et entraîner des dommages matériels, des blessures corporelles graves ou même mortelles.

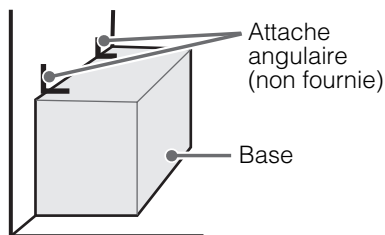
### Prévenir le basculement du téléviseur

- Fixer solidement le téléviseur à un mur et/ou à un support.
- Ne pas laisser les enfants jouer ou monter sur les meubles et les téléviseurs.
- Éviter de placer ou d'accrocher des objets sur le téléviseur.
- Ne jamais installer le téléviseur sur :
  - des surfaces glissantes, instables et/ou inégales.
  - un meuble qui peut facilement servir d'escalier, comme une commode à tiroirs.
- Installez le téléviseur où il ne peut pas être tiré, poussé ou renversé.
- Acheminez les cordons d'alimentation CA et les cordons connecteurs afin qu'ils ne soient pas accessibles aux enfants curieux.

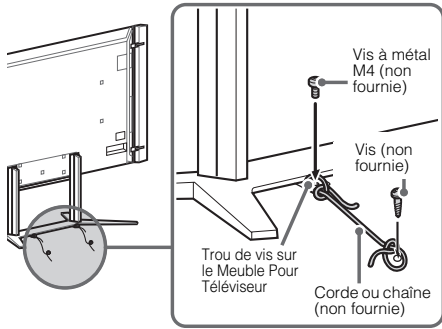
### Mesures recommandées pour fixer solidement le téléviseur

Tenez compte des mesures suivantes lorsque vous fixez votre téléviseur à une base (non fournie) ou au sol.

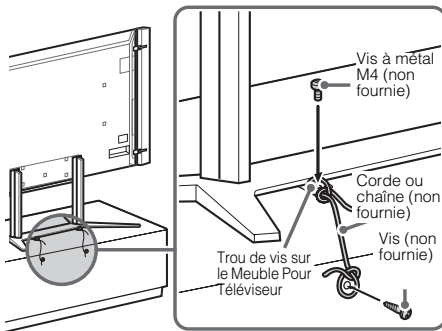
- 1** Fixer solidement la base du téléviseur. Assurez-vous que la base peut supporter adéquatement le poids du téléviseur. Utiliser deux attaches angulaires (non fournies) pour fixer solidement la base. Avec chaque attache angulaire, utiliser la quincaillerie appropriée pour :
  - Fixer un côté de l'attache angulaire au poteau mural.
  - Fixer l'autre côté à la base.



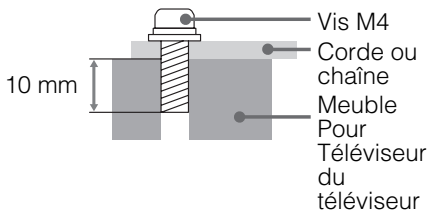
- 2** Fixer solidement le téléviseur à la base ou le plancher. Utiliser la quincaillerie optionnelle mentionnée (non fournie) :
  - Vis à métal M4 (vissée dans le Meuble Pour Téléviseur)
  - Une vis ou l'équivalent (la fixer à la base ou au plancher)
  - Une corde ou une chaîne (assez solide pour supporter le poids du téléviseur). Vous assurer qu'il n'y a pas de mou excessif dans la corde ou la chaîne.



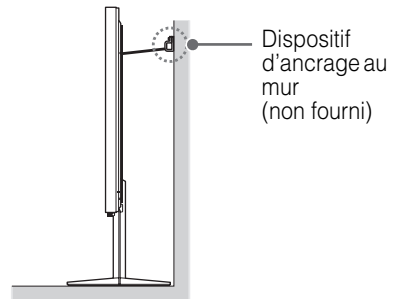
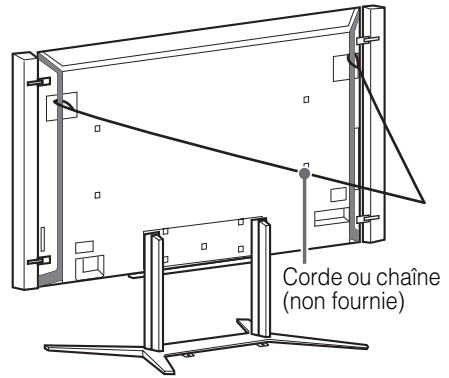
**OU**



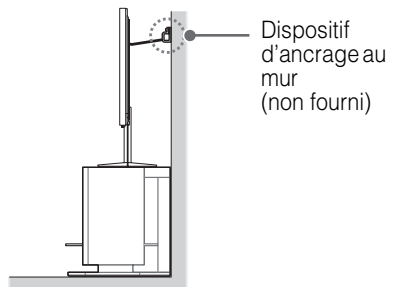
La longueur des vis à métal M4 diffère selon le diamètre de la corde ou de la chaîne. Reportez-vous à l'illustration ci-dessous.



- 3** Attacher le téléviseur au mur.  
Fixez le téléviseur au mur avec un dispositif d'ancrage au mur et une chaîne (ou une corde).

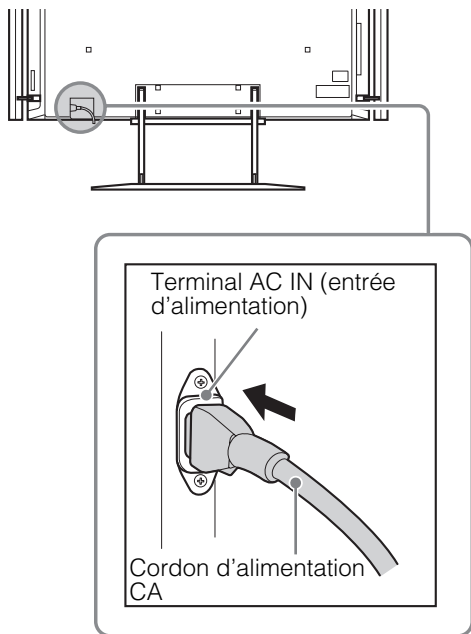


**OU**



- La mesure 2 fournit une protection minimale contre le basculement du téléviseur. Pour une protection supplémentaire, suivre toutes les trois mesures recommandées ci-dessus.

## 5: Connecter le cordon d'alimentation CA



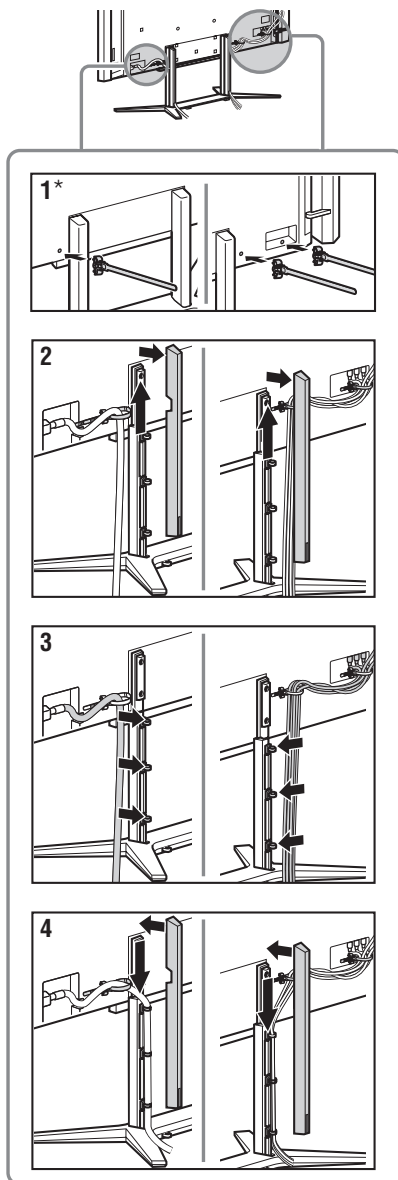
- Assurez-vous que le cordon d'alimentation CA est inséré jusqu'au fond dans le terminal CA IN.

## 6: Regrouper les câbles



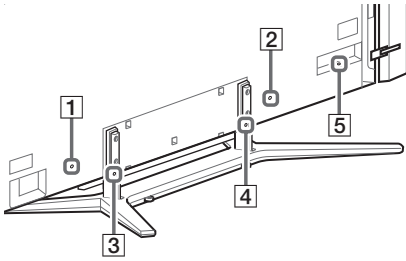
- Ne grouper pas le câble d'alimentation avec les autres câbles.

### Meuble Pour Téléviseur

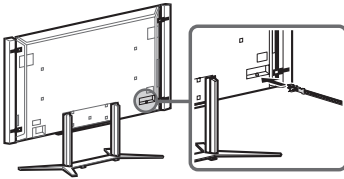


## Support de table

Utilisez **1**, **2**, **3**, **4**, **5**\*



\* Lors de l'installation au mur, fixer le support à câble sous les terminaux.



## 7: Brancher le téléviseur à Internet

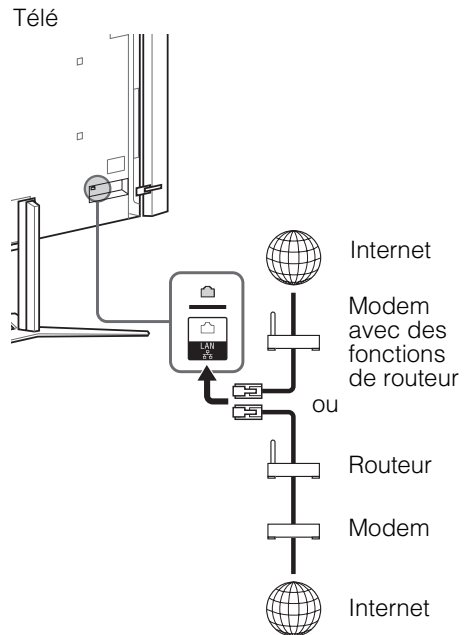
Lorsque ce téléviseur est connecté à Internet, vous profitez de plusieurs fonctions. Pour plus de détails sur les fonctions, reportez-vous au i-Manual.



- Vous aurez besoin d'un abonnement à un fournisseur Internet afin de vous connecter.

FR

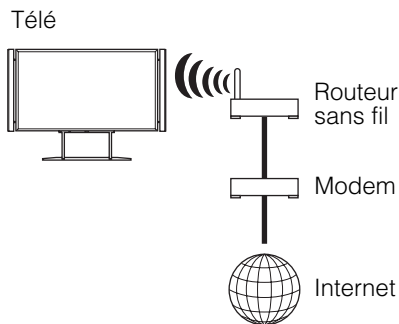
### Préparer un réseau câblé



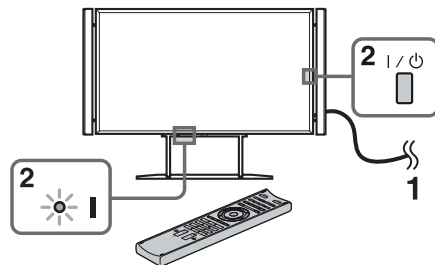
- Pour le raccordement à un réseau local, utilisez un câble de catégorie 7 (non fourni).

## Préparer un réseau sans fil

Le dispositif de réseau sans fil intégré vous permet de connecter votre téléviseur à Internet et à votre réseau domestique. Cette fonction vous permet de vous connecter à un réseau sans fil et de profiter des avantages de la mise en réseau dans un environnement sans câbles. Avant de configurer la fonction sans fil de votre téléviseur, assurez-vous d'avoir configuré le routeur sans fil.



## 8: Exécuter la configuration initiale



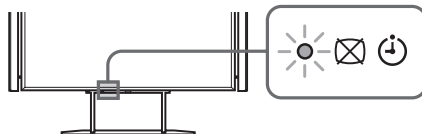
### 1 Terminez vos branchements de câbles avant de commencer la **Configuration initiale**.

Branchez le téléviseur dans la prise de courant la plus proche.

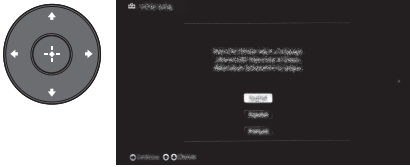
### 2 Appuyez sur la touche **I/⏻** du téléviseur. L'indicateur **I** (alimentation) sera allumé en vert.

Lorsque vous allumez le téléviseur pour la première fois, le menu Langue/ Language s'affiche à l'écran.

- Lorsque vous allumez le téléviseur pour la première fois, le téléviseur doit procéder à une optimisation interne avant de pouvoir effectuer la configuration initiale. Pendant environ 40 secondes, il n'y aura ni image, ni son et le voyant à l'avant du téléviseur clignotera en orangé. Ne pas éteindre le téléviseur lors de cette étape. Cette action a été réalisée en usine sur certains téléviseurs.



- 3** Appuyez sur  $\swarrow/\searrow/\swarrow/\nwarrow$  pour sélectionner un élément, puis appuyez sur  $\oplus$ .  
Suivez les instructions qui s'affichent à l'écran.



- Le mode **Maison** règle les paramètres du téléviseur à des valeurs optimisées pour le visionnement à domicile.

- 4** Sélectionnez **Continuer** pour rechercher les canaux accessibles et activer la fonction **Rovi On Screen Guide**<sup>MC</sup>. Si vous recevez des canaux d'un décodeur de câblodistribution ou d'un récepteur satellite et que vous ne souhaitez pas utiliser le syntoniseur intégré du téléviseur, sélectionnez **Sauter**.  
En sélectionnant **Sauter** vous désactivez la fonction **Rovi On Screen Guide**, qui est seulement disponible lorsque le syntonisateur du téléviseur est en fonction.



- Si vous ignorez la recherche des canaux à partir des menus de configuration, la fonction Rovi On Screen Guide est désactivée.

- 5** Installer la connexion Internet.  
Sélectionnez **Autom.** pour vous connecter au réseau automatiquement.  
Sélectionnez **Personnalisé** pour vous connecter manuellement.

Si vous ne pouvez pas vous connecter à Internet, ou pour configurer la connexion ultérieurement, sélectionnez **Sauter**.



- Si vous utilisez une clé de sécurité WEP, sélectionnez **Personnalisé** → **Configuration sans fil** → **Balayage**.  
Entrez ensuite le nom du réseau (SSID) auquel vous souhaitez vous connecter. Si vous ne trouvez pas le nom de réseau requis, sélectionnez **[Entrée manuelle]** et appuyez sur  $\oplus$  pour entrer un nom de réseau.
- Utilisez l'adaptateur réseau sans fil USB inclus afin de vous brancher à l'aide de votre routeur sans fil (ou point d'accès) à 5 GHz. Insérez l'adaptateur réseau sans fil USB et réglez **Veille pour Wi-Fi Direct** à **Non**. Appuyez sur **HOME**, puis sélectionnez **Réglages** → **Réseau** → **Veille pour Wi-Fi Direct** → **Non**.
- Pour configurer **Configuration du réseau** ultérieurement, appuyez sur **HOME**, puis sélectionnez **Réglages** → **Réseau** → **Configuration du réseau**.

# Utiliser un support de fixation murale

Votre téléviseur peut être installé au mur avec un support de fixation murale (non fourni) dès sa sortie de l'emballage. Il se peut que le Meuble Pour Téléviseur soit fixé au téléviseur, dans ce cas, vous devez d'abord démonter le Meuble Pour Téléviseur; reportez-vous à la page 19 (Démonter le Meuble Pour Téléviseur du téléviseur).

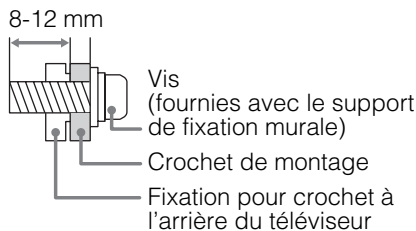
Préparez le téléviseur pour l'installation du support de fixation murale avant d'effectuer le raccordement des câbles.

**Pour des raisons de sécurité et de protection du produit, Sony recommande fortement l'utilisation du modèle de support de fixation murale conçu pour votre appareil, et que l'installation soit effectuée par un détaillant Sony ou un entrepreneur agréé.**

- Allez à la page 5 (Information sur le support de fixation murale compatible).
- Suivez le guide d'instructions fourni avec le support de fixation murale pour votre modèle. Une certaine expertise est nécessaire pour l'installation de ce téléviseur, en particulier en ce qui concerne la solidité du mur en relation avec le poids de l'appareil.
- Lorsque vous fixez les crochets de montage au téléviseur, assurez-vous d'utiliser les vis fournies avec le support de fixation murale.

Les vis fournies sont conçues de manière à mesurer de 8 à 12 mm à partir de la surface de fixation du crochet de montage.

Le diamètre et la longueur des vis varient selon le modèle du support de fixation murale. L'utilisation d'autres vis que celles qui sont fournies peut occasionner des dommages internes au téléviseur ou provoquer sa chute et d'autres dangers.



- Assurez-vous de ranger les vis non utilisées et le Meuble Pour Téléviseur dans un endroit sûr jusqu'à ce que vous soyez prêt à fixer le Meuble Pour Téléviseur. Garder les vis hors de la portée des jeunes enfants.



- Pour plus renseignements sur l'utilisation en toute sécurité, reportez-vous aux pages 4-10.

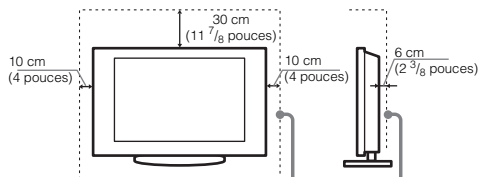


# Installation du téléviseur contre un mur ou dans un endroit fermé

Assurez-vous que l'air circule adéquatement autour du téléviseur. Tel qu'illustré, laissez suffisamment d'espace autour du téléviseur.

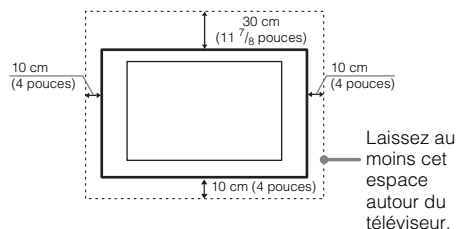
FR

## Installation sur support



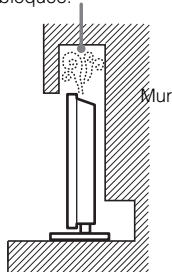
Laissez au moins cet espace autour du téléviseur.

## Installation au mur

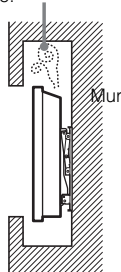


N'installez jamais le téléviseur de la manière suivante:

La circulation d'air est bloquée.

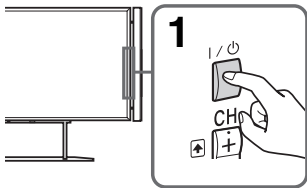


La circulation d'air est bloquée.



- Une ventilation inadéquate peut faire surchauffer le téléviseur et causer des dommages ou déclencher un incendie.

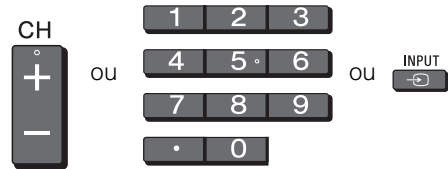
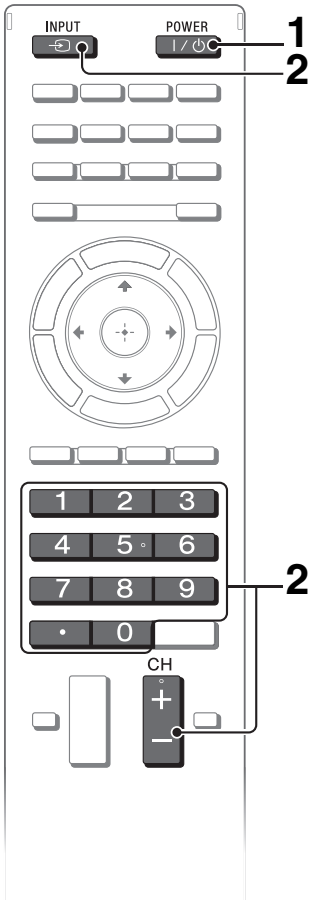
# Regarder la télévision



## 1 Allumez le téléviseur.

Appuyez sur la touche I/⏻ du téléviseur ou de la télécommande pour allumer le téléviseur.

## 2 Sélectionnez un canal de télévision ou une entrée.



### ■ Pour sélectionner les canaux numériques

Utilisez **0-9** et **.**. Par exemple, pour enregistrer le canal 2.1 :

Appuyez sur **2**, **.** et **1**, puis appuyez sur **+**.

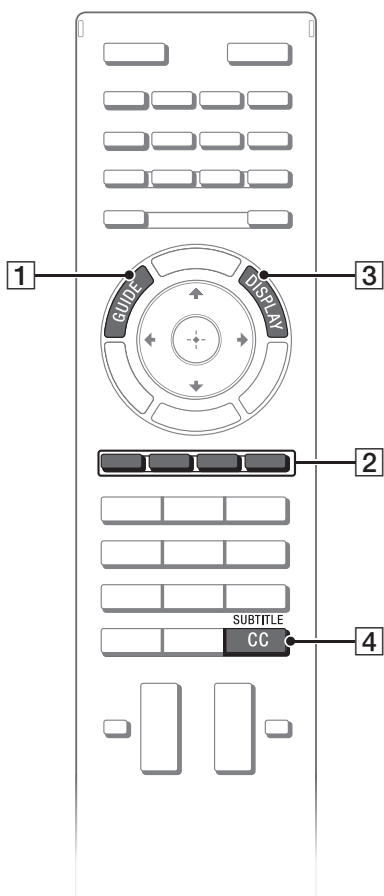
## Visionner du contenu 3D

Cette fonction vous permet de profiter au maximum de la puissance du divertissement 3D tel que les jeux 3D stéréoscopiques et les disques Blu-ray 3D. Reportez-vous au i-Manual pour configurer les réglages 3D ou visionner du contenu 3D.



FR

## Touches utilisées fréquemment



### 1 GUIDE

Affiche le Rovi On Screen Guide d'informations de programmation.

### 2 Touches de couleur

Lorsque les touches de couleur sont disponibles, un guide d'opération apparaît à l'écran.

### 3 DISPLAY

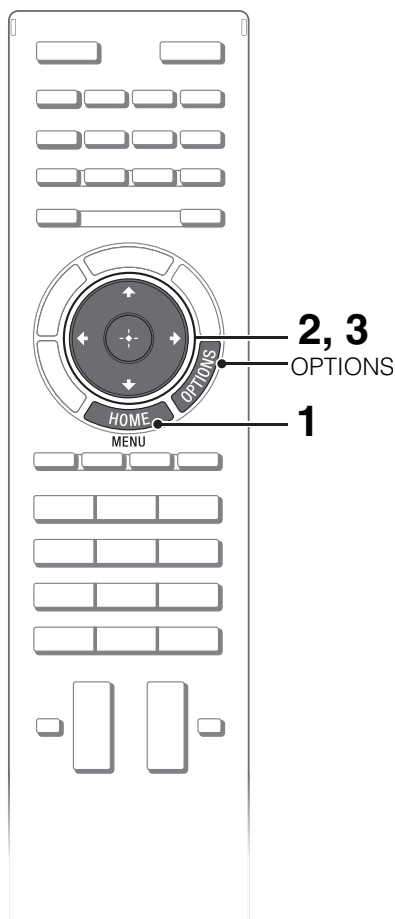
Affiche le numéro du canal, les détails des émissions et l'heure.

### 4 SUBTITLE/CC

Vous pouvez choisir d'activer ou non les sous-titres.

# Choisir fonctions et réglages divers (menu d'accueil)

Vous pouvez choisir les fonctions de votre téléviseur à partir du menu d'accueil.



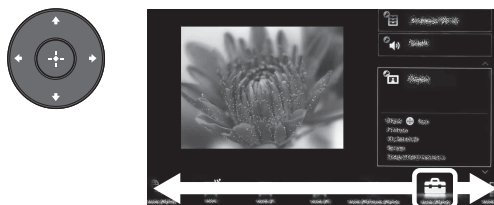
Voici un exemple de comment sélectionner un élément et modifier les réglages du téléviseur.

## 1 Appuyez sur HOME.



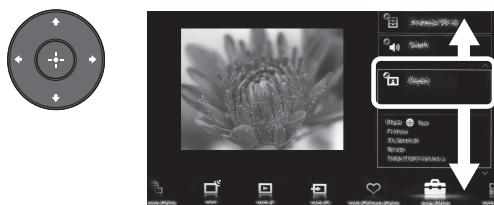
## 2 Appuyez sur $\leftarrow/\rightarrow$ pour sélectionner une catégorie (Réglages).

Le contenu de **Réglages** est affiché à droite.



Allez à page 40 (Liste de catégories) pour toutes les catégories.

## 3 Appuyez sur $\uparrow/\downarrow$ pour sélectionner Image et affichage, puis appuyez sur $\oplus$ .



## 4 Modifier les réglages.

## ■ Pour quitter le menu d'accueil

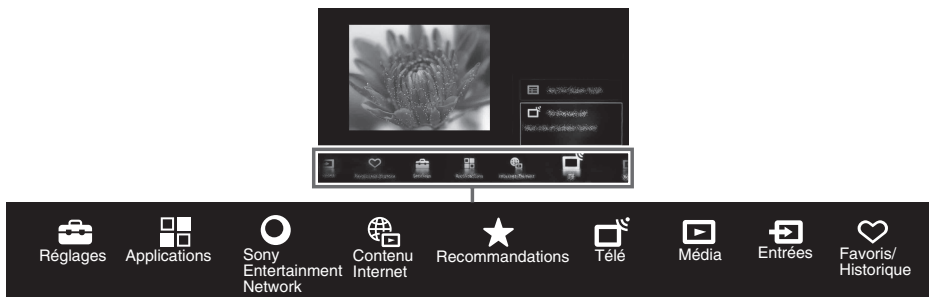
Appuyez sur **HOME**.

## ■ Sélectionner au moyen de la touche **OPTIONS**










Appuyez sur **OPTIONS**.

Une liste de fonctions et de raccourcis de menu pratiques est affichée. Les éléments du menu Options varient en fonction de l'entrée et du contenu en cours.

## Liste de catégories



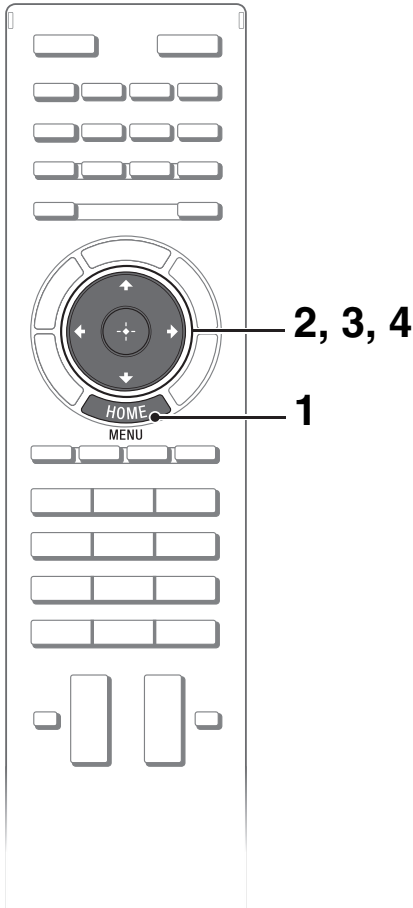
Les catégories sont disponibles selon votre région et votre pays.

	<b>Réglages</b>	Offre des réglages (ex. réglages de l'image, du son et des teintes) qui vous permettent de personnaliser votre téléviseur.
	<b>Applications</b>	Lance les applications nécessitant une connexion Internet.
	<b>Sony Entertainment Network</b>	Permet la sélection du contenu à partir du service en ligne <b>SEN</b> (Sony Entertainment Network).
	<b>Contenu Internet</b>	Permet l'accès aux services Internet pour le téléviseur.
	<b>Recommandations</b>	Présente des suggestions de contenu recommandé.
	<b>Télé</b>	Permet de sélectionner une liste de canaux de télévision ou un guide de programmation.
	<b>Média</b>	Permet la sélection de fichiers média (photo, musique, vidéo) grâce aux clés USB ou votre réseau domestique.
	<b>Entrées</b>	Permet la sélection des composants connectés au téléviseur.
	<b>Favoris/Historique</b>	Affiche les éléments des Favoris et visionnés récemment.

# Regarder Vidéo Internet

Cette fonction fait office de passerelle vers le contenu Internet, livrant une variété de divertissement sur demande directement vers votre téléviseur. Profitez du contenu vidéo, y compris des films et des bandes dessinées.

Vous aurez besoin d'établir une connexion Internet à large bande. Pour plus de détails, allez à la page 31 (7: Brancher le téléviseur à Internet).

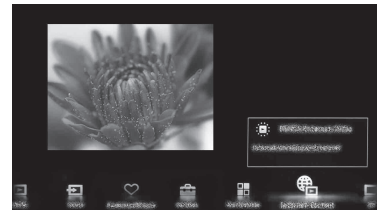
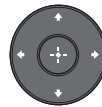


## 1 Appuyez sur HOME.

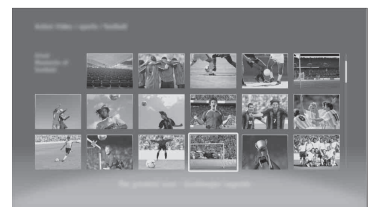
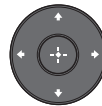


## 2 Appuyez sur $\leftarrow/\rightarrow$ pour sélectionner une catégorie (Contenu Internet).

## 3 Appuyez sur $\uparrow/\downarrow$ pour sélectionner Vidéo Internet, puis appuyez sur $\oplus$ .



## 4 Appuyez sur $\uparrow/\downarrow/\leftarrow/\rightarrow$ pour sélectionner un élément, puis appuyez sur $\oplus$ .



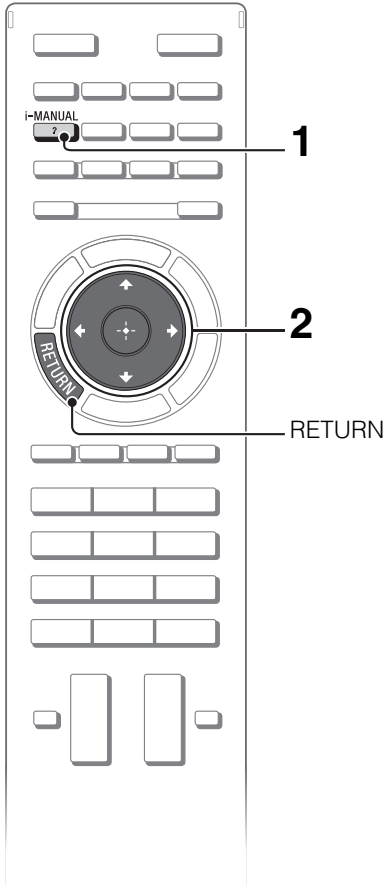


- Si vous éprouvez des difficultés avec cette fonction, vérifiez que votre connexion Internet soit correctement configurée.
- L'interface du contenu Internet dépend du contenu Internet des fournisseurs.
- Les services bloquent le contenu vidéo selon les réglages du **Contrôle parental** sur le téléviseur. Certains fournisseurs ne supportent pas de cette fonction.
- Pour mettre à jour les services du contenu vidéo Internet, appuyez sur **HOME**, puis sélectionnez **Réglages** → **Réseau** → **Actualiser le contenu Internet**.



# Recherche des instructions dans le manuel électronique (i-Manual)

Le mode d'emploi est intégré à votre téléviseur BRAVIA et s'affiche à l'écran. Pour en apprendre davantage au sujet des fonctions de votre téléviseur, vous pouvez accéder au i-Manual du simple toucher d'un bouton.

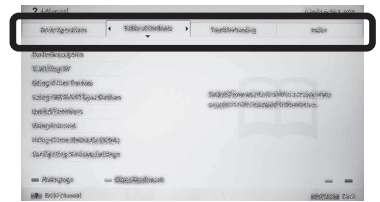
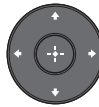


## 1 Appuyez sur i-MANUAL.

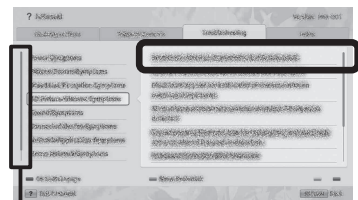
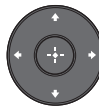


## 2 Sélectionnez un élément.

- 1 Appuyez sur  $\leftarrow/\rightarrow$  pour sélectionner un élément.



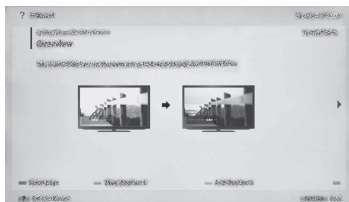
- 2 Appuyez sur  $\uparrow/\downarrow/\leftarrow/\rightarrow$  pour sélectionner un élément, puis appuyez sur  $\oplus$ .



Barre de défilement\*

- \* Si une barre de défilement apparaît, appuyez sur  $\uparrow/\downarrow$  afin d'afficher plus d'éléments.

La page des éléments sélectionnés apparaît.



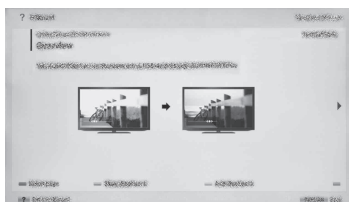
- Vous pouvez naviguer dans les pages à l'aide de  $\leftarrow/\rightarrow$ . Appuyez sur **RETURN** pour revenir à la page précédente.

## Enregistrer les pages visionnées fréquemment (Signets)

Vous pouvez enregistrer les pages visionnées fréquemment pour un accès plus facile en tout temps.

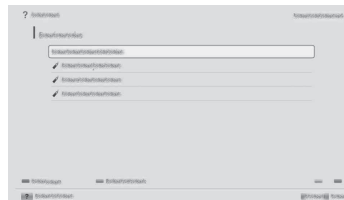
### ■ Pour enregistrer une page

Dans la page à ajouter aux signets, appuyez sur la touche rouge de la télécommande.



### ■ Pour accéder à la page mise en signet

Lors de l'affichage du i-Manual, appuyez sur la touche bleue de la télécommande afin d'afficher la liste des signets. Appuyez sur  $\uparrow/\downarrow$  pour sélectionner l'élément désiré, puis appuyez sur  $\oplus$ .



- Appuyez sur  $\leftarrow$  pour revenir à la page précédente.

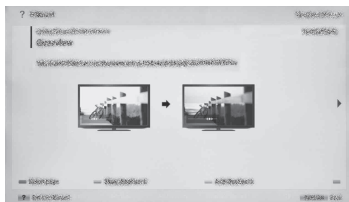
### ■ Pour supprimer un signet

Lorsque la page en signet est affichée, appuyez sur la touche rouge de la télécommande.

## Afficher encore une fois la page lors de l'utilisation du téléviseur

Vous pouvez basculer entre l'écran du i-Manual et l'écran du téléviseur. Cette fonction vous permet de vous référer aux instructions du i-Manual tout en utilisant votre téléviseur BRAVIA. Appuyez sur **i-MANUAL** pour basculer entre l'écran i-Manual affiché précédemment et l'écran du téléviseur.

FR



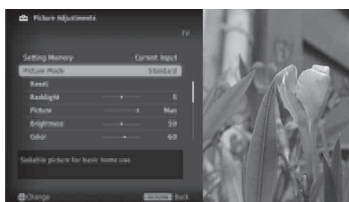
Écran i-Manual affiché précédemment



i-MANUAL  
?




Écran du téléviseur BRAVIA



- Pour sauter au haut de la page du i-Manual, appuyez sur la touche jaune de la télécommande. Vous pouvez aussi appuyer sur **HOME** puis sélectionner **Réglages** → **i-Manual** pour sauter au haut de la page du i-Manual.
- Lorsque vous éteignez le téléviseur ou si celui-ci se met en mode de veille, le i-Manual sera affiché dans le haut de la page lorsque vous sélectionnez **i-Manual**.




# Dépannage

Lorsque  l'indicateur de veille clignote, comptez combien de fois il clignote (une intervalle de 3 secondes entre les clignotements).

Appuyez sur la touche  du téléviseur pour l'éteindre, débranchez le cordon d'alimentation CA, puis communiquez avec le service à la clientèle de Sony (coordonnées indiquées sur la couverture de ce document) en indiquant le nombre de clignotements de l'indicateur.

Lorsque  l'indicateur de veille ne clignote pas, vérifiez les éléments du tableau suivant.

Reportez-vous également à la section « Dépannage » du i-Manual. Si le problème persiste, communiquez avec le service à la clientèle de Sony (coordonnées indiquées sur la couverture de ce document).

Symptôme	Explication/solution
Il n'y aucune image (l'écran est noir) et aucun son.	<ul style="list-style-type: none"><li>• Vérifiez le raccordement de l'antenne ou de la câblodistribution.</li><li>• Branchez le téléviseur dans une prise de courant CA, puis appuyez sur la touche  du téléviseur.</li><li>• Si l'indicateur  (veille) s'allume en rouge, appuyez sur la touche  de la télécommande.</li></ul>
De petits points noirs ou lumineux apparaissent à l'écran.	<ul style="list-style-type: none"><li>• L'écran est composé de pixels. De très petits points noirs et/ou lumineux (pixels) apparaissant à l'écran ne constituent pas un problème de fonctionnement.</li></ul>
Impossible de syntoniser certaines émissions.	<ul style="list-style-type: none"><li>• Vérifiez l'antenne ou le satellite.</li></ul>
Le téléviseur s'éteint automatiquement (le téléviseur passe au mode de veille).	<ul style="list-style-type: none"><li>• Vérifiez si la fonction <b>Minuterie de veille</b>, <b>Minuterie</b> ou <b>Mettre téléviseur inactif en veille</b> est activée.</li><li>• La fonction <b>Arrêt automatique</b> est peut-être réglée à <b>Oui</b>. Si la fonction <b>Arrêt automatique</b> est activée et que le téléviseur ne reçoit aucun signal, le téléviseur passe automatiquement en mode de veille après 15 minutes. Vérifiez si la fonction <b>Arrêt automatique</b> est activée dans le menu <b>Eco</b> du téléviseur.</li></ul>
La télécommande ne fonctionne pas.	<ul style="list-style-type: none"><li>• Remplacez les piles.</li><li>• Il se peut que votre téléviseur soit en mode SYNC. Appuyez sur <b>SYNC MENU</b>, sélectionnez <b>Commandes du téléviseur</b>, puis sélectionnez <b>Accueil (Menu)</b> ou <b>Options</b> pour piloter le téléviseur.</li></ul>
Vous avez oublié le mot de passe de la fonction <b>Contrôle parental</b> .	<ul style="list-style-type: none"><li>• Entrez le code NIP 4357. (Le NIP 4357 est toujours fonctionnel.)</li></ul>

Symptôme	Explication/solution
Le téléviseur devient chaud au toucher et dégage de la chaleur.	<ul style="list-style-type: none"> <li>• Lorsque le téléviseur est utilisé pendant une longue période, le téléviseur et les objets qui l'entourent peuvent devenir chauds au toucher. Il ne s'agit pas d'un problème de fonctionnement du téléviseur.</li> </ul>



Lors du visionnement de fichiers photo en résolution 4K :

- L'écran de menu, le guide d'opération ou les messages peuvent ne pas être affichés lors de l'affichage de photos.
- Pour mettre fin à la lecture de photos, appuyez sur **RETURN**, ou changez l'entrée en appuyant sur

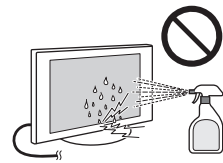


# Entretien de votre téléviseur BRAVIA

La sécurité est très importante. Veuillez lire et suivre les consignes de sécurité de ce manuel (reportez-vous aux pages 4-10).

Débranchez le téléviseur et les appareils raccordés de la prise de courant avant de nettoyer le téléviseur.

- Essuyez l'écran ACL délicatement à l'aide d'un chiffon doux.
- Les taches tenaces peuvent être enlevées à l'aide d'un chiffon légèrement imbibé d'une solution de savon doux et d'eau tiède.
- Si vous utilisez un chiffon prétraité avec un produit chimique, suivez bien les directives indiquées sur l'emballage.
- Ne vaporisez jamais d'eau ou de détergent directement sur le téléviseur. Le liquide pourrait couler au bas de l'écran ou sur les parties extérieures, voire pénétrer dans le téléviseur et l'endommager.
- N'utilisez jamais de solvants corrosifs tels qu'un diluant, de l'alcool ou du benzène pour nettoyer l'appareil.
- Attendez que l'humidité laissée par le nettoyage se soit évaporée avant de rebrancher le téléviseur dans la prise de courant.



Le téléviseur doit aussi être placé sur une surface stable afin de prévenir son basculement (consultez la page 28). Si vous avez des enfants ou des animaux domestiques, vérifiez régulièrement que le téléviseur est fixé solidement pour une utilisation en toute sécurité.

# Caractéristiques techniques

<b>Système</b>	
Système de télévision	NTSC : Norme de télévision en Amérique ATSC (8VSB terrestre) : 8VSB conforme avec ATSC QAM sur le câble : ANSI/SCTE 07 2000 (n'inclut pas la fonctionnalité CableCARD)
Plages de canaux	Analogique terrestre : 2 - 69 / Numérique terrestre : 2 - 69 Câble analogique : 1 - 135 / Câble numérique : 1 - 135
Système de l'écran	Écran ACL (affichage à cristaux liquides)
Puissance des haut-parleurs	12.5 W + 12.5 W + 12.5 W + 12.5 W
<b>Connecteurs d'entrée et de sortie</b>	
CABLE/ANTENNA	Borne extérieure de 75 ohms pour entrées RF
VIDEO IN 1	Entrée Vidéo / Audio (prises phono)
COMPONENT IN	YPbPr (vidéo composante) : 1080p (60 Hz), 1080i (60 Hz), 720p (60 Hz), 480p, 480i Entrée Audio (prises phono)
VIDEO IN 2	Entrée Vidéo (tige phono commune avec entrée Y)
HDMI IN 1/2/3/4 (Seuls HDMI 2 et HDMI 3 prennent en charge la résolution 4K)	Vidéo(2D) : HDMI 1, 4 : 1080p (30, 60 Hz), 1080/24p, 1080i (60 Hz), 720p (30, 60 Hz), 720/24p, 480p, 480i, formats PC HDMI 2, 3: 3840 × 2160p (24, 25, 30 Hz), 4096 × 2160p (24 Hz), 1080p (30, 60 Hz), 1080/24p, 1080i (60 Hz), 720p (30, 60 Hz), 720/24p, 480p, 480i, formats PC Vidéo(3D) : Combinaison de trame 1080p (30 Hz), 1080/24p, 1080i (60 Hz), 720p (30, 60 Hz), 720/24p Côte à côte 1080p (60 Hz), 1080/24p, 1080i (60 Hz), 720p (60 Hz) Superposés 1080p (30, 60 Hz), 1080/24p, 1080i (60 Hz), 720p (60 Hz) Audio : Deux canaux linéaires PCM : 32, 44, 1 et 48 kHz, 16, 20 et 24 bits, Dolby Digital Entrée audio analogique (mini-prise stéréo) (HDMI IN 3 seulement, commune avec entrée PC) ARC (Audio Return Channel) (HDMI IN 1 seulement)
AUDIO OUT/Casque d'écoute	Mini-prise stéréo
DIGITAL AUDIO OUT (OPTICAL)	Prise optique numérique (Deux canaux linéaires PCM, Dolby Digital)
PC IN PC/HDMI 3 AUDIO IN	RVB analogique (Mini D-sub à 15 broches) Entrée audio (mini-prise stéréo) (commune avec HDMI IN 3)
LAN	Connecteur 10BASE-T/100BASE-TX (La vitesse de connexion peut varier selon l'environnement réseau. Le débit 10BASE-T/100BASE-TX et la qualité de la communication ne sont pas garantis pour ce téléviseur.)
USB/DLNA	Reportez-vous au i-Manual pour connaître les formats pris en charge.
REMOTE	RS232C, D-sub à 9 broches. Cette prise permet de recevoir le signal de commande externe.

FR

Nom du modèle XBR-		84X900
<b>Alimentation et autres</b>		
Alimentation		110-240 V CA, 50/60 Hz (Etats-Unis/Canada 120 V CA, 60 Hz)
Consommation d'énergie	en cours d'utilisation	569 W
	en mode ADT*1	0,02 kWh/jour (Au cours du téléchargement, il se peut que vous entendiez un cliquetement, ce qui est tout à fait normal.)
	en veille	Moins de 0,2 W pour les modèles 120 V CA et moins de 0,3 W pour les modèles 240 V CA
Taille de l'écran*2 (mesurée en diagonale) (pouces)		84 pouces
Résolution de l'écran		3 840 points (horizontal) × 2 160 lignes (vertical)
Dimensions*2	Téléviseur avec Meuble Pour Téléviseur (mm) (pouces)	2 137 × 1 511 × 567 84 1/4 × 59 1/2 × 22 3/8
	Téléviseur avec support de table (mm) (pouces)	2 137 × 1 209 × 567 84 1/4 × 47 1/2 × 22 3/8
	Téléviseur sans Meuble Pour téléviseur/Support de table (mm) (pouces)	2 137 × 1 136 × 90 84 1/4 × 44 3/4 × 3 5/8
	Moniteur avec Meuble pour Téléviseur (mm) (pouces)	1 926 × 1 511 × 567 75 7/8 × 59 1/2 × 22 3/8
	Moniteur avec support de table (mm) (pouces)	1 926 × 1 209 × 567 75 7/8 × 47 1/2 × 22 3/8
	Moniteur sans Meuble Pour Téléviseur/Support de table (mm) (pouces)	1 926 × 1 136 × 79 75 7/8 × 44 3/4 × 3 1/8
	schéma des trous pour la fixation murale (mm)	400 × 400
	taille des vis de fixation murale (mm)	M6 (longueur : voir le diagramme sur page 34.)
Poids*2	Téléviseur avec Meuble Pour Téléviseur (kg)/(lb)	97,9 / 215,7
	Téléviseur avec support de table (kg)/(lb)	95,2 / 209,7
	Téléviseur sans Meuble Pour téléviseur/Support de table (kg)/(lb)	80,0 / 176,3
	Moniteur avec Meuble pour Téléviseur (kg)/(lb)	90,5 / 199,4
	Moniteur avec support de table (kg)/(lb)	87,8 / 193,4
	Moniteur sans Meuble Pour Téléviseur/Support de table (kg)/(lb)	72,7 / 160,2
Accessoires compris		Allez à page 16 (Vérifier les accessoires).
Accessoires en option		Câbles de raccordement Support de fixation murale : SU-WL500 Caméra avec microphone : CMU-BR100 Adaptateur réseau sans fil USB : UWA-BR100
Température de service		0 °C – 40 °C (32 °F – 104 °F)

\*1 Le mode d'acquisition de données par téléchargement (ADT) est employé pour les mises à jour du logiciel et la collecte de données pour la fonction Rovi On Screen Guide.

\*2 La taille d'écran, les dimensions et la masse sont des valeurs approximatives.

- La disponibilité des accessoires en option dépend des pays/régions/modèles de téléviseur/stocks.
- La conception des produits et les caractéristiques techniques peuvent changer sans préavis.



# CONTRAT DE LICENCE D'UTILISATION

## POUR CERTAINS LOGICIELS ET SERVICES DEVANT ÊTRE UTILISÉS AVEC VOTRE PRODUIT SONY

### **IMPORTANT – LISEZ CE CONTRAT AVANT D'UTILISER VOTRE PRODUIT SONY. L'UTILISATION DE VOTRE PRODUIT SIGNIFIE QUE VOUS ACCEPTEZ CE CONTRAT.**

Ce Contrat de licence d'utilisation (« CLU ») est un contrat légal entre vous et Sony Electronics Inc. (« Sony »), le donneur de licence des logiciels (autres que les logiciels qui sont gouvernés par d'autres licences comme il est indiqué ci-dessous, les « Logiciels exclus ») compris dans ce produit Sony et documents connexes qui seront collectivement appelés les « Logiciels Sony ». Ce CLU couvre les Logiciels Sony et ceux de tiers donneurs de licence de Sony (« Tiers donneurs de licence ») ainsi que la documentation imprimée ou en ligne s'y rattachant. Les Logiciels Sony comprennent le logiciel dans votre produit Sony, d'autres logiciels, y compris des mises à jour ou des logiciels modifiés, qui vous sont fournis par Sony qu'ils soient enregistrés sur média ou téléchargés dans le produit Sony par tout moyen qui soit.

Ce produit Sony comprend aussi la fonction Sony Entertainment Network qui fournit l'accès à certains services de contenu (« Services ») de fournisseurs de contenu tiers, y compris des entités Sony autres que Sony Electronics Inc. (« Fournisseurs tiers ») à titre de courtoisie. La fonction Sony Entertainment Network vous fournit aussi l'accès à certains services de contenu de Sony (« Services de contenu Sony »), et ces services et ces contenus correspondants (« Contenu Sony ») seront tous deux considérés comme étant des logiciels Sony en vertu de ce CLU. La fonction Sony Entertainment Network nécessite une connexion Internet. Votre capacité à accéder aux Services et la qualité des Services présentés dépendent du service et des conditions de votre fournisseur de service Internet ainsi que de la connexion Internet à

bande large que vous utilisez. Votre capacité à accéder aux Services et la qualité des Services présentés dépendent du service et des conditions de votre fournisseur de service Internet. La qualité vidéo et la taille de l'image varient et dépendent de la vitesse de votre service à bande large offert par votre fournisseur Internet et livré par les Fournisseurs tiers. Les contenus, y compris sans en exclure d'autres, les données, la musique, le son, les photographies, les images, les graphiques, les ressemblances, les logiciels, le texte, la vidéo, les messages, les étiquettes ou autres documents, fournis par les Fournisseurs tiers (« Contenu ») et la disponibilité des Services dépendent entièrement et sont contrôlés par les Fournisseurs tiers. Le Contenu et les Services de chaque Fournisseur tiers sont fournis conformément aux conditions de ce Fournisseur tiers. Le Contenu de luxe peut nécessiter des frais supplémentaires et/ou l'inscription auprès du Fournisseur tiers par l'entremise d'un ordinateur. Les Services et le Contenu ne peuvent être utilisés que pour votre visionnement personnel et privé et ne doivent pas être utilisés pour des expositions non théâtrales ou tout visionnement ou toute exposition pour lesquels (ou à tout endroit dans lequel) des frais d'admission, d'accès ou de visionnement sont imposés ou pour des expositions ou des visionnements publics. Les Services peuvent être modifiés en tout temps et peuvent ne pas être disponibles de temps à autre.

**LES LOGICIELS SONY ET LES SERVICES SONY PEUVENT PERMETTRE À SONY, AUX FOURNISSEURS TIERS ET/OU À D'AUTRES TIERS DE RECUEILLIR DES DONNÉES DU, DE CONTRÔLER ET/OU DE SURVEILLER LE PRODUIT SONY ET LES AUTRES DISPOSITIFS QUI FONCTIONNENT OU INTERAGISSENT AVEC LES LOGICIELS SONY. VOUS CONSENTEZ PAR LES PRÉSENTES À DE TELLES ACTIVITÉS. VOUS ACCEPTEZ**

FR

**AUSSI LA POLITIQUE DE CONFIDENTIALITÉ ACTUELLE DE SONY QUI EST DISPONIBLE À [HTTP://PRODUCTS.SEL.SONY.COM/SEL/LEGAL/PRIVACY.HTML](http://products.sel.sony.com/sel/legal/privacy.html). CETTE POLITIQUE DE CONFIDENTIALITÉ PEUT ÊTRE MODIFIÉE DE TEMPS À AUTRE; VEUILLEZ CONSULTER LE LIEN CI-DESSUS POUR OBTENIR LES MISES À JOUR DE CETTE POLITIQUE. VEUILLEZ COMMUNIQUER AVEC LES FOURNISSEURS TIERS EN QUESTION OU LES AUTRES TIERS POUR OBTENIR LES POLITIQUES DE CONFIDENTIALITÉ RELATIVES À LEURS SERVICES. EN UTILISANT VOTRE PRODUIT SONY, VOUS ACCÉPTEZ D'ÊTRE LIÉ PAR LES CONDITIONS DE CE CLU ET LA POLITIQUE DE**

**CONFIDENTIALITÉ DE SONY.** Si vous n'êtes pas d'accord avec les conditions de ce CLU ou la politique de confidentialité de Sony, et ses modifications effectuées de temps à autre par Sony à sa discrétion, Sony n'est pas disposé à vous accorder une licence pour les Logiciels Sony ni à vous accorder l'accès aux Services et vous devez communiquer avec Sony immédiatement pour obtenir des directives sur le retour du produit Sony au complet et des Logiciels Sony pour un remboursement du prix d'achat du produit Sony.

#### **PERMIS D'UTILISATION DE LOGICIELS**

Vous ne pouvez pas utiliser les Logiciels Sony à l'exception de ce qui est précisé aux présentes. Les Logiciels Sony sont grevés d'une licence et non vendus. Sony et ses Tiers donneurs de licence vous octroient une licence restreinte à utiliser les Logiciels Sony seulement sur le produit Sony. Les Logiciels Sony peuvent créer des fichiers de données automatiquement pour être utilisés avec les Logiciels Sony, et vous acceptez que de tels fichiers de données fassent partie des Logiciels Sony. Les Logiciels Sony sont offerts sous licence à titre d'un seul produit et vous ne pouvez pas séparer ses composants pour les utiliser sur plus d'un seul appareil, à moins d'en obtenir l'autorisation expresse de Sony. Vous acceptez de ne pas modifier, désosser, décompiler ou démonter les Logiciels Sony, en tout ou en partie, ou de ne pas utiliser les

Logiciels Sony, en tout ou en partie, pour tout autre but que celui permis en vertu de ce CLU. De plus, vous ne pouvez pas louer, donner à bail, octroyer une sous-licence ou vendre les Logiciels Sony, mais vous pouvez transférer tous vos droits en vertu de ce CLU seulement dans le cadre d'une vente ou d'un transfert du produit Sony à condition de ne pas garder de copies, de transférer tous les Logiciels Sony (y compris tous les exemplaires, composants, médias, documents imprimés, toutes les versions et mises à niveau des Logiciels Sony et de ce CLU) et que le récipiendaire accepte les conditions de ce CLU. Sony et ses Tiers donneurs de licence se réservent tous les droits que ce CLU ne vous accorde pas expressément. Vous ne pouvez pas (a) dévier, modifier, déjouer ou contourner les fonctions ou les protections des Logiciels Sony ou des mécanismes liés de façon opérationnelle aux Logiciels Sony; ou (b) retirer, modifier, couvrir ou détériorer les marques de commerce ou les avis sur les Logiciels Sony. Vous comprenez, reconnaissez et acceptez que les logiciels, les services de réseau ou les autres produits autres que les Logiciels Sony desquels peut dépendre le rendement des Logiciels Sony puissent être interrompus ou supprimés à la discrétion des fournisseurs (fournisseurs de logiciels, fournisseurs de services, Fournisseurs tiers, etc.) ou Sony.

#### **COMPTE D'UTILISATEUR**

Dans le cadre de l'accord vous permettant d'accéder, de naviguer ou d'utiliser les Services et le Contenu, les Fournisseurs tiers et/ou d'autres tiers peuvent vous demander d'établir un compte d'utilisateur (« Compte ») pour lequel vous devrez leur fournir des renseignements véridiques, exacts, courants et complets à votre sujet et maintenir et mettre à jour dans les moindres délais de tels renseignements. Vous êtes responsable du maintien de la confidentialité de tous vos mots de passe associés à un tel Compte.

## **LES DROITS DE SONY ENVERS LA DOCUMENTATION DE L'UTILISATEUR**

Si vous envoyez des messages ou des documents à Sony par courriel ou autrement (« Documentation »), y compris tous les commentaires, sélections, données, questions, suggestions et autres du même genre, une telle Documentation sera considérée comme non confidentielle et non exclusive. Par conséquent, vous abandonnez toute allégation que l'utilisation d'une telle Documentation viole vos droits, y compris les droits moraux, de confidentialité, d'exclusivité ou d'autres droits de propriété, de publicité, de crédit pour des renseignements ou des idées, ou tout autre droit, y compris le droit d'approuver la façon dont Sony utilise une telle Documentation. Toute Documentation peut être adaptée, diffusée, modifiée, copiée, divulguée, brevetée, exécutée, affichée, publiée, vendue, transmise ou utilisée par Sony partout dans le monde, par tous les moyens, à vie et sans vous devoir d'attribution ou de compensations. De plus, vous cédez par les présentes tous vos droits, titres et intérêts envers, et Sony est libre d'utiliser, sans vous remettre de compensation, tous les concepts, idées, savoir-faire, techniques ou autres droits de propriété intellectuelle se trouvant dans la Documentation, qu'ils soient brevetables ou non, pour quelque but que ce soit, y compris, sans en exclure d'autres, développer, fabriquer, faire fabriquer, attribuer une licence, commercialiser et vendre des produits utilisant une telle Documentation. Cependant, vous acceptez et comprenez que Sony n'est pas obligée d'utiliser de tels concepts, idées, savoir-faire ou techniques ou Documentation et vous n'avez aucun droit d'obliger une telle utilisation.

## **DOCUMENTATION TRANSMISE**

Les transmissions Internet ne sont jamais entièrement privées ou sécurisées. Vous comprenez que tout message ou renseignement que vous envoyez à Sony peut être lu ou intercepté par d'autres, à moins qu'il y ait un avis spécial qu'un

message précis (par exemple, renseignements sur les cartes de crédit) est encodé (envoyé par code). Envoyer un message à Sony ne signifie pas que Sony a une responsabilité spéciale envers vous.

## **GESTION NUMÉRIQUE DES DROITS**

Les propriétaires de contenu utilisent la technologie de gestion numérique des droits de médias de Windows (« GNDMW ») pour protéger leur propriété intellectuelle, y compris les droits d'auteur. Ce produit Sony utilise un logiciel GNDMW pour accéder au contenu protégé par la GNDMW. Si le logiciel de GNDMW échoue à protéger le Contenu, les propriétaires du Contenu peuvent demander à Microsoft Corporation (« Microsoft ») de révoquer la capacité des Services à utiliser la technologie GNDMW pour lire ou copier le Contenu protégé. La révocation n'affecte pas le Contenu non protégé. Si vous téléchargez des licences pour du Contenu protégé, vous acceptez que Microsoft puisse joindre une liste de révocation aux licences. Les propriétaires du Contenu peuvent vous demander de mettre le logiciel de GNDMW à niveau pour accéder à leur Contenu. Si vous refusez la mise à niveau, vous ne pourrez pas accéder au Contenu qui nécessite la mise à niveau.

## **ANNONCES, COMMUNICATIONS DE SERVICE**

L'inclusion des Services d'un Fournisseur tiers ne signifie pas que Sony approuve, endosse ou recommande le Fournisseur tiers ou son Contenu. Vous comprenez et acceptez que les Services et/ou le Contenu peuvent comprendre des annonces (« Annonces ») et que ces Annonces sont nécessaires afin que les Services puissent être fournis. Vous comprenez et acceptez aussi que l'utilisation de la fonction Sony Entertainment Network puisse comprendre certaines communications de Sony ou de Fournisseurs tiers, comme des annonces de service, des messages administratifs, des bulletins de nouvelles et autres du même genre (« Communications de service ») et vous ne pourrez pas refuser de recevoir de telles Communications de service. SONY,

SES SOCIÉTÉS AFFILIÉES ET SES FOURNISSEURS TIERS RENONCENT À TOUTES LES GARANTIES, EXPRESSES OU IMPLICITES, RELATIVES À L'EXACTITUDE, LA LÉGALITÉ, LA FIABILITÉ OU LA VALIDITÉ DE TOUTE ANNONCE, COMMUNICATION DE SERVICE OU DE TOUT CONTENU, AINSI QU'À TOUTE RESPONSABILITÉ DÉCOULANT DE TOUTE THÉORIE JURIDIQUE POUR LES ANNONCES, LES COMMUNICATIONS DE SERVICE ET LE CONTENU.

### **CONTENU INCONVENANT ET RÈGLEMENTS POUR LES MINEURS (MOINS DE 16 ANS)**

Certains Contenus peuvent ne pas être appropriés pour les mineurs ou d'autres utilisateurs. Un tel Contenu peut être ou ne pas être classé ou identifié comme ayant un langage explicite ou étant destiné à des adultes. Par conséquent, vous reconnaissez que vous utilisez les Services à votre propre risque et que Sony n'a aucune responsabilité envers vous pour le Contenu, y compris tout Contenu pouvant être offensant. Vous devez superviser l'utilisation du produit Sony, des Logiciels Sony, des Logiciels exclus, des Services et du Contenu par tout mineur. Si vous avez moins de 16 ans, vous devez demander à votre(vos) parent(s) ou un gardien avant: (i) d'envoyer un courriel à Sony par l'entremise des Services; (ii) d'envoyer tout renseignement; (iii) de participer à tout concours ou jeu qui nécessite des renseignements à votre sujet ou qui offre un prix; (iv) de joindre un club ou un groupe; (v) d'afficher tout renseignement sur tout bavardage ou d'entrer dans un bavardage; ou (vi) d'acheter quoi que ce soit en ligne.

### **EXCLUSION DE GARANTIE**

VOUS COMPRENEZ, RECONNAISSEZ ET ACCEPTEZ QUE LE CONTENU ET LES SERVICES SONT FOURNIS PAR DES FOURNISSEURS TIERS ET/OU QUE LES LOGICIELS SONT FOURNIS PAR DES TIERS SUR LESQUELS SONY N'A AUCUN CONTRÔLE. LES FOURNISSEURS TIERS OU AUTRE TIERS SONT ENTIÈREMENT RESPONSABLES DE LA SÉLECTION, LA PROVISION, LA QUALITÉ, LA TAILLE DES

IMAGES ET LA DISPONIBILITÉ D'UN TEL CONTENU ET/OU DE TELS LOGICIELS. VOUS ACCEPTEZ DE VOUS CONFORMER À TOUTES LES CONDITIONS ET MODALITÉS QUI PEUVENT ÊTRE ÉTABLIES PAR LES FOURNISSEURS TIERS POUR LEURS SERVICES, LEUR CONTENU ET/OU LEURS LOGICIELS. VOUS COMPRENEZ, RECONNAISSEZ ET ACCEPTEZ DE PLUS QUE L'ACCÈS, LA NAVIGATION ET L'UTILISATION DES SERVICES NÉCESSITENT UN SERVICE INTERNET FOURNI PAR VOUS ET POUR LEQUEL VOUS ÊTES ENTIÈREMENT RESPONSABLE, Y COMPRIS SANS EN EXCLURE D'AUTRES, LE PAIEMENT DE TOUS LES FRAIS À DES TIERS (COMME LE FOURNISSEUR DE SERVICE INTERNET OU LES FRAIS D'UTILISATION DU RÉSEAU) POUR UN TEL ACCÈS ET POUR AFFICHER OU FOURNIR LES ANNONCES COMPRISES AVEC LES SERVICES. LE FONCTIONNEMENT DE LA FONCTION SONY ENTERTAINMENT NETWORK ET DES SERVICES PEUT ÊTRE LIMITÉ OU RESTREINT SELON LES CAPACITÉS, LA LARGEUR DE BANDE OU LES LIMITES TECHNIQUES DE VOTRE SERVICE INTERNET. SONY, SES SOCIÉTÉS AFFILIÉES ET SES FOURNISSEURS TIERS NE SERONT AUCUNEMENT RESPONSABLES DE L'OPPORTUNITÉ, LA SUPPRESSION, LA MAUVAISE LIVRAISON OU LA DÉFAILLANCE À SAUVEGARDER LES COMMUNICATIONS AVEC L'UTILISATEUR OU LES RÉGLAGES PERSONNELS.

LES LOGICIELS SONY ET LA DOCUMENTATION CONNEXE, LES SERVICES ET LE CONTENU VOUS SONT FOURNIS « TELS QUELS » ET NE COMPORTENT AUCUNE GARANTIE OU CONDITION, STATUTAIRE OU AUTRE, DE TOUTE SORTE. SONY, SES SOCIÉTÉS AFFILIÉES, SES TIERS DONNEURS DE LICENCE ET SES FOURNISSEURS TIERS RENONCENT EXPRESSÉMENT À TOUTES LES GARANTIES ET CONDITIONS, EXPRESSES OU IMPLICITES, Y COMPRIS SANS EN EXCLURE D'AUTRES, LES GARANTIES IMPLICITES D'ABSENCE DE

CONTREFAÇON, DE TITRE, DE VALEUR MARCHANDE ET D'ADAPTATION À UN USAGE PARTICULIER. SONY, SES SOCIÉTÉS AFFILIÉES, SES TIERS DONNEURS DE LICENCE ET SES FOURNISSEURS TIERS NE GARANTISSENT PAS QUE LES LOGICIELS SONY OU LA DOCUMENTATION CONNEXE, LES SERVICES OU LE CONTENU RÉPONDRONT À VOS EXIGENCES OU QUE LE FONCTIONNEMENT DES LOGICIELS SONY, DES SERVICES OU DU CONTENU SERA ININTERROMPU OU LIBRE D'ERREURS. DE PLUS, SONY, SES SOCIÉTÉS AFFILIÉES, SES TIERS DONNEURS DE LICENCE ET SES FOURNISSEURS TIERS NE GARANTISSENT PAS ET N'EFFECTUENT AUCUNE REPRÉSENTATION OU CONDITION CONCERNANT L'UTILISATION OU LES RÉSULTATS DE L'UTILISATION DES LOGICIELS SONY, DES SERVICES OU DU CONTENU RELATIVEMENT À SON BIEN-FONDÉ, SON EXACTITUDE, SA FIABILITÉ OU AUTRE. LES RENSEIGNEMENTS OU CONSEILS ORAUX OU ÉCRITS OFFERTS PAR SONY, SES SOCIÉTÉS AFFILIÉES OU UN REPRÉSENTANT AUTORISÉ DE SONY NE REPRÉSENTERONT PAS UNE GARANTIE ET NE MODIFIERONT PAS DANS AUCUN CAS CETTE EXCLUSION DE GARANTIE ET CONDITION. SI LE MÉDIA SUR LEQUEL LES LOGICIELS SONT FOURNIS, LA DOCUMENTATION, LES SERVICES OU LE CONTENU S'AVÉRAIENT DÉFECTUEUX, VOUS (ET NON PAS SONY OU UN REPRÉSENTANT AUTORISÉ DE SONY) ASSUMEZ TOUS LES FRAIS REQUIS POUR L'ENTRETIEN, LA RÉPARATION OU LA CORRECTION.

### **LIMITATION DE RESPONSABILITÉ**

SONY, SES SOCIÉTÉS AFFILIÉES, SES TIERS DONNEURS DE LICENCE OU SES FOURNISSEURS TIERS NE SERONT DANS AUCUN CAS (Y COMPRIS, SANS EN EXCLURE D'AUTRES, LES PROBLÈMES DE NÉGLIGENCE RELATIFS AUX TIERS DONNEURS DE LICENCE OU FOURNISSEURS TIERS) RESPONSABLES ENVERS VOUS POUR LES DOMMAGES

SPÉCIAUX, INDIRECTS, CONSÉCUTIFS, EXEMPLAIRES OU CORRÉLATIFS DE TOUTE SORTE, Y COMPRIS SANS EN EXCLURE D'AUTRES, LA COMPENSATION, LE REMBOURSEMENT OU LES DOMMAGES CONCERNANT, DÉCOULANT OU RELATIFS À CE CLU CONCERNANT LA PERTE D'UTILISATION DU PRODUIT SONY, LA DOCUMENTATION, LES SERVICES, LE CONTENU, LE TEMPS D'IMMOBILISATION ET VOTRE TEMPS, LA PERTE DE PROFITS ACTUELS OU ÉVENTUELS, LA PERTE DE DONNÉES, DE RENSEIGNEMENTS DE TOUTE SORTE, DE PROFITS COMMERCIAUX OU AUTRES PERTES COMMERCIALES OU POUR TOUTE AUTRE RAISON QUI SOIT, MÊME SI SONY, SES SOCIÉTÉS AFFILIÉES, SES TIERS DONNEURS DE LICENCE OU SES FOURNISSEURS TIERS ONT ÉTÉ AVISÉS DE LA POSSIBILITÉ DE TELS DOMMAGES. LES LOGICIELS SONY ET LA DOCUMENTATION CONNEXE, LES SERVICES ET LE CONTENU VOUS SONT FOURNIS POUR UTILISATION À VOS PROPRES RISQUES. SONY, SES SOCIÉTÉS AFFILIÉES, SES TIERS DONNEURS DE LICENCE ET SES FOURNISSEURS TIERS NE SERONT PAS RESPONSABLES DES DOMMAGES POUR VIOLATION DE TOUTE GARANTIE OU CONDITION EXPRESSE OU IMPLICITE, VIOLATION DE CONTRAT, NÉGLIGENCE, RESPONSABILITÉ ABSOLUE OU TOUTE AUTRE THÉORIE LÉGALE RELATIVE AUX LOGICIELS SONY, AUX SERVICES, AU CONTENU OU À CE CLU.

Certaines juridictions ne permettent pas les exclusions ou les limites aux dommages consécutifs ou indirects, les exclusions ou les limites sur les garanties ou conditions implicites ou permettent les limites sur la durée d'une garantie implicite, et par conséquent, les limites ou les exclusions précédentes peuvent ne pas s'appliquer à votre cas.

### **GARANTIE LIMITÉE SUR LES MÉDIAS**

Dans les cas où les Logiciels Sony ou toute partie de ces derniers sont fournis sur médias, Sony garantit que pendant une période de quatre-vingt-dix (90) jours à

compter de la date où ils vous sont remis, les médias sur lesquels les Logiciels Sony vous sont fournis seront exempts de défauts de matériaux et de fabrication sous une utilisation normale. Cette garantie limitée ne s'applique qu'à vous le licencié original. L'entière responsabilité de Sony et votre seul remède seront le remplacement des médias ne répondant pas à la garantie limitée de Sony. TOUTES LES GARANTIES IMPLICITES OU CONDITIONS SUR LES MÉDIAS, Y COMPRIS LES GARANTIES ET LES CONDITIONS IMPLICITES DE VALEUR MARCHANDE, D'ABSENCE DE CONTREFAÇON ET/OU D'ADAPTATION À UN USAGE PARTICULIER, SE LIMITENT EN TEMPS À QUATRE-VINGT-DIX (90) JOURS À COMPTER DE LA DATE DE LIVRAISON. CERTAINES JURIDICTIONS NE PERMETTENT PAS LES LIMITES SUR LA DURÉE D'UNE GARANTIE OU CONDITION IMPLICITES, ET PAR CONSÉQUENT, CES LIMITES PEUVENT NE PAS S'APPLIQUER À VOTRE CAS. CETTE GARANTIE VOUS DONNE DES DROITS LÉGAUX PRÉCIS ET VOUS POUVEZ AUSSI AVOIR D'AUTRES DROITS QUI VARIENT D'UNE JURIDICTION À L'AUTRE.

### **FRAIS**

Sony et ses Fournisseurs tiers se réservent le droit en tout temps d'exiger des frais pour l'accès à un nouveau Contenu ou à de nouveaux Services ou à des parties du Contenu et des Services existants ou aux Services dans leur totalité. De plus, les Fournisseurs tiers peuvent imposer des frais pour accéder à leur Contenu. Vous ne devrez jamais payer des frais pour accéder au Contenu et/ou aux Services, en tout ou en partie, à moins que Sony et/ou un Fournisseur tiers n'aient obtenu votre accord préalable pour payer de tels frais. Cependant, si vous ne consentez pas à de tels frais, vous ne pourrez pas accéder au Contenu ou aux Services auxquels ces frais s'appliquent.

### **PROPRIÉTÉ INTELLECTUELLE / AVIS DE REVENDICATIONS POUR LES VIOLATIONS AUX DROITS DE PROPRIÉTÉ INTELLECTUELLE ET AGENT POUR L'AVIS**

Sony respecte la propriété intellectuelle des autres et nous vous demandons de faire de même. Sony a comme politique, à sa discrétion selon le cas, de (a) terminer et/ou désactiver le Contenu de Fournisseurs tiers ou les comptes des utilisateurs des Services qui peuvent porter atteinte ou porter atteinte à maintes reprises aux droits d'auteur ou à la propriété intellectuelle de Sony, de ses Fournisseurs tiers ou d'autres; et/ou (b) faire parvenir les rapports de violations des droits d'auteur aux Fournisseurs tiers et autres pour révision et action conformément aux conditions établies dans les procédures d'un tel Fournisseur tiers relativement à la protection des droits de propriété intellectuelle. Les Logiciels Sony et le Contenu sont protégés par les lois sur les droits d'auteur et des traités internationaux sur les droits d'auteur, ainsi que par d'autres lois et traités sur la propriété intellectuelle. Il peut y avoir des logos exclusifs, des marques de service, des marques de commerce, des ressemblances et des noms de commerce dans les Logiciels Sony, le Contenu ou sur les Services. En rendant les Logiciels Sony et le Contenu disponibles sur les Services, Sony et les Fournisseurs tiers ne vous accordent pas le droit d'utiliser ces logos exclusifs, ces marques de service, ces marques de commerce, ces ressemblances ou ces noms de commerce. Toute utilisation non autorisée des Logiciels Sony, des Services ou du Contenu peut violer les lois sur les droits d'auteur, les lois sur les marques de commerce, les lois sur la vie privée et la publicité, ainsi que des statuts criminels et civils. Tous les droits, titres et intérêts dans et envers les Logiciels Sony et le Contenu et tous les exemplaires ou parties de ces derniers, appartiennent à Sony, ses donneurs de licence, aux Tiers donneurs de licence et/ou aux Fournisseurs tiers. Tous les droits non spécifiquement accordés en vertu de ce CLU sont réservés à Sony, ses donneurs de licence, aux Tiers donneurs de licence, aux fournisseurs et/ou aux Tiers fournisseurs.

Vous êtes responsable de toutes vos activités relatives aux présentes, y compris toute

responsabilité légale encourue relative à l'accès, à la navigation ou à l'utilisation des Services par vous ou par d'autres qui utilisent les Services par l'entremise de votre produit Sony ou de votre Compte (tels qu'ils sont définis dans la section Compte d'utilisateur). Vous pouvez utiliser les Logiciels Sony, les Services et le Contenu à des fins légales seulement. Vous ne pouvez pas distribuer, échanger, modifier, vendre ou transmettre quoi que ce soit que vous pouvez copier des Logiciels Sony, des Services ou du Contenu, y compris sans en exclure d'autres, des données, des textes, des logiciels, des ressemblances, des photographies, des images, des graphiques, du son, de la musique, de l'audio, de la vidéo, des messages et des étiquettes pour tout besoin d'affaire, commercial ou public. Tant que vous vous conformez aux conditions de ce CLU, Sony vous accorde un droit limité non exclusif, non transférable à utiliser la fonction Sony Entertainment Network pour accéder aux Services et au Contenu comme il est établi dans ce CLU. Vous acceptez de plus de ne pas interrompre/perturber ou tenter d'interrompre/perturber l'exploitation des Logiciels Sony, des Services ou du Contenu de toute façon qui soit.

Si vous croyez que votre travail a été copié de toute façon qui constitue une violation à un droit d'auteur ou que vos droits de propriété intellectuelle n'ont pas été respectés, veuillez d'abord communiquer avec le Fournisseur tiers pour ce Service en particulier. Si vous ne pouvez pas communiquer avec un tel Fournisseur tiers ou si le contenu en question appartient à Sony, vous pouvez communiquer avec l'agent de propriété intellectuelle de Sony (indiqué ci-dessous) en incluant les renseignements suivants dans un avis écrit: (a) une signature électronique ou physique de la personne autorisée à agir au nom du propriétaire du droit d'auteur ou de la propriété intellectuelle; (b) une description du travail protégé par un droit d'auteur ou de la propriété intellectuelle que vous alléguiez a été violée; (c) une description du Service en particulier et l'endroit où le

document que vous alléguiez a été violé se trouve sur un tel Service avec suffisamment de détails afin que nous puissions trouver le document; (d) votre adresse, numéro de téléphone et adresse électronique; (e) une déclaration par vous que vous croyez de bonne foi que l'utilisation contestée n'est pas autorisée par le propriétaire du droit d'auteur ou de la propriété intellectuelle, son agent ou la loi; et (f) une déclaration par vous, effectuée sous peine de parjure, que les renseignements indiqués dans votre avis sont exacts et que vous êtes le propriétaire du droit d'auteur ou de la propriété intellectuelle ou autorisé à agir au nom du propriétaire du droit d'auteur ou de la propriété intellectuelle. L'agent de Sony concernant les revendications de violation de droit d'auteur ou de propriété intellectuelle est le suivant: Intellectual Property Agent, c/o Sony Electronics Inc., 16530 Via Esprillo, San Diego, CA 92127 É.-U.; télécopieur (858) 942-9123; Courriel: IPagent@am.sony.com.

### **INDEMNISATION**

Vous acceptez d'indemniser, de défendre et de garantir Sony et tous ses agents, directeurs, dirigeants, employés, fournisseurs de renseignements et parents directs et indirects (collectivement, les « Parties indemnisées ») contre toutes les responsabilités et tous les frais (y compris, sans en exclure d'autres, les frais et honoraires d'avocat) encourus par les Parties indemnisées relativement à toute revendication survenant de (i) toute violation ou présumée violation par vous à ce CLU quel qu'en soit le moyen, (ii) tout renseignement que vous soumettez à Sony en vertu des présentes, (iii) toute violation ou présumée violation par vous des droits d'un tiers, (iv) tout dommage causé ou présumé ayant été causé par vous aux Logiciels Sony, aux Services ou au Contenu. L'avocat que vous choisirez pour défendre ou régler une revendication doit être approuvé par Sony et/ou la(les) Partie(s) indemnisée(s) avant que cette personne soit retenue pour vous représenter et Sony et/ou la(les) Partie(s) indemnisée(s). Vous et votre avocat

collaborerez aussi raisonnablement qu'il est requis par la(les) Partie(s) indemnisée(s) pour défendre ou régler toute revendication. Sony et/ou la(les) Partie(s) indemnisée(s) se réservent le droit, à leurs propres frais, d'assumer la défense ou le règlement exclusifs et le contrôle de tout litige assujéti à une indemnisation de votre part. Vous ne devrez dans aucun cas consentir à un jugement, règlement, saisie ou privilège ou à tout autre acte défavorable aux intérêts de Sony ou de la Partie indemnisée sans le consentement préalable écrit de Sony et/ou de la(les) Partie(s) indemnisée(s).

### **FONCTION DE MISE À NIVEAU AUTOMATIQUE / MODIFICATION DU CLU RELATIVEMENT AUX SERVICES**

De temps à autre, Sony ou des tiers peuvent automatiquement mettre à jour ou autrement modifier les Logiciels Sony, par exemple, sans en exclure d'autres, dans le but de corriger des erreurs, d'améliorer des caractéristiques ou de rehausser les fonctions de sécurité. De telles mises à jour ou modifications peuvent changer ou effacer la nature de caractéristiques ou d'autres aspects des Logiciels Sony, y compris des caractéristiques sur lesquelles vous pouvez compter. Vous acceptez par les présentes que de telles activités puissent se produire à l'entière discrétion de Sony et que Sony peut conditionner l'utilisation continue des Logiciels Sony sur votre installation complète ou accord à de telles mises à jour ou modifications. Sony peut ajouter, modifier ou retirer toute partie, modalité ou condition du CLU qui s'applique aux Logiciels Sony, aux Services et/ou au Contenu en tout temps sans vous donner de préavis. De telles additions, modifications ou suppressions ou de telles modalités affichées dans la fonction Sony Entertainment Network s'appliqueront dès qu'elles seront affichées. En continuant à accéder aux Services, aux Services de contenu Sony, au Contenu et/ou au Contenu Sony après leur affichage, vous indiquez que vous les acceptez. SONY PEUT AJOUTER, MODIFIER, SUPPRIMER, RETIRER OU SUSPENDRE L'UN OU L'AUTRE DES

SERVICES OU DES SERVICES DE CONTENU SONY, DE FAÇON TEMPORAIRE OU PERMANENTE, À TOUT MOMENT, SANS VOUS AVISER PRÉALABLEMENT ET SANS RESPONSABILITÉ. SANS PORTER ATTEINTE AUX AUTRES DROITS, SONY PEUT SUSPENDRE OU METTRE FIN À CE CLU CONCERNANT LES SERVICES, LES SERVICES DE CONTENU SONY, LE CONTENU ET/OU LE CONTENU SONY IMMÉDIATEMENT APRÈS VOUS AVOIR AVISÉ SI VOUS NE VOUS CONFORMEZ PAS AUX CONDITIONS DE CE CLU. Sony peut engager tout remède légal et technique pour empêcher la violation et/ou pour faire respecter ce CLU, y compris, sans en exclure d'autres, la terminaison immédiate de votre accès aux Services si Sony croit, à sa discrétion, que vous violez ce CLU.

### **ACTIVITÉS À RISQUÉ ÉLEVÉ**

Les Logiciels Sony ne sont pas insensibles aux défaillances et n'ont pas été conçus, fabriqués ou ne sont pas destinés à une utilisation ou à la revente à titre d'équipement de contrôle en ligne dans des environnements dangereux nécessitant un rendement à sécurité intégrée comme pour le fonctionnement d'installations nucléaires, de navigation aérienne ou de systèmes de communication, du contrôle de la circulation aérienne, d'appareils de survie ou de systèmes d'arme dans lesquels la défaillance des Logiciels Sony pourrait entraîner un décès, une blessure ou des dommages physiques ou environnementaux graves (« Activités à risque élevé »). SONY, CHACUN DES TIERS DONNEURS DE LICENCE ET CHACUNE DE LEUR SOCIÉTÉ AFFILIÉE RENONCENT SPÉCIFIQUEMENT À TOUTE GARANTIE EXPRESSE OU IMPLICITE OU CONDITION D'ADAPTATION AUX ACTIVITÉS À RISQUE ÉLEVÉ.

### **RESTRICTIONS SUR L'EXPORTATION DE LA TECHNOLOGIE DE CHIFFREMENT**

Les Logiciels Sony et le Contenu peuvent comprendre de la technologie de chiffrement. Vous reconnaissez que toute exportation des Logiciels Sony ou du Contenu comprenant de la technologie de chiffrement des États-



Unis ou toute réexportation subséquente de tels logiciels par une personne située à l'extérieur des États-Unis nécessite une licence ou autre autorisation de la part du Bureau de l'industrie et de la sécurité du Département du commerce des É.-U. Vous reconnaissez de plus que les Logiciels Sony ou le Contenu comprenant de la technologie de chiffrement et obtenus de Sony ne sont pas destinés à être utilisés par un utilisateur d'un gouvernement étranger. En acceptant ce contrat de licence, vous acceptez de respecter toutes les lois et tous les règlements applicables sur l'exportation relativement à l'achat et l'utilisation du produit Sony étant acquis, y compris sans en exclure d'autres, les règlements concernant le contrôle d'exportation d'articles cryptographiques et de ne pas transférer ou autoriser le transfert des Logiciels Sony ou du Contenu vers un pays interdit ou autrement en violation de telles restrictions ou règles.

#### **DROITS LIMITÉS DU GOUVERNEMENT DES É.-U.**

Les Logiciels Sony sont fournis avec des DROITS LIMITÉS. L'utilisation, la duplication ou la divulgation par le gouvernement des États-Unis sont soumises aux restrictions établies dans les sous-paragraphes (c)(1) et (c)(2) de la disposition des logiciels commerciaux à FAR 52.227 19, et le sous-paragraph (c)(i)(ii) des droits dans la disposition des logiciels informatiques et données techniques à DOD FAR 252.227-7013 et toute loi ou tout règlement comparable fédéral, provincial ou local. Le fabricant est Sony Electronics Inc., 16530 Via Esprillo, San Diego, CA 92127 É.-U.

#### **RENONCIATION À UN PROCÈS DEVANT JURY**

LES PARTIES AUX PRÉSENTES RENONCENT AU PROCÈS PAR JURY EN CE QUI CONCERNE TOUT CONFLIT ISSU OU CONCERNANT CE CLU. Toute cause d'action que vous pouvez avoir relativement à votre utilisation des Services doit être entamée dans un délai d'un (1) an après la survenance de la revendication ou de la cause d'action.

#### **CONTRAT INTÉGRAL, AVIS, RENONCIATION, DIVISIBILITÉ**

Ce CLU, la garantie limitée accompagnant le produit Sony, la politique de confidentialité de Sony en vigueur à ce moment et toutes les conditions et modalités affichées sur les Services, ensemble représentent le contrat intégral entre vous et Sony en ce qui concerne le produit Sony, les Logiciels Sony, les Services et le Contenu. Tout avis de Sony relatif aux présentes peut être effectué par lettre, courriel ou affichage sur les Services. Toute défaillance de Sony à exercer ou à faire observer un droit ou une disposition de ce CLU ne représente pas une renonciation à un tel droit ou une telle disposition. Si une partie de ce CLU est reconnu invalide, illégale ou inexécutable, cette disposition sera observée dans la plus grande mesure permise en vue de respecter l'intention de ce CLU et les autres parties demeureront en vigueur.

#### **BÉNÉFICIAIRE TIERS**

Chaque Tiers donneur de licence et chaque Fournisseur tiers sont des bénéficiaires tiers exprès envisagés et auront le droit de faire observer chaque disposition de ce CLU relativement aux logiciels, services et contenu, le cas échéant, d'une telle partie.

#### **LOGICIELS EXCLUS**

Les logiciels exclus compris dans le produit Sony ne sont pas assujettis au CLU. Veuillez vous reporter à la section de ce livret intitulée « AVIS ET LICENCES POUR LE LOGICIEL UTILISÉ DANS CE PRODUIT » pour obtenir une liste des logiciels applicables et des conditions gouvernant l'utilisation de tels Logiciels exclus.

#### **DURÉE**

Ce CLU est en vigueur jusqu'à ce qu'il soit résilié. Sony peut résilier ce CLU immédiatement si vous ne vous conformez pas à ses conditions en vous remettant un avis. Dans un tel cas, vous devez détruire les Logiciels Sony et la documentation connexe et toutes les copies que vous en avez faites. De plus, dès la résiliation, vous n'aurez aucun recours contre Sony, ses sociétés affiliées, ses Tiers donneurs de licence ou ses Fournisseurs tiers pour votre incapacité à

utiliser les Logiciels Sony ou la documentation connexe, les Services ou le Contenu.

Si vous avez des questions concernant ce CLU, vous pouvez communiquer avec Sony en écrivant à Sony Electronics Inc. 16530 Via Esprillo, San Diego, Californie 92127 É.-U.

# AVIS ET LICENCES POUR LE LOGICIEL UTILISÉ DANS CE PRODUIT

## LOGICIEL SOUS LICENCE PUBLIQUE GÉNÉRALISÉE ET LICENCE PUBLIQUE GÉNÉRALISÉE AMOINDRIE

Les logiciels de la licence publique généralisée et les composants de la licence publique généralisée amoindrie suivants, sont utilisés dans ce produit et sont sujets aux accords de la licence publique généralisée et de la licence publique généralisée amoindrie inclus dans cette documentation :

### Liste de l'emballage :

linux-kernel  
gcc-for-dev  
alsa-lib  
busybox  
directfb  
dosfstools  
fuse  
glib  
glibc-for-dev  
iptables  
libmicrohttpd  
pump-autoip  
libjs  
exceptionmonitor  
crypto  
cairo  
pango  
WebCore  
JavaScriptCore  
Linux UVC  
Video for Linux Two (V4L2)  
iconv  
Webkit  
Qt

Les codes sources de ces logiciels et de ces composants peuvent être obtenus à partir du lien hypertexte suivant : <http://www.sony.net/Products/Linux/>

Ceci est une traduction non officielle de la GNU General Public License en français. Elle n'a pas été publiée par la Free Software Foundation, et ne détermine pas les termes de distribution pour les logiciels qui utilisent la GNU GPL. Seul le texte anglais original de la GNU GPL déterminent ces termes. Cependant, nous espérons que cette traduction aidera les francophones à mieux comprendre la GNU GPL.

This is an unofficial translation of the GNU General Public License into French. It was not published by the Free Software Foundation, and does not legally state the distribution terms for software that uses the GNU GPL--only the original English text of the GNU GPL does that. However, we hope that this translation will help French speakers understand the GNU GPL better.

## LICENCE PUBLIQUE GÉNÉRALE GNU

Version 2, Juin 1991

Copyright (C) 1989, 1991 Free Software Foundation, Inc., 51 Franklin Street, Fifth Floor, Boston, MA 02110-1301, USA. La copie et la distribution de copies exactes de ce document sont autorisées, mais aucune modification n'est permise.

### Préambule

Les licences de la plupart des logiciels sont conçues pour vous enlever toute liberté de les partager et de les modifier. A contrario, la Licence Publique Générale est destinée à garantir votre liberté de partager et de modifier les logiciels libres, et à assurer que ces logiciels soient libres pour tous leurs utilisateurs. La présente Licence Publique Générale s'applique à la plupart des logiciels de la Free Software Foundation, ainsi qu'à tout autre programme pour lequel ses auteurs s'engagent à l'utiliser. (Certains autres logiciels de la Free Software Foundation sont couverts par la GNU Lesser General Public License à la place.) Vous pouvez aussi l'appliquer aux programmes qui sont les vôtres.

Quand nous parlons de logiciels libres, nous parlons de liberté, non de prix. Nos licences publiques générales sont conçues pour vous donner l'assurance d'être libres de distribuer des copies des logiciels libres (et de facturer ce service, si vous le souhaitez), de recevoir le code source ou de pouvoir l'obtenir si vous le souhaitez, de pouvoir modifier les logiciels ou en utiliser des éléments dans de nouveaux programmes libres et de savoir que vous pouvez le faire.

Pour protéger vos droits, il nous est nécessaire d'imposer des limitations qui interdisent à quiconque de vous refuser ces droits ou de vous demander d'y renoncer. Certaines responsabilités vous incombent en raison de ces limitations si vous distribuez des copies de ces logiciels, ou si vous les modifiez.

Par exemple, si vous distribuez des copies d'un tel programme, à titre gratuit ou contre une rémunération, vous devez accorder aux destinataires tous les droits dont vous disposez. Vous devez vous assurer qu'eux aussi reçoivent ou puissent disposer du code source. Et vous devez leur montrer les présentes conditions afin qu'ils aient connaissance de leurs droits.

Nous protégeons vos droits en deux étapes : (1) nous sommes titulaires des droits d'auteur du logiciel, et (2) nous vous délivrons cette licence, qui vous donne l'autorisation légale de copier, distribuer et/ou modifier le logiciel.

En outre, pour la protection de chaque auteur ainsi que la nôtre, nous voulons nous assurer que chacun

FR

comprenne que ce logiciel libre ne fait l'objet d'aucune garantie. Si le logiciel est modifié par quelqu'un d'autre puis transmis à des tiers, nous voulons que les destinataires soient mis au courant que ce qu'ils ont reçu n'est pas le logiciel d'origine, de sorte que tout problème introduit par d'autres ne puisse entacher la réputation de l'auteur original.

En définitive, un programme libre restera à la merci des brevets de logiciels. Nous souhaitons éviter le risque que les redistributeurs d'un programme libre fassent des demandes individuelles de licence de brevet, ceci ayant pour effet de rendre le programme propriétaire. Pour éviter cela, nous établissons clairement que toute licence de brevet doit être concédée de façon à ce que l'usage en soit libre pour tous ou bien qu'aucune licence ne soit concédée.

Les termes exacts et les conditions de copie, distribution et modification sont les suivants :

### **CONDITIONS DE COPIE, DISTRIBUTION ET MODIFICATION DE LA LICENCE PUBLIQUE GÉNÉRALE GNU.**

**0.** La présente Licence s'applique à tout programme ou tout autre ouvrage contenant un avis, apposé par le titulaire des droits d'auteur, stipulant qu'il peut être distribué au titre des conditions de la présente Licence Publique Générale. Ci-après, le 'Programme' désigne l'un quelconque de ces programmes ou ouvrages, et un 'ouvrage fondé sur le Programme' désigne soit le Programme, soit un ouvrage qui en dérive au titre des lois sur le droit d'auteur : en d'autres termes, un ouvrage contenant le Programme ou une partie de ce dernier, soit à l'identique, soit avec des modifications et/ou traduit dans un autre langage. (Ci-après, le terme 'modification' implique, sans s'y réduire, le terme traduction) Chaque concessionnaire sera désigné par 'vous'.

Les activités autres que la copie, la distribution et la modification ne sont pas couvertes par la présente Licence ; elles sont hors de son champ d'application. L'opération consistant à exécuter le Programme n'est soumise à aucune limitation et les sorties du programme ne sont couvertes que si leur contenu constitue un ouvrage fondé sur le Programme (indépendamment du fait qu'il ait été réalisé par l'exécution du Programme). La validité de ce qui précède dépend de ce que fait le Programme.

**1.** Vous pouvez copier et distribuer des copies à l'identique du code source du Programme tel que vous l'avez reçu, sur n'importe quel support, du moment que vous apposez sur chaque copie, de manière ad hoc et parfaitement visible, l'avis de droit d'auteur adéquat et une exonération de garantie ; que vous gardiez intacts

tous les avis faisant référence à la présente Licence et à l'absence de toute garantie ; et que vous fournissiez à tout destinataire du Programme autre que vous-même un exemplaire de la présente Licence en même temps que le Programme.

Vous pouvez faire payer l'acte physique de transmission d'une copie, et vous pouvez, à votre discrétion, proposer une garantie contre rémunération.

**2.** Vous pouvez modifier votre copie ou des copies du Programme ou n'importe quelle partie de celui-ci, créant ainsi un ouvrage fondé sur le Programme, et copier et distribuer de telles modifications ou ouvrage selon les termes de l'Article 1 ci-dessus, à condition de vous conformer également à chacune des obligations suivantes :

**a)** Vous devez munir les fichiers modifiés d'avis bien visibles stipulants que vous avez modifié ces fichiers, ainsi que la date de chaque modification ;

**b)** Vous devez prendre les dispositions nécessaires pour que tout ouvrage que vous distribuez ou publiez, et qui, en totalité ou en partie, contient ou est fondé sur le Programme - ou une partie quelconque de ce dernier - soit concédé comme un tout, à titre gratuit, à n'importe quel tiers, au titre des conditions de la présente Licence.

**c)** Si le programme modifié lit habituellement des instructions de façon interactive lorsqu'on l'exécute, vous devez, quand il commence son exécution pour ladite utilisation interactive de la manière la plus usuelle, faire en sorte qu'il imprime ou affiche une annonce comprenant un avis de droit d'auteur ad hoc, et un avis stipulant qu'il n'y a pas de garantie (ou bien indiquant que c'est vous qui fournissez la garantie), et que les utilisateurs peuvent redistribuer le programme en respectant les présentes obligations, et expliquant à l'utilisateur comment voir une copie de la présente Licence. (Exception : si le Programme est lui-même interactif mais n'imprime pas habituellement une telle annonce, votre ouvrage fondé sur le Programme n'est pas obligé d'imprimer une annonce).

Ces obligations s'appliquent à l'ouvrage modifié pris comme un tout. Si des éléments identifiables de cet ouvrage ne sont pas fondés sur le Programme et peuvent raisonnablement être considérés comme des ouvrages indépendants distincts en eux mêmes, alors la présente Licence et ses conditions ne s'appliquent pas à ces éléments lorsque vous les distribuez en tant qu'ouvrages distincts. Mais lorsque vous distribuez ces mêmes éléments comme partie d'un tout, lequel constitue un ouvrage fondé sur le Programme, la distribution de ce tout doit être soumise aux conditions de la présente Licence, et les autorisations qu'elle octroie aux autres concessionnaires s'étendent à

l'ensemble de l'ouvrage et par conséquent à chaque et toute partie indifféremment de qui l'a écrite.

Par conséquent, l'objet du présent article n'est pas de revendiquer des droits ou de contester vos droits sur un ouvrage entièrement écrit par vous; son objet est plutôt d'exercer le droit de contrôler la distribution d'ouvrages dérivés ou d'ouvrages collectifs fondés sur le Programme.

De plus, la simple proximité du Programme avec un autre ouvrage qui n'est pas fondé sur le Programme (ou un ouvrage fondé sur le Programme) sur une partition d'un espace de stockage ou un support de distribution ne place pas cet autre ouvrage dans le champ d'application de la présente Licence.

**3.** Vous pouvez copier et distribuer le Programme (ou un ouvrage fondé sur lui, selon l'Article 2) sous forme de code objet ou d'exécutable, selon les termes des Articles 1 et 2 ci-dessus, à condition que vous accomplissiez l'un des points suivants :

**a)** L'accompagner de l'intégralité du code source correspondant, sous une forme lisible par un ordinateur, lequel doit être distribué au titre des termes des Articles 1 et 2 ci-dessus, sur un support habituellement utilisé pour l'échange de logiciels; ou,

**b)** L'accompagner d'une proposition écrite, valable pendant au moins trois ans, de fournir à tout tiers, à un tarif qui ne soit pas supérieur à ce que vous coûte l'acte physique de réaliser une distribution source, une copie intégrale du code source correspondant sous une forme lisible par un ordinateur, qui sera distribuée au titre des termes des Articles 1 et 2 ci-dessus, sur un support habituellement utilisé pour l'échange de logiciels; ou,

**c)** L'accompagner des informations reçues par vous concernant la proposition de distribution du code source correspondant. (Cette solution n'est autorisée que dans le cas d'une distribution non commerciale et seulement si vous avez reçu le programme sous forme de code objet ou d'exécutable accompagné d'une telle proposition - en conformité avec le sous-Article b ci-dessus.)

Le code source d'un ouvrage désigne la forme favorite pour travailler à des modifications de cet ouvrage. Pour un ouvrage exécutable, le code source intégral désigne la totalité du code source de la totalité des modules qu'il contient, ainsi que les éventuels fichiers de définition des interfaces qui y sont associés, ainsi que les scripts utilisés pour contrôler la compilation et l'installation de l'exécutable. Cependant, par exception spéciale, le code source distribué n'est pas censé inclure quoi que ce soit de normalement distribué (que ce soit sous forme source ou binaire) avec les composants principaux (compilateur, noyau, et autre) du système d'exploitation

sur lequel l'exécutable tourne, à moins que ce composant lui-même n'accompagne l'exécutable.

Si distribuer un exécutable ou un code objet consiste à offrir un accès permettant leur copie depuis un endroit particulier, alors l'offre d'un accès équivalent pour copier le code source depuis le même endroit compte comme une distribution du code source - même si les tiers ne sont pas contraints de copier le source en même temps que le code objet.

**4.** Vous ne pouvez copier, modifier, concéder en sous-licence, ou distribuer le Programme, sauf tel qu'expressément prévu par la présente Licence. Toute tentative de copier, modifier, concéder en sous-licence, ou distribuer le Programme d'une autre manière est réputée non valable, et met immédiatement fin à vos droits au titre de la présente Licence. Toutefois, les tiers ayant reçu de vous des copies, ou des droits, au titre de la présente Licence ne verront pas leurs autorisations résiliées aussi longtemps que ledits tiers se conforment pleinement à elle.

**5.** Vous n'êtes pas obligé d'accepter la présente Licence étant donné que vous ne l'avez pas signée. Cependant, rien d'autre ne vous accorde l'autorisation de modifier ou distribuer le Programme ou les ouvrages fondés sur lui. Ces actions sont interdites par la loi si vous n'acceptez pas la présente Licence. En conséquence, en modifiant ou distribuant le Programme (ou un ouvrage quelconque fondé sur le Programme), vous signifiez votre acceptation de la présente Licence en le faisant, et de toutes ses conditions concernant la copie, la distribution ou la modification du Programme ou d'ouvrages fondés sur lui.

**6.** Chaque fois que vous redistribuez le Programme (ou n'importe quel ouvrage fondé sur le Programme), une licence est automatiquement concédée au destinataire par le concédant originel de la licence, l'autorisant à copier, distribuer ou modifier le Programme, sous réserve des présentes conditions. Vous ne pouvez imposer une quelconque limitation supplémentaire à l'exercice des droits octroyés au titre des présentes par le destinataire. Vous n'avez pas la responsabilité d'imposer le respect de la présente Licence à des tiers.

**7.** Si, conséquemment à une décision de justice ou l'allégation d'une transgression de brevet ou pour toute autre raison (non limitée à un problème de brevet), des obligations vous sont imposées (que ce soit par jugement, conciliation ou autre) qui contredisent les conditions de la présente Licence, elles ne vous excusent pas des conditions de la présente Licence. Si vous ne pouvez distribuer de manière à satisfaire simultanément vos obligations au titre de la présente Licence et toute autre obligation pertinente, alors il en découle que vous ne pouvez pas du tout distribuer le

Programme. Par exemple, si une licence de brevet ne permettait pas une redistribution sans redevance du Programme par tous ceux qui reçoivent une copie directement ou indirectement par votre intermédiaire, alors la seule façon pour vous de satisfaire à la fois à la licence du brevet et à la présente Licence serait de vous abstenir totalement de toute distribution du Programme.

Si une partie quelconque de cet article est tenue pour nulle ou inopposable dans une circonstance particulière quelconque, l'intention est que le reste de l'article s'applique. La totalité de la section s'appliquera dans toutes les autres circonstances. Cet article n'a pas pour but de vous induire à transgresser un quelconque brevet ou d'autres revendications à un droit de propriété ou à contester la validité de la moindre de ces revendications ; cet article a pour seul objectif de protéger l'intégrité du système de distribution du logiciel libre, qui est mis en oeuvre par la pratique des licences publiques. De nombreuses personnes ont fait de généreuses contributions au large spectre de logiciels distribués par ce système en se fiant à l'application cohérente de ce système ; il appartient à chaque auteur/donateur de décider si il ou elle veut distribuer du logiciel par l'intermédiaire d'un quelconque autre système et un concessionnaire ne peut imposer ce choix.

Cet article a pour but de rendre totalement limpide ce que l'on pense être une conséquence du reste de la présente Licence.

**8.** Si la distribution et/ou l'utilisation du Programme est limitée dans certains pays que ce soit par des brevets ou par des interfaces soumises au droit d'auteur, le titulaire originel des droits d'auteur qui décide de couvrir le Programme par la présente Licence peut ajouter une limitation géographique de distribution explicite qui exclue ces pays afin que la distribution soit permise seulement dans ou entre les pays qui ne sont pas ainsi exclus. Dans ce cas, la présente Licence incorpore la limitation comme si elle était écrite dans le corps de la présente Licence.

**9.** La Free Software Foundation peut, de temps à autre, publier des versions révisées et/ou nouvelles de la Licence Publique Générale. De telles nouvelles versions seront similaires à la présente version dans l'esprit mais pourront différer dans le détail pour prendre en compte de nouvelles problématiques ou inquiétudes.

Chaque version possède un numéro de version la distinguant. Si le Programme précise le numéro de version de la présente Licence qui s'y applique et 'une version ultérieure quelconque', vous avez le choix de suivre les conditions de la présente version ou de toute autre version ultérieure publiée par la Free Software Foundation. Si le Programme ne spécifie aucun numéro de version de la présente Licence, vous pouvez choisir

une version quelconque publiée par la Free Software Foundation à quelque moment que ce soit.

**10.** Si vous souhaitez incorporer des parties du Programme dans d'autres programmes libres dont les conditions de distribution sont différentes, écrivez à l'auteur pour lui en demander l'autorisation. Pour les logiciels dont la Free Software Foundation est titulaire des droits d'auteur, écrivez à la Free Software Foundation ; nous faisons parfois des exceptions dans ce sens. Notre décision sera guidée par le double objectif de préserver le statut libre de tous les dérivés de nos logiciels libres et de promouvoir le partage et la réutilisation des logiciels en général.

#### **ABSENCE DE GARANTIE**

**11.** COMME LA LICENCE DU PROGRAMME EST CONCEDEE A TITRE GRATUIT, AUCUNE GARANTIE NE S'APPLIQUE AU PROGRAMME, DANS LES LIMITES AUTORISEES PAR LA LOI APPLICABLE. SAUF MENTION CONTRAIRE ECRITE, LES TITULAIRES DU DROIT D'AUTEUR ET/OU LES AUTRES PARTIES FOURNISSENT LE PROGRAMME 'EN L'ETAT', SANS AUCUNE GARANTIE DE QUELQUE NATURE QUE CE SOIT, EXPRESSE OU IMPLICITE, Y COMPRIS, MAIS SANS Y ETRE LIMITE, LES GARANTIES IMPLICITES DE COMMERCIALISABILITE ET DE LA CONFORMITE A UNE UTILISATION PARTICULIERE. VOUS ASSUMEZ LA TOTALITE DES RISQUES LIES A LA QUALITE ET AUX PERFORMANCES DU PROGRAMME. SI LE PROGRAMME SE REVELAIT DEFECTUEUX, LE COUT DE L'ENTRETIEN, DES REPARATIONS OU DES CORRECTIONS NECESSAIRES VOUS INCOMBENT INTEGRALEMENT.

**12.** EN AUCUN CAS, SAUF LORSQUE LA LOI APPLICABLE OU UNE CONVENTION ECRITE L'EXIGE, UN TITULAIRE DE DROIT D'AUTEUR QUEL QU'IL SOIT, OU TOUTE PARTIE QUI POURRAIT MODIFIER ET/OU REDISTRIBUER LE PROGRAMME COMME PERMIS CI-DESSUS, NE POURRAIT ETRE TENU POUR RESPONSABLE A VOTRE EGARD DES DOMMAGES, INCLUANT LES DOMMAGES GENERIQUES, SPECIFIQUES, SECONDAIRES OU CONSECUTIFS, RESULTANT DE L'UTILISATION OU DE L'INCAPACITE D'UTILISER LE PROGRAMME (Y COMPRIS, MAIS SANS Y ETRE LIMITE, LA PERTE DE DONNEES, OU LE FAIT QUE DES DONNEES SOIENT RENDUES IMPRECISES, OU LES PERTES EPROUVEES PAR VOUS OU PAR DES TIERS, OU LE FAIT QUE LE PROGRAMME ECHOUE A INTEROPERER AVEC UN AUTRE PROGRAMME QUEL QU'IL SOIT) MEME SI LE DIT TITULAIRE DU DROIT D'AUTEUR OU LE PARTIE CONCERNEE A ETE AVERTI DE L'EVENTUALITE DE TELS DOMMAGES.

## FIN DES CONDITIONS

### Comment appliquer ces conditions à vos nouveaux programmes

Si vous développez un nouveau programme, et si vous voulez qu'il soit de la plus grande utilité possible pour le public, le meilleur moyen d'y parvenir est d'en faire un logiciel libre que chacun peut redistribuer et modifier au titre des présentes conditions.

Pour ce faire, munissez le programme des avis qui suivent. Le plus sûr est de les ajouter au début de chaque fichier source pour véhiculer le plus efficacement possible l'absence de toute garantie ; chaque fichier devrait aussi contenir au moins la ligne 'copyright' et une indication de l'endroit où se trouve l'avis complet.

[Une ligne donnant le nom du programme et une courte idée de ce qu'il fait.] Copyright (C) [année] [nom de l'auteur]

Ce programme est un logiciel libre ; vous pouvez le redistribuer et/ou le modifier au titre des clauses de la Licence Publique Générale GNU, telle que publiée par la Free Software Foundation ; soit la version 2 de la Licence, ou (à votre discrétion) une version ultérieure quelconque.

Ce programme est distribué dans l'espoir qu'il sera utile, mais SANS AUCUNE GARANTIE ; sans même une garantie implicite de COMMERCIALITE ou DE CONFORMITE A UNE UTILISATION PARTICULIERE. Voir la Licence Publique Générale GNU pour plus de détails.

Vous devriez avoir reçu un exemplaire de la Licence Publique Générale GNU avec ce programme ; si ce n'est pas le cas, écrivez à la Free Software Foundation Inc., 51 Franklin Street, Fifth Floor, Boston, MA 02110-1301, USA.

Ajoutez aussi des informations sur la manière de vous contacter par courrier électronique et courrier postal. Si le programme est interactif, faites en sorte qu'il affiche un court avis tel que celui-ci lorsqu'il démarre en mode interactif :

Gnomovision version 69, Copyright (C) année nom de l'auteur Gnomovision n'est accompagné d'ABSOLUMENT AUCUNE GARANTIE ; pour plus de détails tapez 'show w'.

Ceci est un logiciel libre et vous êtes invité à le redistribuer en respectant certaines obligations ; pour plus de détails tapez 'show c'.

Les instructions hypothétiques 'show w' et 'show c' sont supposées montrer les parties ad hoc de la Licence Publique Générale. Bien entendu, les instructions que vous utilisez peuvent porter d'autres noms que 'show w' et 'show c' ; elles peuvent même être des clics de souris

ou des éléments d'un menu ou tout ce qui convient à votre programme.

Vous devriez aussi obtenir de votre employeur (si vous travaillez en tant que développeur) ou de votre école, si c'est le cas, qu'il (ou elle) signe une 'renonciation aux droits d'auteur' concernant le programme, si nécessaire. Voici un exemple (changez les noms) :

Yoyodyne, Inc., déclare par la présente renoncer à toute prétention sur les droits d'auteur du programme 'Gnomovision' (qui fait des avances aux compilateurs) écrit par James Hacker.

[signature de Ty Coon], 1er avril 1989 Ty Coon,  
Vice-président

La présente Licence Publique Générale n'autorise pas l'incorporation de votre programme dans des programmes propriétaires. Si votre programme est une bibliothèque de sous-programmes, vous pouvez considérer plus utile d'autoriser l'édition de liens d'applications propriétaires avec la bibliothèque. Si c'est ce que vous voulez faire, utilisez la GNU Lesser General Public License au lieu de la présente Licence.

=====

### LICENCE GÉNÉRALE PUBLIQUE LIMITÉE GNU (GNU LESSER GENERAL PUBLIC LICENSE)

Version 2.1, février 1999.

Copyright (C) 1991, 1999 Free Software Foundation, Inc. — Tous droits réservés. 51 Franklin Street, Fifth Floor, Boston, MA 02110-1301, USA.

Chacun est autorisé à copier et distribuer des copies conformes de ce document de licence, mais toute modification en est proscrite.

[Ceci est la première version publiée de la « Licence Générale Publique Limitée » (LGPL). Elle compte en tant que successeur de la « Licence Générale Publique de Bibliothèque » GNU version 2, d'où le numéro de version 2.1.]

Traduction française par Philippe Verdy <verdy\_p (à) wanadoo (point) fr>, le 25 août 2005 (dernière correction le 8 janvier 2008).

La présente version corrige quelques fautes mineures de français ou imprécisions.

Avertissement important au sujet de cette traduction française.

Ceci est une traduction en français de la licence "GNU Lesser General Public License" (alias LGPL). Cette traduction est fournie ici dans l'espoir qu'elle facilitera sa compréhension, mais elle ne constitue pas une traduction officielle ou approuvée d'un point de vue juridique.

La Free Software Foundation (FSF) ne publie pas cette traduction et ne l'a pas approuvée en tant que substitut

FR

valide au plan légal pour la licence authentique “GNU Lesser General Public Licence”. Cette traduction n’a pas encore été passée en revue attentivement par un juriste et donc le traducteur ne peut garantir avec certitude qu’elle représente avec exactitude la signification légale des termes de la licence authentique “GNU Lesser General Public License” publiée en anglais.

Cette traduction n’établit légalement aucun des termes de distribution d’un logiciel utilisant la licence GNU LGPL — seul le texte original en anglais le fait. Si vous souhaitez être sûr que les activités que vous projetez seront autorisées par la GNU Lesser General Public License, veuillez vous référer à la seule version anglaise authentique.

La Free Software Foundation vous recommande fermement de ne pas utiliser cette traduction en tant que termes officiels pour vos propres programmes ; veuillez plutôt utiliser la version anglaise authentique telle que publiée par la Free Software Foundation.

Si vous choisissez de publier cette traduction de licence en même temps qu’une bibliothèque sous licence LGPL, cela ne vous dispense pas de l’obligation de fournir en même temps une copie de la licence authentique en Anglais, et de conserver cet avertissement important en Français et sa traduction en Anglais ci-dessous.

**Important Warning About This French Translation.**  
This is a translation of the GNU Lesser General Public License into French. This translation is distributed in the hope that it will facilitate understanding, but it is not an official or legally approved translation.

The Free Software Foundation is not the publisher of this translation and has not approved it as a legal substitute for the authentic GNU Lesser General Public License. The translation has not been reviewed carefully by lawyers, and therefore the translator cannot be sure that it exactly represents the legal meaning of the authentic GNU Lesser General Public License published in English.

This translation does not legally state the distribution terms for software that uses the GNU LGPL — only the original English text of the GNU LGPL does that. If you wish to be sure whether your planned activities are permitted by the GNU Lesser General Public License, please refer to the authentic English version.

The Free Software Foundation strongly urges you not to use this translation as the official distribution terms for your programs; instead, please use the authentic English version published by the Free Software Foundation.

If you choose to publish this translated licence with a library covered by the LGPL Licence, this does not remove your obligation to provide at the same time a copy of the authentic LGPL Licence in English, and you

must keep this important warning in English and its French translation above.

### **Préambule**

Les licences de la plupart des logiciels sont conçues pour vous ôter toute liberté de les partager et de les modifier. À l’opposé, les Licences Générales Publiques GNU ont pour but de vous garantir votre liberté de partager et modifier un logiciel libre — pour être sûr que le logiciel est bien libre pour tous les utilisateurs.

Cette licence, la « Licence Générale Publique Limitée » (“Lesser General Public License”), s’applique à certains paquets logiciels désignés spécifiquement — typiquement des bibliothèques — de la Free Software Foundation et d’autres auteurs qui décident de l’utiliser. Vous pouvez l’utiliser aussi, mais nous vous suggérons de considérer d’abord si la présente licence ou la « Licence Générale Publique GNU » (“GNU General Public License”) ordinaire est la meilleure stratégie à utiliser dans chaque cas particulier, suivant les explications données ci-dessous.

Quand nous parlons de logiciel libre, nous parlons de la liberté de l’utiliser, pas de son prix. Nos Licences Générales Publiques sont conçues pour s’assurer que vous disposerez de la liberté de distribuer des copies du logiciel libre (et de facturer ce service si vous le désirez) ; que vous recevrez le code source ou pouvez l’obtenir chaque fois que vous le souhaitez ; que vous pouvez modifier le logiciel et en utiliser tout ou partie dans de nouveaux programmes libres ; et que vous êtes informés que vous pouvez faire tout ceci.

Pour protéger vos droits, nous devons émettre des restrictions qui interdisent aux distributeurs de vous refuser ces droits ou de vous demander d’abandonner ces droits. Ces restrictions se traduisent par certaines responsabilités pour vous si vous distribuez des copies de la bibliothèque ou si vous la modifiez.

Par exemple, si vous distribuez des copies de la bibliothèque, que ce soit à titre gratuit ou contre un paiement, vous devez donner aux concessionnaires tous les droits que nous vous avons concédés. Si vous liez d’autres codes avec la bibliothèque, vous devez fournir des fichiers objets complets aux concessionnaires, de sorte qu’ils peuvent les lier à nouveau avec la bibliothèque après l’avoir modifiée et recompilée. Et vous devez leur montrer ces termes de sorte qu’ils puissent connaître leurs droits.

Nous protégeons vos droits par une méthode en deux étapes : (1) nous libellons la Bibliothèque avec une notice de propriété intellectuelle (“copyright”) et (2) nous vous offrons cette Licence, qui vous donne le droit de copier, distribuer ou modifier la bibliothèque.



Pour protéger chaque distributeur, nous voulons établir de façon très claire qu'il n'y a aucune garantie pour la Bibliothèque libre. Aussi, si la Bibliothèque est modifiée par quelqu'un d'autre qui la redistribue ensuite, ses concessionnaires devraient savoir que ce qu'ils ont n'est pas la version originale, de sorte que la réputation de l'auteur original ne sera pas affectée à cause de problèmes introduits par d'autres.

Enfin, les brevets logiciels constituent une menace constante contre l'existence même de tout logiciel libre. Nous voulons être sûr qu'une société ne peut pas effectivement restreindre les utilisateurs d'un programme libre en obtenant une licence restrictive d'un titulaire de brevet. Par conséquent, nous insistons pour que toute licence de brevet obtenue pour une version de la Bibliothèque soit cohérente avec sa pleine liberté d'utilisation spécifiée dans la présente Licence.

La plupart des logiciels GNU, y compris certaines bibliothèques, sont couverts par la « Licence Générale Publique GNU » ("GNU General Public License"). La présente licence s'applique à certaines bibliothèques désignées et est assez différente de la « Licence Générale Publique ». Nous utilisons la présente licence pour certaines bibliothèques afin de permettre de lier ces bibliothèques, sous certaines conditions, à des programmes non libres.

Quand un programme est lié avec une bibliothèque, que ce soit statiquement ou avec une bibliothèque partagée, la combinaison des deux constitue, en termes légaux, un « travail combiné », un « dérivé » de la bibliothèque originale. Il s'ensuit que la « Licence Générale Publique » ordinaire ne permet une telle liaison que si l'entière combinaison remplit ses critères et conditions de liberté. La « Licence Générale Publique Limitée » permet de desserrer les critères permettant de lier d'autres codes avec la bibliothèque.

Nous appelons cette licence la Licence Générale Publique « Limitée » ("Lesser General Public License) car elle offre en fait une protection plus limitée de la liberté de l'utilisateur que celle offerte par la « Licence Générale Publique » ordinaire. Elle offre aux autres développeurs de logiciels libres un avantage plus limité face aux programmes concurrents non libres. Ces désavantages sont la raison pour laquelle nous utilisons la « Licence Générale Publique » ordinaire pour de nombreuses bibliothèques. Cependant la licence limitée offre des avantages dans certaines circonstances spéciales.

Par exemple, en de rares occasions, il peut exister le besoin particulier d'encourager l'utilisation la plus large possible d'une certaine bibliothèque, afin qu'elle devienne un standard de facto. Pour arriver à cette fin, des programmes non libres doivent pouvoir être

autorisés à utiliser la bibliothèque. Un cas plus fréquent est qu'une bibliothèque libre effectue les mêmes tâches que des bibliothèques non libres largement utilisées. Dans ce cas, il n'y a pas grand chose à gagner à limiter la bibliothèque libre aux seuls logiciels libres, aussi nous utilisons la Licence Générale Publique Limitée. Dans d'autres cas, l'autorisation d'utiliser une bibliothèque particulière dans des programmes non libres permet à un plus grand nombre de personnes d'utiliser un corpus très large de logiciels libres. Par exemple, l'autorisation d'utiliser la bibliothèque C GNU dans des programmes non libres permet à plus de personnes d'utiliser le système d'exploitation GNU tout entier, de même que sa variante, le système d'exploitation GNU/Linux.

Bien que la « Licence Générale Publique Limitée » semble limiter la protection de la liberté de l'utilisateur, elle assure que l'utilisateur d'un programme lié avec la bibliothèque dispose de la liberté et du choix d'exécuter ce programme en utilisant une version modifiée de la bibliothèque.

Les termes et conditions précis concernant la copie, la distribution et la modification suivent. Prenez une attention tout particulière aux différences entre un « travail basé sur la Bibliothèque » et un « travail utilisant la Bibliothèque ». Le premier contient du code dérivé de la bibliothèque, tandis que le second doit être combiné avec la bibliothèque afin de pouvoir être exécuté.

## TERMES ET CONDITIONS CONCERNANT LA COPIE, LA DISTRIBUTION ET LA MODIFICATION

**0.** Cet Accord de Licence s'applique à toute bibliothèque logicielle ou tout programme contenant une notice placée par le titulaire de la réservation de droits ("copyright") ou toute autre partie autorisée indiquant que ce logiciel peut être distribué suivant les termes de cette Licence Générale Publique Limitée (appelée ci-dessous « cette Licence »). Chacun des concessionnaires de cette Licence sera désigné en tant que « Vous ».

Une « bibliothèque » signifie une collection de fonctions logicielles ou de données préparées de façon à être liée facilement à des programmes applicatifs (utilisant tout ou partie de ces fonctions et données) afin de former des exécutable.

La « Bibliothèque », ci-dessous, se réfère à toute bibliothèque logicielle ou travail qui a été distribué suivant ces termes. Un « travail basé sur la Bibliothèque » signifie soit la Bibliothèque ou tout travail dérivé pouvant être soumis aux lois de propriété intellectuelle : c'est-à-dire un travail contenant la Bibliothèque ou une portion de celle-ci, soit en copie conforme, soit avec des modification ou

traduit directement dans une autre langue. (Dans la suite ci-dessous, les traductions sont incluses sans limitation dans le terme « modification ».)

Le « code source » d'un travail signifie la forme préférée du travail permettant d'y effectuer des modifications. Pour une bibliothèque, le code source complet signifie tout le code source de tous les modules qu'elle contient, plus tous les fichiers de définition d'interface associés, plus les scripts utilisés pour contrôler la compilation et l'installation de la bibliothèque.

Les activités autres que la copie, la distribution et la modification ne sont pas couvertes par cette Licence ; elles sont en dehors de son étendue. L'action d'exécuter un programme utilisant la Bibliothèque n'est pas restreinte et les résultats produits par un tel programme ne sont couverts que si leur contenu constitue un travail basé sur la Bibliothèque (indépendamment de l'utilisation de la Bibliothèque dans un outil utilisé pour l'écrire). Que ce soit ou non le cas dépend de ce que réalise la Bibliothèque, et de ce que fait le programme utilisant la Bibliothèque.

**1.** Vous pouvez copier et distribuer des copies conformes du code source complet de la Bibliothèque que vous recevez, sur tout support, pourvu que vous publiiez scrupuleusement et de façon appropriée sur chaque copie la notice de réservation de droit ("copyright") et un « déni de garantie » ; gardez intactes toutes les notices qui se réfèrent à cette Licence et à l'absence de toute garantie ; et distribuez une copie de cette Licence en même temps que la Bibliothèque.

Vous pouvez demander un paiement pour l'action physique de transfert d'une copie et vous pouvez à volonté offrir une protection de garantie en échange d'un paiement.

**2.** Vous pouvez modifier votre ou vos copie(s) de la Bibliothèque ou toute portion de celle-ci et ainsi créer un travail basé sur la Bibliothèque et copier ou distribuer de telles modifications suivant les termes de la Section 1 ci-dessus, pourvu que vous satisfassiez également à chacune de ces conditions :

**a)** Le travail modifié doit être lui-même une bibliothèque logicielle.

**b)** Vous devez assurer que les fichiers modifiés comportent des notices évidentes établissant que vous avez changé les fichiers et la date de ces changements.

**c)** Vous devez assurer que l'ensemble du travail pourra être licencié sans frais à toute tierce partie suivant les termes de cette Licence.

**d)** Si une facilité dans la bibliothèque modifiée se réfère à une fonction ou une table de données devant être fournie par une application utilisant la facilité, autre qu'un argument passé quand la facilité est invoquée,

alors vous devez faire un effort en toute bonne foi pour vous assurer que, dans l'éventualité où une application ne fournirait pas une telle fonction ou table, la facilité restera opérationnelle et effectuera une partie quelconque de sa finalité de façon sensée.

(Par exemple, une fonction dans une bibliothèque pour calculer des racines carrées a une finalité qui est totalement bien définie indépendamment de l'application. Par conséquent, la Sous-section 2d requiert que toute fonction fournie par l'application ou table utilisée par cette fonction doit être optionnelle : si l'application n'en fournit pas, la fonction racine carrée doit encore pouvoir calculer des racines carrées.)

Ces obligations s'appliquent au travail modifié dans son entier. Si des sections identifiables de ce travail ne sont pas dérivées dans la Bibliothèque, et peuvent être raisonnablement considérées comme des travaux indépendants et séparés par eux-mêmes, alors cette Licence et ses termes, ne s'appliquent pas à ces sections, dès lors que vous les distribuez en tant que travaux séparés. Mais quand vous distribuez les mêmes sections en tant que composants d'un ensemble constituant un travail basé sur la Bibliothèque, la distribution de l'ensemble doit se faire suivant les termes de cette Licence, dont les autorisations accordées à d'autres obtenteurs de licences s'étendent à la totalité de l'ensemble et donc pour chacun des composants indépendamment de qui les a écrits.

Aussi, ce n'est pas l'intention de cette section de clamer des droits ou de contester vos droits sur des travaux écrits entièrement par vous ; l'intention est plutôt d'exercer le droit de contrôler la distribution des travaux dérivés ou collectifs basés sur la Bibliothèque.

De plus, la simple agrégation avec la Bibliothèque (ou avec un travail basé sur la Bibliothèque) d'un autre travail non basé sur la Bibliothèque sur un même volume de stockage ou un support de distribution n'amène pas cet autre travail dans le champ d'application de cette Licence.

**3.** Vous pouvez choisir d'appliquer les termes de la Licence Générale Publique GNU ordinaire au lieu de ceux de cette Licence à une copie donnée de cette Bibliothèque. Pour le faire, vous devez modifier les notices qui se réfèrent à cette Licence, de sorte qu'ils se réfèrent plutôt à la Licence Générale Publique GNU version 2, au lieu de cette Licence. (Si une version officielle plus récente que la version 2 de la Licence Générale Publique GNU ordinaire a été publiée, alors vous pouvez spécifier plutôt cette version si vous le souhaitez.) N'effectuez aucun autre changement à ces notices.

Dès que ce changement a été fait dans une copie donnée, il est irréversible pour cette copie et donc la Licence Générale Publique GNU ordinaire s'appliquera à toutes les copies suivantes et à tous travaux dérivés effectués à partir de cette copie. Cette option est utile quand vous souhaitez copier une partie du code de la Bibliothèque en un programme qui n'est pas une bibliothèque.

**4.** Vous pouvez copier et distribuer la Bibliothèque (ou une portion ou un dérivé de celle-ci, suivant les termes de la Section 2) sous forme de code objet ou exécutable suivant les termes des Sections 1 et 2 ci-dessus, pourvu que vous l'accompagniez avec le code source correspondant sous forme lisible par une machine, qui doit être distribué suivant les termes des Sections 1 et 2 ci-dessus sur un support utilisé habituellement pour l'échange de logiciels.

Si la distribution du code objet se fait en offrant l'accès à la copie depuis un emplacement désigné, alors une offre d'accès équivalente pour copier le code source depuis le même emplacement satisfait à l'obligation de distribuer le code source, même si des parties tierces ne sont pas obligées de copier simultanément le code source en même temps que le code objet.

**5.** Un programme qui ne contient aucun dérivé d'une quelconque portion de la Bibliothèque, mais est conçu pour travailler avec la Bibliothèque en étant compilé ou lié avec cette Bibliothèque, est appelé un « travail utilisant la Bibliothèque ». Un tel travail, pris isolément, n'est pas un travail dérivé de la Bibliothèque et tombe par conséquent hors du champ d'application de cette Licence.

Cependant, la liaison avec la Bibliothèque d'un « travail utilisant la Bibliothèque » crée un exécutable qui est un « dérivé de la Bibliothèque » (car il contient des portions de la Bibliothèque), plutôt qu'un « travail utilisant la Bibliothèque ». L'exécutable est par conséquent couvert par cette Licence. La Section 6 établit les termes de distribution de tels executables.

Quand un « travail utilisant la Bibliothèque » utilise des éléments d'un fichier d'entête faisant partie de la Bibliothèque, le code objet de ce travail peut être un travail « dérivé de la Bibliothèque » même si son code source ne l'est pas. Cette définition prendra son sens tout particulièrement si le travail peut être lié sans la Bibliothèque ou si le travail est lui-même une bibliothèque. Les délimitations de ce cas ne sont pas définies de façon précise par la loi.

Si un tel fichier objet utilise uniquement des paramètres numériques, des schémas et accesseurs de structures de données et de petites macros et petites fonctions en ligne (dix lignes de source ou moins en longueur), alors

l'utilisation du fichier objet est non restreinte, indépendamment du fait que cela constitue légalement un travail « dérivé » (Les règles de la Section 6 s'appliqueront tout de même aux executables contenant ce code objet plus des portions de la Bibliothèque).

Autrement, si le travail est un « dérivé de la Bibliothèque, » vous pouvez distribuer le code objet pour le travail suivant les termes de la Section 6. Les règles de la section 6 s'appliquent alors à tout exécutable contenant ce travail, que ce dernier soit ou ne soit pas lié directement avec la Bibliothèque elle-même.

**6.** Par exception aux Sections ci-dessus, vous pouvez aussi combiner ou lier un « travail utilisant la Bibliothèque » avec la Bibliothèque pour produire un travail contenant des portions de la Bibliothèque et distribuer ce travail suivant les termes de votre choix, pourvu que ces termes permettent la modification du travail pour les besoins propres du client et l'ingénierie inverse permettant le débogage de telles modifications.

Vous devez donner une notice explicite et évidente avec chaque copie du travail montrant que la Bibliothèque est utilisée dans celui-ci et que la Bibliothèque et son utilisation sont couvertes par cette Licence. Vous devez fournir une copie de cette Licence. Si le travail lors de son exécution affiche des notices de droits et propriétés intellectuelles, vous devez inclure la notice pour la Bibliothèque parmi celles-ci, ainsi qu'une référence adressée à l'utilisateur vers une copie de cette Licence. Vous devez aussi effectuer l'une des tâches suivantes :

**a)** Accompagner le travail avec le code source complet correspondant lisible par une machine pour la Bibliothèque incluant tout changement quelconque qui ont été effectués dans le travail (qui doit être distribué suivant les Sections 1 et 2 ci-dessus) ; et, si le travail est un exécutable lié avec la Bibliothèque, fournir la totalité du « travail utilisant la Bibliothèque » lisible par une machine, sous forme de code objet ou source, de sorte que l'utilisateur puisse modifier la Bibliothèque et la relier pour produire un exécutable modifié contenant la Bibliothèque modifiée. (Il est admis que l'utilisateur qui change le contenu de fichiers de définition dans la Bibliothèque ne sera pas nécessairement capable de recompiler l'application pour utiliser les définitions modifiées.)

**b)** Utiliser un mécanisme approprié de bibliothèque partagée pour lier avec la Bibliothèque. Un mécanisme approprié est celui qui (1) utilise à l'exécution une copie de la Bibliothèque déjà présente sur le système de l'ordinateur de l'utilisateur, plutôt que de copier les fonctions de bibliothèque dans l'exécutable et (2) fonctionnera correctement avec une version modifiée de la Bibliothèque, si l'utilisateur en installe une, tant que la

version modifiée est compatible au niveau de l'interface avec la version avec laquelle le travail a été réalisé.

**c)** Accompagner le travail d'une offre écrite, valide pour au moins trois ans, de donner au même utilisateur les éléments spécifiés dans la Sous-section 6a, ci-dessus, contre un paiement n'excédant pas le coût requis pour effectuer cette distribution.

**d)** Si la distribution du travail est faite en offrant l'accès à une copie depuis un emplacement désigné, offrir un accès équivalent depuis le même emplacement pour copier les éléments spécifiés ci-dessus.

**e)** Vérifier que l'utilisateur a déjà reçu une copie de ces éléments ou que vous en avez déjà envoyé une copie à cet utilisateur.

Pour un exécutable, la forme requise du « travail utilisant la Bibliothèque » doit inclure toutes les données et programmes utilitaires nécessaires permettant de reproduire l'exécutable à partir de ceux-ci. Cependant, par exception, les matériels à distribuer n'ont pas besoin d'inclure tout ce qui est normalement distribué (sous forme source ou binaire) avec les composants majeurs (compilateur, noyau et autres composants similaires) du système d'exploitation sur lequel l'exécutable fonctionne, à moins que ce composant lui-même accompagne l'exécutable.

Il peut arriver que ces conditions nécessaires contredisent les restrictions de licence d'autres bibliothèques propriétaires qui n'accompagnent pas normalement le système d'exploitation. Une telle contradiction signifie que vous ne pouvez pas les utiliser en même temps que la Bibliothèque dans un exécutable que vous distribuez.

**7.** Vous pouvez placer les facilités de bibliothèque qui sont un travail basé sur la Bibliothèque côte à côte dans une unique bibliothèque avec d'autres facilités de bibliothèque non couvertes par cette Licence et distribuer une telle bibliothèque combinée, pourvu que la distribution séparée du travail basé sur la Bibliothèque et des autres facilités de bibliothèque soient autrement permises et pourvu que vous effectuiez chacune des deux tâches suivantes :

**a)** Accompagner la bibliothèque combinée avec une copie du même travail basé sur la Bibliothèque, non combinée avec d'autres facilités de la Bibliothèque. Cela doit être distribué suivant les termes des Sections ci-dessus.

**b)** Donner une notice évidente avec la bibliothèque combinée du fait qu'une partie de celle-ci est un travail basé sur la Bibliothèque et expliquant où trouver la forme non combinée accompagnante du même travail.

**8.** Vous ne pouvez pas copier, modifier, accorder des sous-licences, lier ou distribuer la Bibliothèque

autrement que d'une façon décrite expressément par cette Licence. Autrement, toute tentative de copier, modifier, accorder des sous-licences, lier ou distribuer la Bibliothèque est invalide et mettra fin automatiquement à vos droits accordés sous cette Licence. Toutefois, toute autre tierce partie qui a reçu des copies ou des droits par vous, suivant les termes de cette Licence, ne verra pas sa licence résiliée, aussi longtemps que cette partie tierce continuera de s'y conformer pleinement.

**9.** Vous n'êtes pas obligé d'accepter cette Licence, puisque vous ne l'avez pas signée. Cependant, rien d'autre ne vous accorde l'autorisation de modifier ou distribuer la Bibliothèque ou ses travaux dérivés. Ces actions sont légalement prohibées si vous n'acceptez pas cette Licence. Par conséquent, en modifiant ou distribuant la Bibliothèque (ou tout travail basé sur la Bibliothèque), vous indiquez votre acceptation de cette Licence pour le faire, ainsi que tous ses termes et conditions pour la copie, la distribution ou la modification de la Bibliothèque ou des travaux basés sur elle.

**10.** Chaque fois que vous redistribuez la Bibliothèque (ou tout travail basé sur la Bibliothèque), le destinataire reçoit automatiquement une licence par l'émetteur d'origine de la licence, permettant de copier, distribuer, lier ou modifier la Bibliothèque en accord avec les présents termes et conditions. Vous ne pouvez pas imposer davantage de restrictions sur l'exercice par le concessionnaire de cette licence des droits accordés dans la présente licence. Vous êtes dégagé de la responsabilité de contrôler la conformité d'usage de cette Licence par des parties tierces.

**11.** Si, par suite d'une décision judiciaire ou d'une allégation d'infraction à un brevet ou pour toute autre raison (non limitée aux problèmes de brevets), des conditions vous sont imposées (que ce soit par une ordonnance de justice, une transaction amiable ou contractuelle ou toute autre raison) qui contredisent les conditions de cette Licence, elles ne vous dégagent pas des obligations de cette Licence. Si vous ne pouvez pas effectuer une distribution de façon à satisfaire simultanément vos obligations sous cette Licence et toute autre obligation pertinente, alors vous ne pouvez en aucun cas distribuer la Bibliothèque. Par exemple, si une licence de brevet ne permettait pas une redistribution de la Bibliothèque sans paiement de royalties par tous ceux qui en reçoivent des copies directement ou indirectement à travers vous, alors la seule façon pour vous de satisfaire à la fois les conditions imposées et cette Licence sera de vous abstenir complètement de toute distribution de la Bibliothèque.

Si toute portion de cette section est jugée invalide ou inapplicable de plein droit dans une quelconque circonstance particulière, tout le reste de cette section est supposé s'appliquer et la section dans son ensemble est supposée toujours être applicable dans toutes les autres circonstances.

Le but de cette section n'est pas de vous obliger à enfreindre un quelconque brevet ou d'autres prétentions à des droits de propriété ou de contester la validité de telles prétentions ; cette section a pour seul but de protéger l'intégrité du système de distribution des logiciels libres tel qu'il fonctionne au moyen de pratiques de licences publiques. De nombreuses personnes ont fait des contributions généreuses à la gamme très étendue de logiciels distribués via ce système, en comptant sur l'application rigoureuse et cohérente de ce système ; il appartient seulement à l'auteur ou au donateur de décider si il ou elle désire distribuer un logiciel via un autre système et le concessionnaire de licence ne peut pas imposer ce choix.

Cette section a pour but d'établir de façon très claire ce que l'on croit être une conséquence nécessaire du reste de cette Licence.

**12.** Si la distribution ou l'usage de la Bibliothèque est restreinte dans certains pays, que ce soit par des brevets ou des interfaces soumises au droit de propriété intellectuelle, le titulaire original de ce droit de propriété qui place la Bibliothèque sous la couverture de cette Licence peut ajouter une limitation géographique explicite de distribution excluant ces pays, afin que la distribution soit permise seulement dans ou parmi les pays non exclus. Dans un tel cas, cette Licence incorpore la limitation comme si elle était réputée écrite dans le corps de cette Licence.

**13.** La Free Software Foundation peut publier des versions révisées ou nouvelles de la Licence Générale Publique Limitée de temps en temps. De telles nouvelles versions resteront similaires à l'esprit de la présente version, mais peut différer dans son détail afin de traiter de nouveaux problèmes ou préoccupations.

Chaque version reçoit un numéro de version distinctif. Si la Bibliothèque spécifie un numéro de version de cette Licence qui s'applique à celle-ci et à « toute autre version future », vous avez l'option de suivre les termes et conditions de cette version ou de toute version ultérieure publiées par la Free Software Foundation. Si la Bibliothèque ne spécifie pas un numéro de version de licence, vous pouvez choisir n'importe quelle version publiée par la Free Software Foundation.

**14.** Si vous souhaitez incorporer des parties de la Bibliothèque dans tout autre programme libre dont les conditions de distribution sont incompatibles avec ces

termes, écrivez à l'auteur ou demandez son autorisation. Pour les logiciels dont les droits de propriété sont détenus par la Free Software Foundation, écrivez à la Free Software Foundation ; nous faisons parfois des exceptions pour celui-ci. Notre décision sera guidée par les deux finalités de préserver le statut libre de tous les dérivés de nos logiciels libres et de promouvoir le partage et la réutilisation des logiciels en général.

## ABSENCE DE GARANTIE

**15.** PUISQUE CETTE BIBLIOTHÈQUE FAIT L'OBJET D'UNE LICENCE QUI VOUS EST ACCORDÉE SANS FRAIS, IL N'Y A AUCUNE GARANTIE POUR LA BIBLIOTHÈQUE, DANS LES LIMITES AUTORISÉES PAR LA LOI APPLICABLE. À MOINS QUE CELA NE SOIT ÉTABLI DIFFÉREMMENT PAR ÉCRIT, LES TITULAIRES DE DROITS DE PROPRIÉTÉ OU LES AUTRES PARTIES FOURNISSENT LA BIBLIOTHÈQUE « EN L'ÉTAT » SANS GARANTIE D'AUCUNE SORTE, QU'ELLE SOIT EXPRIMÉE OU IMPLICITE, CECI INCLUANT, MAIS SANS LIMITATION, LES GARANTIES IMPLICITES DE MARCHANDABILITÉ ET D'ADÉQUATION À UN OBJECTIF PARTICULIER. VOUS ASSUMEZ SEUL LE RISQUE TOUT ENTIER CONCERNANT LA QUALITÉ ET LA PERFORMANCE DE LA BIBLIOTHÈQUE. DANS L'ÉVENTUALITÉ OÙ LA BIBLIOTHÈQUE S'AVÉRERAIT DÉFECTUEUSE, VOUS ASSUMEREZ VOUS-MÊME LE COÛT DE TOUTS LES SERVICES, RÉPARATIONS OU CORRECTIONS NÉCESSAIRES.

**16.** EN AUCUNE AUTRE CIRCONSTANCE QUE CELLES REQUISES PAR LA LOI APPLICABLE OU ACCORDÉES PAR ÉCRIT, UN TITULAIRE DE DROIT DE PROPRIÉTÉ, OU TOUT AUTRE PARTIE QUI PEUT MODIFIER OU REDISTRIBUER LA BIBLIOTHÈQUE COMME PERMIS CI-DESSUS, NE POURRA ÊTRE TENU POUR RESPONSABLE ENVERS VOUS POUR LES DOMMAGES, INCLUANT TOUT DOMMAGE GÉNÉRAL, SPÉCIAL, ACCIDENTEL OU INDIUIT SURVENU PAR SUITE DE L'UTILISATION OU DE L'INCAPACITÉ D'UTILISER LA BIBLIOTHÈQUE (CECI INCLUANT MAIS SANS LIMITATION LA PERTE DE DONNÉES OU L'INEXACTITUDE DES DONNÉES RETOURNÉES OU LES PERTES SUBIES PAR VOUS OU DES PARTIES TIERCES OU L'INCAPACITÉ DE LA BIBLIOTHÈQUE À FONCTIONNER AVEC TOUT AUTRE LOGICIEL), MÊME SI UN TEL TITULAIRE OU TOUTE AUTRE PARTIE A ÉTÉ AVISÉ DE LA POSSIBILITÉ DE TELS DOMMAGES.

## FIN DES TERMES ET CONDITIONS.

### Comment appliquer ces termes à Vos nouvelles bibliothèques

Si vous développez une nouvelle bibliothèque et voulez qu'elle soit le plus possible utilisable par le public, nous recommandons d'en faire un logiciel libre que chacun peut redistribuer et changer. Vous pouvez le faire en

permettant la redistribution suivant ces termes (ou éventuellement les termes de la Licence Générale Publique GNU ordinaire).

Pour appliquer ces termes, attachez les notices suivantes à la bibliothèque. Il est plus sûr de les attacher au début de chacun des fichiers sources afin de transporter de façon la plus effective possible l'exclusion de garantie ; et chaque fichier devrait comporter au moins la ligne de réservation de droit ("copyright") et une indication permettant de savoir où la notice complète peut être trouvée.

<une ligne donnant le nom de la bibliothèque et une idée de ce qu'elle fait.>

Copyright (C) <année> <nom de l'auteur> — Tous droits réservés.

Cette bibliothèque est un logiciel libre ; vous pouvez la redistribuer ou la modifier suivant les termes de la Licence Générale Publique Limitée GNU telle que publiée par la Free Software Foundation ; soit la version 2.1 de la License, soit (à votre gré) toute version ultérieure.

Cette bibliothèque est distribuée dans l'espoir qu'elle sera utile, mais SANS AUCUNE GARANTIE : sans même la garantie implicite de COMMERCIALISABILITÉ ou d'ADÉQUATION À UN OBJECTIF PARTICULIER.

Consultez la Licence Générale Publique Limitée pour plus de détails.

Vous devriez avoir reçu une copie de la Licence Générale Publique Limitée GNU avec cette bibliothèque ; si ce n'est pas le cas, écrivez à la :

Free Software Foundation, Inc., 51 Franklin Street, Fifth Floor, Boston, MA 02110-1301, USA.

Ajoutez également les informations permettant de vous contacter par courrier électronique ou papier :  
Pour toute demande d'information au sujet de la bibliothèque « Frob », vous pouvez contacter son auteur :

Li-Jean Kodeur-Untel <li-jean.kodeur-untel@domaine.exemple>, 1 place du Dessein Inconnu, 012345 Lhuile, République de Nulle Part. Téléphone : +800(555)0X0-0XX0 — Télécopie : +800(555)0X0-0XX1  
Site Internet : <http://www.domaine.exemple/frob>

Vous devriez également obtenir de votre employeur (si vous travaillez en tant que programmeur) ou de votre école un « renoncement aux droits de propriété » pour la Bibliothèque, si nécessaire. Voici un exemple où il vous suffit d'en modifier les noms, descriptions ou dates variables :

Yoyodyne S.A., déclare par la présente renoncer à tous droits et intérêts de propriété intellectuelle sur la bibliothèque « Frob » (une bibliothèque destinée à déplier les coudes) écrite par Li-Jean Kodeur-Untel.

Fait à Lhuile, le 1er avril 1001 : <signature de Ti Coun>  
Ti Coun, Président de Yoyodyne S.A.

=====  
**Avis de BSD**

Copyright (c) 1994-2004 The NetBSD Foundation, Inc.  
Tous droits réservés.

La redistribution et l'utilisation sous formes binaire et source, avec ou sans modification, sont permises sous réserve des conditions suivantes :

1. Les redistributions du code source doivent conserver l'avis de copyright ci-dessus, cette liste de conditions et la renonciation suivante.

2. Les redistributions sous forme binaire doivent reproduire l'avis de copyright ci-dessus, cette liste de conditions et la renonciation suivante dans la documentation et/ou tout autre matériel fourni lors de la distribution.

3. Tout matériel publicitaire mentionnant les caractéristiques ou l'utilisation de ce logiciel doit afficher l'attestation suivante :

Ce produit comprend un logiciel élaboré par The NetBSD Foundation, Inc. et ses contributeurs.

4. Ni le nom de The NetBSD Foundation ni les noms de ses contributeurs ne doivent être utilisés pour endosser ou promouvoir les produits dérivés de ce logiciel sans en avoir préalablement obtenu la permission écrite.

CE LOGICIEL EST FOURNI « TEL QUEL » PAR LES RÉGENTS ET CONTRIBUTEURS, ET TOUTES LES GARANTIES EXPRESSES OU IMPLICITES, Y COMPRIS SANS EN EXCLURE D'AUTRES, LES GARANTIES IMPLICITES DE VALEUR MARCHANDE ET D'ADAPTATION À UN USAGE PARTICULIER SONT DÉCLINÉES. LES RÉGENTS OU CONTRIBUTEURS NE SERONT AUCUNEMENT RESPONSABLES DES DOMMAGES DIRECTS, INDIRECTS, ACCESSOIRES, SPÉCIAUX, EXEMPLAIRES OU CONSÉCUTIFS (Y COMPRIS, SANS EN EXCLURE D'AUTRES, L'APPROVISIONNEMENT DE BIENS OU DE SERVICES DE REMPLACEMENT; LA PERTE D'UTILISATION, DE DONNÉES OU DE PROFITS; OU L'INTERRUPTION D'ACTIVITÉS COMMERCIALES) QUELLES QU'EN SOIENT LA CAUSE ET LA THÉORIE DE RESPONSABILITÉ, PAR CONTRAT, RESPONSABILITÉ ABSOLUE OU CIVILE (Y COMPRIS LA NÉGLIGENCE OU AUTRE) SURVENANT DE QUELQUE FAÇON QUI SOIT DE L'UTILISATION DE CE LOGICIEL, MÊME SI AVERTIS DE LA POSSIBILITÉ DE TELS DOMMAGES.

Les avis suivants sont requis pour respecter les conditions de licence du logiciel que nous avons mentionné dans ce document :

Ce produit comprend un logiciel élaboré par The NetBSD Foundation, Inc. et ses contributeurs.

Ce produit comprend un logiciel élaboré par l'Université de Californie, Berkeley et ses contributeurs.

Ce produit comprend un logiciel élaboré par John Polstra.

Ce produit comprend un logiciel élaboré pour le NetBSD Project. Consultez le site <http://www.NetBSD.org/> pour plus d'informations sur NetBSD.

Ce produit comprend un logiciel élaboré par Winning Strategies, Inc.

Ce produit comprend un logiciel élaboré par Michael Graff.

Ce produit comprend un logiciel élaboré par Christos Zoulas.

Ce produit comprend un logiciel élaboré par Jonathan Stone pour le NetBSD Project.

Ce produit comprend un logiciel élaboré par Christopher G. Demetriou pour le NetBSD Project.

Ce produit comprend un logiciel élaboré par Niels Provos.

Ce produit comprend un logiciel élaboré par ToolS GmbH.

Ce produit comprend un logiciel élaboré par l'Université de Californie, Lawrence Berkeley Laboratory.

Ce produit comprend un logiciel élaboré par le WIDE Project et ses contributeurs.

=====

### INDEPENDANT JPEG GROUP

Le module libjpeg.so est le travail du « Independent JPEG Group ». © copyright 1991-1998, Thomas G. Lane. Tous droits réservés.

=====

### LOGICIEL DÉVELOPPÉ PAR LE PROJET OPENSLL POUR UTILISATION DANS LA BOÎTE À OUTILS SSL

Copyright (c) 1998-2008 Le OpenSSL Project. Tous droits réservés.

La redistribution et l'utilisation sous formes binaire et source, avec ou sans modification, sont permises sous réserve des conditions suivantes :

1. Les redistributions du code source doivent conserver l'avis de copyright ci-dessus, cette liste de conditions et la renonciation suivante :
2. Les redistributions sous forme binaire doivent reproduire l'avis de copyright ci-dessus, cette liste de conditions et la renonciation suivante dans la documentation et/ou autre matériel fourni lors de la distribution.
3. Tout matériel publicitaire mentionnant les caractéristiques ou l'utilisation de ce logiciel doit afficher l'attestation suivante : « Ce produit comprend un logiciel réalisé par le OpenSSL Project pour utilisation dans le OpenSSL Toolkit. (<<http://www.openssl.org/>>) »

4. Les noms « OpenSSL Toolkit » et OpenSSL Project » ne doivent pas être utilisés pour endosser et promouvoir les produits dérivés de ce logiciel sans en avoir préalablement obtenu la permission écrite. Pour obtenir la permission écrite, veuillez communiquer avec [openssl-core@openssl.org](mailto:openssl-core@openssl.org).

5. Les produits dérivés de ce logiciel ne peuvent pas être appelés « OpenSSL » et le nom « OpenSSL » ne peut pas faire partie de leurs noms sans en avoir préalablement obtenu la permission écrite du OpenSSL Project.

6. Les redistributions sous toute forme quelconque doivent comprendre l'attestation suivante : « Ce produit comprend un logiciel réalisé par le OpenSSL Project pour être utilisé dans le OpenSSL Toolkit (<<http://www.openssl.org/>>) »

CE LOGICIEL EST FOURNI PAR le OpenSSL PROJECT « TEL QUEL » ET TOUTES LES GARANTIES EXPRESSES OU IMPLICITES, Y COMPRIS SANS EN EXCLURE D'AUTRES, LES GARANTIES IMPLICITES DE VALEUR MARCHANDE ET D'ADAPTATION À UN USAGE PARTICULIER SONT DÉCLINÉES. Le OpenSSL PROJECT OU SES COLLABORATEURS NE SERONT AUCUNEMENT RESPONSABLES DES DOMMAGES DIRECTS, INDIRECTS, ACCESSOIRES, SPÉCIAUX, EXEMPLAIRES OU CONSÉCUTIFS (Y COMPRIS, SANS EN EXCLURE D'AUTRES, L'APPROVISIONNEMENT DE BIENS OU DE SERVICES DE REMPLACEMENT; LA PERTE D'UTILISATION, DE DONNÉES OU DE PROFITS; OU L'INTERRUPTION D'ACTIVITÉS COMMERCIALES) QUELLES QU'EN SOIENT LA CAUSE ET LA THÉORIE DE RESPONSABILITÉ, PAR CONTRAT, RESPONSABILITÉ ABSOLUE OU CIVILE (Y COMPRIS LA NÉGLIGENCE OU AUTRE) SURVENANT DE QUELQUE FAÇON QUI SOIT DE L'UTILISATION DE CE LOGICIEL, MÊME SI AVERTIS DE LA POSSIBILITÉ DE TELS DOMMAGES.

-----

Ce produit comprend un logiciel cryptographique écrit par Eric Young ([ey@cryptsoft.com](mailto:ey@cryptsoft.com)). Ce produit comprend un logiciel écrit par Tim Hudson ([tjh@cryptsoft.com](mailto:tjh@cryptsoft.com)).

Licence originale SSLeay

-----

Copyright (C) 1995-1998 Eric Young ([ey@cryptsoft.com](mailto:ey@cryptsoft.com)). Tous droits réservés. Cet emballage est une implantation SSL écrite par Eric Young ([ey@cryptsoft.com](mailto:ey@cryptsoft.com)).

Cette implantation a été écrite de manière à se conformer à Netscapes SSL.

Cette bibliothèque peut être utilisée librement à des fins commerciales et non commerciales aussi longtemps que les conditions suivantes sont respectées. Les conditions suivantes s'appliquent à tous les codes qui se

trouvent dans cette distribution, soit le RC4, RSA, lhash, DES, etc., pas seulement le code SSL. La documentation SSL comprise avec cette distribution est couverte par les mêmes termes de copyright, sauf que le propriétaire est Tim Hudson (tjh@cryptsoft.com).

Le copyright continue d'appartenir à Eric Young, et par conséquent, tout avis de copyright qui se trouve dans le code ne doit pas être enlevé. Si cet emballage est utilisé dans un produit, Eric Young doit être identifié comme étant l'auteur des parties de la bibliothèque utilisées. Ceci peut être accompli sous forme de message textuel au moment du lancement du programme ou dans la documentation (en ligne ou textuelle) offerte avec l'emballage.

La redistribution et l'utilisation sous formes binaire et source, avec ou sans modification, sont permises sous réserve des conditions suivantes :

1. Les redistributions du code source doivent conserver l'avis de copyright, cette liste de conditions et la renonciation suivante :

2. Les redistributions sous forme binaire doivent reproduire l'avis de copyright ci-dessus, cette liste de conditions et la renonciation suivante dans la documentation et/ou autre matériel fourni avec la distribution.

3. Tout matériel publicitaire mentionnant les caractéristiques ou l'utilisation de ce logiciel doit afficher l'attestation suivante : « Ce produit comprend un logiciel cryptographique écrit par Eric Young (eay@cryptsoft.com) ». Le mot 'cryptographique' peut être exclu si les routines de la bibliothèque utilisées ne sont pas afférentes au logiciel cryptographique :-).

4. Si vous ajoutez un code spécifique à Windows (ou à un de ses dérivés) à partir du répertoire apps (code d'application), vous devez joindre une attestation : « Ce produit comprend un logiciel écrit par Tim Hudson (tjh@cryptsoft.com) ».

CE LOGICIEL EST FOURNI PAR ERIC YOUNG « TEL QUEL » ET TOUTES LES GARANTIES EXPRESSES OU IMPLICITES, Y COMPRIS SANS EN EXCLURE D'AUTRES, LES GARANTIES IMPLICITES DE VALEUR MARCHANDE ET D'ADAPTATION À UN USAGE PARTICULIER SONT DÉCLINÉES. L'AUTEUR OU SES COLLABORATEURS NE SERONT AUCUNEMENT RESPONSABLES DES DOMMAGES DIRECTS, INDIRECTS, ACCIDENTELS, SPÉCIAUX, EXEMPLAIRES OU CONSÉCUTIFS (Y COMPRIS SANS EN EXCLURE D'AUTRES, L'APPROVISIONNEMENT DE BIENS OU SERVICES DE REMPLACEMENT; LA PERTE D'UTILISATION, DE DONNÉES OU DE PROFITS; OU L'INTERRUPTION D'ACTIVITÉS COMMERCIALES) QUELLES QU'EN SOIENT LA CAUSE ET LA THÉORIE DE

RESPONSABILITÉ, PAR CONTRAT, RESPONSABILITÉ ABSOLUE OU CIVILE (Y COMPRIS LA NÉGLIGENCE OU AUTRE) SURVENANT DE QUELQUE FAÇON QUI SOIT DE L'UTILISATION DE CE LOGICIEL, MÊME SI AVERTIS DE LA POSSIBILITÉ DE TELS DOMMAGES.

Les termes de distribution et de la licence de toute version offerte par publication ou dérivée de ce code ne peuvent être modifiés, c.-à-d. que le code ne peut pas être simplement copié et placé sous une autre licence de distribution [y compris la Licence publique GNU].

=====

### LOGICIEL FREETYPE2

Ce logiciel est basé en partie sur le travail de la FreeType Team.

=====

### Avis relatif à la police Morisawa

La police Morisawa-Shingo R affichée à l'écran est développée par Morisawa Inc. uniquement.

=====

### Avis relatif à la police Tiresias

La police d'écran Tiresias RNIB est développée par RNIB.

=====

### Avis relatif à la norme MIT

EXPAT

Copyright (c) 1998, 1999, 2000 Thai Open Source Software Center Ltd et Clark Cooper  
Copyright (c) 2001, 2002, 2003, 2004, 2005, 2006 mainteneurs Expat.

JSONcpp Copyright (c) 2007-2010 Baptiste Lepilleur  
Mongoose Copyright (c) 2010 Sergey Lyubka  
cJSON Copyright (c) 2009 Dave Gamble

En vertu des présentes, une permission est accordée, gratuitement, à toute personne obtenant une copie de ce logiciel et de ses fichiers de documentation connexes (le « Logiciel ») pour se servir du Logiciel sans restriction, y compris, sans en exclure d'autres, les droits d'utiliser, copier, modifier, fusionner, publier, distribuer, octroyer une sous-licence et/ou vendre des copies du Logiciel ou permettre à des personnes auxquelles le logiciel est fourni de le faire, sous les conditions suivantes :

L'avis de droit d'auteur ci-dessus et cet avis de permission doivent être compris dans toutes les copies ou parties importantes du Logiciel.

CE LOGICIEL EST FOURNI « TEL QUEL », SANS GARANTIE DE TOUTE SORTE, EXPRESSE OU IMPLICITE, Y COMPRIS SANS EN EXCLURE D'AUTRES, LES GARANTIES DE VALEUR MARCHANDE, D'ADAPTATION À UN USAGE PARTICULIER ET D'ABSENCE DE CONTREFAÇON. LES AUTEURS OU LES



DÉTENTEURS DES DROITS D'AUTEUR NE SERONT EN AUCUN CAS RESPONSABLES DES REVENDICATIONS, DOMMAGES OU AUTRES RESPONSABILITÉS, EN VERTU D'UNE ACTION CONTRACTUELLE, D'UN DÉLIT CIVIL OU AUTRE, SURVENANT OU RELATIFS AU LOGICIEL OU À SON UTILISATION OU D'AUTRES OPÉRATIONS CONCERNANT LE LOGICIEL.

=====

**LOGICIEL CURL**

AVIS DE DROIT D'AUTEUR ET PERMISSION Copyright (c) 1996-2006, Daniel Stenberg, <daniel@haxx.se>. Tous droits réservés.

La permission d'utiliser, copier, modifier et distribuer ce logiciel à toutes fins avec ou sans frais est accordée par les présentes, à condition que l'avis de droit d'auteur et l'avis de permission ci-dessus apparaissent dans toutes les copies.

CE LOGICIEL EST FOURNI « TEL QUEL », SANS GARANTIE DE TOUTE SORTE, EXPRESSE OU IMPLICITE, Y COMPRIS SANS EN EXCLURE D'AUTRES, LES GARANTIES DE VALEUR MARCHANDE, D'ADAPTATION À UN USAGE PARTICULIER ET D'ABSENCE DE CONTREFAÇON AUX DROITS DE TIERS. LES AUTEURS OU LES DÉTENTEURS DES DROITS D'AUTEUR NE SERONT EN AUCUN CAS RESPONSABLES DES REVENDICATIONS, DOMMAGES OU AUTRES RESPONSABILITÉS, EN VERTU D'UNE ACTION CONTRACTUELLE, D'UN DÉLIT CIVIL OU AUTRE, SURVENANT OU RELATIFS AU LOGICIEL OU À SON UTILISATION OU D'AUTRES OPÉRATIONS CONCERNANT LE LOGICIEL.

À l'exception de ce qui se trouve dans cet avis, le nom d'un détenteur d'un droit d'auteur ne sera pas utilisé dans la publicité ou autre pour promouvoir la vente, l'utilisation ou les autres opérations de ce Logiciel sans l'autorisation écrite préalable du détenteur du droit d'auteur.

=====

**LIBPIXMAN**

libpixregion

Copyright 1987, 1998 The Open Group.

La permission d'utiliser, de copier, de modifier, de distribuer et de vendre ce logiciel et sa documentation à toute fin est accordée gratuitement par les présentes à condition que l'avis de droit d'auteur ci-dessus apparaisse dans toutes les copies et que l'avis de droit d'auteur et cet avis de permission apparaissent dans la documentation connexe. L'avis de droit d'auteur ci-dessus et cet avis de permission doivent être compris dans toutes les copies ou parties importantes du Logiciel.

CE LOGICIEL EST FOURNI « TEL QUEL », SANS GARANTIE DE TOUTE SORTE, EXPRESSE OU IMPLICITE, Y COMPRIS SANS EN EXCLURE D'AUTRES, LES GARANTIES DE VALEUR MARCHANDE, D'ADAPTATION À UN USAGE PARTICULIER ET D'ABSENCE DE CONTREFAÇON. L'OPEN GROUP NE SERA DANS AUCUN CAS RESPONSABLE DE TOUTE REVENDICATION, DE DOMMAGES OU D'AUTRES RESPONSABILITÉS EN ACTION D'UN CONTRAT, EN RESPONSABILITÉ CIVILE DÉLICTUELLE OU AUTRE, DÉCOULANT OU CONCERNANT LE LOGICIEL OU SON UTILISATION OU AUTRES OPÉRATIONS AVEC LE LOGICIEL.

À l'exception de ce qui se trouve dans cet avis, le nom du The Open Group ne sera pas utilisé dans de la publicité ou autre pour promouvoir la vente, l'utilisation ou les autres opérations de ce Logiciel sans l'autorisation écrite préalable du The Open Group.

Copyright 1987 de Digital Equipment Corporation, Maynard, Massachusetts. Tous droits réservés.

La permission d'utiliser, de copier, de modifier et de distribuer ce logiciel et sa documentation à toute fin est accordée gratuitement par les présentes à condition que l'avis de droit d'auteur apparaisse dans toutes les copies et que l'avis de droit d'auteur et cet avis de permission apparaissent dans la documentation connexe et que le nom de Digital ne soit pas utilisé dans des annonces ou de la publicité relatives à la distribution du logiciel sans une permission préalable écrite expresse.

DIGITAL RENONCE À TOUTES LES GARANTIES RELATIVES À CE LOGICIEL, Y COMPRIS LES GARANTIES IMPLICITES DE VALEUR MARCHANDE ET D'ADAPTATION, ET DIGITAL NE SERA DANS AUCUN CAS RESPONSABLE DES DOMMAGES SPÉCIAUX, INDIRECTS OU CONSÉCUTIFS RÉSULTANT DE LA PERTE D'UTILISATION, DE DONNÉES OU DE PROFITS, EN VERTU D'UNE ACTION D'UN CONTRAT, DE NÉGLIGENCE OU D'AUTRES ACTES DÉLICTUEUX DÉCOULANT OU RÉSULTANT DE L'UTILISATION OU DE LA PERFORMANCE DE CE LOGICIEL.

-----

libic

Copyright © 2001 Keith Packard.

La permission d'utiliser, de copier, de modifier, de distribuer et de vendre ce logiciel et sa documentation à toute fin est accordée gratuitement par les présentes à condition que l'avis de droit d'auteur ci-dessus apparaisse dans toutes les copies et que l'avis de droit d'auteur et cet avis de permission apparaissent dans la documentation connexe, et que le nom de Keith Packard ne soit pas utilisé dans des annonces ou de la publicité relatives à la distribution du logiciel sans une permission préalable écrite expresse. Keith Packard n'effectue

aucune représentation quant à la pertinence de ce logiciel pour tout usage quelconque. Il est fourni « tel quel » sans garantie expresse ou implicite.

KEITH PACKARD RENONCE À TOUTES LES GARANTIES RELATIVES À CE LOGICIEL, Y COMPRIS LES GARANTIES IMPLICITES DE VALEUR MARCHANDE ET D'ADAPTATION, ET KEITH PACKARD NE SERA EN AUCUN CAS RESPONSABLE DES DOMMAGES SPÉCIAUX, INDIRECTS OU CONSÉCUTIFS OU DE TOUT AUTRE DOMMAGE DE QUELQUE NATURE QUE CE SOIT RÉSULTANT DE LA PERTE D'UTILISATION, DE DONNÉES OU DE PROFITS, EN VERTU D'UNE ACTION D'UN CONTRAT, DE NÉGLIGENCE OU D'AUTRES ACTES DÉLICITUEUX DÉCOULANT OU RÉSULTANT DE L'UTILISATION OU DE LA PERFORMANCE DE CE LOGICIEL.

slim

slim est protégé par des droits d'auteur © 2003 Richard Henderson

La permission d'utiliser, de copier, de modifier, de distribuer et de vendre ce logiciel et sa documentation à toute fin est accordée gratuitement par les présentes à condition que l'avis de droit d'auteur ci-dessus apparaisse dans toutes les copies et que l'avis de droit d'auteur et cet avis de permission apparaissent dans la documentation connexe, et que le nom de Richard Henderson ne soit pas utilisé dans des annonces ou de la publicité relatives à la distribution du logiciel sans une permission préalable écrite expresse. Richard Henderson n'effectue aucune représentation quant à la pertinence de ce logiciel pour tout usage quelconque. Il est fourni « tel quel » sans garantie expresse ou implicite.

RICHARD HENDERSON RENONCE À TOUTES LES GARANTIES RELATIVES À CE LOGICIEL, Y COMPRIS LES GARANTIES IMPLICITES DE VALEUR MARCHANDE ET D'ADAPTATION, ET RICHARD HENDERSON NE SERA EN AUCUN CAS RESPONSABLE DES DOMMAGES SPÉCIAUX, INDIRECTS OU CONSÉCUTIFS OU DE TOUT AUTRE DOMMAGE DE QUELQUE NATURE QUE CE SOIT RÉSULTANT DE LA PERTE D'UTILISATION, DE DONNÉES OU DE PROFITS, EN VERTU D'UNE ACTION D'UN CONTRAT, DE NÉGLIGENCE OU D'AUTRES ACTES DÉLICITUEUX DÉCOULANT OU RÉSULTANT DE L'UTILISATION OU DE LA PERFORMANCE DE CE LOGICIEL.

## LOGICIEL GIFLIB

La distribution de GIFLIB est protégée par des droits d'auteur (c) 1997 Eric S. Raymond

En vertu des présentes, une permission est accordée, gratuitement, à toute personne obtenant une copie de ce logiciel et de ses fichiers de documentation connexes (le « Logiciel ») pour se servir du Logiciel sans restriction, y compris, sans en exclure d'autres, les droits d'utiliser, de copier, de modifier, de fusionner, de publier, de distribuer, d'octroyer une sous-licence et/ou de vendre des copies du Logiciel ou de permettre à des personnes auxquelles le Logiciel est fourni de le faire, sous les conditions suivantes :

L'avis de droit d'auteur ci-dessus et cet avis de permission doivent être compris dans toutes les copies ou parties importantes du Logiciel.

LE LOGICIEL EST FOURNI « TEL QUEL », SANS GARANTIE DE TOUTE SORTE, EXPRESSE OU IMPLICITE, Y COMPRIS SANS EN EXCLURE D'AUTRES, LES GARANTIES DE VALEUR MARCHANDE, D'ADAPTATION À UN USAGE PARTICULIER ET D'ABSENCE DE CONTREFAÇON. LES AUTEURS OU LES DÉTENTEURS DES DROITS D'AUTEUR NE SERONT EN AUCUN CAS RESPONSABLES DES REVENDICATIONS, DOMMAGES OU AUTRES RESPONSABILITÉS, EN VERTU D'UNE ACTION CONTRACTUELLE, D'UN DÉLIT CIVIL OU AUTRE, SURVENANT OU RELATIFS AU LOGICIEL OU À SON UTILISATION OU D'AUTRES OPÉRATIONS CONCERNANT LE LOGICIEL.

## WPA Supplissant et hostapd

Copyright (c) 2002-2011, Jouni Malinen <j@w1.fi> et contributeurs  
Tous droits réservés.

La redistribution et l'utilisation sous formes binaire et source, avec ou sans modification, sont permises sous réserve des conditions suivantes :

1. Les redistributions du code source doivent conserver l'avis de copyright ci-dessus, cette liste de conditions et la renonciation suivante.
2. Les redistributions sous forme binaire doivent reproduire l'avis de copyright ci-dessus, cette liste de conditions et la renonciation suivante dans la documentation et/ou tout autre matériel fourni lors de la distribution.
3. Ni le ou les nom(s) du ou des détenteur(s) de droits d'auteur indiqué(s) ci-dessus ni les noms des contributeurs ne doivent être utilisés pour endosser ou promouvoir les produits dérivés de ce logiciel sans en avoir préalablement obtenu la permission écrite.

CE LOGICIEL EST FOURNI « TEL QUEL » PAR LES DÉTENTEURS DE DROITS D'AUTEUR ET CONTRIBUTEURS, ET TOUTES LES GARANTIES EXPRESSES OU IMPLICITES, Y COMPRIS SANS EN EXCLURE D'AUTRES, LES GARANTIES IMPLICITES DE VALEUR MARCHANDE ET D'ADAPTATION À UN USAGE PARTICULIER SONT DÉCLINÉES. LE DÉTENTEUR DES DROITS D'AUTEUR OU SES COLLABORATEURS NE SERONT AUCUNEMENT RESPONSABLES DES DOMMAGES DIRECTS, INDIRECTS, ACCESSOIRES, SPÉCIAUX, EXEMPLAIRES OU CONSÉCUTIFS (Y COMPRIS, SANS EN EXCLURE D'AUTRES, L'APPROVISIONNEMENT DE BIENS OU DE SERVICES DE REMPLACEMENT; LA PERTE D'UTILISATION, DE DONNÉES OU DE PROFITS; OU L'INTERRUPTION D'ACTIVITÉS COMMERCIALES) QUELLES QU'EN SOIENT LA CAUSE ET LA THÉORIE DE RESPONSABILITÉ, PAR CONTRAT, RESPONSABILITÉ ABSOLUE OU CIVILE (Y COMPRIS LA NÉGLIGENCE OU AUTRE) SURVENANT DE QUELQUE FAÇON QUI SOIT DE L'UTILISATION DE CE LOGICIEL, MÊME SI AVERTIS DE LA POSSIBILITÉ DE TELS DOMMAGES.

=====

#### LOGICIEL DU PILOTE 802.11 WLAN

Copyright (c) 2010, Atheros Communications Inc.

La permission d'utiliser, de copier, de modifier et/ou de distribuer ce logiciel à toutes fins avec ou sans frais est accordée par les présentes, à condition que l'avis de droit d'auteur ci-dessus et cet avis de permission apparaissent dans toutes les copies.

LE LOGICIEL EST FOURNI « TEL QUEL » ET L'AUTEUR DÉCLINE TOUTES LES GARANTIES RELATIVES À CE LOGICIEL, Y COMPRIS TOUTES LES GARANTIES IMPLICITES DE VALEUR MARCHANDE ET D'ADAPTATION. L'AUTEUR NE SERA EN AUCUN CAS RESPONSABLE DES DOMMAGES SPÉCIAUX, DIRECTS, INDIRECTS OU CONSÉCUTIFS, OU DE TOUT DOMMAGE DE QUELQUE NATURE QUE CE SOIT RÉSULTANT DE LA PERTE D'UTILISATION, DE DONNÉES OU DE PROFITS, EN VERTU D'UNE ACTION D'UN CONTRAT, DE NÉGLIGENCE OU D'AUTRES ACTES DÉLICITUEUX DÉCOULANT OU RÉSULTANT DE L'UTILISATION OU DE LA PERFORMANCE DE CE LOGICIEL.

=====

#### PILOTE WLAN CCMP SW CRYPTAGE/DÉCRYPTAGE

Chiffrement AP hôte : implémentation de chiffrement CCMP basé sur l'hôte pour le pilote AP hôte

Copyright (c) 2003-2004, Jouni Malinen  
<jkmaline@cc.hut.fi>

Ce programme est un logiciel libre; vous pouvez le redistribuer et/ou le modifier au titre de la Licence Publique Générale GNU version 2, telle que publiée par

la Free Software Foundation. Lisez README et COPYING pour obtenir plus de détails.

Subsidiairement, ce logiciel peut être distribué au titre de la licence BSD.

=====

#### FICHIERS ANNEXES DU PILOTE USB WLAN

Copyright (c) 2008-2010, Atheros Communications Inc.

Ce programme est sous la licence permissive ISC compatible avec GPL. Vous pouvez le redistribuer et/ou le modifier selon les termes de la version 2 de la Licence publique générale (GNU) tel qu'il a été publié par la Fondation « Free Software Foundation ».

La permission d'utiliser, de copier, de modifier et/ou de distribuer ce logiciel à toutes fins avec ou sans frais est accordée par les présentes, à condition que l'avis de droit d'auteur ci-dessus et cet avis de permission apparaissent dans toutes les copies.

LE LOGICIEL EST FOURNI « TEL QUEL » ET L'AUTEUR DÉCLINE TOUTES LES GARANTIES RELATIVES À CE LOGICIEL, Y COMPRIS TOUTES LES GARANTIES IMPLICITES DE VALEUR MARCHANDE ET D'ADAPTATION. L'AUTEUR NE SERA EN AUCUN CAS RESPONSABLE DES DOMMAGES SPÉCIAUX, DIRECTS, INDIRECTS OU CONSÉCUTIFS, OU DE TOUT DOMMAGE DE QUELQUE NATURE QUE CE SOIT RÉSULTANT DE LA PERTE D'UTILISATION, DE DONNÉES OU DE PROFITS, EN VERTU D'UNE ACTION D'UN CONTRAT, DE NÉGLIGENCE OU D'AUTRES ACTES DÉLICITUEUX DÉCOULANT OU RÉSULTANT DE L'UTILISATION OU DE LA PERFORMANCE DE CE LOGICIEL.

=====

#### LOGICIEL LIBXML2

Sauf indication contraire dans le code source (ex. : les fichiers hash.c, list.c et les fichiers de trio, qui sont couverts par une licence similaire mais avec des avis de droit d'auteur différents), tous les fichiers sont :

Copyright (C) 1998-2003 Daniel Veillard. Tous droits réservés.

En vertu des présentes, une permission est accordée, gratuitement, à toute personne obtenant une copie de ce logiciel et de ses fichiers de documentation connexes (le « Logiciel ») pour se servir du Logiciel sans restriction, y compris, sans en exclure d'autres, les droits d'utiliser, de copier, de modifier, de fusionner, de publier, de distribuer, d'octroyer une sous-licence et/ou de vendre des copies du Logiciel ou de permettre à des personnes auxquelles le Logiciel est fourni de le faire, sous les conditions suivantes :

FR

L'avis de droit d'auteur ci-dessus et cet avis de permission doivent être compris dans toutes les copies ou parties importantes du Logiciel.

LE LOGICIEL EST FOURNI « TEL QUEL », SANS GARANTIE DE TOUTE SORTIE, EXPRESSE OU IMPLICITE, Y COMPRIS MAIS SANS EN EXCLURE D'AUTRES, LES GARANTIES DE VALEUR MARCHANDE, D'ADAPTATION À UN USAGE PARTICULIER ET D'ABSENCE DE CONTREFAÇON. DANIEL VEILLARD NE SERA EN AUCUN CAS RESPONSABLE DES REVENDICATIONS, DOMMAGES OU AUTRES RESPONSABILITÉS, EN VERTU D'UNE ACTION CONTRACTUELLE, D'UN DÉLIT CIVIL OU AUTRE, SURVENANT OU RELATIFS AU LOGICIEL OU À SON UTILISATION OU D'AUTRES OPÉRATIONS CONCERNANT LE LOGICIEL.

À l'exception de ce qui se trouve dans cet avis, le nom de Daniel Veillard ne sera pas utilisé dans de la publicité ou autre pour promouvoir la vente, l'utilisation ou les autres opérations de ce Logiciel sans son autorisation écrite préalable.

=====

### LOGICIEL LIBMNG

Copyright (c) 2000-2007 Gerard Juyn  
[Vous pouvez ajouter des avis supplémentaires après cette phrase si vous modifiez cette source]  
Pour les besoins de ce droit d'auteur et de cette licence, « Auteurs collaborateurs » désigne l'ensemble des individus suivants :  
Gerard Juyn- gjuyn :at: users.sourceforge.net  
Glenn Randers-Pehrson-glennrp :at: users.sourceforge.net  
Raphael Assenat- raph :at: raphnet.net  
John Stiles

La bibliothèque MNG est fournie « TELLE QUELLE ». Les Auteurs collaborateurs déclinent toutes les garanties, expresses ou implicites, y compris sans en exclure d'autres, les garanties de valeur marchande et d'adaptation à un usage particulier. Les Auteurs collaborateurs n'assument aucune responsabilité pour les dommages directs, indirects, accessoires, spéciaux, exemplaires ou consécutifs résultant de l'utilisation de la bibliothèque MNG, même si avertis de la possibilité de tels dommages.

La permission d'utiliser, de copier, de modifier et de distribuer ce code source ou des parties de ce dernier à toute fin est accordée gratuitement par les présentes, sous les conditions suivantes :

1. L'origine de ce code source ne doit pas être faussement présentée; vous ne devez pas revendiquer que vous avez écrit le logiciel original.

2. Les versions modifiées doivent être clairement indiquées comme telles et ne doivent pas être représentées faussement comme étant le code source original.

3. Cet avis de droit d'auteur ne doit pas être retiré ou modifié de toute distribution de la source ou la source modifiée.

Les Auteurs collaborateurs permettent expressément, sans frais, et encouragent l'utilisation de ce code source comme composant pour la prise en charge des formats de fichier MNG et JNG des produits commerciaux. Si vous utilisez ce code source dans un produit, une reconnaissance serait grandement appréciée.

-----

Des parties de ce logiciel ont été adaptées à partir de l'emballage libpng.

Bien que cette bibliothèque prenne en charge toutes les fonctions de la spécification PNG (puisque MNG descend de celle-ci), elle ne requiert pas l'emballage libpng.

Elle requiert la bibliothèque zlib et la bibliothèque IJG jpeg en option, et/ou la bibliothèque « little-cms » par Marti Maria (selon l'inclusion de la prise en charge pour JNG et Full-Color-Management, respectivement).

La fonction principale de cette bibliothèque est de lire et afficher les animations MNG. Elle n'est pas conçue pour servir de composant d'édition d'image complet! Elle offre toutefois une fonctionnalité de création et d'édition au niveau de partie. (Des modifications futures pourraient inclure une prise en charge supplémentaire pour la création ou l'édition.)

=====

### LOGICIEL FONTCONFIG

fontconfig/fontconfig/fontconfig.h

Copyright (c) 2001 Keith Packard

La permission d'utiliser, de copier, de modifier, de distribuer et de vendre ce logiciel et sa documentation à toute fin est accordée gratuitement par les présentes à condition que l'avis de droit d'auteur ci-dessus apparaisse dans toutes les copies et que l'avis de droit d'auteur et cet avis de permission apparaissent dans la documentation connexe, et que le nom de Keith Packard ne soit pas utilisé dans des annonces ou de la publicité relatives à la distribution du logiciel sans une permission préalable écrite expresse. Keith Packard n'effectue aucune représentation quant à la pertinence de ce logiciel pour tout usage quelconque. Il est fourni « tel quel » sans garantie expresse ou implicite.

L'AUTEUR OU LES AUTEURS RENONCENT À TOUTES LES GARANTIES RELATIVES À CE LOGICIEL, Y COMPRIS LES GARANTIES IMPLICITES DE VALEUR

MARCHANDE ET D'ADAPTATION, ET L'AUTEUR OU LES AUTEURS NE SERONT EN AUCUN CAS RESPONSABLES DES DOMMAGES SPÉCIAUX, INDIRECTS OU CONSÉCUTIFS OU DE TOUT AUTRE DOMMAGE DE QUELQUE NATURE QUE CE SOIT RÉSULTANT DE LA PERTE D'UTILISATION, DE DONNÉES OU DE PROFITS, EN VERTU D'UNE ACTION D'UN CONTRAT, DE NÉGLIGENCE OU D'AUTRES ACTES DÉLICIEUX DÉCOULANT OU RÉSULTANT DE L'UTILISATION OU DE LA PERFORMANCE DE CE LOGICIEL.

=====

**LOGICIEL C-ARES**

Copyright 1998 par la Massachusetts Institute of Technology.

Copyright (C) 2007-2008 par Daniel Stenberg

La permission d'utiliser, de copier, de modifier et de distribuer ce logiciel et sa documentation à toute fin est accordée gratuitement par les présentes à condition que l'avis de droit d'auteur ci-dessus apparaisse dans toutes les copies et que l'avis de droit d'auteur et cet avis de permission apparaissent dans la documentation connexe, et que le nom de M.I.T. ne soit pas utilisé dans des annonces ou de la publicité relatives à la distribution du logiciel sans une permission préalable écrite expresse.

M.I.T. n'effectue aucune représentation quant à la pertinence de ce logiciel pour tout usage quelconque. Il est fourni « tel quel » sans garantie expresse ou implicite.

=====

**Avis relatif à PlayReady™**

Ce produit est protégé par des droits de propriété intellectuelle de Microsoft Corporation. L'utilisation ou la distribution de cette technologie en dehors de ce produit est interdite sans une licence de Microsoft ou une société affiliée autorisée.

Les propriétaires de contenu utilisent la technologie d'accès au contenu Microsoft PlayReady™ pour protéger leur propriété intellectuelle, dont les droits d'auteur. Cet appareil utilise la technologie PlayReady pour accéder au contenu protégé par PlayReady et/ou protégé par WMDRM. Si l'appareil ne réalise pas correctement l'application des restrictions sur l'utilisation de contenu, les propriétaires de contenu pourront demander à Microsoft de révoquer la capacité de l'appareil à consommer un contenu protégé par PlayReady. Cette révocation ne devrait pas affecter un contenu non-protégé ou un contenu protégé par d'autres technologies d'accès au contenu. Les propriétaires de contenus peuvent vous demander de mettre à niveau PlayReady pour vous laisser accéder à leur contenu. Si vous refusez une mise à niveau, vous ne pourrez pas

accéder au contenu pour lequel la mise à niveau est demandée.

**Avis relatif à Windows Media™**

Windows Media™ est une marque ou une marque déposée de Microsoft Corporation aux États-Unis et/ou dans d'autres pays.

=====

**Avis relatif à Smooth Streaming**

Ce produit est protégé par des droits de propriété intellectuelle de Microsoft. L'utilisation ou la distribution de cette technologie en dehors de ce produit est interdite sans une licence de Microsoft.

=====

**Avis relatif à la norme MPEG-4 Visual**

CE PRODUIT EST SOUS LICENCE MPEG-4 VISUAL PATENT PORTFOLIO LICENSE POUR TOUT USAGE PERSONNEL ET NON COMMERCIAL PAR UN CONSOMMATEUR POUR

- (i) L'ENCODAGE DE VIDÉO CONFORME À LA NORME MPEG-4 VISUAL (« VIDÉO MPEG-4 ») ET/OU
- (ii) LE DÉCODAGE DE VIDÉO MPEG-4 PRÉALABLEMENT ENCODÉE PAR UN CONSOMMATEUR ENGAGÉ DANS UNE ACTIVITÉ PERSONNELLE ET NON COMMERCIALE ET/OU OBTENUE D'UN FOURNISSEUR DE VIDÉOS DÉTENANT UNE LICENCE DE MPEG LA POUR OFFRIR DES VIDÉOS MPEG-4.

AUCUNE LICENCE EXPRESSE OU TACITE N'EST ACCORDÉE POUR TOUT AUTRE USAGE. DES INFORMATIONS SUPPLÉMENTAIRES, COMME CELLES RELATIVES AUX LICENCES ET USAGES PROMOTIONNELS, INTERNES ET COMMERCIAUX, PEUVENT ÊTRE OBTENUES AUPRÈS DE MPEG LA, LLC. VOIR [HTTP://WWW.MPEGLA.COM](http://WWW.MPEGLA.COM)

=====

**Avis relatif à la norme MPEG-4 AVC**

CE PRODUIT EST SOUS LICENCE AVC PATENT PORTFOLIO LICENSE POUR TOUT USAGE PERSONNEL ET NON COMMERCIAL PAR UN CONSOMMATEUR POUR

- (i) L'ENCODAGE DE VIDÉO CONFORME À LA NORME AVC (« VIDÉO AVC ») ET/OU
- (ii) LE DÉCODAGE DE VIDÉO AVC PRÉALABLEMENT ENCODÉE PAR UN CONSOMMATEUR ENGAGÉ DANS UNE ACTIVITÉ PERSONNELLE ET

NON COMMERCIALE ET/OU OBTENUE D'UN FOURNISSEUR DE VIDÉOS DÉTENANT UNE LICENCE POUR OFFRIR DES VIDÉOS AVC. AUCUNE LICENCE

EXPRESSE OU TACITE N'EST ACCORDÉE POUR TOUT  
AUTRE USAGE. DES INFORMATIONS  
SUPPLÉMENTAIRES PEUVENT ÊTRE OBTENUES  
AUPRÈS DE MPEG LA, L.L.C. VOIR  
HTTP://WWW.MPEGLA.COM

=====

**Avis relatif à la norme VC-1**

CE PRODUIT EST SOUS LICENCE VC-1 PATENT  
PORTFOLIO LICENSE POUR TOUT USAGE PERSONNEL  
ET NON COMMERCIAL PAR UN CONSOMMATEUR  
POUR

(i) L'ENCODAGE DE VIDÉO CONFORME À LA NORME  
VC-1 (« VIDÉO VC-1 »)

ET/OU

(ii) LE DÉCODAGE DE VIDÉO VC-1 PRÉALABLEMENT  
ENCODÉE PAR UN CONSOMMATEUR ENGAGÉ DANS  
UNE ACTIVITÉ PERSONNELLE ET NON COMMERCIALE  
ET/OU OBTENUE D'UN FOURNISSEUR DE VIDÉOS  
DÉTENANT UNE LICENCE POUR OFFRIR DES VIDÉOS  
VC-1.

AUCUNE LICENCE EXPRESSE OU TACITE N'EST  
ACCORDÉE POUR TOUT AUTRE USAGE. DES  
INFORMATIONS SUPPLÉMENTAIRES PEUVENT ÊTRE  
OBTENUES AUPRÈS DE MPEG LA, L.L.C. VOIR  
HTTP://WWW.MPEGLA.COM

=====

**Avis relatif à la norme MP3**

La technologie de codage audio MPEG à 3 couches est  
incorporée sous licence de Fraunhofer IIS et Thomson.

=====

**Navigateur Opera®**

Ce logiciel est fourni « tel quel ».

Opera et ses fournisseurs déclinent toutes les garanties  
relatives au logiciel, qu'elles soient expresses ou  
implicites, prévues par la loi ou d'une autre nature, y  
compris, sans en exclure d'autres, les garanties de  
fonctionnalité, d'adaptation à un usage particulier ou  
d'absence de contrefaçon.

**(a)** ils limitent l'utilisation du navigateur Opera dans le  
code objet incorporé sur ce produit à une utilisation  
personnelle uniquement;

**(b)** ils interdisent, dans les limites permises par la loi en  
vigueur, la duplication, l'ingénierie inverse, le  
désassemblage ou la décompilation d'une quelconque  
partie du navigateur Opera;

**(c)** ils déclinent ou limitent, dans les limites permises  
par la loi en vigueur, la responsabilité d'Opera pour tout  
dommage direct, indirect, consécutif et similaire, ainsi  
que les coûts et dépenses de toute sorte;

**(d)** ils déclinent ou limitent, dans les limites permises  
par la loi en vigueur, toutes les garanties reliées ou  
fournies par Opera et/ou le navigateur Opera, y compris,  
sans en exclure d'autres, les garanties de fonctionnalité,  
d'adaptation à un usage particulier ou d'absence de  
contrefaçon;

Navigateur Opera® par Opera Software ASA. Copyright  
1995-2012 Opera Software ASA. Tous droits réservés.

Le navigateur Opera® utilise le code des parties tierces  
suivantes :

- Ce produit comprend un logiciel élaboré par le  
OpenSSL Project pour l'utilisation dans le OpenSSL  
Toolkit.
- Ce produit comprend un logiciel cryptographique écrit  
par Eric Young.
- Eberhard Mattes.
- Doug Lea.
- David M. Gay.
- Des parties de ce logiciel sont protégées par des droits  
d'auteur © 1996-2004 The FreeType Project. Tous droits  
réservés.
- Le OpenSSL Toolkit est couvert par les licences  
OpenSSL :
- Les conversions de nombre à chaîne et de chaîne à  
nombre sont couvertes par la licence suivante :

David M. Gay est l'auteur de ce logiciel.

Copyright © 1991, 1996, 2000, 2001 par Lucent  
Technologies.

La permission d'utiliser, de copier, de modifier et de  
distribuer ce logiciel à toutes fins sans frais est  
accordée par les présentes, à condition que cet avis  
complet soit compris dans toutes les copies de tout  
logiciel constituant ou comprenant une copie ou  
une modification de ce logiciel, ainsi que dans  
toutes les copies de la documentation connexe pour  
un tel logiciel.

CE LOGICIEL EST FOURNI « TEL QUEL », SANS  
AUCUNE GARANTIE EXPRESSE OU IMPLICITE.  
PLUS PARTICULIÈREMENT, NI L'AUTEUR NI  
LUCENT N'EFFECTUE DE REPRÉSENTATION OU NE  
PROPOSE DE GARANTIE DE QUELQUE NATURE  
QUE CE SOIT EN LIEN AVEC LA VALEUR  
MARCHANDE DE CE LOGICIEL OU SON  
ADAPTATION À UN USAGE PARTICULIER.

=====

**dtoa et strtod**

Code de conversion binaire/décimale de David Gay (dtoa  
et strtod)

David M. Gay est l'auteur de ce logiciel.

Copyright (c) 1991, 2000, 2001 par Lucent Technologies.

La permission d'utiliser, de copier, de modifier et de distribuer ce logiciel à toutes fins sans frais est accordée par les présentes, à condition que cet avis complet soit compris dans toutes les copies de tout logiciel constituant ou comprenant une copie ou une modification de ce logiciel, ainsi que dans toutes les copies de la documentation connexe pour un tel logiciel.

CE LOGICIEL EST FOURNI « TEL QUEL », SANS AUCUNE GARANTIE EXPRESSE OU IMPLICITE. PLUS PARTICULIÈREMENT, NI L'AUTEUR NI LUCENT N'EFFECTUE DE REPRÉSENTATION OU NE PROPOSE DE GARANTIE DE QUELQUE NATURE QUE CE SOIT EN LIEN AVEC LA VALEUR MARCHANDE DE CE LOGICIEL OU SON ADAPTATION À UN USAGE PARTICULIER.

=====

### **Contrat de licence Gracenote (EULA)**

Cet appareil ou cette application contient un logiciel développé par Gracenote, société basée à Emeryville, Californie, États-Unis (ci-après, « Gracenote »). Ce logiciel Gracenote (ci-après, « le Logiciel Gracenote ») permet à cet appareil ou à cette application d'accéder à des serveurs en ligne ou à des bases de données en ligne (ci-après et collectivement, « les Serveurs Gracenote ») en vue d'identifier le contenu de certains supports musicaux ou/et de certains fichiers audio, de copier des informations relatives à des données audio (titre d'un album, nom d'un artiste ou d'un groupe, liste des pistes, etc. – ci-après, « les Données Gracenote ») et d'exécuter de nombreuses autres fonctions. Vous êtes autorisé à utiliser les Données Gracenote uniquement par exécution des fonctions grand public de cet appareil ou de cette application.

Vous convenez d'utiliser les Données Gracenote, le Logiciel Gracenote et les Serveurs Gracenote uniquement pour un usage personnel et non commercial. Vous convenez de ne pas céder, copier, transférer ou transmettre le Logiciel Gracenote ou aucune partie des Données Gracenote à une société tierce. VOUS CONVENEZ DE NE PAS UTILISER NI EXPLOITER LES DONNÉES GRACENOTE, LE LOGICIEL GRACENOTE OU LES SERVEURS GRACENOTE À DES FINS AUTRES QUE CELLES QUI SONT AUTORISÉES EXPLICITEMENT DANS LE PRÉSENT CONTRAT DE LICENCE.

Vous convenez que la licence non exclusive dont vous jouissez pour l'utilisation des Données Gracenote, du Logiciel Gracenote et des Serveurs Gracenote sera résiliée si vous ne respectez pas les conditions stipulées dans le présent Contrat de licence. Si votre licence est résiliée, vous convenez de mettre fin immédiatement à tout type d'utilisation des Données Gracenote, du

Logiciel Gracenote et des Serveurs Gracenote. Gracenote se réserve tous les droits vis-à-vis des Données Gracenote, du Logiciel Gracenote et des Serveurs Gracenote, y compris tous droits de propriété. Gracenote ne saurait en aucun cas être redevable d'un paiement en votre faveur pour des informations que vous auriez communiquées à Gracenote. Vous convenez que Gracenote pourra faire valoir contre vous ses droits tels que décrits dans le présent Contrat de licence, directement et en son nom propre.

Le Service Gracenote utilise un identifiant (unique et attribué en mode aléatoire) pour suivre les interrogations des utilisateurs de ce Service. Ce mécanisme est destiné à des mesures statistiques : il permet au Service Gracenote de déterminer le nombre d'interrogations effectué sans avoir à connaître quelque information que ce soit vous concernant. Pour plus de détails sur ce mécanisme de suivi, consultez la page Web qui présente la Charte de confidentialité du Service Gracenote.

Le Logiciel Gracenote et l'intégralité des Données Gracenote vous sont cédés sous licence « EN L'ÉTAT ». Gracenote n'apporte aucune déclaration ou garantie, explicite ou implicite, en ce qui concerne la précision des Données Gracenote disponibles à partir des Serveurs Gracenote. Gracenote se réserve le droit de supprimer certaines données des Serveurs Gracenote ou de changer des données de catégorie pour toute raison que Gracenote estimera nécessaire ou suffisante. Aucune garantie n'est apportée que le Logiciel Gracenote ou les Serveurs Gracenote seront exempts d'erreurs ou que le fonctionnement du Logiciel Gracenote ou des Serveurs Gracenote s'effectuera sans interruption. Gracenote n'est nullement obligée de mettre à votre disposition les types ou catégories de données nouveaux, complémentaires ou améliorés que Gracenote pourrait proposer à l'avenir, et Gracenote est libre de mettre fin à ses services à tout moment.

GRACENOTE DÉNIE TOUTES GARANTIES EXPLICITES OU IMPLICITES, Y COMPRIS MAIS PAS SEULEMENT LES GARANTIES IMPLICITES DE POTENTIEL COMMERCIAL, D'ADÉQUATION À UN USAGE SPÉCIFIQUE, DE PROPRIÉTÉ ET DE NON-INFRACTION. GRACENOTE NE GARANTIT AUCUNEMENT LES RÉSULTATS QUI POURRAIENT ÊTRE OBTENUS PAR VOTRE UTILISATION DU LOGICIEL GRACENOTE OU DE N'IMPORTE QUEL SERVEUR GRACENOTE. GRACENOTE NE SAURAIT EN AUCUN CAS ÊTRE RESPONSABLE DES DOMMAGES ÉVENTUELLEMENT CONSÉQUENTS OU INCIDENTS SUBIS, NI D'AUCUNE PERTE DE BÉNÉFICES OU PERTE DE CHIFFRE D'AFFAIRES.

FR

=====

**SkypeKit**

Ce produit comprend SkypeKit Version 3

Copyright 2003-2010 Skype Limited

Brevets en instance

Skype, les marques de commerce et logos associés,  
ainsi que le symbole « S » sont des marques de  
commerce de Skype Limited.







