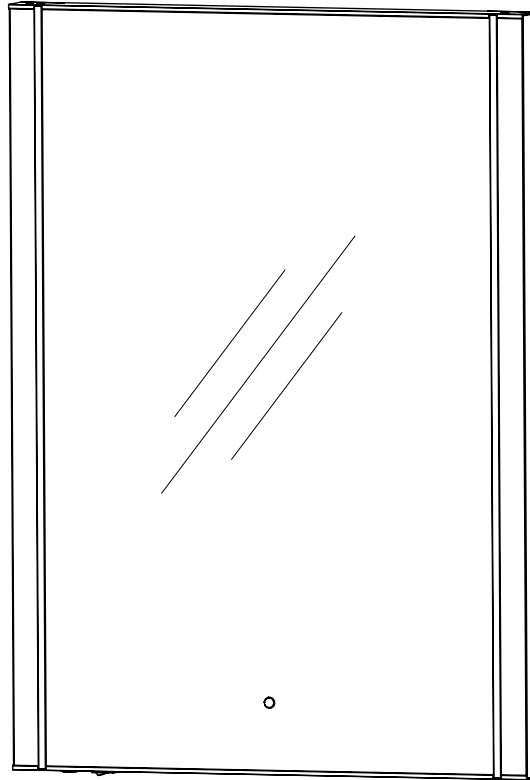


# USE AND CARE GUIDE

---

## RECTANGULAR MIRROR WITH LED LIGHT & BT SPEAKER



Questions, problems, missing parts? Before returning to the store,  
call Glacier Bay Customer Service  
8 a.m. - 6 p.m., EST, Monday - Friday

**1-855-HD-GLACIER**

**[HOMEDEPOT.COM/GLACIERBAY](http://HOMEDEPOT.COM/GLACIERBAY)**

---

**THANK YOU**


*We appreciate the trust and confidence you have placed in Glacier Bay through the purchase of this LED MIRROR WITH BT SPEAKER / PHONE. We strive to continually create quality products designed to enhance your home. Visit us online to see our full line of products available for your home improvement needs. Thank you for choosing Glacier Bay!*


# Table of Contents

Table of Contents .....	2	Installation .....	5
Safety Information .....	2	Surface Mounting Only .....	5
Warranty .....	2	Electrical Operation .....	6
Important Safety Instructions .....	3	Electrical Specifications .....	7
Pre-Installation .....	4	Mechanical Specifications .....	7
Planning Installation .....	4	Care and Cleaning .....	7
Tools Required .....	4		


# Safety Information

1. This equipment has been tested and found to comply with the limits for class B digital device, pursuant to part 15 of the FCC Rules.
2. This Class B digital apparatus complies with Canadian ICES-003.
3. UL and cUL approved AC/DC Adaptor.
4. Save these installation instructions for future reference. Record the model number from the packing label.

 **WARNING:** Safely discard all packing material. Keep plastic bags and small parts away from children.

 **CAUTION:** Please ensure all the accessories are removed from the packing before you discard.

 **CAUTION:** Safety glasses should be worn at all times.

 **CAUTION:** To maintain compliance with the FCC's RF exposure guidelines, place the base unit at least 20cm from nearby persons.

# Warranty

This product is guaranteed to operate a minimum of 1 year from the original date of purchase. If, under normal use and for the full time period, your product fails to operate, please return it to your local Home Depot (with your original proof of purchase receipt) and we will refund it.

This warranty is considered void if the product fails from misuse. Contact the Customer Service Team at 1-855-HD-GLACIER or visit [HOMEDEPOT.COM/GLACIERBAY](http://HOMEDEPOT.COM/GLACIERBAY).

# IMPORTANT SAFETY INSTRUCTIONS

When using an electrical furnishing, basic precautions should always be followed, including the following:

Read all instructions before using this mirror.

## **DANGER – TO REDUCE THE RISK OF ELECTRIC SHOCK:**

1. Always disconnect power at the circuit breaker to the unit prior to performing any maintenance or service operation.

## **WARNING – TO REDUCE THE RISK OF BURNS, FIRE, ELECTRIC SHOCK, OR INJURY TO PERSONS:**

1. Disconnect power at the circuit breaker before putting on or taking off parts.
2. Close supervision is necessary when this furnishing is used by, or near children, invalids, or disabled persons.
3. Use this furnishing only for its intended use as described in these instructions. Do not use attachments/accessories not recommended by the manufacturer.
4. Never operate this furnishing if it is not working properly or if it has been dropped or damaged, or dropped into water. Return the furnishing to a service center for examination and repair.
5. Never operate the furnishing with the air openings blocked. Keep the air openings free of lint, hair, and the like.
7. Never drop or insert any object into any opening.
8. Do not use outdoors.
9. Do not operate where aerosol (spray) products are being used or where oxygen is being administered.
10. To disconnect, turn all controls to the off position, then disconnect power from the AC/DC adaptor.

# SAVE THESE INSTRUCTIONS

## FOR HOUSEHOLD AND INDOOR USE ONLY

The appliance is not to be used by persons (including children) with reduced physical, sensory or mental capabilities, or lack of experience and knowledge, unless they have been given supervision or instruction. Children should be supervised to ensure that they do not play with the appliance.

**WARNING:** Changes or modifications to this unit not expressly approved by the party responsible for compliance could void the user's authority to operate the equipment.

**CAUTION:** Use only power adaptor that was provided with this product. Using a different power adaptor will damage the lights and cause fire, electrical shock hazard.

The operation of this equipment is subject to the following two conditions:

- 1) It is possible that this equipment or device may not cause harmful interference and
- 2) This device must accept any interference, including interference that may cause its undesired operation

**NOTE:** This equipment has been tested and found to comply with the limits for a Class B digital device, pursuant to Part 15 of the FCC Rules. These limits are designed to provide reasonable protection against harmful interference in a residential installation. This equipment generates, uses and can radiate radio frequency energy and, if not installed and used in accordance with the instructions, may cause harmful interference to radio communications.

However, there is no guarantee that interference will not occur in a particular installation. If this equipment does cause harmful interference to radio or television reception, which can be determined by turning the equipment off and on, the user is encouraged to try to correct the interference by one or more of the following measures:

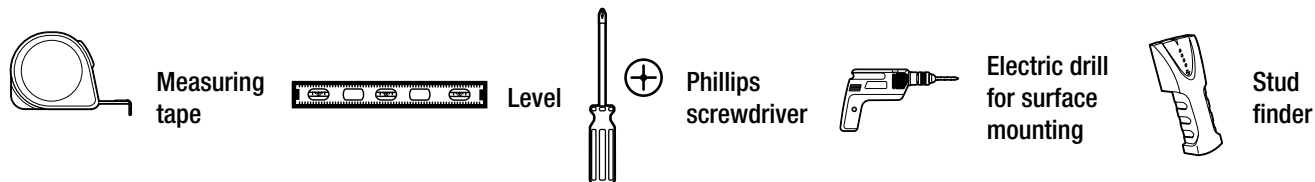
- Reorient or relocate the receiving antenna.
- Increase the separation between the equipment and receiver.
- Connect the equipment into an outlet on a circuit different from that to which the receiver is connected.
- Consult the dealer or an experienced radio/TV technician for help.

# Pre-Installation


## PLANNING INSTALLATION

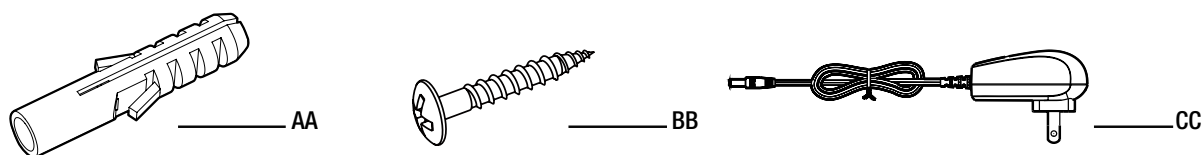
- Unpack your LED mirror carefully, and close the sink drain to prevent any dropped parts from falling into the drain.
- Please read the entire manual before beginning installation and become familiarized with the steps and parts involved.
- For surface-mount installation only.

## TOOLS REQUIRED




## HARDWARE INCLUDED

 **NOTE:** Hardware not shown to actual size.



Part	Description	Quantity
AA	Plastic wall anchor	2
BB	Phillips head screws (#8 X 1.5 in.)	2
CC	AC/DC Adaptor	1

 **CAUTION:** The included plastic wall anchors (AA) are intended for use with solid wall applications only (tile and concrete). **DO NOT USE WITH DRYWALL OR OTHER HOLLOW WALL APPLICATIONS.** Refer to additional warning information on Page 5 of this instruction manual.

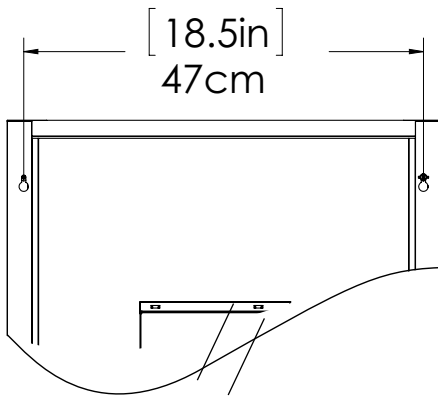
# Installation - Surface Mounting Only

## 1 Drilling Hole on wall



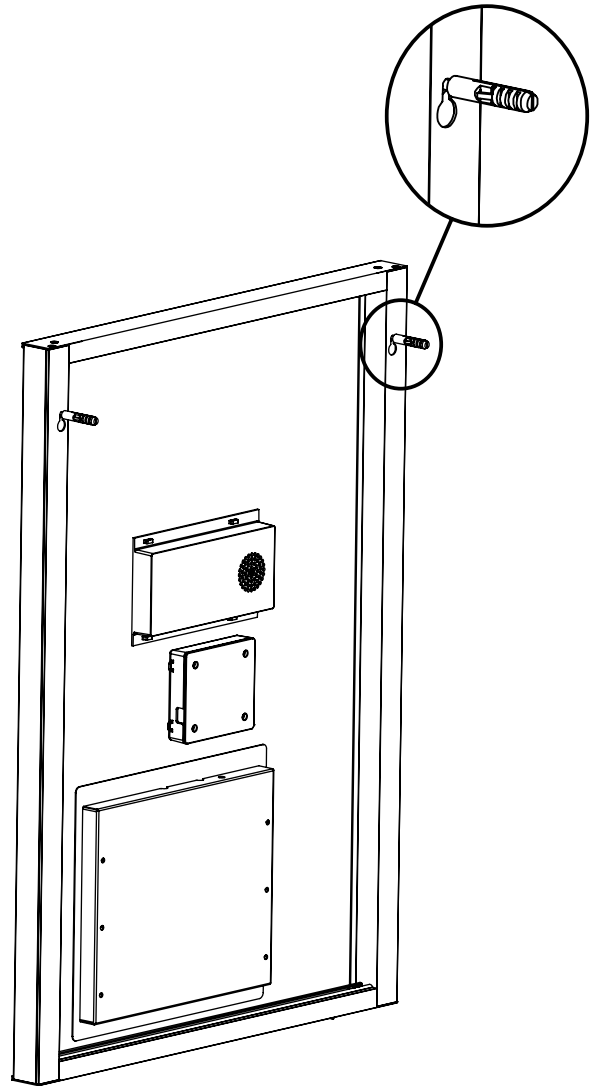
**WARNING:** If installing the mirror on drywall or other hollow wall applications, the Phillips head screws (BB) must be fastened to studs, headers, or other structural wall members. The included plastic wall anchors are intended for use with solid wall applications only (tile or concrete). **DO NOT USE WITH DRYWALL OR OTHER HOLLOW WALL APPLICATIONS.**

- The center distance of the two drilling holes on wall: 47 cm (18.5 inches).
- Insert the plastic wall anchors into the holes and then tighten the screws to them.



## 2 Position the mirror

- Hang the mirror on the screw heads by engaging with the hanging holes at the back of the mirror.



# Electrical Operation

## 1 Power Connection



**WARNING: RISK OF ELECTRIC SHOCK OR FIRE, ONLY USE THE AC/DC ADAPTOR PROVIDED.**

- Plug in the AC/DC Adaptor to the DC Jack.
- When the Power Indicator Lamp is turned on (Blue in color), it means the power connection is OK.

## 2 LED Circle Light On & Off

- Finger touches the Power Indicator (Diagram 1), the LED Circle Light is ON. When finger touches the Power Indicator again, the LED Circle Light is OFF.
- That means, if the previous condition of the LED Circle Light is ON, once the finger touches the Power Indicator, it will be OFF and vice versa.

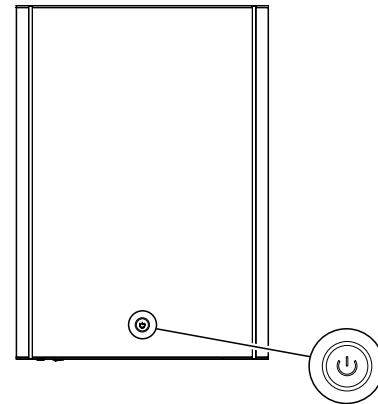


Diagram 1

Power Indicator (when its light is ON, it appears in blue color)

## 3 BlueTooth Operation Enabling:

- Turn ON the BlueTooth Switch (Diagram 2) manually.
- The BlueTooth Sound (Speaker) Box generates reminding audio signal and the light of the BlueTooth LED Indicator (Diagram 2) flashes quickly at the same time.
- BlueTooth automatically enters the searching function, i.e. enters the status to wait for BlueTooth devices matching.
- The Bluetooth device of this mirror (Model: HD002) can be searched and connected by the phones.
- Once successfully connected, the BlueTooth Sound (Speaker) Box will generate a short audio signal “du” and the light of the BlueTooth LED Indicator will change from quick flashing to slow flashing.

DC Jack    BlueTooth Switch    BlueTooth LED indicator



Diagram 2

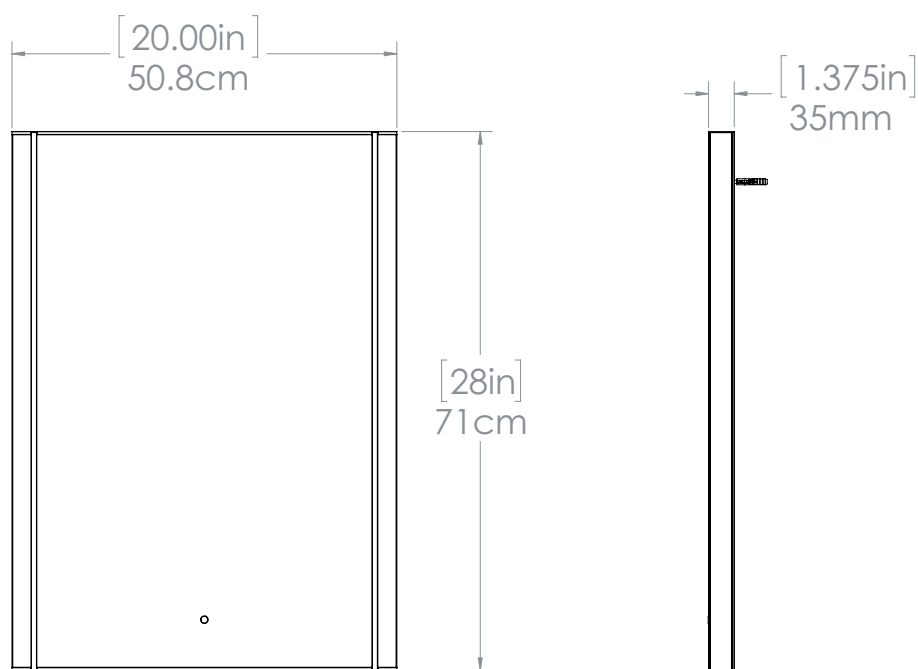
## 4 BlueTooth Function:

- After successful connection with BlueTooth, the mirror device can be used to play music and act as a BlueTooth phone.
- BlueTooth signal covering distance: up to 10 meter (open space).

## Electrical Specifications

- External Power Adaptor Input: 100 - 240 V ~ 60 Hz 0.8 A máx., Output: DC 12 Vcc 2 A
- BlueTooth Version: Bluetooth 4.1 + EDR compliant
- BlueTooth Support Mode: A2DP(1.3), HFP profile version 1.6 compliant
- Speaker Output Power: Maximum 4W\*2, Bi-aural
- LED Light Color Temperature: 3800k

## Mechanical Specifications



Size: 28 (L) x 20 (W) x 1.375 (T) inches

Net Weight: 5kg (including accessories)

## Care and Cleaning

- Use a household liquid glass cleaner to keep the mirror and glass surfaces clean.
- Do not use abrasive cleaners containing ammonia.
- The user can perform cleaning ONLY. All other servicing should be performed by qualified service personnel.



**Questions, problems, missing parts? Before returning to the store,  
call Glacier Bay Customer Service  
8 a.m. - 6 p.m., EST, Monday - Friday**

**1-855-HD-GLACIER**

**[HOMEDEPOT.COM/GLACIERBAY](https://www.homedepot.com/glacierbay)**

**Retain this manual for future use.**