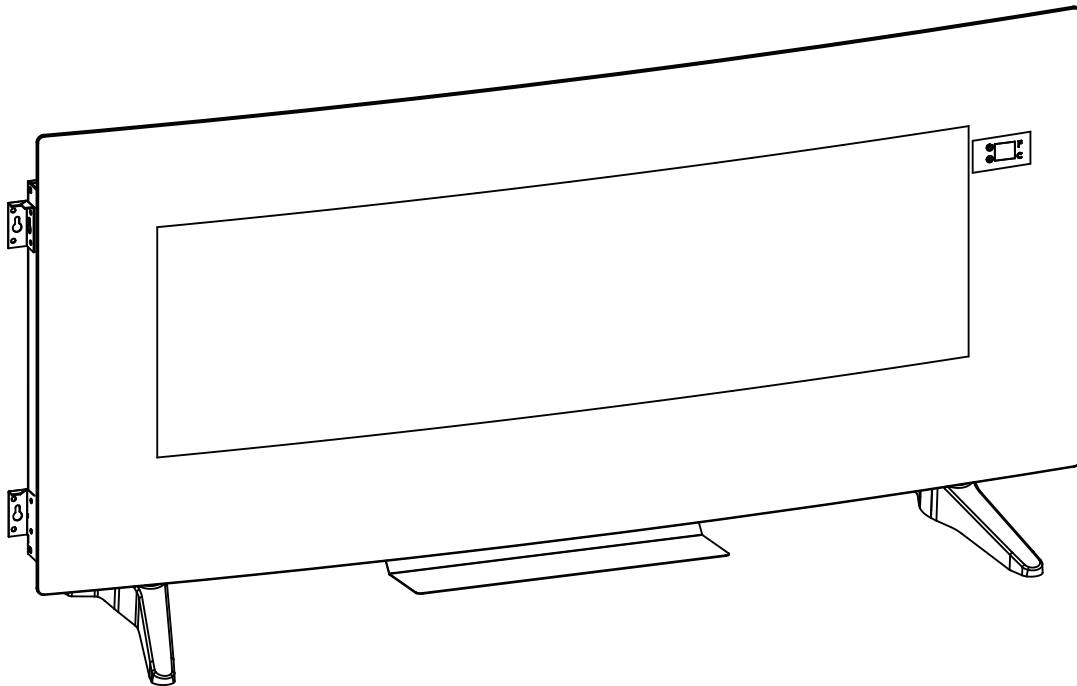


## 42 INCH LED PORTABLE AND WALL HUNG FIREPLACE

SKU NO.: 810394426  
ITEM NO.: CAL-174203A



### **IMPORTANT INSTRUCTIONS**

**Please read Electric Fireplace User Manual before assembly and install.**

\* Please do not return any products to the store, for any missing or replacement parts for electric fireplace insert, wood pieces or hardware, please contact BIGLOTS Customer Service. Phone: 888-829-1658  
Working Hours: Monday - Friday, 9:00AM - 5:00PM (Pacific Standard Time)

# IMPORTANT SAFETY INSTRUCTIONS

**WARNING: Any use of this appliance other than that recommended by the manufacturer in this owners manual may cause fire, burns, electric shock and/or other serious injuries or death.**

When using electrical appliances, basic precautions should always be followed to reduce the risk of fire, electrical shock, and injury to persons including the following:

1. Read all instructions before installing or using the heater.
2. This appliance is not intended for use by persons (including children) with reduced physical, sensory or mental capabilities, or lack of experience and knowledge, unless they have been given supervision or instruction concerning use of the appliance by a person responsible for their safety.
3. Children should be supervised to ensure that they do not play with the appliance.
4. **WARNING:** In order to avoid overheating, do not cover the heater.
5. The heater must not be located immediately below a socket-outlet.
6. Do not use this heater in the immediate surroundings of a bath, a shower or a swimming pool.
7. This appliance is hot when in use. To avoid burns, **DO NOT** let bare skin touch hot surfaces. Keep combustible material, such as furniture, pillows, bedding, papers, clothes and curtains, at least 3 feet from the front of the heater and keep them away from the side and rear.
8. Extreme caution is necessary when any heater is used by or near children or individuals with disabilities and whenever the fireplace is left operating and unattended.
9. **ALWAYS** unplug this appliance when not in use.
10. **DO NOT** operate any heater with a damaged cord or plug or after the heater malfunctions. **DO NOT** operate any heater if it has been dropped or damaged in any manner. Discard heater, or return to authorized service facility for examination and/or repair.
11. **DO NOT** use outdoors.
12. This heater is not intended for use in bathrooms, laundry areas and similar indoor locations. **NEVER** place heater where it may fall into a bathtub or other water container.
13. **DO NOT** run cord under carpeting. **DO NOT** cover cord with throw rugs, runners, or similar covering. Do not route cord under furniture or appliances. Arrange cord away from traffic areas and where it will not be tripped over.
14. To disconnect this appliance, turn controls to the off position, then remove plug from outlet.
15. **ONLY** connect to properly-grounded outlets.
16. Do **NOT** insert or allow foreign objects to enter any ventilation or exhaust opening as this may cause an electric shock or fire, or damage the appliance.
17. To prevent a possible fire, **DO NOT** block air intakes or exhaust in any manner. **DO NOT** use on soft surfaces, like a bed, where opening may become blocked.
18. Use this appliance only as described in the manual. Any other use is **NOT** recommended by the manufacturer and may cause fire, electric shock or injury to persons.
19. This appliance has hot and arcing or sparking parts inside. **DO NOT** use it in areas where gasoline, paint or flammable vapors or liquids are used or stored. This fireplace should not be used as a drying rack for clothing. Christmas stockings or decorations should not be hung in the area of it.
20. **ALWAYS** plug heaters directly into a wall outlet/receptacle. **NEVER** use with an extension cord or re-locatable power tap (outlet/power strip).
21. This appliance, when installed, must be electrically grounded in accordance with local codes, with the current CSA C22.1 Canadian Electrical Code or follow the National Electrical Code, ANSI/NFPA N0.70.



SKU NO.: 810394426  
ITEM NO.: CAL-174203A

# IMPORTANT SAFETY INSTRUCTIONS

**CAUTION:** DO NOT place any objects on top of insert and top air intake vents as this will cause unit to overheat and can cause a fire.

**CAUTION:** The heaters **MUST NOT** be located immediately below a socket-outlet.

**CAUTION:** There is a thermostat protective device provide inside of unit. If the inner temperature overheats or abnormal heating occurs, the thermostat protective device will cut off power supply to prevent damage or risk of fire.

**CAUTION:** Any repairs to this fireplace should be carried out by a qualified service person.

**CAUTION:** If the information in this manual is not followed exactly, an electric shock or re may result causing property damage, personal injury or loss of life.

**CAUTION:** Under no circumstances should this replace be modified. Parts having to be removed for servicing must be replaced prior to operating this replace again.

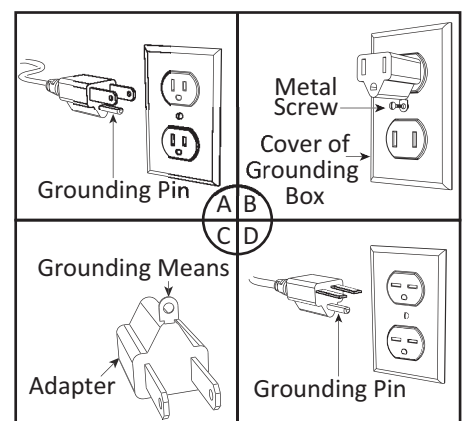
## SAVE THESE INSTRUCTIONS

### Electrical Connection

- A 15-amp, 120-volt, 60 Hz circuit with a properly grounded outlet is required. Preferably, the fireplace will be on a dedicated circuit as other appliances on the same circuit may cause the circuit breaker to trip or the fuse to blow when the heater is in operation. The unit comes standard with 6-ft. three-wire cord, exiting from the rear of the fireplace. **DO NOT** exceed the current rating of the current tap. **ALWAYS** plug heaters directly into a wall outlet/receptacle. **NEVER** use with an extension cord or relocatable power tap (outlet/power strip).
- This heater is for use on 120 volts. The cord has a plug as shown A. See illustration for grounding instruction. An adapter as shown at C is available for connecting three-blade grounding type plugs to two-slot receptacles. The green grounding lug extending from the adapter must be connected to a permanent ground such as a properly grounded outlet box. The adapter should not be used if a three-slot grounded receptacle is available.

#### ELECTRICAL SPECIFICATIONS

Voltage: 120 VAC, 60 Hz  
Amps: 11.7 Amps  
Watts: 1400 Watts



# IMPORTANT SAFETY INSTRUCTIONS

---

NOTE: This equipment has been tested and found to comply with the limits for a Class B digital device, pursuant to Part 15 of the FCC Rules. These limits are designed to provide reasonable protection against harmful interference in a residential installation. This equipment generates, uses and can radiate radio frequency energy and, if not installed and used in accordance with the instructions, may cause harmful interference to radio communications.

However, there is no guarantee that interference will not occur in a particular installation. If this equipment does cause harmful interference to radio or television reception, which can be determined by turning the equipment off and on, the user is encouraged to try to correct the interference by one or more of the following measures:

- Reorient or relocate the receiving antenna
- Increase the separation between the equipment and the receiver
- Connect the equipment into an outlet on a circuit different from that to which the receiver is connected.
- Consult the dealer or an experienced radio/TV technician for help.

This device complies with Part 15 of the FCC rules. Operation is subject to the following two conditions:

1. This device may not cause harmful interference, and
2. This device must accept any interference received, including interference that may cause undesired operation.

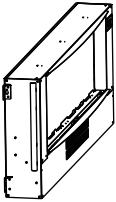
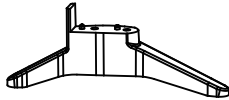
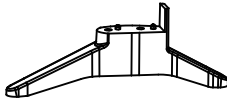
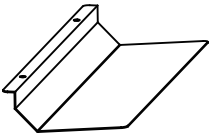
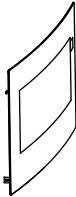

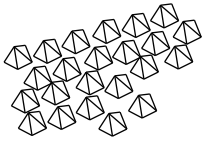


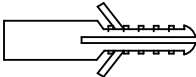
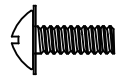

Modifications not approved by the party responsible for compliance could void user's authority to operate the equipment.

This Class B digital apparatus complies with Canadian ICES-003.



SKU NO.: 810394426  
ITEM NO.: CAL-174203A

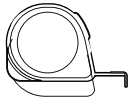
# PRE-INSTALLATION

PARTS LIST					
A	1 PC	B	1 PC	C	1 PC
ELECTRIC FIREPLACE		LEFT FEET		RIGHT FEET	
					
D	1 PC	E	1 PC	F	1 PC
WIND SHIELD		GLASS PNAEL		REMOTE CONTROL	
					
G	Varies	H	1 PC		
ACRYLIC BEADS		MOUNTING TEMPLATE			
					
HARDWARE LIST					
AA	4 PCS	BB	4 PCS	CC	4 PCS
SCREW (4*38MM)		WALL ANCHOR		SCREW (M6*12)	
					
DD	2 PCS				
SCREW (M4*8)					
					

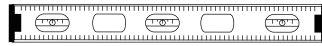
# PRE-INSTALLATION

---

## Tools Required



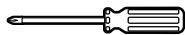
MEASURING TAPE



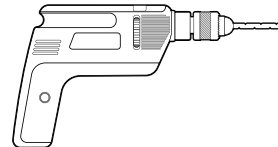
LEVEL



STUD FINDER



PHILLIPS SCREWDRIVER



ELECTRIC DRILL

### IMPORTANT:

Please read and understand this manual before any assembly. Before beginning assembly of product, make sure all parts are present. Compare parts with packaging contents list. If any part is missing, or if you have any questions, contact the service center.

Place all parts from the box in a cleared area and position them on the floor in front of you. Remove all packing materials and place them back into the box. Do not dispose of the packing materials until assembly is complete. Read each step carefully before beginning any assembly and make sure you understand each step. If you are missing a part, please call for assistance.

### Before you install

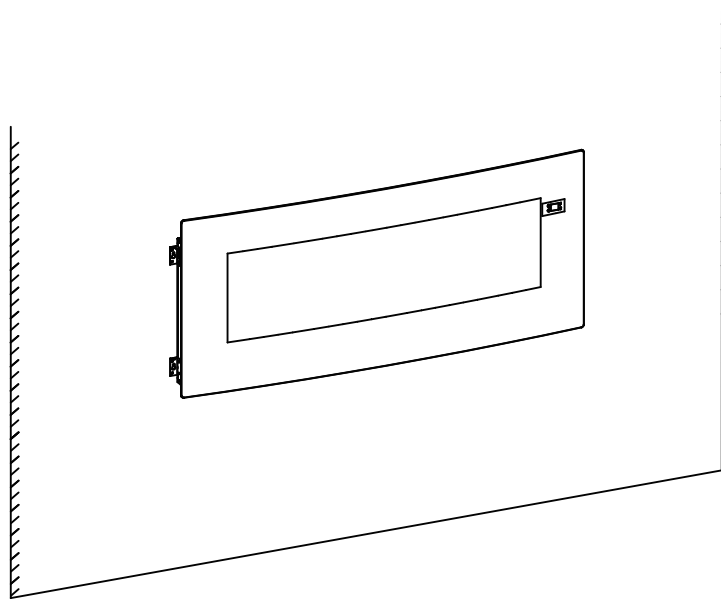
- ◆ Before installing your new fireplace, decide whether you want to install your new fireplace using a surface mount or freestanding.
- ◆ Select a location that is not susceptible to moisture, dust and is away from high traffic locations and things that many catch fire or block openings such as drapes, pillows, furniture etc.
- ◆ It is strongly recommended that the screws be screwed into the wall studs where possible. If the wall studs cannot be used, wall anchors must be used.  
**CAUTION:** Enclosed wall anchors (BB) only can be use on the concrete wall.
- ◆ For the best effect install the fireplace out of direct sunlight and away from overhead lighting.

# INSTALLATION

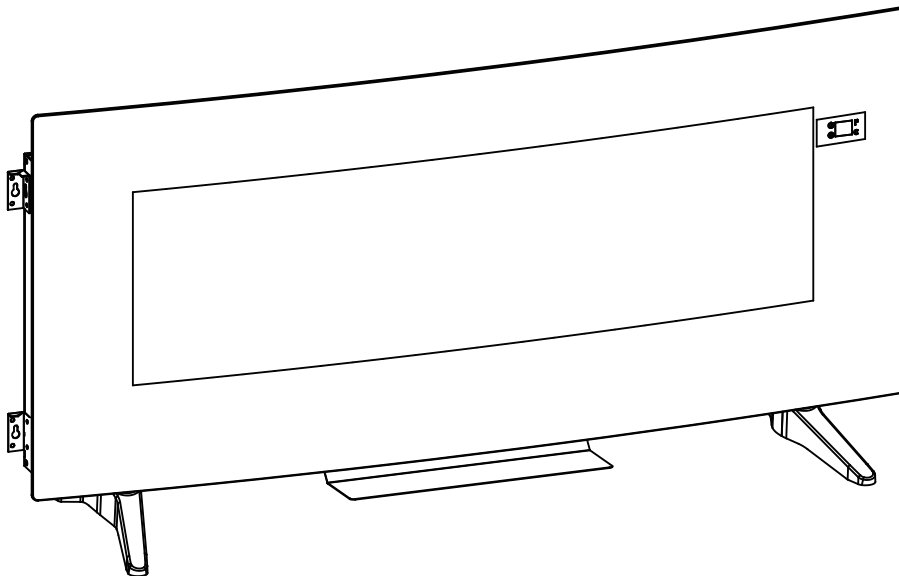
---

The Fireplace can be installed with 2 options:

1. Mount the unit on the wall.....Page 8



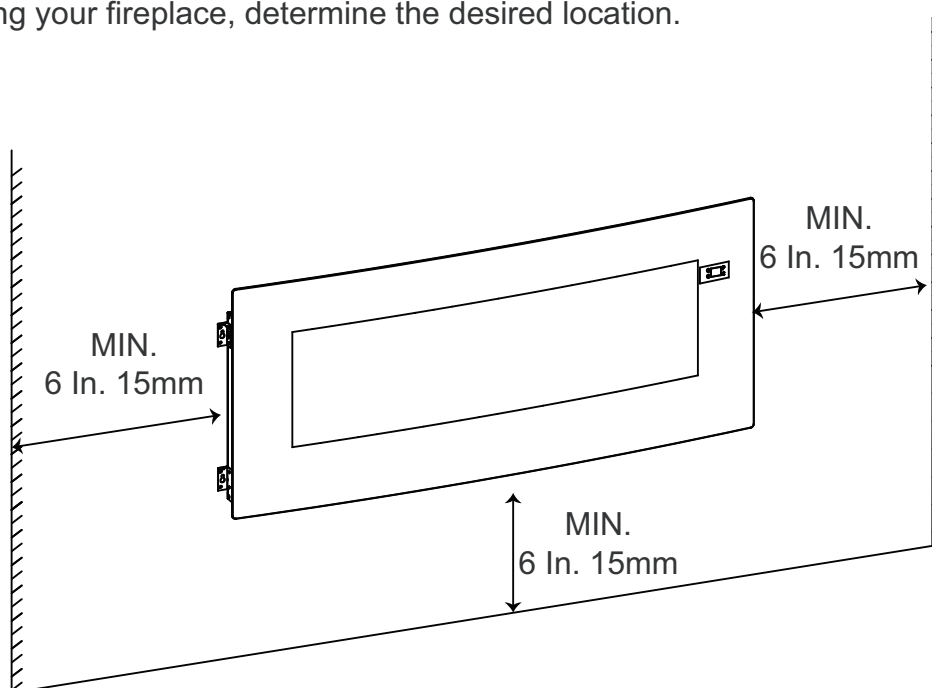
2. Freestanding.....Page 12



# INSTALLATION - WALL MOUNTING

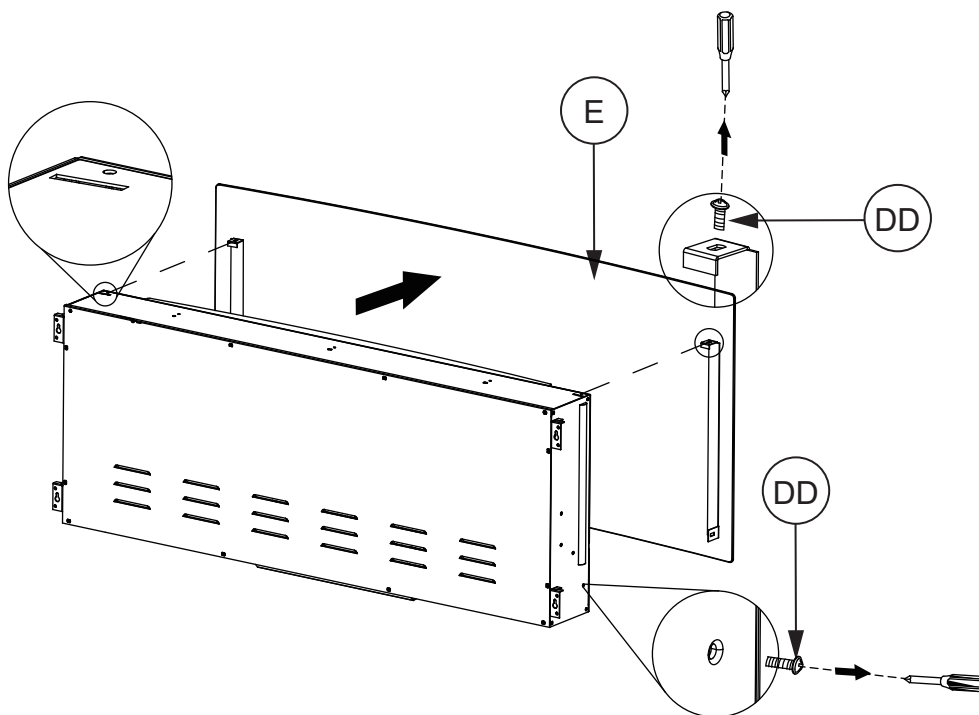
## STEP 1

Before installing your fireplace, determine the desired location.



## STEP 2

Remove the glass cover (E) by unscrew four screws as shown.



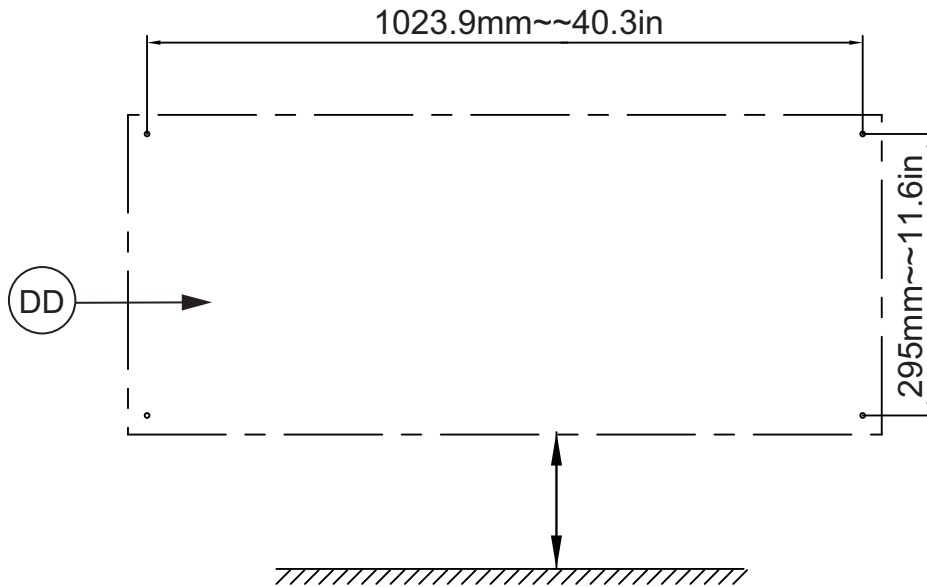


# INSTALLATION - WALL MOUNTING

---

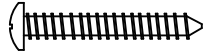
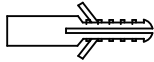
## STEP 3

Place the mounting template (H) to the desired location, then mark down the drill hole on the wall. Make sure the template is level.



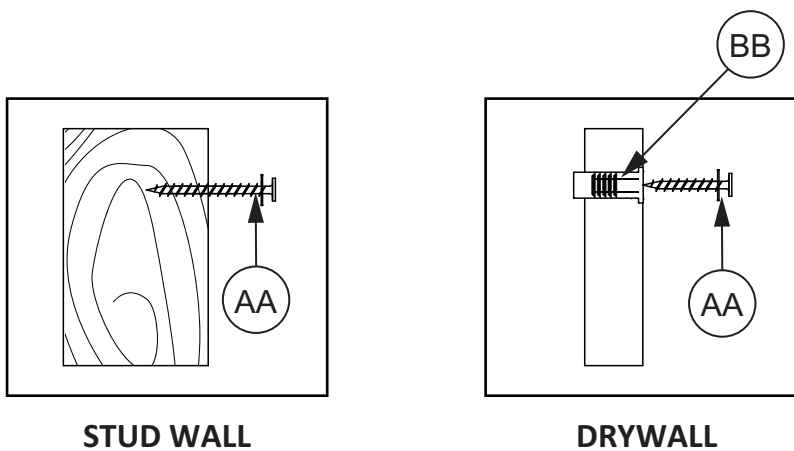
# INSTALLATION - WALL MOUNTING

## REQUIRED HARDWARE IN THIS STEP

NO.	DESCRIPTION	SKETCH	QTY
AA	SCREW (4*38MM)		4 PCS
BB	WALL ANCHOR		4 PCS

### STEP 4

Select the hardware appropriate for fireplace installation.



STUD WALL

DRYWALL

#### STUD WALL

- Install the screws (AA) at marked stud locations.

#### DRYWALL

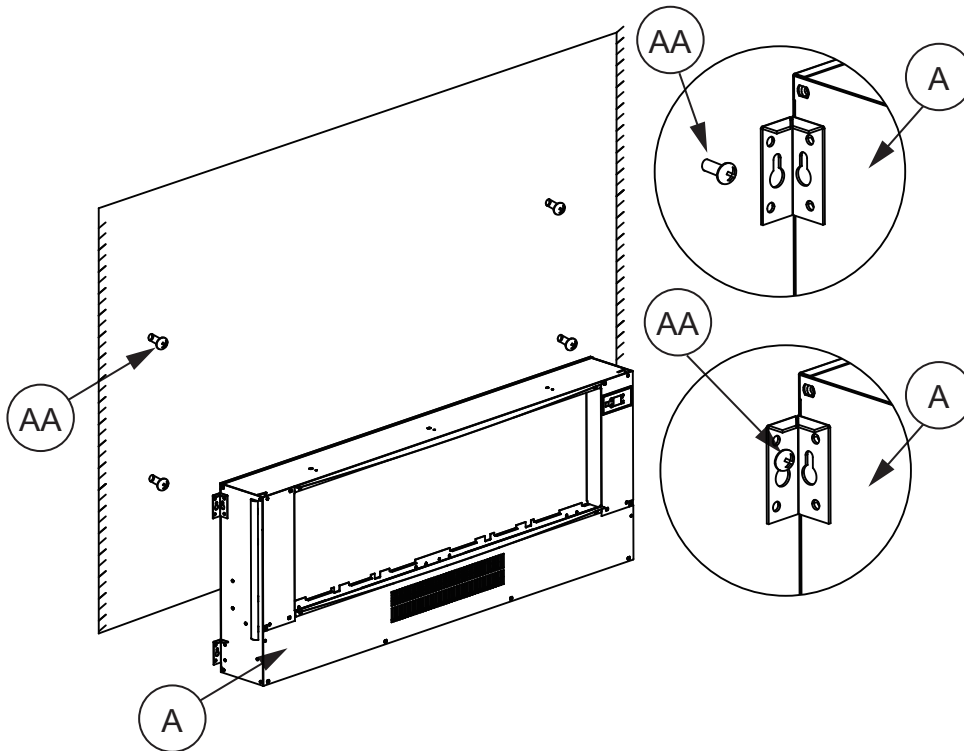
- Drill 5/16-inch holes at marked locations, then insert wall anchors (BB) into holes. Install the screws (AA) to the wall.

# INSTALLATION - WALL MOUNTING

---

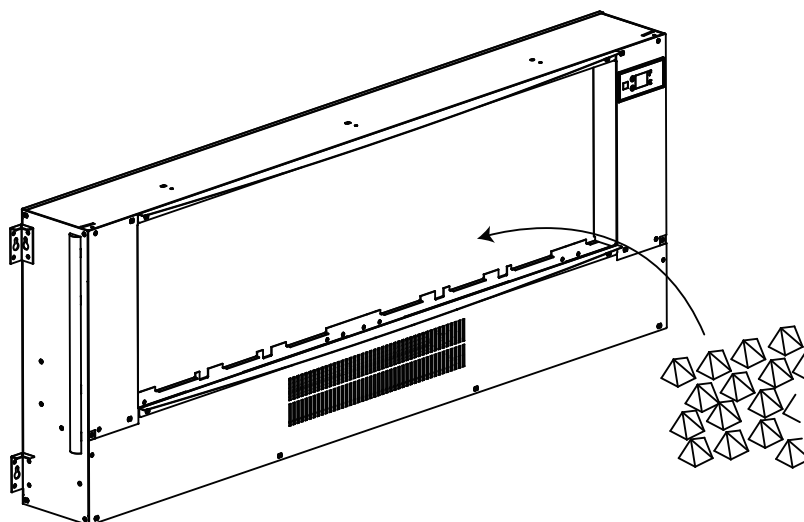
## STEP 5

Hang the fireplace to the wall as shown.



## STEP 6

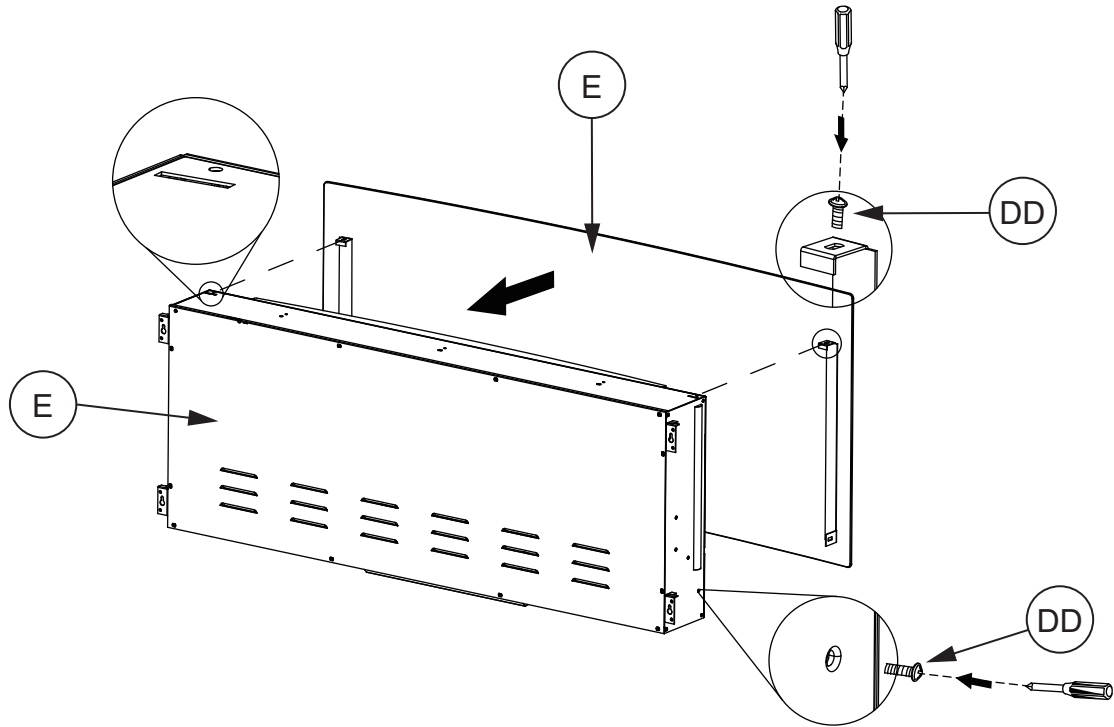
Put the acrylic beads (E) into the fireplace (A) as shown.



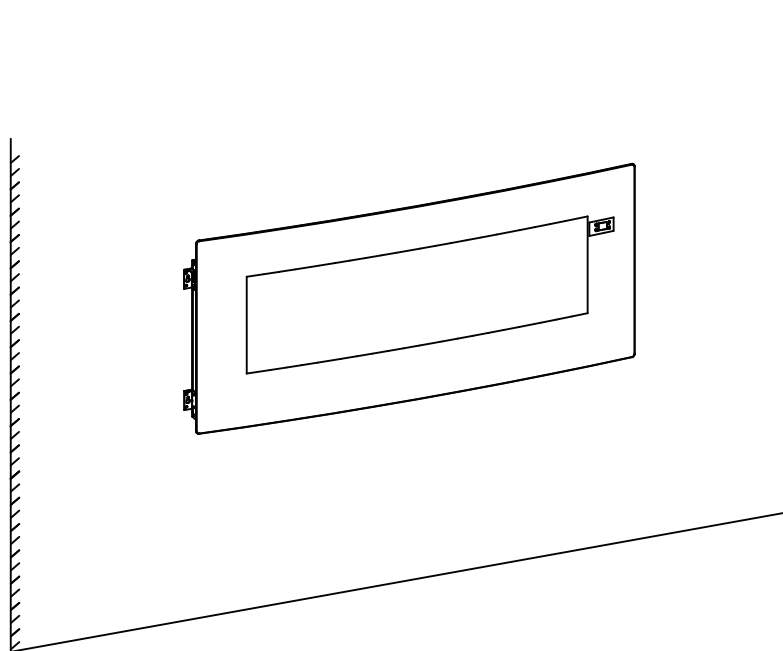
# INSTALLATION - WALL MOUNTING

## STEP 7

Hang the glass cover (E) to the fireplace (A) by inserting the hooks into the slots located on the top of the fireplace (A). Secure the glass cover (E) in place with screw (DD) as shown.



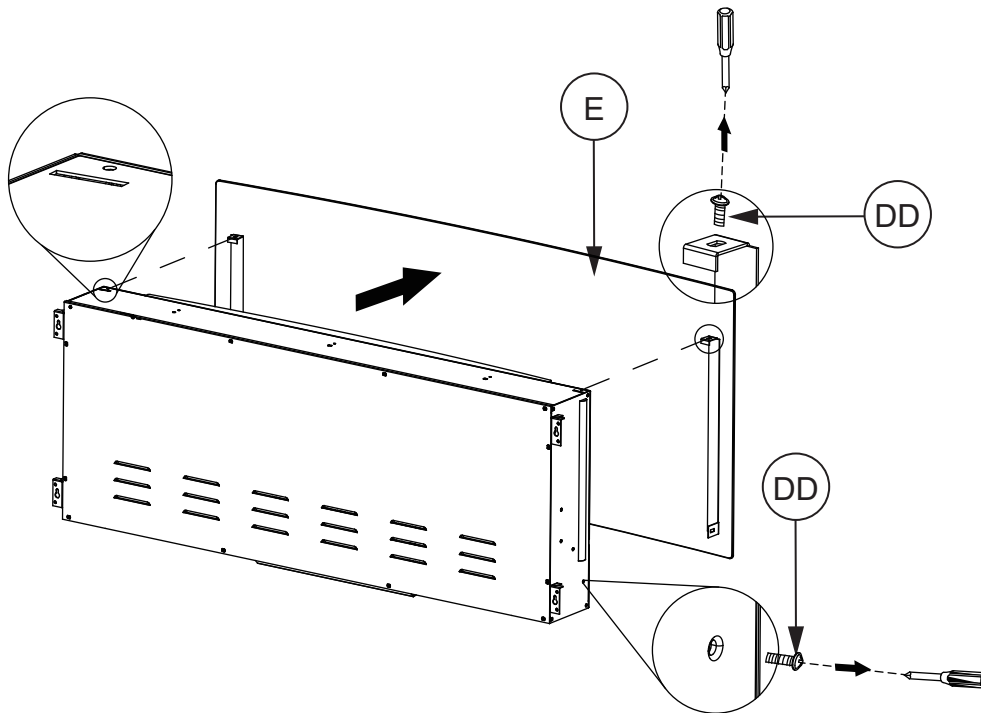
Complete!



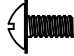
# INSTALLATION - FREESTANDING

## STEP 1

Remove the glass cover (E) by unscrew four screws (DD) as shown.

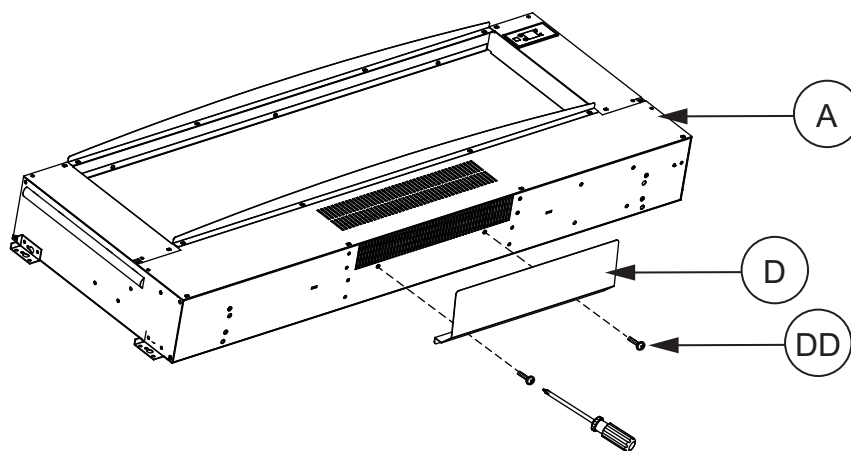


## REQUIRED HARDWARE IN THIS STEP

NO.	DESCRIPTION	SKETCH	QTY
DD	SCREW (M4*8)		2 PCS


## STEP 2

Assemble the wind shield (D) to fireplace (A) th screw (DD) as shown.



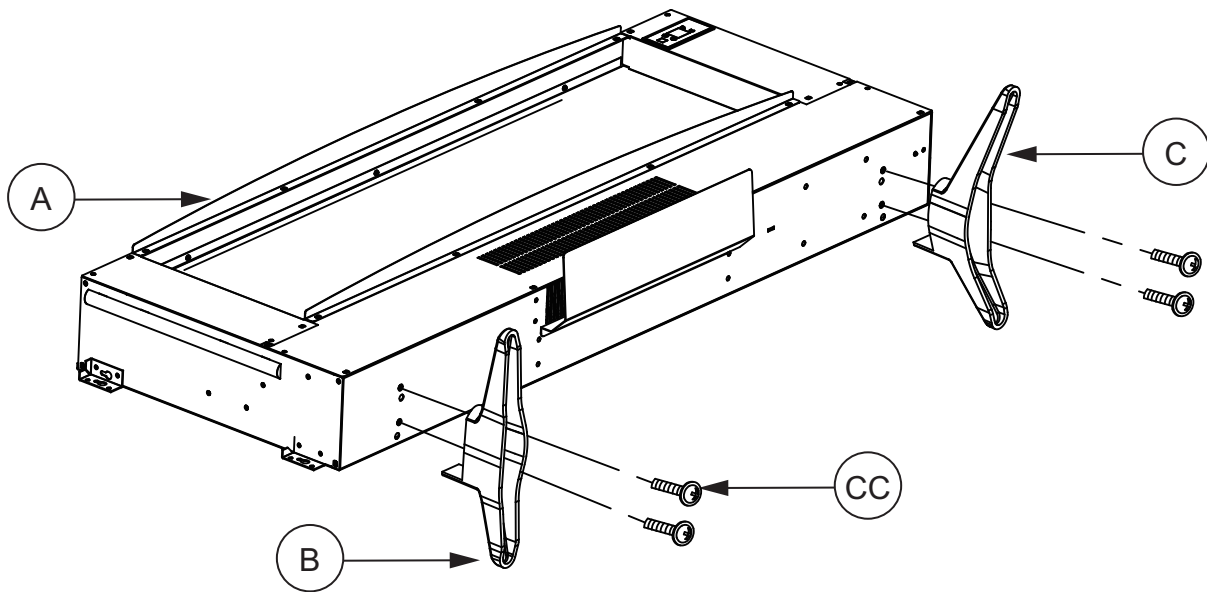
# INSTALLATION - FREESTANDING

## REQUIRED HARDWARE IN THIS STEP

NO.	DESCRIPTION	SKETCH	QTY
CC	SCREW (M6*12)		4 PCS

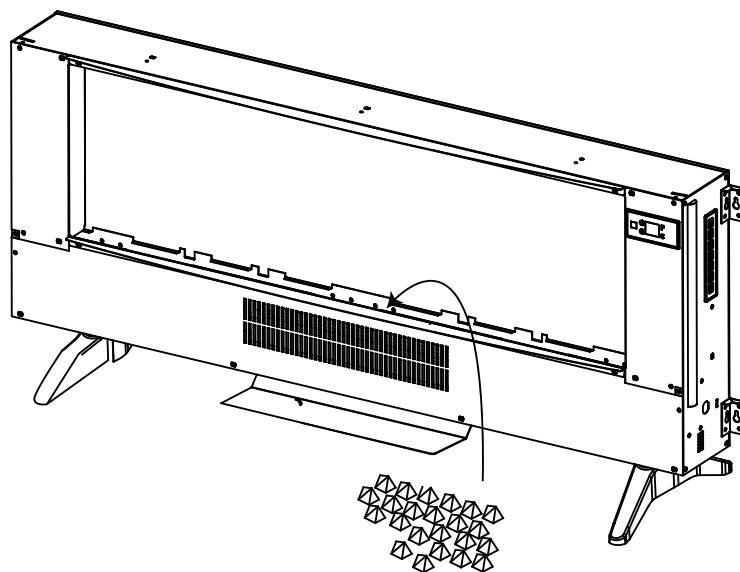
### STEP 3

Assemble the left feet (B) & right feet (C) to fireplace (A) with screws (CC) as shown.



### STEP 4

Put the acrylic beads (E) into the fireplace (A) as shown.

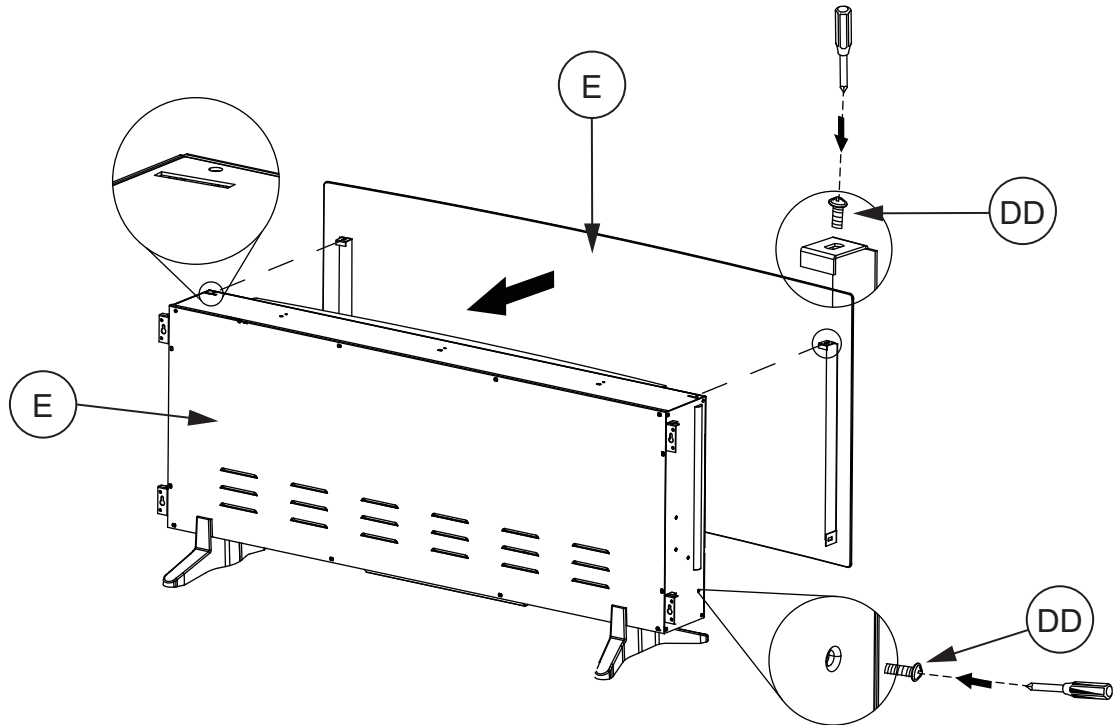


# INSTALLATION - FREESTANDING

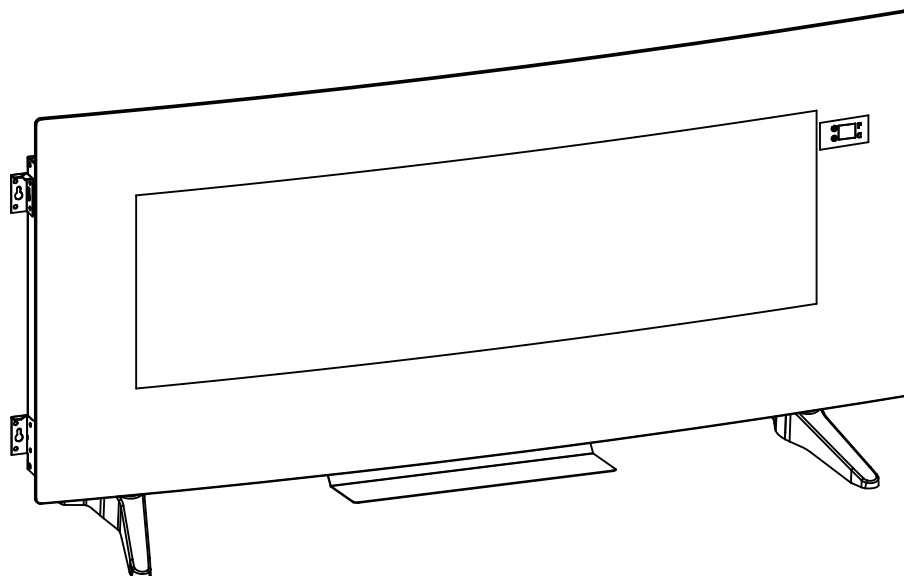
---

## STEP 5

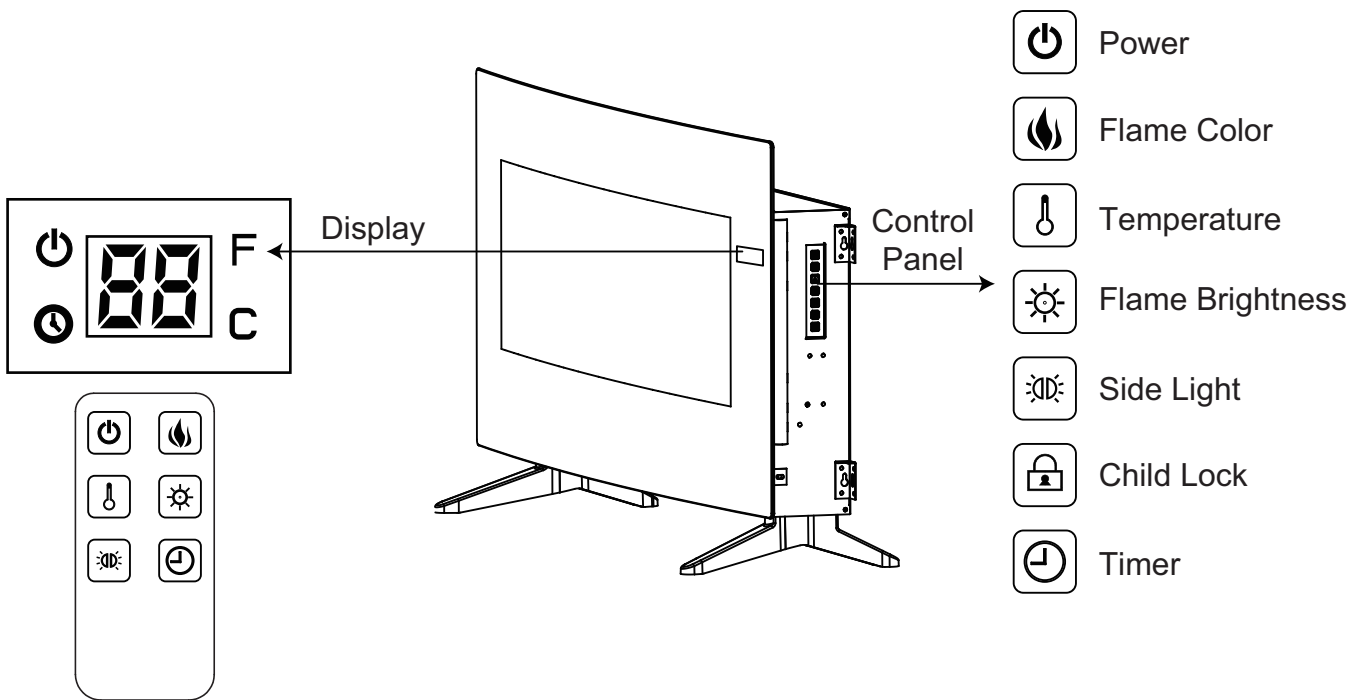
Hang the glass cover (E) to the fireplace (A) by inserting the hooks into the slots located on the top of the fireplace (A). Secure the glass cover (E) in place with screw (DD) as shown.



Complete!



# OPERATING INSTRUCTION



Remote Control

## Power Button

- ◆ Pressing the power button will turn ON or OFF the unit.
- ◆ When the unit is in ON mode, the power icon indicator light will be shown green.
- ◆ When the unit is in OFF mode, the power icon indicator light will be shown red. When power OFF, unit will be stopped, if heater is working before power OFF the unit, fan will have 20 seconds delay to ensure heat will not be trapped inside the unit.
- ◆ The unit has a memory function with last settings for heating level and flame brightness effect, unless the main power to the unit has been interrupted.

## Flame Color Button

- ◆ Press the flame color to cycle through the setting as: C1/C2/C3/C4/C5

Setting	Flame Color	Ember Bed Color
C1	Blue	Blue
C2	Yellow + Blue Gradient	Red Gradient + Blue Gradient
C3	Yellow	Red
C4	Yellow Gradient + Blue Gradient	Red
C5	Yellow + Blue	Red + Blue



# OPERATING INSTRUCTION

---

## Temperature Button

- ◆ The temperature button controls the heater thermostat.
- ◆ Press the temperature button to scroll through the pre-set temperature settings:
  - Fahrenheit: OF (OFF), 65, 70, 75, 80, 85, 90 and HI (High).
  - Celsius: OF (OFF), 18, 21, 24, 27, 29, 32 and HI (High).
- ◆ Hold down the temperature button for 3 seconds to toggle between Fahrenheit and Celsius. A small “F” or “C” will display next to the temperature.
- ◆ When the ambient temperature is higher than the set temperature, heater will turn off automatically.

## Flame Brightness Button

- ◆ The flame brightness button should be used to set the flame & ember bed brightness.
- ◆ Press the flame brightness button to scroll through the flame brightness settings:
  - F0 (Flame OFF) /F1/F2/F3/F4 (brightest).

## Side Light Button

- ◆ The Side Light button should be used to set the color of the side light.
- ◆ Press the side light button to scroll through the side light settings:
  - 0/1/2/3/4.

Setting	Side Light Color
0	OFF
1	Red
2	Blue
3	Red + Blue
4	Red & Blue gradually changed

## Child Lock Button

- ◆ When the unit is ON, holding the POWER button for 10 seconds to activate the Child Lock function. E3 will be displayed that indicate the Child Lock function activate. All function keys are locked. When pressing any button, E3 will be displayed that indicate the Child Lock function activate.
- ◆ To inactivate the Child Lock function, holding the POWER button for 10 seconds.

## Timer Button

- ◆ Timer can be adjusted when heater is ON. It can adjusted from 0 hour (OFF) to 9 hours, press the timer button to scroll through the timer settings, which are: 0.0, 0.5, 1.0, 2.0, 3.0, 4.0, 5.0, 6.0, 7.0, 8.0, 9.0.
- ◆ When TIMER is activated, the symbol will be displayed.
- ◆ When TIMER digital is 0 H, TIMER function is invalidated. The TIMER symbol will automatically disappear.

## Remote Control

- ◆ Functions are same as the touch control except Child Lock and Change the temperature unit.



SKU NO.: 810394426  
ITEM NO.: CAL-174203A

# CARE AND MAINTANCE

---

- ◆ Make sure the unit is turned OFF, unplugged and the heating elements of heater are cool whenever you are cleaning the heater.
- ◆ Clean the metal trim using a water-dampened soft, clean cloth. DO NOT use brass polish or household cleaners as these products will damage the metal trim.
- ◆ The motors used on the fan and the flame generator assembly are pre-lubricated for extended bearing life and require no further lubrication. However, periodic cleaning/vacuuming of the fan/heater and air intake/output vents is recommended.
- ◆ Any other servicing should be performed by an authorized service representative.

**WARNING:** Make sure the power is turned off before proceeding. Any electrical repairs or rewiring of this unit should be carried out by a licensed electrician in accordance with national and local codes.

**WARNING:** If repairing or replacing and electrical component or wiring, the original wire routing, color coding and securing locations must be followed.

**WARNING:** Electrical outlet wiring must comply with local building codes and other applicable regulations to reduce the risk of fire, electrical shock and injury to persons.

**WARNING:** Do not use this fireplace if any part of it has been under water. Immediately call a qualified service technician to inspect te fireplace and replace any part of the electrical system.

**WARNING:** Disconnect power before attempting any maintenance or cleaning to reduce the risk of fire, electrical shock or personal injury.

**WARNING:** During any service of this appliance, the power to the unit must be turned off. First turn the main power switch to the "OFF" position. Then remove the electrical plug from the wall outlet.

**WARNING:** When the heater is not in use, the heater should be stored in a dry location, away from possible damage. The power cord should be stored properly to avoid contact with hot or sharp objects.

## Replacing the Remote Control Battery

When the remote control (F) stops operating or its range seems reduced, it is time to replace the batteries.

- 1.The battery compartment is located on the back of the remote control (F).
- 2.Press the small tab inward as you slide the battery door open and remove the old battery.
- 3.Insert a new CR2025 lithium battery (not included), ensuring the polarities of the battery match the inside of the battery compartment.
- 4.Re-insert the battery door.

### NOTE:

- ◆ The batteries should be removed if the product is to be left unused for a long time.
- ◆ Do not mix old and new batteries.
- ◆ Do not mix alkaline, standard (carbozinc), or rechargeable (nicad, nimh, etc) batteries.
- ◆ Non-rechargeable batteries are not to be recharged. Exhausted batteries are to be removed from the product.



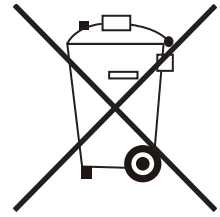
SKU NO.: 810394426  
ITEM NO.: CAL-174203A

# CARE AND MAINTANCE

## Disposal of Used Battery

A battery may contain hazardous substances that could be endangering to environment and human health.

- ◆ This symbol marked on the battery and/or packaging indicates that used battery shall not be treated as municipal waste. Instead it shall be left at the appropriate collection point for recycling.
- ◆ By ensuring the used battery is disposed of correctly, you will help prevent potential negative consequences for the environment and human health. The recycling of materials will help to conserve natural resources.



# TROUBLE SHOOTING GUIDE

PROBLEM	POSSIBLE CAUSE	SOLUTION
1. No power, logs do not glow.	1. The unit does not have power.	1a, Check that unit is plugged into a standard 120 volt outlet. Then make sure power is set at "ON" position.
2. E1 displayed on control panel.	2. The overheat protection device has been engaged.	2. Unplug unit, wait 5-10 minutes, then the sensor will reset itself. Plug the unit back in and turn on the heater. If the problem persists, call customer service.
3. E2 displayed on control panel.	3. The ambient temperature sensor is broken or not working correctly.	3. Unplug unit, wait 5-10 minutes, then the sensor will reset itself. Plug the unit back in and turn on the heater. If the problem persists, call customer service.
4. E3 displayed on control panel.	4. Child lock function activate.	4. To inactivate the Child Lock function, holding the POWER button for 10 seconds.
5. Fan motor continues to blow after unit is powered off.	5. Normal operation.	5. This is a standard feature; the blower runs for an additional 20 seconds to ensure heat will not be trapped inside the unit.
6. Power cord gets warm to the touch.	6. Normal operation.	6. This is normal for a heater appliance as it requires more current to operate. Check the connections of the appliance cord and the outlet. Make sure the plug fits tightly into the outlet. During use, check the plug and outlet frequently to determine if it is HOT; if so, discontinue use of the appliance and consult with a qualified electrician to check or change the overheating outlet(s).

# ONE YEAR LIMITED WARRANTY

---

**PLEASE DO NOT RETURN ANY PRODUCTS TO STORE, ANY MISSING PARTS OF HARDWARE OR ASSEMBLY PROBLEMS, PLEASE CONTACT WITH OUR CUSTOMER SERVICE CENTER AT 888-829-1658. WORKING HOURS: MONDAY-FRIDAY, 9:00AM-5:00PM (PACIFIC STANDARD TIME)**

CARLINGTON INDUSTRIES LIMITED (hereinafter referred to collectively as "the Company") warrants that your new Electric Fireplace is free from manufacturing and materials defects for a period of one (1) year from date of purchase. Subject to the following conditions and limitations:

1. The electric fireplace must be installed and operated at all times in accordance with the installation and operating instructions furnished with the product. Any unauthorized repair, alteration, willful abuse, accident, or misuse of the product shall nullify this warranty.
2. This warranty is non-transferable, and is made to the original owner, provided that the purchase was made through an authorized supplier of the Company.
3. The warranty is limited to the repair or replacement of part(s) found to be defective in material or workmanship – provided that such part(s) have been subjected to normal conditions of use and service – after said defect is confirmed by the Company's inspection. All replacement parts or products will be new, remanufactured, or refurbished.
4. The Company may, at its discretion, require that any defective part(s) be returned in exchange for the replacement part(s).
5. The Company may, at its discretion, fully discharge all obligations with respect to this warranty by refunding the wholesale price of the defective part(s).
6. This warranty does not cover the LED light bar included with the electric fireplace.
7. Any installation, labor, construction, transportation, or other related costs/expenses arising from defective part(s), repair, replacement, or otherwise of same, will not be covered by this warranty, nor shall the Company assume responsibility for the same.
8. The owner/user assumes all other risks – if any – including but not limited to the risk of any direct, indirect or consequential loss or damage arising out of the use, or inability to use the product, except as provided by law.
9. All other warranties – express or implied – with respect to the unit, its components and accessories, or any obligations/liabilities on the part of the Company are hereby expressly excluded.
10. The Company neither assumes, nor authorizes any third party to assume on its behalf, any other liabilities with respect to the sale of the unit.
11. The warranties as outlined within this document do not apply to non-accessories used in conjunction with the installation of this product.
12. This warranty gives you specific legal rights, and you may also have other rights which vary from state to state.

This warranty is void if:

- (a) The fireplace is subjected to prolonged periods of dampness or condensation.
- (b) Any unauthorized alteration, willful abuse, accident, or misuse of the product.
- (c) You do not have the original purchase receipt.



SKU NO.: 810394426  
ITEM NO.: CAL-174203A