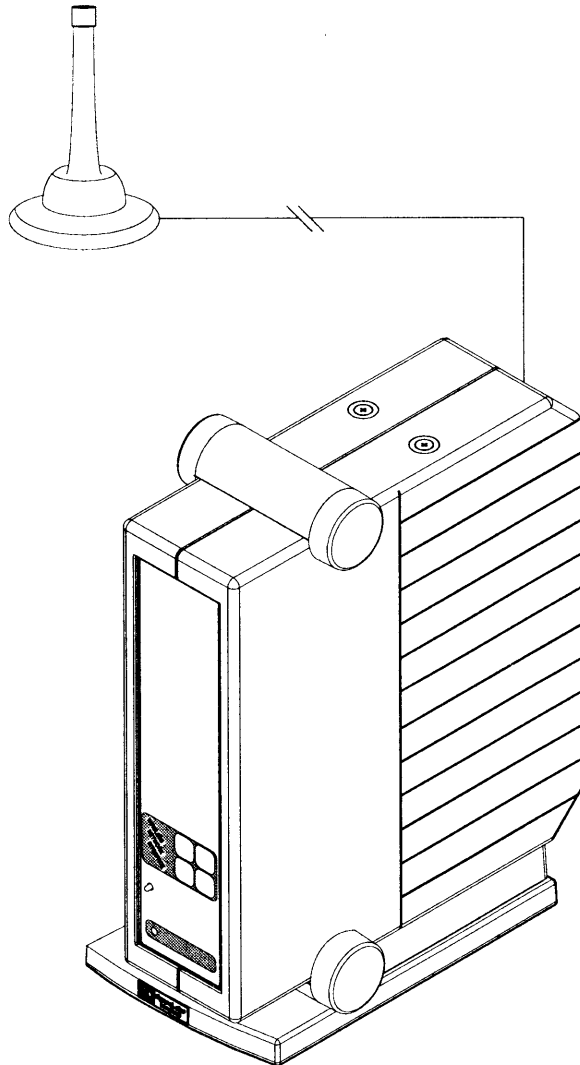


PROOF COPY



Wireless Network Interface (WNI) 90310

- Provides connection between wireless PC Ranger™ (90309-W) and central station
- Employs spread spectrum, frequency-hopping technology for reduced interference during operation
- Multiple WNI's may be used to support additional wireless PC Rangers within each cell
- Mounting options permit the 90310 to be integrated with 90485 module housings
- Up to two waveforms and associated numerics, alarms, trends, and arrhythmia/ST data may be communicated to the central station from each wireless PC Ranger (90309-W)

SPECIFICATIONS

NETWORK INFORMATION

Capacity — 20 waveforms per channel

Channels — 15 channels (300 waveforms) may be used within each cell; channels are selected at the time of installation; 90310 is offered in single or dual channel configurations

Cells — The number of cells is unlimited as long as WNIs with the same channel number do not directly transmit to each other (WNI coverage areas can overlap)

NOTE: Cells with different channel numbers may overlap

WIRELESS COMMUNICATION

Standard Coverage Area — 125 ft. radius (approximately 50,000 sq. ft.), with no walls or windows within coverage area; antenna located at the center of the circle, mounted at a minimum of 6 ft. high

Non-Standard Coverage Area — Requires a site survey, and may include charges for additional equipment

Frequency band — 2.4 to 2.4836 GHz depending on country group

Radio type — Spread spectrum (frequency-hopping)

Output power — 100 mW

Antenna — Pedestal type, omni-directional, half-wave, 0 dB gain

Wireless Network Interface (WNI) 90310

SpaceLabs Medical, Inc.
15220 N.E. 40th Street
P.O. Box 97013
Redmond, WA 98073-9713
(206) 882-3700

PC Ranger is a trademark of SpaceLabs Medical, Inc.

Other brands and product names are trademarks of their respective owners.

All specifications are subject to change without notice.

© SpaceLabs Medical, Inc. 1996

061-0426-00 Rev. C 02/96

SPECIFICATIONS

ELECTRICAL REQUIREMENTS

DC Input Current — 1.0A @ 4.8 - 5.2 VDC
Note: DC power can be supplied by 90486 DC power supply or a PCMS™ central station monitor using one of the following cables:

90310 WNI to 90305 PC2 power supply cable — 4 ft (1.2 m) (requires cable adapter 012-0390-00)
Part number: 175-0795-40

90310 WNI to 90486 DC power supply cable — 3 ft (.9 m) included with 90486
Part number: 012-0387-00

90310 WNI — a maximum of 3 may be sequentially linked with other WNIs to receive and pass through power using the following 1 ft (30 cm) cable
Part number: 012-0392-00

ORDERING INFORMATION

Single Channel — 90310-A
Antenna — 1
Part number: 650-0521-00

Dual Channel — 90310-B
Antennas — 2
Part number: 650-0520-00

PHYSICAL DIMENSIONS

Height: 10.3 in (26.0 cm)
Depth: 9.3 in (23.5 cm)
Width: 3.0 in (7.6 cm)
Weight:
Single channel 4.3lbs (2.0 kg)
Dual channel 4.8 lbs (2.2 kg)

ENVIRONMENTAL REQUIREMENTS

Storage —

Temperature: -40 to 167°F (-40 to 75°C)
Humidity: 10 to 100% @ 32°C condensing (packaged)
Altitude: 0 to 40,000 ft (0 to 12,195 m)

Operating —

Temperature: 50 to 104°F (10 to 40°C)
Humidity: 95% RH @ 30°C, 75% RH @ 40°C
Altitude: 0 to 10,000 ft (0 to 3,048 m)

ELECTROMAGNETIC COMPATIBILITY

Emissions — Class B CISPR 11 and Vfg-243/1991

Immunity —

IEC 801-2: ESD, 8kV contact/15kV air
IEC 801-3: RF Fields, 20 volts/meter, 100 kHz to 1 GHz
IEC 801-4: Burst, 1kV data interface
IEC 1000-4-8: Magnetic Field (50/60 Hz), 60 Amps/meter
Mil-Std 461D: CS114, 120 dBμA 10 kHz to 400 MHz
Mil-Std 461D: RS103, 10 volts/meter, 1 to 10 GHz

REGULATORY APPROVALS

ETL listed and meets standard UL544 for electrical safety; approved by CSA, TUV and SEV; CE marked in accordance with the Medical Device Directive, 93/42/EEC

This device complies with part 15 of the FCC Rules and with RSS-210 of Industry and Science Canada. Operation is subject to the following two conditions: (1) this device may not cause harmful interference, and (2) this device must accept any interference received, including interference that may cause undesired operation.

ACCESSORIES

Single Pedestal Mount

Part Number: 016-0365-00

Double Pedestal Mount

Part Number: 016-0364-00