

# HYDRA-RIB™

A Huffy Sports Company

WRITE IN YOUR MODEL NUMBER:

Customer Service Center  
N53 W24700 South Corporate Circle  
Sussex, WI 53089  
U.S.A.

## In-Ground Basketball System Owners Manual

### ⚠ SAFETY INSTRUCTIONS ⚠

FAILURE TO FOLLOW THESE SAFETY INSTRUCTIONS MAY RESULT IN SERIOUS INJURY, PROPERTY DAMAGE AND WILL VOID WARRANTY.

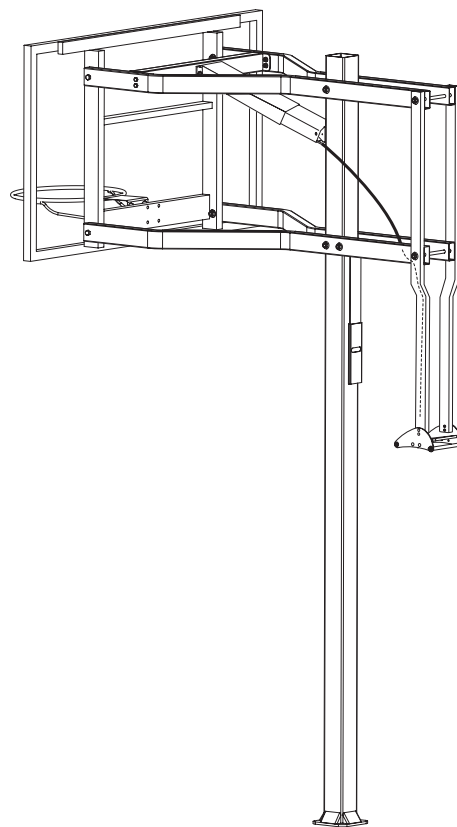
*Owner must ensure that all players know and follow these rules for safe operation of the system.*

To ensure safety, do not attempt to assemble this system without following the instructions carefully. Proper and complete assembly, use and supervision is essential for proper operation and to reduce the risk of accident or injury. A high probability of serious injury exists if this system is not installed, maintained, and operated properly. Check entire box and inside all packing material for parts and/or additional instructional material. Before beginning assembly, read the instructions and identify parts using the hardware identifier and parts list in this document.

- If using a ladder during assembly, use extreme caution.
- Two (2) people are recommended for this operation.
- Seat the pole sections properly. Failure to do so could allow the pole sections to separate during play.
- Before digging, contact utility company to locate underground power cables, gas, and water lines. Ensure there are no overhead power lines within 20 ft. (7 m) radius of pole location.
- Climate, corrosion, excessive use, or misuse could result in system failure.
- If technical assistance is required, contact Huffy Sports.
- Minimum operational height is 6'6" (1.98 m) to the bottom of backboard.
- This equipment is intended for home recreational use only and NOT excessive competitive play.
- Read and understand the warning label affixed to pole. Label is shown on page 2.
- The life of your basketball pole depends on many conditions. The climate, placement of the pole, the location of the pole, exposure to corrosives such as pesticides, herbicides or salts are all important.
- Adult supervision is recommended when adjusting height.
- Serious injury could occur if teeth/face come in contact with backboard, net, or rim.

*Most injuries are caused by misuse and/or not following instructions.  
Use caution when using this system.*

For more information on assembly, placement, proper use and maintenance, visit The American Basketball Council website at <http://www.smarthoops.com>.



### REQUIRED TOOLS AND MATERIALS:

- Three People
- Tape Measure
- Shovel and Post Hole Digger
- Concrete, 1260 lb. (572 kg) and Container to Mix
- Carpenter's Level
- (Two) Step Ladder 8 ft. (2.4 m)
- Wrenches: (Two) 1/2, 9/16, 3/4 (One) 3/8 (One) 1/4
- Flat Screwdriver
- Pliers

### IMPORTANT! Have any questions?...Don't go back to the store!

We appreciate your purchasing one of our many fine products. We are sure that you will be very satisfied with your selection. Although great care and effort have been taken, occasionally problems may occur. To ensure prompt and correct handling of any problems, or to answer any questions, please contact our Toll-Free Customer Service Number listed below. **Service will be quicker if you have your Model Number (found on carton) and assembly instructions ready when calling. PLEASE WRITE YOUR MODEL NUMBER IN THE SPACE PROVIDED ABOVE.**

Toll-Free Customer Service Number for U.S: 1-800-558-5234

Internet Address: <http://www.hydra-rib.com>



# WARNING

FAILURE TO FOLLOW THESE WARNINGS MAY RESULT IN SERIOUS INJURY AND/OR PROPERTY DAMAGE.

*Owner must ensure that all players know and follow these rules for safe operation of the system.*

- See instruction manual for proper installation.
- DO NOT HANG on the rim or any part of the system including backboard, support braces or net.
- During play, especially when performing dunk type activities, keep player's face away from the backboard, rim and net. Serious injury could occur if teeth/face come in contact with backboard, rim or net.
- Do not slide, climb, shake or play on pole.
- When adjusting height, keep hands and fingers away from moving parts.
- Do not allow children to move or adjust system.
- During play, do not wear jewelry (rings, watches, necklaces, etc.); objects may entangle in net.
- Keep organic material away from pole base. Grass, litter, etc. could cause corrosion and or deterioration.
- Check pole system for signs of corrosion (rust, pitting, chipping) and repaint with exterior enamel paint. If rust has penetrated through the steel anywhere, replace the pole immediately.
- Check system before each use for proper ballast, loose hardware, excessive wear and signs corrosion and repair before using.
- Check system before each use for instability.
- Never play on damaged equipment.
- Keep pole top covered with cap at all times.

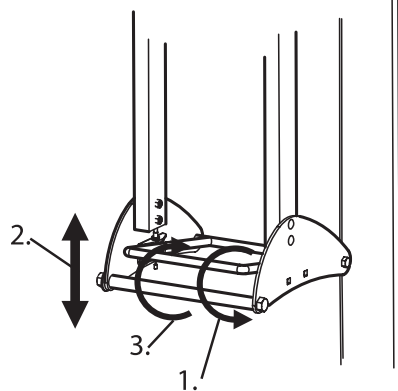
## HYDRA-RIB™

1-800-558-5234

201255 2/99

37

### HEIGHT ADJUSTMENT

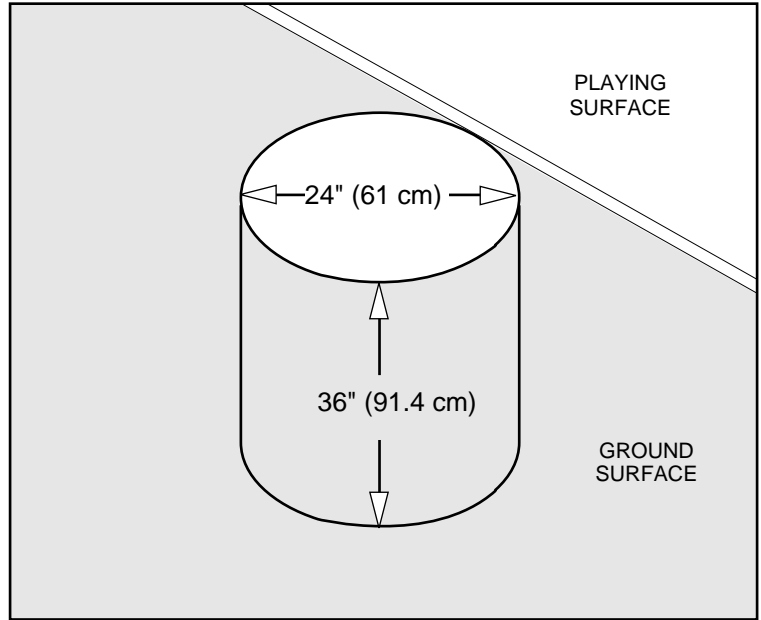
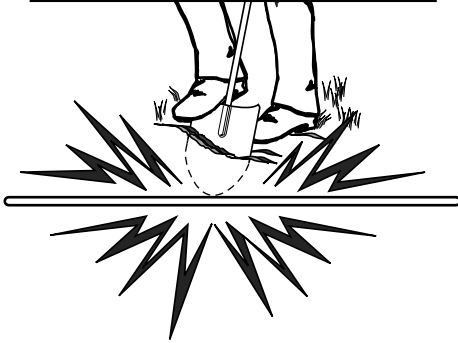


1. Grasp handle and squeeze trigger
2. Move up or down to desired height.
3. Release trigger at desired height.

201512 06/02

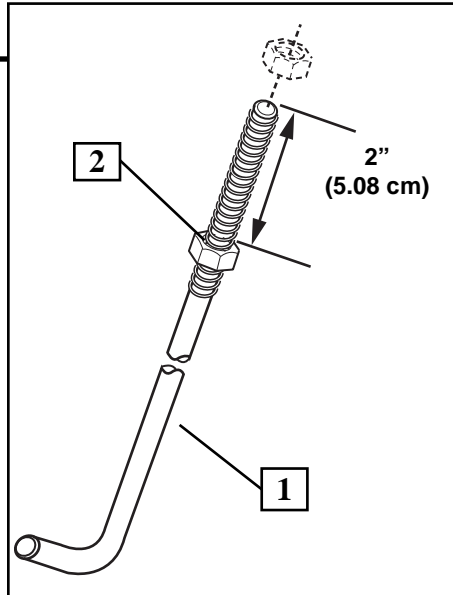
1. Ensure ground is level with playing surface, then dig pole hole.

**⚠ WARNING**  
**CONTACT UTILITIES**  
**BEFORE DIGGING.**



2. Install nut (2) to J-bolt (1) as shown. Repeat procedure for other three J-bolts (1).

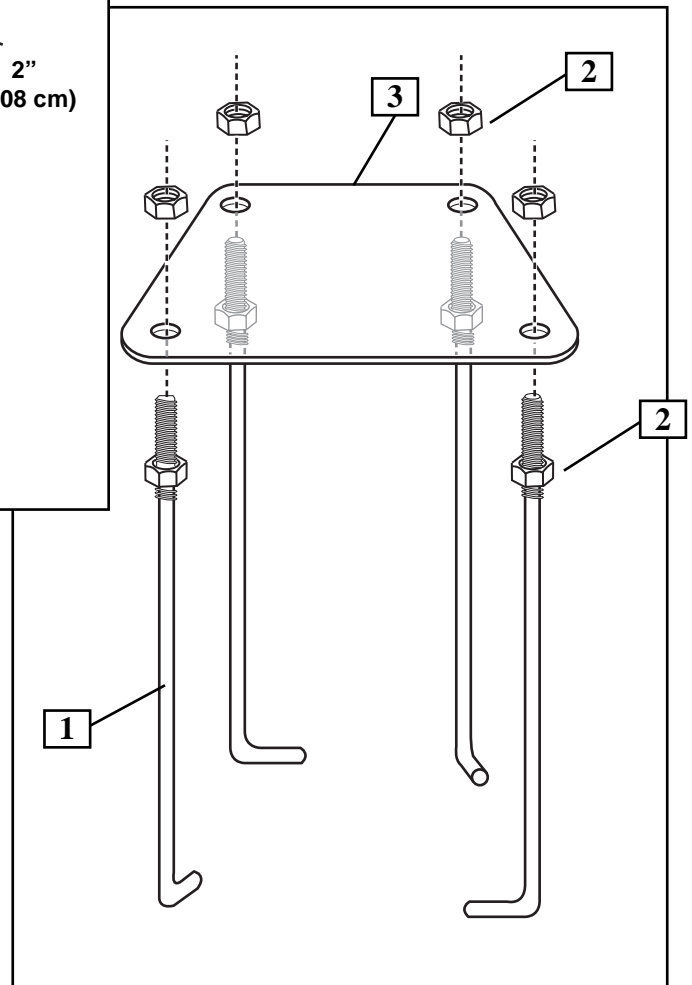
**IMPORTANT!**  
 Make sure nuts are 2"  
 (5.08 cm) from top of J-Bolts.

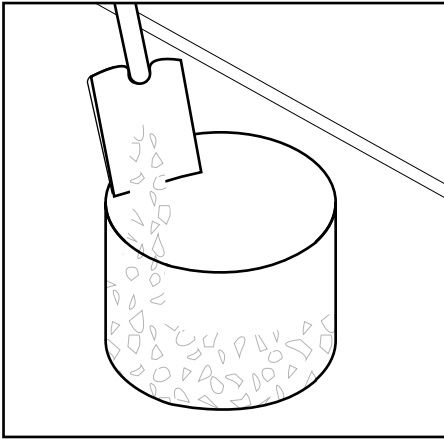


3. Install threaded ends of J-bolts (1) through holes in mounting plate (3) and secure as shown.

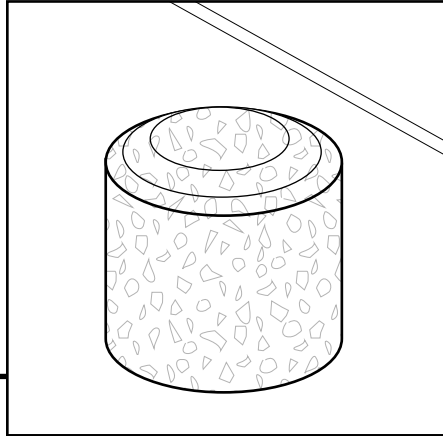
**NOTE:** Make sure J-bolts (1) are in the illustrated position.

**NOTE:** Nuts on the top of plate are used for leveling the pole after system is fully assembled.

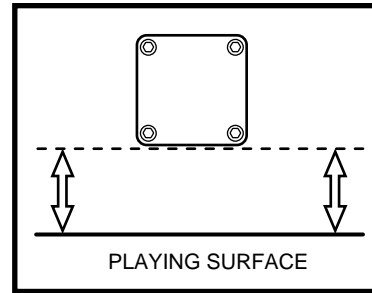




**4.** Fill hole with concrete. Tamp down concrete to release air pockets and build drainage hill.



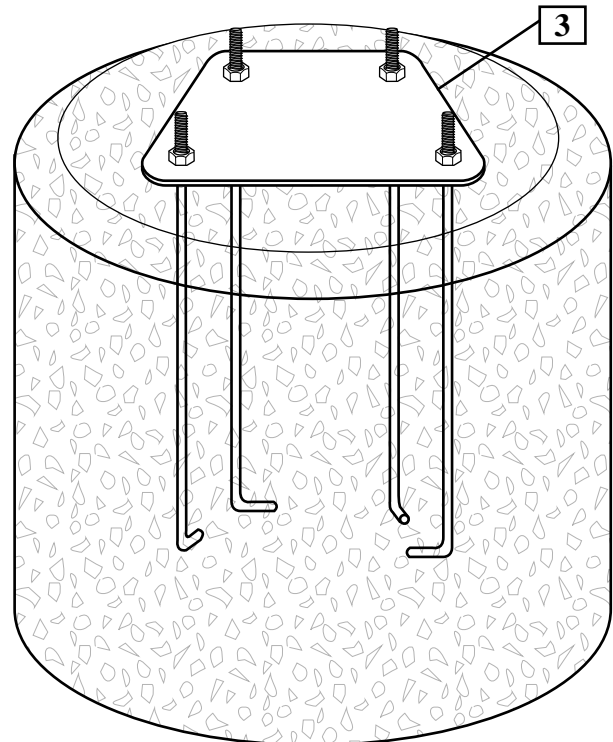
**5.** Insert J-bolts (1) from mounting plate (3) into cement as shown. Move assembly around to release any air pockets in cement, then rest mounting plate on cement drainage hill. Apply some pressure to level mounting plate on top of drainage hill. Level mounting plate and square with playing surface. Clean off any excess cement on mounting plate at this time.



**NOTE:** Check leveling of mounting plate (3) several times while concrete is curing.

**IMPORTANT!**  
Front of mounting plate (3) must be parallel with playing surface.

**⚠ WARNING**  
DO NOT PROCEED TO STEP 6 UNTIL CONCRETE HAS CURED FOR A MINIMUM OF 72 HOURS. ALLOW ADDITIONAL TIME FOR COLD, WET OR HUMID WEATHER.



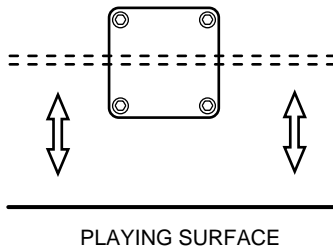
# ⚠ WARNING

TWO PERSON MINIMUM REQUIRED FOR THIS PROCEDURE. NOT FOLLOWING RECOMMENDATION MAY RESULT IN SERIOUS BODILY INJURY AND/OR PROPERTY DAMAGE.

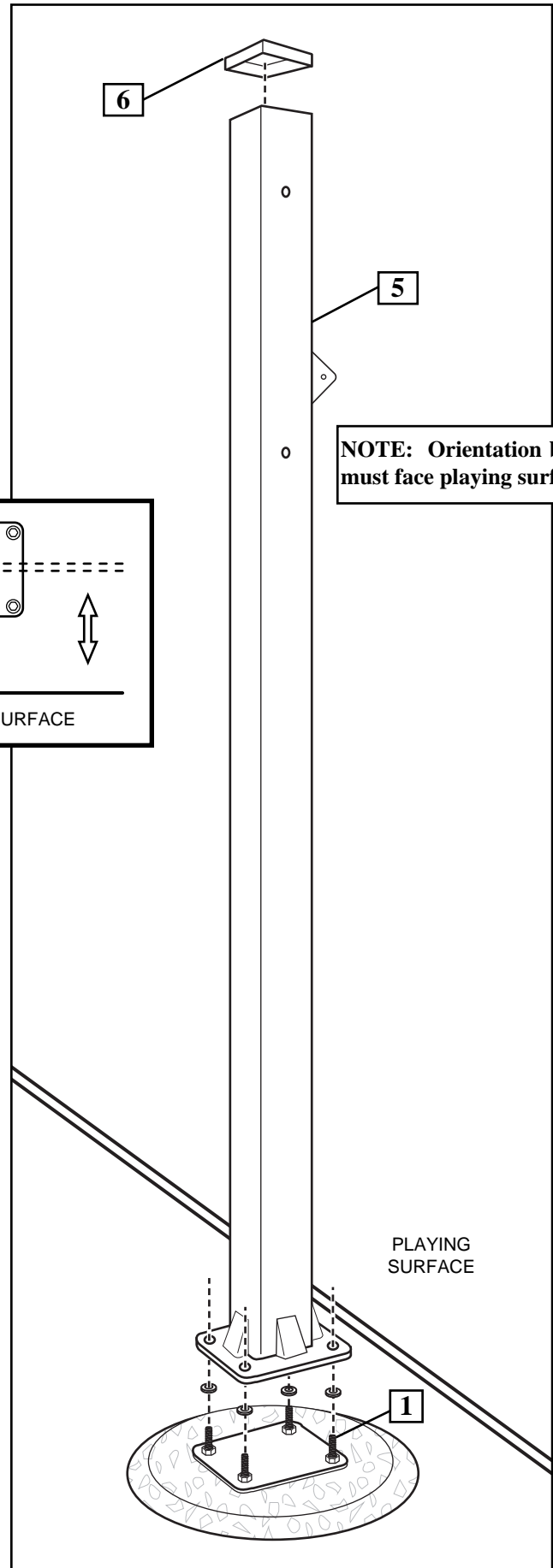
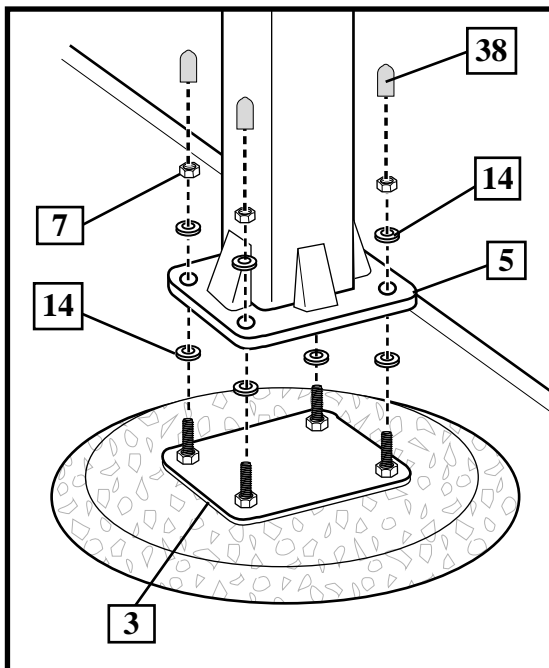
6. Upright pole (5). Assemble lower pole flange onto protruding J-bolts (1) as shown. The flange will then rest on the nuts (2) from Step 2.

## IMPORTANT!

Holes in pole must be parallel with playing surface.



7. Secure pole (5) flange to mounting plate (3) as shown. Tighten completely.



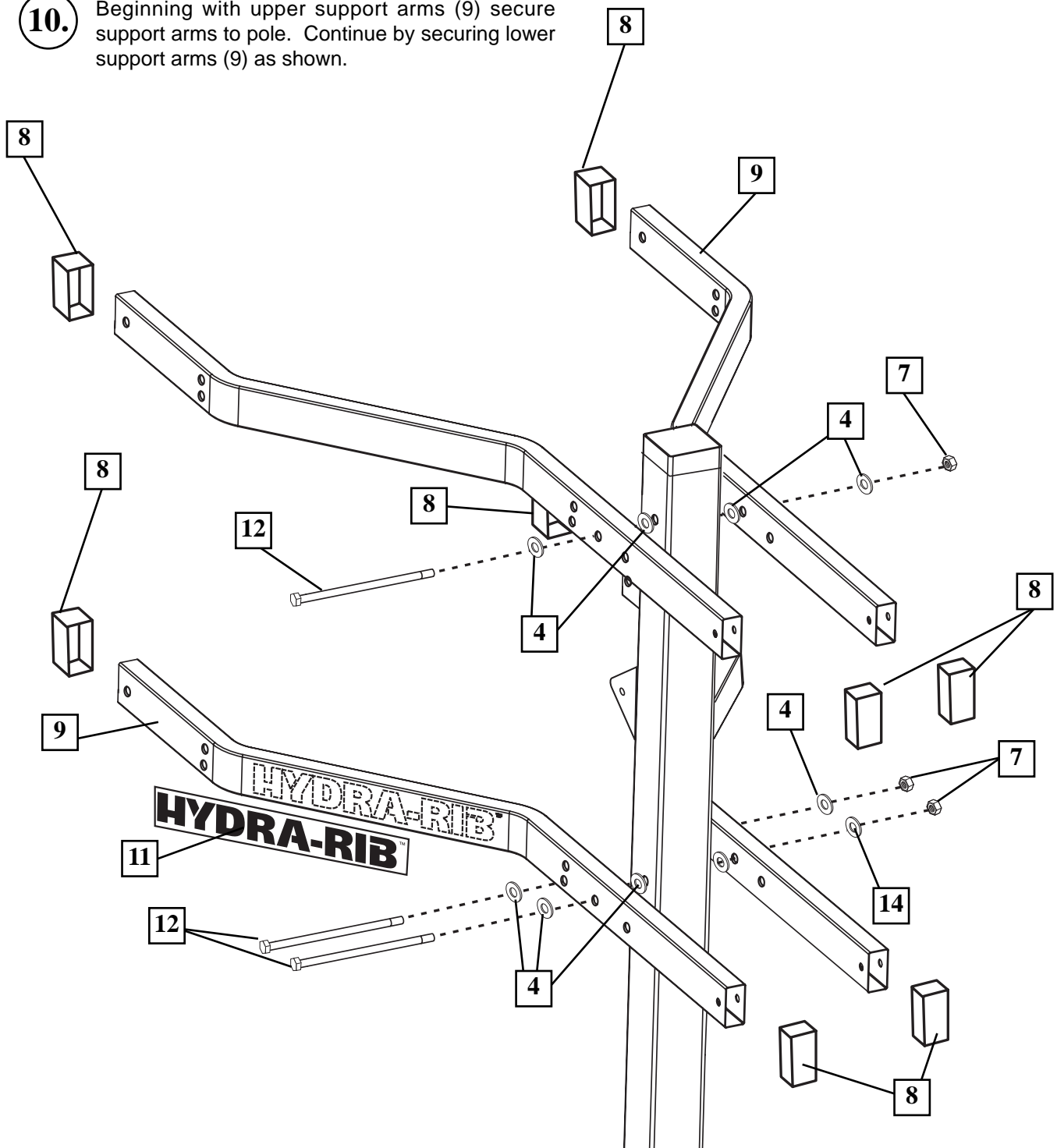
NOTE: Orientation bracket must face playing surface.

8. Insert caps (8) into end of each support arm (9) as shown. Tap firmly in position.

9. Apply logo label (11) to lower support arms (9) as shown. Repeat for opposite side.

10. Beginning with upper support arms (9) secure support arms to pole. Continue by securing lower support arms (9) as shown.

**⚠ WARNING**  
TWO PERSON MINIMUM REQUIRED FOR THIS PROCEDURE. NOT FOLLOWING RECOMMENDATION MAY RESULT IN SERIOUS BODILY INJURY AND/OR PROPERTY DAMAGE.

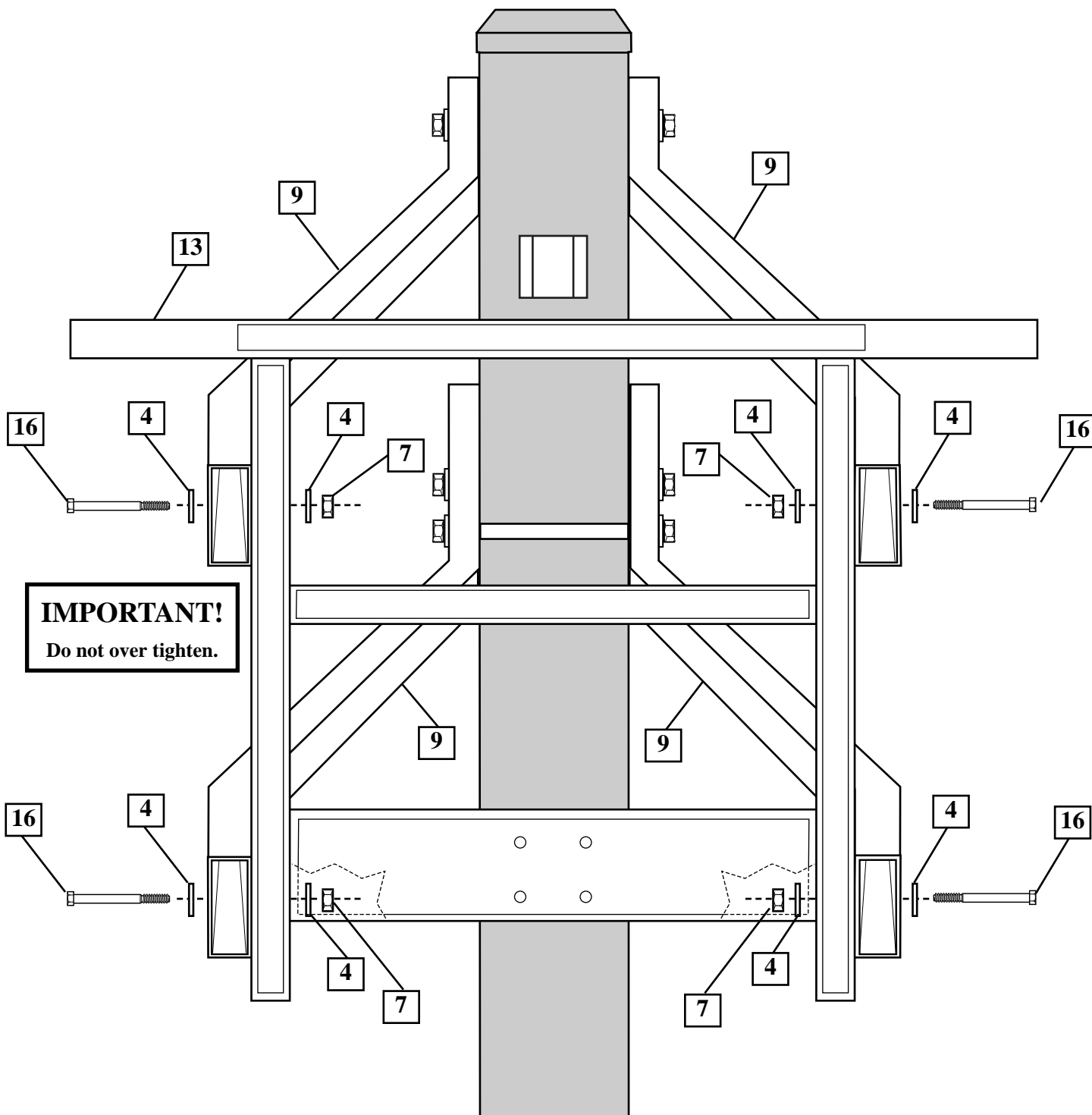


11.

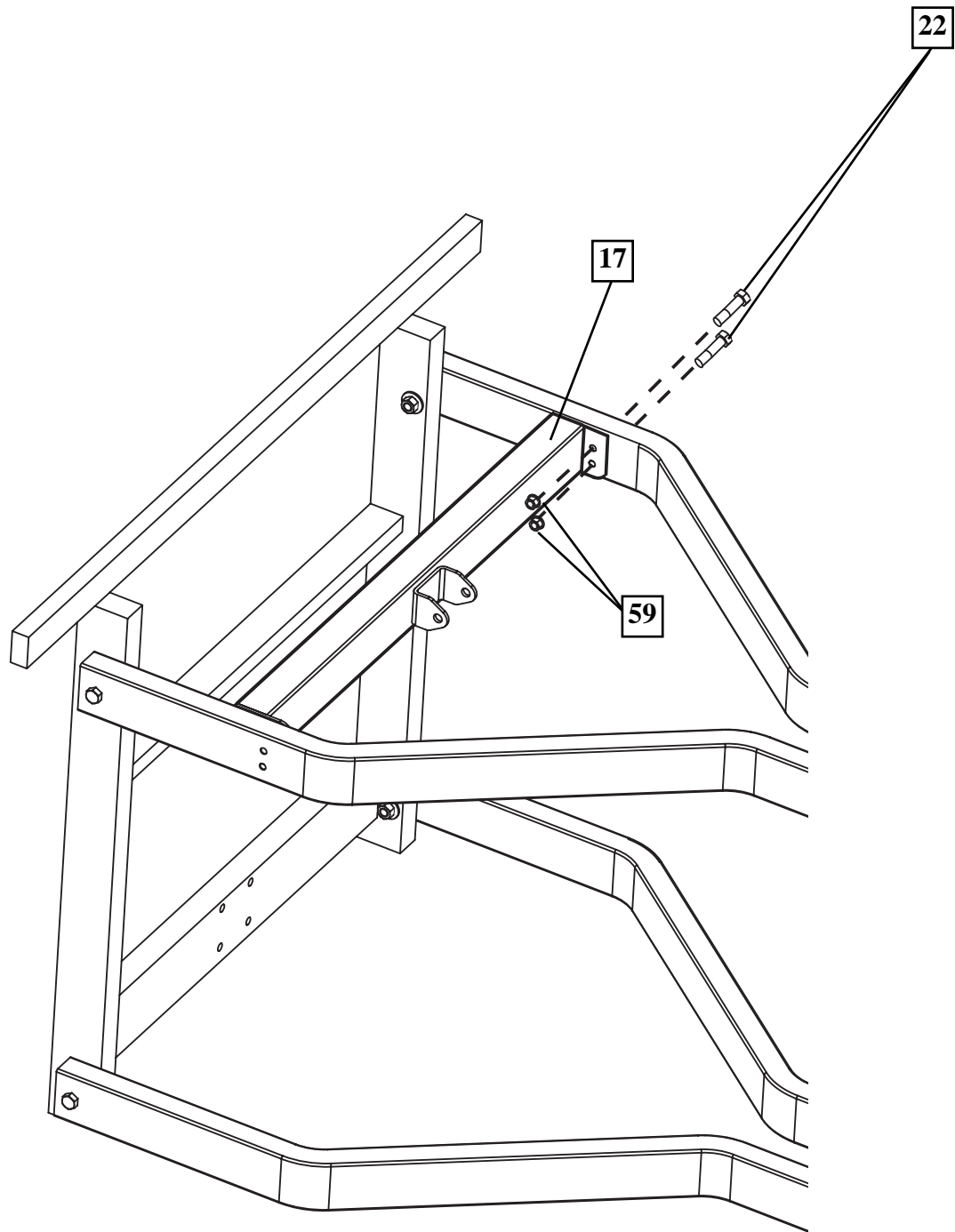
Secure H-frame (13) to support arms (9).

# ⚠ WARNING

TWO PERSON MINIMUM REQUIRED FOR THIS PROCEDURE. NOT FOLLOWING RECOMMENDATION MAY RESULT IN SERIOUS BODILY INJURY AND/OR PROPERTY DAMAGE.

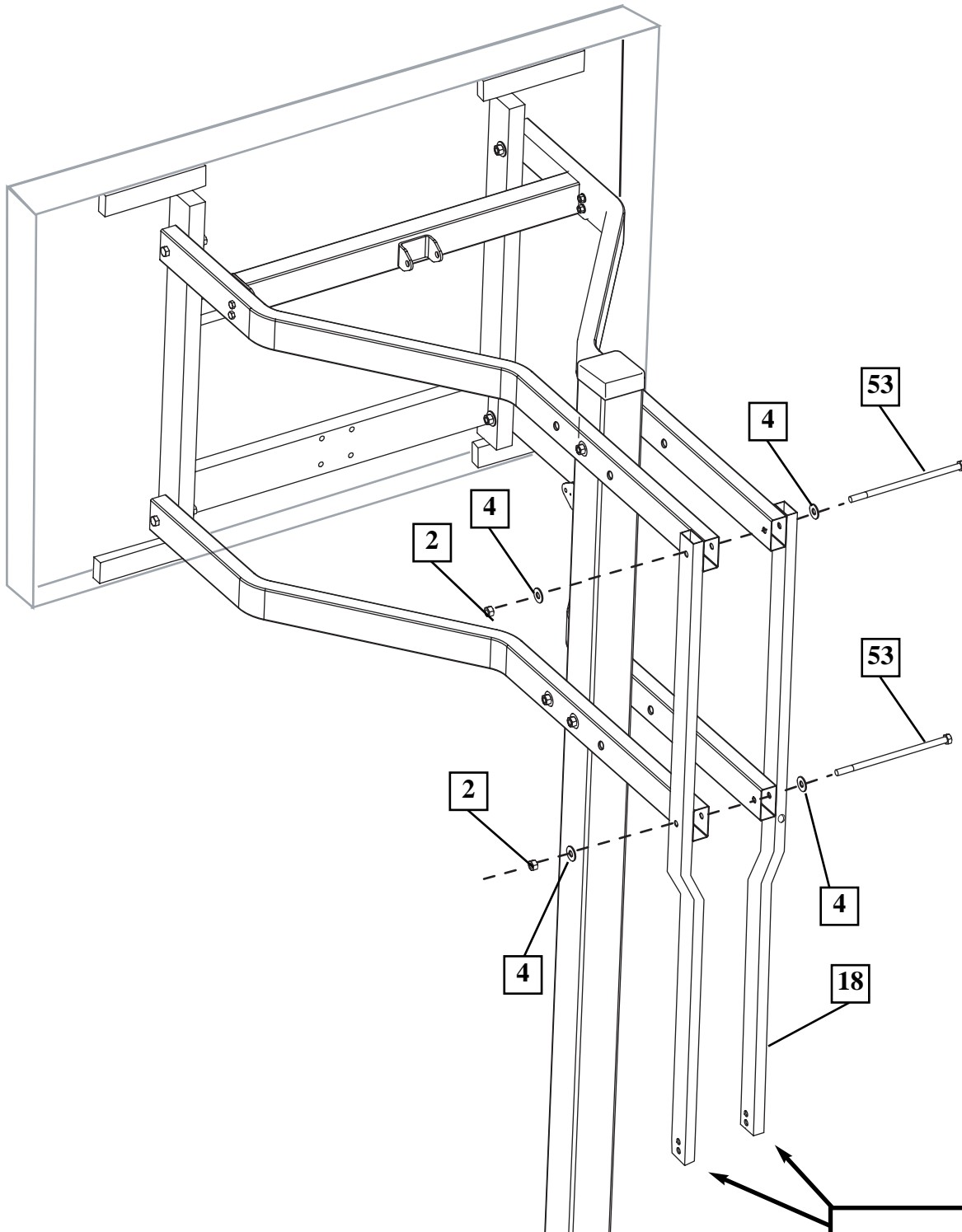


12. Install cross brace (17) with nuts (59) and bolts (22) as shown. Repeat for opposite side.





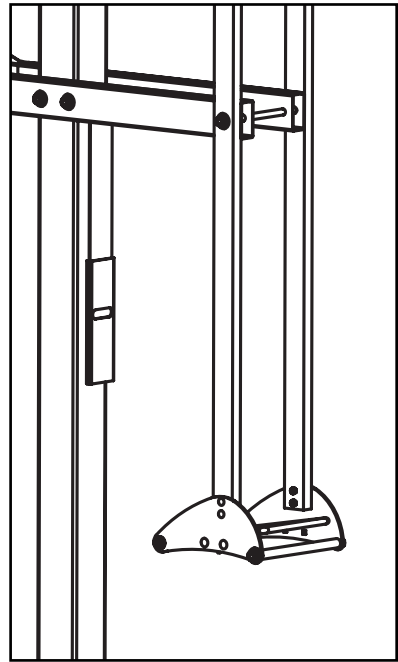
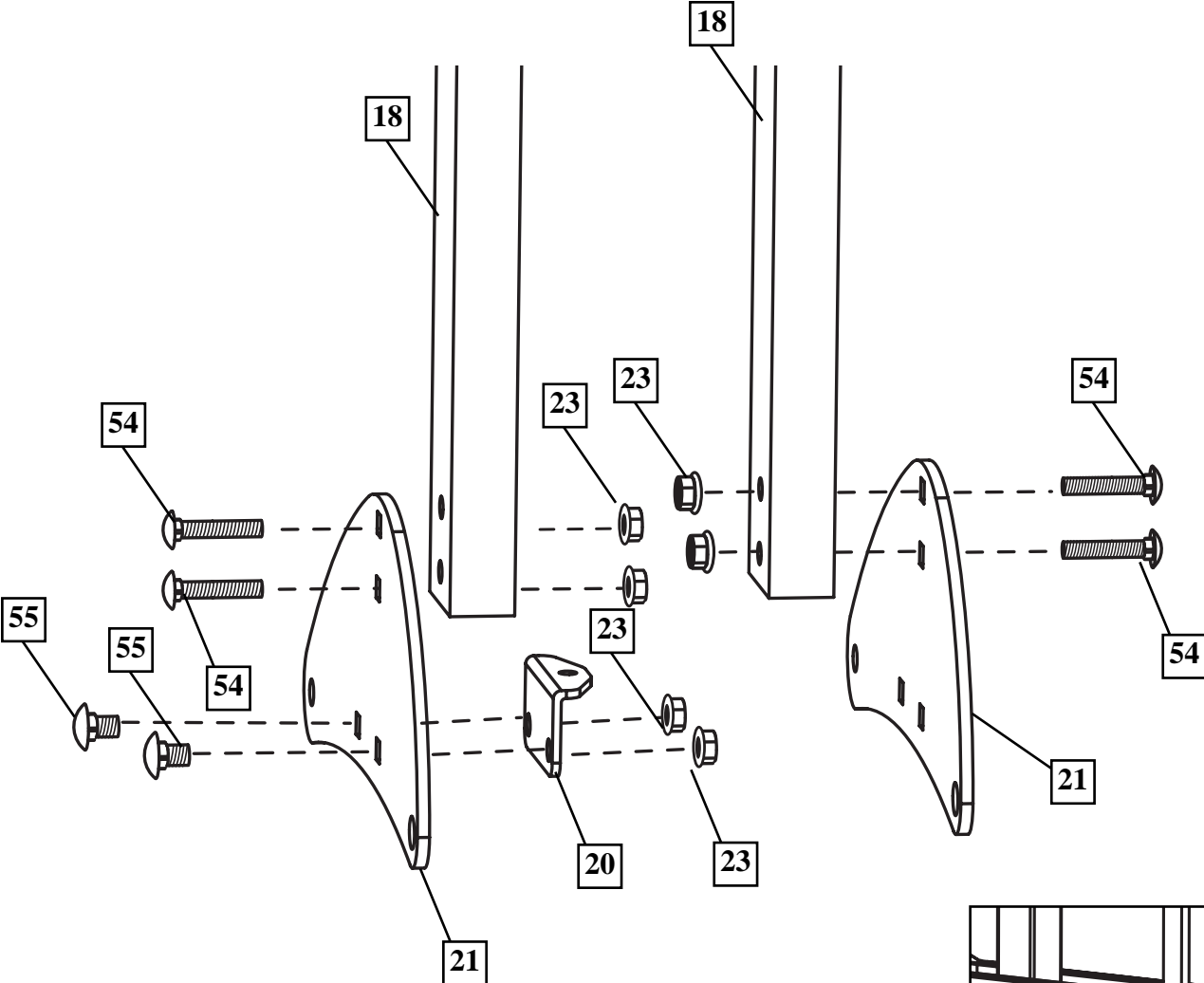
- 13.** Install vertical supports (18), nuts (2), washers (4) and bolts (53) as shown.



**IMPORTANT!**  
The end with the double holes need to be toward the playing surface

**14.**

Attach handle plates (21) to vertical supports (18) as shown. Attach cable bracket (20) to handle plates (21) as shown.

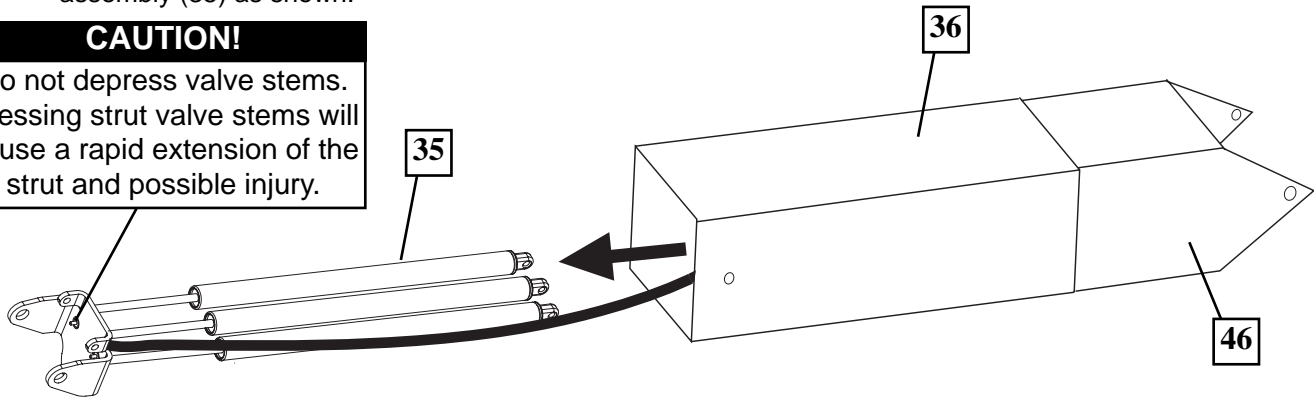


**SIDE VIEW**

- 15.** Remove tie strap that secures cable to strut assembly. Slide shroud (36, 46) over strut assembly (35) as shown.

**CAUTION!**

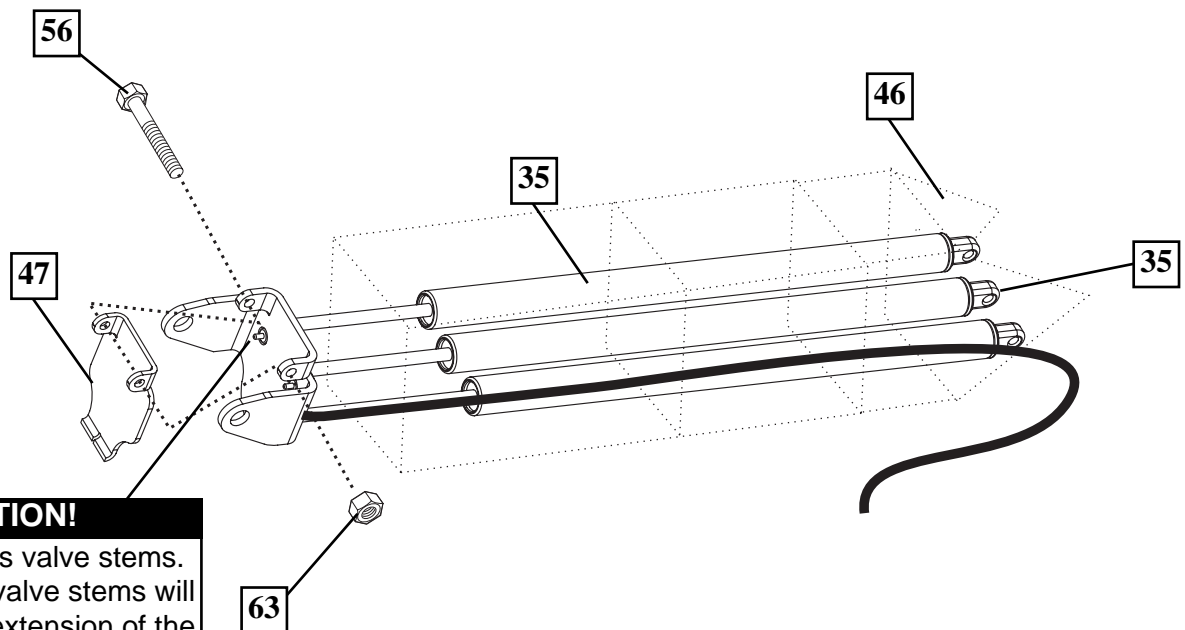
Do not depress valve stems. Pressing strut valve stems will cause a rapid extension of the strut and possible injury.



- 16.** Mount activator bracket (47) to strut assembly (35) with hardware as shown.

**NOTE:**

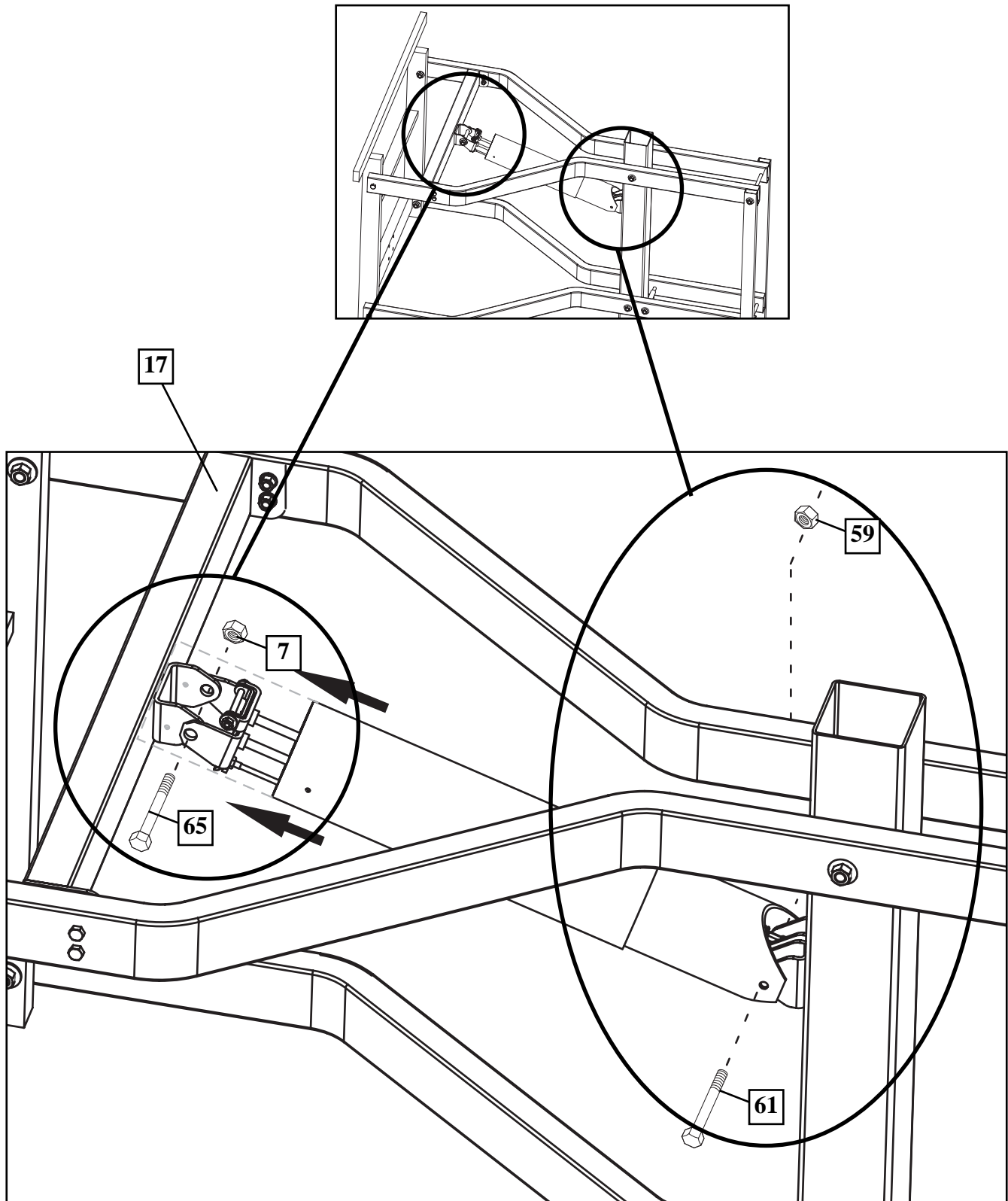
DO NOT OVERTIGHTEN NUT (52) ONTO BOLT (56). BRACKET (47) SHOULD MOVE FREELY.



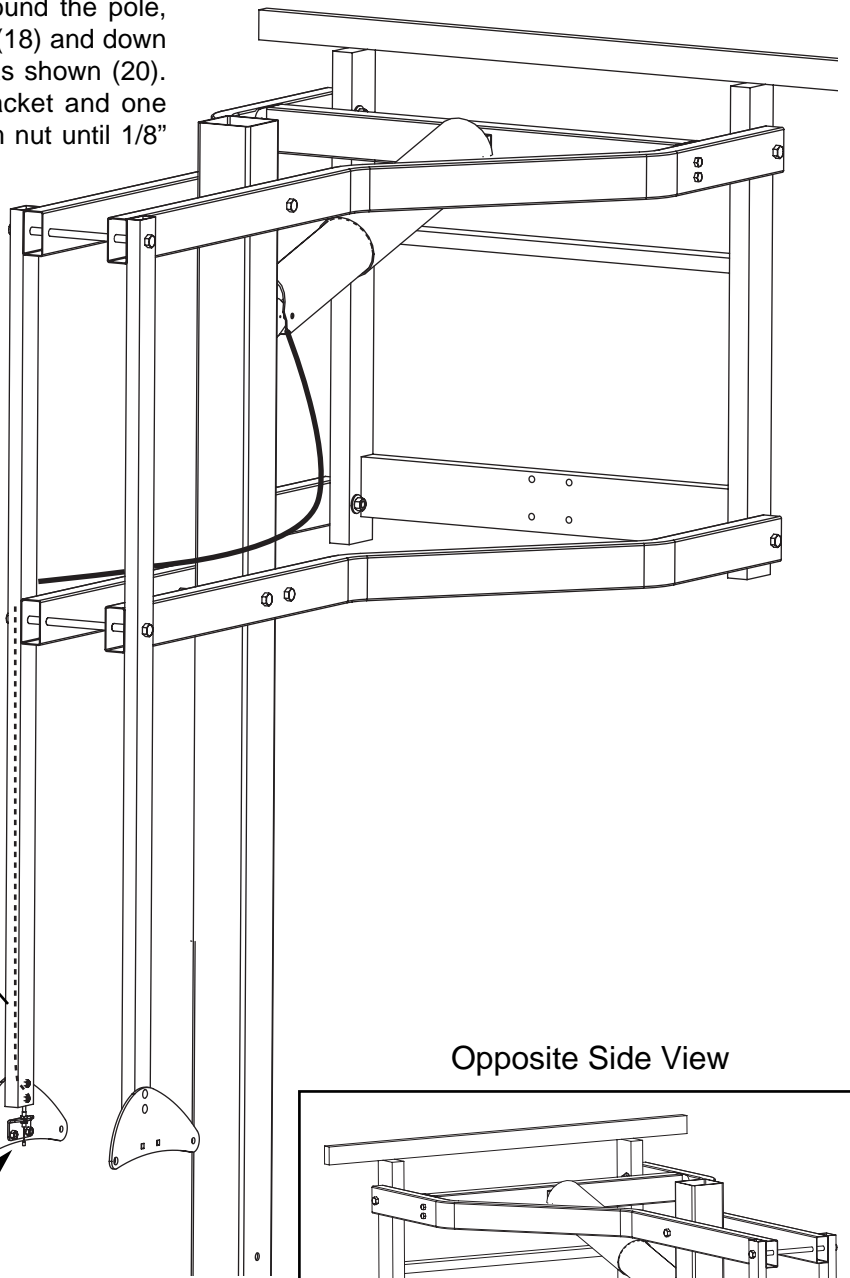
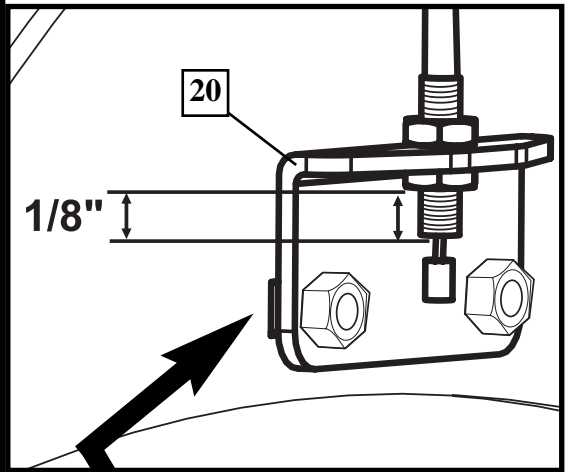
**CAUTION!**

Do not depress valve stems. Pressing strut valve stems will cause a rapid extension of the strut and possible injury.

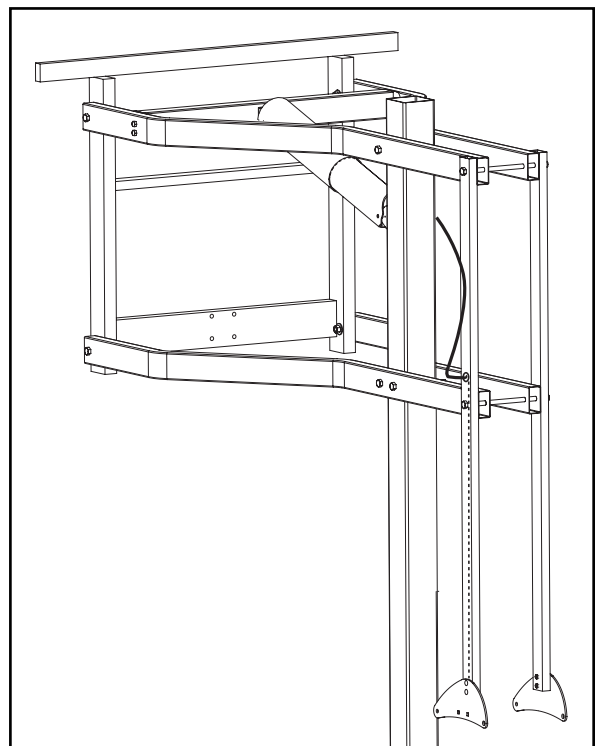
17. Attach strut/shroud assembly (17) and pole as shown.



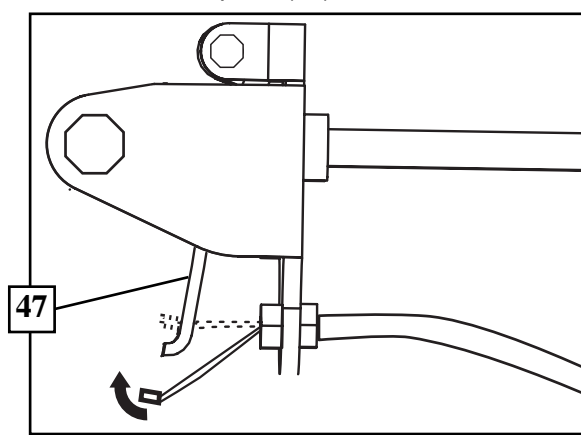
- 18.** Run the cable from strut assembly around the pole, through the hole in the vertical support (18) and down through the hole in the cable bracket as shown (20). Place one nut on top of the cable bracket and one below as illustrated. Tighten the bottom nut until 1/8" of thread is exposed as illustrated.



Opposite Side View

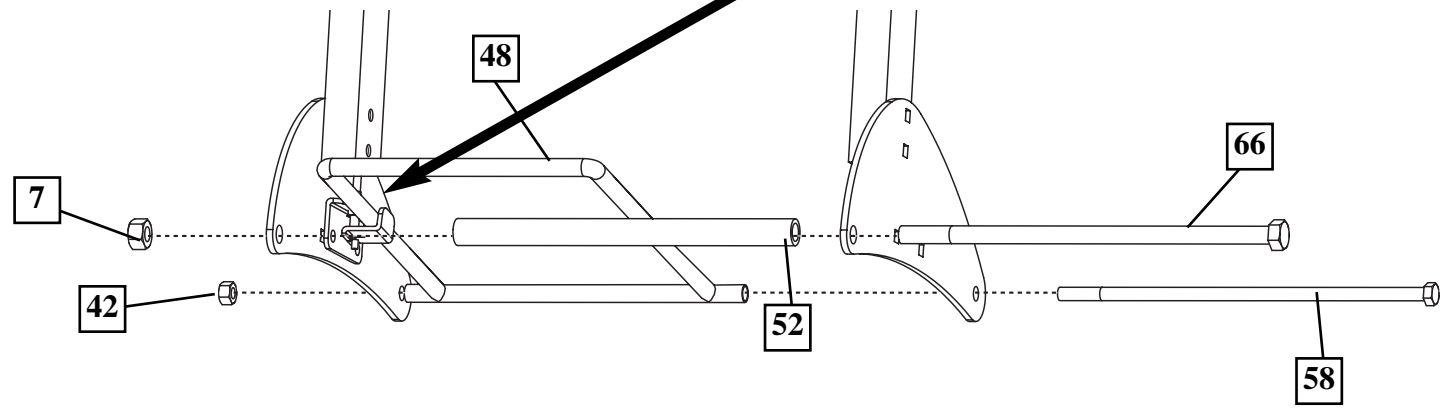
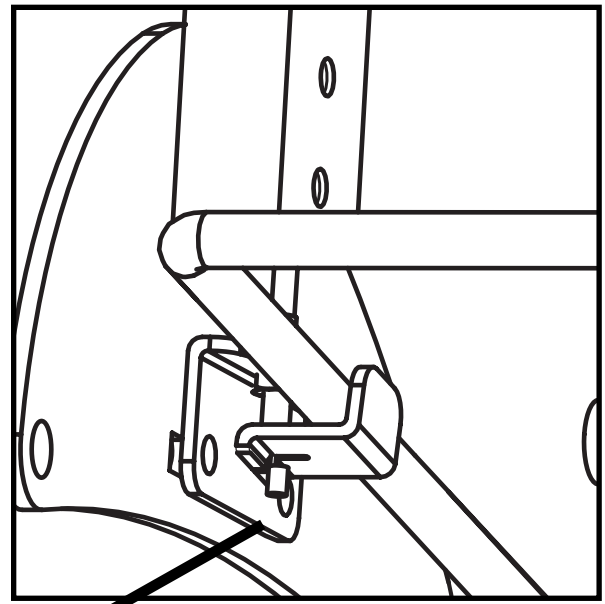


**19** A. Carefully attach cable end to actuator plate (47).



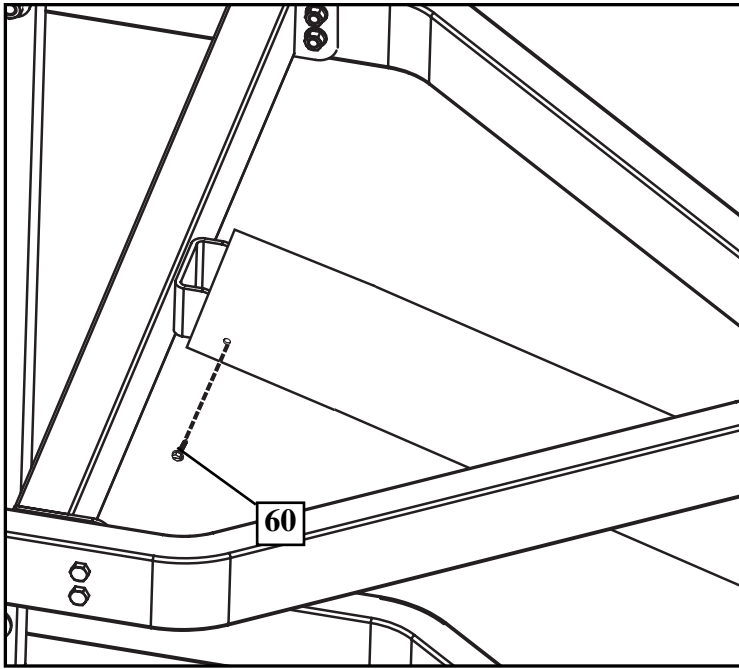
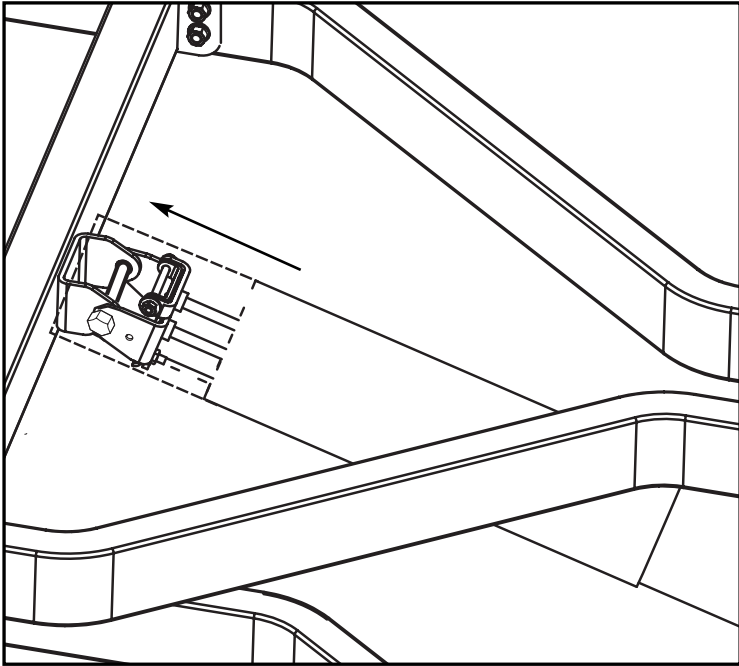
**19** B. Begin trigger assembly by pulling wire through slot on trigger(48) as shown. Complete this assembly by installing trigger to plates with bolt (53) and bolt (58).

**NOTE:**  
DO NOT OVERTIGHTEN  
NUT (42) ONTO BOLT (58).  
TRIGGER (48) SHOULD  
MOVE FREELY.



20.

Slide shroud over strut assembly and attach shroud with screw (60) as shown.



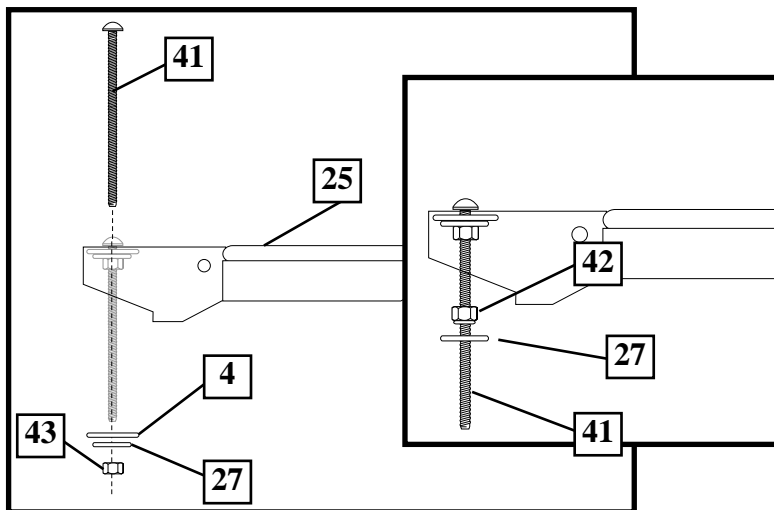
## RIM ASSEMBLY & INSTALLATION

21.

Install carriage bolt (41) through rim (25), washers (4) and (27) as shown. Tighten nut (43) completely. Place nut (42) about half-way up carriage bolt (41) as shown.

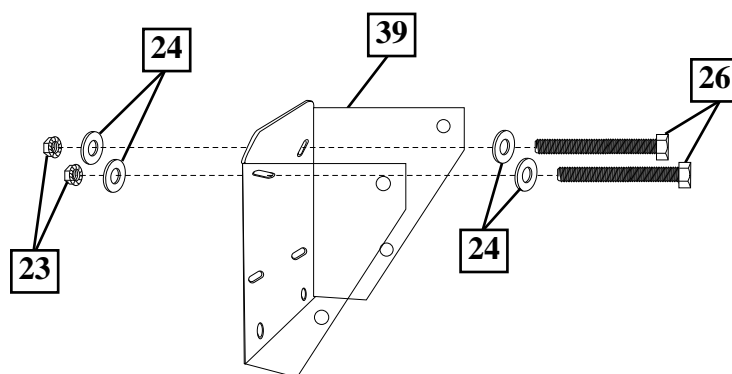
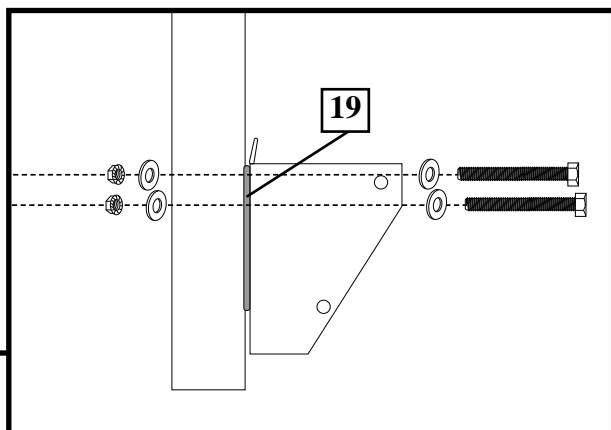
### ⚠ WARNING

TWO PERSON MINIMUM REQUIRED FOR THIS PROCEDURE. NOT FOLLOWING RECOMMENDATION MAY RESULT IN SERIOUS BODILY INJURY AND/OR PROPERTY DAMAGE.



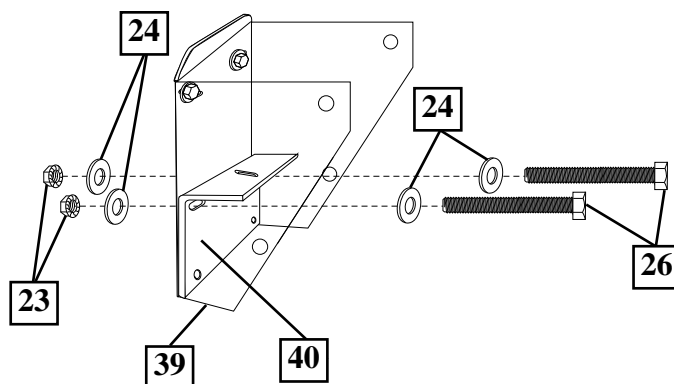
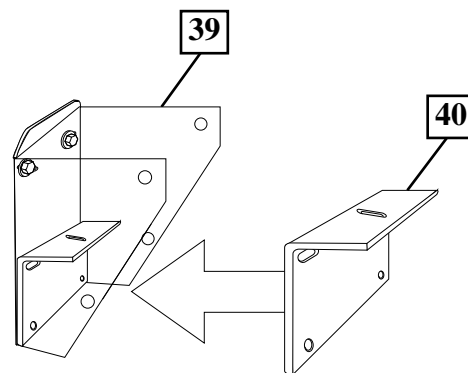
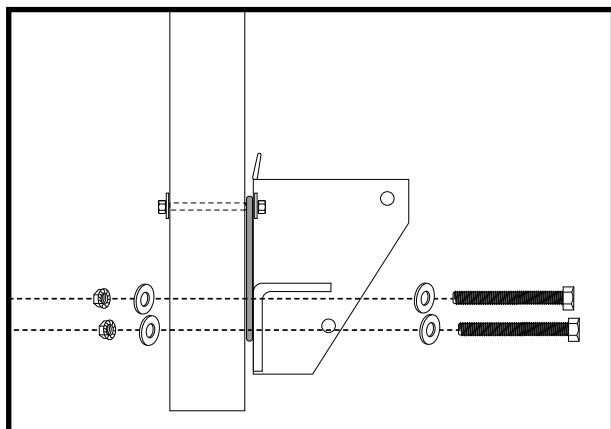
22.

Attach foam pad (19) to Backboard. Attach bracket (39) to backboard and support structure by inserting bolts (26) and washers (24) through top holes in bracket (39), Tighten nuts (23) completely.



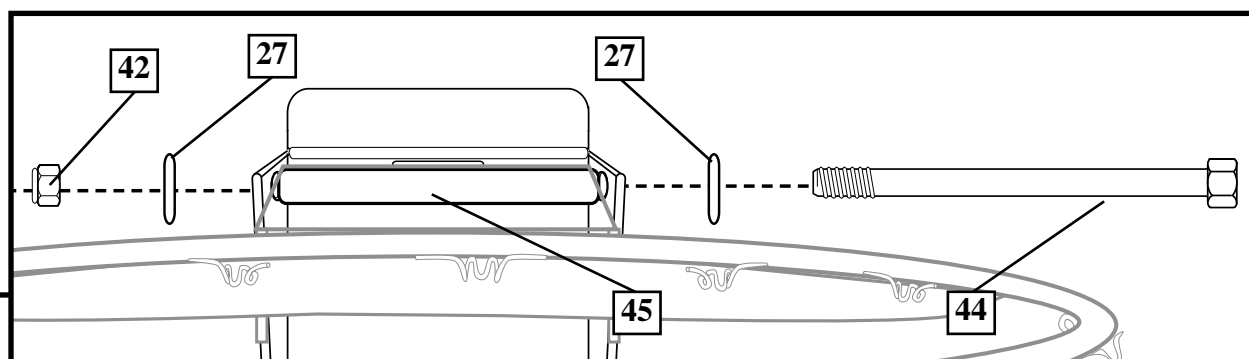
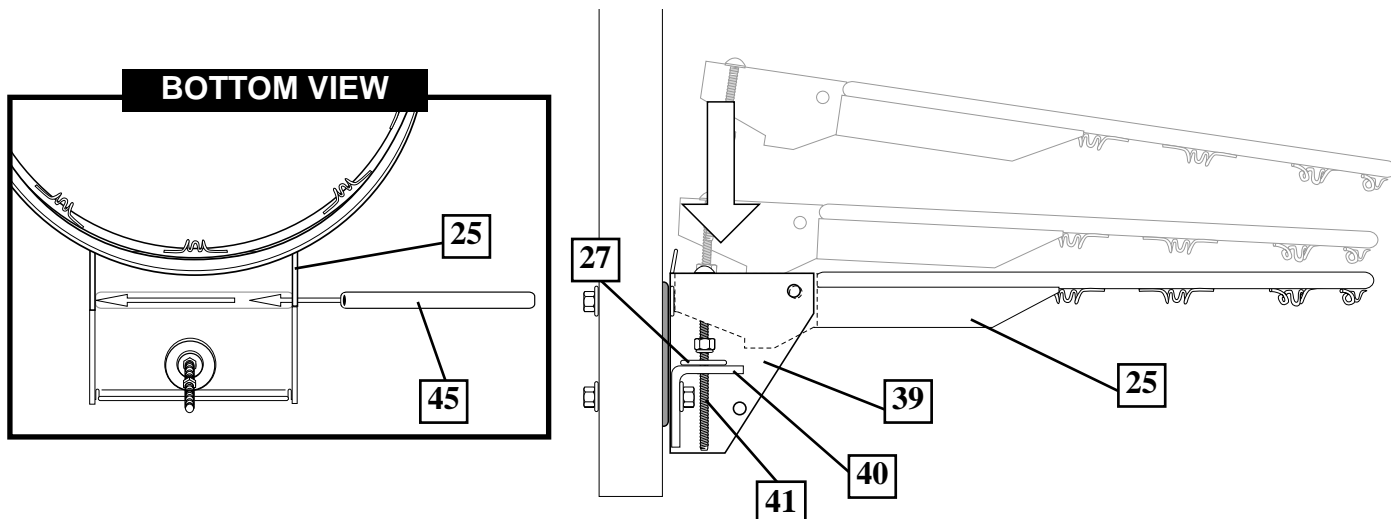
23.

Insert inner bracket (40) into bracket (39) as shown. Insert bolts (26) and washers (24) through top holes of inner bracket (40) as shown. Now tighten backboard/frame nuts (23) completely.



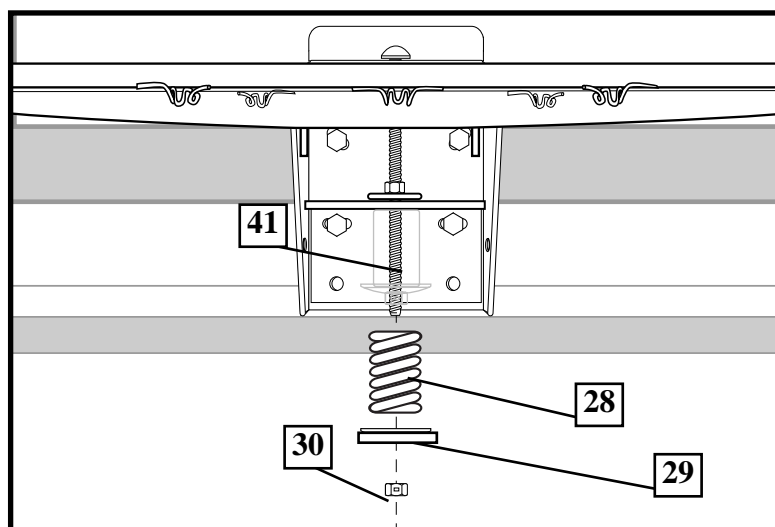


24. Insert spacer (45) through rim assembly (25). Place rim assembly on bracket (39) so that carriage bolt (41) is inserted through hole on top of inner bracket (40). Install hex bolt (44), washers (27) and nut (42) through top holes on bracket (39) through spacer (45) as shown. Tighten completely.



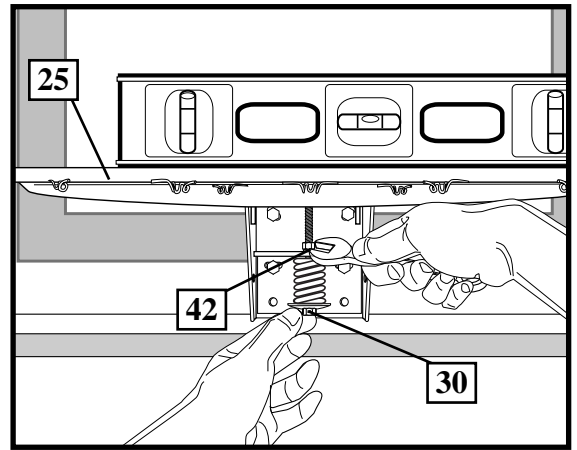
25. Install spring (28), concave washer (29) and center lock nut (30) to carriage bolt (41) as shown.

**NOTE**  
Do not over tighten as rim will not flex properly. See leveling instructions to determine how much to tighten nuts (42) and (30).



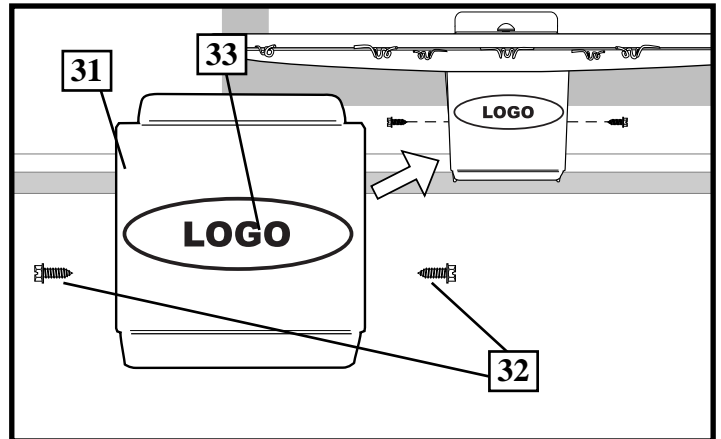
**26. LEVELING INSTRUCTIONS:**

Place level on rim (25) and adjust nut (42) until level. Tighten nut (30) to set rim tension for playing.



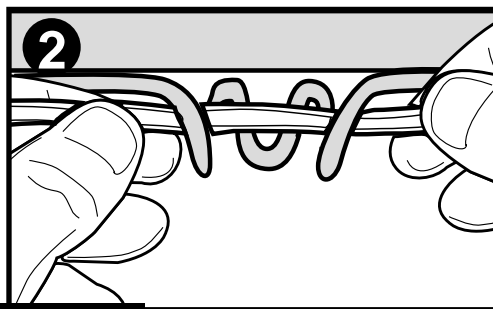
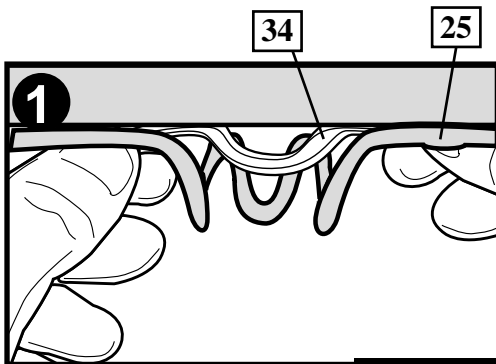
**27.** Apply logo label (33) to cover plate (31). Install cover plate (31) on rim (25) using self tapping screws (32) as shown.

**NOTE ORIENTATION OF COVER PLATE**

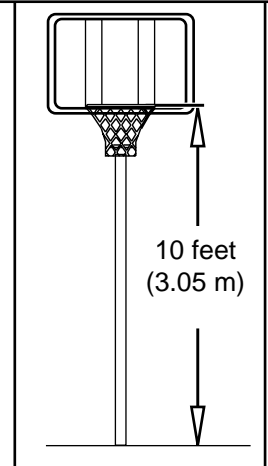
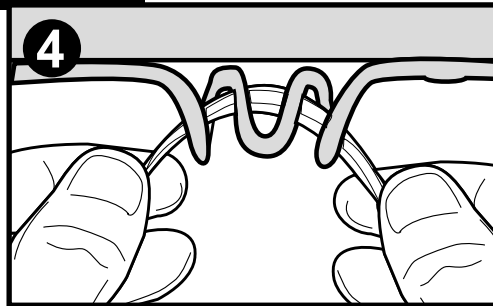
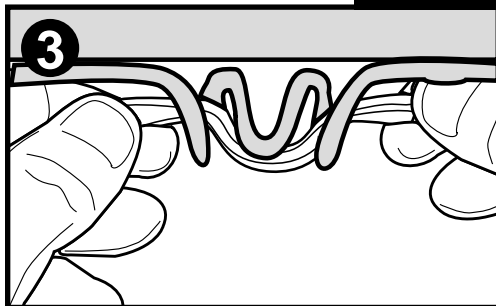


**28.** Secure net (34) to rim (25).

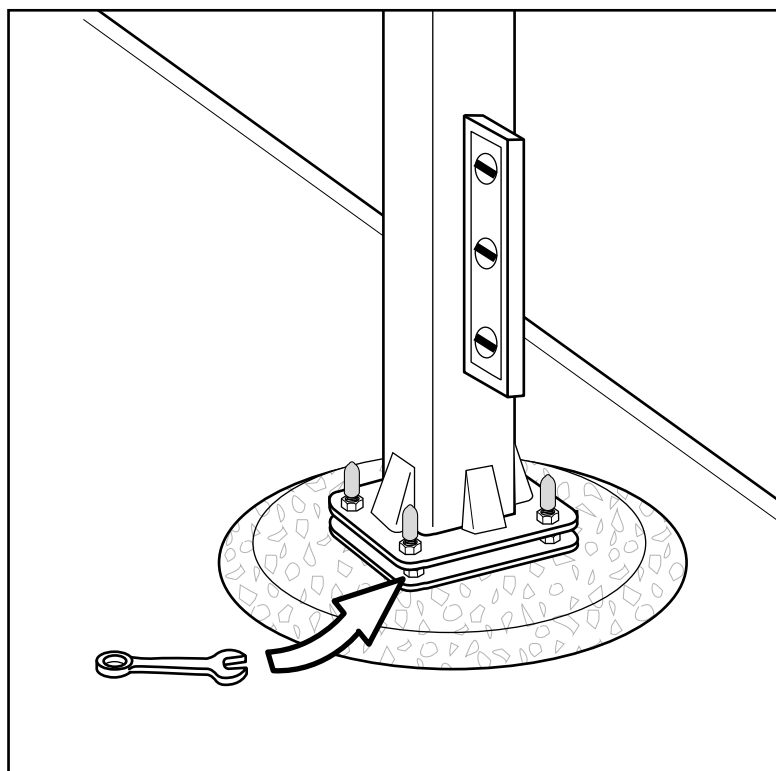
**NOTE: Official rim height is 10' (3.05 m) from top of rim to playing surface.**



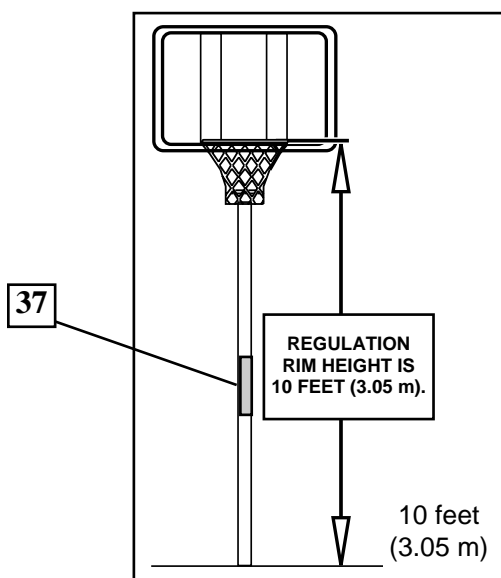
**OUTSIDE VIEW**



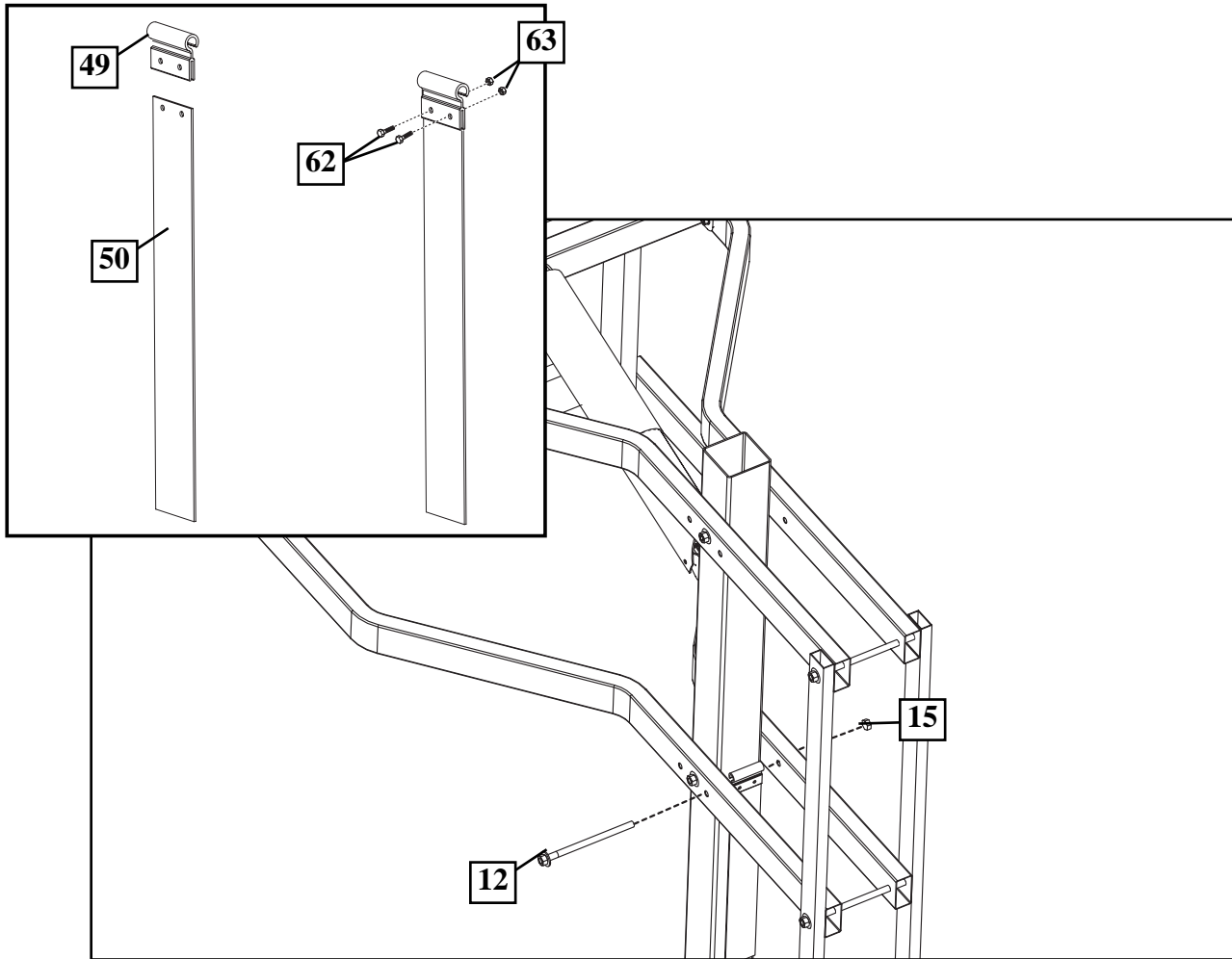
- 29.** Check leveling at this time. Pole should be level in all directions. **NOTE: If adjustment is necessary, adjust system by rotating the nuts (2) between mounting plate (3) and pole flange. (Referred to in Step 6.)** After system is leveled, completely tighten nuts (7) above pole flange.



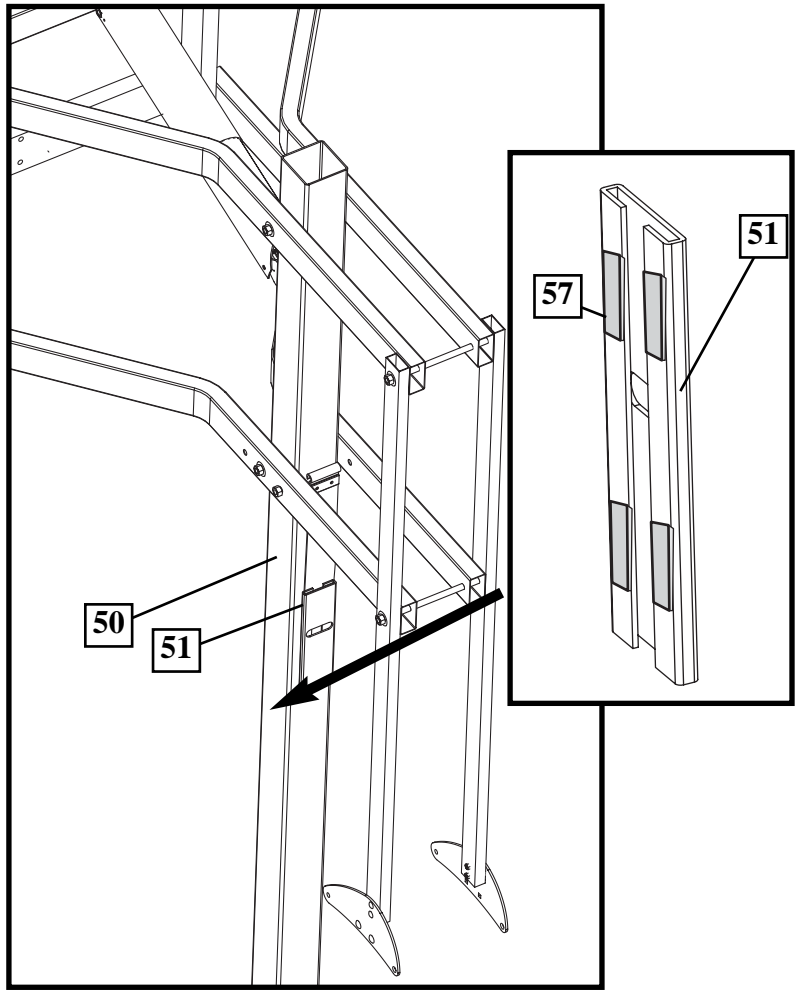
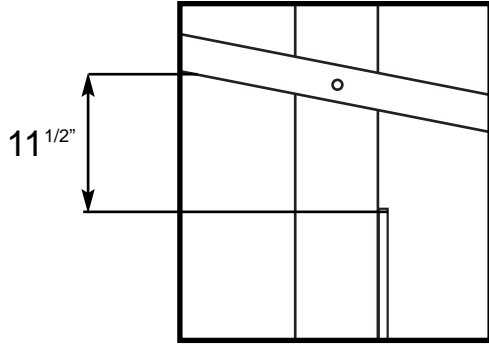
- 30.** Apply height adjustment label (37) to front of pole as shown.



- 31.** Attach hook (49) to height strip (50) as shown. Attach this assembly to unit with bolt (12) and nut (7) as shown.

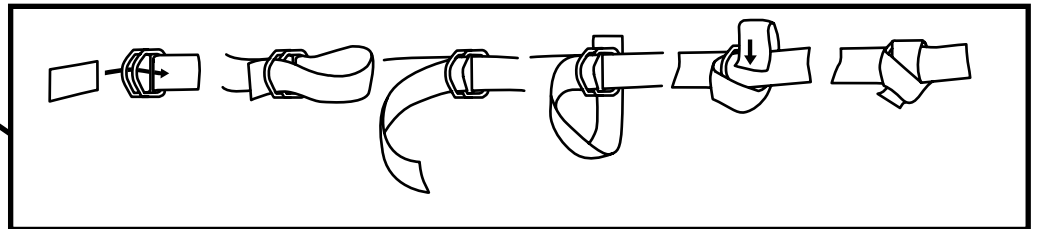
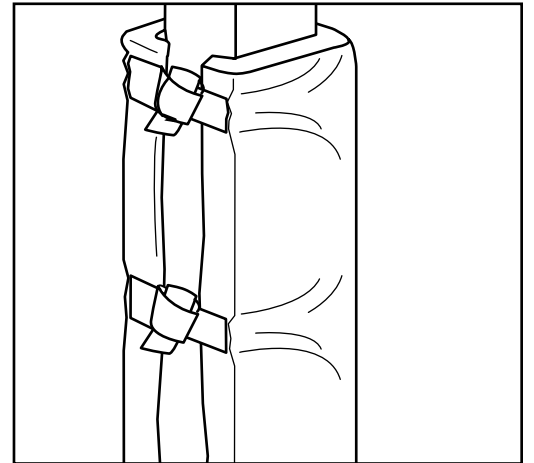
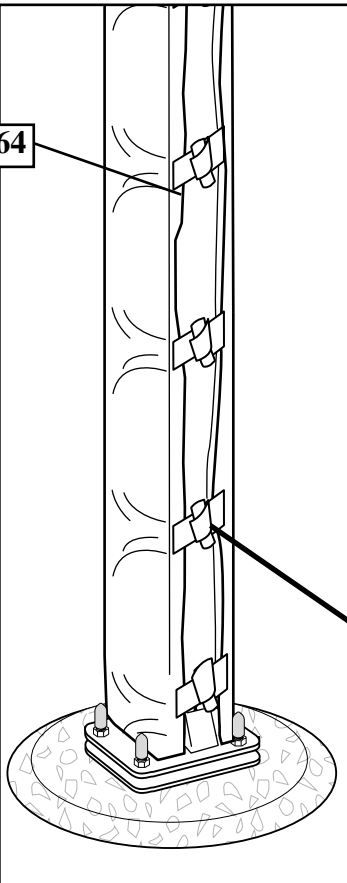


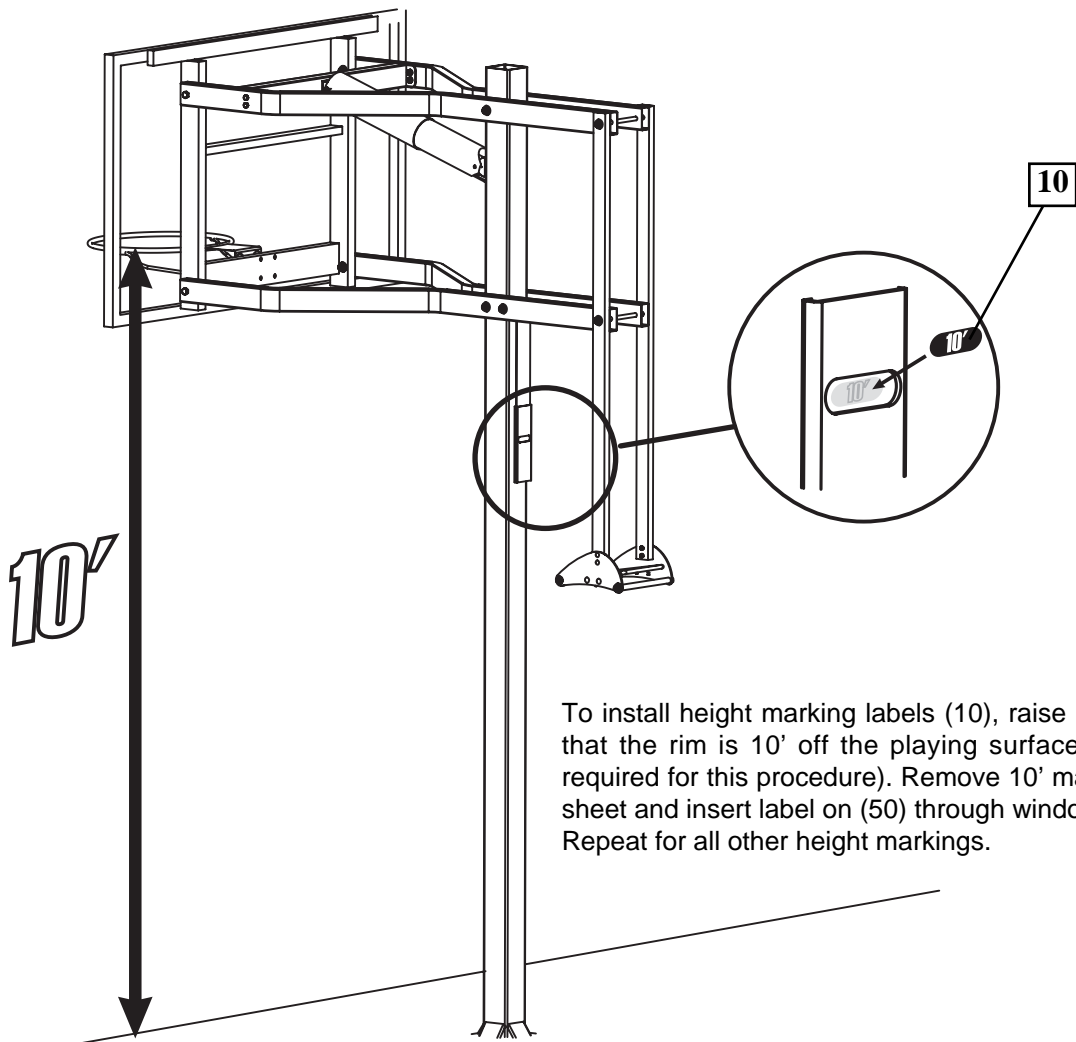
**32.** Attach height window (51) to pole using four pieces of double-sided tape (57) as shown.



**64**

**33.** Secure pole pad (35) as shown.





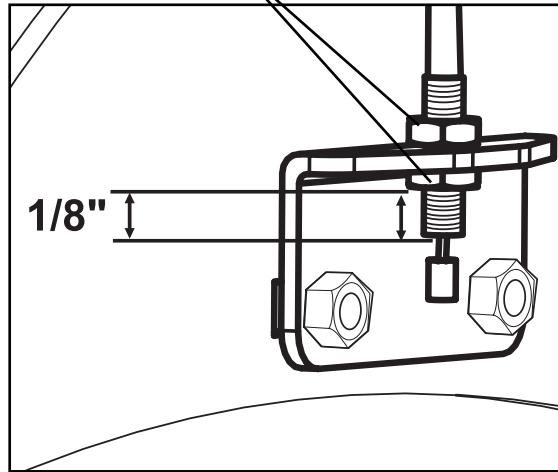
To install height marking labels (10), raise backboard so that the rim is 10' off the playing surface (two people required for this procedure). Remove 10' mark label from sheet and insert label on (50) through window of (51). Repeat for all other height markings.

If the elevator is still difficult to operate, verify that the valves located on the strut are fully depressed when the trigger is activated.

**NOTE:** two people are required for this procedure.

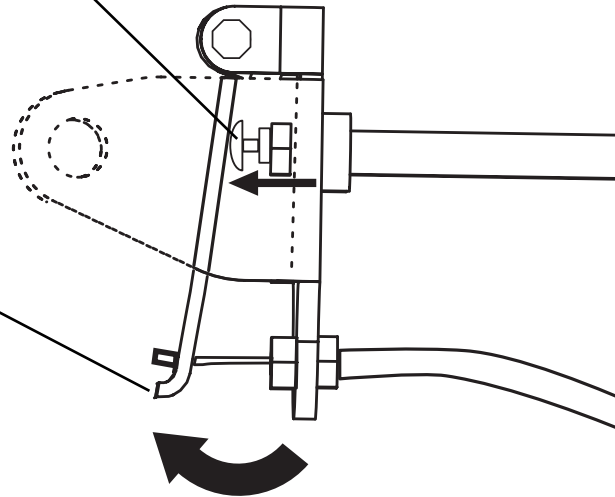
Adjust exposed cable length, located next to the trigger (See Step 19) by using the jam hex nuts on the cable end. Slide outer shroud to exposed valves. The valves must be fully depressed so elevator can be adjusted smoothly and fully extended to lock the elevator.

Jam Hex Nuts



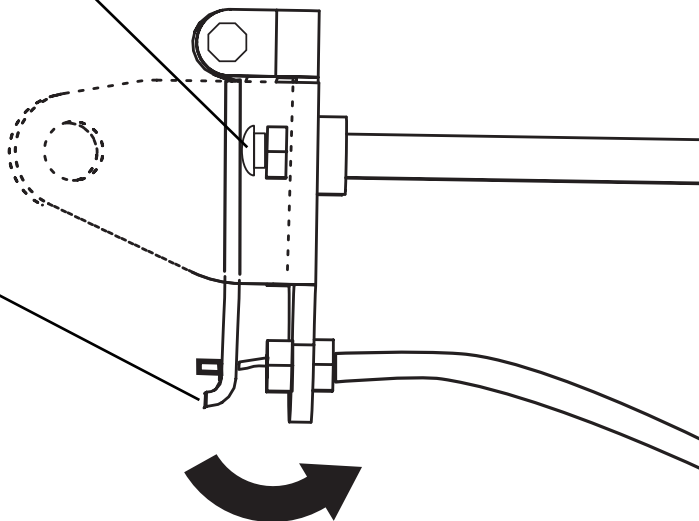
Valve

Trigger released,  
locking elevator



Valve

Trigger squeezed,  
unlocking elevator

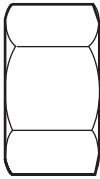
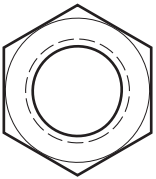


## PARTS LIST

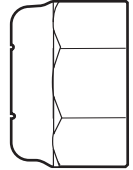
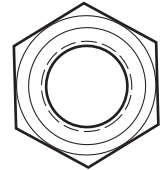
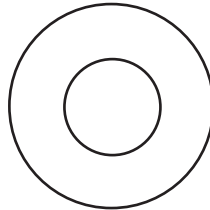
<i>Item</i>	<i>Qty.</i>	<i>Part No.</i>	<i>Description</i>
1	4	200573	J-Bolt, 1/2"-13 x 24"
2	12	265575	Nut, Hex 1/2"-13
3	1	920880	Mounting Plate
4	23*	203474	Washer, Flat 1/2" x 1" O.D.
5	1	980835	Pole
6	1	200544	Pole Cap, Square
7	12	206340	Nylon Insert Lock Nut, Hex 1/2"-13
8	8	220589	Cap, Arm Support Insert
9	4	908066	Support Arm
10	1	201504	Label, Height Marker
11	2	220586	Logo Label, 15" x 1 3/4"
12	4	200574	Bolt, Hex Flange 1/2"-13 x 9"
13	1	906835	H-Frame
14	8	200704	Washer, 5/8"
15	2	202459	Nut, Hex, 1/2"
16	4	202856	Bolt, Hex Head, 1/2"-13 x 4"
17	1	908061	Crossmember
18	2	908062	Vertical Tube
19	1	203274	5 x 5 Foam Pad
20	1	901492	Cable Support Bracket
21	2	901490	Plate Handle
22	4	203113	Bolt, Hex Flange 5/16"-18 x 2 1/2"
23	12*	203100	Nut, Hex Flange 5/16"-18
24	12	203218	Washer, Flat 5/16" x 7/8" O.D.
25	1	920263	Rim, Orange
26	4	201611	Bolt, Hex Flange, 5/16"-18 x 3"
27	12*	203232	Washer, 3/4 O.D.
28	1	200484	Spring
29	1	200323	Washer, Large Flat
30	1	201124	Nut, Hex Locking, 3/8-16
31	1	960043	Cover Plate, Orange
32	2	220140	Screw, Self Tapping, 1/4 - 20 x 1/2
33	1	220569	Label Logo Circle
34	1	204282	Net
35	1	900429	Strut Assembly
36	1	201982	Outer Shroud
37	1	201512	Label, Height Adjustment
38	4	200655	Bolt Covers
39	1	920262	Bracket, Orange
40	1	920038	Inner Bracket, Black
41	1	220065	Bolt, Carriage 3/8 x 5 1/2
42	2	203063	Nut, Hex Nylon Locking 3/8
43	1	203017	Nut, Hex 3/8
44	1	203439	Bolt, Hex 3/8 x 6
45	1	220064	Spacer, 5 x 1/2" O.D.
46	1	201983	Inner Shroud
47	1	908064	Actuator Plate
48	1	901493	Trigger Assembly
49	1	201501	Shepherd's Hook
50	1	201503	Height Strip
51	1	201502	Height Window
52	1	201511	Handle Spacer
53	2	201981	Bolt 1/2-13 x 12"
54	4	203217	Bolt 5/16 x 1 1/2
55	2	201531	Bolt 5/16 x 3/4
56	1	203078	Bolt 1/4-20 x 4"
57	4	207388	Double Sided Tape
58	1	201515	Bolt 3/8 16 x 11
59	5	203220	Locknut, 5/16-18, Nylon
60	1	201519	Screw 6 x 1 Slotted Hex Head
61	1	203664	Bolt Hex Head 5/16-18 x 5-1/2" Long
62	2	240019	Bolt Hex Head 1/4-20 x 3/4 Long
63	3	240027	Nut Hex Nylock 1/4-20
64	1	206555	Pole Pad
65	1	206251	Bolt, Hex, 1/2" x 5" Long
66	1	201506	Bolt, Hex, 1/2" x 11" Long

\* You May Have Extra Parts With This Model.

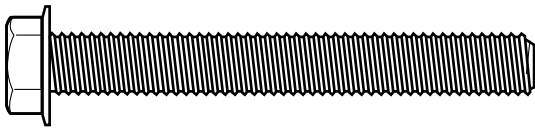
## HARDWARE IDENTIFIER



**Item #2 (12)**

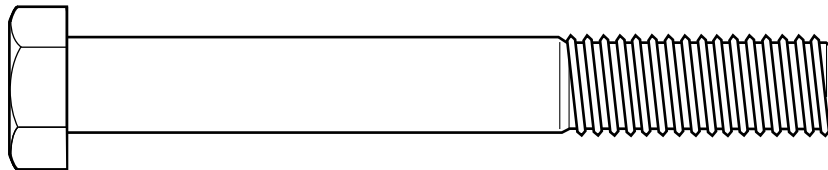


**Item #7 (12)**

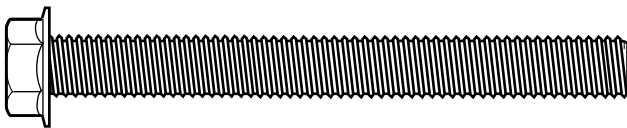


**Item #4 (23)\***

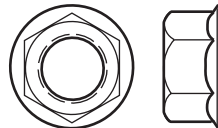
**Item #22 (8)**



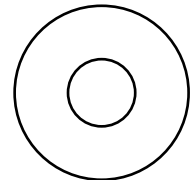
**Item #16 (4)**



**Item #26 (4)**



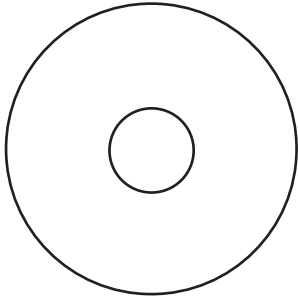
**Item #23 (14)**



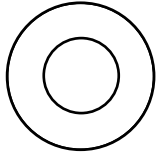
**Item #24 (12)**



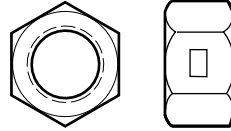
# HARDWARE IDENTIFIER



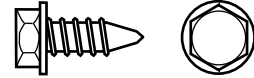
**Item #29 (1)**



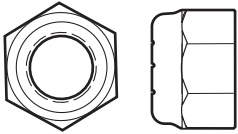
**Item #27 (12)\***



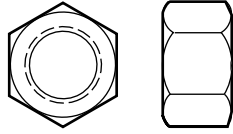
**Item #30 (1)**



**Item #32 (2)**



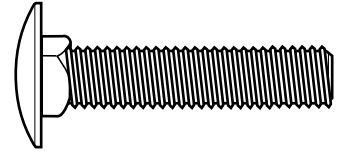
**Item #42 (2)**



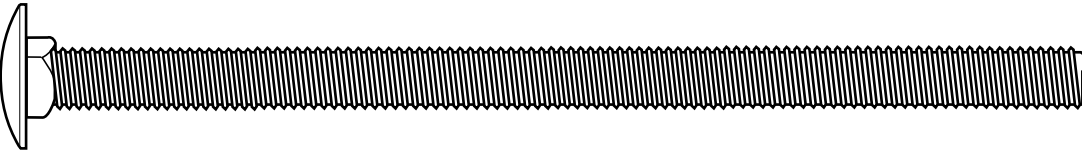
**Item #43 (1)**



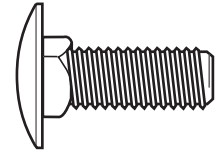
**Item #38 (4)**



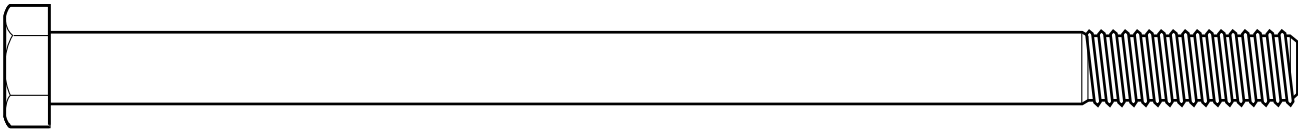
**Item #54 (4)**



**Item #41 (1)**



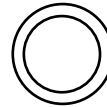
**Item #55 (2)**



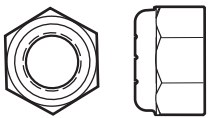
**Item #44 (1)**



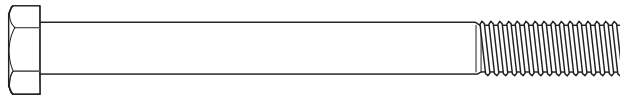
**Item #45 (1)**



**Item #60 (1)**



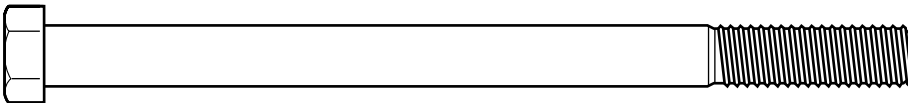
**Item #59 (5)**



**Item #56 (1)**



**Item #62 (2)**



**Item #61 (1)**



**Item #63 (3)**

**WARRANTY CARD:**

Please remember to complete your product registration form on-line at:

[www.hydrarib.com/warrantycard](http://www.hydrarib.com/warrantycard)