

Congratulations on your purchase and welcome to the growing number of cyclists who are discovering a powerful new generation of bicycle computers. Your Specialized SpeedZone® Team has been designed to provide the best combination of performance, features, durability and ease of use and installation.

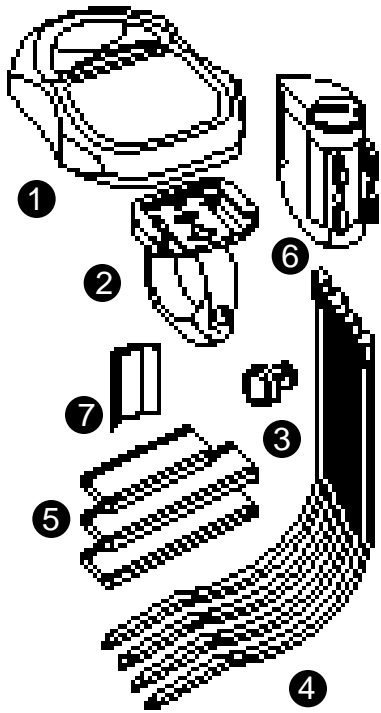


The following functions available on your SpeedZone® Team bicycle computer:

SPD - Current Speed
AVS - Average speed
MXS - Maximum Speed
ATM - Automatic Start/Stop Timer
DST - Trip Distance
ODO - Odometer (total distance)
ASI - +/- Average Speed Indicator
TM - Stopwatch
Digital 12/24 Hour Clock
Analog Clock

This computer also features:

- Easy Calibration Mode
- Wireless Mounting System
- Triple Display LCD
- Backlit LCD display.
- Second Wheel Option
- Water Resistant Housing
- 2 Year Warranty
- Sleep Mode after one-hour inactivity to preserve battery life



What is included in you SpeedZone® Team package:

1. SpeedZone® Team Computer (1)
2. Mounting bracket (2)
3. Magnet with screw (1)
4. Cable tie wraps (4)
5. Mounting bracket sizing straps (3)
6. Transmitter (1)
7. Transmitter mounting bracket (1)

Mounting the SpeedZone® Team:

The SpeedZone® Team Wireless transmitter can mount on the right or the left side of the fork blade. The right side should be used on large frames or when a suspension fork is installed. The optimal distance between the computer and the transmitter is 24 inches (610mm) The distance may need to be less that 24 inches (610mm) if ambient temperatures are below 40 °F (4 °C). To reduce signal loss in colder temperatures, the transmitter should be mounted as close to the computer as possible. (maximum mounting distance is 28 inches). Use the transmitter mounting bracket and tie-wraps provided to position the sensor. Do not tighten the tie-wraps until final placement

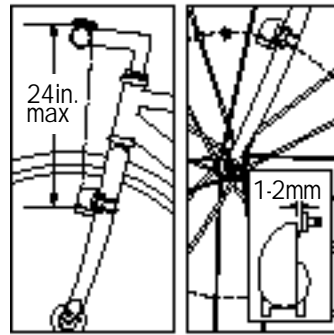


fig.1

fig.2

of the magnet is correct. See figure 1. Attach the magnet to a spoke across from the transmitter with the magnet screw. The clearance between the magnet and the transmitter should be approximately 1/32"-1/16" (1-2mm). Tighten the magnet and transmitter. Do not over-tighten the magnet screw See figure 2.

Attach the mount to the handlebar using the bracket screw provided. Tighten so that the bracket cannot rotate on the handlebar. There are several sizing straps provided to fit different diameter bars See figure 3.

the computer forward onto the mounting until it 'snaps' into place with an audible click. To remove the computer, push it backward until it releases from the mount. To test for proper installation of the magnet, transmitter and computer, activate the computer by pushing the 'MODE' (right side) button and pick up the front of the bicycle and spin the wheel. The "wheel option" indica-

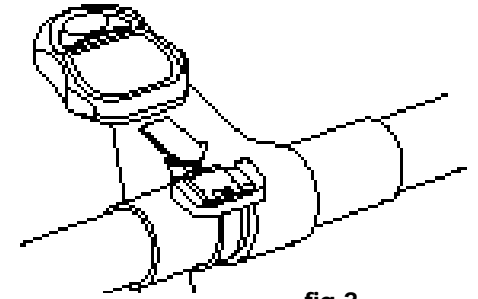


fig.3

tor will flash. If it does not flash, check the sensor and magnet alignment. Realign as necessary until the "wheel option" indicator flashes while spinning the wheel.

Programming:

Programming the functions of your SpeedZone® Team requires it to be placed in various “modes” (i.e. odometer mode, distance mode). The computer can be cycled through these modes by pressing the “MODE” button located on the right-hand side of the housing. Once a specific mode has been entered, its values can be reset or adjusted by pressing either the “FUNCTION” button located on the left hand side of the housing or by using a combination of the “MODE” and “FUNCTION” buttons.

1. Miles or Kilometers selection:

Your SpeedZone® Team will record speed and distance in either miles (M/h) or kilometers (KM/h). To enter your selection of miles or kilometers, push the “MODE” button until ODO (odometer) appears in the lower left side of the display (This is called the odometer mode). Hold down the “FUNCTION” (left side) button and ‘tap’ the “MODE” button once. The Km/h, m/h indicator will begin blinking. You may now

alternate between miles and kilometers by pressing the “MODE” button. When the correct choice is flashing, select it by pressing the “FUNCTION” button. You will now enter the “Programmable Odometer” mode. If the odometer setting is correct push the “FUNCTION” button (5 times) to exit to odometer mode (otherwise, see “Setting the programmable odometer below).



2. Setting the Programmable Odometer:

The programmable odometer mode is accessed by entering the odometer (ODO) mode and holding down the “FUNCTION” button and ‘tapping’ the “MODE” button once. The Km/h indicator will flash. If the Km/h setting is correct press the “FUNCTION” button once and a five digit number will appear. You are now in the programmable odometer mode. This mode is useful if you have replaced the battery and would like to

retain the mileage you have already ridden. To enter a mileage into the odometer, press the “MODE” button until the flashing digit is correct. (Note: The “MODE” button may be held to scroll to the correct digit.) Press the “FUNCTION” button to select the next digit to the right. Repeat the process until all five digits are entered as your existing mileage.

3. Wheel Circumference Selection:

To set the circumference for the type of tires you are using, you can use Specialized’s exclusive “Easy Calibration Mode” or measure your actual tire circumference by the roll-out method. Two different tire diameters may be entered into the computer’s “Second Wheel Option.”

Easy Calibration Mode:

Your SpeedZone® Team has been preprogrammed with the following 14 Specialized tire sizes:

- 26 X 1.0 •26 X 1.25 •26 X 1.5
- 26 X 1.75 •26 X 1.9 •26 X 2.0

- 26 X 2.1 •26 X 2.2 •650 X 20
- 700c X 20 •700c X 23 •700c X 26
- 700c X 32 •700c X 38

When using Easy Calibration Mode, the SpeedZone® will display the tire size on its LCD display screen. (see figure 6) The Easy Calibration Mode is accessed by entering the odometer (ODO)



fig.6

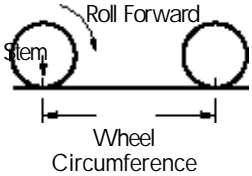
mode and holding down the “FUNCTION” button for three seconds. The display will now show the currently selected tire size for wheel option #1. To scroll through the preprogrammed tire sizes tap both the “MODE” and “FUNCTION” buttons simultaneously. When you reach the desired tire size press the “FUNCTION” button once to select it and enter Easy Calibration Mode for wheel option #2. Follow the same procedure to program the wheel #2 tire size and tap the “FUNCTION” button to exit to odometer mode.

Roll Out Method

The roll out method will provide the most accurate computer calibration and can take into account variables such as inflation pressure, rim width and rider weight.

1. Extend a tape measure out to 3000mm (120 inches) and lock it in place.
2. With your tire inflated to its proper pressure, place the valve at the 6:00 position (at the bottom) directly over the start of the measuring tape.
3. Roll the wheel one complete revolution until the valve stem is again at the 6:00 position. Read the tape directly under the valve and note the distance in millimeters. (To convert inches to millimeters, multiply inches by 25.4). Use this number to replace the default (default values are 2054 for wheel one, and 2113 for wheel two) when programming your computer.

You may also use the following quick reference chart:



Generic Tire Size Chart

This chart is for non-specialized tires

26 X 1.75	2140
26 X 2.0	2074
26 X 2.1	2090
650C X 20	1945
700C X 26	2124
700C X 38	2170

Programming in the circumference:

To enter the tire circumference number, enter the odometer (ODO) mode by holding down the "FUNCTION" button for three seconds. The display will now show the currently selected tire size for wheel option #1. If necessary scroll through the preprogrammed tire sizes by tapping both the "MODE" and "FUNCTION" buttons simultaneously until the display shows a four digit number. This number represents your tire circumference in millimeters. Press the "MODE" button until the flashing digit is correct. (Note: The "MODE" button may be held



to scroll to the correct digit.) Press the "FUNCTION" button to select the next digit to the right. Repeat the process until all four digits are entered as your tire circumference. Press the "FUNCTION" button once to select it and enter the circumference for wheel option #2. Follow the same procedure to program the wheel #2 tire size and tap the "FUNCTION" button to exit to odometer mode.

4. Setting the Clock

Your SpeedZone® Team features two clocks, one analog and one digital. The hands of the analog clock will be set automatically to correspond to the digital one. To access the "clock mode" press and hold the "MODE" button for three seconds. To set the clock, press the "FUNCTION" button for three seconds. The display will flash either twelve (12:) or twenty four (24:). Select between 12: or 24: mode by pressing the "MODE" button. Press the "FUNCTION" button to set the mode.

The hour digit will now begin flashing. Press the "MODE" button to adjust the hour digits and press the "FUNCTION" button to set. The minutes will flash and can be adjusted by pressing the "MODE" button. (hold the "MODE" button to scroll through the digits quickly) Press the "FUNCTION" button to set the minutes and return to clock mode.

Note: The minute-hand of the analog clock has twelve segments and can only display time in five minute increments. The hand will not jump to the next segment until the digital clock reaches whole five minute intervals. (e.g. 12:05, 12:10, 12:15 etc.)

5. Timer Selection

The timer can be selected for either Automatic Timer Mode (ATM) or Timer Mode (TM). The ATM selection



allows you to keep track of your actual riding time. The timer only operates when the wheel is rotating and cannot be turned on or off manually.

The TM selection is just like a conventional stopwatch. The timer is activated manually and records the time whether the wheel is rotating or not. Tapping the "FUNCTION" button starts and stops the stopwatch and holding the "FUNCTION" button for three seconds will reset to stopwatch.

Note: The average speed (AVS) will be calculated differently based upon the selection of ATM or TM. If ATM is selected, the AVS is based upon only riding time. If TM is selected the AVS is based on the total time the stopwatch is turned on or activated.

To select between ATM and TM press and hold the "FUNCTION" and tap the "MODE" button. Either ATM or TM will flash. Press the "MODE" button to select

between the two modes and press "FUNCTION" to return to normal operating mode.

Computer Functions

Speedometer- Speed is always indicated on the top line of the screen. The speed is shown continuously up to 99.9M/h (99.9 Km/h) with a resolution of 0.1 M/h (0.1 Km/h)

Average Speed (AVS)- The average speed is displayed on the lower line of the screen when AVS is shown on the left. The average speed is based upon whether the ATM or the TM mode has been selected, the resolution of the average speed is shown in 0.1M/h or Km/h increments.

+/- Average Speed Indicator- An up or down arrow displayed in the upper right side of the screen shows whether the cur-



rent speed is above or below the average speed. The arrow is always displayed so you know if you're maintaining your average speed while in another mode.

Maximum Speed (MXS)-

The maximum is displayed on the lower line of the screen when MXS is shown on the left. The maximum speed is retained in memory and updated when a higher speed is attained. The maximum speed can be reset by pressing the "FUNCTION" button for three seconds.



Auto Start/Stop Timer (ATM)-

The stop watch function will operate only when there is speed input and records the actual time spent riding. Pressing the "FUNCTION" key for 3 seconds will reset the ATM display to zero.



Timer Mode (TM)-

In TM mode the stopwatch function

will operate when the "FUNCTION" button is pressed. The stopwatch will record the total time after the button is pressed regardless of whether there is speed input or not. The average speed (AVS) will be calculated based on the time the timer mode is activated.

Trip Distance (DST)- Trip distance mode will record up to 999.99 miles or kilometers and then roll to zero. The trip distance function can be reset by pressing the "FUNCTION" button for three seconds. The resolution is 0.01 miles (0.01 Kilometers). The trip distance is shown on the lower line of the screen.



Odometer (ODO)- The odometer will record the total distance traveled up to 99,999 miles or kilometers and then roll to zero. The odometer can be reset by pressing the "FUNCTION" button for three seconds. The total distance is shown on the lower line of the screen.



Programmable Odometer- The odometer digits are user setable. This is convenient for transferring your hard-earned mileage that is usually lost when changing batteries or computers.

Clock- The SpeedZone® Team has two clocks, one digital and one analog. The digital clock is accessed by pressing the "MODE" button for three seconds. There is an option of either 12 hour or 24 hour clock settings and is shown on the lower line of the screen. The analog clock is

always displayed in the upper right side of the screen. The minute-hand of the analog clock has twelve segments and can only display time in five minute increments. The hand will not jump to the next segment until the digital clock reaches whole five minute intervals.

Second Wheel Mode- For riders who own more than one bicycle or who frequently change tires, the SpeedZone® Team is capable of storing two tire sizes. You can change between the two sized by pressing both the "MODE" and "FUNCTION" buttons simultaneously for three seconds. The second wheel mode indicator will change from 1 to 2. Mileage recorded will be cumulative between the two sizes. (an accessory handlebar mount is available from your Specialized dealer)

Backlight- The backlight feature of your SpeedZone® Team is activated by pressing the "BACKLIGHT" button on the top of the computer. When pressed the backlight will

remain on for 5 seconds. During this time the current-speed display will be frozen, however the SpeedZone® Team will continue to monitor time and distance functions.

Triple Display LCD- The display screen on your SpeedZone® Team can provide three pieces of information simultaneously: Current Speed (always displayed on the top line of the screen), Current Time (on analog clock), and your choice of one of the following: Average Speed, Maximum Speed, Current Time (digital clock), Trip Distance or Odometer.

Installing the Battery-

Your SpeedZone® Team Computer comes with the battery installed at the factory. Should you need to replace the battery, push the computer backwards to remove it from the handlebar mount. Before removing the battery make a note of your odometer reading and wheel circumference settings so that you can re-enter them when you restart the computer. Turn the computer over

so the display is facing downward. Use a coin to unthread the battery cap from the computer. Install the battery (model CR2032) with the positive pole (+) facing upward. Carefully thread the battery cap back onto the case with a coin. (See Figure 7)

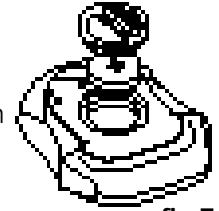


fig. 7

If the LCD display is blank or shows incomplete digits, turn the computer over and press the "AC" button on the bottom of the case with the tip of a pen or a paper clip. This will clear all the data and re-start the computer. Reinstall the computer by pushing it forward into the mount until it snaps into place.

The Transmitter battery can be replaced by using a small coin to unthread the battery cap from the transmitter, replacing the battery (model 23A) and carefully threading the battery cap back into place.

Troubleshooting:

Display is blank: Change the battery or press the AC button on the bottom of the case

Display shows partial digits: Press the AC button on the bottom of the case.

Speed/distance not recording:

Check transmitter/magnet alignment. Make sure that the transmitter is no more than 28 inches from the battery (move the transmitter as close to the computer as possible).

Entire screen is dark: Did you leave the bike parked in the hot direct sun when it was parked? If so, move the bike to the shade. The data will be OK.

Computer moves on handlebar:

Tighten mount or add sizing straps to improve fit on handlebar.

Important!

Pay attention to traffic and road conditions at all times. Your first obligation is to be attentive and to ride safely.

- Keep your computer in good shape and use it safely:

- Do not expose it to direct sunlight except when you are riding

- Do not disassemble it

- Make sure the magnet and the transmitter are well aligned. Check them regularly.

- Keep the computer and all of its components tightly attached, and check them regularly. If any of the components come loose, it could become tangled in your spokes and cause an accident.

- See your authorized Specialized dealer if you have any trouble installing or maintaining your computer.

- Clean the unit with a mild detergent and a soft dry cloth. Never use any kind of solvent or alcohol.

- The SpeedZone® Team computer is intended for use on bicycles only and should not be used on any motorized vehicle.

Warranty Information:

Specialized cycling computers are guaranteed to be free from defects in materials and/or workmanship (excluding battery) for a period of two years from the date of purchase. Specialized will at its option, repair or replace your defective computer.

To receive warranty service send the unit, a copy of the sales receipt and a brief description of the problem to:

Specialized Bicycle Components Inc.

15130 Concord Circle

Morgan Hill, CA. 95037

Attn: Product Services/Computer

Warranty

Specifications:

Current Speed: 0.0 to 99.9 MPH
0.0 to 99.9 Km/H

Average Speed (AVS) 0.0 to 199.9 MPH
0.0 to 199.9 Km/H

Maximum Speed (MXS) 0.0 to 199.9 MPH
0.0 to 199.9 Km/H

Stopwatch (TM) 0 to 9hrs, 59min,
59sec. recycling type

Automatic Timer (ATM) 0 to 9hrs, 59min,)
59sec. recycling type

Trip Distance (DST) 0 to 999.99 miles or Km

Odometer (ODO) 0 to 99,999 miles or Km

Operating Temp 40°F to 104°F
(4°C to 40°C)