



SpotCell™ 100

Quick Installation Guide



www.spotwave.com

Spotwave Wireless Inc. 3701 Carling Avenue, Ottawa ON K2H 8S2 Canada
Tel: (613) 820-0023 Fax: (613) 828-1956 E-mail: sales@spotwave.com

© 2001 Spotwave Wireless Inc. All rights reserved. Printed in Canada

For quick installation of SpotCell 100:

If required, more detailed information on installing SpotCell 100 can be found in the enclosed Installation Manual.

WARNING

For your safety, beware of power lines and ensure that appropriate safety measures are maintained at all times during the installation of the SpotCell 100 equipment. Contact with high-voltage power lines could result in death or serious injury.

1. Parts List

- DDU
- Cable (80'/25 m)
- Mounting kit
- SCU
- Power supply

DDU
(outward-facing unit)



SCU
(indoor unit)



2. Location

The DDU can be mounted anywhere your cell phone works. This may be on a rooftop (typical rural set-up), on the side of a building, or inside a building (typical downtown set-up). The SCU will be mounted inside the building where your cell phone does not work. (The illustrations at the right depict typical installations.)

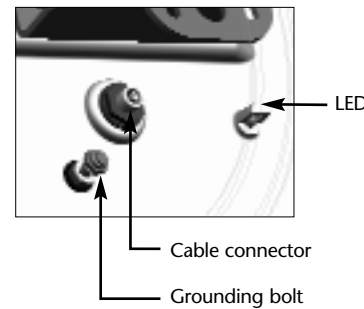
To start the installation, place the DDU and SCU in the general areas where they are to be located. Do not physically mount them at this time.



3. Installation

Connect the DDU and SCU with the cable provided.

Back of DDU

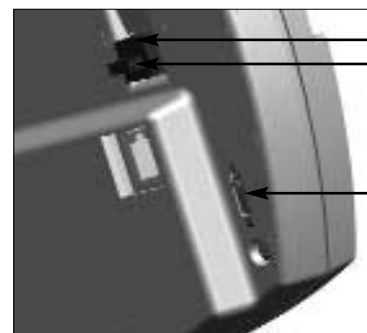


Back of SCU



4. Installation

Set the switch on the bottom of the SCU to "1" (install). Connect the power supply to the SCU, then plug the adapter into the AC outlet.

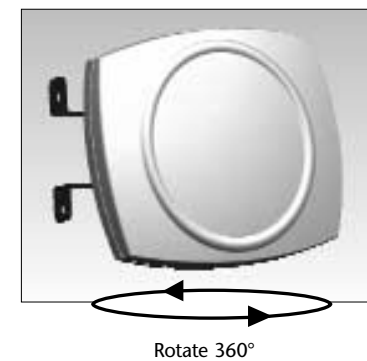


Power supply connection: insert wires here while depressing blue tabs here

Switch: install mode position

5. Installation: DDU

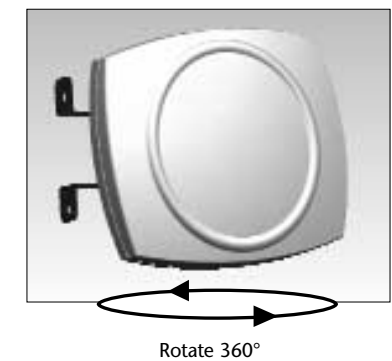
In the location where the DDU is to be mounted, rotate the unit in a complete circle. The LED on the back will turn red or green during the rotation.



Rotate 360°

6. Installation: DDU

Again rotate the DDU. When the LED turns green, stop the rotation. This is the direction the DDU must face when mounted.

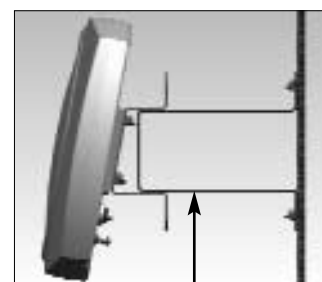


Rotate 360°

7. Installation: DDU

Now mount the DDU. Typical installations are pictured below.

Wall Mount



Optional bracket

Pipe Mount with Hose Clamp



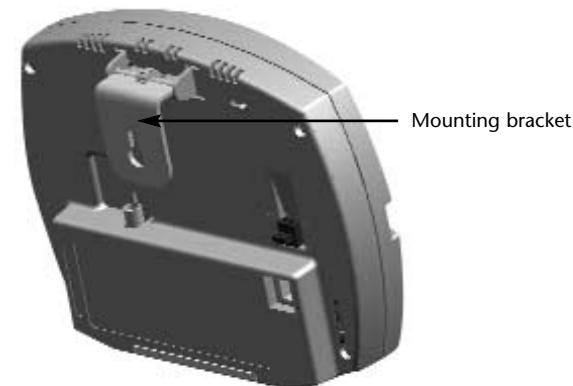
8. Installation: SCU

Move the switch on the bottom of the SCU to "2" (active). Hold the SCU in the location to be mounted. The LCD on the bottom of the SCU indicates coverage by the number of bars; more bars indicate better coverage.



9. Installation: SCU

Mount the SCU from a wall or ceiling, close to the centre of the area requiring coverage.



Mounting bracket

10. Final Checklist

1. Properly ground the DDU via the grounding bolt.
2. Ensure that there is a drip loop on the cable connecting to the DDU.
3. Firmly affix the cable to the building where it runs between the DDU and SCU.