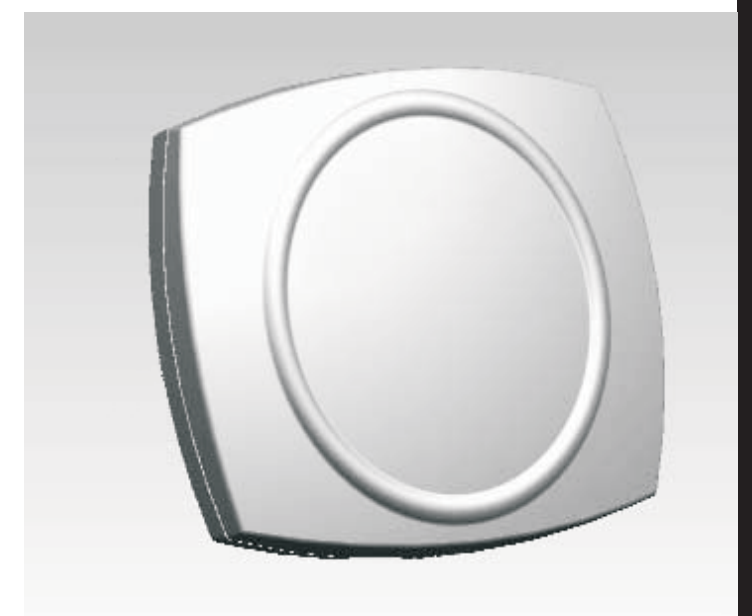




SpotCell™ Quick Installation Guide



www.spotwave.com

Spotwave Wireless Inc. 1 Hines Road, Ottawa ON K2K 3C7 Canada

© 2002 Spotwave Wireless Inc. All rights reserved. Printed in Canada
Spotwave and SpotCell are trademarks of Spotwave Wireless Inc. Patents pending.

780-00004-01-IST

For quick installation of SpotCell:

If required, more detailed information on installing SpotCell can be found in the enclosed User Manual.

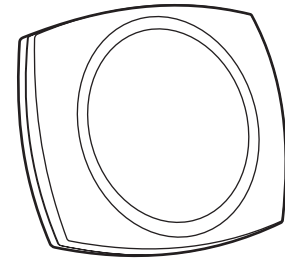
WARNING

For your safety beware of power lines and ensure that appropriate safety measures are maintained at all times during the installation of the SpotCell 100 equipment. Contact with high-voltage power lines could result in death or serious injury.

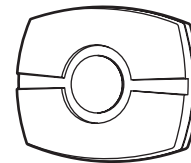
1. Parts List

- Donor Unit (DU)
- Cable (80'/25 m)
- Mounting kit
- Coverage Unit (CU)
- Power supply

DU
(outward-facing unit)



CU
(indoor unit)

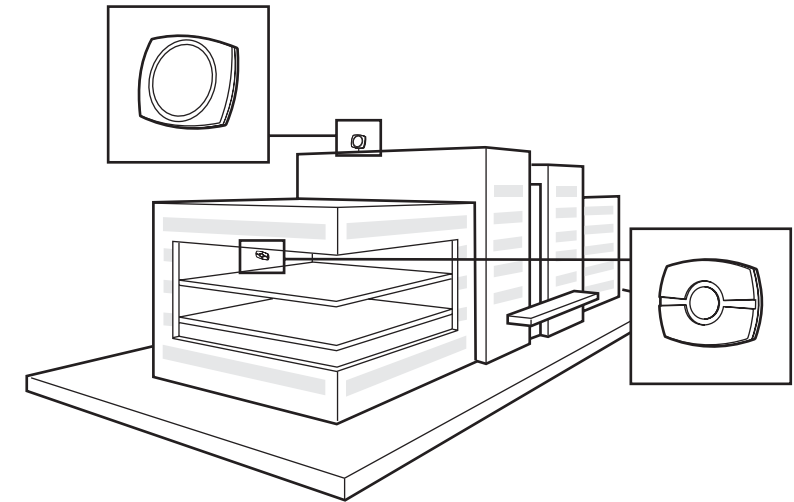


2. Location

The DU can be mounted anywhere your cell phone works. This may be on a rooftop (typical rural set-up), on the side of a building, or inside a building (typical downtown set-up). The CU will be mounted inside the building where your cell phone does not work. (The illustration at the right depicts a typical installation.)

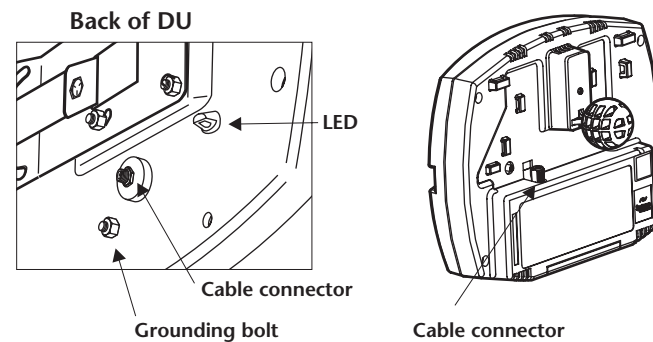
To start the installation, place the DU and CU in the general areas where they are to be located. Do not physically mount them at this time.

Maximum separation between the DU and CU, and back-to-back positioning are optimal when both are mounted indoors.



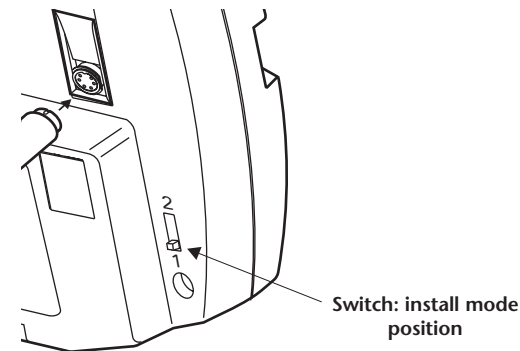
3. Installation

Connect the DU and CU with the wrench and cable provided.



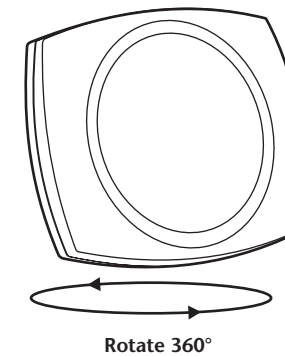
4. Installation

Set the switch on the bottom of the CU to "1" (install). Connect the power supply to the CU, then plug the adapter into the AC outlet.



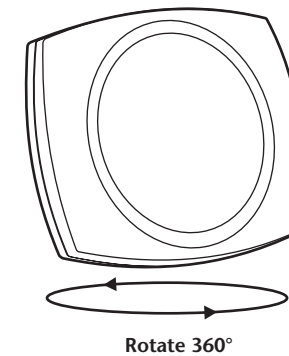
5. Installation: DU

In the location where the DU is to be mounted, rotate the unit in a complete circle. The LED on the back will turn red or green during the rotation.



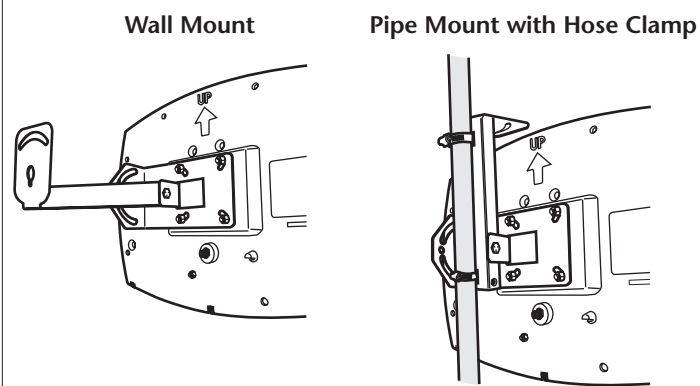
6. Installation: DU

Again rotate the DU. When the LED turns green, stop the rotation. This is the direction the DU must face when mounted.



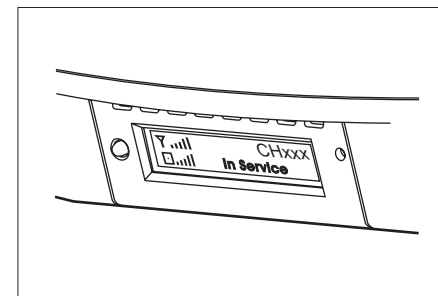
7. Installation: DU

Now mount the DU. Typical installations are pictured below.



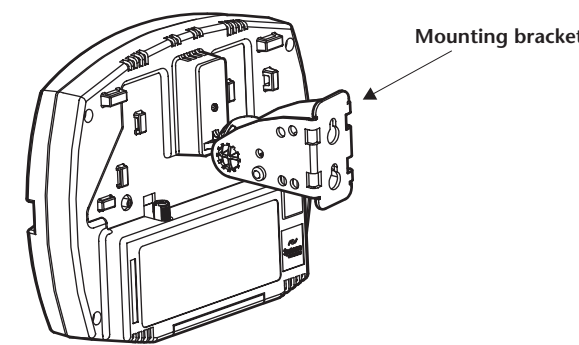
8. Installation: CU

Move the switch on the bottom of the CU to "2" (active). Hold the CU in the location to be mounted. The LCD on the bottom of the CU indicates coverage by the number of bars; more bars indicate better coverage.



9. Installation: CU

Mount the CU from a wall or ceiling, close to the centre of the area requiring coverage.



10. Final Checklist

1. Properly ground the DU via the grounding bolt.
2. Ensure that there is a drip loop on the cable connecting to the DU.
3. Firmly affix the cable to the building where it runs between the DU and CU.