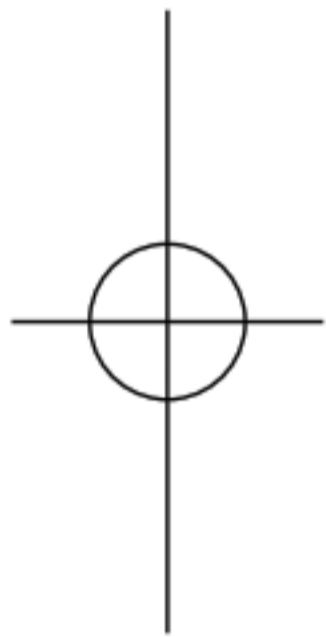
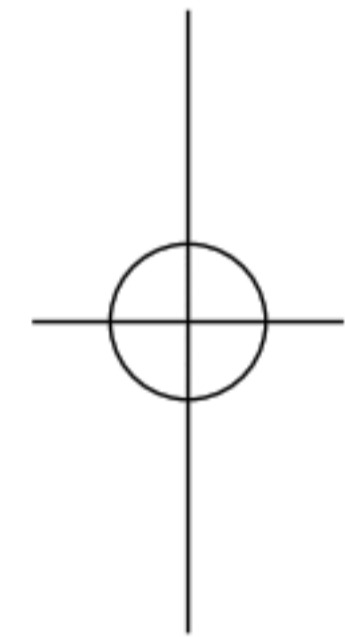


STANLEY[®]



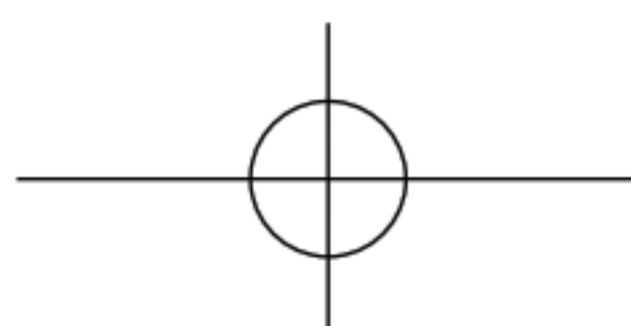
WARNING: Protect Your Eyes Wear Safety Goggles
AVERTISSEMENT: Protégez vos yeux, portez des
lunettes de sécurité.
ADVERTENCIA: Protéjase los ojos, use gafas de
seguridad



One Year Warranty
Garantie de un an
Garantía de un año

©2003 Stanley Tools Product Group of
The Stanley Works, New Britain, CT 06053

T5336



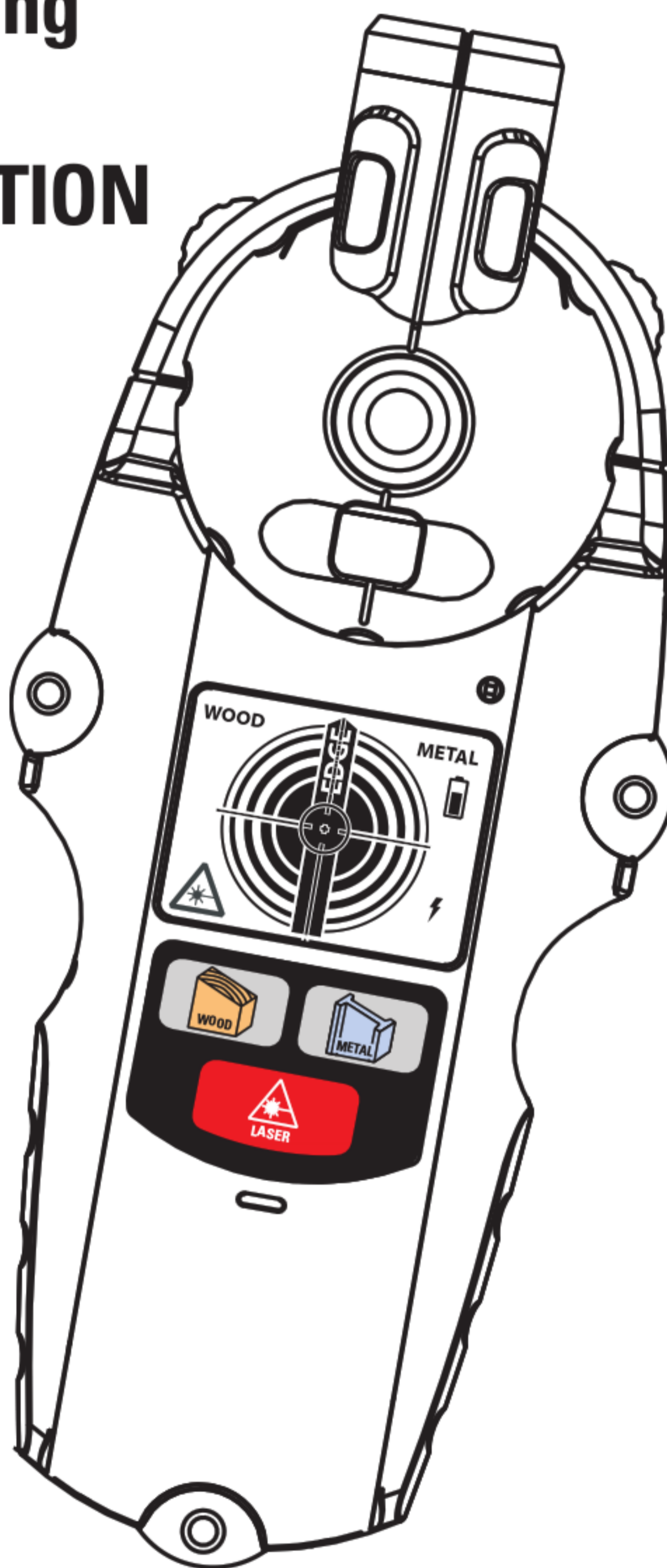


77-260

IntelliLaser™ Pro

Stud Finder and Laser Line Level with Continuous AC Warning

INSTRUCTION MANUAL



SAFETY INSTRUCTIONS:

Failure to follow warnings may result in bodily injury.

The following warnings must be followed to avoid injury:

- DO NOT remove warning labels.
- DO NOT use optical tools such as a transit to view laser beam. Serious eye injury could result.
- DO NOT project the laser beam directly into the eyes of others.
- DO NOT stare directly at the laser beam.
- DO NOT project laser beam onto a reflective surface.
- DO NOT operate around children, or allow children to operate.
- DO NOT disassemble the laser.
- Always turn off laser when the tool is not in use.

WARNINGS:

<p>DANGER Class IIIA Laser Product Laser radiation emitted from tool Max. Power Output < 5mw Wavelength: 630-670 nm Do Not Stare Into Beam AVOID DIRECT EYE EXPOSURE THIS TOOL EMITS A LASER RADIATION</p>	<p>This caution notice is reminded with a sticker located on one side of the unit.</p>
---	---

IMPORTANT: Read all instructions prior to operating the IntelliLaser™ Pro and DO NOT remove any labels from the tool.

The 77-260 produces a straight line on the same surface on which the tool is placed. Any reflection of the line on another surface should be considered reference.

IntelliLaser™ Pro (77-260)

The Stanley® Intelli**Laser™ Pro** uses electronic signals to locate the position of studs, joists or live AC wires through drywall and other common wall materials. Once the edge of the stud has been detected, the Intelli**Laser™ Pro** LCD display gives visual and audio indications that allow you to easily pinpoint the stud's edge position. A pencil line allows you to quickly note the location of the stud edges.

The Stanley® Intelli**Laser™ Pro** generates a laser plane vertically and pivoting 90 degree clockwise or counter-clockwise to generate a laser straight line.

The Intelli**Laser™ Pro** allows the user to locate wood and metal studs up to 3/4 inch for metal and wood stud.

The Intelli**Laser™ Pro** provides automatic calibration for metal and wood stud modes, auto shut off and heavy duty ABS construction.

Detection mode is selected by keypad function - metal and wood stud. Default mode is wood stud detection. Mode should be selected before "on" key is pressed.

ILLUSTRATION 1

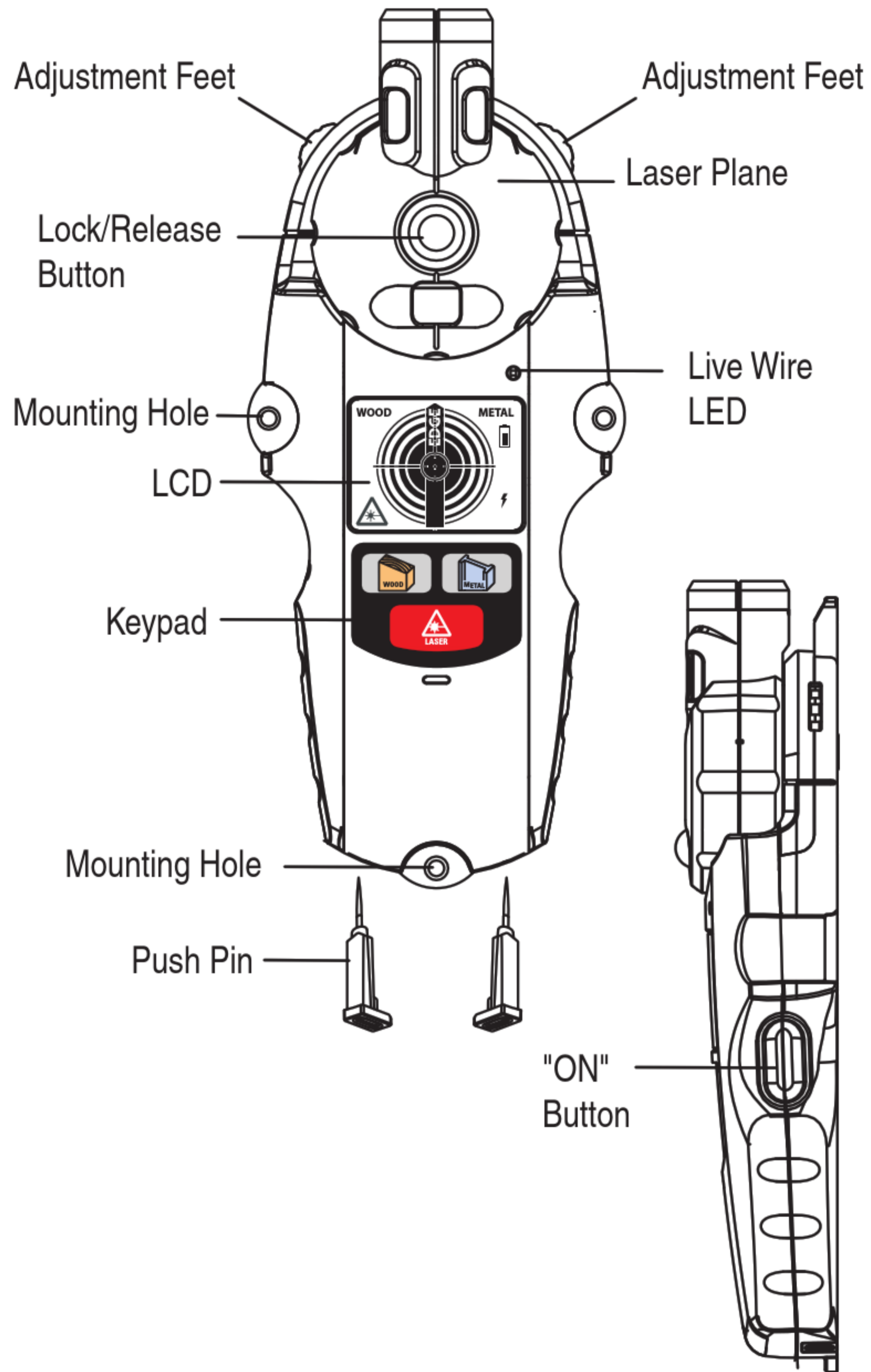


ILLUSTRATION 2

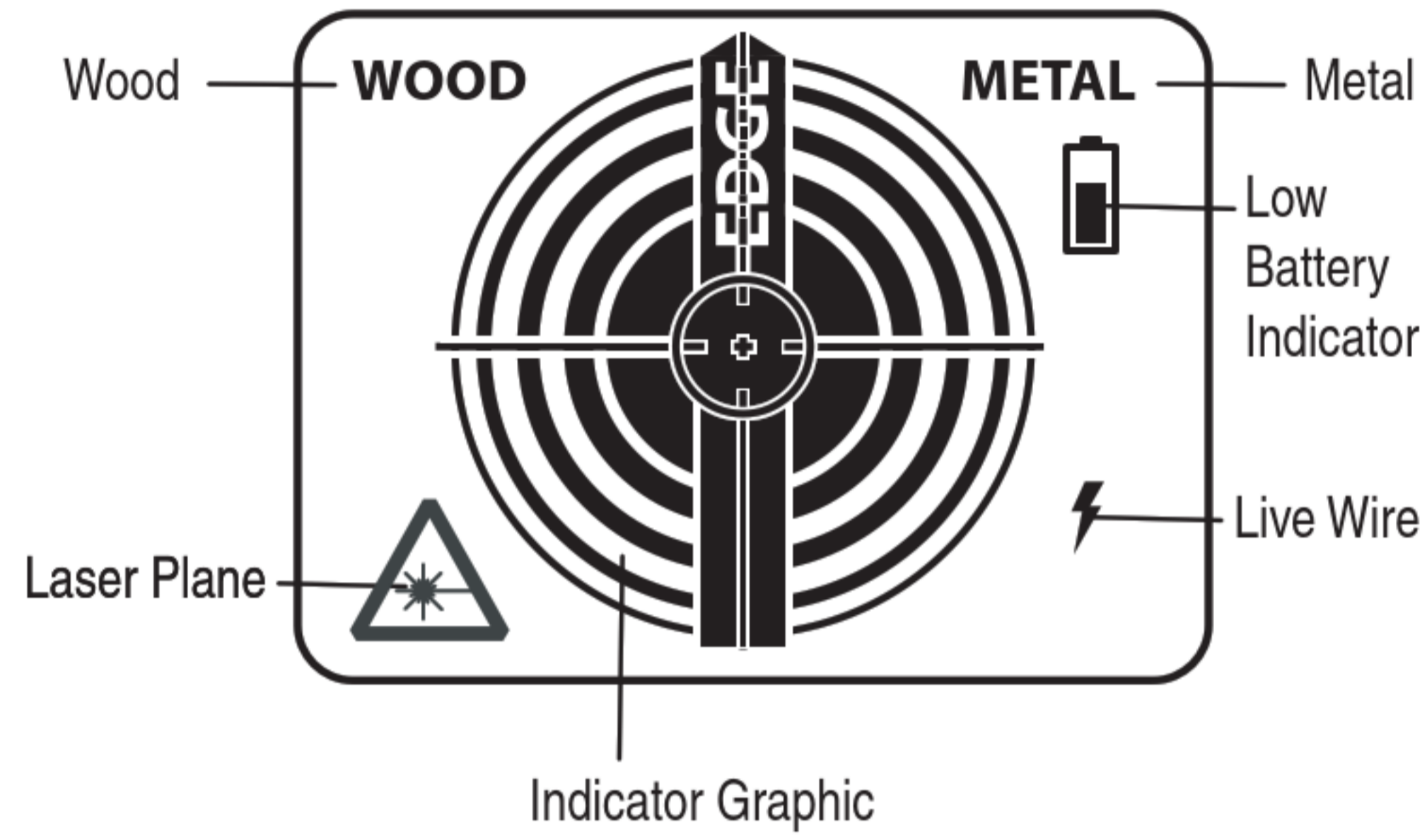
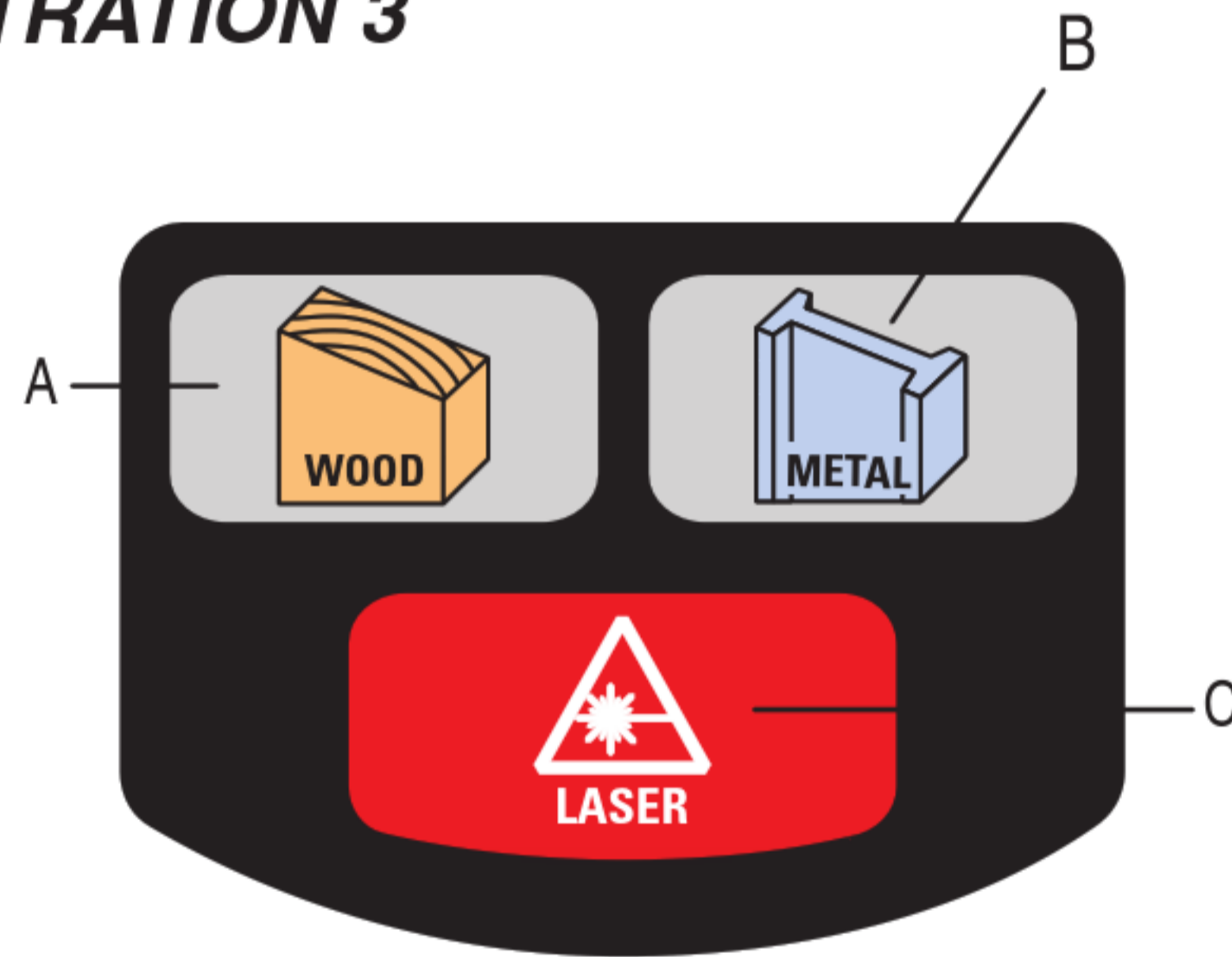


ILLUSTRATION 3



- A: Wood Stud detection mode
- B: Metal Stud detection mode
- C: Laser line on/off button

Operating Instructions

Battery Replacement

Open the battery door on back of unit and connect a 9-volt battery to clip. Place battery back into case and snap battery door on. Recommend to replace a new 9 volt battery when low battery indicator is on.

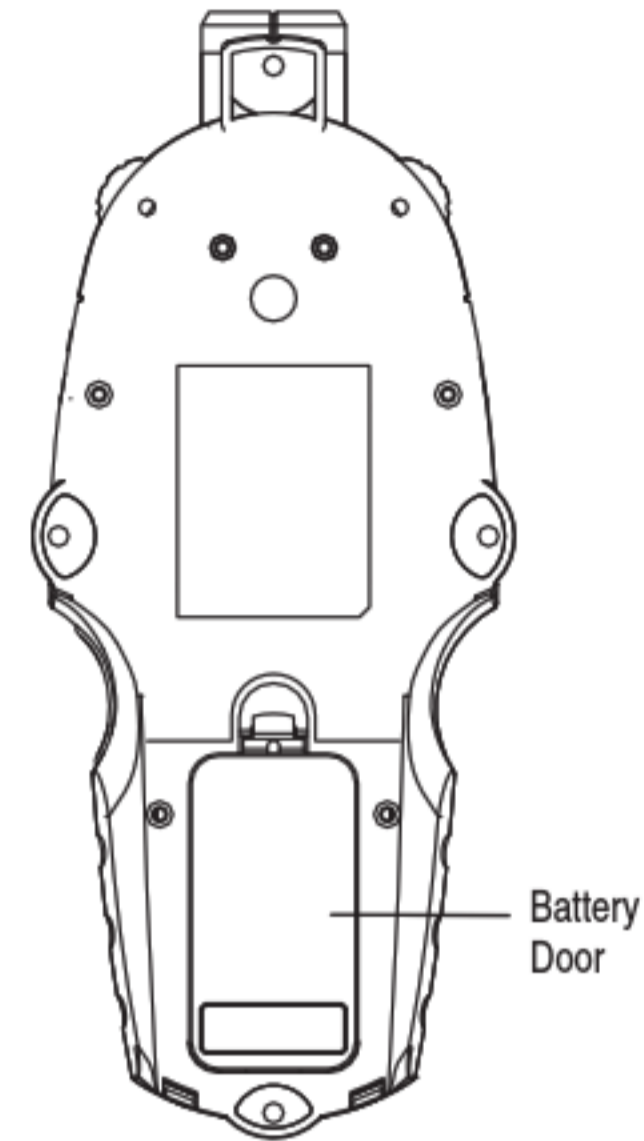


ILLUSTRATION 4

Calibration

Calibrate the unit on wall before scanning for wood or metal stud.

Note: While calibrating, the IntelliLaser™ Pro must **not** be placed directly over a stud, dense material such as metal, wet or newly painted areas as this will prevent the unit from calibrating properly. If this is done over wood or metal stud the unit will give no indication when moved away from the area. Move to a different location and try again.

1. Hold the IntelliLaser™ Pro flat against the surface, making firm contact. Press and hold the "On" button. All indicators on the LCD are displayed while the unit goes through its' 1 to 3 second calibration cycle. When calibrated, and illustration 5 will be shown on the LCD and a beep sound comes out.
2. Laser line is always on when holding the "On" button.
3. Keep holding "On" button during the stud detection.

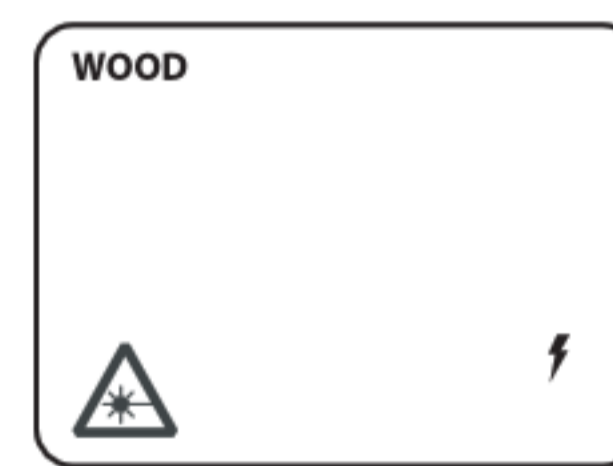


ILLUSTRATION 5

USAGE

Detecting Wood Studs

Wood Stud detection is set as the default when the unit is on.

1. Slide the unit across the surface in a straight line.
The closer the unit is to the stud the more bars will be shown as illustration 6. When the stud edge is detected the Wood indicator and the edge bar will be shown as illustration 7 and the unit will sound a repeating beep.
2. Use the indicator line to mark the stud edge.
3. Continue sliding past the stud. When the indicator turns off and the unit stops beeping the other edge has been detected.

4. Double check stud location by coming back from the other direction.
Make additional markings.

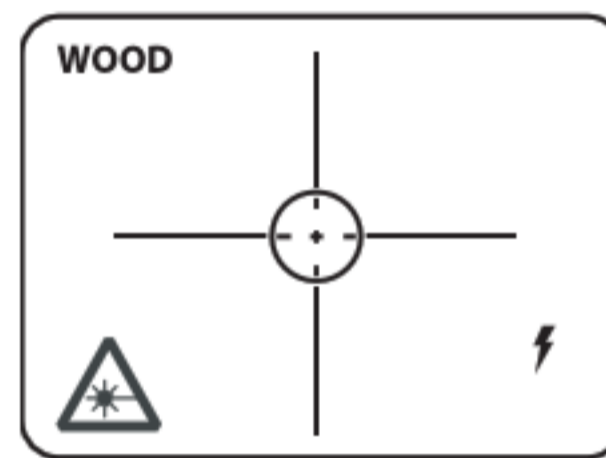


ILLUSTRATION 6

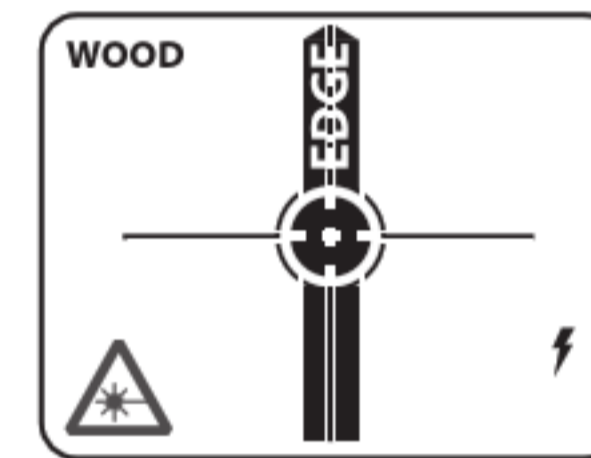


ILLUSTRATION 7

5. The midpoint of the marks indicates the stud center

Detecting Metal Studs

1. Press "Metal" button once and the LCD as shown in illustration 8. Press & keep holding the "On" button all the time during the stud detection



ILLUSTRATION 8

2. Repeat the procedure 1-5 as described in "Detecting Wood Stud".

Detecting Live Wires

The Live Wire Detection feature is always on and the "Live Wire" icon will be displayed on the LCD. When a Live Wire is detected, the red live wire LED indicator will be on.

Static electricity charges that can develop on drywall and other surfaces will spread the voltage detection area many inches to each side of the actual electrical wire. To aid in locating the wire position, scan holding the unit 1/2 inch away from the wall surface or place other hand on surface approximately 12 inches from sensor.

Warning: shielded wires or live wires in metal conduits, casings, metalized walls or thick, dense walls, will not be detected. Always turn AC power off when working near wiring.

The Intelli**Laser™ Pro** is designed to detect 110 volts (for USA version) and 230 volts for (European version) AC in live electrical wires. It will also detect the presence of live wires having greater than 230 volts.

Laser Plane

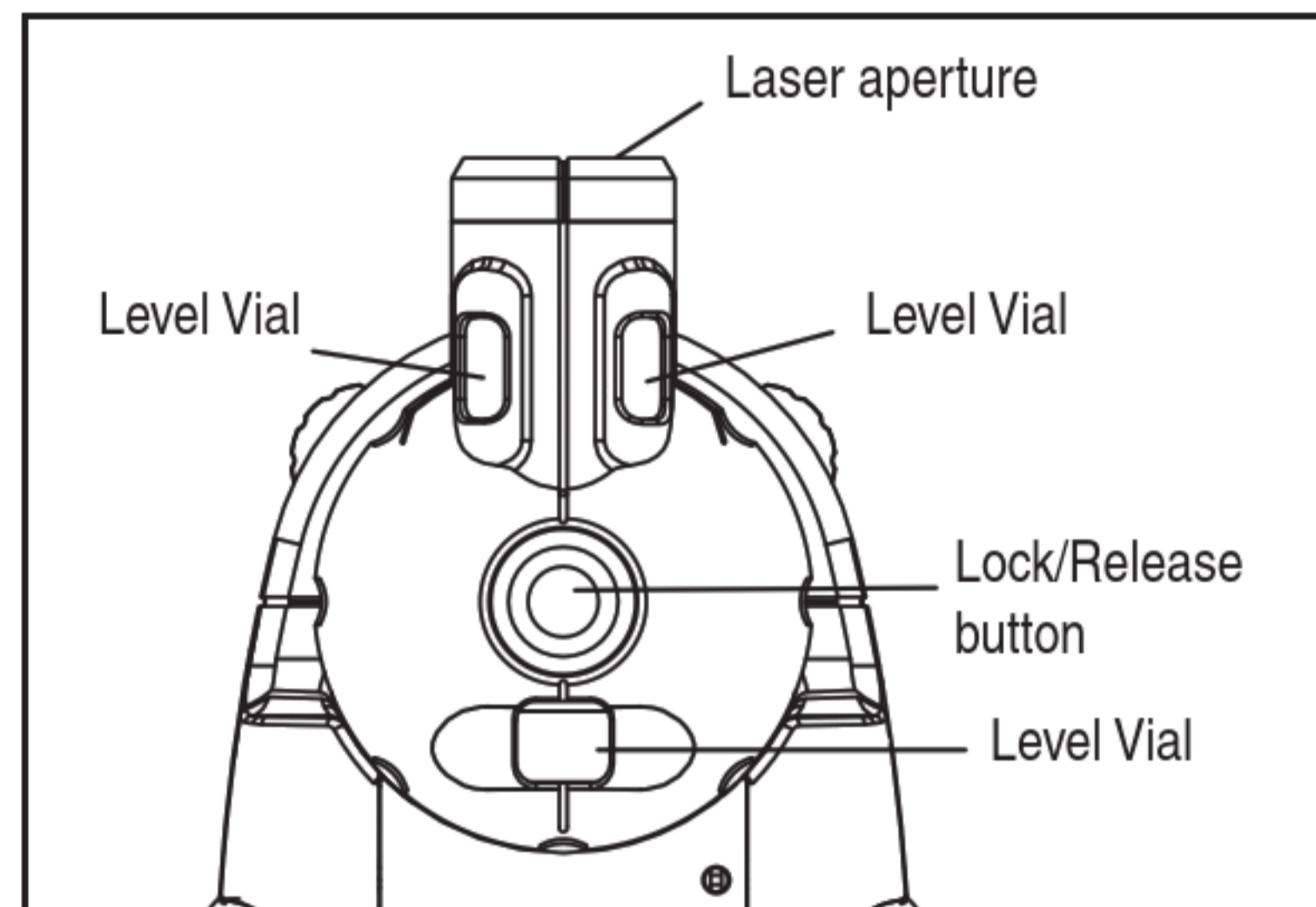


ILLUSTRATION 9

1. Laser plane in the stud detection mode is always on, a laser plane icon is also shown on the LCD. It can be turned off by pressing "Laser" button once.
2. Laser plane can also be turned on individually by pressing "Laser" button once or pressing again to turn it off.
3. The Laser plane will be auto - off after 1 hour.
4. Laser plane can be pivoted 90° degree clockwise or counter clockwise with 45° degree detents by pressing the laser plane lock/release button.

Mounting Hole an Push Pins

Two push pins are stored at the bottom part of IntelliLaser™ Pro. They are used to mount the IntelliLaser™ Pro on the wall through the mounting holes when needed.

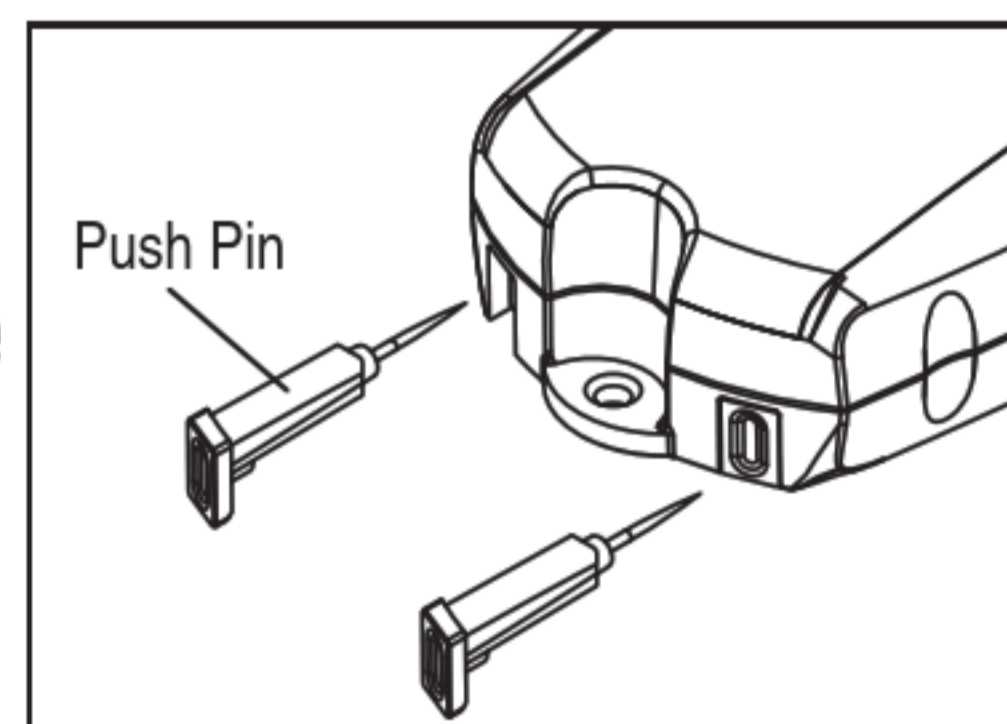


ILLUSTRATION 10

Adjustment Feet

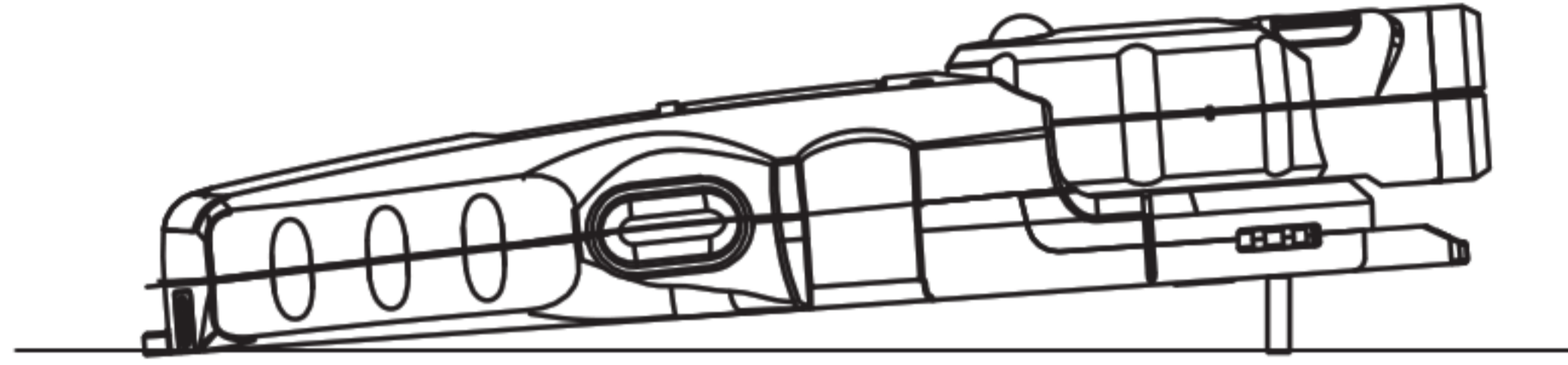


ILLUSTRATION 11

The adjustment feet allow the leveling of the Laser line on the horizontal or vertical surfaces.

Cautions on Operating

You should always use caution when nailing, cutting or drilling in walls, ceilings and floors that may contain wiring or pipes near the surface.

Shielded, dead or non-powered wiring will not be detected as live wires. Always remember that studs or joists are normally spaced 16 inches or 24 inches apart and are 1-1/2 inches in width. To avoid surprises, be aware that anything closer together or of a different width may be an additional stud, joist or fire break.

When working near AC electrical wires, always turn off the power.

Operating Tips

IMPORTANT SAFETY NOTICE

Insure proper detection of live wires ALWAYS hold the IntelliLaser™ Pro in the handle area only. Grasp between fingers and thumb while maintaining contact with your palm.

Conventional Construction

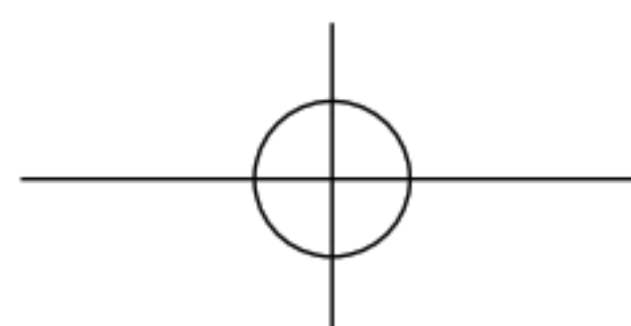
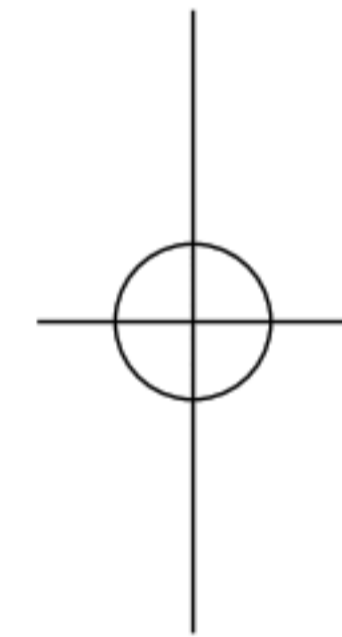
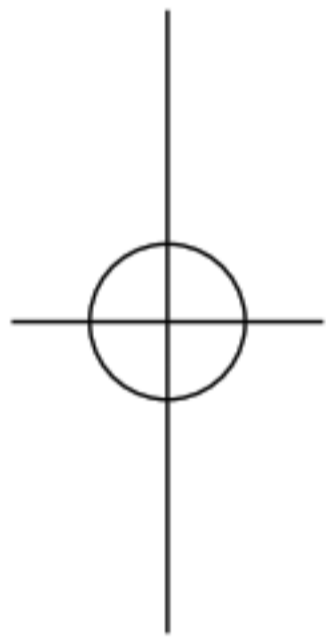
Doors and windows are commonly constructed with additional studs and headers for added stability. The Intelli**Laser™ Pro** detects the edge of these double studs and solid headers and emits and holds an audio signal as it crosses over them.

Surface Differences

Wallpaper—There will be no difference in the function of the stud sensor on surfaces covered with wallpaper or fabric unless the coverings contain metallic foil or fibers.

Plaster and Lath — Unless the plaster and lath is exceptionally thick or has metal mesh in it there will be no problem with the unit functioning properly.

Ceiling or Textured Surfaces — When dealing with a rough surface such as a sprayed ceiling, use a piece of cardboard when scanning the surface. Run through the calibration technique described earlier WITH the piece of cardboard between the stud sensor and the surface. Also, it is particularly important in this application to remember to keep your free hand away from the unit.



Specifications

Utilizing the procedure of scanning and marking from two sides, Intelli**Laser™ Pro** will find the stud center with 1/8" accuracy for wood and 1/4" accuracy for metal.

When measuring a wood or metal stud, it is recommended the IntelliSensor™ to be used at 33-55% relative humidity.

Battery:	9 volt (not included)
Shock Resistance:	up to 3 feet
Operating Temperature:	+20°F to +120°F (-7°C to +49°C)
Storage Temperature:	-20°F to +150°F (-29°C to +66°C)

Laser diode: 650nm class IIIA

Laser accuracy: 1/2" at 20 feet

Length of projected Laser Line: up to 20 feet

This is a Class IIIA (U.S. version) or IIIR (Europe version) laser tool and is manufactured to comply with international safety rule IEC 285.

Warranty

The Stanley Works warrants the Intelli**Laser™ Pro** against defects in material and workmanship for one year from the date of purchase. Deficient products will be repaired or replaced at Stanley's discretion if sent to:

The Stanley Works
Customer Service
Repair Department
480 Myrtle Street
New Britain, CT 06053

Stanley's liability under this warranty is limited to repair or replacement of the unit. Any attempt to repair the product by other than factory authorized personnel will void this warranty. Calibration, batteries and maintenance are the responsibility of the user. Where permitted by law, Stanley is not responsible for incidental or consequential damages. Agents of Stanley cannot change this warranty. Stanley is not responsible for damage resulting from wear, abuse or alteration of this product. The user is expected to follow ALL operating instructions.

This warranty may provide you with additional rights that vary by state, province or nation.