

USER'S MANUAL

SB-10

by

Star Micronics

CONTENTS

TABLE OF TABLES

INTRODUCTION

SECTION 1

SETTING UP YOUR PRINTER

1

- The Complete Printer Package
- Placement of the Printer
- How to Assemble the Printer
- Features of the Printer
- The Control Panel
- Dual In-Line Package (DIP) Switches
- How to Load Paper Into the Printer
- Adjusting the Print Head Gap
- How to Print the Self-Test
- Connect the Interface Cable to Your Computer

SECTION 2

WORD PROCESSING WITH THE PRINTER

17

- An Introduction to ASCII Codes
 - Decimal Codes
 - Hexadecimal Codes
 - Escape and Control Codes
 - Word Processing for All Purposes
 - Providing Information to Your Word Processing Package
-

SECTION 3

GETTING THE MOST FROM YOUR SPREADSHEET PACKAGE

23

- Printing Commands and Parameters for Three Popular Spreadsheets
- VisiCalc
 - VisiCalc Setup Codes
 - The VisiCalc Print Command
- SuperCalc
 - The SuperCalc Setup Codes
- Lotus 1-2-3
 - The Lotus Print Commands
 - The Lotus Options Menu

SECTION 4

EXPLORING PRINT FEATURES

29

- The Letter-Quality (LQ) Mode
 - Double-Strike Printing
 - Emphasized Printing
 - Underlining Text
 - Proportional Printing
- The Draft-Quality Mode
- A Variety of Pitch Sizes
 - Pica Pitch
 - Elite Pitch
 - Condensed Pitch
- Combining Print Features With the Macro Command
- International Character Sets

SECTION 5

CREATING PAGE FORMATS

39

- Setting the Left and Right Margins
 - Choosing the Page Length and Number of Lines Per Page
 - Setting the Top and Bottom Margins
 - Adjusting Line Spacing
 - Superscripts and Subscripts
 - Vertical Tabs
 - Horizontal Tabs
-

SECTION 6

PROGRAMMING IN BASIC

47

A Word About MBASIC

The Character String (CHR\$)

Expanded Type

Emphasized and Double-Strike Printing

Underlined Printing

Superscripts and Subscripts

Line Spacing and Reverse Line Feed

SECTION 7

BASIC MAINTENANCE PROCEDURES

53

Preventive Maintenance

How to Clean the Printer

Replacing the Fuse

Replacing the Print Head

Checking the Printer for Correct Operation

APPENDIX A

FUNCTION CODE REFERENCE

61

Font Styles and Print Controls

Formatting Controls

APPENDIX B

INSTALLING THE PRINTER INTO YOUR WORD PROCESSING PACKAGE

95

The Installation Menu

Installing Special Features

APPENDIX C

THE ASCII CODE CONVERSION CHART

101

APPENDIX D

DUAL IN-LINE PACKAGE (DIP) SWITCHES

109

DIP Switch Settings and Their Functions

Selection of the International Character Set

APPENDIX E

<i>CHARACTER SETS OF THE PRINTER</i>	<i>111</i>
Letter-Quality (LQ) Character Set	
Draft-Quality (DQ) Character Set	
International Character Set	
Block Graphics Character Set	

APPENDIX F

<i>DESIGNING BIT-IMAGE GRAPHICS</i>	<i>115</i>
Four Modes for Bit-Image Graphics	
Printing 8-Bit Graphics	

APPENDIX G

<i>TECHNICAL SPECIFICATIONS</i>	<i>125</i>
----------------------------------------	-------------------

APPENDIX H

<i>INTERFACES</i>	<i>129</i>
The Parallel Interface	
The Serial Interface	
The IEEE-488 Interface	

<i>INDEX</i>	<i>137</i>
---------------------	-------------------

<i>FEDERAL COMMUNICATIONS COMMISSION RADIO FREQUENCY INTERFERENCE STATEMENT</i>	<i>140</i>
--------------------------------------------------------------------------------------------	-------------------

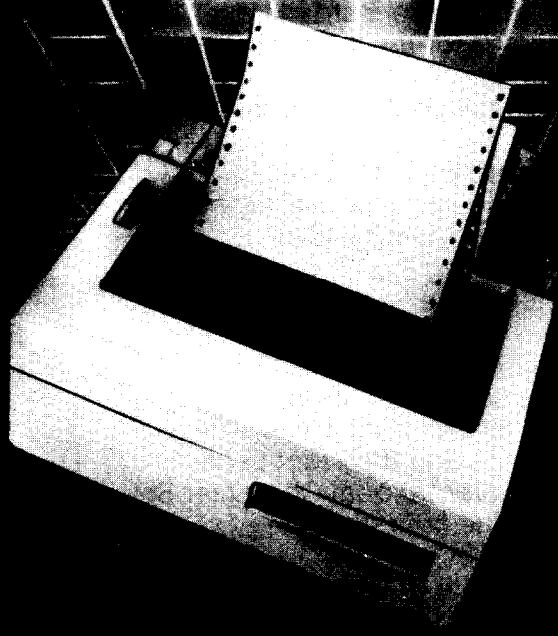
<i>STAR MICRONICS WARRANTY</i>	<i>141</i>
---------------------------------------	-------------------

<i>COMMAND QUICK REFERENCE</i>	<i>145</i>
---------------------------------------	-------------------

TABLE OF TABLES

1-1.	Slide positions for determining the left margin	8
2-1.	Examples of decimal and hexadecimal codes	18
2-2.	Examples of escape and control codes	19
3-1.	The various draft-quality pitch sizes and their VisiCalc setup codes	24
3-2.	SuperCalc setup codes for the draft-quality pitch sizes	25
3-3.	Lotus 1-2-3 setup codes for the draft mode pitch sizes	27
4-1.	The codes for double-strike printing	30
4-2.	The codes for emphasized printing	31
4-3.	The codes for underlining text	31
4-4.	The codes for proportional spacing	32
4-5.	Codes for the LQ and DQ modes	32
4-6.	The codes used to activate pica printing	33
4-7.	The codes used to activate elite printing	34
4-8.	The codes to activate condensed printing	34
4-9.	The codes for the macro instruction	35
4-10.	DIP switch settings for the International Character Sets	36
4-11.	Codes used to activate the International Character Sets	36
5-1.	Setting the left and right margins	40
5-2.	Setting the page length, number of lines per page, and the top and bottom margins	41
5-3.	Adjusting line spacing	42
5-4.	Printing superscripts and subscripts	42
5-5.	Setting and using vertical tabs	43
5-6.	Setting and using horizontal tabs	44
6-1.	Expanded print conversion chart	48
A-1.	Options for the master print mode	88
D-1.	DIP switch settings and their functions	109
D-2.	Selection of the International Character Set	110
F-1.	Setup codes for the printer's four graphics modes	118
F-2.	Calculating the width of your graphic image	119
H-1.	Parallel interface connector signals	131
H-2.	Connector signals for the serial interface	133
H-3.	Connector signals for the IEEE-488 interface	136

SB - 10



INTRODUCTION

Congratulations for choosing this printer, one of the finest available at any price. Your new printer will reward you with many years of high-quality document printing, and is backed by Star Micronics' more than 30 years in manufacturing precision parts. You already know that it represents the state of the art in tack-sharp dot matrix printing with its rugged 24-pin print head. Its bidirectional, logic-seeking operation gives you letter-quality hardcopy at 54 cps, and draft-quality print at speeds of up to 144 cps.

Its many features include:

- High-resolution graphics
- Built-in expandable buffer
- An entire range of character sets for printing in eight languages
- A host of specialized printing capabilities found in only the finest printers

And, best of all, your new printer is compatible with the most popular personal computers and software packages—so no matter how sophisticated your applications become, it will continue to meet your needs.

These are just a few of the reasons you chose a product by Star Micronics, one of the most respected names in dot matrix printers. We want you to get the most from your printer with the least effort on your part, so please take a few minutes to read this easy-to-understand guide. You'll find that it will help you produce crisp, clean documents in the shortest time possible.

You will also find that this printer is remarkably simple to set up and operate, and that it's virtually maintenance-free. Enjoy your new Star Micronics printer!

SECTION

1

SETTING UP YOUR PRINTER

WHAT THIS SECTION SHOWS YOU:

- *The Complete Printer Package*
 - *How To Assemble the Printer for Operation*
 - *Features of the Printer*
 - *Dual In-Line Package (DIP) Switches*
 - *How to Load Paper Into the Printer*
 - *How to Print the Self-Test*
-

As you unpack your new printer, please take special care to verify the complete contents of the printer package:

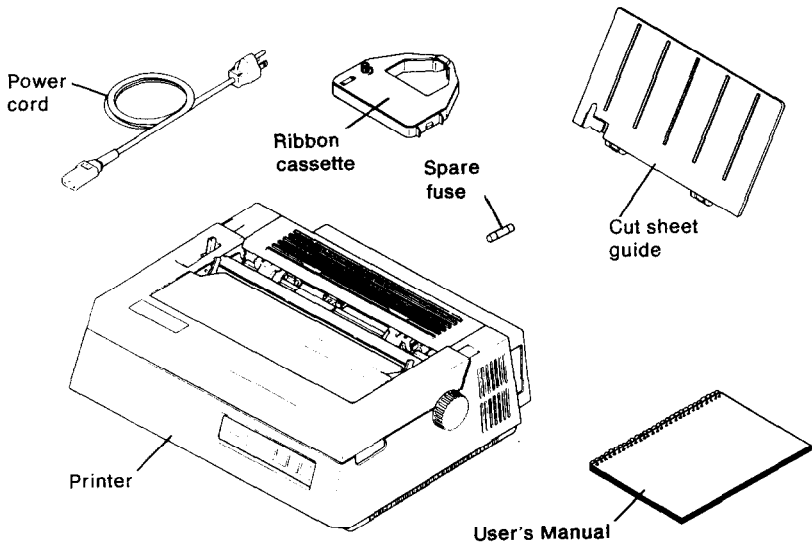


Figure 1-1. The complete printer package

You'll find your Star Micronics warranty and registration card with this book. Please read the warranty carefully, and mail us the completed registration card as soon as possible. We place a high value on the information only you can provide.

This printer has been precision-packed to ensure its arrival in perfect working order. Lift the front cover, and you'll find the packing material used to protect it during shipment. Be sure to remove this interior packing material from the carriage stay before you assemble the printer.

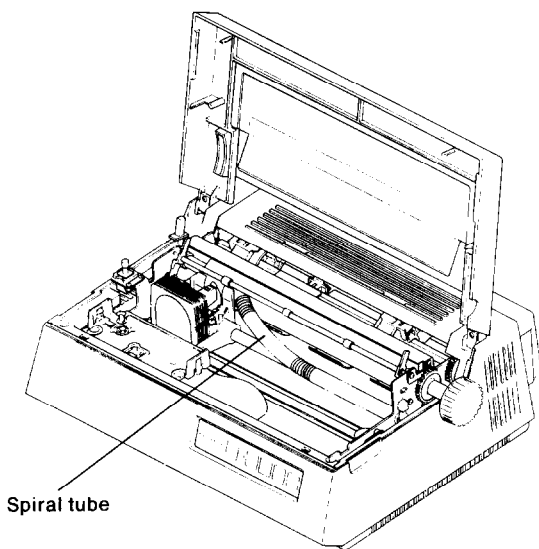


Figure 1-2. Interior packing material.

■ **PLACEMENT OF THE PRINTER**

To ensure the long life and proper operation of your printer, please consider the following suggestions when you select a location near the computer.

- Place the printer on a flat, stable surface.
- Avoid direct sunlight or indoor heat sources; as a general rule, use it only in an environment where you are comfortable.
- Be sure the area is free from dust, dirt, and excess humidity.
- Provide a power source with the correct voltage (there should be no more than 10% variance above or below the voltage specified on the printer's identification plate.)
- Don't plug any other appliances into the outlet occupied by the printer (except the computer).

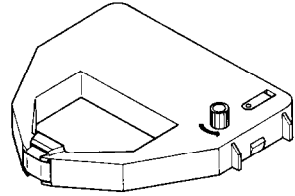
■ HOW TO ASSEMBLE THE PRINTER

Now you're ready to set up your printer for operation. Make sure the printer is turned off before you begin.

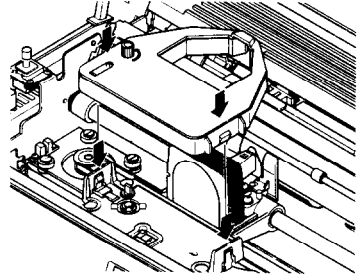
Load the ribbon cassette:

Loading and replacing the one-piece ribbon cassette is a simple and clean procedure:

Turn the knob on the cassette counter-clockwise to tighten the ribbon.



Snap the cassette onto the carriage, as shown in the illustration.



Check to make sure the ribbon lies flat between the print head and the print mask. Again, turn the knob to take up any slack.

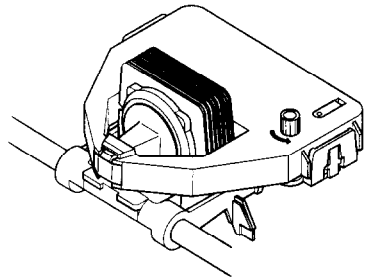


Figure 1-3. Loading the ribbon cassette.

Your printer has been supplied with an extended-use multistrike ribbon cassette. Because this type of ribbon has no end detector, we suggest that you replace it whenever the print quality becomes faded or uneven.

NOTE: Always make sure the printer is off before removing or replacing the ribbon cassette. If the printer has been in operation, be careful not to touch the print head or metal housing on the carriage—they will be very hot. Use both hands to remove the cassette, grasping it by the edges.

Attach the cut sheet guide:

This plastic guide is used to feed single-sheet paper or business forms into the printer. (If you are using perforated “tractor-feed” paper, you won’t need it at this time.)

To attach the guide, insert its two tabs into the notches on the back cover of the printer.

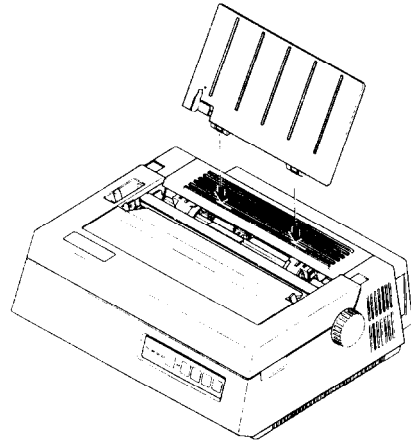


Figure 1-4. Assembly of the cut sheet guide.

Connect the power cord to the printer:

Begin by inserting the cord into the three-prong connector on the back of your printer.

NOTE: Make sure the power switch is off before connecting the power cord to a wall outlet.

Plug the power cord into your 120 VAC power source. We highly recommend that you use a surge protector between the printer and power source. This simple device—available at your local computer store—prevents any potentially damaging fluctuations from reaching

your printer. If you're not using a surge protector, make sure that your printer and computer are the only devices plugged into the AC outlet.

■ FEATURES OF THE PRINTER

The simple steps you've just performed have readied the printer for operation. Before you turn on the printer, take a few minutes to become familiar with its features.

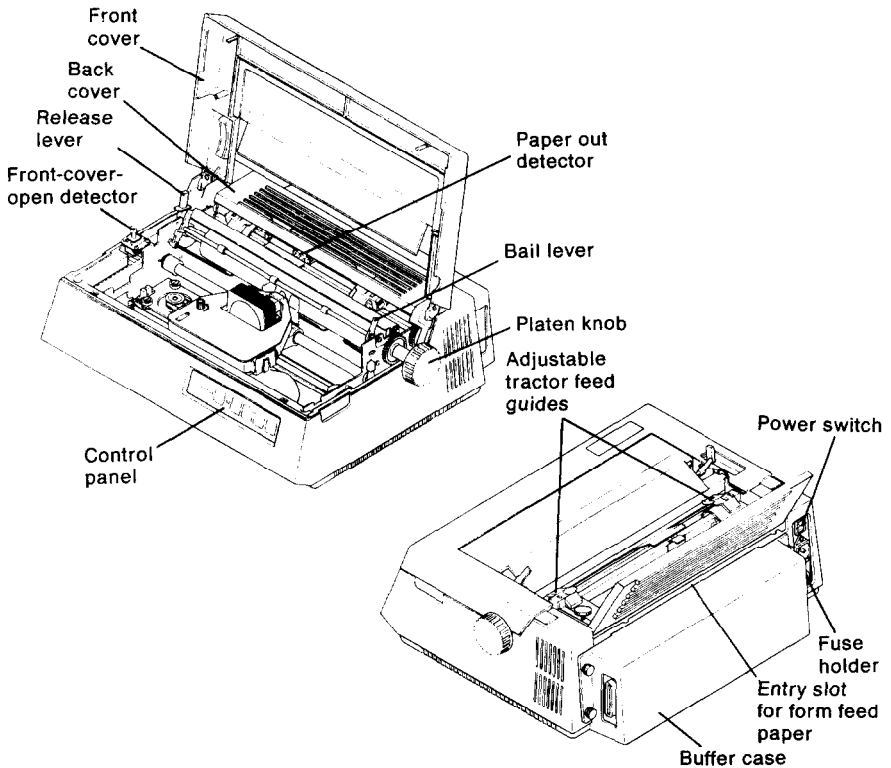


Figure 1-5. Features of the printer

Release lever: Adjusts tension on paper. Has two settings: "friction" (closed) for single sheets and "tractor" (open) for form feed paper.

Paper out detector: Sounds alarm and puts printer into "Pause" mode when it senses end of paper during operation. Adjust DIPswitch 1-1 to the OFF setting to override this function.

Bail lever: Opens and closes paper bail.

Back cover: Flips open to access built-in tractor feed mechanism.

Platen knob: Allows manual adjustment of paper against platen.

Control panel: Contains indicators and touch controls to monitor and operate printer (see Figure 1-6).

Front cover: Protects interior mechanisms and reduces noise. (Must be closed before printer will operate.)

Front cover open detector: Puts printer into "Pause" mode when cover is opened during operation.

Power switch: Turns printer on or off.

Fuse holder: Contains 5MT 2 amp fuse.

Buffer case: Contains optional buffer and parallel or serial interface.

Interface connector: Connects cable (parallel or serial, depending on configuration) to your computer.

Entry slot for form feed paper: Feeds paper to the tractor feed guides.

Adjustable tractor feed guides: Directs form feed paper to the platen.

■ THE CONTROL PANEL

Now take a closer look at the control panel on your printer. This panel contains all the controls and indicators you will need for the routine operation and monitoring of the printer

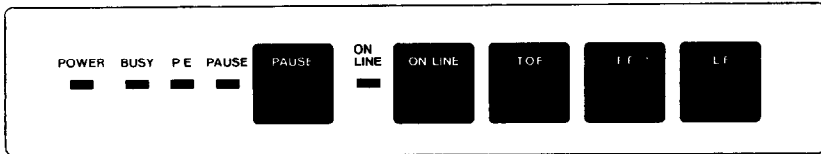


Figure 1-6. The printer control panel.

Power lamp: Glows green to indicate power on.

Busy lamp: Indicates buffer is temporarily full, and printer is unable to accept new data. Light goes out when buffer has cleared all stored information. Your computer should automatically send new data to the printer.

Paper empty (PE) lamp: Signals you to add paper. Printer stops when paper runs out, and resumes printing at the same location after new paper is added.

Pause lamp: Indicates pause button has been activated or front cover has been opened. Printing resumes when condition is cleared.

Pause button: Pressing this button interrupts printing. This feature is useful for inserting or adjusting paper, replacing the ribbon cassette or checking printed copy while a page is in progress. Press this button a second time to reactivate printer.

On line lamp: This lamp glows green, when the printer is "on-line" and ready to accept data transmissions from the computer.

On line button: When "on-line" the printer will accept data and instructions from your computer. The TOF, FF and LF switches are inoperative while the printer is on-line. When "off-line" data transmissions are disabled and the control panel switches are enabled.

Top of form (TOF) button: Used to set the starting point for single-sheet or form feed paper.

Form feed (FF) button: Used to manually advance form feed paper.

Line feed (LF) button: Press to advance paper one line at a time. Press and hold to advance paper continuously.

■ DUAL IN-LINE PACKAGE (DIP) SWITCHES

In addition to the features you have just seen, your printer also has 18 Dual In-line Package (DIP) switches to help determine the way it handles information from your computer. Before examining the DIP switches, turn off the printer.

To find the DIP switches, lift the cover and manually move the carriage to the far left. On the right-hand side of the printer's interior you'll see a small rubber cover. Carefully pull the cover back; the DIP switches are directly below it. These switches are preset at the factory, so please leave them in their present position for the time being.

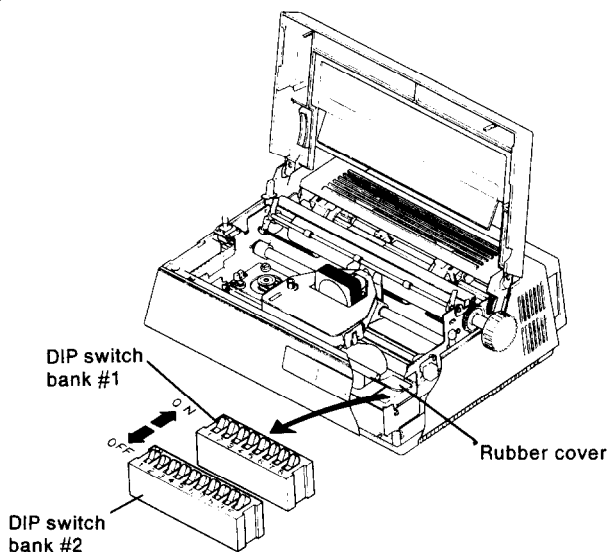


Figure 1-7. Dual In-line Package (DIP) Switches.

The DIP switches are used to control the many functions of your printer, including:

- Character pitch
- Form length
- Line spacing
- Paper-out detector

- Letter-quality/draft-quality print selection

- International Character Sets

Throughout this manual, we'll show you how to use these switches to tailor the printer's printing to your exact specifications. (For more information on the positioning of the DIP switches, please see Appendix D.)

■ HOW TO LOAD PAPER INTO THE PRINTER

As you become acquainted with your printer, you'll appreciate it more and more for the conveniences it offers you—especially its ability to accept single-sheet and form-feed paper without requiring any external devices. Read on, and you'll discover how to use both kinds of paper in it.

Single-sheet loading:

This printer is designed to print on standard-size stationery, multilayer business forms, and almost any other kind of cut-sheet paper. We'll show you how to load paper of varying thicknesses later in this section. For now, all you need is a standard 8 1/2-by-11-inch sheet of paper.

- If you haven't installed the cut-sheet guide yet, please do it now. (Please refer to Fig.1-4.)
- You can use the adjustable metal slide on the paper guide to set your left margin. The positions are as follows:

Table.1-1 Slide positions for determining the left margin

SLIDE POSITION	PRINT DISTANCE FROM LEFT MARGIN
left edge	.64 in.
center	.25 in.
right edge	.05 in.

When you have set the metal slide for the margin you want, you're ready to insert the paper.

- Turn the power switch off.
- Open the paper bail by pulling the lever toward you.
- Insert a sheet of paper straight down into the printer, turning the platen knob clockwise (away from you). Open the cover and roll the paper onto the platen.
- Close the paper bail by pushing the lever away from you.
- Close the cover and align the top edge of the paper with the cutting edge of the shield. Turn the printer on.

When the paper is in this position, printing begins at about 2 inches from the top of the page. You can adjust the start-point as you wish, by using the Line Feed button to advance the paper one line at a time. Remember to first put the printer into the "Pause" mode by pressing the "Pause" button.

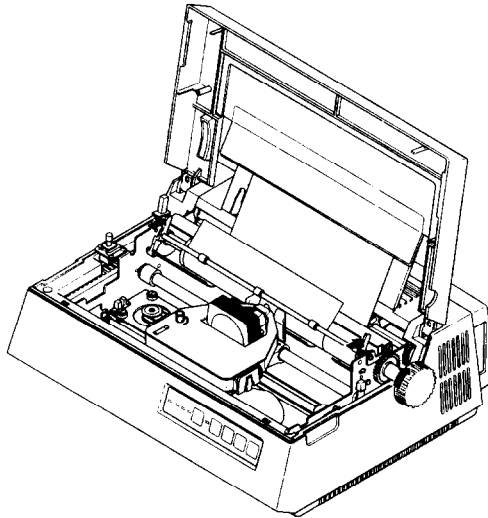


Figure 1-8. Loading single-sheet paper.

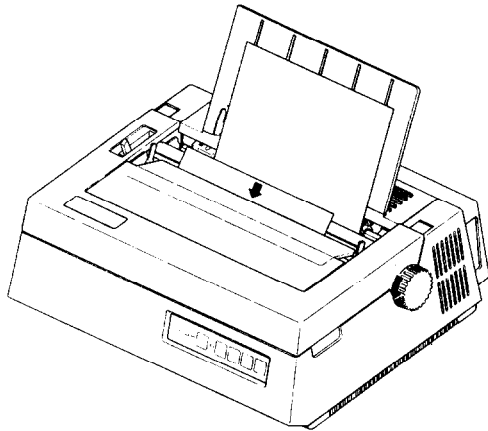


Figure 1-9. Aligning the page with the cutting edge of the shield.

Form-feed loading:

Your printer's built-in tractor feed device is one of the most convenient features ever offered in a printer. It works with standard form-feed paper as well as with laser-perforated, form-feed bond paper— so you can produce top quality documents with a swift, continuous feed. Here's how it works:

- Turn off the power switch to avoid damaging the gears and raise the hinged back cover. (If you have attached the cut-sheet guide, you'll need to remove it now.)
- Loosen the clamp screws and flip up the covers on each of the tractor units.
- Insert the form-feed paper through the slot beneath the back cover of the printer; line up the tractor units with the sprocket holes in the paper.
- Press the paper into place on the sprockets, and snap the covers down on the tractor units. Tighten the knobs.

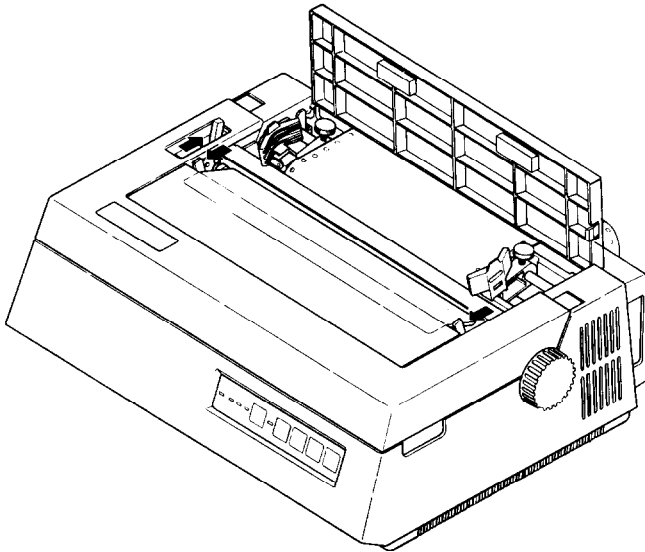


Figure 1-10. Inserting form feed paper into the printer.

- Open the paper bail (pull the lever toward you). Set the paper release lever in the "tractor" position (open) by pushing the lever away from you.
- Advance the paper into printing position by turning the platen knob clockwise. (You may want to open the front cover first, to be sure the paper clears the cutting edge.)

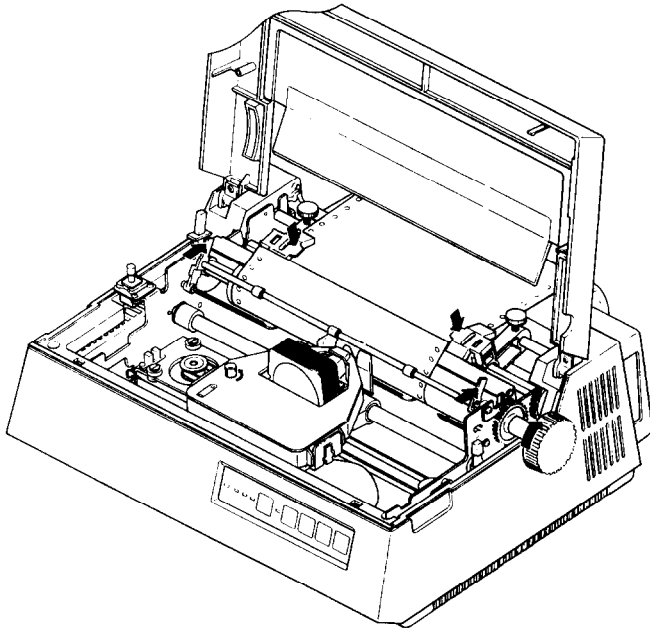


Figure 1-11. Form feed paper correctly loaded.

- Close the paper bail and the front and back covers; turn the printer on.

You can now check the operation of the automatic tractor feed. Press the Form Feed (FF) button to advance the paper to the next page, after pressing the "Pause" button.

■ **ADJUSTING THE PRINT HEAD GAP**

This printer is designed to accommodate paper of varying thicknesses, as well as multilayer forms. You can easily ensure correct printing with a simple adjustment to the print head gap.

- Lift the front cover, and find the red lever just in front of the platen knob.

FOR THICK (HEAVYWEIGHT) PAPER OR CARD STOCK: Pull the lever toward you to widen the gap.

FOR THIN (LIGHTWEIGHT) PAPER: Push the lever away from you to narrow the print head gap.

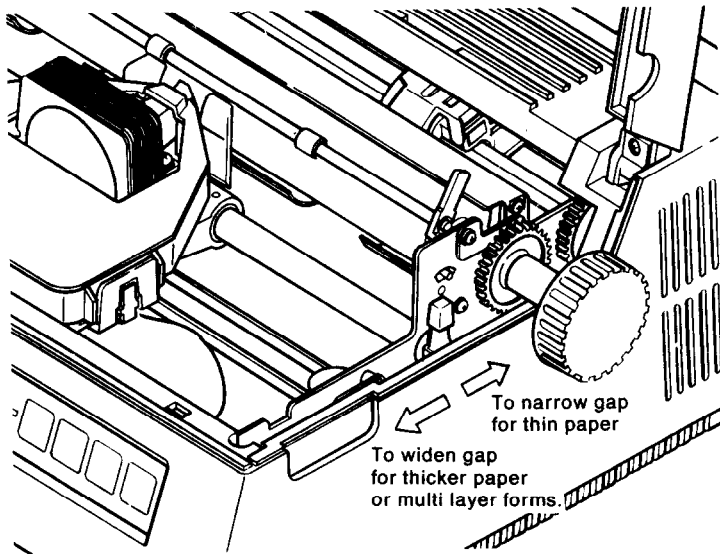


Figure 1-12. Adjust the print head gap.

By experimenting with this lever, you will learn which position will yield the highest quality print for the paper you're using.

■ **HOW TO PRINT THE SELF-TEST**

Eager to see the beautiful, high-density dot matrix characters your new printer can produce? We thought so!

You can easily view a sample of its work by printing the self-test. The self-test confirms both the correct operation of the printer and the proper loading of paper and ribbon cassette.

You won't need to connect your computer to print the self-test—just be sure the printer is plugged into a power source and is turned off.

- Insert a sheet of paper (or form-feed paper) as you learned in "How to Load Paper Into the Printer."
- Press and hold the Line Feed (LF) button, and at the same time, turn the power switch on.
- When the printer begins printing, you can release the Line Feed button.

NOTE: Always be sure the ribbon cassette is in place and there is paper in the printer when you begin printing.

The printer will print a five-line sample of letters, numbers and symbols in the letter-quality and draft-quality modes.

- To eject the page, press the Pause button; then press Form Feed (FF).

Now take a close look. Beautiful, isn't it? And this is only the beginning. . .

■ **CONNECT THE INTERFACE CABLE TO YOUR COMPUTER**

You'll be printing in just minutes, once you've connected the printer to your computer with an interface cable. Three kinds of interfaces are available with this printer: parallel, serial, and an interface called IEEE-488. You will probably be using a parallel interface, the easiest connection to make:

- Turn off the printer and computer.
- Plug one end of the cable into the parallel interface connector on the printer; plug the other end into the parallel connector on your computer.

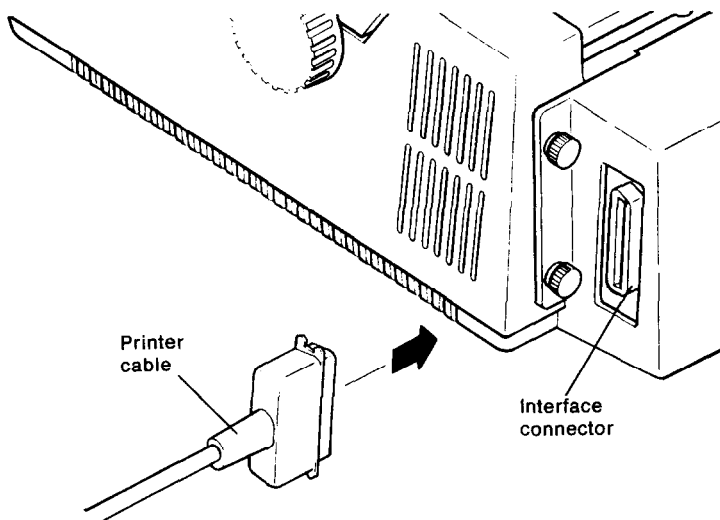


Figure 1-13. The parallel interface connection.

There's only one way to attach the connector, so you can't go wrong.

(For information on serial and IEEE-488 interfaces, please see your Star dealer.)

★ ★ ★ ★ ★ ★ ★ ★ ★ ★

In the next section, you'll see how easy it is to use the printer with your favorite word processing programs.

MEMO



#

2

WORD PROCESSING WITH THE PRINTER

WHAT THIS SECTION SHOWS YOU:

- *How to Use ASCII Codes for the Features You Want*
 - *Installing Your Word Processing Package*
-

If you're already familiar with ASCII codes, you may want to skip to the next part in this section, where you'll begin using them in your word processing program. For those who are new to codes, read on and we'll show you how to use them to get the most from your printer.

■ AN INTRODUCTION TO ASCII CODES

When you get into your car to go for a drive, the first thing you do is shift into gear. If your car has automatic transmission, you won't have to shift as often as you would with a manual transmission—but in either case, of course, your car gets you where you're going.

Printing with your computer is similar to driving in that you'll "shift" every now and then to take advantage of your printer's variety of features—only you'll use codes from your computer to do the shifting. Now, whether you use codes often or seldom can depend on both your software package and your printing needs, as you will see. But first, let's take a look at what codes are, and how you will enter them through your keyboard.

Like a typewriter, your printer understands each character on the keyboard, whether it's a letter, a number, or a symbol. But since there aren't any keys marked "Letter-Quality", "Expanded Print", or "Boldface", you will activate each of these features by entering a code; that is, a short series of keystrokes through the keyboard.

Most computers, printers, and peripheral devices understand specific types of codes known as ASCII codes. ASCII (pronounced "ask-key") stands for the American Standard Code for Information Interchange. This standard code provides a common ground for computers and related devices to "talk" to each other, and transfer data in a way that each can understand. And though there is an ASCII code for each letter, number, and symbol that we use (please see Appendices C and E) you will probably not need to know them for your day-to-day applications. However, you will want to use ASCII codes to activate the special functions of your printer, so let's take a closer look at how they work.

Each ASCII code is available in a number of different forms for programmers and software writers, as well as for those of us whose main applications are word processing and spreadsheets. For example, the code for each different function can be entered in both its decimal and hexadecimal forms, as shown in Table 2-1 below.

Table 2-1. Examples of decimal and hexadecimal codes.

FUNCTION	DECIMAL CODE	HEXADECIMAL CODE
Select the Draft-Quality Mode	27 53	1B 35

Decimal codes

The decimal code is a common representation of ASCII codes, and is used mainly for writing programs in BASIC. Decimal codes are so named because their values are expressed using the decimal—or "base 10"—numbering system. Although you may not need them very often, we have included the decimal codes for each of the printer's functions, and you can find them in Appendix A of this manual.

If you are writing in BASIC, you will notice that we also provide the complete BASIC command used to "capture" each decimal code using the character string function, or CHR\$. (For an in-depth look at programming in BASIC, please turn to Section 6.)

Hexadecimal codes

The name for the hexadecimal code comes from its expression using the hexadecimal—or "base 16"—numbering system. Hexadecimal codes are used mainly by assembly language programmers, but they can come in handy when you're "installing" any one of the printer's functions into your word processing program. For example, if you use any other form of ASCII code as you install the "activate superscript" function into WordStar, your software will respond by displaying on your screen the equivalent of the code in its hexadecimal form. Then, comparing the hexadecimal value on the screen

with the corresponding hexadecimal value in Appendix B, you can confirm that you're entering the code correctly.

It's important to remember that decimal and hexadecimal codes are simply different expressions of the same ASCII code—and there are other expressions of ASCII codes as well.

“Escape” codes and “Control” codes

Many ASCII codes can be entered quickly and easily into your software package with the use of either the escape key or the control key—in conjunction with other keys on your computer keyboard. Escape codes and control codes have their decimal and hexadecimal equivalents, as shown in Table 2-2. (When you see the <ESC> instruction, you are to press the escape key before typing the companion character; “^” instructs you to hold the control key down while typing the companion character.)

Table 2-2. Examples of escape and control codes.

FUNCTION	ESCAPE	CONTROL	DECIMAL	HEXADECIMAL
Select the Draft-Quality Mode	<ESC> 5	—	27 53	1B 35
Set Print Pitch to Pica	<ESC> P —	— ^R	27 80 18	1B 50 12

■ WORD PROCESSING FOR ALL PURPOSES

This printer is designed to perform the entire range of printing functions with all commercially available word processing packages. And whether you're penning the next blockbuster novel or just writing home to Mom, we think it will more than meet your needs.

Word processing packages usually have an internal program for setting up—or “installing”—your printer, and dealers will often perform this installation at no extra charge. But to give you a better understanding of the process, the following pages offer some general advice about installing your word processing programs.

■ PROVIDING INFORMATION TO YOUR WORD PROCESSING PACKAGE

If your word processing package has an installation program, the first thing it will want to know is the kind of printer you are using. Some installation programs present you with a list of specific brands and models of printers. If you don't see this printer on the list, you should still feel free to experiment with any of the dot matrix models on the list.

Another option you have is to type in a “generic” name, such as “standard”, “simple”, “teletype”, or “vanilla”. These options all

allow you to send your text "simply" to the printer. You can then send codes for special features as you need them. (The software manual will advise you on how to do this.)

Your best option, however, is with a program that offers a "custom" installation for printers. Custom installations usually require some highly detailed information about the way your printer works, but they give the best results. Following are the basic categories of information you'll need for a custom installation program.

•**Do you have a backspacing printer?**

Yes

•**What printer driver are you using?**

Primary list device

•**How many strikes are used for boldface printing?**

2 strikes

•**What is the communications protocol?**

No protocol for the parallel interface

•**What is the initialization code?**

DECIMAL: 27 64

HEXADECIMAL: 1B 40

•**What is the carriage return/line feed code sequence?**

DECIMAL: 13

HEXADECIMAL: 0D

(DIP switch 1-8 should be turned on)

Pitch size/characters per inch

As you know, this printer is a multiple-pitch machine, capable of printing in the pica (10-cpi), elite (12-cpi), and condensed (16.7 cpi) modes. Pica is the default setting for your printer, but you can change the default to elite if you wish, by entering the escape code <ESC> M or by turning off DIP switch 1-6.

Proportional spacing

Your printer can print proportionally spaced characters in the letter-quality mode.

Characters per line: When the printer is set to print in pica, it will print 80 characters per line. When set for the elite pitch, its line size is 96 characters per line. In the proportional mode, it prints approximately 80 characters per line.

Boldface and "Emphasized" printing modes

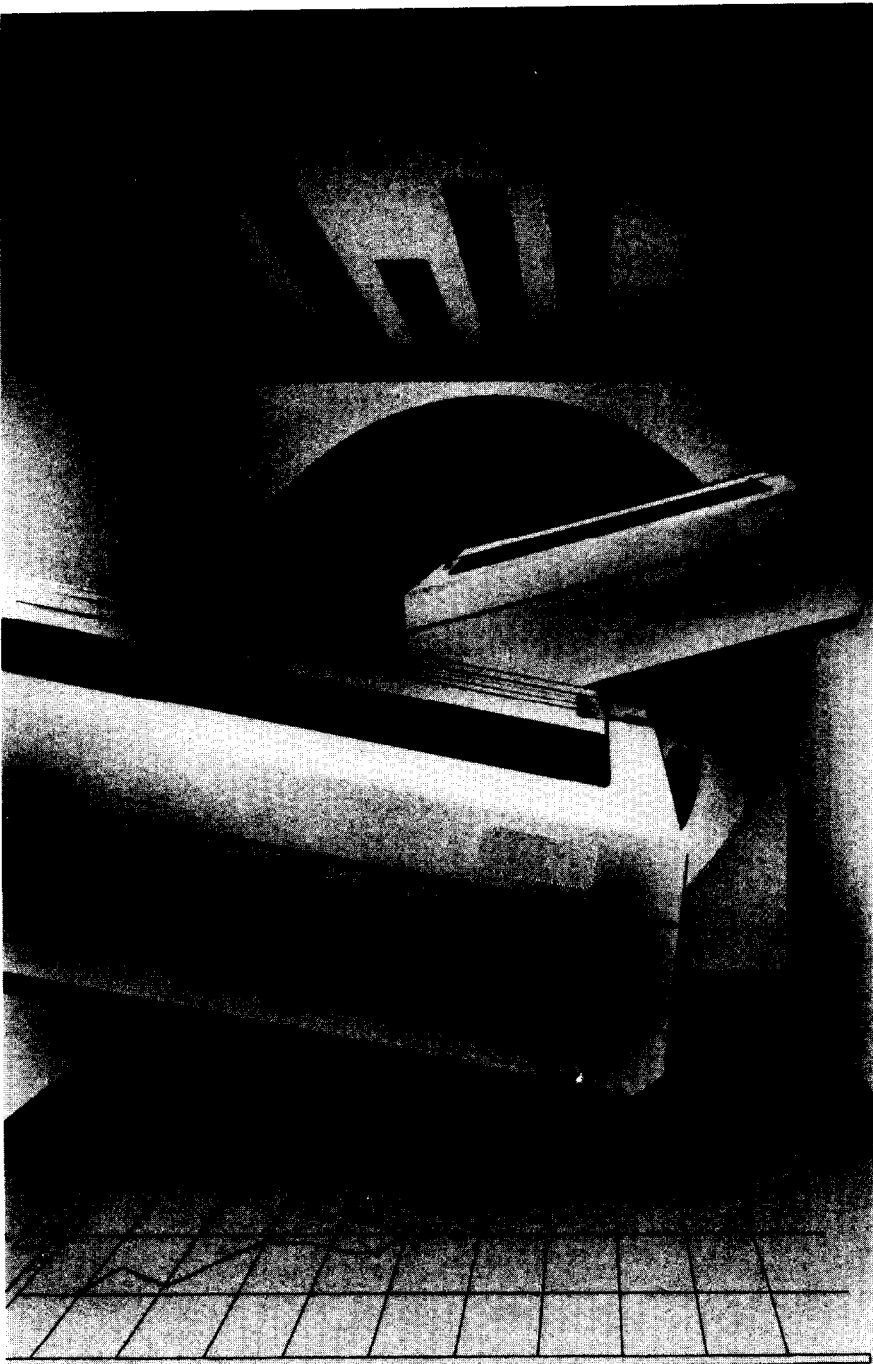
Please review the code sequences shown in Section 4 for these functions.

The above categories contain the basic information your word processing package needs to know about this printer. In addition, Appendix B contains a guide for a typical installation of WordStar, one of the most popular word processors on the market.

Remember, your software manual is the primary source of information for printing with your word processing package. But if you're ever in need, your dealer is there to lend a hand.



In the next section, we'll show you how to print several popular spreadsheet programs with your printer. Stay tuned!



GETTING THE MOST FROM YOUR SPREADSHEET PACKAGE

WHAT THIS SECTION SHOWS YOU:

- *How to Print Reports Using Three Popular Spreadsheet Programs*
-

Next to word processing, the spreadsheet has become the most widely accepted microcomputer application for use in both home and business. And it's an area where your printer really shines. Its ability to print in the condensed modes—as well as in pica and elite—gives you a new level of flexibility in electronic spreadsheets. As a result, you can print eye-catching reports in a greater variety of formats than ever before.

■ **PRINTING COMMANDS AND PARAMETERS FOR THREE POPULAR SPREADSHEETS**

There are, of course, many more spreadsheets on the market than can be adequately described in the pages of this manual. But we have gathered the necessary information to help you achieve optimum results for three of the most popular packages: VisiCalc, SuperCalc, and Lotus 1-2-3. Now, whether you use these particular programs or similar versions of them, you'll find that this information—along with your software manual—will help give your spreadsheet printouts a truly professional appearance.

■ **VISICALC**

Although this early entry into the electronic spreadsheet market now has a number of sophisticated competitors, VisiCalc remains a perennial favorite among personal computer users. First, let's

review the command structure necessary to print VisiCalc reports with your printer.

VisiCalc setup codes

VisiCalc's setup option allows you to use the advanced features of your printer by first sending the proper codes to it. (In the following examples, the control character is entered by typing the “^”, or caret.) To get to the setup mode, type “/P”. Here are the codes you'll need to know for the setup options available to you:

- ^C - This code signals you to send the character immediately following as a printer code. For example, to print in the condensed mode (using the code ^O), you'll first enter ^C, then ^O.
- ^E - Used to send escape codes to the printer. Whenever you want to use an escape code, type ^E instead of hitting the escape key—then enter the remaining characters in the code.
- ^R - This code sends a carriage return/line feed to the printer. Use the ^R whenever you need to skip a line on your spreadsheet.
- ^L - This code sends a form feed command to the printer. When you enter ^L, the printer advances to the beginning of the next page.
- ^H - Use the ^H whenever you need to send a code in its hexadecimal form. For example, to activate the condensed mode, type ^H0F.

As you plan the design of your VisiCalc report, we encourage you to experiment with the many options offered by your printer. To use the different pitch sizes—pica, elite and condensed—as well as their expanded versions, you'll first switch to the draft-quality mode with the code ^E5. Table 3-1 illustrates the number of available columns per page for each pitch size, along with the corresponding setup codes.

Table 3-1. The various draft-quality pitch sizes and their VisiCalc setup codes.

Pitch Size	Columns Per Line	Setup Code
Pica	80	^EP
Elite	96	^EM
Condensed	132	^C^O
Pica Expanded	40	^EP^EW^H01
Elite Expanded	48	^EM^EW^H01
Condensed Expanded	66	^C^O^EW^H01

Remember, in the expanded mode, your printer prints characters at twice their normal width.

The VisiCalc print command

After you've designed your spreadsheet and entered all the necessary information, you print with the VisiCalc /P command. As described in the software manual, this command is used to delineate the size of the spreadsheet (or section of the whole), from the active cell in the upper left-hand corner to the boundary you will choose in the lower right-hand corner.

Normally, when you plan a very large printout—one that wouldn't fit on a single page—other printers would require you to divide the spreadsheet into separate segments, each with a separate printing operation. But with condensed print mode, you'll be able to fit an entire 132-column report on a single 8 inch-wide sheet of paper!

■ **SUPERCALC**

Another popular spreadsheet, SuperCalc allows you to easily use all of your printer's advanced features. When you have completed the design of your SuperCalc spreadsheet, you can get to the SuperCalc setup mode by typing /O (for "output"). Next you'll type D followed by the word ALL; this tells SuperCalc to print the report exactly as it appears on the screen.

The SuperCalc setup codes

To get to the setup menu, press the return key and type S; when the setup menu appears, again press S (for "manual setup codes"). You can now send escape codes and control codes to the printer exactly as they appear in Appendix A. Table 3-2 illustrates your options in the draft-quality mode (for more on SuperCalc setup codes, please see the software manual).

Table 3-2. SuperCalc setup codes for the draft-quality pitch sizes.

Pitch Size	Columns Per Line	Setup Code
Pica	80	<ESC> P
Elite	96	<ESC> M
Condensed	132	^O

Remember, in the expanded mode, this printer prints characters at twice their normal width.

SuperCalc automatically prints as much of your spreadsheet as will fit on a page; any material in excess of the page limit will be printed on additional pages.

■ **LOTUS 1-2-3**

One of the most popular "integrated" software products, Lotus 1-2-3 combines spreadsheet, word processing and database applications in a single package. However, the process of printing a spreadsheet is very similar to that used in VisiCalc and SuperCalc.

The Lotus print commands

As described in the Lotus manual, the printing procedure is begun with the command /PP. After you enter this code, a menu of other printing choices appears on your screen, including:

- Range - Defines the section of the worksheet you want to print.
- Line - Allows the insertion of a blank line in your report by sending a carriage return/line feed instruction to the printer.
- Page - Advances printing to the beginning of a new page.
- Options - Displays a menu of various format options.
- Clear - Erases all previously chosen print options for this particular report.
- Align - Communicates to Lotus 1-2-3 that the paper in the printer is at the top of the page. This code is used after inserting a new sheet or advancing the paper with a form feed command.
- Go - Prints the worksheet as defined by Range.
- Quit - Ends the print mode and returns Lotus to the "Ready" mode (see your manual for details).

The Lotus Options menu

In addition to the print commands, Lotus 1-2-3 provides an Options menu to give you a number of formatting selections. Included in this menu are selections for headers and footers (lines printed at the top and bottom of the page, respectively). With each of these options, you may also choose to insert the page number and/or date, and even divide the header or footer into three separate sections.

Also included in the Options menu is the setup option, which allows you to enter codes to specify the pitch size for the report. When you choose this option, the words "enter character string" next appear on the screen. You can now enter the code you want, as illustrated in Table 3-3.

Lotus is different from other spreadsheets in that it uses decimal codes. In the following examples, the "\", or backslash, precedes the control code (instead of the control key). When entering an escape code, you first enter \027, the decimal equivalent of the escape

key. (If you are in the LQ mode, you can switch to draft mode with the code \027 \053.)

Table 3-3. Lotus 1-2-3 setup codes for draft mode pitch sizes.

Pitch Size	Columns Per Line	Setup Codes
Pica	80	\027 \080
Elite	96	\027 \077
Condensed	132	\015
Pica Expanded	40	\027 \080 \027 \087 \001
Elite Expanded	48	\027 \077 \027 \087 \001
Condensed Expanded	66	\015 \027 \087 \001

★ ★ ★ ★ ★ ★ ★ ★ ★ ★ ★

In the following sections, we'll show you more of the features you'll use to create professional-quality documents with your printer.



EXPLORING PRINT FEATURES

WHAT THIS SECTION SHOWS YOU:

- *How to Put Emphasis into Your Letter-Quality Text*
 - *Using the Draft-Quality Mode for Speed and Versatility*
 - *Combining Features With the Macro Instruction*
 - *How to Use the International Character Sets*
-

As you know, your printer will print letter-quality type at 60 characters per second and draft-quality type as fast as 144 characters per second. With this powerful machine, you can produce smart-looking drafts at high speed, and exceptionally fine copies of your work at speeds still faster than most daisywheel printers.

But you won't really appreciate how advanced your printer is until you see the many other ways it can print. For a sample of this versatility, please see Figure 4-1 below.

**LETTER QUALITY WITH PICA PITCH
AND PROPORTIONAL SPACING.**
DOUBLE-STRIKE PRINTING
EMPHASIZED PRINTING
UNDERLINING TEXT
PICA ELITE AND CONDENSED.

Figure 4-1. The printer's range of print features.

In this section, you'll learn how to use the variety of print features available to you, and how to combine them to create your own style. And you'll find out why this is the only printer your computer will ever need!

■ THE LETTER-QUALITY (LQ) MODE

Although DQ is the original factory default setting, you can change the default to the Letter-Quality (LQ) mode either by turning OFF DIP switch 1-5 (turn this back ON to reactivate DQ) or by entering the codes through your word processing program (see the "Draft-Quality Mode" later in this section). But before you begin experimenting in DQ, let's take a look at the options you have in the letter-quality mode.

Double-Strike printing

Whenever you want to make a word or phrase stand out in text, a good way do it is with the double-strike feature. When you activate double-strike printing, your printer does exactly that: it prints each character twice. The example below shows how double-striking can set off your text from normal LQ printing.

**THIS LINE IS LETTER QUALITY,
AND DOUBLE-STRIKE PRINTING.
NOW, TURN TO NORMAL PRINTING.**

Figure 4-2. An example of double-strike printing.

Of course, when you begin double-strike printing, everything you print will be double-struck until you turn this feature off—so you'll need the codes for how to activate double-striking as well as how to cancel it. Here they are:

Table 4-1. The codes for double-strike printing.

FUNCTION	ESCAPE CODE	DECIMAL CODE	HEXADECIMAL CODE
Activate Double-Strike	<ESC> G	27 71	1B 47
Cancel Double-Strike	<ESC> H	27 72	1B 48

Emphasized printing

Another effective method to make a portion of text stand out against the rest is with the "Emphasized" print feature. To get emphasized print, your printer prints a line once, shifts the carriage about 1/120th of an inch, and prints the line again. Because emphasized print has a "double image", it really calls attention to itself.

**THIS LINE IS LETTER QUALITY,
AND EMPHASIZED PRINTING.
NOW, TURN TO NORMAL PRINTING.**

Figure 4-3. An example of emphasized print.

Like most of the print features, the emphasized mode will—once activated—remain on until you turn it off. Here are the codes:

Table 4-2. The codes for emphasized printing.

FUNCTION	ESCAPE CODE	DECIMAL CODE	HEXADECIMAL CODE
Activate Emphasized Print	<ESC> E	27 69	1B 45
Cancel Emphasized Print	<ESC> F	27 70	1B 46

Underlining text

The underlining feature offers you a third, more subtle way to accent your text:

THIS IS UNDERLINED LQ PRINTING.

Figure 4-4. An example of underlined text.

Here are the commands you'll need to start and stop the underlining feature:

Table 4-3. The codes for underlining text.

FUNCTION	ESCAPE CODE	DECIMAL CODE	HEXADECIMAL CODE
Activate Underlining	<ESC> - 1	27 45 1	1B 2D 01
Cancel Underlining	<ESC> - 0	27 45 0	1B 2D 00

Proportional printing

When the printer is in the LQ mode, it is able to print text with proportional spacing (yielding approximately 80 characters per inch). This means that each character gets precisely the amount of space it needs. For example, the letter "m" is given twice the amount of space used for the "i", since it's twice as wide.

Proportional spacing is used in newspapers, magazines and many books because it gives a polished appearance to the finished page.

**LETTER QUALITY CHARACTERS CAN PRINT
WITH PROPORTIONAL SPACING OR NORMAL PICA PITCH.**

Figure 4-5. An example of proportional printing.

Table 4-4. The codes for proportional printing

FUNCTION	ESCAPE CODE	DECIMAL CODE	HEXADECIMAL CODE
Activate Proportional	<ESC> p 1	27 112 1	1B 70 01
Cancel Proportional	<ESC> p 0	27 112 0	1B 70 00

■ **THE DRAFT-QUALITY MODE**

You'll probably want to use the draft-quality mode whenever you need to print a fast draft of your work, but when you see all the capabilities this mode offers, we think you'll use it even more often. To switch from LQ to DQ you have two choices:

- Turn on DIP switch 1-5, or
- Enter the proper code through your word processing program (shown in Table 4-5).

Table 4-5. Codes for the LQ and DQ modes.

FUNCTION	ESCAPE CODE	DECIMAL CODE	HEXADECIMAL CODE
Activate DQ	<ESC> 5	27 53	1B 35
Return to LQ	<ESC> 4	27 52	1B 34

If you plan to use both the LQ and DQ modes frequently, you will probably want to program the necessary codes right into your word processor's installation program.

In the draft mode, you can use the same features you learned earlier in this manual to accent your text: double-strike, emphasized, underlined and expanded print. You'll use the same codes to turn these features on and off. Now let's see some of the other things the draft mode can do for you.

■ **VARIETY OF PITCH SIZES**

If you have already read Section 3, you'll know how many variations in pitch size can help in designing a spreadsheet to your exact

specifications. You can also use pitch size to integrate different kinds of text into a printed page. The following are descriptions of the available draft-quality pitch sizes.

Pica pitch

As we have said, pica printing yields 10 characters per inch and 80 characters per line. Pica is commonly used in business letters, thesis papers, reports, —and in general, wherever it's important that your document be easy to read or scan.

The pica pitch is the default setting in the draft mode, but you can change the default to elite, either by turning off DIP switch 1-6 or by sending the correct codes to the printer. We'll show you how to do this in a moment, but first, take a look at what draft-quality pica printing looks like using all the "accent" features available with your printer:

```
SUBJECT: ORDERING STATIONERY SUPPLIES
I would like to place an order for stationery
supplies from your mail order catalog.
Enclosed is my order form and a check for $247.
Please process this order as soon as possible.
Thank you.
```

Figure 4-6. Pica printing in the draft mode.

If you use either the elite pitch or the condensed pitch and wish to return to pica, you can reactivate this setting in one of two ways:

- Turn on DIP switch 1-6 (if you had previously turned it off), or
- Enter the following codes through your word processor:

Table 4-6. The codes used to activate pica printing.

ESCAPE CODE	DECIMAL CODE	HEXADECIMAL CODE
<ESC>P	27 80	1B 50

Elite pitch

As we mentioned earlier in the manual, the elite setting will print 12 characters per inch and 96 characters per line. Elite is often used for longer documents, but it's also found in formal and informal correspondence, and has many other uses as well. Though you may not notice much difference between the elite and pica pitches, elite allows you to fit more text on the page.

SUBJECT: ORDERING STATIONERY SUPPLIES
I would like to place an order for stationery supplies from your mail order catalog. Enclosed is my order form and a check for \$247. Please process this order as soon as possible. Thank you.

Figure 4-7. Elite printing in the draft mode.

To access the elite pitch:

- Turn off DIP switch 1-6 (if it had been turned on), or
- Enter one of the following codes through your software:

Table 4-7. The codes used to activate elite printing.

ESCAPE CODE	DECIMAL CODE	HEXADECIMAL CODE
<ESC> M	27 77	1B 4D

Condensed pitch

The printer's condensed pitch has a number of important uses: spreadsheets, tables, charts— and wherever you need to fit a lot of information into a small space. The condensed pitch gives you 16.7 characters per inch, and 132 characters per line. To activate the condensed pitch, please use the codes given in Table 4-8.

SUBJECT: ORDERING STATIONERY SUPPLIES
I would like to place an order for stationery supplies from your mail order catalog. Enclosed is my order form and a check for \$247. Please process this order as soon as possible. Thank you.

Figure 4-8. Condensed printing in the draft mode.

Table 4-8. The codes to activate condensed printing.

ESCAPE CODE	DECIMAL CODE	HEXADECIMAL CODE
<SI>	15	0F
<ESC> <SI>	27 15	1B 0F

■ COMBINING FEATURES WITH THE MACRO COMMAND

As you gain in experience with your printer, you will undoubtedly develop a flair for combining its many print styles. For example, you might want to combine expanded, pica, and letter-quality, or try condensed and expanded print with underlining. Whatever your preference for combined styles, this printer makes them easy to use with the macro instruction command.

The macro instruction is named for its ability to compress a number of separate commands into one single instruction. Here's how it works: first, you define the "macro" by entering the code <ESC> +, followed by all the control codes you wish to combine; you can use a maximum of 16 possible control codes. Then, terminate the macro instruction by entering the code <RS>. The macro instruction you just programmed in will be there for your use until you turn the printer off or enter a new macro.

Whenever you want to use the macro, you can enter the code <ESC>? to call it up.

Table 4-9. The codes for the macro instruction.

FUNCTION	ESCAPE CODE
Define Macro Instruction	<ESC> + n1 n2...<RS>
Use Macro Instruction	<ESC> ?

■ INTERNATIONAL CHARACTER SETS

You might find that you're perfectly content with the 96 standard American characters provided in the default character set. But you'll be interested to know that your printer can also print the special characters commonly used in England, Germany, France, Italy, Sweden, Denmark and Spain!

If you do plan to use these characters regularly, you will want to reset your DIP switches as shown in Table 4-10 below.

If you plan to use international character sets only on occasion, however, you will probably want to access them by sending a code through your word processor (illustrated in Table 4-11). Please refer to Appendix E for a complete listing of the codes for each international character.

Table 4-10. DIP switch settings for the International Character Sets.

COUNTRY	SWITCH 2-1	SWITCH 2-2	SWITCH 2-3
USA	ON	ON	ON
France	OFF	ON	ON
Germany	ON	OFF	ON
England	OFF	OFF	ON
Denmark	ON	ON	OFF
Sweden	OFF	ON	OFF
Italy	ON	OFF	OFF
Spain	OFF	OFF	OFF

Table 4-11. Codes used to activate the International Character Sets.

ESCAPE CODE	DECIMAL CODE	HEXADECIMAL CODE
<ESC> R <i>n</i>	27 82 <i>n</i>	1B 52 <i>n</i>

COUNTRY

USA = 0 France = 1 Germany = 2 England = 3

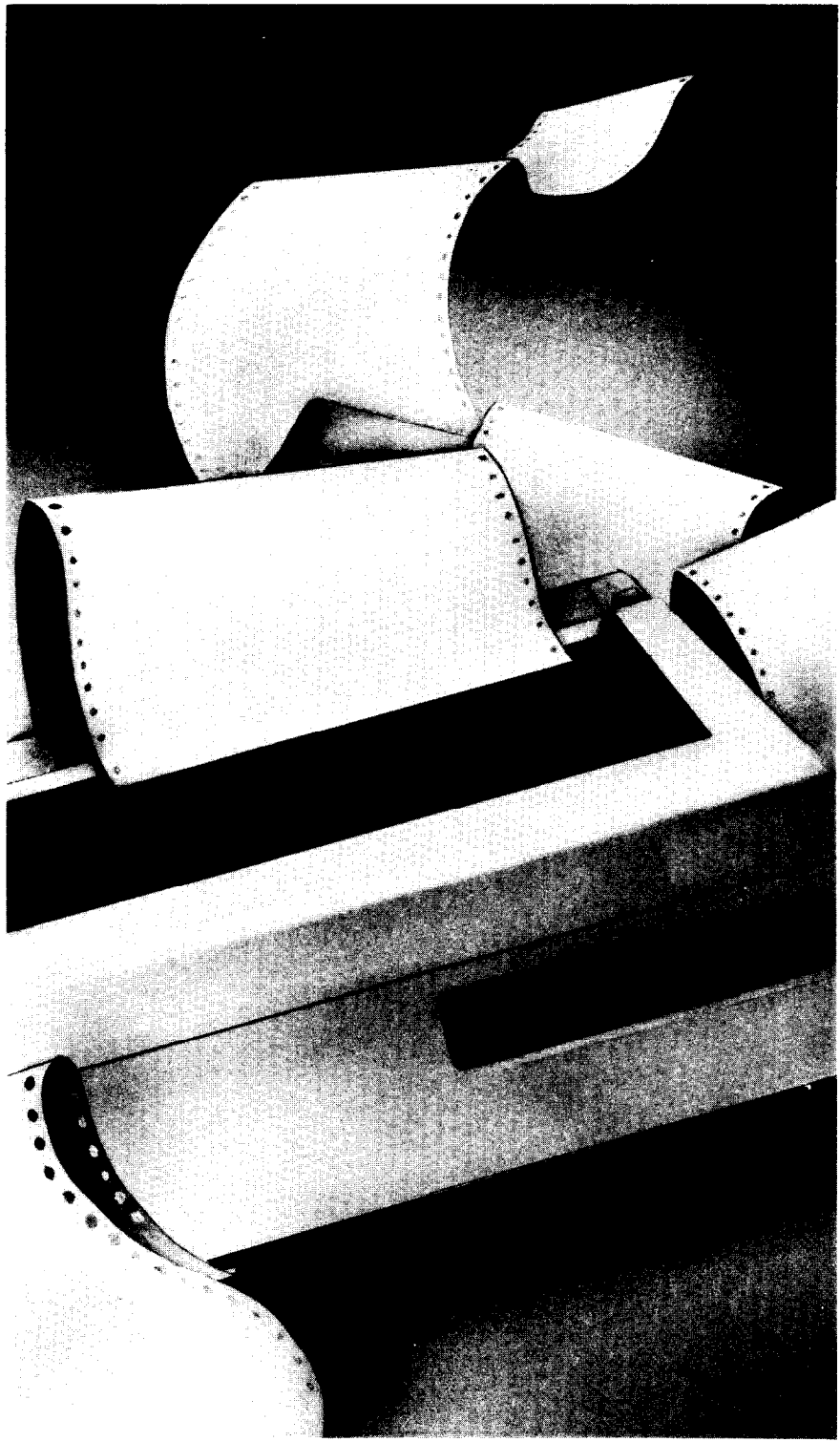
Denmark = 4 Sweden = 5 Italy = 6 Spain = 7

Whenever you're finished using an international character set, you can return to the one you normally use by again entering the proper code and country number.

★ ★ ★ ★ ★ ★ ★ ★ ★ ★

We know there's enough material in this section to keep you busy for quite a while. But you won't want to miss Section 5, where we'll show you how to design a document format to your own specifications.

MEMO



SECTION

5

CREATING PAGE FORMATS

WHAT THIS SECTION SHOWS YOU:

- *How to Set the Left and Right Margins*
 - *How to Determine the Page Length, and the Number of Lines Per Page, and the Top and Bottom Margins*
 - *How to Control Line Spacing*
 - *Superscripts and Subscripts*
 - *Setting and Using Vertical and Horizontal Tabs*
-

In Section 4, we showed you the wide range of printing capabilities offered by your printer. Now let's take a look at how you can fit these elements into a good-looking format that's right for you. Actually, your word processing program will probably perform most of the functions you'll read about in this section. But if you ever need to set any of these parameters, the necessary instructions are given in the following pages. By the way, you will also be able to use the macro instruction (described in Section 4) for the formatting commands set out in this section.

■ SETTING THE LEFT AND RIGHT MARGINS

As you learned in Section 1, you can control the left margin of your document by moving either the cut sheet guide or the adjustable tractor feed guides. The power-on default setting for the left margin is always at the same far left position, so you know where printing will begin if you use either of these methods. Your word processor will automatically set the right margin for you.

However, you can—if you wish—set the left and right margins to your own specifications by sending the proper codes (Table 5-1). These instructions will remain in effect until you either turn off the printer or send new codes to cancel them. In the codes illustrated

in table 5-1, you will need to enter a specific value for “*n*” to signify the positions of the left and right margins. In each case, you may substitute any number between 1 and 132—just make sure that the left margin has a smaller value than the right margin. After you have set the margins, the printer will automatically perform the carriage return and line feed.

Table 5-1. Setting the left and right margins.

FUNCTION	ESCAPE CODE	DECIMAL CODE	HEXADECIMAL CODE
Set Left Margin	<ESC>I <i>n</i>	27 108 <i>n</i>	1B 6C <i>n</i>
Set Right Margin	<ESC>Q <i>n</i>	27 81 <i>n</i>	1B 51 <i>n</i>

■ **CHOOSING THE PAGE LENGTH AND NUMBER OF LINES PER PAGE**

Your printer is preset to print 66 lines per page on an 11-inch form, but you can reconfigure these settings either through DIP switch 1-2 (“on” for 11-inch forms, “off” for 12-inch forms), or by entering the proper codes illustrated in Table 5-2.

When you send the code to control the page length in inches, you can substitute for “*n*” any number between 1 and 32. All subsequent pages will be printed in the same page format until you turn off the printer or send a code to cancel this setting.

You can also set the page length by programming in the number of lines per page. Using the codes given in Table 5-2, you may instruct the printer to print any number of lines per page from 1 to 127.

■ **SETTING THE TOP AND BOTTOM MARGINS**

The top margin determines where the printer begins printing on a page, and the bottom margin tells it where to stop printing and proceed to the next page. As you learned in Section 1, when you align paper with the cutting edge on the front cover, printing will begin about 2 inches down the page. The bottom margin will be determined by your settings for both page length and number of lines per page.

If you wish, you can also program your top and bottom margins just as you did with the left and right margins, by sending the proper codes. Your printer will continue to observe your newly defined top and bottom margins until you turn the printer off or send new codes to cancel them.

When you set the top margin, you can substitute for “*n*” any value between 1 and 16 (the power-on default value is 1). When you enter the code for the bottom margin, you may enter any value between

1 and 127 — just be sure that this number is greater than the value you chose for the top margin.

Table 5-2. Setting the page length, number of lines per page, and the top and bottom margins.

FUNCTION	ESCAPE CODE	DECIMAL CODE	HEXADECIMAL CODE
Page Length in inches ($n = 1$ to 32)	<ESC> C 0 n	27 67 0 n	1B 43 00 n
Number of Lines Per Page ($n = 1$ to 127)	<ESC> C n	27 67 n	1B 43 n
Top Margin ($n = 1$ to 16)	<ESC> r n	27 114 n	1B 72 n
Bottom Margin ($n = 1$ to 127)	<ESC> N n	27 78 n	1B 4E n
Cancel Top and Bottom Margins	<ESC> O	27 79	1B 4F

■ ADJUSTING LINE SPACING

Just as your word processor will set the margins, it will also set the line spacing (or distance between lines of print) without requiring a special command. When you turn on the printer, it will automatically print with a line spacing of 1/6th inch, which is the American standard. This means that you will get six lines to an inch, and 66 lines on an 11-inch page.

If you wish to change the line spacing, you can do it either through DIP switch 1-3, or by sending a code. First let's see how the line spacing changes when you turn off DIP switch 1-3.

WHEN YOU PRINT WITH DIP SWITCH 1-3 IN THE OFF POSITION, YOUR LINE SPACING WILL BE 1/8TH INCH.

WHEN YOU PRINT WITH DIP SWITCH 1-3 IN THE ON POSITION, YOUR LINE SPACING WILL BE 1/6TH INCH.

Figure 5-1. Controlling line spacing with DIP switch 1-3.

As Figure 5-1 shows, when you print with DIP switch 1-3 in the off position, your line spacing will be 1/8th inch, the European standard. This setting will yield 8 lines per inch, or 88 lines on an 11-inch form. Of course, you are by no means limited to these two settings—by entering codes you can have complete control of the line spacing function. In fact, you can adjust line spacing to 1/60th or 1/120th of an inch by sending the proper codes included in Table 5-3. (For “*n*”, just select any value between 0 and 255.) Also shown are the codes for 1/6th-inch, 1/8th-inch, and 1/10th-inch (no space between lines) line spacing.

Table 5-3. Adjusting line spacing.

SPACING	ESCAPE CODE	DECIMAL CODE	HEXADECIMAL CODE
1/6th inch	<ESC> 2	27 50	1B 32
1/8th inch	<ESC> 0	27 48	1B 30
1/10th inch	<ESC> 1	27 49	1B 31
<i>n</i> /60th inch	<ESC> A <i>n</i>	27 65 <i>n</i>	1B 41 <i>n</i>
<i>n</i> /120th inch	<ESC> 3 <i>n</i>	27 51 <i>n</i>	1B 33 <i>n</i>

■ SUPERSCRIPTS AND SUBSCRIPTS

The installation program of your word processing package will ask you to enter the value you wish (in increments of 1/120th of an inch) for printing superscripts and subscripts within text. You may also send codes to the printer to perform the same function (Table 5-4). When you choose the code to “select superscript” or “select subscript,” the printer will print all subsequent characters at the super- and subscript level until you send the proper code to cancel this feature.

Table 5-4. Printing superscripts and subscripts.

FUNCTION	ESCAPE CODE	DECIMAL CODE	HEXADECIMAL CODE
Select Superscript	<ESC> S 0	27 83 0	1B 53 00
Select Subscript	<ESC> S 1	27 83 1	1B 53 01
Cancel Superscript or Subscript	<ESC> T	27 84	1B 54

■ VERTICAL TABS

When you are tabulating reports or printing certain kinds of text, you may find it useful to leave a number of lines blank between sections of print. This printer's vertical tab feature allows you to do this with the codes shown in Table 5-5.

Table 5-5. Setting and using vertical tabs.

FUNCTION	ESCAPE CODE	DECIMAL CODE	HEXADECIMAL CODE
Set Vertical Tabs	<ESC> B <i>n1 n2...0</i>	27 66 <i>n1 n2...0</i>	1B 42 <i>n1 n2...00</i>
Advance to Next Tab	<VT>	11	0B

When you turn on the printer, your vertical tabs are automatically set at one inch apart (lines 6, 12, 18, etc.) to the bottom of your page. To advance the page to the next vertical tab position, just enter decimal code 11 or hexadecimal code 0B.

You can also set your own vertical tabs by first entering the escape, decimal or hexadecimal codes shown in Table 5-5. Then, enter the line number for each vertical tab you want to set, represented in the table by *n1*, *n2*, etc. (Your printer allows you a maximum of 12 vertical tab positions per page.) The number of each tab setting must be greater than the previous one (for example, typical tab settings might be on lines 10, 15, 19, etc.).

After you have set the last tab, be sure to terminate the vertical tab command, by entering 0 (00 for hexadecimal).

You can now move to each of your specified vertical tab positions using the "Advance to Next Tab Position" code shown in the table.

■ HORIZONTAL TABS

Horizontal tabs function similarly to those of a typewriter: they help you print charts and tables, and create columns of information across the page.

When you first turn the printer on, it will automatically set horizontal tab positions every 8 spaces (spaces 9, 17, 25, etc.) to the right edge of the page. You can advance to the next horizontal tab position with decimal code 9 or hexadecimal code 09, as shown in Table 5-6.

You can also set new horizontal tabs to your own specified positions, using the same procedures you learned for setting vertical tabs. Remember, when you set your own tabs, you cancel all previously set tab stops.

Table 5-6. Setting and using horizontal tabs.

FUNCTION	ESCAPE CODE	DECIMAL CODE	HEXADECIMAL CODE
Set Horizon- tal Tabs	<ESC> D n1 n2...0	27 68 n1 n2...0	1B 44 n1 n2...00
Advance to Next Horizon- tal Tab	<HT>	9	09

★ ★ ★ ★ ★ ★ ★ ★ ★ ★ ★

In this section, we've shown you some of the more common methods you will use to create a custom format. But there are many more, as a quick review of Appendix A will show. In the next section, we'll show you how to use some of these features when you program in BASIC.

MEMO

PROGRAMMING IN BASIC

WHAT THIS SECTION SHOWS YOU:

- *How to Use the Character String to Capture BASIC Commands*
 - *Some Examples of Short Programs Utilizing Features of the printer*
-

If you're like most personal computer owners, you'll probably use your printer primarily for printing your spreadsheet and word processing applications. But if you are interested in some of the more esoteric uses of your printer—such as high resolution graphics or printing while you're writing a software program—you may want to experiment by putting it through its paces with BASIC.

■ A WORD ABOUT MBASIC

The most common form of BASIC available today is Microsoft BASIC, or MBASIC. We've endeavored to provide you with a few programs that will run on most computers, and for this reason the programs listed here use the most elementary form of BASIC: MBASIC for 8-bit microcomputers. You will also be able to run these programs on 16-bit systems, such as the IBM PC and compatibles.

The character string (CHR\$): If you're familiar with BASIC, you'll know that the character string command, CHR\$, is used to "capture" escape and control codes such as those which control the printer. BASIC doesn't understand an escape code or control code all by itself; but you can enter escape or control codes within the character string format. To do this, enter the decimal form of the code between the parentheses in CHR\$(). Here are a few examples of the printer's features that can be programmed in BASIC:

Expanded type: The expanded type feature enlarges each of the pitch sizes to twice their normal widths. Try this program to see how it works:

NEW

```
10 LPRINT CHR$(27) CHR$(87) CHR$(1);
20 LPRINT "THIS LINE IS EXPANDED"
30 LPRINT CHR$(27) CHR$(87) CHR$(0);
40 LPRINT "BUT THIS LINE IS NOT."
```

THIS LINE IS EXPANDED
BUT THIS LINE IS NOT.

Figure 6-1. A sample of expanded type.

As you can see, the command represented by the first statement, CHR\$(27) CHR\$(87) CHR\$(1), turns on the expanded print function; the command represented by the third statement, CHR\$(27) CHR\$(87) CHR\$(0), turns it off. All of your printer's features can be activated and canceled using CHR\$ statements and the LPRINT command.

By combining the expanded print feature with each of the three pitches (pica, elite and condensed), you will be able to get three different versions of expanded print in the draft-quality mode.

Table 6-1. Expanded print conversion chart.

PITCH	NORMAL	EXPANDED
Pica	10 cpi	5 cpi
Elite	12 cpi	6 cpi
Condensed	16.7 cpi	8.3 cpi

Emphasized and double-strike printing

Whenever you want something to really stand out on the page, these are two good ways to do it. As we showed you earlier in the book, your printer prints both emphasized and double-strike words twice, but uses somewhat different methods for each. With emphasized print, the platen is moved just slightly for the second printing, giving the character a "shadow" appearance. Double-strike, you will remember, is done simply by printing the same character over itself. Try this program to demonstrate the two styles in BASIC:

NEW

```
10 LPRINT CHR$(27) CHR$(71);
' SELECT DOUBLE-STRIKE
20 LPRINT "THIS IS DOUBLE-STRIKE PRINTING"
30 LPRINT CHR$(27) CHR$(72);
' CANCEL DOUBLE-STRIKE
```



```

40 LPRINT CHR$(27) CHR$(69);
   'SELECT EMPHASIZED
50 LPRINT "THIS IS EMPHASIZED PRINTING"
60 LPRINT CHR$(27) CHR$(71);
   'SELECT DOUBLE-STRIKE
70 LPRINT "AND THIS IS BOTH AT ONCE"
80 LPRINT CHR$(27) CHR$(72) CHR$(27) CHR$(70);
   'CANCEL DOUBLE-STRIKE AND EMPHASIZED
90 LPRINT "NOW YOU'RE BACK TO NORMAL PRINTING"

```

```

THIS IS DOUBLE-STRIKE PRINTING
THIS IS EMPHASIZED PRINTING
AND THIS IS BOTH AT ONCE
NOW YOU'RE BACK TO NORMAL PRINTING

```

Figure 6-2. Double-strike and emphasized print in BASIC.

Underlined printing

Underlining is another good way to emphasize a point, or to highlight sections of text. Try this short program to give you an illustration of underline feature.

```

NEW
10 LPRINT CHR$(27) CHR$(45) CHR$(1);
   'SELECT UNDERLINE
20 LPRINT "LADIES AND GENTLEMEN,";
30 LPRINT CHR$(27) CHR$(45) CHR$(0);
   'CANCEL UNDERLINE
40 LPRINT " START YOUR ENGINES!"

```

Your results should look like this:

```

LADIES AND GENTLEMEN, START YOUR ENGINES!

```

Figure 6-3. A print sample of underlined text.

In this sample, the underline feature is turned on with the command CHR\$(27) CHR\$(45) CHR\$(1), and turned off with CHR\$(27) CHR\$(45) CHR\$(0). You'll notice that we did it all on one line. You can do this simply by adding—as we did—semicolons at the end of the appropriate lines. This tells BASIC to continue those lines without sending a carriage return/line feed at the end of each line.

We did this just to illustrate that most of the printer's codes can be used in the middle of a line.

Superscripts and subscripts

When you need to reference footnotes or write math formulas, your printer's superscripts and subscripts will come in handy. Here's a short program to illustrate how easy it is to use them:

```
NEW
10 LPRINT "LOOK! ";
20 LPRINT CHR$(27) CHR$(83) CHR$(0);
' SELECT SUPERSCRIPIT
30 LPRINT "SUPERSCRIPITS ";
40 LPRINT CHR$(27) CHR$(84);
' CANCEL SUPERSCRIPIT
50 LPRINT "AND ";
60 LPRINT CHR$(27) CHR$(83) CHR$(1);
' SELECT SUBSCRIPIT
70 LPRINT "SUBSCRIPITS ";
80 LPRINT CHR$(27) CHR$(84);
' CANCEL SUBSCRIPIT
90 LPRINT "ON ONE LINE."
```

LOOK! SUPERSCRIPITS AND SUBSCRIPITS ON ONE LINE.

Figure 6-4. Superscript and subscript printing.

Line spacing and reverse line feed

You learned about line spacing and how to use escape codes to adjust it in Section 5. It's just as easy, you'll find, to perform all of these functions when programming in BASIC.

In the following program, we show you how to use each of these features; in addition, we'll show you how to program your printer to do a reverse line feed—a useful feature if you ever create charts and tables. When you run this program, watch the platen as the last statement comes up, to verify reverse line feed:

```
NEW
10 LPRINT CHR$(27) CHR$(48);
20 LPRINT "THIS COMMAND SETS THE LINE SPACING"
30 LPRINT "TO 1/8TH INCH, THE EUROPEAN STANDAR
D."
40 LPRINT CHR$(27) CHR$(49)
50 LPRINT "NOW THE LINE WILL BE TOUCHING. THIS"
60 LPRINT "LINE SPACING IS SET TO 1/10TH INCH.
"
70 LPRINT CHR$(27) CHR$(50)
```

```

80 LPRINT "NOW YOU ARE PRINTING WITH 1/6TH INC
H"
90 LPRINT "LINE SPACING,WHITH IS THE AMERICAN
STANDARD."
100 LPRINT CHR$(10);
110 LPRINT CHR$(27) CHR$(10);
120 LPRINT "THIS COMMAND CAUSES THE PRINTER"
130 LPRINT "TO REVERSE THE PAPER ONE ENTIRE LI
NE."

```

Here is an example of the line space settings for the program:

```

THIS COMMAND SETS THE LINE SPACING
TO 1/8TH INCH,THE EUROPEAN STANDARD.
NOW THE LINE WILL BE TOUCHING.THIS
LINE SPACING IS SET TO 1/10TH INCH.
NOW YOU ARE PRINTING WITH 1/6TH INCH
LINE SPACING,WHITH IS THE AMERICAN STANDARD.
THIS COMMAND CAUSES THE PRINTER
TO REVERSE THE PAPER ONE ENTIRE LINE.

```

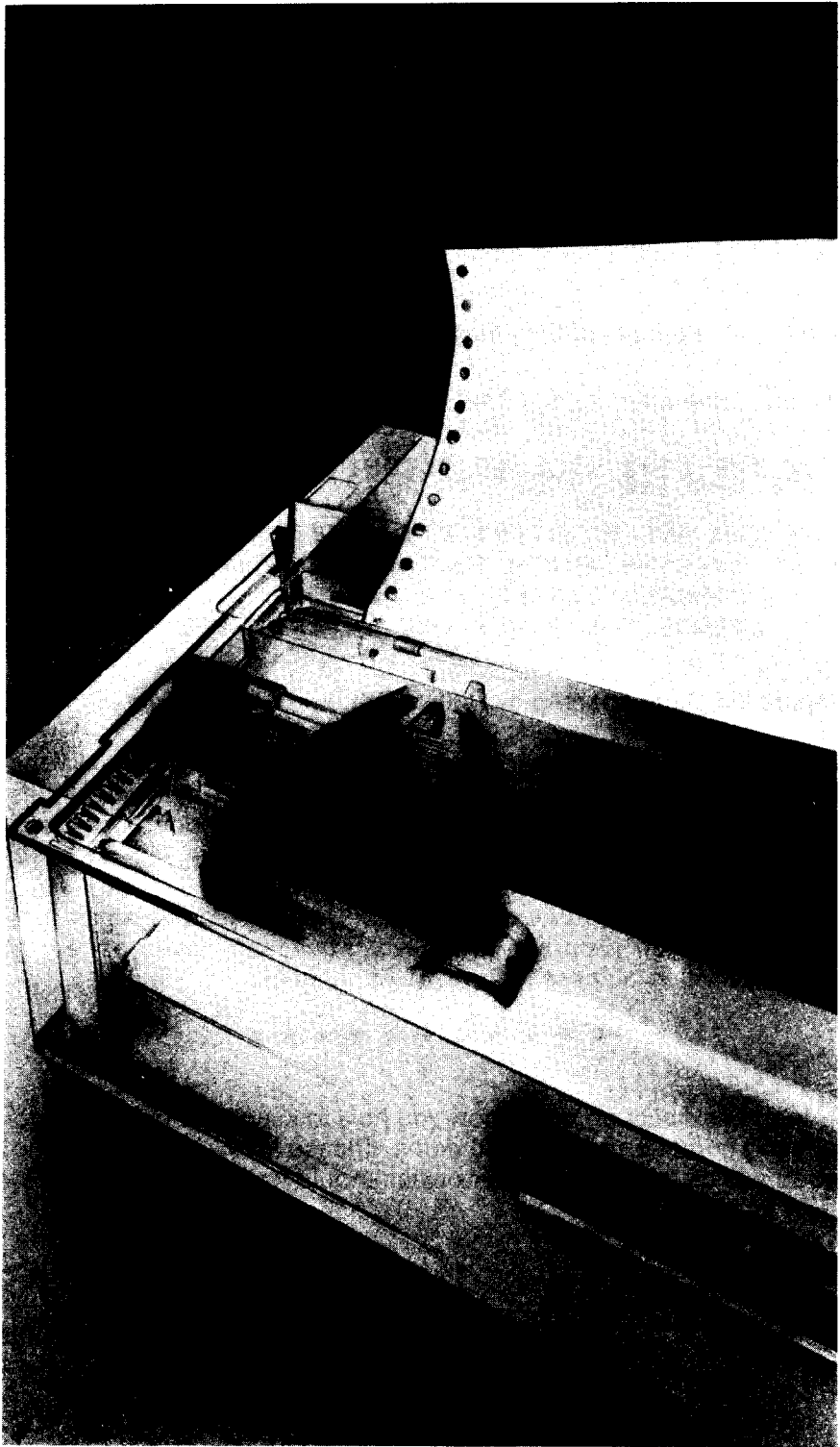
Figure 6-5. Line spacing at 1/6th, 1/8th, and 1/10th inch.

Just as you used an escape code in Section 5 to program your own user-specified line spacing (in increments of 1/60th or 1/120th inch), you can also do this in BASIC with the code: CHR\$(27) CHR\$(65) CHR\$(n) or CHR\$(27) CHR\$(51) CHR\$(n). For "n", you can enter any value between 0 and 255.

This section illustrates only a few of the many possibilities that await when you program in BASIC. Remember, you can get a complete listing of these features in Appendix A.

★ ★ ★ ★ ★ ★ ★ ★ ★ ★

In the next section, we'll show you how to keep your printer in top running condition for years to come. Please follow along for some good advice that every printer owner should know.



SECTION

7

BASIC MAINTENANCE PROCEDURES

WHAT THIS SECTION SHOWS YOU:

- *How to Clean the Printer*
 - *How to Replace the Fuse*
 - *How to Replace the Print Head*
 - *Checking the Printer for Correct Operation*
-

■ PREVENTIVE MAINTENANCE

Over the years you will come to appreciate your printer for its extremely accurate and reliable operation. It was designed to have a minimum of moving parts, and this will contribute to the printer's many years of trouble-free service.

Here are a few tips to keep your printer in top condition:

- Avoid touching the business end of the print head.
 - Keep hair, clothing and other foreign objects away from the moving parts of the printer.
 - Do not place foreign objects on any part of the printer. If an object accidentally falls into the printer during operation, always turn the power off before reaching into the printer.
 - Also turn off the printer before cleaning it. When cleaning the inside of the printer be very careful not to bend or otherwise change those tiny wires and attachments— or you will risk electrical shock.
-

■ HOW TO CLEAN THE PRINTER

In order to maintain optimum performance of your printer, you'll want to clean it inside and out on a periodic basis. First be sure to turn the power off and disconnect the printer from the power source.

Exterior

Use a soft cloth moistened in denatured alcohol to remove any dust and dirt from the case of the printer. However, be careful not to moisten either the printing mechanism or any electronic parts.

Interior

We recommend an interior cleaning of the printer after approximately six months of moderate use, to remove any paper dust or small-particle buildup.

You may wish to use a can of pressurized air to blow off loose particles and dust. Or, you may use either a soft (e.g., camel's hair) brush or cloth. Again, be careful to avoid exposed electronic parts and wiring.

■ REPLACING THE FUSE

A fuse has been incorporated into the circuitry of your printer as a safety device to protect it. This fuse may burn out as a result of fluctuations in AC line voltage (that is, the electricity from your power source).

Here are two easy ways to determine whether the fuse in your printer is burned out:

- The power lamp does not light when you turn the power switch on, or
- The printer has been in operation and the power lamp suddenly goes out.

The spare fuse provided with your printer is easy to replace. Here's how to do it:

- Turn the power off and unplug the printer.

BE CAREFUL: The electronic circuitry of your printer uses high-voltage power. Always disconnect the printer from the power source before inspecting the fuse.

- Using a screwdriver or coin, turn the fuse cover counterclockwise until it loosens. Gently pull it straight out toward you.
- Pull out the fuse and inspect it. You should see a thin metal strip inside the glass tube.

- If the metal strip is bent or broken, you'll want to replace it. (Be sure to get a 5MT 2-amp fuse, or its equivalent.)

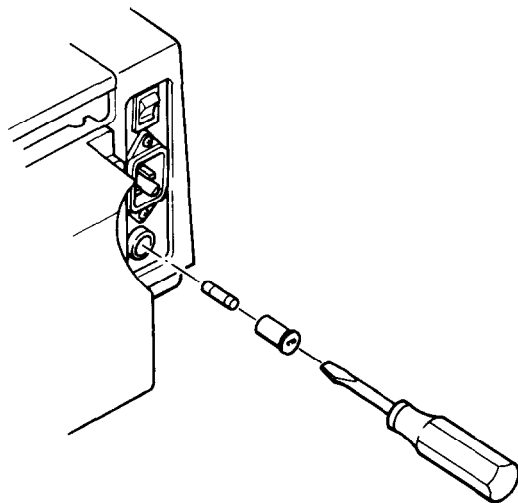


Figure 7-1. Replacing the fuse in the printer

■ **REPLACING THE PRINT HEAD**

The print head in your printer is very durable and has an extremely long design life. However, like most mechanical devices, it may eventually wear out. If you ever do need to change the print head, you'll find that it, too, is easy to replace. Here's how to do it:

- If the printer has been in operation, turn it off and allow about 10 minutes for the print head to cool.
- Lift the front cover and remove the ribbon cassette.
- Locate and remove the screws and washers that hold the print head in place. (You may want to keep them in a cup so that they don't become misplaced.)
- Remove the print head from the carriage.
- Hold the print head in one hand between the thumb and forefinger; with your free hand, gently disconnect the cable (attached to the head) from the socket on the printer's logic board (beneath the rubber cover).
- Connect the ribbon cable from the new print head to the socket on the logic board, and fasten the print head to the carriage with the screws and washers.

- To keep the screws from vibrating loose, apply "Screw Lock" adhesive (or a similar product), available at your dealer or a local hardware store.
- Check to see that the print head and its cable are secure before you resume printing.

■ **CHECKING THE PRINTER FOR CORRECT OPERATION**

On occasion, you may find that your printer isn't operating normally according to the parameters we've set out in this manual. If this should ever happen to you, please turn to the checklist given in the following pages—you'll probably find that it will take only moments to return the printer to correct working order.

We have found that the majority of printer problems are, in general, also the easiest to solve. Most can be corrected through a series of simple checks, and fall into three categories: electrical, mechanical, and those related to the DIP-switch configuration of the printer.

Electrical

The problems in this category are by far the most obvious, but you'd be surprised how often problems can be avoided by making these simple checks:

•**Is the power plug firmly seated in a working electrical outlet?**

You can verify the outlet is working properly by plugging in another appliance in the same outlet.

- Is the power cord firmly plugged into the back of the printer?**
- Is the printer cable securely fastened to the interface connectors on both the printer and computer?**

Be sure to use the proper clamps or screws to keep the connection tight.

- Is the power switch turned on?**
- Does the Power On lamp fail to light when you turn the printer on?**

Please check the fuse according to the instructions given earlier in this section.

- Did the Power On lamp go out during operation?**

Again, please check the fuse.

•Power lamp is on, but printer will not operate.

Make sure the printer is on-line and the front cover is closed. The front-cover-open detector keeps the printer in the "Pause" mode until you close the cover firmly.

Mechanical

This group of checks is related to the mechanical operation of the printer, especially the flow of paper and ribbon through the machine.

•Single sheets don't advance properly through the machine.

Please ensure that the paper release lever is in the "closed" position (toward you).

•Form feed paper jams or doesn't advance smoothly.

Check to see that the paper release lever is in the "open" position (away from you). Also make sure that the covers are closed on the tractor feed units.

•The ribbon does not advance properly.

Confirm that the ribbon cartridge is resting firmly on the carriage. Also check the ribbon tension: you can take out any slack by turning the spool counterclockwise. (See "Loading the Ribbon Cartridge" in Section 1).

•The characters printed on the paper are faint or lighter than normal.

Check the printhead-to-platen gap, making sure that the adjusting lever is properly set for the paper you are using. If the printing is still faint, replace the ribbon.

Configuration of DIP switches

The DIP switches of your printer have been preset at the factory, and unless you or your Star dealer have reconfigured them. For a complete chart of DIP switch settings, please check Appendix D. However, we've listed a few common problems that can be easily solved by the proper setting of a switch. (Remember, whenever you change a DIP switch setting, first turn the printer off; then turn it on again. The printer "reads" the DIP switch settings only when it is first turned on.)

•Print is double-spaced.

Your computer is sending its own automatic line feed with every carriage return (duplicating a similar instruction by the printer). Make sure DIP switch 1-8 is in the "on" position.

•**The printer prints over itself without advancing the paper.**

Check to see that DIP switch 1-8 is turned off. This ensures that an automatic line feed will be added to each carriage return—a command that your computer does not perform by itself.

•**The printer isn't printing normal letters, characters or symbols—only block graphic characters. (This may happen if your computer has a 7-bit interface.)**

Make sure that DIP switch 1-7 is turned off. (Your computer is designed to send normal text in "words" of 7 data bits each—if this switch is off, your printer is in its "block graphics" setting.)

•**The printer won't print block graphics—only letters, numbers and symbols.**

Be sure that DIP switch 1-7 is turned on. (Your computer is designed to send normal text in "words" of 8 bits each—if this switch is off, you won't be able to print in the block graphics mode.)



At Star Micronics, we are dedicated to bringing you the highest-quality, most durable printer money can buy. As a result, you'll find that this printer will provide many years of trouble-free use. But remember, if you have any questions or problems that aren't answered in this manual, your Star dealer is always there to help.

MEMO