

# Wireless

WIRELESS STEREO HEADPHONES

## INSTALLATION AND OPERATING INSTRUCTIONS



**JENSEN**

JW160

# JENSEN WIRELESS STEREO HEADPHONES INSTALLATION AND OPERATION MANUAL

Model JW160

## CONTENTS

Connect the Transmitter .....

Adjust the Transmitter .....

Power the Headphones .....

Tune the Headphones .....

More Helpful Information .....

Troubleshooting .....

Specifications & Features .....

## INTRODUCTION

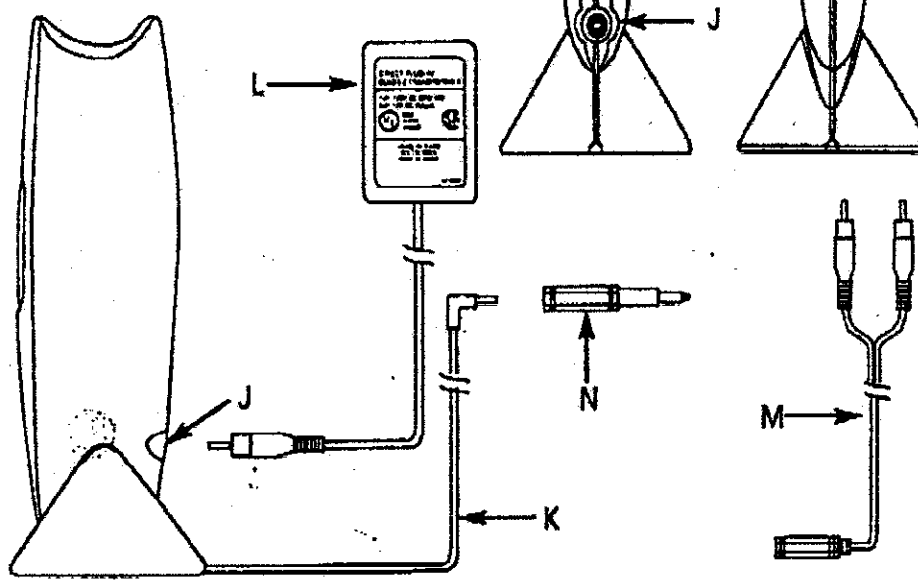
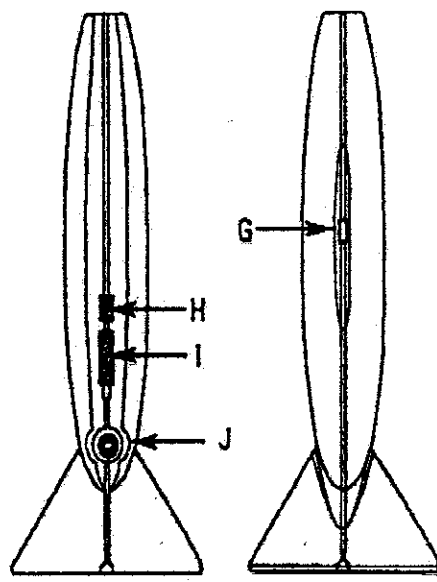
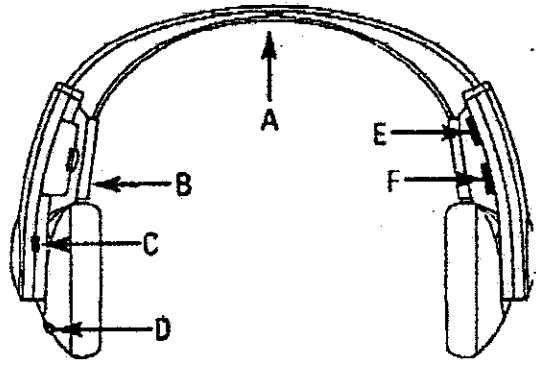


Jensen Wireless Headphones allow you to hear and enjoy music and television sound in ways you may never have considered before. The Jensen Wireless Headphone System's 900 MHz signals travel with ease through walls, floors, ceilings and other obstacles, delivering high-quality stereo sound virtually anywhere in and around the house.

The Jensen Wireless Headphone System is compatible with most audio sources, including TVs, VCRs, DVD players, stereo receivers/amps, personal stereos, boom boxes, DSS receivers, and individual stereo component pieces (CD players, cassette players, etc.). Because the headphones do not have line-of-sight restrictions imposed by infrared technology-based systems, you have the freedom to use the headphones while moving about freely within the transmitters sending range – up to 300 feet\* in all directions. The contents of this manual covers connection options and detailed operating procedures for making the Jensen Wireless Headphone System a valued part of your lifestyle. If, after having reviewed the instructions, you have any questions, please contact our Customer Service Department at 1-800-732-6866, 8:00 am - 8:00 pm ET Monday through Friday, and 9:00 am - 4:00 pm Saturday.

\*Range may vary depending on conditions and circumstances.

- A. Self-Adjusting Headband
- B. Battery Compartment Cover
- C. ON/OFF Switch
- D. Headphone Power Indicator
- E. Volume Control
- F. Tuning Control
- G. Transmitter Power Indicator
- H. Channel Select Switch
- I. Audio Level Control
- J. Power Input Jack
- K. Audio Cable
- L. AC Adapter
- M. "Y" Cable Adapter
- N. Headphone Adapter Plug

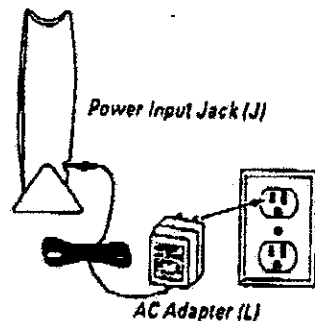


3

## CONNECT THE TRANSMITTER

### Step 1. Power the Transmitter

1. Insert power cord from AC adapter (L) into transmitter Power Input Jack (J).
2. Plug AC adapter into any standard wall outlet. The Transmitter Power Indicator (G) should light green, indicating the transmitter is "ON".

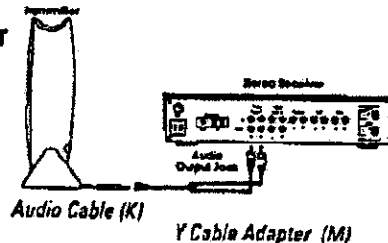


**Note:** There is no transmitter ON/OFF control. The transmitter is designed to be left plugged in and powered at all times. When the JW160 is not used for an extended time, you may wish to unplug the AC Adapter.

### Step 2. Connect to an Audio Source

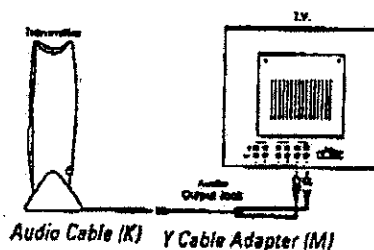
#### Option 1 – Connect to a Stereo Receiver/Amplifier

1. Connect Audio Cable (K) mini plug to "Y" Cable Adapter (M) mini jack.
2. Connect "Y" Cable Adapter dual RCA plugs to RCA-type audio outputs of stereo receiver/amp or other audio source.



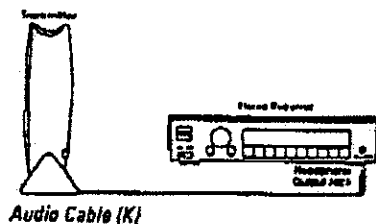
#### Option 2 – Connect to a Television

1. Connect Audio Cable (K) mini plug to "Y" Cable Adapter (M) mini jack.
2. Connect "Y" Cable Adapter dual RCA plugs to RCA-type audio outputs of TV.



#### Option 3 – Connect to a Headphone Jack

1. Plug Audio Cable (K) mini plug into headphone jack. As needed, use Headphone Adapter Plug (N) to convert (3.5mm) mini plug to full-size 1/4" headphone plug.



**WARNING: DO NOT** connect the RCA plugs of the "Y" Cable Adapter to speaker outputs on the audio source. If you connect to a speaker output, you will permanently damage the transmitter. It is designed to work with fixed/variable RCA-type and headphone outputs only.

**Note:** For more information on hooking up and using the transmitter with various outputs, please see "More Helpful Information" beginning on Page 7.

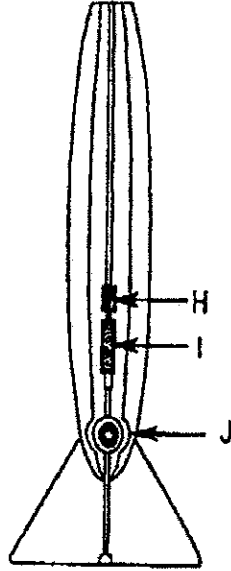
**ADJUST THE TRANSMITTER**

Adjust the transmitter as follows:

**STEP 1 TURN ON YOUR AUDIO SOURCE**  
(i.e. Stereo Receiver, TV, etc.) so you hear sound coming from the source.

**STEP 2 SET TRANSMITTER FREQUENCY & LEVEL**

1. Set Channel Select Switch (H) to position "A".
2. Move Audio Level Control (I) all the way "UP".

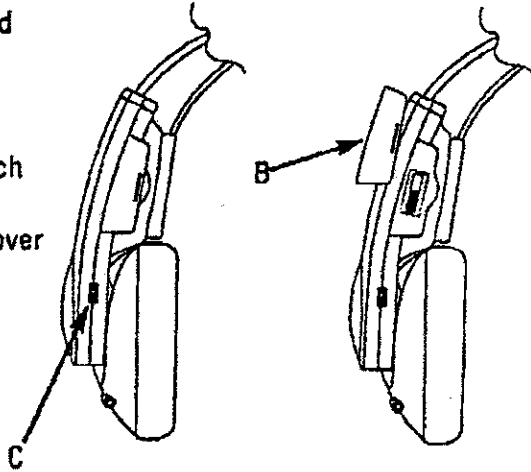


**POWER THE HEADPHONES**

The JW160 headphones are powered by 2 AAA alkaline batteries.

**INSERT THE BATTERIES**

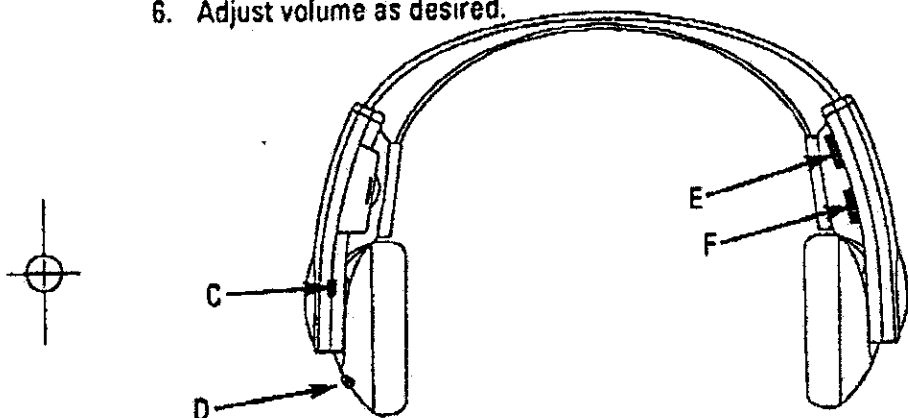
1. Set the headphone ON/OFF Switch (C) to the "OFF" (down) position.
2. Remove Battery Compartment Cover (B) and insert batteries following polarity (+ and -) as diagrammed of the battery compartment.



**TUNE THE HEADPHONES**

You should NOT be wearing the headphones yet.

1. Set the headphone ON/OFF Switch (C) to the "ON" (up) position. The Headphone Power Indicator (D) should light green, indicating the headset is "ON".
2. Adjust Volume Control (E) for about half volume.
3. Adjust Tuning Control (F) until you hear sound from the audio source coming from the earphones.
4. Be sure volume is not too high before putting headphones on; turn down if necessary.
5. Put headphones on and fine-tune for best possible sound.
6. Adjust volume as desired.

**More Fine-Tuning**

If, after fine-tuning, interference in the form of static and/or "drop-outs" can be heard, set the transmitter Channel Select Switch (H) to "B" and re-tune the headphones. If the sound is distorted, slowly adjust the transmitter Audio Level Control (I) "down" to compensate for a too-strong audio signal from the source. Continue working with transmitter Channel Select, headset Tuning, and transmitter Audio Level controls in various combinations until the best possible sound is achieved. If you are unable to achieve clear sound, please refer to "Troubleshooting".

**Soft Mute**

If the signal from the transmitter is too weak or absent altogether, the headphones will automatically mute after 1 second as a battery-saving measure.

## **MORE HELPFUL INFORMATION**

### **About Fixed-Level Outputs**

A *fixed-level*, or line-level audio output is considered ideal since it provides a steady audio signal unchanged by adjustments to the audio source (stereo, etc.) volume control.

- *Fixed-level* audio outputs from stereo receivers/amps will typically be designated Tape, Tape 1, and Tape 2 outputs, DAT (digital audio tape) outputs, VCR audio output connections, and auxiliary (AUX) audio outputs. Tape, Tape 1, Tape 2 and DAT outputs are usually marked 'TAPE OUTPUT,' 'TAPE OUT,' 'TAPE REC,' or 'TAPE RECORD.' Jacks designated for phono, CD, LD, DVD or tape playback (PB) are inputs and will not work for purposes of installing the transmitter.
- *Fixed-level* outputs from TV's are usually marked as 'Constant,' 'Fixed,' or 'Select.' If they are not marked as such, they are probably variable outputs (see "About Variable-Level Outputs," next section).
- Outputs from VCRs are almost always fixed.

### **About Variable-Level Outputs**

A variable-level output, such as a headphone jack or certain television RCA-type outputs, provides an audio signal to the transmitter that changes in relation to volume adjustments on the audio source. As the volume of the audio source goes up and down, so too does the strength of the audio signal sent to the transmitter. This can affect the quality of sound you hear at the headphones, and may require increasing the volume level of the audio source to achieve a strong enough audio signal for use with the JW160 system, or decreasing the audio source volume if sound from the headset is distorted by a too-strong signal. For more information on how to use the JW160 with variable outputs, see "Using the Headphones with a TV", next section.

## **USING THE HEADPHONES WITH A TV**

Wireless headphones are frequently used for private viewing or so one person with hearing difficulty can listen to TV at higher volume while others in the room listen at normal volume levels.

- Many TVs, regardless of age or price, have variable outputs. If you are unsure which – if any – of your outputs are fixed, refer to the TV instruction manual. Some TVs have outputs that can switch between variable and fixed. When given a choice, fixed is always recommended.

- To listen to TV independent of the TV volume, and your TV has variable outputs, it is recommended you connect the transmitter to the VCR. Doing so gives the JW160 access to a fixed-level output independent of the television volume, allowing others in the room to turn the TV volume up and down (even all the way down, if so desired) without interfering with sound from the headphones.

When connecting to a VCR, it must be on and active. In other words, turn the TV on to the channel you would normally use to watch a videotape (channel 3 or 4), turn the VCR on, then press the TV/VCR button on your VCR remote control to make the VCR the controlling piece of equipment. At this point, whatever channel is showing on the tuner for the VCR should be the channel playing on the TV. Change channels on the VCR. This configuration allows separate, independent volume control for the TV and the headphones.

- If you wish to use the headphones in such a way that you are the only person who can hear the audio from a TV (e.g. use them in bed while another person in the room is sleeping) that has variable outputs, and there is no VCR to connect to (as described above), use the following configuration: Connect to the variable audio outputs of the TV, then turn the TV's internal speakers OFF. Most – but not all – TVs have this capability, and is accomplished through the on-screen menu for the TV or by use of an external switch (see your TV owner's manual). Once the speakers are off, turn the TV volume between half and three-quarters of the way up, then operate the headphones as described in the instructions. To return the TV to normal use, adjust the volume back to a normal level and turn the speakers back on.

- If the TV or VCR (or other RCA-type audio source you are connecting to) is mono (a single jack audio output), you need to acquire a second RCA "Y" Cable. It differs from the "Y" Cable Adapter included in this kit – it will have a single male RCA plug and 2 female RCA jacks. Attach the dual RCA plugs from the "Y" Cable Adapter (M) to the 2 female RCA jacks of the second "Y" cable, then connect the single male RCA plug of the second "Y" cable to the single audio output of the TV or VCR.



## **TROUBLESHOOTING**

The following troubleshooting guide outlines possible problems and corrections associated with the installation and/or operation of a wireless system. If a problem persists, please call 1-800-732-6866 and a knowledgeable customer service representative will assist you.

### **Trouble Checks and Adjustments**

- No Sound**
- Check that the outlet the transmitter is plugged into is providing power.
  - Check that the AC Adapter is fully inserted into the wall outlet and the power cord from the AC Adapter is firmly connected to the Power Input Jack.
  - Check that the headphones are turned "ON".
  - Check that the batteries are firmly seated following polarity as shown in the battery compartment.
  - Check that the batteries in the headset are good.
  - Check that the audio source (stereo, TV, etc.) is turned on and providing sound as it normally would.
  - Check that the headphone volume is turned up.
  - If you are using a Tape 2 Monitor output from your receiver/amp as the audio output, check that you have pressed the TapeMonitor / Tape 2 button on the front of the receiver. This will turn on the Tape 2 outputs, which are otherwise inactive.
  - If you are using a variable output, leave the transmitter Audio Level Control all the way "up" and adjust the volume on the audio source up as necessary until sound is heard through the headset.
- No Sound/  
Distortion/  
Static/**
- If you are using a fixed audio output, slowly slide the transmitter Audio Level Control "down" until the sound clears  
or  
If you are using a variable output, leave the transmitter Audio Level Control all the way "up" and adjust the volume on the audio source up or down as necessary until the sound clears.
  - Change the position of the transmitter Channel Select Switch to change the operating frequency, then retune the headphone.



- Try changing the physical location of the transmitter. Locate it as high and free of obstruction as possible. Avoid placing directly on top of a TV (or other electronic device), if possible.
- Try moving the transmitter and headphones closer together. Sending the signal through certain materials, such as glass, tile, and metal, can decrease the effective transmitting distance of the system.

**Sound in One Earpiece Only**

- Check the batteries - they may be weakening..
- Check left/right balance control on the audio source.
- Try fine-tuning the headset on both transmitter channel settings - A and B.

**SPECIFICATIONS & FEATURES**

**Transmitter**

Omnidirectional

Effective Transmitting Range: up to 300 feet\*

Adjustable Audio Level control

Switchable Frequency Adjustment between 913 (Tx position "A") and 914 MHz (Tx position "B")

Line Audio Input w/3.5mm Stereo Mini Plug plus 1/4" and Composite "Y" Cable Adapters

UL-Listed AC Adapter ~ 6V, 200mA

**Headphones**

Power ON/OFF switch (left headphone)

Volume Control (right headphone)

Frequency Fine-Tuning (right headphone)

Frequency Response: 30 Hz - 18 kHz

Speaker Element: 40mm Mylar cone

Magnet Type: Ferrite

Signal-To-Noise Ratio: >62 dB

Channel Separation: >30 dB

Maximum Distortion: <0.6%

\* Maximum range; the results achieved may vary depending on circumstances and conditions.

Changes or modifications not expressly approved by the party responsible for compliance could void the users authority to operate the equipment.



## WARRANTY

### *ONE YEAR LIMITED WARRANTY*

Recoton Corporation (the Company) warrants to the original retail purchaser of this product that should the product or any part thereof be proven defective in material or workmanship within One Year from the date of original purchase, such defects will be replaced without charge for parts or labor. This warranty does not apply to any incidental or consequential damages.

To obtain replacement within the terms of this warranty, the product should be delivered, transportation prepaid, to the Dealer where purchased or to the Company, along with proof of date of purchase. Call 1-800-RECOTON to obtain information regarding the procedure for proper return of your product, if your Dealer does not honor the warranty. This warranty is valid in the USA and Canada only.

THIS WARRANTY DOES NOT APPLY TO ANY PRODUCT OR PART THEREOF WHICH HAS BEEN DAMAGED THROUGH ALTERATION, MISHANDLING, MISUSE, NEGLIGENCE OR ACCIDENT. THIS WARRANTY IS IN LIEU OF ALL OTHER WARRANTIES, EXPRESSED OR IMPLIED, AND NO PERSON OR REPRESENTATIVE IS AUTHORIZED TO ASSUME FOR THE COMPANY ANY OTHER LIABILITY IN CONNECTION WITH THE SALE OF THIS PRODUCT. SOME STATES DO NOT ALLOW LIMITATIONS ON HOW LONG AN IMPLIED WARRANTY LASTS OR THE EXCLUSION OR LIMITATIONS OF INCIDENTAL OR CONSEQUENTIAL DAMAGE SO THE ABOVE LIMITATIONS OR EXCLUSIONS MAY NOT APPLY TO YOU. This warranty gives you specific legal rights and you may also have other rights which vary from state to state.

### *NON-WARRANTY SERVICE*

If non-warranty service is required, the product may be sent to the Company for repair/ replacement, transportation prepaid, by calling 1-800-RECOTON for details, complete instructions, and service fee charges.

Warning: Changes or modifications to this unit not expressly approved by the party responsible for compliance could void the user's authority to operate the equipment.



**JENSEN**

A Recoton® Company  
A Division of Recoton® Corp.  
2950 Lake Emma Road  
Lake Mary, FL 32746  
© 1999 Recoton Corp.  
**MADE IN CHINA**