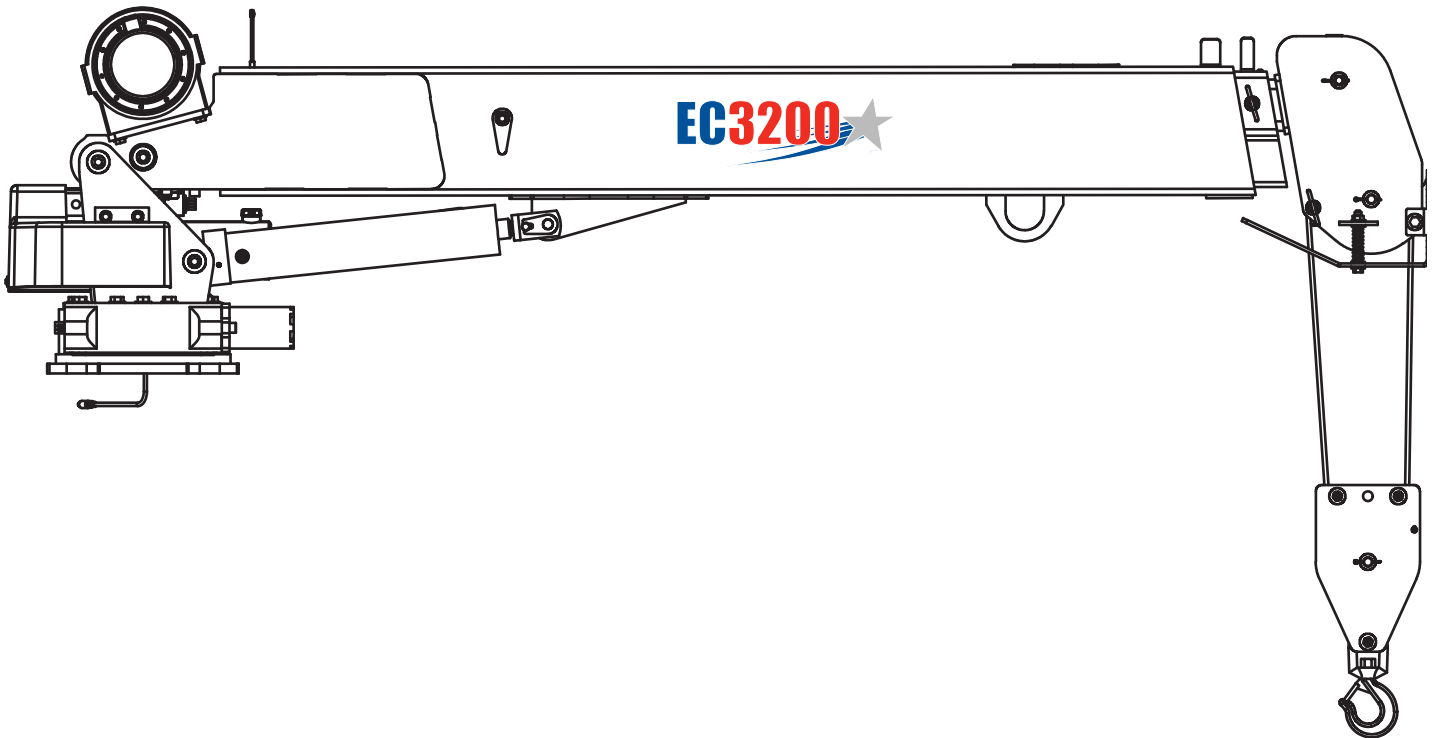




MODEL EC3200

TELESCOPIC CRANE OWNERS' MANUAL

Installation • Assembly Drawings • Parts



Stellar Industries, Inc.

190 State Street

PO Box 169

Garner, IA 50438

800-321-3741

Fax: 641-923-2811

www.stellarindustries.com

Subject to Change without Notification.
© 2012 Stellar Industries, Inc.

Last Revision: 09/06/12

EC3200 Manual Revisions

| Date of Revision | Section Revised | Description of Revision |
|------------------|-----------------|-------------------------|
| | | |
| | | |

Table of Contents

| | |
|---|-----------|
| Chapter 1 - Specifications | 1 |
| Capacity Chart - Decal PN 42817 | 2 |
| Chapter 2 - Installation | 3 |
| Installation Overview | 4 |
| Flatbed Body Reinforcement | 5 |
| EC3200 Mounting Detail | 5 |
| EC3200 Installation Drawing | 6 |
| Hydraulic Kit - PN 42799 | 7 |
| Control Kit - PN 42804 | 8 |
| EC3200 Wiring Diagram (Two Battery) | 9 |
| EC3200 Wiring Diagram (One Battery) | 10 |
| Valve Bank Drawing | 11 |
| Stability Procedure | 12 |
| Stability Capacity Chart | 13 |
| Decal Kit Placement - PN 42816 | 14 |
| Chapter 3 - Assembly Drawings | 15 |
| Base Assembly - PN 42525 | 15 |
| Base Assembly (Narrow Version) - PN 44613 | 16 |
| Mast Assembly - PN 42787 | 17 |
| Main Boom Assembly - PN 42512 | 18 |
| Extension Boom Assembly - PN 42520 | 19 |
| Cable & Hook Assembly - PN 42781 | 20 |
| Radio Transmitter Assembly | 21 |
| Chapter 4 - Replacement Parts | 23 |

Find a Dealer Near You:

<http://www.stellarindustries.com/pages/dist/distsearch.htm>

For Technical Questions, Information, Parts, or Warranty, Call Toll-Free at

800-321-3741

Hours: Monday - Friday, 8:00 a.m. - 5:00 p.m. CST

Or email at the following addresses:

Technical Questions, and Information
Order Parts
Warranty Information

service@stellarindustries.com
parts@stellarindustries.com
warranty@stellarindustries.com

This page intentionally left blank.

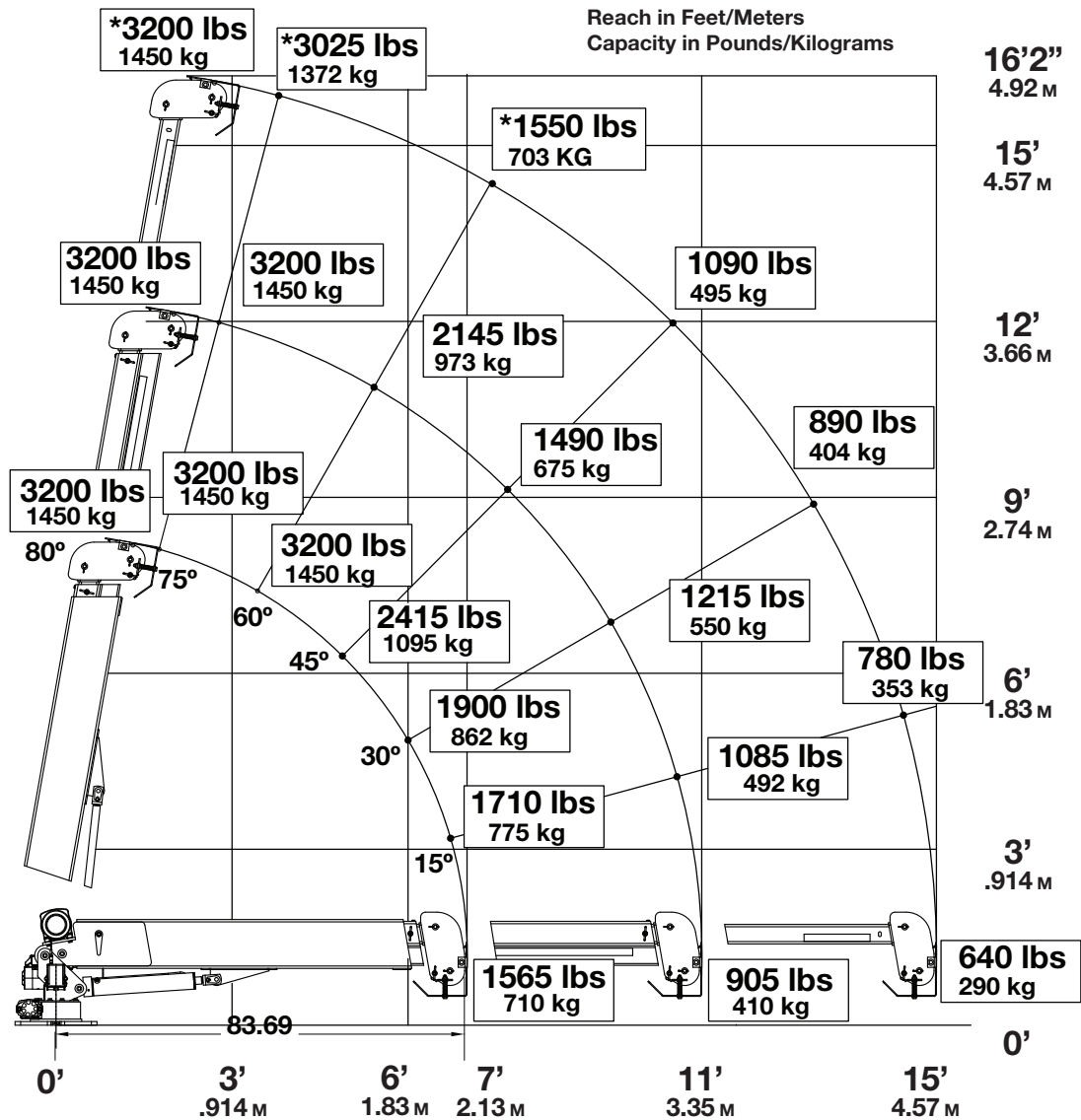
Chapter 1 - Specifications

Model EC3200 Crane SPECIFICATION SHEET

| | |
|---|---|
| Crane Rating: | 11,500 ft-lb (1.59 TM) |
| Standard Boom Length: | 7' (2.13 m) from CL of Crane |
| Boom Extension: | 1st stage: Hydraulic 48" (121.9 cm) 2nd stage: Manual 48" (121.9 cm) |
| Maximum Horizontal Reach: | 15' (4.57 m) from CL of Crane |
| Maximum Vertical Lift: (from crane base) | 16' 2" (4.93 m) |
| Boom Elevation: | -5 to +80 degrees |
| Stowed Height: (crane only) | 24" (61.0 cm) |
| Mounting Space Required: | 18" x 15" (45.7 x 38.1 cm) |
| Approximate Crane Weight: | 730 lbs (331 kg) |
| Controls: | Radio control standard for all functions. |
| Winch Specifications | |
| Rope Length: | 65 ft (19.8 m) |
| Rope Diameter: | 7/32" (.56 cm) |
| Line pull speed: | 15 ft/min (4.6 m/min) |
| Max. single part line: | 1600 lbs (725 kg) |
| Max. double part line: | 3200 lbs (1450 kg) |
| Rotation: (worm gear) | 410 degree power |
| Lifting Capacities: | 1625 lbs @ 7' (737 kg @ 2.1 m) 905 lbs @ 11' (410 kg @ 3.35 m) 640 lbs @ 15' (290 kg @ 4.6 m) |
| Power Supply Required: | 12 volt power unit (2.0 gpm @ 2600 psi) (7.57 lpm @ 179 bar) |

*Subject to change without notification

Capacity Chart - Decal PN 42817



Weight of load handling devices are part of the load lifted and must be deducted from the capacity.

Maximum 1 - part line capacity is 1600lbs (725kg). For greater loads, use 2 - part line.



Chapter 2 - Installation

Notice: Read this Page Before Installation of the Crane

General Installation

This chapter is designed to serve as a general guide for the installation of a Stellar EC3200 Crane on a Stellar Service Body. Each installation is considered unique so certain portions of this chapter may or may not apply to your direct application. If a question should arise during the installation process, please contact Stellar Customer Service at (800) 321 3741.

This crane is designed for use with a Stellar Service Body installed on a vehicle that meets the minimum chassis requirements of the crane. It is the installer's responsibility to assure that the crane is mounted on a platform that will support the maximum crane rating of this crane.

Notice:

PTO and Pump installation instructions are provided by the corresponding manufacturers. For more information on which PTO and Pump fit your application, please contact your local Stellar Distributor or Stellar Customer Service.

Important: When installing welder units to the service bodies, it is highly recommended that a surge protector is installed on the chassis batteries to protect the crane radio receiver, wiring and other electronic devices from an unexpected electrical spike or surge. Failure to do so could result in extensive damage to the service body and crane electrical circuit.

Installation Notice

According to Federal Law (49 cfr part 571), each final-stage manufacturer shall complete the vehicle in such a manner that it conforms to the standards in effect on the date of manufacture of the incomplete vehicle, the date of final completion, or a date between those two dates. This requirement shall, however, be superseded by any conflicting provisions of a standard that applies by its terms to vehicles manufactured in two or more stages.

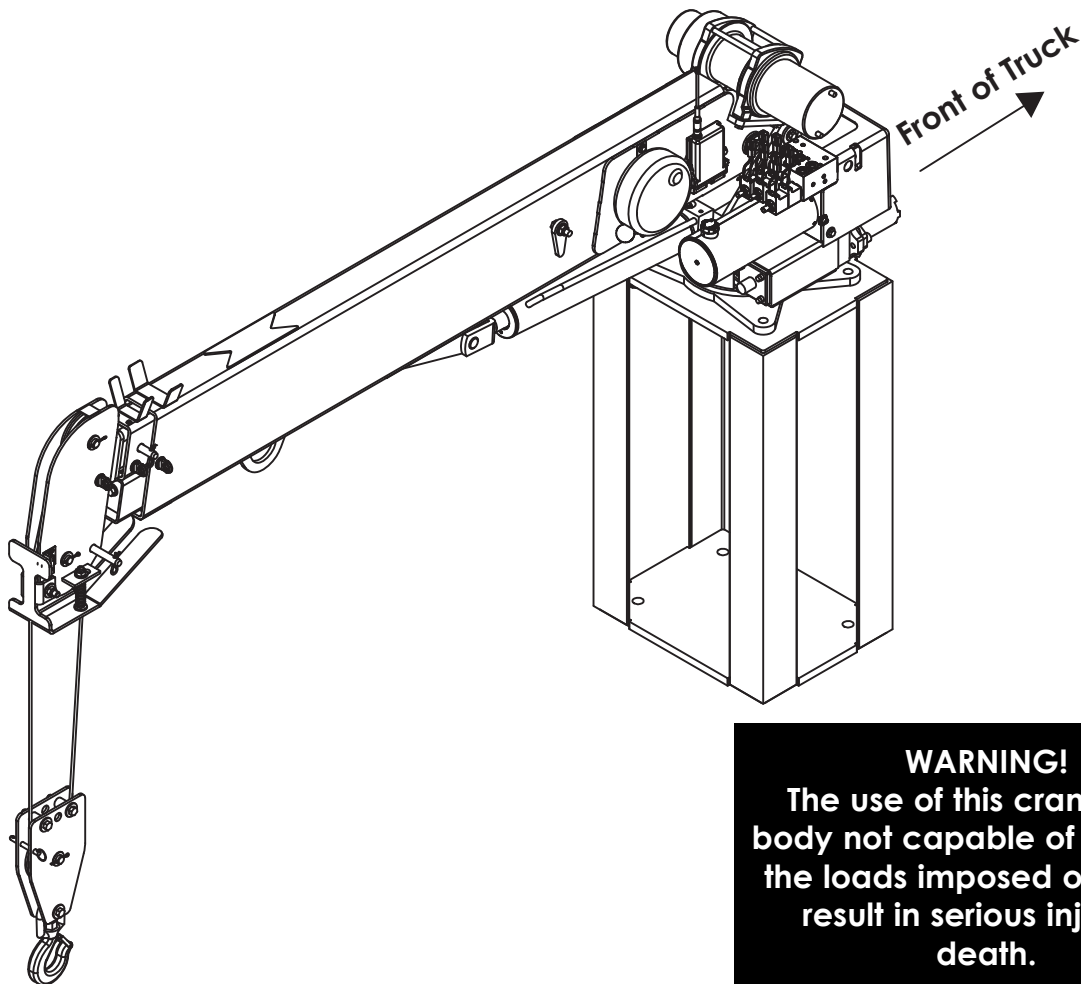
Therefore, the installer of Stellar cranes and bodies is considered one of the manufacturers of the vehicle. As such a manufacturer, the installer is responsible for compliance with all applicable federal and state regulations. They are required to certify that the vehicle is in compliance with the Federal Motor Vehicle Safety Standards and other regulations issued under the National Traffic and Motor Vehicle Safety Act.

Please reference the Code of Federal Regulations, title 49 - Transportation, Volume 5 (400-999), for further information, or visit <http://www.gpoaccess.gov/nara/index.html> for the full text of Code of Federal Regulations.

Installation Overview

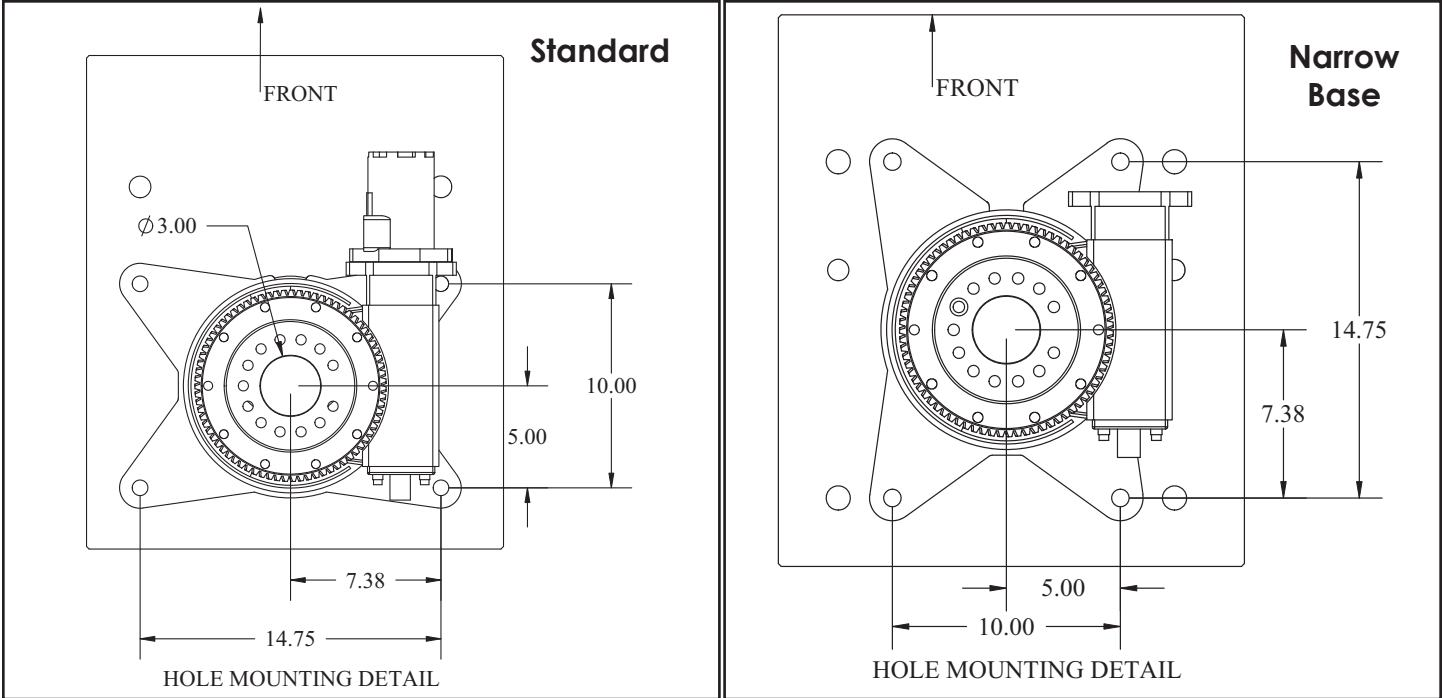
1. Determine that the mounting location for the EC3200 crane is at least 18" x 15" (45.7 x 38.1 cm).
2. Use the detail on the following page to drill .938" diameter holes into the mounting plate. Run tap on the threads of the base to be sure they are clean.
3. Use a crane or lifting device capable of lifting the weight of the Stellar crane. The Stellar EC3200 weighs approximately 800 lbs (360 kg). **Note: cranes are shipped with rotation positioned at 180 degrees from normal stowed travel position.** This will allow for easy installation of the crane and permanent connection of all hydraulic and electrical components prior to repositioning into the crane saddle.
4. Connect straps or chain from the lifting device to the main boom of the Stellar EC3200.
5. Use four (4) $\frac{7}{8}$ " x 1- $\frac{3}{4}$ " #8 bolts and four (4) #8 $\frac{7}{8}$ " flat washers.
6. Install a washer on each bolt.
7. Apply Loctite Thread locker #277 to the bolts.
8. Using the lifting device, lower the Stellar EC3200 just above the crane compartment and start the bolts. Have someone assist in leveling the crane.
9. Secure the crane using the mounting hardware provided. **Note: longer or shorter cap screws may be required – recommended thread engagement into crane base is 0.75" – use grade 8, zinc plated cap screws only.**
10. Torque the cap screws to 454 ft-lbs.
11. Remove supporting crane.
12. Hook-up hydraulics and electrical using the schematics provided at the end of this chapter.

Note: If questions should arise during any portion of this installation, please contact Stellar Customer Service at (800) 321-3741.



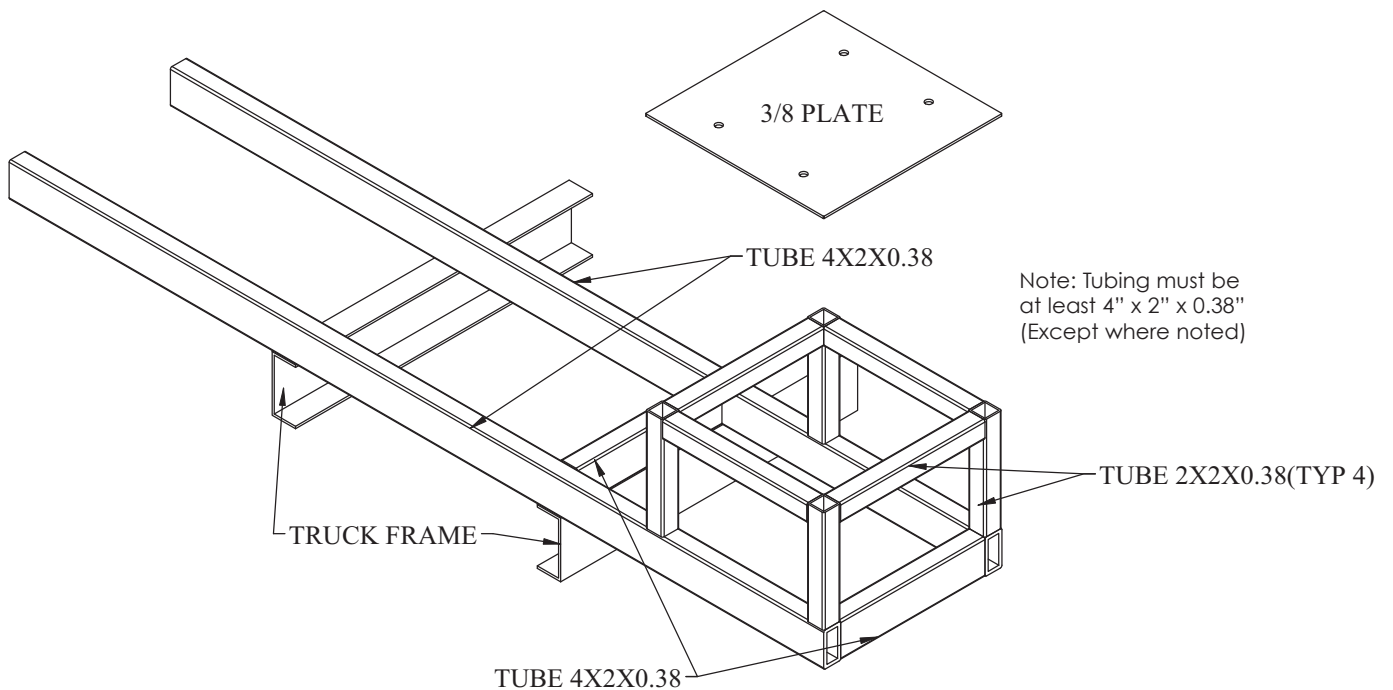
WARNING!
The use of this crane on a body not capable of handling the loads imposed on it may result in serious injury or death.

EC3200 Mounting Detail

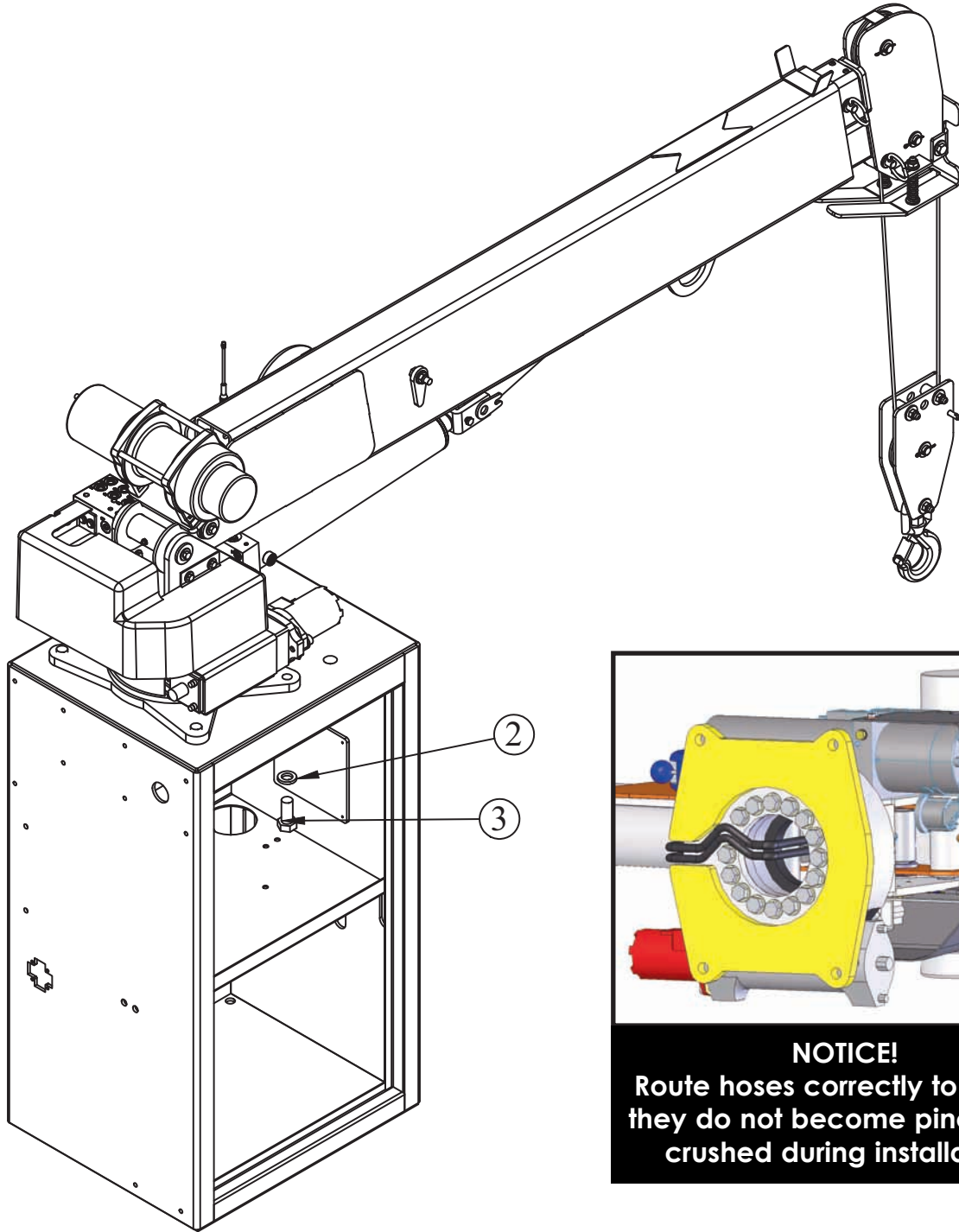


Flatbed Body Reinforcement

If it has been determined that the destination body won't support the crane with a fully rated load, the body must be reinforced. Use 1/4" fillet welds and an ASWS qualified welder to proceed as shown in this drawing:



EC3200 Installation Drawing

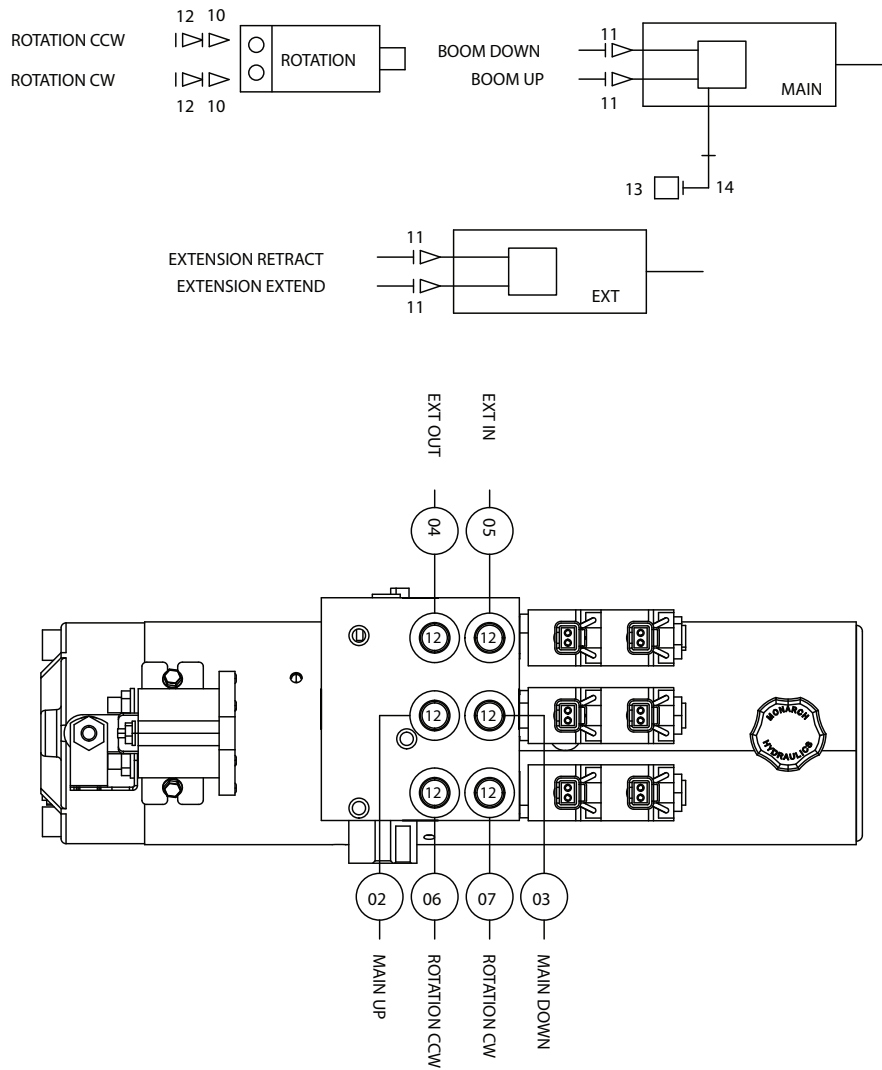


Stowed Position

| ITEM | PART | DESCRIPTION | QTY. |
|------|-------|---------------------------------|------|
| 2 | 18041 | WASHER 0.88 SAE FLAT YELLOW GR9 | 4 |
| 3 | 51377 | CAP SCR 0.88-9X2.00 HHGR9 | 4 |

NOTE:
STABILITY DECAL P/N 16881 IS PART OF THIS KIT

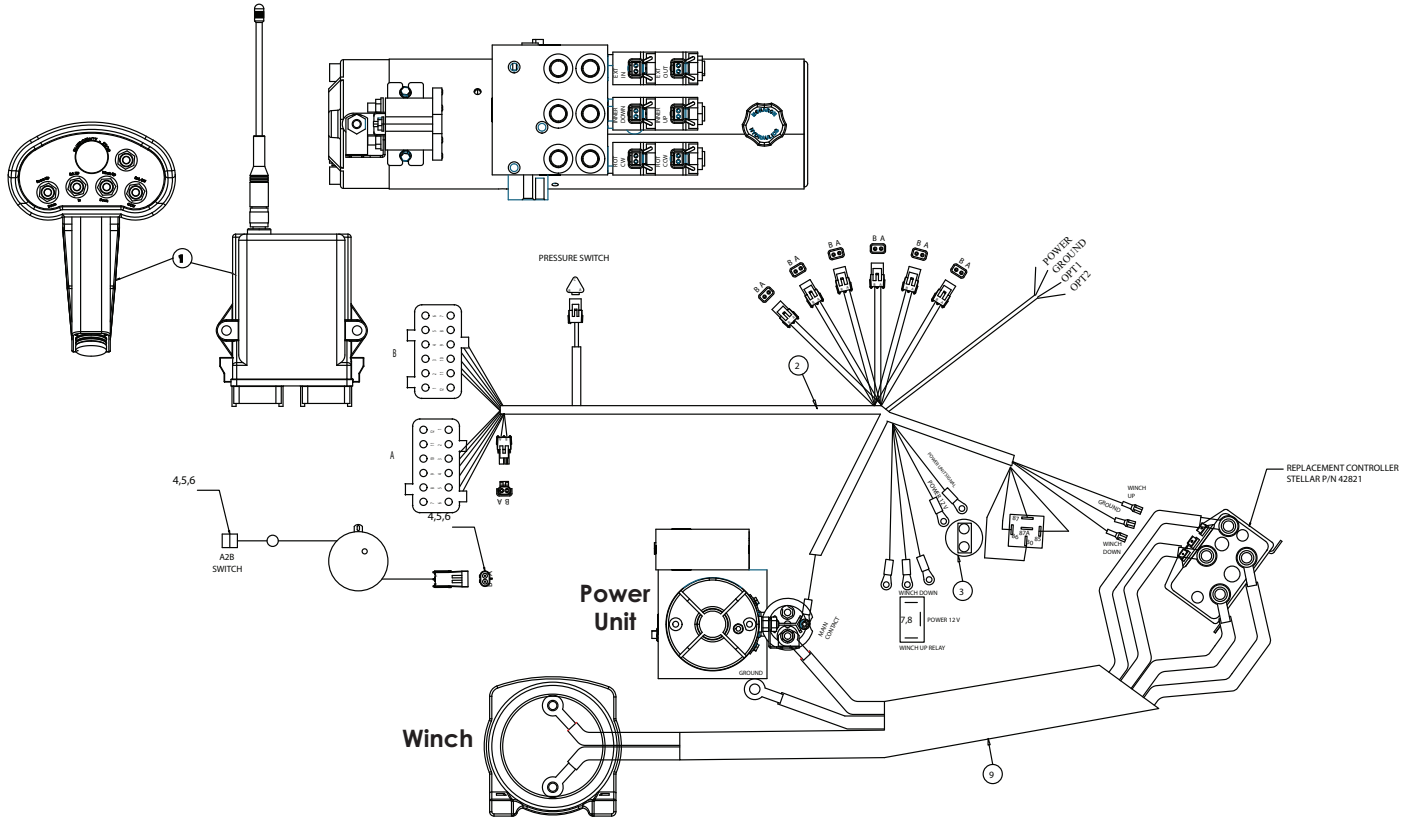
Hydraulic Kit - PN 42799



PN 42799

| | | | |
|------|----------|------------------------------------|------|
| 16 | | | |
| 15 | | | |
| 14 | 3861 | FTG ML FM O'RING 90 DEG | 1 |
| 13 | 49315 | SWITCH PRES OVERLD CD-11C-2900R/WD | 1 |
| 12 | C4922 | FTG ADAPT 4-6 F5OLO-S | 8 |
| 11 | D1291 | FTG ADAPT 4-F5OLO-S | 4 |
| 10 | C1111 | FTG ADAPT MSTR/FSTR 10-6 F5OG5 | 2 |
| 09 | | | |
| 08 | | | |
| 07 | 42984 | HOSE-HYD .25X 43 | 1ref |
| 06 | 42982 | HOSE-HYD .25 X 42 | 1ref |
| 05 | 43847 | HOSE-HYD .25 X 20 | 1ref |
| 04 | 42981 | HOSE-HYD .25 X 19 | 1ref |
| 03 | 42983 | HOSE-HYD .25 X 23 | 1ref |
| 02 | 42980 | HOSE-HYD .25 X 22 | 1ref |
| 01 | 42800 | HOSE KIT 3315 CRANE (incl:2-11) | 1 |
| ITEM | PART No. | DESCRIPTION | QTY |

Control Kit - PN 42804

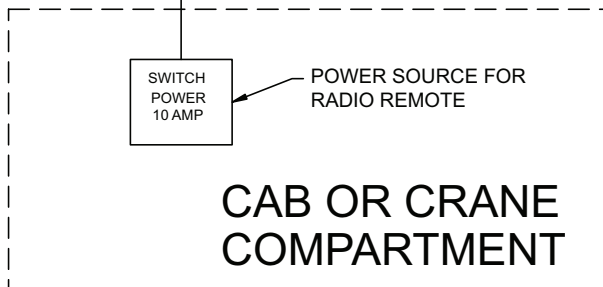
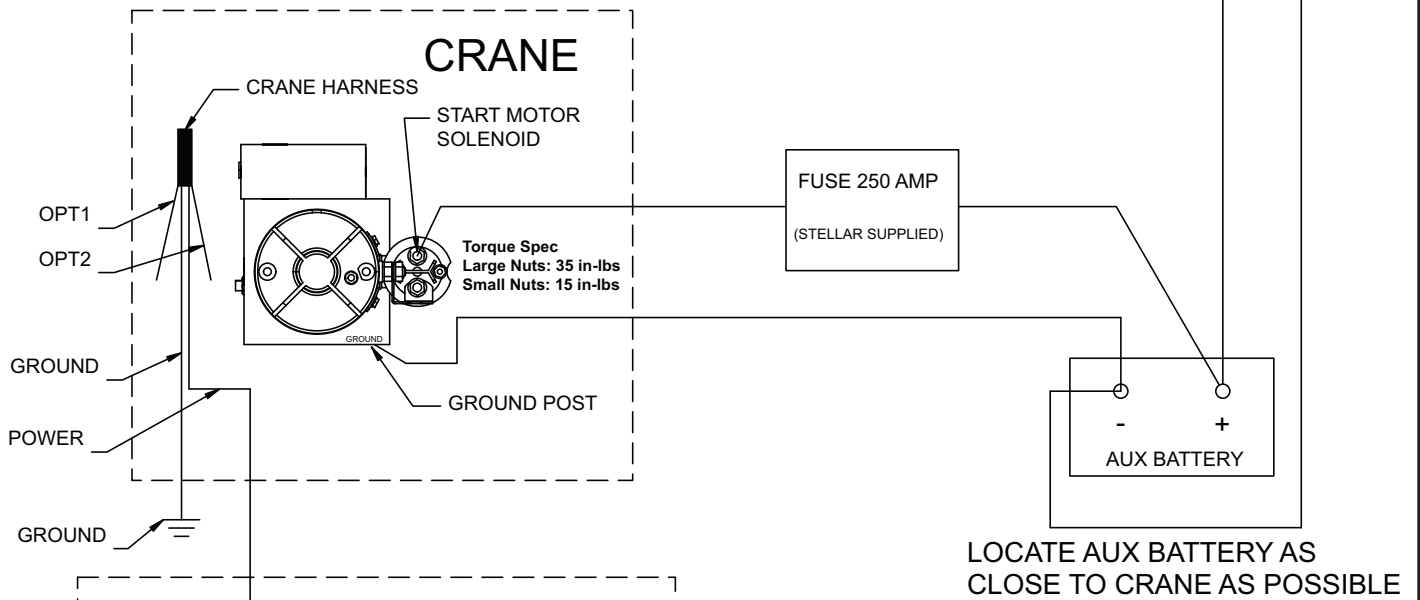
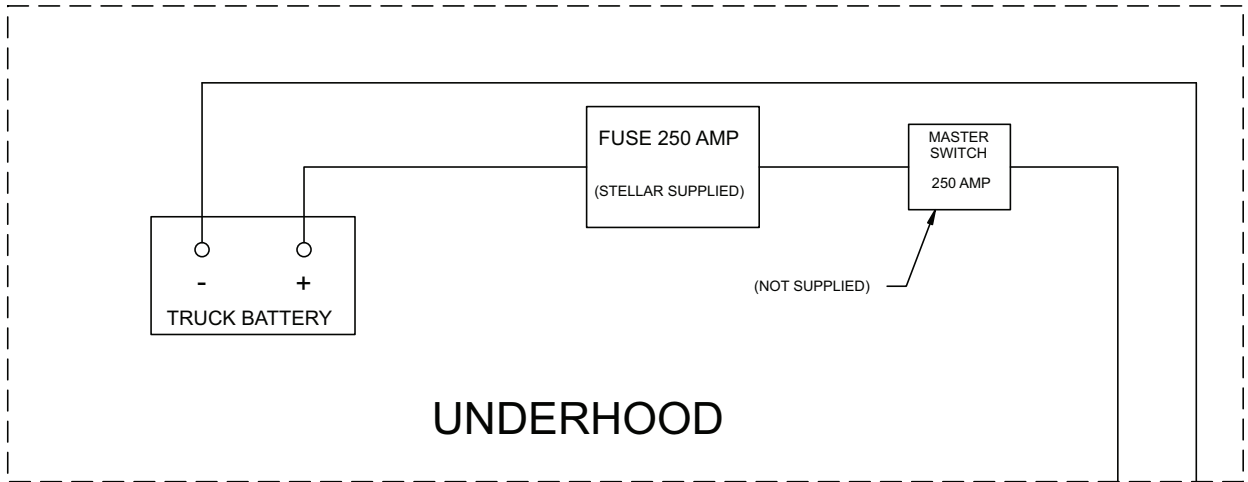


NOTE: P/N 47409 INCLUDES HARNESS & WINCH CONTROLLER

PN 42804

| | | | |
|------|----------|-------------------------------------|-----|
| 12 | | | |
| 11 | 36436 | FUSE 250 AMP 46276 | 1 |
| 10 | 32523 | FUSE HOLDER 46039 | 1 |
| 09 | 47092 | WIRE HARNESS 3315 MULTI FUNCTION VB | 1 |
| 08 | 47409 | COVER SWITCH EC3200 | 1 |
| 07 | 47410 | SWITCH MOM SPST 20A | 1 |
| 06 | 9756 | CONTACT M TERM SHROUD 14-16 31034 | 4 |
| 05 | 8384 | CABLE SEAL 18-20 PACKARD 39000 | 4 |
| 04 | 9752 | CONNECT 2 PIN SHROUD PACKARD | 2 |
| 03 | 17771 | SWITCH PUSH BUTTON 9216-03 | 1 |
| 02 | 42805 | WIRE HARNESS 3315 MULTI FUNCTION VB | 1 |
| 01 | 42976 | RADIO CNTRL ASM 5 FCTN ON/OFF | 1 |
| ITEM | PART No. | DESCRIPTION | QTY |

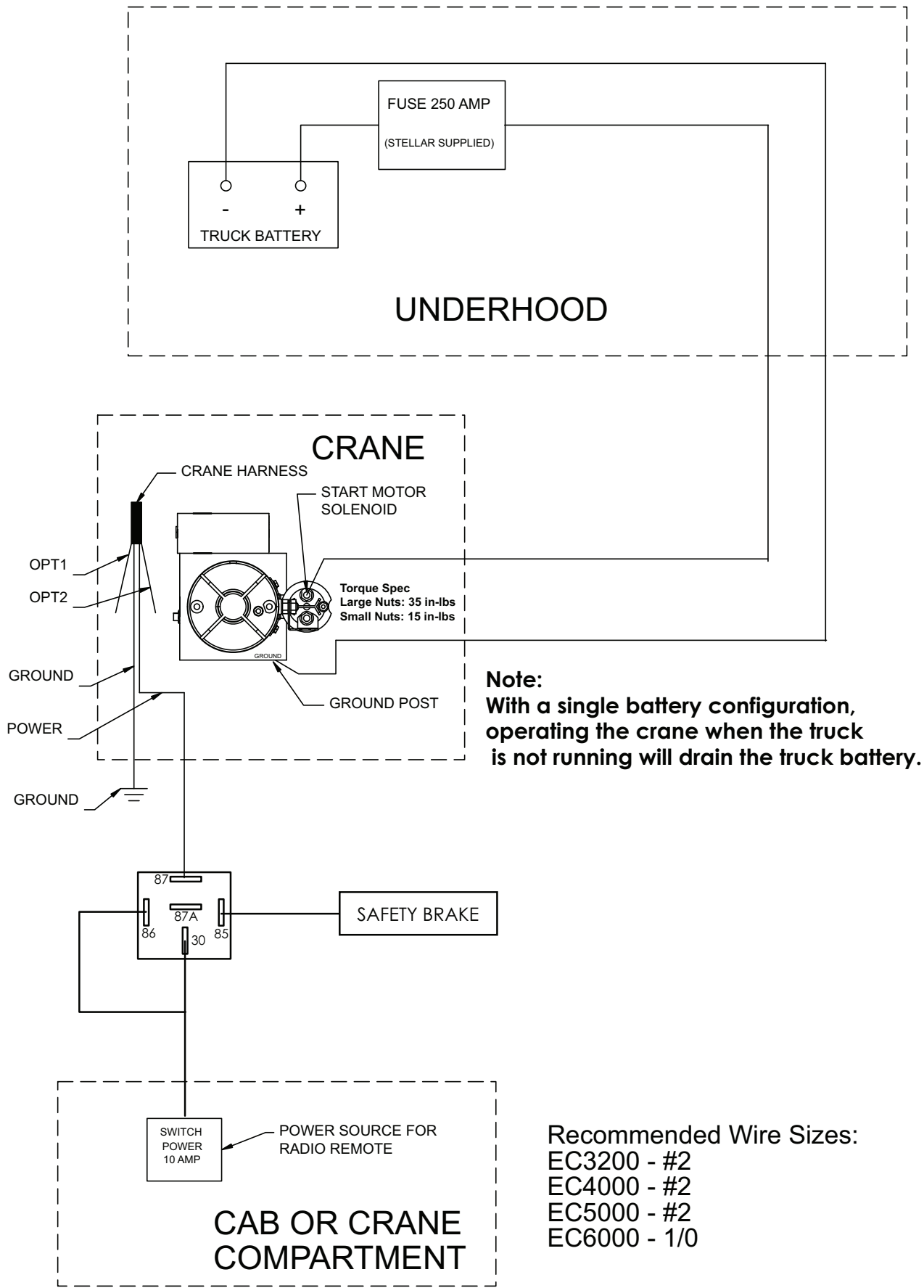
EC3200 Wiring Diagram (Two Battery)



Recommended Wire Sizes:

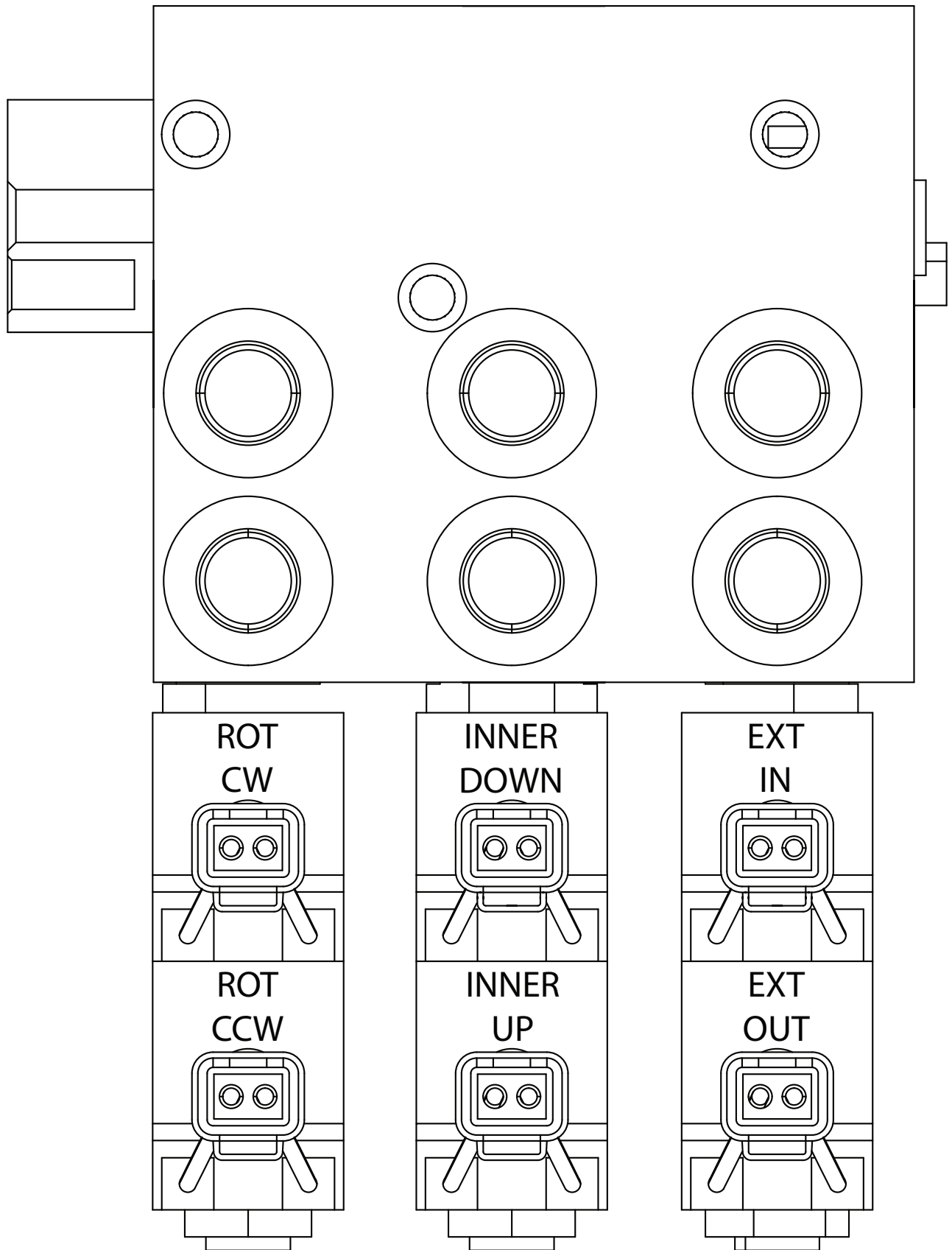
- EC3200 - #2
- EC4000 - #2
- EC5000 - #2
- EC6000 - 1/0

EC3200 Wiring Diagram (One Battery)



Recommended Wire Sizes:
 EC3200 - #2
 EC4000 - #2
 EC5000 - #2
 EC6000 - 1/0

Valve Bank Drawing



Stability Procedure

Definition of Stability for the Stellar Telescopic Crane Products:

A truck is stable until the load cannot be lifted off the ground with the winch, without tipping over the truck. Every Stellar crane installed must be tested for stability to determine the actual load capacity of the final truck package. The actual test data must be recorded and supplied with the truck at the time of in-service and should be kept with the truck at all times. The following procedure will test the truck package for stability and will provide a stability capacity chart. The load limit information shown on the stability capacity chart is formulated on 85% tipping.

Set Up:

1. Locate the truck on a test course in position for loading and engage travel brakes.
2. Set stabilizers so that they make contact with firm, level footings.
3. Operate the crane under partial load to assure operator proficiency and proper machine function.

EC3200 Stability Data

Max Horizontal Reach: 180" (From the center of rotation to boom tip)
Stability Test Weight: 755 lbs.

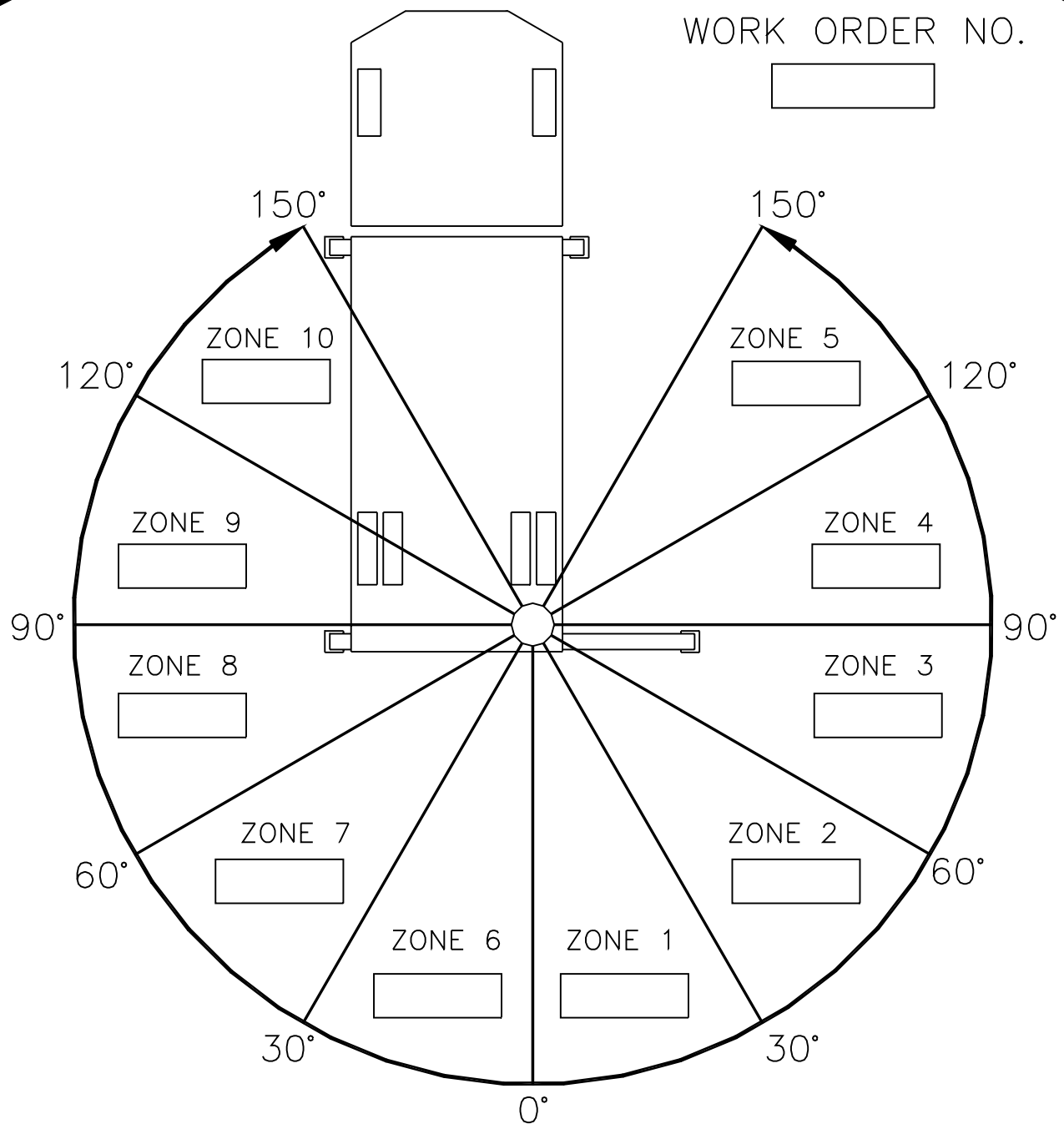
Test Procedure

1. Rotate the crane into Zone 1 position.
2. With the crane fully retracted and the boom horizontal, winch the test weight off the ground. Note: Keep weight within six inches of the ground at all times.
3. Extend the boom outward until full extension has been reached or until the truck becomes unstable (Again, use the winch to keep the weight within six inches of the ground.)
4. If the boom goes full extension without becoming unstable, the crane is termed stable for this zone and 100% can be written in the Zone 1 data box.
5. If the truck becomes unstable prior to going full extension, retract the boom until the truck becomes stable and measure the horizontal reach in this position (center of rotation to boom tip). This is the stable horizontal reach for this zone. Stable horizontal reach divided by Maximum horizontal reach multiplied by 100 equals the percentage of rated capacity for this zone. Use the following formula to determine the percentage of rated capacity:

$$\frac{\text{Stable Horizontal Reach}}{\text{Max Horizontal Reach}} \times 100 = \text{Percentage of Rated}$$

6. Record this number in the data box for Zone 1. This is the revised capacity due to stability for this zone.
7. Repeat this procedure for each zone until the worksheet is completed.
8. This is the revised capacity based on stability of this package.

Stability Capacity Chart

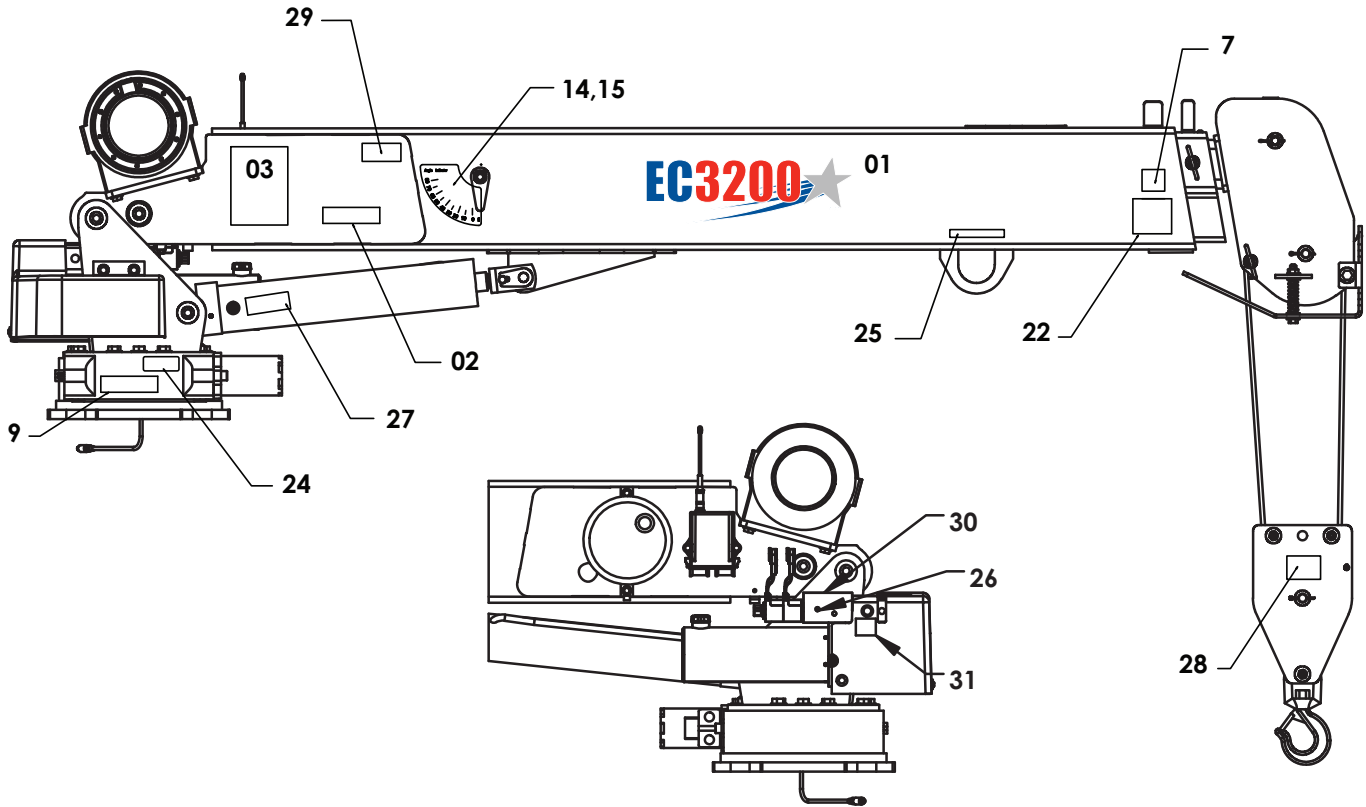


BOXES TO BE FILLED IN WITH PERCENTAGE OF RATED CAPACITY IN THE APPROPRIATE REGION.

STABILITY CAPACITY CHART

STABILITY is based on this specific truck package.

Decal Kit Placement - PN 42816



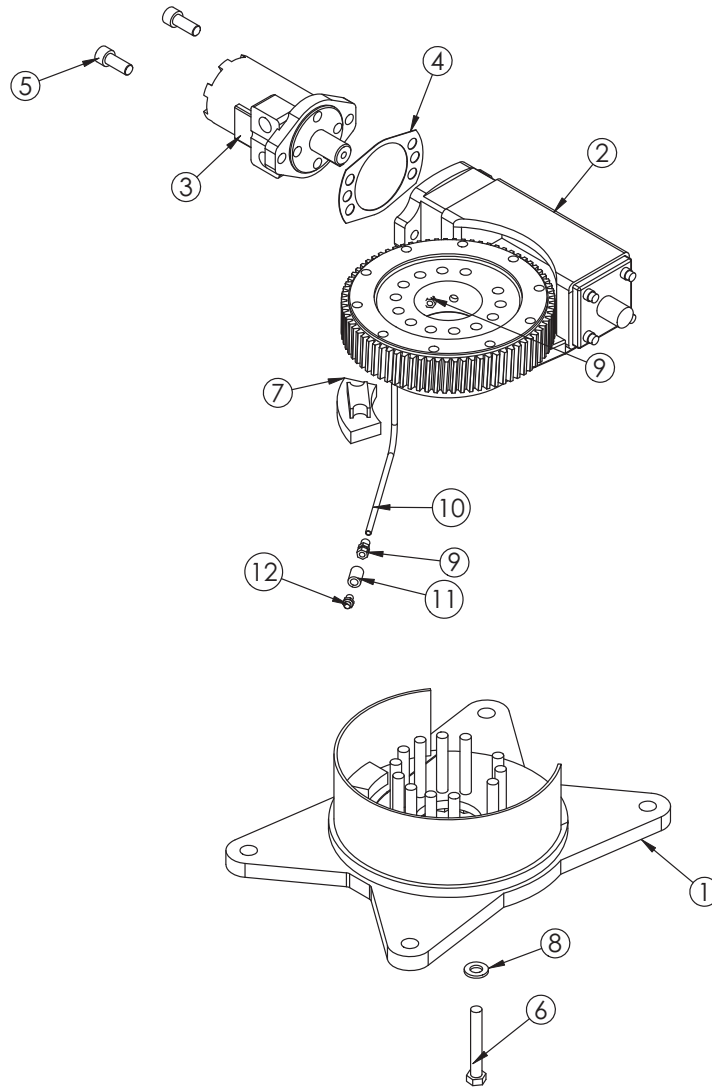
PN 42816

*USE THESE DECALS WITH BODY PACKAGE
 **THESE DECALS NOT INCLUDED WITH THE DECAL KIT

| ITEM | PART No. | DESCRIPTION | QTY | ITEM | PART No. | DESCRIPTION | QTY |
|------|----------|------------------------------|-----|------|----------|----------------------------------|-----|
| | | | | **31 | 18472 | DECAL MANUAL OPERATION | 1 |
| 15 | 13819 | DECAL-ANGLE INDICATOR SS | 1 | 30 | 42820 | DECAL VB CONTROL EC3200 | 1 |
| 14 | 13820 | DECAL ANGLE INDICATOR CS | 1 | 29 | 35234 | DECAL STELLAR MADE IN THE USA | 1 |
| *13 | C1179 | DECAL-ELECTROCUTION 4.5x7.5 | 2 | 28 | 42819 | DECAL SNATCH BLOCK CAP 3 TON | 1 |
| *12 | C5918 | DECAL-DANGER MOVING O.R. | 2 | 27 | 28256 | DECAL WARNING OVERLOAD DEVICE | 1 |
| *11 | C4795 | DECAL-DANGER O.R. | 2 | 26 | 25159 | DECAL WARNING MANUAL OVERRIDES | 1 |
| *10 | 4190 | DECAL-DANGER | 1 | 25 | 24712 | DECAL CAUTION STOW HOOK | 1 |
| 09 | 9188 | DECAL-ROTATE/GREASE | 1 | 24 | 15171 | DECAL GREASE WORM DRIVE BEARINGS | 1 |
| *08 | 4189 | DECAL-DANGER | 1 | *23 | C4541 | DECAL-CRANE STOWING | 1 |
| 07 | 4186 | DECAL-ELECTROCUTION 2x2.75 | 1 | 22 | 12300 | DECAL-TWO BLOCKING | 1 |
| *06 | C4544 | DECAL-DANGER | 1 | *21 | 4214 | DECAL-SERVICE | 1 |
| *05 | C4540 | DECAL-DANGER | 1 | *20 | C0568 | DECAL-DIESEL | 2 |
| *04 | C4545 | DECAL-ELECTROCUTION 5x13 | 4 | *19 | 12452 | DECAL MANUAL EXT | 1 |
| *03 | 42817 | DECAL CAPACITY | 2 | *18 | C5911 | DECAL-STEELAR 2x4.5 | 3 |
| 02 | 15172 | DECAL ASME/ANSI B30.22/B30.5 | 1 | *17 | C5910 | DECAL-STEELAR 4x9.5 | 1 |
| 01 | 42818 | DECAL IDENTIFICATION | 2 | *16 | 12451 | DECAL HOISTING PERSONNEL | 1 |

Chapter 3 - Assembly Drawings

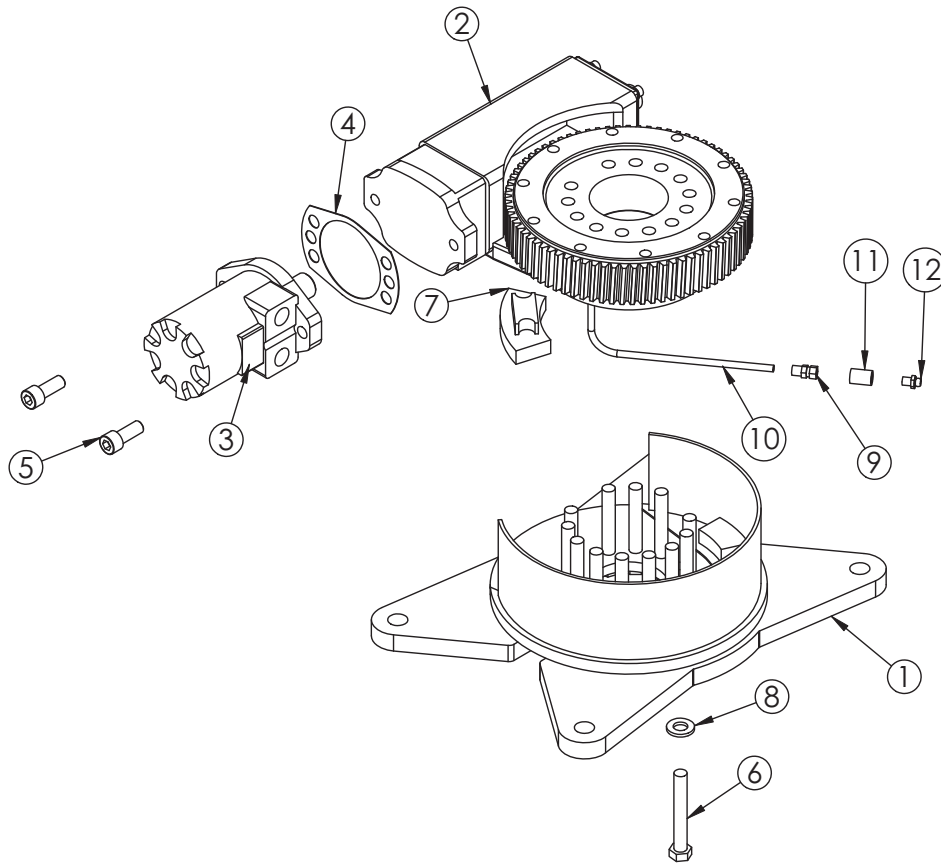
Base Assembly - PN 42525



PN 42525

| ITEM | PART | DESCRIPTION | QTY. |
|------|-------|---------------------------------------|-------|
| 1 | 42784 | BASE EC3200 | 1 |
| 2 | 41640 | BEARING SWING DRIVE 170-00058-1 | 1 |
| 3 | 62487 | MOTOR 80CC EC3200 YMPH-80-H2(R)-K-S-B | 1 |
| 4 | 21151 | GASKET MOTOR 008-10056-1 | 1 ref |
| 5 | D1307 | CAP SCR 0.50-13X1.25 SH | 2 |
| 6 | 30750 | CAP SCR 0.50-13X3.50 HHGR8 | 13 |
| 7 | 42795 | STOP SLIDING EC3200 | 1 |
| 8 | D0790 | WASHER 0.50 FLAT GR8 | 13 |
| 9 | D1345 | FTG CPRSN 0.12NPT/0.25 TUBE | 2 |
| 10 | D1810 | TBE AIR SAEJ844 TYPE A .25 (RM) | 1 |
| 11 | C2256 | FTG COUPLER PIPE 0.13 | 1 |
| 12 | 56589 | ZERK 1/8 NPT STRAIGHT LONG THREAD | 1 |

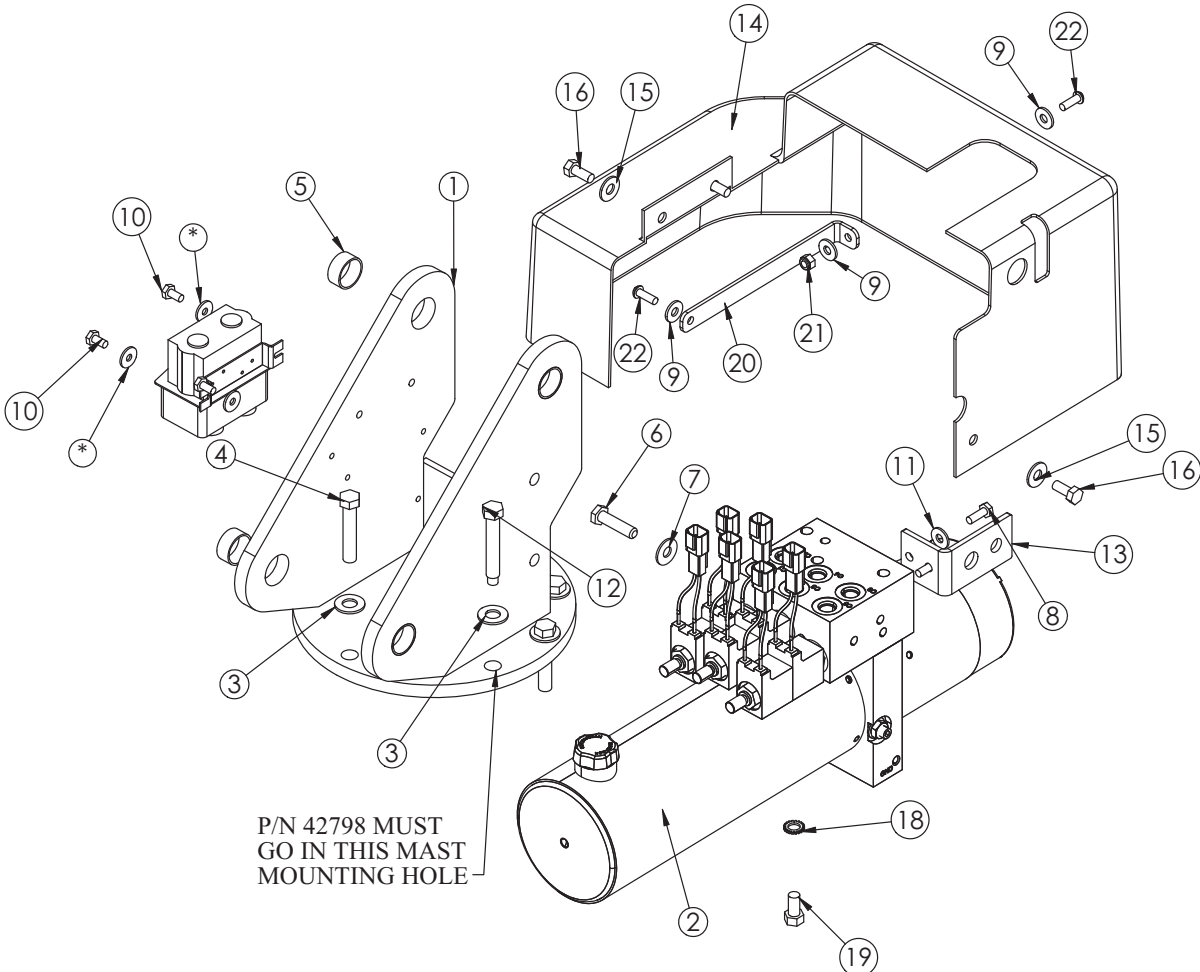
Base Assembly (Narrow Version) - PN 44613



PN 44613

| ITEM | PART | DESCRIPTION | QTY. |
|------|-------|---------------------------------------|-------|
| 1 | 44614 | BASE EC3200 NARROW | 1 |
| 2 | 41640 | BEARING SWING DRIVE 170-00058-1 | 1 |
| 3 | 62487 | MOTOR 80CC EC3200 YMPH-80-H2(R)-K-S-B | 1 |
| 4 | 21151 | GASKET MOTOR 008-10056-1 | 1 ref |
| 5 | D1307 | CAP SCR 0.50-13X1.25 SH | 2 |
| 6 | 30750 | CAP SCR 0.50-13X3.50 HHGR8 | 13 |
| 7 | 42795 | STOP SLIDING EC3200 | 1 |
| 8 | D0790 | WASHER 0.50 FLAT GR8 | 13 |
| 9 | D1345 | FTG CPRSN 0.12NPT/0.25 TUBE | 2 |
| 10 | D1810 | TBE AIR SAEJ844 TYPE A .25 (RM) | 1 |
| 11 | C2256 | FTG COUPLER PIPE 0.13 | 1 |
| 12 | 56589 | ZERK 1/8 NPT STRAIGHT LONG THREAD | 1 |

Mast Assembly - PN 42787



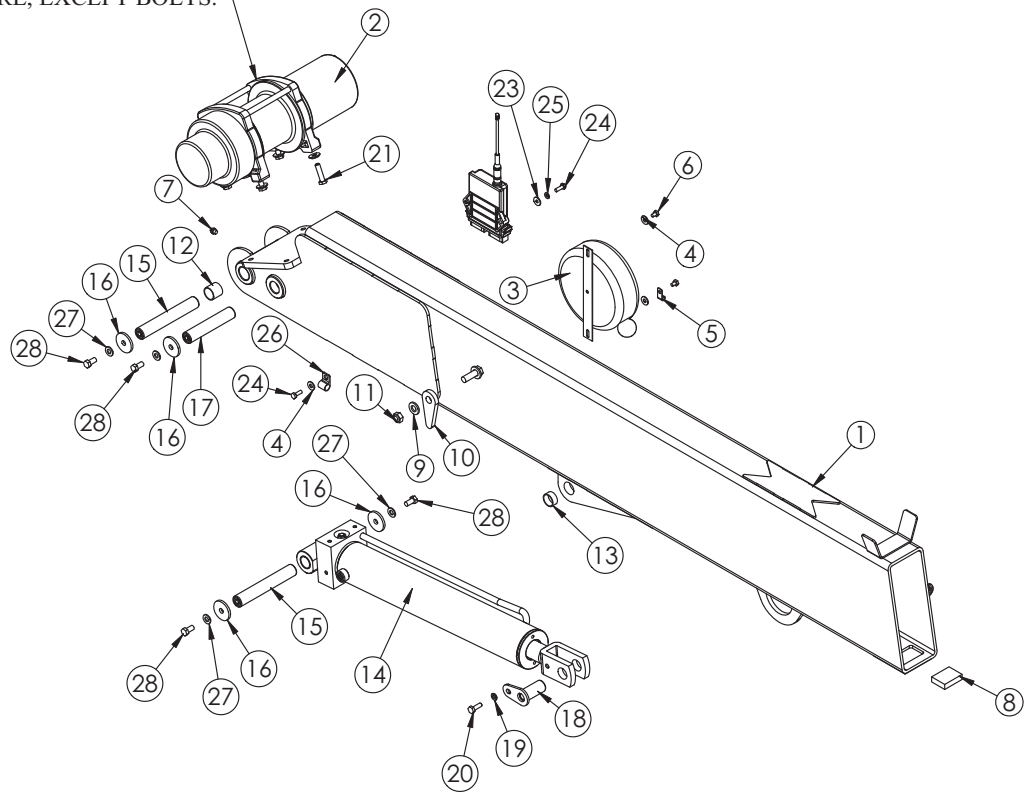
NOTE: WINCH CONTROLLER(P/N 42821) SHOWN FOR REFERENCE

PN 42787

| ITEM | PART | DESCRIPTION | QTY. |
|------|-------|---------------------------------|------|
| 1 | 42318 | MAST EC3200 | 1 |
| 2 | 42513 | POWER UNIT 12V EC3200 | 1 |
| 3 | 42788 | WASHER 0.44 SAE FLAT YELLOW GR8 | 8 |
| 4 | 42789 | CAP SCR 0.44-14X2.25 HHGR8 ZY | 7 |
| 5 | 20362 | BUSHING IGUS GFI-1618-08 | 4 |
| 6 | 0345 | CAP SCR 0.38-16X1.50 HHGR5 | 2 |
| 7 | 0346 | WASHER 0.38 FLAT | 2 |
| 8 | 0479 | CAP SCR 0.25-20X0.75 HHGR5 | 2 |
| 9 | D0917 | WASHER 0.25 FLAT SS | 6 |
| 10 | 0478 | CAP SCR 0.25-20X0.50 HHGR5 | 3 |
| 11 | 0340 | WASHER 0.25 FLAT | 2 |
| 12 | 43579 | CAP SCR 0.44-14X2.75 MOD EC3200 | 1 |
| 13 | 47411 | BRKT OVERRIDE BUTTON EC3200 | 1 |
| 14 | 44475 | COVER EC3200 HDPE | 1 |
| 15 | 0343 | WASHER 0.31 USS FLAT ZINC | 3 |
| 16 | 0420 | CAP SCR 0.31-18X0.75 HHGR5 | 3 |
| 18 | 5870 | WASHER 0.38 STAR EXTERNAL | 1 |
| 19 | 0492 | CAP SCR 0.38-16X0.75 HHGR5 | 1 |
| 20 | 51896 | BRKT COVER EC CRANES | 1 |
| 21 | 30659 | NUT 0.25-20 HH NYLOC SS | 1 |
| 22 | C6021 | CAP SCR 0.25-20X0.75 BTNHD SS | 2 |

Main Boom Assembly - PN 42512

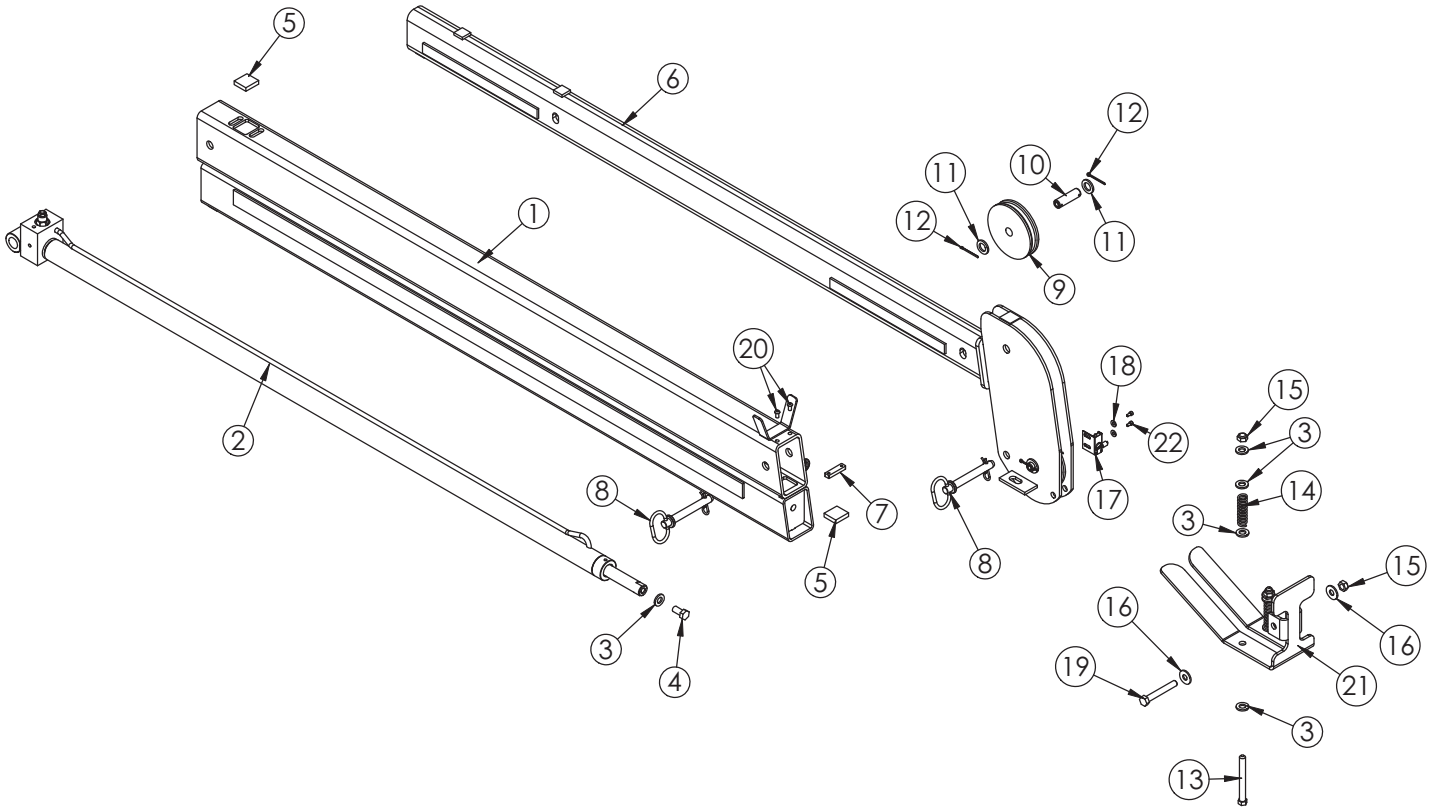
MOUNTING HARDWARE WILL BE PART OF THE WINCH PACKAGE. USE ALL HARDWARE, EXCEPT BOLTS.



PN 42512

| ITEM | PART | DESCRIPTION | QTY. |
|------|---------|---------------------------------|------|
| 1 | 42303 | INNER BOOM EC3200 | 1 |
| 2 | 41641 | WINCH DC2000 WARN 63899 | 1 |
| 3 | 11544 | CORD REEL 6620 | 1 |
| 4 | 0340 | WASHER 0.25 FLAT | 3 |
| 5 | C5606 | CLAMP 0.25 BLK VINYL | 1 |
| 6 | 43845 | CAP SCR 0.25-20X0.38 HHGR5 | 2 |
| 7 | c1592 | ZERK 1/8 NPT STRAIGHT | 1 |
| 8 | 42508 | WEAR PAD 0.50X1.50X2.00 | 1 |
| 9 | D0790 | WASHER 0.50 FLAT GR8 | 4 |
| 10 | 13815PC | PLATE ANGLE INDICATOR | 2 |
| 11 | C6106 | NUT 0.50-13 HHGR5 NYLOC | 2 |
| 12 | 0069 | BUSHING QSI-1618-16 | 2 |
| 13 | 20362 | BUSHING IGUS GFI-1618-08 | 1 |
| 14 | 42503 | CYLINDER 3.00X13.00 | 1 |
| 15 | 42515ZP | PIN 1.00X6.38 D&T | 2 |
| 16 | 9320 | PIN CAP 0.44X1.75X0.19 SS | 6 |
| 17 | 42516ZP | PIN 1.00X5.13 D&T | 1 |
| 18 | 42517ZP | PIN TEAR DROP 1.00X2.19 | 1 |
| 19 | 5591 | WASHER 0.31 SAE FLAT YELLOW GR8 | 1 |
| 20 | 21170 | CAP SCR 0.31-18X1.00 HHGR8 | 1 |
| 21 | 0345 | CAP SCR 0.38-16X1.50 HHGR5 | 4 |
| 23 | D0917 | WASHER 0.25 FLAT SS | 2 |
| 24 | 0479 | CAP SCR 0.25-20X0.75 HHGR5 | 3 |
| 25 | 0521 | WASHER 0.25 LOCK | 2 |
| 26 | C0081 | CLAMP 0.50 BLK VINYL | 1 |
| 27 | C6353 | WASHER 0.38 SAE FLAT YELLOW GR8 | 6 |
| 28 | 9843 | CAP SCR 0.38-16X0.75 HHGR8 | 6 |

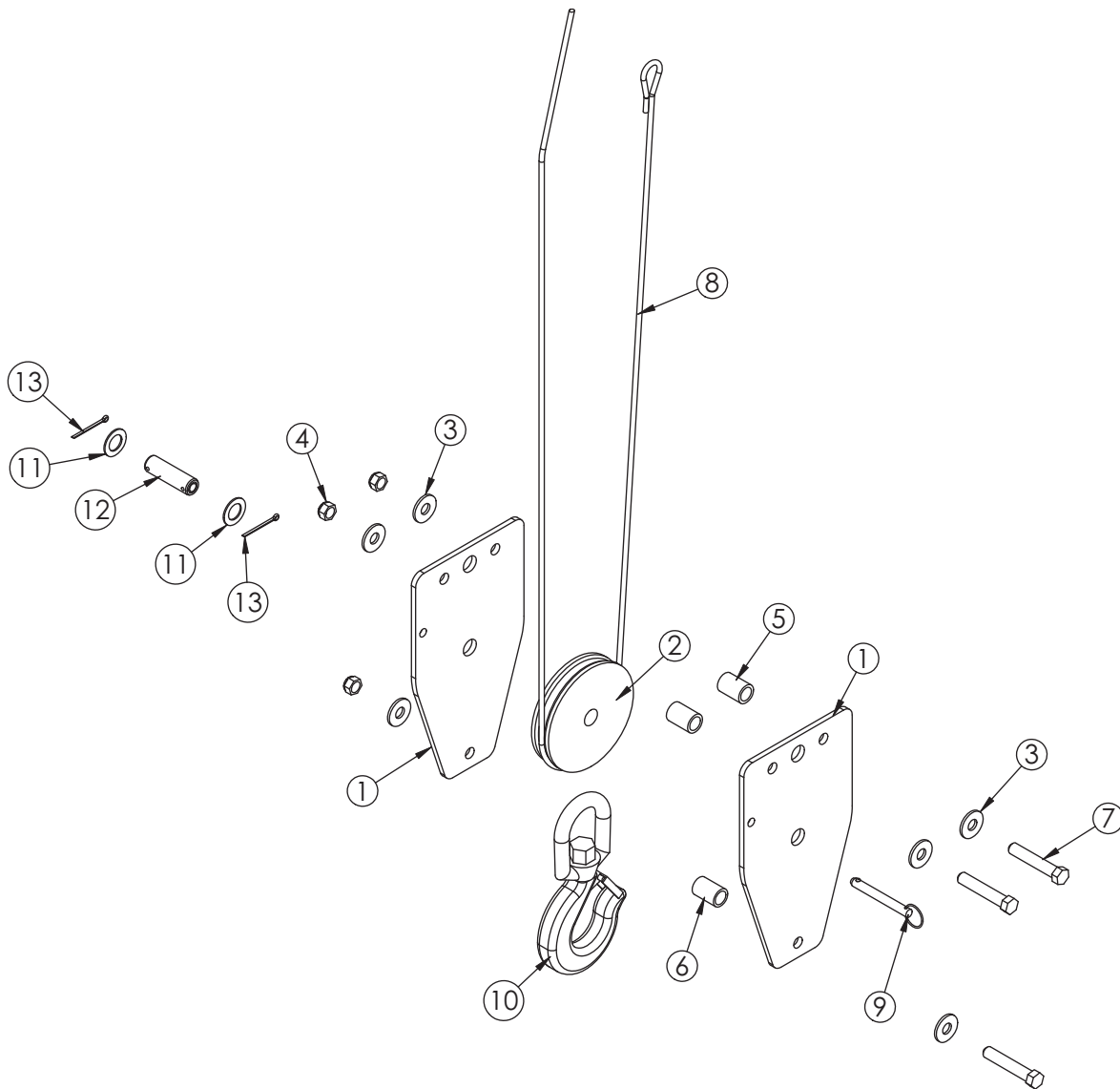
Extension Boom Assembly - PN 42520



PN 42520

| ITEM | PART | DESCRIPTION | QTY. |
|------|---------|-------------------------------------|------|
| 1 | 42311 | EXT BOOM 1ST EC3200 | 1 |
| 2 | 42507 | CYLINDER 1.50X48.00 | 1 |
| 3 | D0790 | WASHER 0.50 FLAT GR8 | 9 |
| 4 | 10172 | CAP SCR 0.50-13X1.00 HHGR8 ZY | 1 |
| 5 | 42509 | WEAR PAD 0.38X1.38X1.50 | 2 |
| 6 | 42312 | EXT BOOM 2ND EC3200 | 1 |
| 7 | 42978PC | FLAT BOOM STOP EC3200 | 1 |
| 8 | 42977 | PIN HITCH 0.63X4.00 | 2 |
| 9 | 42317 | SHEAVE EC3200 5.00 DIA .22R/1.00THK | 2 |
| 10 | 42524ZP | PIN 0.75X2.50 COTTER | 2 |
| 11 | 0423 | MACHY WASHER 0.75ID 10GA | 4 |
| 12 | 37824 | COTTER PIN .125X1.00 | 4 |
| 13 | 0507 | CAP SCR 0.50-13X4.50 HHGR5 | 2 |
| 14 | 27710 | SPRING ANTI 2 BLOCK SUMMIT | 2 |
| 15 | C6106 | NUT 0.50-13 HHGR5 NYLOC | 3 |
| 16 | 0352 | WASHER 0.50 USS FLAT ZINC | 2 |
| 17 | 35105 | SWITCH LIMIT E1117-B9111-6C | 1 |
| 18 | D0178 | WASHER #10 SAE FLAT ZINC | 2 |
| 19 | 0505 | CAP SCR 0.50-13X3.50 HHGR5 | 1 |
| 20 | D0561 | CAP SCR 0.25-20X0.50 BTNHD SS | 2 |
| 21 | 42505PC | PLATE CRADDLE EC3200 | 1 |
| 22 | 43846 | SCREW #10-24X0.38 SH SS | 2 |

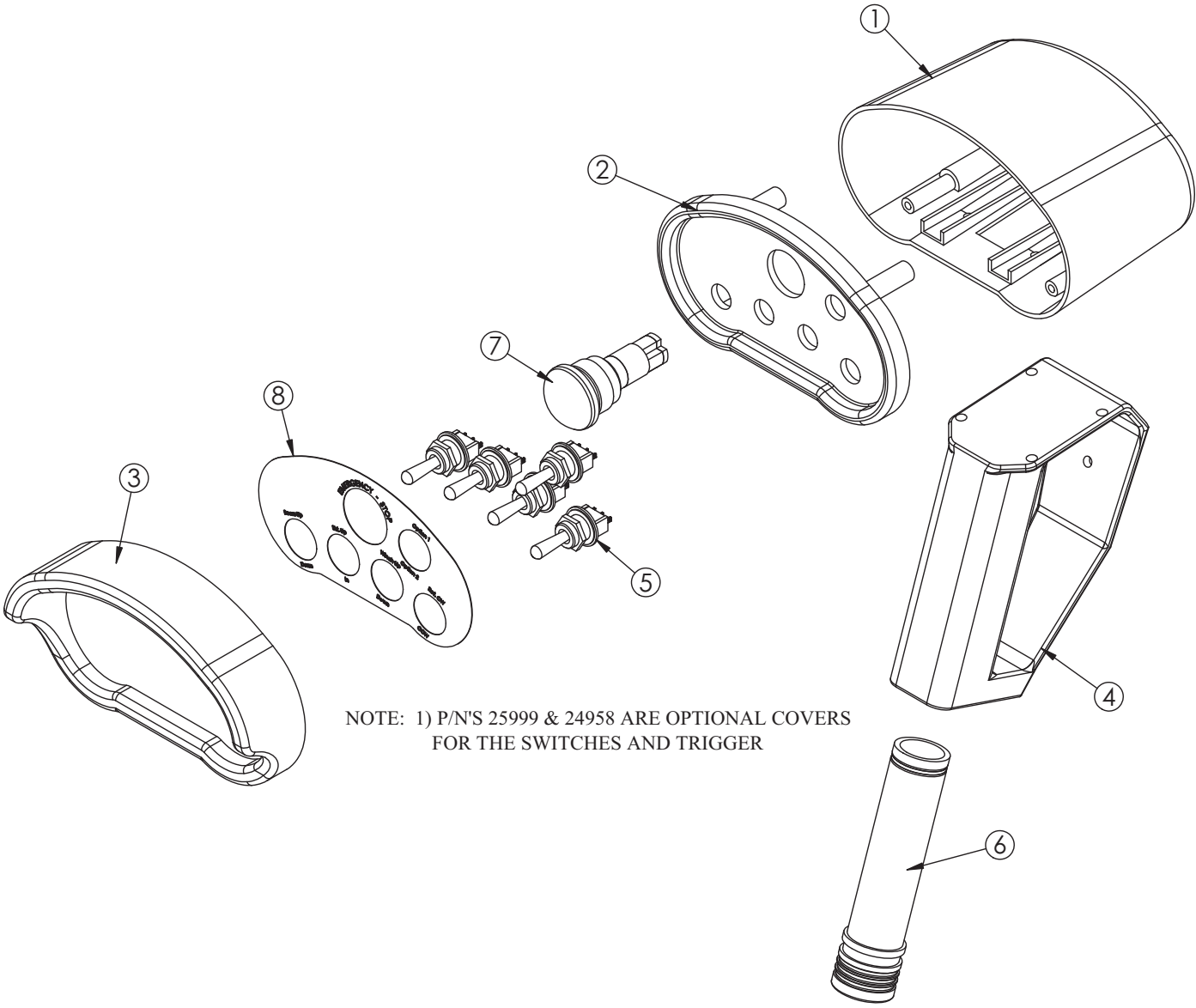
Cable & Hook Assembly - PN 42781



PN 42781

| ITEM | PART | DESCRIPTION | QTY. |
|------|---------|-------------------------------------|------|
| 1 | 42523PC | PLATE SNATCH BLOCK EC3200 | 2 |
| 2 | 42317 | SHEAVE EC3200 5.00 DIA .22R/1.00THK | 1 |
| 3 | 0352 | WASHER 0.50 USS FLAT ZINC | 6 |
| 4 | 5468 | NUT 0.50-13 HHGR8 NYLOC | 3 |
| 5 | 27810 | SPACER 3315 SNATCH BLOCK UHMW | 2 |
| 6 | 16607PC | SPACER 3315 SNATCH BLOCK | 1 |
| 7 | 47868 | CAP SCR 0.50-13X2.75 HHGR8 | 3 |
| 8 | 42316 | WIRE ROPE 7/32 7X19 GAC 65FT | 1 |
| 9 | 9263 | PIN .38X3.00 QUICK RELEASE | 1 |
| 10 | C6018 | HOOK CRANE-3 TON | 1 |
| 11 | 0375 | MACHY WASHER 0.75ID 14GA | 2 |
| 12 | 42524ZP | PIN 0.75X2.50 COTTER | 1 |
| 13 | 37824 | COTTER PIN .125X1.00 | 2 |

Radio Transmitter Assembly



NOTE: 1) P/N'S 25999 & 24958 ARE OPTIONAL COVERS FOR THE SWITCHES AND TRIGGER

| ITEM | PART | DESCRIPTION | QTY. |
|------|-------|---|------|
| 1 | 20088 | CONTROL HANDLE HOUSING 4 FCTN HET | 1 |
| 2 | 51830 | CONTROL HANDLE FACE PLT 5 FCTN | 1 |
| 3 | 24385 | GUARD RADIO SWITCH 4 FCTN | 1 |
| 4 | 50932 | CONTROL HANDLE GRIP LESS TRIGGER HET H2 | 1 |
| 5 | 22600 | SWITCH TOGGLE HET RADIO 63019300 | 5 |
| 6 | 35441 | BATTERY TUBE AA HETRONIC RADIO | 1 |
| 7 | 16975 | SWITCH E STOP ASM HETRONIC RADIO | 1 |
| 8 | 51831 | DECAL CONTROL HANDLE 5 FCTN | 1 |

This page intentionally left blank.

Chapter 4 - Replacement Parts

HYDRAULIC COMPONENTS

| PART# | DESCRIPTION |
|-------|---|
| 42840 | HYDRAULIC SWING MOTOR |
| 21151 | GASKET - HYDRAULIC SWING MOTOR |
| 42513 | POWER UNIT 12V EC3200 |
| 44028 | VALVE CARTRIDGE - POWER UNIT 12V #19012-D |
| 44027 | VALVE COIL - POWER UNIT 12V #11494-D |
| 44029 | MOTOR 12V - POWER UNIT #08111-1 |
| 44030 | 12V SOLENOID (12volt hydraulic system) #17757 |
| 44026 | HYDRAULIC RESERVOIR - POWER UNIT 12V #14071 |
| 44025 | FILL CAP - HYDRAULIC RESERVOIR |
| 9803 | C-BALANCE VALVE |
| 43892 | SEAL KIT - MAIN LIFT CYLINDER |
| 43893 | SEAL KIT - EXTENSION CYLINDER |
| 49315 | PRESSURE SWITCH |
| 42821 | CONTROLLER SOLENOID |
| C2027 | O'RING - # 4 FACE SEAL |
| C2028 | O'RING - # 6 FACE SEAL |
| D1245 | O'RING - # 4 SAE |
| D1246 | O'RING - # 6 SAE |

ASSEMBLY COMPONENTS

| | |
|---------|---------------------------------------|
| 44375 | WORM GEAR - ROTATION BEARING |
| 44383 | BEARING & SEAL KIT - ROTATION BEARING |
| 44376 | BEARING RETAINER - ROTATION BEARING |
| 44377 | ADAPTER HOUSING - HYDRAULIC MOTOR |
| 20362 | BUSHING 1.00" X 0.50" |
| 0069 | BUSHING 1.00" X 1.00" |
| 42508 | WEAR PAD 0.38" X 1.50" X 2.00" |
| 42509 | WEAR PAD 0.38" X 1.38" X 1.50" |
| 42978 | BOOM STOP FLAT |
| 9320 | PIN CAP 0.44" X 1.75" X 0.25" SS |
| C6353 | WASHER 0.38 FLAT GR8 |
| 13573 | CAP SCR. 0.38-16 X 1.00" GR8 |
| 0375 | MACHINE WASHER -0.75" ID 14GA. |
| 0423 | MACHINE WASHER -0.75" ID 10GA. |
| 42317 | SHEAVE |
| 42316 | WIRE ROPE |
| 42977 | HITCH PIN 0.63" X 4.00" |
| 9263 | QUICK RELEASE PIN .38 X 3.00" |
| 42505PC | CRADLE PLATE |
| 27710 | SPRING ANTI-2-BLOCK |
| C6018 | HOOK 3-TON |
| 10709 | SAFETY LATCH FOR 3 TON HOOK |
| C1592 | GREASE ZERK |

ELECTRICAL COMPONENTS

| | |
|-------|---------------------------------------|
| 35105 | LIMIT SWITCH |
| 11544 | CORD REEL |
| 17771 | PUSH BUTTON (12volt hydraulic system) |
| 47410 | MOMENTARY SWITCH |
| 41641 | WINCH |
| 28978 | BOSCH RELAY |
| 36436 | FUSE 250 AMP |

RADIO REMOTE COMPONENTS

| | |
|-------|---------------------------|
| 42976 | RADIO REMOTE SYSTEM |
| 50932 | HANDLE ASM |
| 16975 | E-STOP SWITCH |
| 22600 | TOGGLE SWITCH |
| 20088 | LOWER TRANSMITTER HOUSING |
| 35441 | BATTERY TUBE HOLDER |
| 35916 | BACK UP CORD |



Limited Warranty Statement

Stellar Industries, Inc. (Stellar) warrants products designed and manufactured by Stellar to be free from defects in material and workmanship under proper use and maintenance. Products must be installed and operated in accordance with Stellar's written instructions and capacities. This warranty shall cover the following:

Stellar Cranes, Stellar Hooklift Hoists, Stellar Cable Hoists, Stellar Container Carriers, Stellar Service Trucks, and Stellar X-Tra-Lift Systems:

Twelve (12) month warranty on parts from the date recorded by Stellar as the in-service date, not to extend beyond twenty-four (24) months from date of manufacture.

Twelve (12) month repair labor from the date recorded by Stellar as the in-service date, not to extend beyond twenty-four (24) month from date of manufacture, and

Thirty-six (36) month warranty on all Stellar Manufactured structural parts from the date recorded by Stellar as the in-service date, not to extend beyond forty-eight (48) months from date of manufacture.

Stellar Tarper Systems:

Twelve (12) month warranty on parts from the date recorded by Stellar as the in-service date, not to extend beyond twenty-four (24) months from date of manufacture and

Three (3) month repair labor from the date recorded by Stellar as the in-service date, not to extend beyond fifteen (15) month from date of manufacture.

The in-service date will be derived from the completed warranty registration card. In the event a warranty registration card is not received by Stellar, the factory ship date will be used.

Stellar's obligation under this warranty is limited to, and the sole remedy for any such defect shall be, the repair and/or replacement (at Stellar's option) of the unaltered part and/or component in question. Stellar after-sales service personnel must be notified by telephone, fax, or letter of any warranty-applicable damage within fourteen (14) days of its occurrence. If at all possible, Stellar will ship the replacement part within 24-hours of notification by the most economical, yet expedient, means possible. Expedited freight delivery will be at the expense of the owner.

Warranty claims must be submitted and shall be processed in accordance with Stellar's established warranty claim procedure. Stellar after-sales service personnel must be contacted prior to any warranty claim. A return materials authorization (RMA) account number must be issued to the claiming party prior to the return of any warranty parts. Parts returned without prior authorization will not be recognized for warranty consideration. All damaged parts must be returned to Stellar freight prepaid; freight collect returns will be refused. Freight reimbursement of returned parts will be considered as part of the warranty claim.

Warranty service will be performed by any Stellar new equipment distributor, or by any Stellar-recognized service center authorized to service the type of product involved, or by the Stellar factory in the event of a direct sale. At the time of requesting warranty service, the owner must present evidence of date of delivery of the product. The owner shall be obligated to pay for any overtime labor requested of the servicing company by the owner, any field service call charges, and any towing and/or transportation charges associated with moving the equipment to the designated repair/service provider.

All obligations of Stellar and its authorized dealers and service providers shall be voided if someone other than an authorized Stellar dealer provides other than routine maintenance service without prior written approval from Stellar. In the case repair work is performed on a Stellar-manufactured product, original Stellar parts must be used to keep the warranty in force. The warranty may also be voided if the product is modified or altered in any way not approved, in writing, by Stellar.

The owner/operator is responsible for furnishing proof of the date of original purchase of the Stellar product in question. Warranty registration is the ultimate responsibility of the owner and may be accomplished by the completion and return of the Stellar product registration card provided with the product. If the owner is not sure of registration, he is encouraged to contact Stellar at the address below to confirm registration of the product in question. This warranty covers only defective material and workmanship. It does not cover depreciation or damage caused by normal wear and tear, accident, mishap, untrained operators, or improper or unintended use. The owner has the obligation of performing routine care and maintenance duties as stated in Stellar's written instructions, recommendations, and specifications. Any damage resulting from owner/operator failure to perform such duties shall void the coverage of this warranty. The owner will pay the cost of labor and supplies associated with routine maintenance.

The only remedies the owner has in connection with the breach or performance of any warranty on the Stellar product specified are those set above. In no event will Stellar, the Stellar distributor/dealer, or any company affiliated with Stellar be liable for business interruptions, costs of delay, or for any special, indirect, incidental, or consequential costs or damages. Such costs may include, but are not limited to, loss of time, loss of revenue, loss of use, wages, salaries, commissions, lodging, meals, towing, hydraulic fluid, or any other incidental cost.

All products purchased by Stellar from outside vendors shall be covered by the warranty offered by that respective manufacturer only. Stellar does not participate in, or obligate itself to, any such warranty.

Stellar reserves the right to make changes in design or improvement upon its products without imposing upon itself the same upon its products theretofore manufactured.

This warranty will apply to all Stellar Cranes, Stellar Hooklift Hoists, Stellar Cable Hoists, Stellar Container Carriers, Stellar Service Trucks, Stellar X-Tra-Lift Systems, and Stellar Tarper Systems shipped from Stellar's factory after January 1st, 2010. The warranty is for the use of the original owner only and is not transferable without prior written permission from Stellar.

THIS WARRANTY IS EXPRESSLY IN LIEU OF ANY OTHER WARRANTIES, EXPRESS OR IMPLIED, INCLUDING ANY WARRANTY OF MERCHANTABILITY OR FITNESS FOR A PARTICULAR PURPOSE. REMEDIES UNDER THIS WARRANTY ARE LIMITED TO THE PROVISION OF MATERIAL AND SERVICES, AS SPECIFIED HEREIN. STELLAR INDUSTRIES, INC. IS NOT RESPONSIBLE FOR INCIDENTAL OR CONSEQUENTIAL DAMAGES.

Revision Date: February 2010

Document Number: 37040