

STIGA PARK 4WD

92 M

107 M

107 M HD

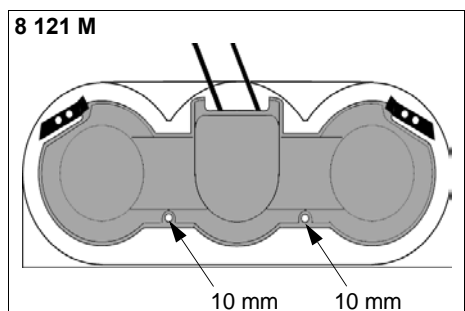
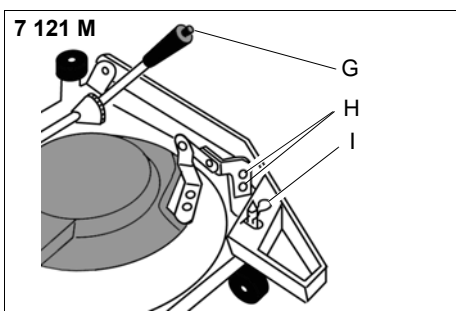
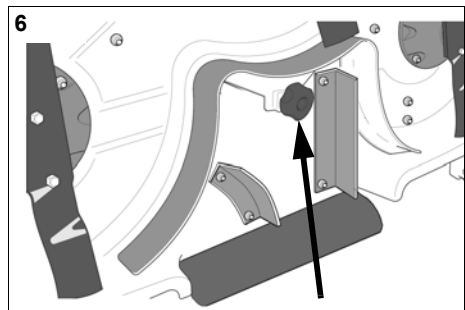
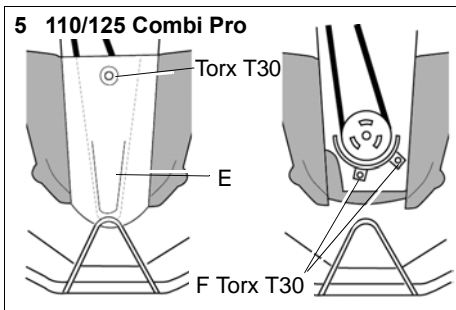
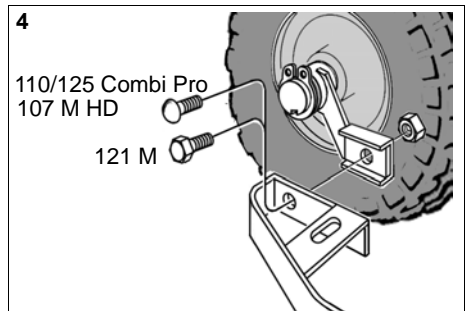
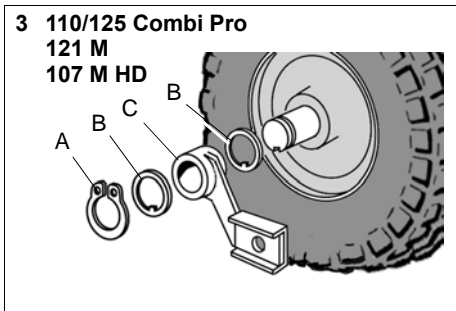
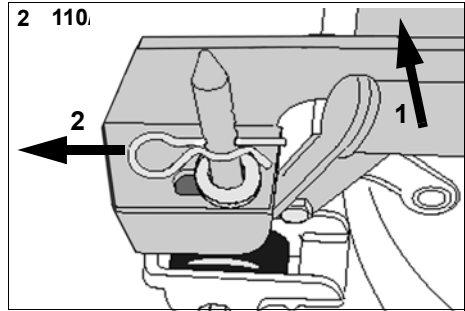
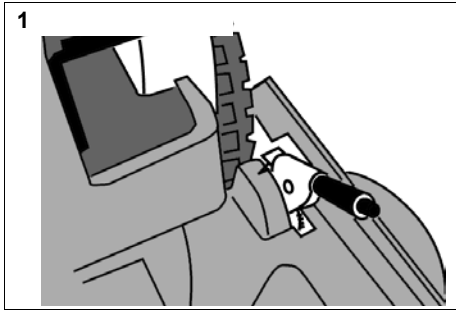
121 M

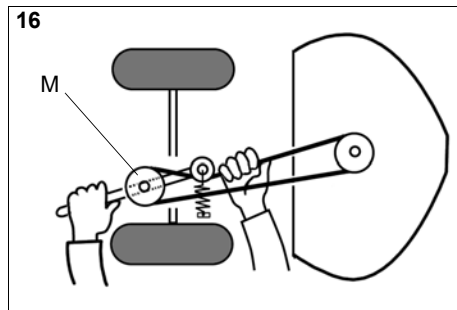
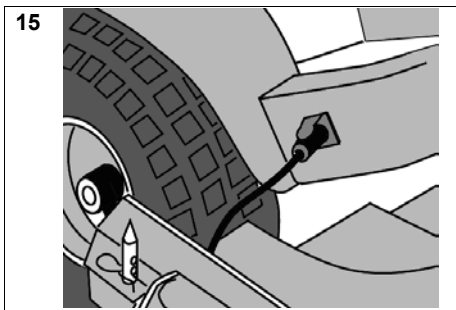
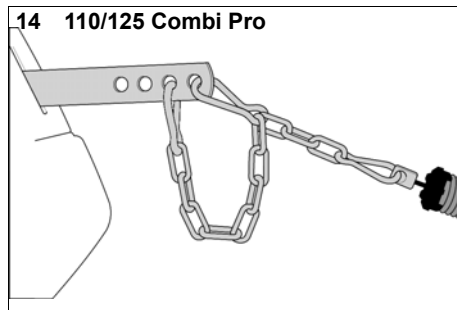
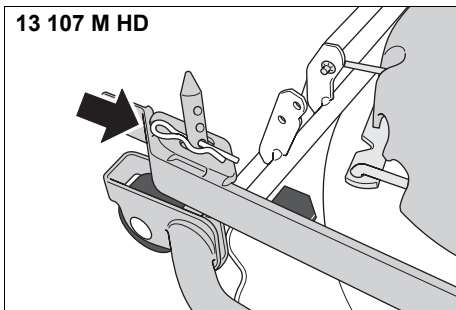
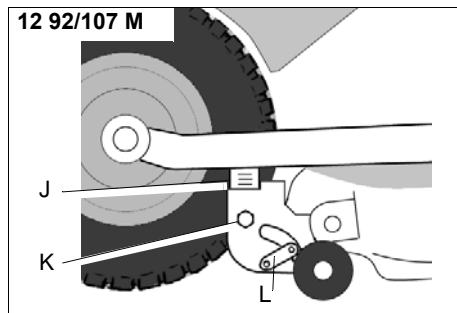
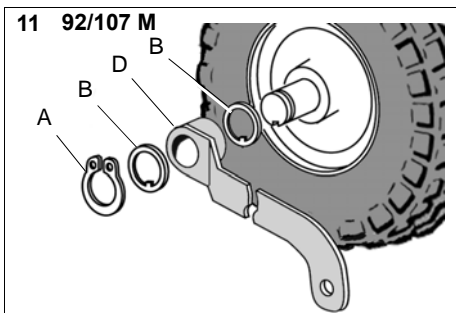
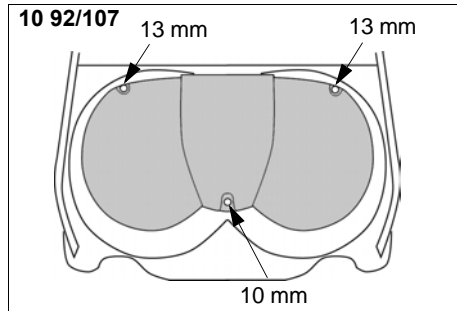
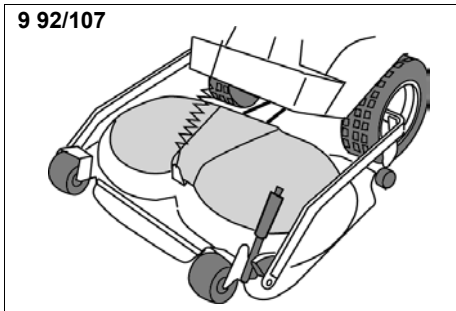
110 Combi Pro

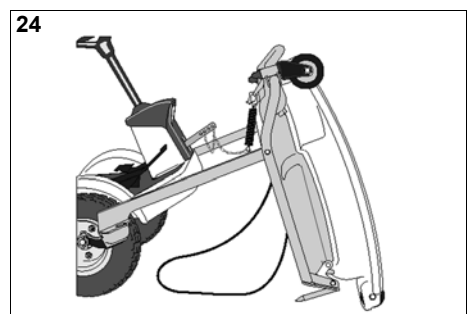
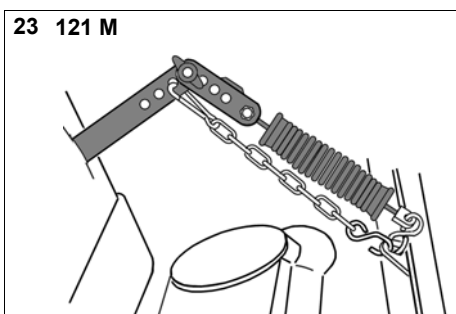
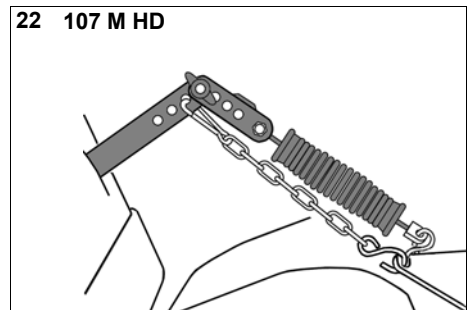
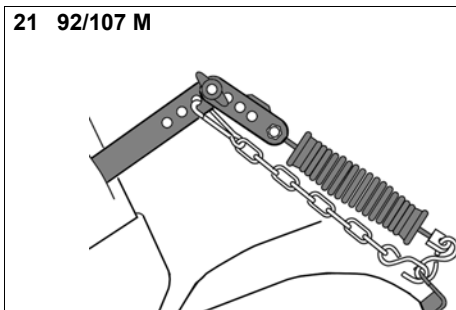
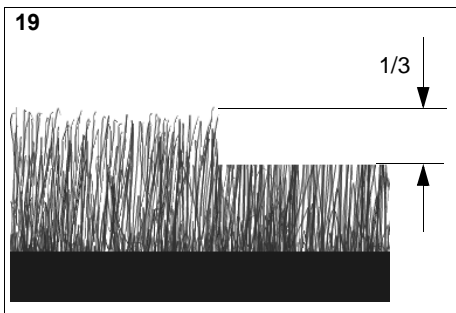
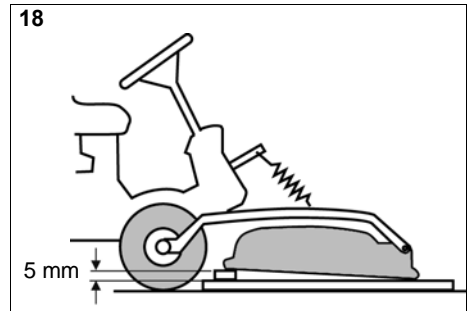
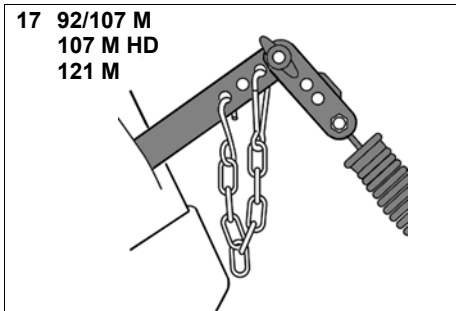
125 Combi Pro

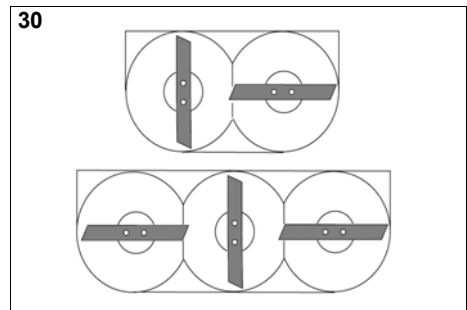
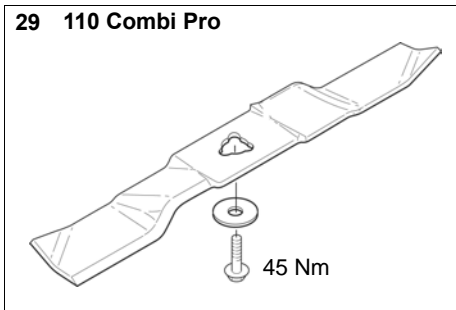
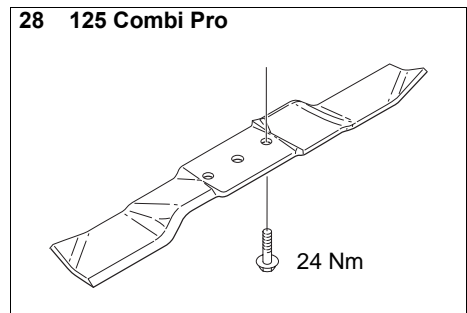
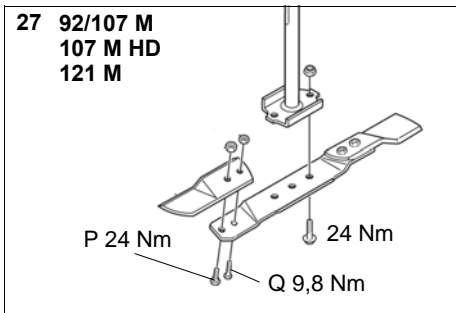
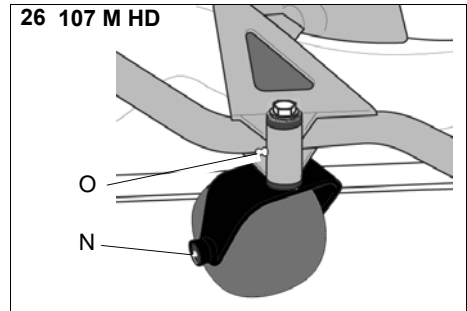
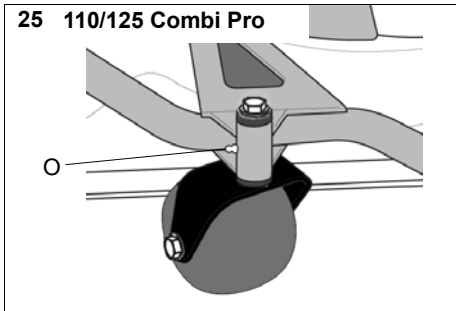
STIGA[®]

8211-0543-03









1 GENERAL



This symbol indicates **WARNING**. Serious personal injury and/or damage to property may result if the instructions are not followed carefully.



You must read these instructions for use and the machine's safety instructions carefully.

1.1 Symbols

The following symbols appear on the machine. They are there to remind you of the care and attention required in use.

This is what the symbols mean:



Warning!
Read the instruction manual and the safety manual before using the machine.



Warning!
Do not insert your hands or feet under the cover when the machine is in operation.



Warning!
Watch out for discarded objects. Keep on-lookers away.



Warning!
Before starting repair work, remove the spark plug cable from the spark plug.

1.2 References

1.2.1 Figures

The figures in these instructions for use are numbered 1, 2, 3, etc.

Components shown in the figures are marked A, B, C, etc.

A reference to component E in figure 5 is written "5:E".

1.2.2 Headings

The headings in these instructions for use are numbered in accordance with the following example: "2.3.2" is a subheading to "2.3" and is included under this heading.

When referring to headings, only the number of the heading is normally specified. E.g. "See 2.3.2".

2 DESCRIPTION

2.1 General

The cutting deck is intended for use on Stiga's 4-wheel drive Park machines.

The cutting deck is supplied in one of the following versions:

- With manual adjustment of cutting height.
- With electrical adjustment of cutting height.

2.2 Controls, 110/125 Combi Pro

2.2.1 Cutting height adjustment

The cutting height can be adjusted between 25 and 90 mm.

Electrical cutting height adjustment

The setting can be adjusted infinitely variably using a switch on the machine.

Manual cutting height adjustment

The setting can be adjusted to a number of fixed positions using the lever. See fig. 1.

2.2.2 Incline forwards

The rear section of the cutting deck can be raised 12 mm by moving the two pins down one hole from the basic setting. See fig. 2.

2.2.3 Rear mounting

The cutting deck's rear section is secured with the pins in fig. 2.

2.2.4 Mounting in implement lifter

The deck is mounted in the implement lifter with a chain and snap hooks.

One snap hook is intended for the working position and can be moved in the chain links to set the lifting force.

The other snap hook is intended for the washing position.

2.3 Controls, 107 M HD

2.3.1 Cutting height adjustment

The cutting height can be adjusted between 30 and 85 mm.

Electrical cutting height adjustment

The setting can be adjusted infinitely variably using a switch on the machine.

Manual cutting height adjustment

The setting can be adjusted to a number of fixed positions using the lever. See fig. 9.

2.3.2 Incline forwards

The rear section of the cutting deck can be raised 12 mm by moving the two pins down one hole from the basic setting. See fig. 13.

2.3.3 Rear mounting

The cutting deck's rear section is secured with the pins in fig. 13.

2.4 Controls, 92/107 M

2.4.1 Cutting height adjustment

The cutting height can be adjusted between 30 and 85 mm.

The setting can be adjusted to a number of fixed positions using the lever. See fig. 9.

2.4.2 Incline forwards

The cutting deck's rear section can be raised infinitely variably.

Each line (12:J) corresponds to a raise of 5 mm.

The setting is locked with the screws (12:K).

2.4.3 Rear mounting

The cutting deck's rear section is secured with the catches (12:L).

2.4.4 Mounting in implement lifter

The deck is mounted in the implement lifter with a chain and snap hooks.

One snap hook is intended for the working position and can be moved in the chain links to set the lifting force.

The other snap hook is intended for the washing position.

2.5 Controls, 121 M

2.5.1 Cutting height adjustment

The cutting height can be adjusted between 30 and 85 mm.

Electric cutting height adjustment

The setting can be adjusted infinitely variably using a switch on the machine.

Manual cutting height adjustment

The setting can be adjusted to a number of fixed positions using the lever (7:G).

2.5.2 Incline forwards

The cutting deck's rear section can be raised infinitely variably.

The setting is locked with the screws (7:H).

2.5.3 Rear mounting

The cutting deck's rear section is secured with the pins (7:I).

3 ASSEMBLY

3.1 Installing the 110/125 Combi Pro

1. Place the cutting deck in position in front of the machine.
2. Install the following components on both wheel axles:
 - Washer (3:B).
 - Deck mount (3:C).
 - Washer (3:B).
 - Circlip (3:A).
3. Remove the pins and the washers on both sides. See fig. 2.
4. Screw the arms into each other. See fig. 4.
5. Suspend the cutting deck in the implement lifter. See fig. 14.
6. If the deck has electrical cutting height adjustment, connect the cable to the machine's front right socket. See fig. 15.

3.1.1 Belt, 110/125 Combi Pro

The cutting deck's rear section should rest on the floor (it should not be lifted or secured).

Install the belt as follows:

1. Set the maximum cutting height.
2. Remove the belt cover (5:E). The number in the figure indicates the key width.
3. Remove the belt guide (5:F).
4. Locate the belt around the machine's belt pulley (16:M).
5. Force the belt onto the cutting deck's belt pulley.
6. Grip the belt tensioner's lever with your left hand. Pull the lever and apply the tensioner to the outside of the belt with your right hand. See fig. 16.
7. Install the belt guide and belt cover. See fig. 5.
8. Lift up and secure the rear section of the cutting deck.

On machines with 17" wheels: Install the washers and the pins in the top hole. See fig. 2.

On machines with 16" wheels: Install the washers and the pins in the middle hole. See fig. 2.

3.2 Installation of 107 M HD, 121 M

1. Place the cutting deck in position in front of the machine.
2. Install the following components on both wheel axles:
 - Washer (3:B).
 - Deck mount (3:C).
 - Washer (3:B).
 - Circlip (3:A).
3. Remove the pins on both sides. See fig. 7:I and fig. 13.
4. Screw the arms into each other. See fig. 4.
5. Suspend the cutting deck in the implement lifter. See fig. 17.
6. If the deck has electrical cutting height adjustment, connect the cable to the machine's front right socket. See fig. 15.

3.2.1 Belt, 107 M HD, 121 M

The cutting deck's rear section should rest on the floor (it should not be lifted or secured).

Install the belt as follows:

1. Set the cutting height in the centre position
2. Remove the belt cover. See fig. 8 and 10. The number in the figure indicates the key width.
3. Locate the belt around the machine's belt pulley (16:M).
4. Force the belt onto the cutting deck's belt pulley.
5. Grip the belt tensioner's lever with your left hand. Pull the lever and apply the tensioner to the outside of the belt with your right hand. See fig. 16.
6. Fit the belt cover. See fig. 8 and 10.
7. Lift up and secure the rear section of the cutting deck.

107 M HD on machines with 17" wheels: Install the pins in the third hole from the top. See fig. 13.

107 M HD on machines with 16" wheels: Install the pins in the fourth hole from the top. See fig. 13.

121 M: Lift up and install the pins (7:I).

3.3 Installing 92/107 M

1. Place the cutting deck in position in front of the machine.
2. Install the following components on both wheel axles:
 - Washer (11:B).
 - Deck arm (11:D).
 - Washer (11:B).
 - Circlip (11:A).
3. Install the deck arms in the cutting deck's front corners. After tightening, it should be possible to move the rear section of the cutting deck freely up and down.
4. Suspend the cutting deck in the implement lifter. See fig. 17.

3.3.1 Belt, 92/107 M

The cutting deck's rear section should rest on the floor (it should not be lifted or secured).

Install the belt as follows:

1. Set the maximum cutting height.
2. Remove the belt cover. See fig. 10. The number in the figure indicates the key width.
3. Locate the belt around the machine's belt pulley (16:M).
4. Force the belt onto the cutting deck's belt pulley.
5. Grip the belt tensioner's lever with your left hand. Pull the lever and apply the tensioner to the outside of the belt with your right hand. See fig. 16.
6. Fit the belt cover. See fig. 10.
7. Lift up the cutting deck so that it locks in the catches (12:L).

3.4 Tyre pressure

Adjust the air pressure in the tyres as follows:

Front: 0.6 bar (9 psi).

Rear: 0.4 bar (6 psi).

3.5 Basic setting

In order for the cutting deck to cut optimally, the correct basic setting is required. The deck is in the basic setting when its rear edge is 5 mm above its front edge. This means that the deck is inclined forwards.

Carry out basic setting as described below.

3.5.1 Basic setting, 110/125 Combi Pro, 107 M HD

The deck is in the basic setting when the actions under 3.1.1 and 3.2.1 have been carried out.

3.5.2 Basic setting, 92/107 M, 121 M

See fig. 17 and perform basic setting of 92/107 M and 121 M as follows:

1. Place the machine on a level floor.
Requirements for floor flatness: ± 1 mm/m. No slope towards a floor drain or similar may occur in front of or behind the machine.
2. The tyres must have the correct air pressure.
See 3.4.
3. Place the deck in transport position and lay a plane-parallel plank under the deck.
4. Place a 5 mm tall spacer on the plank under the rear edge of the cutting deck, and lower the deck to the working position.
5. Undo the screws (7:H and 12:K) so that the deck rests against the plank and the spacer.
Check that the deck does not lean sideways in relation to the machine.
6. Tighten the screws (7:H and 12:K) to 22 Nm.
7. Place the deck in transport position and remove the plank.

4 USING THE MACHINE



Check that the grass that is to be cut is completely free of foreign objects such as stones etc.

4.1 Cutting height

The best cutting results are achieved when the when the top third of the grass is cut off. I.e. 2/3 of the length of the grass remains. See fig. 19.

If the grass is long and has to be cut significantly, cut twice using different cutting heights.

Do not use the lowest cutting heights if the lawn surface is uneven. This would entail a risk of the blades being damaged against the surface and the lawn's top layer of soil being removed.

4.2 Incline

The cutting deck's rear section can be lifted so that the deck has a greater forward incline than that provided by the basic setting. This incline affects the cutting results as follows.

4.2.1 No incline

When the deck is in the basic setting, the best mulching effect and good dispersion of the cut grass are achieved. The basic setting is recommended for normal grass.

4.2.2 Incline

When the cutting deck is inclined forwards, the "Multiclip" effect is reduced while the cut grass is dispersed better.

Inclining forwards is recommended for thicker grass.

4.3 Mowing advice

In order to achieve optimum mowing results, follow the advice below:

- Cut frequently.
- Run the engine at full throttle.
- The grass should be dry.
- Use sharp blades.
- Keep the underside of the cutting deck clean.

4.4 110/125 Combi Pro

110/125 Combi Pro can cut the grass in the following two ways:

- Multiclip: composting and spreading.
- Rear ejection: ejects the grass in a line behind the deck.

The deck is set for mulching on delivery. In order to eject the grass in a line behind the deck, the plug in fig. 6 must be removed.

Set the deck in washing position (see 5.2) in order to remove/install the plug.

5 MAINTENANCE

5.1 Preparation

All service and all maintenance must be carried out on a stationary machine with the engine switched off.



Prevent the machine from rolling by always applying the parking brake.



Stop the engine.



Prevent unintentional starting of the engine by disconnecting the spark plug cable from the spark plug and removing the ignition key.

5.2 Washing position

1. Activate the parking brake.
2. Set the implement lifter in transport position.
3. Set the highest cutting height.
4. 110/125 Combi Pro, 107 M HD, 121 M:
Disconnect the rear section of the cutting deck by removing pins and any washers. See fig. 2, 7:I and 13.
92/107 M: Lift up the rear section of the cutting deck, undo the catches (12:L) and lower.
5. Grip the front edge of the deck and lift up. Hook on the chain so that the deck is pointing diagonally upwards. See fig. 20-23.



It is absolutely forbidden to start the engine when the deck is in the washing position.

- Reset 110/125 Combi Pro in accordance with 3.1.1, point 8.
Reset 107 M HD in accordance with 3.2.1, point 7.
Reset 121 M in accordance with 3.2.1, point 7.
Reset 92/107 M in accordance with 3.3.1, point 7.

5.3 Service position

1. Activate the parking brake.
2. Set the implement lifter in transport position.
3. 110/125 Combi Pro, 92/107 M:
Set the highest cutting height.
107 M HD, 121 M: Set the cutting height in the centre position.
4. If the deck has electrical cutting height adjustment, disconnect the cable from the machine. See fig. 15.
5. 110/125 Combi Pro:
Remove pins and washers. See fig. 2.
107 M HD:
Remove pins and washers. See fig. 13.

92/107 M: Lift up the rear section of the cutting deck, undo the catches (12:L) and lower.

121 M: Disconnect the rear section of the cutting deck by removing the pins (7:I).

6. Remove the belt cover. See fig. 5:E, 8 and 10. The number in the figure indicates the key width.
 7. Only 110/125 Combi Pro:
Remove the belt guide (5:F).
 8. Grip the belt tensioner's lever with your left hand. Pull the lever and unhook the tensioner from the belt with your right hand. See fig. 16.
 9. Force the belt off the deck's pulley.
 10. Grip the front edge of the deck and lift up. Lift until the deck is completely vertical and rest the rear edge on the floor. See fig. 24.
- Reset 110/125 Combi Pro in accordance with 3.1.
Reset 107 M HD in accordance with 3.2.
Reset 92/107 M in accordance with 3.3.
Reset 121 M in accordance with 3.2.

5.4 Cleaning

The underside of the deck must be cleaned after each use.

Set the deck in washing position.

Clean the underside of the deck carefully. Use a high-pressure washer, scraper and/or brush.

When the surfaces are completely dry and clean, touch up the paintwork. Use durable yellow paint intended for metal outdoors.

5.5 Wheels

110/125 Combi Pro is fitted with two lubricating cups (25:O) for the vertical shafts.

107 M HD is fitted with two lubricating cups for the vertical shafts (26:O) and two lubricating cups (26:N) for the wheel axles.

The grease nipples must be lubricated with universal grease after 50 hours of operation.

5.6 Replacing blades



Wear protective gloves when changing blade(s) to avoid cutting yourself.

Check that the blades are always sharp. This produces the best cutting results.

Always check the blade(s) after a collision. If the blade system has been damaged, defective parts should be replaced.



Always use genuine spare parts. Non-genuine spare parts can entail a risk of injury, even if they fit the machine.

The deck is equipped with blades according to the following alternatives:

- Separate blades, screwed into place on the blade bars. See fig. 27.
- Full blade. See fig. 28-29.

5.6.1 Separate blades

The blades are replaceable. When replacing, both blades on the same blade bar must be replaced to avoid imbalance.

Tightening torque:

Screws (27:P) - 24 Nm

Shear bolts (27:Q) - 9.8 Nm

In the event of a collision, the shear bolts (27:Q) can break and the blades bend back. If this has happened, install genuine shear bolts and tighten as above.

5.6.2 Full blade, fig. 28-29

The full blade is replaced when the edges are worn. Install the new blade with the punched text facing down.

Tightening torque:

110 Combi Pro	24 Nm
125 Combi Pro	45 Nm

5.7 Synchronising blades

The following decks have synchronised blades:

- 92/107 M
- 107 M HD
- 121 M

If one of the blades has struck a solid object (e.g. a stone), the positive drive belt may mesh incorrectly, endangering the synchronisation. This entails a risk of the blades colliding with each other.

Correctly synchronised blades must be offset 90° from each other. See fig. 30.

Always check synchronisation after a collision.

If there is any suspicion of incorrect synchronisation, contact an authorised Stiga workshop for repair work to be carried out.

The blades in the 110/125 Combi Pro are freely rotating.

5.8 Wear protection

There are two wear protection devices on the underside of the cutting deck to protect it. These can be replaced if necessary.

6 SPARE PARTS

STIGA genuine spare parts and accessories are designed specifically for STIGA machines. Please note that 'non-genuine' spare parts and accessories have not been checked or approved by STIGA:



The use of such parts and accessories can affect the function and safety of the machine. STIGA accepts no responsibility for damage or injuries caused by such products.

7 DESIGN REGISTRATION

This product or parts thereof is covered by the following design registration:

Sweden: 66 166

Germany: 499 11 740.9

France: 577 251-253, 577 439-443

USA: 435 564

GGP reserves the right to make alterations to the product without prior notification.



www.stiga.com

GGP Sweden AB · Box 1006 · SE-573 28 TRANÅS