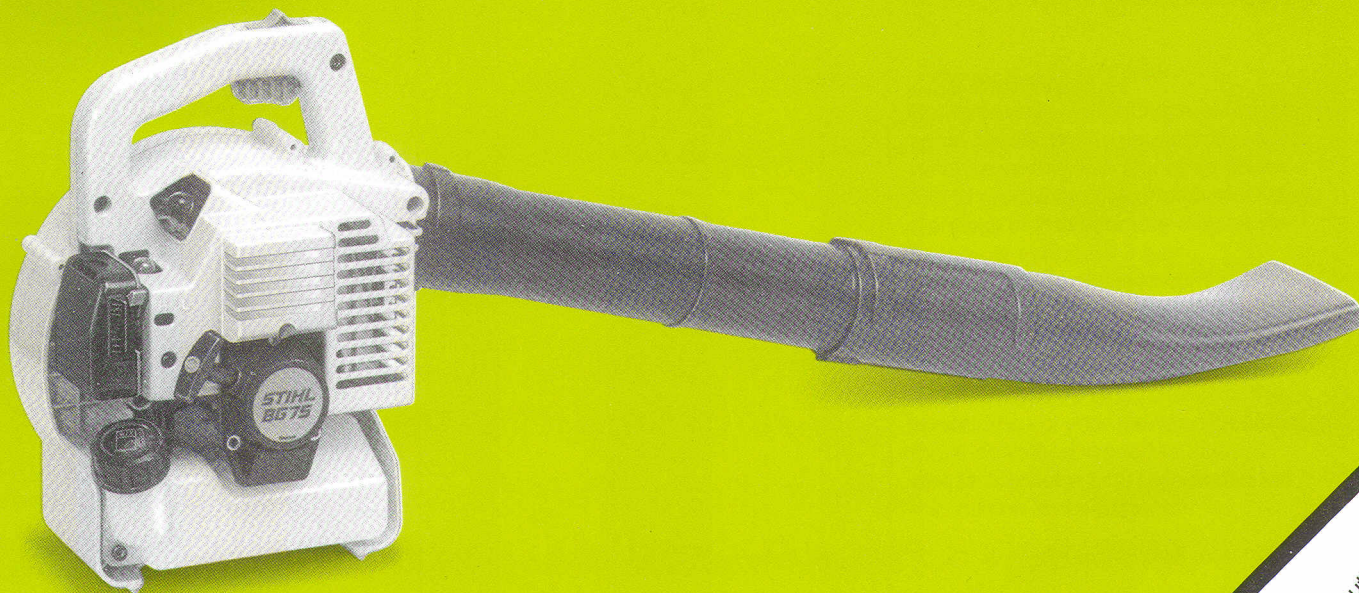


STIHL BG 75

**Instruction Manual
Owner's Manual**

**Assembling
Safety Precautions
Operating Instructions
Maintenance**



Warning:
Always follow safety precautions in
Owner's Manual – improper use
can cause serious injury!

Contents

Parts and Controls	2	Operating Instructions	21
Definitions	3	Maintenance Chart	22
Safety Precautions	4	Specifications	23
Assembling the Blower	10	Special Accessories	23
Fuel Mix	11	Storing the Machine	23
Fueling	11	STIHL Incorporated Federal and California Emission Control	
Starting	12	Warranty Statement	24
Using the blower	14		
Cleaning the Air Filter	16		
Adjusting the Carburetor	16		
Motormanagement	16		
Spark Arresting Screen in Muffler	17		
Checking the Spark Plug	18		
Replacing the Starter Rope and Rewind Spring	19		

This Manual contains operating and safety instructions for all STIHL BG 75 blowers. Pay special attention to the safety precautions outlined on pages 4 to 9. Allow only persons who understand this Manual to operate your blower. To receive maximum performance and satisfaction from your STIHL blower, it is important that you read and understand the maintenance and safety precautions before using your blower. Contact your STIHL dealer or the STIHL distributor for your area if you do not understand any of the instructions in this Manual.



Warning!

Because a blower is a high-speed tool, some special safety precautions must be observed as with any other power tool to reduce the risk of personal injury. Careless or improper use may cause serious or even fatal injury. STIHL's philosophy is to continually improve all of its products. As a result, engineering changes and improvements are made from time-to-time. If the operating characteristics or the appearance of your blower differ from those described in this Manual, please contact your STIHL dealer for information and assistance.

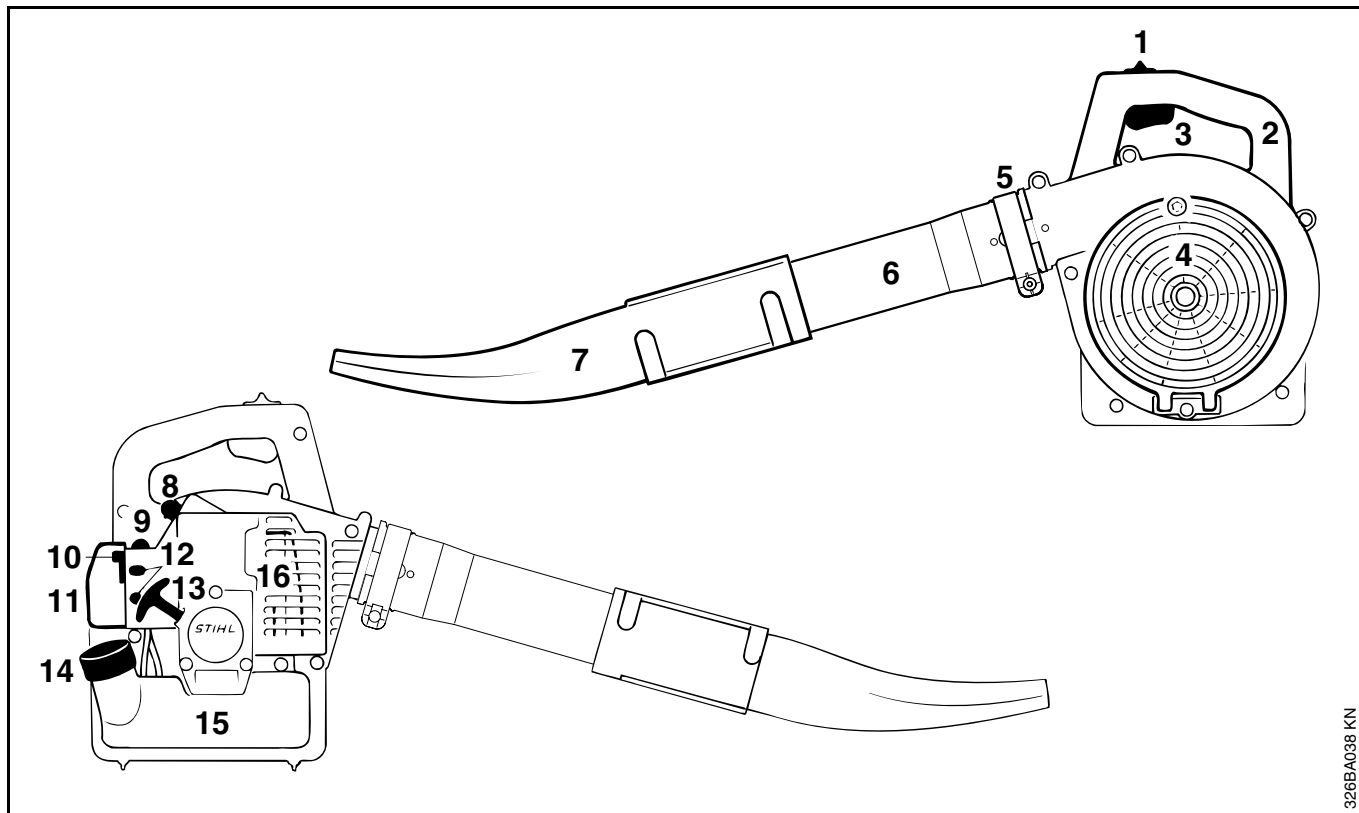
STIHL®

Printed on chlorine-free paper

Printing inks contain vegetable oils,
paper is recyclable

© 1999 Andreas Stihl AG & Co., Waiblingen
0458 326 3021. M10. E9. T. Printed in Germany

Parts and Controls



326BA038 KN

- | | |
|----------------------|----------------------------------|
| 1 = Slide control | 10 = Choke lever |
| 2 = Handle | 11 = Filter housing |
| 3 = Throttle trigger | 12 = Carburetor adjusting screws |
| 4 = Intake screen | 13 = Starter grip |
| 5 = Clamp | 14 = Fuel filler cap |
| 6 = Blower tube | 15 = Fuel tank |
| 7 = Nozzle | 16 = Muffler |
| 8 = Spark plug boot | |
| 9 = Fuel pump | |

Definitions

- 1. Slide Control.**
Start, run and stop switch.
- 2. Handle.**
The handle of the blower held by the right hand.
- 3. Throttle Trigger.**
Controls the speed of the engine.
- 4. Intake Screen.**
Reduces the risk of direct contact with the fan.
- 5. Clamp.**
Secures blower tube to machine.
- 6. Blower Tube.**
Directs airstream.
- 7. Nozzle.**
Aims and widens the airstream
- 8. Spark Plug Boot.**
Connects the spark plug to the ignition wire.
- 9. Fuel Pump.**
Provides additional fuel feed for a cold start.
- 10. Choke Lever.**
Eases engine starting by enriching mixture.
- 11. Filter Housing.**
Covers the air filter element.
- 12. Carburetor Adjusting Screws.**
For tuning carburetor
- 13. Starter Grip.**
The grip of the pull starter, which is the device to start the engine.
- 14. Fuel Filler Cap.**
For closing the fuel tank.
- 15. Fuel Tank.**
For fuel and oil mixture.
- 16. Muffler.**
Attenuates exhaust noises and diverts exhaust gases away from operator.

Safety Precautions



Warning!
The use of any blower may be dangerous. It is important that you read, fully understand and

observe the following safety precautions.



Warning!



Reread the owner's manual and the safety instructions periodically.



Warning!

Careless or improper use of the machine may cause serious injury. Have your STIHL Dealer show you how to operate your blower. Observe all applicable local safety regulations, standards and ordinances.



Warning!

Minors should never be allowed to use a blower : Bystanders, especially children, and animals should not be allowed in the area where a machine is in use. Never let the unit run unattended. Do not lend or rent your machine without the owner's manual. Be sure that anyone using your unit understands the information contained in this manual. Most of these safety precautions and warnings apply to the use of all STIHL blowers. Different models may have different parts and controls.

See the appropriate section of your owner's manual for a description of the controls and function of the parts of your machine.

Safe use of a blower involves

1. the operator
2. the blower
3. the use of the blower .

THE OPERATOR

Physical Condition

You must be in good physical condition and mental health and not under the influence of any substance (drugs, alcohol, etc.) which might impair vision, dexterity or judgment. Do not operate a blower when you are fatigued .

Be alert - if you get tired while operating your machine, take a break. Tiredness may result in loss of control. Working with any blower can be strenuous. If you have any condition that might be aggravated by strenuous work, check with your doctor before operating the machine.



Warning!

Prolonged use of a blower, (or other machines) exposing the operator to vibrations may produce whitefinger disease (Raynaud's phenomenon) or carpal tunnel syndrome. These conditions reduce the hand's ability to feel and regulate temperature, produce numbness and burning sensations and may cause nerve and circulation damage and tissue necrosis.



Warning!

The STIHL blower is not equipped with an antivibration (AV) system. Other STIHL blower models are available with an AV system designed to reduce the transmission of engine vibrations to the operator's hands. An AV system is recommended for those operators who use blowers on a regular or sustained basis.

Antivibration systems do not guarantee that you will not sustain whitefinger disease or carpal tunnel syndrome. Therefore, continual and regular users should monitor closely the condition of their hands and fingers. If any of the above symptoms appear, seek medical advice immediately.

Proper Clothing

Clothing must be sturdy and snug-fitting, but allow complete freedom of movement.



Warning!

Avoid loose-fitting jackets, flared or cuffed pants, scarfs, unconfined long hair or anything that could be drawn into the air intake.



Wear overalls or long pants to protect your legs. Do not wear shorts.



Use of gloves when working with the blower is recommended.



Good footing is most important. Wear sturdy shoes with nonslip soles.



Warning!

To reduce the risk of injury associated with the inhalation of dust, use a face filter mask when using your blower in dusty conditions.



Warning!

Proper eye protection is a must. Even though the discharge is directed away from the operator, ricochets and bounce backs can occur during blower operations.



Never operate a blower unless wearing goggles or properly fitted safety glasses with adequate top and side protection

which comply with ANSI Z 87.1 (or your applicable national standard).



Warning!

Blower noise may damage your hearing. Wear sound barriers (ear plugs or ear muffers) to protect your hearing. Continual and regular users should have their hearing checked regularly.

THE BLOWER

For illustrations and definitions of the blower parts see the chapter on "Parts and Controls"!



Warning!

Never modify a blower in any way. Only attachments supplied by STIHL or expressly approved by STIHL for use with the specific STIHL blower models are authorized. Although certain unauthorized attachment are useable for the STIHL blower, their use may be extremely dangerous.

THE USE OF THE BLOWER

Transport

Always turn off the engine before putting down blower. When transporting your unit in a vehicle, properly secure it to prevent turnover, fuel spillage and damage to the machine.

Fueling

This STIHL unit uses an oil-gasoline mixture for fuel (see the chapter on "Fuel" of your owner's manual).



Warning!



Gasoline is an extremely flammable fuel. If spilled or ignited by a spark or other ignition source, it can cause fire and serious burn injury or property damage.

Use extreme caution when handling gasoline or fuel mix. Do not smoke or bring any fire or flame near the fuel.

Fueling instructions

Fuel your machine in well-ventilated areas, outdoors only. Always shut off the engine and allow it to cool before refueling. Relieve fuel tank pressure by loosening fuel cap slowly. Never remove fuel filler cap while engine is running.

Select bare ground for fueling and move at least 10 feet (3 m) from the fueling spot before starting the engine. Wipe off any spilled fuel before starting your blower and check for leakage.

Always tighten fuel filler cap securely after fueling.



Warning!

Check for fuel leakage while refueling and during operation. If fuel or oil leakage is found, do not start or run the engine until leak is fixed and spilled fuel has been wiped away. Take care not to get fuel on your clothing. If this happens, change your clothing immediately.

Always store gasoline in approved container.



Warning!

Unit vibrations can cause an improperly tightened fuel cap to loosen or come off and spill quantities of fuel.



In order to reduce risk of fuel spillage and fire, tighten fuel cap by hand with as much force as possible.

Starting

You should always inspect your unit before starting it. Make sure the controls and safety devices are working properly.



Warning!

Your blower is a one-person machine. To reduce the risk of eye or other injury from thrown objects, insure that bystanders are at least 50 feet (15m) away during use. Stop the engine immediately if you are approached.

For specific starting instructions, see the appropriate section of your owner's manual. Place the machine on firm ground or other solid surface in an open area. Maintain good balance and secure footing.



Warning!

When you pull the starter grip, don't wrap the starter rope around your hand. Do not allow the grip to snap back, but guide the starter rope slowly back to permit the rope to rewind properly.

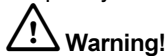
Failure to follow this procedure may result in injury to hand or fingers and may damage the starter mechanism.

Working instructions and important adjustments



Warning!

Never operate your machine if it is damaged, improperly adjusted or not completely and securely assembled.



Warning!

Start and operate your unit outdoors in a ventilated area.

Keep the space behind and beside the engine clear at all times to allow for the escape of hot and toxic exhaust fumes. When working with a handheld blower, always carry it with the muffler away from you to reduce the risk of burns from contact with the hot muffler or hot exhaust fumes.

Operate your machine under good visibility and daylight conditions only. Work carefully.

Working Conditions

Operate the blower under good visibility and daylight conditions only.



Warning!



Your blower produces poisonous exhaust fumes as soon as the combustible engine is running. These gases (e.g. carbon monoxide) may be colorless and odorless.

To reduce the risk of serious or fatal injury from breathing toxic fumes, never run the blower indoors or in poorly ventilated locations. Ensure proper ventilation when working in trenches or other confined areas.



Warning!

Use of this product can generate dust, mists, and fumes containing chemicals known to cause respiratory disease, cancer, birth defects, or other reproductive harm. If you are unfamiliar with the risks associated with the particular dust, mists or fumes at issue, consult your employer, governmental agencies such as OSHA and NIOSH and other sources on hazardous materials. If the substance being blown or vacuumed is a commercial substance, review the material safety data sheet for that substance and / or consult the material manufacturer / supplier. The state of California and some other authorities, for instance,

have published lists of substances known to cause cancer, reproductive toxicity, etc.

Control dust, mist and fumes at the source where possible. In this regard use good work practices and follow the recommendations of OSHA / NIOSH and occupational and trade associations. When the inhalation of toxic dust, mists and fumes cannot be eliminated, the operator and any bystanders should always wear a respirator approved by NIOSH / MSHA for the substance at issue.

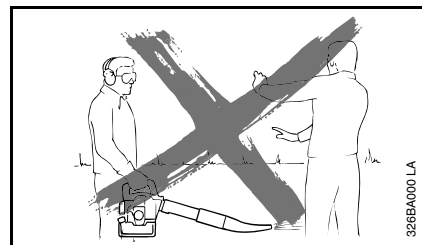
 **Warning!**

Dust with silica in its composition may contain crystalline silica. Silica is a basic component of sand, quartz, brick, clay, granite and numerous other minerals and rocks, including masonry and concrete products. Repeated and / or substantial inhalation of airborne crystalline silica can cause serious or fatal respiratory disease, including silicosis. In addition, the state of California and some other authorities have listed respirable crystalline silica as a substance known to cause cancer. When encountering such materials, always follow the respiratory precautions mentioned above.

 **Warning!**

Breathing asbestos dust is dangerous and can cause severe or fatal injury, respiratory illness or cancer. The use and disposal of asbestos containing products have been strictly regulated by OSHA and the Environmental Protection Agency. Do not blow or disturb asbestos or asbestos containing products, such as asbestos insulation. If you have any reason to believe that you might be disturbing asbestos, immediately contact your employer or a local OSHA representative.

When working with the blower, always wrap your fingers tightly around the handle, keeping the control handle cradled between your thumb and forefinger. Keep your hand in this position to have your machine under control at all times. Make sure your control handle (and grip for vacuum attachment) are in good condition and free of moisture, pitch, oil or grease.



 **Warning!**

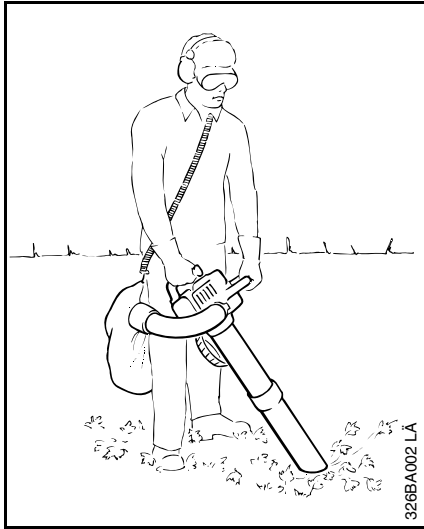
To reduce the risk of personal injury, do not direct air blast towards bystanders, since the high pressure of the air flow could injure eyes and could blow small objects at great speed.

 **Warning!**

Always shut off the engine before cleaning or servicing the unit or replacing parts.

The blower fan between the air intake and output openings rotates whenever the engine is running. In order to reduce the risk of injury from contact with the fan, never operate your unit without a properly mounted intake screen and blower tube. Never insert any foreign object into the air intake or output openings of the machine.

Pay attention to the direction of the wind, i.e., do not work against the wind.



To reduce the risk of stumbling and loss of control, do not walk backward while operating the machine.

Using the Vacuum Attachment (special accessory)

For specific assembling instructions, see the appropriate section of your owner's manual.

When working with the vacuum attachment (special accessory), always hold the unit firmly with both hands.

Wear it with the carrying harness over the shoulder (see illustration).



Warning!

To reduce the risk of personal injury from fire and explosion, never attempt to pick up hot or burning substances (e.g. smoldering ashes, glowing cigarettes) or combustible fluids (e.g. gasoline, paint thinners).



Warning!

In order to reduce the risk of injury from contact with rotating parts and damage to the motor, the intake screen must always be screwed in place when the suction tube is not mounted.

MAINTENANCE, REPAIR AND STORING

Maintenance, replacement, or repair of the emission control devices and systems may be performed by any nonroad engine repair establishment or individual. However if you claim warranty for a component which has not been serviced or maintained properly or if nonapproved replacement parts were used, STIHL may deny warranty.

Use only identical STIHL replacement parts for maintenance and repair. Use of parts manufactured by others may cause serious or fatal injury.

Follow the maintenance and repair instructions in the appropriate section of your owner's manual. Refer to the maintenance chart at the last pages of this manual.



Warning!

Always stop the engine and make sure that the fan is stopped before doing any maintenance or repair work or cleaning the blower. Do not attempt any maintenance or repair work not described in your owner's manual. Have such work performed at your STIHL service shop only.

Check fuel filler cap for leaks at regular intervals. Use the specified spark plug and make sure it and the ignition lead are always in good condition.

 **Warning!**

A worn or damaged muffler is a fire hazard and may cause loss of hearing. Check to see that the muffler is in good condition. The blower must not be operated if the muffler is not functioning properly or has been removed.

Remember that the risk of forest fires is greater in hot weather. Use the spark arresting muffler supplied with the unit. Never touch a hot muffler or burn will result.

 **Warning!**

In order to reduce the risk of fire, do not modify or remove any part of the muffler or spark arrestor.

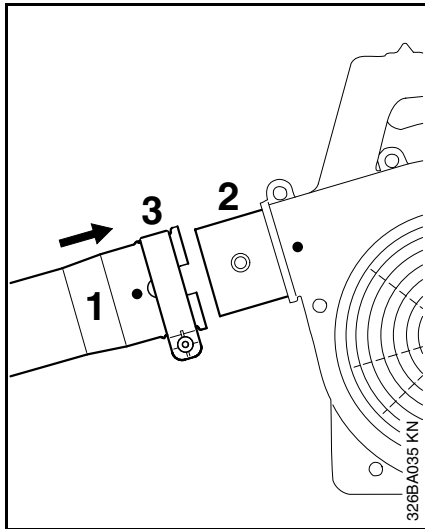
Keep spark plug and wire connection tight and clean. The spark plug electrode gap should be checked with a feeler gauge at least every 50 operating hours and reset if necessary. Fit a new spark plug if the electrodes are badly pitted.

For any maintenance please refer to the maintenance chart **and to the warranty statement** near the end of this manual.

Store blower in a dry, high or locked location place and out of reach of children.

Before storing for longer than a few days, always empty the fuel tank.

Assembling the Blower

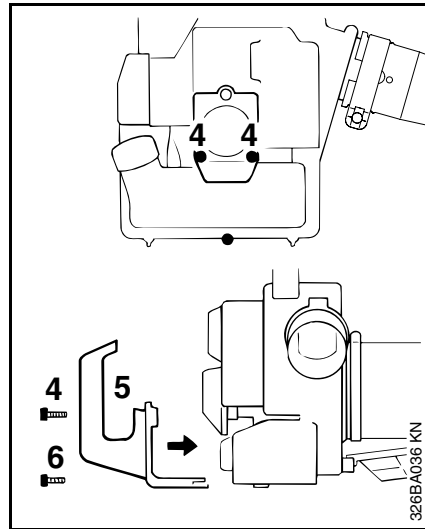


The BG 75 comes standard as a blower. A vacuum attachment* is available for user installation which can be used to pick up leaves, grass and similar materials.

Blower

- Line up the dots on the tube and housing and then push the blower tube (1) onto the housing stub (2).
- Tighten down the clamp (3).

* Special accessory



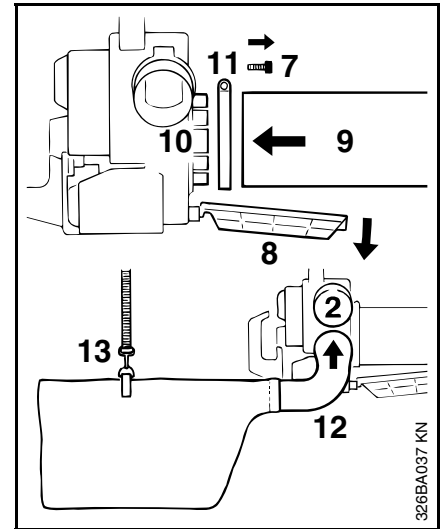
Preparations for vacuuming

Before using the vacuum attachment for the first time:

- Fit the elbow inside the catcher bag.

It is necessary to remove the blower tube and fit the elbow with catcher bag in its place.

- Release the clamp.
- Pull the blower tube off the fan housing stub.



Vacuum attachment

- Remove the screws (4) from the starter cover.
- Mount the handle (5) - insert the screws (M5x25) in the starter cover and one screw (6) (P6x19) at the underside of the unit and tighten down.
- Remove screw (7) from intake screen (8) - fold the screen down.
- Push suction tube (9) over intake (10) on fan housing.
- Fit the hose clamp (11) and tighten it down.
- Fit elbow of catcher bag (12) on the fan housing stub (2).
- Attach the carrying strap (13).

Fuel Mix

This engine is certified to operate on unleaded gasoline and with the mix ratio 50:1.

Your two-stroke engine requires a mixture of brand-name gasoline and quality two-stroke engine oil with the classification TC.

Use regular branded unleaded gasoline with a minimum octane rating of 90 RON (U.S.A./Canada: pump octane min. 89!). If the octane number of the regular grade gasoline in your area is lower use premium unleaded fuel. Fuel with a lower octane rating may result in preignition (causing "pinging") which is accompanied by an increase in engine temperature. This, in turn, increases the risk of the piston seizure and damage to the engine.

The chemical composition of the fuel is also important. Some fuel additives not only detrimentally affect elastomers (carburetor diaphragms, oil seals, fuel lines etc.), but magnesium castings as well. This could cause running problems or even damage the engine. For this reason it is essential that you use only name branded fuels!

Use only STIHL two-stroke engine oil or equivalent branded two-stroke air-cooled engine oils with the classification TC for mixing.

We recommend STIHL 50:1 two-stroke engine oil since it is specially formulated for use in STIHL engines.

Do not use BIA or TCW (two-stroke water cooled) mix oils!

Take care when handling gasoline. Avoid direct contact with the skin and avoid inhaling fuel vapour.

The canister should be kept tightly closed in order to avoid any moisture getting into the mixture.

The fuel tank and the canister in which fuel mix is stored should be cleaned from time to time.

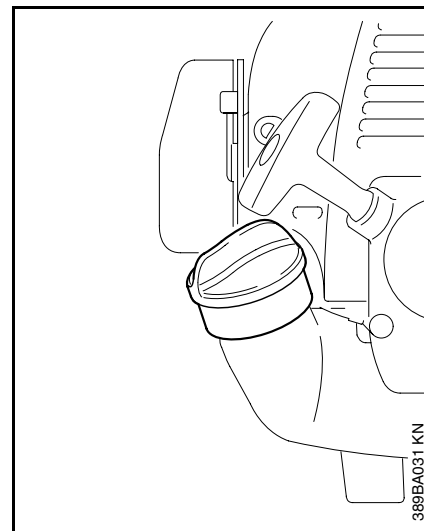
Fuel mix ages:

Only mix sufficient fuel for a few days work, not to exceed 3 months of storage. Store in approved safety fuel-canisters only. When mixing, pour oil into the canister first, and then add gasoline.

Gasoline	Oil (STIHL 50:1 or equivalent branded TC oils)
US gal.	US fl.oz
1	2.6
2 1/2	6.4
5	12.8

Dispose empty mixing-oil canisters only at authorized disposal locations.

Fueling



Before fueling, clean the filler cap and the area around it to ensure that no dirt falls into the tank.

Always thoroughly shake the mixture in the canister before fueling your machine.

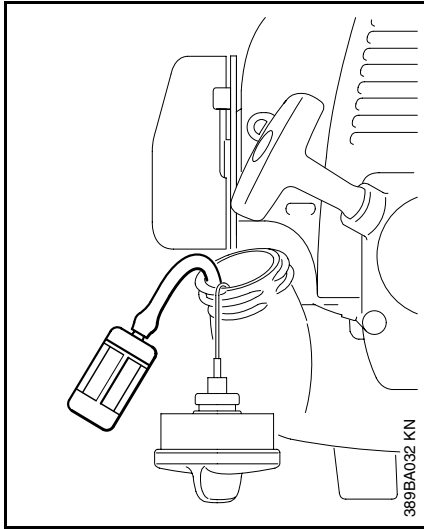
Warning!

In order to reduce the risk of burns or other personal injury from escaping gas vapor and fumes, remove the fuel filler cap carefully so as to allow any pressure build-up in the tank to release slowly.

Warning!

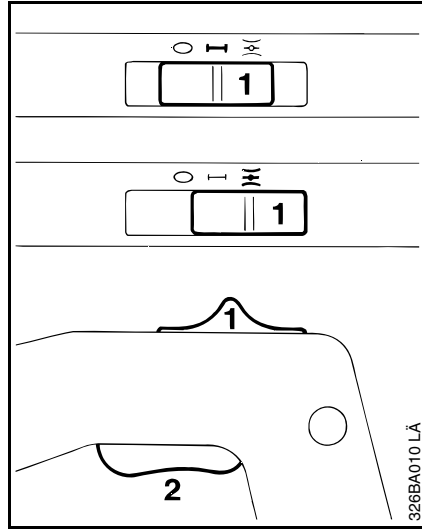
After fueling, tighten fuel cap as securely as possible by hand.

Starting



Change the fuel pick up body every year.

Before storing your machine for a long period, drain and clean the fuel tank and run engine until carburetor is dry.

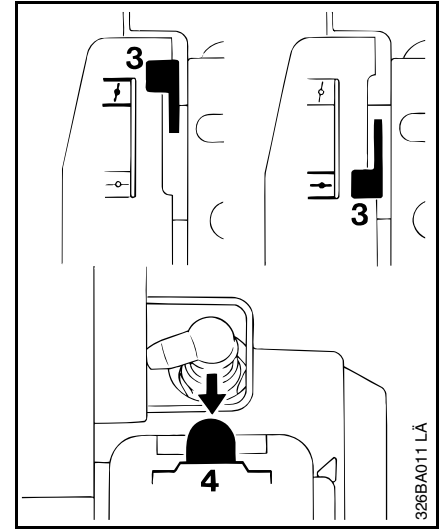


- Observe safety precautions - see chapter "Safety Precautions" in this manual.

To start the engine, move the slide control (1) to **I** position.

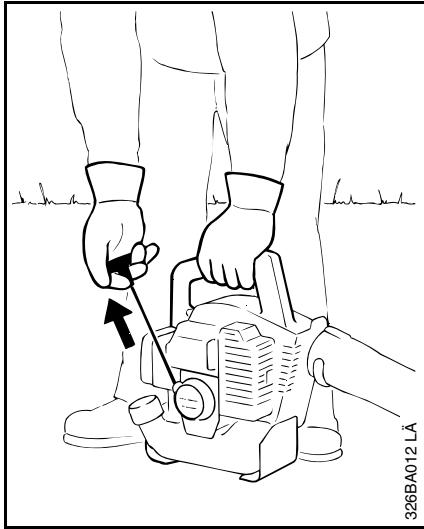
Squeeze the throttle trigger (2) and move the slide control to **I** at the same time.

- Let go of throttle trigger.
- Release the slide control = **starting throttle position.**




Set the choke lever (3):
for cold start to **I**
for warm start to **II**
(even if engine has been running but is still cold)

Press the fuel pump bulb (4) at least five times.



- Put the unit on the ground.
- Make sure you have a firm footing: Hold the unit with your left hand and press it firmly against the ground.
- Pull the starter grip slowly with your right hand until you feel it engage - and then give it a brisk strong pull. Do not pull out starter rope more than 30" (75 cm) - it might break. Do not let the starter grip snap back.
- Guide it back slowly so that starter rope can rewind properly.


When engine begins to fire:

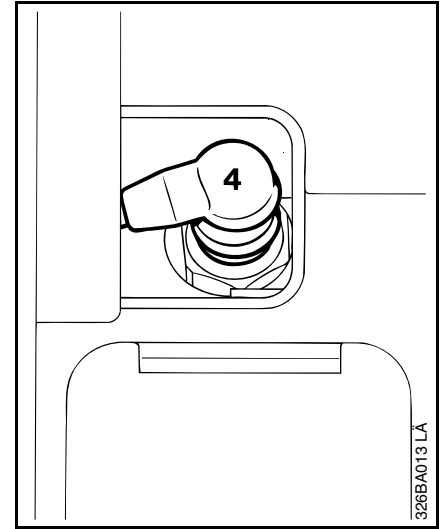
- Move choke lever to  and continue cranking.
As soon as engine runs, blip the throttle trigger, the slide control then moves to the "Run" position **I** and the returns to idling speed.
- To shut down the engine: Move the slide control to "0".

At very low outside temperatures:
Allow engine to warm up.

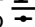
- As soon as engine runs:
- Blip the throttle trigger = slide control moves to the "Run" position **I** engine returns to idling speed.
- Open throttle slightly - warm up engine for short period.

If the engine doesn't start:

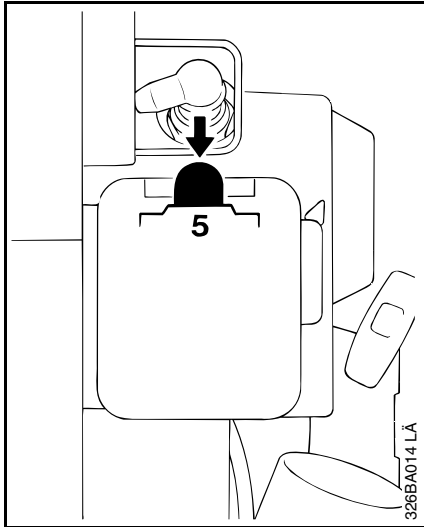
If you did not move the choke lever to  quickly enough after the engine began to fire, the combustion chamber has flooded.



Remove spark plug terminal (4).

- Unscrew and dry off the spark plug.
- Set slide control to "0".
- Engage the throttle fully.
- Pull the starter rope several times to clear the combustion chamber.
- Refit the spark plug and connect the spark plug terminal.
- Set slide control to **I**
- Set choke lever to  even if engine is cold.
- Now start the engine.

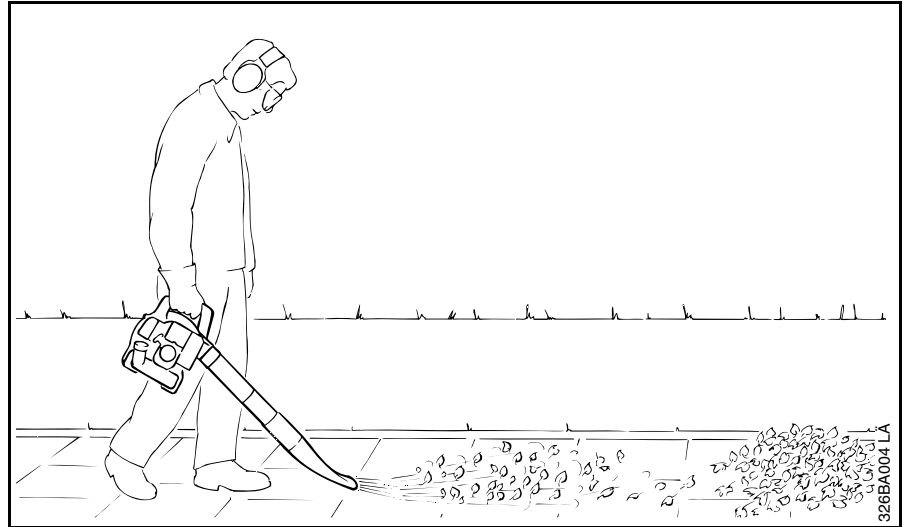
Using the blower



Fuel tank has been run dry and was refueled then

Press fuel pump bulb (5) at least 5 times.

- Now start the engine.



The blower is designed for single-handed operation. The operator can grip the handle on the housing in his right or left hand.

A large area can be covered with the wide nozzle.

The wide nozzle generates a flat air-stream which can be used highly specifically and effectively since the outlet is near ground level.

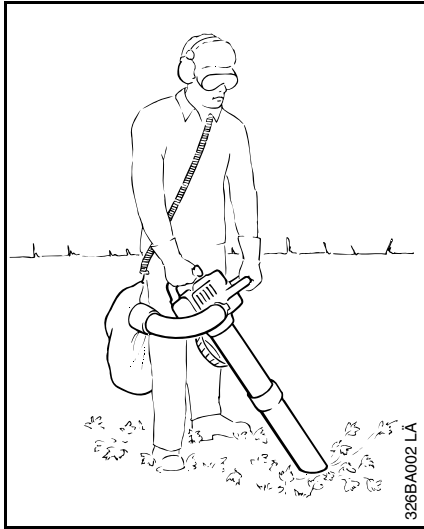
The blower's wide nozzle is particularly effective for clearing large areas covered with sawdust, fallen leaves or cut grass etc.

The machine must always be switched off completely before undertaking any alterations (risk of injury due to the circulating fan wheel).

The machine must always be made up correctly!

Warning!

Be wary of small animals when blow-sweeping or vacuuming leaves. To avoid possible injuries in such situations, do not run the unit at high revs.



When using the blower as a vacuum cleaner (vacuum attachment as special accessory), the carrying strap on the catcher bag is placed over the left shoulder and the right arm is guided by the carrying strap. The left hand grips the handle on the housing, the right hand gripping the carrying handle.

Large leaves, cardboard or pieces of bark can be taken up by the suction tube with its large diameter.

Never take up wet leaves as they may clog the fan!

To minimize blowing time, use rakes and brooms to loosen debris before blowing.

Recommended working techniques to minimize airborne debris and pollution:

- In dusty conditions, slightly dampen surfaces.
- Use the full blower nozzle extension so the air stream can work close to the ground.
- Do not direct debris at subjects such as open windows or freshly-washed cars.
- After using blowers, clean up. Do not blow debris onto neighbouring properties.

Recommended working techniques to minimize noise:

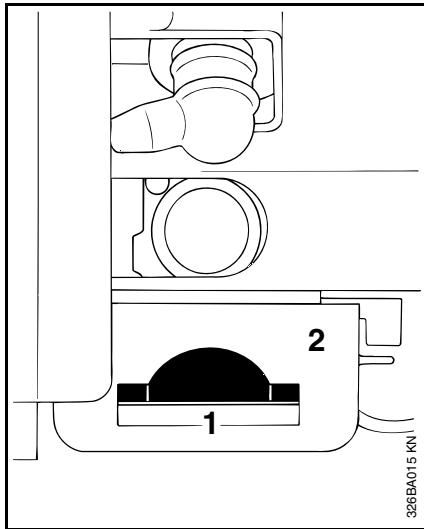
- Operate power equipment only at reasonable hours - not early in the morning, late at night or during the noon-break when people might be disturbed. Comply with times listed in local ordinances. Usual recommendations are 9:00 a.m. to 12:00 a.m. and 03:00 p.m. to 5:00 p.m. on workdays for professionals. Special considerations should be given to neighbours on weekends.
- Fewer engines mean less noise; therefore use only one piece of

power equipment at a time, when possible.

- Operate power blowers at the lowest possible throttle speed to do the job.
- Check your equipment before operation, especially the muffler, air intakes and air filters.

Conserve water by using power blowers instead of hoses for those lawn and garden applications where a blower can be properly used, such as cleaning patios or porches.

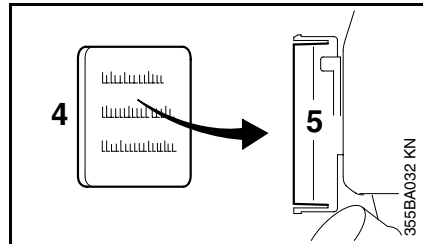
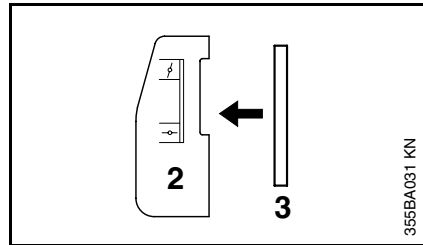
Cleaning the Air Filter



Dirty air filters reduce engine power, increase fuel consumption and make starting more difficult.

If there is a noticeable loss of engine power

- Move choke lever to \bar{I}
Press in the tab (1).
Ease the filter cover (2) over the tab and lift it off.
- Clean away loose dirt from around the filter.

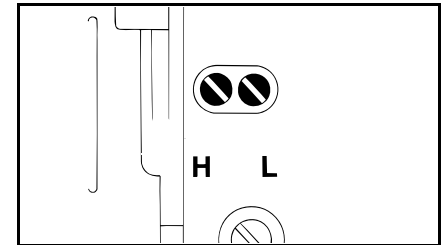


- Remove the foam (3) and felt (4) filter elements.
- Wash the foam element in a clean, non-flammable cleaning solution (e.g. warm soapy water) and then dry.
- Fit a new felt filter element. As a temporary measure you can knock it out on the palm of your hand or blow it out with compressed air. Don't wash.

Always replace damaged filter elements.

- Install the foam element (3) in the filter cover (2).
- Place felt element (4) (lettering facing inward) in filter housing (5).
- Fit the felt cover (2) so that it snaps into position.

Adjusting the Carburetor with two adjusting screws



Motor Management

Exhaust emissions are controlled by the design of the fundamental engine parameters and components (e.g. carburetion, ignition, timing and valve or port timing) without the addition of any major hardware.

The carburetor comes with a standard setting.

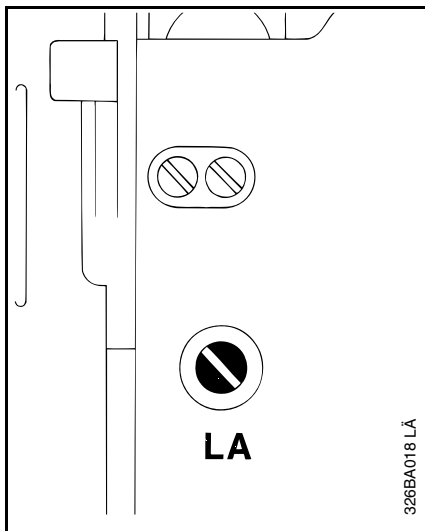
This is the optimum setting to ensure your machine will operate reliably with the lowest possible emissions under most operating conditions.

Standard setting

If it is necessary to readjust the carburetor from scratch, first carry out the standard setting.

Turn

- H high speed adjusting screw
- L low speed adjusting screw counter-clockwise (richer) as far as stop.
- Check air filter and clean it if necessary.
- Warm up the engine.
- Set idle speed correctly.



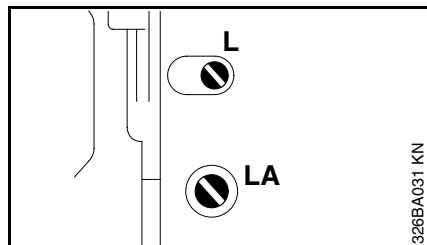
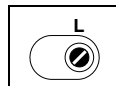
Adjusting idle speed

Engine stops while idling

Carry out the standard setting.

Turn the idle speed adjusting screw (**LA**) clockwise until the engine runs smoothly.

Carburetor with one adjusting screw



Your carburetor does not have a high speed adjusting screw (H screw). Adjustment of maximum engine speed is not necessary.

The carburetor is set at the factory to guarantee an optimum fuel-air mixture under all operating conditions.

Idling and part-load emissions are minimized by limiting the idle mixture.

- Check the air filter and clean it if necessary.
- Warm up the engine.
- Carefully screw the low speed screw (**L**) down onto its seat. Then open it one turn counterclockwise (standard setting, **L = 1**)

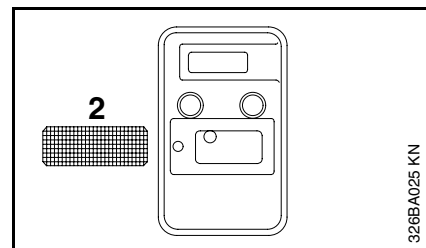
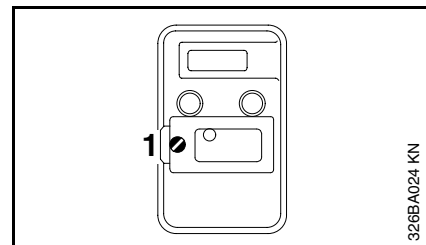
Adjusting idle speed

Engine stops while idling:

Check standard setting.
(L screw must be one turn open)

Turn the idle speed screw (**LA**) clockwise until the engine runs smoothly.

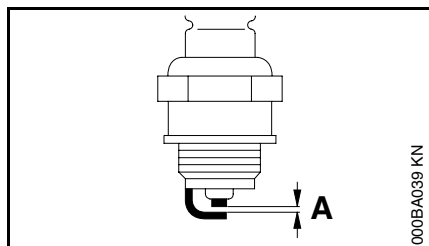
Spark Arresting Screen in Muffler



If the engine is down on power, check the spark arresting screen in the muffler.

- Remove the housing
Take out the screw (**1**).
Take out the spark arresting screen (**2**).
- Clean the spark arresting screen.
- If screen is damaged or heavily carbonized, fit a new one.
- Install the spark arresting screen.
- Mount the housing.

Checking the Spark Plug

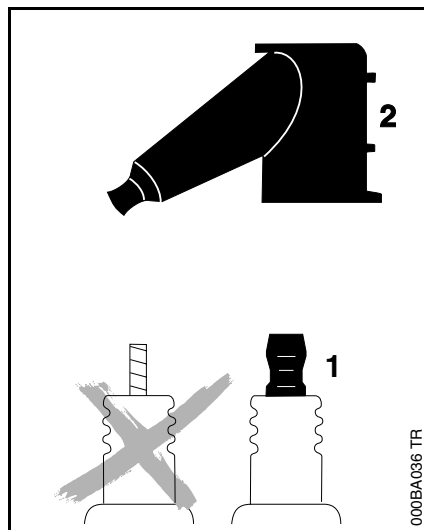


Wrong fuel mix (too much engine oil in the gasoline), a dirty air filter and unfavorable running conditions (mostly at part throttle etc.) affect the condition of the spark plug. These factors cause deposits to form on the insulator nose which may result in trouble in operation.

If engine is down on power, difficult to start or runs poorly at idling speed, first check the spark plug.

- Remove spark plug - see chapter "Starting":
- Clean dirty spark plug.
- Check electrode gap - it should be 0.5mm/0.02" (A) - readjust if necessary.
- Use only resistor type spark plugs of the approved range.

Rectify problems which have caused fouling of spark plug:
Incorrect carburetor setting, too much oil in fuel mix, dirty air filter, unfavorable running conditions, e.g. operating at part load.

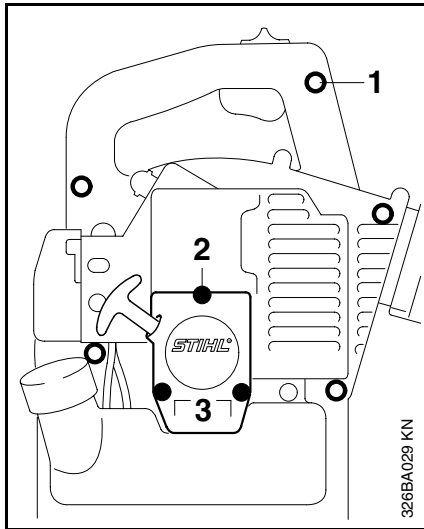


- Fit a new spark plug after approx. 100 operating hours - or earlier if the electrodes are badly eroded.

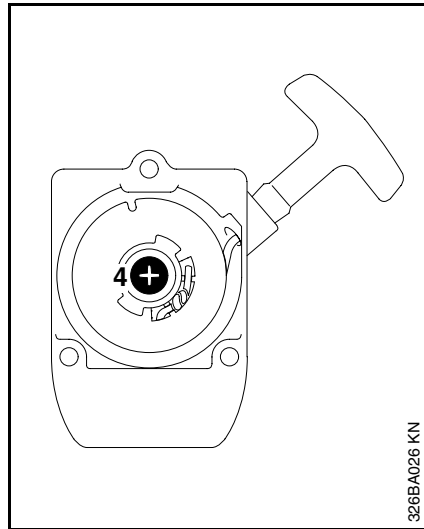
Warning!

To reduce the risk of fire and burn injury, use only spark plugs authorized by STIHL (see "Specifications"). Always press spark plug boot (2) snugly onto spark plug terminal (1) of the proper size. (Note: If terminal has detachable SAE adapter nut, it must be attached.) A loose connection between spark plug terminal and ignition wire connector in the boot may create arcing that could ignite combustible fumes and cause a fire.

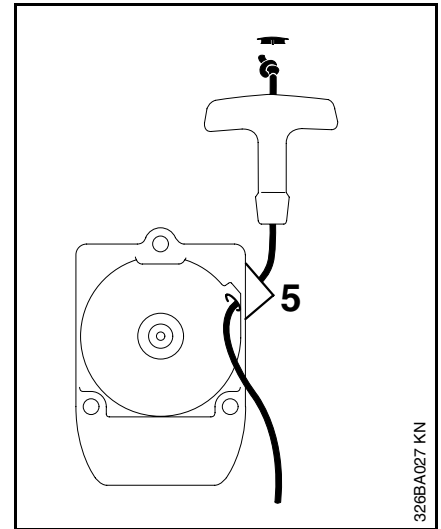
Replacing the Starter Rope and Rewind Spring



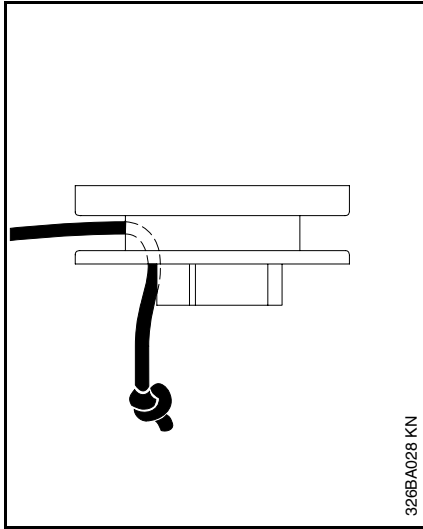
- Slacken off the housing screws. Remove the three screws (1). Lift the starter cover (2) off the engine (3) (if vac attachment is fitted, remove handle before starter cover)



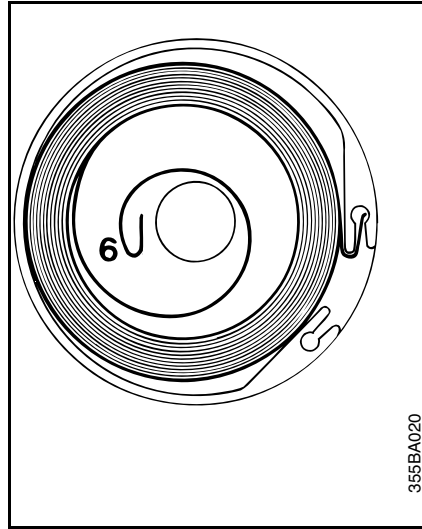
- Take out the screw (4).
- Remove the rope rotor very carefully - the rewind spring is seated in the rope rotor and may pop out, uncoil and cause injury if care is not taken. Release spring tension by pulling starter handle out several inches. Hold pulley to prevent rebound. Pull rope. Slowly release spring tension by allowing pulley to unwind until all tension is gone.



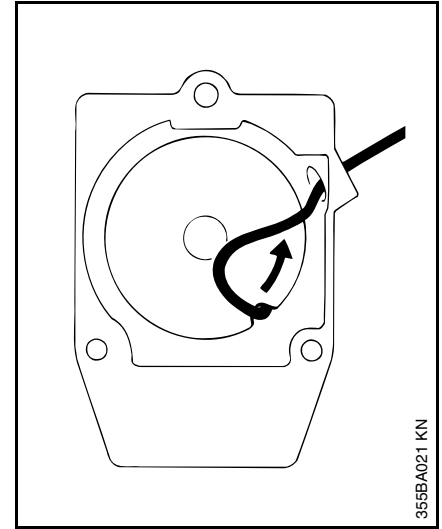
- Use a screwdriver to ease the cap out of the starter grip.
- Remove remaining rope from the rotor and grip, making sure the ElastoStart sleeve is not pushed out of the grip.
- Tie a simple overhand knot in the end of the new starter rope and then thread rope through the top of the grip and the rope bush (5).
- Refit the cap in the grip.



- Pull the rope through the rotor and secure it with a simple overhand knot.



- Lubricate rope rotor bore with non-resinous oil.
- Push rotor onto the starter post - turn back and forth until loop (6) of rewind spring engages.
- Insert screw and tighten down securely.



Tensioning rewind spring

- Make a loop in the starter rope and use it to turn the rope rotor six full revolutions counter-clockwise. Hold the rotor steady - straighten the twisted rope - release the rotor - let go of rope slowly so that it winds onto the rotor.

The starter grip must be firmly seated in the rope guide bush.
If grip droops to one side:
Add one more turn on rope rotor to increase spring tension.

When starter rope is fully extended, it must be possible to rotate the rotor another one half turn.

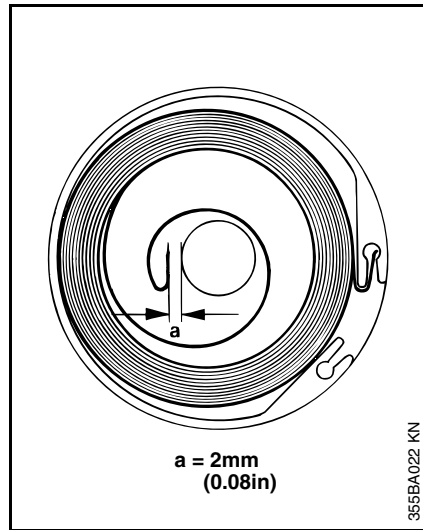
If this is not the case, the spring is overtensioned and could break.

Take one turn of rope off the rotor.

- Secure the starter cover.
- Tighten down the housing screws firmly.

Replacing a broken rewind spring

- Lubricate the new spring with a few drops of non-resinous oil - do not open the wire retainer.



- Remove the rope rotor.
- Remove parts of old spring.
- Fit the new spring - position outer spring loop in the recess - the wire retainer slips off in this process.

If the spring pops out and uncoils: Refit it in the counterclockwise direction - start outside and work inward.

- Install the rope rotor.
- Tension the rewind spring.
- Fit the starter cover.
- Tighten down the housing screws firmly.

Operating Instructions

During break-in period

A factory new machine should not be run at high revs (full throttle off load) for the first three tank fillings. This avoids unnecessary high loads during the break-in period.

As all moving parts have to bed in during the break-in period, the frictional resistances in the engine are greater during this period. The engine develops its maximum power after about 5 to 15 tank fillings.

During operation

After a long period of full-throttle operation, allow engine to run for a while at idle speed so that the heat in the engine can be dissipated by flow of cooling air. This protects engine-mounted components (ignition, carburetor) from thermal overload.

After finishing work

Storing for a short period: Wait for engine to cool down. To avoid condensation, fill the fuel tank and keep the unit in a dry place until you need it again.


Storing for an long period: see chapter "Storing the Machine".

Maintenance Chart

Please note that the following maintenance intervals apply for normal operating conditions only. If your daily working time is longer than normal or operating conditions are difficult (very dusty work area) shorten the specified intervals accordingly.		before starting work	after finishing work or daily	after each refueling stop	weekly	monthly	if faulty	if damaged	as required	see page:
Complete machine	Visual inspection (condition, leaks)	x		x						
	Clean		x							
Control handle	Check operation	x		x						11
Air filter	Clean								x	15
	Replace							x		15
Filter in fuel tank	Check						x			11
	Replace felt and strainer								x	11
Fuel tank	Clean					x				11
Carburetor	Check idle adjustment	x		x						15-16
	Idle setting								x	15-16
Spark plug	Readjust electrode gap						x			17
Cylinder fins	Clean				x					
Spark arresting screen in muffler	Inspect					x				16
	Clean or replace							x		16
All accessible screws and nuts (not adjusting screws)	Retighten								x	

The user of this unit should carry out only the maintenance operations described in this manual. Other repair work may be performed only by an authorized STIHL Service dealer.

Warranty claims following repairs can be accepted only if the repair has been performed by an authorized STIHL Service dealer using original STIHL spare parts.

Original STIHL parts can be identified by the STIHL part number, the **STIHL** logo and the STIHL parts symbol . The symbol may appear alone on small parts.

Specifications

Engine

Single cylinder two-stroke engine

Displacement: 1.55 cu.in
(25.4 cm³)
Bore: (1.34 in) 34 mm
Stroke: (1.10 in) 28 mm

Engine power: 0.75 kW (1.00 HP)

Max. permissible engine speed: See "Adjusting the Carburetor"

Idle speed: 2,800 r.p.m.

Bystanders noise per ANSI B 175.2-1990 69 dB (A)

Air flow rate 640 m³/h (377 cfm)
Air velocity 60 m/s (198 ft/s)

Ignition System

Type: Electronic
(breakerless)
magneto ignition

park plug (suppressed): Bosch WSR 6 F
or
NGK BPMR 7 A;

Electrode gap: 0.02 in (0.5 mm)
Spark plug thread: M 14 x 1.25;
0.37 in (9.5 mm)
long

Fuel System

Carburetor: All position diaphragm carburetor with integral fuel pump

Air filter: Foam and felt elements

Fuel tank capacity: 0.9 US pt (0.5 L)

Fuel mixture: See chapter "Fuel Mix" (complete unit w/out tools)
9.4 lb (4.3 kg)

Weight:

Special Accessories

Vacuum attachment kit:
4227 007 1000

Gutter cleaning kit:
4227 007 1005

Storing the Machine

For periods of about 3 months or longer:

- Remove the blower tube and nozzle.
- Drain and clean the fuel tank.
- Run engine until carburetor is dry - this helps prevent the carburetor diaphragms sticking together.
- Thoroughly clean the machine - pay special attention to the cylinder fins and air filter.
- Store the machine in a dry, high or locked location - out of the reach of children and other unauthorized persons.

STIHL Incorporated Federal and California Emission Control Warranty Statement

Your Warranty Rights and Obligations

The U.S. Environmental Protection Agency (EPA), the California Air Resources Board (CARB) and STIHL Incorporated are pleased to explain the Emission Control System Warranty on your model year 2000 and later equipment type engine. In California, new small off-road engines must be designed, built and equipped to meet the State's stringent anti-smog standards. In other states, new 1997 and later model year small off-road equipment engines must be designed, built and equipped, at the time of sale, to meet the U.S. EPA regulations for small non road engines. The equipment engine must be free from defects in materials and workmanship which cause it to fail to conform with U.S. EPA standards for the first two years of engine use from the date of sale to the ultimate purchaser.

STIHL Incorporated must warrant the emission control system on your small off-road engine for the period of time listed below provided there has been no abuse, neglect or improper maintenance of your small off-road equipment engine.

Your emission control system includes parts such as the carburetor and the ignition system. Also included may be hoses, and connectors and other emission related assemblies.

Where a warrantable condition exists, STIHL Incorporated will repair your small off-road equipment engine at no cost to you, including diagnosis (if the diagnostic work is performed at an authorized dealer), parts, and labor.

Manufacturer's Warranty Coverage:

The small off-road equipment engines are warranted for two years in California. In other states, 1997 and later model year small off-road equipment engines are also warranted for two years. If any emission-related part on your engine is defective, the part will be repaired or replaced by STIHL Incorporated free of charge.

Owner's Warranty Responsibilities:

As the small off-road equipment engine owner, you are responsible for the performance of the required maintenance listed in your owner's manual. STIHL Incorporated recommends that you retain all receipts covering maintenance on your small off-road equipment engine, but STIHL Incorporated cannot deny warranty solely for the lack of receipts or for your failure to ensure the performance of all scheduled maintenance.

Any replacement part or service that is equivalent in performance and durability may be used in non-warranty maintenance or repairs, and shall not reduce the warranty obligations of the engine manufacturer.

As the small off-road equipment engine owner, you should be aware, however, that STIHL Incorporated may deny you warranty coverage if your small off-road equipment engine or a part has failed due to abuse, neglect, improper maintenance or unapproved modifications.

You are responsible for presenting your small off-road equipment engine to a STIHL service center as soon as a problem exists. The warranty repairs will be completed in a reasonable amount of time, not to exceed 30 days. If you have any questions regarding your warranty rights and responsibilities, please contact a STIHL customer service representative at 1-800-467-8445 or you can write to STIHL Inc., 536 Viking Drive, P.O. Box 2015, Virginia Beach, VA 23450-2015.

Coverage by STIHL Incorporated

STIHL Incorporated warrants to the ultimate purchaser and each subsequent purchaser that your small off-road equipment engine will be designed, built and equipped, at the time of sale, to meet all applicable regulations. STIHL Incorporated also warrants to the initial purchaser and each subsequent purchaser that your engine is free from defects in materials and workmanship which cause the engine to fail to conform with applicable regulations for a period of two years.

Warranty Period

The warranty periods will begin on the date the utility equipment engine is purchased by the initial purchaser and you have signed and sent back the warranty card to STIHL. If any emission related part on your engine is defective, the part will be replaced by STIHL Incorporated at no cost to the owner. Any warranted part which is not scheduled for replacement as required maintenance, or which is scheduled only for regular inspection to the effect of "repair or replace as necessary" will be warranted for the warranty period. Any warranted part which is scheduled for replacement as required maintenance will be warranted for the period of time up to the first scheduled replacement point for that part.

Diagnosis

You, as the owner, shall not be charged for diagnostic labor which leads to the determination that a warranted part is defective. However, if you claim warranty for a component and the machine is tested as non-defective, STIHL Incorporated will charge you for the cost of the emission test.

Mechanical diagnostic work will be performed at an authorized STIHL servicing dealer. Emission test may be performed either at STIHL Incorporated or at any independent test laboratory.

Warranty Work

STIHL Incorporated shall remedy warranty defects at any authorized STIHL servicing dealer or warranty station. Any such work shall be free of charge to the owner if it is determined that a warranted part is defective. Any manufacturer-approved or equivalent replacement part may be used for any warranty maintenance or repairs on emission-related parts and must be provided without charge to the owner. STIHL Incorporated is liable for damages to other engine components caused by the failure of a warranted part still under warranty.

The California Air Resources Board's Emission Warranty Parts List specifically defines the emission-related warranted parts. These warranted parts are:

Carburetor
Choke (Cold start enrichment system)
Intake manifold
Air filter
Spark plug
Magneto or electronic ignition system (ignition module)
Catalytic converter (if applicable)
Fasteners

Where to make a claim for Warranty Service

Bring the product to any authorized STIHL servicing dealer and present the signed warranty card.

Maintenance Requirements

The maintenance instructions in this manual are based on the application of the recommended 2-stroke fuel-oil mixture (see also instruction "Fuel"). Deviations from this recommendation regarding quality and mixing ratio of fuel and oil may require shorter maintenance intervals.

Limitations

This Emission Control Systems Warranty shall not cover any of the following:

- repair or replacement required because of misuse, neglect or lack of required maintenance,
 - repairs improperly performed or replacements not conforming to STIHL Incorporated specifications that adversely affect performance and/or durability, and alterations or modifications not recommended or approved in writing by STIHL Incorporated,
- and
- replacement of parts and other services and adjustments necessary for required maintenance at and after the first scheduled replacement point.

 **WARNING!**

The engine exhaust from this product contains chemicals known to the State of California to cause cancer, birth defects or other reproductive harm.

english/english U.S.A./CARB/EPA