

STIHL®

STIHL FC 100

Instruction Manual Manual de instrucciones



Warning!

For safe operation follow all safety precautions in Instruction Manual - improper use can cause serious injury.

Advertencia!

Para su seguridad durante el manejo de este producto, siga siempre las precauciones de seguridad dadas en el manual de instrucciones - el uso indebido puede causar lesiones graves.



Contents

Guide to Using this Manual	2
Safety Precautions	3
Working Techniques	13
Mounting the Loop Handle	16
Adjusting the Throttle Cable	16
Fitting the Edger Blade	17
4-MIX Engine	18
Fuel	18
Fueling	19
Starting / Stopping the Engine	20
Operating Instructions	23
Cleaning the Air Filter	23
Motor Management	24
Adjusting the Carburetor	24
Spark Arresting Screen in Muffler ...	26
Checking the Spark Plug	26
Lubricating the Gearbox	27
Replacing Starter Rope and Rewind Spring	28
Storing the Machine	31
Replacing the Depth Wheel	31
Replacing the Skirt	31
Replacing the Edger Blade	32
Inspections and Maintenance by Dealer	32
Maintenance chart	33
Parts and controls	35
Specifications	37
Special Accessories	37
Maintenance and Repairs	38
STIHL Incorporated Federal Emission Control Warranty Statement	39
STIHL Incorporated California Exhaust and Evaporative Emissions Control Warranty Statement	41
Trademarks	43

Allow only persons who understand this manual to operate your edger.

To receive maximum performance and satisfaction from your STIHL edger, it is important that you read and understand the maintenance and safety precautions, starting on page 3, before using your edger.

Contact your STIHL dealer or the STIHL distributor for your area if you do not understand any of the instructions in this manual.

Warning!

Because an edger is a high-speed cutting tool some special safety precautions must be observed to reduce the risk of personal injury.

Careless or improper use may cause serious or even fatal injury. Make sure your unit is equipped with the proper deflector and handle for the type of cutting attachment being used. Always wear proper eye protection.

STIHL's philosophy is to continually improve all of its products. As a result, engineering changes and improvements are made from time to time. If the operating characteristics or the appearance of your edger differs from those described in this manual, please contact your STIHL dealer for information and assistance.

STIHL[®]

Guide to Using this Manual

Pictograms

All the pictograms attached to the machine are shown and explained in this manual.

The operating and handling instructions are supported by illustrations.

Symbols in text

The individual steps or procedures described in the manual may be marked in different ways:

- A bullet marks a step or procedure without direct reference to an illustration.


A description of a step or procedure that refers directly to an illustration may contain item numbers that appear in the illustration.


Example:


Loosen the screw (1)


Lever (2) ...

In addition to the operating instructions, this manual may contain paragraphs that require your special attention. Such paragraphs are marked with the symbols described below:

 Warning where there is a risk of an accident or personal injury or serious damage to property.

 Caution where there is a risk of damaging the machine or its individual components.

 Note or hint which is not essential for using the machine, but may improve the operator's understanding of the situation and result in better use of the machine.

 Note or hint on correct procedure in order to avoid damage to the environment.

* Equipment and features

This instruction manual may refer to several models with different features. Components that are not installed on all models and related applications are marked with an asterisk (*). Such components may be available as special accessories from your STIHL dealer.

Engineering improvements

STIHL's philosophy is to continually improve all of its products. As a result, engineering changes and improvements are made from time to time. If the operating characteristics or the appearance of your machine differ from those described in this manual, please contact your STIHL dealer for assistance.

Therefore some changes, modifications and improvements may not be covered in this manual.

Safety Precautions



Warning!

Because an edger is a high-speed, fast-cutting power tool, special safety precautions must be observed to reduce the risk of personal injury.



It is important that you read, fully understand and observe the following safety precautions and warnings. Save this owner's manual and read the safety instructions periodically. Be thoroughly familiar with the controls and the proper use of the equipment. Know how to stop the unit and disengage the controls quickly. Careless or improper use of any edger may cause serious or fatal injury.

Have your STIHL dealer show you how to operate your edger. Observe all applicable local safety regulations, standards and ordinances.



Warning!

The use of any edger may be hazardous. If the rotating cutting tool comes in contact with your body, it will cut you. When it comes in contact with solid foreign objects such as rocks or bits of metal, it may fling them directly or by ricochet in the direction of bystanders or the operator.

Striking such objects could damage the cutting attachment and may cause blades to crack, chip or break. Thrown objects or damaged blades may result in serious or fatal injury to the operator or bystanders.



Warning!

Minors should never be allowed to use an edger. Bystanders, especially children and animals should not be allowed in the area where an edger is in use.

Never let the edger run unattended.



Warning!

Do not lend or rent your edger without the owner's manual. Be sure that anyone using your edger understands the information contained in this manual.

Most of these safety precautions and warnings apply to the use of all STIHL edgers. Different models may have different parts and controls. See the appropriate section of your owner's manual for a description of the controls and function of the parts of your model edger.

Safe use of an edger involves

1. the operator
2. the edger
3. the use of the edger.

Save these instruction !

THE OPERATOR!

Physical Condition

You must be in good physical condition and mental health and not under the influence of any substance (drugs, alcohol, etc.) which might impair vision, dexterity or judgment. Do not operate an edger when you are fatigued.

Be alert - if you get tired while operating your edger, take a break.

Tiredness may result in loss of control. Working with any edger can be strenuous. If you have any condition that might be aggravated by strenuous work, check with your doctor before operating an edger.

Warning!

Prolonged use of an edger (or other machines) exposing the operator to vibrations may produce whitefinger disease (Raynaud's phenomenon) or carpal tunnel syndrome. These conditions reduce the hand's ability to feel and regulate temperature, produce numbness and burning sensations and may cause nerve and circulation damage and tissue necrosis.

All factors which contribute to whitefinger disease are not known, but cold weather, smoking and diseases or physical conditions that affect blood vessels and blood transport, as well as high vibration levels and long periods of exposure to vibration are mentioned as factors in the development of whitefinger disease. In order to reduce the risk of whitefinger disease and carpal tunnel syndrome, please note the following:

- Most STIHL power tools are available with an anti-vibration ("AV") system designed to reduce the transmission of vibrations created by the engine to the operator's hands. An AV system is recommended for those persons using power tools on a regular or sustained basis.

- Wear gloves and keep your hands warm.
- Keep the AV system well maintained. An edger with loose components or with damaged or worn AV buffers will tend to have higher vibration levels.
- Maintain a firm grip at all times, but do not squeeze the handles with constant, excessive pressures, take frequent breaks.

All the above mentioned precautions do not guarantee that you will not sustain whitefinger disease or carpal tunnel syndrome. Therefore continual and regular users should monitor closely the condition of their hands and fingers. If any of the above symptoms appear, seek medical advice immediately.

Warning!

The ignition system of your unit produces an electromagnetic field of a very low intensity. This field may interfere with some pacemakers. To reduce the risk of serious or fatal injury, persons with a pacemaker should consult their physician and the pacemaker manufacturer before operating this tool.

Proper Clothing

Warning!



Edger operation can cause serious injury to eyes, ears and person. The deflector and skirt provided with your edger may not protect the

operator from all foreign objects (gravel, glass, wire, etc.) thrown by the rotating cutting attachment. Thrown objects may also ricochet and strike the operator. To reduce the risk of injury to your eyes never operate an edger unless wearing goggles or properly fitted safety glasses with adequate top and side protection complying with ANSI Z 87.1 (or your applicable national standard).

To reduce the risk of injury to your face STIHL recommends that you also wear a face shield or face screen over your goggles or safety glasses.

Warning!



Edger noise may damage your hearing. Wear sound barriers (ear plugs or ear muffs) to protect your hearing. Continual and regular users should have

their hearing checked regularly.

Wear proper protective clothing.



Protect your hands with gloves when handling the edger and the cutting tool. Heavy-duty, nonslip gloves improve your grip and protect your hands.



Clothing must be sturdy and snug-fitting, but allow complete freedom of movement. Avoid loose-fitting jackets, scarfs, neckties, jewelry, flared or

cuffed pants, unconfined long hair or anything that could become caught on branches, brush or moving parts of the unit. Wear long pants made of heavy material to protect your legs. Do not wear shorts.



Good footing is most important in edger work. Wear sturdy boots with nonslip soles. Do not operate edger when barefoot or wearing open sandals. Steel-toed safety boots are recommended.



Wear an approved safety hard hat to reduce the risk of injury to your head when there is a danger of head injuries.

THE EDGER

For illustrations and definitions of the edger parts see the chapter on "Parts and Controls"!

Warning!

Never modify an edger in any way. Only attachments supplied by STIHL or expressly approved by STIHL for use with the specific STIHL edger models are authorized. Although certain unauthorized attachments are useable for the STIHL edger, their use may, in fact, be extremely dangerous.

THE USE OF THE EDGER

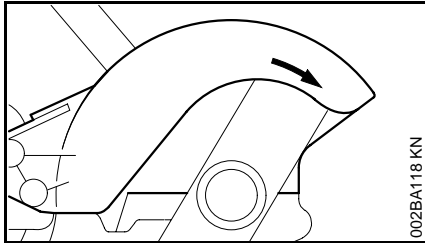
Transporting the edger

Warning!

Always turn off the engine and make sure the cutting attachment has stopped before putting an edger down. When transporting your edger in a vehicle, properly secure it to prevent turnover, fuel spillage and damage to the edger.

Preparation for the use of the edger

Adjust carrying harness and hand grip to suit your size before starting work. The machine should be properly balanced as specified in your owner's manual for proper control and less fatigue in operation.



Always check your edger for proper condition and operation before starting, particularly the throttle trigger, throttle trigger interlock (and if applicable, stop switch, cutting tool, deflector and harness). An **arrow** on the deflector shows the correct direction of rotation of the cutting blade.

The **arrow** on the deflector must always face away from you, so that cuttings and other debris will be diverted away from the machine and your position (see chapter "Working Techniques").

The throttle trigger must move freely and always spring back to the idle position. The cutting tool must be properly tightened and in safe operating condition. Inspect for loose parts (nuts, screws, etc.) and for cracked, bent, warped or damaged blades.

Fueling

Your STIHL edger uses an oil-gasoline mixture for fuel (see the chapter on "Fuel" of your owner's manual).

Warning!



Gasoline is an extremely flammable fuel. If spilled or ignited by a spark or other ignition source, it can cause fire and serious burn injury or property

damage. Use extreme caution when handling gasoline or fuel mix.

Do not smoke or bring any fire or flame near the fuel.

Fueling Instructions

Fuel your edger in well-ventilated areas, outdoors. Use a fuel container acceptable for the purpose.

Warning!

Never attempt to fuel a running or hot engine. Gasoline vapor pressure may build up inside the gas tank depending on the fuel used, the weather conditions, and the venting system of the tank. In order to reduce the risk of burns or other personal injury from escaping gas vapor and fumes, remove the fuel filler cap on your edger carefully so as to allow any pressure build-up in the tank to release slowly. Never remove fuel filler cap while engine is running.

Select bare ground for fueling and move at least 10 feet (3 m) from the fueling spot before starting the engine.

Replace fuel filler cap securely and check for tightness.

Wipe off any spilled fuel before starting your edger and check for leakage.

⚠ Warning!

Check for fuel leakage while refueling and during operation. If fuel or oil leakage is found, do not start or run the engine until leak is fixed and spilled fuel has been wiped away.

Move at least 10 feet (3 m) from spot of leakage before starting. Take care not to get fuel on your clothing. If this happens, change your clothing immediately.

Different models may have different fuel caps.

Cap with Grip**⚠ Warning!**

In order to reduce the risk of fuel spillage and fire from an improperly tightened fuel cap, correctly position and tighten the fuel cap in the fuel tank opening.



To do this with this STIHL cap, raise the grip on the top of the cap until it is upright at a 90° angle.

Insert the cap in the fuel tank opening with the triangular marks on the grip of the cap and on the fuel tank opening lining up. Using the grip, turn the cap firmly clockwise as far as it will go (approx. a quarter turn).



Fold the grip flush with the top of the cap. If the grip does not lie completely flush with the cap and the detent on the grip does not fit in the

corresponding recess in the filler neck, the cap is not properly seated and tightened and you must repeat the above steps.

Screw Cap**⚠ Warning!**

Unit vibrations can cause an improperly tightened fuel filler cap to loosen or come off and spill quantities of fuel. In order to reduce the risk of fuel

spillage and fire, tighten the fuel filler cap by hand with as much force as possible.

Starting

Warning!

Your edger is a one-person machine.

Once started, it may fling foreign objects for a great distance.



To reduce the risk of eye and other injury insure that bystanders are at least 50 feet (15 m) away. Stop the engine and cutting tool immediately if you are approached.

Start and operate your edger without assistance. For specific starting instructions, see the appropriate section of your manual.

Place the edger on firm ground or other solid surface in an open area. Maintain a good balance and secure footing. To reduce the risk of injury from loss of control, be absolutely sure that the cutting tool is clear of you and all other obstructions and objects, including the ground, because when the engine starts at starting-throttle, engine speed will be fast enough for the clutch to engage and turn the cutting tool.

When you pull the starter grip, don't wrap the starter rope around your hand. Do not allow the grip to snap back, but guide the starter rope to rewind properly. Failure to follow this procedure may result in injury to hand or fingers and may damage the starter mechanism.

Catalytic converter

Warning!



Some STIHL edger models are equipped with a catalytic converter, which is designed to reduce the exhaust emissions of the engine by a chemical process in the muffler. Due to this process, the muffler does not cool down as rapidly as conventional mufflers when the engine returns to idle or is shut off. To reduce the risk of fire and burn injuries, the following specific safety precautions must be observed.

Warning!

Since a muffler with a catalytic converter cools down less rapidly than conventional mufflers, always set your edger down in the upright position and never locate it where the muffler is near dry brush, grass, wood chips or other combustible materials while it is still hot. Let the engine cool down sitting on concrete, metal, bare ground or solid wood (e.g. the trunk of a felled tree) away from any combustible substances.

Warning!

To reduce the risk of fire or burn injury, let the unit cool down before refueling your edger after use.

Warning!

Never disassemble or modify your muffler. The muffler could be damaged and cause an increase in heat radiation or sparks, thereby increasing the risk of fire or burn injury. You may also permanently damage the engine. Have your muffler serviced and repaired by your STIHL Servicing Dealer only.

⚠ Warning!

To reduce the risk of fire or burn injury, keep the area around the muffler clean. Remove all debris such as pine needles, branches or leaves.

⚠ Warning!

An improperly mounted or damaged cylinder housing or a damaged/ deformed muffler shell may interfere with the cooling effect of the catalytic converter. To reduce the risk of fire or burn injury, do not continue work with a damaged or improperly mounted cylinder housing or a damaged/ deformed muffler shell. Your catalytic converter is furnished with screens designed to reduce the risk of fire from the emission of hot particles. Due to the heat from the catalytic reaction, these screens will normally stay clean and need no service or maintenance. If you experience loss of performance and you suspect a clogged screen, have your muffler maintained by a STIHL Servicing Dealer.

Working Conditions

Operate and start your edger only outdoors in a well ventilated area.

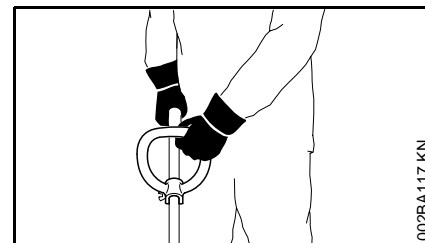
⚠ Warning!

Your edger produces toxic exhaust fumes as soon as the engine is running. These gases (e.g. carbonmonoxide) may be colorless and odorless. To reduce the risk of serious or fatal injury from inhaling toxic fumes, never run the edger indoors or in poorly ventilated locations.

⚠ Warning!

Use of this product can generate dust and fumes containing chemicals known to cause respiratory disease, cancer, birth defects, or other reproductive harm. If you are unfamiliar with the risks associated with the particular dust or fume at issue, consult your employer, governmental agencies such as OSHA and NIOSH and other sources on hazardous materials. California and some other authorities, for instance, have published lists of substances known to cause cancer, reproductive toxicity, etc.

Control dust and fumes at the source where possible. In this regard use good work practices and follow the recommendations of OSHA/NIOSH and occupational and trade associations. When the inhalation of toxic dust and fumes cannot be eliminated, the operator and any bystanders should always wear a respirator approved by NIOSH/MSHA for the type of dust and / or fumes encountered.



002BA117 KN

Operate the edger under good visibility and daylight conditions only. Work carefully.

Always hold the edger firmly with both hands. Wrap your fingers tightly around the handles, keeping the handles cradled between your thumb and forefinger. Keep your hands in this position to have your edger under control at all times.

Make sure your edger handles and grip are in good condition and free of moisture, pitch, oil or grease.

⚠ Warning!

Never attempt to operate any edger with one hand. Loss of control of the edger resulting in serious or fatal injury may result.

Special care must be taken in slippery conditions (wet ground, snow) and in difficult, over-grown terrain. Watch for hidden obstacles such as tree stumps, roots and ditches to avoid stumbling.

Stay alert for uneven side walks, holes in terrain or other similiar conditions when using your edger. Always push slowly over rough ground. Do not abuse your edger.

⚠ Warning!



Before cutting, inspect and clear the area of stones, glass, pieces of metal, trash or other solid objects. The cutting attachment could throw

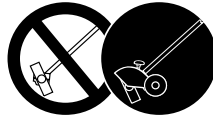
objects of this kind and cause personal injury.

Do not use edger on gravel surfaces.

⚠ Warning!

Never divert discharge of material toward bystanders nor allow anyone near the area of operation. Use care in directing discharge to avoid glass enclosures, automobiles, and the like.

⚠ Warning!



To reduce the risk of injury from thrown objects and blade contact, never operate an edger without properly mounted deflector and skirt. Do not overreach. Keep proper footing and balance at all times.

⚠ Warning!



To reduce the risk of injury from blade contact, keep hands and feet away from cutting area.

⚠ Warning!

This edger is normally to be used at ground level with the cutting attachment perpendicular to the ground. Use of an edger above ground level or with the cutting attachment parallel to the ground may increase the risk of injury, since the cutting attachment is more fully exposed and the edger may be more difficult to control. Never use your edger as a hedge trimmer.

⚠ Warning!

When using your edger, avoid cutting close to fences, sides of buildings, tree trunks, stones or other such objects that could cause the edger to kick out or could cause damage to the blade. In addition, be alert to an increased risk of ricochets in such situations.

If the edger strikes a foreign object, follow these steps: stop the engine, disconnect spark plug lead, inspect for damage and repair any damage before restarting and operating the product.

Do not operate using the starting throttle lock as you do not have control of the engine speed. See section of your owner's manual on the proper use of the slide control.

If the cutting tool or deflector becomes clogged or stuck, always turn off the engine, disconnect spark plug lead and make sure the cutting tool has stopped, before cleaning. Keep lead away from spark plug to reduce the risk of unintentional starting. Grass, weeds, etc. should be cleaned off the cutting tool at regular intervals.

Warning!

During cutting, check the tightness and the condition of the cutting tool at regular intervals. If the behavior of the tool changes, stop the engine immediately, and check the nut securing the tool for tightness and the cutting tool for cracks and damage.

If the edger vibrates abnormally, immediately stop the engine and check for the cause. Vibration is generally a warning of trouble. Replace cracked, bent, warped, damaged, excessively worn or dull cutting tools immediately. Such tools may shatter at high speed and cause a serious or fatal injury.

Warning!

A loose nut may cause the blade to vibrate, crack, break or come off the edger, which may result in serious or fatal injury. Make sure that the blade is properly tightened. Use the wrench supplied or one of sufficient length to obtain the proper torque. If the blade loosens after being properly tightened, stop work immediately. The retaining nut may be worn or damaged and should be replaced.

Never use unauthorized parts to secure the blade. Failure to use the proper parts may cause the blade to fly off and seriously injure the operator or bystanders. If the blade continues to loosen, see your STIHL dealer. Do not attach any blade to a unit without proper installation of all required parts. Never use an edger with a loose blade.

Warning!

Never touch a rotating cutting tool with your hand or any part of your body. The tool continues to rotate for a short period after the throttle trigger is released (flywheel effect).

Important adjustments

Warning!

At correct idle speed, the cutting tool should not turn. For directions on how to adjust idle speed, see the appropriate section of your owner's manual.

Do not use an edger with incorrect idle speed adjustment. You may adjust the idle speed yourself according to the instructions in your manual. If you cannot set the correct idle speed, have your STIHL dealer check your edger and make proper adjustments or repairs.

Operating instructions

Use only for edging in grass, weeds and soft green plants.

Warning!

During operation, follow all safety precautions mentioned in the important safety precaution section of this manual. Improper use of any edger can cause serious or fatal personal injury.

In order to reduce risk of eye injury always wear proper eye protection and operate product from position where guards or deflector blocks the line of sight to the cutting tool.

Stop the engine whenever you leave the operating position.

Maintenance, Repair and Storing
Maintenance, replacement, or repair of the emission control devices and systems may be performed by any nonroad engine repair establishment or individual. However if you claim warranty for a component which has not been serviced or maintained properly or if nonapproved replacement parts were used, STIHL may deny warranty.

Use only identical STIHL replacement parts for maintenance and repair. Use of parts manufactured by others may cause serious or fatal injury.

Follow the maintenance and repair instructions in the appropriate section of your owner's manual. Please refer to the maintenance chart at the last pages of this manual.

Warning!

Always stop the engine, disconnect the spark plug lead and make sure that the cutting tool is stopped before doing any maintenance or repair work or cleaning the edger.

Keep lead away from spark plug to reduce the risk of unintentional starting. Never attempt to make any adjustments while the engine is running (except where specifically recommended in this manual).

Do not attempt any maintenance or repair work not described in your owner's manual. Have such work performed at your STIHL service shop only. Do not modify the engine governor or overspeed the engine.

Never repair damaged cutting attachments by welding, straightening or modifying the shape. This may cause parts of the cutting tool to come off and result in serious or fatal injuries.

Check condition of cutting tool at regular short intervals. If behavior of tool changes, check it immediately for tightness or any signs of cracks in particular. Replace damaged or dull cutting tools immediately, even if they have only superficial cracks.

Check fuel filler cap for leaks at regular intervals. Use the specified spark plug and make sure it and the ignition lead are always in good condition.

Working Techniques

Warning!

A worn or damaged muffler is a fire hazard and may cause loss of hearing. Check to see that the muffler is in good condition. The edger must not be operated if the muffler is not functioning properly or has been removed. Remember that the risk of forest fires is greater in hot weather.

Use the spark arresting muffler supplied with the unit. Never touch a hot muffler or burn will result.

Warning!

In order to reduce the risk of fire, do not modify or remove any part of the muffler or spark arrestor.

Tighten all nuts, bolts and screws except the carburetor adjustment screws after each use.

Keep spark plug and wire connection tight and clean. The spark plug electrode gap should be checked with a feeler gauge at least every 50 operating hours and reset if necessary. Fit a new spark plug if the electrodes are badly pitted.

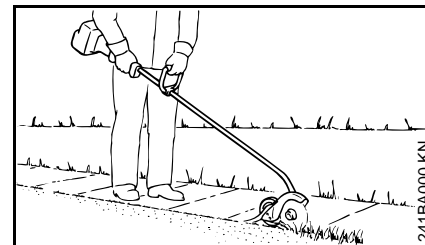
Additionally, the daily maintenance schedule for your edger set forth in your STIHL Owner's Manual should be strictly followed.

For any maintenance please refer to the maintenance chart **and to the warranty statement** near the end of this manual.

Store edger indoors in a dry, high or locked location out of reach of children.

Before storing for longer than a few days, always empty the fuel tank.

Never store the machine with fuel in the fuel tank inside a building where fumes may reach an open flame or sparks, or in a confined area such as a car trunk.

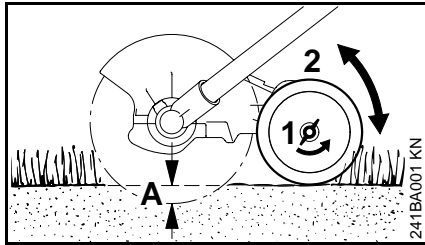


Your power edger is designed to produce sharp contoured borders around lawns and flower beds. It will cut almost all types of grass, weeds and soft green plants.

Preparations

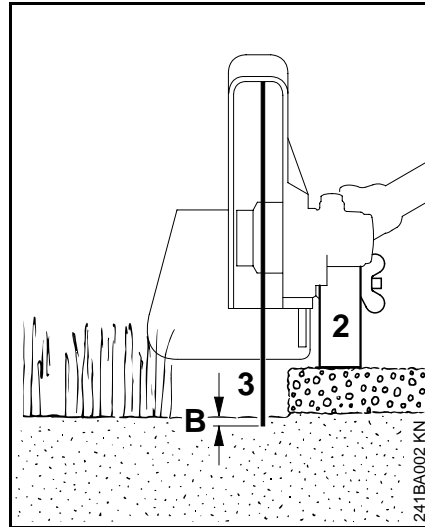
If the soil is very dry, spray it with water before you start work: this softens the soil a little and also reduces the amount of dust created. Slightly damp green plants are easier to cut.

- Inspect the work area and clear away any obstacles (stones, gravel, glass, etc.) to reduce the risk of injury from thrown objects.
- Plan the best route for edging, i.e. starting point, changes in direction, etc. Always hold and operate your edger on the right-hand side of the body.



Adjusting the depth of cut

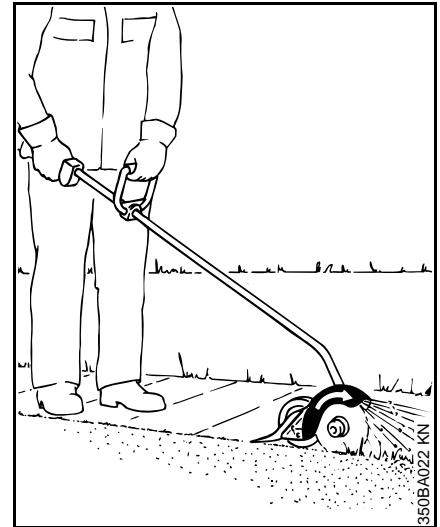
- Shut off the engine and wait for the cutting blade to come to a complete standstill.
- Loosen wingnut (1) counterclockwise
- Adjust wheel (2):
Upwards
to increase depth of cut (A).
Downwards
to reduce depth of cut (A).



Adjust correctly

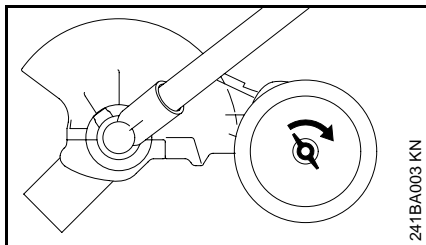
The depth of cut varies, depending on unevenness of the ground, your height and the way you hold the edger.

- Use the following procedure:
Adjust the wheel (2) so that the cutting blade (3) just touches the ground or breaks the surface of the soil by no more than 0,2" (5 mm) (B) in the normal working position.



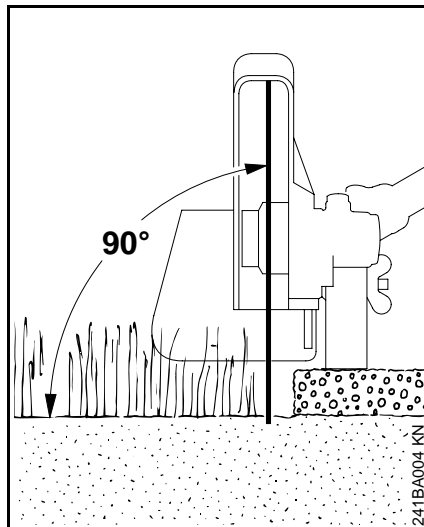
⚠ Do not adjust the deflector!

The deflector has been set by the manufacturer so that the arrow on the deflector and the open side point away from the operator. This ensures that cuttings and other debris will be directed away from the machine and operator.



241BA003 KN

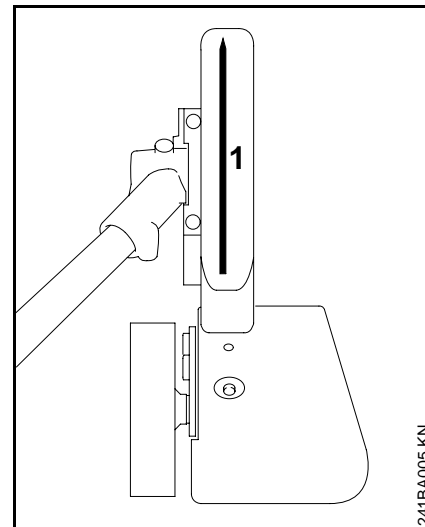
- Tighten wingnut clockwise.
- Standing in the normal working position, check the depth of cut again and correct it if necessary.



241BA004 KN

Edging

- Start the engine.
- Start the cut at half throttle and continue cutting at full throttle.
- Hold and guide the unit so that the blade is vertical.
- Cut steadily so that the engine speed does not decline to any major extent – do not apply force!
- Cut at a normal walking pace.
- Do not push the blade into the ground!

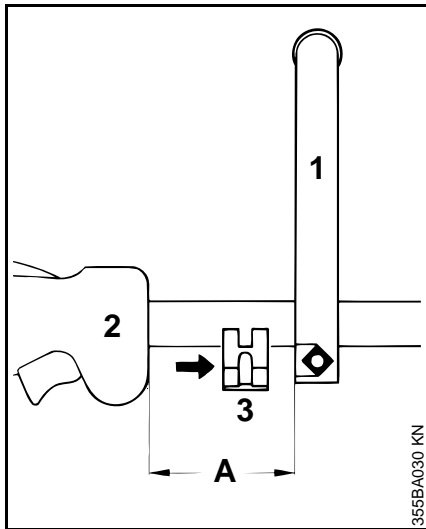


241BA005 KN

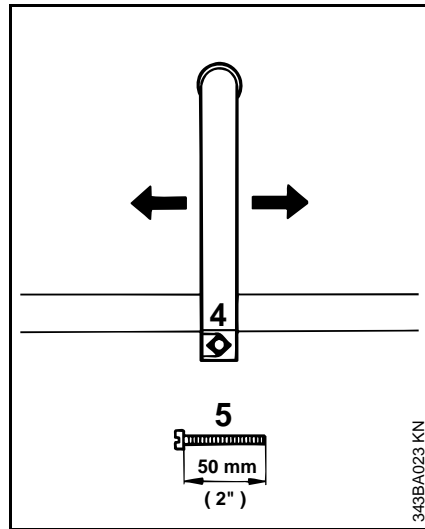
- Always walk forwards when cutting, do not pull the unit towards you.
- Cut at a steady pace to avoid having to make several passes.

1 = Gunning sight for cutting blade.

Mounting the Loop Handle



- Fit the loop handle (1) on the drive tube 8" / 20 cm (A) forward of the control handle (2).
- Position the clamp (3) against the drive tube and slide it into the loop handle.

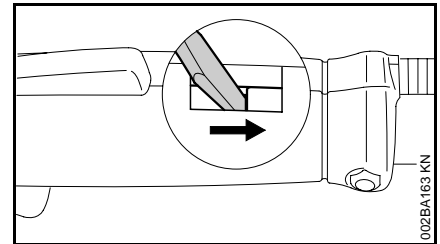


- Fit square nut (4) in the loop handle, insert the clamp screw (5) from the other side and tighten down securely.
- Adjusting loop handle to most comfortable position:**
- Release clamp screw (5).
 - Move the loop handle along the drive tube as required - retighten the clamp screw.

Adjusting the Throttle Cable

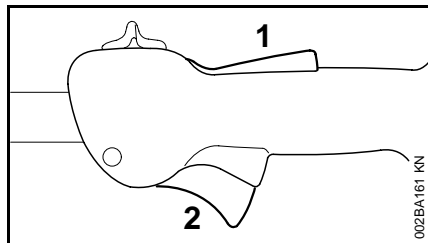
💡 A properly adjusted throttle cable is the precondition for correct operation in the full throttle, starting throttle and idle positions.

Adjust the throttle cable only after the unit is fully assembled

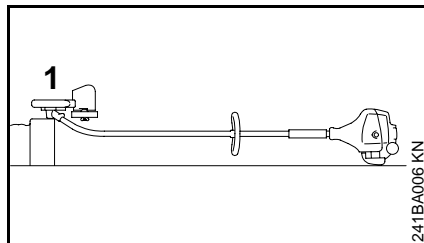


- Use a suitable tool to push the slide to the bottom of the slot

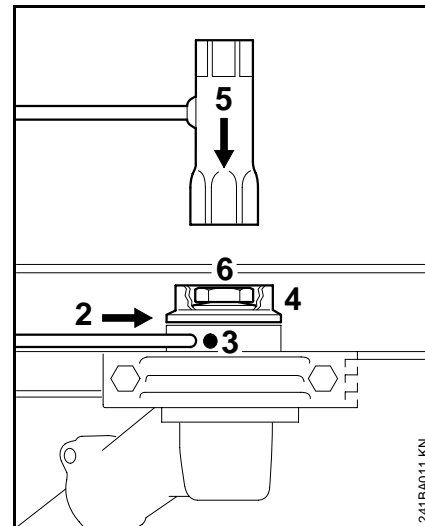
Fitting the Edger Blade



- Press down the trigger interlock (1) and squeeze the throttle trigger (2) (full throttle) – this sets the throttle cable correctly.



- Place the power edger on a suitable support so that the blade mounting (1) faces upwards.

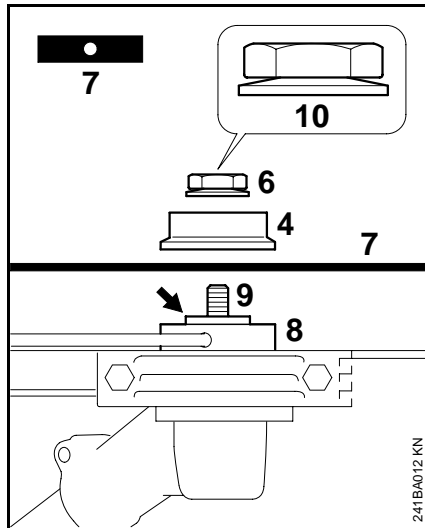


- Insert stop pin* or offset screwdriver* (2) as far as possible in the bore (3) – push lightly and rotate it back and forth **together** with the thrust washer (4) until the drive shaft is blocked.
- Fit combination wrench (5) on the nut (6).
- Loosen and remove the nut clockwise (left-hand thread).
- Remove the thrust washer.

* see "Guide to Using this Manual"

4-MIX Engine

Fuel



The **STIHL 4-MIX engine** features gas oil lubrication and must be run on a **fuel mixture** of gasoline and engine oil.

It operates otherwise on the 4-stroke principle.

This engine is certified to operate on unleaded gasoline and the STIHL two-stroke engine oil at a mix ratio of 50:1.

Your engine requires a mixture of high-quality gasoline and quality two-stroke air cooled engine oil.

Use mid-grade unleaded gasoline with a minimum octane rating of 89 (R+M/2). If the octane rating of the mid-grade gasoline in your area is lower, use premium unleaded fuel.

Fuel with a lower octane rating may increase engine temperatures. This, in turn, increases the risk of piston seizure and damage to the engine.

The chemical composition of the fuel is also important. Some fuel additives not only detrimentally affect elastomers (carburetor diaphragms, oil seals, fuel lines, etc.), but magnesium castings and catalytic converters as well. This could cause running problems or even damage the engine. For this reason STIHL recommends that you use only nationally recognized high-quality unleaded gasoline!

- Position blade (7) on the thrust plate (8).
- ⚠ Collar (**see arrow**) must engage hole in blade.
- Fit thrust washer (4) on the shaft (9).
- Block the shaft.
- Screw the nut (6) on to the shaft counterclockwise and tighten down firmly.
- ⚠ If the cup spring (10) on the nut (6) becomes fatigued, install a new nut.

Fueling

Use only STIHL two-stroke engine oil or equivalent high-quality two-stroke engine oils that are designed for use only in air cooled two-cycle engines.

We recommend STIHL 50:1 two-stroke engine oil since it is specially formulated for use in STIHL engines.

Do not use BIA or TCW rated (two-stroke water cooled) mix oils or other mix oils that state they are for use in both water cooled and air cooled engines (e.g., outboard motors, snowmobiles, chainsaws, mopeds, etc.).

Take care when handling gasoline. Avoid direct contact with the skin and avoid inhaling fuel vapor. When filling at the pump, first remove the canister from your vehicle and place the canister on the ground before filling. Do not fill fuel canisters that are sitting in or on a vehicle.

The canister should be kept tightly closed in order to avoid any moisture getting into the mixture.

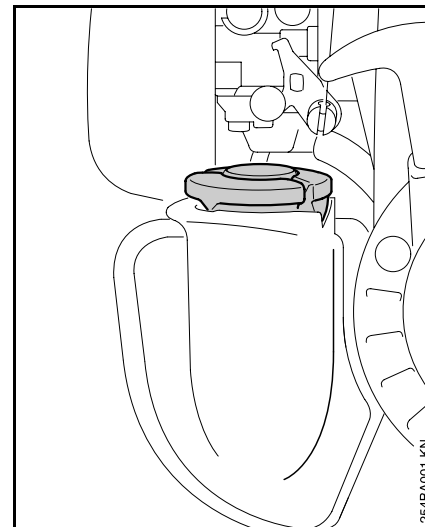
The machine's fuel tank and the canister in which fuel mix is stored should be cleaned as necessary.

Fuel mix ages

Only mix sufficient fuel for a few days work, not to exceed 3 months of storage. Store in approved fuel-canisters only. When mixing, pour oil into the canister first, and then add gasoline. Close the canister and shake it vigorously by hand to ensure proper mixing of the oil with the fuel.

Gasoline	Oil (STIHL 50:1 or equivalent high-quality oils)
US gal.	US fl.oz
1	2.6
2 1/2	6.4
5	12.8

Dispose of empty mixing-oil canisters only at authorized disposal locations.



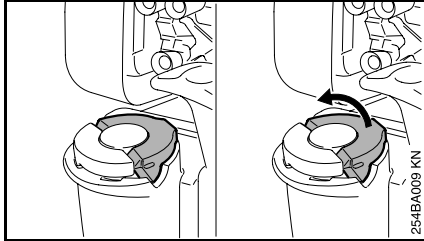
Before fueling, clean the filler cap and the area around it to ensure that no dirt falls into the tank.

Always thoroughly shake the mixture in the canister before fueling your machine.

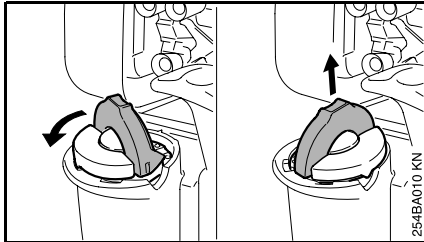
⚠ In order to reduce the risk of burns or other personal injury from escaping gas vapor and fumes, remove the fuel filler cap carefully so as to allow any pressure build-up in the tank to release slowly.

Starting / Stopping the Engine

Opening the cap

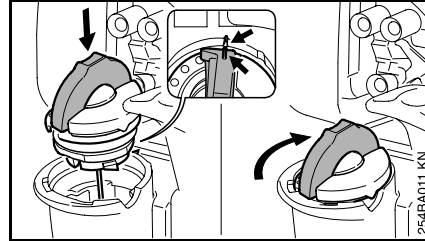


- Raise the grip until it is upright.

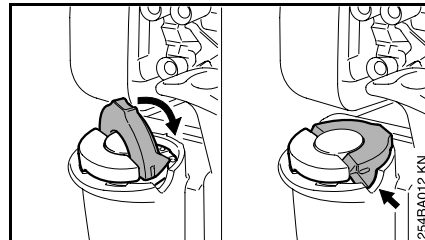


- Turn the cap counterclockwise (approx. a quarter turn).
- Remove the filler cap.

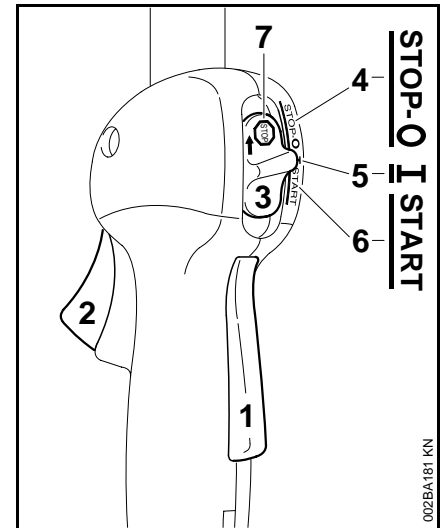
Closing the cap



- Fit the cap – grip upright – marks must line up.
- Turn the cap clockwise as far as stop (approx. a quarter turn).



- Fold the grip flush with the top of the cap.
- If the grip does not lie completely flush with the cap and the detent on the grip does not engage the recess in the filler neck, the cap is not properly seated and tightened and you must repeat the above steps.



Controls

Control handle on bike handle

Throttle trigger interlock (1)

Throttle trigger (2)

Slide control (3)

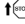
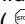
Positions of slide control

STOP-O (4) – engine off – the ignition is switched off.

I – normal run position (5) – the engine is running or can start.

START (6) – the ignition is switched on – the engine can start.

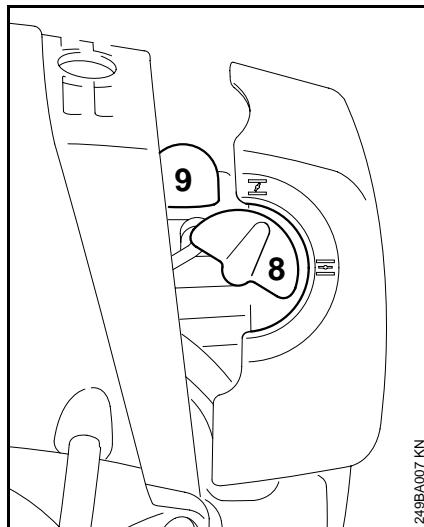
Symbol on slide control



-  (7) – stop symbol and arrow. To stop the engine, move the slide control in direction of arrow () to **STOP-O**

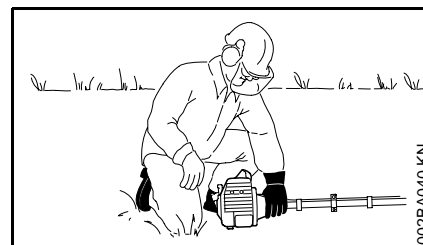
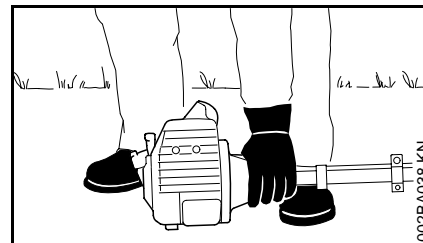
Starting


- Hold down the throttle trigger interlock and squeeze the throttle trigger.
- While holding both levers in this position.
- Move the slide control to **START** and hold it there.

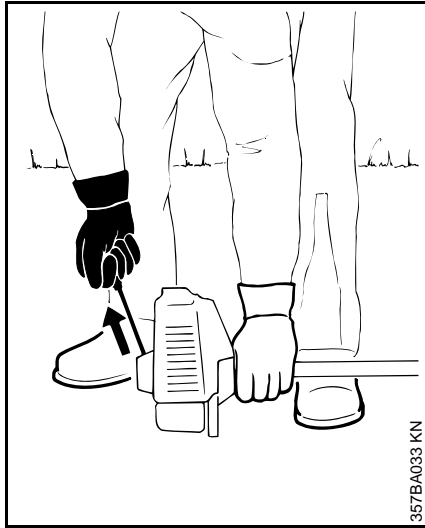
Now release the throttle trigger, slide control and trigger interlock in that order. This is the **starting throttle position**.




- Set the choke knob (8):
For cold start to 
For warm start to 
 even if engine has been running but is still cold
- Press fuel pump bulb (9) at least five times – even if the bulb is already filled with fuel.



- Place the unit on the ground: It must rest securely on the engine support and deflector. Check that the cutting tool is not touching the ground or any other obstacles.
- Make sure you have a firm footing.
- Hold the unit with your left hand and press it down **firmly** – your thumb should be under the fan housing.
-  Do not stand or kneel on the drive tube!



- Pull the starter grip slowly with your right hand until you feel it engage and then give it a brisk strong pull. Do not pull out the starter rope to full length – it might otherwise break.
- Do not let the starter grip snap back. Guide it slowly back into the housing so that the starter rope can rewind properly.


- Crank engine until it begins to fire. After no more than **five attempts**, turn the choke knob to .
- continue cranking.

When the engine begins to fire:

- Blip the throttle trigger so that the slide control moves to the normal run position **I** and the engine settles down to idle speed.
- 💡 Make sure the carburetor is correctly adjusted – the cutting tool must not rotate when the engine is idling.

Your machine is now ready for operation.

Motor abstellen

- Kombischieber in Richtung des  – Pfeiles auf **STOP-O** schieben


At very low outside temperatures


As soon as engine runs:

- Blip the throttle trigger to disengage the starting throttle position. The slide control moves to the normal run position **I** and the engine settles down to idle speed.
- Open the throttle slightly.
- Warm up engine for brief period.

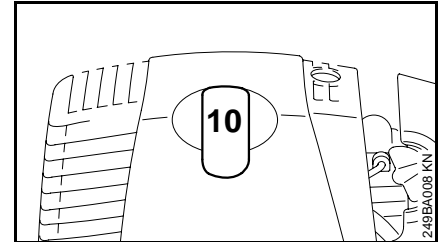
If the engine does not start

Choke knob

If you did not turn the choke knob to  quickly enough after the engine began to fire, the combustion chamber has flooded.

- Turn choke knob to .
- Select starting throttle position.
- Start the engine by pulling the starter rope firmly. 10 to 20 pulls may be necessary.

If the engine still does not start:



- Move the slide control to **STOP-O**.
- Pull off the spark plug boot (**10**).

Operating Instructions

- Unscrew and dry off the spark plug.
- Open the throttle wide.
- Crank the engine several times with the starter to clear the combustion chamber.
- Refit the spark plug.
- Connect the spark plug boot (press it down firmly).
- Move the slide control to **START**.
- Set the choke knob to $\overline{\text{I}}$ – even if engine is cold.
- Now start the engine.

Throttle cable adjustment

- Check adjustment of throttle cable – see "Adjusting the Throttle Cable".

Tank run until dry

- After refueling, press the fuel pump bulb at least five times – even if bulb is filled with fuel.
- Set choke knob according to engine temperature.
- Now start the engine.

During break-in period

A factory new machine should not be run at high revs (full throttle off load) for the first three tank fillings. This avoids unnecessary high loads during the break-in period. As all moving parts have to bed in during the break-in period, the frictional resistances in the engine are greater during this period. The engine develops its maximum power after about 5 to 15 tank fillings.

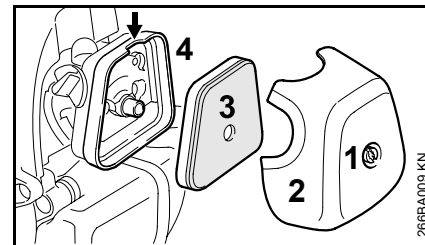
During operation

After a long period of full-throttle operation, allow engine to run for a while at idle speed so that the heat in the engine can be dissipated by flow of cooling air. This protects engine-mounted components (ignition, carburetor) from thermal overload.

After finishing work

Wait for engine to cool down. Drain the fuel tank. Store the machine in a dry place. Check tightness of nuts and screws (not adjusting screws) at regular intervals and retighten as necessary.

Cleaning the Air Filter



Dirty air filters reduce engine power, increase fuel consumption and make starting more difficult.

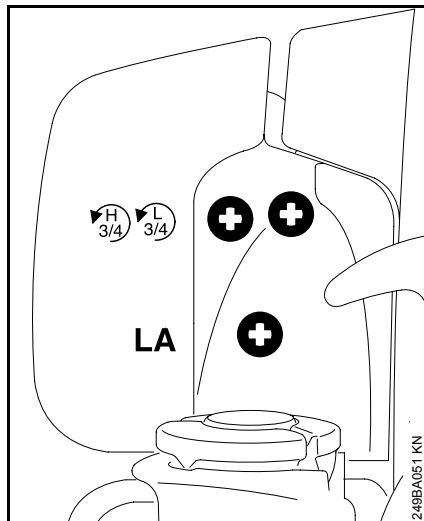
If there is a noticeable loss of engine power:

- Set the choke knob to $\overline{\text{I}}$.
- Take out the screw (1) and remove the filter cover (2).
- Clean away loose dirt from around the filter.
- Grip the filter element (3) at the notch (arrow) in the filter housing (4) and take it out.
- Fit a new filter element. As a temporary measure you can knock it out on the palm of your hand or blow it out. **Do not wash.**
- Replace any damaged parts.
- Install filter element in the filter housing.
- Refit the filter cover.
- Insert the screw and tighten it down firmly.

Motor Management

Exhaust emissions are controlled by the design of the fundamental engine parameters and components (e.g. carburation, ignition, timing and valve or port timing) without the addition of any major hardware.

Adjusting the Carburetor



The carburetor comes from the factory with a standard setting.

This setting provides an optimum fuel-air mixture under most operating conditions.

With this carburetor it is only possible to adjust the engine idle speed within fine limits.

Standard Setting

- Shut off the engine.
- Mount cutting tool or attachment.
- Check the air filter – clean or replace if necessary.
- Check adjustment of the throttle cable and readjust if necessary – see "Adjusting the Throttle Cable".
- Check the spark arresting screen (not installed in all countries) and clean or replace if necessary.
- Carefully screw both adjusting screws clockwise down onto their seats.
- Open high speed screw (**H**) $\frac{3}{4}$ turn.
- Open low speed screw (**L**) $\frac{3}{4}$ turn.
- Start and warm up the engine
- Adjust idle speed with the idle speed screw (**LA**) so that the tool does not rotate.

Fine Tuning

A slight correction of the setting of the high speed screw **(H)** may be necessary if engine power is not satisfactory when operating at high altitude or at sea level or after changing the tool.

Rule of thumb


- Turn high speed screw **(H)** about a quarter turn for every 1000m (3300 ft) change in altitude.
- Carry out standard setting.
- Warm up engine for about 3 minutes.
- Open the throttle wide

At high altitude

- Turn high speed screw **(H)** clockwise (leaner) no further than stop until there is no noticeable increase in engine speed.

At sea level

- Turn high speed screw **(H)** counterclockwise (richer) no further than stop until there is no noticeable increase in engine speed.

 It is possible that maximum engine speed may be reached with the standard setting in each case.

Adjusting Idle Speed

It is usually necessary to change the setting of the idle speed screw **(LA)** after every correction to the low speed screw **(L)**.

- Warm up the engine for about 3 minutes.

Engine stops while idling

- Turn idle speed screw **(LA)** slowly clockwise until the engine runs smoothly – the tool must not rotate.

Cutting tool rotates when engine is idling

- Turn idle speed screw **(LA)** slowly counterclockwise until the tool stops rotating and then turn the screw about another $1/2$ to $3/4$ turn in the same direction.

Erratic idling behavior, engine stops even though setting of LA screw is correct, poor acceleration

Idle setting too lean:

- Turn low speed screw **(L)** counterclockwise (no further than stop) until the engine runs and accelerates smoothly.

Erratic idling behavior

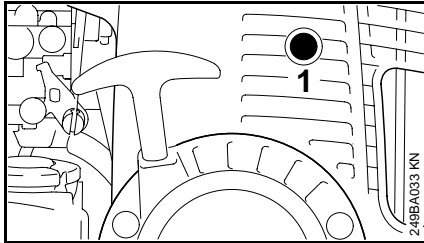
Idle setting too rich:

- Turn low speed screw **(L)** clockwise (no further than stop) until the engine runs and accelerates smoothly.

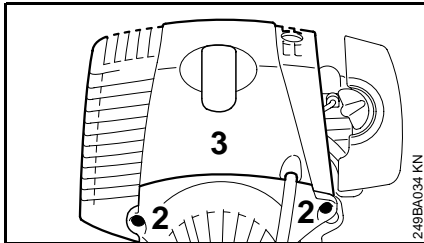
Spark Arresting Screen in Muffler

The spark arresting screen is an option that is not fitted in all machines.

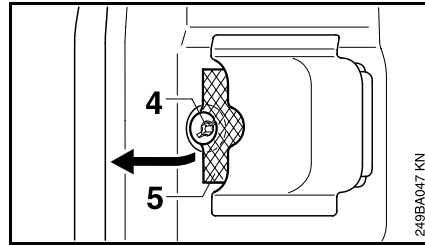
- If the engine is low on power, check the spark arresting screen in the muffler.
- Wait for muffler to cool down.



- Move slide control to **STOP-O**.
- Remove the screw (1).

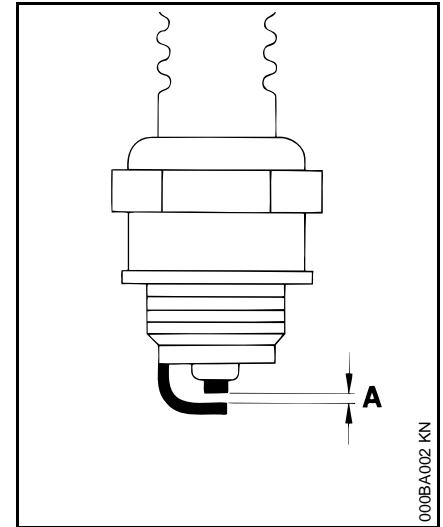


- Remove the screws (2).
- Lift away the shroud (3).



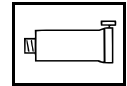
- Remove the screw (4).
- Lift spark arresting screen (5) and pull it out.
- Clean spark arresting screen if necessary – if screen is damaged or coked up, fit a new one.
- Refit the spark arresting screen.
- Insert screw and tighten down.
- Fit the shroud.

Checking the Spark Plug



Wrong fuel mix (too much engine oil in the gasoline), a dirty air filter and unfavorable running conditions (mostly at part throttle etc.) affect the condition of the spark plug. These factors cause deposits to form on the insulator nose which may result in trouble in operation.

Lubricating the Gearbox



If engine is down on power, difficult to start or runs poorly at idling speed, first check the spark plug.

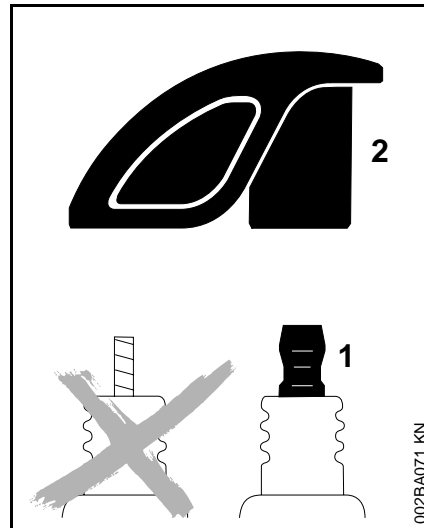
- Remove spark plug as described in chapter "Starting / Stopping the Engine".
- Clean dirty spark plug.
- Check the electrode gap (**A**) and readjust if necessary – see "Specifications".
- Use only resistor type spark plugs of the approved range.

Rectify problems which have caused fouling of spark plug:

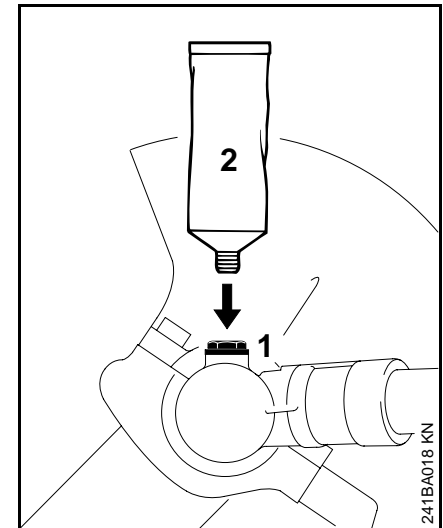
- Too much oil in fuel mix.
- Dirty air filter.
- Unfavorable running conditions, e.g. operating at part load.

Fit a new spark plug after approx. 100 operating hours

or earlier if the electrodes are badly eroded.

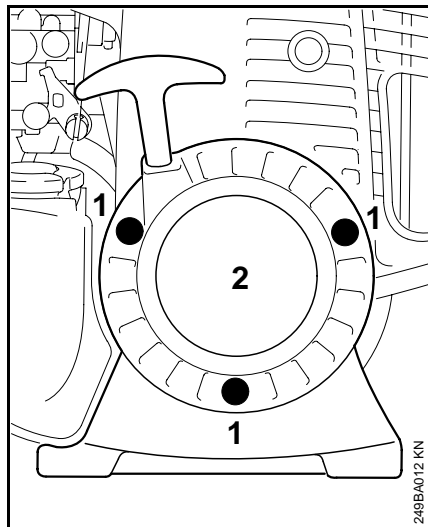


⚠ To reduce the risk of fire and burn injury, use only spark plugs authorized by STIHL. Always press spark plug boot (**2**) snugly onto terminal (**1**) of the proper size. (Note: If terminal has detachable SAE adapter nut, it must be attached.) A loose connection between spark plug boot and ignition wire connector in the boot may create arcing that could ignite combustible fumes and cause a fire.

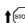


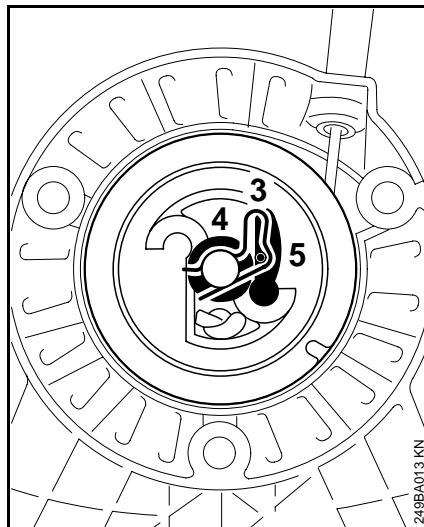
- Check grease level regularly, about every 25 hours of operation.
- Unscrew the filler plug (**1**). If no grease can be seen on the inside of the filler plug, screw the tube (**2**) of STIHL gear lubricant for brushcutters – see "Special Accessories" – into the filler hole.
- Squeeze up to 1/5 oz (5 g) grease into the gear housing.
- ⚠** Do not completely fill the gear housing with grease.
- Refit the filler plug and tighten it down firmly.

Replacing Starter Rope and Rewind Spring

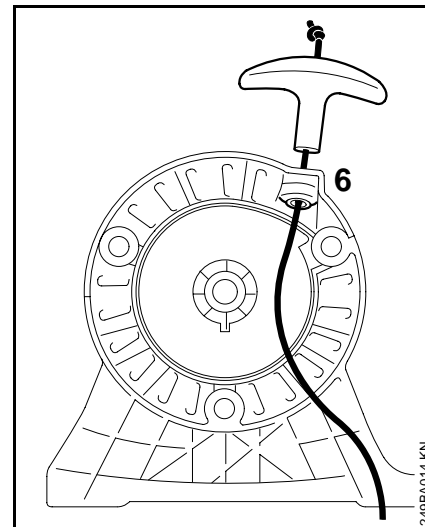


Replacing the starter rope

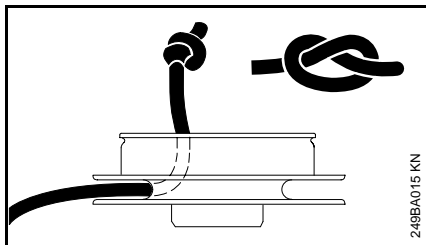
- Move slide control in direction of  – arrow to **STOP-O**.
- Take out the screws (1).
- Lift the starter cover (2) off the housing.



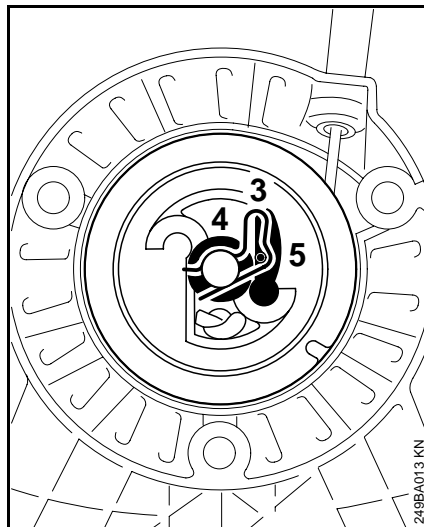
- Remove the spring clip (3).
- Remove the rope rotor with washer (4) and pawl (5).



- Remove remaining rope from the rotor and grip.
- Tie a simple overhand knot in the new rope (see "Specifications") and then thread it through the top of the grip and the rope bushing (6).



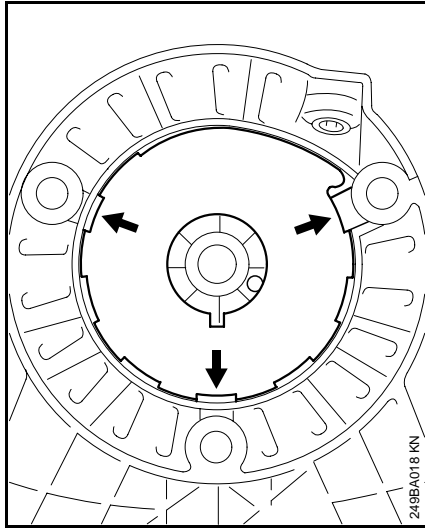
- Thread the rope through the rotor and secure it with a simple overhand knot.
- Coat rope rotor bearing bore with non-resinous oil.
- Slip rotor over starter post – turn it back and forth to engage anchor loop of rewind spring.



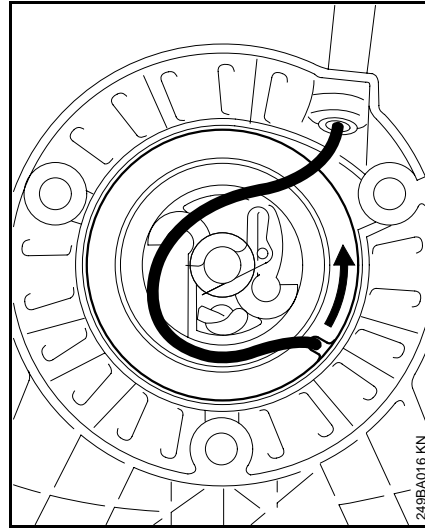
- Refit the pawl (5) in the rotor.
- Fit the washer (4) on the starter post.
- Use a screwdriver or suitable pliers to install spring clip (3) on starter post and engage it on the pawl's peg – the spring clip must point counterclockwise clockwise as shown in the illustration.
- Go to "Tensioning the rewind spring".

Replacing a broken rewind spring

- Remove the rope rotor as described under "Replacing Starter Rope and Rewind Spring".
- ⚠ The bits of spring might still be under tension and could fly apart when you take them out of the housing. To reduce **risk of injury**, wear eye and face protection and work gloves.
- Remove spring housing and the parts of the spring.
- Lubricate the new spring with a few drops of non-resinous oil.



- Place the new spring housing on the recesses (arrows) – bottom plate must face up.
- Push the spring housing into the starter cover.
- Install the rope rotor as described under "Tensioning the rewind spring".
- If the spring pops out of the housing during installation: Refit it in the counterclockwise direction, starting outside and working inward.



Tensioning the rewind spring

- Make a loop in the unwound starter rope and use it to turn the rope rotor six full revolutions in the direction of the arrow.
- Hold the rotor steady – pull out and straighten the twisted rope.
- Release the rope rotor.
- Let go of rope slowly so that it winds onto the rotor. The starter grip must locate firmly in the rope guide bushing. If the grip droops to one side: Increase spring tension by adding one more turn.

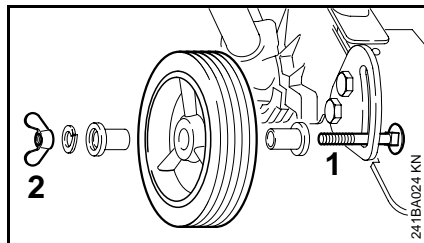
- When the starter rope is fully extended it must still be possible to rotate the rotor another half turn. If this is not the case, the spring is overtensioned and could break. Take one turn of rope off the rotor in such a case.
- Fit the starter cover on the housing.
- Tighten down the screws firmly.

Storing the Machine

For periods of about 3 months or longer

- Drain and clean the fuel tank in a well ventilated area.
- Dispose of remaining fuel and cleaning solution properly in accordance with local environmental requirements.
- Run engine until carburetor is dry – this helps prevent the carburetor diaphragms sticking together.
- Remove, clean and inspect the cutting blade.
- Thoroughly clean the machine – pay special attention to the cylinder fins and air filter.
- Store the machine in a dry, high or locked location – out of the reach of children and other unauthorized persons.

Replacing the Depth Wheel

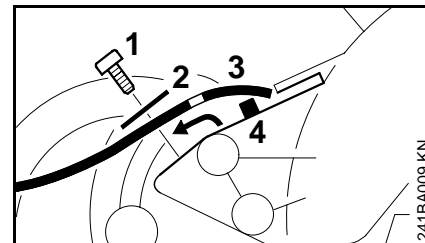


Have worn depth wheel replaced by your STIHL dealer.

- The end of the thread on screw (1) is caulked to ensure that the wingnut (2) does not work loose and be lost.

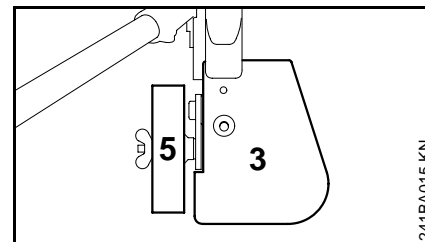
A **very high torque** has to be applied to remove the wingnut from the screw. If the parts are then reassembled, the captive function is no longer guaranteed. In such a case the screw and wingnut should be replaced by your dealer*.

Replacing the Skirt



Removing the skirt

- Release and remove screw (1) along with washer (2).
- Pull the skirt (3) off the lug (4) and out of the deflector

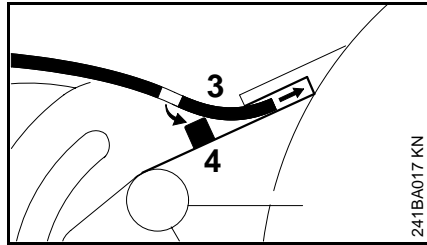


Position of skirt

- Position the skirt (3) correctly in relation to depth wheel (5):
If wheel is on left, the skirt must project to the right.

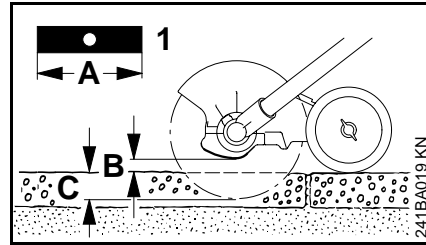
* STIHL recommends that this work be done by a STIHL servicing dealer

Replacing the Edger Blade



Fitting the skirt

- Push the skirt (3) into the slot in the deflector until it can be engaged on the lug (4).
- Fit the washer on the screw.
- Insert screw and tighten it down firmly.



A bent or cracked blade must not be straightened or welded – it may shatter. Such blades must be replaced – see "Fitting the Edger Blade".

STIHL recommends you use only genuine STIHL edger blades – see "Special Accessories".

- Replace the blade (1) when its length (A) is no longer sufficient to maintain the necessary ground clearance (B) and obtain the required depth of cut (C).
To avoid out-of-balance:
check blade on a STIHL balancer – see "Special Accessories".

Do not resharpen the blade!

Inspections and Maintenance by Dealer

Fuel pickup body in tank

- Have the pickup body in the fuel tank replaced every year.

STIHL recommends that maintenance and repair work be carried out only by authorized STIHL dealers.

Maintenance chart

Please note that the following maintenance intervals apply for normal operating conditions only. If your daily working time is longer than normal or cutting conditions are difficult (hard ground, etc.), shorten the specified intervals accordingly.		Before starting work	After finishing work or daily	After each refueling stop	Weekly	Monthly	Yearly	If faulty	If damaged	As required
Complete machine	Visual inspection (condition, leaks)	X		X						
	Clean		X							
Control handle	Check operation	X		X						
Air filter	Clean							X		X
	Replace								X	
Pick up body in fuel tank	Check by servicing dealer ¹⁾							X		
	Replace by servicing dealer ¹⁾						X			X
Fuel tank	Clean							X		X
Carburetor	Check idle adjustment, blade must not rotate	X		X						
	Readjust idle									X
Spark plug	Readjust electrode gap							X		
	Replace after 100 hours of operation									
Intake opening for cooling air	Visual inspection		X							
	Clean									X
Valve clearance	Check and adjust, for the first time after approx. 139 hours of operation									X
Combustion Chamber	Decarbonizing after 139 hours of operation, then every 150 hours of operation.									X
Spark arresting screen* in muffler	Inspect		X					X		
	Clean or replace								X	X
All accessible screws and nuts (not adjusting screws)	Retighten									X

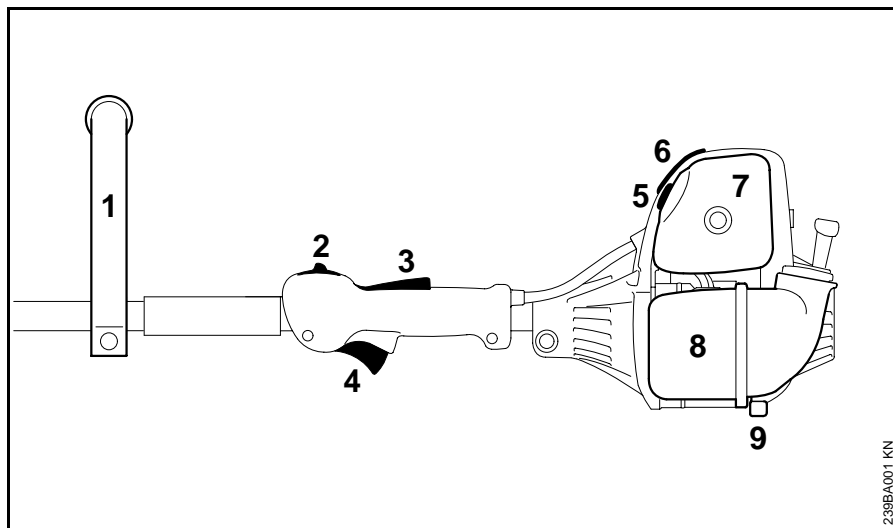
* see "Guide to Using this Manual"

¹⁾ STIHL recommends a STIHL servicing dealer

Please note that the following maintenance intervals apply for normal operating conditions only. If your daily working time is longer than normal or cutting conditions are difficult (hard ground, etc.), shorten the specified intervals accordingly.		Before starting work	After finishing work or daily	After each refueling stop	Weekly	Monthly	Yearly	If faulty	If damaged	As required
Anti-vibration elements (rubber buffers, springs)	Check	X						X		X
	Have replaced by a STIHL servicing dealer ¹⁾								X	
Cutting blade	Visual inspection	X		X						
	Replace								X	
	Check tightness of blade	X		X						
Wear guard for gear	Inspect	X								
	Replace									X
Gearbox lubrication	Check				X					
	Refill									X
Safety labels	Replace								X	

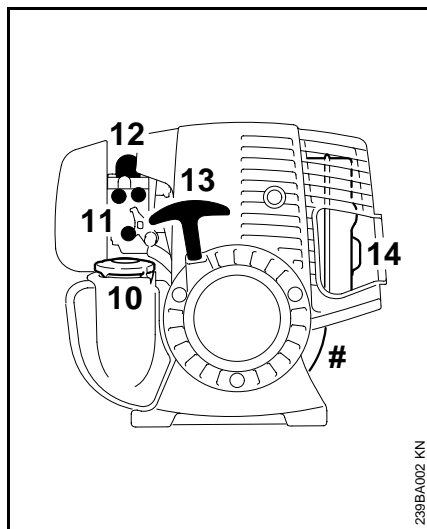
¹⁾ STIHL recommends that this work be done by a STIHL servicing dealer

Parts and controls



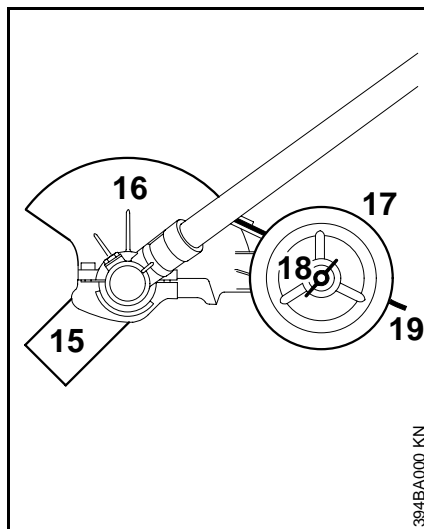
- 1= Loop handle
- 2= Slide control
- 3= Throttle trigger interlock
- 4= Throttle trigger
- 5= Choke lever
- 6= Spark plug boot
- 7= Air filter cover
- 8= Fuel tank
- 9= Machine support

239BA001 KN



- 10= Fuel filler cap
- 11= Carburetor adjusting screws
- 12= Fuel pump
- 13= Starter grip
- 14= Muffler (with spark arresting screen, depending on country*)
- 15= Cutting blade
- 16= Deflector
- 17= Wheel
- 18= Wing nut
- 19= Skirt
- # Machine number

239BA002 KN



394BA000 KN

* see "Guide to Using this Manual"

Definitions

- 1. Loop handle**
For easy control of the machine while working.
- 2. Slide control**
Starting throttle, run and stop switch. Keeps the throttle partially open during starting and switches the engine's ignition off to stop the engine.
- 3. Throttle trigger interlock**
Must be depressed before the throttle trigger can be activated.
- 4. Throttle trigger**
Controls the speed of the engine.
- 5. Choke lever**
Eases engine starting by enriching the fuel mixture.
Ignition wire.
- 6. Spark plug boot**
Connects the spark plug to the ignition wire.
- 7. Air filter cover**
Protects the air filter.
- 8. Fuel tank**
For fuel and oil mixture.
- 9. Machine support**
For resting machine on the ground.
- 10. Fuel filler cap**
For closing the fuel tank.
- 11. Carburetor adjusting screws**
For tuning the carburetor.
- 12. Fuel pump**
Provides additional fuel feed for a cold start.
- 13. Starter grip**
The grip of the pull starter, which is the device to start the engine.
- 14. Muffler**
(with spark arresting screen)
Attenuates exhaust noises and diverts exhaust gases away from the operator. The spark arresting screen is designed to reduce the risk of fire.
- 15. Cutting blade**
Metal cutting blade for cutting weeds and soft green plants.
- 16. Deflector**
The deflector is designed to reduce the risk of injury from flying objects hurled aside by the cutting blade and from contact with the cutting tool.
- 17. Wheel**
The wheel mounted on the deflector guides the cutting blade of the edger over the ground at a preset height.
- 18. Wing nut**
Must be loosened to move the wheel for setting the cutting depth.
- 19. Skirt**
The skirt is designed to reduce the risk of injury from flying objects hurled aside by the cutting blade.

Specifications

EPA / CEPA:

The Emission Compliance Period referred to on the Emissions Compliance Label indicates the number of operating hours for which the engine has been shown to meet Federal emission requirements.

Category:

A = 300 hours,
B = 125 hours,
C = 50 hours

CARB:

The Emission Compliance Period used on the CARB-Air Index Label indicates the terms:

Extended = 300 hours,
Intermediate = 125 hours,
Moderate = 50 hours

STIHL Single cylinder four-stroke engine with gasoil lubrication

Displacement: 1.92 cu.in (31.4 cm³)

Bore: 1.57 in (40 mm)

Stroke: 0.98 in (25 mm)

Engine power to ISO 8893:
1.34 HP (1 KW)

Idle speed: 2,800 rpm

Engine cutoff speed
(nominal) 10,500 rpm

Valve clearance

Inlet valve: 0.004 in (0.10 mm)

Exhaust valve: 0.004 in (0.10 mm)

Fuel tank capacity

18.0 fl.oz (0.53 l)

Spark plug (suppressed)

NGK CMR 5 H

BOSCH USR 7AC

Electrode gap 0.028 in (0.7 mm)

Rewind starter

Starter rope 0.12 in dia., 33.46 in long
(3.0 mm dia., 850 mm long)

Weight (with deflector and cutting blade)

13.7 lb (6.2 kg)


Special Accessories

Contact your STIHL dealer for information regarding special accessories that may be available for your product.

Maintenance and Repairs

Users of this unit should carry out only the maintenance operations described in this manual. Other repair work may be performed only by authorized STIHL service shops.

Warranty claims following repairs can be accepted only if the repair has been performed by an authorized STIHL servicing dealer using original STIHL replacement parts.

Original STIHL parts can be identified by the STIHL part number, the **STIHL** logo and, in some cases, by the STIHL parts symbol . This symbol may appear alone on small parts.

Not for California: STIHL Incorporated Federal Emission Control Warranty Statement

Your Warranty Rights and Obligations

The U.S. Environmental Protection Agency (EPA) and STIHL Incorporated are pleased to explain the Emission Control System Warranty on your equipment type engine. In the U.S. new 1997 and later model year small off-road equipment engines must be designed, built and equipped, at the time of sale, to meet the U.S. EPA regulations for small non road engines. The equipment engine must be free from defects in materials and workmanship which cause it to fail to conform with U.S. EPA standards for the first two years of engine use from the date of sale to the ultimate purchaser.

STIHL Incorporated must warrant the emission control system on your small off-road engine for the period of time listed below provided there has been no abuse, neglect or improper maintenance of your small off-road equipment engine.

Your emission control system includes parts such as the carburetor and the ignition system. Also included may be hoses, and connectors and other emission related assemblies.

Where a warrantable condition exists, STIHL Incorporated will repair your small off-road equipment engine at no cost to you, including diagnosis (if the diagnostic work is performed at an authorized dealer), parts, and labor.

Manufacturer's Warranty Coverage:

In the U.S., 1997 and later model year small off-road equipment engines are warranted for two years. If any emission-related part on your engine is defective, the part will be repaired or replaced by STIHL Incorporated free of charge.

Owner's Warranty Responsibilities:

As the small off-road equipment engine owner, you are responsible for the performance of the required maintenance listed in your owner's manual. STIHL Incorporated recommends that you retain all receipts covering maintenance on your small off-road equipment engine, but STIHL Incorporated cannot deny warranty solely for the lack of receipts or for your failure to ensure the performance of all scheduled maintenance.

Any replacement part or service that is equivalent in performance and durability may be used in non-warranty maintenance or repairs, and shall not reduce the warranty obligations of the engine manufacturer.

As the small off-road equipment engine owner, you should be aware, however, that STIHL Incorporated may deny you warranty coverage if your small off-road equipment engine or a part has failed due to abuse, neglect, improper maintenance or unapproved modifications.

You are responsible for presenting your small off-road equipment engine to a STIHL service center as soon as a problem exists. The warranty repairs will be completed in a reasonable amount of time, not to exceed 30 days.

If you have any questions regarding your warranty rights and responsibilities, please contact a STIHL customer service representative at 1-800-467-8445 or you can write to

STIHL Inc.,
536 Viking Drive, P.O. Box 2015,
Virginia Beach, VA 23450-2015.

Coverage by STIHL Incorporated

STIHL Incorporated warrants to the ultimate purchaser and each subsequent purchaser that your small off-road equipment engine will be designed, built and equipped, at the time of sale, to meet all applicable regulations. STIHL Incorporated also warrants to the initial purchaser and each subsequent purchaser that your engine is free from defects in materials and workmanship which cause the engine to fail to conform with applicable regulations for a period of two years.

Warranty Period

The warranty period will begin on the date the utility equipment engine is purchased by the initial purchaser and you have signed and sent back the warranty card to STIHL.

If any emission related part on your engine is defective, the part will be replaced by STIHL Incorporated at no cost to the owner. Any warranted part which is not scheduled for replacement as required maintenance, or which is scheduled only for regular inspection to the effect of "repair or replace as necessary" will be warranted for the warranty period. Any warranted part which is scheduled for replacement as required maintenance will be warranted for the period of time up to the first scheduled replacement point for that part.

Diagnosis

You, as the owner, shall not be charged for diagnostic labor which leads to the determination that a warranted part is defective. However, if you claim warranty for a component and the machine is tested as non-defective, STIHL Incorporated will charge you for the cost of the emission test. Mechanical diagnostic work will be performed at an authorized STIHL servicing dealer. Emission test may be performed either at STIHL Incorporated or at any independent test laboratory.

Warranty Work

STIHL Incorporated shall remedy warranty defects at any authorized STIHL servicing dealer or warranty station. Any such work shall be free of charge to the owner if it is determined that a warranted part is defective.

Any manufacturer-approved or equivalent replacement part may be used for any warranty maintenance or repairs on emission-related parts and must be provided without charge to the owner. STIHL Incorporated is liable for damages to other engine components caused by the failure of a warranted part still under warranty.

The following list specifically defines the emission-related warranted parts:

Carburetor
Choke (Cold start enrichment system)
Intake manifold
Air filter
Spark plug
Magneto or electronic ignition system (ignition module)
Catalytic converter (if applicable)
Fasteners

Where to make a claim for Warranty Service

Bring the product to any authorized STIHL servicing dealer and present the signed warranty card.

Maintenance Requirements

The maintenance instructions in this manual are based on the application of the recommended 2-stroke fuel-oil mixture (see also instruction "Fuel"). Deviations from this recommendation regarding quality and mixing ratio of fuel and oil may require shorter maintenance intervals.

Limitations

This Emission Control Systems Warranty shall not cover any of the following:

- repair or replacement required because of misuse, neglect or lack of required maintenance,
- repairs improperly performed or replacements not conforming to STIHL Incorporated specifications that adversely affect performance and/or durability, and alterations or modifications not recommended or approved in writing by STIHL Incorporated,

and

- replacement of parts and other services and adjustments necessary for required maintenance at and after the first scheduled replacement point.

For California only: STIHL Incorporated California Exhaust and Evaporative Emissions Control Warranty Statement

Your Warranty Rights and Obligations

The California Air Resources Board (CARB) and STIHL Incorporated are pleased to explain the emissions control system's warranty on your 2007 and later small off-road equipment engine.

In California, new equipment that uses small off-road-engines must be designed, built, and equipped to meet the State's stringent anti-smog standards. STIHL Incorporated must warrant the emissions control system on your small off-road engine for the period listed below provided there has been no abuse, neglect or improper maintenance of your small off-road engine.

Your emissions control system may include parts such as:

Air filter, Carburetor, Purger, Choke (Cold Start Enrichment System), Control Linkages, Intake Manifold, Magneto or Electronic Ignition System (Ignition module), Spark Plug, Catalytic Converter (if applicable), Fuel Tank, Fuel Cap, Fuel Line, Fuel Line Fittings, Clamps, Fasteners.

Where a warrantable condition exists, STIHL Incorporated will repair your small off-road equipment engine at no cost to you including diagnosis, parts and labor.

Manufacturer's Warranty Coverage:

This emissions control system is warranted for two years in California. If any emissions-related part on your equipment is defective, the part will be repaired or replaced by STIHL Incorporated free of charge.

Owner's Warranty Responsibilities:

As the small off-road equipment engine owner, you are responsible for performance of the required maintenance listed in your instruction manual. STIHL Incorporated recommends that you retain all receipts covering maintenance on your small off-road equipment engine, but STIHL Incorporated cannot deny warranty solely for the lack of receipts or your failure to ensure the performance of all scheduled maintenance.

As the small off-road equipment engine owner, you should however be aware that STIHL Incorporated may deny you warranty coverage if your small off-road equipment engine or a part has failed due to abuse, neglect, or improper maintenance or unapproved modifications.

You are responsible for presenting your small off-road equipment engine to a STIHL servicing dealer as soon as the problem exists. The warranty repairs should be completed in a reasonable amount of time, not to exceed 30 days. If you have any questions regarding your warranty rights and responsibilities, please contact a STIHL customer service representative at 1-800-467-8445 or you can write to

STIHL Inc., 536 Viking Drive,
P.O. Box 2015,
Virginia Beach, VA 23450-2015.

Coverage by STIHL Incorporated

STIHL Incorporated warrants to the ultimate purchaser and each subsequent purchaser that your small off-road equipment engine is designed, built and equipped, at the time of sale, to meet all applicable emission regulations.

STIHL Incorporated also warrants to the initial purchaser and each subsequent purchaser that your engine is free from defects in materials and workmanship which cause the engine to fail to conform to applicable emission regulations for a period of two years.

Defects Warranty Period

The warranty periods will begin on the date the utility equipment engine is purchased by the initial purchaser. If any emission related part on your engine is defective, the part will be replaced by STIHL Incorporated at no cost to the owner.

Add on or modified parts that are not exempted by CARB may not be used. The use of any non exempted add on or modified parts will be grounds for disallowing a warranty claim. STIHL Incorporated will not be liable to warrant failures of warranted parts caused by the use of a non exempted add on or modified part.

The warranty on emissions-related parts will be interpreted as follows:

1. Any warranted part that is not scheduled for replacement as required maintenance in the written instructions required in the Emission Warranty Parts List (see below) must be warranted for the warranty period defined in Subsection COVERAGE BY STIHL INCORPORATED, see above. If any such part fails during the period of warranty coverage, it must be repaired or replaced by the manufacturer according to Subsection (4) below. Any such part repaired or replaced under the warranty must be warranted for the remaining warranty period.

2. Any warranted part that is scheduled only for regular inspection in the written instructions required by the Emission Warranty Parts List (see below) must be warranted for the warranty period defined in Subsection COVERAGE BY STIHL INCORPORATED, see above. A statement in such written instructions to the effect of "repair or replace as necessary" will not reduce the period of warranty coverage. Any such part repaired or replaced under warranty must be warranted for the remaining warranty period.

3. Any warranted part that is scheduled for replacement as required maintenance in the written instructions required by the Emission Warranty Parts List (see below) must be warranted for the period of time prior to the first scheduled replacement point for that part. If the part fails prior to the first scheduled replacement, the part must be repaired or replaced by the engine manufacturer according to Subsection (4) below. Any such part repaired or replaced under warranty must be warranted for the remainder of the period prior to the first scheduled replacement point for the part.

4. Repair or replacement of any warranted part under the warranty must be performed at a warranty station at no charge to the owner.

5. Notwithstanding the provisions of Subsection (4) above, warranty services or repairs will be provided at all manufacturer distribution centers that are authorized to service the subject engines.

6. The owner must not be charged for diagnostic labor that leads to the determination that a warranted part is in fact defective, provided that such diagnostic work is performed at a warranty station.

Warranty Work

STIHL Incorporated shall remedy warranty defects at any authorized STIHL servicing dealer or warranty station. Any such work shall be free of charge to the owner if it is determined that a warranted part is defective. Any manufacturer approved or equivalent replacement part may be used for any warranty maintenance or repairs on emission related parts and must be provided without charge to the owner. STIHL Incorporated is liable for damages to other engine components caused by the failure of a warranted part still under warranty.

Trademarks

Emission Warranty Parts List

Air filter, Carburetor, Purger, Choke (Cold Start Enrichment System), Control Linkages, Intake Manifold, Magneto or Electronic Ignition System (Ignition Module), Spark Plug, Catalytic Converter (if applicable), Fuel Tank, Fuel Cap, Fuel Line, Fuel Line Fittings, Clamps, Fasteners

Where to make a claim for Warranty Service

Bring the STIHL product to any authorized STIHL servicing dealer and present the signed STIHL product registration card, or the print-out of the electronic product registration.

Limitations

The repair or replacement of any warranted part otherwise eligible for warranty coverage may be excluded from such warranty coverage if STIHL Incorporated demonstrates that the STIHL product has been abused, neglected, or improperly maintained, and that such abuse, neglect, or improper maintenance was the direct cause of the need for repair or replacement of the part. That notwithstanding, any adjustment of a component that has a factory installed, and properly operating, adjustment limiting device is still eligible for warranty coverage.

STIHL Registered Trademarks

STIHL®

STIHL®



The color combination orange-grey (U.S. Registrations #2,821,860; #3,010,057; and #3,010,058)

4-MIX®

AUTOCUT®

EASYSTART®

OILOMATIC®

STIHL Cutquik®

STIHL DUROMATIC®

STIHL Farm Boss®

STIHL Quickstop®

STIHL ROLLOMATIC®

STIHL WOOD BOSS®

TIMBERSPORTS®

YARD BOSS®

Some of STIHL's Common Law Trademarks



BioPlus™

Easy2Start™

EasySpool™

ElastoStart™

Ematic™ / Stihl-E-Matic™

FixCut™

HT Plus™

IntelliCarb™

Master Control Lever™

Micro™

Pro Mark™

Quad Power™

Quiet Line™

STIHL Arctic™

STIHL Compact™

STIHL HomeScaper Series™

STIHL Interchangeable Attachment Series™

STIHL Magnum™ / Stihl-Magnum™
STIHL MiniBoss™
STIHL MotoPlus 4™
STIHL Multi-Cut HomeScaper Series™
Stihl Outfitters™
STIHL PICCO™
STIHL PolyCut™
STIHL PowerSweep™
STIHL Precision Series™
STIHL Protech™
STIHL RAPID™
STIHL SuperCut™
STIHL Territory™
TapAction™
TrimCut™

This listing of trademarks is subject to change.

Any unauthorized use of these trademarks without the express written consent of ANDREAS STIHL AG & Co. KG, Waiblingen is strictly prohibited.

Contenido

Guía para el uso de este manual ...	46
Medidas de seguridad	47
Técnicas de trabajo	57
Montaje del mango tórico	60
Ajuste del cable del acelerador	60
Colocación de la cuchilla de la orilladora	61
Motor 4-MIX	62
Combustible	62
Llenado de combustible	63
Arranque / parada del motor	64
Instrucciones de manejo	67
Limpieza del filtro de aire	67
Manejo del motor	68
Ajuste del carburador	68
Chispero en el silenciador	70
Revisión de la bujía	70
Lubricación de caja de engranajes	71
Sustitución de la cuerda de arranque y resorte de rebobinado	72
Almacenamiento de la máquina	75
Sustitución de la rueda reguladora de profundidad	75
Sustitución de la faldilla	75
Sustitución de la cuchilla de la orilladora	76
Inspecciones y mantenimiento por el concesionario	76
Tabla de mantenimiento	77
Piezas y controles	79
Especificaciones	81
Accesorios especiales	81
Mantenimiento y reparaciones	82
Declaración de garantía de STIHL Incorporated sobre sistemas de control de emisiones según normas Federales	83
Declaración de garantía de STIHL Incorporated sobre el control de emisiones de gases de escape y emisiones por evaporación para el Estado de California	85
Marcas comerciales	87

Permita que solamente las personas que comprenden la materia tratada en este manual manejen su orilladora. Para obtener el rendimiento y satisfacción máximos de la orilladora STIHL, es importante leer y comprender las instrucciones de mantenimiento y las precauciones de seguridad antes de usarla. Comuníquese con el concesionario o distribuidor de STIHL si no se entiende alguna de las instrucciones dadas en el presente manual.

Advertencia

Dado que la orilladora es una herramienta de corte motorizada de gran velocidad, es necesario tomar medidas especiales de seguridad para reducir el riesgo de lesiones.

El uso descuidado o inadecuado puede causar lesiones graves e incluso mortales. Asegúrese que su máquina esté equipada con el deflector y mango adecuados para el tipo de accesorio de corte que se está utilizando. Siempre protéjase adecuadamente los ojos.

La filosofía de STIHL es mejorar continuamente todos sus productos. Como resultado de ello, periódicamente se introducen cambios de diseño y mejoras. Si las características de funcionamiento o la apariencia de su orilladora difieren de las descritas en este manual, comuníquese con el concesionario STIHL para obtener la información y ayuda que requiera.

STIHL®

Guía para el uso de este manual

Pictogramas

Todos los pictogramas que se encuentran en la máquina se muestran y explican en este manual.

Las instrucciones de uso y manipulación vienen acompañadas de ilustraciones.

Símbolos en el texto

Los pasos individuales o procedimientos descritos en el manual pueden estar señalados en diferentes maneras:

- Un punto identifica un paso o procedimiento sin referencia directa a una ilustración.

Una descripción de un paso o procedimiento que se refiere directamente a una ilustración puede tener números de referencia que aparecen en la ilustración.

Ejemplo:

Suelte el tornillo (1)

Palanca (2) ...

Además de las instrucciones de uso, en este manual pueden encontrarse párrafos a los que usted debe prestar atención especial. Tales párrafos están marcados con los símbolos que se describen a continuación.



Advertencia donde existe el riesgo de un accidente o lesiones personales o daños graves a la propiedad.



Precaución donde existe el riesgo de dañar la máquina o los componentes individuales.



Nota o sugerencia que no es esencial para el uso de la máquina, pero puede ayudar al operador a comprender mejor la situación y mejorar su manera de manejar la máquina.



Nota o sugerencia sobre el procedimiento correcto con el fin de evitar dañar el medio ambiente.

* Equipo y características

Este manual de instrucciones puede describir varios modelos con diferentes características. Los componentes que no se encuentran instalados en todos los modelos y las aplicaciones correspondientes están marcados con un asterisco (*). Esos componentes pueden ser ofrecidos como accesorios especiales por el concesionario STIHL.

Mejoramientos técnicos

La filosofía de STIHL es mejorar continuamente todos sus productos. Como resultado de ello, periódicamente se introducen cambios de diseño y mejoras. Si las características de funcionamiento o la apariencia de su máquina difieren de las descritas en este manual, comuníquese con el concesionario STIHL para obtener la ayuda que requiera.

Por lo tanto, es posible que algunos cambios, modificaciones y mejoramientos no hayan sido descritos en este manual.

Medidas de seguridad



Advertencia

Dado que la orilladora es una herramienta de corte motorizada que funciona a gran velocidad, es necesario tomar medidas especiales de seguridad para reducir el riesgo de lesiones.



Es importante que usted lea, comprenda bien y respete las siguientes advertencias y medidas de seguridad. Guarde este manual del usuario y lea las instrucciones de seguridad periódicamente. Familiarícese completamente con los controles y con el modo de empleo adecuado del equipo. Sepa cómo apagar la máquina y desengranar los controles con rapidez. El uso descuidado o inadecuado de cualquier orilladora puede causar lesiones graves e incluso mortales.

Pida a su concesionario STIHL que le enseñe el manejo de la orilladora. Respete todas las disposiciones, reglamentos y normas de seguridad locales del caso.

⚠ Advertencia

El uso de cualquier orilladora puede ser peligroso. Si la herramienta de corte giratoria llega a quedar en contacto con su cuerpo, le ocasionará una cortadura. Cuando choca con algún objeto extraño sólido tal como rocas o pedazos de metal, puede arrojarlo directamente o

por rebote en dirección de personas que se encuentren en la cercanía o del operador.

El contacto con dichos objetos puede dañar los accesorios de corte y puede hacer que las cuchillas se rompan, astillen o agrieten. Los objetos arrojados o las cuchillas dañadas pueden provocar lesiones graves o mortales al operador o a personas que se encuentren en su proximidad.

⚠ Advertencia

Nunca permita a los niños que usen una orilladora. No se debe permitir la proximidad de otros, especialmente niños y animales, donde se esté utilizando la orilladora.

Nunca deje la orilladora funcionando sin vigilancia.

⚠ Advertencia

No preste ni alquile nunca su orilladora sin el manual del usuario. Asegúrese que todas las personas que utilicen su orilladora lean y comprendan la información contenida en este manual.

La mayoría de las medidas de seguridad y avisos contenidos en este manual se refieren al uso de todas las orilladoras de STIHL. Los distintos modelos pueden contar con piezas y controles diferentes. Vea la sección correspondiente de su manual del usuario para tener una descripción de los controles y la función de cada componente de su modelo de orilladora.

El uso seguro de una orilladora atañe a

1. el operador
2. la orilladora
3. el uso de la orilladora.

¡Guarde estas instrucciones!

EL OPERADOR

Condición física

Usted debe estar en buenas condiciones físicas y psíquicas y no encontrarse bajo la influencia de ninguna sustancia (drogas, alcohol, etc.) que le pueda restar visibilidad, destreza o juicio. No maneje la orilladora cuando está fatigado.

Esté alerta. Si se cansa durante el manejo de su orilladora, tómese un descanso. El cansancio puede provocar una pérdida del control. El uso de cualquier orilladora es fatigoso. Si usted padece de alguna dolencia que pueda ser agravada por la fatiga, consulte a su médico antes de utilizar la orilladora.

Advertencia

El uso prolongado de una orilladora (u otras máquinas) expone al operador a vibraciones que pueden provocar el fenómeno de Raynaud (dedos blancos) o el síndrome del túnel del carpio. Estas condiciones reducen la capacidad de las manos de sentir y regular la temperatura, producen entumecimiento y ardor y pueden provocar trastornos nerviosos y circulatorios, así como necrosis de los tejidos.

No se conocen todos los factores que contribuyen a la enfermedad de Raynaud, pero el clima frío, el fumar y las enfermedades o condiciones físicas que afectan los vasos sanguíneos y la circulación de la sangre, como asimismo los niveles altos de vibración y períodos prolongados de exposición a la vibración son mencionados como factores en el desarrollo de la enfermedad de Raynaud. Por lo tanto, para reducir el riesgo de la enfermedad de dedos blancos y del síndrome del túnel del carpio, sírvase notar lo siguiente:

- La mayor parte de las herramientas motorizadas de STIHL se ofrecen con un sistema antivibración ("AV") cuyo propósito es reducir la transmisión de las vibraciones creadas por el motor a las manos del operador. Se recomienda el uso del sistema AV a aquellas personas que utilizan herramientas motorizadas en forma constante y regular.

- Use guantes y mantenga las manos abrigadas.
- Mantenga el sistema AV en buen estado. Una orilladora con componentes flojos o con amortiguadores AV dañados o desgastados también tendrá tendencia a tener niveles más altos de vibración.
- Agarre firmemente los mangos en todo momento, pero no los apriete con fuerza constante y excesiva; tómese descansos frecuentes.

Todas las precauciones antes mencionadas no le garantizan que va a estar totalmente protegido contra la enfermedad de Raynaud o el síndrome del túnel del carpio. Por lo tanto, los operadores constantes y regulares deben controlar con frecuencia el estado de sus manos y dedos. Si aparece alguno de los síntomas arriba mencionados, consulte inmediatamente al médico.

Advertencia

El sistema de encendido de la máquina produce un campo electromagnético de intensidad muy baja. El mismo puede interferir con algunos tipos de marcapasos. Para reducir el riesgo de lesiones graves o mortales, las personas portadoras de marcapasos deben consultar a sus médicos y al fabricante del marcapasos antes de usar esta máquina.

Vestimenta adecuada

Advertencia



El uso de la orilladora puede causar lesiones graves a los ojos, oídos y el cuerpo de una persona. El deflector y la faldilla provistos con la orilladora

no siempre protegen al operador contra todos los objetos extraños (gravilla, vidrio, alambre, etc.) arrojados por el accesorio de corte giratorio. Los objetos arrojados o lanzados por el accesorio también pueden rebotar y golpear al operador. Para reducir el riesgo de lesionarse los ojos, nunca maneje la orilladora si no tiene puestas gafas o anteojos de seguridad bien ajustados con una protección adecuada en las partes superior y laterales que satisfagan la norma ANSI Z 87.1 (o la norma nacional correspondiente).

Para reducir el riesgo de lesionarse la cara, STIHL recomienda usar también una careta o protector facial adecuado sobre las gafas o anteojos de seguridad.

 **Advertencia**


El ruido de la orilladora puede dañar sus oídos. Siempre use amortiguadores del ruido (tapones u orejeras) para protegerse los oídos. Los usuarios constantes y regulares deben someterse con frecuencia a un examen o control auditivo.

Use vestimenta protectora adecuada.



Protéjase las manos con guantes cuando manipule la orilladora y la herramienta de corte. Los guantes gruesos y antideslizantes mejoran el manejo y protegen las manos.



La ropa debe ser de confección fuerte y ajustada, pero no tanto que impida la completa libertad de movimiento. Evite el uso de chaquetas sueltas, bufandas, corbatas, joyas, pantalones acampanados o con vueltas, pelo largo suelto o cualquier cosa que pueda engancharse en las ramas, matorrales o piezas en movimiento de la máquina. Use pantalones largos hechos de un material grueso para protegerse las piernas. No vista con pantalones cortos.



Una buena base de apoyo es indispensable cuando se maneja la orilladora. Póngase botas gruesas con suela antideslizante. No maneje la orilladora mientras está descalzo o usando sandalias. Recomendamos las botas de seguridad con puntera de acero.



Utilice un casco de seguridad aprobado para reducir el riesgo de lesionarse la cabeza en caso de existir tal tipo de peligro.

LA ORILLADORA

Para las ilustraciones y definiciones de los componentes de la orilladora, vea el capítulo "Piezas y controles".

 **Advertencia**

Nunca modifique, de ninguna manera, una orilladora. Utilice únicamente los accesorios y repuestos suministrados por STIHL o expresamente autorizados por STIHL para usarse con los modelos específicos de orilladoras de STIHL. Si bien es posible conectar a su orilladora STIHL ciertos accesorios no autorizados, su uso puede ser, en la práctica, extremadamente peligroso.

USO DE LA ORILLADORA

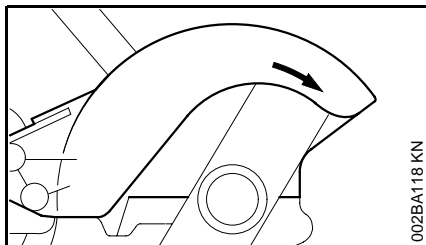
Transporte de la orilladora

 **Advertencia**

Antes de apoyar la orilladora en el suelo, apague el motor y asegúrese de que el accesorio de corte ha dejado de girar. Cuando transporte la orilladora en un vehículo, sujétela firmemente para impedir su volcadura, el derrame de combustible y el daño a la orilladora.

Preparación para el uso de la orilladora

Ajuste el arnés y la empuñadura de modo correspondiente a su estatura antes de empezar a trabajar. La máquina debe estar debidamente equilibrada según lo especificado en el manual del usuario para obtener un control adecuado y causar menos fatiga al usarla.



Siempre revise la condición y funcionamiento de su orilladora antes de ponerla en marcha, especialmente el gatillo de aceleración, el bloqueo del gatillo de aceleración (y si lo tiene, el interruptor de parada, la herramienta de corte, el deflector y el arnés). Una **flecha** en el deflector indica el sentido correcto de giro de la cuchilla.

La **flecha** del deflector siempre debe apuntar en sentido opuesto al operador, de modo que los materiales cortados y la basura sean lanzados en sentido opuesto a la máquina y al operador (vea el capítulo "Técnicas de trabajo").

El gatillo de aceleración debe moverse libremente y siempre debe retornar a la posición de ralentí por la acción de resorte. La herramienta de corte debe estar debidamente apretada y en condiciones de funcionamiento seguro. Busque piezas sueltas (tuercas, tornillos, etc.) y cuchillas agrietadas, dobladas, deformadas o dañadas.

Combustible

La orilladora de STIHL utiliza una mezcla de aceite-gasolina como combustible (vea el capítulo "Combustible" en el manual del usuario).

Advertencia



La gasolina es un combustible muy inflamable. Si se derrama y arde a causa de una chispa u otra fuente de ignición, puede provocar un incendio y quemaduras graves o daños a la propiedad. Tenga sumo cuidado cuando manipule gasolina o la mezcla de combustible.

No fume cerca del combustible, ni acerque ningún fuego o llama al mismo.

No fume cerca del combustible, ni acerque ningún fuego o llama al mismo.

Instrucciones para el llenado de combustible

Cargue de combustible su orilladora en lugares al aire libre bien ventilados. Utilice un envase adecuado para el combustible.

Advertencia

Nunca intente llenar con combustible una máquina cuyo motor esté en marcha o caliente. Dependiendo del combustible utilizado, de las condiciones climáticas y del sistema de ventilación del tanque, es posible que se forme vapor de gasolina a presión dentro del tanque de gasolina de los motores. Para reducir el riesgo de quemaduras, así como otras lesiones corporales ocasionadas por los escapes de vapor de gasolina y otras emanaciones, quite la tapa de llenado de combustible de la orilladora cuidadosamente de modo que la presión que se pueda haber acumulado en el tanque se disipe lentamente. Nunca quite la tapa de llenado de combustible mientras el motor está funcionando.

Elija una superficie despejada para llenar el tanque y aléjese 3 m (10 pies) por lo menos del lugar en que lo haya llenado antes de arrancar el motor. Vuelva a colocar la tapa de llenado de combustible firmemente y compruebe que esté apretada.

Limpie los derrames de combustible antes de arrancar la orilladora y compruebe que no existan fugas.

Advertencia

Compruebe que no existan fugas de combustible mientras llena el tanque y durante el funcionamiento de la máquina. Si detecta alguna fuga de combustible o aceite, no arranque el motor ni lo haga funcionar sin antes reparar la fuga y limpiar el combustible derramado.

Aléjese al menos 3 m (10 pies) del punto en donde ocurrió una fuga antes de arrancar la máquina. Tenga cuidado de no mancharse la ropa con combustible. Si la mancha, cámbiesela inmediatamente.

El tipo de tapa de llenado difiere con los distintos modelos.

Tapa con mango

Advertencia

Para reducir el riesgo de que ocurran incendios y fugas de combustible debido a una tapa de llenado mal apretada, es necesario insertarla correctamente en la boca de llenado y apretarla bien firme.



Levante el mango situado encima de la tapa de llenado STIHL de modo que quede en posición vertical. Inserte la tapa de modo que la marca triangular en el mango coincida con aquella en la boca de llenado. Gire en sentido horario el mango de la tapa hasta donde tope (aprox. un cuarto de vuelta).



Doble el mango hasta dejarlo plano sobre la tapa de llenado. La tapa no está bien colocada si el mango no queda a ras con la tapa y la traba en el mango no encaja en la cavidad correspondiente en la boca de llenado. En este caso, vuelva a colocar la tapa.

Tapa de llenado atornillable

Advertencia



Las vibraciones de la máquina pueden aflojar una tapa de combustible que ha quedado mal apretada, o simplemente soltarla y derramar combustible.

Para reducir el riesgo de derrames e incendio, apriete la tapa de llenado de combustible a mano con la mayor fuerza posible.

Arranque

⚠ Advertencia

Su orilladora es una máquina que debe ser manejada por solamente una persona.

Una vez que está funcionando, puede arrojar objetos extraños a gran distancia.



Para reducir el riesgo de ocasionar lesiones a los ojos u otras partes del cuerpo, asegúrese que las personas estén a por lo menos 15 m (50 pies) de distancia de la máquina. Apague el motor y la herramienta de corte inmediatamente si se le aproxima alguna persona.

Ponga en marcha y maneje su orilladora sin ayuda de nadie. Para las instrucciones específicas de arranque, vea la sección correspondiente en el manual del usuario.

Coloque la orilladora sobre suelo firme u otra superficie sólida en un lugar abierto. Mantenga buen equilibrio con los pies bien apoyados. Para reducir el riesgo de lesiones debido a la pérdida de control, esté absolutamente seguro que la herramienta de corte se encuentra lejos de su cuerpo y de todas las obstrucciones y

objetos, incluido el suelo, porque al arrancar el motor acelerado, su velocidad será lo suficientemente rápida para que el embrague se engrane y haga girar la herramienta de corte.

Cuando tire del mango de arranque, no enrolle la cuerda de arranque alrededor de la mano. No deje que el mango vuelva por sí solo a su posición original, sino guíe lentamente la cuerda para que se enrolle correctamente. Si no ejecuta este procedimiento puede lastimarse la mano o los dedos y también dañar el mecanismo de arranque.

Convertidor catalítico

⚠ Advertencia



Algunos modelos de orilladoras STIHL están equipados con un convertidor catalítico, el que está diseñado para reducir las emisiones de escape del motor mediante un proceso químico en el silenciador. Debido a este proceso, el silenciador no se enfría tan rápidamente como los del tipo convencional cuando el motor regresa a ralentí o es apagado. Para reducir el riesgo de incendio y de lesiones por quemadura, es necesario respetar las siguientes medidas de seguridad específicas.

⚠ Advertencia

Como un silenciador con convertidor catalítico se enfría más lentamente que los silenciadores convencionales, apoye siempre su orilladora en posición vertical y no lo coloque nunca donde el silenciador quede cerca de material seco como por ejemplo matorrales, pasto o virutas de madera, o sobre otros materiales combustibles mientras todavía está caliente. Deje que el motor se enfríe apoyado sobre una superficie de hormigón, metal, suelo raso o madera maciza (por ej., el tronco de un árbol caído) lejos de cualquier sustancia combustible.

⚠ Advertencia

Para reducir el riesgo de incendio o lesiones por quemadura, deje que la máquina se enfríe antes de reabastecer de combustible la orilladora después de usarlo.

⚠ Advertencia

Nunca desarme ni modifique el silenciador. El silenciador podría dañarse y causar el aumento de la radiación de calor o chispas, aumentando así el riesgo de incendio o lesiones por quemadura. Además, se podría dañar permanentemente el motor. Haga reparar el silenciador únicamente por el concesionario de servicio STIHL.

⚠ Advertencia

Para reducir el riesgo de incendio o lesiones por quemadura, mantenga limpia la zona alrededor del silenciador. Quite toda la basura tal como las agujas de pinos, ramas u hojas.

⚠ Advertencia

Una caja de cilindro dañada o mal instalada, o una envuelta del silenciador dañada o deformada, puede perjudicar el efecto de enfriamiento del convertidor catalítico. Para reducir el riesgo de incendio o lesiones por quemadura, no continúe trabajando con una caja de cilindro dañada o mal instalada, o una envuelta del silenciador dañada o deformada. El convertidor catalítico está dotado de rejillas diseñadas para reducir el riesgo de incendio debido a la emisión de partículas calientes. Debido al calor de la reacción catalítica, estas rejillas normalmente permanecen limpias y no necesitan servicio o mantenimiento. Si el rendimiento de su máquina comienza a disminuir y sospecha que las rejillas están obstruidas, haga reparar el silenciador por un concesionario de servicio STIHL.

Condiciones de trabajo

Maneje y arranque su orilladora exclusivamente al aire libre y en un lugar bien ventilado.

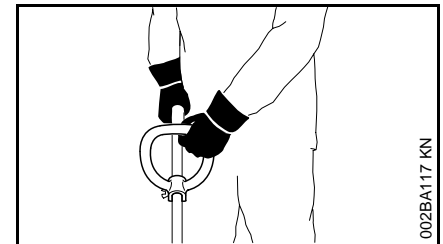
⚠ Advertencia

Su orilladora emite gases de escape tóxicos apenas el motor empieza a funcionar. Estos gases (por ej., monóxido de carbono) pueden ser incoloros e inodoros. Para reducir el riesgo de sufrir lesiones graves o mortales por respirar gases tóxicos, nunca haga funcionar la orilladora puertas adentro o en lugares mal ventilados.

⚠ Advertencia

El uso de este producto puede generar polvo y vapores que contienen productos químicos considerados como causantes de enfermedades respiratorias, cáncer, defectos de nacimiento u otra toxicidad reproductora. Si usted desconoce los riesgos asociados con el polvo o vapor en cuestión, consulte con su empleador, autoridades gubernamentales tales como OSHA y NIOSH y otras fuentes de información sobre materiales peligrosos. Por ejemplo, el estado de California y algunas otras autoridades han publicado varias listas de sustancias carcinógenas, de toxicidad reproductora, etc.

Siempre que sea posible, controle el polvo y los vapores en su punto de origen. Al respecto, emplee buenas prácticas de trabajo y siga las recomendaciones de OSHA/NIOSH y asociaciones laborales y comerciales. Cuando sea imposible eliminar la inhalación del polvo o vapores tóxicos, el operador y las personas que se encuentren en la cercanía siempre deberán usar un respirador aprobado por NIOSH/MSHA para el tipo de polvo y/o vapores presentes en el lugar.



Maneje la orilladora solamente cuando tenga buena visibilidad y a la luz del día. Trabaje con mucho cuidado.

Siempre sujete la orilladora firmemente con ambas manos. Cierre firmemente los dedos alrededor de los mangos, manteniéndolos bien apoyados entre el pulgar y dedo índice. Mantenga las manos en esta posición, para que siempre tenga la orilladora bien controlada.

Asegúrese que los mangos de la orilladora y el mango de arranque están en buenas condiciones y sin humedad, resina, aceite o grasa.

⚠ Advertencia

Nunca intente manejar ninguna orilladora con una sola mano. La pérdida de control de la orilladora puede ocasionar lesiones graves o mortales.

Se debe tener cuidado especial cuando las condiciones del suelo son resbaladizas (suelo húmedo, nieve) y en terreno difícil y con mucha vegetación. Para evitar tropezarse, esté atento a los obstáculos ocultos tales como tocones, raíces y zanjas.

Esté atento a las aceras desparejas, agujeros en el terreno y otras condiciones similares al usar la orilladora. Siempre avance lentamente sobre suelo irregular. No abuse de la orilladora.

⚠ Advertencia



Antes de cortar, inspeccione el área en busca de piedras, vidrio, pedazos de metal, basura u otros objetos sólidos y retírelos. El accesorio de corte

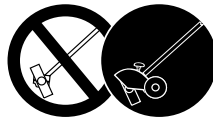
puede arrojar los objetos de esta clase y causar lesiones personales.

No utilice la orilladora en superficies con grava.

⚠ Advertencia

Nunca desvíe la descarga del material hacia otras personas, ni permita que persona alguna se acerque a la zona de trabajo. Tenga sumo cuidado al dirigir la descarga del material para evitar que se golpeen objetos de vidrio, automóviles y objetos similares.

⚠ Advertencia



Para reducir el riesgo de lesiones causadas por objetos arrojados y contacto con la

cuchilla, nunca maneje la orilladora sin que tenga instalados debidamente el deflector y la faldilla. No trate de alcanzar más lejos de lo debido. Mantenga los pies bien apoyados y equilibrados en todo momento.

⚠ Advertencia



Para reducir el riesgo de contacto con la cuchilla, mantenga las manos y los pies lejos de la zona de corte.

⚠ Advertencia

La orilladora normalmente se usa a nivel del suelo con el accesorio de corte perpendicular al suelo. El uso de la orilladora sobre el nivel del suelo o con el accesorio de corte paralelo al suelo puede incrementar el riesgo de lesiones, dado que el accesorio de corte queda casi totalmente expuesto y la orilladora es más difícil de controlar. No use nunca la orilladora para recortar setos.

⚠ Advertencia

Cuando utilice la orilladora, evite cortar cerca de vallas, edificios, tocones, piedras u otros objetos de ese tipo que puedan causar contragolpe de la orilladora o daños a la cuchilla.

Además, tenga cuenta que en estos casos aumenta el riesgo de que ocurran rebotes. Si la orilladora choca contra un objeto extraño, siga los pasos dados a continuación: Apague el motor, desconecte el cable de la bujía, busque daños en la máquina y repárelos antes de volver a arrancar y usar este producto.

No la maneje usando el bloqueo de acelerador de arranque, pues no tendrá control de la velocidad del motor. Vea la sección en su manual del usuario sobre el uso correcto del control deslizante.

Si la herramienta de corte o el deflector se atasca o queda pegado, siempre apague el motor, desconecte el cable de la bujía y asegúrese que la herramienta de corte está detenida antes de limpiarla. Mantenga el cable alejado de la bujía para evitar el riesgo del arranque accidental del motor. Limpie el pasto, las malezas, etc. de la herramienta de corte en intervalos regulares.

Advertencia

Durante el corte, revise el apriete y la condición de la herramienta de corte en intervalos regulares. Si nota un cambio en el comportamiento de la herramienta, apague el motor inmediatamente, y revise el apriete de la tuerca que sujeta la herramienta y busque si hay grietas y daños en la herramienta de corte.

Si la orilladora vibra de modo anormal, apague el motor de inmediato y busque la causa de ello. La vibración generalmente es una señal de averías. Cambie inmediatamente las herramientas de corte que presenten grietas, torceduras, combadura, daños desgaste excesivo o que no tengan filo. Las herramientas en esas condiciones pueden romperse a alta velocidad y causar lesiones graves o mortales.

Advertencia

Una cuchilla suelta puede vibrar, agrietarse, romperse o salirse de la orilladora, lo que puede provocar lesiones graves o mortales. Asegúrese de que la cuchilla esté correctamente apretada. Utilice la llave suministrada o cualquier otra que tenga el largo adecuado para obtener el par de apriete adecuado. Si la cuchilla se suelta después de haberla apretado correctamente, deje de manejar la máquina inmediatamente. La tuerca de retención puede estar desgastada o dañada y debe ser sustituida.

No utilice nunca piezas no autorizadas para sujetar la cuchilla. Si no se utilizan las piezas debidas se puede causar el desprendimiento de la cuchilla y lesionar gravemente al operador o a las personas que encuentren en su proximidad. Si la cuchilla continúa floja, consulte al concesionario STIHL. No instale ninguna cuchilla a una máquina sin que todas las piezas requeridas estén correctamente instaladas. No use nunca una orilladora con una cuchilla suelta.

Advertencia

No toque nunca con las manos o cualquier parte del cuerpo una herramienta de corte que está girando. La herramienta sigue girando por un rato después que se suelta el gatillo de aceleración (efecto de volante).

Ajustes importantes

Advertencia

Cuando el ralenti está correctamente regulado, la herramienta de corte no debe girar. Para instrucciones de ajuste del ralenti, vea la sección correspondiente en el manual del usuario.

No utilice la orilladora si su velocidad de ralentí está mal ajustada. Se puede ajustar la velocidad siguiendo las instrucciones dadas en el manual. Si no puede regular correctamente el ralentí, pida a su concesionario STIHL que revise la orilladora y haga los ajustes o reparaciones correspondientes.

Instrucciones de manejo

Utilícela únicamente para orillar pasto, malezas y plantas verdes blandas.

Advertencia

Durante el uso, siga todas las precauciones de seguridad mencionadas en la sección de seguridad de este manual. El uso indebido de cualquier orilladora puede causar lesiones graves o mortales.

Para reducir el riesgo de lesionarse los ojos, siempre use gafas protectoras adecuadas y maneje la máquina desde una posición en la cual los protectores o deflectores bloqueen la trayectoria visual a la herramienta de corte.

Apague el motor toda vez que se abandone la posición de funcionamiento.

Mantenimiento, reparación y almacenamiento

Los trabajos de mantenimiento, reemplazo o reparación de los dispositivos y sistemas de control de emisiones de escape pueden ser realizados por cualquier taller o técnico de motores no diseñados para vehículos. Sin embargo, si usted está reclamando servicio de garantía para algún componente que no ha sido reparado o mantenido debidamente, o cuando se utilizan repuestos no autorizados, STIHL puede denegar la garantía.

Utilice solamente piezas de repuesto de STIHL para el mantenimiento y reparación. La utilización de piezas fabricadas por otras empresas puede causar lesiones graves o mortales.

Siga las instrucciones de mantenimiento y reparación dadas en la sección correspondiente del manual del usuario. Consulte la tabla de mantenimiento en las últimas páginas de este manual.

Advertencia

Siempre apague el motor, desconecte el cable de la bujía y asegúrese que la herramienta de corte está detenida antes de hacer cualquier trabajo de mantenimiento, reparación o limpieza de la orilladora. Mantenga el cable alejado de la bujía para evitar el riesgo del arranque accidental del motor.

Nunca intente hacer ajuste alguno mientras el motor se encuentre en marcha (salvo en caso que así se indique específicamente en este manual).

No intente hacer ningún trabajo de mantenimiento o reparación que no esté descrito en su manual del usuario. Este tipo de trabajo debe realizarse únicamente en el taller de servicio de STIHL. No modifique el gobernador del motor ni ponga el motor en marcha a sobrevelocidad.

Nunca repare los accesorios de corte dañados aplicándoles soldadura, enderezándolos o modificándoles su forma. Esto puede causar el desprendimiento de alguna pieza de la herramienta de corte y producir lesiones graves o mortales.

Revise la condición de la herramienta de corte en intervalos cortos regulares. Si nota algún cambio en el comportamiento de la herramienta, revise inmediatamente el apriete y busque señales de agrietamiento. Sustituya las herramientas de corte dañadas o desafiladas inmediatamente, incluso si tienen sólo alguna grieta superficial.

Revise si la tapa de llenado tiene fugas periódicamente. Use la bujía especificada y asegúrese de que ella y el cable de encendido están en buen estado.

Técnicas de trabajo

⚠ Advertencia

Un silenciador desgastado o dañado constituye un riesgo de incendios y puede causar la pérdida del oído. Compruebe que el silenciador se encuentra en buenas condiciones. No use la orilladora si el silenciador no funciona correctamente o si ha sido retirado.

Recuerde que el riesgo de incendios forestales es mayor durante las estaciones calurosas.

Utilice el silenciador con chispero provisto con la máquina. No toque nunca un silenciador caliente, puede quemarse.

⚠ Advertencia

Para reducir el riesgo de incendios, no modifique ni retire parte alguna del silenciador ni del chispero.

Apriete todas las tuercas, pernos y tornillos, excepto los tornillos de ajuste del carburador, después de cada uso.

Mantenga apretadas y limpias tanto la bujía como la conexión de su alambre. Revise la separación entre electrodos de la bujía con un calibrador de espesores por lo menos cada 50 horas de funcionamiento y ajústela de ser necesario. Instale una bujía nueva si sus electrodos están muy picados.

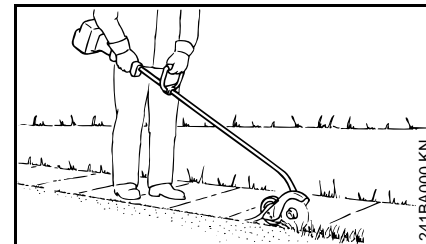
Además, es imprescindible seguir el programa de mantenimiento diario indicado en el manual del usuario de la orilladora STIHL.

Para todo trabajo de mantenimiento, sírvase consultar la tabla de mantenimiento y **la declaración de garantía** que se encuentra al final de este manual.

Guarde la orilladora en un lugar seco, elevado o con llave, fuera del alcance de los niños.

Antes de guardarla durante un período de más de algunos días, siempre vacíe el tanque de combustible.

Nunca guarde la máquina con combustible en su tanque dentro de un edificio en el cual los vapores puedan alcanzar una llama descubierta o chispas, ni tampoco la guarde en un espacio cerrado tal como el baúl de un automóvil.

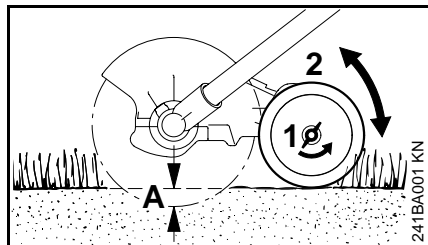


La orilladora ha sido diseñada para formar orillas bien definidas alrededor de prados y jardines de flores. Puede cortar casi todo tipo de pastos, malezas y plantas verdes blandas.

Preparaciones

Si el suelo está muy seco, humidézcalo con agua antes de empezar a trabajar. Esto ablanda el suelo y reduce la cantidad de polvo que se levanta. Las plantas verdes son más fáciles de cortar cuando están húmedas.

- Inspeccione la zona de trabajo y quite los obstáculos (piedras, grava, vidrio, etc.) para reducir el riesgo de lesiones causadas por objetos lanzados.
- Planifique de antemano la mejor trayectoria para el orillado, es decir, el punto de partida, los cambios de dirección, etc. Siempre sujete y maneje la orilladora hacia el lado derecho de su cuerpo.



Ajuste de la profundidad de corte

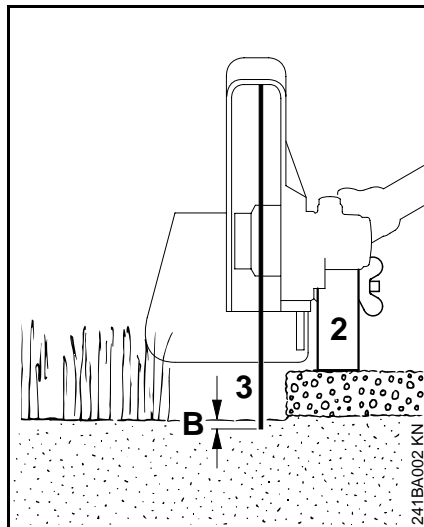
- Apague el motor y espere a que la cuchilla de corte se detenga por completo.
- Afloje la tuerca mariposa (1) en sentido contrahorario
- Ajuste la rueda (2):

Hacia arriba

para aumentar la profundidad de corte (A).

Hacia abajo

para reducir la profundidad de corte (A).



Ajuste correcto

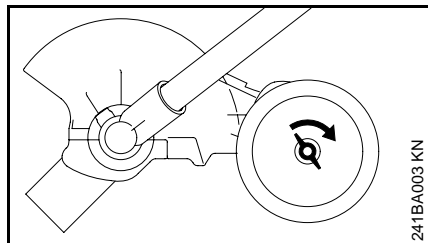
La profundidad de corte varía según las irregularidades del terreno, la altura del operador y la forma de sujetar la orilladora.

- Utilice el procedimiento siguiente:
Ajuste la rueda (2) de modo que la cuchilla (3) apenas toque el suelo o penetre la superficie del suelo por no más de 0,2 pulg (5 mm) (B) en la posición normal de trabajo.

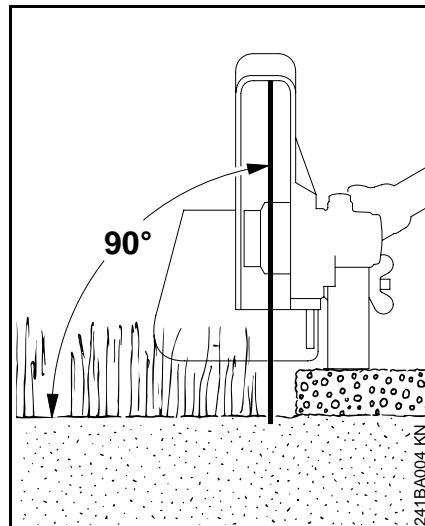


⚠ No ajuste el deflector!

El deflector ha sido ajustado por el fabricante de modo que su flecha y su lado abierto apuntan en sentido opuesto al operador. Esto asegura que el material cortado y la basura sean lanzados en sentido opuesto a la máquina y al operador.

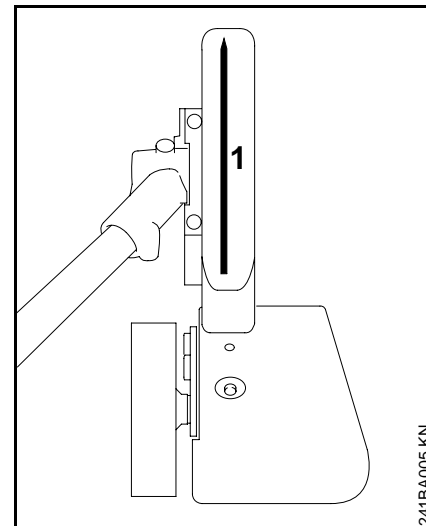


- Apriete la tuerca mariposa en sentido horario.
- Mientras se está parado en la posición de trabajo normal, revise la profundidad de corte nuevamente y ajústela de ser necesario.



Orillado

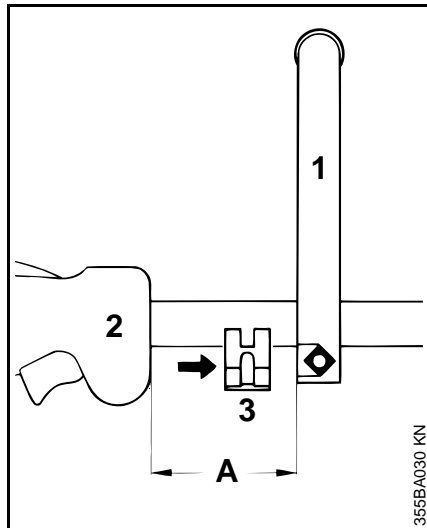
- Arranque el motor.
- Inicie el corte con el motor a un valor intermedio de aceleración y continúe el corte a aceleración máxima.
- Sujete la máquina y guíela de modo que la cuchilla esté en posición vertical.
- Haga los cortes de modo uniforme para evitar que la velocidad del motor se reduzca significativamente – ¡No aplique fuerza hacia abajo!
- Camine a un paso normal mientras se corta.
- ¡No empuje la cuchilla para meterla en el suelo!



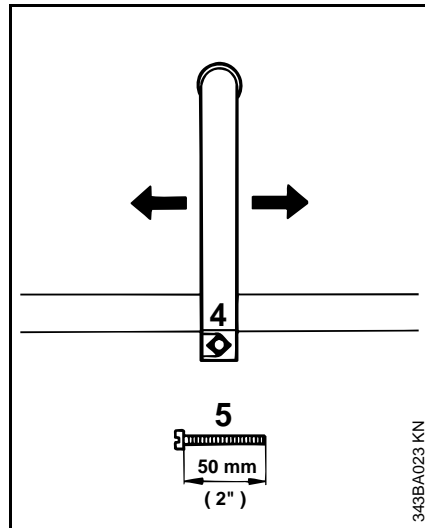
- Siempre camine hacia adelante al cortar, nunca tire de la máquina hacia su persona.
- Corte a un paso uniforme para evitar tener que hacer varias pasadas.

1 = Mira para la cuchilla.

Montaje del mango tórico



- Fije el mango tórico (1) en el tubo de mando, a aproximadamente 8 pulg / 20 cm (A) delante del mango de control (2).
- Coloque la abrazadera (3) contra el tubo de mando y deslícela hacia el mango tórico.

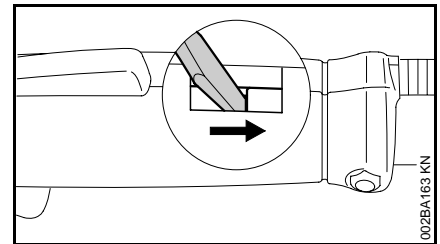


- Instale la tuerca cuadrada (4) en el mango tórico, inserte el tornillo (5) por el otro lado y apriételo bien firme.
- Ajuste del mango tórico a la posición más cómoda:**
- Suelte el tornillo de fijación (5).
 - Deslice el mango tórico a lo largo del tubo de mando a la posición deseada y vuelva a apretar el tornillo de fijación.

Ajuste del cable del acelerador

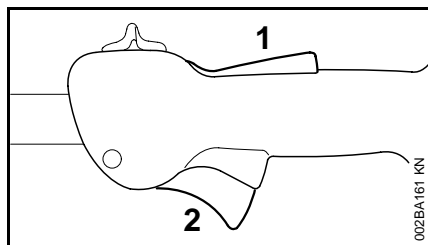
💡 Un cable del acelerador correctamente ajustado es necesario para el funcionamiento correcto en las posiciones de máxima aceleración, arranque y ralenti.

Ajuste el cable del acelerador únicamente después de haber armado la máquina completamente

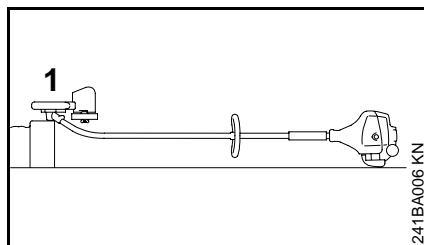


- Utilice una herramienta adecuada para empujar la pieza deslizante hasta la parte inferior de la ranura.

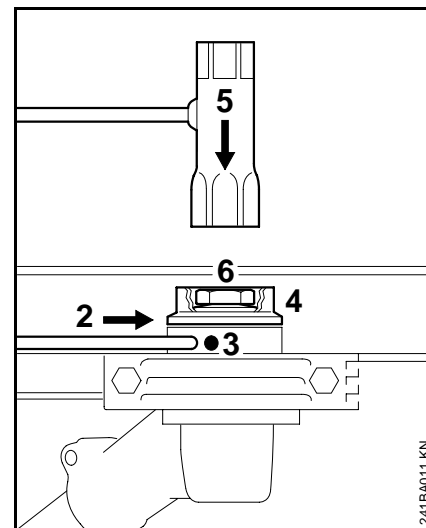
Colocación de la cuchilla de la orilladora



- Oprima el bloqueo (1) y oprima el gatillo de aceleración (2) (aceleración máxima) – esto ajusta el cable del acelerador correctamente.



- Coloque la orilladora sobre un soporte adecuado, de modo que el montaje de la cuchilla (1) quede orientado hacia arriba.

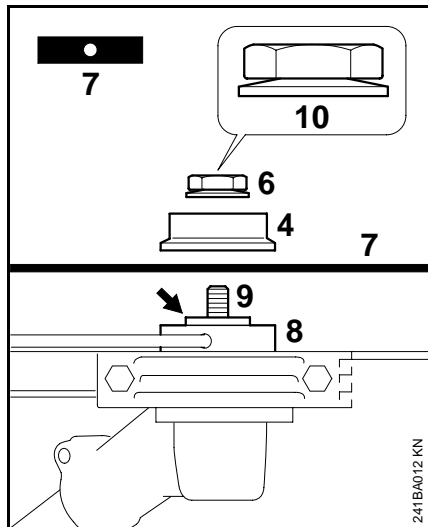


- Inserte el pasador de tope* o un destornillador descentrado* (2) hasta donde sea posible en la cavidad (3) – empujelo levemente y gírelo en uno y otro sentido **junto con** la arandela de empuje (4) hasta que el eje impulsor quede bloqueado.
- Coloque la llave combinada (5) en la tuerca (6).
- Afloje la tuerca en sentido horario (roscas izquierdas) y retírela.
- Quite la arandela de empuje.

* vea "Guía para el uso de este manual"

Motor 4-MIX

Combustible



- Coloque la cuchilla (7) en la placa de empuje (8).
- ⚠ El collar (**vea la flecha**) debe encajar en el agujero en la cuchilla.
- Coloque la arandela de empuje (4) en el eje (9).
- Bloquee el eje.
- Atornille la tuerca (6) en sentido contrahorario en el eje y apriétela firmemente.
- ⚠ Si el resorte acopado (10) en la tuerca (6) se debilita, instale una tuerca nueva.

El motor **STIHL 4-MIX** se lubrica con gasolina y aceite y debe funcionar con una **mezcla** de gasolina y aceite para motor.

Por lo demás, es un motor de cuatro tiempos.

Este motor está certificado para funcionar con una mezcla de 50 a 1 de gasolina sin plomo y aceite STIHL para motores de dos tiempos.

Su motor requiere una mezcla de gasolina de calidad y aceite de calidad para motores de dos tiempos enfriados por aire.

Use gasolina sin plomo regular con un octanaje mínimo de 89 (R+M/2). Si el octanaje de la gasolina regular en su zona es más bajo, use combustible sin plomo superior.

El combustible de octanaje bajo puede aumentar la temperatura de funcionamiento del motor. Esto, a su vez, aumenta el riesgo de que se agarrote el pistón y se dañe el motor.

La composición química del combustible también es importante. Algunos aditivos de combustible no solamente tienen efectos perjudiciales en los elastómeros (diafragmas de carburador, sellos de aceite, tuberías de combustible, etc.), sino también en las piezas fundidas de magnesio y en los convertidores catalíticos. Esto podría causar problemas de funcionamiento e incluso daño del motor. Por esta razón, STIHL recomienda el uso exclusivo de gasolina sin plomo de buena calidad.

Llenado de combustible

Use solamente el aceite STIHL para motores de dos tiempos o un aceite de marca equivalente para motores de dos tiempos diseñado para usar exclusivamente con los motores de dos tiempos enfriados por aire.

Recomendamos el aceite STIHL para motores de dos tiempos 50:1 pues está especialmente formulado para usarse en motores STIHL.

No use aceites para mezclar con designaciones BIA o TCW (para motores de dos tiempos enfriados por agua) ni otros aceites para mezclar diseñados para usar en motores enfriados por agua o por aire (por ejemplo, para motores marinos fuera de borda, motonieves, sierras de cadenas, bicimotos, etc.).

Manipule la gasolina con sumo cuidado. Evite el contacto directo con la piel y evite inhalar los vapores de combustible. Cuando se reabastece de combustible, quite primero el envase del vehículo y colóquelo en el suelo antes de llenarlo. No llene un envase que está en un vehículo o apoyado sobre el mismo.

Mantenga el envase bien cerrado para evitar la entrada de humedad a la mezcla.

Según sea necesario, limpie el tanque de combustible de la máquina y el envase en que se guarda la mezcla de combustible.

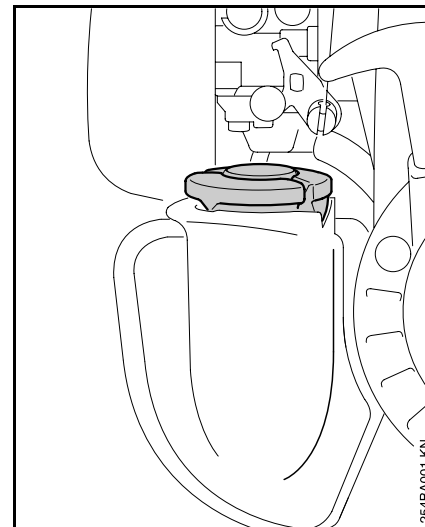
Duración de la mezcla de combustible

Mezcle una cantidad suficiente de combustible para trabajar unos pocos días, no lo guarde por más de 3 meses. Guárdelo únicamente en envases aprobados para combustible. Para el proceso de mezclado, vierta el aceite en el envase primero y luego agregue la gasolina. Cierre el envase y agítelo vigorosamente a mano para asegurar que se mezclen bien el aceite y la gasolina.

Gasolina Aceite (STIHL 50:1 ó aceite de calidad equivalente)

gal EE.UU.	oz fl EE.UU.
1	2.6
2 1/2	6.4
5	12.8

Deseche los envases vacíos usados para mezclar el aceite únicamente en vertederos autorizados para ello.

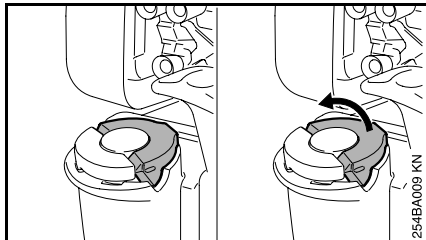


Antes de llenar la máquina con combustible, limpie a fondo la tapa de llenado y la zona alrededor del mismo para evitar la entrada de tierra al tanque.

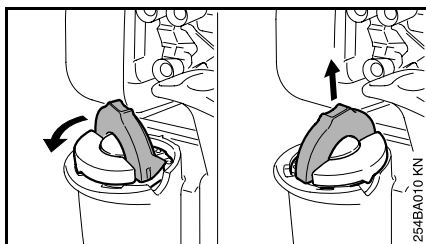
Siempre agite la mezcla vigorosamente en el recipiente antes de llenar la máquina con combustible.

⚠ Para reducir el riesgo de quemaduras, así como otras lesiones corporales ocasionadas por los escapes de vapor de gasolina y otras emanaciones, quite la tapa de llenado de combustible cuidadosamente de modo que la presión que se pueda haber acumulado en el tanque se disipe lentamente.

Apertura de la tapa

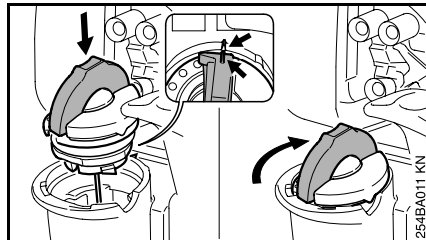


- Levante la empuñadura hasta que esté vertical.

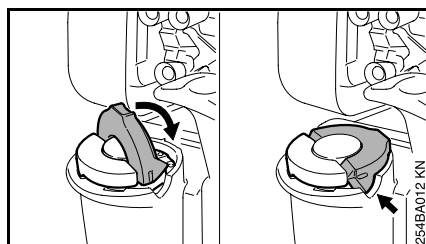


- Gire la tapa en sentido contrahorario (aprox. un cuarto de vuelta).
- Quite la tapa de llenado.

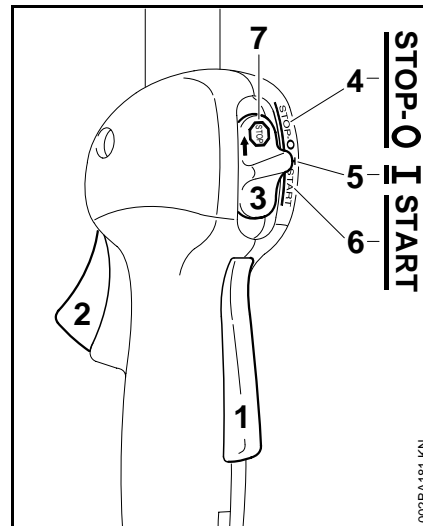
Cierre de la tapa



- Coloque la tapa, con la empuñadura en posición vertical y las marcas alineadas.
- Gire la tapa en sentido horario hasta donde tope (aprox. un cuarto de vuelta).



- Doble la empuñadura dejándola a ras con la parte superior de la tapa.
- Si no queda totalmente a ras y el tope en la empuñadura no encaja en el hueco en el cuello de llenado, la tapa está mal asentada y apretada y se deberán repetir los pasos anteriores.



Controles

Palanca de control en manillar tipo bicicleta

- Bloqueo del gatillo de aceleración (1)
- Gatillo de aceleración (2)
- Control deslizante (3)



Posiciones del control deslizante

STOP - O (4) – motor apagado – el encendido está desconectado

I – posición de funcionamiento normal
(5) – el motor está en marcha o puede arrancarse.

START (6) – el encendido está conectado y es posible arrancar el motor.

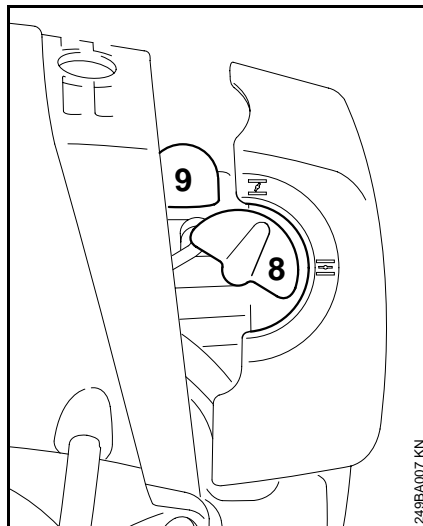
Símbolo en el control deslizante


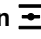
-  (7)– símbolo de parada y flecha. Para apagar el motor, mueva el control deslizante en el sentido indicado por la flecha () a **STOP-O**

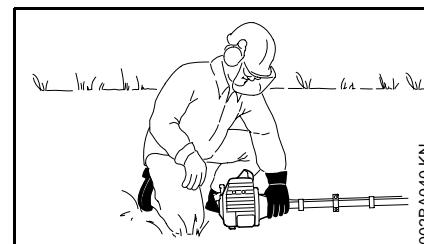
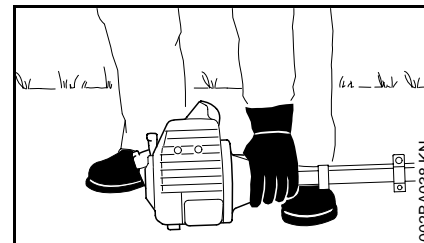
Arranque


- Mantenga oprimido el bloqueo del gatillo y oprima el gatillo de aceleración.
- Mantenga las dos palancas en esa posición.
- Mueva el control deslizante a **START** y manténgalo en esa posición.

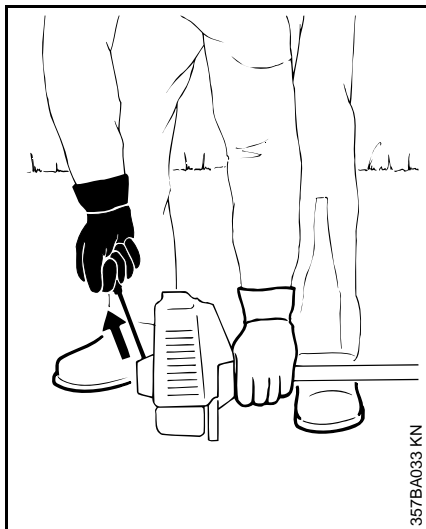
Ahora suelte el gatillo de aceleración, el control deslizante y el bloqueo del gatillo, en el orden indicado. Esta es la **posición de arranque del acelerador**.



- Ajuste la perilla del estrangulador (8):
Para arranque en frío en 
Para arranque en caliente en 
 aunque el motor haya estado funcionando pero todavía está frío
- Pulse el bulbo (9) de la bomba de combustible por lo menos cinco veces, aunque el bulbo esté lleno de combustible.



- Coloque la máquina sobre el suelo. Debe quedar firmemente apoyada en el soporte del motor y el deflector. Verifique que la herramienta de corte no esté tocando el suelo ni ningún otro obstáculo.
 - Asegúrese de tener los pies bien apoyados.
 - Sujete la máquina con la mano izquierda y empuje hacia abajo **firmemente** - el pulgar debe estar debajo de la caja del ventilador.
-  No se pare ni se arrodille sobre el tubo de mando.



- Con la mano derecha tire lentamente del mango de arranque hasta que sienta una resistencia definitiva y en seguida dele un tirón fuerte y rápido. No tire de la cuerda de arranque totalmente hasta afuera, se podría cortar.
- No deje que el mango de arranque salte bruscamente hacia atrás. Guíelo lentamente hacia el interior de la caja para que la cuerda de arranque se enrolle correctamente.

- Haga girar el motor hasta que empiece a encenderse. Luego de no más de **cinco intentos**, gire la palanca del estrangulador a

- siga intentando el arranque.

Cuando el motor empieza a encenderse:

- Oprima el gatillo de aceleración momentáneamente de modo que el control deslizante se desplace a la posición de marcha **I**, y el motor retorne a aceleración de ralentí.



Asegúrese que el carburador esté correctamente ajustado; la herramienta de corte no debe girar cuando el motor está funcionando a ralentí.

Su máquina está lista para trabajar.

Apagado del motor

- Mueva el control deslizante en el sentido indicado por la flecha a **STOP-O**

A temperaturas ambiente muy bajas

Tan pronto arranque:

- Accione momentáneamente el gatillo de aceleración para desconectarlo de la posición de arranque. El control deslizante se desplace a la posición de marcha **I** y el motor retorna a aceleración de ralentí.
- Abra el acelerador ligeramente.
- Caliente el motor por un tiempo breve.

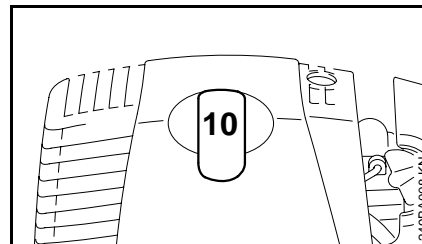
Si el motor no arranca

Perilla de estrangulador

Si no se movió la perilla del estrangulador a en un tiempo suficientemente corto después que el motor empezó a encenderse, la cámara de combustión se encuentra "ahogada".

- Gire la perilla del estrangulador a
- Elija la posición de arranque del acelerador.
- Arranque el motor tirando enérgicamente de la cuerda de arranque. Puede ser necesario hacer 10 a 20 intentos.

Si el motor todavía no arranca:



- Mueva el control deslizante a la posición **STOP-O**.
- Quite el casquillo de la bujía (**10**).

Instrucciones de manejo

- Destornille y seque la bujía.
- Abra el acelerador al máximo.
- Haga girar el motor varias veces con el arrancador para despejar la cámara de combustión.
- Vuelva a instalar la bujía.
- Conecte el casquillo de la bujía (empújelo firmemente).
- Mueva el control deslizante a la posición **START**.
- Ponga la perilla del estrangulador en $\overline{\text{I}}$ – aun si el motor está frío.
- Ahora arranque el motor.

Ajuste del cable del acelerador

- Revise el ajuste del cable del acelerador – vea el capítulo "Ajuste del cable del acelerador".

Se agotó el combustible

- Después de llenar el tanque, oprima el bulbo de la bomba de combustible por lo menos cinco veces, aunque el bulbo esté lleno de combustible.
- Ajuste la perilla del estrangulador según la temperatura del motor.
- Ahora arranque el motor.

Durante el período de rodaje

Una máquina nueva no debe hacerse funcionar a velocidad alta (aceleración máxima sin carga) por el lapso que tome llenar el tanque tres veces. Esto evita la imposición de cargas innecesariamente altas durante el período de rodaje. Puesto que todas las piezas móviles necesitan un período de rodaje, las resistencias causadas por la fricción en el motor son mayores durante este período. El motor desarrolla su potencia máxima después de haber llenado el tanque de 5 a 15 veces.

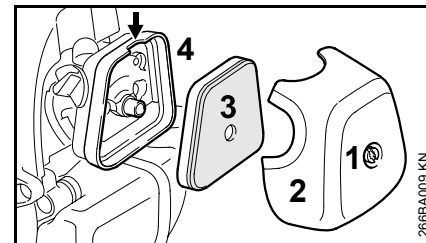
Durante el funcionamiento

Después de un período largo de funcionamiento con el acelerador a fondo, deje funcionar el motor por un rato en ralentí de modo que el calor en el motor sea disipado por la corriente de aire de enfriamiento. Esto ayuda a evitar que los componentes montados en el motor (encendido, carburador) sufran sobrecargas térmicas.

Después de terminar el trabajo

Espera que el motor se enfríe. Vacíe el tanque de combustible. Almacene la máquina en un lugar seco. Revise el apriete de las tuercas y tornillos (no los tornillos de ajuste) periódicamente y vuelva a apretar según sea necesario.

Limpeza del filtro de aire



La suciedad en el filtro de aire reduce la potencia del motor, aumenta el consumo de combustible y dificulta el arranque del motor.

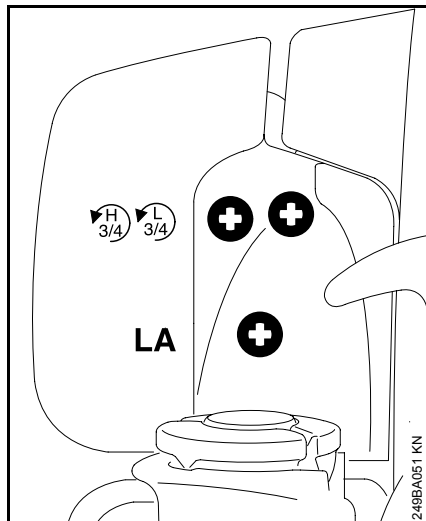
Si se produce una pérdida notable de potencia del motor:

- Perilla del estrangulador en $\overline{\text{I}}$.
- Retire el tornillo (1) y saque la cubierta del filtro (2).
- Limpie toda la suciedad de alrededor del filtro.
- Agarre el elemento de filtro (3) en la muesca (identificada por la flecha) en la caja del filtro (4) y sáquelo.
- Coloque un elemento nuevo en el filtro. Como una medida provisoria, es posible limpiarlo golpeándolo en la palma de la mano o soplando con aire comprimido. **No lo lave.**
- Sustituya las piezas dañadas.
- Instale el elemento del filtro en la caja del filtro.
- Vuelva a colocar la cubierta del filtro.
- Inserte el tornillo y apriételo bien firme.

Manejo del motor

Las emisiones de gases de escape son controladas por el diseño de parámetros y componentes fundamentales del motor (por ej. carburación, encendido, regulación y regulación de la válvula o lumbrera) sin la adición de ningún equipo importante.

Ajuste del carburador



El carburador se ajusta en la fábrica.

Este ajuste provee una mezcla óptima de combustible y aire bajo la mayoría de las condiciones de funcionamiento.

Con este carburador es posible ajustar la velocidad de ralentí del motor únicamente dentro de una gama pequeña.

Ajuste normal

- Apague el motor.
- Instale el accesorio o la herramienta de corte.
- Revise el filtro de aire y límpielo o sustitúyalo de ser necesario.
- Revise el ajuste del cable del acelerador y reajústelo de ser necesario – vea "Ajuste del cable del acelerador".
- Revise el chispero del silenciador (no se instala en todos los países) y límpielo o sustitúyalo de ser necesario.
- Atornille cuidadosamente los dos tornillos de ajuste en sus asientos (sentido horario).
- Abra el tornillo de velocidad alta (**H**) $\frac{3}{4}$ de vuelta.
- Abra el tornillo de velocidad baja (**L**) $\frac{3}{4}$ de vuelta.
- Arranque el motor y caliéntelo.
- Ajuste la velocidad de ralentí con el tornillo (**LA**) hasta que la herramienta deje de girar. Abra el acelerador al máximo.

Ajustes finos

Puede ser necesario efectuar un ajuste ligero del tornillo de velocidad alta (**H**) si la potencia del motor no es adecuada para trabajar en grandes altitudes o al nivel del mar o después de cambiar la herramienta.

Regla general


- Gire el tornillo de ajuste de velocidad alta (**H**) aproximadamente un cuarto de vuelta por cada 1000 metros (3300 pies) de cambio de altura.
- Lleve a cabo el ajuste normal.
- Caliente el motor por aproximadamente 3 minutos.
- Abra el acelerador al máximo

En alturas grandes

- Gire el tornillo de alta velocidad (**H**) en sentido horario (mezcla más pobre), pero no más allá del tope, hasta que no haya un aumento notable de velocidad del motor.

Al nivel del mar

- Gire el tornillo de alta velocidad (**H**) en sentido contrahorario (mezcla más rica), pero no más allá del tope, hasta que no haya un aumento notable de velocidad del motor.

 Es posible que se alcance la velocidad máxima del motor con el ajuste normal en cada caso.

Ajuste de ralenti

Generalmente es necesario cambiar el ajuste del tornillo de ralenti (**LA**) después de cada corrección hecha al tornillo de velocidad baja (**L**).

- Caliente el motor por aproximadamente 3 minutos.

El motor se para durante el funcionamiento a ralenti

- Gire lentamente el tornillo de ajuste de ralenti (**LA**) en sentido horario hasta que el motor funcione de modo suave – la herramienta no debe girar.

La herramienta de corte gira cuando el motor funciona a ralenti

- Gire el tornillo de ralenti (**LA**) lentamente en sentido contrahorario hasta que la herramienta se detenga y luego gire el tornillo aproximadamente otra media vuelta a tres cuartos de vuelta en el mismo sentido.

Funcionamiento irregular a ralenti, el motor se para aunque se ha corregido el ajuste del tornillo LA, aceleración inadecuada

Ajuste de ralenti con mezcla **muy pobre**:

- Gire el tornillo de ajuste de velocidad baja (**L**) en sentido contrahorario (sin pasar más allá del tope) hasta que el motor funcione y se acelere de modo uniforme.

Funcionamiento irregular a ralenti

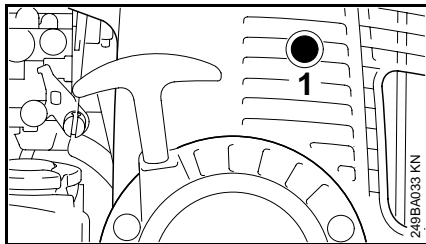
Ajuste de ralenti con mezcla **muy rica**:

- Gire el tornillo de ajuste de velocidad baja (**L**) en sentido horario (sin pasar más allá del tope) hasta que el motor funcione y se acelere de modo uniforme.

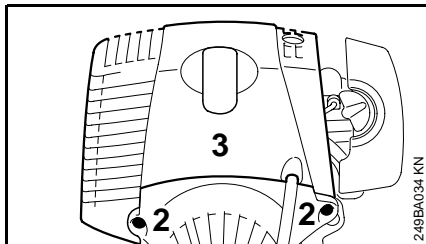
Chispero en el silenciador

El chispero es un elemento opcional instalado en algunas máquinas.

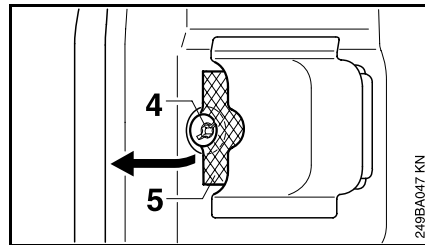
- Si el motor pierde potencia, revise el chispero del silenciador.
- Espere que el silenciador se enfríe.



- Mueva el control deslizante a la posición **STOP-O**.
- Saque el tornillo (1).

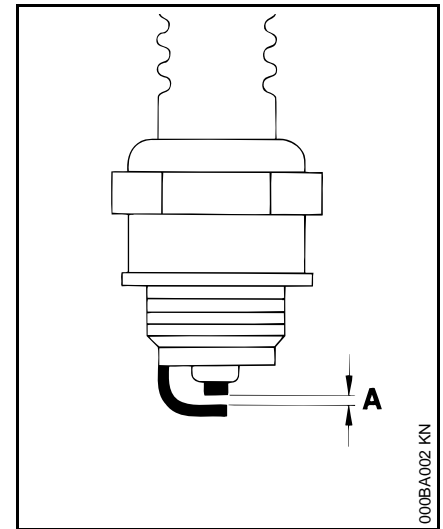


- Saque los tornillos (2).
- Levante la envuelta (3) para quitarla.



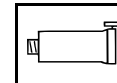
- Saque el tornillo (4).
- Levante el chispero (5) y extráigalo.
- Limpie el chispero de ser necesario – si está dañado o recubierto de carbón, instale uno nuevo.
- Vuelva a instalar el chispero.
- Inserte el tornillo y apriételo.
- Instale la envuelta.

Revisión de la bujía



Si la mezcla del combustible es incorrecta (demasiado aceite en la gasolina), el filtro de aire está sucio, y las condiciones de trabajo no son favorables (especialmente a aceleraciones intermedias) se afecta la condición de la bujía.) Estos factores permiten la formación de depósitos en la punta aislante, los cuales pueden perjudicar el rendimiento.

Lubricación de caja de engranajes



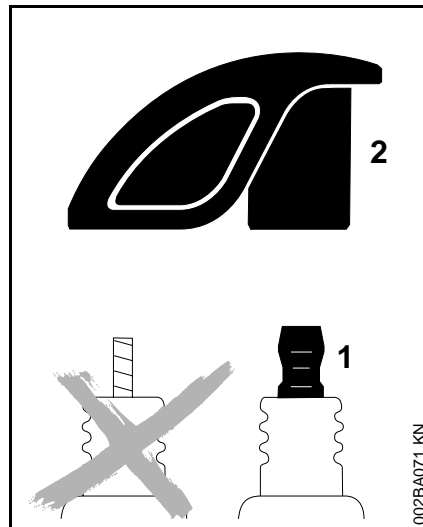
Si el motor pierde potencia, es difícil arrancarlo o funciona de modo irregular a ralentí, revise la bujía primero.

- Quite la bujía de la manera descrita en el capítulo "Arranque / parada del motor".
- Limpie la bujía si está sucia.
- Revise la distancia entre electrodos (A) y ajústela según se requiera – vea las "Especificaciones".
- Utilice únicamente bujías tipo resistencia cuyo margen de rendimiento sea el aprobado.

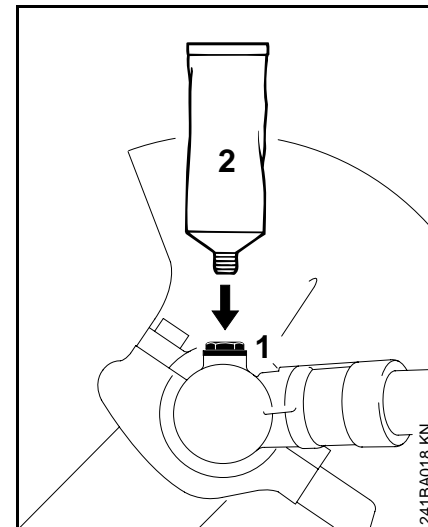
Corrija los problemas que hayan causado la contaminación de la bujía:

- Demasiado aceite en la mezcla de combustible.
- Filtro de aire sucio.
- Condiciones desfavorables de funcionamiento, por ejemplo, funcionando bajo carga parcial.

Instale una bujía nueva después de aprox. 100 horas de funcionamiento, o más temprano si los electrodos están muy gastados.

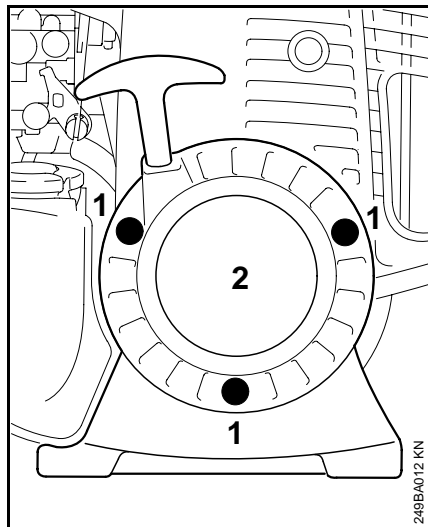


⚠ Para reducir el riesgo de incendio y de quemaduras, utilice solamente las bujías autorizadas por STIHL. Siempre inserte el casquillo (2) de la bujía bien apretado en el borne (1) del tamaño adecuado. (Nota: Si el borne tiene una tuerca adaptadora SAE desmontable, tiene que ser instalada.) Una conexión suelta entre el casquillo de la bujía y el conector del cable de encendido en el casquillo puede crear un arco voltaico y encender los vapores del combustible, provocando un incendio.



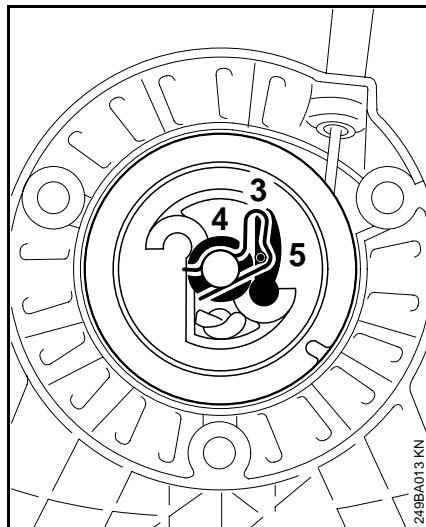
- Revise el nivel de grasa periódicamente, aproximadamente cada 25 horas de funcionamiento.
- Destornille el tapón de llenado (1). Si no se ve grasa en el interior del tapón, atornille el tubo (2) del lubricante para engranajes STIHL especial para cortadoras de matorrales – vea "Accesorios especiales" – en el agujero de llenado.
- Introduzca 1/5 oz (5 g) de grasa dentro de la caja de engranajes.
- **⚠** No llene completamente con grasa la caja de engranajes.
- Vuelva a colocar el tapón de llenado y apriételo.

Sustitución de la cuerda de arranque y resorte de rebobinado

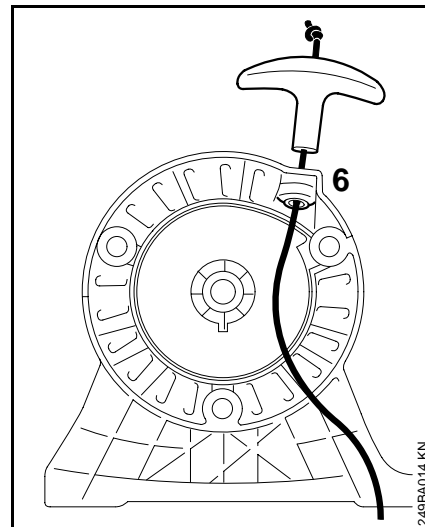


Sustitución de la cuerda de arranque

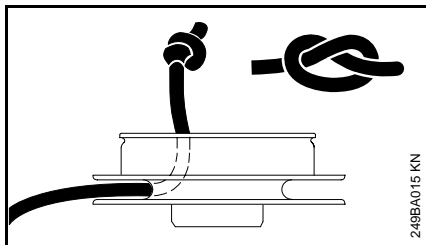
- Mueva el control deslizante en el sentido indicado por – flecha hacia **STOP-O**.
- Saque los tornillos (1).
- Levante la cubierta (2) del arrancador de la caja.



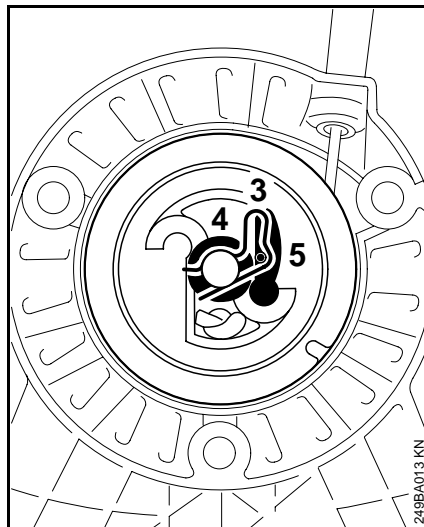
- Quite la pinza de resorte (3).
- Quite el rotor de la cuerda con la arandela (4) y el trinquete (5).



- Quite el resto de la cuerda del rotor y del mango.
- Haga un nudo de rizo sencillo en el extremo de la cuerda de arranque nueva (vea "Especificaciones") y después pase la cuerda por la parte superior del mango y por el buje de la cuerda (6).



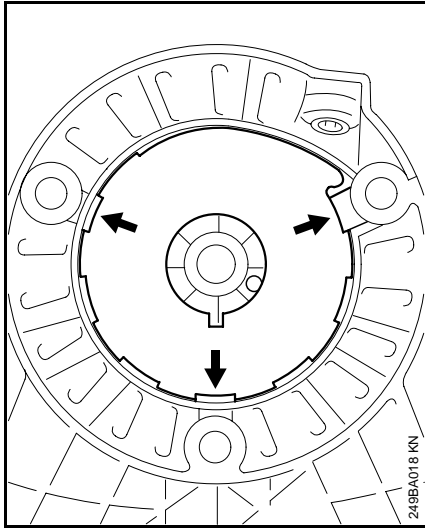
- Pase la cuerda a través del rotor y fíjela con un nudo de rizo simple.
- Cubra la cavidad del cojinete del rotor de la cuerda con aceite sin resina.
- Deslice el rotor en el poste del arrancador. Gírelo hacia uno y otro lado para engranar la espiral terminal del resorte de rebobinado.



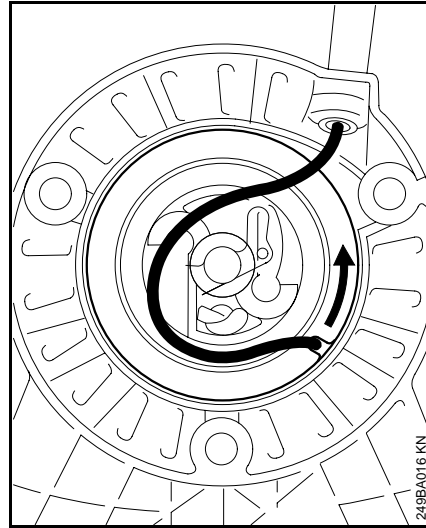
- Instale el trinquete (5) en el rotor.
- Instale la arandela (4) en el poste del arrancador.
- Use un destornillador o alicates adecuados para instalar la pinza de resorte (3) en el poste del arrancador y sobre el vástago del trinquete – la pinza de resorte debe apuntar en sentido contrahorario como se muestra en la ilustración.
- Pase a "Tensado del resorte de rebobinado".

Sustitución del resorte de rebobinado roto

- Quite el rotor de la cuerda de la forma descrita en "Sustitución de la cuerda de arranque".
- ⚠ Los pedazos de resorte todavía pueden estar bajo tensión y podrían salir lanzados cuando los saque de la caja. Para reducir el **riesgo de lesionarse**, póngase guantes, anteojos y protector facial.
- Retire la caja de resorte y retire las piezas del resorte.
- Lubrique el resorte nuevo con unas cuantas gotas de aceite sin resina.



- Coloque la caja de resorte nueva en las cavidades (flechas) – la placa inferior debe estar orientada hacia arriba.
- Empuje la caja de resorte dentro de la cubierta del arrancador.
- Instale el rotor de la cuerda de la forma descrita en "Tensado del resorte de rebobinado".
- Si el resorte se sale de la caja durante la instalación: Colóquelo nuevamente en sentido contrario, empezando desde el exterior y avanzando hacia adentro.



Tensado del resorte de rebobinado

- Forme un bucle con la cuerda de arranque sin enrollar y utilícelo para girar el rotor seis revoluciones completas en el sentido de la flecha.
- Sujete y mantenga el rotor inmóvil – tire de la cuerda y enderézela.
- Suelte el rotor de la cuerda.
- Suelte lentamente la cuerda para que se enrolle en el rotor. El mango de arranque debe quedar firmemente en el buje guía de la cuerda. Si el mango cae hacia un lado: Aumente la tensión del resorte una vuelta adicional.

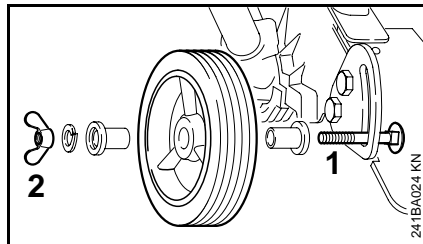
- Cuando la cuerda de arranque se extiende completamente, debe ser posible girar el rotor por lo menos media vuelta adicional. En caso contrario, el resorte está sobretensado y podría romperse. En tal caso, quítele una vuelta de la cuerda al rotor.
- Instale la cubierta del arrancador en la caja.
- Apriete los tornillos firmemente.

Almacenamiento de la máquina

Para intervalos de 3 meses o más

- Vacíe y limpie el tanque de combustible en una zona bien ventilada.
- Deseche los residuos de combustible y solución de limpieza de acuerdo con los requerimientos locales de protección del medio ambiente.
- Haga funcionar el motor hasta que el carburador se seque – esto ayuda a evitar que los diafragmas del carburador se peguen.
- Retire, limpie e inspeccione la cuchilla.
- Limpie la máquina a fondo – preste atención especial a las aletas del cilindro y al filtro de aire.
- Guarde la máquina en un lugar seco y elevado, o bajo llave – fuera del alcance de los niños y de otras personas no autorizadas.

Sustitución de la rueda reguladora de profundidad

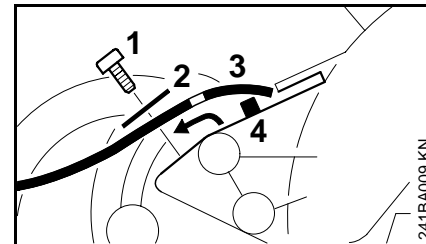


Pida al concesionario de servicio sustitución* la rueda reguladora de profundidad.

- Las roscas de la punta del tornillo (1) tienen pasta selladora para que la tuerca mariposa (2) quede apretada y no se pierda.

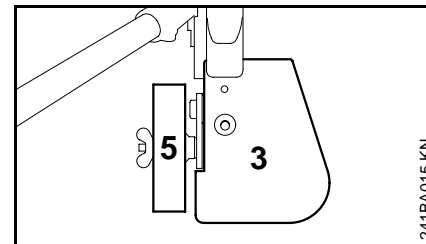
Es necesario aplicar una **fuerza de torsión extremadamente alta** para poder quitar la tuerca mariposa del tornillo. No se puede garantizar la eficacia de la pasta selladora si las piezas se vuelven a armar. En tal caso, pida al concesionario STIHL que sustituya el tornillo con la tuerca mariposa.

Sustitución de la faldilla



Retiro de la faldilla

- Afloje y retire el tornillo (1) junto con la arandela (2).
- Quite la faldilla (3) del espárrago (4) y sáquela del deflector.

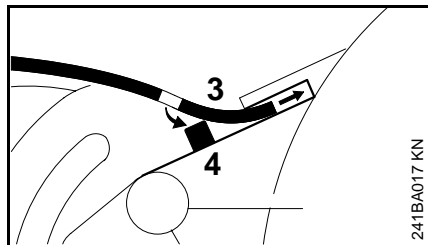


Posición de la faldilla

- Coloque la faldilla (3) en la posición correcta con respecto a la rueda reguladora de profundidad (5): **Si la rueda se encuentra en el lado izquierdo, la faldilla debe sobresalir hacia la derecha.**

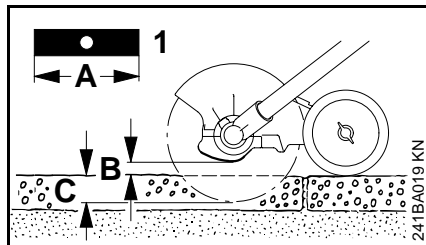
* STIHL recomienda que un concesionario de servicio STIHL efectúe este trabajo

Sustitución de la cuchilla de la orilladora



Colocación de la faldilla

- Meta la faldilla (3) en la ranura del deflector hasta que pueda engancharse en el espárrago (4).
- Coloque la arandela en el tornillo.
- Inserte el tornillo y apriételo bien firme.



Una cuchilla combada o con roturas no deberá enderezarse ni soldarse – esto puede hacer que se rompa por completo. Las cuchillas en ese estado deben sustituirse – vea "Colocación de la cuchilla de la orilladora".

STIHL recomienda usar exclusivamente las cuchillas de orilladora genuinas de STIHL – vea "Accesorios especiales".

- Sustituya la cuchilla (1) cuando su largo (A) deja de ser suficiente para mantener la altura necesaria sobre el suelo (B) y para obtener la profundidad de corte deseada (C).
Para evitar el desequilibrio: revise la cuchilla en un equilibrador STIHL – vea "Accesorios especiales".

¡No afile la cuchilla!

Inspecciones y mantenimiento por el concesionario

Captador de combustible en el tanque

- Cada año, pida que le sustituyan el captador de combustible en el tanque.

STIHL recomienda que solamente los concesionarios STIHL autorizados efectúen los trabajos de mantenimiento y reparación.

Tabla de mantenimiento

Por favor observe que los intervalos de mantenimiento dados a continuación corresponden únicamente a condiciones normales de trabajo. Si su jornada diaria es más larga que lo normal o las condiciones de corte son difíciles (suelo duro, etc.), acorte los intervalos especificados de acuerdo a ello.		Antes de empezar a trabajar	Después de terminar el trabajo o diariamente	Después de cada parada para cargar combustible	Semanalmente	Mensualmente	Anualmente	Si falla	Si tiene daños	Según se requiera
Máquina completa	Inspección visual (condición general, fugas)	X		X						
	Limpiar		X							
Mango de control	Comprobar funcionamiento	X		X						
Filtro de aire	Limpiar							X		X
	Reemplazar								X	
Cuerpo aspirador en el tanque de combustible	Revisar al concesionario de servicio su sustitución ¹⁾							X		
	Reemplazar al concesionario de servicio su sustitución ¹⁾					X				X
Tanque de combustible	Limpiar						X			X
Carburador	Comprobar el ajuste de ralentí; la cuchilla no debe girar	X		X						
	Ajustar el ralentí									X
Bujía	Ajustar la distancia entre electrodos							X		
	Cambiar después de aprox. 100 horas de funcionamiento									
Abertura de admisión de aire de enfriamiento	Inspección visual		X							
	Limpiar									X
Chispero* en silenciador	Inspeccionar		X					X		
	Limpiar o reemplazar								X	X
Juego de las válvulas	Revisar y ajustar de ser necesario, después de aprox. 139 horas de funcionamiento									X
Cámara de combustión	Descarbonizar después de 139 horas de funcionamiento y luego después de cada 150 horas de funcionamiento.									X
Chispero en silenciador*	Inspeccionar		X					X		
	Reemplazar								X	X

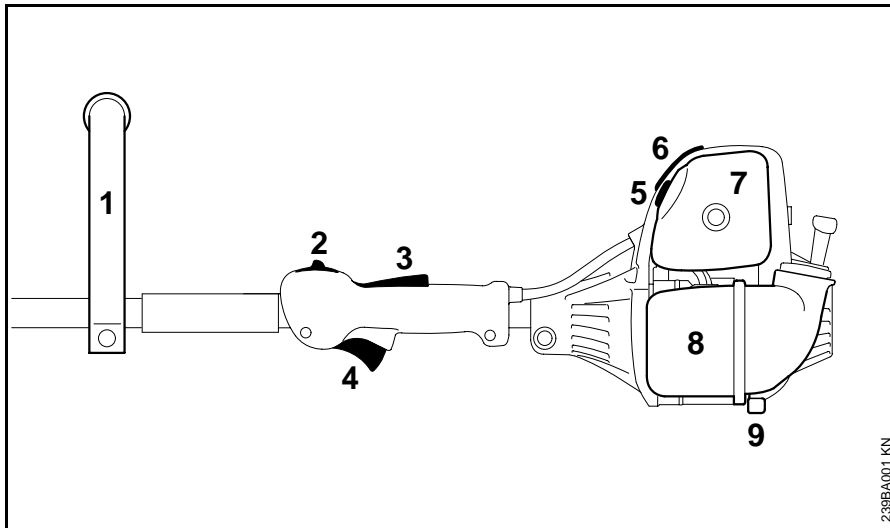
* vea "Guía para el uso de este manual"

¹⁾ STIHL recomienda acudir a un concesionario STIHL para servicio

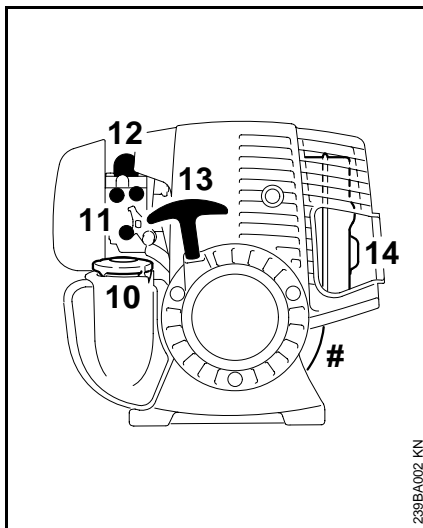
Por favor observe que los intervalos de mantenimiento dados a continuación corresponden únicamente a condiciones normales de trabajo. Si su jornada diaria es más larga que lo normal o las condiciones de corte son difíciles (suelo duro, etc.), acorte los intervalos especificados de acuerdo a ello.		Antes de empezar a trabajar	Después de terminar el trabajo o diariamente	Después de cada parada para cargar combustible	Semanalmente	Mensualmente	Anualmente	Si falla	Si tiene daños	Según se requiera
Todos los tornillos y tuercas accesibles (salvo los tornillos de ajuste)	Volver a apretar									X
Elementos antivibración (amortiguadores de caucho, resortes)	Revisar	X						X		X
	Solicitar al concesionario de servicio su sustitución ¹⁾								X	
Cuchilla	Inspección visual	X		X						
	Reemplazar								X	
	Revisar el apriete de la cuchilla	X		X						
Protector de desgaste de los engranajes	Inspeccionar	X								
	Reemplazar									X
Lubricación de caja de engranajes	Revisar				X					
	Llenar									X
Etiquetas de seguridad	Reemplazar								X	

1) STIHL recomienda acudir a un concesionario STIHL para servicio

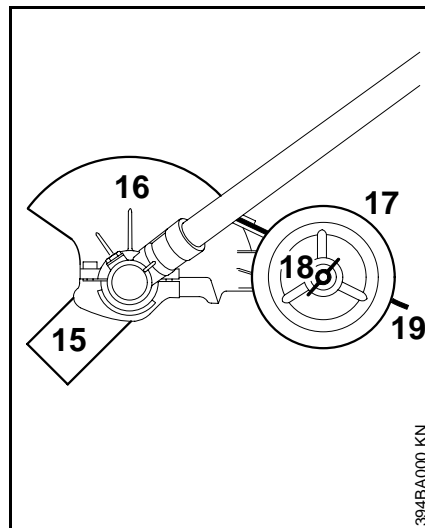
Piezas y controles



- 1= Mango tórico
- 2= Control deslizante
- 3= Bloqueo del gatillo de aceleración
- 4= Gatillo de aceleración
- 5= Palanca del estrangulador
- 6= Casquillo de la bujía
- 7= Cubierta del filtro de aire
- 8= Tanque de combustible
- 9= Apoyo de la máquina



- 10= Tapa de llenado de combustible
- 11= Tornillos de ajuste del carburador
- 12= Bomba de combustible
- 13= Mango de arranque
- 14= Silenciador (con chispero en algunos países*)
- 15= Cuchilla
- 16= Deflector
- 17= Rueda
- 18= Tuerca mariposa
- 19= Faldilla
- # Número de la máquina



* vea "Guía para el uso de este manual"

Definiciones

- 1. Mango tórico**
Para facilitar el control de la máquina durante el trabajo.
- 2. Control deslizante**
Interruptor de aceleración, de marcha y de parada. Mantiene el acelerador parcialmente abierto durante el arranque y apaga el encendido del motor para detener su marcha.
- 3. Bloqueo del gatillo de aceleración**
Debe ser oprimido antes de poder activar el gatillo de aceleración.
- 4. Gatillo de aceleración**
Regula la velocidad del motor.
- 5. Palanca del estrangulador**
Facilita el arranque del motor al enriquecer la mezcla de combustible.
Cable de encendido.
- 6. Casquillo de la bujía**
Conecta la bujía al alambre de encendido.
- 7. Cubierta del filtro de aire**
Protege al filtro de aire.
- 8. Tanque de combustible**
Contiene la mezcla de combustible y aceite.
- 9. Apoyo de la máquina**
Para apoyar la máquina en el suelo.
- 10. Tapa de llenado de combustible**
Para tapar el tanque de combustible.
- 11. Tornillos de ajuste del carburador**
Para afinar el carburador.
- 12. Bomba de combustible**
Suministra alimentación adicional de combustible para el arranque en frío.
- 13. Mango de arranque**
El mango de la cuerda de arranque, el cual es el dispositivo usado para arrancar el motor.
- 14. Silenciador**
(con chispero)
Atenúa los ruidos del tubo de escape y desvía los gases de escape lejos del operador. El chispero reduce el riesgo de incendios.
- 15. Cuchilla**
Cuchilla metálica para recortar malezas y plantas verdes blandas.
- 16. Deflector**
El deflector tiene por objeto reducir el riesgo de lesiones causadas por objetos arrojados por la herramienta de corte y por el contacto con la herramienta de corte.
- 17. Rueda**
La rueda montada en el deflector sirve para guiar la cuchilla de la orilladora por el suelo a una altura preajustada.
- 18. Tuerca mariposa**
Es necesario aflojarla para mover la rueda durante el ajuste de la profundidad de corte.
- 19. Faldilla**
La faldilla está diseñada para reducir el riesgo de sufrir lesiones provocadas por los objetos arrojados al aire por la cuchilla.

Especificaciones

EPA / CEPA:

El período de cumplimiento de emisiones indicado en la etiqueta de cumplimiento de emisiones es la cantidad de horas de funcionamiento para la cual la máquina ha demostrado la conformidad con los requerimientos de emisiones del Gobierno federal de los EE.UU.

Categoría

A = 300 horas,

B = 125 horas

C = 50 horas

CARB:

El período de cumplimiento de emisiones empleado en la etiqueta del índice de aire CARB tiene las siguientes definiciones:

Extended (extendido) = 300 horas

Intermediate (intermedio) = 125 horas

Moderate (moderado) = 50 horas

STIHL Motor de un cilindro, cuatro tiempos, con lubricación de gasolina con aceite

Cilindrada: 31,4 cm³ (1,92 pulg³)

Diámetro: 40 mm (1,57 pulg)

Carrera: 25 mm (0,98 pulg)

Potencia del motor según ISO 8893:

1 kW (1,34 hp)

Ralentí: 2800 rpm

Velocidad (nominal)

de corte del motor: 10500 rpm

Accesorios especiales

Comuníquese con su concesionario STIHL para información acerca de los accesorios especiales que pueden estar disponibles para su producto.

Juego de las válvulas

Válvula de admisión:

0,10 mm (0,004 pulg)

Válvula de escape:

0,10 mm (0,004 pulg)

Capacidad del tanque de combustible

0,53 l (18,0 oz. fl.)

Bujía (extinguida)

NGK CMR 5 H

Bosch USR 7AC

Distancia entre electrodos:

0,7 mm (0,028 pulg)

Arrancador de cuerda

Cuerda de arrancador:

3,0 mm diám. y 850 mm de largo

(0,12 pulg diám y 33,46 pulg de largo)


Peso (sin herramienta de corte y deflector)

6.2 kg (13,7 lb)

Mantenimiento y reparaciones

Los usuarios de esta máquina deben efectuar únicamente los trabajos de mantenimiento descritos en este manual. Solamente los talleres autorizados por STIHL deben llevar a cabo los demás trabajos de reparación.

Los reclamos de garantía presentados después de realizadas las reparaciones serán aceptados únicamente si las mismas fueron ejecutadas por un concesionario de servicio autorizado STIHL utilizando piezas de repuesto originales de STIHL.

Es posible identificar las piezas originales de STIHL por el número de pieza **STIHL**, el logotipo de STIHL y, en algunos casos, el símbolo  de piezas STIHL. En las piezas pequeñas el símbolo puede aparecer solo.

No para California: Declaración de garantía de STIHL Incorporated sobre sistemas de control de emisiones según normas Federales

Sus derechos y obligaciones de garantía

La Agencia de Protección del Medio Ambiente (EPA) de los EE.UU. y STIHL Incorporated se complacen en explicarle la garantía del sistema de control de emisiones instalado en el motor de su equipo. En los EE.UU., los nuevos motores pequeños para equipos de uso fuera de carretera modelos 1997 y posteriores deben estar diseñados, contruidos y equipados, al tiempo de la venta, de conformidad con los reglamentos de la EPA de los EE.UU. para los motores pequeños de uso fuera de carretera. El motor del equipo debe carecer de defectos en el material y la fabricación que puedan causar el incumplimiento de las normas de la EPA de los EE.UU. durante los primeros dos años de uso del motor a partir de la fecha de compra por el último comprador.

STIHL Incorporated debe garantizar el sistema de control de emisiones en el motor pequeño para uso fuera de carretera por el intervalo mencionado más arriba, siempre que dicho motor no haya estado sujeto a maltrato, negligencia o cuidado inapropiado.

El sistema de control de emisiones de su máquina incluye piezas tales como el carburador y el sistema de encendido. Además puede incluir mangueras, conectores y otros conjuntos relativos a emisiones.

En los casos de existir una condición amparada bajo garantía, STIHL Incorporated reparará el motor pequeño para equipo de uso fuera de carretera sin

costo alguno, incluido el diagnóstico (si el trabajo de diagnóstico fue realizado por un concesionario autorizado), las piezas y la mano de obra.

Cobertura de garantía del fabricante:

En los EE.UU., los motores pequeños para equipos de uso fuera de carretera modelos 1997 y posteriores también están garantizados por dos años. En el caso de encontrarse defectos en cualquiera de las piezas del motor relacionadas con el sistema de control de emisiones, la pieza será reparada o sustituida por STIHL Incorporated sin costo alguno.

Responsabilidades del usuario relativas a la garantía:

Como propietario de motor pequeño para equipo de uso fuera de carretera, usted tiene la responsabilidad de realizar el mantenimiento requerido descrito en su manual del usuario. STIHL Incorporated le recomienda guardar todos los recibos comprobantes de los trabajos de mantenimiento hechos a su motor pequeño para equipo de uso fuera de carretera, pero STIHL Incorporated no puede negar garantía basado en el solo hecho de faltar los recibos o del incumplimiento del propietario de realizar todos los trabajos de mantenimiento programados.

El uso de cualquier pieza de repuesto o servicio cuyo comportamiento y durabilidad sean equivalentes está permitido en trabajos de mantenimiento o reparación no contemplados en la garantía, y no

reducirá las obligaciones de la garantía del fabricante del motor.

Sin embargo, como propietario del motor pequeño para equipo de uso fuera de carretera usted debe estar consciente de que STIHL Incorporated puede negarle cobertura de garantía si dicho motor o una pieza del mismo ha fallado debido a maltrato, descuido, mantenimiento inadecuado o modificaciones no autorizadas.

Usted es responsable de llevar el motor pequeño para equipo de uso fuera de carretera a un centro de servicio STIHL tan pronto surja el problema. Las reparaciones bajo garantía serán realizadas en un tiempo razonable, sin exceder de 30 días.

Ante cualquier duda respecto a sus derechos y responsabilidades bajo esta garantía, sírvase contactar al representante de atención al cliente STIHL llamando al 1-800-467-8445, o si lo prefiere puede escribir a

STIHL Inc.,
536 Viking Drive, P.O. Box 2015,
Virginia Beach, VA 23450-2015 EE.UU.

Cobertura por STIHL Incorporated

STIHL Incorporated garantiza al último comprador y a cada comprador subsiguiente que el motor pequeño para equipo de uso fuera de carretera está diseñado, construido y equipado, al tiempo de la venta, de conformidad con todos los reglamentos aplicables. Además, STIHL Incorporated garantiza al comprador inicial y a cada comprador

subsiguiente que el motor está libre de defectos en el material y fabricación que puedan causar el incumplimiento de los reglamentos aplicables durante un período de dos años.

Período de garantía

El período de garantía comienza en la fecha en que el motor del equipo utilitario es entregado a usted y usted firma y remite la tarjeta de garantía a STIHL.

Si cualquier pieza relacionada con el sistema de control de emisiones está defectuosa, la pieza será sustituida por STIHL Incorporated sin costo alguno para el propietario. Cualquier pieza garantizada cuyo reemplazo no está programado como mantenimiento requerido, o que debe recibir únicamente inspección regular en el sentido de "reparar o sustituir según sea necesario", estará garantizada por el período de garantía. Cualquier pieza cuyo reemplazo está programado como mantenimiento requerido estará garantizada por el intervalo hasta el primer punto de reemplazo programado para esa pieza.

Diagnóstico

Como propietario, a usted no se le debe cobrar la mano de obra por los diagnósticos que determinen que una pieza garantizada está defectuosa. No obstante, si usted reclama garantía para un componente y se comprueba que la máquina no está defectuosa, STIHL Incorporated le cobrará el costo de la prueba del sistema de control de emisiones.

El trabajo de diagnóstico mecánico se realiza en un centro de servicio autorizado por STIHL. La prueba del sistema de control de emisiones se realiza ya sea en la fábrica de STIHL Incorporated o en un laboratorio de ensayos independiente.

Trabajo bajo garantía

STIHL Incorporated reparará los defectos amparados por la garantía en cualquier estación de garantía o centro de servicio autorizado por STIHL. Todo trabajo de este tipo se hará gratis para el propietario siempre que se determine que la pieza cubierta por la garantía está defectuosa. Se puede usar cualquier pieza de repuesto aprobada por el fabricante o equivalente en las piezas relacionadas con el sistema de control de emisiones, y debe ser suministrada gratis al propietario. STIHL Incorporated es responsable por daños a otros componentes del motor causados por la falla de una pieza garantizada que todavía está bajo garantía.

La lista siguiente define específicamente las piezas garantizadas y relacionadas con las emisiones:

Carburador
Estrangulador (sistema de refuerzo para arranque en frío)
Múltiple de admisión
Filtro de aire
Bujía
Magneto o sistema de encendido electrónico (módulo de encendido)
Convertidor catalítico (si lo tiene)
Sujetadores/pernos

Dónde presentar el reclamo para servicio bajo garantía

Lleve el producto a cualquier centro de servicio autorizado por STIHL y presente la tarjeta de garantía firmada.

Requerimientos de mantenimiento

Las instrucciones presentadas en este manual se basan en la aplicación de la mezcla recomendada para motores de 2 tiempos (vea también la instrucción "Combustible"). Las discrepancias de estas recomendaciones con respecto a la calidad y la proporción de la mezcla de combustible y aceite pueden exigir intervalos de mantenimiento más cortos.

Limitaciones

Esta garantía de los sistemas de control de emisiones no cubrirá ninguno de los puntos siguientes:

- reparación o sustitución requerida debido a maltrato, negligencia o falta del mantenimiento requerido,
 - reparaciones mal hechas o sustituciones contrarias a las especificaciones de STIHL Incorporated que afecten desfavorablemente el funcionamiento y/o la durabilidad, y las alteraciones o modificaciones no recomendadas o aprobadas por escrito por STIHL Incorporated,
- y
- la sustitución de piezas y otros servicios y ajustes necesarios para el mantenimiento requerido en y después del primer punto de reemplazo programado.

Solamente para California: Declaración de garantía de STIHL Incorporated sobre el control de emisiones de gases de escape y emisiones por evaporación para el Estado de California

Sus derechos y obligaciones de garantía

El Consejo de Recursos del Aire del Estado de California (CARB) y STIHL Incorporated se complacen en explicarle la garantía del sistema de control de emisiones instalado en el motor de su equipo de uso fuera de carretera para el año 2007 y posteriores.

En California, el equipo nuevo que tiene motores pequeños para uso fuera de carretera debe estar diseñado, construido y equipado de conformidad con las rigurosas normas de contaminación del aire del estado. STIHL Incorporated debe garantizar el sistema de control de emisiones en el motor pequeño para uso fuera de carretera por el intervalo mencionado más arriba, siempre que dicho motor pequeño para uso fuera de carretera no haya estado sujeto a maltrato, negligencia o cuidado inapropiado.

El sistema de control de emisiones puede contar con los siguientes componentes:

Filtro de aire, carburador, purgador, estrangulador (sistema de enriquecimiento para arranque en frío), varillaje de control, colector de admisión, magneto o sistema de encendido electrónico (módulo de encendido), bujía, convertidor catalítico (si lo tiene), tanque de combustible, tapa de tanque de combustible, línea de combustible, adaptadores de líneas de combustible, abrazaderas y sujetadores.

En los casos de existir una condición amparada bajo garantía, STIHL Incorporated reparará el motor pequeño para equipo de uso fuera de carretera sin costo alguno, incluido el diagnóstico, las piezas y la mano de obra.

Cobertura de garantía del fabricante:

El sistema de control de emisiones tiene una garantía de dos años en California. En el caso de encontrarse defectos en cualquiera de los componentes del motor relacionados con el sistema de control de emisiones, el mismo será reparado o sustituido por STIHL Incorporated sin costo alguno.

Responsabilidades del usuario relativas a la garantía:

Como propietario de motor pequeño para equipo de uso fuera de carretera, usted tiene la responsabilidad de realizar el mantenimiento requerido descrito en su manual de instrucciones. STIHL Incorporated le recomienda guardar todos los recibos comprobantes de los trabajos de mantenimiento hechos a su motor pequeño para equipo de uso fuera de carretera, pero STIHL Incorporated no puede negar garantía basado en el solo hecho de faltar los recibos o de su incumplimiento de realizar todos los trabajos de mantenimiento programados.

Sin embargo, como propietario del motor pequeño para equipo de uso fuera de carretera usted debe ser consciente de que STIHL Incorporated puede negarle cobertura de garantía si dicho motor o un componente del mismo ha fallado debido a maltrato, descuido, mantenimiento inadecuado o modificaciones no autorizadas.

Usted es responsable de llevar el motor pequeño para equipo de uso fuera de carretera a un concesionario de servicio STIHL tan pronto surja el problema. Las reparaciones bajo garantía deben realizarse en un tiempo razonable, sin exceder de 30 días. Ante cualquier duda respecto a sus derechos y responsabilidades bajo esta garantía, sírvase contactar al representante de atención al cliente STIHL llamando al 1-800-467-8445, o si lo prefiere puede escribir a

STIHL Inc., 536 Viking Drive,
P.O. Box 2015,
Virginia Beach, VA 23450-2015 EE.UU.

Cobertura por STIHL Incorporated

STIHL Incorporated garantiza al último comprador y a cada comprador subsiguiente que el motor pequeño para equipo de uso fuera de carretera está diseñado, construido y equipado, al tiempo de la venta, de conformidad con todos los reglamentos acerca de emisiones aplicables.

Además, STIHL Incorporated garantiza al comprador inicial y a cada comprador subsiguiente que el motor está libre de defectos en el material y fabricación que puedan causar el incumplimiento de los reglamentos acerca de emisiones aplicables durante un período de dos años.

Período de garantía contra defectos

Los períodos de garantía comenzarán el día en que el motor de equipo utilitario es comprado por el comprador inicial. Si cualquier componente relacionado con el sistema de control de emisiones está defectuoso, el mismo será sustituido por STIHL Incorporated sin costo alguno para el propietario.

No se permite usar componentes adicionales o modificados que no hayan sido eximidos por el Consejo de Recursos del Aire (CARB). El uso de cualquier componente adicional o modificado no eximido será motivo para la denegación del reclamo bajo garantía. STIHL Incorporated no es responsable por las fallas de los componentes garantizados causadas por el uso de un componente adicional o modificado no eximido.

La garantía de los componentes relacionados con el control de emisiones se interpretará de la manera siguiente:

1. Cualquier componente garantizado cuyo reemplazo no está programado como mantenimiento requerido en las instrucciones escritas requeridas en la Lista de Piezas bajo la Garantía de Control de Emisiones (vea más abajo) debe garantizarse por el período de garantía definido en la subsección COBERTURA POR STIHL INCORPORATED, vea más arriba. Si uno de estos componentes falla durante el período de garantía, el fabricante debe reparar o sustituir el mismo de acuerdo con la subsección (4) más abajo. Un componente reparado o sustituido bajo la garantía debe garantizarse durante el resto del período de garantía.

2. Cualquier componente garantizado que solamente debe inspeccionarse periódicamente de acuerdo con las instrucciones escritas requeridas en la Lista de Piezas bajo la Garantía de Control de Emisiones (vea más abajo) debe garantizarse por el período de garantía definido en la subsección COBERTURA POR STIHL INCORPORATED, vea más arriba. Una declaración en las instrucciones escritas tal como "reparar o sustituir según sea necesario" no acortará el período de cobertura de garantía. Un componente de este tipo reparado o sustituido bajo la garantía debe garantizarse durante el resto del período de garantía.

3. Cualquier componente garantizado que debe sustituirse como un elemento de mantenimiento requerido en las instrucciones escritas requeridas por la lista de piezas bajo la garantía de control de emisiones (vea más abajo) debe garantizarse por el intervalo antes del primer punto de sustitución programado para este componente. Si el componente falla antes del primer punto de sustitución programado, el fabricante del motor debe reparar o sustituir el mismo de acuerdo con la subsección (4) más abajo. Un componente de este tipo reparado o sustituido bajo la garantía debe garantizarse durante el resto del período de garantía antes del primer punto de sustitución programado para el componente.

4. La reparación o sustitución de cualquier componente garantizado debe llevarse a cabo en una estación de reparaciones bajo garantía sin costo alguno para el propietario.

5. No obstante lo expuesto en la subsección (4) de arriba, los servicios o las reparaciones bajo garantía pueden obtenerse en todos los centros de distribución del fabricante autorizados para dar servicio a los motores en cuestión.

6. Al propietario no se le debe cobrar el trabajo del diagnóstico que establece que el componente garantizado es de hecho defectuoso, a condición de que tal trabajo de diagnóstico se realice en una estación de reparaciones bajo garantía.

Trabajo bajo garantía

STIHL Incorporated reparará los defectos amparados por la garantía en cualquier estación de garantía o centro de servicio autorizado por STIHL. Todo trabajo de este tipo se hará gratis para el propietario siempre que se determine que la pieza cubierta por la garantía está defectuosa. Se puede usar cualquier pieza de repuesto aprobada por el fabricante o equivalente para el mantenimiento o la reparación de los componentes relacionados con el sistema de control de emisiones, y la misma debe ser suministrada gratis al propietario. STIHL Incorporated es responsable por daños a otros componentes del motor causados por la falla de una pieza garantizada que todavía está bajo garantía.

Marcas comerciales

Lista de piezas bajo la garantía de emisiones

Filtro de aire, carburador, purgador, estrangulador (sistema de enriquecimiento para arranque en frío), varillaje de control, colector de admisión, magneto o sistema de encendido electrónico (módulo de encendido), bujía, convertidor catalítico (si lo tiene), tanque de combustible, tapa de tanque de combustible, línea de combustible, adaptadores de líneas de combustible, abrazaderas y sujetadores.

Dónde presentar el reclamo para servicio bajo garantía

Lleve el producto de STIHL a cualquier concesionario de servicio autorizado por STIHL y presente la tarjeta de registro de producto STIHL firmado o la copia impresa del registro electrónico del producto.

Limitaciones

La reparación o la sustitución de cualquier componente garantizado y normalmente abarcado por la garantía se puede excluir de la garantía si STIHL Incorporated demuestra el maltrato, negligencia o mantenimiento incorrecto del producto de STIHL, y que tal maltrato, negligencia, o mantenimiento incorrecto era la causa directa de la necesidad de reparación o sustitución del componente. A pesar de lo anterior, el ajuste de un componente que tiene un dispositivo limitador instalado en fábrica y funcionando correctamente no perjudicará la cobertura bajo garantía.

Marcas registradas de STIHL

STIHL®

STIHL®



La combinación de colores anaranjado-gris (N° de registro EE.UU. #2,821,860; #3,010,057; y #3,010,058)

4-MIX®

AUTOCUT®

EASYSSTART®

OILOMATIC®

STIHL Cutquik®

STIHL DUROMATIC®

STIHL Farm Boss®

STIHL Quickstop®

STIHL ROLLOMATIC®

STIHL WOOD BOSS®

TIMBERSPORTS®

YARD BOSS®

Marcas comerciales de STIHL por ley común



BioPlus™

Easy2Start™

EasySpool™

ElastoStart™

Ematic™ / Stihl-E-Matic™

FixCut™

HT Plus™

IntelliCarb™

Master Control Lever™

Micro™

Pro Mark™

Quad Power™

Quiet Line™

STIHL Arctic™

STIHL Compact™

STIHL HomeScaper Series™

STIHL Interchangeable Attachment Series™

STIHL Magnum™ / Stihl-Magnum™
STIHL MiniBoss™
STIHL MotoPlus 4™
STIHL Multi-Cut HomeScaper Series™
Stihl Outfitters™
STIHL PICCO™
STIHL PolyCut™
STIHL PowerSweep™
STIHL Precision Series™
STIHL Protech™
STIHL RAPID™
STIHL SuperCut™
STIHL Territory™
TapAction™
TrimCut™

Esta lista de marcas comerciales está
sujeta a cambios.

Queda terminantemente prohibido todo
uso de estas marcas comerciales sin el
consentimiento expreso por escrito de
ANDREAS STIHL AG & Co. KG,
Waiblingen.

 **WARNING!**

The engine exhaust from this product contains chemicals known to the State of California to cause cancer, birth defects or other reproductive harm.

 **ADVERTENCIA!**

El gas de escape del motor de esta máquina contiene productos químicos que en el estado de California son considerados como causantes de cáncer, defectos de nacimiento u otros efectos nocivos para los órganos de la reproducción.

0458 239 8621 B

englisch / English USA / spanisch / español EE.UU / EPA