

# STIHL®

## STIHL FS 240, 240 R

Instruction Manual  
Manual de instrucciones



**! WARNING**

Read and follow all safety precautions in Instruction Manual – improper use can cause serious or fatal injury.

**! ADVERTENCIA**

Lea y siga todas las precauciones de seguridad dadas en el manual de instrucciones – el uso incorrecto puede causar lesiones graves o mortales.



**Instruction Manual**

**1 - 52**

**Manual de instrucciones**

**53 - 108**

# Contents

Guide to Using this Manual	2	Main Parts	43	Allow only persons who fully understand this manual to operate your trimmer / brushcutter.
Safety Precautions and Working Techniques	3	Specifications	45	
Approved Combinations of Cutting Attachment, Deflector, Handle and Harness	16	Special Accessories	46	To receive maximum performance and satisfaction from your STIHL trimmer / brushcutter, it is important that you read, understand and follow the safety precautions and the operating and maintenance instructions in chapter "Safety Precautions and Working Techniques" before using your trimmer / brushcutter. For further information you can go to <a href="http://www.stihlusa.com">www.stihlusa.com</a> .
Mounting the Bike Handle	18	Maintenance and Repairs	47	
Mounting the Loop Handle	20	Disposal	47	
Adjusting the Throttle Cable	21	STIHL Incorporated Federal Emission Control Warranty Statement	47	
Mounting the Deflector	22	STIHL Incorporated California Exhaust and Evaporative Emissions Control Warranty Statement	49	
Mounting the Cutting Attachment	23	Trademarks	52	Contact your STIHL dealer or the STIHL distributor for your area if you do not understand any of the instructions in this manual.
Fuel	26			
Fueling	27			
Fitting the Harness	28			
Balancing the Trimmer/Brushcutter	28			
Starting / Stopping the Engine	29			
Operating Instructions	32			
Air filter	32			
Engine Management	33			
Adjusting the Carburetor	34			
Winter Operation	34			
Spark Plug	36			
Engine Running Behavior	37			
Lubricating the Gearbox	37			
Rewind Starter	38			
Storing the Machine	38			
Sharpening Metal Cutting Blades	38			
Inspection and Maintenance by User	39			
Inspections and Maintenance by Dealer	40			
Maintenance and Care	41			

## WARNING

Because a trimmer / brushcutter is a high-speed cutting tool some special safety precautions must be observed to reduce the risk of personal injury. Careless or improper use may cause serious or even fatal injury.

Make sure your unit is equipped with the proper deflector, handle and harness for the type of cutting attachment being used. Always wear proper eye protection.

# STIHL®

FS 240, FS 240 R

This instruction manual is protected by copyright. All rights reserved, especially the rights to reproduce, translate and process with electronic systems.

## Guide to Using this Manual

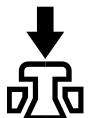
### Pictograms

The meanings of the pictograms attached to or embossed on the machine are explained in this manual.

Depending on the model concerned, the following pictograms may be on your machine.



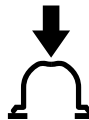
Fuel tank for gasoline and engine oil mixture



Press to operate decompression valve



Manual fuel pump



Press to operate manual fuel pump



Filler hole for gear lubricant



Air intake summer mode



Air intake winter mode



Handle heating

### Symbols in Text

Many operating and safety instructions are supported by illustrations.

The individual steps or procedures described in the manual may be marked in different ways:

- A bullet marks a step or procedure.

A description of a step or procedure that refers directly to an illustration may contain item numbers that appear in the illustration. Example:

- Loosen the screw (1).
- Lever (2) ...

In addition to the operating instructions, this manual may contain paragraphs that require your special attention. Such paragraphs are marked with the symbols and signal words described below:



Indicates an imminent risk of severe or fatal injury.



Indicates a hazardous situation which, if not avoided, could result in severe or fatal injury.

### NOTICE

Indicates a risk of property damage, including damage to the machine or its individual components.

### Engineering Improvements

STIHL's philosophy is to continually improve all of its products. As a result, engineering changes and improvements are made from time to time. Therefore, some changes, modifications and improvements may not be covered in this manual. If the operating characteristics or the appearance of your machine differs from those described in this manual, please contact your STIHL dealer for assistance.

## Safety Precautions and Working Techniques



Because a trimmer / brushcutter is a high-speed, fast-cutting power tool sometimes equipped with sharp cutting blades, special safety precautions must be observed to reduce the risk of personal injury.



It is important that you read, fully understand and observe the following safety precautions and warnings. Read the instruction manual and the safety precautions periodically. Careless or improper use may cause serious or fatal injury.



The terminology utilized in this manual when referring to the power tool reflects the fact that different types of cutting attachments may be mounted on it. The term "trimmer" is used to designate an FS unit that is equipped with a nylon line head or a head with flexible plastic blades (i.e., the PolyCut head.) A "brushcutter" designates a unit equipped with a rigid metal blade. Many FS models may be used as either a trimmer or a brushcutter – therefore, the power tool is referred in this manual as a "trimmer / brushcutter". Some smaller and / or lightweight FS models may only be used as a trimmer, i.e., they may not be used with metal blades.

FS models with an "R" on the nameplate were originally configured (at the time of distribution) as a trimmer with a loop handle.



### WARNING

As more fully explained later in these Safety Precautions, to reduce the risk of personal injury, make sure your unit is equipped with the proper handle, harness and deflector for the type of cutting attachment you are using. Use only cutting attachments that are specifically authorized by STIHL for use on your FS model.

Have your STIHL dealer show you how to operate your power tool. Observe all applicable local safety regulations, standards and ordinances.



### WARNING

Do not lend or rent your power tool without the instruction manual. Be sure that anyone using it understands the information contained in this manual.



### WARNING

The use of this machine may be hazardous. If the rotating line or blade comes in contact with your body, it will cut you. When it comes in contact with solid foreign objects such as rocks or bits of metal, it may fling them directly or by ricochet in the direction of bystanders or the operator. Striking such objects could damage the cutting attachment and may cause blades to crack, chip or break. Thrown objects, including broken heads or blades, may result in serious or fatal injury to the operator or bystanders.

STIHL does not recommend the use of rigid blades when cutting in stony areas.

Use your trimmer / brushcutter equipped with the appropriate cutting attachment only for cutting grass, brush, wood and similar material.



### WARNING

Do not use it for other purposes, since misuse may result in personal injury or property damage, including damage to the machine.



### WARNING

Minors should never be allowed to use this power tool. Bystanders, especially children, and animals should not be allowed in the area where it is in use.



### WARNING

To reduce the risk of injury to bystanders and damage to property, never let your power tool run unattended. When it is not in use (e.g. during a work break), shut it off and make sure that unauthorized persons do not use it.

Most of these safety precautions and warnings apply to the use of all STIHL trimmer / brushcutters. Different models may have different parts and controls. See the appropriate section of your instruction manual for a description of the controls and the function of the parts of your model.

Safe use of a trimmer / brushcutter involves

1. the operator
2. the power tool
3. the use of the power tool.

## THE OPERATOR

---

### Physical Condition

You must be in good physical condition and mental health and not under the influence of any substance (drugs, alcohol, etc.) which might impair vision, dexterity or judgment. Do not operate this machine when you are fatigued.

#### **WARNING**

Be alert – if you get tired, take a break. Tiredness may result in loss of control. Working with any power tool can be strenuous. If you have any condition that might be aggravated by strenuous work, check with your doctor before operating this machine.

#### **WARNING**

Prolonged use of a power tool (or other machines) exposing the operator to vibrations may produce whitefinger disease (Raynaud's phenomenon) or carpal tunnel syndrome.

These conditions reduce the hand's ability to feel and regulate temperature, produce numbness and burning sensations and may cause nerve and circulation damage and tissue necrosis.

All factors which contribute to whitefinger disease are not known, but cold weather, smoking and diseases or physical conditions that affect blood vessels and blood transport, as well as high vibration levels and long periods of

exposure to vibration are mentioned as factors in the development of whitefinger disease. In order to reduce the risk of whitefinger disease and carpal tunnel syndrome, please note the following:

- Most STIHL power tools are available with an anti-vibration ("AV") system designed to reduce the transmission of vibrations created by the machine to the operator's hands. An AV system is recommended for those persons using power tools on a regular or sustained basis.
- Wear gloves and keep your hands warm.
- Keep the AV system well maintained. A power tool with loose components or with damaged or worn AV elements will tend to have higher vibration levels.
- Maintain a firm grip at all times, but do not squeeze the handles with constant, excessive pressure. Take frequent breaks.

All the above-mentioned precautions do not guarantee that you will not sustain whitefinger disease or carpal tunnel syndrome. Therefore, continual and regular users should closely monitor the condition of their hands and fingers. If any of the above symptoms appear, seek medical advice immediately.

#### **WARNING**

The ignition system of the STIHL unit produces an electromagnetic field of a very low intensity. This field may interfere with some pacemakers. To reduce the risk of serious or fatal injury, persons with a pacemaker should

consult their physician and the pacemaker manufacturer before operating this tool.

### Proper Clothing

#### **WARNING**

To reduce the risk of injury, the operator should wear proper protective apparel.

The deflector provided with your power tool will not protect the operator from all foreign objects (gravel, glass, wire, etc.) thrown back by the rotating cutting attachment. Thrown objects may also ricochet and strike the operator.

 **WARNING**


To reduce the risk of injury to your eyes never operate your power tool unless wearing goggles or properly fitted protective glasses with adequate top and side protection complying with ANSI Z 87.1 (or your applicable national standard). To reduce the risk of injury to your face STIHL recommends that you also wear a face shield or face screen over your goggles or protective glasses.

Wear an approved safety hard hat to reduce the risk of injury to your head when there is a danger of head injuries.

Power tool noise may damage your hearing. Wear sound barriers (ear plugs or ear muffs) to protect your hearing. Continual and regular users should have their hearing checked regularly.

Be particularly alert and cautious when wearing hearing protection because your ability to hear warnings (shouts, alarms, etc.) is restricted.



Always wear gloves when handling the machine and metal blades. Heavy-duty, non-slip gloves improve your grip and help to protect your hands.



Clothing must be sturdy and snug-fitting, but allow complete freedom of movement. Wear long pants made of heavy material to help protect your legs. Do not wear shorts, sandals or go barefoot.

Avoid loose-fitting jackets, scarfs, neckties, jewelry, flared or cuffed pants, unconfined long hair or anything that could become caught on branches, brush or the moving parts of the unit. Secure hair so it is above shoulder level.



Good footing is very important. Wear sturdy boots with nonslip soles. Steel-toed safety boots are recommended.

## THE POWER TOOL

For illustrations and definitions of the power tool parts see the chapter on "Main Parts."

 **WARNING**

Never modify this power tool in any way. Only attachments supplied by STIHL and expressly approved by STIHL for use with the specific STIHL model are authorized. Although certain unauthorized attachments are useable

with STIHL power tools, their use may, in fact, be extremely dangerous. For the cutting attachments authorized by STIHL for your unit, see the chapter "Approved Combinations of Cutting Attachment, Deflector, Handle and Harness" in the instruction manual or the STIHL "Cutting Attachments, Parts & Accessories" catalog.

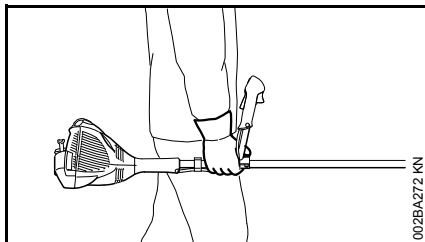
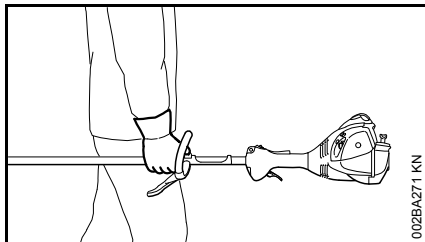
If this tool is subjected to unusually high loads for which it was not designed (e.g. heavy impact or a fall), always check that it is in good condition before continuing work. Check in particular that the fuel system is tight (no leaks) and that the controls and safety devices are working properly. Do not continue operating this machine if it is damaged. In case of doubt, have it checked by your STIHL servicing dealer.

## THE USE OF THE POWER TOOL

### Transporting the Power Tool

 **WARNING**

To reduce the risk of injury from loss of control and blade or line contact, never carry or transport your power tool with the cutting attachment moving.



It may be carried only in a horizontal position. Grip the shaft in a manner that the machine is balanced horizontally. Keep the hot muffler away from your body and the cutting attachment behind you.

**! WARNING**



To reduce the risk of burn injury, do not touch hot parts of the machine and the gear housing when they are hot.

**! WARNING**

Always shut off the engine and make sure the cutting attachment has stopped before putting a trimmer / brushcutter down. When transporting it in a vehicle, properly secure it to prevent turnover, fuel spillage and damage to the unit.

STIHL recommends that you keep metal blades covered with the transport guard (optional accessory.)

**Fuel**

Your STIHL power tool uses an oil-gasoline mixture for fuel (see the chapter on "Fuel" of your instruction manual.)

**! WARNING**



Gasoline is an extremely flammable fuel. If spilled and ignited by a spark or other ignition source, it can cause fire and serious burn injury or property damage. Use extreme caution when handling gasoline or fuel mix. Do not smoke or bring any fire or flame near the fuel or the power tool. Note that combustible fuel vapor may escape from the fuel system.

**Fueling Instructions**

**! WARNING**

To reduce the risk of serious injury from burns, never attempt to refuel the unit until it has been completely removed from the operator.

**! WARNING**

Fuel your power tool in well-ventilated areas, outdoors. Always shut off the engine and allow it to cool before refueling. Gasoline vapor pressure may

build up inside the fuel tank depending on the fuel used, the weather conditions and the tank venting system.

In order to reduce the risk of burns and other personal injury from escaping gas vapor and fumes, remove the fuel filler cap on your power tool carefully so as to allow any pressure build-up in the tank to release slowly. Never remove the fuel filler cap while the engine is running.

Select bare ground for fueling and move at least 10 feet (3 m) from the fueling spot before starting the engine. Wipe off any spilled fuel before starting your machine.

**! WARNING**



Check for fuel leakage while refueling and during operation. If fuel leakage is found, do not start or run the engine until the leak is fixed and any spilled fuel has been wiped away. Take care not to get fuel on your clothing. If this happens, change your clothing immediately.

**! WARNING**

In order to reduce the risk of fuel spillage and fire from an improperly tightened fuel cap, correctly position and tighten the fuel filler cap in the fuel tank opening.



**! WARNING**

Unit vibrations can cause an improperly tightened fuel filler cap to loosen or come off and spill quantities of fuel. In order to reduce the risk of fuel spillage and fire, tighten the fuel filler cap by hand as securely as possible.

**Before Starting****! WARNING**

Always check your power tool for proper condition and operation before starting, particularly the throttle trigger, throttle trigger lockout, momentary stop switch, cutting attachment, deflector and harness. The throttle trigger must move freely and always spring back to the idle position. Never attempt to modify the controls or safety devices.

**! WARNING**

Never operate your power tool if it is damaged, improperly adjusted or maintained, or not completely or securely assembled.

**! WARNING**

Do not attach any cutting attachment to a unit without proper installation of all required parts. Failure to use the proper parts may cause the blade or head to fly off and seriously injure the operator or bystanders.

**! WARNING**

The cutting attachment must be properly tightened and in safe operating condition. Inspect for loose parts (nuts, screws, etc.) and for cracked or damaged heads or cracked, bent, warped or damaged blades. Replace damaged heads or blades before using the power tool. Always keep blades sharp.

Keep the handles clean and dry at all times; it is particularly important to keep them free of moisture, pitch, oil, fuel mix, grease or resin in order for you to maintain a firm grip and properly control your power tool.

**! WARNING**

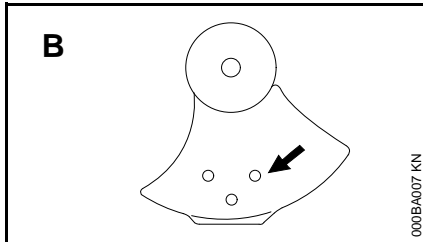
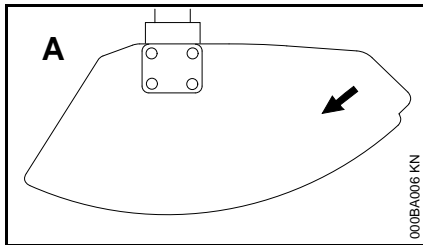
Check that the spark plug boot is securely mounted on the spark plug – a loose boot may cause arcing that could ignite combustible fumes and cause a fire.

**! WARNING**

To reduce the risk of personal injury to the operator from blade or line contact and thrown objects, make sure your unit is equipped with the proper deflector, handle and harness for the type of cutting attachment being used (see chart in the chapter on "Approved Combinations of Cutting Attachment, Deflector, Handle and Harness".)

As can be seen in that chart, some cutting attachments may require you to change your deflector, handle and / or harness.

Keep the deflector (and the attached skirt where appropriate) adjusted properly at all times (see chapters on "Mounting the Deflector" and "Mounting the Cutting Attachment" of your instruction manual.)



Arrows on the deflector (A) and limit stop (B) (as seen from the underside) show the correct direction of rotation of the cutting attachment. When viewed from above, however, the cutting attachment rotates counterclockwise.

Adjust carrying harness and hand grip to suit your size before starting work. The machine should be properly balanced as specified in your instruction manual for proper control and less fatigue in operation. To be better prepared in case of an emergency, practice releasing the unit from the harness as quickly as possible.

### Starting

#### **WARNING**

Start the engine at least 10 feet (3 m) from the fueling spot, outdoors only.

For specific starting instructions, see the appropriate section of your manual. Place the power tool on firm ground or other solid surface in an open area. Maintain good balance and secure footing.

#### **WARNING**

To reduce the risk of injury from blade or line contact, be absolutely sure that the cutting attachment is clear of you and all other obstructions and objects, including the ground, because when the engine starts at starting-throttle, engine speed will be fast enough for the clutch to engage and move the cutting attachment.

Once the engine has started, immediately blip the throttle trigger, which should release the starting throttle and allow the engine to slow down to idle.

With the engine running only at idle, attach the power tool to the spring hook of your harness (see appropriate chapter of this manual.)

#### **WARNING**

Your power tool is a one-person machine. Do not allow other persons in the general work area, even when starting.

#### **WARNING**

To reduce the risk of injury from loss of control, do not attempt to "drop start" your power tool.

#### **WARNING**

When you pull the starter grip, do not wrap the starter rope around your hand. Do not let the grip snap back, but guide the starter rope to rewind it properly. Failure to follow this procedure may result in injury to your hand or fingers and may damage the starter mechanism.

### Important Adjustments

#### **WARNING**

To reduce the risk of personal injury from loss of control or contact with the running cutting attachment, do not use your unit with incorrect idle adjustment. At correct idle speed, the cutting attachment should not move. For directions on how to adjust idle speed, see the appropriate section of your instruction manual.

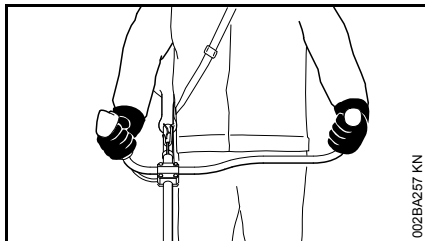
If you cannot set the correct idle speed, have your STIHL dealer check your power tool and make proper adjustments and repairs.

#### **WARNING**

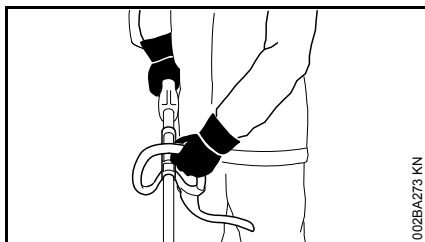
This unit is equipped with an ignition system that is normally in operational readiness. After the setting lever is used to stop the engine, it automatically springs back to the "on" position. If the engine is warm, it may be possible to start it by simply pulling the starter rope, with no further adjustments. To reduce the risk of injury, be particularly alert to keep children away from the unit.

## During Operation

### Holding and Controlling the Power Tool



002BA257 KN



002BA273 KN

Always hold the unit firmly with both hands on the handles while you are working. Wrap your fingers and thumbs around the handles. On units with a loop handle and barrier bar, left hand on loop handle, right hand on control handle. This also applies to left-handers.

### WARNING



Never attempt to operate your power tool with one hand. Loss of control of the power tool resulting in serious or fatal injury may result. To reduce the risk of cut injuries, keep hands and feet away from the cutting attachment. Never touch a moving cutting attachment with your hand or any other part of your body.

### WARNING

Do not overreach. Keep proper footing and balance at all times. Special care must be taken in slippery conditions (wet ground, snow) and in difficult, overgrown terrain. Watch for hidden obstacles such as tree stumps, roots and ditches to avoid stumbling. For better footing, clear away scrub and cuttings. Be extremely cautious when working on slopes or uneven ground.

### WARNING

To reduce the risk of injury from loss of control, never work on a ladder or on any other insecure support. Never hold the cutting attachment above waist height.

### Working Conditions

Operate and start your power tool only outdoors in a well ventilated area. Operate it under good visibility and daylight conditions only. Work carefully.

### WARNING



As soon as the engine is running, this product generates toxic exhaust fumes containing chemicals, such as unburned hydrocarbons (including benzene) and carbon monoxide, that are known to cause respiratory problems, cancer, birth defects, or other reproductive harm. Some of the gases (e.g. carbon monoxide) may be colorless and odorless. To reduce the risk of serious or fatal injury / illness from inhaling toxic fumes, never run the machine indoors or in poorly ventilated locations.

### WARNING

If the vegetation being cut or the surrounding ground is coated with a chemical substance (such as an active pesticide or herbicide), read and follow the instructions and warnings that accompanied the substance at issue.

### WARNING

Inhalation of certain dusts, especially organic dusts such as mold or pollen, can cause susceptible persons to have an allergic or asthmatic reaction. Substantial or repeated inhalation of dust and other airborne contaminants, in particular those with a smaller particle size, may cause respiratory or other illnesses. Control dust at the source

where possible. Use good work practices, such as operating the unit so that the wind or operating process directs any dust raised by the power tool away from the operator. Follow the recommendations of EPA / OSHA / NIOSH and occupational and trade associations with respect to dust ("particulate matter".) When the inhalation of dust cannot be substantially controlled, i.e., kept at or near the ambient (background) level, the operator and any bystanders should wear a respirator approved by NIOSH / MSHA for the type of dust encountered.

### Operating Instructions

#### **WARNING**

Do not operate your power tool using the starting throttle lock, as you do not have control of the engine speed.

In the event of an emergency, switch off the engine immediately – move the momentary stop switch to **0** or **STOP**.

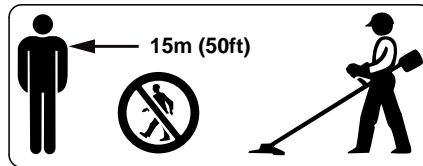
#### **WARNING**



The cutting attachment continues to rotate for a short period after the throttle trigger is released (flywheel effect).

#### **WARNING**

The rotating cutting attachment may fling foreign objects directly or by ricochet a great distance.



To reduce the risk of eye and other injury always wear proper eye protection (see the chapter on "Proper Clothing") and ensure that bystanders are at least 50 feet (15 m) away. To reduce the risk of damage to property, also maintain this distance from such objects as vehicles or windows. Even maintaining a minimum distance of 15 meters cannot exclude the potential danger. Any coworkers who must be in the restricted area should also wear goggles or protective glasses. Stop the engine immediately if you are approached.

#### **WARNING**



Inspect the work area: To reduce the risk of injury, remove stones, pieces of metal and other solid objects which could be thrown 15 meters or more by the cutting attachment or damage the cutting attachment and property (e.g. parked vehicles, windows).



#### **WARNING**

This trimmer / brushcutter is normally to be used at ground level with the cutting attachment parallel to the ground. Use of a trimmer / brushcutter above ground level or with the cutting attachment perpendicular to the ground may

increase the risk of injury, since the cutting attachment is more fully exposed and the power tool may be more difficult to control. Never use your trimmer / brushcutter as a hedge trimmer.

#### **WARNING**

During cutting, check the tightness and the condition of the cutting attachment at regular short intervals with the engine and attachment stopped. If the behavior of the attachment changes during use, stop the engine immediately, wait until the cutting attachment stops, and check the nut securing the attachment for tightness and the blade or head for cracks, wear and damage.

#### **WARNING**

A loose blade or head may vibrate, crack, break or come off the trimmer / brushcutter, which may result in serious or fatal injury. Make sure that the cutting attachment is properly tightened. Use the wrench supplied or one of sufficient length to obtain the proper torque. If the blade or head loosens after being properly tightened, stop work immediately. The retaining nut may be worn or damaged and should be replaced. If the blade or head continues to loosen, see your STIHL dealer. Never use a trimmer / brushcutter with a loose cutting attachment.

#### **WARNING**

Replace a cracked, damaged or worn-out head or a cracked, bent, warped, damaged, dull or worn out blade immediately, even if damage is limited to

superficial cracks. Such attachments may shatter at high speed and cause serious or fatal injury.

### **WARNING**

When using rigid blades, avoid cutting close to fences, sides of buildings, tree trunks, stones or other such objects that could cause the power tool to kick out or could cause damage to the blade.

STIHL recommends use of the nylon line heads for such jobs. In addition, be alert to an increased possibility of ricochets in such situations.

### **WARNING**

If the head, blade or deflector becomes clogged or stuck, always shut off the engine and make sure the cutting attachment has stopped before cleaning. Grass, weeds, etc. should be cleaned off the blade or from around the head at regular intervals.

### **WARNING**

To reduce the risk of unintentional rotation of the cutting attachment and injury, always shut off the engine and remove the spark plug boot before replacing the cutting attachment. To reduce the risk of injury, always shut off the engine before adjusting the length of the nylon line on manually adjustable mowing heads.

### **WARNING**

Do not turn the engine on over the starter with the spark plug boot or spark plug removed since there is otherwise a risk of fire from uncontained sparking.

### **WARNING**

The gearbox becomes hot during operation. To reduce the risk of burn injury, do not touch the gear housing when it is hot.

### **WARNING**

Never modify your muffler. Any modification could cause an increase in heat radiation, sparks or sound level, thereby increasing the risk of fire, burn injury or hearing loss. You may also permanently damage the engine. Have your muffler serviced and repaired by your STIHL servicing dealer only.

### **WARNING**

The muffler and other parts of the engine (e.g. fins of the cylinder, spark plug) become hot during operation and remain hot for a while after stopping the engine. To reduce risk of burns, do not touch the muffler and other parts while they are hot. Keep the area around the muffler clean. Remove excess lubricant and all debris such as pine needles, branches or leaves. Let the engine cool down sitting on concrete, metal, bare ground or solid wood (away from any combustible substances).

### **WARNING**

An improperly mounted or damaged cylinder housing or a damaged/deformed muffler shell may interfere with the cooling process of the muffler. To reduce the risk of fire or burn injury, do not continue work with a

damaged or improperly mounted cylinder housing or a damaged/deformed muffler shell.

Your muffler is furnished with a spark arresting screen designed to reduce the risk of fire from the emission of hot particles. Never operate your unit with a missing or damaged spark arresting screen. If your gas/oil mix ratio is correct (i.e., not too rich), this screen will normally stay clean as a result of the heat from the muffler and need no service or maintenance. If you experience loss of performance and you suspect a clogged screen, have your muffler maintained by a STIHL servicing dealer. Some state or federal laws or regulations may require a properly maintained spark arrestor for certain uses. See the "Maintenance, Repair and Storing" section of these Safety Precautions. Remember that the risk of a brush or forest fire is greater in hot or dry conditions.

## USING THE CUTTING ATTACHMENT

For an illustration of the various cutting attachments and instructions on proper mounting see the chapter on "Mounting the Cutting Attachment" in your instruction manual.

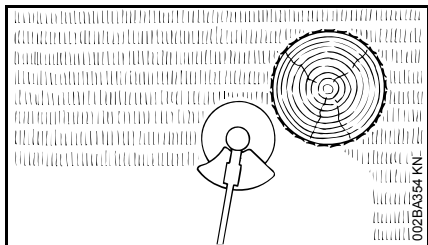
### **WARNING**

To reduce the risk of severe or fatal injury from blade contact and / or loss of control, never attempt to use a metal blade on an FS model for which it is not authorized.

## Using the Mowing Heads

Do not use with mowing line longer than the intended length. With a properly mounted deflector, the built-in line-limiting blade will automatically adjust the line to its proper length.

Using the unit with an overly long nylon cutting line increases the load on the engine and reduces its operating speed. This causes the clutch to slip continuously and results in overheating and damage to important components (e.g. clutch, polymer housing components.) Such damage could, among other things, cause the cutting attachment to rotate at idle.



Mowing heads are to be used only on trimmer / brushcutters equipped with a line-limiting blade in the deflector in order to keep the line at the proper length (see "Main Parts" chapter in your instruction manual.)

If the lawn edges are planted with trees or bordered by a fence etc., it is best to use a nylon line head. It achieves a "softer" cut with less risk of damaging tree bark etc. than polymer blades.

However, the polymer-bladed STIHL PolyCut produces a better cut if there are no plants along the edge of the lawn. Sharpening is not necessary, and worn polymer blades are easily replaced.

## **!** WARNING

To reduce the risk of serious injury, never use wire or metal-reinforced line or other material in place of the nylon cutting lines. Pieces of wire could break off and be thrown at high speed toward the operator or bystanders.

### STIHL SuperCut mowing head

Fresh line is advanced automatically. Frayed line is replaced by a simple adjustment (see instruction sheet supplied with mowing head.)

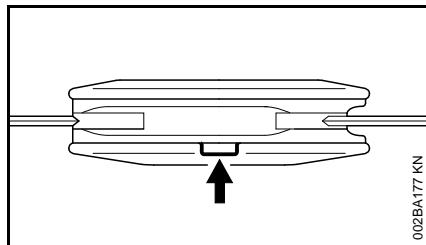
### STIHL AutoCut mowing head

Nylon cutting line advances automatically when tapped against the ground (TapAction.)

### STIHL TrimCut mowing head

Frayed line is replaced by a simple adjustment (see instruction sheet supplied with mowing head.)

### STIHL PolyCut mowing head



Uses either nylon lines or nonrigid, pivoting polymer blades.

**Observe wear indicators.**

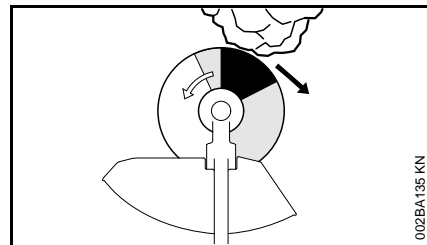
## **!** WARNING

Three rectangular wear limit marks are applied to the base (periphery) of the PolyCut. To reduce the risk of serious injury from breakage of the head or blades, the PolyCut must not be used when it has worn as far as one of these marks. It is important to follow the maintenance instructions supplied with the head.

## **!** WARNING

If the wear limit marks are ignored, there is a risk of the cutting attachment shattering and flying parts injuring the operator or bystanders. To reduce the risk of accidents from shattered blades, avoid contact with stones, metal and similar solid objects. Check PolyCut blades for cracks at regular intervals. If a crack is found on one blade, always replace all blades.

### Risk of Kickout (Blade Thrust) with All Rigid Cutting Blades



## **!** WARNING

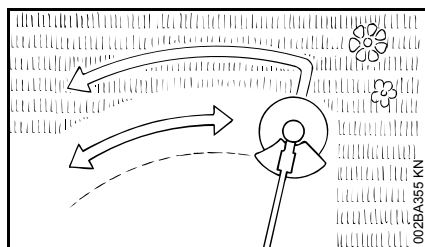
Kickout (blade thrust) is the sudden and uncontrolled motion towards the operator's right or rear that can occur when the shaded area (especially the darkly shaded area) of a rotating blade



comes in contact with a solid rigid object like a tree, rock, bush or wall. The rapid counterclockwise rotation of the blade may be stopped or slowed, and the cutting attachment may be thrown to the right or to the rear.

This kickout (blade thrust) may cause loss of control of the power tool and may result in serious or fatal injury to the operator or bystanders. To reduce the risk of injury, extreme caution should be used when cutting with the shaded area of any rigid blade.

### Using the Grass Cutting Blade



All kinds of grass and weeds can be easily cut with the grass cutting blade. The power tool is swept in an arc similar to a scythe.

### **!** WARNING

To reduce the risk of serious or fatal injury from blade breakage, never attempt to use this blade to cut woody materials.

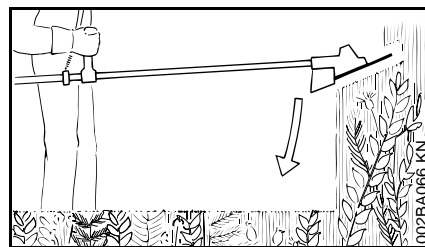
The **4-tooth** grass cutting blade is intended to cut grass and weeds. It has 4 cutting knives with cutting edges on both sides, i.e. front and rear. When the cutting edges on one side become dull, the blade can be turned over to utilize the cutting edges on the other side.

The **8-tooth** grass cutting blade is recommended for cutting fern or reed.

Both types of grass cutting blade have to be resharpened when all cutting edges are dull.

### Using the Brush Knife

When fitted to the power tool, the brush knife is suitable for applications ranging from cutting matted grass to clearing weeds, wild growth and scrub.



To cut wild growth and scrub, lower the rotating brush knife down onto the growth to achieve a chopping effect – but keep the tool below waist height at all times.

### **!** WARNING

Exercise **extreme caution** when using this method of cutting. The higher the cutting attachment is off the ground, the greater the risk of loss of control and of cuttings being thrown sideways.

Use the power tool like a scythe to cut grass, i.e. sweep it to and fro in an arc.

### **!** WARNING

When cutting woody materials, use the left side of the blade to avoid "kickout" (blade thrust) situations.

### **!** WARNING

Improper use of a brush knife may cause it to crack, chip or shatter. Thrown blade fragments may seriously or fatally injure the operator or bystanders. To reduce the risk of injury, avoid contact with hard or solid foreign objects such as stones, rocks or pieces of metal.

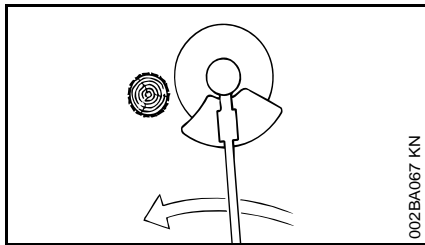
### **!** WARNING

When cutting young saplings or other woody materials up to 2 cm (3/4 in.) in diameter, use the left side of the blade to avoid "kickout" situations (see section on "Risk of kickout (blade thrust) with all rigid cutting blades"). Do not attempt to cut woody material with a larger diameter, since the blade may catch or jerk the power tool forward. This may cause damage to the blade or power tool or loss of control of the power tool, resulting in personal injury. Use a circular saw blade for such work.

### **!** WARNING

Inspect the brush knife at regular short intervals for signs of damage. Do not continue working with a damaged brush knife. Resharpen the brush knife regularly (when it has dulled noticeably).

## Using the Circular Saw Blade



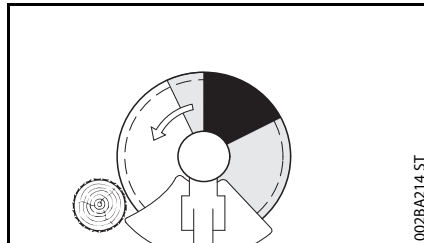
Circular saw blades are suitable for thinning brush and cutting small trees up to a diameter of 4 cm (1 1/2 in.). Do not attempt to cut trees with larger diameters, since the blade may catch or jerk the trimmer / brushcutter forward. This may cause damage to the blade or loss of control of the power tool and result in serious injury. Use a chain saw for such work.

### **! WARNING**

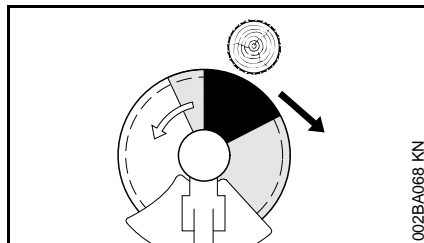
To reduce the risk that the blade will crack and / or break, avoid all contact with stones, rocks or the ground. Sharpen blades in a timely manner as specified – dull teeth may cause the blade to crack or shatter.

When a trimmer / brushcutter with a circular saw blade is used to cut down small trees, STIHL recommends that the standard deflector be removed and replaced by the special limit stop deflector (see chapter on "Mounting the Deflector"). This limit stop helps to keep the unit positioned against the tree during the cutting process. Inexperienced users should place the left side of the stop against the tree trunk before beginning to cut. This will keep the trimmer / brushcutter against the tree during the cutting operation and will

reduce the risk of loss of control and possible kickout (described above and briefly again below).



Before starting the cut, accelerate the engine up to full throttle. Perform cut with uniform pressure. STIHL recommends that the circular saw blade be applied to the right of the tree, using the non-shaded area of the blade, as shown in the illustration above.



### **! WARNING**

The risk of kickout is highest when cutting in the darker shaded area. To reduce the risk of kickout and resulting injury, do not use this area of the circular saw blade for cutting trees or shrubs. Special techniques using the lighter shaded areas of the blade to cut shrubs and trees should only be used by experienced operators with specialized training in the use and control of the trimmer / brushcutter.

### **! WARNING**

To reduce the risk of loss of control and serious injury to the operator or bystanders by a kickout, never use a circular saw blade on a trimmer / brushcutter with a loop handle, but rather only on one with a bicycle handle.

When felling small trees, maintain a distance of at least two tree lengths from the nearest coworker.

### **! WARNING**

In order to reduce the risk of injury from thrown objects or operator contact with the blade or head, be sure to remount the standard deflector when no longer using a circular saw blade.

## **MAINTENANCE, REPAIR AND STORING**

**Maintenance, replacement, or repair of the emission control devices and systems may be performed by any nonroad engine repair establishment or individual. However, if you make a warranty claim for a component which has not been serviced or maintained properly or if nonapproved replacement parts were used, STIHL may deny coverage.**

### **! WARNING**

Use only identical STIHL replacement parts for maintenance and repair. Use of non-STIHL parts may cause serious or fatal injury.



Strictly follow the maintenance and repair instructions in the appropriate sections of your instruction manual.

**! WARNING**

Always stop the engine and make sure that the cutting attachment is stopped before doing any maintenance or repair work or cleaning the power tool. Do not attempt any maintenance or repair work not described in your instruction manual. Have such work performed by your STIHL servicing dealer only.

Wear gloves when handling or performing maintenance on blades.

**! WARNING**

Use the specified spark plug, and make sure it and the ignition lead are always clean and in good condition. Always press the spark plug boot snugly onto the spark plug terminal of the proper size. (Note: If the terminal has a detachable SAE adapter nut, it must be securely attached.) A loose connection between the spark plug and the ignition wire connector in the boot may create arcing that could ignite combustible fumes and cause a fire.

**! WARNING**

Never test the ignition system with the spark plug boot removed from the spark plug or with a removed spark plug, since uncontained sparking may cause a fire.

**! WARNING**

Do not operate your power tool if the muffler is damaged, missing or modified. An improperly maintained muffler will

increase the risk of fire and hearing loss. Your muffler is equipped with a spark-arresting screen to reduce the risk of fire; never operate your power tool if the screen is missing, damaged or clogged. Remember that the risk of a brush or forest fire is greater in hot or dry weather.

In California, it is a violation of § 4442 or § 4443 of the Public Resources Code to use or operate gasoline-powered tools on forest-covered, brush-covered or grass-covered land unless the engine's exhaust system is equipped with a complying spark arrester that is maintained in effective working order. The owner/operator of this product is responsible for properly maintaining the spark arrester. Other states or governmental entities/agencies, such as the U.S. Forest Service, may have similar requirements. Contact your local fire agency or forest service for the laws or regulations relating to fire protection requirements.

**! WARNING**

Never repair damaged cutting attachments by welding, straightening or modifying the shape. This may cause parts of the cutting attachment to come off and result in serious or fatal injuries.

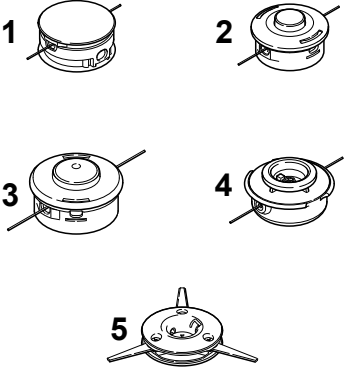
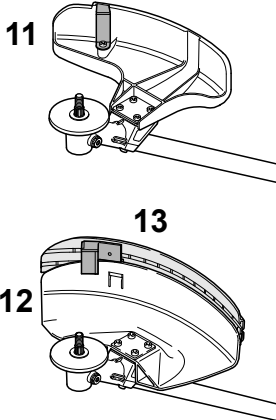
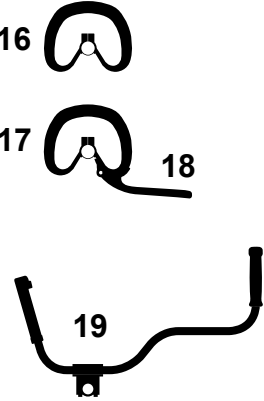
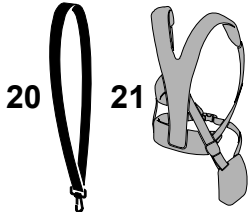
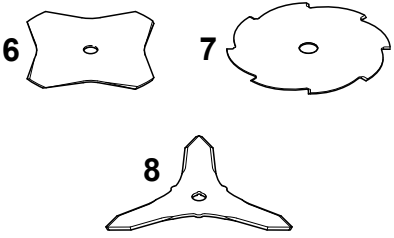
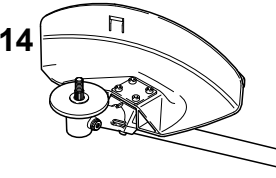
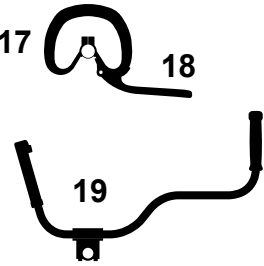
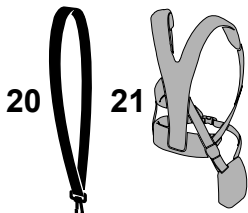

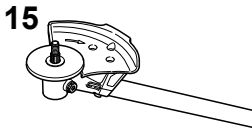
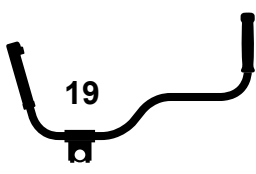

Keep blades sharp. Tighten all nuts, bolts and screws, except the carburetor adjustment screws, after each use.

Do not clean your machine with a pressure washer. The solid jet of water may damage parts of the machine.

Store the power tool in a dry and high or locked location out of reach of children.

Before storing for longer than a few days, always empty the fuel tank. See chapter "Storing the Machine" in the instruction manual.

### Approved Combinations of Cutting Attachment, Deflector, Handle and Harness

Cutting Attachment	Deflector	Handle	Harness
			
			
			

661BA208 KN

## Approved Combinations

Select correct combination from the table according to the cutting attachment you intend to use.

### **WARNING**

For safety reasons only the cutting attachments, deflectors, handles and harnesses shown in each row of the table may be used together. No other combinations are permitted because of the **risk of accidents**.

## Cutting Attachments

### Mowing heads

- 1 STIHL SuperCut 20-2
- 2 STIHL AutoCut 25-2
- 3 STIHL AutoCut 30-2
- 4 STIHL TrimCut 31-2
- 5 STIHL PolyCut 20-3

### Metal cutting attachments

- 6 Grass cutting blade 230-4
- 7 Grass cutting blade 230-8
- 8 Brush knife 250-3
- 9 Scratcher tooth circular saw blade 200
- 10 Chisel tooth circular saw blade 200

### **WARNING**

Non-metal grass cutting blades, brush knives and circular saw blades are not approved.

## Deflectors

- 11 Deflector **only** for mowing heads
- 12 Deflector **with**
- 13 Skirt and blade for all mowing heads only (see "Mounting the deflector")
- 14 Deflector **without** Skirt and blade for all mowing heads
- 15 Limit stop for circular saw blades

## Handles

- 16 Loop handle
- 17 Loop handle **with**
- 18 Barrier bar
- 19 Bicycle handle

## Harnesses

- 20 Shoulder strap must be used
- 21 Full harness may be used
- 22 Full harness must be used

### **WARNING**

Based on the cutting attachment being used:

Choose the proper deflector in order to reduce the risk of injury from thrown objects and contact with the cutting attachment.

Make sure your unit is equipped with the proper handle and harness in order to reduce the risk of injury from loss of control and contact with the cutting attachment.

Use grass cutting metal blades and brush knives on this unit only if equipped with a bike handle or a loop handle with barrier bar.

Use circular saw blades on this unit only if equipped with a bike handle.

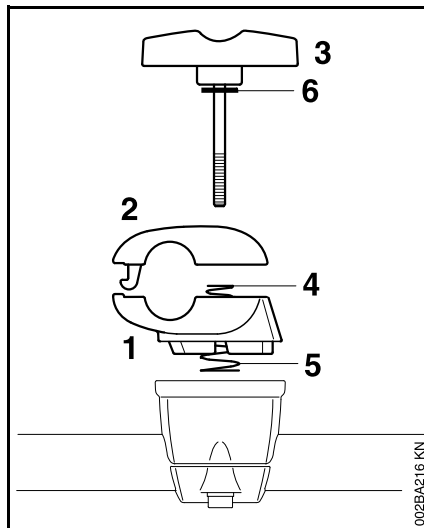
Do not use rigid plastic blades on this unit.

## Mounting the Bike Handle

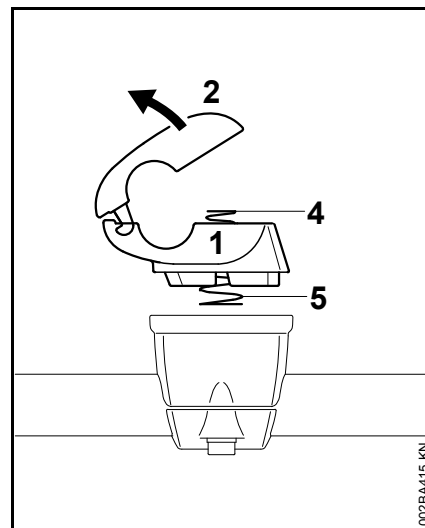
### Attaching the bicycle handle with rotating handlebar support

The machine is delivered with the rotating handlebar support already attached to the shaft. The clamps must be removed in order to attach the handlebar.

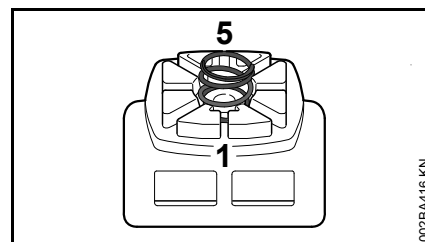
### Removing the clamps



- hold onto the lower (1) and upper clamps (2)
- Unscrew the tommy screw (3) – after the tommy screw has been unscrewed, the parts are loose and are pressed apart by the two springs (4, 5)!
- Remove the tommy screw – the washer (6) remains on the tommy screw



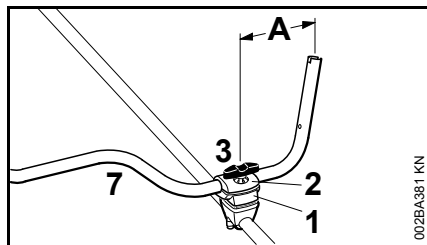
- Hold onto the lower clamp (1) and remove the upper clamp (2) – in doing so, separate the parts so that the springs (4, 5) retain their position in lower clamp



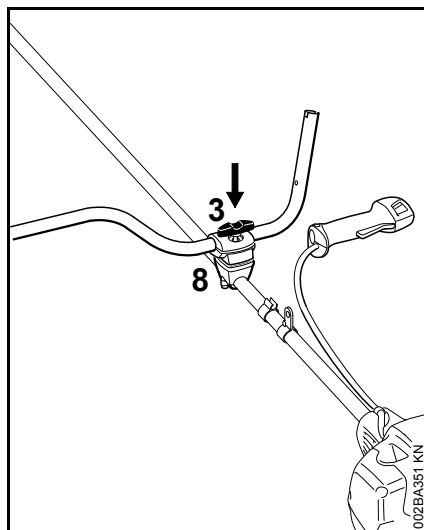
If the spring (5) has slipped out of the lower clamp (1):

- Replace and/or press the spring into the groove of the clamp as shown

## Fastening the handlebar

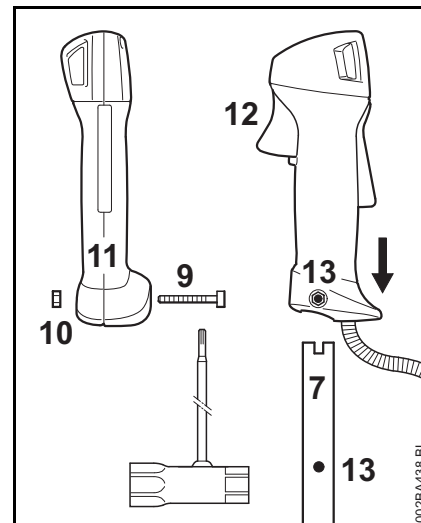


- Position the handlebar (7) in the lower clamp (1) so that distance (A) is not more than 15 cm (6 in.)
- Place the upper clamp on top and hold both clamps together
- Insert the tommy screw (3) through both clamps as far as it will go – hold all parts together and secure them



- Position the entire secured assembly on the handlebar support (8) with the tommy screw facing the engine
- Press the tommy screw (3) into the handlebar support as far as it will go and then screw it in – do not tighten it down yet
- Align the handlebar so that it is perpendicular to the shaft – check distance (A)
- Tighten tommy screw

## Attaching the control handle

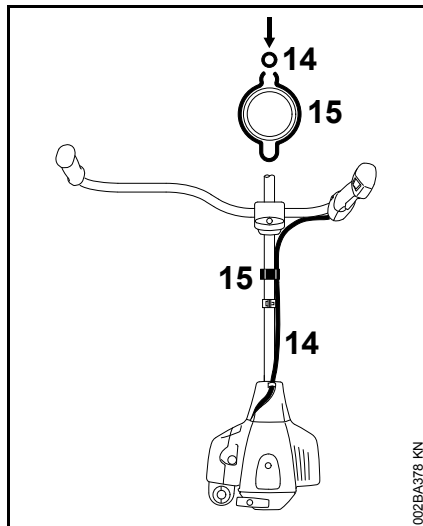


- Unscrew the bolt (9) – remove the nut (10) from the control handle (11)
- Push the control handle with the throttle trigger (12) facing toward the gearbox onto the end of the handlebar (7) until the holes (13) align
- Insert nut (10) in the control handle (11), insert the bolt (9) in the control handle and turn and tighten the bolt

## Fastening the throttle cable

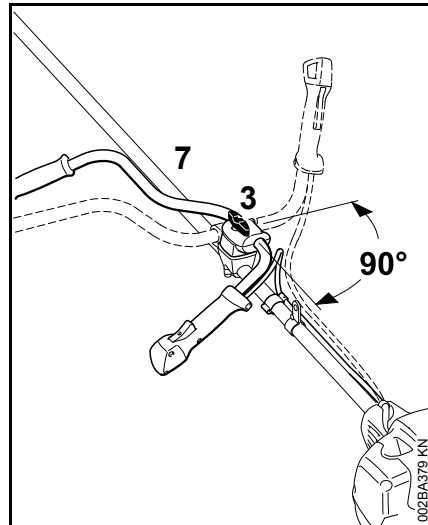
### NOTICE

Do not kink the throttle cable or run it in tight radiuses – the throttle trigger must move freely!



- Press throttle cable (14) – if necessary – into the throttle cable support (15)

### Swiveling the handlebar Into the transport position

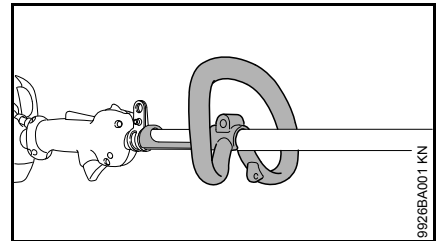


- Loosen the tommy screw (3) and unscrew it until it is possible to swivel the handlebar (7) clockwise
- Turn the handle bar 90° and then swivel it downward
- Tighten tommy screw (3)

### Into the working position

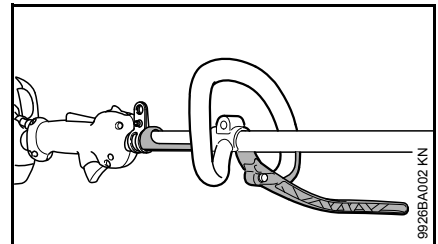
- Swivel and turn the handlebar counterclockwise in the opposite of the order described above

## Mounting the Loop Handle



A factory-new machine comes with the loop handle already mounted.

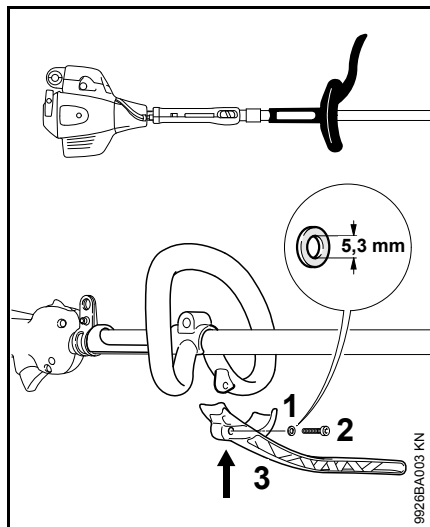
### Using the Barrier Bar



A barrier bar may have to be mounted to the loop handle to suit the market and the cutting attachment you intend to use – see "Approved Combinations of Cutting Attachment, Deflector, Handle and Harness".

The barrier bar comes standard with the machine or is available as a special accessory.

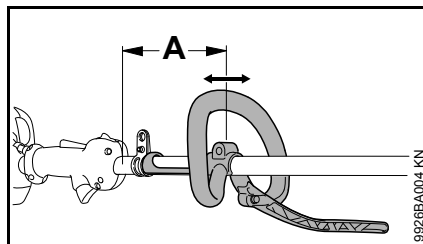
## Mounting the Barrier Bar



- Fit the washer (1), inside diameter 5.3 mm (0.21 in), on the M5x23 screw (2).
- Hold the barrier bar (3) against the loop handle and insert the screw with washer.
- Tighten down the screw (2) firmly.

**Leave the barrier bar permanently mounted to the loop handle.**

## Adjusting and Securing the Loop Handle



The loop handle can be adjusted to suit the height and reach of the operator and the application by changing distance (A).

Recommendation: distance (A): about 35 cm (14 in)

- Loosen the screw on the handle.
- Slide the handle to the required position.
- Tighten down the screw so that the handle cannot be rotated on the drive tube.

## Adjusting the Throttle Cable

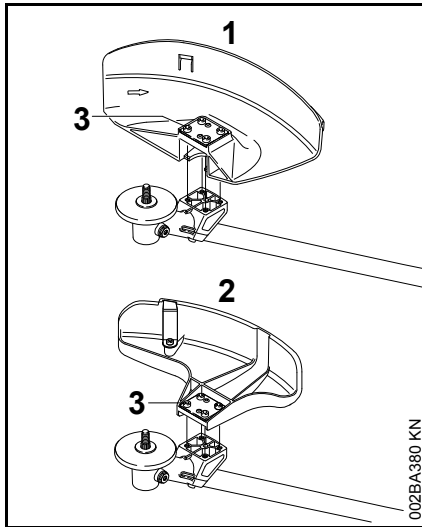
Correct adjustment of the throttle cable is a precondition for correct operation of the machine in all modes, from starting to full throttle.

It may be necessary to readjust the throttle cable after assembling the machine or after a prolonged period of operation.

- The throttle cable can be checked and adjusted by the user: see "Inspection and Maintenance by User".
- The throttle cable can be checked and adjusted by your dealer. Have the machine repaired by your servicing dealer. STIHL recommends a STIHL servicing dealer.

## Mounting the Deflector

### Mounting the Deflector

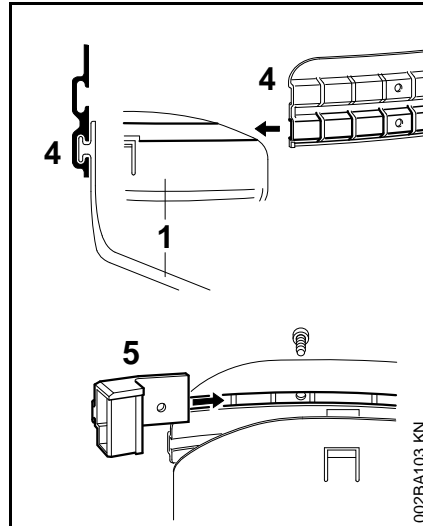


- 1 Deflector for mowing attachments  
2 Deflector for mowing heads

Deflectors (1) and (2) are both mounted to the gearbox in the same way.

- Place the deflector on the gearbox flange.
- Insert the screws (3) and tighten them down firmly.

### Fitting the Skirt and Blade

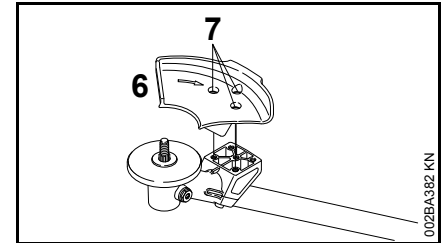


#### **! WARNING**

These parts must be fitted to the deflector (1) when you use a mowing head.

- Slide the lower guide slot of the skirt (4) onto the deflector (1) – it must snap into position.
- Push the blade (5) into the upper guide slot on the skirt and line it up with the first hole.
- Insert the screw and tighten it down firmly.

### Mounting the Limit Stop



#### **! WARNING**

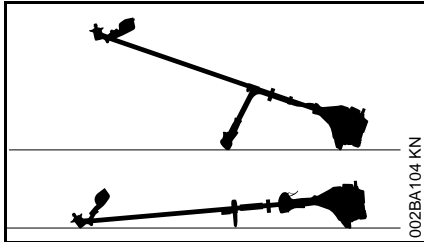
Always fit the limit stop (6) when you use a circular saw blade.

- Position the limit stop (6) on the gearbox flange.
- Insert the screws (7) and tighten them down firmly.



## Mounting the Cutting Attachment

### Preparations

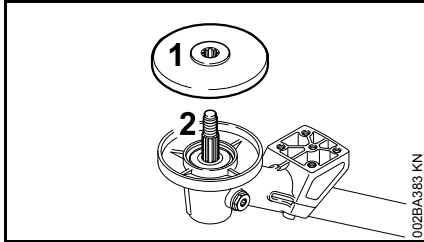


002BA104 KN

- Lay your brushcutter on its back so that the cutting attachment mounting face is facing up.

### Fitting the thrust plate

The machine comes standard with the thrust plate.



002BA363 KN

- Slip the thrust plate (1) over the shaft (2).

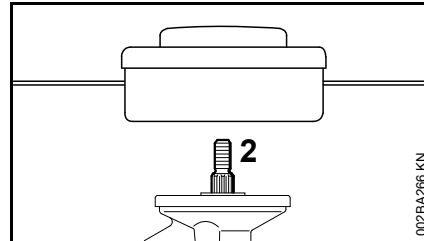
### NOTICE

The thrust plate (1) on the gearbox is necessary for mounting cutting attachments.

### Mounting hardware for cutting attachments

The mounting hardware supplied depends on the cutting attachment that comes as original equipment with the new machine.

#### Mounting hardware is not packed with machine

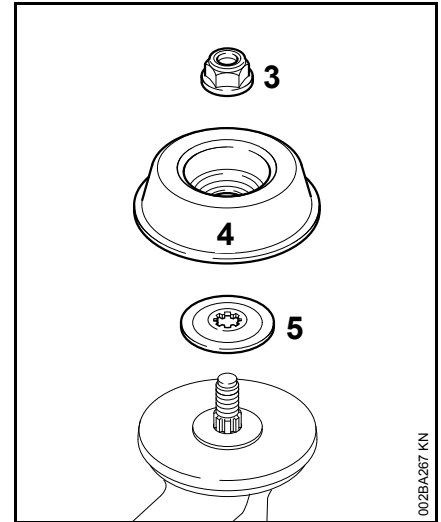


002BA266 KN

Only mowing heads may be used which mount directly to the shaft (2).

#### Mounting hardware is packed with machine

Mowing heads and metal cutting attachments may be mounted.

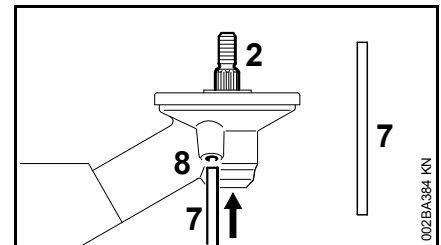


002BA267 KN

Depending on the cutting attachment, it may be necessary to use the nut (3), rider plate (4) and thrust washer (5).

These parts are included in a kit supplied with the machine and are also available as special accessories.

### Blocking the drive shaft



002BA384 KN

The output shaft (2) must be blocked with the stop pin (7) to mount or remove cutting attachments. The stop pin is included with the machine and is available as a special accessory.

- Insert the stop pin (7) in the bore (8) in the gearhead as far as stop, apply slight pressure.
- Rotate nut or cutting tool on the shaft until the stop pin slips into position and blocks the shaft.

### Mounting the cutting attachment

#### **! WARNING**

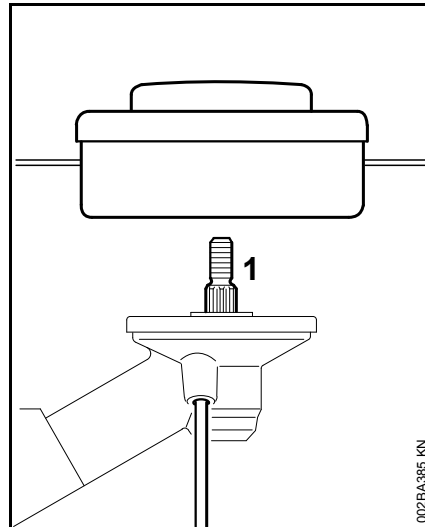
Use a deflector that matches the cutting attachment – see "Mounting the Deflector".

- Go to "Mounting the Mowing Head" or "Mounting the Metal Cutting Attachment".

### Mounting the mowing head

Keep the instruction sheet for the mowing head in a safe place.

STIHL SuperCut 20-2  
STIHL AutoCut 25-2  
STIHL AutoCut 30-2  
STIHL TrimCut 31-2  
STIHL PolyCut 20-3



- Screw the mowing head counterclockwise on to the shaft (1) as far as stop.
- Block the shaft.
- Tighten down the mowing head firmly.

#### **NOTICE**

Remove the stop pin used to block the shaft.

### Removing the mowing head

STIHL SuperCut 20-2  
STIHL AutoCut 25-2  
STIHL AutoCut 30-2  
STIHL TrimCut 31-2  
STIHL PolyCut 20-3

- Block the shaft.
- Unscrew the mowing head clockwise.

#### **NOTICE**

Remove the stop pin used to block the shaft.

### Adjusting nylon line

The instruction sheet supplied with the mowing head contains a detailed description.

#### **STIHL SuperCut**

Fresh line is advanced automatically if the remaining line is **at least 6 cm (2.4 in)** long. The blade on the deflector trims overlong lines to the correct length.

#### **STIHL AutoCut**

- Hold the rotating mowing head above the ground – tap it on the ground once – about 3 cm (1.2 in) of fresh line is advanced.

The blade on the deflector trims surplus line to the correct length – avoid tapping the mowing head more than once at a time.

Line feed operates only if **both** lines still have a minimum length of **2.5 cm (1 in)**.

## TrimCut Mowing Head

### WARNING

To reduce the risk of injury, always shut off the engine before adjusting the mowing line by hand.

- Pull the spool up – rotate it about 1/6 turn counterclockwise until it engages – and allow it to spring back.
- Pull ends of the lines outward.

Repeat the above procedure as necessary until both lines are about 10 cm (4 in) long.

Rotating the spool from one stop to the next advances about 4 cm (1.6 in).

## PolyCut Mowing Head

### WARNING

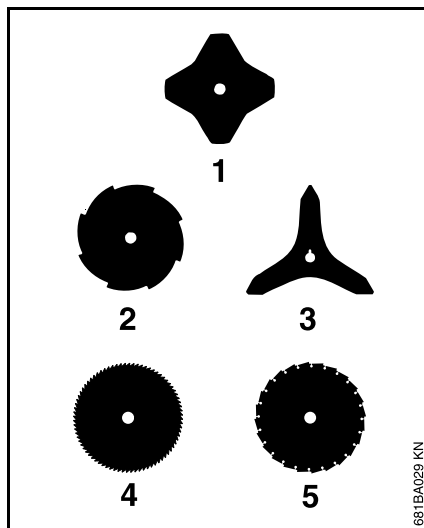
To reduce the risk of injury, always shut off the engine before installing new blades.

Refer to the instructions supplied with the mowing head.

## Mounting Metal Cutting Attachments

### WARNING

Wear protective gloves to reduce the risk of direct contact with the sharp cutting edges.



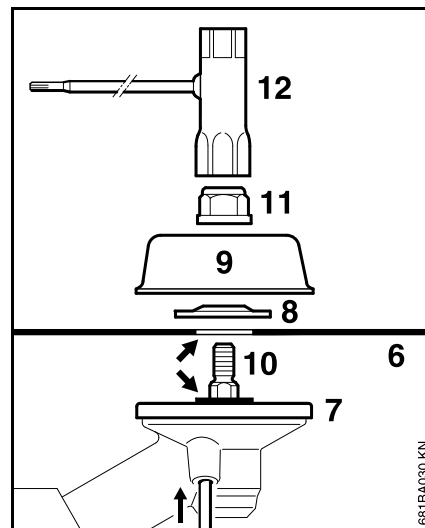
The skirt and line limiting blade are not required on the deflector for grass cutting blades 230-4 (1), 230-8 (2) or the brush knife (3) – see "Mounting the Deflector".

### WARNING

Fit the appropriate limit stop for circular saw blades 200 (4, 5) – see "Mounting the deflector".

Lay your brushcutter on its back with the cutting attachment mounting face pointing up: The cutting edges of (1) and (3) may point in either direction. The cutting edges of (2), (4) and (5) must point clockwise.

Direction of rotation is indicated by an arrow on the inside of the mowing attachment deflector or limit stop.



- Place the cutting attachment (6) on the thrust plate (7).

### WARNING

Collar (see arrow) must engage the cutting attachment's mounting hole.

- Fit the thrust washer (8) and rider plate (9) on the shaft (10).
- Block the shaft.
- Use the combination wrench (12) to screw the mounting nut (11) on to the output shaft counterclockwise and tighten it down firmly.

## NOTICE

Remove the tool used to block the shaft.

## Removing the Metal Cutting Attachment

### **WARNING**

Wear protective gloves to reduce the risk of direct contact with the sharp cutting edges.

- Block the shaft.
- Unscrew the mounting nut clockwise.
- Take the parts off the shaft – **do not** remove the thrust plate (7).

### **WARNING**

If the mounting nut turns too freely, fit a new one.

## Fuel

This engine is certified to operate on unleaded gasoline and the STIHL two-stroke engine oil at a mix ratio of 50:1.

Your engine requires a mixture of high-quality gasoline and two-stroke air cooled engine oil.

Use mid-grade unleaded gasoline with a minimum octane rating of 89 ((R+M)/2) and no more than 10% ethanol content.

Fuel with a lower octane rating may increase engine temperatures. This, in turn, increases the risk of piston seizure and damage to the engine.

The chemical composition of the fuel is also important. Some fuel additives not only detrimentally affect elastomers (carburetor diaphragms, oil seals, fuel lines, etc.), but magnesium castings and catalytic converters as well. This could cause running problems or even damage the engine. For this reason STIHL recommends that you use only high-quality unleaded gasoline!

Gasoline with an ethanol content of more than 10% can cause running problems and major damage in engines with a manually adjustable carburetor and should not be used in such engines.

The ethanol content in gasoline affects engine running speed – it may be necessary to readjust the carburetor if you use fuels with various ethanol contents.

### **WARNING**

To reduce the risk of personal injury from loss of control and/or contact with the running cutting tool, do not use your unit with incorrect idle adjustment. At correct idle speed, the cutting tool should not move.

If your power tool shows an incorrect idle adjustment, have your STIHL dealer check your power tool and make proper adjustments and repairs.

The idle speed and maximum speed of the engine change if you switch from a fuel with a certain ethanol content to another fuel with a much higher or lower ethanol content.

This problem can be avoided by always using fuel with the same ethanol content.

Use only STIHL two-stroke engine oil or equivalent high-quality two-stroke engine oils that are designed for use only in air cooled two-cycle engines.

We recommend STIHL HP Ultra 2-Cycle Engine Oil since it is specially formulated for use in STIHL engines.

Do not use BIA or TCW rated (two-stroke water cooled) mix oils or other mix oils that state they are for use in both water cooled and air cooled engines (e.g., outboard motors, snowmobiles, chain saws, mopeds, etc.).

### **WARNING**

Take care when handling gasoline. Avoid direct contact with the skin and avoid inhaling fuel vapor. When filling at the pump, first remove the container from your vehicle and place the

container on the ground before filling. To reduce the risk of sparks from static discharge and resulting fire and/or explosion, do not fill fuel containers that are sitting in or on a vehicle or trailer.

The container should be kept tightly closed in order to limit the amount of moisture that gets into the mixture.

The machine's fuel tank should be cleaned as necessary.

### Fuel mix ages

Only mix sufficient fuel for a few days work, not to exceed 3 months of storage. Store in approved fuel-containers only. When mixing, pour oil into the container first, and then add gasoline. Close the container and shake it vigorously by hand to ensure proper mixing of the oil with the fuel.

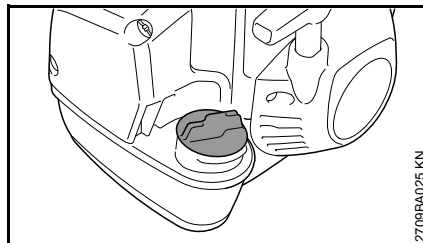
Gasoline	Oil (STIHL 50:1 or equivalent high-quality oils)
US gal.	US fl.oz.
1	2.6
2 1/2	6.4
5	12.8

Dispose of empty mixing-oil containers only at authorized disposal locations.

## Fueling



### Preparations



### ! WARNING

When fueling on a slope, always position the machine so that the filler cap is facing uphill.

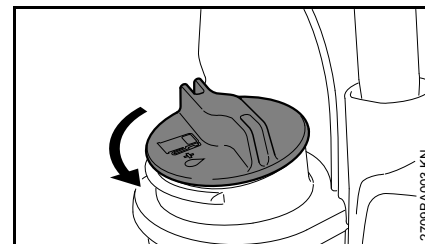
- On level ground, position the machine so that the filler cap is facing up.
- Before fueling, clean the filler cap and the area around it to ensure that no dirt falls into the tank.

Always thoroughly shake the mixture in the canister before fueling your machine.

### ! WARNING

In order to reduce the risk of fire and personal injury from escaping gas vapor and fumes, remove the fuel filler cap carefully so as to allow any pressure build-up in the tank to release slowly.

### Opening the screw cap

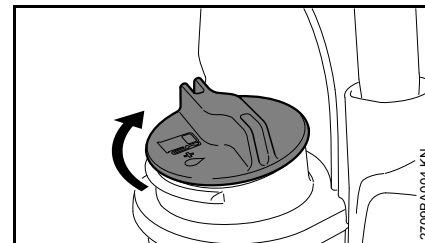


- Turn the cap counterclockwise until it can be removed from the tank opening.
- Remove the filler cap.

### Refueling

Take care not to spill fuel while fueling and do not overfill the tank.

### Closing the screw cap



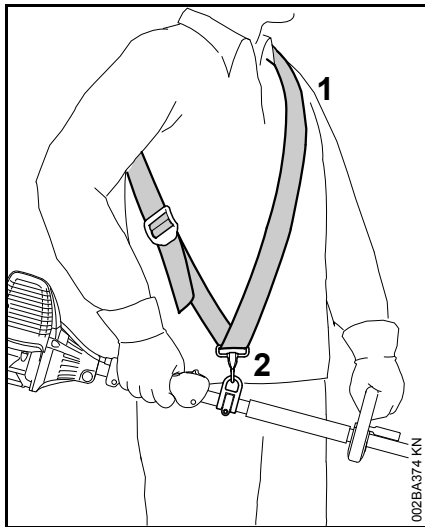
- Position cap.
- Turn the cap clockwise as far as it will go and tighten it as securely as possible by hand.

## Fitting the Harness

The type and style of the harness depend on the market.

The use of the shoulder strap is described in the chapter on "Approved Combinations of Cutting Attachment, Deflector, Handle and Harness".

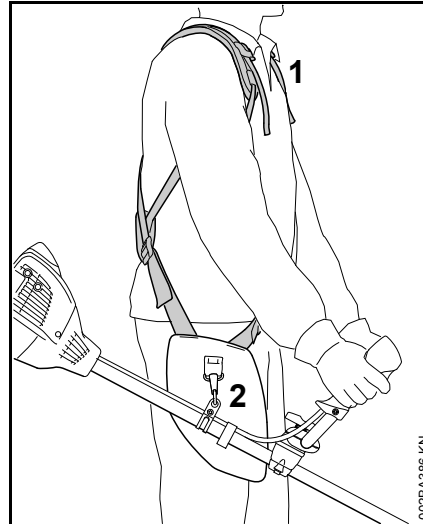
### Shoulder strap



- Put on the shoulder strap (1).
- Adjust the length of the strap so that the carabiner (2) is about a hand's width below your right hip.
- Balance the brushcutter.

### Full harness

Fitting the full harness is described in detail in the instruction sheet supplied.

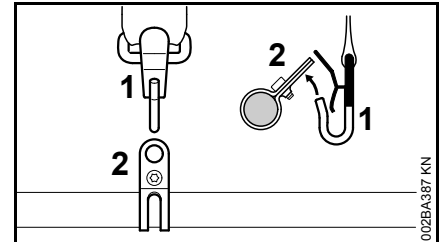


- Put on the full harness (1).
- Adjust the length of the strap so that the carabiner (2) is about a hand's width below your right hip.
- Balance the brushcutter.

## Balancing the Trimmer/Brushcutter

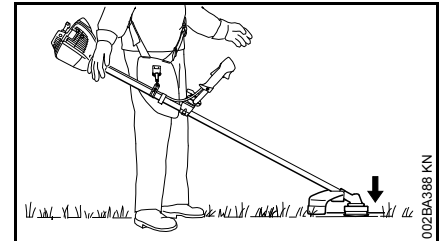
The type and style of the harness and carabiner (spring hook) depend on the market.

### Attaching the unit to the harness

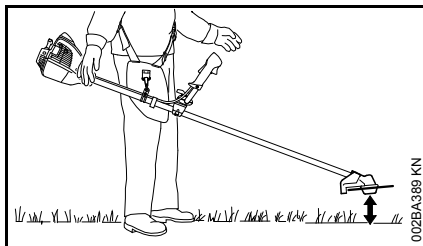


- Attach the carabiner (1) to the carrying ring (2) on the drive tube.

### Floating positions



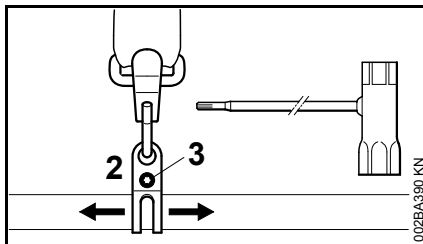
- Mowing heads, grass cutting blades and brush knives should just touch the ground.



- Circular saw blades should "hover" about 20 cm (8 in) above the ground.

The correct floating position is obtained as follows:

### Balance the unit

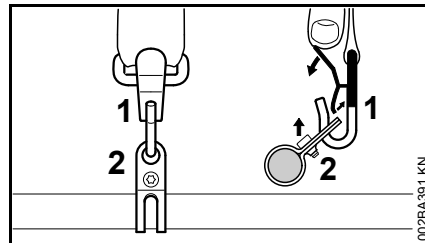


- Loosen the screw (3).
- Move the carrying ring (2) up or down the drive tube – tighten the screw moderately – let the unit go and wait until it is balanced – then check the floating position.

When the correct floating position has been reached:

- Tighten down the screw on the carrying ring firmly.

### Detaching the machine from the harness



- Press down the bar on the carabiner (1) and pull the carrying ring (2) out of the carabiner.

### Throwing off the machine in an emergency

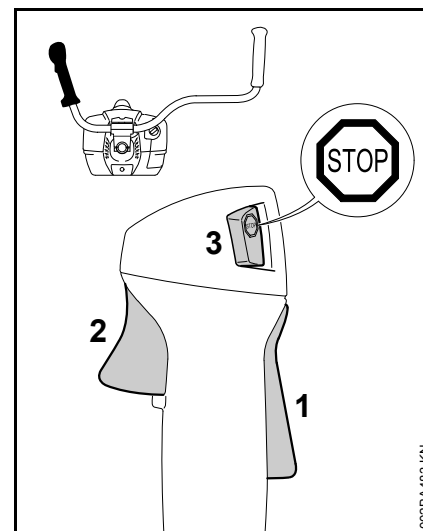


**WARNING**  
The machine must be quickly thrown off in the event of imminent danger. To throw off the machine, use the procedure described under "Detaching the machine from the harness". Practise removing and putting down the machine as you would in an emergency. To avoid damage, do not throw the machine to the ground when practising.

## Starting / Stopping the Engine

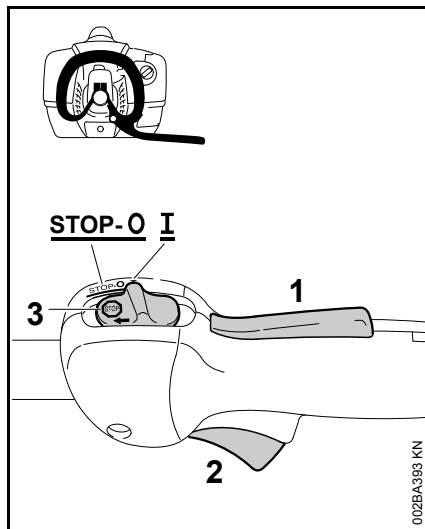
### Controls

#### Version with Bike Handle



- 1 Throttle trigger lockout
- 2 Throttle trigger
- 3 Momentary contact stop switch with **Run** and **Stop** positions. Press the stop switch (⊖) to switch off the ignition – see "Function of stop switch and ignition system".

## Version with Loop Handle

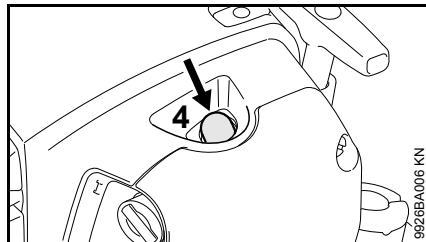


- 1 Throttle trigger lockout
- 2 Throttle trigger
- 3 Momentary contact stop switch with **Run** and **STOP-0** = stop positions. The stop switch must be moved from **I** to **STOP-0** (🛑) to switch off the ignition.

### Function of Stop Switch and Ignition System

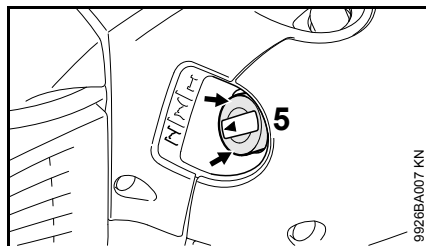
The stop switch is normally in the **Run** position: The ignition is switched on – the engine is ready to start. Operate the stop switch to switch off the ignition. The ignition is switched on again automatically after the engine stops.

## Starting the Engine



- Press the fuel pump bulb (4) at least five times – even if the bulb is filled with fuel.

### Cold Engine (cold start)

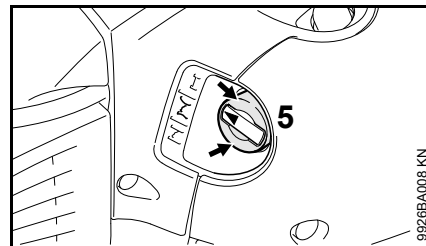


- Press in the outer edge (arrows) of the choke knob (5) and then turn it to **I**.

Also use this setting if the engine has been running but is still cold.

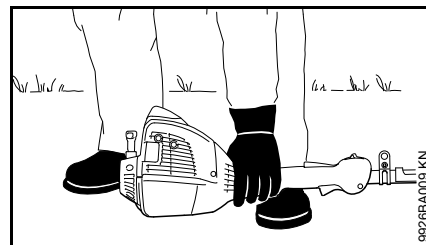
### Hot engine (hot start)

The engine has reached normal operating temperature, then shut down and restarted after more than 5 minutes.



- Press in the outer edge (arrows) of the choke knob (5) and then turn it to **I**.

### Cranking

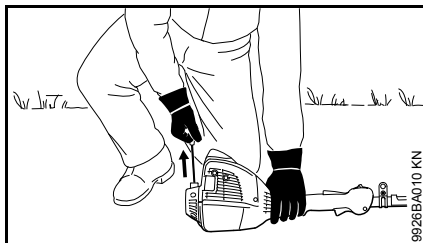


- Place the unit on the ground: It must rest securely on the engine's guard plate and the deflector. Check that the cutting attachment is not touching the ground of any other obstacles.
- Make sure you have a firm footing, either standing, stooping or kneeling.
- Hold the unit **firmly** on the ground with your left hand and press down – do not touch the throttle trigger or throttle trigger lockout.

### NOTICE

Do not stand or kneel on the drive tube.

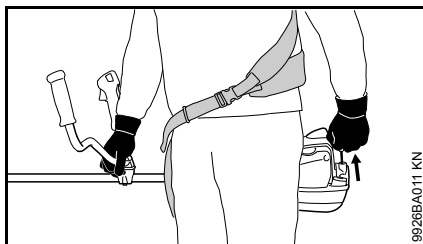




- Hold the starter grip with your right hand.

Alternative method of starting:

Engine warm and the machine hanging from the harness.



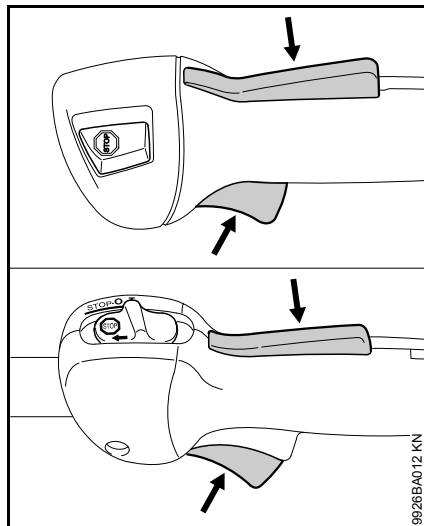
- Hold the machine firmly with your right hand on the drive tube, handle support or handlebar.
- With the machine behind you, press it against the left side of your body.
- Hold the starter grip with your left hand.
- Pull the starter grip steadily.

### NOTICE

Do not pull out the starter rope all the way – it might otherwise break.

- Do not let the starter grip snap back. Guide it slowly back into the housing so that the starter rope can rewind properly.
- Continue cranking until engine runs.

### As Soon as Engine Runs



- Press down the throttle trigger lockout and open the throttle – the choke knob moves to the run position **I**. After a cold start, warm up the engine by opening the throttle several times.

### WARNING

Make sure the carburetor is correctly adjusted. The cutting attachment must not rotate when the engine is idling.

The machine is now ready for operation.

### Stopping the Engine

- Depress the momentary contact stop switch – the engine stops – release the stop switch – it springs back to the run position.

### Other Hints on Starting

#### At very low outside temperatures

- Set the engine to winter operation if necessary, see "Winter Operation".
- If your machine is very cold (frost or ice on machine), start the engine and keep it at a high idle speed (cutting attachment rotates) until it reaches normal operating temperature.

#### Engine stalls in cold start position **II** or under acceleration

- Move the choke knob to **II** and continue cranking until the engine runs.

#### Engine does not start in hot start position **I**

- Move the choke knob to **I** and continue cranking until the engine runs.

#### If the engine does not start

- Check that all settings are correct.
- Check that there is fuel in the tank and refuel if necessary.
- Check that the spark plug boot is properly connected.
- Repeat the starting procedure.

### Fuel tank run until completely dry

- After refueling, press the fuel pump bulb at least five times – even if the bulb is filled with fuel.
- Set the choke knob to suit the engine temperature.
- Start the engine.

## Operating Instructions

### During break-in period

A factory-new machine should not be run at high revs (full throttle off load) for the first three tank fillings. This avoids unnecessary high loads during the break-in period. As all moving parts have to bed in during the break-in period, the frictional resistances in the engine are greater during this period. The engine develops its maximum power after about 5 to 15 tank fillings.

### During Operation

After a long period of full throttle operation, allow the engine to run for a short while at idle speed so that engine heat can be dissipated by the flow of cooling air. This protects engine-mounted components (ignition, carburetor) from thermal overload.

### After Finishing Work

Storing for a short period: Wait for the engine to cool down. Empty the fuel tank and keep the machine in a dry place, well away from sources of ignition, until you need it again. For longer out-of-service periods – see "Storing the Machine".

## Air filter

### General Information

The filter has a very long service life.

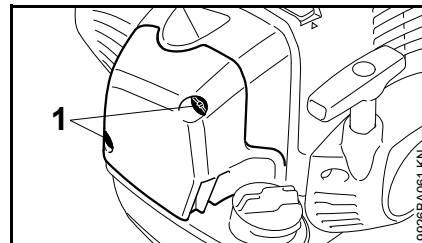
**Do not remove the filter cover or replace the air filter as long as there is no noticeable loss of power.**

Dirty air filters reduce engine power, increase fuel consumption and make starting more difficult.

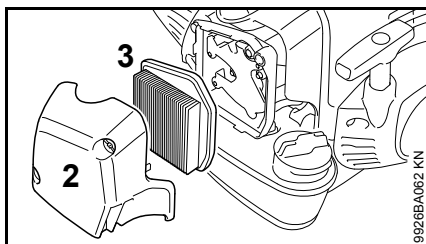
### Replacing the Air Filter

**Only if there is a noticeable loss of engine power**

- Set the choke lever to **I**.



- Loosen the screws (1).



- Remove the filter cover (2).
- Clean away loose dirt from around the filter (3) and inside the filter cover.

The air filter (3) is a pleated paper filter element.

- Remove and check the filter element (3) – replace if paper or frame is dirty or damaged.
- Unpack the new filter.

#### NOTICE

Do not bend or twist the filter before installation as it might otherwise be damaged – do not use damaged filters.

- Fit the filter in the filter housing.
- Fit the filter cover.

Use only high quality air filters to ensure the engine is protected from abrasive dust.

STIHL recommends you use only original STIHL air filters. The high quality standard of these parts guarantees trouble-free operation, a long engine life and very long filter service lives.

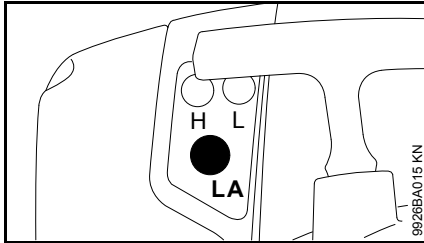
### Filter Element for Winter Operation

Maintenance and care of the special filter element for winter operation are described in the chapter on "Winter Operation".

## Engine Management

Exhaust emissions are controlled by the design of the fundamental engine parameters and components (e.g. carburation, ignition, timing and valve or port timing) without the addition of any major hardware.

## Adjusting the Carburetor



The carburetor has been set at the factory to provide an optimum fuel-air mixture under most operating conditions.

### Adjusting idle speed

#### Engine stops while idling

- Turn the idle speed screw (LA) slowly clockwise until the engine runs smoothly.

#### Cutting tool rotates when engine is idling

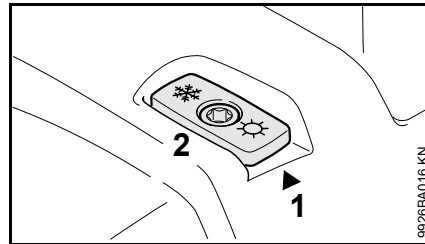
- Turn the idle speed screw (LA) slowly counterclockwise until the cutting attachment stops moving.

## Winter Operation

### At temperatures below +50°F (+10°C)

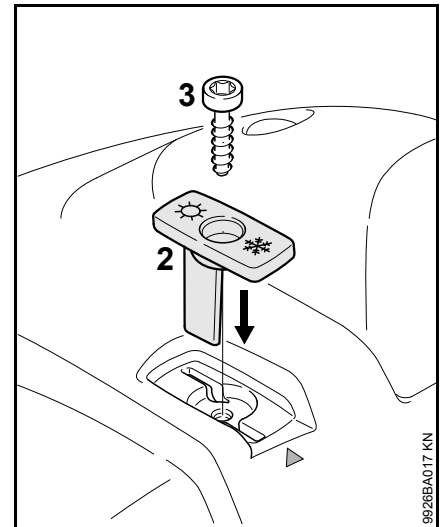
#### Preheating the carburetor

Repositioning the shutter allows heated air to be drawn in from around the cylinder and mixed with cold air – this helps prevent carburetor icing.



An arrow (1) on the shroud indicates the setting of the shutter (2) for summer or winter operation. Meaning of symbols:

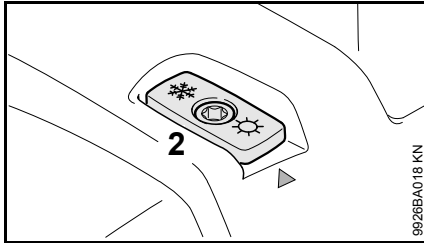
- "Sun" = summer operation
- "Snowflake" = winter operation



- Remove the screw (3) from the shutter.
- Pull the shutter (2) out of the shroud.
- Rotate the shutter (2) from the summer position to the winter position and refit it.
- Secure the shutter in position with the screw (3).

### At temperatures between +50°F (+10°C) and +70°F (+20°C)

The machine can normally be operated in this temperature range with the shutter (2) in the summer position. Change the position of the shutter if necessary.

**At temperatures above +70°F (+20°C)**

- Always return the shutter (2) to the summer position.

**NOTICE**

Do not operate the machine in the winter position at temperatures above +70°F (+20°C) because there is otherwise a risk of engine running problems and overheating.

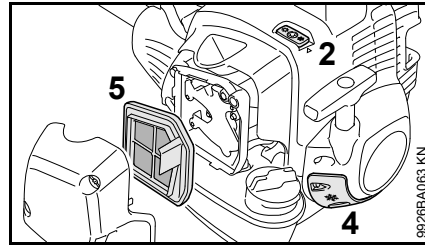
**At temperatures below +14°F (-10°C)**

In extreme wintry conditions

- Temperatures below +14°F (-10°C)
- Powder or drifting snow

it is advisable to use the optional "cover plate kit".

Two different cover plate kits are available to suit the different tank caps.



The cover plate kits contain the following parts for converting the power tool:

- 4 Cover plate partially blanks off the slots in the starter housing
  - 5 Synthetic fabric filter element for the air filter
- Instruction sheet describing the conversion.

For machines with tank cap with hinged grip:

- O-ring for the tank filler cap

After installing the cover plate kit:

- Set the shutter (2) to the winter position.

**At temperatures above +14°F (-10°C)**

- Remove the parts of the cover plate kit and refit the standard parts for summer operation.

Note for machines with tank cap with hinged grip: The O-ring supplied with the cover plate kit can be left on the machine's tank cap.

Depending on the ambient temperature:

- Set the shutter (2) to the summer or winter position.

**Cleaning the air filter**

- Loosen filter cover mounting screws.
- Remove the filter cover.
- Clean away loose dirt from around the filter (5) and inside the filter cover.
- Knock the filter (5) out on the palm of your hand or blow it clear with compressed air from the inside outwards.

In case of stubborn dirt or sticky filter fabric:

- Wash the filter in a clean, non-flammable solution (e.g. warm soapy water) and then dry.

Always replace a damaged filter.

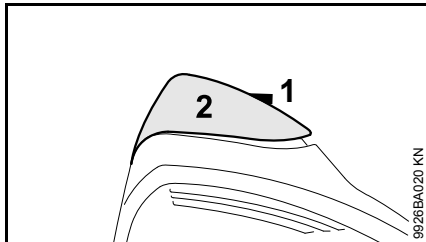
## Spark Plug

If engine is down on power, difficult to start or runs poorly at idling speed, first check the spark plug.

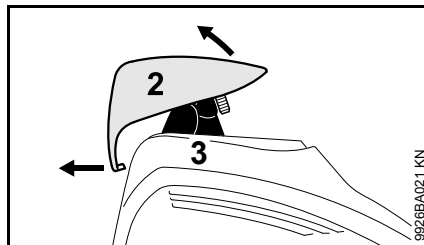
**Fit a new spark plug after approx. 100 operating hours** or earlier if the electrodes are badly eroded.

Wrong fuel mix (too much engine oil in the gasoline), a dirty air filter and unfavorable running conditions (mostly at part throttle etc.) affect the condition of the spark plug. These factors cause deposits to form on the insulator nose which may result in trouble in operation.

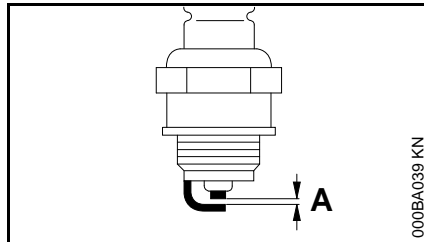
### Removing the Spark Plug



- Rotate the screw (1) in the cap (2) until the screw head projects from it.



- Lift the front of the cap (2) and push it to the rear to disengage.
- Leave the cap to one side.
- Pull off the spark plug boot (3).
- Unscrew the spark plug.



Wrong fuel mix (too much engine oil in the gasoline), a dirty air filter and unfavorable running conditions (mostly at part throttle etc.) affect the condition of the spark plug. These factors cause deposits to form on the insulator nose which may result in trouble in operation.

If engine is down on power, difficult to start or runs poorly at idling speed, first check the spark plug.

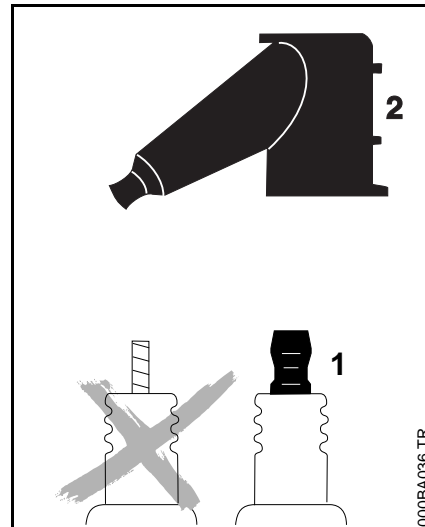
- Remove spark plug – see "Starting / Stopping the Engine".
- Clean dirty spark plug.

- Check electrode gap (A) and readjust if necessary – see "Specifications".
- Use only resistor type spark plugs of the approved range.

Rectify problems which have caused fouling of spark plug:

- Too much oil in fuel mix.
- Dirty air filter.
- Unfavorable running conditions, e.g. operating at part load.

**Fit a new spark plug after approx. 100 operating hours** or earlier if the electrodes are badly eroded.



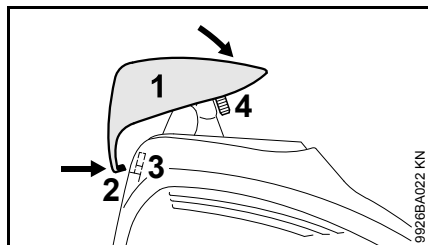
### **!** WARNING

To reduce the risk of fire and burn injury, use only spark plugs authorized by STIHL. Always press spark plug boot (2) snugly onto spark plug terminal (1) of the proper size. (Note: If terminal has

detachable SAE adapter nut, it must be attached.) A loose connection between spark plug boot and ignition wire connector in the boot may create arcing that could ignite combustible fumes and cause a fire.

### Installing the Spark Plug

- Screw the spark plug into the cylinder.
- Press the spark plug boot **firmly** onto the spark plug.



- Fit the cap (1) on the shroud from the rear and push the lug (2) into the opening (3) in the shroud at the same time.
- Swing the cap forwards onto the shroud, insert and tighten down the screw (4) firmly.

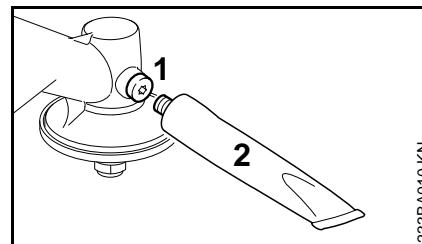
### Engine Running Behavior

If engine running behavior is still unsatisfactory after the air filter has been serviced and the carburetor and throttle cable have been adjusted correctly, the cause may also be in the muffler.

Have the muffler checked for contamination (coking) by a servicing dealer!

STIHL recommends that maintenance and repair work be carried out only by authorized STIHL dealers.

### Lubricating the Gearbox



- Check the grease level regularly – about every 25 hours of operation.
- Unscrew the filler plug (1). If no grease can be seen on the inside of the filler plug, screw the tube (2) of STIHL gear lubricant for brushcutters (special accessory) into the filler hole.
- Squeeze up to 5 g (0.2 oz) grease into the gearbox.

#### NOTICE

Do not completely fill the gearbox with grease.

- Remove the tube of grease (2).
- Refit the filler plug (1) and tighten it down firmly.

## Rewind Starter

To help prolong the wear life of the starter rope, observe the following points:

- Pull the starter rope only in the direction specified.
- Do not pull the rope over the edge of the guide bushing.
- Do not pull out the rope more than specified.
- Do not allow the starter grip to snap back, guide it back into the housing slowly – see chapter on "Starting / Stopping the Engine."

Have a damaged starter rope replaced by your dealer before it breaks completely. STIHL recommends that you have servicing and repair work carried out exclusively by an authorized STIHL servicing dealer.

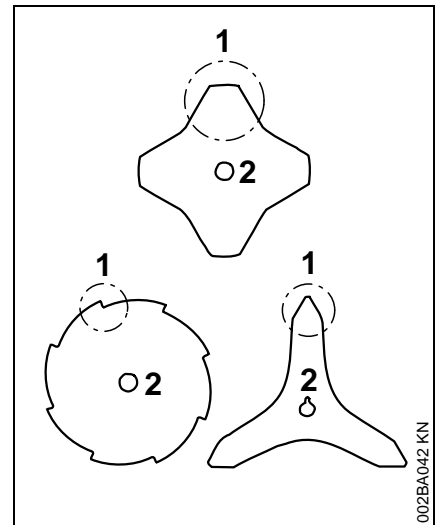
## Storing the Machine

For periods of 3 months or longer

- Drain and clean the fuel tank in a well ventilated area.
- Dispose of fuel properly in accordance with local environmental requirements.
- Run the engine until the carburetor is dry – this helps prevent the carburetor diaphragms sticking together.
- Remove, clean and inspect the cutting attachment.
- Thoroughly clean the machine.
- Store the machine in a dry and secure location – out of the reach of children and other unauthorized persons.

## Sharpening Metal Cutting Blades

- Use a sharpening file (special accessory) to sharpen dull cutting attachments. In case of more serious wear or nicks: Resharpener with a grinder or have the work done by a dealer – STIHL recommends a STIHL servicing dealer.
- Resharpener frequently, take away as little material as possible: two or three strokes of the file are usually enough.



- Resharpener the cutters (1) uniformly – do not alter the contour or the parent blade (2) in any way.

See cutting attachment packaging for additional sharpening instructions.



## Balancing

- After resharpening about 5 times, check the cutting attachment for out-of-balance on a STIHL balancer (special accessory) or have it checked by a dealer and re-balanced as necessary – STIHL recommends a STIHL servicing dealer.

## Inspection and Maintenance by User

### Adjusting the Throttle Cable

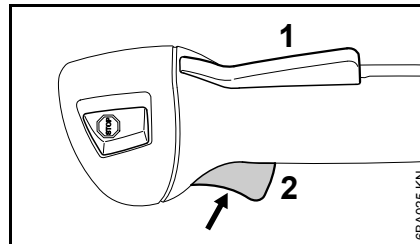
The throttle cable can be adjusted only when the machine is properly assembled. The control handle must be in the normal operating position.

If the following adjustments do not produce the required result, have your servicing dealer repair the machine. STIHL recommends a STIHL servicing dealer.

### Machines with Bike Handle

#### Checking adjustment of throttle cable

Error: Engine speed increases when **only** the throttle trigger is depressed.

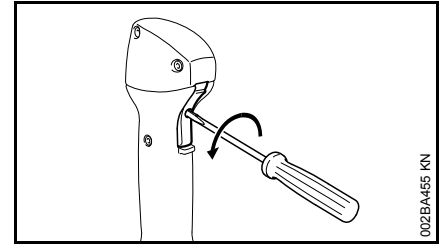


- Start the engine.
- Depress the throttle trigger (2) – **do not** press down the throttle trigger lockout (1).

If the engine speed increases or if the cutting attachment rotates, the throttle cable has to be adjusted.

- Shut down the engine.

### Adjusting the Throttle Cable

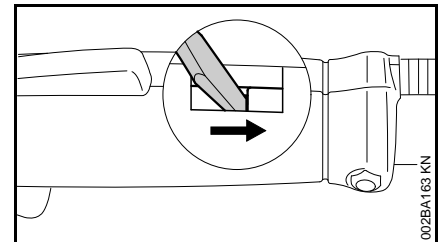


- Depress the throttle trigger lockout (1) and the throttle trigger (2) as far as stop and hold them in that position.

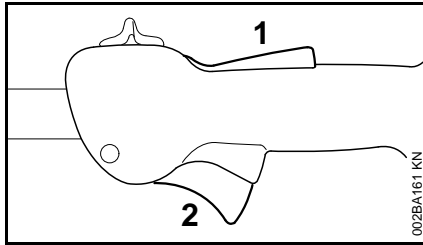
Apply only sufficient pressure to hold the levers against their stops.

- Rotate screw in throttle trigger 1/2 turn counterclockwise.
- Release the throttle trigger and throttle trigger lockout.
- Start the engine and check the adjustment.
- Shut down the engine and repeat adjustment if necessary.

### Models with Loop Handle



- Use a suitable tool to push the slide to the end of the slot (see illustration).



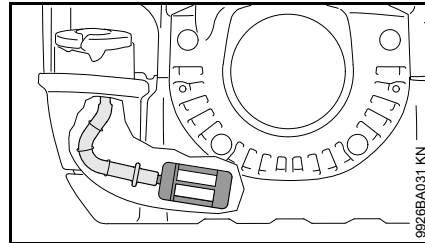
- Press down the trigger lockout (1) and squeeze the throttle trigger (2) (full throttle) – this sets the throttle cable correctly.

## Inspections and Maintenance by Dealer

### Maintenance Work

STIHL recommends that you have servicing and repair work carried out exclusively by an authorized STIHL servicing dealer.

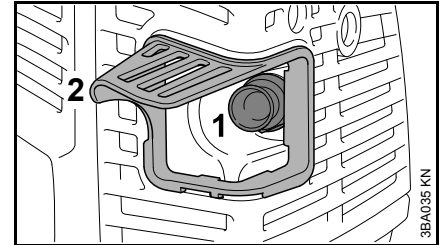
### Fuel Pickup Body in Tank



- Check the pickup body in the fuel tank every year and have it replaced if necessary.

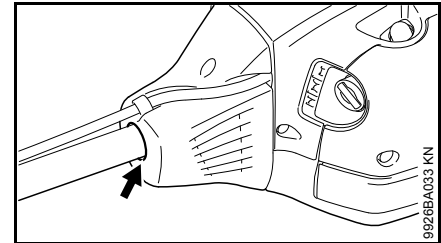
The pickup body should be positioned in the area of the tank shown in the illustration.

### Spark Arrestor in Muffler and Spacer



- If the engine is down on power, have the spark arrestor in the muffler checked.
- Check spacer (2) for damage.
- Have damaged spacer (2) replaced immediately.

### Antivibration Element



A vibration-absorbing rubber element is installed between the powerhead and the drive tube. Have it checked if there are signs of wear or a noticeable increase in vibration levels.

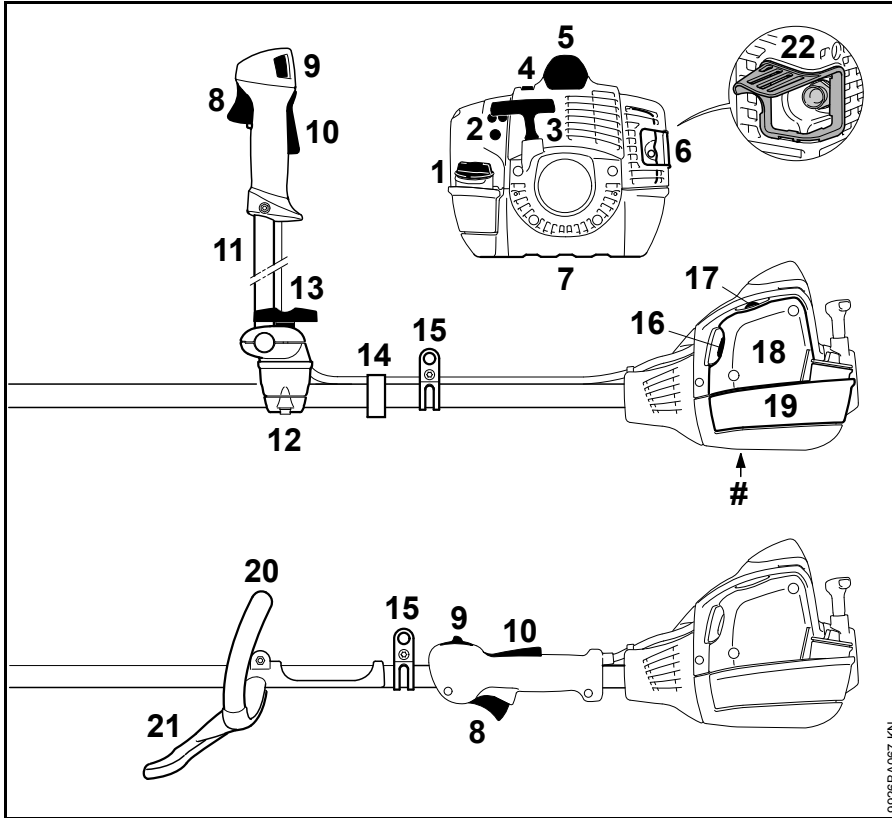
## Maintenance and Care

The following intervals apply to normal operating conditions only. If your daily working time is longer or operating conditions are difficult (very dusty work area, etc.), shorten the specified intervals accordingly.		before starting work	after finishing work or daily	after each refueling stop	weekly	monthly	every 12 months	if problem	if damaged	if required
Complete machine	Visual inspection (condition, leaks)	X		X						
	Clean		X							
	Replace any damaged parts	X								
Control handle	Check operation	X		X						
Air filter, paper filter	Visual inspection					X		X		
	Replace <sup>1)</sup>								X	
Air filter, synthetic fabric filter	Visual inspection					X		X		
	Clean									X
	Replace								X	X
Fuel tank	Clean									X
Pickup body in fuel tank	Check <sup>2)</sup>							X		
	Replace <sup>2)</sup>						X		X	X
Carburetor	Check idle adjustment – the cutting attachment must not turn	X		X						
	Readjust idle speed									X
Spark plug	Readjust electrode gap							X		
	Replace after every 100 operating hours									
Cooling inlets	Visual inspection		X							
	Clean									X
Cylinder fins	Clean <sup>2)</sup>						X			
Spark arrestor in muffler	Check <sup>2)</sup>							X		
	Clean or replace <sup>2)</sup>								X	
Spacer	Check	X								
	Replace <sup>2)</sup>	X						X		

The following intervals apply to normal operating conditions only. If your daily working time is longer or operating conditions are difficult (very dusty work area, etc.), shorten the specified intervals accordingly.		before starting work	after finishing work or daily	after each refueling stop	weekly	monthly	every 12 months	if problem	if damaged	if required
Combustion chamber	Decoke after first 139 hours of operation, then every 150 hours of operation									X
All accessible screws and nuts (not adjusting screws) <sup>2)</sup>	Retighten									X
Antivibration elements	Check <sup>4)</sup>	X						X		
	Replace <sup>2)</sup>								X	
Cutting attachment	Visual inspection	X		X						
	Replace								X	
	Check tightness	X		X						
Metal cutting attachment	Sharpen	X								X
Gearbox lubrication	Check				X			X		X
	Replenish									X
Safety labels	Replace								X	

- 1) Only if there is a noticeable loss of engine power  
2) STIHL recommends that this work be done by a STIHL servicing dealer  
3) Tighten down the muffler mounting screws firmly after first 10 to 20 hours of operation.  
4) see chapter "Inspection and Maintenance by Dealer", section "Antvibration Elements"

## Main Parts



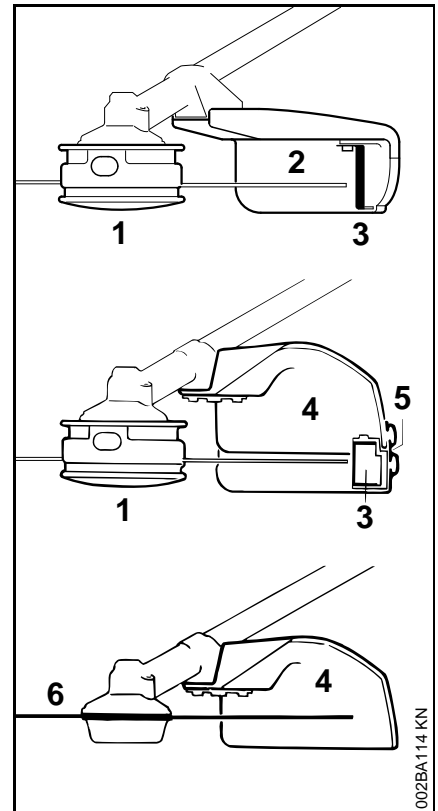
- 1 Fuel Filler Cap
- 2 Carburetor Adjusting Screws
- 3 Starter Grip
- 4 Shutter
- 5 Spark Plug Boot
- 6 Muffler with Spark Arresting Screen
- 7 Guard Plate
- 8 Throttle Trigger
- 9 Momentary Stop Switch
- 10 Throttle Trigger Lockout
- 11 Handlebar
- 12 Handle Support
- 13 Clamp Screw
- 14 Throttle Cable Retainer
- 15 Carrying Ring
- 16 Choke Lever
- 17 Fuel Pump
- 18 Filter Cover
- 19 Fuel Tank
- 20 Loop Handle
- 21 Barrier Bar
- 22 Spacer
- # Serial Number

9926BA067 KN

## Definitions

- 1 Fuel Filler Cap**  
For closing the fuel tank.
- 2 Carburetor Adjusting Screws**  
For tuning the carburetor.
- 3 Starter Grip**  
The grip of the pull starter, for starting the engine.
- 4 Shutter**  
With summer and winter positions. Carburetor is heated in winter position.
- 5 Spark Plug Boot**  
Connects the spark plug with the ignition lead.
- 6 Muffler with Spark Arresting Screen**  
Muffler reduces exhaust noises and diverts exhaust gases away from operator. Spark arresting screen is designed to reduce the risk of fire.
- 7 Guard Plate**  
Protects the fuel tank.
- 8 Throttle Trigger**  
Controls the speed of the engine.
- 9 Momentary Stop Switch**  
Switches the engine's ignition off and stops the engine.
- 10 Throttle Trigger Lockout**  
Must be depressed before the throttle trigger can be activated.
- 11 Handlebar**  
For holding and controlling the unit with the hand during operation.

- 12 Handle Support**  
Connects the shaft and bike handle.
- 13 Clamp Screw**  
Locks handlebar in selected position.
- 14 Throttle Cable Retainer**  
Secures the throttle cable to the drive tube.
- 15 Carrying Ring**  
Connects the unit to the harness.
- 16 Choke Lever**  
Eases engine starting by enriching mixture.
- 17 Fuel Pump**  
Provides additional fuel feed for a cold start.
- 18 Filter Cover**  
Encloses and protects the air filter.
- 19 Fuel Tank**  
For fuel and oil mixture.
- 20 Loop Handle**  
For easy control of machine during cutting work.
- 21 Barrier Bar**  
Helps keep user's feet and legs clear of the cutting tool.
- 22 Spacer**  
Designed to reduce the risk of burns and fire.



- 1** Mowing Head
- 2** Deflector for Mowing Heads
- 3** Line Limiting Blade
- 4** Deflector with Skirt for all Mowing Attachments
- 5** Spark Plug Boot
- 6** Metal Mowing Tool

## Definitions

---

### 1 Mowing Head

The cutting attachment, i. e. mowing head, for different purposes.

### 2 Deflector for Mowing Heads

The deflector is designed to reduce the risk of injury from foreign objects flung backwards toward the operator by the cutting attachment and from contact with the cutting attachment.

### 3 Line Limiting blade

Metal blade at the deflector in order to keep the line of the mowing head at the proper length.

### 4 Deflector with Skirt for all Mowing Attachments

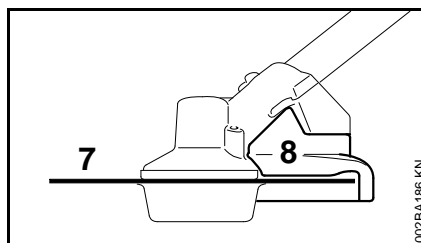
The deflector is designed to reduce the risk of injury from foreign objects flung backwards toward the operator by the cutting attachment and from contact with the cutting attachment. Is not designed to contain fragmented metal blades.

### 5 Skirt

The skirt at the bottom of the deflector must be utilized as described in the chapter "Mounting the Deflector".

### 6 Metal Mowing Tool

The cutting attachment, i. e. blade, made from metal for different purposes.



7 Circular Saw Blade

8 Limit Stop for Circular Saw Blade

## Definitions

---

### 7 Circular Saw Blade

Cutting attachment made of metal for cutting wood.

### 8 Limit Stop for Circular Saw Blade

Is designed to position the brushcutter steady against the wood in order to reduce the risk of injury from loss of control from reactive forces such as thrust out.

## Specifications

### EPA / CEPA

---

The Emission Compliance Period referred to on the Emissions Compliance Label indicates the number of operating hours for which the engine has been shown to meet Federal emission requirements.

Category

A = 300 hours

B = 125 hours

C = 50 hours

### CARB

---

The Emission Compliance Period used on the CARB-Air Index Label indicates the terms:

Extended = 300 hours

Intermediate = 125 hours

Moderate = 50 hours

### Engine

---

Single cylinder two-stroke engine

## FS 240

Version with Bike Handle

Displacement:	37.7 cm <sup>3</sup> (2.30 cu.in)
Bore:	40 mm (1.57 in)
Stroke:	30 mm (1.18 in)
Engine power to ISO 8893:	1.7 kW (2.3 HP) at 8,500 rpm
Idle speed:	2,800 rpm
Cut-off speed (rated):	12,500 rpm
Max. output shaft speed (cutting attachment):	9,360 rpm

## FS 240 R

Version with Loop Handle

Displacement:	37.7 cm <sup>3</sup> (2.30 cu.in)
Bore:	40 mm (1.57 in)
Stroke:	30 mm (1.18 in)
Engine power to ISO 8893:	1.7 kW (2.3 HP) at 8,500 rpm
Idle speed:	2,800 rpm
Cut-off speed (rated):	10,500 rpm
Max. output shaft speed (cutting attachment):	7,930 rpm

## Ignition System

Electronic magneto ignition

Spark plug (resistor type):	NGK CMR6H
Electrode gap:	0.5 mm (0.02 in)

## Fuel System

All position diaphragm carburetor with  
integral fuel pump

Fuel tank capacity:	0.75 L (25.4 fl.oz)
---------------------	------------------------

## Weight

Dry, without cutting attachment and  
deflector

FS 240	7.0 kg (15.4 lbs)
FS 240 R:	6.6 kg (14.6 lbs)

## Overall length

without cutting attachment

FS 240	1805 mm (71.06 in)
FS 240 R:	1865 mm (73.42 in)

## Features

R Loop handle

## Special Accessories

Contact your STIHL dealer for  
information regarding special  
accessories that may be available for  
your product.



## Maintenance and Repairs

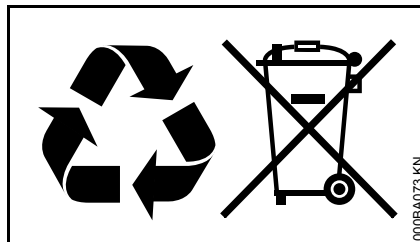
Users of this unit should carry out only the maintenance operations described in this manual. Other repair work may be performed only by authorized STIHL service shops.

Warranty claims following repairs can be accepted only if the repair has been performed by an authorized STIHL servicing dealer using original STIHL replacement parts.

Original STIHL parts can be identified by the STIHL part number, the **STIHL** logo and, in some cases, by the STIHL parts symbol **SI**. The symbol may appear alone on small parts.

## Disposal

Observe all country-specific waste disposal rules and regulations.



STIHL products must not be thrown in the garbage can. Take the product, accessories and packaging to an approved disposal site for environment-friendly recycling.

Contact your STIHL servicing dealer for the latest information on waste disposal.

## STIHL Incorporated Federal Emission Control Warranty Statement

### Not for California

#### Your Warranty Rights and Obligations

The U.S. Environmental Protection Agency (EPA) and STIHL Incorporated are pleased to explain the Emission Control System Warranty on your equipment type engine. In the U.S. new 1997 and later model year small off-road equipment engines must be designed, built and equipped, at the time of sale, to meet the U.S. EPA regulations for small non road engines. The equipment engine must be free from defects in materials and workmanship which cause it to fail to conform with U.S. EPA standards for the first two years of engine use from the date of sale to the ultimate purchaser.

STIHL Incorporated must warrant the emission control system on your small off-road engine for the period of time listed below provided there has been no abuse, neglect or improper maintenance of your small off-road equipment engine.

Your emission control system includes parts such as the carburetor and the ignition system. Also included may be hoses, and connectors and other emission-related assemblies.

Where a warrantable condition exists, STIHL Incorporated will repair your small off-road equipment engine at no cost to you, including diagnosis (if the diagnostic work is performed at an authorized dealer), parts, and labor.

### Manufacturer's Warranty Coverage

In the U.S., 1997 and later model year small off-road equipment engines are warranted for two years. If any emission-related part on your engine is defective, the part will be repaired or replaced by STIHL Incorporated free of charge.

### Owner's Warranty Responsibilities

As the small off-road equipment engine owner, you are responsible for the performance of the required maintenance listed in your instruction manual. STIHL Incorporated recommends that you retain all receipts covering maintenance on your small off-road equipment engine, but STIHL Incorporated cannot deny warranty solely for the lack of receipts or for your failure to ensure the performance of all scheduled maintenance.

Any replacement part or service that is equivalent in performance and durability may be used in non-warranty maintenance or repairs, and shall not reduce the warranty obligations of the engine manufacturer.

As the small off-road equipment engine owner, you should be aware, however, that STIHL Incorporated may deny you warranty coverage if your small off-road equipment engine or a part has failed due to abuse, neglect, improper maintenance or unapproved modifications.

You are responsible for presenting your small off-road equipment engine to a STIHL service center as soon as a problem exists. The warranty repairs will be completed in a reasonable amount of time, not to exceed 30 days.

If you have any questions regarding your warranty rights and responsibilities, please contact a STIHL customer service representative at 1-800-467-8445 or you can write to

STIHL Inc.,  
536 Viking Drive, P.O. Box 2015,  
Virginia Beach, VA 23450-2015  
[www.stihlusa.com](http://www.stihlusa.com)

### Coverage by STIHL Incorporated

STIHL Incorporated warrants to the ultimate purchaser and each subsequent purchaser that your small off-road equipment engine will be designed, built and equipped, at the time of sale, to meet all applicable regulations. STIHL Incorporated also warrants to the initial purchaser and each subsequent purchaser that your engine is free from defects in materials and workmanship which cause the engine to fail to conform with applicable regulations for a period of two years.

### Warranty Period

The warranty period will begin on the date the utility equipment engine is purchased by the initial purchaser and you have signed and sent back the warranty card to STIHL.

If any emission-related part on your engine is defective, the part will be replaced by STIHL Incorporated at no cost to the owner. Any warranted part which is not scheduled for replacement as required maintenance, or which is scheduled only for regular inspection to the effect of "repair or replace as necessary" will be warranted for the warranty period. Any warranted part which is scheduled for replacement as

required maintenance will be warranted for the period of time up to the first scheduled replacement point for that part.

### Diagnosis

You, as the owner, shall not be charged for diagnostic labor which leads to the determination that a warranted part is defective. However, if you claim warranty for a component and the machine is tested as non-defective, STIHL Incorporated will charge you for the cost of the emission test. Mechanical diagnostic work will be performed at an authorized STIHL servicing dealer. Emission test may be performed either at STIHL Incorporated or at any independent test laboratory.

### Warranty Work

STIHL Incorporated shall remedy warranty defects at any authorized STIHL servicing dealer or warranty station. Any such work shall be free of charge to the owner if it is determined that a warranted part is defective.

Any manufacturer-approved or equivalent replacement part may be used for any warranty maintenance or repairs on emission-related parts and must be provided without charge to the owner. STIHL Incorporated is liable for damages to other engine components caused by the failure of a warranted part still under warranty.

The following list specifically defines the emission-related warranted parts:

- Air Filter
- Carburetor (if applicable)
- Fuel Pump

- Choke (Cold Start Enrichment System) (if applicable)
- Control Linkages
- Intake Manifold
- Magneto or Electronic Ignition System (Ignition Module or Electronic Control Unit)
- Fly Wheel
- Spark Plug
- Injection Valve (if applicable)
- Injection Pump (if applicable)
- Throttle Housing (if applicable)
- Cylinder
- Muffler
- Catalytic Converter (if applicable)
- Fuel Tank
- Fuel Cap
- Fuel Line
- Fuel Line Fittings
- Clamps
- Fasteners

### Where to make a Claim for Warranty Service

Bring the product to any authorized STIHL servicing dealer and present the signed warranty card.

### Maintenance Requirements

The maintenance instructions in this manual are based on the application of the recommended 2-stroke fuel-oil mixture (see also instruction "Fuel"). Deviations from this recommendation

regarding quality and mixing ratio of fuel and oil may require shorter maintenance intervals.

### Limitations

This Emission Control Systems Warranty shall not cover any of the following:

- repair or replacement required because of misuse, neglect or lack of required maintenance,
  - repairs improperly performed or replacements not conforming to STIHL Incorporated specifications that adversely affect performance and/or durability, and alterations or modifications not recommended or approved in writing by STIHL Incorporated,
- and
- replacement of parts and other services and adjustments necessary for required maintenance at and after the first scheduled replacement point.

## STIHL Incorporated California Exhaust and Evaporative Emissions Control Warranty Statement

### For California only

### Your Warranty Rights and Obligations

The California Air Resources Board (CARB) and STIHL Incorporated are pleased to explain the emission control system warranty on your 2013 and later small off-road equipment engine.

In California, new equipment that uses small off-road engines must be designed, built, and equipped to meet the State's stringent anti-smog standards. STIHL Incorporated must warrant the emissions control system on your small off-road engine for the period listed below provided there has been no abuse, neglect or improper maintenance of your small off-road engine.

Your emissions control system may include parts such as the carburetor or fuel-injection system, the ignition system, and catalytic converter. Also included may be hoses, belts, connectors or other emission-related assemblies.

Where a warrantable condition exists, STIHL Incorporated will repair your small off-road equipment engine at no cost to you including diagnosis, parts and labor.

### **Manufacturer's Warranty Responsibilities**

This emissions control system is warranted for two years in California. If any emissions-related part on your equipment is defective, the part will be repaired or replaced by STIHL Incorporated free of charge.

### **Owner's Warranty Responsibilities**

As the small off-road equipment engine owner, you are responsible for performance of the required maintenance listed in your instruction manual. STIHL Incorporated recommends that you retain all receipts covering maintenance on your small off-road equipment engine, but STIHL Incorporated cannot deny warranty solely for the lack of receipts or your failure to ensure the performance of all scheduled maintenance.

As the small off-road equipment engine owner, you should however be aware that STIHL Incorporated may deny you warranty coverage if your small off-road equipment engine or a part has failed due to abuse, neglect, or improper maintenance or unapproved modifications.

You are responsible for presenting your small off-road equipment engine to a STIHL servicing dealer as soon as the problem exists. The warranty repairs should be completed in a reasonable amount of time, not to exceed 30 days. If you have any questions regarding your warranty rights and responsibilities, please contact a STIHL customer service representative at 1-800-467-8445 or you can write to

STIHL Inc., 536 Viking Drive,  
P.O. Box 2015,  
Virginia Beach, VA 23450-2015.

[www.stihlusa.com](http://www.stihlusa.com)

### **Coverage by STIHL Incorporated**

STIHL Incorporated warrants to the ultimate purchaser and each subsequent purchaser that your small off-road equipment engine is designed, built and equipped, at the time of sale, to meet all applicable emission regulations.

STIHL Incorporated also warrants to the initial purchaser and each subsequent purchaser that your engine is free from defects in materials and workmanship which cause the engine to fail to conform to applicable emission regulations for a period of two years.

### **Defects Warranty Period**

The warranty periods will begin on the date the utility equipment engine is purchased by the initial purchaser. If any emission-related part on your engine is defective, the part will be replaced by STIHL Incorporated at no cost to the owner.

Add-on or modified parts that are not exempted by CARB may not be used. The use of any non-exempted add-on or modified parts will be grounds for disallowing a warranty claim. STIHL Incorporated will not be liable to warrant failures of warranted parts caused by the use of a non-exempted add-on or modified part.

The warranty on emissions-related parts will be interpreted as follows:

1. Any warranted part that is not scheduled for replacement as required maintenance in the written instructions required in the Emission Warranty Parts List (see below) must be warranted for the warranty period defined in Subsection COVERAGE BY STIHL INCORPORATED, see above. If any such part fails during the period of warranty coverage, it must be repaired or replaced by the manufacturer according to Subsection (4) below. Any such part repaired or replaced under the warranty must be warranted for the remaining warranty period.
2. Any warranted part that is scheduled only for regular inspection in the written instructions required by the Emission Warranty Parts List (see below) must be warranted for the warranty period defined in Subsection COVERAGE BY STIHL INCORPORATED, see above. A statement in such written instructions to the effect of "repair or replace as necessary" will not reduce the period of warranty coverage. Any such part repaired or replaced under warranty must be warranted for the remaining warranty period.
3. Any warranted part that is scheduled for replacement as required maintenance in the written instructions required by the Emission Warranty Parts List (see below) must be warranted for the period of time prior to the first scheduled replacement point for

that part. If the part fails prior to the first scheduled replacement, the part must be repaired or replaced by the engine manufacturer according to Subsection (4) below. Any such part repaired or replaced under warranty must be warranted for the remainder of the period prior to the first scheduled replacement point for the part.

4. Repair or replacement of any warranted part under the warranty must be performed at a warranty station at no charge to the owner.
5. Notwithstanding the provisions of Subsection (4) above, warranty services or repairs will be provided at all manufacturer distribution centers that are authorized to service the subject engines.
6. The owner must not be charged for diagnostic labor that leads to the determination that a warranted part is in fact defective, provided that such diagnostic work is performed at a warranty station.

### **Warranty Work**

STIHL Incorporated shall remedy warranty defects at any authorized STIHL servicing dealer or warranty station. Any such work shall be free of charge to the owner if it is determined that a warranted part is defective. Any manufacturer approved or equivalent replacement part may be used for any warranty maintenance or repairs on emission-related parts and must be provided without charge to the owner. STIHL Incorporated is liable for

damages to other engine components caused by the failure of a warranted part still under warranty.

### **Emission Warranty Parts List**

Air Filter, Carburetor (if applicable), Fuel Pump, Choke (Cold Start Enrichment System) (if applicable), Control Linkages, Intake Manifold, Magneto or Electronic Ignition System (Ignition Module or Electronic Control Unit), Fly Wheel, Spark Plug, Injection Valve (if applicable), Injection Pump (if applicable), Throttle Housing (if applicable), Cylinder, Muffler, Catalytic Converter (if applicable), Fuel Tank, Fuel Cap, Fuel Line, Fuel Line Fittings, Clamps, Fasteners.

### **Where to make a Claim for Warranty Service**

Bring the STIHL product to any authorized STIHL servicing dealer and present the signed STIHL product registration card, or the print-out of the electronic product registration.

### **Limitations**

The repair or replacement of any warranted part otherwise eligible for warranty coverage may be excluded from such warranty coverage if STIHL Incorporated demonstrates that the STIHL product has been abused, neglected, or improperly maintained, and that such abuse, neglect, or improper maintenance was the direct cause of the need for repair or replacement of the part. That notwithstanding, any adjustment of a component that has a factory installed,

and properly operating, adjustment limiting device is still eligible for warranty coverage.

## Trademarks

### STIHL Registered Trademarks

---

STIHL®

**STIHL®**



The color combination orange-grey (U.S. Registrations #2,821,860; #3,010,057, #3,010,058, #3,400,477; and #3,400,476)



4-MIX®

AUTOCUT®

EASYSTART®

FARM BOSS®

iCademy®

MAGNUM®

MasterWrench Service®

MotoMix®

OILOMATIC®

STIHL Cutquik®

STIHL DUROMATIC®

STIHL Quickstop®

STIHL ROLLOMATIC®

STIHL WOOD BOSS®

TIMBERSPORTS®

WOOD BOSS®

YARD BOSS®

### Some of STIHL's Common Law Trademarks

---



BioPlus™

Easy2Start™

EasySpool™

ElastoStart™

Ematic™

FixCut™

HT Plus™

IntelliCarb™

Master Control Lever™

Micro™

Pro Mark™

Quad Power™

Quiet Line™

STIHL Arctic™

STIHL Compact™

STIHL HomeScaper Series™

STIHL Interchangeable Attachment Series™

STIHL M-Tronic™

STIHL MiniBoss™

STIHL MotoPlus 4™

STIHL Multi-Cut HomeScaper Series™

STIHL OUTFITTERS™

STIHL PICCO™

STIHL PolyCut™

STIHL PowerSweep™

STIHL Precision Series™

STIHL Protech™

STIHL RAPID™

STIHL SuperCut™

STIHL Territory™

TapAction™

TrimCut™

This listing of trademarks is subject to change.

Any unauthorized use of these trademarks without the express written consent of ANDREAS STIHL AG & Co. KG, Waiblingen is strictly prohibited.

# Contenido

Acerca de este manual de instrucciones	54	Inspección y mantenimiento por el concesionario	95
Medidas de seguridad y técnicas de manejo	55	Información para mantenimiento	96
Combinaciones aprobadas de accesorio de corte, deflector, mango y arnés	70	Componentes importantes	98
Montaje del manillar	72	Especificaciones	100
Montaje del mango tórico	74	Accesorios especiales	101
Ajuste del cable del acelerador	75	Información de reparación	102
Montaje de la barra de defensa	75	Desecho	102
Montaje del accesorio de corte	76	Declaración de garantía de STIHL Incorporated sobre sistemas de control de emisiones según normas Federales	102
Combustible	80	Declaración de garantía de STIHL Incorporated sobre el control de emisiones de gases de escape y emisiones por evaporación para el Estado de California	105
Llenado de combustible	81	Marcas comerciales	107
Uso de la correa para hombro	82		
Equilibrio de la unidad	83		
Arranque / parada del motor	84		
Instrucciones para el uso	86		
Filtro de aire	87		
Gestión del motor	88		
Ajuste del carburador	88		
Manejo durante el invierno	89		
Bujía	90		
Funcionamiento del motor	92		
Lubricación de la caja de engranajes	92		
Dispositivo de arranque	93		
Almacenamiento de la máquina	93		
Afilado de los accesorios de corte	93		
Inspección y mantenimiento por el usuario	94		

Permita que solamente las personas que comprenden la materia tratada en este manual manejen su orilladora/cortadora de matorrales.

Para obtener el rendimiento y satisfacción máximos de la orilladora/cortadora de matorrales STIHL, es importante que lea, obedezca y comprenda las precauciones de seguridad y las instrucciones de uso y mantenimiento dadas en el capítulo "Precauciones de seguridad y técnicas de uso", antes de usar la orilladora. Para obtener información adicional, visite [www.stihlusa.com](http://www.stihlusa.com).

Comuníquese con su representante de STIHL o el distribuidor de STIHL para su zona si no se entiende alguna de las instrucciones dadas en el presente manual.

## ADVERTENCIA

Dado que la orilladora/cortadora de matorrales es una herramienta de corte motorizada de gran velocidad, es necesario tomar medidas especiales de seguridad para reducir el riesgo de lesiones. El uso descuidado o inadecuado puede causar lesiones graves e incluso mortales.

Asegúrese que su máquina esté equipada con el deflector, mango y arnés adecuados para el tipo de accesorio de corte que se está utilizando. Siempre protéjase adecuadamente los ojos.

# STIHL®

Este manual de instrucciones está protegido por derechos de propiedad intelectual. Todos los derechos reservados, especialmente los derechos de reproducción, traducción y procesamiento con sistemas electrónicos.

## Acerca de este manual de instrucciones

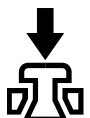
### Pictogramas

Todos los pictogramas que se encuentran fijados o grabados en la máquina se explican en este manual.

Según el modelo, los pictogramas siguientes pueden aparecer en su máquina.



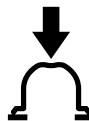
Tanque de combustible que contiene la mezcla de combustible y aceite



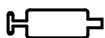
Presione para accionar la válvula de descompresión



Bomba de combustible manual



Presione para accionar la bomba manual de combustible



Orificio de llenado para lubricante de engranajes



Toma de aire para modo de verano



Toma de aire para modo de invierno



Calentador de manillar

### Símbolos en el texto

Muchas de las instrucciones de uso y seguridad vienen acompañadas de ilustraciones.

Los pasos individuales o procedimientos descritos en el manual pueden estar señalados en diferentes maneras:

- Se usa un punto para denotar un paso o procedimiento.

Una descripción de un paso o procedimiento que se refiere directamente a una ilustración puede contener números de referencia que aparecen en la ilustración. Ejemplo:

- Suelte el tornillo (1).
- Palanca (2) ...

Además de las instrucciones de uso, en este manual pueden encontrarse párrafos a los que usted debe prestar atención especial. Tales párrafos están marcados con los símbolos y las palabras identificadoras que se describen a continuación.

#### PELIGRO

Indica un riesgo inminente de lesiones graves o mortales.

#### ADVERTENCIA

Identifica una situación de peligro que, al no evitarse, puede resultar en lesiones graves o mortales.

### INDICACIÓN

Indica el riesgo de daños a la propiedad, incluyendo a la máquina o sus componentes.

### Mejoramientos técnicos

La filosofía de STIHL es mejorar continuamente todos sus productos. Como resultado de ello, periódicamente se introducen cambios de diseño y mejoras. Por lo tanto, es posible que algunos cambios, modificaciones y mejoras no se describen en este manual. Si las características de funcionamiento o la apariencia de su máquina difieren de las descritas en este manual, comuníquese con el concesionario STIHL para obtener la ayuda que requiera.



## Medidas de seguridad y técnicas de manejo



Dado que la orilladora / cortadora de matorrales es una herramienta de corte motorizada, con cuchillas afiladas, que funciona a gran velocidad, es necesario tomar medidas especiales de seguridad para reducir el riesgo de lesiones.



Es importante que usted lea, comprenda bien y respete las siguientes advertencias y medidas de seguridad. Lea el manual de instrucciones y las precauciones de seguridad periódicamente. El uso descuidado o inadecuado puede causar lesiones graves o incluso mortales.



Los términos empleados en este manual para designar la herramienta motorizada variarán de acuerdo con los tipos de accesorios de corte instalados en la misma. La palabra "orilladora" se usa para identificar una unidad FS equipada con un cabezal de hilo de nilón o un cabezal con cuchillas de plástico flexibles (tal como el cabezal PolyCut). La designación "cortadora de matorrales" identifica una unidad equipada con una cuchilla de metal rígida. Muchos de los modelos FS pueden usarse como una orilladora o una cortadora de matorrales – por lo tanto, la herramienta motorizada se

designa aquí como una "orilladora / cortadora de matorrales". Algunos de los modelos FS pequeños y/o livianos sólo pueden usarse como orilladoras, es decir no pueden equiparse con cuchillas metálicas.

Los modelos FS con una "R" en la chapa de identificación se configuraron originalmente (en el momento de distribución) como una orilladora con un mango tórico.



### ADVERTENCIA

Tal como se explicará a continuación en estas Medidas de seguridad, para reducir el riesgo de lesiones personales, asegúrese que su máquina esté equipada con el mango, arnés y deflector adecuados para el tipo de accesorio de corte que se está utilizando. Utilice exclusivamente los accesorios de corte autorizados específicamente por STIHL para usar en su modelo FS.

Pida a su concesionario STIHL que le enseñe el manejo de la herramienta motorizada. Respete todas las disposiciones, reglamentos y normas de seguridad locales del caso.



### ADVERTENCIA

No preste ni alquile nunca su herramienta motorizada sin entregar el manual de instrucciones. Asegúrese que todas las personas que utilicen la máquina lean y comprendan la información contenida en este manual.



### ADVERTENCIA

El uso de esta máquina puede ser peligroso. Si el hilo o la cuchilla giratoria llega a entrar en contacto con su cuerpo, le ocasionará una cortadura. Cuando choca con algún objeto extraño sólido tal como rocas o pedazos de metal, puede arrojarlo directamente o por rebote en dirección de personas que se encuentren en la cercanía o del operador. El contacto con dichos objetos puede dañar los accesorios de corte y puede hacer que las cuchillas se rompan, astillen o agrieten. Los objetos lanzados, incluso los cabezales o las cuchillas rotos, pueden provocar lesiones graves o mortales al operador o a personas que se encuentren en su proximidad.

STIHL no recomienda el uso de cuchillas rígidas en zonas pedregosas.

Use la orilladora / cortadora de matorrales equipada con el accesorio de corte apropiado únicamente para cortar pasto, matorrales, madera y materiales similares.



### ADVERTENCIA

No debe usarse para ningún otro propósito ya que el uso indebido puede resultar en lesiones personales o daños a la propiedad, incluso daños de la máquina.



### ADVERTENCIA

Nunca se debe permitir a los niños que usen esta herramienta motorizada. No se debe permitir la proximidad de otros, especialmente niños y animales, donde se esté utilizando la máquina.

## ADVERTENCIA

Para reducir el riesgo de ocasionar lesiones a las personas en la cercanía y daños a la propiedad, nunca deje la herramienta motorizada en marcha desatendida. Cuando no está en uso (por ejemplo durante el descanso), apáguela y asegúrese que las personas no autorizadas no puedan usarla.

Las medidas de seguridad y avisos contenidos en este manual se refieren al uso de todas las orilladoras / cortadoras de matorrales de STIHL. Los distintos modelos pueden contar con piezas y controles diferentes. Vea la sección correspondiente de su manual de instrucciones para tener una descripción de los controles y la función de los componentes de su modelo.

El uso seguro de una orilladora / cortadora de matorrales atañe a

1. el operador
2. la herramienta motorizada
3. el uso de la herramienta motorizada.

## **EL OPERADOR**

---

### **Condición física**

Usted debe estar en buenas condiciones físicas y psíquicas y no encontrarse bajo la influencia de ninguna sustancia (drogas, alcohol, etc.) que le pueda restar visibilidad, destreza o juicio. No maneje esta máquina cuando está fatigado.

## ADVERTENCIA

Esté alerta. Si se cansa, tómese un descanso. El cansancio puede provocar una pérdida del control. El uso de cualquier herramienta motorizada es fatigoso. Si usted padece de alguna dolencia que pueda ser agravada por la fatiga, consulte a su médico antes de utilizar esta máquina.

## ADVERTENCIA

El uso prolongado de una herramienta motorizada (u otras máquinas) expone al operador a vibraciones que pueden provocar el fenómeno de Raynaud (dedos blancos) o el síndrome del túnel carpiano.

Estas condiciones reducen la capacidad de las manos de sentir y regular la temperatura, producen entumecimiento y ardor y pueden provocar trastornos nerviosos y circulatorios, así como necrosis de los tejidos.

No se conocen todos los factores que contribuyen a la enfermedad de Raynaud, pero el clima frío, el fumar y las enfermedades o condiciones físicas que afectan los vasos sanguíneos y la circulación de la sangre, como asimismo los niveles altos de vibración y períodos prolongados de exposición a la vibración son mencionados como factores en el desarrollo de la

enfermedad de Raynaud. Por lo tanto, para reducir el riesgo de la enfermedad de dedos blancos y del síndrome del túnel carpiano, sírvase notar lo siguiente:

- La mayor parte de las herramientas motorizadas de STIHL se ofrecen con un sistema antivibración ("AV") cuyo propósito es reducir la transmisión de las vibraciones creadas por la máquina a las manos del operador. Se recomienda el uso del sistema AV a aquellas personas que utilizan herramientas motorizadas en forma constante y regular.
- Use guantes y mantenga las manos abrigadas.
- Mantenga el sistema AV en buen estado. Una herramienta motorizada con los componentes flojos o con elementos AV dañados o desgastados también tendrá tendencia a tener niveles más altos de vibración.
- Agarre firmemente los mangos en todo momento, pero no los apriete con fuerza constante y excesiva. Tómese descansos frecuentes.

Todas las precauciones antes mencionadas no le garantizan que va a estar totalmente protegido contra la enfermedad de Raynaud o el síndrome del túnel carpiano. Por lo tanto, los operadores constantes y regulares deben revisar con frecuencia el estado de sus manos y dedos. Si aparece alguno de los síntomas arriba mencionados, consulte inmediatamente al médico.

## ADVERTENCIA

El sistema de encendido de la máquina STIHL produce un campo electromagnético de intensidad muy baja. El mismo puede interferir con algunos tipos de marcapasos. Para reducir el riesgo de lesiones graves o mortales, las personas portadoras de marcapasos deben consultar a sus médicos y al fabricante del marcapasos antes de usar esta máquina.

### Vestimenta adecuada

## ADVERTENCIA

Para reducir el riesgo de lesiones el operador debe usar el equipo protector adecuado.

El deflector provisto con su herramienta motorizada no siempre protege al operador contra todos los objetos extraños (gravilla, vidrio, alambre, etc.) arrojados por el accesorio de corte giratorio. Los objetos arrojados o lanzados por el accesorio también pueden rebotar y golpear al operador.

## ADVERTENCIA



Para reducir el riesgo de lesionarse los ojos, nunca maneje la herramienta motorizada si no tiene puestas gafas o anteojos de seguridad bien ajustados con una protección adecuada en las partes superior y lateral que satisfagan la norma ANSI Z 87.1 (o la norma nacional correspondiente). Para reducir el riesgo de lesionarse la cara, STIHL recomienda usar también una careta o protector facial adecuado sobre las gafas o anteojos de seguridad.

Utilice un casco de seguridad aprobado para reducir el riesgo de lesionarse la cabeza en caso de existir tal tipo de peligro.

El ruido de la herramienta motorizada puede dañar los oídos. Siempre use amortiguadores del ruido (tapones u orejeras) para protegerse los oídos. Los usuarios constantes y regulares deben someterse con frecuencia a un examen o control auditivo.

Esté especialmente alerta y tenga cuidado cuando se usa protectores de oídos, ya que los mismos reducen la posibilidad de oír señales de advertencia (gritos, alarmas, etc.).



Siempre use guantes al usar la máquina y las cuchillas metálicas. Los guantes gruesos y anti-deslizantes mejoran el manejo y ayudan a proteger las manos.



La ropa debe ser de confección fuerte y ajustada, pero no tanto que impida la completa libertad de movimiento. Use pantalones largos hechos de un material grueso para protegerse las piernas. No use pantalones cortos, sandalias o pies descalzos.

Evite el uso de chaquetas sueltas, bufandas, corbatas, joyas, pantalones acampanados o con vueltas, pelo largo suelto o cualquier cosa que pueda engancharse en las ramas, matorrales o piezas en movimiento de la máquina. Sujétese el pelo de modo que quede sobre los hombros.



Es muy importante tener una buena superficie de apoyo para los pies. Póngase botas gruesas con suela antideslizante. Recomendamos las botas de seguridad con puntera de acero.

## LA HERRAMIENTA MOTORIZADA

Para las ilustraciones y definiciones de los componentes de la herramienta motorizada, vea el capítulo sobre "Piezas principales".

### ! ADVERTENCIA

Nunca modifique, de ninguna manera, esta herramienta motorizada. Utilice únicamente los accesorios y repuestos suministrados por STIHL y expresamente autorizados por STIHL para usarse con el modelo específico de STIHL. Si bien es posible conectar a la herramienta motorizada de STIHL ciertos accesorios no autorizados, su uso puede ser, en la práctica, extremadamente peligroso. Para los accesorios de corte autorizados por STIHL para su unidad, consulte el capítulo "Combinaciones aprobadas de accesorio de corte, deflector, mango y arnés", en el manual de instrucciones o en el catálogo STIHL "Accesorios de corte, piezas y accesorios".

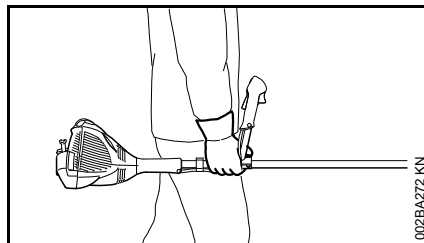
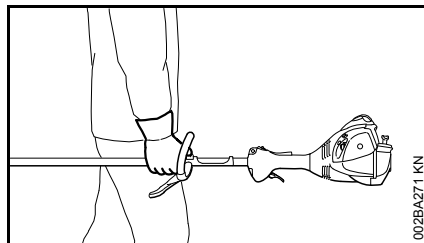
Si la máquina experimenta cargas excesivas para las cuales no fue diseñada (por ejemplo, impactos severos o una caída), siempre asegúrese que la máquina está en buenas condiciones antes de seguir con el trabajo. Inspeccione específicamente la integridad del sistema de combustible (ausencia de fugas) y asegúrese que los controles y dispositivos de seguridad funcionan como es debido. No siga manejando esta máquina si está dañada. En caso de dudas, pida que el concesionario de servicio de STIHL la revise.

## USO DE LA HERRAMIENTA MOTORIZADA

### Transporte de la herramienta motorizada

### ! ADVERTENCIA

Para reducir el riesgo de sufrir lesiones debido a la pérdida de control y al contacto con las cuchillas o el hilo, nunca lleve ni transporte la herramienta motorizada con el accesorio de corte en marcha.



Puede acarrearla solamente en posición horizontal. Agarre el eje de una manera que mantenga la máquina equilibrada horizontalmente. Mantenga el silenciador caliente lejos de su cuerpo y el accesorio de corte detrás de usted.

### ! ADVERTENCIA



Para reducir el riesgo de lesiones por quemaduras, no toque las piezas de la máquina ni la caja de engranajes cuando están calientes.

### ! ADVERTENCIA

Antes de apoyar la orilladora / cortadora de matorrales en el suelo, apague el motor y asegúrese de que el accesorio de corte ha dejado de girar. Cuando transporte la máquina en un vehículo, sujétela firmemente para impedir su vuelco, el derrame de combustible y el daño a la máquina. STIHL recomienda mantener las cuchillas metálicas cubiertas con el protector para el transporte (accesorio opcional).

### Combustible

La herramienta motorizada STIHL utiliza una mezcla de aceite-gasolina como combustible (vea el capítulo "Combustible" en el manual de instrucciones).

**! ADVERTENCIA**

La gasolina es un combustible muy inflamable. Si se derrama y arde a causa de una chispa u otra fuente de ignición, puede provocar un incendio y quemaduras graves o daños a la propiedad. Tenga sumo cuidado cuando manipule gasolina o la mezcla de combustible. No fume cerca del combustible o la herramienta motorizada, ni acerque ningún fuego o llama a ellos. Puede escapar vapor inflamable del sistema de combustible.

**Instrucciones para el llenado de combustible****! ADVERTENCIA**

Para reducir el riesgo de lesiones graves causadas por quemaduras, nunca intente abastecer la máquina con combustible sin que el operador se haya despojado de la misma.

**! ADVERTENCIA**

Cargue de combustible su herramienta motorizada en lugares al aire libre bien ventilados. Siempre apague el motor y deje que se enfríe antes de llenar de combustible. Dependiendo del combustible utilizado, de las condiciones climáticas y del sistema de

ventilación del tanque, es posible que se forme vapor de gasolina a presión dentro del tanque de combustible.

Para reducir el riesgo de quemaduras, así como otras lesiones corporales ocasionadas por los escapes de vapor de gasolina y otras emanaciones, quite la tapa de llenado de combustible de la herramienta motorizada cuidadosamente de modo que la presión que se pueda haber acumulado en el tanque se disipe lentamente. Nunca quite la tapa de llenado de combustible mientras el motor esté funcionando.

Elija una superficie despejada para llenar el tanque y aléjese 3 m (10 pies) por lo menos del lugar en que lo haya llenado antes de arrancar el motor. Limpie todo el combustible derramado antes de arrancar la máquina.

**! ADVERTENCIA**

Compruebe que no existan fugas de combustible mientras llena el tanque y durante el funcionamiento de la máquina. Si detecta alguna fuga de combustible, no arranque el motor ni lo haga funcionar sin antes reparar la fuga y limpiar el combustible derramado. Tenga cuidado de no mancharse la ropa con combustible. Si la mancha, cámbiesela inmediatamente.

**! ADVERTENCIA**

Para reducir el riesgo de derramar combustible y provocar un incendio debido a una tapa de combustible mal apretada, coloque la tapa en la posición correcta y apriétela en la boca de llenado del tanque.

**! ADVERTENCIA**

Las vibraciones de la máquina pueden aflojar una tapa de combustible que ha quedado mal apretada, o simplemente soltarla y derramar combustible. Para reducir el riesgo de derrames e incendio, apriete la tapa de llenado de combustible a mano tan firmemente como sea posible.

**Antes de arrancar****! ADVERTENCIA**

Siempre revise la herramienta motorizada para comprobar que está en buenas condiciones y que funciona correctamente antes de arrancarla, en particular el gatillo de aceleración y su bloqueo, el interruptor momentáneo de parada, el accesorio de corte, el deflector y el arnés. El gatillo de aceleración debe moverse libremente y siempre debe regresar a la posición de marcha en vacío por la acción de resorte. Nunca intente modificar los controles o los dispositivos de seguridad.

### **!** ADVERTENCIA

No maneje nunca una herramienta motorizada que esté dañada, mal ajustada o mantenida o que no fue armada completa y debidamente.

### **!** ADVERTENCIA

No instale ningún accesorio de corte en una máquina sin que todas las piezas requeridas estén correctamente instaladas. Si no se utilizan las piezas debidas se puede causar el desprendimiento de la cuchilla o el cabezal y lesionar gravemente al operador o a las personas que encuentren en su proximidad.

### **!** ADVERTENCIA

El accesorio de corte debe estar correctamente apretado y en buenas condiciones de trabajo. Busque piezas sueltas (tuercas, tornillos, etc.) y cabezales agrietados o dañados, o cuchillas agrietadas, combadas, deformadas o dañadas. Sustituya los cabezales o las cuchillas dañados antes de usar la herramienta motorizada. Mantenga las cuchillas siempre afiladas.

Mantenga los mangos limpios y secos en todo momento; es particularmente importante mantenerlos libres de humedad, aceite, combustible, grasa o resinas para garantizar que la máquina pueda empuñarse firmemente para mantenerla bajo control seguro.

### **!** ADVERTENCIA

Asegúrese de que el casquillo de la bujía esté firmemente colocado – un casquillo suelto puede crear un arco voltaico y encender los vapores del combustible, provocando un incendio.

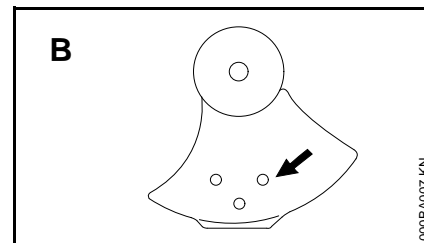
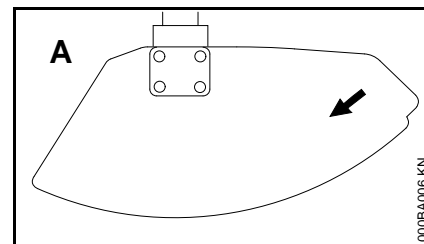
### **!** ADVERTENCIA



Para reducir el riesgo de sufrir lesiones corporales debido a la pérdida de control y/o al contacto con la cuchilla o el hilo y los objetos arrojados, asegúrese que su máquina está equipada con el deflector, mango y arnés correctos para el tipo de accesorio de corte que está usando (vea la tabla en el capítulo "Combinaciones aprobadas de accesorio de corte, deflector, mango y arnés").

Tal como se puede ver en la tabla, para usar algunos de los accesorios de corte puede ser necesario cambiar el deflector, el mango y/o el arnés.

Mantenga siempre el deflector (y la faldilla en su caso) bien ajustado (vea en su manual de instrucciones los capítulos de "Montaje del deflector" y "Montaje del accesorio de corte").



Las flechas (A) en el deflector y el tope (B) (visto del fondo) muestran el sentido correcto de rotación del accesorio de corte. Sin embargo, al verlo de arriba, el accesorio de corte gira en sentido contrahorario.

Ajuste el arnés y la empuñadura de modo correspondiente a su estatura antes de empezar a trabajar. La máquina debe estar correctamente equilibrada de la forma especificada en el manual de instrucciones para un control correcto y menos fatiga de trabajo. Para prepararse para emergencias, practique la liberación rápida de la unidad del arnés.

### Arranque

### **!** ADVERTENCIA

Arranque el motor solamente al aire libre, por lo menos 3 m (10 pies) del lugar en que lo haya llenado.



Para las instrucciones específicas de arranque, vea la sección correspondiente en el manual del usuario. Coloque la herramienta motorizada sobre suelo firme u otra superficie sólida en un lugar abierto. Mantenga el equilibrio y elija un buen punto de apoyo para los pies.

### **!** ADVERTENCIA

Para reducir el riesgo de lesiones debido al contacto con las cuchillas o el hilo, esté absolutamente seguro que el accesorio de corte se encuentra lejos de su cuerpo y de todas las obstrucciones y objetos, incluido el suelo, porque al arrancar el motor, su velocidad será lo suficientemente rápida para que el embrague se engrane y haga girar el accesorio de corte.

Tan pronto arranque, accione inmediatamente por un breve momento el gatillo de aceleración para desconectarlo de la posición de arranque y permitir que el motor se desacelere a la marcha en vacío.

Con el motor funcionando a marcha en vacío solamente, enganche la herramienta motorizada al gancho de resorte de su arnés (vea el capítulo correspondiente en este manual).

### **!** ADVERTENCIA

Su herramienta motorizada es una máquina que debe ser manejada por solamente una persona. No deje que otras personas estén en el lugar de trabajo, aun durante el arranque.

### **!** ADVERTENCIA

Para reducir el riesgo de sufrir lesiones causadas por la pérdida de control, no intente arrancar el motor de la herramienta "por lanzamiento".

### **!** ADVERTENCIA

Cuando tire del mango de arranque, no enrolle la cuerda de arranque alrededor de la mano. No deje que el mango retroceda bruscamente, sino guíe la cuerda de arranque para que se enrolle debidamente. Si no ejecuta este procedimiento puede lastimarse la mano o los dedos y también dañar el mecanismo de arranque.

#### Ajustes importantes

### **!** ADVERTENCIA

Para reducir el riesgo de lesiones personales debido a la pérdida de control o al contacto con el accesorio de corte en movimiento, no use una máquina cuyo régimen de marcha en vacío está mal regulado. Cuando el régimen de marcha en vacío está correctamente regulado, el accesorio de corte no debe moverse. Para instrucciones acerca de cómo ajustar el régimen de marcha en vacío, vea la sección correspondiente del manual de instrucciones.

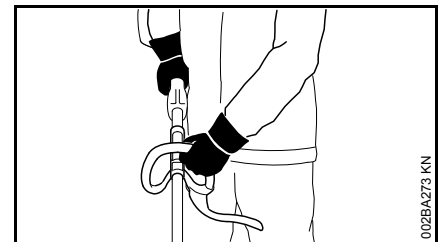
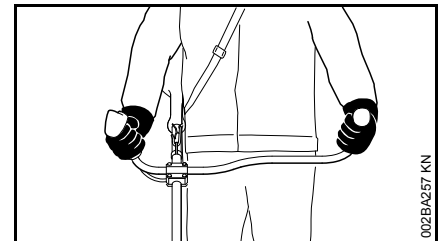
Si no puede regular correctamente la marcha en vacío, pida a su concesionario STIHL que revise la herramienta motorizada y haga los ajustes o reparaciones correspondientes.

### **!** ADVERTENCIA

Esta unidad tiene un sistema de encendido que normalmente está listo para usar en todo momento. Después de usar la palanca de ajuste para detener el motor, la misma regresa automáticamente a la posición "activada". Si el motor está caliente, puede ser posible arrancarlo tirando de la cuerda de arranque sin ajustes adicionales. Para evitar el riesgo de lesiones, tenga sumo cuidado y mantenga alejados a los niños de la máquina.

#### Durante el trabajo

#### Sujeción y control de la herramienta motorizada



Al trabajar, siempre sujete la máquina firmemente con ambas manos en los mangos. Cierre firmemente los dedos y pulgares sobre los mangos. En las máquinas con mango tórico y barra de

defensa, la mano izquierda se coloca en el mango tórico y la derecha en la palanca de control. Esto también corresponde a personas zurdas.

**! ADVERTENCIA**



Nunca intente manejar la herramienta motorizada con una sola mano. La pérdida de control de la herramienta motorizada puede ocasionar lesiones graves o mortales. Para reducir el riesgo de lesionarse, mantenga las manos y los pies alejados del accesorio de corte. No toque nunca con las manos ni con cualquier parte del cuerpo un accesorio de corte en movimiento.

**! ADVERTENCIA**

No trate de alcanzar más lejos de lo debido. Mantenga los pies bien apoyados y equilibrados en todo momento. Se debe tener cuidado especial cuando las condiciones del suelo son resbaladizas (suelo húmedo, nieve) y en terreno difícil y con mucha vegetación. Para evitar tropezarse, esté atento a los obstáculos ocultos tales como tocones, raíces y zanjas. Para obtener un punto de apoyo seguro, quite los matorrales y el material cortado. Sea sumamente precavido cuando trabaje en declives o terreno irregular.

**! ADVERTENCIA**

Para reducir el riesgo de lesiones causadas por la pérdida del control, nunca trabaje sobre una escalera o cualquier otra superficie de soporte poco seguro. Nunca mantenga el accesorio de corte a una altura más arriba de la cintura.

**Condiciones de trabajo**

Maneje y arranque su herramienta motorizada solamente al aire libre en un lugar bien ventilado. Manéjela solamente en condiciones de buena visibilidad y a la luz del día. Trabaje con mucho cuidado.

**! ADVERTENCIA**



Tan pronto arranca, este producto genera vapores de escape tóxicos que contienen productos químicos (tales como hidrocarburos sin quemar y monóxido del carbono, incluyendo el benceno) considerados como causantes de enfermedades respiratorias, cáncer, defectos de nacimiento u otra toxicidad reproductora. Algunos de estos gases (por ej., monóxido de carbono) pueden ser incoloros e inodoros. Para reducir el riesgo de sufrir lesiones graves o mortales por respirar gases tóxicos, nunca haga funcionar la máquina puertas adentro o en lugares mal ventilados.

**! ADVERTENCIA**

Si la vegetación que se está cortando o la tierra en el lugar está recubierta de una sustancia química (tal como un pesticida o herbicida activo), lea y siga las instrucciones suministradas con la sustancia en cuestión.

**! ADVERTENCIA**

La inhalación de ciertos polvos, especialmente los polvos orgánicos, tales como el moho o polen, puede provocar reacciones alérgicas o asmáticas en las personas sensibles. La



inhalación repetida o de grandes cantidades de polvo u otros contaminantes del aire, especialmente los de partículas pequeñas puede causar enfermedades respiratorias o de otro tipo. Controle el polvo en su fuente, siempre que sea posible. Utilice buenas prácticas de trabajo, tal como trabajar de manera que el viento o el proceso de corte dirija el polvo producido por la herramienta motorizada en sentido opuesto del operador. Observe las recomendaciones emitidas por EPA/OSHA/NIOSH y las asociaciones de trabajo y los sindicatos con respecto al polvo ("materia particulada"). Cuando sea imposible eliminar significativamente la inhalación del polvo, es decir mantener el nivel cerca del valor ambiente, el operador y las personas que se encuentren en la cercanía siempre deberán usar un respirador aprobado por NIOSH/MSHA para el tipo de polvo presente en el lugar.

### Instrucciones de manejo

#### ADVERTENCIA

No maneje la herramienta motorizada usando el bloqueo de acelerador para arranque, pues no tendrá control de la velocidad del motor.

En caso de emergencia, apague el motor inmediatamente – mueva el interruptor de parada a **0** o **STOP**

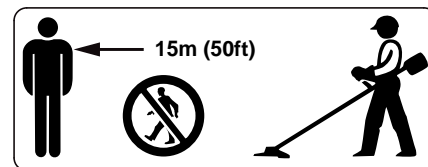
#### ADVERTENCIA



El accesorio de corte sigue girando por un rato después que se suelta el gatillo de aceleración (efecto de volante).

#### ADVERTENCIA

El accesorio de corte giratorio puede arrojar objetos extraños a gran distancia directa o indirectamente.



Para reducir el riesgo de ocasionar lesiones a los ojos u otras partes del cuerpo (vea el capítulo "Vestimenta adecuada"), asegúrese que las personas estén a por lo menos 15 m (50 pies) de distancia de la máquina. Para reducir el riesgo de ocasionar daños a la propiedad, mantenga esta distancia con respecto a los vehículos y las ventanas. Aun si se mantiene una distancia mínima de 15 metros, esto no elimina el peligro potencial. Los trabajadores que deben quedar en la zona prohibida también deben usar gafas o protección ocular. Apague el motor inmediatamente si se le aproxima alguna persona.

#### ADVERTENCIA



Revise la zona de trabajo: Para reducir el riesgo de lesionarse, retire las piedras, piezas metálicas y otros objetos sólidos que pudieran ser lanzados a una distancia de 15 metros o más por el accesorio de corte, o que pudieran dañar el accesorio de corte y la propiedad (por ejemplo: vehículos estacionados, ventanas)



#### ADVERTENCIA

La orilladora / cortadora de matorrales normalmente se usa a nivel del suelo con el accesorio de corte paralelo al suelo. El uso de la orilladora / cortadora de matorrales sobre el nivel del suelo o con el accesorio de corte perpendicular al suelo puede incrementar el riesgo de lesiones, dado que el accesorio de corte queda casi totalmente expuesto y la herramienta motorizada es más difícil de controlar. No use nunca la orilladora / cortadora de matorrales para recortar setos.

#### ADVERTENCIA

Durante el corte, revise frecuentemente el apriete y la condición del accesorio de corte en intervalos regulares con el motor y el accesorio parados. Si nota un cambio en el comportamiento del accesorio durante el trabajo, apague el motor inmediatamente, espere hasta que se pare el accesorio de corte y revise el apriete de la tuerca que sujeta

el accesorio y revise la cuchilla o el cabezal en busca de grietas, desgaste y daños.

### ADVERTENCIA

Una cuchilla o un cabezal suelto puede vibrar, agrietarse, romperse o salirse de la orilladora / cortadora de matorrales, lo que puede provocar lesiones graves o mortales. Asegúrese que el accesorio de corte esté correctamente apretado. Utilice la llave suministrada o cualquier otra que tenga el largo adecuado para obtener el par de apriete adecuado. Si la cuchilla o el cabezal se suelta después de haberlo apretado correctamente, deje de usar la máquina inmediatamente. La tuerca de retención puede estar desgastada o dañada y debe ser sustituida. Si la cuchilla o el cabezal continúa aflojándose, consulte al concesionario STIHL. No use nunca una orilladora / cortadora de matorrales con un accesorio de corte suelto.

### ADVERTENCIA

Sustituya inmediatamente un cabezal trizado, dañado o desgastado o una cuchilla trizada, combada, deformada, dañada, desafilada o desgastada, incluso si solamente hay rayas superficiales. Los accesorios en esa condición pueden romperse a velocidad alta y causar lesiones graves o mortales.

### ADVERTENCIA

Cuando utilice cuchillas rígidas, evite cortar cerca de vallas, edificios, tocones, piedras u otros objetos de ese tipo que puedan causar contragolpe de la herramienta motorizada o daños a la

cuchilla. Para ese tipo de trabajo, STIHL recomienda el uso de cabezas con hilo de nilón. Además, tenga en cuenta que en estos casos aumenta la posibilidad de que ocurran rebotes.

### ADVERTENCIA

Si el cabezal, la cuchilla o el deflector se atasca o queda pegado, siempre apague el motor y asegúrese que el accesorio de corte está detenido antes de limpiarlo. Quite el pasto, las malezas, etc. de la cuchilla o de alrededor del cabezal en intervalos regulares.

### ADVERTENCIA

Para reducir el riesgo de la rotación inesperada del accesorio de corte y la posibilidad de sufrir lesiones, siempre apague el motor y quite el casquillo de la bujía antes de sustituir el accesorio de corte. Para reducir el riesgo de sufrir lesiones, siempre apague el motor antes de ajustar el largo del hilo de nilón en las cabezas segadoras de ajuste manual.

### ADVERTENCIA

Debido al riesgo de encendido no controlado, no haga girar el motor con el arrancador sin tener instalada la bujía o el casquillo de la misma.

### ADVERTENCIA

La caja de engranajes está caliente durante el funcionamiento de la máquina. Para reducir el riesgo de lesiones por quemaduras, no toque la caja de engranajes cuando está caliente.

### ADVERTENCIA

Nunca modifique el silenciador. La modificación del silenciador podría causar el aumento del calor irradiado, de las chispas y del nivel de ruido, lo que aumentará el riesgo de incendios, lesiones por quemadura o la pérdida auditiva. Además, se podría dañar permanentemente el motor. Haga reparar el silenciador únicamente por el concesionario de servicio STIHL.

### ADVERTENCIA

El silenciador y otros componentes del motor (por ej., aletas del cilindro, bujía) se calientan durante el funcionamiento y permanecen calientes por un buen rato después de apagar el motor. Para reducir el riesgo de quemaduras, no toque el silenciador ni los otros componentes mientras están calientes. Mantenga limpia la zona alrededor del silenciador. Quite el lubricante excesivo y toda la basura tal como las agujas de pinos, ramas u hojas. Deje que el motor se enfríe apoyado sobre una superficie de hormigón, metal, suelo raso o madera maciza, lejos de toda sustancia combustible.

### ADVERTENCIA

Una caja de cilindro dañada o mal instalada, o una envuelta del silenciador dañada o deformada, puede perjudicar el proceso de enfriamiento del silenciador. Para reducir el riesgo de incendio o lesiones por quemadura, no continúe trabajando con una caja de cilindro dañada o mal instalada, o una envuelta del silenciador dañada o deformada.

El silenciador tiene un chispero diseñado para reducir el riesgo de incendio debido a la emisión de partículas calientes. Nunca haga funcionar la unidad sin tener instalado el chispero. Si la mezcla de gasolina y aceite está correcta (no es demasiado rica), en condiciones normales el chispero quedará limpio como resultado del calor del silenciador y no necesitará servicio ni mantenimiento. Si el rendimiento de su máquina comienza a disminuir y sospecha que las rejillas están obstruidas, haga reparar el silenciador por un concesionario de servicio STIHL. Para ciertas aplicaciones, las leyes o los reglamentos estatales o federales pueden requerir el uso de un chispero en buenas condiciones. Consulte la sección "Mantenimiento, Reparación y Almacenamiento" de estas Medidas de seguridad. Recuerde que el riesgo de incendios de matorrales o forestales es mayor durante las estaciones calurosas y secas.

## **USO DEL ACCESORIO DE CORTE**

Para una ilustración de los diversos accesorios de corte y las instrucciones sobre el montaje correcto, vea el capítulo sobre "Montaje del accesorio de corte" en su manual de instrucciones.

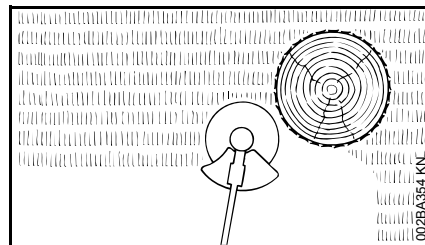
### **! ADVERTENCIA**

Para reducir el riesgo de lesiones personales o la muerte debido al contacto con las cuchillas y/o a la pérdida de control, nunca intente usar una cuchilla metálica en una máquina modelo FS no aprobada para esta aplicación.

### **Uso de las cabezas segadoras**

No use con un hilo de segado más largo que el deseado. Con un deflector debidamente instalado, la cuchilla limitadora integral automáticamente ajusta el hilo al largo adecuado.

Al usar la máquina con un hilo de nilón de largo excesivo se aumenta la carga del motor y se reduce la velocidad de funcionamiento. Esto hace que el embrague patine continuamente y resulta en sobrecalentamiento y daño de los componentes importantes (por ejemplo, el embrague y las piezas de polímero de la caja). Un efecto de este tipo de daño puede ser la rotación del accesorio de corte cuando el motor está a la velocidad de marcha en vacío.



Las cabezas segadoras deben usarse solamente en las orilladoras / cortadoras de matorrales con una cuchilla limitadora del hilo en el deflector para mantener el hilo al largo correcto (vea el capítulo "Piezas principales" en el manual de instrucciones).

Si las orillas del césped tienen árboles o están bordeadas por un cerco, etc., es mejor usar el cabezal de hilo de nilón. Deja un corte más "suave" con menos riesgo de dañar la corteza de los árboles, etc., que si se usan cuchillas de polímero.

Sin embargo, el cabezal PolyCut de STIHL con cuchilla de polímero produce un mejor corte si no hay plantas a lo largo de la orilla del césped. No es necesario afilar y las cuchillas de polímero desgastadas se pueden cambiar fácilmente.

### **! ADVERTENCIA**

Para reducir el riesgo de lesiones graves, nunca use un hilo de alambre o reforzado con metal ni ningún otro material en lugar de los hilos de corte de nilón. Es posible que unos pedazos de alambre sean desprendidos y arrojados a gran velocidad contra el operador o terceros.

### **Cabeza segadora SuperCut de STIHL**

El hilo se avanza automáticamente. Los hilos deshilachados se reemplazan con un ajuste sencillo (consulte la hoja de instrucciones provista con la cabeza segadora).

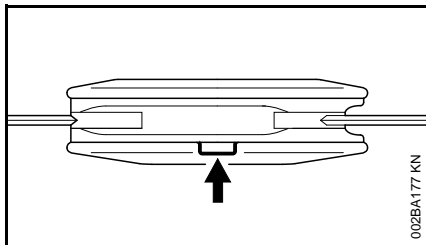
### **Cabeza segadora AutoCut de STIHL**

El hilo de corte de nilón avanza automáticamente cuando se le golpea contra el suelo (característica TapAction).

### **Cabeza segadora TrimCut de STIHL**

Los hilos deshilachados se reemplazan con un ajuste sencillo (consulte la hoja de instrucciones provista con la cabeza segadora).

## Cabeza segadora PolyCut de STIHL



Utiliza ya sea hilos de nilón o cuchillas de polímero pivotantes no rígidas.

Observe los indicadores de desgaste.

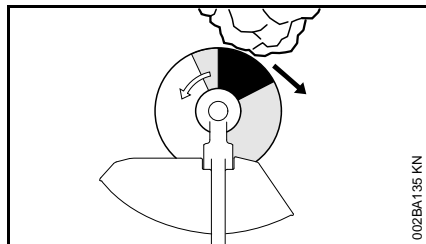
### ! ADVERTENCIA

En la base (periferia) de la PolyCut hay tres marcas rectangulares de límite de desgaste. Para reducir el riesgo de lesiones graves causadas por la rotura de la cabeza o de las cuchillas, la PolyCut no debe ser utilizada cuando se ha desgastado hasta una de estas marcas. Es importante seguir las instrucciones para el mantenimiento suministradas con la cabeza segadora.

### ! ADVERTENCIA

Si se pasan por alto las marcas de límite de desgaste, el accesorio de corte puede astillarse y lanzar objetos que puedan lesionar al operador o a terceros. Para reducir el riesgo de lesiones causadas por la rotura de la cuchilla, evite el contacto con las piedras, el metal u otros objetos sólidos. Revise la condición de las cuchillas PolyCut en intervalos regulares. Siempre sustituya todas las cuchillas si se encuentra una fisura en una cuchilla.

El riesgo de expulsión (disparo de la cuchilla) existe con todas las cuchillas rígidas

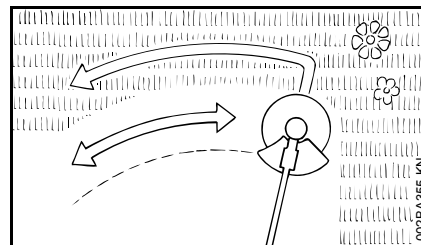


### ! ADVERTENCIA

La expulsión (disparo de la cuchilla) es el movimiento repentino y no controlado hacia el lado derecho o posterior del operador que puede suceder cuando la zona sombreada (especialmente la zona muy oscura) de la cuchilla giratoria entra en contacto con un objeto macizo tal como un árbol, roca, arbusto o pared. La rápida rotación en sentido contrahorario puede ser detenida o aminorada y el accesorio de corte puede salir despedido hacia la derecha o detrás.

Esta expulsión (disparo de la cuchilla) puede ocasionar la pérdida de control de la herramienta motorizada y provocar lesiones graves o mortales al usuario o a personas en su proximidad. Para reducir el riesgo, es necesario extremar las precauciones a la hora de cortar con la zona sombreada de cualquier cuchilla rígida.

Uso de la cuchilla de cortar pasto



Todos los tipos de pasto y malezas se pueden cortar fácilmente con la cuchilla de cortar pasto. Para ello, la herramienta motorizada se mueve en forma de arco, como si fuera una guadaña.

### ! ADVERTENCIA

Para reducir el riesgo de lesiones graves o mortales debido a la rotura de la cuchilla, no intente nunca cortar madera con esta cuchilla.

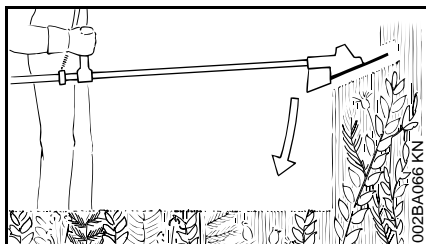
La función de la cuchilla de **4 dientes** es la de cortar pasto y malezas. Tiene 4 cuchillos con filo en los dos lados, esto es, en las partes delantera y trasera. Cuando los bordes cortantes en un lado se desafilan, es posible invertir la cuchilla para usar los bordes cortantes en el otro lado.

Recomendamos la cuchilla de **8 dientes** para los casos en que haya que cortar helechos o cañas.

Los dos tipos de cuchillas para cortar pasto deben ser afiladas al desgastarse sus filos o bordes cortantes.

## Uso de la cuchilla para matorrales

Cuando se instala la cuchilla para matorrales en la herramienta motorizada, es adecuada para cortar desde pasto hasta malezas, plantas silvestres y arbustos.



Para cortar plantas y arbustos silvestres, baje la cuchilla giratoria para matorrales hasta la planta para crear un efecto de picado, pero mantener la herramienta por debajo del nivel de la cintura en todo momento.

### ! ADVERTENCIA

Tenga **sumo cuidado** al emplear este método de corte. Cuanto mayor sea la distancia entre el accesorio de corte y el suelo, mayor es el riesgo de perder el control o lanzar objetos por los lados.

Utilice la herramienta motorizada como una guadaña para cortar pasto, es decir, haga pasadas en uno y otro sentido, describiendo un arco.

### ! ADVERTENCIA

Al cortar materiales parecidos a madera, utilice el lado izquierdo de la cuchilla para evitar la "expulsión" (disparo de la cuchilla).

### ! ADVERTENCIA

El uso incorrecto de una cuchilla para matorrales puede causar agrietaciones, picaduras o roturas. Las piezas de cuchilla lanzadas pueden causar lesiones graves o mortales al operador o a terceros. Para reducir el riesgo de lesiones, evite el contacto con objetos duros o macizos tales como piedras, rocas u objetos metálicos.

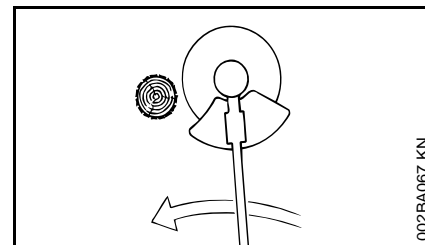
### ! ADVERTENCIA

Al cortar árboles jóvenes y otros materiales de hasta 2 cm (3/4 pulg) de diámetro, utilice el lado izquierdo de la cuchilla para evitar la "expulsión" de la misma (consulte la sección "El riesgo de expulsión (disparo de la cuchilla) existe con todas las cuchillas rígidas"). No intente cortar materiales parecidos a la madera cuyo diámetro sea mayor, puesto que la cuchilla puede atorarse o tirar de la herramienta motorizada repentinamente hacia adelante. Esto puede dañar la cuchilla o la herramienta motorizada, o causar la pérdida de control de la misma, lo cual puede resultar en lesiones personales. Utilice una sierra circular para estos tipos de trabajos.

### ! ADVERTENCIA

Inspeccione la cuchilla para matorrales a intervalos periódicos y cortos en busca de daños. No continúe trabajando con una cuchilla para matorrales que esté dañada. Afile la cuchilla para matorrales periódicamente (cuando ha perdido su filo de modo apreciable).

## Uso de la sierra circular



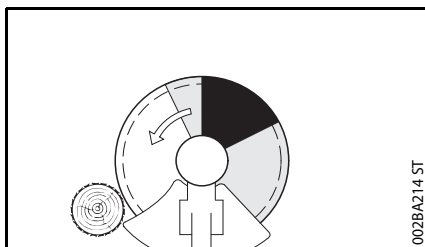
Las sierras circulares son adecuadas para recortar matorrales y cortar árboles pequeños de hasta 4 cm (1-1/2 pulg) de diámetro. No intente cortar árboles cuyo diámetro sea mayor, puesto que la cuchilla puede atorarse o tirar de la orilladora / cortadora de matorrales repentinamente hacia adelante. Esto puede dañar la cuchilla o causar la pérdida de control de la herramienta motorizada, lo cual puede resultar en lesiones personales graves. Utilice una motosierra para estos tipos de trabajos.

### ! ADVERTENCIA

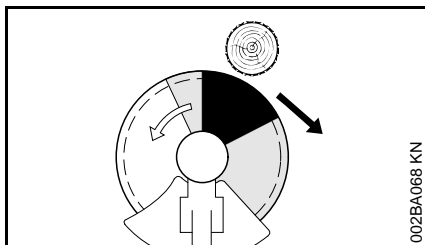
Para reducir el riesgo de rayar y / o romper la cuchilla, evite todo contacto con piedras, rocas o el suelo. Afile las cuchillas oportunamente de la manera especificada – los dientes desafilados pueden hacer que la cuchilla se agriete o se rompa.

Si se usa la orilladora / cortadora de matorrales con una sierra circular para cortar árboles pequeños, STIHL recomienda retirar el deflector estándar y sustituirlo con el deflector de tope especial (vea el capítulo "Montaje del deflector"). Este tope ayuda a mantener la máquina en su posición contra el árbol durante el proceso de corte. Los usuarios con poca experiencia deben

colocar el lado izquierdo del tope contra el tronco del árbol antes de iniciar el corte. Esto mantiene la orilladora / cortadora de matorrales contra el árbol durante la operación de corte y reduce el riesgo de pérdida de control y posible expulsión (descrito más arriba y brevemente otra vez más abajo).



Antes de iniciar el corte, acelere el motor a su velocidad máxima. Efectúe el corte aplicando presión uniforme. STIHL recomienda aplicar la sierra circular por el lado derecho del árbol, usando la zona no sombreada de la cuchilla, tal como se muestra en la ilustración de arriba.



### **! ADVERTENCIA**

El riesgo de expulsión de la cuchilla es mayor cuando se corta en la zona sombreada oscura. Para reducir el riesgo de expulsión y las lesiones consecuentes, no utilice esta zona de la sierra circular para cortar árboles ni

arbustos. Las técnicas especiales que utilizan las zonas sombreadas más claras de la cuchilla para cortar arbustos y árboles sólo deben ser usadas por operadores expertos con capacitación especializada en cuanto al uso y control de la orilladora / cortadora de matorrales.

### **! ADVERTENCIA**

Para reducir el riesgo de la pérdida de control y de lesiones graves al operador o a terceros causadas por la expulsión de la cuchilla, utilice una sierra circular solamente en una orilladora / cortadora de matorrales equipada con un manillar tipo bicicleta, no un mango tórico.

Durante la tala de árboles pequeños, mantenga una distancia de por lo menos dos veces el largo del árbol con respecto a la persona más cercana.

### **! ADVERTENCIA**

Para reducir el riesgo de lesiones causadas por los objetos lanzados o por el contacto con la cuchilla o el cabezal, cerciórese de volver a instalar el deflector estándar cuando no está usando una sierra circular.

## **MANTENIMIENTO, REPARACIÓN Y ALMACENAMIENTO**

**Los trabajos de mantenimiento, reemplazo o reparación de los dispositivos y sistemas de control de emisiones de escape pueden ser realizados por cualquier taller o técnico de motores no diseñados para vehículos. Sin embargo, si usted está reclamando cobertura de garantía para**

**algún componente que no ha sido reparado o mantenido debidamente, o cuando se utilizan repuestos no autorizados, STIHL puede denegar la garantía.**

### **! ADVERTENCIA**

Utilice solamente las piezas de repuesto idénticas de STIHL para el mantenimiento y la reparación. El uso de piezas no fabricadas por STIHL puede causar lesiones graves o mortales.

Siga precisamente las instrucciones de mantenimiento y reparación dadas en las secciones correspondientes del manual de instrucciones.

### **! ADVERTENCIA**

Siempre apague el motor y verifique que el accesorio de corte está parado antes de llevar a cabo cualquier trabajo de mantenimiento, reparación o limpieza de la herramienta motorizada. No intente hacer ningún trabajo de mantenimiento o reparación que no esté descrito en su manual de instrucciones. Este tipo de trabajo debe ser realizado únicamente por el concesionario de servicio de STIHL.

Use guantes para manipular o reparar las cuchillas.

### **! ADVERTENCIA**

Use la bujía especificada y asegúrese de que ella y el cable de encendido están limpios y en buen estado. Siempre inserte el casquillo de la bujía bien apretado en el borne de la bujía del tamaño adecuado. (Nota: Si el borne tiene una tuerca adaptadora SAE



desmontable, tiene que ser firmemente instalada.) Una conexión suelta entre la bujía y el conector del cable de encendido en el casquillo puede crear un arco voltaico y encender los vapores del combustible y provocar un incendio.

### **ADVERTENCIA**

No pruebe nunca el sistema de encendido con el casquillo desconectado de la bujía, o sin tener instalada la bujía, ya que las chispas al descubierto pueden causar un incendio.

### **ADVERTENCIA**

Nunca maneje su herramienta motorizada si el silenciador está dañado, se ha perdido o si fue modificado. Un silenciador mal cuidado aumenta el riesgo de incendio y puede causar pérdida de audición. El silenciador está equipado con un chispero para reducir el riesgo de incendio; no maneje nunca su herramienta motorizada si le falta el chispero o está dañado. Recuerde que el riesgo de incendios de matorrales o forestales es mayor durante las estaciones calurosas y secas.

En California, es una violación de los acápites § 4442 o § 4443 del Código de Recursos Públicos el uso de herramientas con motor de gasolina en tierras cubiertas por bosques, arbustos o pasto a menos que el sistema de escape del motor cuente con un parachispas que satisfaga los requisitos legales y que reciba el mantenimiento adecuado para estar en buenas condiciones de funcionamiento. El propietario/operador de este producto es responsable del mantenimiento

adecuado del chispero. Otras entidades/agencias estatales o gubernamentales, tales como el Servicio Forestal de los EE.UU., pueden tener requisitos similares. Comuníquese con el cuerpo de bomberos de su localidad o con el servicio forestal para informarse en cuanto a las leyes y reglamentos relacionados con los requisitos de protección contra incendios.

### **ADVERTENCIA**

Nunca repare los accesorios de corte dañados aplicándoles soldadura, enderezándolos o modificándoles su forma. Esto puede causar el desprendimiento de alguna pieza del accesorio de corte y producir lesiones graves o mortales.

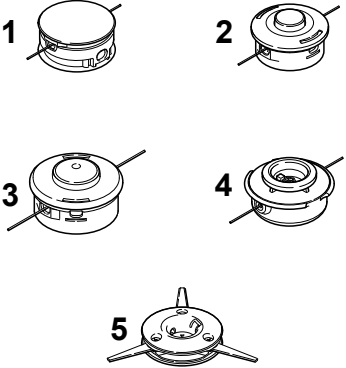
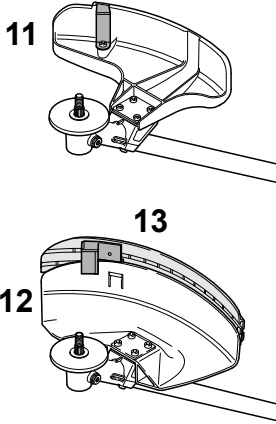
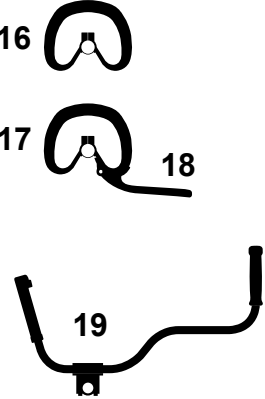
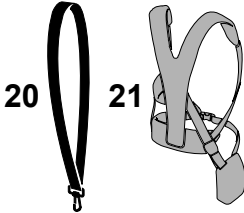
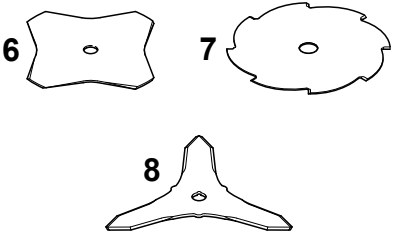
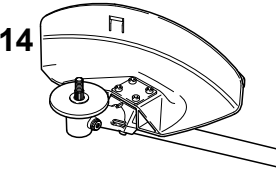
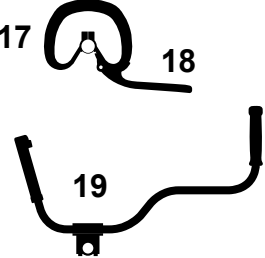
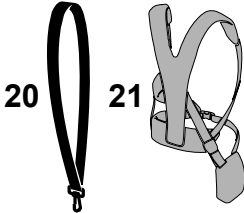

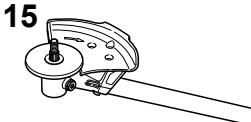
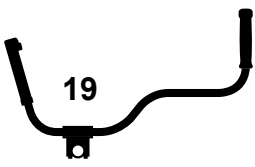

Mantenga las cuchillas afiladas. Apriete todas las tuercas, pernos y tornillos, excepto los tornillos de ajuste del carburador, después de cada uso.

No limpie la máquina con una lavadora a presión. El chorro fuerte de agua puede dañar las piezas de la máquina.

Guarde la herramienta motorizada en un lugar seco y elevado o con llave lejos del alcance de los niños.

Antes de guardar la máquina durante un período de más de algunos días, siempre vacíe el tanque de combustible. Consulte el capítulo "Almacenamiento de la máquina" en el manual de instrucciones.

## Combinaciones aprobadas de accesorio de corte, deflector, mango y arnés

Accesorio de corte	Deflector	Mango	Arnés
 <p>1 2 3 4 5</p>	 <p>11 12 13</p>	 <p>16 17 18 19</p>	 <p>20 21</p>
 <p>6 7 8</p>	 <p>14</p>	 <p>17 18 19</p>	 <p>20 21</p>
 <p>9 10</p>	 <p>15</p>	 <p>19</p>	 <p>22</p>

661BA208 KN



## Combinaciones aprobadas

Seleccione la combinación correcta de la tabla según el accesorio de corte que se desee utilizar.

### **ADVERTENCIA**

Por razones de seguridad, solamente los accesorios de corte, los deflectores, los mangos y arneses indicados en cada hilera de la tabla pueden ser utilizados juntos. No está permitida ninguna otra combinación debido al **riesgo de que ocurran accidentes**.

## Accesorios de corte

### **Cabezas segadoras**

- 1 STIHL SuperCut 20-2
- 2 STIHL AutoCut 25-2
- 3 STIHL AutoCut 30-2
- 4 STIHL TrimCut 31-2
- 5 STIHL PolyCut 20-3

### **Accesorios de corte metálicos**

- 6 Cuchilla para pasto 230-4
- 7 Cuchilla para pasto 230-8
- 8 Cuchilla para matorrales 250-3
- 9 Sierra circular con dientes raspadores 200
- 10 Sierra circular con dientes tipo cincel 200

### **ADVERTENCIA**

Las cuchillas para cortar pasto no metálicas, las cuchillas para matorrales y las sierras circulares no son aprobadas.

## Deflectores

- 11 Deflector **sólo** para cabezas segadoras
- 12 Deflector **con**
- 13 Faldilla y cuchilla para todas las cabezas segadoras (vea "Montaje del deflector")
- 14 Deflector **sin** faldilla y cuchilla para todas las cabezas segadoras
- 15 Tope limitador para sierras circulares

## Mangos

- 16 Mango tórico
- 17 Mango tórico **con**
- 18 Barra de defensa
- 19 Manillar tipo bicicleta

## Arneses

- 20 Es obligatorio usar la correa para el hombro
- 21 Se puede usar el arnés completo
- 22 Es obligatorio usar el arnés completo

### **ADVERTENCIA**

Basado en el accesorio de corte en uso:

Seleccione un deflector adecuado para reducir el riesgo de lesiones causadas por los objetos lanzados y por el contacto con el accesorio de corte.

Para reducir el riesgo de sufrir lesiones debido a la pérdida de control y al contacto con el accesorio de corte,

asegúrese que su máquina está equipada con el mango y arnés correctos.

Utilice cuchillas metálicas para pasto y cuchillas para matorrales solamente si la máquina está equipada con un manillar tipo bicicleta o un mango tórico con una barra de defensa.

Utilice sierras circulares solamente si la máquina está equipada con un manillar tipo bicicleta.

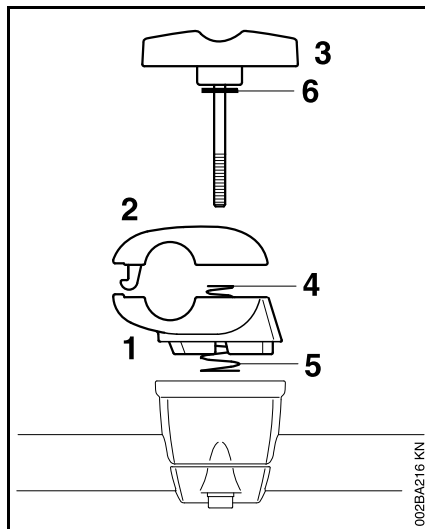
No utilice cuchillas de plástico rígidas con esta máquina.

## Montaje del manillar

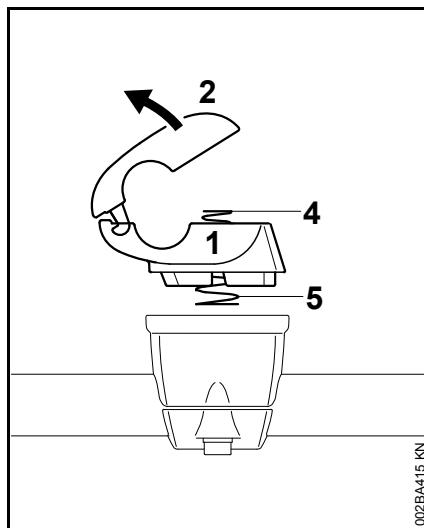
### Conexión del manillar tipo bicicleta con soporte giratorio para manillar

La máquina viene con el soporte giratorio para manillar instalado en el eje. Es necesario quitar las abrazaderas para poder conectar el manillar.

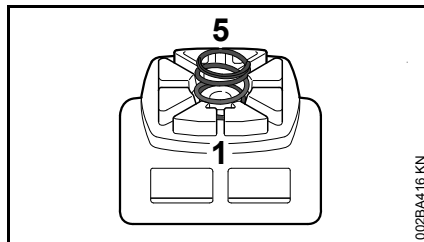
#### Retiro de las abrazaderas



- Agarre las abrazaderas inferior (1) y superior (2)
- Destornille el tornillo con barra transversal (3) – al destornillar el tornillo se dejan las piezas sueltas y los dos resortes (4, 5) separan las mismas.
- Saque el tornillo con barra transversal – la arandela (6) permanece con el tornillo.



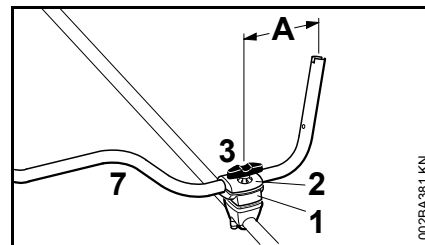
- Sujete la abrazadera inferior (1) y retire la abrazadera superior (2) – al hacerlo, separe las piezas de manera que los resortes (4, 5) conserven su posición en la abrazadera inferior.



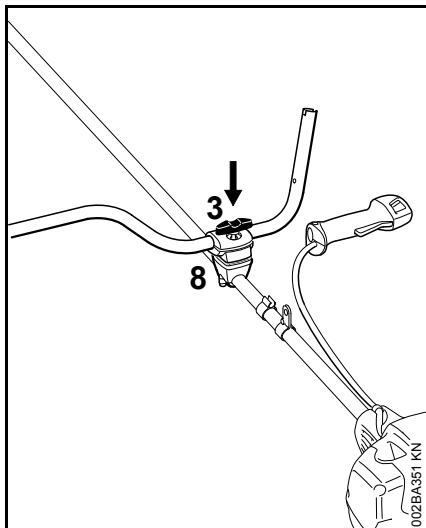
Si el resorte (5) se sale de la abrazadera inferior (1):

- Vuelva a colocar y/o presione el resorte en la ranura de la abrazadera, de la manera ilustrada.

#### Sujeción del manillar

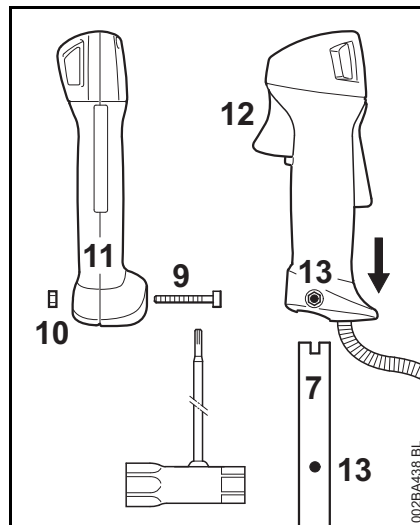


- Posicione el manillar (7) en la abrazadera inferior (1) de modo que la distancia (A) no exceda de 15 cm (6 pulg)
- Coloque la abrazadera superior en la parte superior y mantenga juntas ambas abrazaderas
- Introduzca hasta fondo el tornillo con barra transversal (3) a través de las dos abrazaderas – mantenga todas las piezas juntas y sujételas



- Posicione el conjunto completo en el soporte del manillar (8) con el tornillo con barra transversal orientado hacia el motor
- Presione hasta fondo el tornillo con barra transversal (3) en el soporte del manillar y luego atorníllelo – no lo apriete aún.
- Alinee el manillar en forma perpendicular con respecto al eje – revise la distancia (A)
- Apriete el tornillo con barra transversal

### Fijación del mango de control

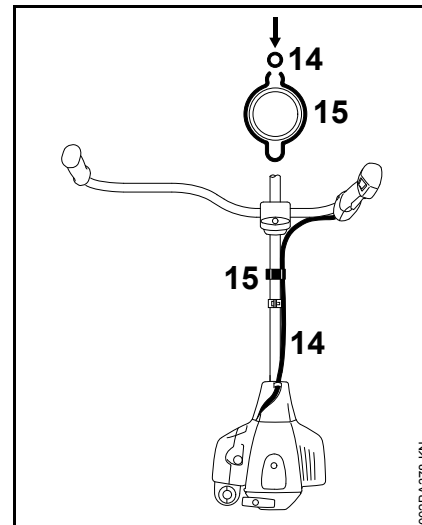


- Destornille el perno (9) – retire la tuerca (10) del mango de control (11)
- Empuje el mango de control, con el gatillo de aceleración (12) hacia la caja de engranajes, en el extremo del manillar (7) hasta que los orificios (13) queden alineados
- Inserte la tuerca (10) en el mango de control (11), inserte el perno (9) en el mango de control y gire y apriete el perno.

### Conexión del cable del acelerador

#### INDICACIÓN

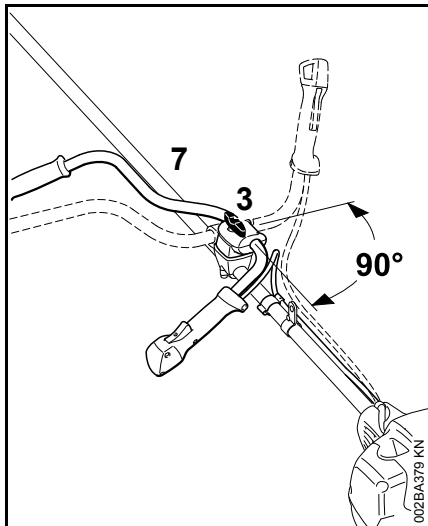
No tuerza el cable del acelerador y no lo deje con curvas de radio agudo – ¡el gatillo de aceleración debe moverse libremente!



- Presione el cable del acelerador (14), de ser necesario, en el soporte (15)

## Giro del manillar

### En la posición de transporte

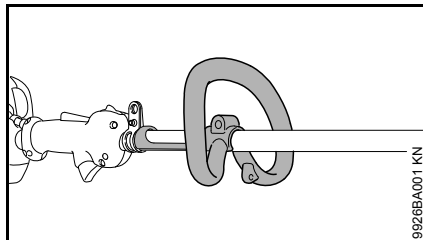


- Afloje el tornillo con barra transversal (3) y destorníllelo hasta que se pueda girar el manillar (7) en sentido horario
- Gire el manillar 90° y gírelo hacia abajo
- Apriete el tornillo con barra transversal (3)

### En la posición de trabajo

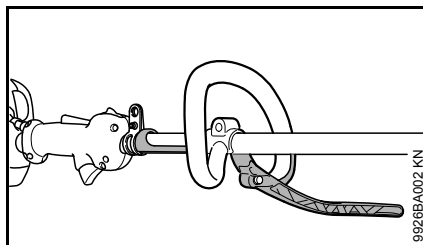
- Invierta los pasos de arriba para girar el manillar en sentido contrario

## Montaje del mango tórico



Las máquinas nuevas se despachan de la fábrica con el mango tórico ya instalado.

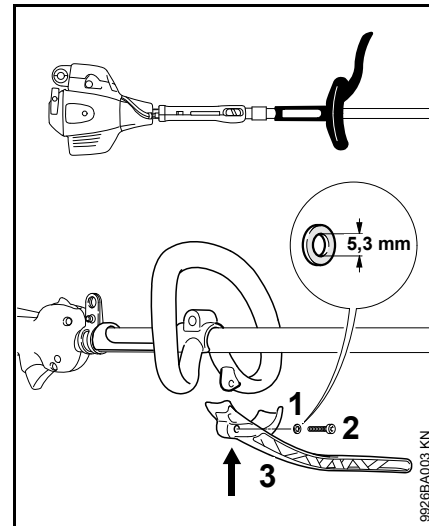
### Uso de la barra de defensa



Puede ser necesario instalar una barra de defensa en el mango tórico adaptada al mercado y al accesorio de corte que se va a usar – vea "Combinaciones aprobadas accesorio de corte, deflector, mango y arnés".

La barra de defensa se suministra como equipo estándar o puede ser disponible como un accesorio especial.

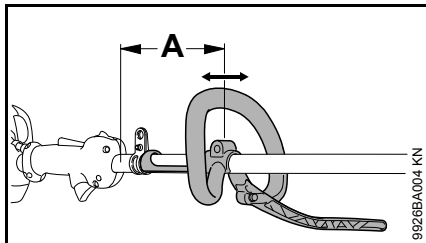
## Montaje de la barra de defensa



- Coloque la arandela (1) con diámetro interior de 5,3 mm (0,21 pulg) en el tornillo M5x23 (2).
- Mantenga la barra de defensa (3) contra el mango tórico e inserte el tornillo con la arandela.
- Apriete el tornillo (2) firmemente.

**Deje la barra de defensa permanentemente instalada en el mango tórico.**

## Ajuste y fijación del mango tórico



El mango tórico puede ajustarse de acuerdo con la talla y el alcance del operador y el uso, por medio de variar la distancia (A).

Recomendación: la distancia (A) debe medir aproximadamente 35 cm (14 pulg)

- Afloje el tornillo en el mango.
- Deslice el mango a la posición requerida.
- Apriete el tornillo hasta que no sea posible girar el mango en el tubo de mando.

## Ajuste del cable del acelerador

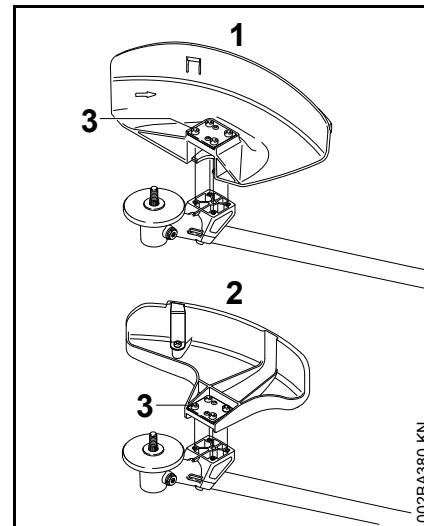
Para que la máquina funcione correctamente en cualquier modalidad, desde el arranque hasta la máxima aceleración, es fundamental que el cable del acelerador esté bien ajustado.

Es posible que se deba volver a ajustar el cable del acelerador después de armar la máquina o de un período de uso prolongado.

- El propio usuario puede revisar y ajustar el cable del acelerador: consulte "Inspección y mantenimiento por el usuario".
- La revisión y el ajuste del cable del acelerador también pueden ser efectuados por el concesionario. Pida a su concesionario de servicio que repare la máquina. STIHL recomienda acudir a un concesionario STIHL para servicio.

## Montaje de la barra de defensa

### Montaje del deflector

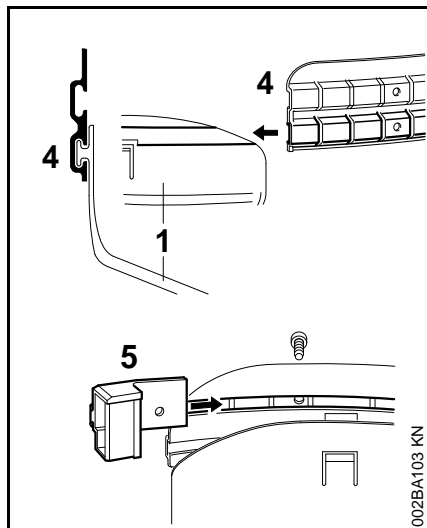


- 1 Deflector para herramientas segadoras
- 2 Deflector para cabezas segadoras

Los deflectores (1) y (2) se instalan en la caja de engranajes de la misma manera.

- Coloque el deflector en la brida de la caja de engranajes.
- Inserte los tornillos (3) y apriételos bien firmes.

## Instalación de la faldilla y cuchilla

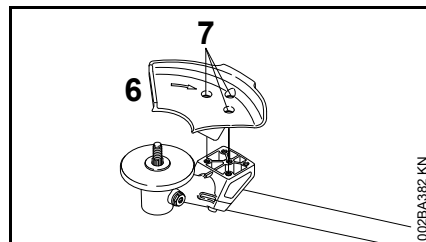


### ! ADVERTENCIA

Estas piezas deben instalarse en el deflector (1) cuando se utiliza una cabeza segadora.

- Deslice la ranura guía inferior de la faldilla (4) en el deflector (1) – debe encajar a presión en su lugar.
- Empuje la cuchilla (5) dentro de la ranura guía superior en la faldilla y alinéela con el primer orificio.
- Inserte el tornillo y apriételo bien firme.

## Montaje del tope limitador



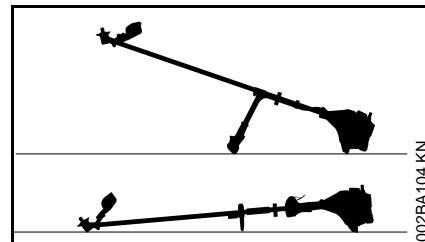
### ! ADVERTENCIA

Siempre instale el tope limitador (6) cuando se usa una sierra circular.

- Coloque el tope limitador (6) en la brida de la caja de engranajes.
- Inserte los tornillos (7) y apriételos bien firmes.

## Montaje del accesorio de corte

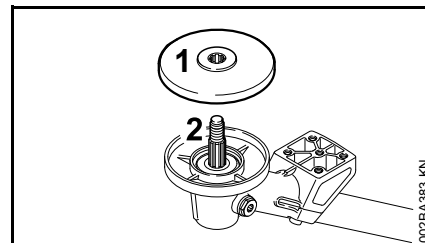
### Preparaciones



- Apoye la cortadora de matorrales sobre su parte trasera con la superficie de montaje para el accesorio de corte esté hacia arriba.

### Instalación de la placa de empuje

La máquina viene con la placa de empuje como equipo estándar.



- Deslice la placa de empuje (1) sobre el eje (2).

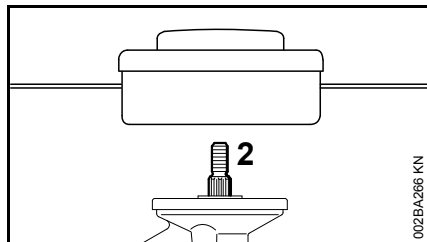
### INDICACIÓN

Se requiere la placa de empuje (1) en la caja de engranajes para poder instalar los accesorios de corte.

## Tornillería de montaje para accesorios de corte

La tornillería de montaje suministrada depende del accesorio de corte incluido como equipo original con la nueva máquina.

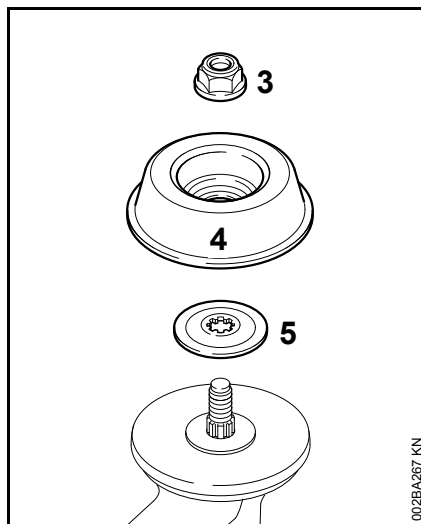
### **La tornillería de montaje no se embala con la máquina**



Sólo se pueden usar las cabezas segadoras que se instalan directamente en el eje (2).

### **La tornillería de montaje se embala con la máquina**

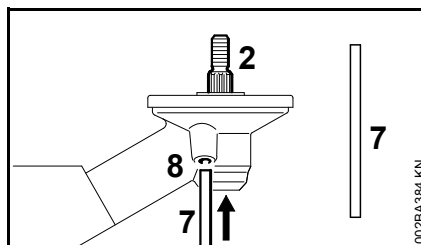
Se pueden montar cabezas segadoras y accesorios de corte metálicos.



Según el accesorio de corte, podría ser necesario emplear la tuerca (3), la placa de refuerzo (4) y la arandela de empuje (5).

Estas piezas se incluyen en un kit suministrado con la máquina y también están disponibles como accesorios especiales.

### Bloqueo del eje impulsor



Para instalar o quitar los accesorios de corte, es necesario bloquear el eje de salida (2) con el pasador de tope (7). El

pasador de tope se incluye con la máquina y está disponible como accesorio especial.

- Inserte el pasador de tope (7) en la cavidad (8) del mecanismo hasta donde tope, aplicando una ligera presión.
- Gire la tuerca o la herramienta de corte en el eje hasta que el pasador de tope se deslice en su lugar y bloquee el eje.

### Montaje del accesorio de corte

#### **! ADVERTENCIA**

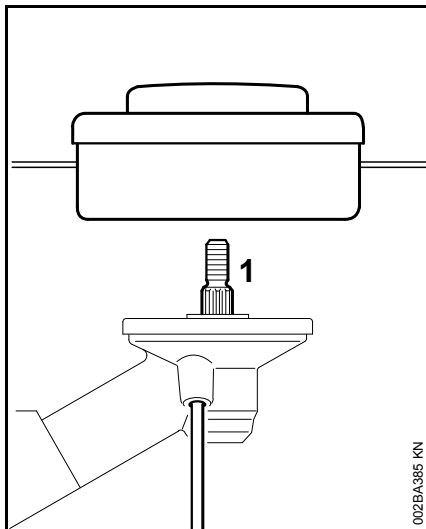
Utilice el deflector apropiado para la máquina – vea "Montaje del deflector".

- Pase a "Montaje de la cabeza segadora" o "Montaje del accesorio de corte metálico".

### Montaje de la cabeza segadora

Guarde la hoja de instrucciones de la cabeza segadora en un lugar seguro.

STIHL SuperCut 20-2  
STIHL AutoCut 25-2  
STIHL AutoCut 30-2  
STIHL TrimCut 31-2  
STIHL PolyCut 20-3



- Atornille la cabeza segadora en sentido contrahorario en el eje (1) hasta que tope.
- Bloquee el eje.
- Apriete la cabeza segadora bien firme.

#### INDICACIÓN

Quite el pasador de tope usado para bloquear el eje.

#### Retiro de la cabeza segadora

STIHL SuperCut 20-2  
STIHL AutoCut 25-2  
STIHL AutoCut 30-2  
STIHL TrimCut 31-2  
STIHL PolyCut 20-3

- Bloquee el eje.
- Destornille la cabeza segadora en sentido horario.

#### INDICACIÓN

Quite el pasador de tope usado para bloquear el eje.

#### Ajuste del hilo de nilón

La hoja de instrucciones suministrada con la cabeza segadora tiene una descripción detallada.

#### STIHL SuperCut

Un pedazo de hilo nuevo avanza automáticamente si el hilo todavía tiene una longitud mínima de **6 cm (2,4 pulg)**. La cuchilla en el deflector corta el hilo sobrante a la longitud correcta.

#### STIHL AutoCut

- Sujete la cabeza segadora sobre el suelo mientras está girando, golpéela contra el suelo una vez, y avanzarán aproximadamente 3 cm (1,2 pulg) de hilo nuevo.

La cuchilla en el deflector corta el hilo sobrante al largo correcto. Evite golpear la cabeza más de una vez.

El avance del hilo funciona solamente si **los dos** hilos todavía tienen una longitud mínima de **2,5 cm (1 pulg)**.

#### Cabeza segadora TrimCut

#### **!** ADVERTENCIA

**Para reducir el riesgo de sufrir lesiones,** siempre apague el motor antes de ajustar el hilo con la mano.

- Tire del carrete hacia arriba – gírelo aproximadamente 1/6 de vuelta en sentido contrahorario hasta que se encaje – y deje que vuelva solo.
- Tire de las puntas de los hilos hacia afuera.

Repita el procedimiento anterior según sea necesario, hasta que ambos hilos tengan un largo de aproximadamente 10 cm (4 pulg).

Cuando se gira el carrete de un tope al otro, se hace avanzar aproximadamente 4 cm (1,6 pulg) de hilo.

#### Cabeza segadora PolyCut

#### **!** ADVERTENCIA

**Para reducir el riesgo de sufrir lesiones,** siempre apague el motor antes de instalar cuchillas nuevas.

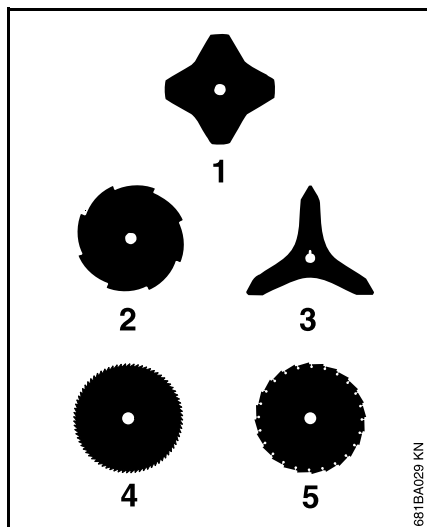
Consulte las instrucciones que se suministran con la cabeza segadora.



## Montaje de accesorios de corte metálicos

### ! ADVERTENCIA

Use guantes protectores para reducir el riesgo de contacto directo con los filos.



La faldilla y cuchilla limitadora del hilo no son necesarias para el deflector y las cuchillas para pasto 230-4 (1) y 230-8 (2) ni la cuchilla para matorrales (3) – ver "Montaje del deflector".

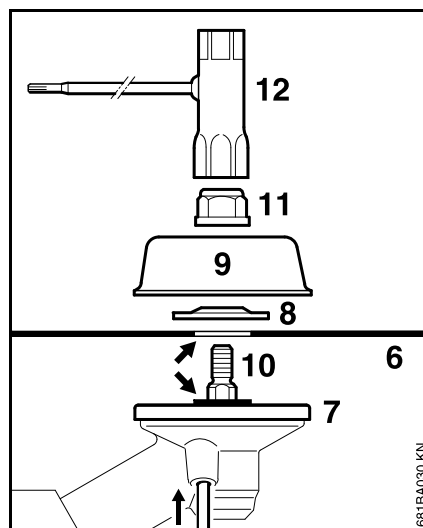
### ! ADVERTENCIA

Instale el **tope limitador** para discos de sierra 200 (4, 5) – vea "Montaje del deflector".

Coloque la cortadora de matorrales sobre su dorso con la superficie de montaje del accesorio de corte orientada hacia arriba: Los bordes

cortantes de (1) y (3) pueden quedar orientados hacia cualquiera de las dos direcciones. Los bordes cortantes de (2), (4) y (5) deben quedar orientados en sentido horario.

El sentido de rotación lo indica una flecha en el lado interior del accesorio de corte o del tope limitador.



- Coloque el accesorio de corte (6) sobre la placa de empuje (7).

### ! ADVERTENCIA

El collar (vea la flecha) debe encajar en el agujero de montaje del accesorio de corte.

- Instale la arandela de empuje (8) y la placa de refuerzo (9) en el eje (10).
- Bloquee el eje.
- Utilice la llave combinada (12) para atornillar la tuerca de montaje (11) en sentido contrahorario en el eje de salida y apriétela firmemente.

## INDICACIÓN

Quite la herramienta usada para bloquear el eje.

## Retiro del accesorio de corte metálico

### ! ADVERTENCIA

Use guantes protectores para reducir el riesgo de contacto directo con los filos.

- Bloquee el eje.
- Destornille la tuerca de montaje en sentido horario.
- Quite las piezas del eje – **no retire** la placa de empuje (7).

### ! ADVERTENCIA

Si la tuerca de montaje está demasiado floja, instale una nueva.

## Combustible

Este motor está certificado para funcionar con una mezcla de 50 a 1 de gasolina sin plomo y aceite STIHL para motores de dos tiempos.

Su motor requiere una mezcla de gasolina de alta calidad y aceite para motores de dos tiempos enfriados por aire.

Utilice gasolina sin plomo regular con un índice de octanaje mínimo de 89 [(R+M)/2] y un contenido de etanol no mayor que 10%.

El combustible de octanaje bajo puede aumentar la temperatura de funcionamiento del motor. Esto, a su vez, aumenta el riesgo de que se agarrote el pistón y se dañe el motor.

La composición química del combustible también es importante. Algunos aditivos de combustible no solamente tienen efectos perjudiciales en los elastómeros (diafragmas de carburador, sellos de aceite, tuberías de combustible, etc.), sino también en las piezas fundidas de magnesio y en los convertidores catalíticos. Esto podría causar problemas de funcionamiento e incluso daño del motor. Por esta razón, STIHL recomienda el uso exclusivo de gasolina sin plomo reconocida de buena calidad.

La gasolina con un contenido de etanol mayor que el 10% puede causar problemas de funcionamiento y averías graves en motores con carburadores manualmente ajustables, por lo cual no debe utilizarse en este tipo de motores.

El contenido de etanol en la gasolina afecta el régimen de marcha del motor – podría resultar necesario reajustar el carburador si se utilizan combustibles con diversos niveles de contenido de etanol.



### ADVERTENCIA

Para reducir el riesgo de lesiones personales debido a la pérdida de control y/o al contacto con la herramienta de corte en movimiento, no use una máquina cuyo régimen de marcha en vacío está mal regulado. Cuando el régimen de marcha en vacío está correctamente regulado, la herramienta de corte no debe moverse.

Si su herramienta motorizada indica que el régimen de marcha en vacío está mal regulado, pida a su representante de STIHL que revise la herramienta motorizada y haga los ajustes o reparaciones correspondientes.

El régimen de marcha en vacío y la velocidad máxima del motor varían si se cambia el combustible por otro con un contenido mayor o menor de etanol.

Para evitar este problema, siempre se debe utilizar combustible con un mismo contenido de etanol.

Use solamente el aceite STIHL para motores de dos tiempos o un aceite de marca equivalente para motores de dos tiempos diseñado para usar exclusivamente con los motores de dos tiempos enfriados por aire.

Se recomienda usar aceite STIHL HP Ultra para motores de 2 tiempos, puesto que este ha sido formulado especialmente para uso en motores STIHL.

No use aceites para mezclar con designaciones BIA o TCW (para motores de dos tiempos enfriados por agua) ni otros aceites para mezclar diseñados para usar en motores enfriados por agua o por aire (por ejemplo, en motores marinos fuera de borda, motonieves, sierras de cadenas, bicimotos, etc.).



### ADVERTENCIA

Manipule la gasolina con sumo cuidado. Evite el contacto directo con la piel y evite inhalar los vapores de combustible. Cuando se reabastece de combustible, quite primero el envase del vehículo y colóquelo en el suelo antes de llenarlo. Para reducir el riesgo de la formación de chispas causadas por la descarga de electricidad estática y un posible incendio y/o explosión, no llene los envases de combustible cuando están colocados dentro de un vehículo o remolque.

Mantenga el envase bien cerrado para limitar la cantidad de humedad que penetre en la mezcla.

Limpie el tanque de combustible de la máquina según sea necesario.

### Duración de la mezcla de combustible

Mezcle una cantidad suficiente de combustible para trabajar unos pocos días, no lo guarde por más de 3 meses. Guárdelo únicamente en envases aprobados para combustible. Para el proceso de mezclado, vierta el aceite en el envase primero y luego agregue la gasolina. Cierre el envase y agítelo

vigorosamente a mano para asegurar que se mezclen bien el aceite y la gasolina.

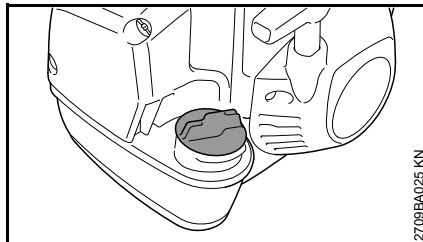
Gasolina gal EE. UU.	Aceite (STIHL 50:1 o aceite de alta calidad equivalente) oz fl EE. UU.
1	2,6
2 1/2	6,4
5	12,8

Deseche los envases vacíos usados para mezclar el aceite únicamente en vertederos autorizados para ello.

## Llenado de combustible



### Preparaciones



### **!** ADVERTENCIA

Cuando se abastece el combustible a la máquina cuando está sobre una pendiente, coloque la máquina de modo que la tapa de llenado quede cuesta arriba.

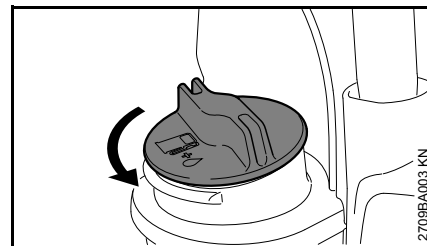
- Sobre suelo nivelado, coloque la máquina de modo que la tapa de llenado quede orientada hacia arriba.
- Antes de llenar la máquina con combustible, limpie a fondo la tapa de llenado y la zona alrededor del mismo para evitar la entrada de tierra al tanque.

Siempre agite bien la mezcla en el recipiente antes de llenar la máquina con combustible.

### **!** ADVERTENCIA

Para reducir el riesgo de quemaduras, así como de incendios y de lesiones corporales ocasionadas por los escapes de vapor de gasolina y otras emanaciones, quite la tapa de llenado de combustible cuidadosamente de modo que la presión que se pueda haber acumulado en el tanque se disipe lentamente.

### Apertura de la tapa roscada

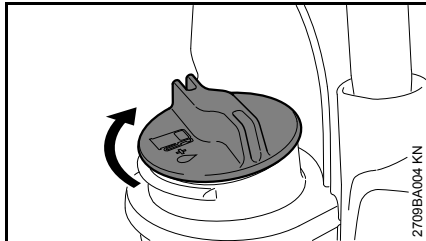


- Gire la tapa en sentido contrahorario hasta quitarla de la boca de llenado del tanque.
- Quite la tapa de llenado.

### Carga de combustible

Tenga cuidado de no derramar el combustible y no llene en exceso el tanque.

## Cierre de la tapa roscada



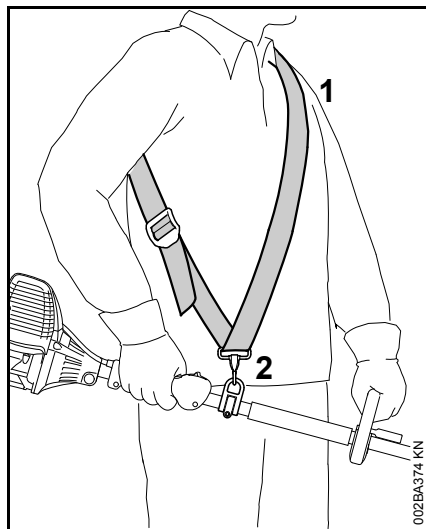
- Coloque la tapa en posición.
- Gire la tapa en sentido horario hasta que tope y apriétela hasta donde sea posible con la mano.

## Uso de la correa para hombro

El tipo y el estilo del arnés dependen del lugar de venta.

El uso de la correa para el hombro se describe en el capítulo "Combinaciones aprobadas de accesorio de corte, deflector, mango y arnés".

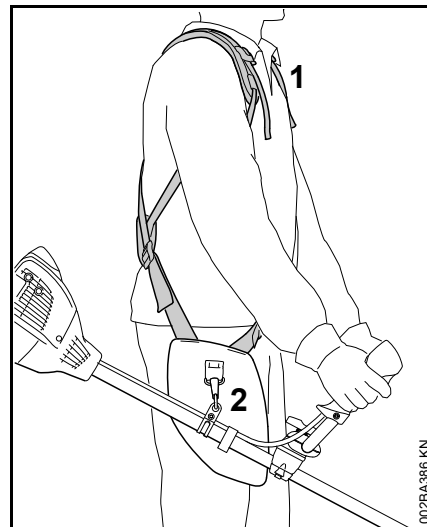
### Correa para hombro



- Colóquese la correa para hombro (1).
- Ajuste el largo de la correa de modo que el mosquetón (2) quede aproximadamente el ancho de la mano por debajo de su cadera derecha.
- Equilibre la cortadora de matorrales.

## Arnés completo

La instalación del arnés completo se describe en forma detallada en la hoja de instrucciones suministrada.

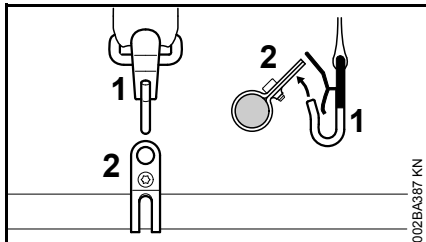


- Póngase el arnés completo (1).
- Ajuste el largo de la correa de modo que el mosquetón (2) quede aproximadamente el ancho de la mano por debajo de su cadera derecha.
- Equilibre la cortadora de matorrales.

## Equilibrio de la unidad

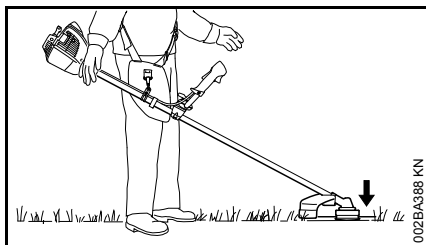
El tipo y el estilo del arnés y mosquetón (gancho con resorte) dependen del lugar de venta.

### Fijación de la unidad al arnés

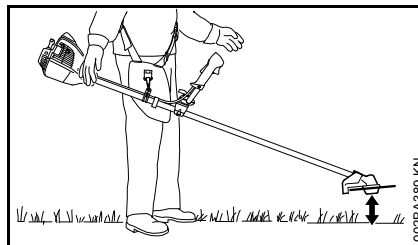


- Enganche el mosquetón (1) en la argolla para transporte (2) ubicada en el tubo de mando.

### Posiciones de flotación



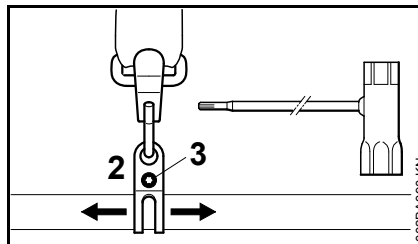
- Las cabezas de segado, la cuchillas para pasto y las cuchillas para matorrales apenas deben tocar el suelo.



- Las cuchillas circulares deben quedar "flotando" a unos 20 cm (8 pulg) sobre el suelo.

La posición flotante correcta se obtiene de la manera siguiente:

### Equilibre la unidad

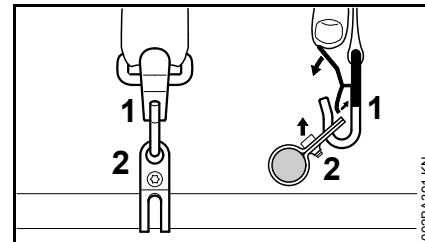


- Suelte el tornillo (3).
- Mueva la argolla de transporte (2) hacia arriba o abajo en el tubo de mando – apriete moderadamente el tornillo – suelte la unidad y espere hasta que la misma quede equilibrada – entonces revise la posición de flotación.

Cuando se alcanza el punto de flotación correcto:

- Apriete firmemente el tornillo en la argolla de transporte.

### Desconexión de la máquina del arnés



- Empuje la barra en el mosquetón (1) y extraiga la argolla de transporte (2) del mosquetón.

### Retiro rápido de la máquina en caso de emergencia

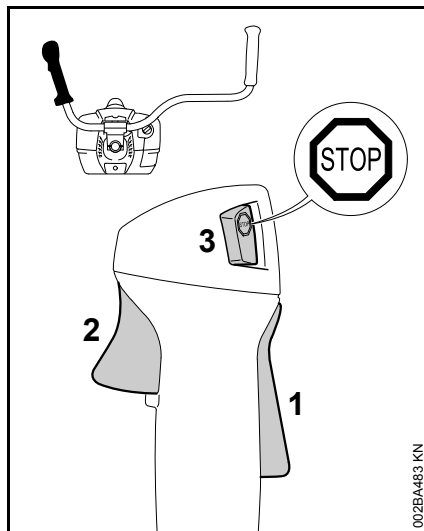
#### **!** ADVERTENCIA


Es necesario quitarse la máquina rápidamente en caso de un peligro inminente. Para lanzar la máquina, utilice el procedimiento dado en "Desconexión de la máquina del arnés". Practique quitarse la máquina y colocarla en el suelo de la manera en la cual lo haría en caso de emergencia. Para evitar dañar la máquina, no la lance al suelo cuando esté practicando.

## Arranque / parada del motor

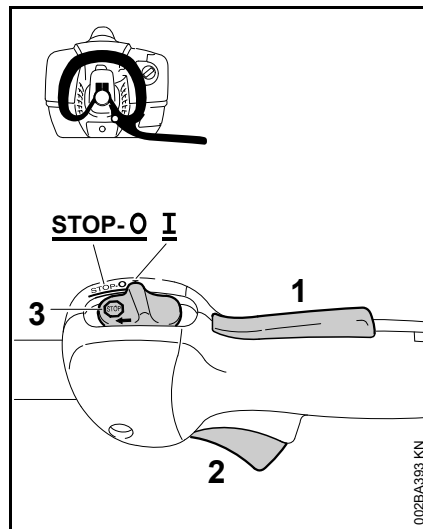
### Controles


#### Versión con manillar tipo bicicleta



- 1 Bloqueo de gatillo de aceleración
- 2 Gatillo de aceleración
- 3 Interruptor de parada con posiciones **Run (Marcha)** y **Stop (Parada)**. Oprima el interruptor de parada (  ) para desconectar el encendido – vea "Funcionamiento del interruptor de parada y sistema de encendido".

#### Versión con mango tórico

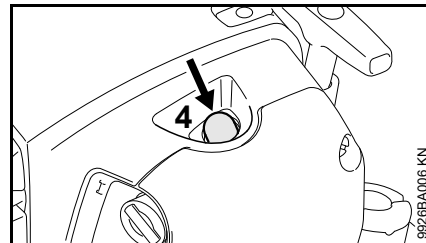


- 1 Bloqueo de gatillo de aceleración
- 2 Gatillo de aceleración
- 3 Interruptor de parada con posiciones **Run (Marcha)** y **STOP-0 (Parada)**. Es necesario mover el interruptor de parada de la posición **I** a la **STOP-0** (  ) para desconectar el encendido.

#### Funcionamiento del interruptor de parada y sistema de encendido

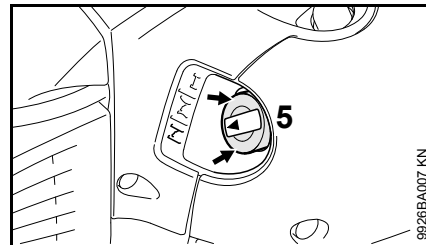
El interruptor de parada normalmente está en la posición de **Marcha**: – el encendido está conectado y el motor está listo para arrancar. Accione el interruptor de parada para apagar el encendido. El sistema de encendido se activa otra vez después de apagar el motor.

#### Arranque del motor



- Oprima el bulbo (4) de la bomba de combustible por lo menos cinco veces, aunque el bulbo esté lleno de combustible.

#### Motor frío (arranque en frío)

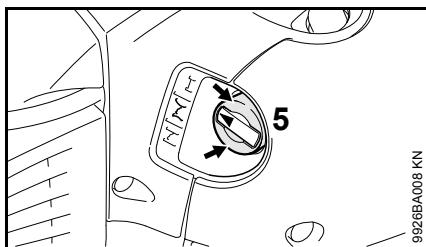



- Pulse hacia adentro el borde exterior (flechas) de la perilla del estrangulador (5) y gírela a **I**.

También utilice esta posición si el motor ha estado en marcha, pero todavía se encuentra frío.

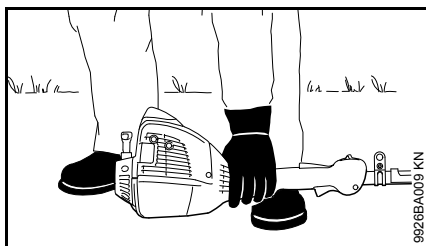
#### Motor caliente (arranque en caliente)

El motor ha alcanzado su temperatura de funcionamiento normal, luego se para y se vuelve a arrancar después de transcurridos más de 5 minutos.



- Pulse hacia adentro el borde exterior (flechas) de la perilla del estrangulador (5) y gírela a .

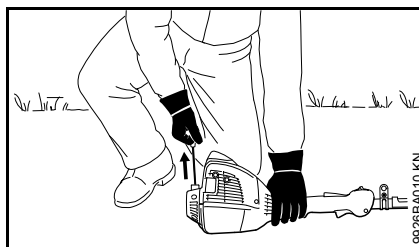
### Arranque



- Coloque la máquina sobre el suelo: Debe quedar firmemente apoyada en la placa protectora del motor y el deflector. Verifique que el accesorio de corte no esté tocando el suelo ni ningún otro obstáculo.
- Asegúrese de tener los pies bien apoyados – ya sea de estar a pie, agacharse o arrodillarse.
- Sujete la máquina **firmemente** en el suelo usando la mano izquierda y empuje hacia abajo. No toque el gatillo de aceleración ni el bloqueo del gatillo de aceleración.

### INDICACIÓN

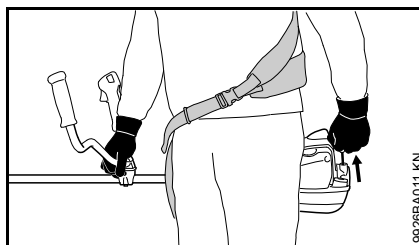
No se pare ni se arrodille sobre el tubo de mando.



- Sujete el mango de arranque con la mano derecha.

Método alternativo de arranque:

Motor tibio y máquina colgando del arnés.



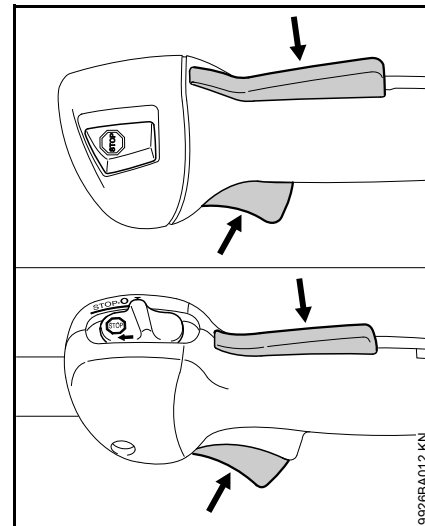
- Agarre la máquina firmemente con la mano derecha en el tubo de mando, el soporte del mango o el manillar.
- Con máquina detrás de su cuerpo, empujela contra el costado izquierdo de su cuerpo.
- Sujete el mango de arranque con la mano izquierda.
- Tire uniformemente del mango de arranque.

### INDICACIÓN

No tire de la cuerda de arranque totalmente hasta fuera, se podría romper.

- No deje que el mango de arranque salte bruscamente hacia atrás. Guíelo lentamente hacia el interior de la caja para que la cuerda de arranque se enrolle correctamente.
- Continúe haciendo girar el motor hasta que arranque.

### Tan pronto arranca



- Empuje el bloqueo del gatillo de aceleración hacia abajo y abra el acelerador – la palanca del estrangulador se mueve a la posición de marcha I. Después de un arranque en frío, caliente el motor accionando varias veces el acelerador.

### ADVERTENCIA

Asegúrese de que el carburador esté correctamente ajustado. El accesorio de corte no debe girar cuando el motor está funcionando a marcha en vacío.

La máquina ahora está lista para usarse.

### **Parada del motor**

---

- Accione el interruptor de parada – el motor se para – suelte el interruptor de parada – el mismo salta a la posición de marcha.


### **Sugerencias adicionales para el arranque**

---

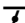
#### **A temperaturas ambiente muy bajas**

- Ajuste el motor para las operaciones de invierno, de ser necesario; vea "Manejo durante el invierno".
- Si la máquina está muy fría (escarcha o hielo en la máquina), arranque el motor y manténgalo a marcha en vacío alta (el accesorio de corte gira) hasta que alcance la temperatura normal de funcionamiento.

#### **El motor se cala en la posición de arranque en frío o durante la aceleración**

- Mueva la perilla del estrangulador a  y continúe haciendo girar el motor hasta que arranque.

#### **El motor no arranca en la posición de arranque en caliente**

- Mueva la perilla del estrangulador a  y continúe haciendo girar el motor hasta que arranque.

#### **Si el motor no arranca**

- Compruebe que todos los ajustes sean correctos.
- Verifique que haya combustible en el tanque y agregue combustible de ser necesario.
- Verifique que el casquillo de la bujía esté correctamente conectado.
- Repita el procedimiento de arranque.

#### **Se agotó completamente el combustible en el tanque**

- Después de llenar el tanque, oprima el bulbo de la bomba de combustible por lo menos cinco veces, aunque el bulbo esté lleno de combustible.
- Ajuste la palanca del estrangulador según la temperatura del motor.
- Arranque el motor.

## **Instrucciones para el uso**

### **Durante el período de rodaje**

Una máquina nueva de fábrica no debe hacerse funcionar a velocidad alta (aceleración máxima sin carga) por el lapso que tome llenar el tanque tres veces. Esto evita la imposición de cargas innecesariamente altas durante el período de rodaje. Ya que todas las piezas móviles deben asentarse durante el período de rodaje inicial, durante este tiempo la resistencia causada por fricción en el motor es más elevada. El motor desarrolla su potencia máxima después de haber llenado el tanque de 5 a 15 veces.

### **Durante el trabajo**

Después de un período largo de funcionamiento con el acelerador a fondo, deje funcionar el motor por un rato en ralentí de modo que el calor en el motor sea disipado por la corriente de aire de enfriamiento. Esto ayuda a evitar que los componentes montados en el motor (encendido, carburador) sufran sobrecargas térmicas.

### **Después de terminar el trabajo**

Almacenamiento por corto tiempo: Espere hasta que el motor se enfríe. Vacíe el tanque de combustible y guarde la máquina en un lugar seco, alejada de fuentes de encendido, hasta que la vuelva a utilizar. Para los



intervalos de almacenamiento por tiempo prolongado – vea "Almacenamiento de la máquina".

## Filtro de aire

### Información general


El filtro tiene una vida útil extremadamente prolongada.

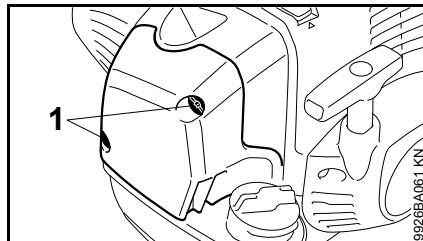
**No quite la cubierta del filtro a menos que se produzca una pérdida notable de potencia del motor.**

La suciedad en el filtro de aire reduce la potencia del motor, aumenta el consumo de combustible y dificulta el arranque del motor.

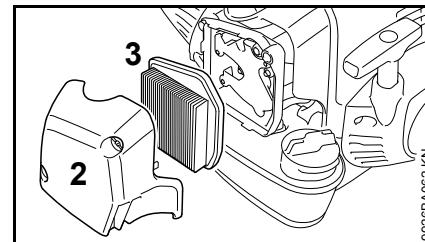
### Sustitución del filtro de aire

**Solamente si hay una pérdida notable de la potencia del motor**

- Ponga la palanca del estrangulador en .



- Afloje los tornillos (1).



- Quite la cubierta del filtro (2).
- Quite la tierra suelta de alrededor del filtro (3) y del interior de la cubierta de filtro.

El filtro de aire (3) consta de un elemento de papel con pliegues.

- Quite y revise el elemento de filtro (3) – sustitúyalo si está sucio o dañado.
- Desempaque el filtro nuevo

### INDICACIÓN

No doble ni pliegue el filtro antes de insertarlo, de lo contrario podría dañarse – no use filtros dañados.

- Instale el filtro en la caja de filtro.
- Coloque la cubierta del filtro.

Utilice únicamente filtros de aire de alta calidad para asegurar que el motor esté protegido contra el polvo abrasivo.

STIHL recomienda el uso exclusivo de filtros de aire originales de STIHL. La calidad elevada de estas piezas asegura un desempeño libre de problemas, una vida útil prolongada del motor y una vida útil sumamente prolongada de los filtros.

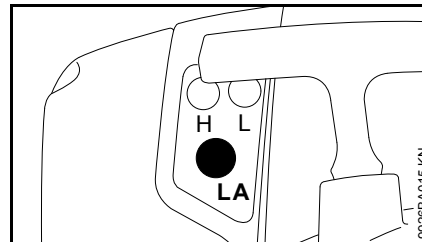
## Elemento de filtro para funcionamiento en invierno

El mantenimiento y cuidado del inserto especial del filtro para funcionamiento en invierno se describe en la sección "Funcionamiento en invierno".

## Gestión del motor

Las emisiones de gases de escape son controladas por el diseño de parámetros y componentes fundamentales del motor (por ej. carburación, encendido, regulación y regulación de las válvulas o la lumbreira) sin la adición de ningún equipo importante.

## Ajuste del carburador



El carburador se ajusta en fábrica para garantizar que la mezcla de combustible/aire sea óptima bajo la mayoría de las condiciones de trabajo.

## Ajuste de marcha en vacío

**El motor se para cuando funciona a ralentí**

- Gire el tornillo de ajuste de marcha en vacío (LA) lentamente en sentido horario hasta que el motor funcione de modo suave.

**La herramienta de corte gira cuando el motor funciona a ralentí**

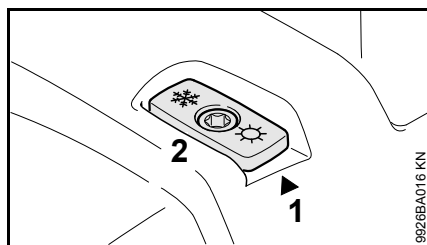
- Gire el tornillo de ralentí (LA) lentamente en sentido contrahorario hasta que el accesorio de corte deje de moverse.

## Manejo durante el invierno

### A temperaturas bajo +10°C (+50°F)

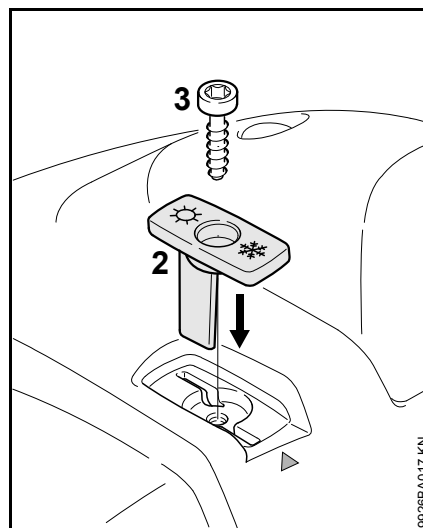
#### Pre calentamiento del carburador

Si se cambia la posición del obturador, la máquina aspira aire caliente de alrededor del cilindro y lo mezcla con el aire frío para evitar el congelamiento del carburador.



Una flecha (1) en la cubierta indica la posición del obturador (2) para el funcionamiento en verano o en invierno. Significado de los símbolos:

- "Sol" = funcionamiento de verano
- "Copo de nieve" = funcionamiento de invierno

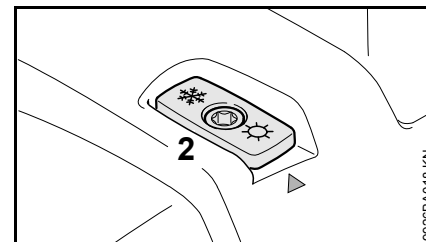


- Saque el tornillo (3) del obturador.
- Tire del obturador (2) para quitarlo de la cubierta.
- Gire el obturador (2) de la posición de verano a la de invierno y colóquelo en posición.
- Asegure el obturador en su posición con el tornillo (3).

### A temperaturas de entre +10°C (+50°F) y +20°C (+70°F)

Normalmente, la máquina puede funcionar en este intervalo de temperaturas con el obturador (2) en posición de verano. Cambie la posición del obturador según sea necesario.

### A temperaturas sobre +20°C (+70°F)



- Siempre vuelva a colocar el obturador (2) en la posición de verano.

#### INDICACIÓN

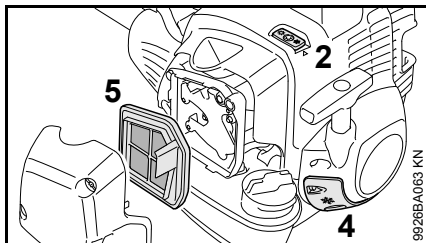
No ponga en marcha la máquina con el obturador en posición de invierno si la temperatura es superior a +20°C (+70°F) porque existe el riesgo de causar problemas de funcionamiento y el sobrecalentamiento del motor.

### A temperaturas bajo -10°C (+14°F)

- En condiciones extremas de invierno
- Temperaturas bajo -10°C (+14°F)
  - Nieve suelta o acumulada

Se recomienda emplear el "juego de cierre" opcional

Se ofrecen dos juegos de placas de cierre diferentes para acomodar las distintas tapas del tanque.



Los juegos de placa de cierre contienen las piezas siguientes para la conversión de la herramienta motorizada:

- 4 La placa de cierre cubre parcialmente los agujeros alargados de la caja del arrancador
- 5 Elemento de tela sintética para el filtro de aire
- Hoja de instrucciones que describe la conversión.

En máquinas con tapa de tanque con empuñadura articulada:

- Anillo "O" para la tapa de llenado del tanque

Después de haber instalado el juego de placa de cierre:

- Coloque el obturador (2) en la posición de invierno.

#### **A temperaturas mayores que -10 °C (+14 °F):**

- Retire las piezas del juego de placa de cierre y vuelva a instalar las piezas estándar de la máquina para usarla en verano.

En máquinas con tapa de tanque con empuñadura articulada: El anillo "O" suministrado con el juego de placa de cierre puede dejarse colocado en la tapa de llenado de la máquina.

Según la temperatura ambiente:

- Coloque el obturador (2) en la posición de verano o de invierno.

#### **Limpieza del filtro de aire**

- Suelte los tornillos de montaje de la cubierta del filtro.
- Quite la cubierta del filtro.
- Quite la tierra suelta de alrededor del filtro (5) y del interior de la cubierta de filtro.
- Golpee el filtro (5) en la palma de la mano o soplelo con aire comprimido de adentro hacia afuera.

En caso de suciedad difícil o tela de filtro pegajosa:

- Lave el filtro en una solución limpia y no inflamable (por ejemplo, agua jabonosa tibia) y séquelo.

Un filtro dañado siempre debe sustituirse.

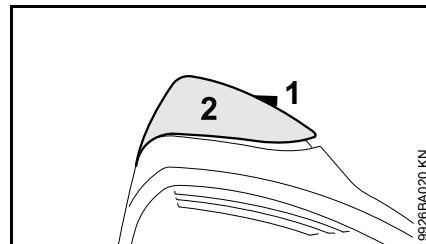
## **Bujía**

Si el motor pierde potencia, es difícil arrancarlo o funciona de modo irregular a ralentí, revise la bujía primero.

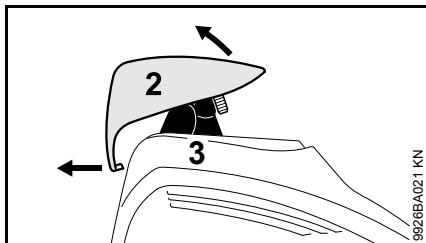
**Instale una bujía nueva después de aprox. 100 horas de funcionamiento,** o más temprano si los electrodos están muy gastados.

Si la mezcla del combustible es incorrecta (demasiado aceite en la gasolina), el filtro de aire está sucio, y las condiciones de trabajo no son favorables (especialmente a aceleraciones intermedias) se afecta la condición de la bujía. Estos factores permiten la formación de depósitos en la punta aislante, los cuales pueden perjudicar el rendimiento.

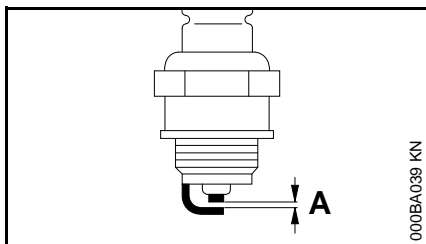
#### **Retiro de la bujía**



- Gire el tornillo (1) en la tapa (2) hasta que la cabeza del tornillo sobresalga de la tapa.



- Levante la parte delantera de la tapa (2) y empujela hacia atrás para desengancharla.
- Deje la tapa a un lado.
- Quite el casquillo de la bujía (3).
- Destornille la bujía.



Si la mezcla del combustible es incorrecta (demasiado aceite en la gasolina), el filtro de aire está sucio, y las condiciones de trabajo no son favorables (especialmente a aceleraciones intermedias) se afecta la condición de la bujía. Estos factores permiten la formación de depósitos en la punta aislante, los cuales pueden perjudicar el rendimiento.

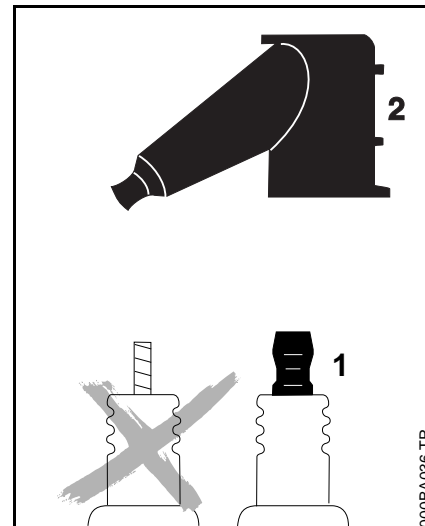
Si el motor pierde potencia, es difícil arrancarlo o funciona de modo irregular a marcha en vacío, revise la bujía primero.

- Saque la bujía – vea "Arranque/parada del motor".
- Limpie la bujía si está sucia.
- Revise la separación entre electrodos (A) y ajústela de ser necesario – vea "Especificaciones".
- Utilice únicamente bujías tipo resistencia cuyo margen de rendimiento sea el aprobado.

Corrija los problemas que hayan causado la contaminación de la bujía:

- Demasiado aceite en la mezcla de combustible.
- Filtro de aire sucio.
- Condiciones desfavorables de funcionamiento, por ejemplo, funcionando bajo carga parcial.

**Instale una bujía nueva después de aprox. 100 horas de funcionamiento,** o más temprano si los electrodos están muy gastados.

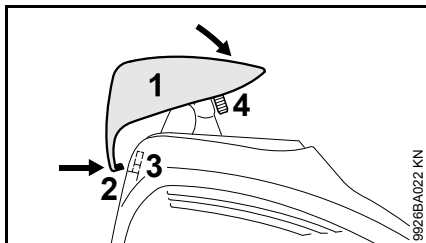


### **! ADVERTENCIA**

Para reducir el riesgo de incendio y de quemaduras, utilice solamente las bujías autorizadas por STIHL. Siempre empuje el casquillo (2) de la bujía firmemente en el borne (1) del tamaño adecuado. (Nota: Si el borne tiene una tuerca adaptadora SAE desmontable, tiene que ser instalada.) Una conexión suelta entre el casquillo de la bujía y el conector del cable de encendido en el casquillo puede crear un arco voltaico y encender los vapores del combustible, provocando un incendio.

### **Instalación de la bujía**

- Atornille la bujía en el cilindro.
- Presione el casquillo **firmemente** sobre la bujía



- Coloque la tapa (1) en la envuelta por la parte trasera y empuje la orejeta (2) dentro de la abertura (3) de la envuelta al mismo tiempo.
- Gire la tapa hacia delante sobre la envuelta, e inserte y apriete el tornillo (4) firmemente.

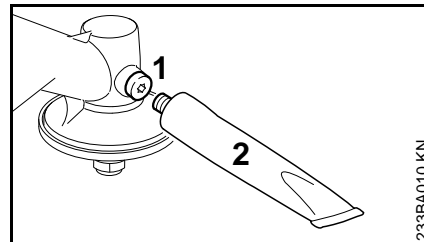
## Funcionamiento del motor

Si la marcha del motor sigue siendo insatisfactoria después de haberle dado mantenimiento al filtro y luego de haber ajustado correctamente el carburador y el cable del acelerador, la causa podría hallarse en el silenciador.

Solicite al concesionario de servicio que revise si hay contaminación (coquización) en el silenciador.

STIHL recomienda que solamente los concesionarios STIHL autorizados efectúen los trabajos de mantenimiento y reparación.

## Lubricación de la caja de engranajes



- Revise el nivel de grasa periódicamente – aproximadamente cada 25 horas de funcionamiento.
- Destornille el tapón de llenado (1). Si no se ve grasa en el interior del tapón de llenado, atornille el tubo (2) del lubricante para engranajes STIHL especial para cortadoras de matorrales (accesorio especial) en el agujero de llenado.
- Inyecte hasta 5 g (0,2 oz) de grasa en la caja de engranajes.

### INDICACIÓN

No llene completamente con grasa la caja de engranajes.

- Quite el tubo de grasa (2).
- Vuelva a colocar el tapón de llenado (1) y apriételo firmemente.

## Dispositivo de arranque

Para prolongar la vida útil de la cuerda de arranque, siempre observe los puntos siguientes:

- Tire de la cuerda de arranque solamente en el sentido especificado.
- No tire de la cuerda sobre el borde del buje guía.
- No tire de la cuerda más de lo especificado.
- No deje que el mango de arranque retroceda bruscamente, guíelo lentamente hacia el interior de la caja – vea el capítulo "Arranque/Parada del motor."

Pida que el concesionario de servicio sustituya la cuerda de arranque dañada oportunamente. STIHL recomienda que un concesionario STIHL autorizado efectúe los trabajos de mantenimiento y reparación.

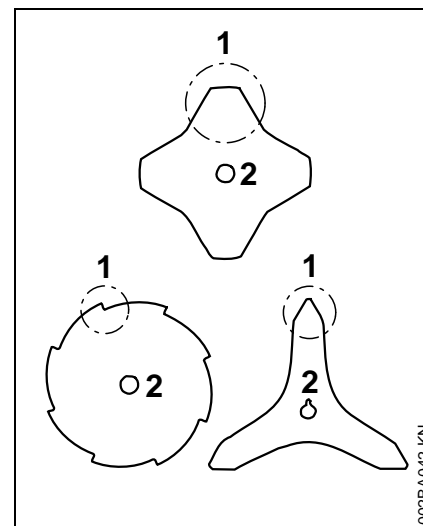
## Almacenamiento de la máquina

Para intervalos de 3 meses o más

- Vacíe y limpie el tanque de combustible en una zona bien ventilada.
- Deseche el combustible de acuerdo con los requerimientos locales de protección del medio ambiente.
- Haga funcionar el motor hasta que el carburador se seque. Esto ayuda a evitar que los diafragmas del carburador se peguen.
- Retire, limpie e inspeccione el accesorio de corte.
- Limpie a fondo la máquina.
- Guarde la máquina en un lugar seco y bajo llave, fuera del alcance de los niños y de otras personas no autorizadas.

## Afilado de los accesorios de corte

- Use una lima (accesorio especial) para afilar los accesorios de corte romos. En el caso de desgaste o mellas más serios: Vuelva a afilar con una rectificadora o pida que el trabajo se lo haga el concesionario – STIHL recomienda acudir a un concesionario de STIHL.
- Afíle frecuentemente, quitando la menor cantidad posible de material; por lo general dos o tres pasadas de la lima son suficientes.



- Afíle las cuchillas (1) uniformemente – no altere de manera alguna el contorno de la cuchilla matriz (2).

Vea las instrucciones en el embalaje del accesorio de corte para información adicional acerca del afilado.

## Equilibrio

- Después de aproximadamente 5 afiladas, revise la cuchilla con un equilibrador STIHL (accesorio especial) – o pida que un concesionario la revise y vuelva a ajustar el equilibrio según sea necesario – STIHL recomienda acudir a un concesionario STIHL para servicio.

## Inspección y mantenimiento por el usuario

### Ajuste del cable del acelerador

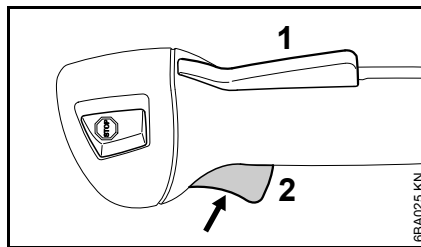
El cable del acelerador puede ajustarse únicamente si la máquina ha sido debidamente armada. El mango de control debe estar en la posición de funcionamiento normal.

Si los ajustes siguientes no producen el resultado deseado, solicitar al concesionario de mantenimiento que repare la máquina. STIHL recomienda acudir a un concesionario STIHL para servicio.

### Máquinas con manillar tipo bicicleta

#### Revisión del ajuste del cable del acelerador

Error: El régimen del motor aumenta cuando **solamente** se oprime el gatillo de aceleración.

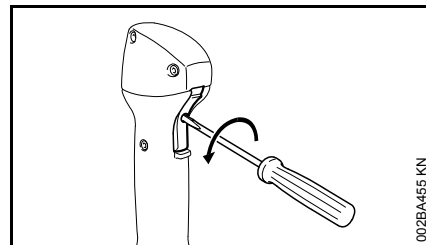


- Arranque el motor.
- Oprima el gatillo de aceleración (2) – **no** oprima el bloqueo (1) del gatillo.

Si el régimen del motor aumenta o si el accesorio de corte empieza a girar, es necesario ajustar el cable del acelerador.

- Apague el motor.

### Ajuste del cable del acelerador



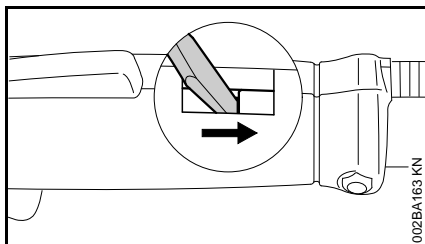
- Empuje hacia abajo el bloqueo (1) y comprima el gatillo de aceleración (2) hasta que topen y manténgalos en esa posición.

Aplice únicamente presión suficiente para mantener las palancas contra sus topes.

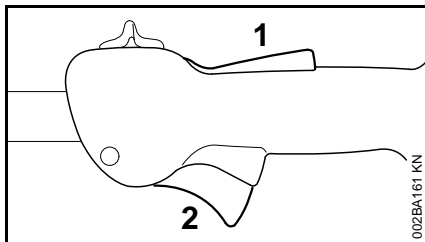
- Gire el tornillo del gatillo de aceleración 1/2 vuelta en sentido contrahorario.
- Suelte el gatillo de aceleración y su bloqueo.
- Arranque el motor y verifique el ajuste.
- Apague el motor y repita el ajuste, de ser necesario.



## Modelos con mango tórico



- Utilice una herramienta adecuada para empujar la pieza deslizante hasta el extremo de la ranura (vea la ilustración).



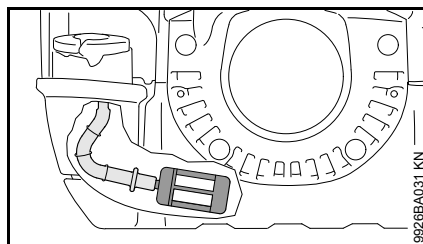
- Pulse el bloqueo (1) y oprima el gatillo de aceleración (2) (aceleración máxima) – esto ajusta el cable del acelerador correctamente.

## Inspección y mantenimiento por el concesionario

### Trabajos de mantenimiento

STIHL recomienda que un concesionario STIHL autorizado efectúe los trabajos de mantenimiento y reparación.

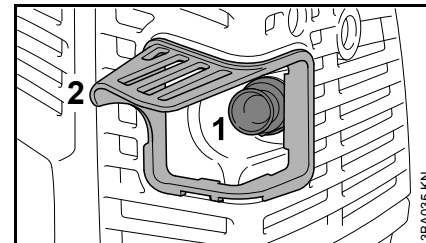
### Captador de combustible en el tanque



- Revise anualmente el recogedor en el tanque de combustible y pida que el concesionario lo sustituya de ser necesario.

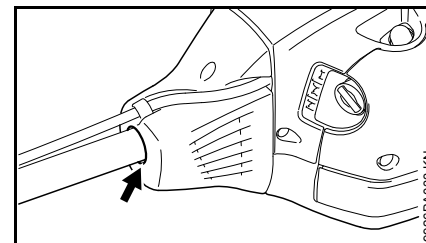
El cuerpo del recogedor debe quedar en el tanque en la posición que se muestra en la ilustración.

## Parachispas en el silenciador y espaciador



- Si el motor pierde potencia, haga revisar el chispeo del silenciador.
- Revise el espaciador (2) en busca de daños.
- Solicite la sustitución del espaciador averiado (2) de inmediato.

### Elemento antivibración



Se instala un elemento de caucho que amortigua vibraciones entre el motor y el tubo de mando. Revíselo si halla señales de desgaste o si se percibe un aumento notable en los niveles de vibración.

## Información para mantenimiento

Los intervalos dados a continuación corresponden únicamente a condiciones normales de trabajo. Si el tiempo de trabajo por jornada es más largo que lo normal, o si las condiciones son extremas (zonas polvorientas, etc.), acorte los intervalos indicados de modo correspondiente.		antes de comenzar el trabajo	después de terminar el trabajo o diariamente	después de cada parada para cargar combustible	semanalmente	mensualmente	cada 12 meses	si hay problema	si tiene daños	si se requiere
Máquina completa	Inspección visual (condición general, fugas)	X		X						
	Limpiar		X							
	Sustituya las piezas dañadas.	X								
Mango de control	Comprobar el funcionamiento	X		X						
Filtro de aire, elemento de papel	Inspección visual					X		X		
	Reemplazar <sup>1)</sup>								X	
Filtro de aire, elemento de tela sintética	Inspección visual					X		X		
	Limpiar									X
	Reemplazar								X	X
Tanque de combustible	Limpiar									X
Recogedor en tanque de combustible	Revisar <sup>2)</sup>							X		
	Reemplazar <sup>2)</sup>					X			X	X
Carburador	Comprobar el ajuste de marcha en vacío – el accesorio de corte no debe girar	X		X						
	Volver a ajustar la velocidad de marcha en vacío									X
Bujía	Ajustar la distancia entre electrodos							X		
	Cambiar después de aprox. cada 100 horas de funcionamiento									
Entradas de enfriamiento	Inspección visual		X							
	Limpiar									X
Aletas del cilindro	Limpiar <sup>2)</sup>					X				
Parachispas en el silenciador.	Revisar <sup>2)</sup>							X		
	Limpiar o reemplazar <sup>2)</sup>								X	

Los intervalos dados a continuación corresponden únicamente a condiciones normales de trabajo. Si el tiempo de trabajo por jornada es más largo que lo normal, o si las condiciones son extremas (zonas polvorientas, etc.), acorte los intervalos indicados de modo correspondiente.		antes de comenzar el trabajo	después de terminar el trabajo o diariamente	después de cada parada para cargar combustible	semanalmente	mensualmente	cada 12 meses	si hay problema	si tiene daños	si se requiere
Espaciador	Revisar	X								
	Reemplazar <sup>2)</sup>	X						X		
Cámara de combustión	Descarbonizar después de las primeras 139 horas de funcionamiento, y luego cada 150 horas									X
Todos los tornillos y tuercas accesibles (salvo los tornillos de ajuste) <sup>2)</sup>	Volver a apretar									X
Elementos antivibración	Revisar <sup>4)</sup>	X						X		
	Reemplazar <sup>2)</sup>								X	
Accesorio de corte	Inspección visual	X		X						
	Reemplazar								X	
	Revisar el apriete	X		X						
Accesorio de corte metálico	Afilar	X								X
Lubricación de caja de engranajes	Revisar				X			X		X
	Restituir									X
Etiquetas de seguridad	Reemplazar								X	

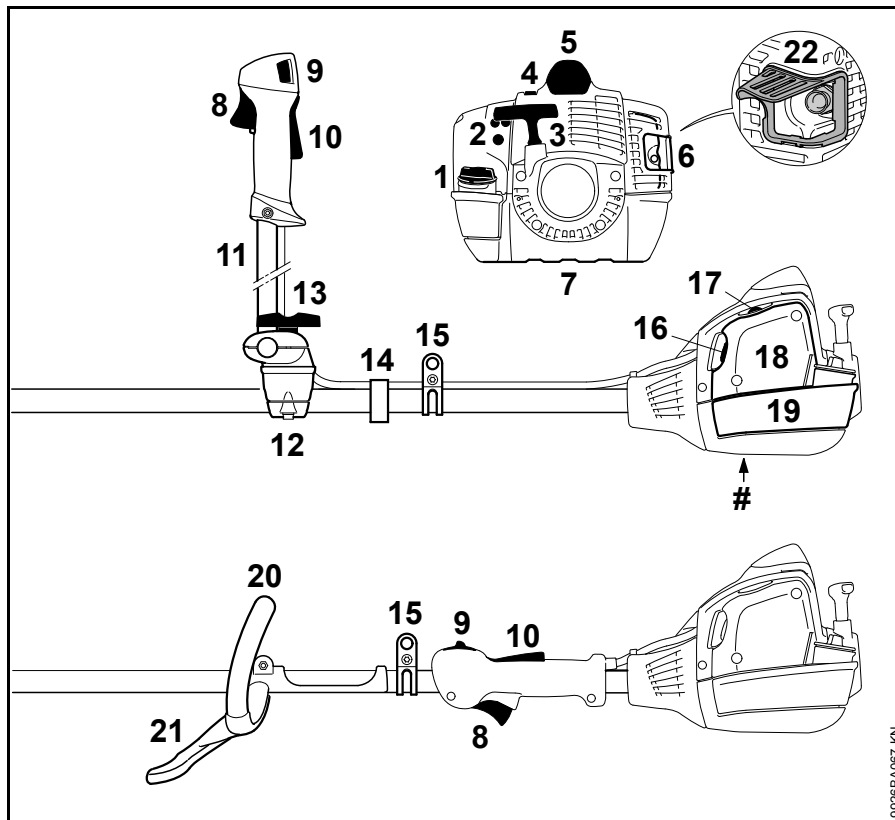
1) Solamente si hay una pérdida notable de la potencia del motor

2) STIHL recomienda que un concesionario de servicio STIHL efectúe este trabajo

3) Apriete los tornillos de montaje del silenciador bien firmes luego de las primeras 10 a 20 horas de funcionamiento.

4) Vea el capítulo "Inspecciones y mantenimiento por el concesionario", sección "Elementos antivibración".

## Componentes importantes



- 1 Tapa de llenado de combustible
- 2 Tornillos de ajuste del carburador
- 3 Mango de arranque
- 4 Obturador
- 5 Casquillo de bujía
- 6 Silenciador con chispero
- 7 Placa protectora
- 8 Gatillo de aceleración
- 9 Interruptor momentáneo de parada
- 10 Bloqueo de gatillo de aceleración
- 11 Manillar
- 12 Soporte del manillar
- 13 Tornillo de fijación
- 14 Retenedor del cable del acelerador
- 15 Argolla de transporte
- 16 Palanca del estrangulador
- 17 Bomba de combustible
- 18 Cubierta del filtro
- 19 Tanque de combustible
- 20 Mango tórico
- 21 Barra de defensa
- 22 Espaciador
- # Número de serie

9926BA067 KN

## Definiciones

### 1 Tapa de llenado de combustible

Para tapan el tanque de combustible.

### 2 Tornillos de ajuste del carburador

Para afinar el carburador.

### 3 Mango de arranque

El mango del arrancador usado para arrancar el motor.

### 4 Obturador

Con posiciones para invierno y verano. El carburador se calienta en la posición de invierno.

### 5 Casquillo de bujía

Conecta la bujía al alambre de encendido.

### 6 Silenciador con chispero

El silenciador reduce los ruidos del tubo de escape y desvía los gases de escape lejos del operador. El chispero está diseñado para reducir el riesgo de incendios.

### 7 Placa protectora

Protege al tanque de combustible.

### 8 Gatillo de aceleración

Regula la velocidad del motor.

### 9 Interruptor momentáneo de parada

Apaga el sistema de encendido del motor y para el motor.

### 10 Bloqueo de gatillo de aceleración

Debe ser oprimido antes de poder activar el gatillo de aceleración.

### 11 Manillar

Para agarrar con la mano para manejar y controlar la máquina durante los trabajos.

### 12 Soporte del manillar

Conecta el eje y el manillar tipo bicicleta.

### 13 Tornillo de fijación

Bloquea el manillar en la posición seleccionada.

### 14 Retenedor del cable del acelerador

Sujeta el cable del acelerador al tubo de mando.

### 15 Argolla de transporte

Conecta la unidad al arnés.

### 16 Palanca del estrangulador

Facilita el arranque del motor al enriquecer la mezcla.

### 17 Bomba de combustible

Suministra alimentación adicional de combustible para el arranque en frío.

### 18 Cubierta del filtro

Encierra y protege el filtro de aire.

### 19 Tanque de combustible

Contiene la mezcla de combustible y aceite.

### 20 Mango tórico

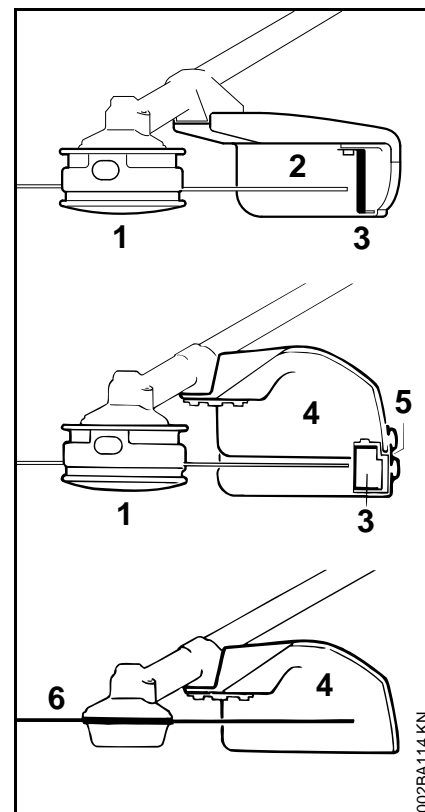
Para facilitar el control de la máquina durante el proceso de corte.

### 21 Barra de defensa

Ayuda a mantener los pies y piernas del usuario lejos de la herramienta de corte.

### 22 Espaciador

Diseñado para reducir el riesgo de quemaduras y incendios.



- 1 Cabeza de segado
- 2 Deflector para cabezas segadoras
- 3 Cuchilla limitadora del hilo
- 4 Deflector con faldilla para todos los accesorios de segado
- 5 Faldilla
- 6 Herramienta segadora metálica

002BA114 KN

## Definiciones

### 1 Cabeza de segado

El accesorio de corte, por ej. una cabeza segadora, se usa para diferentes propósitos.

### 2 Deflector para cabezas segadoras

El deflector tiene por objeto reducir el riesgo de lesiones causadas por objetos extraños arrojados contra el operador por el accesorio de corte y por el contacto con el accesorio de corte.

### 3 Cuchilla limitadora del hilo

Una cuchilla de metal en el deflector para mantener el hilo de la cabeza segadora al largo adecuado.

### 4 Deflector con faldilla para todos los accesorios de segado

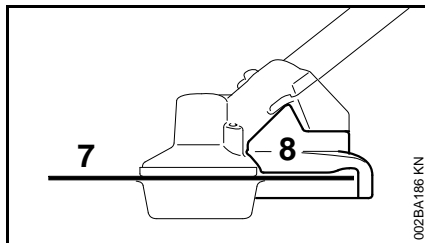
El deflector tiene por objeto reducir el riesgo de lesiones causadas por objetos extraños arrojados contra el operador por el accesorio de corte y por el contacto con el accesorio de corte. No está diseñado para contener las cuchillas metálicas fragmentadas.

### 5 Faldilla

La faldilla en la parte inferior del deflector debe usarse de la manera descrita en el capítulo "Montaje del deflector".

### 6 Herramienta segadora metálica

El accesorio de corte, por ejemplo la cuchilla, hecho de metal para varios propósitos.



7 Cuchilla para sierra circular

8 Tope limitador para sierras circulares

## Definiciones

### 7 Cuchilla para sierra circular

Un accesorio de corte hecho de metal para cortar madera.

### 8 Tope limitador para sierras circulares

Diseñado para colocar la cortadora de matorrales firmemente contra la madera para reducir el riesgo de lesiones causadas por la pérdida de control como resultado de las fuerzas reactivas.

## Especificaciones

### EPA / CEPA

El período de cumplimiento de emisiones indicado en la etiqueta de cumplimiento de emisiones es la cantidad de horas de funcionamiento para la cual la máquina ha demostrado la conformidad con los requerimientos de emisiones del Gobierno federal de los EE.UU.

Categoría

A = 300 horas

B = 125 horas

C = 50 horas

### CARB

El período de cumplimiento de emisiones empleado en la etiqueta del índice de aire CARB tiene las siguientes definiciones:

Extended = 300 horas

Intermediate = 125 horas

Moderate = 50 horas

### Motor

Motor de un cilindro, dos tiempos

**FS 240**

Versión con manillar tipo bicicleta	
Cilindrada:	37,7 cm <sup>3</sup> (2,30 pulg <sup>3</sup> )
Diámetro:	40 mm (1,57 pulg)
Carrera:	30 mm (1,18 pulg)
Potencia del motor según ISO 8893:	1,7 kW (2,3 HP) a 8500 r/min
Marcha en vacío:	2800 r/min
Velocidad de corte (nominal):	12.500 r/min
Velocidad máx. de eje de salida (accesorio de corte)	9.360 r/min

**FS 240 R**

Versión con mango tórico	
Cilindrada:	37,7 cm <sup>3</sup> (2,30 pulg <sup>3</sup> )
Diámetro:	40 mm (1,57 pulg)
Carrera:	30 mm (1,18 pulg)
Potencia del motor según ISO 8893:	1,7 kW (2,3 HP) a 8500 r/min
Marcha en vacío:	2800 r/min
Velocidad de corte (nominal):	10.500 r/min
Velocidad máx. de eje de salida (accesorio de corte)	7.930 r/min

**Sistema de encendido**

Encendido por magneto electrónico

Bujía (tipo resistencia):	NGK CMR6H
Distancia entre electrodos:	0,5 mm (0,02 pulg)

**Sistema de combustible**

Carburador de diafragma de todas posiciones con bomba de combustible integral

Capacidad del tanque de combustible: 0,75 l (25,4 oz fl)

**Peso**

Seco, sin accesorio de corte y deflector

FS 240 7,0 kg (15,4 lb)

FS 240 R 6,6 kg (14,6 lb)

**Largo total**

sin accesorio de corte

FS 240 1805 mm  
(71,06 pulg)

FS 240 R 1865 mm  
(73,42 pulg)

**Características**

R Mango tórico

**Accesorios especiales**

Comuníquese con su concesionario STIHL para información acerca de accesorios especiales que pueden estar disponibles para su producto.

## Información de reparación

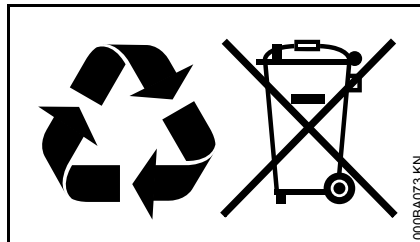
Los usuarios de esta máquina deben efectuar únicamente los trabajos de mantenimiento descritos en este manual. Solamente los talleres autorizados por STIHL deben llevar a cabo los demás trabajos de reparación.

Los reclamos de garantía presentados después de realizadas las reparaciones serán aceptados únicamente si las mismas fueron ejecutadas por un concesionario de servicio autorizado STIHL utilizando piezas de repuesto originales de STIHL.

Es posible identificar las piezas originales de STIHL por el número de pieza STIHL, el logotipo de **STIHL**® y, en ciertos casos, el símbolo **GI** de piezas STIHL. En las piezas pequeñas el símbolo puede aparecer solo.

## Desecho

Respete todas las leyes y los reglamentos sobre eliminación de desechos que correspondan a su país.



No se debe botar los aparatos STIHL en el basurero. Lleve el producto, los accesorios y el embalaje a un vertedero autorizado para reciclarlos y contribuir al cuidado del medio ambiente.

Comuníquese con un concesionario de servicio de STIHL para obtener la información más actualizada sobre la eliminación de desechos.

## Declaración de garantía de STIHL Incorporated sobre sistemas de control de emisiones según normas Federales

### No para California

---

#### Sus derechos y obligaciones de garantía

La Agencia de Protección del Medio Ambiente (EPA) de los EE.UU. y STIHL Incorporated se complacen en explicarle la garantía del sistema de control de emisiones instalado en el motor de su equipo. En los EE.UU., los nuevos motores pequeños para equipos de uso fuera de carretera modelos 1997 y posteriores deben estar diseñados, construidos y equipados, al tiempo de la venta, de conformidad con los reglamentos de la EPA de los EE.UU. para los motores pequeños de uso fuera de carretera. El motor del equipo debe carecer de defectos en el material y la fabricación que puedan causar el incumplimiento de las normas de la EPA de los EE.UU. durante los primeros dos años de uso del motor a partir de la fecha de compra por el último comprador.

STIHL Incorporated debe garantizar el sistema de control de emisiones en el motor pequeño para uso fuera de carretera por el intervalo mencionado más arriba, siempre que dicho motor no haya estado sujeto a maltrato, negligencia o cuidado inapropiado.



El sistema de control de emisiones de su máquina incluye piezas tales como el carburador y el sistema de encendido. Además puede incluir mangueras, conectores y otros conjuntos asociados con el control de emisiones.

En los casos de existir una condición amparada bajo garantía, STIHL Incorporated reparará el motor pequeño para equipo de uso fuera de carretera sin costo alguno, incluido el diagnóstico (si el trabajo de diagnóstico fue realizado por un concesionario autorizado), las piezas y la mano de obra.

### **Cobertura de garantía del fabricante**

En los EE.UU., los motores pequeños para equipos de uso fuera de carretera modelos 1997 y posteriores también están garantizados por dos años. En el caso de encontrarse defectos en cualquiera de las piezas del motor relacionadas con el sistema de control de emisiones, la pieza será reparada o sustituida por STIHL Incorporated sin costo alguno.

### **Responsabilidades del usuario relativas a la garantía**

Como propietario de motor pequeño para equipo de uso fuera de carretera, usted tiene la responsabilidad de realizar el mantenimiento requerido descrito en su manual de instrucciones. STIHL Incorporated le recomienda guardar todos los recibos comprobantes de los trabajos de mantenimiento hechos a su motor pequeño para equipo de uso fuera de carretera, pero STIHL Incorporated no puede negar garantía basado en el solo hecho de faltar los

recibos o del incumplimiento del propietario de realizar todos los trabajos de mantenimiento programados.

El uso de cualquier pieza de repuesto o servicio cuyo comportamiento y durabilidad sean equivalentes está permitido en trabajos de mantenimiento o reparación no contemplados en la garantía, y no reducirá las obligaciones de la garantía del fabricante del motor.

Sin embargo, como propietario del motor pequeño para equipo de uso fuera de carretera usted debe ser consciente de que STIHL Incorporated puede negarle cobertura de garantía si dicho motor o una pieza del mismo ha fallado debido a maltrato, descuido, mantenimiento inadecuado o modificaciones no autorizadas.

Usted es responsable de llevar el motor pequeño para equipo de uso fuera de carretera a un centro de servicio STIHL tan pronto surja el problema. Las reparaciones bajo garantía serán realizadas en un tiempo razonable, sin exceder de 30 días.

Ante cualquier duda respecto a sus derechos y responsabilidades bajo esta garantía, sírvase contactar al representante de atención al cliente STIHL llamando al 1-800-467-8445, o si lo prefiere puede escribir a

STIHL Inc.,  
536 Viking Drive, P.O. Box 2015,  
Virginia Beach, VA 23450-2015 EE.UU.

[www.stihlusa.com](http://www.stihlusa.com)

### **Cobertura por STIHL Incorporated**

STIHL Incorporated garantiza al último comprador y a cada comprador subsiguiente que el motor pequeño para

equipo de uso fuera de carretera está diseñado, construido y equipado, al tiempo de la venta, de conformidad con todos los reglamentos aplicables. Además, STIHL Incorporated garantiza al comprador inicial y a cada comprador subsiguiente que el motor está libre de defectos en el material y fabricación que puedan causar el incumplimiento de los reglamentos aplicables durante un período de dos años.

### **Período de garantía**

El período de garantía comienza en la fecha en que el motor del equipo utilitario es entregado a usted y usted firma y remite la tarjeta de garantía a STIHL.

Si cualquier componente relacionado con el sistema de control de emisiones está defectuoso, el mismo será sustituido por STIHL Incorporated sin costo alguno para el propietario. Cualquier pieza garantizada cuyo reemplazo no está programado como mantenimiento requerido, o que debe recibir únicamente inspección regular en el sentido de "reparar o sustituir según sea necesario", estará garantizada por el período de garantía. Cualquier pieza cuyo reemplazo está programado como mantenimiento requerido estará garantizada por el intervalo hasta el primer punto de reemplazo programado para esa pieza.

### **Diagnóstico**

Como propietario, a usted no se le debe cobrar la mano de obra por los diagnósticos que determinen que una pieza garantizada está defectuosa. No obstante, si usted reclama garantía para un componente y se comprueba que la

máquina no está defectuosa, STIHL Incorporated le cobrará el costo de la prueba del sistema de control de emisiones. El trabajo de diagnóstico mecánico se realiza en un centro de servicio autorizado por STIHL. La prueba del sistema de control de emisiones se realiza ya sea en la fábrica de STIHL Incorporated o en un laboratorio de ensayos independiente.

### Trabajo bajo garantía

STIHL Incorporated reparará los defectos amparados por la garantía en cualquier estación de garantía o centro de servicio autorizado por STIHL. Todo trabajo de este tipo se hará gratis para el propietario siempre que se determine que la pieza cubierta por la garantía está defectuosa.

Se puede usar cualquier pieza de repuesto aprobada por el fabricante o equivalente en las piezas relacionadas con el sistema de control de emisiones, y debe ser suministrada gratis al propietario. STIHL Incorporated es responsable por daños a otros componentes del motor causados por la falla de una pieza garantizada que todavía está bajo garantía.

La lista siguiente define específicamente las piezas garantizadas y relacionadas con las emisiones:

- Filtro de aire
- Carburador (si corresponde)
- Bomba de combustible
- Estrangulador (sistema de enriquecimiento de arranque en frío) (si corresponde)

- Varillajes de control
- Múltiple de admisión
- Sistema de encendido por magneto o electrónico (Módulo de encendido o unidad de control electrónica)
- Volante
- Bujía
- Válvula de inyección (si corresponde)
- Bomba de inyección (si corresponde)
- Carcasa del acelerador (si corresponde)
- Cilindro
- Silenciador
- Convertidor catalítico (si lo tiene)
- Tanque de combustible
- Tapa de tanque de combustible
- Línea de combustible
- Adaptadores de línea de combustible
- Abrazaderas
- Sujetadores/pernos

### Dónde presentar el reclamo para servicio bajo garantía

Lleve el producto a cualquier centro de servicio autorizado por STIHL y presente la tarjeta de garantía firmada.

### Requerimientos de mantenimiento

Las instrucciones presentadas en este manual se basan en la aplicación de la mezcla recomendada para motores de 2 tiempos (vea también la instrucción "Combustible"). Las discrepancias de

estas recomendaciones con respecto a la calidad y la proporción de la mezcla de combustible y aceite pueden exigir intervalos de mantenimiento más cortos.

### Limitaciones

Esta garantía de los sistemas de control de emisiones no cubrirá ninguno de los puntos siguientes:

- reparación o sustitución requerida debido a maltrato, negligencia o falta del mantenimiento requerido,
  - reparaciones mal hechas o sustituciones contrarias a las especificaciones de STIHL Incorporated que afecten desfavorablemente el funcionamiento y/o la durabilidad, y las alteraciones o modificaciones no recomendadas o aprobadas por escrito por STIHL Incorporated,
- y
- la sustitución de piezas y otros servicios y ajustes necesarios para el mantenimiento requerido en y después del primer punto de reemplazo programado.

## Declaración de garantía de STIHL Incorporated sobre el control de emisiones de gases de escape y emisiones por evaporación para el Estado de California

### Solamente para California

#### Sus derechos y obligaciones de garantía

El Consejo de Recursos del Aire del Estado de California (CARB) y STIHL Incorporated se complacen en explicarle la Garantía del sistema de control de emisiones instalado en el motor de su equipo de uso fuera de carretera para el año 2013 y posteriores.

En California, el equipo nuevo que tiene motores pequeños para uso fuera de carretera debe estar diseñado, construido y equipado de conformidad con las rigurosas normas de contaminación del aire del estado. STIHL Incorporated debe garantizar el sistema de control de emisiones en el motor pequeño para uso fuera de carretera por el intervalo mencionado más arriba, siempre que dicho motor pequeño para uso fuera de carretera no haya estado sujeto a maltrato, negligencia o cuidado inapropiado.

Su sistema de control de emisiones puede incluir piezas tales como el carburador y el sistema de inyección de combustible, el sistema de encendido y el convertidor catalítico. Además puede incluir mangueras, correas, conectores y otros conjuntos asociados con el control de emisiones.

En los casos de existir una condición amparada bajo garantía, STIHL Incorporated reparará el motor pequeño para equipo de uso fuera de carretera sin costo alguno, incluido el diagnóstico, las piezas y la mano de obra.

#### Responsabilidades del fabricante relativas a la garantía

El sistema de control de emisiones tiene una garantía de dos años en California. En el caso de encontrarse defectos en cualquiera de los componentes del motor relacionados con el sistema de control de emisiones, el mismo será reparado o sustituido por STIHL Incorporated sin costo alguno.

#### Responsabilidades del propietario relativas a la garantía

Como propietario de motor pequeño para equipo de uso fuera de carretera, usted tiene la responsabilidad de realizar el mantenimiento requerido descrito en su manual de instrucciones. STIHL Incorporated le recomienda guardar todos los recibos comprobantes de los trabajos de mantenimiento hechos a su motor pequeño para equipo de uso fuera de carretera, pero STIHL Incorporated no puede negar garantía basado en el solo hecho de faltar los recibos o de su incumplimiento de realizar todos los trabajos de mantenimiento programados.

Sin embargo, como propietario del motor pequeño para equipo de uso fuera de carretera usted debe ser consciente de que STIHL Incorporated puede negarle cobertura de garantía si dicho motor o un componente del mismo

ha fallado debido a maltrato, descuido, mantenimiento inadecuado o modificaciones no autorizadas.

Usted es responsable de llevar el motor pequeño para equipo de uso fuera de carretera a un concesionario de servicio STIHL tan pronto surja el problema. Las reparaciones bajo garantía deben realizarse en un tiempo razonable, sin exceder de 30 días. Ante cualquier duda respecto a sus derechos y responsabilidades bajo esta garantía, sírvase contactar al representante de atención al cliente STIHL llamando al 1-800-467-8445, o si lo prefiere puede escribir a

STIHL Inc., 536 Viking Drive,  
P.O. Box 2015,  
Virginia Beach, VA 23450-2015 EE.UU.

[www.stihlusa.com](http://www.stihlusa.com)

#### Cobertura por STIHL Incorporated

STIHL Incorporated garantiza al último comprador y a cada comprador subsiguiente que el motor pequeño para equipo de uso fuera de carretera está diseñado, construido y equipado, al tiempo de la venta, de conformidad con todos los reglamentos acerca de emisiones aplicables.

Además, STIHL Incorporated garantiza al comprador inicial y a cada comprador subsiguiente que el motor está libre de defectos en el material y fabricación que puedan causar el incumplimiento de los reglamentos acerca de emisiones aplicables durante un período de dos años.

### Período de garantía contra defectos

Los períodos de garantía comenzarán el día en que el motor de equipo utilitario es comprado por el comprador inicial. Si cualquier componente relacionado con el sistema de control de emisiones está defectuoso, el mismo será sustituido por STIHL Incorporated sin costo alguno para el propietario.

No se permite usar componentes adicionales o modificados que no hayan sido eximidos por el Consejo de Recursos del Aire (CARB). El uso de cualquier componente adicional o modificado no eximido será motivo para la denegación del reclamo bajo garantía. STIHL Incorporated no es responsable por las fallas de los componentes garantizados causadas por el uso de un componente adicional o modificado no eximido.

La garantía de los componentes relacionados con el control de emisiones se interpretará de la manera siguiente:

**1** Cualquier componente garantizado cuyo reemplazo no está programado como mantenimiento requerido en las instrucciones escritas requeridas en la Lista de Piezas bajo la Garantía de Control de Emisiones (vea más abajo) debe garantizarse por el período de garantía definido en la subsección COBERTURA POR STIHL INCORPORATED, vea más arriba. Si uno de estos componentes falla durante el período de garantía, el fabricante debe reparar o sustituir el mismo de acuerdo con la

subsección (4) más abajo. Un componente reparado o sustituido bajo la garantía debe garantizarse durante el resto del período de garantía.

- 2** Cualquier componente garantizado que solamente debe inspeccionarse periódicamente de acuerdo con las instrucciones escritas requeridas en la Lista de Piezas bajo la Garantía de Control de Emisiones (vea más abajo) debe garantizarse por el período de garantía definido en la subsección COBERTURA POR STIHL INCORPORATED, vea más arriba. Una declaración en las instrucciones escritas tal como "reparar o sustituir según sea necesario" no acortará el período de cobertura de garantía. Un componente de este tipo reparado o sustituido bajo la garantía debe garantizarse durante el resto del período de garantía.
- 3** Cualquier componente garantizado que debe sustituirse como un elemento de mantenimiento requerido en las instrucciones escritas requeridas por la lista de piezas bajo la garantía de control de emisiones (vea más abajo) debe garantizarse por el intervalo antes del primer punto de sustitución programado para este componente. Si el componente falla antes del primer punto de sustitución programado, el fabricante del motor debe reparar o sustituir el mismo de acuerdo con la subsección (4) más abajo. Un componente de este tipo reparado o sustituido bajo la

garantía debe garantizarse durante el resto del período de garantía antes del primer punto de sustitución programado para el componente.

- 4** La reparación o sustitución de cualquier componente garantizado debe llevarse a cabo en una estación de reparaciones bajo garantía sin costo alguno para el propietario.
- 5** No obstante lo expuesto en la subsección (4) de arriba, los servicios o las reparaciones bajo garantía pueden obtenerse en todos los centros de distribución del fabricante autorizados para dar servicio a los motores en cuestión.
- 6** Al propietario no se le debe cobrar el trabajo del diagnóstico que establece que el componente garantizado es de hecho defectuoso, a condición de que tal trabajo de diagnóstico se realice en una estación de reparaciones bajo garantía.

### Trabajo bajo garantía

STIHL Incorporated reparará los defectos amparados por la garantía en cualquier estación de garantía o centro de servicio autorizado por STIHL. Todo trabajo de este tipo se hará gratis para el propietario siempre que se determine que la pieza cubierta por la garantía está defectuosa. Se puede usar cualquier pieza de repuesto aprobada por el fabricante o equivalente para el mantenimiento o la reparación de los componentes relacionados con el sistema de control de emisiones, y la misma debe ser suministrada gratis al

propietario. STIHL Incorporated es responsable por daños a otros componentes del motor causados por la falla de una pieza garantizada que todavía está bajo garantía.

### Lista de piezas bajo la garantía de emisiones

Filtro de aire, carburador (si corresponde), bomba de combustible, estrangulador (sistema de enriquecimiento para arranque en frío) (si corresponde), varillajes de control, múltiple de admisión, sistema de encendido por magneto o electrónico (Módulo de encendido o unidad de control electrónica), volante, bujía, válvula de inyección (si corresponde), bomba de inyección (si corresponde), carcasa del acelerador (si corresponde), cilindro, silenciador, convertidor catalítico (si corresponde), tanque de combustible, tapa de combustible, tubería de combustible, adaptadores de tubería de combustible, abrazaderas, fijaciones.

### Dónde presentar el reclamo para servicio bajo garantía

Lleve el producto de STIHL a cualquier concesionario de servicio autorizado por STIHL y presente la tarjeta de registro de producto STIHL firmado o la copia impresa del registro electrónico del producto.

### Limitaciones

La reparación o la sustitución de cualquier componente garantizado y normalmente abarcado por la garantía se puede excluir de la garantía si STIHL Incorporated demuestra el maltrato, negligencia o mantenimiento incorrecto

del producto de STIHL, y que tal maltrato, negligencia, o mantenimiento incorrecto era la causa directa de la necesidad de reparación o sustitución del componente. A pesar de lo anterior, el ajuste de un componente que tiene un dispositivo limitador instalado en fábrica y funcionando correctamente no perjudicará la cobertura bajo garantía.

## Marcas comerciales

### Marcas registradas de STIHL

STIHL®

**STIHL**®



La combinación de colores anaranjado-gris (Números de registro EE.UU. 2,821,860; 3,010,057, 3,010,058, 3,400,477; y 3,400,476)



4-MIX®

AUTOCUT®

EASYSTART®

FARM BOSS®

iCademy®

MAGNUM®

MasterWrench Service®

MotoMix®

OIOMATIC®

STIHL Cutquik®

STIHL DUROMATIC®  
STIHL Quickstop®  
STIHL ROLLOMATIC®  
STIHL WOOD BOSS®  
TIMBERSPORTS®  
WOOD BOSS®  
YARD BOSS®

**Algunos de las marcas comerciales de  
STIHL por ley común**

---



BioPlus™  
Easy2Start™  
EasySpool™  
ElastoStart™  
Ematic™  
FixCut™  
HT Plus™  
IntelliCarb™  
Master Control Lever™  
Micro™  
Pro Mark™  
Quad Power™  
Quiet Line™  
STIHL Arctic™  
STIHL Compact™

STIHL HomeScaper Series™  
STIHL Interchangeable Attachment Series™  
STIHL M-Tronic™  
STIHL MiniBoss™  
STIHL MotoPlus 4™  
STIHL Multi-Cut HomeScaper Series™  
Stihl Outfitters™  
STIHL PICCO™  
STIHL PolyCut™  
STIHL PowerSweep™  
STIHL Precision Series™  
STIHL Protech™  
STIHL RAPID™  
STIHL SuperCut™  
STIHL Territory™  
TapAction™  
TrimCut™

Esta lista de marcas comerciales está sujeta a cambios.

Queda terminantemente prohibido todo uso de estas marcas comerciales sin el consentimiento expreso por escrito de ANDREAS STIHL AG & Co. KG, Waiblingen.



 **WARNING**

The engine exhaust from this product contains chemicals known to the State of California to cause cancer, birth defects or other reproductive harm.

 **ADVERTENCIA**

El gas de escape del motor de esta máquina contiene productos químicos que en el estado de California son considerados como causantes de cáncer, defectos de nacimiento u otros efectos nocivos para los órganos de la reproducción.

0458-742-8621-C

englisch / spanisch USA



[www.stihl.com](http://www.stihl.com)



0458-742-8621-C