

STIHL FS 44

Instruction Manual
Owner's Manual

Assembling
Safety Precautions
Operating Instructions
Maintenance



Warning!
Always follow safety precautions in
Owner's Manual — improper use
can cause serious injury!

Contents

Parts and Controls			
- Version with Bike Handle	2	Fuel	28
- Version with "J" Handle	2	Fueling	30
- Version with Loop Handle	4	Fitting the Harness	30
- Version with Loop Handle and Standoff Lever	4	Starting	
- All Versions	4	- Version with Bike Handle	32
Safety Precautions and Working Techniques	6	- Stop Switch on Throttle Trigger Housing	36
Selecting the Cutting Tool	16	- Stop Switch on Engine Housing	39
Mounting the Bike Handle	18	Adjusting Carburetor	42
Mounting the "J"-Handle	19	Checking Spark Plug	44
Mounting Loop Handle with Standoff Lever	19	Cleaning Air Filter	45
Mounting the Loop Handle		Spark Arresting Screen in Muffler	46
- Version A	20	Gearbox Lubrication	46
- Version B	21	Lubricating Flexible Shaft	47
Mounting the Deflector	22	Sharpening Cutting Tools	
Mounting the Cutting Tools	23	- Grass Cutting Blade 230-4	48
- STIHL Supercut 20-1	24	- Grass Cutting Blade 230-8	48
- STIHL Supercut 20-2	24	Operating Instructions	49
- STIHL Polycut 20-3	24	Storing the Machine	50
- STIHL Autocut 20-2	25	Maintenance Chart	51
- STIHL Autocut 25-2	25	Specifications	52
- STIHL Polymatic 30-2	26	Special Accessories	53
- STIHL Autocut 24-2	26		
- STIHL Fixed Line Head	27		
- Grass Cutting Blade 230	28		

This manual contains warnings, operating and safety precautions for the STIHL FS 44 brushcutter.

Pay special attention to the safety precautions outlined on pages 6 to 15.

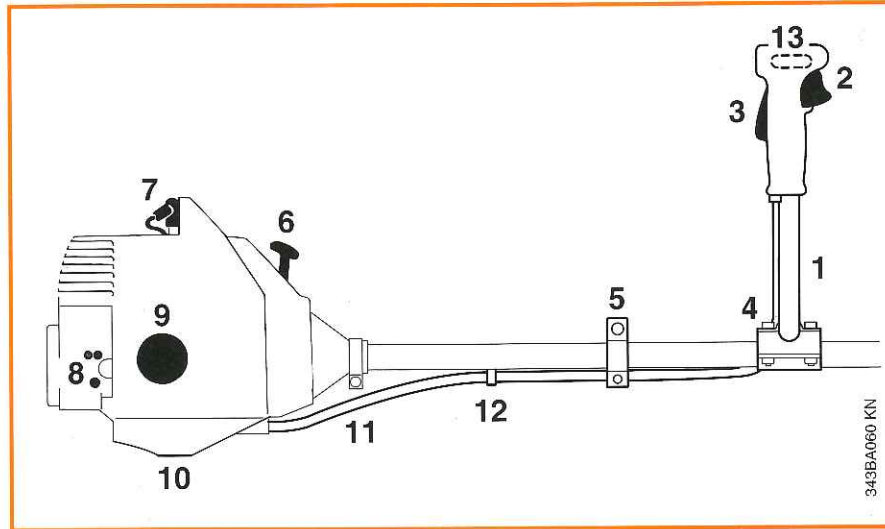
Allow only persons who understand this manual to operate your brushcutter.

To receive maximum performance and satisfaction from your STIHL brushcutter, it is important that you read and understand the maintenance and safety precautions before using your brushcutter. Contact your STIHL dealer or the STIHL distributor for your area if you do not understand any of the instructions in this manual.

Warning!

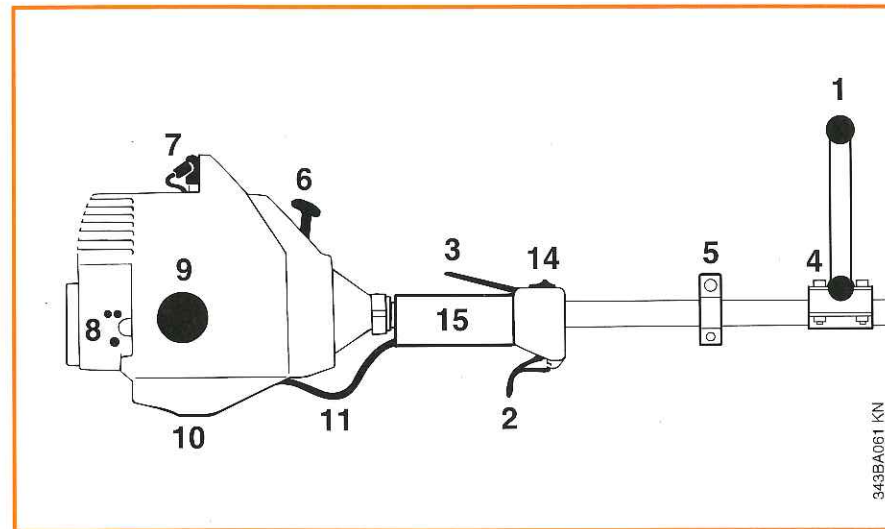
Because a brushcutter is a high-speed cutting tool some special safety precautions must be observed to reduce the risk of personal injury. Careless or improper use may cause serious or even fatal injury. Make sure your unit is equipped with the proper deflector, handle and harness for the type of cutting attachment being used. Always wear proper eye protection.

STIHL's philosophy is to continually improve all of its products. As a result, engineering changes and improvements are made from time to time. If the operating characteristics or the appearance of your brushcutter differs from those described in this manual, please contact your STIHL dealer for information and assistance.



Bike Handle Version

- 1 = Bike handle
- 2 = Throttle trigger
- 3 = Throttle trigger interlock
- 4 = Handle support
- 5 = Clamp (Harness)
- 6 = Starter grip
- 7 = Spark plug terminal
- 8 = Carburetor adjusting screws
- 9 = Fuel filler cap
- 10 = Machine support
- 11 = Throttle cable / stop switch wire
- 12 = Throttle cable retainer
- 13 = Slide control

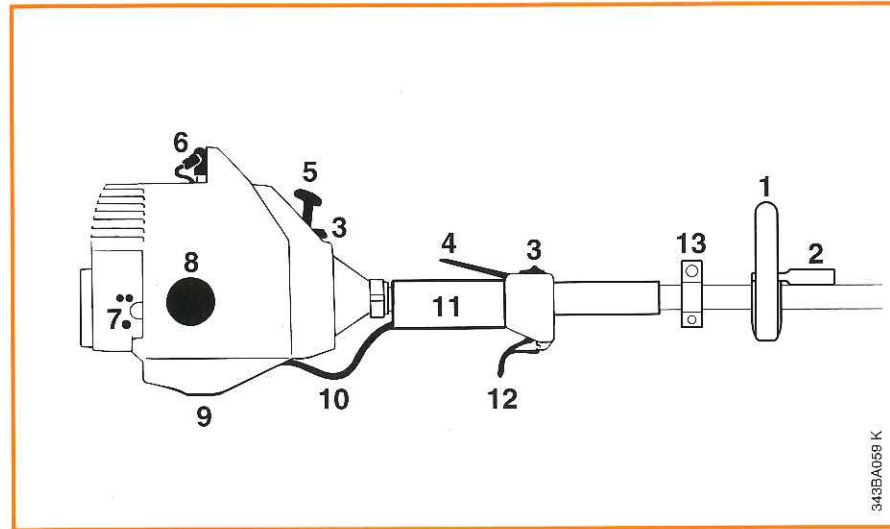


"J"-Handle Version

- 1 = "J"-handle
- 2 = Throttle trigger
- 3 = Throttle trigger interlock
- 4 = Handle support
- 5 = Clamp (Harness)
- 6 = Starter grip
- 7 = Spark plug terminal
- 8 = Carburetor adjusting screws
- 9 = Fuel filler cap
- 10 = Machine support
- 11 = Throttle cable/stop switch wire
- 14 = Stop switch
- 15 = Handle hose

Definitions

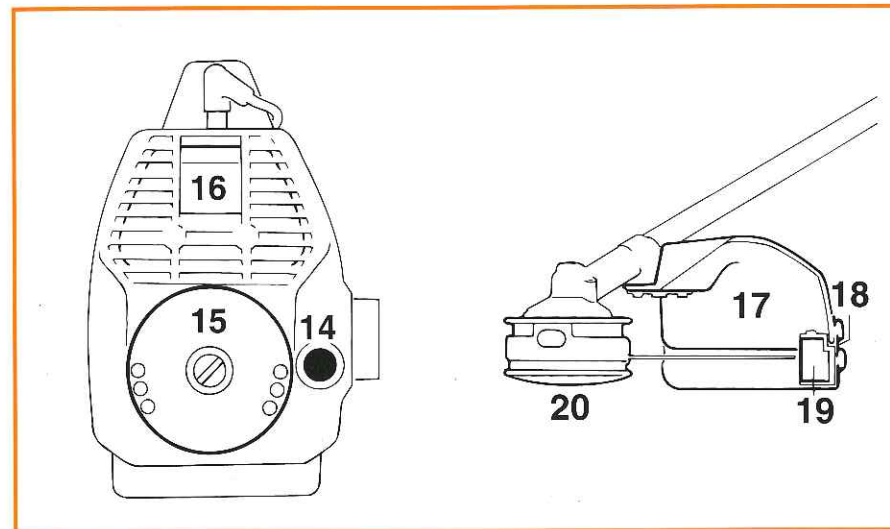
- 1. **Bike handle, "J"-handle.**
To hold the brushcutter with both hands.
- 2. **Throttle trigger.**
Controls the speed of the engine.
- 3. **Throttle trigger interlock.**
Must be depressed before the throttle trigger can be activated.
- 4. **Handle support.**
Connects the drive shaft to the handle bars.
- 5. **Clamp.**
The device to connect the brushcutter to the harness.
- 6. **Starter grip.**
The grip of the pull starter, which is the device to start the engine.
- 7. **Spark plug terminal.**
Connects the spark plug to the ignition wire.
- 8. **Carburetor adjusting screws.**
For tuning carburetor.
- 9. **Fuel filler cap.**
For closing the fuel tank.
- 10. **Machine support.**
For resting machine on the ground.
- 11. **Throttle cable/stop switch wire.**
Connect operator's control grip to the powerhead.
- 12. **Throttle cable retainer**
Fixes the throttle cable on the drive shaft.
- 13. **Slide control.**
Starting throttle lock and stop switch. Keeps the throttle partially open during starting and switches the engine's ignition off and stops the engine.
- 14. **Stop switch.**
Switches the engine's ignition system off and stops the engine.
- 15. **Handle hose.**
For holding machine during starting and cutting work.



Versions with loop handle and loop handle with standoff lever

- 1 = Loop handle
- 2 = Standoff lever
- 3 = Stop switch ¹⁾
- 4 = Throttle trigger interlock ²⁾
- 5 = Starter grip
- 6 = Spark plug terminal
- 7 = Carburetor adjusting screws
- 8 = Fuel filler cap
- 9 = Machine support
- 10 = Throttle cable
- 11 = Handle hose
- 12 = Throttle trigger
- 13 = Clamp (Harness) ²⁾

343BA059 K



All versions

- 14 = Fuel pump
- 15 = Air filter cover / choke
- 16 = Muffler
- 17 = Deflector
(version for all cutting tools)
- 18 = Skirt
- 19 = Line limiting blade
(STIHL "Supercut 20-1")
- 20 = Cutting tool

¹⁾ Position varies according to country-specific requirements
²⁾ Not all markets

Definitions

- 1. Loop handle.**
To hold the brushcutter with both hands.
- 2. Standoff lever.**
Helps keep unit at a safe distance from operator's feet and legs.
- 3. Stop switch.**
Switches the engine's ignition system off and stops the running engine.
- 4. Throttle trigger interlock.**
Must be depressed before the throttle trigger can be activated.
- 5. Starter grip.**
The grip of the pull starter, which is the device to start the engine.
- 6. Spark plug terminal.**
Connects the spark plug to the ignition wire.
- 7. Carburetor adjusting screws.**
For tuning carburetor.
- 8. Fuel filler cap.**
For closing the fuel tank.
- 9. Machine support.**
For resting machine on the ground.
- 10. Throttle cable.**
Connect operator's control grip to the powerhead.
- 11. Handle hose.**
For holding machine during starting and cutting work.
- 12. Throttle trigger.**
Controls the speed of the engine.
- 13. Clamp.**
The device to connect the brushcutter to the harness.
- 14. Fuel pump.**
Provides additional fuel feed for a cold start.
- 15. Air filter cover/ Choke.**
Covers the air filter element. Eases engine starting by enriching mixture.
- 16. Muffler.**
Attenuates exhaust noises and diverts exhaust gases away from operator.
- 17. Deflector with Skirt.**
The deflector is designed to reduce the risk of injury from foreign objects flung backwards toward the operator by the cutting tool and from contact with the cutting tool.
- 18. Skirt.**
The skirt at the bottom of the deflector must be adjusted as described in the chapters on mounting the various cutting tools.
- 19. Line limiting blade.**
Metal blade at the skirt in order to keep the line of the cutting head at the proper length.
- 20. Cutting tool.**
The cutting attachment, i. e. blade, made from metal for different purposes (special accessory).

Safety Precautions and Working Techniques



Warning!

Because a brushcutter is a high-speed, fast-cutting power tool, special safety precautions must be observed to reduce the risk of personal injury.



It is important that you read, fully understand and observe the following safety precautions and warnings. Read the owner's manual and the safety instructions periodically. Careless or improper use of any brushcutter may cause serious or fatal injury.

Have your STIHL dealer show you how to operate your brushcutter. Observe all applicable local safety regulations, standards and ordinances.

Warning!

The use of any brushcutter may be hazardous. If the rotating cutting tool comes in contact with your body, it will cut you. When it comes in contact with solid foreign objects such as rocks or bits of metal, it may fling them directly or by ricochet in the direction of bystanders or the operator.

Striking such objects could damage the cutting attachment and may cause blades to crack, chip or break. STIHL does not recommend the use of rigid blades when cutting in stony areas. Thrown objects or damaged blades may result in serious or fatal injury to the operator or bystanders.

6



Warning!

Minors should never be allowed to use a brushcutter. Bystanders, especially children, and animals should not be allowed in the area where a brushcutter is in use.

Never let the brushcutter run unattended.

Warning!

Do not lend or rent your brushcutter without the owner's manual. Be sure that anyone using your brushcutter understands the information contained in this manual.



Most of these safety precautions and warnings apply to the use of all STIHL brushcutters. Different models may have different parts and controls. See the appropriate section of your owner's manual for a description of the controls and function of the parts of your model brushcutter.

Safe use of a brushcutter involves

1. the operator
2. the brushcutter
3. the use of the brushcutter.

THE OPERATOR!

Physical Condition

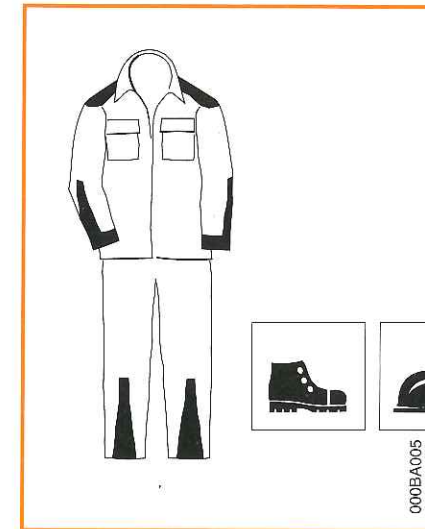
You must be in good physical condition and mental health and not under the influence of any substance (drugs, alcohol, etc.) which might impair vision, dexterity or judgment. Do not operate a brushcutter when you are fatigued.

Be alert - if you get tired while operating your brushcutter, take a break. Tiredness may result in loss of control. Working with any brushcutter can be strenuous. If you have any condition that might be aggravated by strenuous work, check with your doctor before operating a brushcutter.

Prolonged use of a brushcutter (or other machines) exposing the operator to vibrations may produce whitefinger disease (Raynaud's phenomenon) or carpal tunnel syndrome. These conditions reduce the hand's ability to feel and regulate temperature, produce numbness and burning sensations and may cause nerve and circulation damage and tissue necrosis.

Warning!

Antivibration systems do not guarantee that you will not sustain whitefinger disease or carpal tunnel syndrome. Therefore, continual and regular users should monitor closely the condition of their hands and fingers. If any of the above symptoms appear, seek medical advice immediately.



To reduce the risk of injury to your face STIHL recommends that you also wear a face shield or face screen over your goggles or safety glasses.

Warning!

Brushcutter noise may damage your hearing. Wear sound barriers (ear plugs or ear muffs) to protect your hearing. Continual and regular users should have their hearing checked regularly.

Proper Clothing



Warning!

Brushcutter operation can cause serious injury to eyes, ears and person. The deflector provided with your brushcutter may not protect the operator from all foreign objects (gravel, glass, wire, etc.) thrown by the wheeling cutting attachment. Thrown objects may also ricochet and strike the operator. Therefore, to reduce the risk of injury to your eyes never operate a brushcutter unless wearing goggles or properly fitted safety glasses with adequate top and side protection complying with ANSI Z 87.1 (or your applicable national standard).

Wear proper protective clothing. Protect your hands with gloves when handling the brushcutter and the cutting tool. Heavy-duty, nonslip gloves improve your grip and protect your hands.

Clothing must be sturdy and snug-fitting, but allow complete freedom of movement. Avoid loose-fitting jackets, scarfs, neckties, jewelry, flared or cuffed pants, unconfined long hair or anything that could become caught on branches, brush or moving parts of the unit. Wear long pants made of heavy material to protect your legs. Do not wear shorts.

Good footing is most important in brushcutter work. Wear sturdy boots with nonslip soles. Steel-toed safety boots are recommended. Wear an approved safety hard hat to reduce the risk of injury to your head when there is a danger of head injuries.

7

THE BRUSHCUTTER

For illustrations and definitions of the brushcutter parts see the chapter on "Parts and Controls"!

Warning!

Never modify a brushcutter in any way. Only attachments supplied by STIHL or expressly approved by STIHL for use with the specific STIHL brushcutter models are authorized. Although certain unauthorized attachments are useable for the STIHL brushcutter, their use may, in fact, be extremely dangerous.

THE USE OF THE BRUSHCUTTER

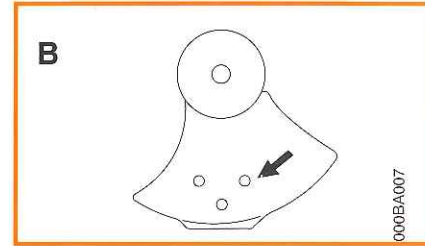
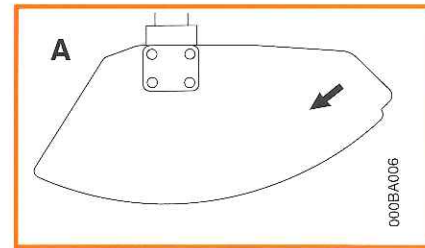
Transporting the brushcutter

Warning!

Always turn off the engine and make sure the cutting attachment has stopped before putting a brushcutter down. When transporting your brushcutter in a vehicle, properly secure it to prevent turnover, fuel spillage and damage to the brushcutter. Keep metal cutting tools covered with the transport guard (optional accessory).

Preparation for the use of the brushcutter

Adjust carrying harness and hand grip to suit your size before starting work. The machine should be properly balanced as specified in your owner's manual for proper control and less fatigue in operation.



Always check your brushcutter for proper condition and operation before starting, particularly the throttle trigger, throttle trigger interlock (if applicable), stop switch, cutting tool, deflector and harness.

Arrows on the deflector (A) and stop (B) show the correct direction of rotation of the cutting tool.

The throttle trigger must move freely and always spring back to the idle position. The cutting tool must be properly tightened and in safe operating condition. Inspect for loose parts (nuts, screws, etc.) and for cracked, bent, warped or damaged blades.



Fueling

Your STIHL brushcutter uses an oil-gasoline mixture for fuel (see the chapter on "Fuel" of your owner's manual).

Warning!

Gasoline is an extremely flammable fuel. If spilled or ignited by a spark or other ignition source, it can cause fire and serious burn injury or property damage. Use extreme caution when handling gasoline or fuel mix.

Do not smoke or bring any fire or flame near the fuel.

Fueling Instructions

Fuel your brushcutter in well-ventilated areas, outdoors.

Warning!

Gasoline vapor pressure may build up inside the gas tank of a two cycle engine depending on the fuel used, the weather condition, and the venting system of the tank. In order to prevent personal injury from escaping gas vapor and fumes, remove the fuel filler cap on your brushcutter carefully so as to allow any pressure build-up in the tank to release slowly. Never remove fuel filler cap while engine is running. Select bare ground for fueling and move at least 10 feet (3 m) from the fueling spot before starting the engine. Wipe off any spilled fuel before starting your brushcutter and check for leakage.

Check for fuel leakage while refueling and during operation. If fuel or oil leakage is found, do not start or run the engine until leak is fixed and spilled fuel has been wiped away. If this happens, change your clothing immediately.



Warning!

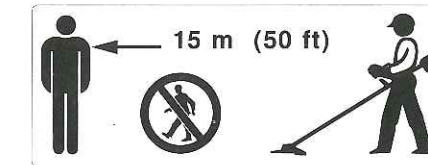
Unit vibrations can cause an improperly tightened fuel cap to loosen or come off and spill quantities of fuel. In order to reduce risk of fuel spillage and fire, tighten fuel cap by hand with as much force as possible. The screw driver end of the STIHL combination wrench or other

similar tool can be used as an aid in tightening slotted fuel caps.

Starting

Warning!

Your brushcutter is a one person machine. Once started it may fling foreign objects for a great distance.



To reduce the risk of eye and other injury insure that bystanders are at least 50 feet (15 m) away. Stop the engine and cutting tool immediately if you are approached. Start and operate your brushcutter without assistance. For specific starting instructions, see the appropriate section of your manual. Place the brushcutter on firm ground or other solid surface in an open area. Maintain a good balance and secure footing.

To reduce the risk of injury from loss of control, be absolutely sure that the cutting tool is clear of you and all other obstructions and objects, including the ground, because when the engine starts at starting-throttle, engine speed will be fast enough for the clutch to engage and turn the cutting tool.

When you pull the starter grip, don't wrap the starter rope around your hand. Do not allow the grip to snap back, but guide the starter rope to rewind properly. Failure to follow this procedure may result in injury to hand or fingers and may damage the starter mechanism.



000BA014

Working Conditions

Operate and start your brushcutter only outdoors in a ventilated area. Operate the brushcutter under good visibility and daylight conditions only. Work carefully.

Always hold the brushcutter firmly with both hands. Wrap your fingers tightly around the handles, keeping the handles cradled between your thumb and forefinger. Keep your hands in this position, to have your brushcutter under control at all times. Make sure your brushcutter handles and grip are in good condition and free of moisture, pitch, oil or grease.



002BA009 K

Warning!

Never attempt to operate any brushcutter with one hand. Loss of control of the unit leading to serious or fatal injury may result. To reduce the risk of bodily injury resulting from loss of control and contact with the cutting tool, make sure your unit is equipped with the proper handle and harness for the type of cutting attachment being used (see chart in chapter on "Selecting the Cutting Tool")

Special care must be taken in slippery conditions (wet ground, snow) and in difficult, over-grown terrain. Watch for hidden obstacles such as tree stumps, roots and ditches to avoid stumbling.



Before cutting, inspect the area for stones, glass, pieces of metal, trash or other solid objects. The cutting attachment could throw objects of this kind.



To reduce the risk of injury from thrown objects and blade contact, never operate your unit without the proper deflector for the cutting attachment being used (see chart in chapter on "Selecting the Cutting Tool"). Make sure the deflector and any skirt is properly mounted and adjusted (see chapter on mounting the various cutting tools of your owner's manual). Do not over-reach. Keep proper footing and balance at all times.

Warning!

This brushcutter is normally to be used at ground level with the cutting attachment parallel to the ground. Use of a brushcutter above ground level or with the cutting attachment perpendicular to the ground may increase the risk of injury, since the cutting attachment is more fully exposed and the brushcutter may be more difficult to control. Never use your brushcutter as a hedge trimmer.

Warning!

When using rigid blades, avoid cutting close to fences, sides of buildings, tree trunks, stones or other such objects that could cause the brushcutter to kick out or could cause damage to the blade. STIHL recommends use of the nylon line heads or Polycut head for such jobs. In addition, be alert to an increased possibility of ricochets in such situations.

Do not operate using the starting throttle lock as you do not have control of the engine speed. See section of your owner's manual on the proper use of the slide control.

If the cutting tool or deflector becomes clogged or stuck, always turn off the engine and make sure the cutting tool has stopped, before cleaning. Grass, weeds, etc. should be cleaned off the cutting tool at regular intervals.

Warning!

During cutting, check the tightness and the condition of the cutting tool at regular intervals. If the behavior of the tool changes, stop the engine immediately, and check the nut securing the tool for tightness and the cutting tool for cracks and damage.

Replace cracked, bent, warped, damaged or dull cutting tools immediately. Such tools may shatter at high speed and cause serious or fatal injury.

Warning!

A loose blade may cause the blade to vibrate, crack, break or come off the brushcutter, which may result in serious or fatal injury. Make sure that the blade is properly tightened. Use the wrench supplied or one of sufficient length to obtain the proper torque. If the blade loosens after being properly tightened, stop work immediately. The retaining nut may be worn or damaged and should be replaced. Never use unauthorized parts to secure the blade. If the blade continues to loosen, see your STIHL dealer. Never use a brushcutter with a loose blade.

Important adjustments

Warning!

To reduce the risk of personal injury from loss of control or contact with the running cutting blade, do not use a cutting blade with incorrect idle adjustment. At correct idle speed, the cutting blade should not move. For directions to adjust idle speed, see the appropriate section of your owner's manual.

If you cannot set the correct idle speed, have your STIHL dealer check your brushcutter and make proper adjustments or repairs.

Warning!

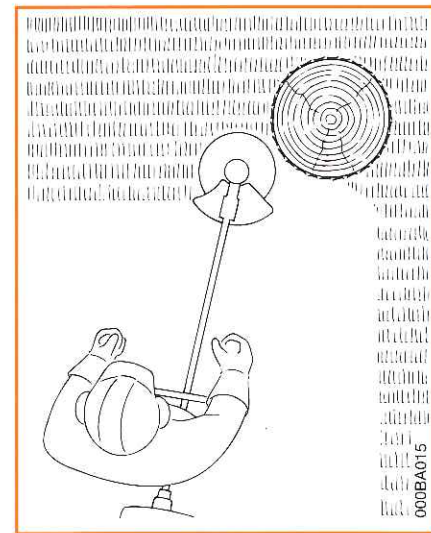
Never touch a rotating cutting tool with your hand or any part of your body. It continues to rotate for a short period after the throttle trigger is released (flywheel effect).

Operating instructions



Warning!

Improper use of any brush-cutter can cause serious or fatal personal injury. Read, understand and follow all safety instructions in your owner's manual before operating these products. To reduce the risk of personal injury to the operator from blade contact and thrown objects, make sure your unit is equipped with the proper deflector, handle and harness for the type of cutting attachment being used (see chart in chapter on "Selecting the Cutting Tool"). Always wear proper eye protection.



Do not cut any material other than grass, brush and wood. The cutting tools may be used only for the operations described in your manual.

With the engine running, attach the brushcutter to the spring hook of your harness (see appropriate chapter of this manual).

USING THE CUTTING TOOLS

For an illustration of the various cutting tools and instructions on proper mounting see the chapter on "mounting the cutting tools" in your owner's manual.

Using the mowing heads

The STIHL Supercut, Autocut, Polymatic and Polycut mowing heads are intended to supplement a lawn mower. They produce a clean and tidy finish.

They are to be used only on brushcutters equipped with a chopper blade in the deflector in order to keep the line at the proper length (see "Parts and Controls" chapter of this manual).

If the lawn edges are planted with trees or bordered by a fence etc., it is best to use a nylon line head. It achieves a "softer" cut with less risk of damaging tree bark than with the polymer blades.

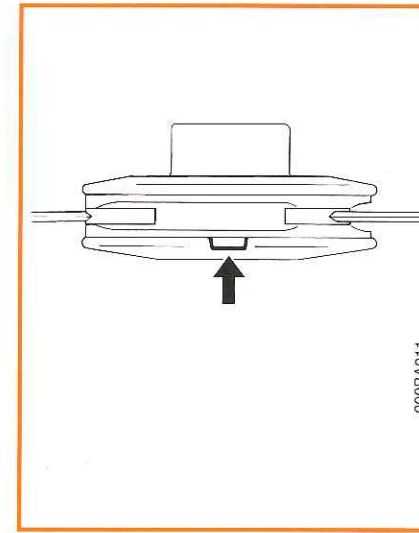
However, the polymer bladed STIHL "Polycut" produces a better cut if there are no plants along the edge of the lawn. Sharpening is not necessary and worn cutting blades are easily replaced.

Warning!

To reduce the risk of serious injury, never use wire or metal-reinforced line or other material in place of the nylon cutting lines. Pieces of wire could break off and be thrown at high speed toward the operator or bystanders.

STIHL "Supercut" mowing head

Fresh line is advanced automatically. Frayed line is replaced by a simple adjustment (see instruction sheet supplied with cutting head).



STIHL "Polymatic" mowing head

Frayed line is replaced by a simple adjustment (see instruction sheet supplied with mowing head).

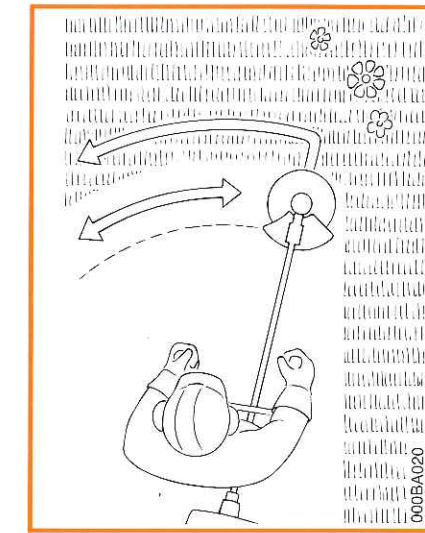
STIHL "Autocut" mowing head

Nylon cutting cord advances automatically when tapped against the ground.

STIHL "Polycut" mowing head

Important!

Three rectangular wear limit marks are applied to the base (periphery) of the Polycut. To reduce the risk of serious injury from breakage of the head or blades, the Polycut must not be used



when it has worn as far as one of these marks. It is important to follow the maintenance instructions supplied with the head!

Using the grass cutting blade

All kinds of grass and weeds can be easily cut with the cutting blade. The brushcutter is swept in an arcsimilar to a scythe.

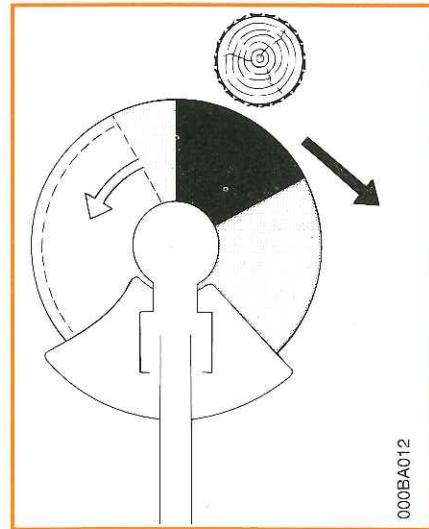
Warning!

To reduce the risk of serious or fatal injury never attempt to cut woody materials.

The **4-tooth** cutting blade is intended to cut grass and weeds. It has 4 cutting knives with cutting edges on both sides, i.e. front and rear.

The **8-tooth** cutting blade is recommended for cutting matted or dry grass, fern or reed.

Both blades have to be resharpened when all cutting edges are dull.



Risk of "kickout" (blade thrust) with all rigid cutting blades

Warning!

Kickout (blade thrust) is the sudden and uncontrolled motion towards the operator's right or rear that can occur when the shaded area of the rotating blade comes in contact with a solid object like a tree, rock, bush or wall. The rapid counterclockwise rotation of the blade may be stopped or slowed, and the cutting attachment may be thrown in an area to the right or to the rear. This kickout (blade thrust) may cause loss of control of the brushcutter and may result in serious or fatal injury to the operator or bystanders.

To reduce the risk, extreme caution should be used when cutting with the shaded area of any rigid blade and never use a rigid blade on a brushcutter with a loop handle.

MAINTENANCE, REPAIR AND STORING

Use only identical STIHL replacement parts for maintenance and repair. Use of parts manufactured by others may cause serious or fatal injury.

Follow the maintenance and repair instructions in the appropriate section of your owner's manual. Please refer to the maintenance chart on the last pages of this manual.

Warning!

Always stop the engine and make sure that the cutting tool is stopped before doing any maintenance or repair work or cleaning the brushcutter. Do not attempt any maintenance or repair work not described in your owner's manual. Have such work performed at your STIHL service shop only.

Never repair damaged cutting attachments by welding, straightening or modifying the shape. This may cause parts of the cutting tool to come off and result in serious or fatal injuries.

Check condition of cutting tool at regular short intervals. If behavior of tool changes, check it immediately for tightness or any signs of cracks in particular. Replace damaged or dull cutting tools immediately, even if they have only superficial cracks. If the blade loosens after being properly tightened, the retaining nut may be worn or damaged and should be replaced. If the blade continues to loosen, see your STIHL dealer. Do not attach any blade to a unit without proper installation of all required parts. Never use unauthorized parts to secure the blade. Failure to use the proper parts may cause the blade to fly off and seriously injure the operator or bystanders.

Check fuel filler cap for leaks at regular intervals. Use the specified spark plug and make sure it and the ignition lead are always in good condition.

Warning!

Do not operate your brushcutter if the muffler is damaged, missing or modified. An improperly maintained muffler will increase the risk of fire and hearing loss. Never touch a hot muffler or burn will result. If your muffler was equipped with a spark-arresting screen to reduce the risk of fire (e.g. in the USA, Canada and Australia), never operate your brushcutter if the screen is missing or damaged. Remember that the risk of forest fires is greater in hot or dry weather.

Warning!

In order to reduce the risk of fire, do not modify or remove any part of the muffler or spark arrestor.

Keep cutting tool sharp. Tighten all nuts, bolts and screws except the carburetor adjustment screws after each use.

Keep spark plug and wire connection tight and clean. The spark plug electrode gap should be checked with a feeler gauge at least every 50 operating hours and reset if necessary. Fit a new spark plug if the electrodes are badly pitted.

Store brushcutter in a dry, high or locked location place and out of reach of children.

Before storing for longer than a few days, always empty the fuel tank.

Warning!

Keep hands and feet away from cutting tool.

Selecting the Cutting Tool

Cutting tools:

- 1 STIHL Supercut 20-1 mowing head
 - 2 STIHL Supercut 20-2 mowing head
 - 3 STIHL Autocut 20-2 mowing head
 - 4 STIHL Autocut 24-2 mowing head
 - 5 STIHL Autocut 25-2 mowing head
 - 6 STIHL Polymatic 30-2 mowing head
 - 7 STIHL Polycut 20-3 mowing head
 - 8 STIHL Fixed Line head
- 9 Grass cutting blade 230-4
 - 10 Grass cutting blade 230-8

Deflectors:

- 11 Deflector for mowing heads
- 12 Deflector for all cutting tools **with**
- 13 Skirt and line limiting blade
- 14 Deflector for all cutting tools **without** skirt and line limiting blade

Handles:

- 15 Loop handle
- 16 Loop handle **with**
- 17 Standoff lever
- 18 J-handle
- 19 Bike handle

Carrying straps:

- 20 Shoulder strap recommended
- 21 Shoulder strap
- 22 Full harness recommended

A fully equipped brushcutter comprises, among other items:

- Cutting tool
- Deflector
- Handle
- Carrying strap

Select the correct combination from the table according to the cutting tool you intend to use:

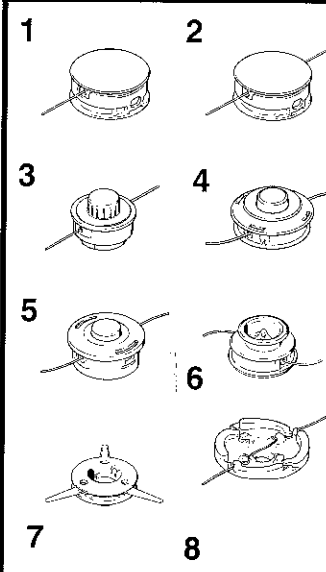
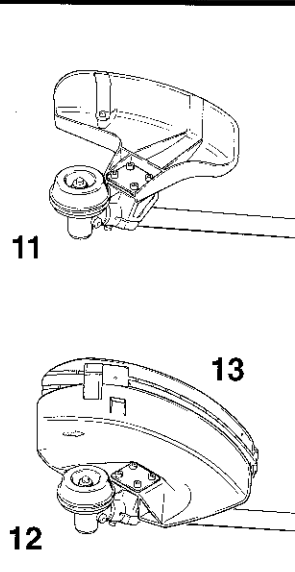
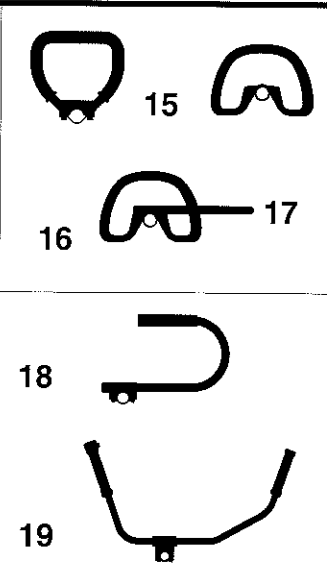
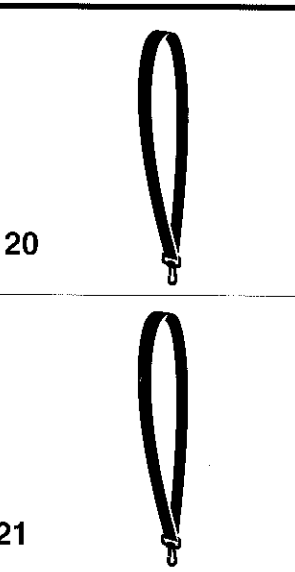
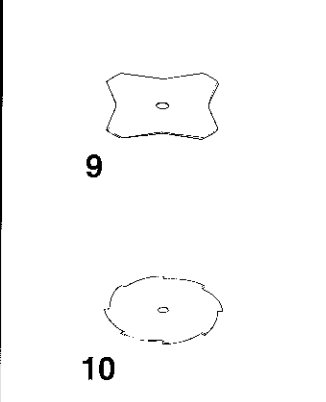
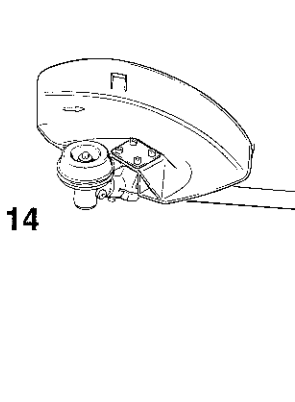
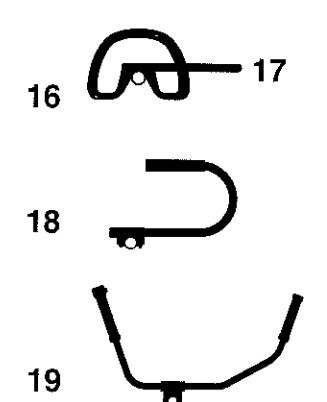
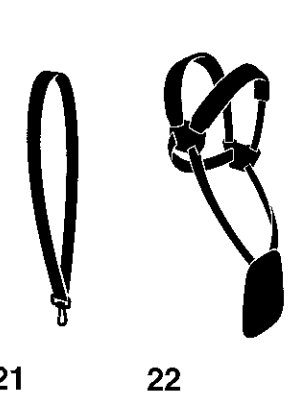
For safety reasons, you may only combine the cutting tool, deflector, handle and carrying strap versions shown when you read **the table horizontally from left to right**.

Other combinations, e.g. reading the table diagonally, are not permitted since there is otherwise a risk of serious injury.

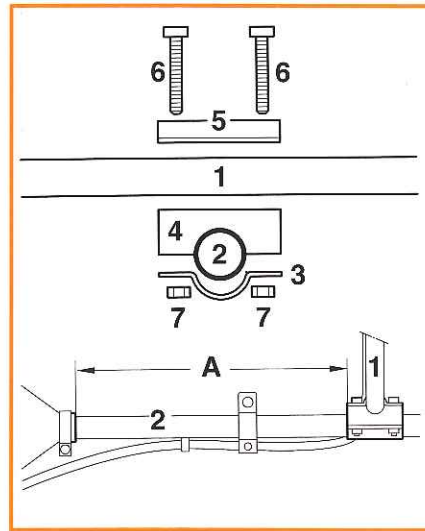
Warning!

STIHL brushcutters with a loop handle **without standoff lever** may be used only with the above-mentioned mowing heads with nylon line or plastic blades.

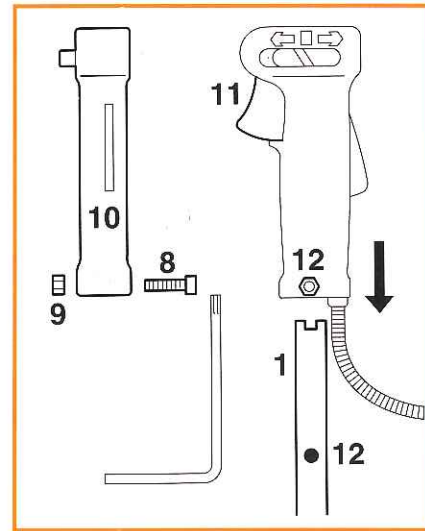
Other plastic or metal cutting tools may only be used on brushcutters with a bike handle, "J"-handle or loop handle **with standoff lever** in order to minimize the risk of personal injury through contact with the cutting tool.

Cutting Tool	Deflector	Handle	Carrying Strap
			
			

Mounting the Bike Handle

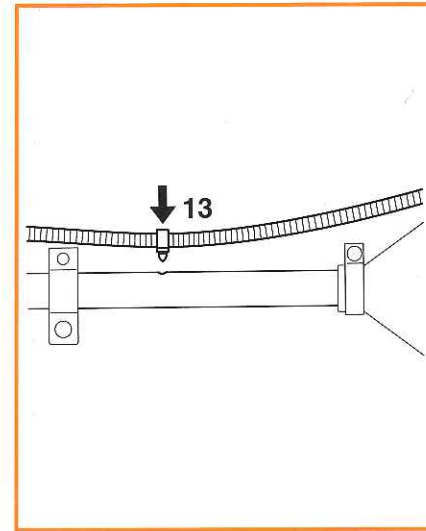


- Mount the bike handle (1) on the drive tube (2) - 30cm/12" (A) forward of the engine.
- Position the clamp (3) and support (4) on the drive tube.
- Place the bike handle (1) in the support so that the molded handle is on the left (looking at handle from engine).
- Fit clamp (5) on support.
- Insert screws (6) in holes.
- Fit nuts (7) on screws - fingertight.
- Line up the bike handle as required.
- Tighten the screws firmly.



Mounting the control handle

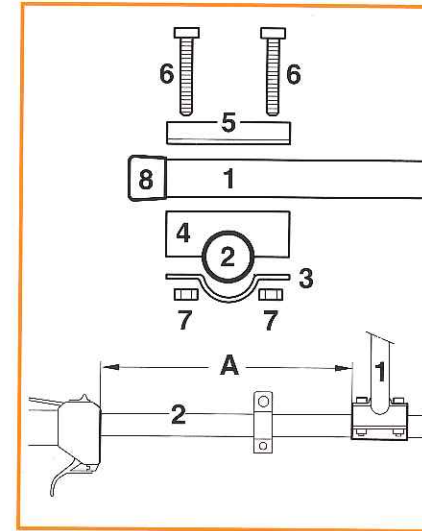
- Remove the screw (8) from the nut (9).
- Take both parts out of the control handle (13).
- Push the control handle onto the bike handle (1) - throttle trigger (11) must point in direction of gear head.
- Line up the holes (12).
- Fit nut and screw in the control handle.
- Tighten the screw firmly.



Securing the throttle cable

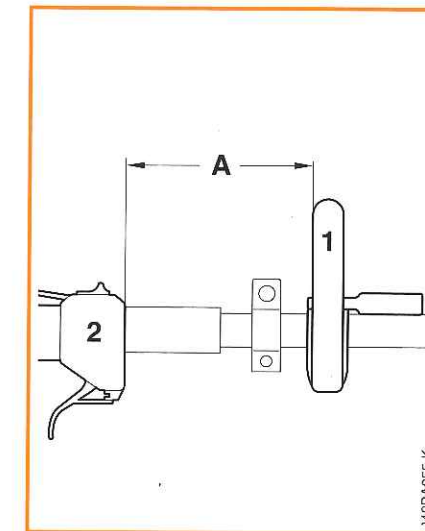
- Lay your brushcutter on its back with the gear gear facing up.
- Push the throttle cable retainers (13) into the holes on the underside of the drive tube.

Mounting the "J" Handle

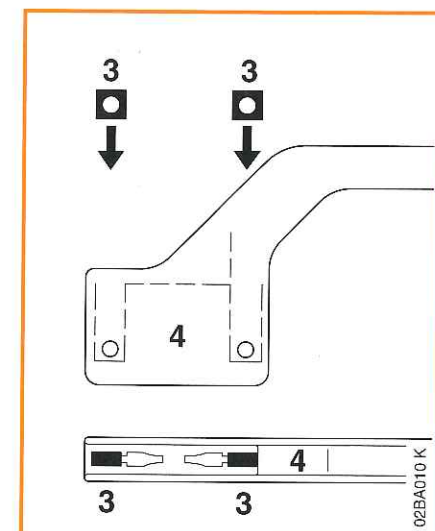


- Mount the "J" handle (1) on the drive tube (2) - 20cm/8" (A) forward of the throttle trigger block.
- Position the clamp (3) and support (4) on the drive tube.
- Place "J" handle (1) in the support - handle must point to left (looking at handle from engine).
- Place clamp (5) on support -
- Insert screws (6) through the parts and fit the nuts - fingertight.
- Locate the plug (8) against the support (4).
- Line up the "J" handle as required.
- Tighten the screws firmly.

Mounting Loop Handle with Standoff Lever

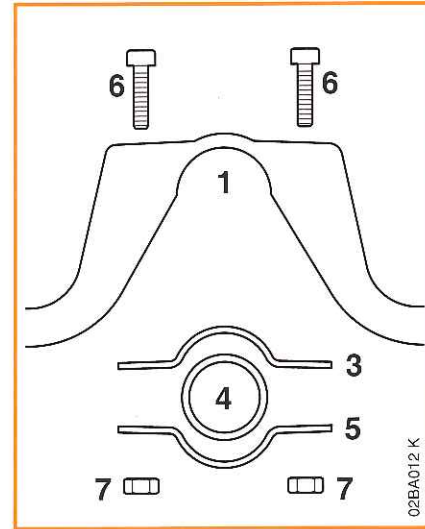
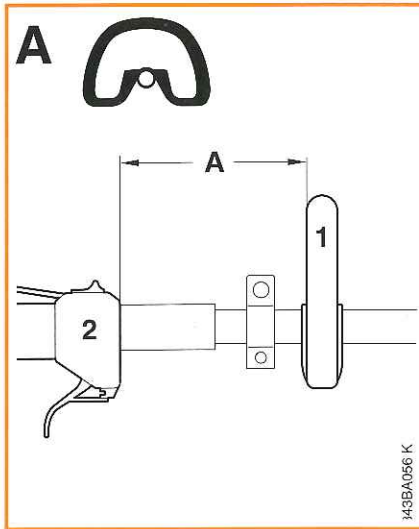
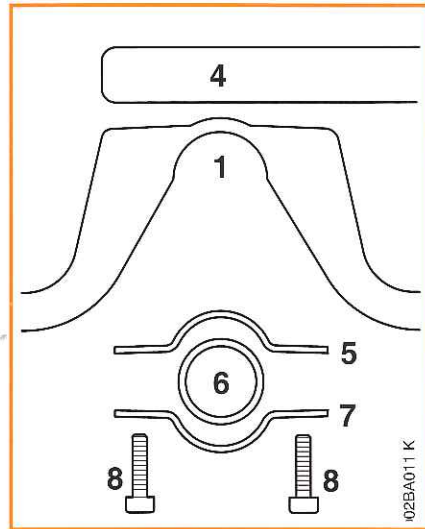


- Mount the loop handle (1) with standoff lever 20 cm/8" (A) forward of the control handle (2).



- Insert square nuts (3) in the standoff lever (4) - line up the holes.

Mounting the Loop Handle Version A

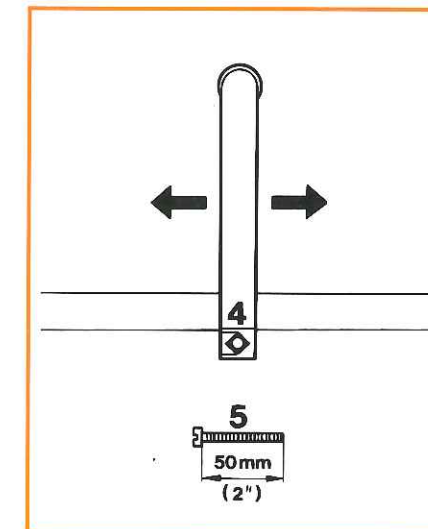
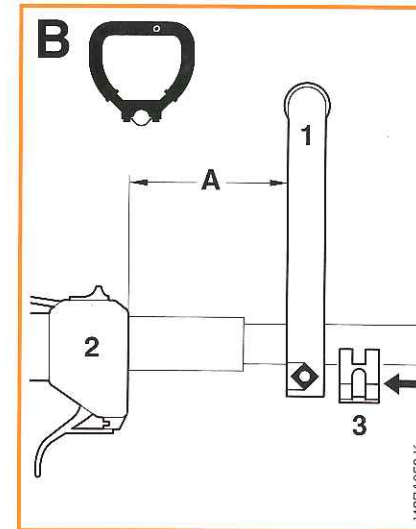


- Place the clamp (5) in the loop handle (1) and position them both against the drive tube (6).
- Fit the clamp (7) and place standoff lever (4) in position - line up the holes.
- Insert screws (8) in holes and screw them into standoff lever fingertight.
- Align the loop handle.
- Tighten the screws firmly.

- Mount the loop handle (1) 20 cm/8" (A) forward of the control handle (2).

- Place the clamp (3) in the loop handle (1) and position them both against the drive tube (4).
- Fit the clamp (5) - line up the holes.
- Insert screws (6) in holes and screw on the nuts (7) fingertight.
- Align the loop handle.
- Lock the nuts and tighten the screws firmly.

Mounting the Loop Handle Version B



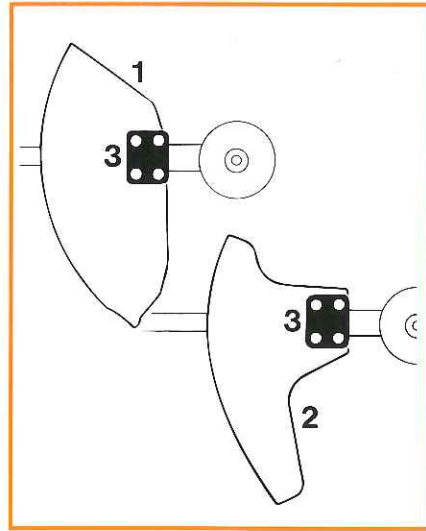
- Mount the loop handle (1) on the drive tube - 15cm/6" (A) forward of the control handle (2).
- Position clamp (3) against the drive tube and slide it into the loop handle.

- Fit square nut (4) in the loop handle.
- Insert the clamp screw (5) from the other side and tighten down securely.

Adjusting loop handle to most comfortable position:

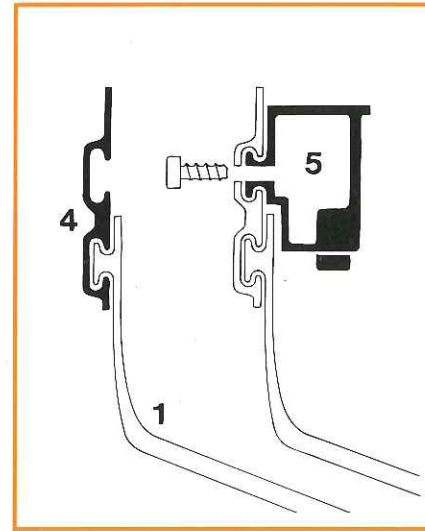
- Release clamp screw (5).
- Move the loop handle along the drive tube as required and then tighten the clamp screw.

Mounting the Deflector



Mounting the deflector

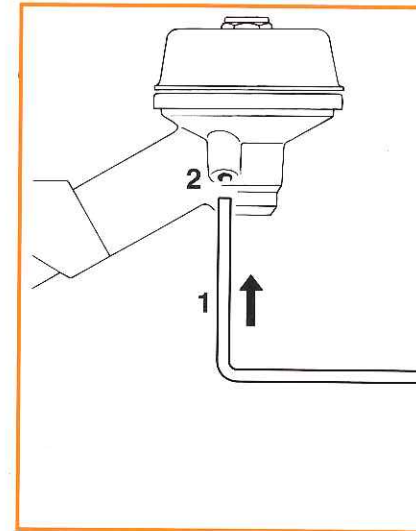
- Place either deflector (1) for all cutting tools or deflector (2) for mowing heads on the gearhead flange.
- Fit the plate (3) and line it up.
- Insert M 5 x 18 screws and tighten down securely.



Fitting skirt and blade

- Slide the **lower** guide slot of the skirt (4) over the deflector (1) - it must snap into position.
- Push blade (5) into the **upper** guide on the skirt and line it up with the first hole.
- Fit the screw and tighten it down firmly.

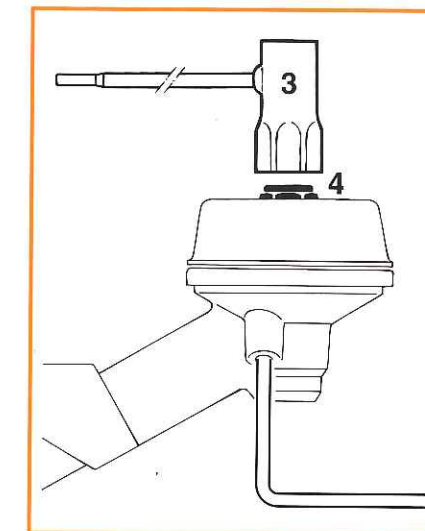
Mounting the Cutting Tools



Lay your brushcutter on its back with the gear head facing up.

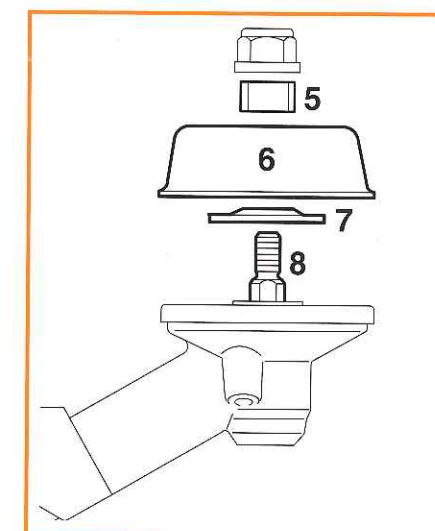
Blocking the output shaft

- Insert stop pin (1) in the bore (2) at the side of the gear head as far as stop - apply slight pressure.
- Rotate output shaft until the stop pin slips into position and blocks the shaft.

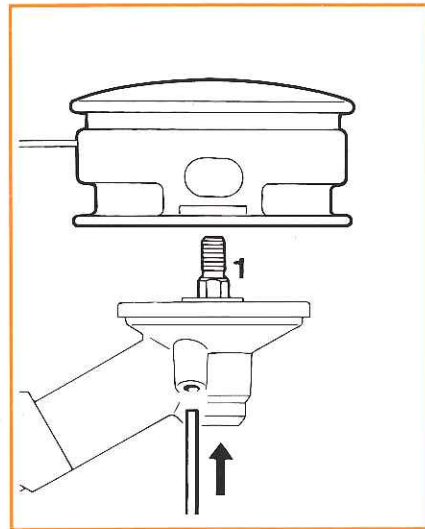


Removing cutting tool mounting hardware

- Position combination wrench (3) on the mounting nut (4).
- Release and unscrew the nut clockwise (left-hand thread).



- Remove shipping keeper (5) - if fitted.
- Pull the rider plate (6) and thrust washer (7) off the shaft (8).
- Now fit the cutting tool.



**STIHL Supercut 20-1
STIHL Supercut 20-2**

- Lay your brushcutter on its back with the gear head facing up.
 - Screw mowing head counterclockwise onto the output shaft (1) - as far as it will go.
 - Block the output shaft.
 - Tighten down the mowing head securely.
- Important!**
Remove the stop pin.

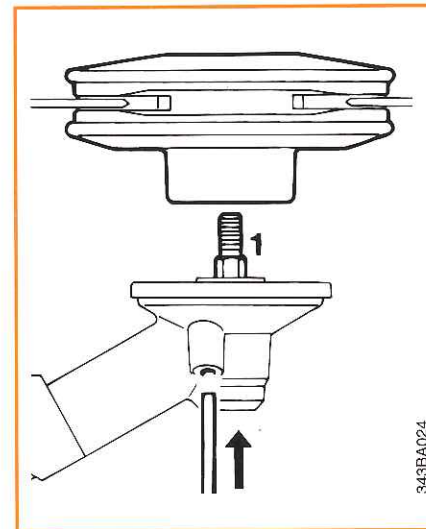
Keep instruction sheet for mowing head in a safe place.

Removing mowing head

- Block the output shaft -
- unscrew mowing head clockwise.

Adjusting nylon line

- Fresh line is advanced automatically, providing at least **6cm/2.4"** of line is still projecting from the head. Blade on deflector trims surplus line to correct length.
- Fit new nylon line as described in instructions supplied with mowing head.



STIHL Polycut 20-3

- Lay your brushcutter on its back with the gear head facing up.
 - Screw mowing head counterclockwise onto the output shaft (1) - as far as it will go.
 - Block the output shaft.
 - Tighten down the mowing head securely.
- Important!**
Remove the stop pin.

Keep instruction sheet for mowing head in a safe place.

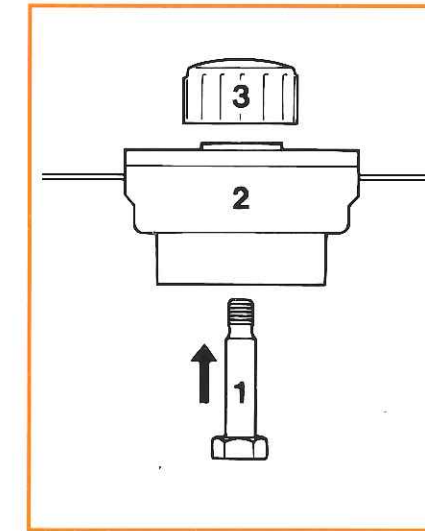
343BA024

Removing mowing head

- Block the output shaft -
- unscrew mowing head clockwise.

Replacing cutting blades

- Refer to instruction sheet supplied with mowing head.



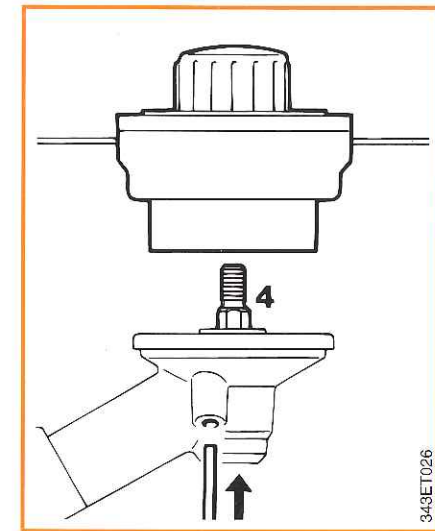
**STIHL Autocut 20-2
STIHL Autocut 25-2**

Assembling STIHL Autocut 20-2

- Push the bolt (1) into the mowing head (2) and engage it in the hexagon recess.
- Screw the cap (3) counterclockwise on to the bolt and tighten it down securely.

Keep instruction sheet for mowing head in a safe place.

343BA025



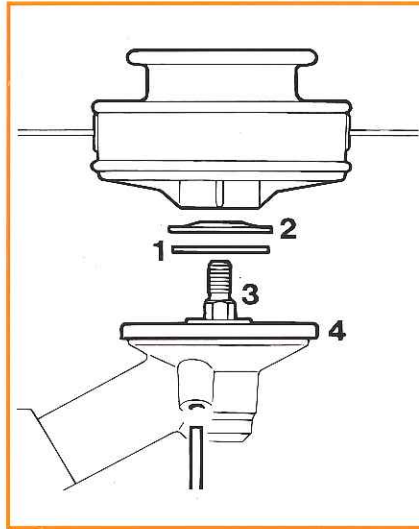
Mounting the mowing head

- Lay your brushcutter on its back with the gear head facing up.
 - Screw mowing head counterclockwise onto the output shaft (4) - as far as it will go.
 - Block the output shaft.
 - Tighten down the mowing head securely.
- Important!**
Remove the stop pin.

Removing mowing head

- Block the output shaft -
- unscrew mowing head clockwise.

343ET026



Adjusting nylon line

- Hold the rotating mowing head horizontal above the ground - tap it on the ground - **about 3cm/1 1/4"** fresh line is advanced - blade on deflector trims surplus line to the correct length - avoid tapping head more than once.
- Line feed operates only if both lines still have a **minimum length of 2.5cm/1"**.
- Fit new nylon line as described in instructions supplied with mowing head.

STIHL Polymatic 30-2 STIHL Autocut 24-2

- Lay your brushcutter on its back with the gear head facing up.
 - Slip the plain washer (1) and thrust washer (2) over the shaft (3) and against the thrust plate (4).
 - Screw mowing head counterclockwise onto the output shaft - as far as it will go.
 - Block the output shaft.
 - Tighten down the mowing head securely.
- Important!**
Remove the stop pin.

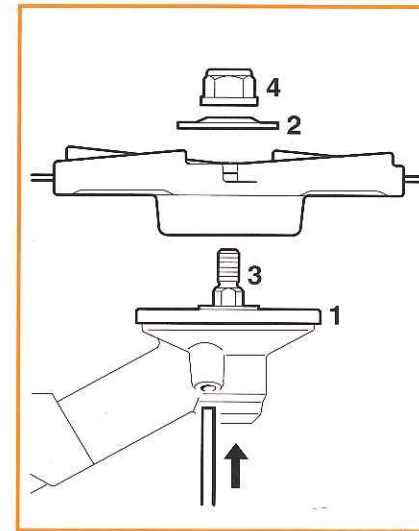
Keep instruction sheet for mowing head in a safe place.

Removing mowing head

- Block the output shaft - unscrew mowing head clockwise.

Adjusting nylon line

- Refer to instruction sheet supplied with mowing head.



STIHL Fixed Line Head

- Lay your brushcutter on its back with the gear head facing up.
 - Position the head on the thrust plate (1).
 - Slip the thrust washer (2) over the output shaft (3).
 - Block the output shaft.
 - Screw mounting nut (4) counterclockwise on to the output shaft and tighten it down firmly.
- Important!**
Remove the stop pin.

Keep instruction sheet for mowing head in a safe place.

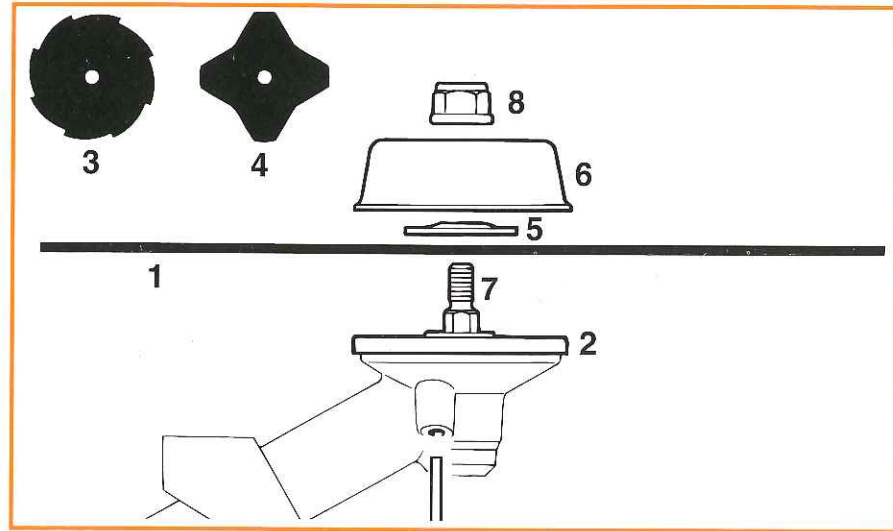
Releasing mounting nut

- Block the output shaft and unscrew the mounting nut clockwise.

If the mounting nut becomes slack due to frequent loosening and retightening, fit a new one.

Fitting nylon line

- Refer to instruction sheet supplied with fixed line head.



Grass cutting blade 230

Note: Remove skirt and blade from deflector before mounting this cutting tool.

- Lay your brushcutter on its back with the gear head facing up.
- Place cutting tool (1) on the thrust plate (2).
- Cutting edges of blade 230-8 (3) must point clockwise.
- Cutting blade 230-4 (4) may be fitted either way round.

- Slip the thrust washer (5) and rider plate (6) over the output shaft (7).
- Block the output shaft.
- Screw mounting nut (8) counterclockwise on to output shaft and tighten down securely.
Important! Remove the stop pin.

Releasing mounting nut

- Block the output shaft and unscrew the mounting nut clockwise.

If the mounting nut becomes slack due to frequent loosening and retightening, fit a new one.

Your two-stroke engine requires a mixture of brand-name gasoline and quality two-stroke engine oil with the **classification TC**.

Use regular branded unleaded gasoline with a minimum octane number of 90 ROZ (U.S.A./Canada: pump octane min. 89!). If the octane number of the regular grade gasoline in your area is lower use premium unleaded fuel. Fuel with a lower octane number may result in preignition (causing pinging) which is accompanied by an increase in engine temperature. This, in turn, increases the risk of the piston seizure and damage to the engine.

The chemical composition of the fuel is also important. Some fuel additives not

only detrimentally affect elastomers (carburetor diaphragms, oil seals, fuel lines etc.), but magnesium castings as well. This could cause running problems or even damage the engine. For this reason it is essential that you use only name branded fuels!

Use only STIHL two-stroke engine oil or equivalent branded two-stroke air-cooled engine oils with the classification TC for mixing.

We recommend STIHL 50:1 two-stroke engine oil since it is specially formulated for use in STIHL engines. The mix ratio with STIHL oil is 50:1 (50 parts gasoline to 1 part oil), or 25:1 (25 parts gasoline to 1 part oil) with other branded two-stroke-air-cooled engine oils.

Do not use BIA or TCW (two-stroke water cooled) mix oils! Take care when handling gasoline. Avoid direct contact with the skin and avoid inhaling fuel vapour.

The canister should be kept tightly closed in order to avoid any moisture getting into the mixture. The fuel tank and the canister in which fuel mix is stored should be cleaned from time to time.

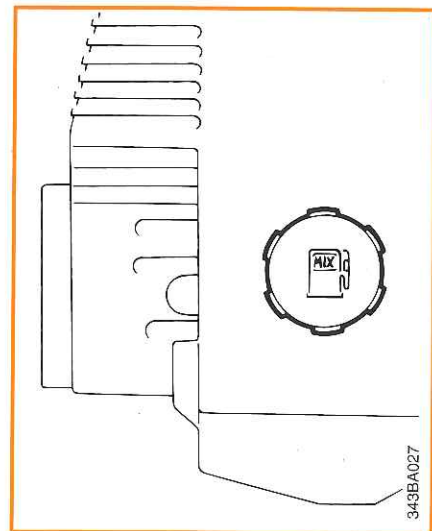
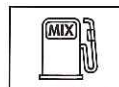
Fuel mix ages:

Only mix sufficient fuel for a few days work, not to exceed 30 days of storage. Store in approved safety fuel-canisters only. When mixing, pour oil into the canister first, and then add gasoline.

Gasoline	STIHL engine oil 50:1	Other branded TC oils 25:1
Liters	Liters (cc)	Liters (cc)
1	0.02 (20)	0.04 (40)
5	0.10 (100)	0.2 (200)
10	0.20 (200)	0.4 (400)
15	0.30 (300)	0.6 (600)
20	0.40 (400)	0.8 (800)
25	0.50 (500)	1.0 (1000)

Gasoline	STIHL engine oil 50:1	Other branded TC oils 25:1
US gal.	US fl.oz	US fl.oz
1	2.6	5.1
2 1/2	6.4	12.8
5	12.8	25.6

Fueling

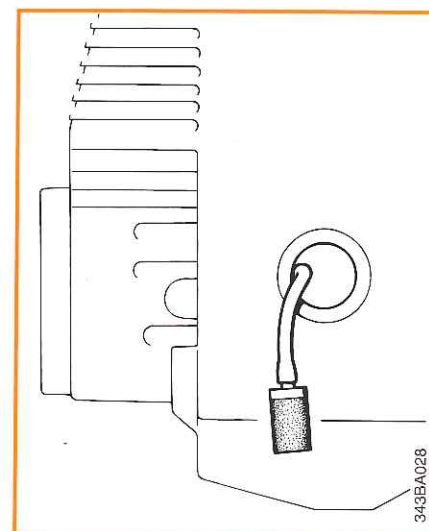


Before fueling, clean the filler cap and the area around it to ensure that no dirt falls into the tank.

Always thoroughly shake the mixture in the canister before fueling your machine.

Warning! In order to reduce the risk of burns or other personal injury from escaping gas vapor and fumes, remove the fuel filler cap carefully so as to allow any pressure build-up in the tank to release slowly.

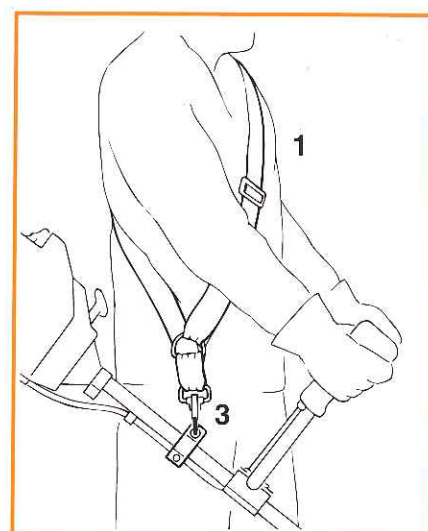
Warning! After fueling, tighten fuel cap as **securely as possible** by hand.



Change the fuel pick up body every year.

Before storing your machine for a long period, drain and clean the fuel tank and run engine until carburetor is dry.

Fitting the Harness *

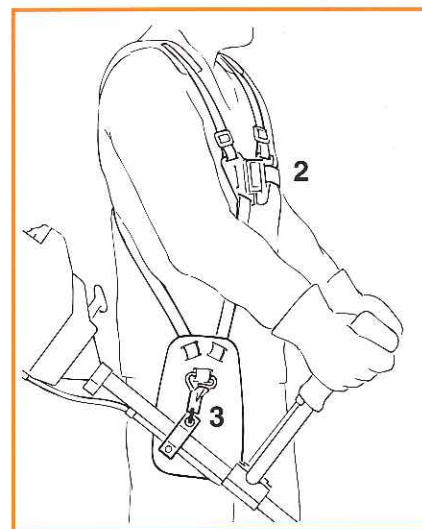


Models with a loop handle come without a harness (available as special accessory for these models).

Shoulder strap

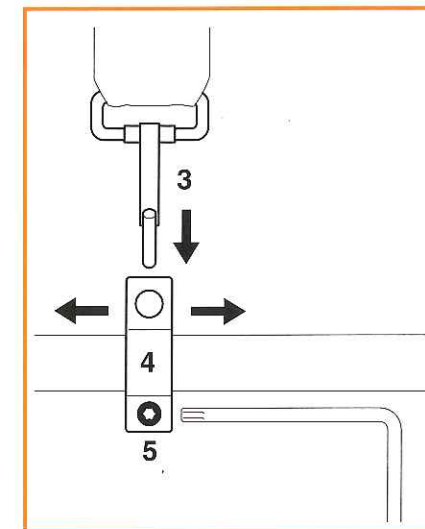
- Put on the shoulder strap (1).
- Adjust length until the spring hook (3) rests against your right hip.

* Special accessory



Full harness

- Put on the full harness (2).
- Adjust length until the spring hook (3) rests against your right hip.



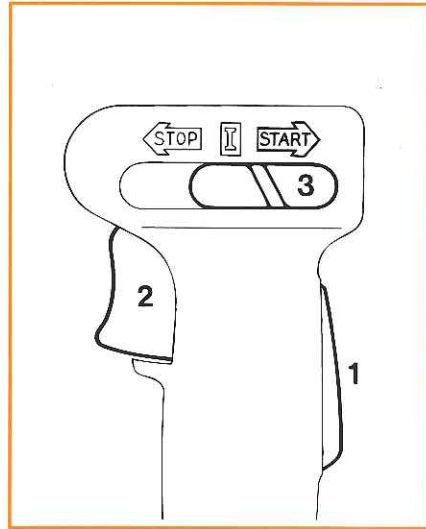
Balancing the brushcutter

- Attach the spring hook (2) to the clamp (3) on the drive shaft. slacken the screw (4).
- Slide the clamp up or down the drive shaft.
- Tighten the screw moderately.

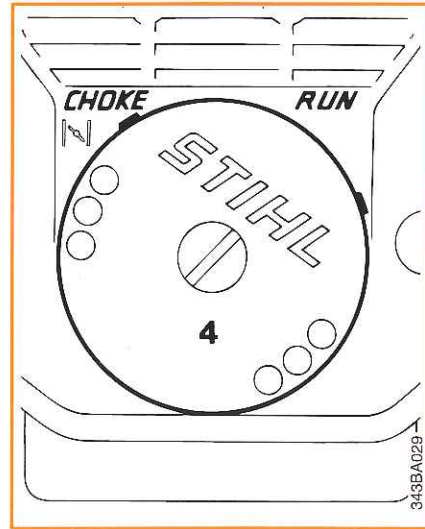


- Let go of the brushcutter and check to see how it is balanced. In normal working position, cutting tool must just touch the ground.
- Tighten the screw firmly.

**Starting -
Version with Bike Handle**



- Observe safety precautions - see chapter "Safety Precautions and Working Techniques".
- Hold down the throttle trigger interlock (1) and squeeze the throttle trigger (2).
- Move the slide control (3) to **START** position.
- Now release the throttle trigger, slide control and trigger interlock in that order = This is the **starting-throttle position**.



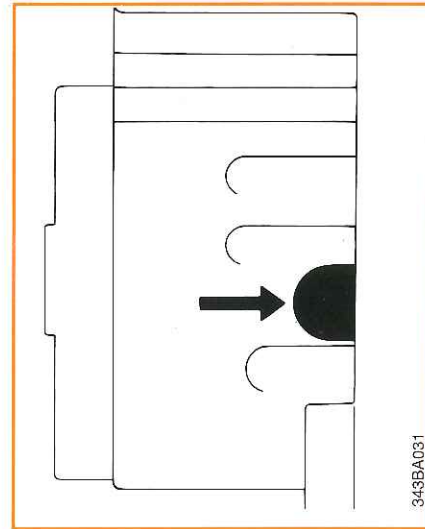
If engine is cold:

- Turn filter cover (4) clockwise to **CHOKE**.

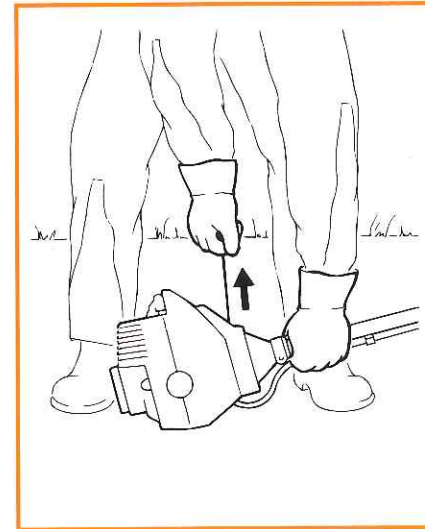
If engine is warm:

- Turn filter cover (4) counterclockwise to **RUN**.

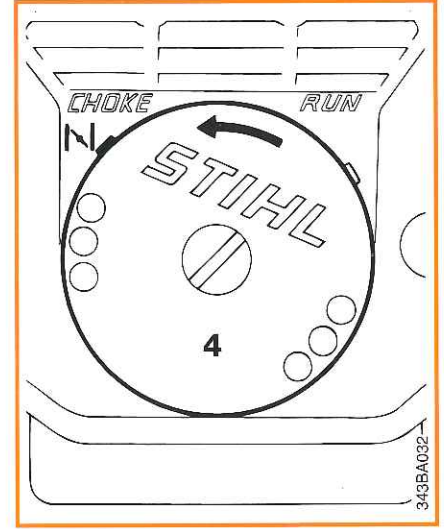
Also use this setting if engine has been running but is still cold.



- Press transparent fuel pump bulb at least five times - it must be filled with fuel.



- Put the unit on the ground: It must rest securely on the engine support and deflector. Check that the cutting tool is not touching the ground or any other obstacles.
- Make sure you have a firm footing: Hold the unit with you left hand and press it down **firmly** - your thumb should be under the drive shaft.
- Do not stand or kneel on the drive shaft!



When engine begins to fire:

If engine is cold:

- Turn filter cover (4) counterclockwise until mark on filter cover points to |>| continue cranking until engine runs.

If engine is warm:

- Continue cranking until engine runs.

- Pull the starter grip slowly with your right hand until you feel it engage - and then give it a brisk strong pull. Do not pull out starter rope more than 70cm (27") - it might break.

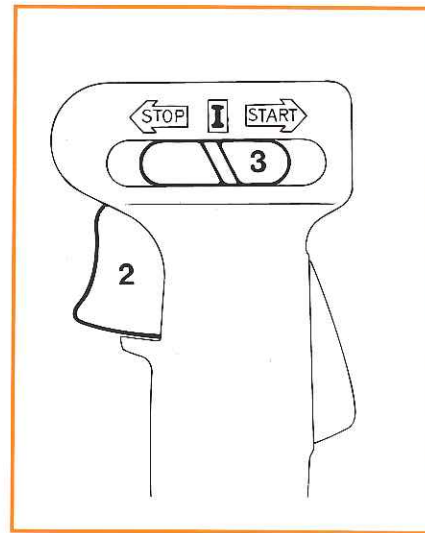
Do not let the starter grip snap back - guide it slowly into the housing so that the starter rope can rewind properly.



As soon as engine runs,

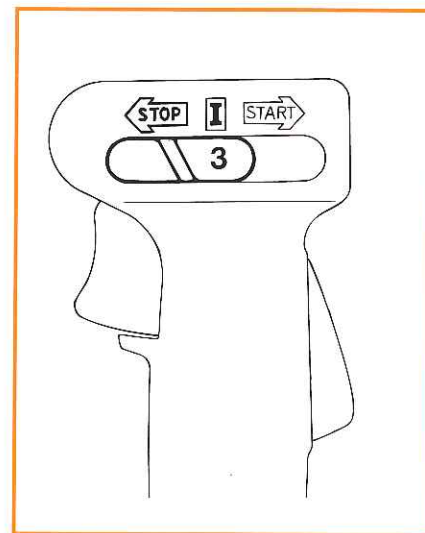
If engine is cold:

- Squeeze the throttle trigger (2) - warm up engine for brief period at full throttle.
- Release throttle trigger - slide control (3) moves to the "Run" position I and the engine returns to idling speed.
- Turn filter cover to **RUN**.



If engine is warm:

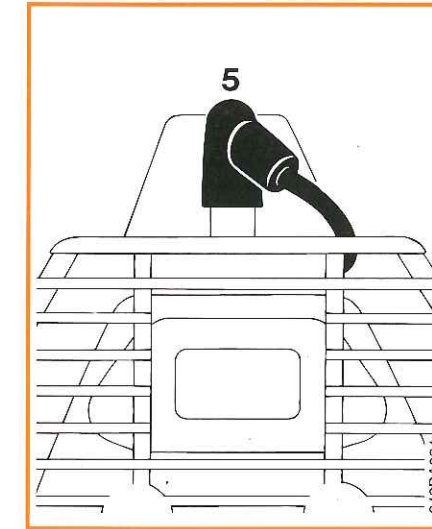
- Blip the throttle trigger (2) - the slide control (3) moves to the "Run" position I and the engine returns to idling speed.



Make sure carburetor is correctly adjusted - cutting tool must not rotate when engine is idling.

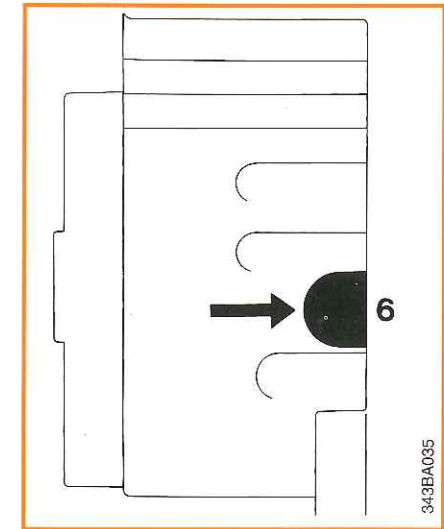
Your brushcutter is ready for operation.

To shut down the engine:
Move slide control (3) to **STOP**.



If the engine doesn't start:

- If you did not turn the filter cover to **RUN** quickly enough after the engine began to fire, the combustion chamber is flooded.
- Remove spark plug terminal (5).
- Unscrew and dry off the spark plug.
- Set slide control to **STOP**.
- Open the throttle fully.
- Pull the starter rope several times to clear the combustion chamber.



- Refit the spark plug and connect the spark plug terminal.
- Set slide control to **START**.
- Turn filter cover to **RUN**, even if engine is cold.
- Now start the engine.

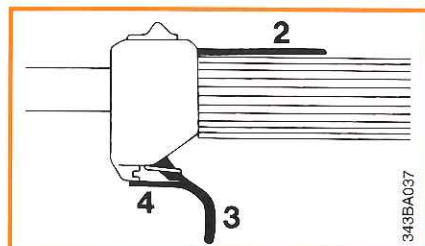
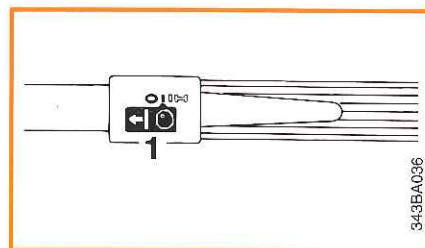
Fuel tank run until dry and then refueled

- Press transparent fuel pump bulb (6) several times - it must be filled with fuel.
- Now start the engine.

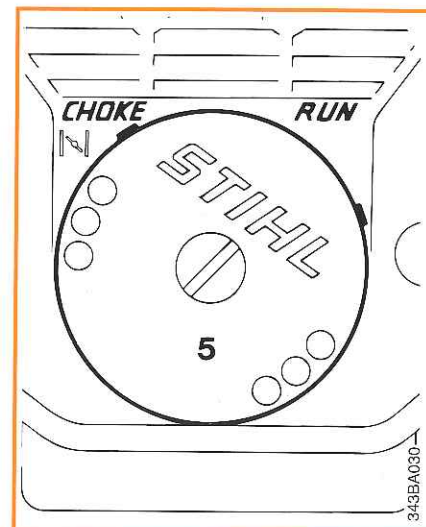
At very low outside temperatures:
Allow engine to warm up

- As soon as engine runs:
- Warm up engine for about 1 minute at full throttle.
 - Release throttle trigger - slide control moves to the "Run" position I and the engine returns to idling speed.
 - Turn filter cover to **RUN**.

Starting - Stop Switch on Throttle Trigger Housing



- Observe safety precautions - see chapter "Safety Precautions".
- Move stop switch (1) to **I**
- Hold down the interlock lever (2), squeeze the throttle trigger (3) and engage the spring lock (4) in the notch (see arrow) on the throttle trigger retainer.
- Let go of the throttle trigger, spring lock and interlock lever in that order. The trigger is now in the **starting throttle position**.



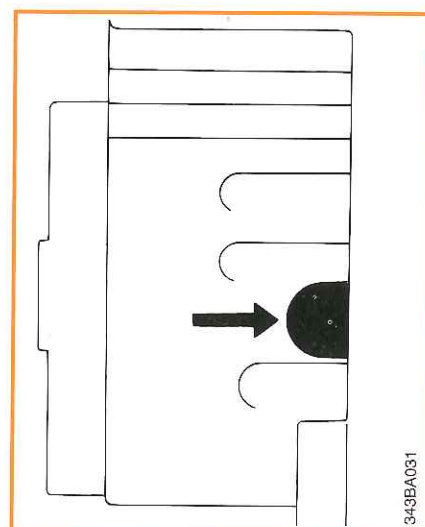
If engine is cold:

- Turn the filter cover (5) clockwise to **CHOKE**.

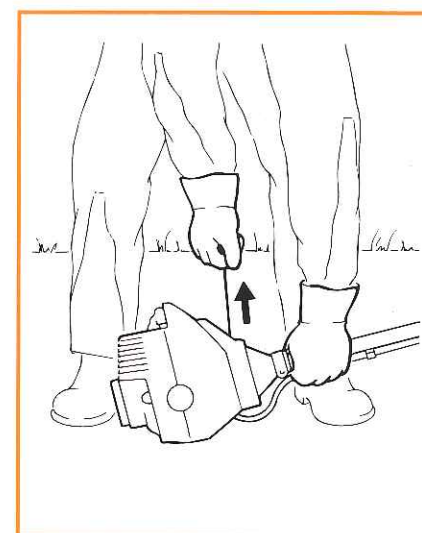
If engine is warm:

- Turn filter cover (5) counterclockwise to **RUN**.

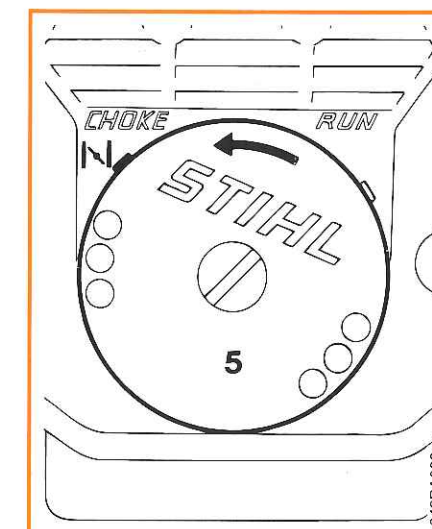
Also use this setting if engine has been running but is still cold.



- Press transparent fuel pump bulb at least five times - it must be filled with fuel.



- Put the unit on the ground: It must rest securely on the engine support and deflector. Check that the cutting tool is not touching the ground or any other obstacles.
- Make sure you have a firm footing: Hold the unit with you left hand around the handle hose (thumb under the handle) and press it down **firmly**.
- Do not stand or kneel on the drive shaft!



When engine begins to fire:

If engine is cold:

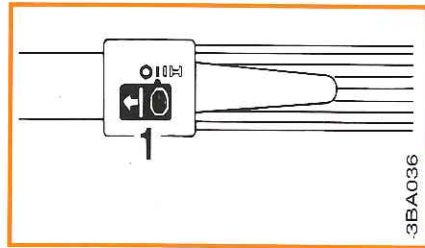
- Turn filter cover (5) counterclockwise to **I** and continue cranking until the engine runs.

If engine is warm:

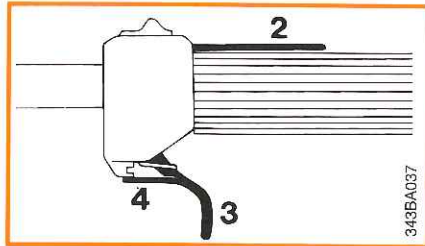
- Continue cranking until the engine runs.

- Pull the starter grip slowly with your right hand until you feel it engage - and then give it a brisk strong pull. Do not pull out starter rope more than 70cm (27") - it might break.

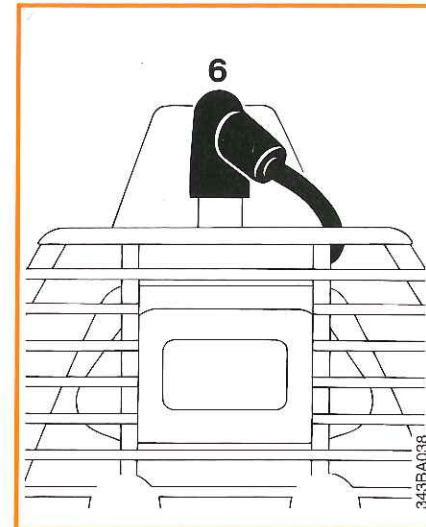
Do not let the starter grip snap back - guide it slowly into the housing so that the starter rope can rewind properly.



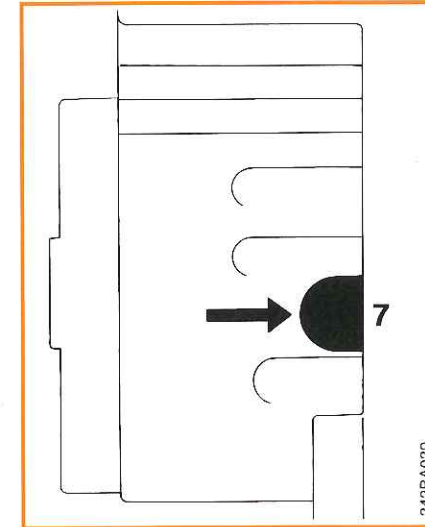
3BA036



343BA037

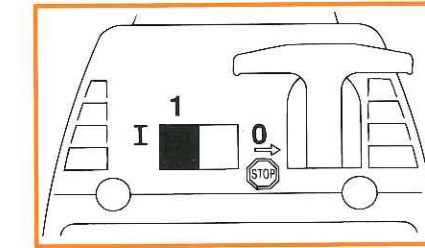


343BA038

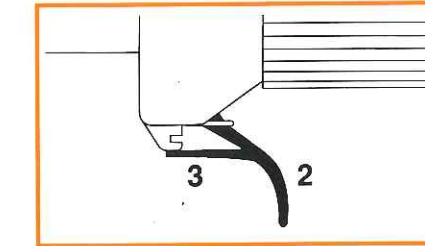


343BA039

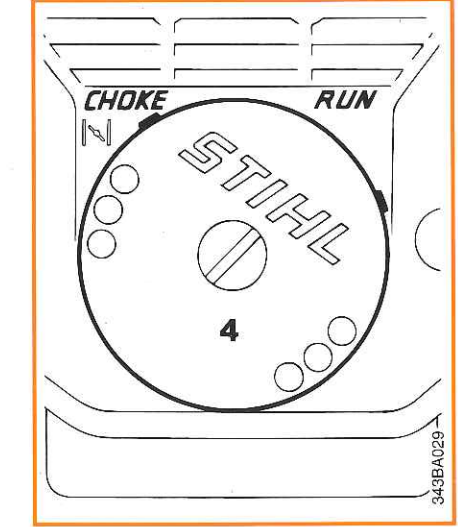
Starting - Stop Switch on Engine Housing



343BA040



343BA042



343BA029

As soon as engine runs:

If engine is cold:

- Hold down interlock lever (2) and warm up engine for brief period at full throttle.
- Release the throttle trigger (3) and turn filter cover to **RUN** so that engine returns to idle speed.

If engine is warm:

- Hold down interlock lever (2) and blip the throttle trigger (3) to disengage the spring lock (4) so that the engine can return to idle speed.

To shut down the engine:

Move stop switch (1) to the **0** position.

Make sure carburetor is correctly adjusted - cutting tool must not rotate when engine is idling.

At very low outside temperatures: Allow engine to warm up

As soon as engine runs:

- Hold down interlock lever - warm up the engine by running it for about 1 minute at full throttle - release the throttle trigger.
- Turn the filter cover to **RUN** so that engine returns to idle speed.

If the engine doesn't start:

- If you did not turn the filter cover to **RUN** quickly enough after the engine began to fire, the combustion chamber is flooded.
- Remove spark plug terminal (6).
- Unscrew and dry off the spark plug.
- Move stop switch to **0** position.
- Hold down interlock lever and open the throttle fully.
- Pull the starter rope several times to clear the combustion chamber.

- Refit the spark plug and connect the spark plug terminal.
- Move stop switch to **I** position.
- Turn filter cover to **RUN** - even if engine is cold.
- Now start the engine.

Fuel tank run until dry and then refueled

- Press transparent fuel pump bulb (7) several times - it must be filled with fuel.
- Now start the engine.

- Observe safety precautions - see chapter "Safety Precautions".
- Move stop switch (1) to **I**
- Squeeze the throttle trigger (2) and engage the spring lock (3) in the notch (see arrow) on the throttle trigger retainer.
- Let go of the throttle trigger and spring lock. The trigger is now in the **starting throttle position**.

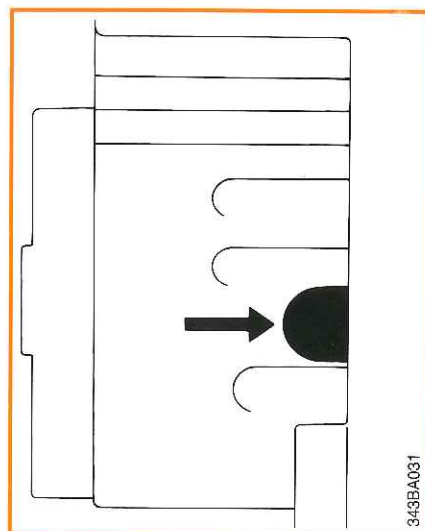
If engine is cold:

- Turn filter cover (4) clockwise to **CHOKE**.

If engine is warm:

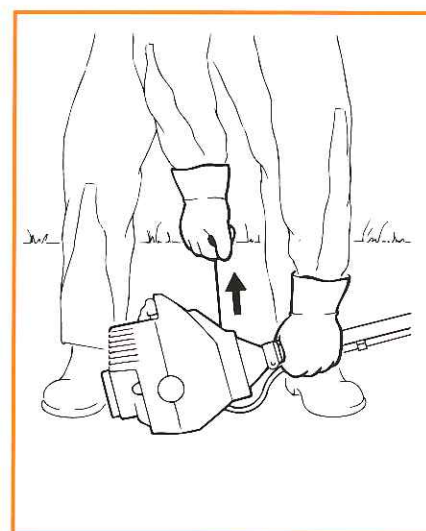
- Turn the filter cover (4) counter-clockwise to **RUN**.

Also use this setting if engine has been running but is still cold.



343BA031

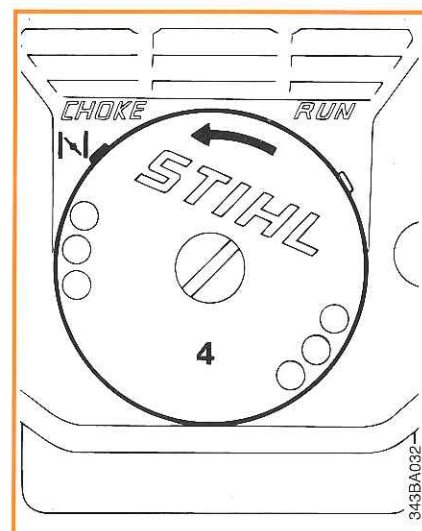
- Press transparent fuel pump bulb at least five times - it must be filled with fuel.



- Put the unit on the ground: It must rest securely on the engine support and deflector. Check that the cutting tool is not touching the ground or any other obstacles.
- Make sure you have a firm footing: Hold the unit with you left hand around the handle hose (thumb under the handle) and press it down **firmly**.
- Do not stand or kneel on the drive shaft!

- Pull the starter grip slowly with your right hand until you feel it engage - and then give it a brisk strong pull. Do not pull out starter rope more than 70cm (27") - it might break.


Do not let the starter grip snap back - guide it slowly into the housing so that the starter rope can rewind properly.



343BA032

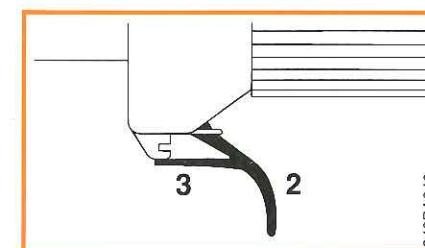
When engine begins to fire:

If engine is cold:

- Turn filter cover (4) counter-clockwise to  and continue cranking until the engine runs.

If engine is warm:

- Continue cranking until the engine runs.



343BA042

As soon as engine runs:


If engine is cold:

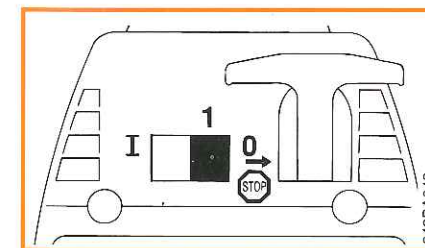
- Warm up engine for brief period at full throttle.
- Release the throttle trigger.
- Turn the filter cover to **RUN** so that engine returns to idle speed.

If engine is warm:

- Blip the throttle trigger (2) to disengage the spring lock (3) so that the engine can return to idle speed.

To shut down the engine:

Move the stop switch (1) to .



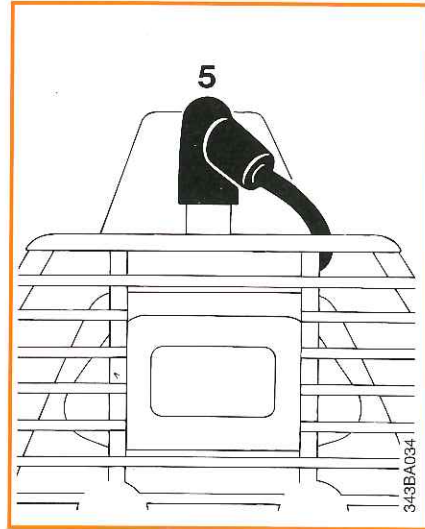
343BA043

Make sure carburetor is correctly adjusted - cutting tool must not rotate when engine is idling.

At very low outside temperatures: Allow engine to warm up

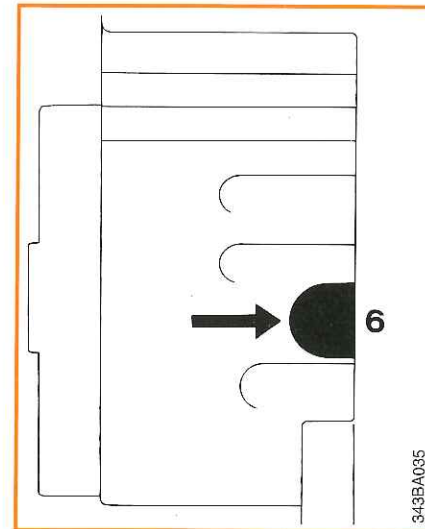
- As soon as engine runs:
- Warm up engine for about 1 minute at full throttle.
 - Release throttle trigger - and turn filter cover to **RUN** so that engine returns to idle speed.

Adjusting Carburetor



If the engine doesn't start:

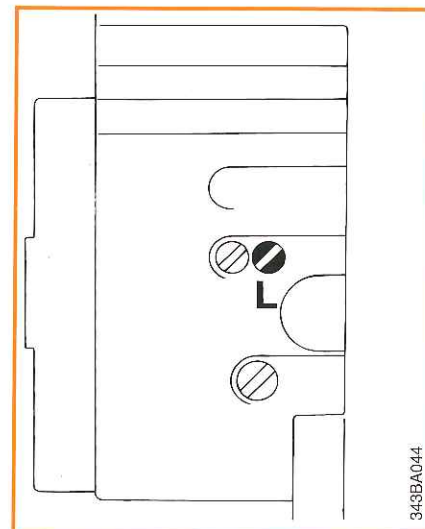
- If you did not turn the filter cover to **RUN** quickly enough after the engine began to fire, the combustion chamber is flooded.
- Remove spark plug terminal (5).
- Unscrew and dry off the spark plug.
- Move stop switch to **I** position.
- Open the throttle fully.
- Pull the starter rope several times to clear the combustion chamber.



- Refit the spark plug and connect the spark plug terminal.
- Set stop switch to **I** position.
- Turn filter cover to **RUN** - even if engine is cold.
- Now start the engine.

Fuel tank run until dry and then refueled

- Press transparent fuel pump bulb (6) several times - it must be filled with fuel.
- Now start the engine.

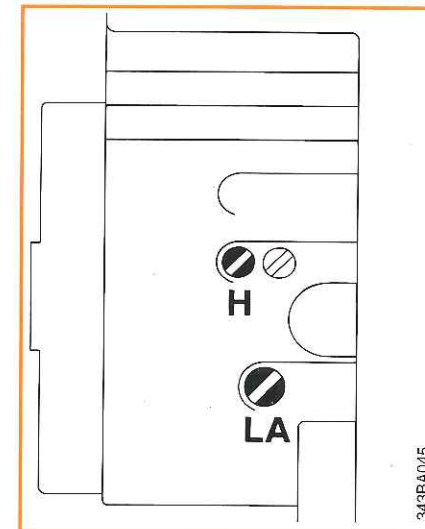


The carburetor has been adjusted for optimum performance under the barometric pressure and climatic conditions at the factory.

Basic setting

This setting is the starting point for fine tuning:

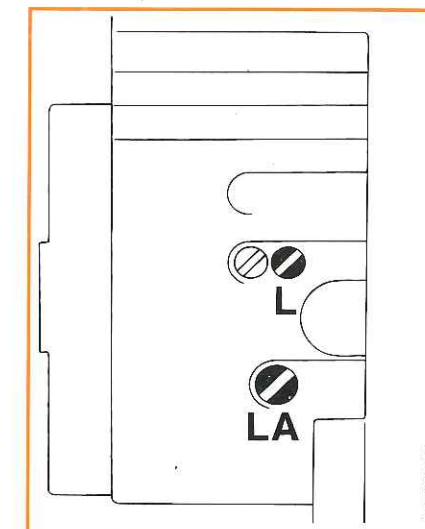
- Check air filter and clean it if necessary.
 - Carefully screw the low speed adjusting screw (L) down onto its seat (clockwise) and make the following adjustment:
- L** Open 1 full turn



- Start the engine and adjust idling speed with the idle speed adjusting screw (LA): cutting tool must not rotate.

- H** Open 1 full turn. This setting **must not** be changed in any way.

This is the optimum setting to ensure that your machine will deliver maximum power, be fuel efficient and operate reliably.

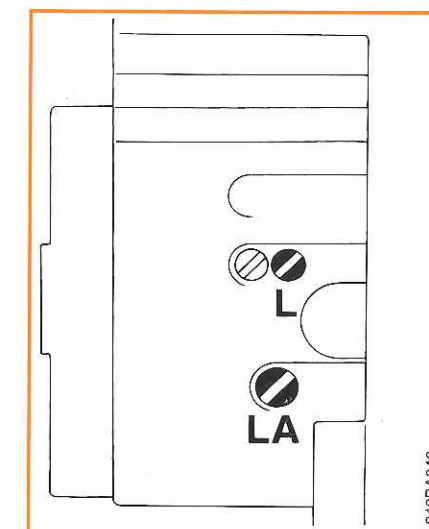


Adjusting idle speed

It is usually necessary to change the setting of the idle speed adjusting screw (LA) after every correction to the low speed adjusting screw (L).

Engine stops while idling

- Turn the idle speed adjusting screw (LA) clockwise until engine runs smoothly - cutting tool must not rotate.



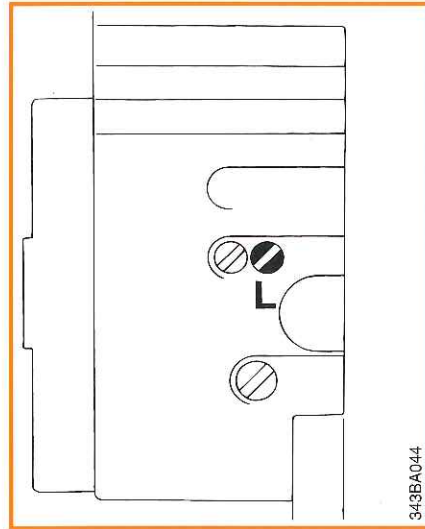
Cutting tool rotates when engine is idling

- Turn the idle speed adjusting screw (LA) counterclockwise until cutting tool stops rotating - then back off screw about another one half turn from that position.

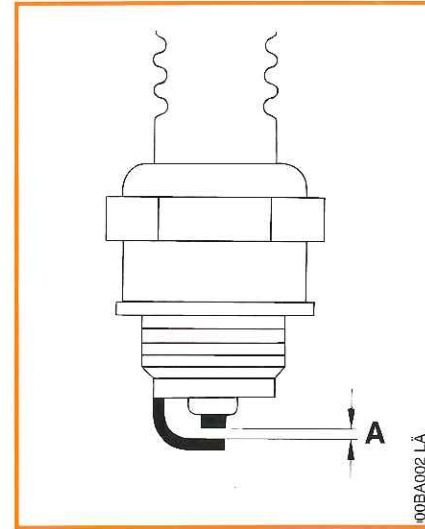
Erratic idling behavior, poor acceleration

- Idle setting is too lean. Turn the low speed adjusting screw (L) counterclockwise until engine runs and accelerates smoothly.

Checking Spark Plug



343BA044



000BA002 LA

Exhaust smokes at idle speed

- Idle setting is too rich. Turn the low speed adjusting screw (**L**) clockwise until engine speed drops. Then turn screw back one quarter turn and check that engine still accelerates smoothly when you open the throttle.

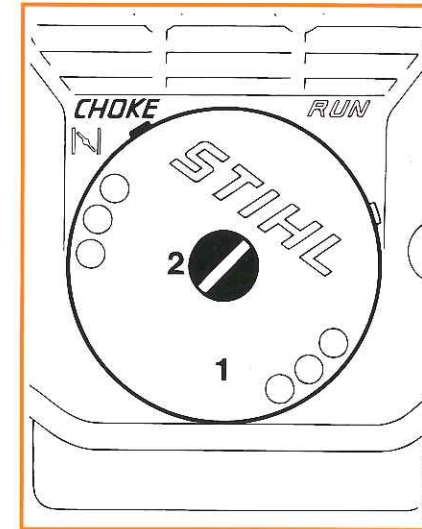
If engine is down on power, difficult to start or runs poorly at idling speed, first check the spark plug.

- Remove spark plug - see "If engine doesn't start:"
 - Clean dirty spark plug.
 - Check electrode gap (**A**) occasionally -
- A** It should be 0.7 - 0.8 mm (about 0.03") - readjust as necessary.
- Use only suppressed spark plugs of the approved type.

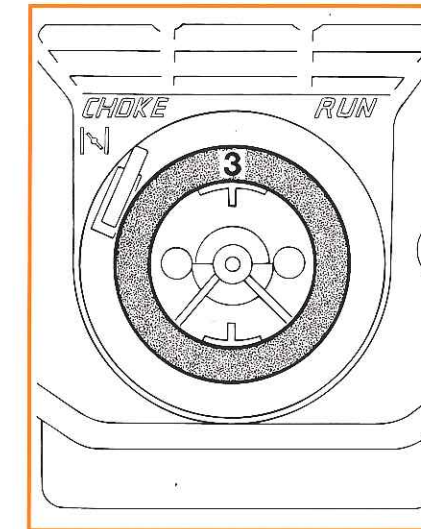
Rectify faults which have caused fouling of spark plug: Incorrect carburetor setting, too much oil in fuel mix, dirty air filter, unfavorable running conditions, e.g. operating at part load.

- **Install a new spark plug after approx. 50 operating hours -** or earlier if the electrodes are badly eroded.

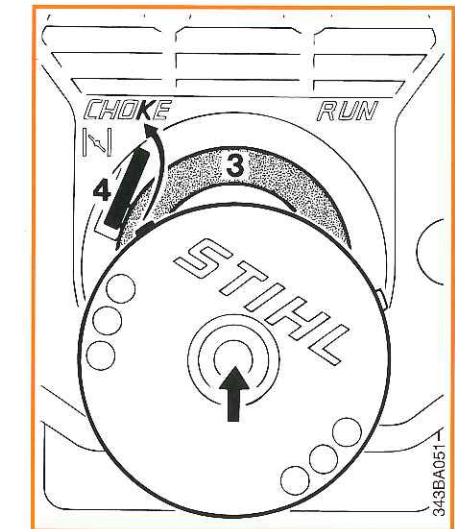
Cleaning Air Filter



343BA049



343BA050



343BA051

If there is a noticeable loss of engine power:

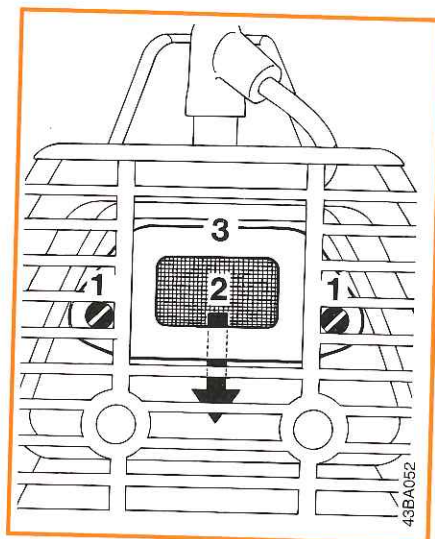
- Turn filter cover (**1**) to **CHOKE** - to prevent dirt falling into the carburetor.
- Take out the screw (**2**) and pull off the filter cover without turning it.

- Take the foam filter element (**3**) out of the filter housing.
- Wash the element in fresh, non-flammable cleaning solution (e.g. warm soapy water) and dry it off.

Always replace a damaged filter element.

- Install foam filter element (**3**).
- Fit the filter cover with the choke lever (**4**) in the closed position - line up choke mark on filter cover with **K** of **CHOKE** on housing.
- Secure cover with screw (**2**).

Spark Arresting Screen in Muffler*

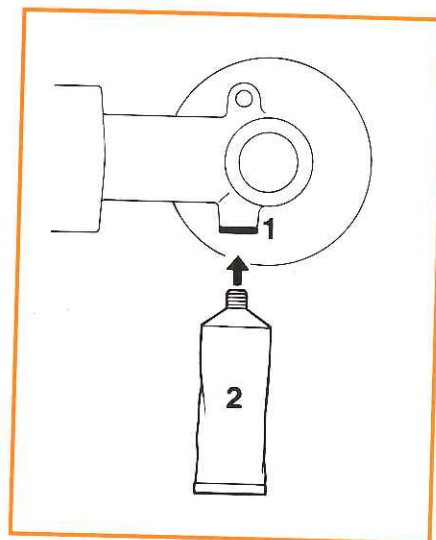


If the engine is low on power, check the spark arresting screen inside the muffler.

- Slacken off but do not remove the screws (1).
- Pull out the spark arresting screen (2) from underneath the cover (3) in the direction of the arrow (see illustration).
- Clean spark arresting screen if necessary.
- If screen is damaged or coked up, fit a new one.
- Refit the spark arresting screen.
- Assemble in the reverse sequence.

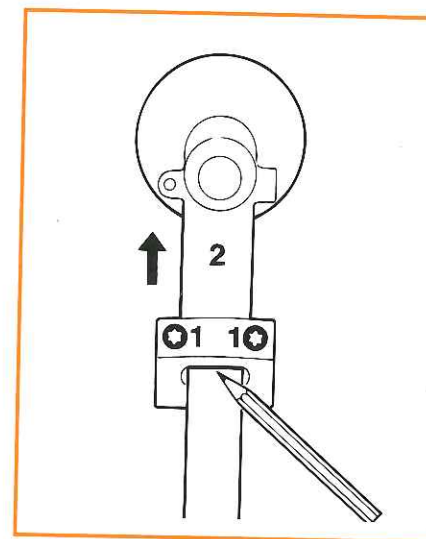
*Not all models

Gearbox Lubrication

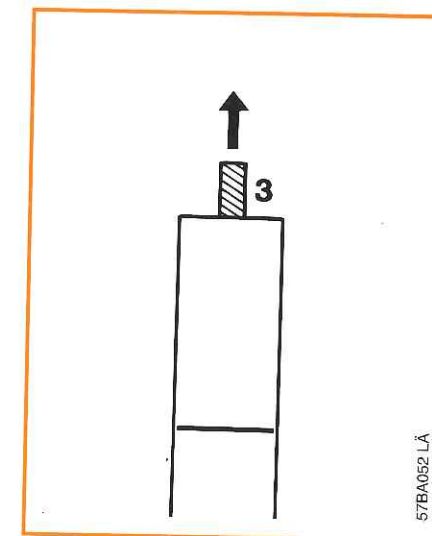


- Check grease level regularly - about every 50 hours of operation.
- Unscrew the filler plug (1).
- If no grease can be seen on the inside of the filler plug, screw the tube (2) of STIHL gear lubricant 0781 120 1117 into the filler hole.
- Squeeze grease into the gear housing - about 5 - 10 g (1/4 oz).
- Do not completely fill the gear housing with grease.
- Refit the filler plug and tighten it down firmly.

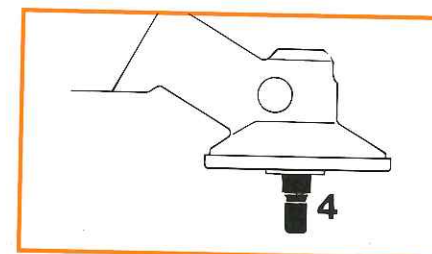
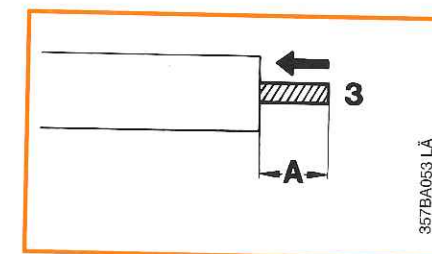
Lubricating Flexible Shaft



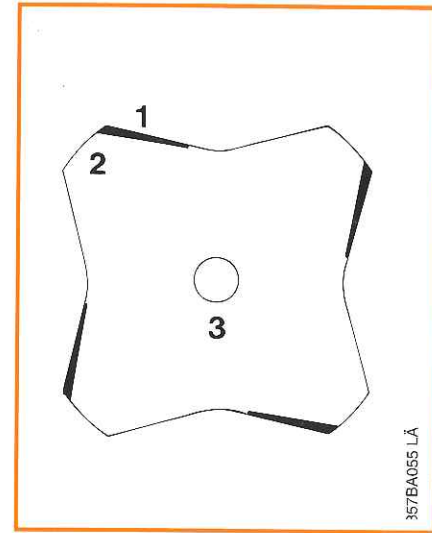
- Check film of lubricant at regular intervals - every 50 hours of operation if you use your brushcutter daily or once a year if you use your brushcutter occasionally.
- Mark the end of the gear head on the drive tube.
- Release the clamp screws (1).
- Pull the gear head (2) off the drive tube.



- Pull the flexible shaft (3) out of the drive tube.
- Use STIHL multipurpose grease 0781 120 1109 to coat dry areas of the shaft:
Do not apply too much grease - never pump grease into the drive tube.
- If shaft has turned blue, fit a new one.



- Push shaft (3) into the drive tube - turn it to and fro until distance A is less than 10mm (3/8").
- Slide the drive tube into the gear head - turn drive shaft (4) back and forth until mark is reached.
- Line up the gear head.
- Tighten down the clamp screws.



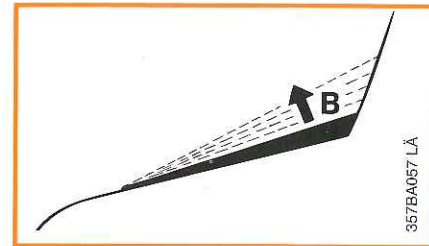
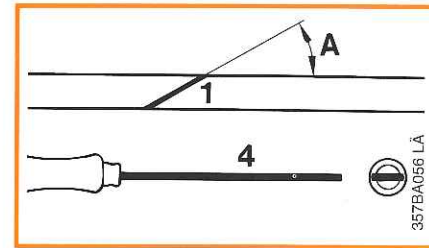
Grass cutting blade 230-4

Never straighten or weld a bent or cracked grass cutting blade - it might shatter and cause serious or fatal injury.

- Resharpener only when all cutting edges (1) on both sides of the blade are dull: This ensures balanced wear.

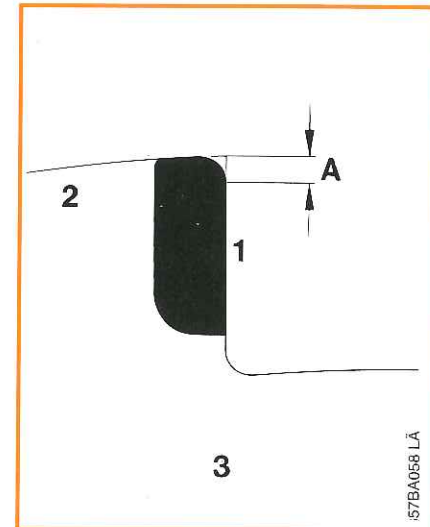
To avoid out-of-balance:

- Resharpener the cutters (2) uniformly - do not alter the contour of the parent blade (3) in any way.
- After resharpening about 5 times, have blade checked on STIHL balancer 5910 850 2600 and rebalanced as necessary.



Sharpen correctly

- If slightly dull: Use flat file (4) 0814 212 3310 - In case of more serious wear or nicks: Resharpener with a grinder - maintain a sharpening angle of 30° (A) on the cutting edge (1).
- File back the cutting edge parallel to the lines (B) (see illustration).
- Resharpener frequently, take away as little material as possible - two or three strokes of the file are usually enough.



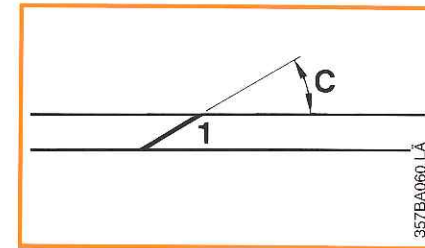
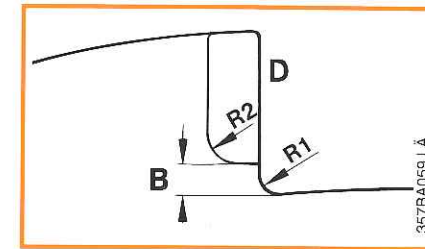
Grass cutting blade 230-8

Never straighten or weld a bent or cracked grass cutting blade - it might shatter and cause serious or fatal injury.

- Resharpener when the tips of the cutting edges (1) have worn down to about 1mm/3/64" (A).

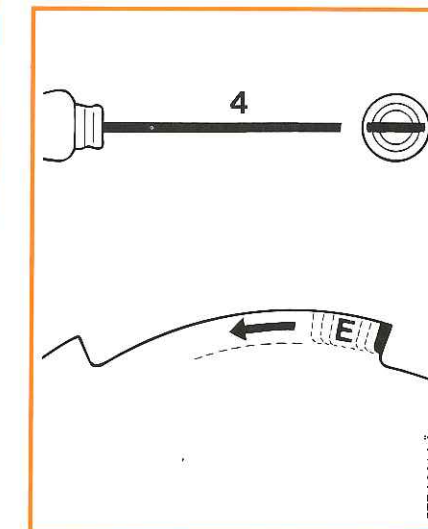
To avoid out-of-balance:

- Resharpener the cutters (2) uniformly - do not alter the contour of the parent blade (3) in any way.
- After resharpening about 5 times, have blade checked on STIHL balancer 5910 850 2600 and rebalanced as necessary.



Measurements and angles for resharpening

Leave clearance of 2mm/5/64" (B) between cutting edge and parent blade - R1 should be 2mm/5/64". Radius R2 is 2.5mm/7/64" and is obtained automatically if you use the specified file and maintain a filing angle of 30° (C). Cutting edge (D) must be exactly in line with center of blade's mounting hole.



Sharpen correctly

- If slightly dull: Use flat file (4) 0814 212 3310 - In case of more serious wear or nicks: Resharpener with a grinder.
- File back the cutting edge parallel to the lines (E) (see illustration).
- Resharpener frequently, take away as little material as possible - two or three strokes of the file are usually enough.

During break-in period

A factory new machine should not be run at high revs (full throttle off load) for the first three tank fillings. This avoids unnecessary high loads during the break-in period.

As all moving parts have to bed in during the break-in period, the frictional resistances in the engine are greater during this period. The engine develops its maximum power after about 5 to 15 tank fillings.

Storing the Machine

During operation

After long period of full-throttle operation, allow engine to run for a while at idling speed so that the heat in the engine can be dissipated by flow of cooling air. This protects engine-mounted components (ignition, carburetor) from thermal overload.

After finishing work

Storing for short period :
To avoid condensation, fill the fuel tank and keep the unit in a dry place until you need it again.

Storing for a long period:
Drain and clean the fuel tank - run engine until carburetor is dry.

Check tightness of nuts and screws (not adjusting screws) at regular intervals and retighten as necessary.

For periods of about 3 months or longer:

- Drain and clean the fuel tank.
- Run engine until carburetor is dry - this helps prevent the carburetor diaphragms sticking together.
- Remove, clean and inspect the cutting tool.
- Thoroughly clean the machine - pay special attention to the cylinder fins and air filter.
- Store the machine in a dry, high or locked location - out of the reach of children and other unauthorized persons.


Maintenance Chart

Please note that the following maintenance intervals apply for normal operating conditions. If your daily working time is longer than normal or cutting conditions are difficult, shorten the specified intervals accordingly.

		before starting work	after finishing work or daily	after each refueling stop	weekly	monthly	if faulty	if damaged	as required	see page:
Complete machine	Visual inspection (condition, leaks)	x		x						
	Clean		x							
Throttle trigger, stop switch	Check operation	x		x						31-41
Air filter	Clean						x		x	45
	Replace							x		45
Filter in fuel tank	Check						x			30
	Replace							x	x	30
Fuel tank	Clean						x		x	29
Carburetor	Check idle adjustment - cutting tool must not turn	x		x						42-44
	Readjust idle								x	42-44
Spark plug	Readjust electrode gap						x			44
Cooling inlets	Inspect		x							
	Clean								x	
Spark arresting screen in muffler	Inspect		x				x			46
	Clean or replace							x	x	46
All accessible screws and nuts (not adjusting screws)	Retighten								x	
Cutting tool	Visual inspection	x		x						23-28
	Replace							x	x	23-28
	Sharpen metal cutting tools									48-49
	Check tightness of cutting tool	x		x						23-28
Flexible shaft	Inspect					x				47
	Lubricate								x	47

The user of the brushcutter may carry out only the maintenance operations described in this manual. Other repair work may be performed only by an authorized STIHL Service Shop.

Warranty claims following repairs can be accepted only if the repair has been performed by an authorized STIHL Service Shop using original STIHL spare parts.

Original STIHL parts can be identified by the STIHL part number, the **STIHL** logo and the STIHL parts symbol . The symbol may appear alone on small parts.

Specifications

Engine

Single cylinder two-stroke engine
 Displacement: 30.2 cm³
 (1.84 cu.in)
 Bore: 34.8 mm
 (1.36 cu.in)
 Stroke: 31.8 mm
 (1.25 in)
 Engine power
 to ISO 8893: 0.7 kW
 (0.95 bhp)
 Max. engine speed: Speed limited by
 control valve
 Max. output
 shaft speed
 (tool mounting): 7 500 r.p.m.
 Idle speed: 3 100 r.p.m.

Ignition System

Type:
 Electronic (breakerless)
 magneto ignition
 Spark plug GM AC CSR 45
 (suppressed): or NGK BMR 6A;
 Heat range 200
 Electrode gap: 0.7 - 0.8 mm
 (0.03 in)
 Spark plug thread: M 14 x 1.25;
 9.5 mm
 (0.37 in) long

Fuel System

Carburetor:
 All position diaphragm carburetor
 with integral fuel pump
 Air filter:
 Foam element
 Fuel tank capacity:
 0.51 l (1.08 US pt)
 Fuel mixture:
 see chapter "Fuel"

Weight

without cutting tool
 and deflector:

FS44 with bike handle 5.6 kg
 (12.3 lb)
 FS44 with "J" handle 5.4 kg
 (11.9 lb)
 FS44 with loop handle 5.1 kg
 (11.2 lb)

Model	Tool	Sound pressure level L _{peq} to ISO 7917 ¹⁾	Sound power level L _{weq} to ISO 10884 ¹⁾	Vibration acceleration to ISO 7916		Vibration acceleration to ISO 7916	
		dB (A)	dB (A)	Idle speed (m/s ²) Handle right	left	Max. speed (m/s ²) Handle right	left
FS 44 ²⁾	Mow. head	97	108	3.3	3.0	3.3	3.6
FS 44 ²⁾	Metal tool	94	103	3.3	3.0	4.2	3.7
FS 44 R ³⁾	Mow. head	97	108	4.1	5.2	13.2	9.5
FS 44 R ⁴⁾	Metal tool	94	103	4.1	5.2	10.1	9.6

¹⁾ Average for idle speed and maximum engine speed with equal periods of exposure

²⁾ Version with bike handle or "J" handle

³⁾ Version with loop handle

⁴⁾ Version with loop handle with standoff lever

Special Accessories

Cutting Tools

- 1 STIHL Supercut 20-1 mowing head
4002 710 2160
- 2 STIHL Supercut 20-2 mowing head
4002 710 2162
- 3 STIHL Autocut 24-2 mowing head
4002 710 2109
- 4 STIHL Autocut 20-2 mowing head
4002 710 2106
- 5 STIHL Autocut 25-2 mowing head
4002 710 2108
- 6 STIHL Polymatic 30-2 mowing head
4002 710 2120
- 7 STIHL Polycut 20-3 mowing head
4002 710 2130
- 8 Fixed Line Head
4001 713 2102
- 9 Grass cutting blade 230-4 *
4001 713 3801
- 10 Grass cutting blade 230-8 *
4001 713 3803

* Not approved for FS 44 with loop handle.

Nylon line for cutting heads

2.0mm/0.08" diameter (green):
 15m/50ft 0000 930 2217
 for 4
2.4mm/0.095" diameter (orange):
 15m/50ft 0000 930 2243
 for 1 to 8
2.7mm/0.105" diameter (red):
 10.7m/35ft 0000 930 2218
 for 7 and 8

Thermoplastic blades

for 7
 Pack of 12 4111 007 1001

Transport guard

for 9 and 10 4119 790 3906

Other special accessories

Shoulder strap
 Full harness

Goggles

STIHL multipurpose grease
 (80 g/3 oz tube) 0781 120 1109
 (225 g/8 oz tube) 0781 120 1110
 STIHL gear lubricant
 (80 g/3 oz tube) 0781 120 1117
 (225 g/8 oz tube) 0781 120 1119

 **WARNING!**

The engine exhaust from this product contains chemicals known to the State of California to cause cancer, birth defects or other reproductive harm.

englisch/english U.S.A.