

## STIHL KM 55

### Instruction Manual Manual de instrucciones

**Warning!**

For safe operation follow all safety precautions in Instruction Manual - improper use can cause serious injury.

**Advertencia!**

Para su seguridad durante el manejo de este producto, siga siempre las precauciones de seguridad dadas en el manual de instrucciones - el uso indebido puede causar lesiones graves.



# Contents

KombiSystem .....	2
Guide to Using this Manual .....	2
Safety Precautions and Working Techniques .....	3
Approved KombiTools .....	10
Mounting the Bike Handle .....	11
Mounting the Loop Handle .....	12
Fitting the Carrying Eye .....	14
Fuel .....	14
Fueling .....	15
Starting / Stopping the Engine .....	15
Operating Instructions .....	19
Cleaning the Air Filter .....	19
Motor Management .....	20
Adjusting the Carburetor .....	20
Catalytic Converter .....	22
Checking the Spark Plug .....	22
Rewind Starter .....	23
Storing the Machine .....	24
Inspections and Maintenance by STIHL Service .....	24
Maintenance Chart .....	25
Main Parts and Controls .....	26
Specifications .....	28
Special Accessories .....	29
Maintenance and Repairs .....	29
STIHL Incorporated Federal Emission Control Warranty Statement .....	30
STIHL Incorporated California Exhaust and Evaporative Emissions Control Warranty Statement .....	32
Trademarks .....	34

Allow only persons who understand the manuals of the KombiEngine and the KombiTool to operate your power tool.

To receive maximum performance and satisfaction from your STIHL power tool, it is important that you read and understand the maintenance and safety precautions, starting on page 4, before using your power tool.

Contact your STIHL dealer or the STIHL distributor for your area if you do not understand any of the instructions in the two manuals.



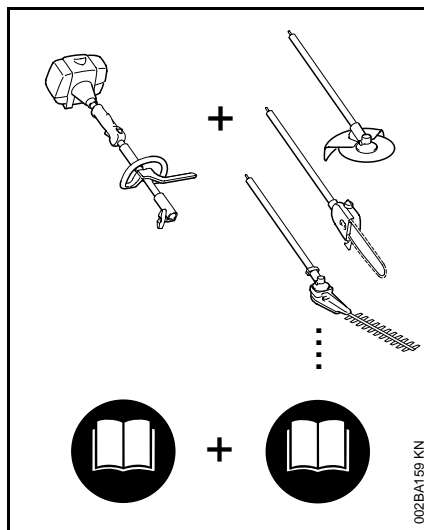
## KombiSystem

## Guide to Using this Manual

### Warning!

Because this power tool is a high-speed working tool, some special safety precautions must be observed to reduce the risk of personal injury. Careless or improper use may cause serious or even fatal injury.

STIHL's philosophy is to continually improve all of its products. As a result, engineering changes and improvements are made from time to time. Therefore, STIHL cannot be responsible for changes, modifications or improvements not covered in this manual. If the operating characteristics or the appearance of your power tool differs from those described in the two manuals, please contact your STIHL dealer for information and assistance.



In the STIHL KombiSystem a number of different KombiEngines and KombiTools can be combined to produce a power tool. In this instruction manual the functional unit formed by the KombiEngine **and** KombiTool is referred to as the power tool.

The KombiEngine and KombiTool come with separate instruction manuals.

Always **read** and make sure you understand **both** instruction manuals before starting and using your machine. Keep the manuals in a safe place for later reference.

### Pictograms

All the pictograms attached to the machine are shown and explained in this manual.

The operating and handling instructions are supported by illustrations.

### Symbols in text

The individual steps or procedures described in the manual may be marked in different ways:

- A bullet marks a step or procedure without direct reference to an illustration.

A description of a step or procedure that refers directly to an illustration may contain item numbers that appear in the illustration.

Example:

Loosen the screw (1)  
Lever (2) ...

## Safety Precautions and Working Techniques



Because this KombiEngine is the engine for a high-speed, power tool, special safety precautions must be observed to reduce the risk of personal injury.



It is important that you read, fully understand and observe the following safety precautions and warnings. Read the instruction manuals and


the safety precautions of your KombiEngine and KombiTool periodically. Careless or improper use may cause serious or fatal injury.


Have your STIHL dealer show you how to operate your power tool. Observe all applicable local safety regulations, standards and ordinances.


### **Warning!**


Do not lend or rent your power tool without the instruction manuals. Be sure that anyone using it understands the information contained in these manuals.

In addition to the operating instructions, this manual may contain paragraphs that require your special attention. Such paragraphs are marked with the symbols described below:

 Warning where there is a risk of an accident or personal injury or serious damage to property.

 Caution where there is a risk of damaging the machine or its individual components.

 Note or hint which is not essential for using the machine, but may improve the operator's understanding of the situation and result in better use of the machine.

 Note or hint on correct procedure in order to avoid damage to the environment.

### \* **Equipment and features**

This instruction manual may refer to several models with different features. Components that are not installed on all models and related applications are marked with an asterisk (\*). Such components may be available as special accessories from your STIHL dealer.

### **Engineering improvements**

STIHL's philosophy is to continually improve all of its products. As a result, engineering changes and improvements are made from time to time. If the operating characteristics or the appearance of your machine differ from those described in this manual, please contact your STIHL dealer for assistance.

Therefore some changes, modifications and improvements may not be covered in this manual.

**⚠ Warning!**

Minors should never be allowed to use this power tool. Bystanders, especially children, and animals should not be allowed in the area where it is in use.

**⚠ Warning!**

To reduce the risk of injury to bystanders and damage to property, never let your power tool run unattended. When it is not in use (e.g. during a work break), shut it off and make sure that unauthorized persons do not use it.

Most of these safety precautions and warnings apply to the use of all STIHL power tools. Different models may have different parts and controls. See the appropriate section of your KombiEngine and KombiTool instruction manuals for a description of the controls and the function of the parts of your model.

Safe use of a KombiEngine involves

1. the operator
2. the power tool
3. the use of the power tool.

## THE OPERATOR

### Physical Condition

You must be in good physical condition and mental health and not under the influence of any substance (drugs, alcohol, etc.) which might impair vision, dexterity or judgment. Do not operate this machine when you are fatigued.

**⚠ Warning!**

Be alert – if you get tired, take a break. Tiredness may result in loss of control. Working with any power tool can be strenuous. If you have any condition that might be aggravated by strenuous work, check with your doctor before operating this machine.

**⚠ Warning!**

Prolonged use of a power tool (or other machines) exposing the operator to vibrations may produce whitefinger disease (Raynaud's phenomenon) or carpal tunnel syndrome.

These conditions reduce the hand's ability to feel and regulate temperature, produce numbness and burning sensations and may cause nerve and circulation damage and tissue necrosis.

All factors which contribute to whitefinger disease are not known, but cold weather, smoking and diseases or physical conditions that affect blood vessels and blood transport, as well as high vibration levels and long periods of exposure to vibration are mentioned as factors in the development of whitefinger disease. In order to reduce the risk of whitefinger disease and carpal tunnel syndrome, please note the following:

- Most STIHL power tools are available with an anti-vibration (“AV”) system designed to reduce the transmission of vibrations created by the engine to the operator's hands. An AV system is recommended for those persons using power tools on a regular or sustained basis.
- Wear gloves and keep your hands warm.
- Keep the AV system well maintained. A power tool with loose components or with damaged or worn AV buffers will tend to have higher vibration levels.
- Maintain a firm grip at all times, but do not squeeze the handles with constant, excessive pressure. Take frequent breaks.

All the above-mentioned precautions do not guarantee that you will not sustain whitefinger disease or carpal tunnel syndrome. Therefore, continual and regular users should closely monitor the condition of their hands and fingers. If any of the above symptoms appear, seek medical advice immediately.

### **Warning!**

The ignition system of the STIHL unit produces an electromagnetic field of a very low intensity. This field may interfere with some pacemakers. To reduce the risk of serious or fatal injury, persons with a pacemaker should consult their physician and the pacemaker manufacturer before operating this tool.

## Proper Clothing

### **Warning!**

To reduce the risk of injury, the operator should wear proper protective apparel.

### **Warning!**



Power tool noise may damage your hearing. Wear sound barriers (ear plugs or ear muffs) to protect your hearing.

Continual and regular users should have their hearing checked regularly.

Be particularly alert and cautious when wearing hearing protection because your ability to hear warnings (shouts, alarms, etc.) is restricted.

For further instructions on proper clothing see the safety precautions in the instruction manual of the KombiTool you are using.

## THE POWER TOOL

For illustrations and definitions of the power tool parts see the chapter on “Main Parts and Controls.”

### **Warning!**

Never modify this power tool in any way. Only attachments supplied by STIHL or expressly approved by STIHL for use with the specific STIHL KombiEngine model are authorized. Although certain unauthorized attachments are useable with STIHL power tools, their use may, in fact, be extremely dangerous.

If this tool is subjected to unusually high loads for which it was not designed (e.g. heavy impact or a fall), always check that it is in good condition before continuing work. Check in particular that the fuel system is tight (no leaks) and that the controls and safety devices are working properly. Do not continue operating this machine if it is damaged. In case of doubt, have it checked by your STIHL servicing dealer.

## THE USE OF THE POWER TOOL

### Transporting the Power Tool

#### **Warning!**

Always switch off the engine and make sure the working tool has stopped before putting a power tool down. When transporting your power tool in a vehicle, properly secure it to prevent turnover, fuel spillage and damage to the power tool.

### Fuel

Your STIHL power tool uses an oil-gasoline mixture for fuel (see the chapter on "Fuel" of your instruction manual).

#### **Warning!**



Gasoline is an extremely flammable fuel. If spilled and ignited by a spark or other ignition source, it can cause fire and serious burn injury or property damage. Use extreme caution when handling gasoline or fuel mix.

Do not smoke or bring any fire or flame near the fuel or the power tool. Note that combustible fuel vapor may escape from the fuel system.

### Fueling Instructions

#### **Warning!**

Fuel your power tool in well-ventilated areas, outdoors. Always shut off the engine and allow it to cool before refueling. Gasoline vapor pressure may build up inside the fuel tank depending on the fuel used, the weather conditions and the tank venting system.

In order to reduce the risk of burns and other personal injury from escaping gas vapor and fumes, remove the fuel filler cap on your power tool carefully so as to allow any pressure build-up in the tank to release slowly. Never remove the fuel filler cap while the engine is running.

Select bare ground for fueling and move at least 10 feet (3 m) from the fueling spot before starting the engine. Wipe off any spilled fuel before starting your machine.

#### **Warning!**

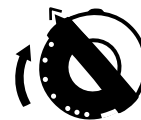
Check for fuel leakage while refueling and during operation. If fuel leakage is found, do not start or run the engine until the leak is fixed and any spilled fuel has been wiped away. Take care not to get fuel on your clothing. If this happens, change your clothing immediately.

Different models may be equipped with different fuel caps.

### Cap with grip

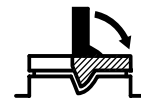
#### **Warning!**

In order to reduce the risk of fuel spillage and fire from an improperly tightened fuel cap, correctly position and tighten the fuel cap in the fuel tank opening.



To do this with this STIHL cap, raise the grip on the top of the cap until it is upright at a 90° angle.

Insert the cap in the fuel tank opening with the triangular marks on the grip of the cap and on the fuel tank opening lining up. Using the grip, turn the cap firmly clockwise as far as it will go (approx. a quarter turn).



Fold the grip flush with the top of the cap. If the grip does not lie completely flush with the cap and the detent on the grip does not fit in the

corresponding recess in the filler neck, the cap is not properly seated and tightened and you must repeat the above steps.

### Screw cap

#### **Warning!**



Unit vibrations can cause an improperly tightened fuel filler cap to loosen or come off and spill quantities of fuel. In order to reduce the risk of fuel spillage and fire, tighten the fuel filler cap by hand as securely as possible.

### Before Starting

#### **Warning!**

Always check your KombiEngine for proper condition and operation before starting, particularly the throttle trigger, throttle trigger interlock, stop switch and working tool. The throttle trigger (if applicable) must move freely and always spring back to the idle position. Never attempt to modify the controls or safety devices.

#### **Warning!**

Never use a power tool that is damaged or not properly maintained.

#### **Warning!**

Check that the spark plug boot is securely mounted on the spark plug – a loose boot may cause arcing that could ignite combustible fumes and cause a fire.

Keep the handles clean and dry at all times; it is particularly important to keep them free of moisture, pitch, oil, grease or resin in order for you to maintain a firm grip and properly control your power tool.

### Starting

Start the engine at least 10 feet (3 meters) from the fueling spot, outdoors only.

For specific starting instructions, see the appropriate section of your KombiEngine and KombiTool manuals. Place the power tool on firm ground or other solid surface in an open area. Maintain good balance and secure footing.

#### **Warning!**

To reduce the risk of injury from loss of control, be absolutely sure that the working tool is clear of you and all other obstructions and objects, including the ground, because when the engine starts at starting-throttle, engine speed will be fast enough for the clutch to engage and move the working tool.

#### **Warning!**

Your power tool is a one-person machine. Do not allow other persons in the general work area, even when starting.

#### **Warning!**

To reduce the risk of injury from loss of control, do not attempt to “drop start” your power tool.

#### **Warning!**

When you pull the starter grip, do not wrap the starter rope around your hand. Do not let the grip snap back, but guide the starter rope to rewind it properly. Failure to follow this procedure may result in injury to your hand or fingers and may damage the starter mechanism.

See also the safety precautions on Starting in the instruction manual of the KombiTool.



## Important Adjustments

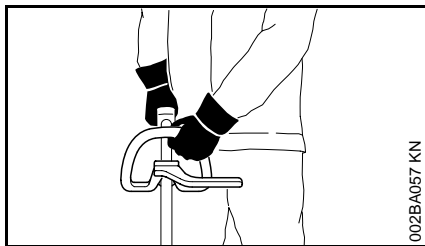
### **Warning!**

To reduce the risk of personal injury from loss of control or contact with the running working tool, do not use a power tool with incorrect idle adjustment. At correct idle speed, the working tool should not move. For directions on how to adjust idle speed, see the appropriate section of your instruction manual. If you cannot set the correct idle speed, have your STIHL dealer check your power tool and make proper adjustments and repairs.

## During Operation

### **Holding and controlling the power tool**

Always hold the unit firmly with both hands on the handles while you are working. Wrap your fingers and thumbs around the handles.



Your right hand should grip the rear handle. This also applies to left-handers.

## Working conditions

Operate and start your power tool only outdoors in a well ventilated area. Operate it under good visibility and daylight conditions only. Work carefully.

### **Warning!**



As soon as the engine is running, this product generates toxic exhaust fumes containing chemicals (such as unburned hydrocarbons and carbon monoxide) known to cause respiratory problems, cancer, birth defects, or other reproductive harm. Some of the gases (e.g. carbon monoxide) may be colorless and odorless. To reduce the risk of serious or fatal injury/illness from inhaling toxic fumes, never run the machine indoors or in poorly ventilated locations.

## Operating instructions

### **Warning!**

Do not operate your power tool using the starting throttle lock, as you do not have control of the engine speed.

In the event of an emergency, switch off the engine immediately – move the slide control / stop switch to **0** or **STOP**.

### **Warning!**

The muffler and other parts of the engine (e.g. fins of the cylinder, spark plug) become hot during operation and remain hot for a while after stopping the engine. To reduce risk of burns do not touch the muffler and other parts while they are hot.

### **Warning!**

To reduce the risk of fire and burn injury, keep the area around the muffler clean. Remove excess lubricant and all debris such as pine needles, branches or leaves. Let the engine cool down sitting on concrete, metal, bare ground or solid wood (e.g. the trunk of a felled tree) away from any combustible substances.

### **Warning!**

Never modify your muffler. The muffler could be damaged and cause an increase in heat radiation or sparks, thereby increasing the risk of fire and burn injury. You may also permanently damage the engine. Have your muffler serviced and repaired by your STIHL servicing dealer only.

## Catalytic converter

### Warning!



Some STIHL power tools are equipped with a catalytic converter, which is designed to reduce the exhaust emissions of the engine by a chemical

process in the muffler. Due to this process, the muffler does not cool down as rapidly as conventional mufflers when the engine returns to idle or is shut off. To reduce the risk of fire and burn injuries, the following specific safety precautions must be observed.

### Warning!

Since a muffler with a catalytic converter cools down less rapidly than conventional mufflers, always set your power tool down in the upright position and never locate it where the muffler is near dry brush, grass, wood chips or other combustible materials while it is still hot.

### Warning!

An improperly mounted or damaged cylinder housing or a damaged/ deformed muffler shell may interfere with the cooling process of the catalytic converter. To reduce the risk of fire or burn injury, do not continue work with a damaged or improperly mounted cylinder housing or a damaged/ deformed muffler shell.

Your catalytic converter is furnished with screens designed to reduce the risk of fire from the emission of hot particles. Due to the heat from the catalytic reaction, these screens will normally stay clean and need no service or maintenance. If you experience loss of performance and you suspect a clogged screen, have your muffler maintained by a STIHL servicing dealer.

## MAINTENANCE, REPAIR AND STORING

**Maintenance, replacement, or repair of the emission control devices and systems may be performed by any nonroad engine repair establishment or individual. However, if you make a warranty claim for a component which has not been serviced or maintained properly or if nonapproved replacement parts were used, STIHL may deny coverage.**

### Warning!

Use only identical STIHL replacement parts for maintenance and repair. Use of non STIHL parts may cause serious or fatal injury.

Strictly follow the maintenance and repair instructions in the appropriate section of your KombiEngine and KombiTool instruction manuals. Please refer to the maintenance charts respectively the maintenance notes in these manuals.

## Approved KombiTools

**⚠ Warning!**

Always stop the engine and make sure that the working tool is stopped before doing any maintenance or repair work or cleaning the power tool. Do not attempt any maintenance or repair work not described in your KombiEngine and KombiTool instruction manuals. Have such work performed by your STIHL servicing dealer only.

**⚠ Warning!**

Use the specified spark plug and make sure it and the ignition lead are always clean and in good condition. Always press spark plug boot snugly onto spark plug terminal of the proper size. (Note: If terminal has detachable SAE adapter nut, it must be attached.) A loose connection between spark plug boot and the ignition wire connector in the boot may create arcing that could ignite combustible fumes and cause a fire.

**⚠ Warning!**

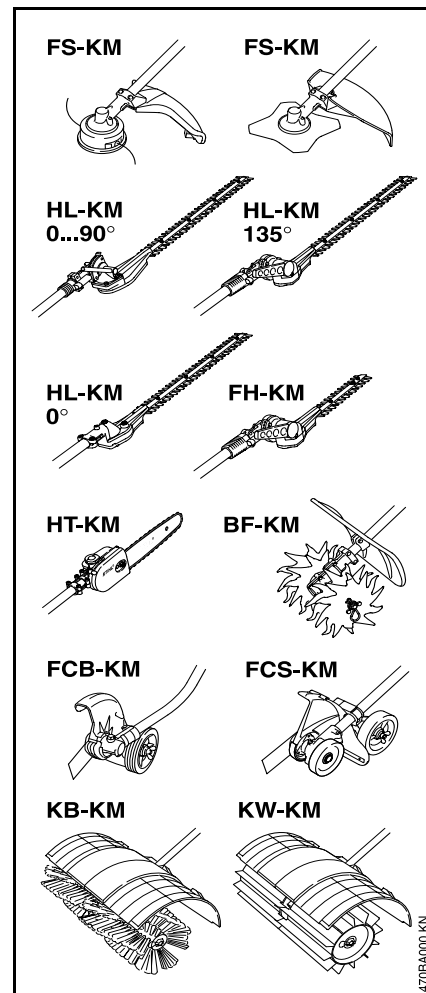
Never test the ignition system with the ignition wire boot removed from the spark plug or with a removed spark plug, since uncontained sparking may cause a fire.

**⚠ Warning!**

Do not operate your power tool if the muffler is damaged, missing or modified. An improperly maintained muffler will increase the risk of fire and hearing loss. If your muffler was equipped with a spark-arresting screen to reduce the risk of fire, never operate your power tool if the screen is missing or damaged. Remember that the risk of forest fires is greater in hot or dry weather.

Store the power tool in a dry and high or locked location out of reach of children.

Before storing for longer than a few days, always empty the fuel tank. See chapter "Storing the machine" in this manual.

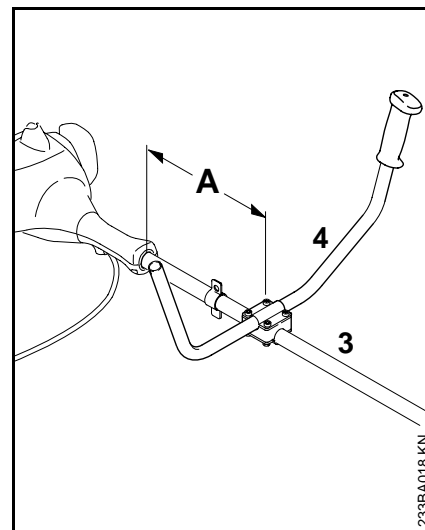
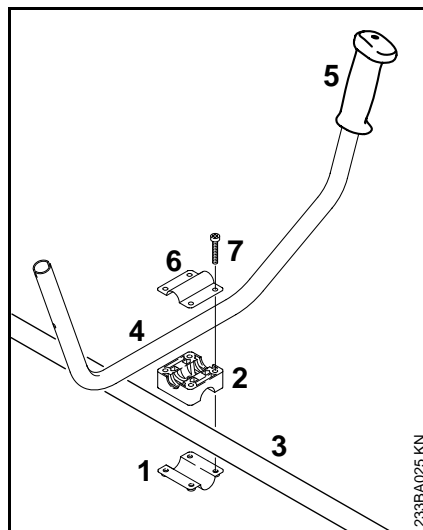


## Mounting the Bike Handle

The following STIHL KombiTools may be mounted on the KombiEngine

KombiTool	Purpose
FS-KM	Brushcutter with mowing head
FS-KM <sup>1)</sup>	Brushcutter with grass cutting blade
HL-KM 0/90° <sup>1) 2)</sup>	Hedge trimmer, adjustable
HL-KM 135° <sup>1) 2)</sup>	Hedge trimmer, adjustable
HL-KM 0° <sup>2)</sup>	Hedge trimmer
FH-KM <sup>1)</sup>	Power scythe
HT-KM <sup>2)</sup>	Pole pruner
BF-KM <sup>1)</sup>	Pick tine cultivator
FCB-KM <sup>2)</sup>	Power edger
FCS-KM <sup>2)</sup>	Power edger
KB-KM <sup>2)</sup>	Bristle brush
KW-KM <sup>2)</sup>	PowerSweep

- 1) **Barrier bar must** be mounted on loop handle
- 2) Unsuitable or not approved for KombiEngines with bike handle

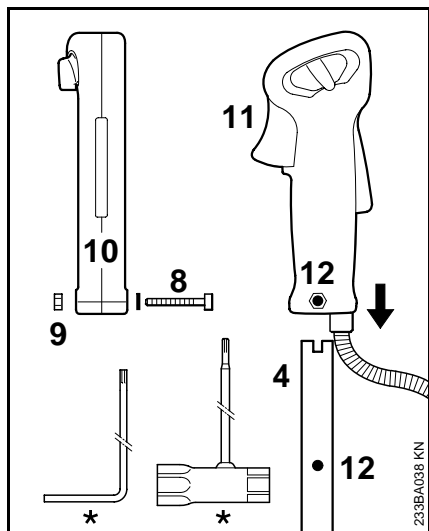


### Fitting the handlebar

- Place the clamp (1) and handle support (2) on the drive tube (3).
- Position the handlebar (4) in the handle support – the rubber grip (5) must be on the left (viewed from engine).
- Place clamp (6) on handle support.
- Insert screws (7) in the holes and screw down as far as stop in clamp.

- Secure handlebar (4) on the drive tube (3) at distance (A) of approx. 15 cm (6 in) from the powerhead.
- Align the handlebar.
- Tighten down the screws firmly.

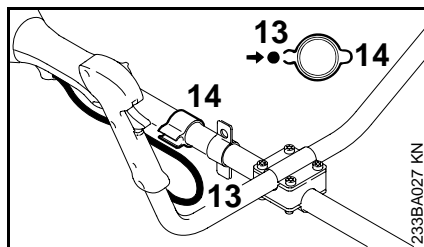
## Mounting the Loop Handle



### Fitting the control handle

- Release the screw (8) and remove it with the washer. The nut (9) remains in the control handle (10).
- Push the control handle onto the handlebar (4) – the throttle trigger (11) must point towards the gearhead.
- Line up the holes (12).
- Fit screw and washer in control handle and tighten down firmly.

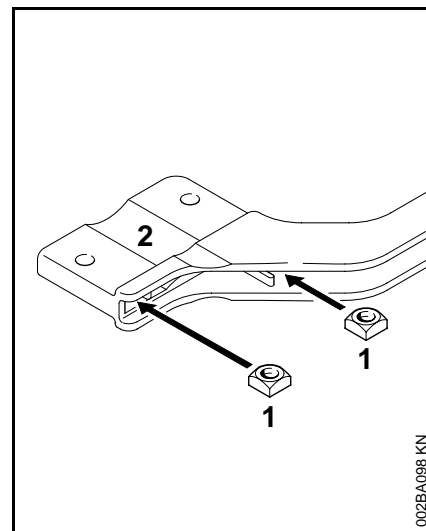
\* see “Guide to Using this Manual”



### Fitting the throttle cable

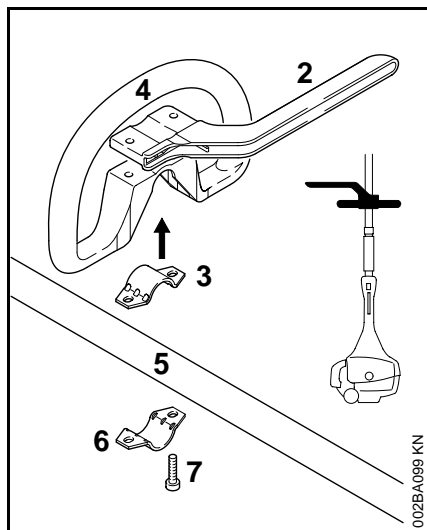
Do not kink the throttle cable - make sure the throttle trigger moves freely.

- Push the throttle cable (13) into the retainer (14).

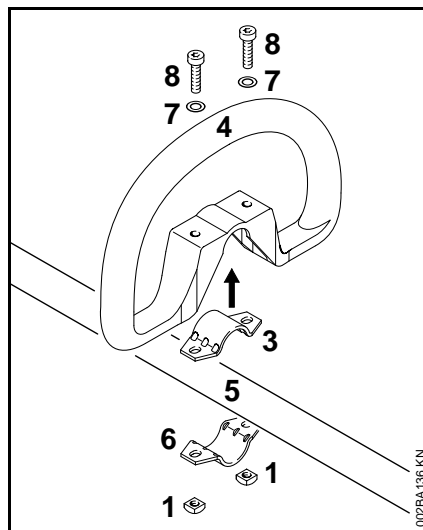


### Loop handle with barrier bar

- Insert square nuts (1) in the barrier bar (2).
- Line up the holes.

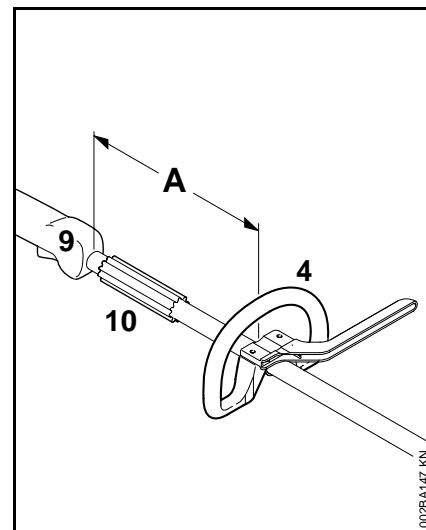


- Place the clamp (3) in the loop handle (4) and position them both against the drive tube (5).
- Fit the clamp (6) and place the barrier bar (2) in position.  
Note correct position.
- Line up the holes.
- Insert screws (7) in holes and screw them into the barrier bar as far as stop.
- Go to “Securing the loop handle”.



### Loop handle without barrier bar

- Place the clamp (3) in the loop handle (4) and position them both against the drive tube (5).
- Fit the clamp (6) and line up the holes.
- Fit washers (7) on screws (8).
- Insert screws (8) in holes and screw on the square nuts (1) as far as stop.
- Go to “Securing the loop handle”.



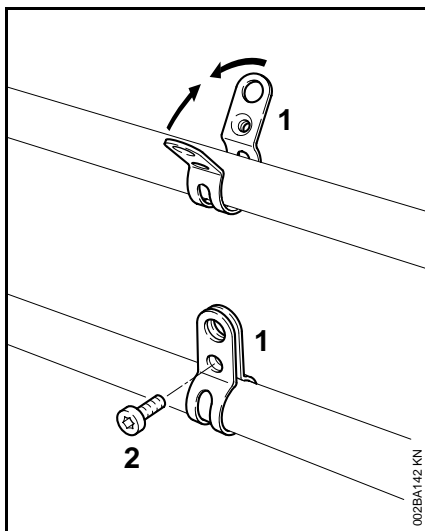
### Securing the loop handle

- Secure the loop handle (4) approx. 8”/20cm (A) forward of the control handle (9).
- Line up the loop handle.
- Tighten down the screws firmly – lock the nuts if necessary.

10= Sleeve\*

\* see “Guide to Using this Manual”

## Fitting the Carrying Eye



- For position of carrying eye<sup>1)</sup> see "Parts and Controls"
- Place the clamp **(1)** with the **tapped hole on the left-hand side** of the drive tube.
- Squeeze the two ends of the clamp together and hold in that position.
- Insert M 6 x 14 screw **(2)**.
- Line up the carrying eye.
- Tighten down the screw firmly.

1) Included as standard or available as special accessory

## Fuel

This engine is certified to operate on unleaded gasoline and the STIHL two-stroke engine oil at a mix ratio of 50:1.

Your engine requires a mixture of high-quality gasoline and quality two-stroke air cooled engine oil.

Use mid-grade unleaded gasoline with a minimum octane rating of 89 (R+M/2). If the octane rating of the mid-grade gasoline in your area is lower, use premium unleaded fuel.

Fuel with a lower octane rating may increase engine temperatures. This, in turn, increases the risk of piston seizure and damage to the engine.

The chemical composition of the fuel is also important. Some fuel additives not only detrimentally affect elastomers (carburetor diaphragms, oil seals, fuel lines, etc.), but magnesium castings and catalytic converters as well. This could cause running problems or even damage the engine. For this reason STIHL recommends that you use only nationally recognized high-quality unleaded gasoline!

Use only STIHL two-stroke engine oil or equivalent high-quality two-stroke engine oils that are designed for use only in air cooled two-cycle engines.

We recommend STIHL 50:1 two-stroke engine oil since it is specially formulated for use in STIHL engines.

Do not use BIA or TCW rated (two-stroke water cooled) mix oils or other mix oils that state they are for use in both water cooled and air cooled engines (e.g., outboard motors, snowmobiles, chainsaws, mopeds, etc.).

Take care when handling gasoline. Avoid direct contact with the skin and avoid inhaling fuel vapor. When filling at the pump, first remove the canister from your vehicle and place the canister on the ground before filling. Do not fill fuel canisters that are sitting in or on a vehicle.

The canister should be kept tightly closed in order to avoid any moisture getting into the mixture.

The machine's fuel tank and the canister in which fuel mix is stored should be cleaned as necessary.

## Fueling



## Starting / Stopping the Engine

### Fuel mix ages

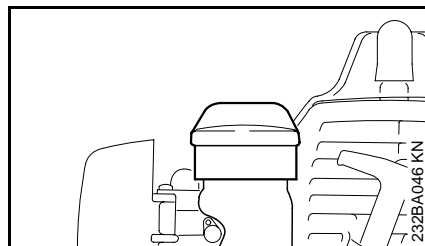
Only mix sufficient fuel for a few days work, not to exceed 3 months of storage. Store in approved fuel-canisters only. When mixing, pour oil into the canister first, and then add gasoline. Close the canister and shake it vigorously by hand to ensure proper mixing of the oil with the fuel.

Gasoline	Oil (STIHL 50:1 or equivalent high-quality oils)
----------	--

US gal.	US fl.oz
---------	----------

1	2.6
2 1/2	6.4
5	12.8

Dispose of empty mixing-oil canisters only at authorized disposal locations.

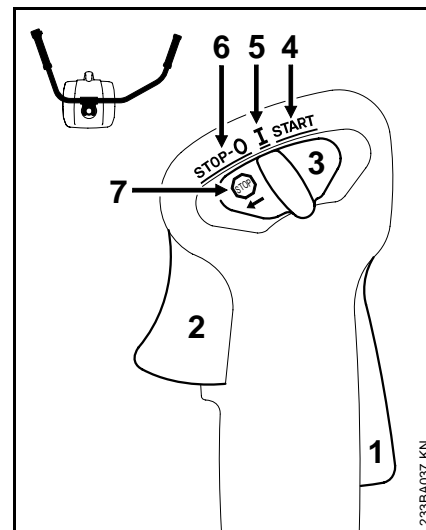


Before fueling, clean the filler cap and the area around it to ensure that no dirt falls into the tank.

Always thoroughly shake the mixture in the canister before fueling your machine.

**⚠** In order to reduce the risk of burns or other personal injury from escaping gas vapor and fumes, remove the fuel filler cap carefully so as to allow any pressure build-up in the tank to release slowly.

**⚠** After fueling, tighten fuel cap **as securely as possible** by hand.



### Version with Bike Handle

#### Controls

Throttle trigger interlock (1), throttle trigger (2) and slide control (3) with the positions:

#### START (4)

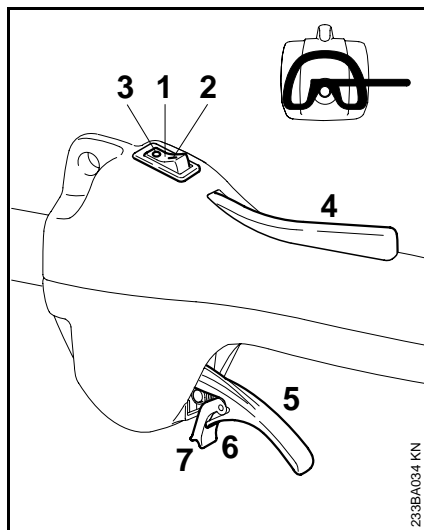
The normal run position **I** (5) and

**STOP-O** (6) – to stop engine, move slide control in direction of **↑** (7).



## Starting

- Hold down the trigger interlock and squeeze the throttle trigger.
- Keep both levers in that position.
- Move the slide control to **START** position and hold it there.
- Now release the throttle trigger, slide control and trigger interlock in that order. This is the **starting-throttle position**.
- Go to "**All Versions**"



### Version with Loop Handle

#### Controls

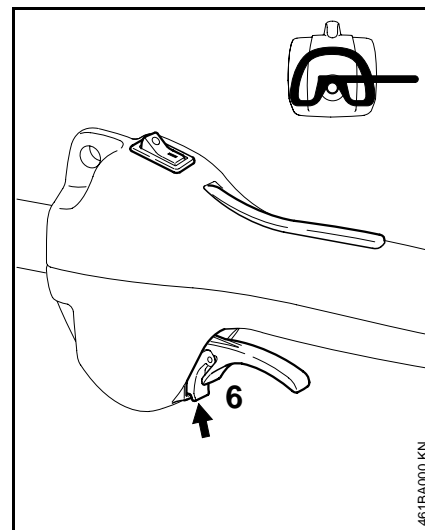
Stop switch (1) with positions:

Normal run position I (2), and

O – Stop (3).

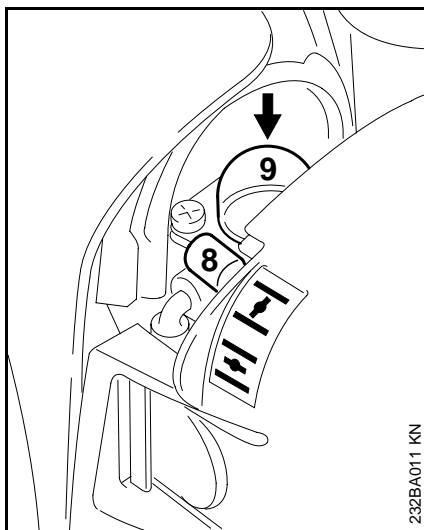
Throttle trigger interlock (4).

Throttle trigger (5) with tongue (6) and catch (7).

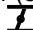



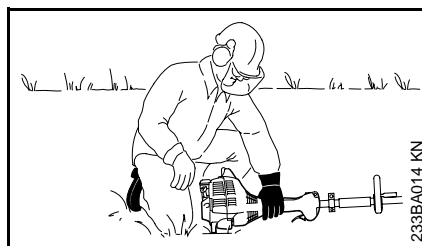
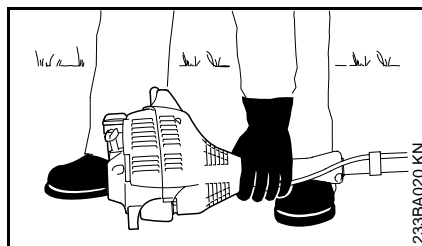
### Starting

- Move stop switch to position I
- Hold down throttle trigger interlock.
- Squeeze the throttle trigger until the catch on the tongue (6) can be engaged on the housing.
- Release the throttle trigger, tongue and throttle trigger interlock in that order. This is the **starting throttle position**.
- Go to "**All Versions**".




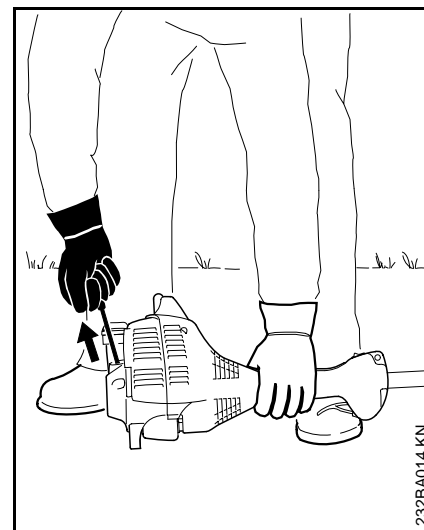
### All Versions

- Set the choke lever (8):  
**For cold start to **  
**For warm start to **  
 – also use this setting if the engine has been running but is still cold
- Press the fuel pump bulb (9) at least five times, even if the bulb is still filled with fuel.



- Place the unit on the ground:  
 Check that the tool is not touching the ground or any other obstacles – see also chapter "Starting/Stopping the Engine" in the CombiTool's instruction manual.
- Make sure you have a firm footing.
- Press the unit **firmly** against the ground with your left hand on the fan housing. Your thumb should be under the fan housing.

 Do not stand or kneel on the drive tube!



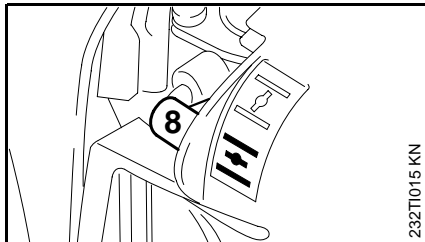
### Standard versions:

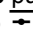
- Pull the starter grip slowly with your right hand until you feel it engage – and then give it a brisk strong pull. Do not pull out starter rope to full length – it might break.

### Versions with ErgoStart:

- Pull the starter grip slowly with your right hand until you feel the first stop - and then pull it out slowly and steadily. Do not pull out the starter rope to its full length - it might otherwise break.

- Do not let the starter grip snap back. Guide it slowly back into the housing so that the starter rope can rewind properly.



- Crank the engine until it fires. After no more than **five** pulls, move the choke lever (8) to .
- Continue cranking.

#### As soon as the engine runs

Versions with **bike handle**:

- Blip the throttle trigger – the engine settles down to idle speed.



Versions with **loop handle**:

- Squeeze throttle until the tongue disengages – the engine settles down to idle speed.

- ⚠ Make sure the carburetor is correctly adjusted – the tool must not move when the engine is idling.

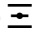
**Your machine is now ready for operation.**


#### To shut down the engine:

- Move slide control in direction of arrow () to **STOP** -  or stop switch to **STOP / O**

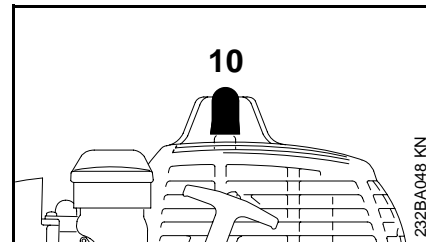
#### If the engine does not start

##### Choke lever

If you did not move the choke lever to  quickly enough after the engine began to fire, the combustion chamber is flooded.

- Move the choke lever to .
- Move the slide control, throttle trigger lock and throttle trigger to the starting throttle position.
- Start the engine – 10 to 20 strong pulls may be necessary.

#### If the engine still does not start



- Move slide control or stop switch to **STOP / O**.

Remove the spark plug boot (10).

## Operating Instructions

- Unscrew and dry off the spark plug.
- Open the throttle wide.
- Crank the engine several times with the starter to clear the combustion chamber.
- Refit the spark plug and connect the spark plug boot – push it down firmly.
- Set the stop switch or slide control to **I / I**
- Set choke lever to **II**, even if the engine is cold.
- Now start the engine.

### Fuel tank run until dry

- After refueling, press the fuel pump bulb at least five times – even if bulb is filled with fuel.
- Adjust choke lever to suit engine temperature.
- Now start the engine.

### During break-in period

A factory new machine should not be run at high revs (full throttle off load) for the first three tank fillings. This avoids unnecessary high loads during the break-in period. As all moving parts have to bed in during the break-in period, the frictional resistances in the engine are greater during this period. The engine develops its maximum power after about 5 to 15 tank fillings.

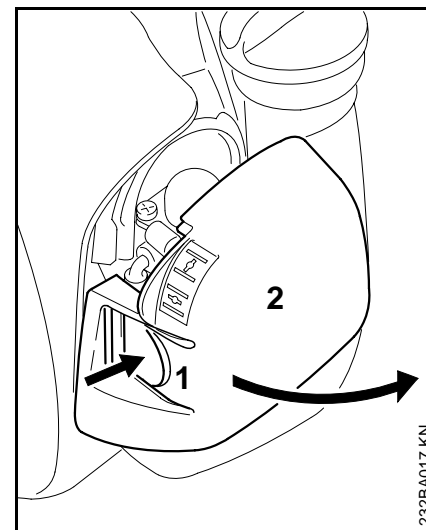
### During operation

After a long period of full-throttle operation, allow engine to run for a while at idle speed so that the heat in the engine can be dissipated by flow of cooling air. This protects engine-mounted components (ignition, carburetor) from thermal overload.

### After finishing work

Wait for engine to cool down. Drain the fuel tank. Store the machine in a dry place. Check tightness of nuts and screws (not adjusting screws) at regular intervals and retighten as necessary.

## Cleaning the Air Filter



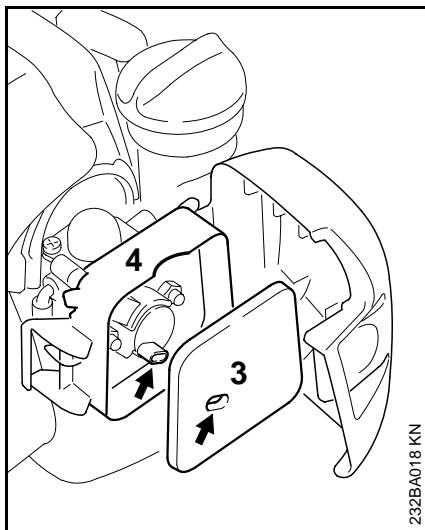
Dirty air filters reduce engine power increase fuel consumption and make starting more difficult.

### If there is a noticeable loss of engine power

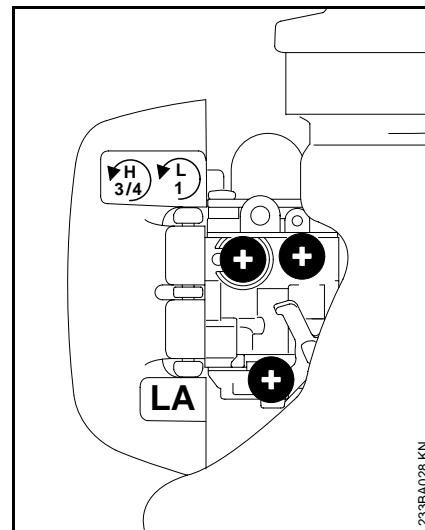
- Set choke lever to **I**
- Press in the tab (1) and swing the filter cover (2) open.
- Clean away loose dirt from around the filter.

## Motor Management

## Adjusting the Carburetor



Exhaust emissions are controlled by the design of the fundamental engine parameters and components (e.g. carburation, ignition, timing and valve or port timing) without the addition of any major hardware.



- Remove the felt filter element (3).
- **Do not wash** the felt element. Fit a new one. As a temporary measure, clean it by knocking it out on the palm of your hand or blowing it out with compressed air.
- ⚙️ Replace damaged parts of filter.
- Place the felt element (3) in the filter housing (4).
- Close the filter cover so that it snaps into position.

The carburetor comes from the factory with a standard setting.

This setting provides an optimum fuel-air mixture under most operating conditions.

With this carburetor it is only possible to adjust the high speed screw within fine limits.

## Standard Setting


- Shut off the engine.
- Mount the CombiTool.
- Check the air filter and clean or replace as necessary.
- Turn high speed screw (**H**) counterclockwise (**max.  $\frac{3}{4}$  turn**) as far as stop.
- Carefully screw the low speed screw (**L**) down onto its seat. Then open it **one** full turn counterclockwise.
- Start and warm up the engine.
- Adjust idle speed with the idle speed screw (**LA**) so that the tool does not move.

## Fine Tuning for Operation at High Altitude or at Sea Level

A slight correction of the setting of the high speed screw (**H**) may be necessary if engine power is not satisfactory when operating at high altitude, at sea level or after changing the cutting tool.

- Carry out standard setting.
- Warm up engine for about 3 minutes at full throttle.

### Rule of thumb


 Turn high speed screw (**H**) about  $\frac{1}{4}$  turn for every 3300 ft (1000m) change in altitude.

### At high altitude

- Turn high speed screw (**H**) clockwise (leaner) no further than stop.

### At sea level

- Turn high speed screw (**H**) counterclockwise (richer) no further than stop.

 Maximum engine speed is normally reached with the standard setting in each case.

## Adjusting Idle Speed

It is usually necessary to change the setting of the idle speed screw (**LA**) after every correction to the low speed screw (**L**).

- Warm up the engine for about 3 minutes.

### Engine stops while idling

- Turn idle speed screw (**LA**) slowly clockwise until the engine runs smoothly – the tool must not move.

### CombiTool moves when engine is idling

- Turn idle speed screw (**LA**) counterclockwise until the tool stops moving and then turn the screw about another  $\frac{1}{2}$  to 1 turn in the same direction.

### Erratic idling behavior, engine stops even though setting of LA screw is correct, poor acceleration

#### Idle setting too lean:

- Turn low speed screw (**L**) counterclockwise (about  $\frac{1}{4}$  turn) until the engine runs and accelerates smoothly.

\* see "Guide to Using this Manual"

## Catalytic Converter\*

### Erratic idling behavior

#### Idle setting too rich:

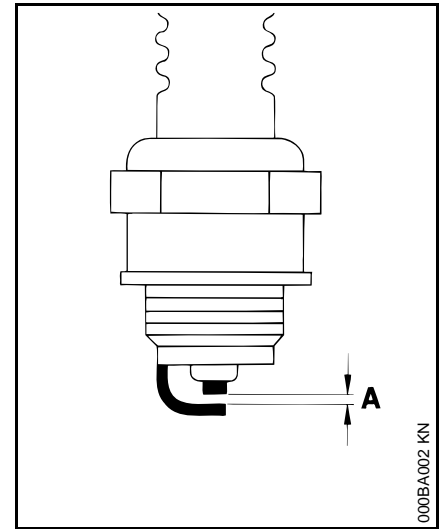
- Turn low speed screw (L) clockwise (about  $\frac{1}{4}$  turn) until the engine runs and accelerates smoothly.

Units with a catalytic converter\* may only be operated with **unleaded gasoline** and **STIHL two cycle engine oil** or equivalent quality two cycle engine oils in a mix ratio of 50:1 (see chapter "Fuel").

The catalytic converter in the muffler reduces noxious emissions in the exhaust gas.

Correct adjustment of the carburetor (if adjustable) and observance of the specified mix ratio of gasoline and two cycle engine oil are essential to minimize harmful exhaust emissions and ensure a long catalyst service life.

## Checking the Spark Plug



Wrong fuel mix (too much engine oil in the gasoline), a dirty air filter and unfavorable running conditions (mostly at part throttle etc.) affect the condition of the spark plug. These factors cause deposits to form on the insulator nose which may result in trouble in operation.

\* see "Guide to Using this Manual"

## Rewind Starter

If engine is down on power, difficult to start or runs poorly at idling speed, first check the spark plug.

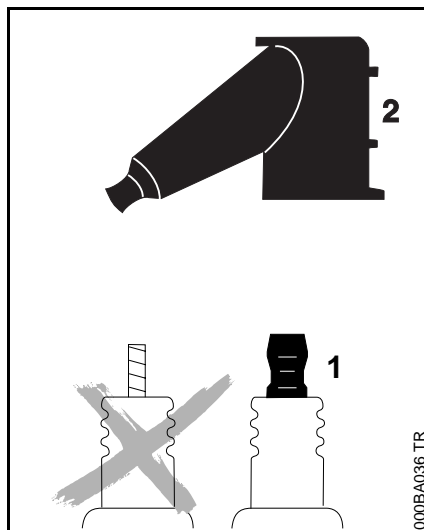
- Remove spark plug – see "Starting / Stopping the Engine".
- Clean dirty spark plug.
- Check electrode gap (**A**) and readjust if necessary – see "Specifications".
- Use only resistor type spark plugs of the approved range.

Rectify problems which have caused fouling of spark plug:

- Too much oil in fuel mix.
- Dirty air filter.
- Unfavorable running conditions, e.g. operating at part load.

### Fit a new spark plug after approx. 100 operating hours

or earlier if the electrodes are badly eroded.



**⚠** To reduce the risk of fire and burn injury, use only spark plugs authorized by STIHL. Always press spark plug boot (**2**) snugly onto spark plug terminal (**1**) of the proper size. (Note: If terminal has detachable SAE adapter nut, it must be attached.)

A loose connection between spark plug boot and ignition wire connector in the boot may create arcing that could ignite combustible fumes and cause a fire.

To help prolong the wear life of the starter rope, observe the following points:

- Pull the starter rope only in the direction specified.
- Do not pull the rope over the edge of the guide bushing.
- Do not pull out the rope more than specified since it might break.
- Do not let the starter grip snap back, guide it slowly into the housing. See also chapter "Starting / Stopping the Engine"!

**Replace a damaged starter rope in good time or have it replaced by your STIHL dealer!**

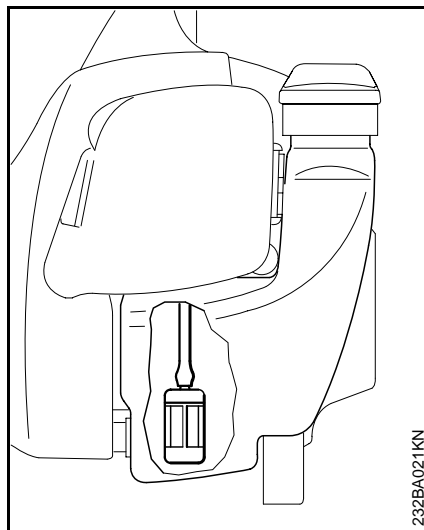


## Storing the Machine

For periods of about 3 months or longer:

- Drain and clean the fuel tank in a well ventilated area.
- Dispose fuel properly in accordance with local environmental requirements.
- Run the engine until the carburetor is dry – this helps prevent the carburetor diaphragms sticking together.
- Thoroughly clean the machine - pay special attention to the cylinder fins and the air filter.
- Remove the tool – clean and inspect it.
- Store the machine in a dry, high or locked location – out of the reach of children and other unauthorized persons.

## Inspections and Maintenance by STIHL Service



### Fuel pickup body in tank

- Have the pickup body in the fuel tank replaced every year.

### Spark arresting screen in the muffler\*

- If the engine is low on power, have the spark arresting screen in the muffler checked

\* see "Guide to Using this Manual"

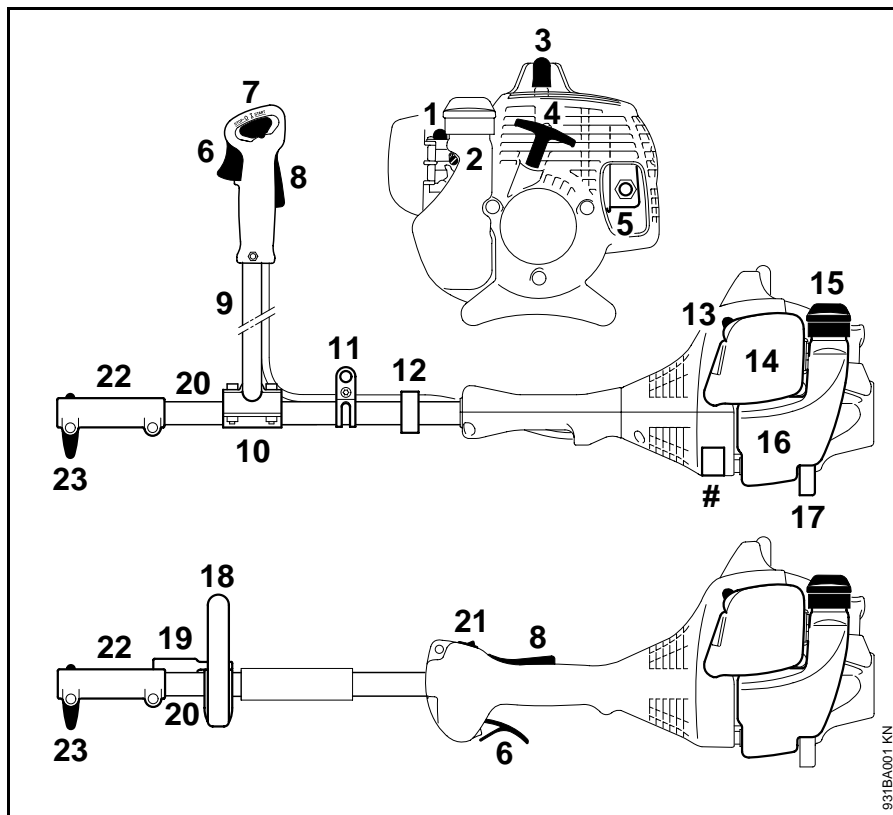
## Maintenance Chart

Please note that the following maintenance intervals apply for normal operating conditions. If your daily working time is longer than normal or working conditions are difficult (very dusty work area, etc.), shorten the specified intervals accordingly.		before starting work	after finishing work or daily	after each refueling stop	weekly	monthly	yearly	if problem	if damaged	as required
Complete machine	Visual inspection (condition, fuel and other leaks)	X		X						
	Clean		X							
Control handle	Check operation	X		X						
Air filter	Clean							X		X
	Replace by a servicing dealer <sup>1)</sup>								X	
Pick-up body	Check							X		
	Replace <sup>1)</sup>						X		X	X
Fuel tank	Clean							X		X
Carburetor	Check idle adjustment – working tool must not move	X		X						
	Readjust idle									X
Spark plug	Readjust electrode gap							X		
	Replace after about 100 operating hours									
Cooling inlets	Inspect		X							
	Clean									X
Spark arrestor* in muffler	Check		X					X		
	Have cleaned or replaced <sup>1)</sup>								X	X
Accessible screws and nuts (not adjusting screws))	Retighten									X
Illegible safety labels	Replace								X	

<sup>1)</sup> STIHL recommends that this work be done by a STIHL servicing dealer

\* See “Guide to Using this Manual”

## Main Parts and Controls



- 1= Fuel pump
- 2= Carburetor adjusting screw
- 3= Spark plug boot
- 4= Starter grip
- 5= Muffler  
(with spark arrester)\*
- 6= Throttle trigger
- 7= Slide control
- 8= Throttle trigger interlock
- 9= Bike handle
- 10= Handle support
- 11= Carrying ring
- 12= Throttle cable retainer
- 13= Choke lever
- 14= Air filter cover
- 15= Fuel filler cap
- 16= Fuel tank
- 17= Machine support
- 18= Loop handle
- 19= Barrier bar\*
- 20= Drive tube
- 21= Stop switch
- 22= Coupling sleeve
- 23= Wing screw
- # Serial number

\* see "Guide to Using this Manual"

## Definitions

- 1. Fuel Pump**  
Provides additional fuel feed for a cold start.
- 2. Carburetor Adjusting Screw**  
For tuning the carburetor.
- 3. Spark Plug Boot**  
Connects the spark plug to the ignition lead.
- 4. Starter Grip**  
The grip of the pull starter, which is the device to start the engine.
- 5. Muffler (with spark arrestor)**  
Reduces exhaust noises and diverts exhaust gases away from operator.
- 6. Throttle Trigger**  
Controls the speed of the engine.
- 7. Slide Control**  
For starting throttle, run and stop. Keeps the throttle partially open during starting, switches the engine's ignition off to stop the engine.
- 8. Throttle Trigger Interlock**  
Must be depressed before the throttle trigger can be activated.
- 9. Bike Handle**  
For easy control of the machine with both hands.
- 10. Handle Support**  
Connects the drive tube and bike handle.
- 11. Carrying Ring**  
Connects the machine to the harness.
- 12. Throttle Cable Retainer**  
Secures the throttle cable to the drive tube.
- 13. Choke Lever**  
Eases engine starting by enriching mixture.
- 14. Air Filter Cover**  
Encloses and protects the air filter.
- 15. Fuel Filler Cap**  
For closing the fuel tank.
- 16. Fuel Tank**  
For fuel mixture consisting of gasoline and oil.
- 17. Machine Support**  
For resting machine on the ground.
- 18. Loop Handle**  
For easy control of the machine.
- 19. Barrier Bar**  
Helps maintain clearance between working tool and feet and legs of operator.
- 20. Drive Tube**  
Encloses and protects the drive shaft between the engine and gearhead.
- 21. Stop Switch**  
Switches the engine ignition system off and stops the running of the engine.
- 22. Coupling Sleeve**  
Connects the drive tube to the lower part of the drive tube (stub shaft).
- 23. Wing Screw**  
Secures the lower part of the drive tube (stub shaft).

## Specifications

### Engine

#### EPA:

The Emission Compliance Period referred to on the Emissions Compliance Label indicates the number of operating hours for which the engine has been shown to meet Federal emission requirements.

Category A = 300 hours, B = 125 hours, C = 50 hours

#### CARB:

The Emission Compliance Period used on the CARB Air Index Label indicates the terms:

Extended = 300 hours  
Intermediate = 125 hours  
Moderate = 50 hours

Single cylinder two-stroke engine

Displacement: 1.66 cu.in  
(27.2 cm<sup>3</sup>)  
Bore: 1.34 in (34 mm)  
Stroke: 1.18 in (30 mm)  
Engine power to  
ISO 8893: 1 bhp (0.75 kW)  
Idle speed: 2,800 rpm  
Max. engine speed: 9,500 rpm

### Ignition System

Type: Electronic magneto ignition

Spark plug (resistor type): Bosch WSR 6 F,  
NGK BPMR 7 A  
Electrode gap: 0.02 in (0.5 mm)  
Spark plug thread: M 14 x 1.25;  
0.37 in lang  
(9.5 mm)

### Fuel System

Carburetor: All position diaphragm carburetor with integral fuel pump

Air filter: Felt element  
Fuel tank capacity: 0.7 US.pt (0.33 l)  
Fuel mix: see chapter  
"Fuel"

### Weight

#### Standard versions

dry, without CombiTool

KM 55 <sup>1)</sup>	9.3 lbs (4.2 kg)
KM 55 R	8.8 lbs (4.0 kg)
KM 55 C <sup>1) 2)</sup>	9.5 lbs (4.3 kg)
KM 55 R <sup>2)</sup>	9.0 lbs (4.1 kg)

<sup>1)</sup> Version with bike handle  
<sup>2)</sup> Version with catalytic converter  
R Version with loop handle

#### Versions with ErgoStart

dry, without CombiTool

KM 55 C <sup>1)</sup>	9.7 lb (4.4 kg)
KM 55 RC	9.3 lb (4.2 kg)
KM 55 C <sup>1) 2)</sup>	9.9 lb (4.5 kg)
KM 55 RC <sup>2)</sup>	9.5 lb (4.3 kg)

<sup>1)</sup> Version with bike handle  
<sup>2)</sup> Version with catalytic converter  
R Version with loop handle

## Special Accessories

Safety glasses

Shoulder strap

Full harness

Combination wrench

Carburetor screwdriver

STIHL ElastoStart (starter rope with grip)

Special resin-free lubricating oil


Contact your STIHL dealer for the latest information on these and other special accessories.

See also the information on special accessories in your CombiTool instruction manual.

## Maintenance and Repairs

Users of this unit should carry out only the maintenance operations described in this manual. Other repair work may be performed only by authorized STIHL service shops.

Warranty claims following repairs can be accepted only if the repair has been performed by an authorized STIHL servicing dealer using original STIHL replacement parts.

Original STIHL parts can be identified by the STIHL part number, the **STIHL** logo and, in some cases, by the STIHL parts symbol . This symbol may appear alone on small parts.

## **Not for California: STIHL Incorporated Federal Emission Control Warranty Statement**

### **Your Warranty Rights and Obligations**

The U.S. Environmental Protection Agency (EPA) and STIHL Incorporated are pleased to explain the Emission Control System Warranty on your equipment type engine. In the U.S. new 1997 and later model year small off-road equipment engines must be designed, built and equipped, at the time of sale, to meet the U.S. EPA regulations for small non road engines. The equipment engine must be free from defects in materials and workmanship which cause it to fail to conform with U.S. EPA standards for the first two years of engine use from the date of sale to the ultimate purchaser.

STIHL Incorporated must warrant the emission control system on your small off-road engine for the period of time listed below provided there has been no abuse, neglect or improper maintenance of your small off-road equipment engine.

Your emission control system includes parts such as the carburetor and the ignition system. Also included may be hoses, and connectors and other emission related assemblies.

Where a warrantable condition exists, STIHL Incorporated will repair your small off-road equipment engine at no cost to you, including diagnosis (if the diagnostic work is performed at an authorized dealer), parts, and labor.

### **Manufacturer's Warranty Coverage:**

In the U.S., 1997 and later model year small off-road equipment engines are warranted for two years. If any emission-related part on your engine is defective, the part will be repaired or replaced by STIHL Incorporated free of charge.

### **Owner's Warranty Responsibilities:**

As the small off-road equipment engine owner, you are responsible for the performance of the required maintenance listed in your owner's manual. STIHL Incorporated recommends that you retain all receipts covering maintenance on your small off-road equipment engine, but STIHL Incorporated cannot deny warranty solely for the lack of receipts or for your failure to ensure the performance of all scheduled maintenance.

Any replacement part or service that is equivalent in performance and durability may be used in non-warranty maintenance or repairs, and shall not reduce the warranty obligations of the engine manufacturer.

As the small off-road equipment engine owner, you should be aware, however, that STIHL Incorporated may deny you warranty coverage if your small off-road equipment engine or a part has failed due to abuse, neglect, improper maintenance or unapproved modifications.

You are responsible for presenting your small off-road equipment engine to a STIHL service center as soon as a problem exists. The warranty repairs will be completed in a reasonable amount of time, not to exceed 30 days.

If you have any questions regarding your warranty rights and responsibilities, please contact a STIHL customer service representative at 1-800-467-8445 or you can write to

STIHL Inc.,  
536 Viking Drive, P.O. Box 2015,  
Virginia Beach, VA 23450-2015.

### **Coverage by STIHL Incorporated**

STIHL Incorporated warrants to the ultimate purchaser and each subsequent purchaser that your small off-road equipment engine will be designed, built and equipped, at the time of sale, to meet all applicable regulations. STIHL Incorporated also warrants to the initial purchaser and each subsequent purchaser that your engine is free from defects in materials and workmanship which cause the engine to fail to conform with applicable regulations for a period of two years.

### **Warranty Period**

The warranty period will begin on the date the utility equipment engine is purchased by the initial purchaser and you have signed and sent back the warranty card to STIHL.

If any emission related part on your engine is defective, the part will be replaced by STIHL Incorporated at no cost to the owner. Any warranted part which is not scheduled for replacement as required maintenance, or which is scheduled only for regular inspection to the effect of "repair or replace as necessary" will be warranted for the warranty period. Any warranted part which is scheduled for replacement as required maintenance will be warranted for the period of time up to the first scheduled replacement point for that part.

### Diagnosis

You, as the owner, shall not be charged for diagnostic labor which leads to the determination that a warranted part is defective. However, if you claim warranty for a component and the machine is tested as non-defective, STIHL Incorporated will charge you for the cost of the emission test. Mechanical diagnostic work will be performed at an authorized STIHL servicing dealer. Emission test may be performed either at STIHL Incorporated or at any independent test laboratory.

### Warranty Work

STIHL Incorporated shall remedy warranty defects at any authorized STIHL servicing dealer or warranty station. Any such work shall be free of charge to the owner if it is determined that a warranted part is defective.

Any manufacturer-approved or equivalent replacement part may be used for any warranty maintenance or repairs on emission-related parts and must be provided without charge to the owner. STIHL Incorporated is liable for damages to other engine components caused by the failure of a warranted part still under warranty.

The following list specifically defines the emission-related warranted parts:

Carburetor  
Choke (Cold start enrichment system)  
Intake manifold  
Air filter  
Spark plug  
Magneto or electronic ignition system (ignition module)  
Catalytic converter (if applicable)  
Fasteners

### Where to make a claim for Warranty Service

Bring the product to any authorized STIHL servicing dealer and present the signed warranty card.

### Maintenance Requirements

The maintenance instructions in this manual are based on the application of the recommended 2-stroke fuel-oil mixture (see also instruction "Fuel"). Deviations from this recommendation regarding quality and mixing ratio of fuel and oil may require shorter maintenance intervals.

### Limitations

This Emission Control Systems Warranty shall not cover any of the following:

- repair or replacement required because of misuse, neglect or lack of required maintenance,
- repairs improperly performed or replacements not conforming to STIHL Incorporated specifications that adversely affect performance and/or durability, and alterations or modifications not recommended or approved in writing by STIHL Incorporated,

and

- replacement of parts and other services and adjustments necessary for required maintenance at and after the first scheduled replacement point.



## **For California only: STIHL Incorporated California Exhaust and Evaporative Emissions Control Warranty Statement**

### **Your Warranty Rights and Obligations**

The California Air Resources Board (CARB) and STIHL Incorporated are pleased to explain the emissions control system's warranty on your 2007 and later small off-road equipment engine.

In California, new equipment that use small off-engines must be designed, built, and equipped to meet the State's stringent anti-smog standards. STIHL Incorporated must warrant the emissions control system on your small off-road engine for the period listed below provided there has been no abuse, neglect or improper maintenance of your small off-road engine.

Your emissions control system may include parts such as:

Air filter, Carburetor, Purger, Choke (Cold start enrichment system), Control Linkages, Intake Manifold, Magneto or electronic ignition system (Ignition module), Spark plug, Catalytic converter (if applicable), Fuel Tank, Fuel Cap, Fuel Line, Fuel Line Fittings, Clamps, Fasteners.

Where a warrantable condition exists, STIHL Incorporated will repair your small off-road equipment engine at no cost to you including diagnosis, parts and labor.

### **Manufacturer's Warranty Coverage**

This emissions control system is warranted for two years in California. If any emissions-related part on your equipment is defective, the part will be repaired or replaced by STIHL Incorporated free of charge.

### **Owner's Warranty Responsibilities**

As the small off-road equipment engine owner, you are responsible for performance of the required maintenance listed in your Instruction manual. STIHL Incorporated recommends that you retain all receipts covering maintenance on your small off-road equipment engine, but STIHL Incorporated cannot deny warranty solely for the lack of receipts or your failure to ensure the performance of all scheduled maintenance.

As the small off-road equipment engine owner, you should however be aware that STIHL Incorporated may deny you warranty coverage if your small off-road equipment engine or a part has failed due to abuse, neglect, or improper maintenance or unapproved modifications.

You are responsible for presenting your small off-road equipment engine to a STIHL Service center as soon as the problem exists. The warranty repairs should be completed in a reasonable amount of time, not to exceed 30 days. If you have any questions regarding your warranty rights and responsibilities, please contact a STIHL customer service representative at 1-800-467-8445 or you can write to

STIHL Inc., 536 Viking Drive,  
P.O. Box 2015,  
Virginia Beach, VA 23450-2015.

### **Coverage by STIHL Incorporated**

STIHL Incorporated warrants to the ultimate purchaser and each subsequent purchaser that your small off-road equipment engine is designed, built and equipped, at the time of sale, to meet all applicable regulations.

STIHL Incorporated also warrants to the initial purchaser and each subsequent purchaser that your engine is free from defects in materials and workmanship which cause the engine to fail to conform to applicable regulations adopted by the Air Resources Board; and for a period of two years.

## Defects Warranty Period

The warranty periods will begin on the date the utility equipment engine is purchased by the initial purchaser. If any emission related part on your engine is defective, the part will be replaced by STIHL Incorporated at no cost to the owner.

Add on or modified parts that are not exempted by the Air Resources Board may not be used. The use of any non exempted add on or modified parts will be grounds for disallowing a warranty claim. STIHL Incorporated will not be liable to warrant failures of warranted parts caused by the use of a non exempted add on or modified part.

The warranty on emissions-related parts will be interpreted as follows:

1. Any warranted part that is not scheduled for replacement as required maintenance in the written instructions required in the Emission Warranty Parts List (see below) must be warranted for the warranty period defined in Subsection DEFECTS WARRANTY PERIOD, see above. If any such part fails during the period of warranty coverage, it must be repaired or replaced by the manufacturer according to Subsection (4) below. Any such part repaired or replaced under the warranty must be warranted for the remaining warranty period.

2. Any warranted part that is scheduled only for regular inspection in the written instructions required by the Emission Warranty Parts List. (see below) must be warranted for the warranty period defined in Subsection DEFECTS WARRANTY PERIOD, see above. A statement in such written instructions to the effect of "repair or replace as necessary" will not reduce the period of warranty coverage. Any such part repaired or replaced under warranty must be warranted for the remaining warranty period.

3. Any warranted part that is scheduled for replacement as required maintenance in the written instructions required by the Emission Warranty Parts List (see below) must be warranted for the period of time prior to the first scheduled replacement point for that part. If the part fails prior to the first scheduled replacement, the part must be repaired or replaced by the engine manufacturer according to Subsection (4) below. Any such part repaired or replaced under warranty must be warranted for the remainder of the period prior to the first scheduled replacement point for the part.

4. Repair or replacement of any warranted part under the warranty must be performed at a warranty station at no charge to the owner.

5. Notwithstanding the provisions of Subsection (4) above, warranty services or repairs will be provided at all manufacturer distribution centers that are franchised to service the subject engines.

6. The owner must not be charged for diagnostic labor that leads to the determination that a warranted part is in fact defective, provided that such diagnostic work is performed at a warranty station.

## Warranty Work

STIHL Incorporated shall remedy warranty defects at any authorized STIHL servicing dealer or warranty station. Any such work shall be free of charge to the owner if it is determined that a warranted part is defective. Any manufacturer approved or equivalent replacement part may be used for any warranty maintenance or repairs on emission related parts and must be provided without charge to the owner. STIHL Incorporated is liable for damages to other engine components caused by the failure of a warranted part still under warranty.

## Trademarks

### Emission Warranty Parts List

Air filter, Carburetor, Purger  
Choke (Cold start enrichment system)  
Control Linkages, Intake Manifold  
Magneto or electronic ignition system  
(Ignition module), Spark plug  
Catalytic converter (if applicable)  
Fuel Tank, Fuel Cap, Fuel Line, Fuel  
Line Fittings, Clamps, Fasteners

### Where to make a claim for Warranty Service

Bring the STIHL product to any  
authorized STIHL servicing dealer and  
present the signed STIHL warranty card.

### Limitations

The repair or replacement of any  
warranted part otherwise eligible for  
warranty coverage may be excluded  
from such warranty coverage if STIHL  
Incorporated demonstrates that the  
STIHL product has been abused,  
neglected, or improperly maintained,  
and that such abuse, neglect, or  
improper maintenance was the direct  
cause of the need for repair or  
replacement of the part. That  
notwithstanding, any adjustment of a  
component that has a factory installed,  
and properly operating, adjustment  
limiting device is still eligible for warranty  
coverage.

### STIHL Registered Trademarks

STIHL®

**STIHL**®



The color combination orange-grey  
(U.S. Registration #2,821,860)

4-MIX®

AUTOCUT®

EASYSTART®

OILOMATIC®

STIHL Cutquik®

STIHL DUROMATIC®

STIHL Farm Boss®

STIHL Quickstop®

STIHL ROLLOMATIC®

STIHL WOOD BOSS®

TIMBERSPORTS®

YARD BOSS®

### Some of STIHL's Common Law Trademarks

BioPlus™

Easy2Start™

EasySpool™

ElastoStart™

Ematic /Stihl-E-Matic™

FixCut™

HT Plus™

IntelliCarb™

Master Control Lever™

Micro™

Pro Mark™

Quad Power™

Quiet Line™

STIHL Arctic™

STIHL Compact™

STIHL HomeScaper Series™

STIHL Interchangeable Attachment  
Series™

STIHL Magnum /Stihl-Magnum™

STIHL MiniBoss™

STIHL MotoPlus 4™

STIHL Multi-Cut HomeScaper Series™

Stihl Outfitters™

STIHL PICCO™  
STIHL PolyCut™  
STIHL PowerSweep™  
STIHL Precision Series™  
STIHL Protech™  
STIHL RAPID™  
STIHL SuperCut™  
STIHL Territory™  
TapAction™  
TrimCut™

This listing of trademarks is subject to change.

Any unauthorized use of these trademarks without the express written consent of ANDREAS STIHL AG & Co. KG, Waiblingen is strictly prohibited.



## Contenido

Sistema Kombi .....	38	Declaración de garantía de STIHL Incorporated sobre el control de emisiones de gases de escape y emisiones por evaporación para el Estado de California .....	68
Guía para el uso de este manual ...	38	Marcas comerciales .....	70
Medidas de seguridad y técnicas de manejo .....	39		
Accesorios Kombi aprobados .....	46		
Montaje del manillar de bicicleta .....	47		
Montaje del mango tórico .....	48		
Colocación de la argolla de transporte .....	50		
Combustible .....	50		
Llenado de combustible .....	51		
Arranque / parada del motor .....	51		
Instrucciones de manejo .....	55		
Limpieza del filtro de aire .....	55		
Manejo del motor .....	56		
Ajuste del carburador .....	56		
Convertidor catalítico .....	58		
Revisión de la bujía .....	58		
Cuerda de arranque .....	59		
Almacenamiento de la máquina .....	60		
Inspecciones y mantenimiento por el centro de servicio STIHL .....	60		
Tabla de mantenimiento .....	61		
Controles y piezas principales .....	62		
Especificaciones .....	64		
Accesorios especiales .....	65		
Mantenimiento y reparaciones .....	65		
Declaración de garantía de STIHL Incorporated sobre sistemas de control de emisiones según normas Federales .....	66		

Permita que solamente las personas que comprenden la materia tratada en los manuales del motor KombiEngine y de la herramienta KombiTool manejen su herramienta motorizada.

Para obtener el rendimiento y satisfacción máximos de la herramienta motorizada STIHL, es importante leer y comprender las instrucciones de mantenimiento y precauciones de seguridad, que empiezan en la página 4, antes de usarlo.

Comuníquese con el concesionario o distribuidor de STIHL si no se entiende alguna de las instrucciones dadas en los dos manuales.



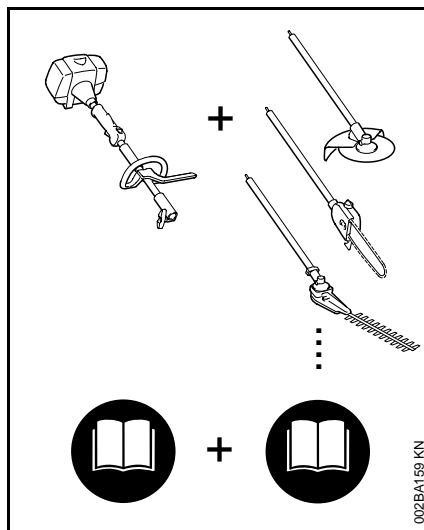
## Sistema Kombi

## Guía para el uso de este manual

### ⚠ Advertencia

Dado que la herramienta motorizada es una herramienta de gran velocidad, es necesario tomar medidas especiales de seguridad para reducir el riesgo de lesiones. El uso descuidado o inadecuado puede causar lesiones graves e incluso mortales.

La filosofía de STIHL es mejorar continuamente todos sus productos. Como resultado de ello, periódicamente se introducen cambios de diseño y mejoras. Por lo tanto, STIHL no puede responsabilizarse por los cambios, modificaciones o mejoramientos que no hayan sido cubiertos en este manual. Si las características de funcionamiento o la apariencia de su herramienta motorizada difieren de las descritas en este manual, comuníquese con el concesionario STIHL para obtener la información y ayuda que requiera.



Con el sistema Kombi de STIHL, varios motores Kombi y accesorios Kombi pueden combinarse para formar una herramienta motorizada. En este manual de instrucciones la unidad formada por el motor Kombi **y** el accesorio Kombi se identifica como la herramienta motorizada.

Hay manuales de instrucciones distintos para el motor Kombi y el accesorio Kombi.

Siempre **lea** y asegúrese que comprenda bien **ambos** manuales de instrucciones antes de arrancar y usar la máquina. Guarde los manuales en un lugar seguro para referencia futura.

### Pictogramas

Todos los pictogramas que se encuentran en la máquina se muestran y explican en este manual.

Las instrucciones de uso y manipulación vienen acompañadas de ilustraciones.

### Símbolos en el texto

Los pasos individuales o procedimientos descritos en el manual pueden estar señalados en diferentes maneras:

- Un punto identifica un paso o procedimiento sin referencia directa a una ilustración.

Una descripción de un paso o procedimiento que se refiere directamente a una ilustración puede tener números de referencia que aparecen en la ilustración.

Ejemplo:

Sulte el tornillo (1)

Palanca (2) ...

## Medidas de seguridad y técnicas de manejo



Dado que este motor Kombi es el motor para una herramienta motorizada que funciona a gran velocidad, es necesario tomar medidas especiales de seguridad para reducir el riesgo de lesiones personales.



Es importante que usted lea, comprenda bien y respete las siguientes advertencias y medidas de seguridad. Lea periódicamente los manuales de


instrucciones y las instrucciones de seguridad de su motor y accesorio Kombi. El uso descuidado o inadecuado puede causar lesiones graves o incluso mortales.


Pida a su concesionario STIHL que le enseñe el manejo de la herramienta motorizada. Respete todas las disposiciones, reglamentos y normas de seguridad locales del caso.


### **Advertencia !**


No preste ni alquile nunca su herramienta motorizada sin entregar los manuales de instrucciones. Asegúrese que todas las personas que utilicen la máquina lean y comprendan la información contenida en estos manuales.

Además de las instrucciones de uso, en este manual pueden encontrarse párrafos a los que usted debe prestar atención especial. Tales párrafos están marcados con los símbolos que se describen a continuación.

 Advertencia donde existe el riesgo de un accidente o lesiones personales o daños graves a la propiedad.

 Precaución donde existe el riesgo de dañar la máquina o los componentes individuales.

 Nota o sugerencia que no es esencial para el uso de la máquina, pero puede ayudar al operador a comprender mejor la situación y mejorar su manera de manejar la máquina.

 Nota o sugerencia sobre el procedimiento correcto con el fin de evitar dañar el medio ambiente.

### \* **Equipo y características**

Este manual de instrucciones puede describir varios modelos con diferentes características. Los componentes que no se encuentran instalados en todos los modelos y las aplicaciones correspondientes están marcados con un asterisco (\*). Esos componentes pueden ser ofrecidos como accesorios especiales por el concesionario STIHL.

### **Mejoramientos técnicos**

La filosofía de STIHL es mejorar continuamente todos sus productos. Como resultado de ello, periódicamente se introducen cambios de diseño y mejoras. Si las características de funcionamiento o la apariencia de su máquina difieren de las descritas en este manual, comuníquese con el concesionario STIHL para obtener la ayuda que requiera.

Por lo tanto, es posible que algunos cambios, modificaciones y mejoramientos no hayan sido descritos en este manual.



### **Advertencia !**

Nunca se debe permitir a los niños que usen esta herramienta motorizada. No se debe permitir la proximidad de otros, especialmente niños y animales, donde se esté utilizando la máquina.

### **Advertencia !**

Para reducir el riesgo de ocasionar lesiones a las personas en la cercanía y daños a la propiedad, nunca deje la herramienta motorizada en marcha desatendida. Cuando no está en uso (por ejemplo durante el descanso), apáguela y asegúrese que las personas no autorizadas no pueden usarla.

Las medidas de seguridad y avisos contenidos en este manual se refieren al uso de todas las herramientas motorizadas STIHL. Los distintos modelos pueden contar con piezas y controles diferentes. Vea la sección correspondiente de sus manuales de instrucciones del motor y accesorio Kombi para tener una descripción de los controles y la función de los componentes de su modelo.

El uso seguro de un motor Kombi atañe a

1. el operador
2. la herramienta motorizada
3. el uso de la herramienta motorizada.

## **EL OPERADOR**

### **Condición física**

Usted debe estar en buenas condiciones físicas y psíquicas y no encontrarse bajo la influencia de ninguna sustancia (drogas, alcohol, etc.) que le pueda restar visibilidad, destreza o juicio. No maneje esta máquina cuando está fatigado.

### **Advertencia !**

Esté alerta. Si se cansa, tómese un descanso. El cansancio puede provocar una pérdida del control. El uso de cualquier herramienta motorizada es fatigoso. Si usted padece de alguna dolencia que pueda ser agravada por la fatiga, consulte a su médico antes de utilizar esta máquina.

### **Advertencia !**

El uso prolongado de una herramienta motorizada (u otras máquinas) expone al operador a vibraciones que pueden provocar el fenómeno de Raynaud (dedos blancos) o el síndrome del túnel del carpio.

Estas condiciones reducen la capacidad de las manos de sentir y regular la temperatura, producen entumecimiento y ardor y pueden provocar trastornos nerviosos y circulatorios, así como necrosis de los tejidos.

No se conocen todos los factores que contribuyen a la enfermedad de Raynaud, pero el clima frío, el fumar y las enfermedades o condiciones físicas que afectan los vasos sanguíneos y la circulación de la sangre, como asimismo los niveles altos de vibración. Por lo tanto, para reducir el riesgo de la enfermedad de dedos blancos y del síndrome del túnel del carpio, sírvase notar lo siguiente:

- La mayor parte de las herramientas motorizadas de STIHL se ofrecen con un sistema antivibración (AV) cuyo propósito es reducir la transmisión de las vibraciones creadas por el motor a las manos del operador. Se recomienda el uso del sistema AV a aquellas personas que utilizan herramientas motorizadas en forma constante y regular.
- Use guantes y mantenga las manos abrigadas.
- Mantenga el sistema AV en buen estado. Una herramienta motorizada con los componentes flojos o con amortiguadores AV dañados o desgastados también tendrá tendencia a tener niveles más altos de vibración.
- Agarre firmemente los mangos en todo momento, pero no los apriete con fuerza constante y excesiva. Tómese descansos frecuentes.

Todas las precauciones antes mencionadas no le garantizan que va a estar totalmente protegido contra la enfermedad de Raynaud o el síndrome del túnel del carpio. Por lo tanto, los operadores constantes y regulares deben revisar con frecuencia el estado de sus manos y dedos. Si aparece alguno de los síntomas arriba mencionados, consulte inmediatamente al médico.

### **Advertencia !**

El sistema de encendido de la máquina STIHL produce un campo electromagnético de intensidad muy baja. El mismo puede interferir con algunos tipos de marcapasos. Para reducir el riesgo de lesiones graves o mortales, las personas portadoras de marcapasos deben consultar a sus médicos y al fabricante del marcapasos antes de usar esta máquina.

### **Vestimenta adecuada**

#### **Advertencia !**

Para reducir el riesgo de lesiones el operador debe usar el equipo protector adecuado.

#### **Advertencia !**



El ruido de la herramienta motorizada puede dañar los oídos. Siempre use amortiguadores del ruido (tapones u orejeras) para protegerse los oídos.

Los usuarios constantes y regulares debensometerse con frecuencia a un examen o control auditivo.

Esté especialmente alerta y tenga cuidado cuando se usa protectores de oídos, ya que los mismos reducen la posibilidad de oír señales de advertencia (gritos, alarmas, etc.).

Para instrucciones adicionales acerca de la ropa adecuada, vea las precauciones de seguridad, en el manual de de instrucciones del accesorio Kombi que está usando.

### **LA HERRAMIENTA MOTORIZADA**

Para las ilustraciones y definiciones de los componentes de la herramienta motorizada, vea el capítulo "Piezas principales y controles".

#### **Advertencia !**

Nunca modifique, de ninguna manera, esta herramienta motorizada. Utilice únicamente los accesorios suministrados por STIHL o expresamente autorizados por STIHL para usarse con el modelo específico de motor Kombi de STIHL. Si bien es posible conectar a la herramienta motorizada de STIHL ciertos accesorios no autorizados, su uso puede ser, en la práctica, extremadamente peligroso.

Si la máquina experimenta cargas excesivas para las cuales no fue diseñada (por ejemplo, impactos severos o una caída), siempre asegúrese que la máquina está en buenas condiciones antes de seguir con el trabajo. Inspeccione específicamente la integridad del sistema de combustible (ausencia de fugas) y asegúrese que los controles y dispositivos de seguridad funcionan como es debido. No siga manejando esta máquina cuando si la misma está dañada. En caso de dudas, pida que el concesionario de servicio de STIHL la revise.

### **USO DE LA HERRAMIENTA MOTORIZADA**

#### **Transporte de la herramienta motorizada**

##### **Advertencia !**

Antes de apoyar la herramienta motorizada en el suelo, siempre apague el motor y asegúrese de que el accesorio ha dejado de girar. Cuando transporte la herramienta motorizada en un vehículo, sujétela firmemente para impedir su vuelco, el derrame de combustible y el daño a la herramienta motorizada.

## Combustible

Su herramienta motorizada de STIHL utiliza una mezcla de aceite y gasolina como combustible (vea el capítulo "Combustible" en el manual de instrucciones).

### ⚠ Advertencia !



La gasolina es un combustible muy inflamable. Si se derrama y arde a causa de una chispa u otra fuente de ignición, puede provocar un incendio y quemaduras graves o daños a la propiedad. Tenga sumo cuidado cuando manipule gasolina o la mezcla de combustible.

No fume cerca del combustible o la herramienta motorizada, ni acerque ningún fuego o llama a ellos. Puede escapar vapor inflamable del sistema de combustible.

No fume cerca del combustible o la herramienta motorizada, ni acerque ningún fuego o llama a ellos. Puede escapar vapor inflamable del sistema de combustible.

## Instrucciones para el llenado de combustible

### ⚠ Advertencia !

Cargue de combustible su herramienta motorizada en lugares al aire libre bien ventilados. Siempre apague el motor y deje que se enfríe antes de llenar de combustible. Dependiendo del combustible utilizado, de las condiciones climáticas y del sistema de ventilación del tanque, es posible que se forme vapor de gasolina a presión dentro del tanque de combustible.

Para reducir el riesgo de quemaduras, así como otras lesiones corporales ocasionadas por los escapes de vapor de gasolina y otras emanaciones, quite la tapa de llenado de combustible de la herramienta motorizada cuidadosamente de modo que la presión que se pueda haber acumulado en el tanque se disipe lentamente. Nunca quite la tapa de llenado de combustible mientras el motor está funcionando.

Elija una superficie despejada para llenar el tanque y aléjese 3 m (10 pies) por lo menos del lugar en que lo haya llenado antes de arrancar el motor. Limpie todo el combustible derramado antes de arrancar la máquina.

### ⚠ Advertencia !

Compruebe que no existen fugas de combustible mientras llena el tanque y durante el funcionamiento de la máquina. Si detecta alguna fuga de combustible, no arranque el motor ni lo haga funcionar sin antes reparar la fuga y limpiar el combustible derramado. Tenga cuidado de no mancharse la ropa con combustible. Si la mancha, cámbiesela inmediatamente.

El tipo de tapa de llenado difiere con los distintos modelos.

## Tapa con empuñadura

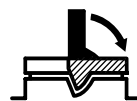
### ⚠ Advertencia !

Para reducir el riesgo de derramar combustible y provocar un incendio debido a una tapa de combustible mal apretada, coloque la tapa en la posición correcta y apriétela en la boca de llenado del tanque.



Para hacer esto con esta tapa STIHL, levante la empuñadura en la parte superior de la tapa hasta dejarla vertical a un ángulo de 90°.

Inserte la tapa en la boca de llenado del tanque, alineando las marcas triangulares en la empuñadura de la tapa y en la boca del tanque. Utilizando la empuñadura, gire la tapa firmemente en sentido horario hasta donde tope (aprox. un cuarto de vuelta).



Doble la empuñadura dejándola a ras con la parte superior de la tapa. Si no queda totalmente a ras y el tope en la empuñadura no encaja en el

huevo correspondiente en el cuello de llenado, la tapa está mal asentada y apretada, se deberán repetir los pasos anteriores.

## Tapa roscada

### ⚠ Advertencia !



Las vibraciones de la máquina pueden aflojar una tapa de combustible que ha quedado mal apretada, o simplemente soltarla y derramar combustible. Para reducir el riesgo de derrames e incendio, apriete la tapa de llenado de combustible a mano tan firmemente como sea posible.

## Antes de arrancar

### ⚠ Advertencia !

Siempre revise el motor Kombi para comprobar que está en buenas condiciones y que funciona correctamente antes de arrancarla, en particular el gatillo de aceleración y su bloqueo, el interruptor de parada y el accesorio. El gatillo de aceleración (si lo hay) debe moverse libremente y siempre debe retornar a la posición de ralentí por la acción de resorte. Nunca intente modificar los controles o los dispositivos de seguridad.

### ⚠ Advertencia !

Nunca use una herramienta motorizada que esté dañada o mal cuidada.

### ⚠ Advertencia !

Asegúrese que el casquillo de la bujía esté firmemente colocado – un casquillo suelto puede crear un arco voltaico y encender los vapores del combustible, provocando un incendio.

Mantenga los mangos limpios y secos en todo momento; es particularmente importante mantenerlos libres de humedad, aceite, grasa o resinas para garantizar que la máquina pueda empuñarse firmemente para mantenerla bajo control seguro.

## Arranque

Arranque el motor al aire libre, por lo menos 3 m (10 pies) del lugar en que lo haya llenado.

Para las instrucciones específicas de arranque, vea la sección correspondiente de los manuales del motor y accesorio Kombi. Coloque la herramienta motorizada sobre suelo firme u otra superficie sólida en un lugar abierto. Mantenga el equilibrio y elija un buen punto de apoyo para los pies.

### ⚠ Advertencia !

Para reducir el riesgo de lesiones debido a la pérdida de control, esté absolutamente seguro que la herramienta motorizada se encuentra lejos de su cuerpo y de todas las obstrucciones y objetos, incluido el suelo, porque al arrancar el motor acelerado, su velocidad será lo suficientemente rápida para que el embrague se engrane y haga funcionar la herramienta motorizada.

### ⚠ Advertencia !

Su herramienta motorizada es una máquina que debe ser manejada por solamente una persona. No deje que otras personas estén en el lugar de trabajo, aun durante el arranque.

### ⚠ Advertencia !

Para reducir el riesgo de sufrir lesiones causadas por la pérdida de control, no intente arrancar el motor de la herramienta "por lanzamiento".

### ⚠ Advertencia !

Cuando tire del mango de arranque, no enrolle la cuerda de arranque alrededor de la mano. No deje que el mango retroceda bruscamente, sino guíe la cuerda de arranque para que se enrolle debidamente. Si no ejecuta este procedimiento puede lastimarse la mano o los dedos y también dañar el mecanismo de arranque.

Vea también las precauciones de seguridad de arranque en el manual de instrucciones del accesorio Kombi.

## Ajustes importantes

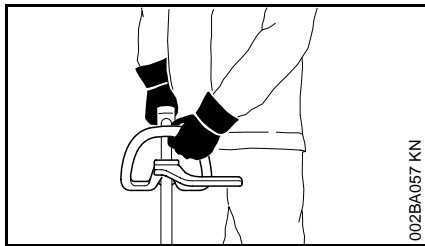
### ⚠ Advertencia !

Para reducir el riesgo de lesiones personales debido a la pérdida de control o al contacto con la herramienta motorizada en movimiento, no use una herramienta cuyo ralentí está mal regulado. Cuando el ralentí está correctamente regulado, la herramienta motorizada no debe girar. Para instrucciones acerca de cómo ajustar la velocidad de ralentí, vea la sección correspondiente del manual de instrucciones. Si no puede regular correctamente el ralentí, pida a su concesionario STIHL que revise la herramienta motorizada y haga los ajustes o reparaciones correspondientes.

## Durante el trabajo

### Sujeción y control de la herramienta motorizada

Al trabajar, sujete la máquina firmemente con ambas manos en los mangos. Cierre firmemente los dedos y pulgares sobre los mangos.



La mano derecha debe sujetar el mango trasero. Esto también corresponde a personas zurdas.

### Condiciones de trabajo

Maneje y arranque su herramienta motorizada solamente al aire libre en un lugar bien ventilado. Manéjela solamente en condiciones de buena visibilidad y a la luz del día. Trabaje con mucho cuidado.

### ⚠ Advertencia !



Tan pronto arranca, este producto genera vapores de escape tóxicos que contienen productos químicos (tales como hidrocarburos sin quemar y monóxido del carbono) considerados como causantes de enfermedades respiratorias, cáncer, defectos de nacimiento u otra toxicidad reproductora. Algunos de estos gases (por ej., monóxido de carbono) pueden ser incoloros e inodoros. Para reducir el riesgo de sufrir lesiones graves o mortales por respirar gases tóxicos, nunca haga funcionar la máquina puertas adentro o en lugares mal ventilados.

## Instrucciones de manejo

### ⚠ Advertencia !

No maneje la herramienta motorizada usando el bloqueo de acelerador para arranque, pues no tendrá control de la velocidad del motor.

En caso de emergencia, apague el motor inmediatamente – mueva el control deslizante / interruptor de parada a 0 o STOP.

### ⚠ Advertencia !

El silenciador y otros componentes del motor (por ej., aletas del cilindro, bujía) se calientan durante el funcionamiento y permanecen calientes por un buen rato después de apagar el motor. Para reducir el riesgo de quemaduras, no toque el silenciador y otros componentes mientras están calientes.

### ⚠ Advertencia !

Para reducir el riesgo de incendio y lesiones por quemadura, mantenga limpia la zona alrededor del silenciador. Quite el lubricante excesivo y toda la basura tal como las agujas de pinos,

ramas u hojas. Deje que el motor se enfríe apoyado sobre una superficie de hormigón, metal, suelo raso o madera maciza (por ej., el tronco de un árbol caído) lejos de cualquier sustancia combustible.

### Advertencia !

Nunca modifique el silenciador. El silenciador podría dañarse y causar el aumento de la radiación de calor o chispas, aumentando así el riesgo de incendio y lesiones por quemadura. Además, se podría dañar permanentemente el motor. Haga reparar el silenciador únicamente por el concesionario de servicio STIHL.

### Convertidor catalítico

#### Advertencia !



Algunas herramientas motorizadas STIHL están equipadas con un convertidor catalítico, el que está diseñado para reducir las emisiones de escape del motor mediante un proceso químico en el silenciador. Debido a este proceso, el silenciador no se enfría tan rápidamente como los del tipo convencional cuando el motor regresa a ralentí o es apagado. Para reducir el riesgo de incendio y de lesiones por quemadura, es necesario respetar las siguientes medidas de seguridad específicas.

#### Advertencia !

Como un silenciador con convertidor catalítico se enfría más lentamente que los silenciadores convencionales, apoye siempre su herramienta motorizada en posición vertical y no la coloque nunca donde el silenciador quede cerca de material seco como por ejemplo matorrales, pasto o virutas de madera, o sobre otros materiales combustibles mientras todavía está caliente.

#### Advertencia !

Una caja de cilindro dañada o mal instalada, o una envuelta del silenciador dañada o deformada, puede perjudicar el proceso de enfriamiento del convertidor catalítico. Para reducir el riesgo de incendio o lesiones por quemadura, no continúe trabajando con una caja de cilindro dañada o mal instalada, o una envuelta del silenciador dañada o deformada.

El convertidor catalítico está dotado de rejillas diseñadas para reducir el riesgo de incendio debido a la emisión de partículas calientes. Debido al calor de la reacción catalítica, estas rejillas normalmente permanecen limpias y no necesitan servicio o mantenimiento. Si el rendimiento de su máquina comienza a disminuir y sospecha que las rejillas están obstruidas, haga reparar el silenciador por un concesionario de servicio STIHL.

## MANTENIMIENTO, REPARACION Y ALMACENAMIENTO

**Los trabajos de mantenimiento, reemplazo o reparación de los dispositivos y sistemas de control de emisiones de escape pueden ser realizados por cualquier taller o técnico de motores no diseñados para vehículos. Sin embargo, si usted está reclamando cobertura de garantía para algún componente que no ha sido reparado o mantenido debidamente, o cuando se utilizan repuestos no autorizados, STIHL puede denegar la garantía.**

#### Advertencia !

Utilice solamente piezas de repuesto de STIHL para el mantenimiento y reparación. El uso de piezas no fabricadas por STIHL puede causar lesiones graves o mortales.

Siga precisamente las instrucciones de mantenimiento y reparación dadas en la sección correspondiente de los manuales de instrucciones del motor y del accesorio Kombi. Consulte las tablas de mantenimiento y las notas de mantenimiento en estos manuales.

## Accesorios Kombi aprobados

### ⚠ Advertencia !

Siempre apague el motor y verifique que el accesorio está parado antes de llevar a cabo cualquier trabajo de mantenimiento, reparación o limpieza del accesorio motorizado. No intente hacer ningún trabajo de mantenimiento o reparación que no esté descrito en su manual de instrucciones del motor o del accesorio Kombi. Este tipo de trabajo debe realizarse únicamente por el concesionario de servicio de STIHL.

### ⚠ Advertencia !

Use la bujía especificada y asegúrese de que ella y el cable de encendido están limpios y en buen estado. Siempre inserte el manguito de la bujía bien apretado en el borne de la bujía del tamaño adecuado. (Nota: Si el borne tiene una tuerca adaptadora SAE desmontable, tiene que ser instalada.) Una conexión suelta entre el casquillo de la bujía y el conector del cable de encendido en el casquillo puede crear un arco voltaico y encender los vapores del combustible, provocando un incendio.

### ⚠ Advertencia !

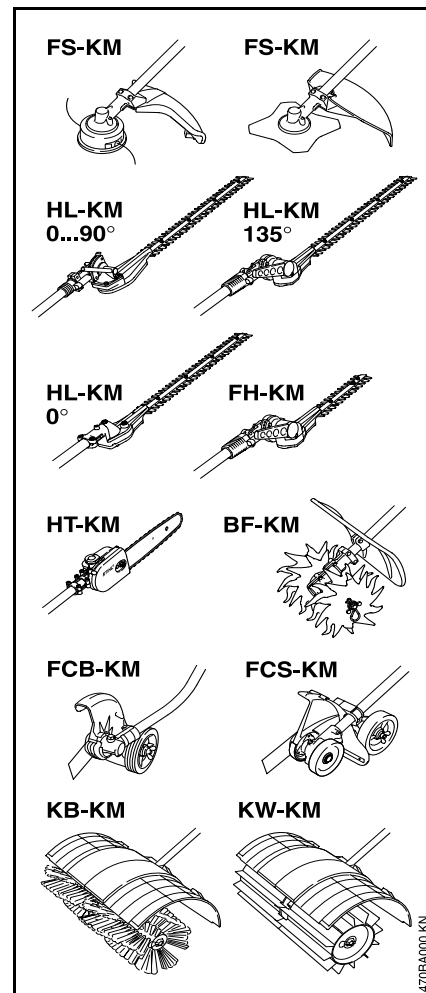
No pruebe nunca el sistema de encendido con el casquillo del cable de encendido desconectado de la bujía, o sin tener instalada la bujía, ya que las chispas al descubierto pueden causar un incendio.

### ⚠ Advertencia !

Nunca maneje su herramienta motorizada si el silenciador está dañado, se ha perdido o si fue modificado. Un silenciador mal cuidado aumenta el riesgo de incendio y puede causar pérdida del oído. Si el silenciador está equipado con un chispero para reducir el riesgo de incendio, no maneje nunca su herramienta motorizada si le falta el chispero o está dañado. Recuerde que el riesgo de incendios forestales es mayor durante las estaciones calurosas y secas.

Guarde la herramienta motorizada en un lugar seco y elevado o con llave lejos del alcance de los niños.

Antes de guardar la máquina durante un período de más de algunos días, siempre vacíe el tanque de combustible. Consulte el capítulo "Almacenamiento de la máquina" en este manual.

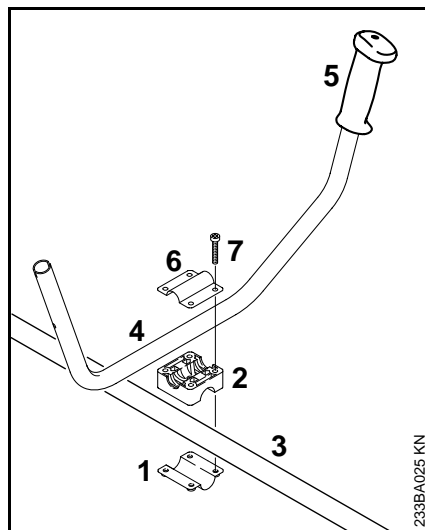


## Montaje del manillar de bicicleta

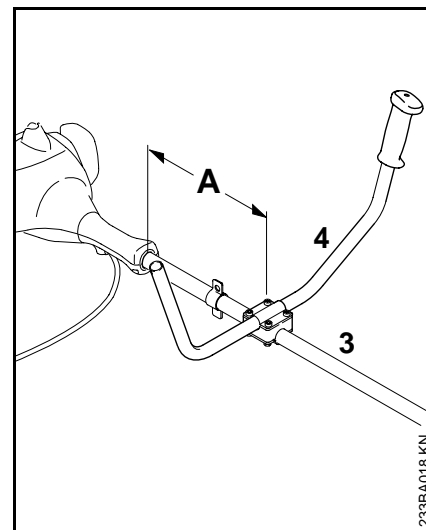
Los siguientes accesorios Kombi de STIHL pueden conectarse al motor Kombi

Accesorio Kombi	Propósito
FS-KM	Cortadora de matorrales con cabeza segadora
FS-KM <sup>1)</sup>	Cortadora de matorrales con cuchilla para recortar pasto
HL-KM 0/90° <sup>1) 2)</sup>	Cortasetos ajustable
HL-KM 135° <sup>1) 2)</sup>	Cortasetos ajustable
HL-KM 0° <sup>2)</sup>	Cortasetos
FH-KM <sup>1)</sup>	Motoguadaña
HT-KM <sup>2)</sup>	Podador de varilla
BF-KM <sup>1)</sup>	Cultivadora de púas ganzúas
FCB-KM <sup>2)</sup>	Orilladora
FCS-KM <sup>2)</sup>	
KB-KM <sup>2)</sup>	Cepillo barredor
KW-KM <sup>2)</sup>	Barredora Power-Sweep

- 1) La **barra de defensa debe** instalarse en el mango tórico
- 2) No es adecuada ni aprobada para los motores Kombi con manillar tipo bicicleta



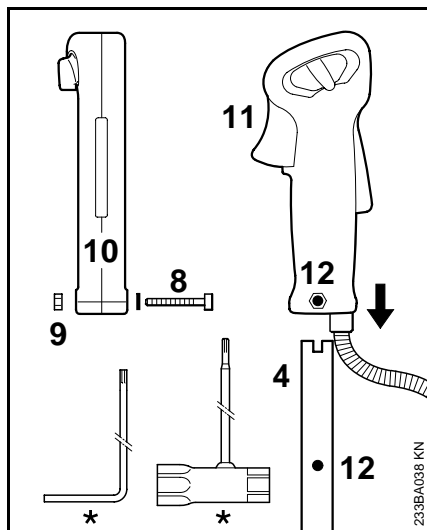
- Coloque la abrazadera (1) y el soporte del manillar (2) en el tubo de mando (3).
- Ponga el manillar (4) en su soporte - la empuñadura de caucho (5) debe quedar a la izquierda (vista desde el motor).
- Coloque la abrazadera (6) en el soporte del mango.
- Inserte los tornillos (7) en los agujeros y atornillelos hasta donde topen en la abrazadera.



- Sujete el manillar (4) en el eje impulsor (3) a una distancia (A) de aprox. 12 pulg (30 cm) del motor.
- Alinee el manillar.
- Apriete los tornillos firmemente.



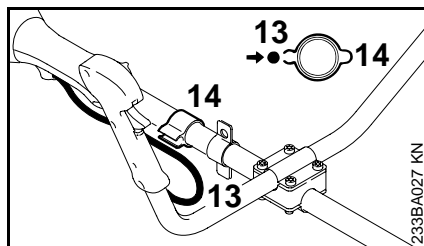
## Montaje del mango tórico



### Instalación del mango de control

- Afloje el tornillo 8) y retírelo con la arandela. La tuerca 9) permanece en el mango de control (10).
- Empuje el mango de control contra el manillar (4) - el gatillo de aceleración (11) debe apuntar hacia el mecanismo.
- Alinee los agujeros (12).
- Coloque el tornillo y la arandela en el mango de control y apriételos firmemente.

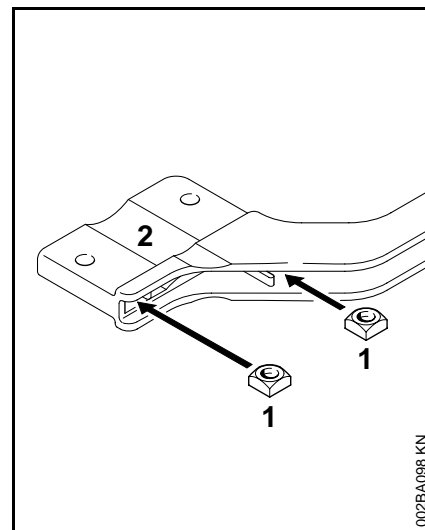
\* consulte el capítulo "Guía para el uso de este manual"



### Instalación del cable del acelerador

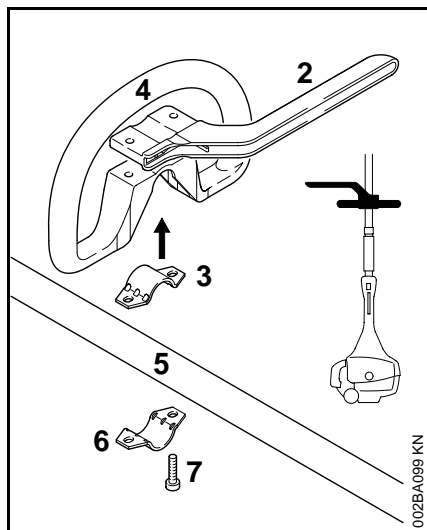
No tuerza el cable del acelerador - asegúrese de que el gatillo se mueva libremente.

- Inserte el cable del acelerador (13) en los retenedores (14).

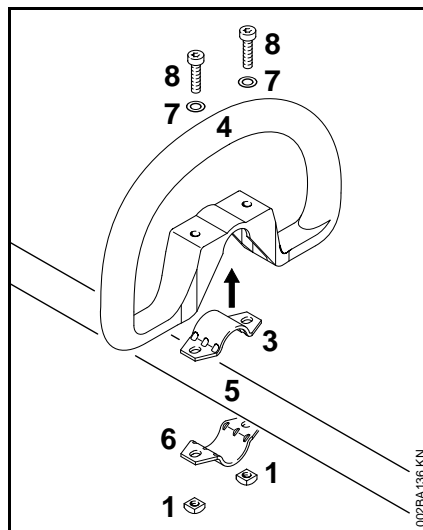


### Mango tórico con barra de defensa

- Inserte las tuercas cuadradas (1) en la barra de defensa (2).
- Alinee los agujeros.

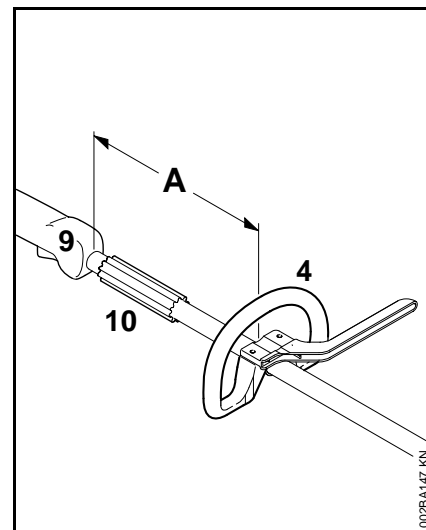


- Coloque la abrazadera (3) en el mango tórico (4) y ponga los dos en posición contra el tubo de mando (5).
- Instale la abrazadera (6) y coloque la barra de defensa (2) en posición. Observe la posición correcta.
- Alinee los agujeros.
- Inserte los tornillos (7) en los agujeros y atorníllelos en la barra de defensa hasta donde topen.
- Prosiga a "Fijación del mango tórico".



### Mango tórico sin barra de defensa

- Coloque la abrazadera (3) en el mango tórico (4) y ponga los dos en posición contra el tubo de mando (5).
- Coloque las arandelas (7) en los tornillos (8).
- Inserte los tornillos (8) en los agujeros y atorníllelos en las tuercas cuadradas (1) hasta donde topen.
- Prosiga a "Fijación del mango tórico".



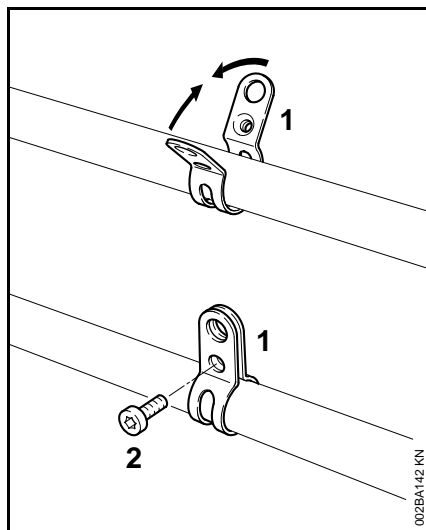
### Fijación del mango tórico

- Fije el mango tórico (4) aprox. a 8 pulg (20 cm) (A) delante del mango de control (9).
- Alinee el mango tórico.
- Apriete los tornillos firmemente y, si es necesario, trabe las tuercas.

10= Manguito\*

\* vea "Guía para el uso de este manual"

## Colocación de la argolla de transporte\*



- Para la posición de la argolla de transporte<sup>1)</sup> consulte la sección "Piezas y controles"
- Coloque la abrazadera (1) con el agujero roscado hacia el lado izquierdo del tubo de mando.
- Apriete juntos los dos extremos de la abrazadera y sosténgala en esa posición.
- Inserte el tornillo M6 x 14 (2).
- Alinee la argolla de transporte.
- Apriete el tornillo firmemente.

1) Parte del equipo estándar o disponible como un accesorio especial

## Combustible

Este motor está certificado para funcionar con una mezcla de 50 a 1 de gasolina sin plomo y aceite STIHL para motores de dos tiempos.

Su motor requiere una mezcla de gasolina de calidad y aceite de calidad para motores de dos tiempos enfriados por aire.

Use gasolina sin plomo regular con un octanaje mínimo de 89 (R+M/2). Si el octanaje de la gasolina regular en su zona es más bajo, use combustible sin plomo superior.

El combustible de octanaje bajo puede aumentar la temperatura de funcionamiento del motor. Esto, a su vez, aumenta el riesgo de que se agarrote el pistón y se dañe el motor.

La composición química del combustible también es importante. Algunos aditivos de combustible no solamente tienen efectos perjudiciales en los elastómeros (diafragmas de carburador, sellos de aceite, tuberías de combustible, etc.), sino también en las piezas fundidas de magnesio y en los convertidores catalíticos. Esto podría causar problemas de funcionamiento e incluso daño del motor. Por esta razón, STIHL recomienda el uso exclusivo de gasolina sin plomo de buena calidad.

Use solamente el aceite STIHL para motores de dos tiempos o un aceite de marca equivalente para motores de dos tiempos diseñado para usar exclusivamente con los motores de dos tiempos enfriados por aire.

Recomendamos el aceite STIHL para motores de dos tiempos 50:1 pues está especialmente formulado para usarse en motores STIHL.

No use aceites para mezclar con designaciones BIA o TCW (para motores de dos tiempos enfriados por agua) ni otros aceites para mezclar diseñados para usar en motores enfriados por agua o por aire (por ejemplo, para motores marinos fuera de borda, motonieves, sierras de cadenas, bicimotos, etc.).

Manipule la gasolina con sumo cuidado. Evite el contacto directo con la piel y evite inhalar los vapores de combustible. Cuando se reabastece de combustible, quite primero el envase del vehículo y colóquelo en el suelo antes de llenarlo. No llene un envase que está en un vehículo o apoyado sobre el mismo.

Mantenga el envase bien cerrado para evitar la entrada de humedad a la mezcla.

Según sea necesario, limpie el tanque de combustible de la máquina y el envase en que se guarda la mezcla de combustible.

## Llenado de combustible



## Arranque / parada del motor

### Duración de la mezcla de combustible

Mezcle una cantidad suficiente de combustible para trabajar unos pocos días, no lo guarde por más de 3 meses. Guárdelo únicamente en envases aprobados para combustible. Para el proceso de mezclado, vierta el aceite en el envase primero y luego agregue la gasolina. Cierre el envase y agítelo vigorosamente a mano para asegurar que se mezclen bien el aceite y la gasolina.

Gasolina      Aceite (STIHL 50:1 ó aceite de calidad equivalente)

gal EE.UU.	oz fl EE.UU.
1	2.6
2 1/2	6.4
5	12.8

Deseche los envases vacíos usados para mezclar el aceite únicamente en vertederos autorizados para ello.

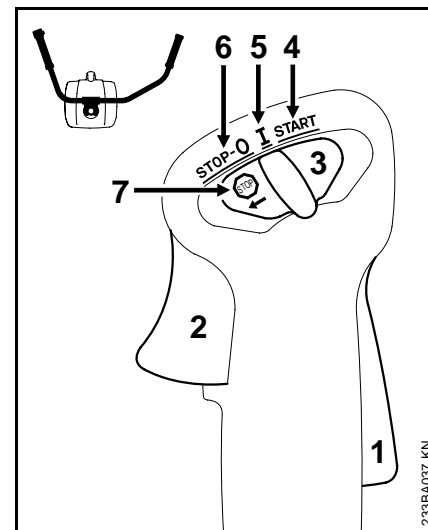


Antes de llenar de combustible, limpie la tapa de llenado y el área alrededor de ella para asegurarse que no caiga tierra o mugre al tanque.

Agite completamente la mezcla en el recipiente antes de vaciarla al tanque de la máquina.

**⚠** Para reducir el riesgo de quemaduras, así como otras lesiones corporales ocasionadas por los escapes de vapor de gasolina y otras emanaciones, quite la tapa de llenado de combustible cuidadosamente de modo que la presión que se pueda haber acumulado en el tanque se disipe lentamente.

**⚠** Después de llenar de combustible, apriete a mano la tapa del tanque lo **más apretada posible**.



### Versión con manillar tipo bicicleta

#### Controles

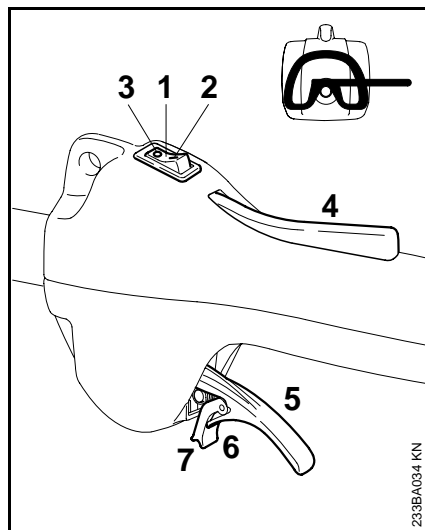
Bloqueo del gatillo de aceleración (1), gatillo de aceleración (2) y control deslizante (3) con las posiciones:

#### ARRANQUE (4)

La posición normal de marcha **I** (5) y **STOP-O** (6) – para apagar el motor, mueva el control deslizante hacia **t** (7).

## Arranque

- Mantenga oprimido el bloqueo del gatillo y oprima el gatillo de aceleración.
- Mantenga las dos palancas en esa posición.
- Mueva el control deslizante hacia la posición **START** y manténgalo en esa posición.
- Ahora suelte el gatillo de aceleración, el control deslizante y el bloqueo del gatillo, en el orden indicado. Esta es la **posición de arranque del acelerador**.
- Prosiga a “**Todas las versiones**”



### Versión con mango tórico

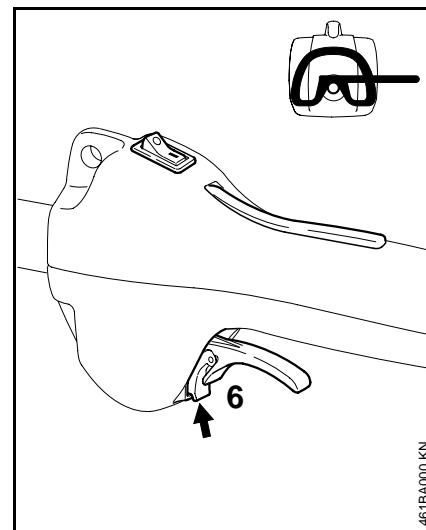
#### Controles

Interruptor de parada (1) con las posiciones:

Posición de marcha normal I (2), y  
**O** – parada (3).

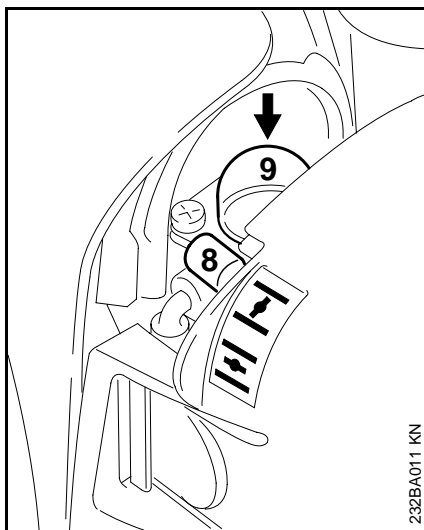
Bloqueo del gatillo de aceleración (4).

Gatillo de aceleración (5) con pestaña (6) y traba (7).

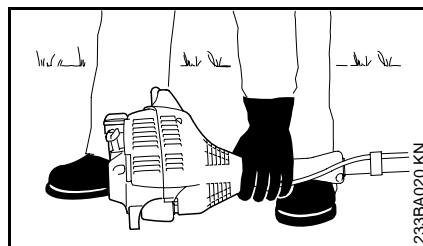


### Arranque

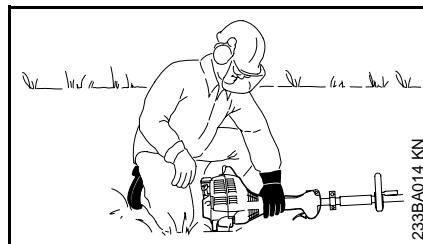
- Mueva el interruptor de parada a la posición I
- Mantenga oprimido el bloqueo del gatillo de aceleración.
- Oprima el gatillo de aceleración hasta que la traba de la pestaña (6) se enganche en la caja.
- Ahora suelte el gatillo de aceleración, la pestaña y el bloqueo del gatillo, en el orden indicado. Esta es la **posición de arranque del acelerador**.
- Prosiga a “**Todas las versiones**”.



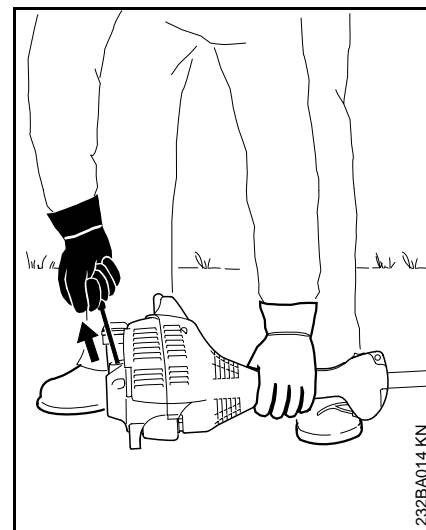
233BA011 KN



233BA020 KN



233BA014 KN



233BA014 KN

### Todas las versiones

- Coloque la palanca del estrangulador (8):  
**Para arranque en frío en I**  
**Para arranque en caliente en II**  
 – también utilice esta posición si el motor ha estado en marcha, pero todavía se encuentra frío.
- Oprima el bulbo (9) de la bomba de combustible por lo menos cinco veces, aunque el bulbo esté lleno de combustible.

- Coloque la máquina sobre el suelo. Asegúrese que la herramienta no está tocando el suelo ni otros obstáculos. Vea también el capítulo "Arranque/parada del motor" en el manual de instrucciones de la CombiTool.
- Asegúrese de tener los pies bien apoyados.
- Empuje la máquina **firmemente** contra el suelo colocando la mano izquierda sobre la caja del ventilador. Coloque el dedo pulgar debajo de la caja del ventilador.



No se pare ni se arrodille sobre el tubo de mando.

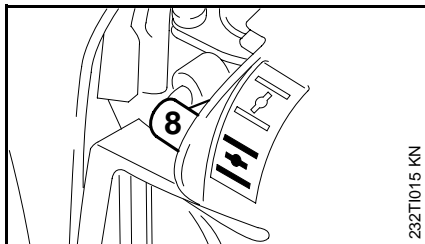
### Versiones estándar:

- Con la mano derecha tire lentamente del mango de arranque hasta que sienta una resistencia definitiva y en seguida dele un tirón fuerte y rápido. No tire de la cuerda de arranque totalmente hasta afuera, se podría cortar.

### Versiones con ErgoStart:

- Con la mano derecha tire lentamente del mango de arranque hasta que sienta el primer tope, y después tire del mismo de modo lento y constante. No tire de la cuerda de arranque totalmente hasta afuera, se podría cortar.

- No deje que el mango de arranque salte bruscamente hacia atrás. Guíelo lentamente hacia el interior de la caja para que la cuerda de arranque se enrolle correctamente.



- Continúe haciendo girar el motor hasta que arranque. Después de no más que **cinco** intentos, mueva la perilla del estrangulador (8) a
- Siga intentando el arranque.

### Tan pronto arranca

Versiones con **manillar de bicicleta**:

- Accione momentáneamente el gatillo de aceleración – el motor reduce su aceleración a ralentí.

Versiones con **mango tórico**:

- Oprima el gatillo hasta que su pestaña se suelte – el motor reduce su aceleración a ralentí.

Asegúrese que el carburador esté correctamente ajustado; la herramienta no debe moverse cuando el motor está funcionando a ralentí.

**Su máquina está lista para trabajar.**

### Para apagar el motor:

- Mueva el control deslizante en el sentido indicado por la flecha () a **STOP** – o el interruptor de parada a **STOP / O**.

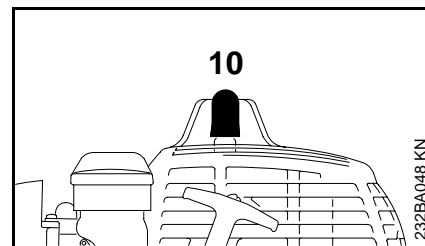
### Si el motor no arranca

#### Palanca del estrangulador

Si no se mueve la palanca del estrangulador a en un tiempo suficientemente corto después que el motor ha empezado a encenderse, la cámara de combustión se encuentra "ahogada".

- Ponga la palanca del estrangulador en
- Ponga el control deslizante, el bloqueo y el gatillo de aceleración en la posición de arranque.
- Arranque el motor – Puede ser necesario hacer 10 a 20 intentos fuertes.

### Si el motor todavía no arranca



- Mueva el control deslizante o el interruptor de parada a **O / PARADA**.

Quite el casquillo de la bujía (10).

## Instrucciones de manejo

- Destornille y seque la bujía.
- Abra el acelerador al máximo.
- Haga girar el motor varias veces con el arrancador para despejar la cámara de combustión.
- Vuelva a colocar la bujía y conecte su casquillo, empujándolo firmemente.
- Ponga el interruptor de parada o el control deslizante en **I / I**
- Ponga la palanca del estrangulador en **⊖**, aun si el motor está frío.
- Ahora arranque el motor.

### Se agotó el combustible en el tanque

- Después de llenar el tanque, oprima el bulbo de la bomba de combustible por lo menos cinco veces, aunque el bulbo esté lleno de combustible.
- Ajuste la palanca del estrangulador según la temperatura del motor.
- Ahora arranque el motor.

### Durante el período de rodaje

Una máquina nueva no debe hacerse funcionar a velocidad alta (aceleración máxima sin carga) por el lapso que tome llenar el tanque tres veces. Esto evita la imposición de cargas innecesariamente altas durante el período de rodaje. Puesto que todas las piezas móviles necesitan un período de rodaje, las resistencias causadas por la fricción en el motor son mayores durante este período. El motor desarrolla su potencia máxima después de haber llenado el tanque de 5 a 15 veces.

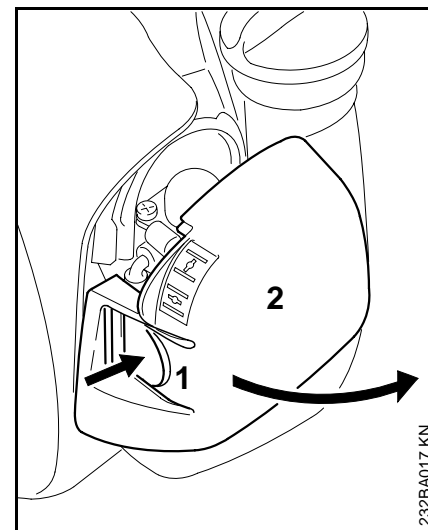
### Durante el funcionamiento

Después de un período largo de funcionamiento con el acelerador a fondo, deje funcionar el motor por un rato en ralentí de modo que el calor en el motor sea disipado por la corriente de aire de enfriamiento. Esto ayuda a evitar que los componentes montados en el motor (encendido, carburador) sufran sobrecargas térmicas.

### Después de terminar el trabajo

Espere que el motor se enfríe. Vacíe el tanque de combustible. Almacene la máquina en un lugar seco. Revise el apriete de las tuercas y tornillos (no los tornillos de ajuste) periódicamente y vuelva a apretar según sea necesario.

## Limpieza del filtro de aire



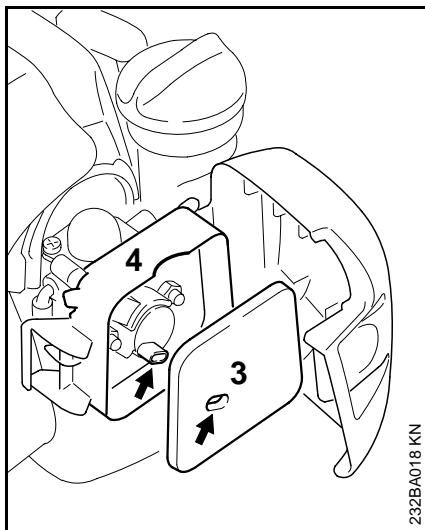
Los filtros de aire sucios reducen la potencia del motor, aumentan el consumo de combustible y dificultan el arranque del motor.

### Si se nota una pérdida considerable de la potencia del motor

- Ponga la palanca de estrangulación en **I**
- Oprima la lengüeta (1) y abra la cubierta del filtro (2).
- Limpie toda la suciedad de alrededor del filtro.



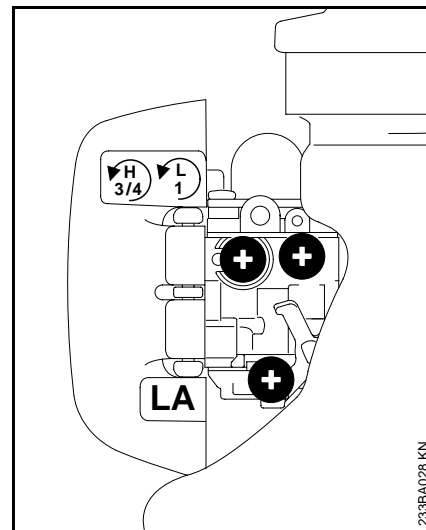
## Manejo del motor



Las emisiones de gases de escape son controladas por el diseño de parámetros y componentes fundamentales del motor (por ej. carburación, encendido, regulación y regulación de la válvula o lumbreira) sin la adición de ningún equipo importante.

- Retire el elemento de fieltro de filtro (3).
- **No lave** el elemento de fieltro. Coloque uno nuevo. Como una medida provisoria, límpielo golpeándolo en la palma de la mano o soprándolo con aire comprimido.
- ⚙ Sustituya las piezas dañadas del filtro.
- Coloque el elemento de fieltro (3) en la caja del filtro (4).
- Cierre la cubierta del filtro de modo que encaje en su lugar.

## Ajuste del carburador



El carburador se ajusta en la fábrica.

Este ajuste provee una mezcla óptima de combustible y aire bajo la mayoría de las condiciones de funcionamiento.

Con este carburador es posible ajustar el tornillo de velocidad rápida dentro de una gama pequeña.

## Ajuste normal


- Apague el motor.
- Instale la CombiTool.
- Revise el filtro de aire y límpielo o sustitúyalo de ser necesario.
- Gire el tornillo de ajuste de velocidad alta (**H**) en sentido contrahorario hasta su tope (**no más de  $\frac{3}{4}$  de vuelta**).
- Atornille cuidadosamente el tornillo de velocidad baja (**L**) hasta que tope en su asiento. Después ábralo **una** vuelta completa en sentido contrahorario.
- Arranque el motor y caliéntelo.
- Ajuste la velocidad de ralentí con el tornillo (**LA**) hasta que la herramienta deje de moverse.

## Ajuste fino para trabajo a alturas grandes o a nivel del mar

Puede ser necesario efectuar un ajuste ligero del tornillo de velocidad alta (**H**) si la potencia del motor no es adecuada para trabajar en grandes altitudes o al nivel del mar o después de cambiar la herramienta de corte.

- Lleve a cabo el ajuste normal.
- Caliente el motor por aproximadamente 3 minutos a aceleración máxima.

### Regla general


 Gire el tornillo de ajuste de velocidad alta (**H**) aproximadamente  $\frac{1}{4}$  de vuelta por cada 1000 metros (3300 pies) de cambio de altura.

### En alturas grandes

- Gire el tornillo de ajuste de velocidad alta (**H**) en sentido horario (mezcla más pobre), pero no más allá del tope.

### Al nivel del mar

- Gire el tornillo de ajuste de velocidad alta (**H**) en sentido contrahorario (mezcla más rica), pero no más allá del tope.

 Normalmente se alcanza la velocidad máxima del motor con el ajuste normal en cada caso.

## Ajuste de ralentí

Generalmente es necesario cambiar el ajuste del tornillo de ralentí (**LA**) después de cada corrección hecha al tornillo de velocidad baja (**L**).

- Caliente el motor por aproximadamente 3 minutos.

### El motor se para durante el funcionamiento a ralentí

- Gire el tornillo de ajuste de ralentí (**LA**) lentamente en sentido horario hasta que el motor funcione de modo suave – la herramienta no debe girar.

### La CombiTool se mueve mientras el motor está a ralentí

- Gire el tornillo de ralentí (**LA**) en sentido contrahorario hasta que la herramienta se detenga y luego gire el tornillo otra  $\frac{1}{2}$  vuelta a vuelta completa en el mismo sentido.

### Funcionamiento irregular a ralentí, el motor se para aunque se ha corregido el ajuste del tornillo LA, aceleración inadecuada

#### Ajuste de ralentí con mezcla muy pobre:

- Gire el tornillo de velocidad baja (**L**) en sentido contrahorario (aprox.  $\frac{1}{4}$  de vuelta) hasta que el motor funcione y se acelere de modo uniforme.

\* vea “Guía para el uso de este manual”

## Convertidor catalítico\*

### Funcionamiento irregular a ralentí

#### Ajuste de ralentí con mezcla muy rica:

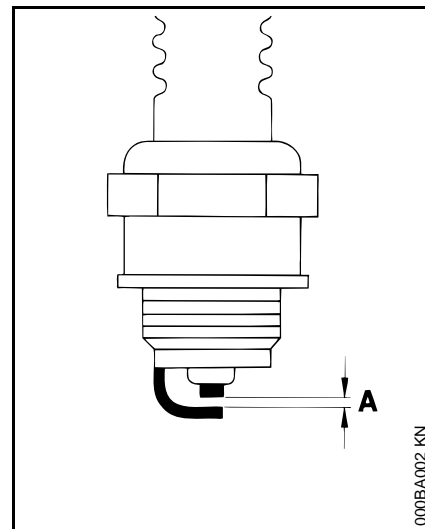
- Gire el tornillo de velocidad baja (L) en sentido horario (aprox.  $\frac{1}{4}$  de vuelta) hasta que el motor funcione y se acelere de modo uniforme.

En las unidades equipadas con un convertidor catalítico\* hay que usar exclusivamente la **gasolina sin plomo** y el **aceite STIHL para motores de dos tiempos** o un aceite equivalente en una mezcla de 50:1 (vea el capítulo "Combustible").

El convertidor catalítico instalado en el silenciador reduce las emisiones nocivas presentes en el gas de escape.

El ajuste correcto del carburados (si es ajustable) y el uso de la mezcla especificada de gasolina y aceite para motores de dos tiempos son esenciales para reducir al mínimo las emisiones nocivas de gases de escapes y asegurar una larga vida útil del convertidor catalítico.

## Revisión de la bujía



La mezcla de combustible incorrecta (demasiado aceite de motor en la gasolina), el filtro de aire sucio y condiciones de funcionamiento desfavorables (generalmente a media aceleración, etc.) afectan la condición de la bujía. Estos factores causan la formación de depósitos en la punta del aislador lo que puede dificultar el funcionamiento.

\* vea "Guía para el uso de este manual"

## Cuerda de arranque

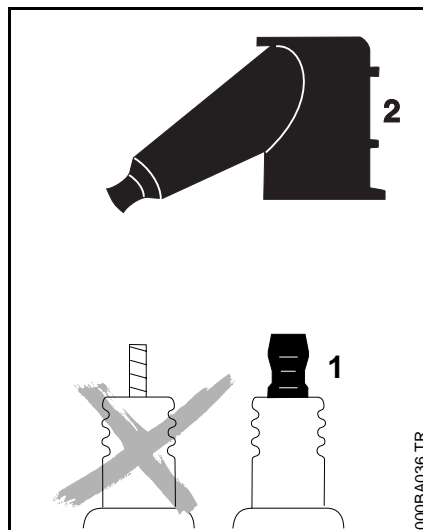
Si el motor tiene poca potencia, le cuesta arrancar o funciona deficientemente a velocidad de ralentí, primero revise la bujía.

- Saque la bujía – vea „Arranque / parada del motor“.
- Limpie la bujía sucia.
- Mida la separación entre electrodos de la bujía **(A)**. Vuelva a ajustar si es necesario. Vea “Especificaciones”.
- Use únicamente bujías de tipo resistencia de capacidad aprobada.

Corrija la causa de la suciedad de la bujía:

- Demasiado aceite en la mezcla de combustible.
- Filtro de aire sucio.
- Condiciones de funcionamiento desfavorables, por ej., funcionamiento a media aceleración.

**Coloque una bujía nueva después de 100 horas de funcionamiento**, aproximadamente, o más temprano si nota que los electrodos están muy desgastados.



**⚠** Para reducir el riesgo de incendios y lesiones por quemadura, use solamente bujías autorizadas por STIHL. Siempre encaje un casquillo **(2)** del tamaño correcto bien ajustado en el borne **(1)** de la bujía. (Nota: Si el borne tiene una tuerca adaptadora SAE desprendible, colóquela.) Una conexión suelta entre el casquillo de la bujía y el conector del alambre de encendido puede formar un arco eléctrico, inflamar los vapores combustibles y finalmente causar un incendio.

**Para prolongar la vida útil de la cuerda de arranque, siempre observe los puntos siguientes:**

- Tire de la cuerda de arranque solamente en el sentido especificado.
- No tire de la cuerda sobre el borde del buje guía.
- No tire de la cuerda más de lo especificado pues se podría cortar.
- No deje que el mango de arranque retroceda bruscamente, guíelo lentamente al interior de la caja. Consulte también el capítulo "Arranque / parada del motor".

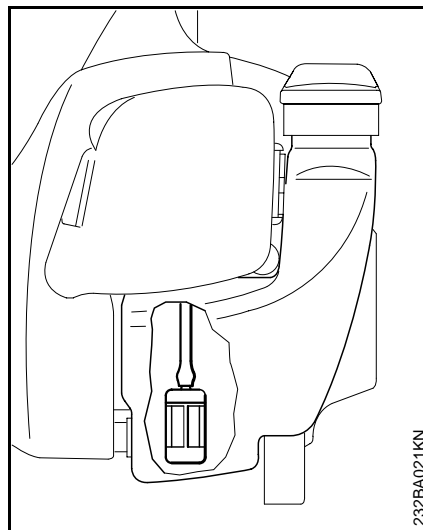
**¡Sustituya la cuerda de arranque dañada oportunamente o pida al concesionario STIHL que se lo haga!**

## Almacenamiento de la máquina

Para intervalos de 3 meses o más:

- Vacíe y limpie el tanque de combustible en una zona bien ventilada.
- Deseche el combustible de acuerdo con los requerimientos locales de protección del medio ambiente.
- Haga funcionar el motor hasta que el carburador se seque. Esto ayuda a evitar que los diafragmas del carburador se peguen.
- Limpie la máquina a fondo - preste atención especial a las aletas del cilindro y al filtro de aire.
- Retire, limpie e inspeccione la herramienta.
- Guarde la máquina en un lugar seco y elevado, o bajo llave – fuera del alcance de los niños y de otras personas no autorizadas.

## Inspecciones y mantenimiento por el centro de servicio STIHL



### Captador de combustible en el tanque

- Cada año, pida que le sustituyan el captador en el tanque.

### Chispero en silenciador\*

- Si el motor pierde potencia, haga revisar el chispero del silenciador.

\* vea "Guía para el uso de este manual"

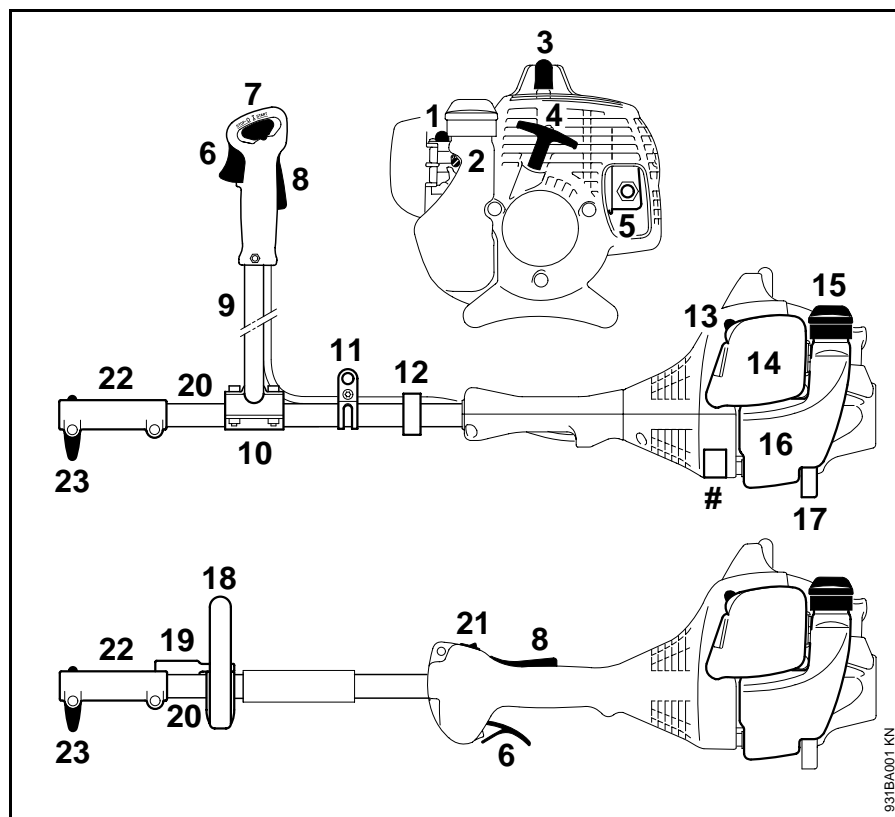
## Tabla de mantenimiento

Sírvese notar que los intervalos de mantenimiento siguientes son aplicables en condiciones normales de funcionamiento. Si el tiempo de trabajo por jornada es más largo que lo normal, o si las condiciones son extremas (zonas polvorrientas, etc.), acorte los intervalos indicados de modo correspondiente.		antes de comenzar el trabajo	después de terminar el trabajo o diariamente	después de cada parada para cargar combustible	semanalmente	mensualmente	anualmente	si hay problema	si tiene daños	según se requiera
Máquina completa	Inspección visual (condición general, fugas)	X		X						
	Limpiar		X							
Mango de control	Comprobar funcionamiento	X		X						
Filtro de aire	Limpiar							X		X
	Reemplazar								X	
Filtro en tanque de combustible	Revisar							X		
	Solicitar al concesionario de servicio su reemplazo <sup>1)</sup>						X		X	X
Tanque de combustible	Limpiar							X		X
Carburador	Comprobar ajuste de ralentí – la CombiTool no debe moverse	X		X						
	Ajustar el ralentí									X
Bujía	Ajustar la distancia entre electrodos							X		
	Cambiar después de aprox. 100 horas de funcionamiento									
Entradas de enfriamiento	Inspeccionar		X							
	Limpiar									X
Chispero* en silenciador	Revisar		X					X		
	su limpieza o sustitución <sup>1)</sup>								X	X
Tornillos y tuercas accesibles (salvo los tornillos de ajuste)	Volver a apretar									X
Etiquetas de seguridad	Reemplazar								X	

1) STIHL recomienda que el concesionario STIHL efectúe este trabajo

\* vea "Guía para el uso de este manual"

## Controles y piezas principales



- 1= Bomba de combustible
  - 2= Tornillo de ajuste del carburador
  - 3= Casquillo de bujía
  - 4= Mango de arranque
  - 5= Silenciador (con chispero)\*
  - 6= Gatillo de aceleración
  - 7= Control deslizante
  - 8= Bloqueo del gatillo de aceleración
  - 9= Manillar tipo bicicleta
  - 10= Soporte del manillar
  - 11= Argolla de transporte
  - 12= Retenedor del cable del acelerador
  - 13= Palanca del estrangulador
  - 14= Cubierta del filtro de aire
  - 15= Tapa de llenado de combustible
  - 16= Tanque de combustible
  - 17= Apoyo de la máquina
  - 18= Mango tórico
  - 19= Barra de defensa\*
  - 20= Tubo de mando
  - 21= Interruptor de parada
  - 22= Manguito de acoplamiento
  - 23= Tornillo mariposa
- # Número de serie

\* vea "Guía para el uso de este manual"

## Definiciones

1. **Bomba de combustible**  
Suministra alimentación adicional de combustible para el arranque en frío.
2. **Tornillo de ajuste del carburador**  
Para afinar el carburador.
3. **Casquillo de bujía**  
Conecta la bujía al alambre de encendido.
4. **Mango de arranque**  
El mango de la cuerda de arranque, el cual es el dispositivo usado para arrancar el motor.
5. **Silenciador (con chispero)**  
Reduce los ruidos del tubo de escape y desvía los gases de escape lejos del operador.
6. **Gatillo de aceleración**  
Regula la velocidad del motor.
7. **Control deslizante**  
Para aceleración de arranque, marcha y parada. Mantiene el acelerador parcialmente abierto durante el arranque, apaga el encendido del motor y detiene su marcha.
8. **Bloqueo del gatillo de aceleración**  
Debe ser oprimido antes de poder activar el gatillo de aceleración.
9. **Manillar tipo bicicleta**  
Para facilitar el control de la máquina con ambas manos.
10. **Soporte del manillar**  
Conecta el tubo de mando y el manillar de bicicleta.
11. **Argolla de transporte**  
Conecta la máquina al arnés
12. **Retenedor del cable del acelerador**  
Sujeta el cable del acelerador al tubo de mando.
13. **Palanca del estrangulador**  
Facilita el arranque del motor al enriquecer la mezcla.
14. **Cubierta del filtro de aire**  
Encierra y protege el filtro de aire.
15. **Tapa de llenado de combustible**  
Para tapar el tanque de combustible.
16. **Tanque de combustible**  
Contiene la mezcla de gasolina y aceite.
17. **Apoyo de la máquina**  
Para apoyar la máquina en el suelo.
18. **Mango tórico**  
Para facilitar el control de la máquina.
19. **Barra de defensa**  
Ayuda a mantener el espacio libre entre la herramienta CombiTool y los pies y piernas del operador.
20. **Tubo de mando**  
Encierra y protege el eje impulsor entre el motor y el mecanismo.
21. **Interruptor de parada**  
Apaga el sistema de encendido del motor y para el motor.
22. **Manguito de acoplamiento**  
Conecta el tubo de mando a la parte inferior del tubo de mando (eje corto).
23. **Tornillo mariposa**  
Sujeta la parte inferior del tubo de mando (eje corto).



## Especificaciones

### Motor

#### EPA:

El período de cumplimiento de emisiones indicado en la etiqueta de cumplimiento de emisiones es la cantidad de horas de funcionamiento para la cual la máquina ha demostrado la conformidad con los requerimientos de emisiones del Gobierno federal de los EE.UU.

Categoría A = 300 horas, B = 125 horas, C = 50 horas

#### CARB:

El período de cumplimiento de emisiones empleado en la etiqueta del índice de aire CARB tiene las siguientes definiciones:

Extended (extendido) = 300 horas

Intermediate (intermedio) = 125 horas

Moderate (moderado) = 50 horas

Motor de un cilindro, dos tiempos

Cilindrada: 1,66 pulg<sup>3</sup>  
(27,2 cm<sup>3</sup>)

Diámetro: 34 mm (1,34 pulg)

Carrera: 30 mm (1,18 pulg)

Potencia del motor según ISO 8893: 0,75 kW (1 bhp)

Ralentí: 2800 rpm

Velocidad máx. del motor: 9500 rpm

### Sistema de encendido

Tipo: Encendido por magneto electrónico

Bujía (tipo resistencia): Bosch WSR 6 F, NGK BPMR 7 A o Champion RCJ 6Y

Distancia entre electrodos: 0,5 mm (0,02 pulg)

Roscas de la bujía: M 14 x 1,25; 0,37 pulg de largo (9,5 mm)

### Sistema de combustible

Carburador: Carburador de diafragma de todas posiciones con bomba de combustible integral

Filtro de aire: Elemento de filtro

Capacidad del tanque de combustible: 0,33 l (0,7 pt EE.UU.)

Mezcla de combustible: Vea el capítulo "Combustible"

### Peso

#### Versiónes estándar

seco, sin CombiTool

KM 55 <sup>1)</sup> 4,2 kg (9,3 lb)

KM 55 R 4,0 kg (8,8 lb)

KM 55 <sup>1) 2)</sup> 4,3 kg (9,5 lb)

KM 55 R <sup>2)</sup> 4,1 kg (9,0 lb)

<sup>1)</sup> Versión con manillar de bicicleta

<sup>2)</sup> Versión con convertidor catalítico

R Versión con mango tórico

#### Versión con ErgoStart

seco, sin CombiTool

KM 55 C <sup>1)</sup> 9.7 lb (4.4 kg)

KM 55 RC 9.3 lb (4.2 kg)

KM 55 C <sup>1) 2)</sup> 9.9 lb (4.5 kg)

KM 55 RC <sup>2)</sup> 9.5 lb (4.3 kg)

<sup>1)</sup> Versión con manillar de bicicleta

<sup>2)</sup> Versión con convertidor catalítico

R Versión con mango tórico

## Accesorios especiales

Anteojos de seguridad

Correa para hombro

Arnés completo

Llave combinada

Destornillador para el carburador

ElastoStart de STIHL (cuerda de arranque con mango)

Aceite lubricante especial libre de resina


Póngase en contacto con el concesionario STIHL para obtener la información más reciente sobre éstos y otros accesorios especiales.

Vea también la información acerca de accesorios especiales en el manual de instrucciones de la CombiTool.

## Mantenimiento y reparaciones

Los usuarios de esta máquina deben efectuar únicamente los trabajos de mantenimiento descritos en este manual. Solamente los talleres autorizados por STIHL deben llevar a cabo los demás trabajos de reparación.

Los reclamos de garantía presentados después de realizadas las reparaciones serán aceptados únicamente si las mismas fueron ejecutadas por un concesionario de servicio autorizado STIHL utilizando piezas de repuesto originales de STIHL.

Es posible identificar las piezas originales de STIHL por el número de pieza **STIHL**, el logotipo de STIHL y, en algunos casos, el símbolo  de piezas STIHL. En las piezas pequeñas el símbolo puede aparecer solo.

## **No para California: Declaración de garantía de STIHL Incorporated sobre sistemas de control de emisiones según normas Federales**

### **Sus derechos y obligaciones de garantía**

La Agencia de Protección del Medio Ambiente (EPA) de los EE.UU. y STIHL Incorporated se complacen en explicarle la garantía del sistema de control de emisiones instalado en el motor de su equipo. En los EE.UU., los nuevos motores pequeños para equipos de uso fuera de carretera modelos 1997 y posteriores deben estar diseñados, contruidos y equipados, al tiempo de la venta, de conformidad con los reglamentos de la EPA de los EE.UU. para los motores pequeños de uso fuera de carretera. El motor del equipo debe carecer de defectos en el material y la fabricación que puedan causar el incumplimiento de las normas de la EPA de los EE.UU. durante los primeros dos años de uso del motor a partir de la fecha de compra por el último comprador.

STIHL Incorporated debe garantizar el sistema de control de emisiones en el motor pequeño para uso fuera de carretera por el intervalo mencionado más arriba, siempre que dicho motor no haya estado sujeto a maltrato, negligencia o cuidado inapropiado.

El sistema de control de emisiones de su máquina incluye piezas tales como el carburador y el sistema de encendido. Además puede incluir mangueras, conectores y otros conjuntos relativos a emisiones.

En los casos de existir una condición amparada bajo garantía, STIHL Incorporated reparará el motor pequeño para equipo de uso fuera de carretera sin

costo alguno, incluido el diagnóstico (si el trabajo de diagnóstico fue realizado por un concesionario autorizado), las piezas y la mano de obra.

### **Cobertura de garantía del fabricante:**

En los EE.UU., los motores pequeños para equipos de uso fuera de carretera modelos 1997 y posteriores también están garantizados por dos años. En el caso de encontrarse defectos en cualquiera de las piezas del motor relacionadas con el sistema de control de emisiones, la pieza será reparada o sustituida por STIHL Incorporated sin costo alguno.

### **Responsabilidades del usuario relativas a la garantía:**

Como propietario de motor pequeño para equipo de uso fuera de carretera, usted tiene la responsabilidad de realizar el mantenimiento requerido descrito en su manual del usuario. STIHL Incorporated le recomienda guardar todos los recibos comprobantes de los trabajos de mantenimiento hechos a su motor pequeño para equipo de uso fuera de carretera, pero STIHL Incorporated no puede negar garantía basado en el solo hecho de faltar los recibos o del incumplimiento del propietario de realizar todos los trabajos de mantenimiento programados.

El uso de cualquier pieza de repuesto o servicio cuyo comportamiento y durabilidad sean equivalentes está permitido en trabajos de mantenimiento o reparación no contemplados en la garantía, y no

reducirá las obligaciones de la garantía del fabricante del motor.

Sin embargo, como propietario del motor pequeño para equipo de uso fuera de carretera usted debe estar consciente de que STIHL Incorporated puede negarle cobertura de garantía si dicho motor o una pieza del mismo ha fallado debido a maltrato, descuido, mantenimiento inadecuado o modificaciones no autorizadas.

Usted es responsable de llevar el motor pequeño para equipo de uso fuera de carretera a un centro de servicio STIHL tan pronto surja el problema. Las reparaciones bajo garantía serán realizadas en un tiempo razonable, sin exceder de 30 días.

Ante cualquier duda respecto a sus derechos y responsabilidades bajo esta garantía, sírvase contactar al representante de atención al cliente STIHL llamando al 1-800-467-8445, o si lo prefiere puede escribir a

STIHL Inc.,  
536 Viking Drive, P.O. Box 2015,  
Virginia Beach, VA 23450-2015 EE.UU.

### **Cobertura por STIHL Incorporated**

STIHL Incorporated garantiza al último comprador y a cada comprador subsiguiente que el motor pequeño para equipo de uso fuera de carretera está diseñado, construido y equipado, al tiempo de la venta, de conformidad con todos los reglamentos aplicables. Además, STIHL Incorporated garantiza al comprador inicial y a cada comprador

subsiguiente que el motor está libre de defectos en el material y fabricación que puedan causar el incumplimiento de los reglamentos aplicables durante un período de dos años.

### Período de garantía

El período de garantía comienza en la fecha en que el motor del equipo utilitario es entregado a usted y usted firma y remite la tarjeta de garantía a STIHL.

Si cualquier pieza relacionada con el sistema de control de emisiones está defectuosa, la pieza será sustituida por STIHL Incorporated sin costo alguno para el propietario. Cualquier pieza garantizada cuyo reemplazo no está programado como mantenimiento requerido, o que debe recibir únicamente inspección regular en el sentido de "reparar o sustituir según sea necesario", estará garantizada por el período de garantía. Cualquier pieza cuyo reemplazo está programado como mantenimiento requerido estará garantizada por el intervalo hasta el primer punto de reemplazo programado para esa pieza.

### Diagnóstico

Como propietario, a usted no se le debe cobrar la mano de obra por los diagnósticos que determinen que una pieza garantizada está defectuosa. No obstante, si usted reclama garantía para un componente y se comprueba que la máquina no está defectuosa, STIHL Incorporated le cobrará el costo de la prueba del sistema de control de emisiones.

El trabajo de diagnóstico mecánico se realiza en un centro de servicio autorizado por STIHL. La prueba del sistema de control de emisiones se realiza ya sea en la fábrica de STIHL Incorporated o en un laboratorio de ensayos independiente.

### Trabajo bajo garantía

STIHL Incorporated reparará los defectos amparados por la garantía en cualquier estación de garantía o centro de servicio autorizado por STIHL. Todo trabajo de este tipo se hará gratis para el propietario siempre que se determine que la pieza cubierta por la garantía está defectuosa. Se puede usar cualquier pieza de repuesto aprobada por el fabricante o equivalente en las piezas relacionadas con el sistema de control de emisiones, y debe ser suministrada gratis al propietario. STIHL Incorporated es responsable por daños a otros componentes del motor causados por la falla de una pieza garantizada que todavía está bajo garantía.

La lista siguiente define específicamente las piezas garantizadas y relacionadas con las emisiones:

Carburador  
Estrangulador (sistema de refuerzo para arranque en frío)  
Múltiple de admisión  
Filtro de aire  
Bujía  
Magneto o sistema de encendido electrónico (módulo de encendido)  
Convertidor catalítico (si lo tiene)  
Sujetadores/pernos

### Dónde presentar el reclamo para servicio bajo garantía

Lleve el producto a cualquier centro de servicio autorizado por STIHL y presente la tarjeta de garantía firmada.

### Requerimientos de mantenimiento

Las instrucciones presentadas en este manual se basan en la aplicación de la mezcla recomendada para motores de 2 tiempos (vea también la instrucción "Combustible"). Las discrepancias de estas recomendaciones con respecto a la calidad y la proporción de la mezcla de combustible y aceite pueden exigir intervalos de mantenimiento más cortos.

### Limitaciones

Esta garantía de los sistemas de control de emisiones no cubrirá ninguno de los puntos siguientes:

- reparación o sustitución requerida debido a maltrato, negligencia o falta del mantenimiento requerido,
- reparaciones mal hechas o sustituciones contrarias a las especificaciones de STIHL Incorporated que afecten desfavorablemente el funcionamiento y/o la durabilidad, y las alteraciones o modificaciones no recomendadas o aprobadas por escrito por STIHL Incorporated,

y

- la sustitución de piezas y otros servicios y ajustes necesarios para el mantenimiento requerido en y después del primer punto de reemplazo programado.

## **Solamente para California: Declaración de garantía de STIHL Incorporated sobre el control de emisiones de gases de escape y emisiones por evaporación para el Estado de California**

### **Sus derechos y obligaciones de garantía**

El Consejo de Recursos del Aire del Estado de California (CARB) y STIHL Incorporated se complacen en explicarle la garantía del sistema de control de emisiones instalado en el motor de su equipo de uso fuera de carretera para el año 2007 y posteriores.

En California, el equipo nuevo que tiene motores pequeños para uso fuera de carretera debe estar diseñado, construido y equipado de conformidad con las rigurosas normas de contaminación del aire del estado. STIHL Incorporated debe garantizar el sistema de control de emisiones en el motor pequeño para uso fuera de carretera por el intervalo mencionado más arriba, siempre que dicho motor pequeño para uso fuera de carretera no haya estado sujeto a maltrato, negligencia o cuidado inapropiado.

El sistema de control de emisiones puede contar con los siguientes componentes:

Filtro de aire, carburador, purgador, estrangulador (sistema de enriquecimiento para arranque en frío), varillaje de control, colector de admisión, magneto o sistema de encendido electrónico (módulo de encendido), bujía, convertidor catalítico (si lo tiene), tanque de combustible, tapa de tanque de combustible, línea de combustible, adaptadores de líneas de combustible, abrazaderas y sujetadores.

En los casos de existir una condición amparada bajo garantía, STIHL Incorporated reparará el motor pequeño para equipo de uso fuera de carretera sin costo alguno, incluido el diagnóstico, las piezas y la mano de obra.

### **Cobertura de garantía del fabricante**

El sistema de control de emisiones tiene una garantía de dos años en California. En el caso de encontrarse defectos en cualquiera de los componentes del motor relacionados con el sistema de control de emisiones, el mismo será reparado o sustituido por STIHL Incorporated sin costo alguno.

### **Responsabilidades del usuario relativas a la garantía**

Como propietario de motor pequeño para equipo de uso fuera de carretera, usted tiene la responsabilidad de realizar el mantenimiento requerido descrito en su manual de instrucciones. STIHL Incorporated le recomienda guardar todos los recibos comprobantes de los trabajos de mantenimiento hechos a su motor pequeño para equipo de uso fuera de carretera, pero STIHL Incorporated no puede negar garantía basado en el solo hecho de faltar los recibos o de su incumplimiento de realizar todos los trabajos de mantenimiento programados.

Sin embargo, como propietario del motor pequeño para equipo de uso fuera de carretera usted debe

ser consciente de que STIHL Incorporated puede negarle cobertura de garantía si dicho motor o un componente del mismo ha fallado debido a maltrato, descuido, mantenimiento inadecuado o modificaciones no autorizadas.

Usted es responsable de llevar el motor pequeño para equipo de uso fuera de carretera a un centro de servicio STIHL tan pronto surja el problema. Las reparaciones bajo garantía deben realizarse en un tiempo razonable, sin exceder de 30 días. Ante cualquier duda respecto a sus derechos y responsabilidades bajo esta garantía, sírvase contactar al representante de atención al cliente STIHL llamando al 1-800-467-8445, o si lo prefiere puede escribir a

STIHL Inc., 536 Viking Drive,  
P.O. Box 2015,  
Virginia Beach, VA 23450-2015 EE.UU.

### **Cobertura por STIHL Incorporated**

STIHL Incorporated garantiza al último comprador y a cada comprador subsiguiente que el motor pequeño para equipo de uso fuera de carretera está diseñado, construido y equipado, al tiempo de la venta, de conformidad con todos los reglamentos aplicables.

Además, STIHL Incorporated garantiza al comprador inicial y a cada comprador subsiguiente que el motor está libre de defectos en el material y fabricación que puedan causar el incumplimiento de los reglamentos aplicables adoptados por el Consejo de Recursos del Aire durante un período de dos años.

## Período de garantía contra defectos

Los períodos de garantía comenzarán el día en que el motor de equipo utilitario es comprado por el comprador inicial. Si cualquier componente relacionado con el sistema de control de emisiones está defectuoso, el mismo será sustituido por STIHL Incorporated sin costo alguno para el propietario.

No se permite usar componentes adicionales o modificados que no hayan sido eximidos por el Consejo de Recursos del Aire. El uso de cualquier componente adicional o modificado no eximido será motivo para la denegación del reclamo bajo garantía. STIHL Incorporated no es responsable por las fallas de los componentes garantizados causadas por el uso de un componente adicional o modificado no eximido.

La garantía de los componentes relacionados con el control de emisiones se interpretará de la manera siguiente:

1. Cualquier componente garantizado cuyo reemplazo no está programado como mantenimiento requerido en las instrucciones escritas requeridas en la lista de piezas bajo la garantía de control de emisiones (vea más abajo) debe garantizarse por el período de garantía definido en la subsección PERIODO DE GARANTIA CONTRA DEFECTOS, vea más arriba. Si uno de estos componentes falla durante el período de garantía, el fabricante debe reparar o sustituir el mismo de acuerdo con la subsección (4) más abajo. Un componente reparado o

sustituido bajo la garantía debe garantizarse durante el resto del período de garantía.

2. Cualquier componente garantizado que solamente debe inspeccionarse periódicamente de acuerdo con las instrucciones escritas requeridas en la lista de piezas bajo la garantía de control de emisiones (vea más abajo) debe garantizarse por el período de garantía definido en la subsección PERIODO DE GARANTIA CONTRA DEFECTOS, vea más arriba. Una declaración en las instrucciones escritas tal como "reparar o sustituir según sea necesario" no acortará el período de cobertura de garantía. Un componente de este tipo reparado o sustituido bajo la garantía debe garantizarse durante el resto del período de garantía.

3. Cualquier componente garantizado que debe sustituirse como un elemento de mantenimiento requerido en las instrucciones escritas requeridas por la lista de piezas bajo la garantía de control de emisiones (vea más abajo) debe garantizarse por el intervalo antes del primer punto de sustitución programado para este componente. Si el componente falla antes del primer punto de sustitución programado, el fabricante del motor debe reparar o sustituir el mismo de acuerdo con la subsección (4) más abajo. Un componente de este tipo reparado o sustituido bajo la garantía debe garantizarse durante el resto del período de garantía antes del primer punto de sustitución programado para el componente.

4. La reparación o sustitución de cualquier componente garantizado debe llevarse a cabo en una estación de reparaciones bajo garantía sin costo alguno para el propietario.

5. No obstante lo expuesto en la subsección (4) de arriba, los servicios o las reparaciones bajo garantía pueden obtenerse en todos los centros de distribución del fabricante autorizados para dar servicio a los motores en cuestión.

6. Al propietario no se le debe cobrar el trabajo del diagnóstico que establece que el componente garantizado es de hecho defectuoso, a condición de que tal trabajo de diagnóstico se realice en una estación de reparaciones bajo garantía.

## Trabajo bajo garantía

STIHL Incorporated reparará los defectos amparados por la garantía en cualquier estación de garantía o centro de servicio autorizado por STIHL. Todo trabajo de este tipo se hará gratis para el propietario siempre que se determine que la pieza cubierta por la garantía está defectuosa. Se puede usar cualquier pieza de repuesto aprobada por el fabricante o equivalente para el mantenimiento o la reparación de los componentes relacionados con el sistema de control de emisiones, y la misma debe ser suministrada gratis al propietario. STIHL Incorporated es responsable por daños a otros componentes del motor causados por la falla de una pieza garantizada que todavía está bajo garantía.

## Marcas comerciales

### Lista de piezas bajo la garantía de emisiones

Filtro de aire, carburador, purgador  
Estrangulador (sistema de refuerzo para arranque en frío)

Varillaje de control, colector de admisión  
Magneto o sistema de encendido electrónico (módulo de encendido), bujía  
Convertidor catalítico (si lo tiene)

Tanque de combustible, tapa de tanque de combustible, línea de combustible, adaptadores de líneas de combustible, abrazaderas, sujetadores

### Dónde presentar el reclamo para servicio bajo garantía

Lleve el producto de STIHL a cualquier concesionario de servicio autorizado por STIHL y presente la tarjeta de garantía STIHL firmada.

### Limitaciones

La reparación o la sustitución de cualquier componente garantizado y normalmente abarcado por la garantía se puede excluir de la garantía si STIHL Incorporated demuestra el maltrato, negligencia o mantenimiento incorrecto del producto de STIHL, y que tal maltrato, negligencia, o mantenimiento incorrecto era la causa directa de la necesidad de reparación o sustitución del componente. A pesar de lo anterior, el ajuste de un componente que tiene un dispositivo limitador instalado en fábrica y funcionando correctamente no perjudicará la cobertura bajo garantía.

### Marcas registradas de STIHL

STIHL®

**STIHL**®



La combinación de colores anaranjado-gris (N° de registro EE.UU. 2,821,860)

4-MIX®

AUTOCUT®

EASYSTART®

OILOMATIC®

STIHL Cutquik®

STIHL DUROMATIC®

STIHL Farm Boss®

STIHL Quickstop®

STIHL ROLLOMATIC®

STIHL WOOD BOSS®

TIMBERSPORTS®

YARD BOSS®

### Marcas comerciales de STIHL por ley común

BioPlus™

Easy2Start™

EasySpool™

ElastoStart™

Ematic /Stihl-E-Matic™

FixCut™

HT Plus™

IntelliCarb™

Master Control Lever™

Micro™

Pro Mark™

Quad Power™

Quiet Line™

STIHL Arctic™

STIHL Compact™

STIHL HomeScaper Series™

STIHL Interchangeable Attachment Series™

STIHL Magnum /Stihl-Magnum™

STIHL MiniBoss™

STIHL MotoPlus 4™

STIHL Multi-Cut HomeScaper Series™

Stihl Outfitters™

STIHL PICCO™  
STIHL PolyCut™  
STIHL PowerSweep™  
STIHL Precision Series™  
STIHL Protech™  
STIHL RAPID™  
STIHL SuperCut™  
STIHL Territory™  
TapAction™  
TrimCut™

Esta lista de marcas comerciales está  
sujeta a cambios.

Queda terminantemente prohibido todo  
uso de estas marcas comerciales sin el  
consentimiento expreso por escrito de  
ANDREAS STIHL AG & Co. KG,  
Waiblingen.





 **WARNING!**

The engine exhaust from this product contains chemicals known to the State of California to cause cancer, birth defects or other reproductive harm.

 **ADVERTENCIA!**

El gas de escape del motor de esta máquina contiene productos químicos que en el estado de California son considerados como causantes de cáncer, defectos de nacimiento u otros efectos nocivos para los órganos de la reproducción.

**0458 461 8621 A**

**english / English USA / spanisch / español EE.UU / CARB / EPA**