

# STIHL®

## STIHL FS 56

Instruction Manual  
Manual de instrucciones



**! WARNING**

Read Instruction Manual thoroughly before use and follow all safety precautions – improper use can cause serious or fatal injury.

**! ADVERTENCIA**

Antes de usar la máquina lea y siga todas las precauciones de seguridad dadas en el manual de instrucciones – el uso incorrecto puede causar lesiones graves o mortales.



**Instruction Manual**

**1 - 48**

**Manual de instrucciones**

**49 - 99**

# Contents

Guide to Using this Manual	2	Maintenance and Repairs	42
Safety Precautions and Working Techniques	3	Disposal	42
Approved Combinations of Cutting Attachment, Deflector, Handle and Harness	16	STIHL Incorporated Federal Emission Control Warranty Statement	43
Mounting the Bike Handle	18	STIHL Incorporated California Exhaust and Evaporative Emissions Control Warranty Statement	45
Mounting the Loop Handle	19	Trademarks	47
Fitting the Carrying Ring	20		
Mounting the Deflector	21		
Mounting the Cutting Attachment	22		
Fuel	24		
Fueling	25		
Fitting the Harness	26		
Balancing the Machine	27		
Starting / Stopping the Engine	28		
Transporting the Unit	30		
Operating Instructions	30		
Cleaning the Air Filter	31		
Engine Management	31		
Adjusting the Carburetor	32		
Spark Plug	32		
Engine Running Behavior	33		
Rewind Starter	33		
Storing the Machine	34		
Sharpening Metal Cutting Blades	34		
Maintaining the Mowing Head	34		
Inspections and Maintenance by Dealer	36		
Maintenance and Care	37		
Main Parts	39		
Specifications	41		

Allow only persons who fully understand this manual to operate your trimmer / brushcutter.

To receive maximum performance and satisfaction from your STIHL trimmer / brushcutter, it is important that you read, understand and follow the safety precautions and the operating and maintenance instructions in chapter "Safety Precautions and Working Techniques" before using your trimmer / brushcutter. For further information you can go to [www.stihlusa.com](http://www.stihlusa.com).

Contact your STIHL dealer or the STIHL distributor for your area if you do not understand any of the instructions in this manual.

## WARNING

Because a trimmer / brushcutter is a high-speed cutting tool some special safety precautions must be observed to reduce the risk of personal injury. Careless or improper use may cause serious or even fatal injury.

Make sure your unit is equipped with the proper deflector, handle and harness for the type of cutting attachment being used. Always wear proper eye protection.

# STIHL®

This instruction manual is protected by copyright. All rights reserved, especially the rights to reproduce, translate and process with electronic systems.

## Guide to Using this Manual

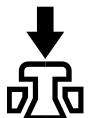
### Pictograms

The meanings of the pictograms attached to or embossed on the machine are explained in this manual.

Depending on the model concerned, the following pictograms may be on your machine.



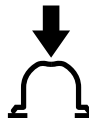
Fuel tank for gasoline and engine oil mixture



Press to operate decompression valve



Manual fuel pump



Press to operate manual fuel pump



Filler hole for gear lubricant



Air intake summer mode



Air intake winter mode



Handle heating

### Symbols in Text

Many operating and safety instructions are supported by illustrations.

The individual steps or procedures described in the manual may be marked in different ways:

- A bullet marks a step or procedure.

A description of a step or procedure that refers directly to an illustration may contain item numbers that appear in the illustration. Example:

- Loosen the screw (1).
- Lever (2) ...

In addition to the operating instructions, this manual may contain paragraphs that require your special attention. Such paragraphs are marked with the symbols and signal words described below:



**DANGER**

Indicates an imminent risk of severe or fatal injury.



**WARNING**

Indicates a hazardous situation which, if not avoided, could result in severe or fatal injury.

### NOTICE

Indicates a risk of property damage, including damage to the machine or its individual components.

### Engineering Improvements

STIHL's philosophy is to continually improve all of its products. As a result, engineering changes and improvements are made from time to time. Therefore, some changes, modifications and improvements may not be covered in this manual. If the operating characteristics or the appearance of your machine differs from those described in this manual, please contact your STIHL dealer or the STIHL distributor for your area for assistance.

## Safety Precautions and Working Techniques



Because a trimmer / brushcutter is a high-speed, fast-cutting power tool sometimes equipped with sharp cutting blades, special safety precautions must be observed to reduce the risk of personal injury.



It is important that you read, fully understand and observe the following safety precautions and warnings. Read the instruction manual and the safety precautions periodically. Careless or improper use may cause serious or fatal injury.

The terminology utilized in this manual when referring to the power tool reflects the fact that different types of cutting attachments may be mounted on it. The term "trimmer" is used to designate an FS unit that is equipped with a nylon line head or a head with flexible plastic blades (i.e., the PolyCut head.) A "brushcutter" designates a unit equipped with a rigid metal blade. Many FS models may be used as either a trimmer or a brushcutter – therefore, the power tool is referred in this manual as a "trimmer / brushcutter". Some smaller and / or lightweight FS models may only be used as a trimmer, i.e., they may not be used with metal blades.

FS models with an "R" on the nameplate were originally configured (at the time of distribution) as a trimmer with a loop handle.



### WARNING

As more fully explained later in these Safety Precautions, to reduce the risk of personal injury, make sure your unit is equipped with the proper handle, harness and deflector for the type of cutting attachment you are using. Use only cutting attachments that are specifically authorized by STIHL for use on your FS model.

Have your STIHL dealer show you how to operate your power tool. Observe all applicable local safety regulations, standards and ordinances.



### WARNING

Do not lend or rent your power tool without the instruction manual. Be sure that anyone using it understands the information contained in this manual.



### WARNING

The use of this machine may be hazardous. If the rotating line or blade comes in contact with your body, it will cut you. When it comes in contact with solid foreign objects such as rocks or bits of metal, it may fling them directly or by ricochet in the direction of bystanders or the operator. Striking such objects could damage the cutting attachment and may cause blades to crack, chip or break. Thrown objects, including broken heads or blades, may result in serious or fatal injury to the operator or bystanders.

STIHL does not recommend the use of rigid blades when cutting in stony areas.

Use your trimmer / brushcutter equipped with the appropriate cutting attachment only for cutting grass and similar material.



### WARNING

Do not use it for other purposes, since misuse may result in personal injury or property damage, including damage to the machine.



### WARNING

Minors should never be allowed to use this power tool. Bystanders, especially children, and animals should not be allowed in the area where it is in use.



### WARNING

To reduce the risk of injury to bystanders and damage to property, never let your power tool run unattended. When it is not in use (e.g. during a work break), shut it off and make sure that unauthorized persons do not use it.

Most of these safety precautions and warnings apply to the use of all STIHL trimmer / brushcutters. Different models may have different parts and controls. See the appropriate section of your instruction manual for a description of the controls and the function of the parts of your model.

Safe use of a trimmer / brushcutter involves

1. the operator
2. the power tool
3. the use of the power tool.

## THE OPERATOR

---

### Physical Condition

You must be in good physical condition and mental health and not under the influence of any substance (drugs, alcohol, etc.) which might impair vision, dexterity or judgment. Do not operate this machine when you are fatigued.

#### **WARNING**

Be alert – if you get tired, take a break. Tiredness may result in loss of control. Working with any power tool can be strenuous. If you have any condition that might be aggravated by strenuous work, check with your doctor before operating this machine.

#### **WARNING**

Prolonged use of a power tool (or other machines) exposing the operator to vibrations may produce whitefinger disease (Raynaud's phenomenon) or carpal tunnel syndrome.

These conditions reduce the hand's ability to feel and regulate temperature, produce numbness and burning sensations and may cause nerve and circulation damage and tissue necrosis.

All factors which contribute to whitefinger disease are not known, but cold weather, smoking and diseases or physical conditions that affect blood vessels and blood transport, as well as high vibration levels and long periods of

exposure to vibration are mentioned as factors in the development of whitefinger disease. In order to reduce the risk of whitefinger disease and carpal tunnel syndrome, please note the following:

- Most STIHL power tools are available with an anti-vibration ("AV") system designed to reduce the transmission of vibrations created by the machine to the operator's hands. An AV system is recommended for those persons using power tools on a regular or sustained basis.
- Wear gloves and keep your hands warm.
- Keep the AV system well maintained. A power tool with loose components or with damaged or worn AV elements will tend to have higher vibration levels.
- Maintain a firm grip at all times, but do not squeeze the handles with constant, excessive pressure. Take frequent breaks.

All the above-mentioned precautions do not guarantee that you will not sustain whitefinger disease or carpal tunnel syndrome. Therefore, continual and regular users should closely monitor the condition of their hands and fingers. If any of the above symptoms appear, seek medical advice immediately.

#### **WARNING**

The ignition system of the STIHL unit produces an electromagnetic field of a very low intensity. This field may interfere with some pacemakers. To reduce the risk of serious or fatal injury, persons with a pacemaker should

consult their physician and the pacemaker manufacturer before operating this tool.

### Proper Clothing

#### **WARNING**

To reduce the risk of injury, the operator should wear proper protective apparel.

The deflector provided with your power tool will not protect the operator from all foreign objects (gravel, glass, wire, etc.) thrown back by the rotating cutting attachment. Thrown objects may also ricochet and strike the operator.

## WARNING



To reduce the risk of injury to your eyes never operate your power tool unless wearing goggles or properly fitted protective glasses with adequate top and side protection complying with ANSI Z87 "+" (or your applicable national standard). To reduce the risk of injury to your face STIHL recommends that you also wear a face shield or face screen over your goggles or protective glasses.

Wear an approved safety hard hat to reduce the risk of injury to your head when there is a danger of head injuries.

Power tool noise may damage your hearing. Wear sound barriers (ear plugs or ear muffs) to protect your hearing. Continual and regular users should have their hearing checked regularly.

Be particularly alert and cautious when wearing hearing protection because your ability to hear warnings (shouts, alarms, etc.) is restricted.



Always wear heavy duty work gloves (e.g. made of leather or other wear resistant material) when handling the machine and metal blades. Heavy-duty, nonslip gloves improve your grip and help to protect your hands.



Clothing must be sturdy and snug-fitting, but allow complete freedom of movement. Wear long pants made of heavy material to help protect your legs. Do not wear shorts, sandals or go barefoot.

Avoid loose-fitting jackets, scarfs, neckties, jewelry, flared or cuffed pants, unconfined long hair or anything that could become caught on branches, brush or the moving parts of the unit. Secure hair so it is above shoulder level.



Good footing is very important. Wear sturdy boots with nonslip soles. Steel-toed safety boots are recommended.

## THE POWER TOOL

For illustrations and definitions of the power tool parts see the chapter on "Main Parts."

## WARNING

Never modify this power tool in any way. Only attachments supplied by STIHL and expressly approved by STIHL for

use with the specific STIHL model are authorized. Although certain unauthorized attachments are useable with STIHL power tools, their use may, in fact, be extremely dangerous. For the cutting attachments authorized by STIHL for your unit, see the chapter "Approved Combinations of Cutting Attachment, Deflector, Handle and Harness" in the instruction manual or the STIHL "Cutting Attachments, Parts & Accessories" catalog.

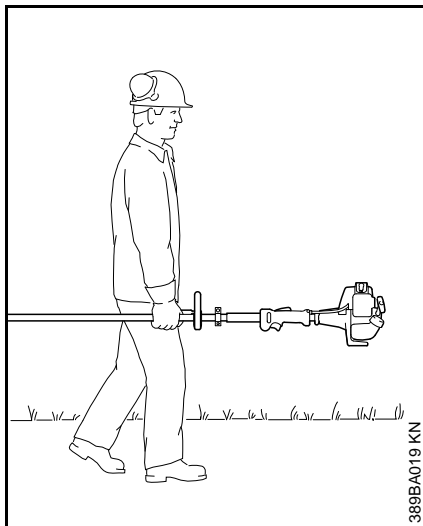
If this tool is subjected to unusually high loads for which it was not designed (e.g. heavy impact or a fall), always check that it is in good condition before continuing work. Check in particular that the fuel system is tight (no leaks) and that the controls and safety devices are working properly. Do not continue operating this machine if it is damaged. In case of doubt, have it checked by your STIHL servicing dealer.

## THE USE OF THE POWER TOOL

### Transporting the Power Tool

## WARNING

To reduce the risk of injury from loss of control and blade or line contact, never carry or transport your power tool with the cutting attachment moving.



It may be carried only in a horizontal position. Grip the shaft in a manner that the machine is balanced horizontally. Keep the hot muffler away from your body and the cutting attachment behind you.

**! WARNING**

Always shut off the engine and make sure the cutting attachment has stopped before putting a trimmer / brushcutter down. When transporting it in a vehicle, properly secure it to prevent turnover, fuel spillage and damage to the unit. STIHL recommends that you keep metal blades covered with the transport guard (optional accessory.)

**Fuel**

Your STIHL power tool uses an oil-gasoline mixture for fuel (see the chapter on "Fuel" of your instruction manual.)

**! WARNING**



Gasoline is an extremely flammable fuel. If spilled and ignited by a spark or other ignition source, it can cause fire and serious burn injury or property damage. Use extreme caution when handling gasoline or fuel mix. Do not smoke or bring any fire or flame near the fuel or the power tool. Note that combustible fuel vapor may escape from the fuel system.

**Fueling Instructions**

**! WARNING**

To reduce the risk of serious injury from burns, never attempt to refuel the unit until it has been completely removed from the operator.

**! WARNING**

Fuel your power tool in well-ventilated areas, outdoors. Always shut off the engine and allow it to cool before refueling. Gasoline vapor pressure may build up inside the fuel tank depending on the fuel used, the weather conditions and the tank venting system.

In order to reduce the risk of burns and other personal injury from escaping gas vapor and fumes, remove the fuel filler cap on your power tool carefully so as to allow any pressure build-up in the tank to release slowly. Never remove the fuel filler cap while the engine is running.

Select bare ground for fueling and move at least 10 feet (3 m) from the fueling spot before starting the engine. Wipe off any spilled fuel before starting your machine.

**! WARNING**



Check for fuel leakage while refueling and during operation. If fuel leakage is found, do not start or run the engine until the leak is fixed and any spilled fuel has been wiped away. Take care not to get fuel on your clothing. If this happens, change your clothing immediately.

**! WARNING**

In order to reduce the risk of fuel spillage and fire from an improperly tightened fuel cap, correctly position and tighten the fuel cap in the fuel tank opening.

**! WARNING**



Unit vibrations can cause an improperly tightened fuel filler cap to loosen or come off and spill quantities of fuel. In order to reduce the risk of fuel spillage and fire, tighten the fuel filler cap by hand as securely as possible.

See also the "Fueling" chapter in your Instruction Manual for additional information.



**Before Starting****! WARNING**

Always check your power tool for proper condition and operation before starting, particularly the throttle trigger, throttle trigger lockout, stop switch, cutting attachment, deflector and harness. The throttle trigger must move freely and always spring back to the idle position. Never attempt to modify the controls or safety devices.

**! WARNING**

Check fuel system for leaks, especially the visible parts, e.g., filler cap, hose connections, manual fuel pump (only for power tools equipped with a manual fuel pump). Do not start the engine if there are leaks or damage – risk of fire! Have the machine repaired by a servicing dealer before using it.

**! WARNING**

Never operate your power tool if it is damaged, improperly adjusted or maintained, or not completely or securely assembled.

**! WARNING**

Do not attach any cutting attachment to a unit without proper installation of all required parts. Failure to use the proper parts may cause the blade or head to fly off and seriously injure the operator or bystanders.

**! WARNING**

The cutting attachment must be properly tightened and in safe operating condition. Inspect for loose parts (nuts, screws, etc.) and for cracked or otherwise damaged heads or cracked, bent, warped or otherwise damaged blades. Replace damaged heads or blades before using the power tool. Always keep blades sharp.

Keep the handles clean and dry at all times; it is particularly important to keep them free of moisture, pitch, oil, fuel mix, grease or resin in order for you to maintain a firm grip and properly control your power tool.

**! WARNING**

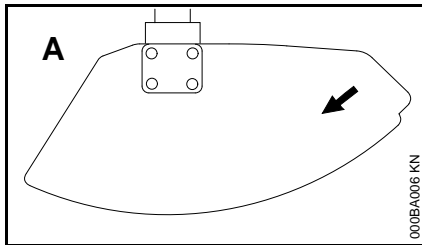
Check that the spark plug boot is securely mounted on the spark plug – a loose boot may cause arcing that could ignite combustible fumes and cause a fire.

**! WARNING**

To reduce the risk of personal injury to the operator from blade or line contact and thrown objects, make sure your unit is equipped with the proper deflector, handle and harness for the type of cutting attachment being used (see chart in the chapter on "Approved Combinations of Cutting Attachment, Deflector, Handle and Harness".)

As can be seen in that chart, some cutting attachments may require you to change your deflector, handle and / or harness.

Keep the deflector (and the attached skirt where appropriate) adjusted properly at all times (see chapters on "Mounting the Deflector" and "Mounting the Cutting Attachment" of your instruction manual.)



Arrow shown in illustration (A) (as seen from the underside of the deflector) shows the correct direction of rotation of the cutting attachment (clockwise). When viewed from above, however, the cutting attachment rotates counterclockwise (see arrow embossed on top of deflector).

Some of the following symbols may be embossed on the outside of the deflector in order to indicate the approved combination of cutting attachment and deflector.



The deflector may be used in combination with mowing heads.



The deflector may be used in combination with grass cutting blades.



The deflector may be used in combination with brush knives.



The deflector must not be used in combination with mowing heads.



The deflector must not be used in combination with grass cutting blades.



The deflector must not be used in combination with brush knives.



The deflector must not be used in combination with circular saw blades.



The deflector must not be used in combination with brush knives or circular saw blades.



The deflector must not be used in combination with grass cutting blades, brush knives or circular saw blades.

Adjust carrying harness and hand grip to suit your size before starting work. The machine should be properly balanced as specified in your instruction manual for proper control and less fatigue in operation. To be better prepared in case of an emergency, practice releasing the unit from the harness as quickly as possible.

## Starting

### WARNING

Start the engine at least 10 feet (3 m) from the fueling spot, outdoors only.

For specific starting instructions, see the appropriate section of your manual. Place the power tool on firm ground or other solid surface in an open area. Maintain good balance and secure footing.

### WARNING

To reduce the risk of injury from blade or line contact, be absolutely sure that the cutting attachment is clear of you and all other obstructions and objects, including the ground, because when the engine starts at starting-throttle, engine speed will be fast enough for the clutch to engage and move the cutting attachment.

Once the engine has started, immediately blip the throttle trigger, which should release the starting throttle and allow the engine to slow down to idle.

With the engine running only at idle, attach the power tool to the spring hook of your harness (see appropriate chapter of this manual.)

### WARNING

Your power tool is a one-person machine. Do not allow other persons in the general work area, even when starting.

**! WARNING**

To reduce the risk of injury from loss of control, do not attempt to "drop start" your power tool.

**! WARNING**

When you pull the starter grip, do not wrap the starter rope around your hand. Do not let the grip snap back, but guide the starter rope to rewind it properly. Failure to follow this procedure may result in injury to your hand or fingers and may damage the starter mechanism.

**Important Adjustments****! WARNING**

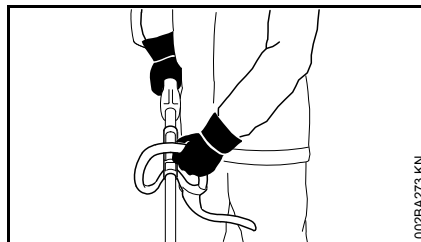
To reduce the risk of personal injury from loss of control or contact with the running cutting attachment, do not use your unit with incorrect idle adjustment. At correct idle speed, the cutting attachment should not move. For directions on how to adjust idle speed, see the appropriate section of your instruction manual.

If you cannot set the correct idle speed, have your STIHL dealer check your power tool and make proper adjustments and repairs.

**! WARNING**

This unit is equipped with an ignition system that is normally in operational readiness. After the stop switch is used to stop the engine, it automatically springs back to the "on" position. If the engine is warm, it may be possible to start it by simply pulling the starter rope,

with no further adjustments. To reduce the risk of injury, be particularly alert to keep children away from the unit.

**During Operation****Holding and Controlling the Power Tool**

Always hold the unit firmly with both hands on the handles while you are working. Wrap your fingers and thumbs around the handles.

**! WARNING**

To reduce the risk of injury from loss of control, never work on a ladder or on any other insecure support. Never hold the cutting attachment above waist height.

**! WARNING**

Never attempt to operate your power tool with one hand. Loss of control of the power tool resulting in serious or fatal injury may result. To reduce the risk of cut injuries, keep hands and feet away from the cutting attachment. Never touch a moving cutting attachment with your hand or any other part of your body.

**! WARNING**

Do not overreach. Keep proper footing and balance at all times. Special care must be taken in slippery conditions (wet ground, snow) and in difficult, overgrown terrain. Watch for hidden obstacles such as tree stumps, roots and ditches to avoid stumbling. For better footing, clear away scrub and cuttings. Be extremely cautious when working on slopes or uneven ground.

**Working Conditions**

Operate and start your power tool only outdoors in a well ventilated area. Operate it under good visibility and daylight conditions only. Work carefully.

**! WARNING**

As soon as the engine is running, this product generates toxic exhaust fumes containing chemicals, such as unburned hydrocarbons (including benzene) and carbon monoxide, that are known to cause respiratory problems, cancer, birth defects, or other reproductive harm. Some of the gases (e.g. carbon monoxide) may be colorless and odorless. To reduce the risk of serious or fatal injury / illness from inhaling toxic fumes, never run the machine indoors or in poorly ventilated locations.

**! WARNING**

If the vegetation being cut or the surrounding ground is coated with a chemical substance (such as an active pesticide or herbicide), read and follow the instructions and warnings that accompanied the substance at issue.

**! WARNING**

Inhalation of certain dusts, especially organic dusts such as mold or pollen, can cause susceptible persons to have an allergic or asthmatic reaction. Substantial or repeated inhalation of dust and other airborne contaminants, in particular those with a smaller particle size, may cause respiratory or other illnesses. Control dust at the source where possible. Use good work practices, such as operating the unit so that the wind or operating process directs any dust raised by the power tool away from the operator. Follow the recommendations of EPA / OSHA / NIOSH and occupational and trade associations with respect to dust ("particulate matter".) When the inhalation of dust cannot be substantially controlled, i.e., kept at or near the ambient (background) level, the operator and any bystanders should wear a respirator approved by NIOSH / MSHA for the type of dust encountered.

**Operating Instructions**

**! WARNING**

Do not operate your power tool using the starting throttle lock, as you do not have control of the engine speed.

In the event of an emergency, switch off the engine immediately – press the stop switch towards **0** or **STOP**.

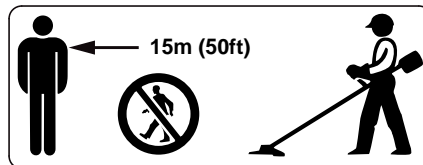
**! WARNING**



The cutting attachment continues to rotate for a short period after the throttle trigger is released (flywheel effect.)

**! WARNING**

The rotating cutting attachment may fling foreign objects directly or by ricochet a great distance.



To reduce the risk of eye and other injury always wear proper eye protection (see the chapter on "Proper Clothing") and ensure that bystanders are at least 15 m (50 feet) away. To reduce the risk of damage to property, also maintain this distance from such objects as vehicles or windows. Even maintaining a minimum distance of 15 meters cannot exclude all potential risks. Any coworkers who must be in the restricted area should also wear goggles or protective glasses. Stop the engine immediately if you are approached.

**! WARNING**



Inspect the work area: To reduce the risk of injury, remove stones, pieces of metal and other solid objects which could be thrown 15 meters or more by the cutting attachment or damage the cutting attachment or other property (e.g. parked vehicles, windows).



**! WARNING**

This trimmer / brushcutter is normally to be used at ground level with the cutting attachment parallel to the ground. Use of a trimmer / brushcutter above ground level or with the cutting attachment perpendicular to the ground may increase the risk of injury, since the cutting attachment is more fully exposed and the power tool may be more difficult to control.

**! WARNING**

During cutting, check the tightness and the condition of the cutting attachment at regular short intervals with the engine and attachment stopped. If the behavior of the attachment changes during use, stop the engine immediately, wait until the cutting attachment stops, and check the nut securing the attachment for tightness and the blade or head for cracks, wear or other damage.

**! WARNING**

A loose blade or head may vibrate, crack, break or come off the trimmer / brushcutter, which may result in serious or fatal injury. Make sure that the cutting attachment is properly tightened. Use the wrench supplied or one of sufficient length to obtain the proper torque. If the blade or head loosens after being properly tightened, stop work immediately. The retaining nut may be worn or damaged and should be replaced. If the blade or head continues to loosen, see your STIHL dealer. Never use a trimmer / brushcutter with a loose cutting attachment.

**! WARNING**

Replace a cracked, damaged or worn-out head or a cracked, bent, warped, damaged, dull or worn out blade immediately, even if damage is limited to superficial cracks. Such attachments may shatter at high speed and cause serious or fatal injury.

**! WARNING**

When using rigid blades, avoid cutting close to fences, sides of buildings, tree trunks, stones or other such objects that could cause the power tool to kick out or could cause damage to the blade. STIHL recommends use of the nylon line heads for such jobs. In addition, be alert to an increased possibility of ricochets in such situations.

**! WARNING**

If a rotating metal blade strikes a rock or other hard object, sparks may be created, which can ignite flammable materials under certain circumstances. Flammable materials can include dry vegetation and brush, particularly when weather conditions are hot and dry. When there is a risk of fire or wildfire, do not use metal blades around flammable materials or around dry vegetation or brush. Contact your local fire authorities or the U.S. Forestry Service if you have any question about whether vegetation and weather conditions are suitable for the use of a metal blade.

**! WARNING**

If the head, blade or deflector becomes clogged or stuck, always shut off the engine and make sure the cutting attachment has stopped before cleaning. Grass, weeds, etc. should be cleaned off the blade or from around the head at regular intervals.

**! WARNING**

To reduce the risk of unintentional rotation of the cutting attachment and injury, always shut off the engine and remove the spark plug boot before replacing the cutting attachment. To reduce the risk of injury, always shut off the engine before adjusting the length of the nylon line on manually adjustable mowing heads.

**! WARNING**

Do not pull on the starter rope with the spark plug boot or spark plug removed since the ignition is normally in the "ON" position and there is a risk of fire from uncontained sparking.

**! WARNING**

The gearbox becomes hot during operation. To reduce the risk of burn injury, do not touch the gear housing when it is hot.

**! WARNING**

Never modify your muffler. Any modification could cause an increase in heat radiation, sparks or sound level, thereby increasing the risk of fire, burn injury or hearing loss. You may also permanently damage the engine. Have your muffler serviced and repaired by your STIHL servicing dealer only.

**! WARNING**

The muffler and other parts of the engine (e.g. fins of the cylinder, spark plug) become hot during operation and remain hot for a while after stopping the engine. To reduce risk of burns, do not touch the muffler and other parts while they are hot. Keep the area around the muffler clean. Remove excess lubricant and all debris such as pine needles, branches or leaves. Let the engine cool down sitting on concrete, metal, bare ground or solid wood (away from any combustible substances, such as dry bush, grass or wood chips).

## **! WARNING**

An improperly mounted or damaged cylinder housing or a damaged/deformed muffler shell may interfere with the cooling process of the muffler. To reduce the risk of fire or burn injury, do not continue work with a damaged or improperly mounted cylinder housing or a damaged/deformed muffler shell.

Your muffler is furnished with a spark arresting screen designed to reduce the risk of fire from the emission of hot particles. Never operate your unit with a missing or damaged spark arresting screen. If your gas/oil mix ratio is correct (i.e., not too rich), this screen will normally stay clean as a result of the heat from the muffler and need no service or maintenance. If you experience loss of performance and you suspect a clogged screen, have your muffler maintained by a STIHL servicing dealer. Some state or federal laws or regulations may require a properly maintained spark arrestor for certain uses. See the "Maintenance, Repair and Storing" section of these Safety Precautions. Remember that the risk of a brush or forest fire is greater in hot or dry conditions.

## **USING THE CUTTING ATTACHMENT**

For an illustration of the various cutting attachments and instructions on proper mounting see the chapter on "Mounting the Cutting Attachment" in your instruction manual.

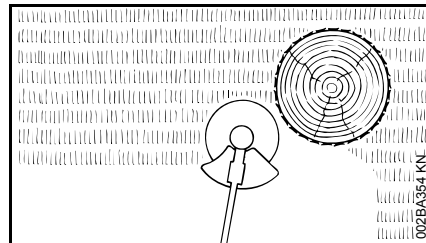
## **! WARNING**

To reduce the risk of severe or fatal injury from blade contact and / or loss of control, never attempt to use a metal blade on an FS model for which it is not authorized.

### **Using the Mowing Heads**

Do not use with mowing line longer than the intended length. With a properly mounted deflector, the built-in line-limiting blade will automatically adjust the line to its proper length.

Using the unit with an overly long nylon cutting line increases the load on the engine and reduces its operating speed. This causes the clutch to slip continuously and results in overheating and damage to important components (e.g. clutch, polymer housing components.) Such damage could, among other things, cause the cutting attachment to rotate at idle.



Mowing heads are to be used only on trimmer / brushcutters equipped with a line-limiting blade in the deflector in order to keep the line at the proper length (see "Main Parts" chapter in your instruction manual.)

If the lawn edges are planted with trees or bordered by a fence etc., it is best to use a nylon line head. It achieves a "softer" cut with less risk of damaging tree bark etc. than polymer blades.

However, the polymer-bladed STIHL PolyCut produces a better cut if there are no plants along the edge of the lawn. Sharpening is not necessary, and worn polymer blades are easily replaced.

## **! WARNING**

To reduce the risk of serious injury, never use wire or metal-reinforced line or other material in place of the nylon cutting lines. Pieces of wire could break off and be thrown at high speed toward the operator or bystanders.

### **STIHL SuperCut mowing head**

Fresh line is advanced automatically. Frayed line is replaced by a simple adjustment (see instruction sheet supplied with mowing head.)

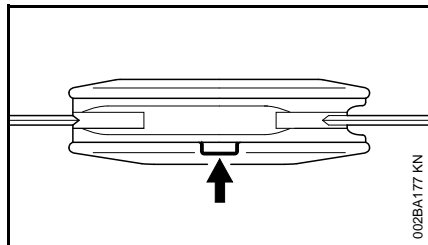
### **STIHL AutoCut mowing head**

Nylon cutting line advances automatically when tapped against the ground (TapAction.)

### **STIHL TrimCut mowing head**

Frayed line is replaced by a simple adjustment (see instruction sheet supplied with mowing head.)

## STIHL PolyCut mowing head



Uses either nylon lines or nonrigid, pivoting polymer blades.

### Observe wear indicators.



#### WARNING

Three rectangular wear limit marks are applied to the base (periphery) of the PolyCut. To reduce the risk of serious injury to the operator or bystanders from breakage of the head or blades, the PolyCut must not be used when it has worn as far as one of these marks. It is important to follow the maintenance instructions supplied with the head.



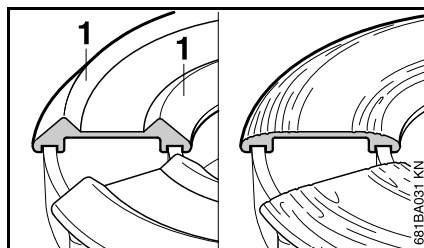
#### WARNING

To reduce the risk of accidents from shattered blades, avoid contact with stones, metal and similar solid objects. Check PolyCut blades for cracks at regular intervals. If a crack is found on one blade, always replace all blades.

## STIHL FixCut mowing head

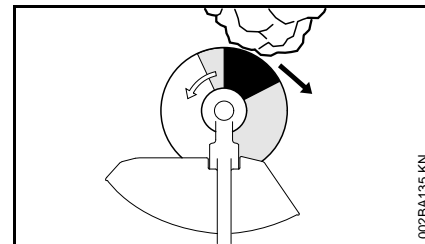
Uses pre-cut lengths of nylon line.

### Observe wear indicators.



Do not continue using the mowing head if the raised moldings (1) on the base are missing or worn – see right illustration above. The mowing head may otherwise shatter and flying objects could result in injury to the operator or bystanders. Install a new mowing head.

## Risk of Kickout (Blade Thrust) with All Rigid Cutting Blades



#### WARNING

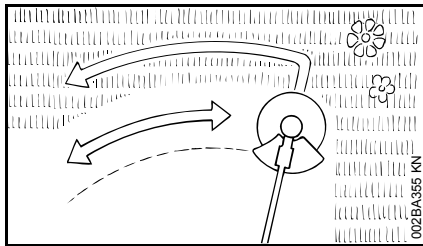


Kickout (blade thrust) is the sudden and uncontrolled motion towards the operator's right or rear that can occur when the shaded area (especially the darkly shaded area) of a rotating blade comes in contact with a solid rigid object like a tree, rock, bush or wall. The rapid counterclockwise rotation of the blade may be stopped or slowed, and the cutting attachment may be thrown to the right or to the rear.

This kickout (blade thrust) may cause loss of control of the power tool and may result in serious or fatal injury to the operator or bystanders. To reduce the risk of injury, extreme caution should be used when cutting with the shaded area of any rigid blade.



## Using the Grass Cutting Blade



All kinds of grass and weeds can be easily cut with the grass cutting blade. The power tool is swept in an arc similar to a scythe.

### **! WARNING**

To reduce the risk of serious or fatal injury from blade breakage, never attempt to use this blade to cut woody materials.

The 4-tooth grass cutting blade is intended to cut grass and weeds. It has 4 cutting knives with cutting edges on both sides, i.e. front and rear. When the cutting edges on one side become dull, the blade can be turned over to utilize the cutting edges on the other side.

The 8-tooth grass cutting blade is recommended for cutting fern or reed.

Both types of grass cutting blade have to be resharpened when all cutting edges are dull.

## **MAINTENANCE, REPAIR AND STORING**

**Maintenance, replacement, or repair of the emission control devices and systems may be performed by any nonroad engine repair establishment or**

**individual. However, if you make a warranty claim for a component which has not been serviced or maintained properly or if nonapproved replacement parts were used, STIHL may deny coverage.**

### **! WARNING**

Use only identical STIHL replacement parts for maintenance and repair. Use of non-STIHL parts may cause serious or fatal injury.

Strictly follow the maintenance and repair instructions in the appropriate sections of your instruction manual.

### **! WARNING**

Always stop the engine and make sure that the cutting attachment is stopped before doing any maintenance or repair work or cleaning the power tool. Do not attempt any maintenance or repair work not described in your instruction manual. Have such work performed by your STIHL servicing dealer only.

Wear gloves when handling or performing maintenance on blades.

### **! WARNING**

Use the specified spark plug, and make sure it and the ignition lead are always clean and in good condition. Always press the spark plug boot snugly onto the spark plug terminal of the proper size. (Note: If the terminal has a detachable SAE adapter nut, it must be securely attached.) A loose connection between the spark plug and the ignition wire connector in the boot may create arcing that could ignite combustible fumes and cause a fire.

### **! WARNING**

Never test the ignition system by pulling the starter rope with the spark plug boot removed from the spark plug or with a removed spark plug, since the ignition is normally in the "on" position and there is a risk that uncontained sparking may cause a fire.

### **! WARNING**

Do not operate your power tool if the muffler is damaged, missing or modified. An improperly maintained muffler will increase the risk of fire and hearing loss. Your muffler is equipped with a spark-arresting screen to reduce the risk of fire; never operate your power tool if the screen is missing, damaged or clogged. Remember that the risk of a brush or forest fire is greater in hot or dry weather.

In California, it is a violation of § 4442 or § 4443 of the Public Resources Code to use or operate gasoline-powered tools on forest-covered, brush-covered or grass-covered land unless the engine's exhaust system is equipped with a complying spark arrester that is maintained in effective working order. The owner/operator of this product is responsible for properly maintaining the spark arrester. Other states or governmental entities/agencies, such as the U.S. Forest Service, may have similar requirements. Contact your local fire agency or forest service for the laws or regulations relating to fire protection requirements.



 **WARNING**

Never repair damaged cutting attachments by welding, straightening or modifying the shape. This may cause parts of the cutting attachment to come off and result in serious or fatal injuries.

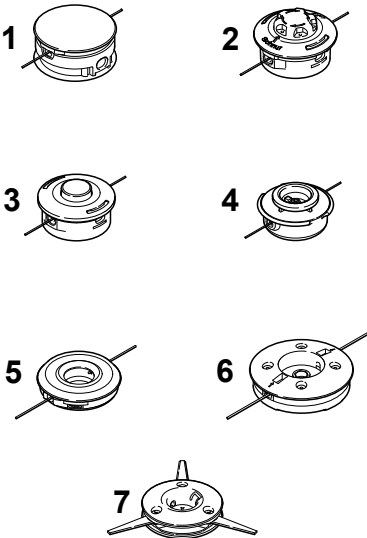
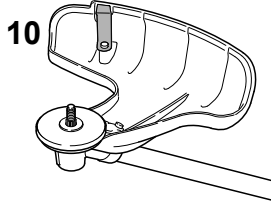
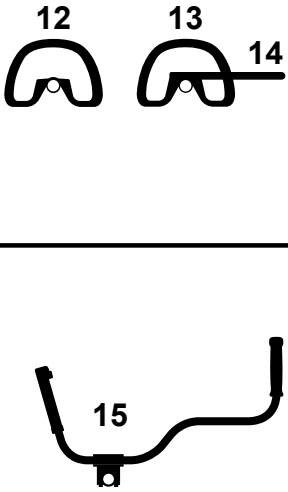
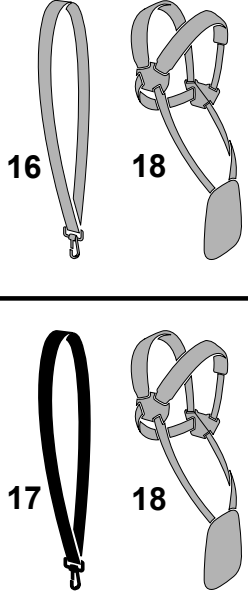
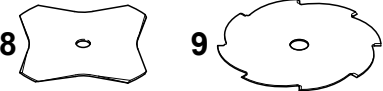
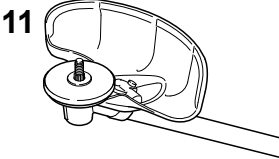
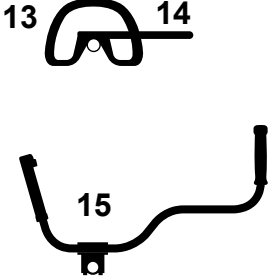
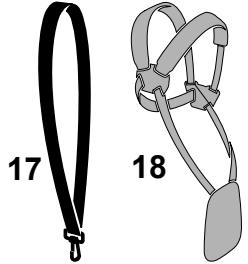
Keep blades sharp. Tighten all nuts, bolts and screws, except the carburetor adjustment screws, after each use.

Do not clean your machine with a pressure washer. The solid jet of water may damage parts of the machine.

Store the power tool in a dry and high or locked location out of reach of children.

Before storing for longer than a few days, always empty the fuel tank. See chapter "Storing the Machine" in the instruction manual.

## Approved Combinations of Cutting Attachment, Deflector, Handle and Harness

Cutting Attachment	Deflector	Handle	Shoulder Strap/Harness
 <p>1, 2, 3, 4, 5, 6, 7</p>	 <p>10</p>	 <p>12, 13, 14, 15</p>	 <p>16, 17, 18</p>
 <p>8, 9</p>	 <p>11</p>	 <p>13, 14, 15</p>	 <p>17, 18</p>

681BA284 KN

## Approved Combinations

The complete combination includes:

- Cutting attachment
- Deflector
- Handle
- Shoulder strap/harness

Select correct combination from the table according to the cutting attachment you intend to use.

### **WARNING**

For safety reasons only the cutting attachments, deflectors, handles and harnesses shown in each row of the table may be used together. No other combinations are permitted because of the **risk of accidents**.

## Cutting Attachments

### **Mowing heads**

- 1 STIHL SuperCut 20-2
- 2 STIHL AutoCut C 25-2
- 3 STIHL AutoCut 25-2
- 4 STIHL TrimCut 31-2
- 5 STIHL FixCut 25-2
- 6 STIHL DuroCut 20-2
- 7 STIHL PolyCut 20-3

### **Metal cutting attachments**

- 8 Grass cutting blade 230-4  
(Ø 230 mm)
- 9 Grass cutting blade 230-8  
(Ø 230 mm)

### **WARNING**

Non-metal grass cutting blades are not approved.

## Deflectors

- 10 Deflector with blade for mowing heads
- 11 Deflector for metal cutting attachments

## Handles

- 12 Loop handle
- 13 Loop handle with
- 14 barrier bar
- 15 Bicycle handle

## Shoulder strap/harness

- 16 Shoulder strap may be used
- 17 Shoulder strap must be used
- 18 Full harness may be used

### **WARNING**

Based on the cutting attachment being used:

Choose the proper deflector in order to reduce the risk of injury from thrown objects and contact with the cutting attachment.

Make sure your unit is equipped with the proper handle and harness in order to reduce the risk of injury from loss of control and contact with the cutting attachment: use grass cutting metal

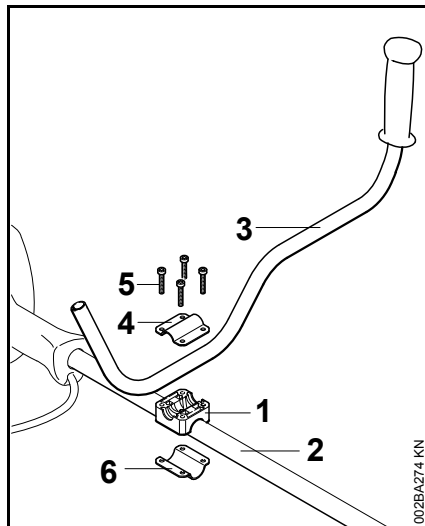
blades on this unit only if equipped with a bike handle or a loop handle with barrier bar.

Do not use rigid plastic blades, brush knives or circular saw blades on this unit.

## Mounting the Bike Handle

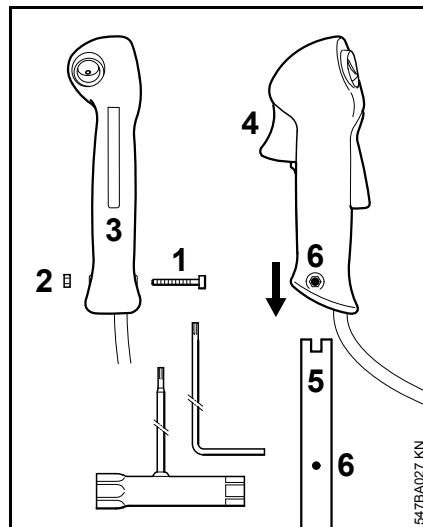
### Mounting the Handlebar

Mount the handlebar on the drive tube about 10 cm (4 in) forward of the engine housing.



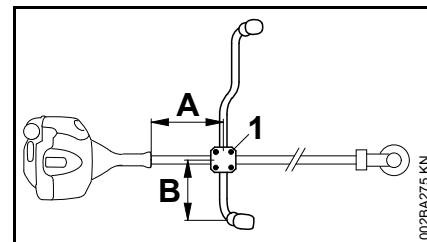
- Place the handle support (1) on the drive tube (2).
- Place the handlebar (3) in the handle support.
- Fit the clamp (4) on the handle support. Insert the screws (5) through the holes in the parts and screw them into clamp (6) as far as stop – tighten them only moderately at this stage.

### Mounting the Control Handle



- Take out the screw (1) – the nut (2) remains in the control handle (3).
- Push the control handle onto the handlebar (5) until the holes (6) line up – the throttle trigger (4) must point towards the gearbox.
- Insert the screw (1) and tighten it down firmly.

### Adjusting and securing the handlebar

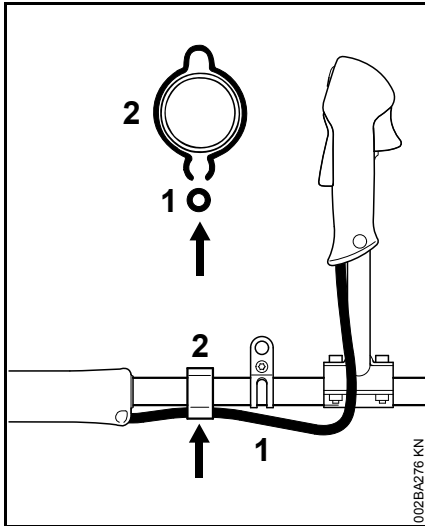


- Align the handlebar so that distance (A) is about 20 cm (8 in) and distance (B) about 15 cm (6 in).
- Tighten down the screws (1) firmly in a crosswise pattern.

### Fitting the Throttle Cable

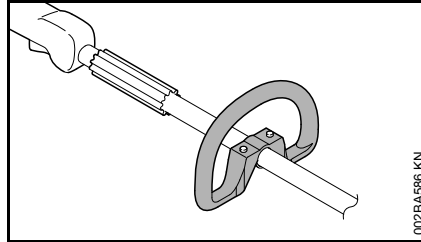
#### NOTICE

Do not kink the throttle cable or lay it in tight radii – make sure the throttle trigger moves freely.



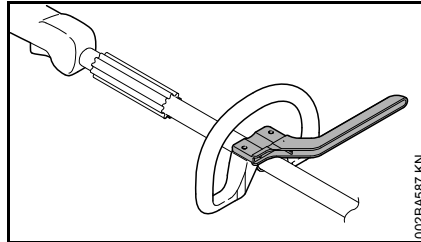
- Push the throttle cable (1) into the retainer (2).

## Mounting the Loop Handle



A factory-new machine comes with the loop handle already mounted.

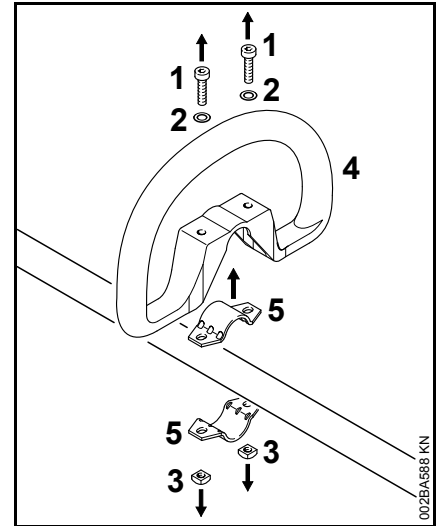
## Using the Barrier Bar



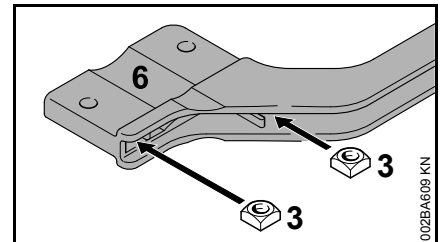
A barrier bar may have to be mounted to suit the cutting attachment you intend to use – see "Approved Combinations of Cutting Attachment, Deflector, Handle and Harness".

The barrier bar comes standard with the machine or is available as a special accessory.

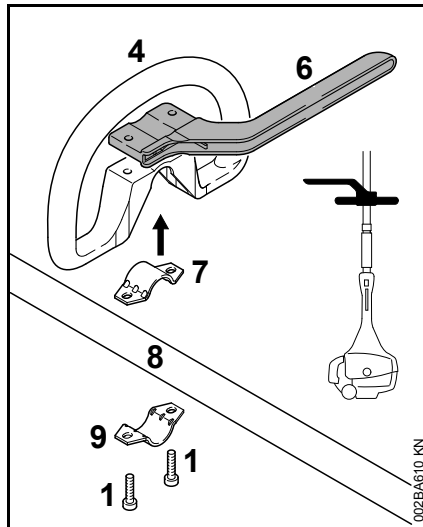
## Mounting the Barrier Bar



- Take out the screws (1) and remove along with washers (2) and nuts (3).
- Remove the loop handle (4) and clamps (5).



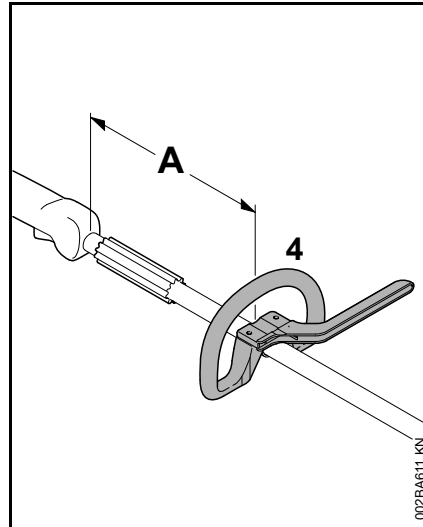
- Fit the square nuts (3) in the barrier bar (6); the holes must line up.



- Place the clamp (7) in the loop handle (4) and position them both against the drive tube (8).
- Position the clamp (8) against the drive tube.
- Place the barrier bar (6) in position as shown.
- Line up the holes.
- Insert the screws (1) in the holes and screw them into the barrier bar as far as stop.
- Go to "Adjusting and Securing the Loop Handle".

Leave the barrier bar permanently mounted to the loop handle.

### Adjusting and Securing the Loop Handle



The loop handle can be adjusted to suit the height and reach of the operator and the application by changing distance (A).

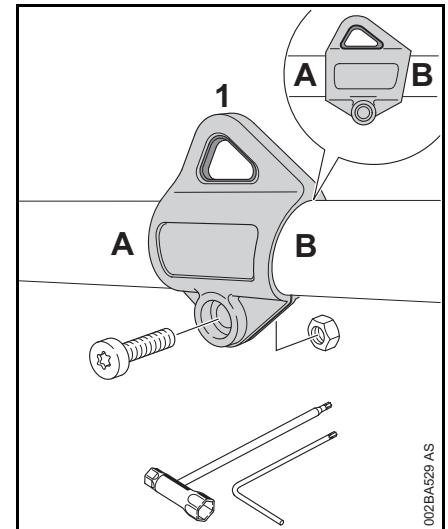
Recommendation: distance (A): about 15 cm (5.9 in)

- Slide the handle to the required position.
- Line up the loop handle (4).
- Tighten down the screws until the loop handle can no longer be rotated on the drive tube. If no barrier bar is fitted – lock the nuts if necessary.

### Fitting the Carrying Ring

#### Polymer Version

The carrying ring comes standard with the machine or is available as a special accessory.

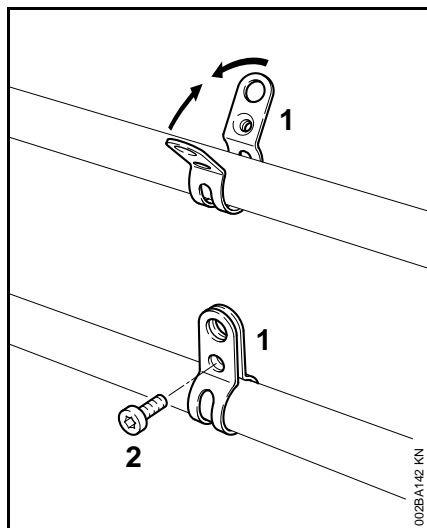


For position of carrying ring see "Main Parts".

- Hold the carrying ring (1) with its slotted side against the drive tube and then push it over the drive tube.
- Insert the M5 nut in the hex recess in the carrying ring.
- Fit the M5x14 screw from the other side.
- Line up the carrying ring.
- Tighten down the screw firmly.

## Metal Version

The carrying ring comes standard with the machine or is available as a special accessory.

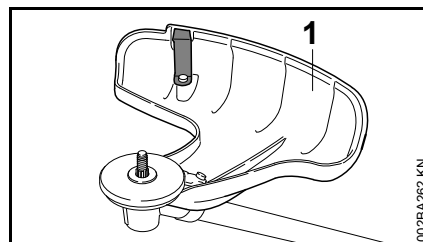


For position of carrying ring see "Main Parts".

- Place the clamp (1) against the drive tube **with the tapped hole on the left** (viewed from engine).
- Squeeze the two ends of the clamp together and hold in that position.
- Insert the M6x14 screw (2).
- Line up the carrying ring.
- Tighten down the screw firmly.

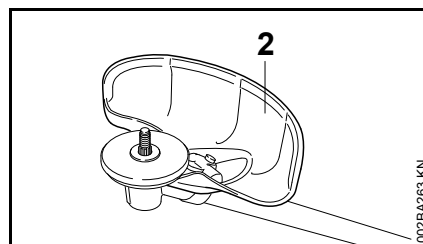
## Mounting the Deflector

### Use the right deflector



### **!** WARNING

Deflector (1) is approved for mowing heads only and must therefore be mounted before fitting a mowing head

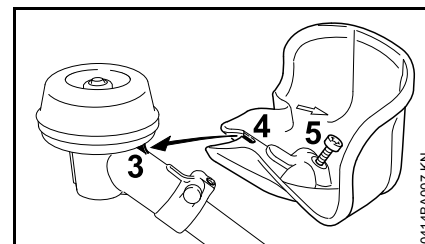


### **!** WARNING

Deflector (2) is approved for grass cutting blades only and must therefore be mounted before fitting a grass cutting blade.

### Mounting the deflector

Deflectors (1) and (2) are both mounted to the gearbox in the same way.

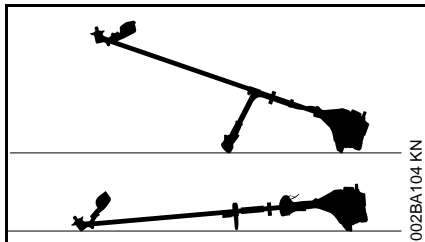


- Position the deflector against the gearbox so that the lug (3) engages the recess (4) in the deflector.
- Insert the screw (5) and tighten it down firmly.

On some versions the M5x14 screw is packed loose with the deflector.

## Mounting the Cutting Attachment

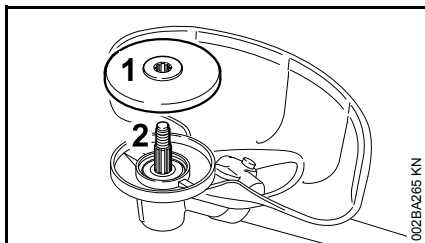
### Placing power tool on the ground



- Shut off the engine.
- Lay your power tool on its back so that the cutting attachment mounting face is pointing up.

### Fitting the Thrust Plate

The machine comes standard with the thrust plate.



- Slip the thrust plate (1) over the shaft (2).

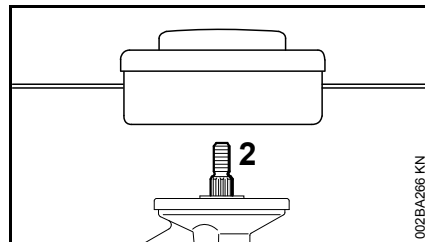
### NOTICE

The thrust plate on the gearbox is necessary for mounting cutting tools.

## Mounting Hardware for Cutting Attachments

The mounting hardware supplied depends on the cutting attachment that comes as original equipment with the new machine.

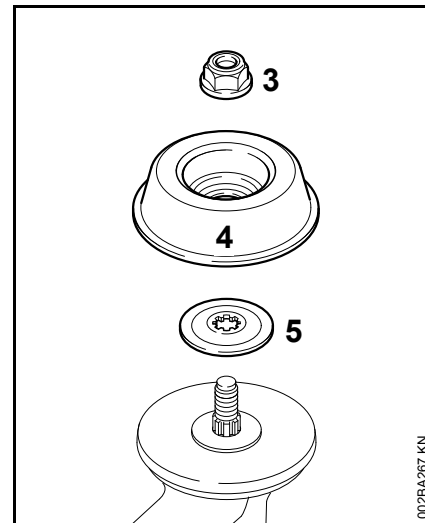
### If mounting hardware is not packed with machine



Only mowing heads may be used which mount directly to the shaft (2).

### If mounting hardware is packed with machine

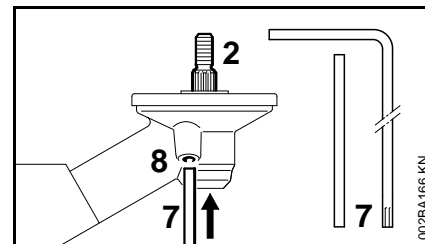
Mowing heads and metal cutting tools may be mounted.



The nut (3), rider plate (4) and thrust washer (5) are required to secure some mowing heads.

These parts are included in a kit supplied with the machine and are also available as special accessories.

### Block the shaft.



The output shaft (2) must be blocked with the stop pin (7) or screwdriver (7) to mount or remove cutting tools. These parts come standard with the machine or are available as special accessories.



- Insert the stop pin (7) or offset screwdriver (7) in the hole (8) in the gearbox as far as stop – and apply slight pressure.
- Rotate shaft or cutting attachment until the stop pin slips into position and blocks the shaft.

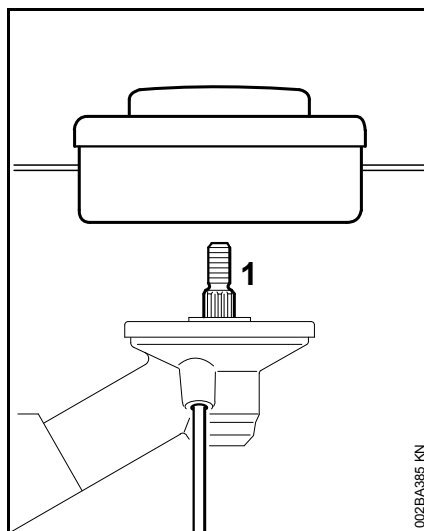
### Mounting the Cutting Attachment

#### **! WARNING**

Use a deflector that matches the cutting attachment – see "Mounting the Deflector".

### Fitting Mowing Head with Screw Mounting

Keep the instruction leaflet for the mowing head in a safe place.



- Screw the mowing head counterclockwise on to the shaft (1) as far as stop.
- Block the shaft.
- Tighten down the mowing head firmly.

#### **NOTICE**

Remove the tool used to block the shaft.

### Removing the Mowing Head

- Block the shaft.
- Unscrew the mowing head clockwise.

### Mounting Metal Cutting Attachment

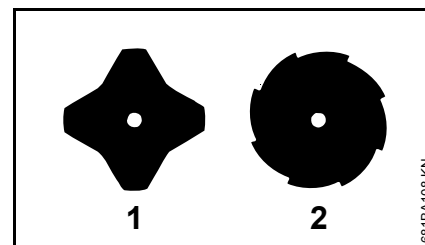
Keep the leaflet and packaging of the metal cutting tool in a safe place.

#### **! WARNING**

Wear protective gloves to reduce the risk of direct contact with the sharp cutting edges.

Mount only one metal cutting attachment.

**Check direction of rotation of cutting attachment**

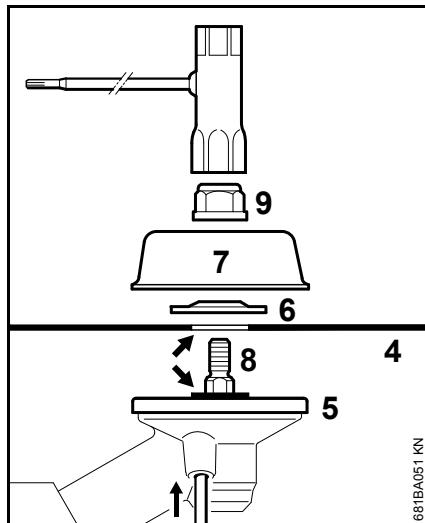


The cutting edges of the grass cutting blade (1) may point in either direction – this cutting attachment must be turned over regularly to reduce one-sided wear.

Cutting edges of grass cutting blade (2) must point clockwise.

#### **! WARNING**

Direction of rotation is indicated by an arrow on the inside of the deflector.



- Place the cutting attachment (4) on the thrust plate (5).

**! WARNING**

Collar (see arrow) must engage the cutting attachment's mounting hole.

**Securing the cutting attachment**

- Fit the thrust washer (6) – convex side must face up.
- Fit the rider plate (7).
- Block the shaft (8).
- Screw the mounting nut (9) on to the shaft counterclockwise and tighten it down firmly.

**! WARNING**

If the mounting nut has become too loose, fit a new one.

**NOTICE**

Remove the tool used to block the shaft.

**Removing the Metal Cutting Attachment**

**! WARNING**

Wear protective gloves to reduce the risk of direct contact with the sharp cutting edges.

- Block the shaft.
- Unscrew the mounting nut clockwise.
- Remove cutting attachment and its mounting hardware from the gearbox – but **do not** remove the thrust plate (5).

**Fuel**

This engine is certified to operate on unleaded gasoline and the STIHL two-stroke engine oil at a mix ratio of 50:1.

Your engine requires a mixture of high-quality gasoline and two-stroke air cooled engine oil.

Use mid-grade unleaded gasoline with a minimum octane rating of 89 ((R+M)/2) and no more than 10% ethanol content.

Fuel with a lower octane rating may increase engine temperatures. This, in turn, increases the risk of piston seizure and damage to the engine.

The chemical composition of the fuel is also important. Some fuel additives not only detrimentally affect elastomers (carburetor diaphragms, oil seals, fuel lines, etc.), but magnesium castings and catalytic converters as well. This could cause running problems or even damage the engine. For this reason STIHL recommends that you use only high-quality unleaded gasoline!

Gasoline with an ethanol content of more than 10% can cause running problems and major damage in engines and should not be used.

The ethanol content in gasoline affects engine running speed – it may be necessary to readjust the carburetor if you use fuels with various ethanol contents.

**! WARNING**

To reduce the risk of personal injury from loss of control and/or contact with the running cutting tool, do not use your

unit with incorrect idle adjustment. At correct idle speed, the cutting tool should not move.

If your power tool shows an incorrect idle adjustment, have your STIHL dealer check your power tool and make proper adjustments and repairs.

The idle speed and maximum speed of the engine change if you switch from a fuel with a certain ethanol content to another fuel with a much higher or lower ethanol content.

This problem can be avoided by always using fuel with the same ethanol content.

Use only STIHL two-stroke engine oil or equivalent high-quality two-stroke engine oils that are designed for use only in air cooled two-cycle engines.

We recommend STIHL HP Ultra 2-Cycle Engine Oil since it is specially formulated for use in STIHL engines.

Do not use BIA or TCW rated (two-stroke water cooled) mix oils or other mix oils that state they are for use in both water cooled and air cooled engines (e.g., outboard motors, snowmobiles, chain saws, mopeds, etc.).

### **WARNING**

Take care when handling gasoline. Avoid direct contact with the skin and avoid inhaling fuel vapor. When filling at the pump, first remove the container from your vehicle and place the container on the ground before filling. To reduce the risk of sparks from static discharge and resulting fire and/or explosion, do not fill fuel containers that are sitting in or on a vehicle or trailer.

The container should be kept tightly closed in order to limit the amount of moisture that gets into the mixture.

The machine's fuel tank should be cleaned as necessary.

### Fuel mix ages

Only mix sufficient fuel for a few days work, not to exceed 30 days of storage. Store in approved fuel-containers only. When mixing, pour oil into the container first, and then add gasoline. Close the container and shake it vigorously by hand to ensure proper mixing of the oil with the fuel.

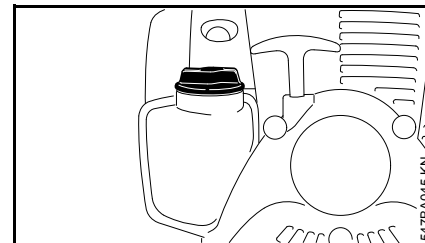
Gasoline	Oil (STIHL 50:1 or equivalent high-quality oils)
US gal.	US fl.oz.
1	2.6
2 1/2	6.4
5	12.8

Dispose of empty mixing-oil containers only at authorized disposal locations.

## Fueling



### Preparations



- Before fueling, clean the filler cap and the area around it to ensure that no dirt falls into the tank.

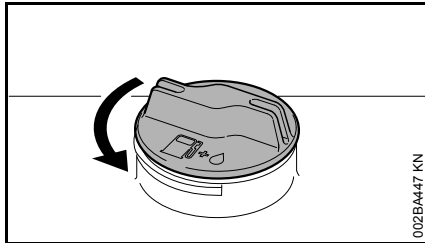
Always thoroughly shake the mixture in the canister before fueling your machine.

- Position the machine so that the filler cap is facing up.

### **WARNING**

In order to reduce the risk of fire and personal injury from escaping gas vapor and fumes, remove the fuel filler cap carefully so as to allow any pressure build-up in the tank to release slowly.

## Opening the threaded filler cap

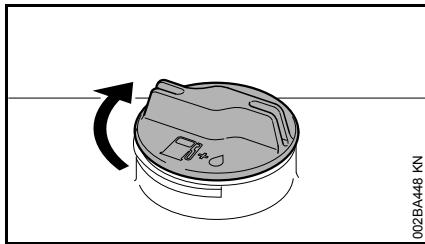


- Turn the cap counterclockwise until it can be removed from the tank opening.
- Remove the filler cap.

## Refueling

Take care not to spill fuel while fueling and do not overfill the tank.

## Closing the threaded filler cap



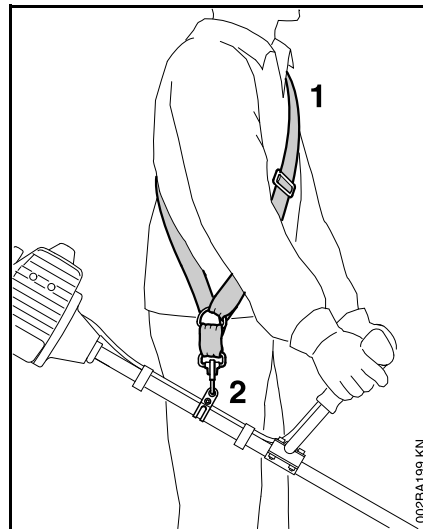
- Position cap.
- Turn the cap clockwise as far as it will go and tighten it as securely as possible by hand.

## Fitting the Harness

The type and style of the harness depend on the market.

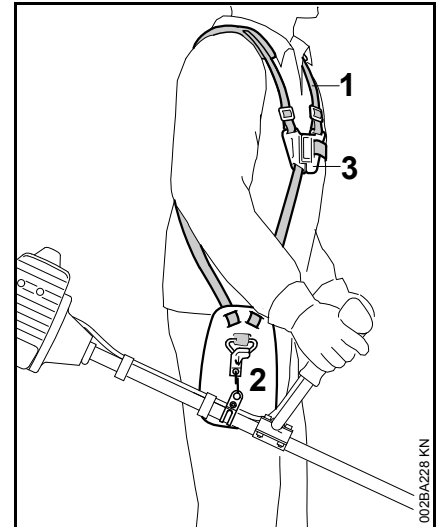
The use of the harness is described in the chapter on "Approved Combinations of Cutting Attachment, Deflector, Handle and Harness".

### Shoulder strap



- Put on the shoulder strap (1).
- Adjust the length of the strap so that the carabiner (2) is about a hand's width below your right hip.
- Balance the machine.

## Full Harness



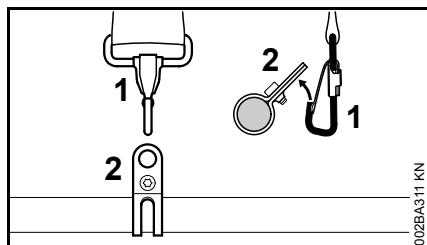
- Put on the harness (1) and close the locking plate (3).
- Adjust the length of the strap – with the machine attached, the carabiner (2) must be about a hand's width below your right hip.
- Balance the machine – see "Balancing the Machine".

## Balancing the Machine

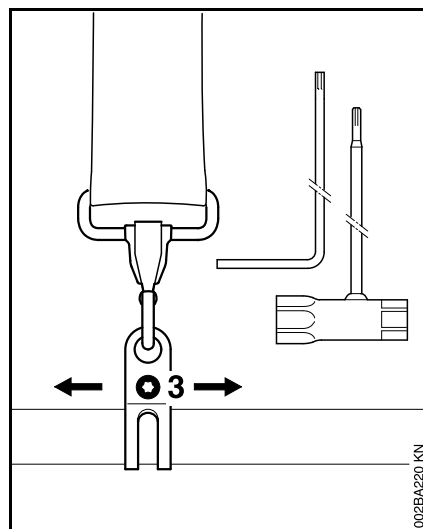
The type and style of the harness and carabiner (spring hook) depend on the market.

The carrying ring is integrated in the control handle on loop-handled units—see "Main Parts". Loop-handled units do not need to be balanced.

### Attaching the unit to the harness

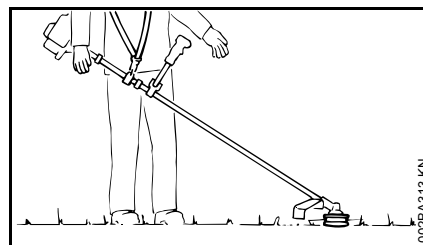


- Attach the carabiner (1) to the carrying ring (2) on the drive tube.



- Loosen the screw (3).

### Floating position



- Mowing heads and grass cutting blades should just touch the ground.

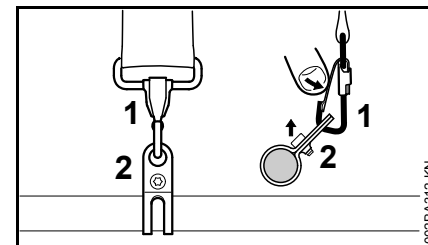
Proceed as follows to adjust the floating position:

- Move the carrying ring up or down the drive tube – tighten the screw moderately – let the unit go and wait until it is balanced – then check the floating position.

When the correct floating position has been reached:

- Tighten down the screw on the carrying ring firmly.

### Detaching the unit from the harness

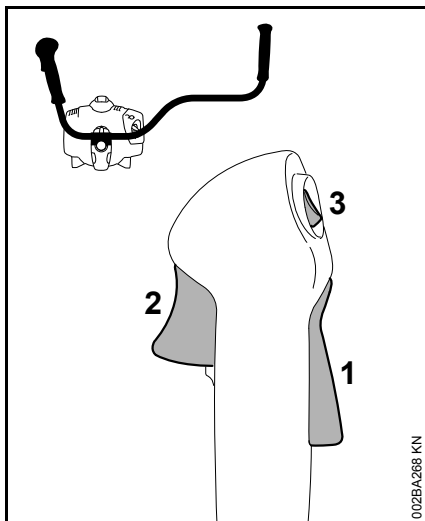


- Press down the bar on the carabiner (1) and pull the carrying ring (2) out of the carabiner.

## Starting / Stopping the Engine

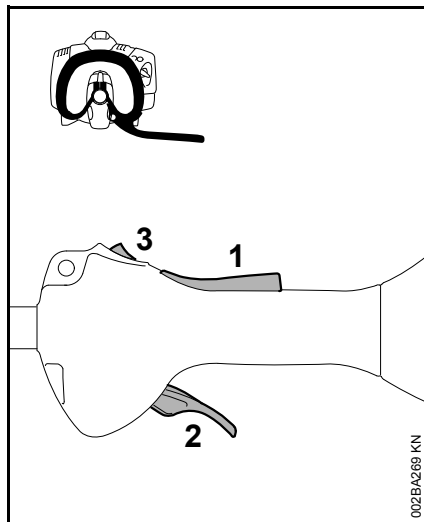
### Controls

#### Version with bike handle



- 1 Throttle trigger lockout
- 2 Throttle trigger
- 3 Stop switch with **Run** and **0** = Stop positions.

#### Version with loop handle

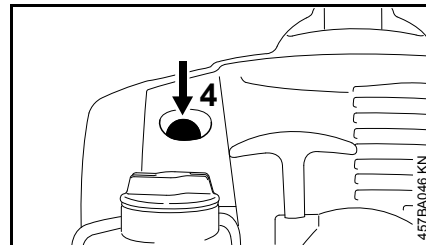


- 1 Throttle trigger lockout
- 2 Throttle trigger
- 3 Stop switch with **Run** and **0** = Stop positions.

#### Function of stop switch and ignition system

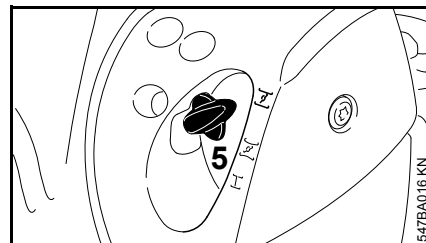
The stop switch is normally in the Run position, i.e. when it is **not** depressed: The ignition is switched on – the engine is ready to start. If the stop switch is moved to the **0** position, the ignition is switched off. The ignition is switched on again automatically after the engine stops.

#### Starting the Engine



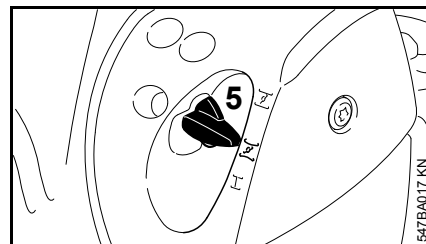
- Press the manual fuel pump bulb (4) at least five times – even if the bulb is filled with fuel.

#### Cold engine (cold start)



- Press in the choke lever (5) and turn it to **I** at the same time.

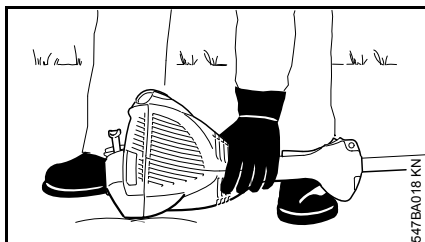
#### Warm engine (warm start)



- Press in the choke lever (5) and turn it to **II** at the same time.

Also use this setting if the engine has been running but is still cold.

### Cranking



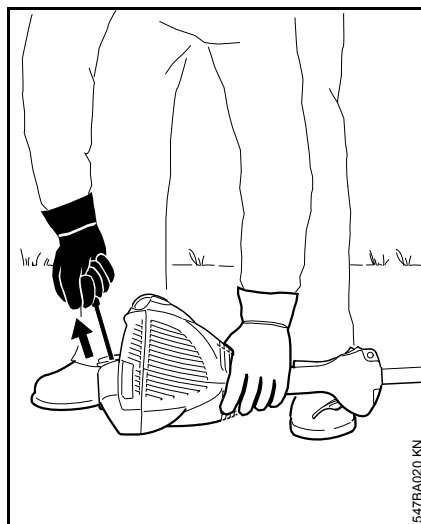
- Place the unit on the ground: It must rest securely on the engine support and the deflector.
- If fitted: Remove the transport guard from the cutting attachment.

**To reduce the risk of accidents**, check that the cutting attachment is not touching the ground of any other obstacles.

- Make sure you have a firm footing, either standing, stooping or kneeling.
- Hold the unit **firmly** on the ground with your left hand and press down – do not touch the throttle trigger, lockout lever or stop switch.

### NOTICE

Do not stand or kneel on the drive tube.



- Hold the starter grip with your right hand.

### Version without Easy2Start

- Pull the starter grip slowly until you feel it engage and then give it a brisk strong pull.

### Version with Easy2Start

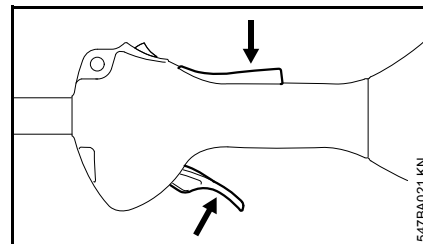
- Pull the starter grip steadily.

### NOTICE

Do not pull out the starter rope all the way – **it might otherwise break**.

- Do not let the starter grip snap back. Guide it slowly back into the housing so that the starter rope can rewind properly.
- Continue cranking until engine runs.

### As soon as the engine runs



- Press down the throttle trigger lockout and open the throttle – the choke lever moves to the run position I. After a cold start, warm up the engine by opening the throttle several times.

### **!** WARNING

Make sure the carburetor is correctly adjusted. The cutting attachment must not rotate when the engine is idling.

Your machine is now ready for operation.

### Stopping the Engine


- Move the stop switch in the direction of **0** – the engine stops – release the stop switch – it springs back to the run position.

### Other Hints on Starting

#### Engine stalls in cold start position **I** or under acceleration

- Move the choke lever to **II** and continue cranking until the engine runs.

### Engine does not start in warm start position

- Move the choke lever to  and continue cranking until the engine runs.

### If the engine does not start

- Check that all settings are correct.
- Check that there is fuel in the tank and refuel if necessary.
- Check that the spark plug boot is properly connected.
- Repeat the starting procedure.

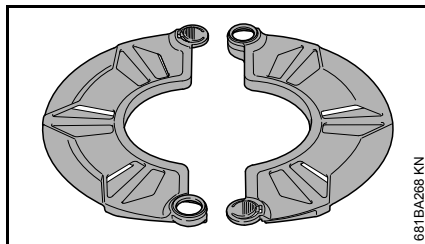
### Fuel tank run until completely dry

- After refueling, press the manual fuel pump bulb at least five times – even if the bulb is filled with fuel.
- Set the choke lever to suit the engine temperature.
- Now start the engine.

## Transporting the Unit

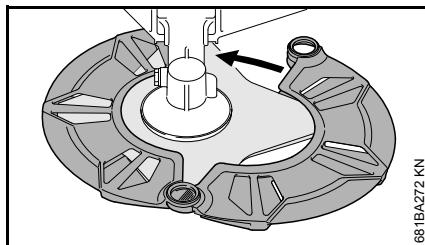
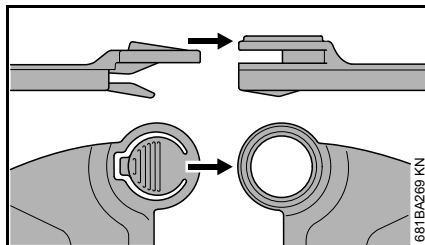
### Using transport guard

Transport guards are available as special accessories.



The transport guard can be used for grass cutting blades up to a diameter of 230 mm.

### Fitting the transport guard



## Operating Instructions

### During break-in period

A factory-new machine should not be run at high revs (full throttle off load) for the first three tank fillings. This avoids unnecessary high loads during the break-in period. As all moving parts have to bed in during the break-in period, the frictional resistances in the engine are greater during this period. The engine develops its maximum power after about 5 to 15 tank fillings.

### During Operation

After a long period of full throttle operation, allow the engine to run for a short while at idle speed so that engine heat can be dissipated by the flow of cooling air. This protects engine-mounted components (ignition, carburetor) from thermal overload.

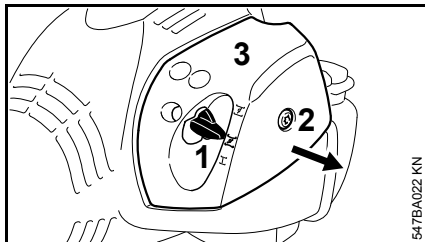
### After Finishing Work

Storing for a short period: Wait for the engine to cool down. Empty the fuel tank and keep the machine in a dry place, well away from sources of ignition, until you need it again. For longer out-of-service periods – see "Storing the Machine".

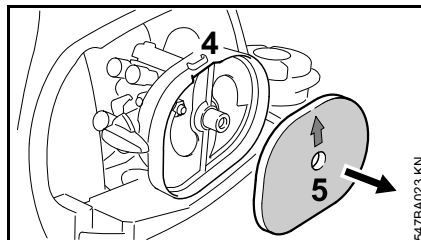


## Cleaning the Air Filter

If there is a noticeable loss of engine power



- Move the choke lever (1) to  $\overline{\text{E}}$ .
- Turn the screw (2) in the filter cover (3) counterclockwise until the cover is loose.
- Ease the filter cover (3) over the choke lever and lift it away.
- Clean away loose dirt from around the filter.



- Reach into the recess (4) in the filter housing and take out the felt filter (5).
- Fit a new felt filter element (5). As a temporary measure you can knock it out on the palm of your hand or blow it out with compressed air. Do not wash.

### NOTICE

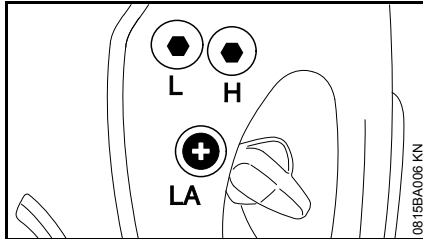
Replace damaged parts.

- Fit the felt filter (5) in the filter housing, make sure it is properly seated – the arrow points to the recess.
- Move the choke lever (1) to  $\overline{\text{E}}$ .
- Fit the filter cover in position, making sure the screw is square. Tighten down the screw.

## Engine Management

Exhaust emissions are controlled by the design of the fundamental engine parameters and components (e.g. carburation, ignition, timing and valve or port timing) without the addition of any major hardware.

## Adjusting the Carburetor



The carburetor has been set at the factory to provide an optimum fuel-air mixture under most operating conditions.

### Adjusting Idle Speed

#### Engine stops while idling

- Warm up the engine for about 3 minutes.
- Turn the idle speed screw (LA) slowly clockwise until the engine runs smoothly – the cutting attachment must not run.

#### Cutting attachment runs when engine is idling

- Turn the idle speed screw (LA) counterclockwise until the cutting attachment stops moving and then rotate the screw another 1/2 to 3/4 turn in the same direction.

### WARNING

If the cutting attachment continues to run when the engine is idling, have your machine checked and repaired by your servicing dealer.

## Spark Plug

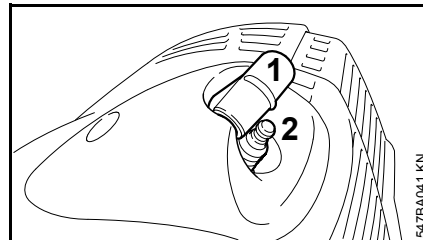
If engine is down on power, difficult to start or runs poorly at idling speed, first check the spark plug.

**Fit a new spark plug after approx. 100 operating hours** or earlier if the electrodes are badly eroded.

Wrong fuel mix (too much engine oil in the gasoline), a dirty air filter and unfavorable running conditions (mostly at part throttle etc.) affect the condition of the spark plug. These factors cause deposits to form on the insulator nose which may result in trouble in operation.

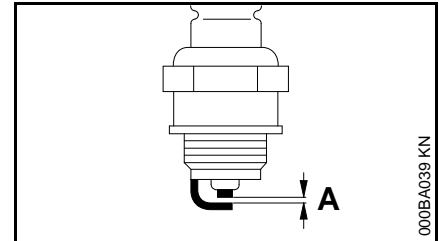
### Removing the Spark Plug

- Shut off the engine.



- Remove the spark plug boot (1).
- Unscrew the spark plug (2).

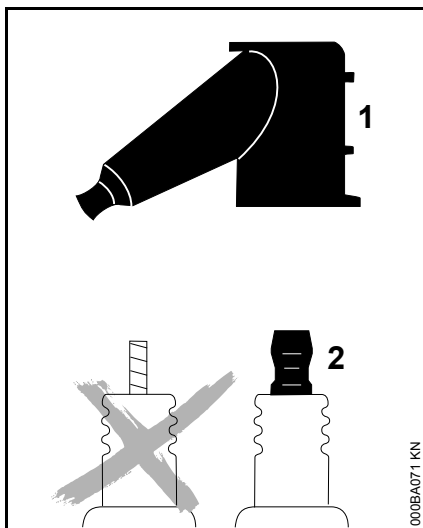
### Checking the Spark Plug



- Clean dirty spark plug.
- Check electrode gap (A) and readjust if necessary – see "Specifications."
- Use only resistor type spark plugs of the approved range.

Rectify problems that have caused fouling of spark plug:

- too much oil in fuel mix,
- dirty air filter,
- unfavorable running conditions, e.g. operating at part load.



### **! WARNING**

To reduce the risk of fire and burn injury, use only spark plugs authorized by STIHL. Always press spark plug boot (1) snugly onto spark plug terminal (2) of the proper size. (Note: If terminal has detachable SAE adapter nut, it must be securely attached.) A loose connection between spark plug boot and ignition wire connector in the boot may create arcing that could ignite combustible fumes and cause a fire.

### **Installing the Spark Plug**

- Screw the spark plug into the cylinder.
- Press the boot firmly onto the spark plug.

## **Engine Running Behavior**

If engine running behavior is unsatisfactory even though the air filter is clean and the carburetor is properly adjusted, the cause may be the muffler.

Have the muffler checked for contamination (carbonization) by your servicing dealer.

STIHL recommends that you have servicing and repair work carried out exclusively by an authorized STIHL servicing dealer.

## **Rewind Starter**

To help prolong the wear life of the starter rope, observe the following points:

- Pull the starter rope only in the direction specified.
- Do not pull the rope over the edge of the guide bushing.
- Do not pull out the rope more than specified.
- Do not allow the starter grip to snap back, guide it back into the housing slowly – see chapter on "Starting / Stopping the Engine."

Have a damaged starter rope replaced by your dealer before it breaks completely. STIHL recommends that you have servicing and repair work carried out exclusively by an authorized STIHL servicing dealer.

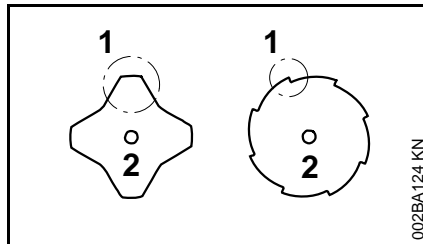
## Storing the Machine

For periods of about 3 months or longer

- Drain and clean the fuel tank in a well ventilated area.
- Dispose of fuel properly in accordance with local environmental requirements.
- Run the engine until the carburetor is dry – this helps prevent the carburetor diaphragms sticking together.
- Remove, clean and inspect the cutting attachment. Coat metal cutting attachments with corrosion inhibitor.
- Thoroughly clean the machine – pay special attention to the cylinder fins and air filter.
- Store the machine in a dry and secure location – out of the reach of children and other unauthorized persons.

## Sharpening Metal Cutting Blades

- Use a sharpening file (see "Special Accessories") to sharpen dull cutting attachments. In case of more serious wear or nicks: Resharpener with a grinder or have the work done by a dealer – STIHL recommends a STIHL servicing dealer.
- Sharpen frequently, take away as little metal as possible – two or three strokes of the file are usually enough.



- Resharpener the teeth (1) uniformly – do not alter the contour of the parent blade (2) in any way.

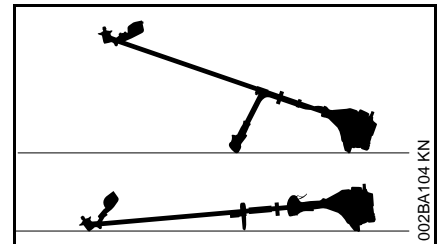
See cutting attachment packaging for additional sharpening instructions. Keep the packaging for future reference.

## Balancing

- After resharpening about 5 times, check the cutting tool for out-of-balance on a STIHL balancer (special accessory) or have it checked by a dealer and re-balanced as necessary – STIHL recommends a STIHL servicing dealer.

## Maintaining the Mowing Head

### Placing power tool on the ground



- Shut off the engine.
- Lay your power tool on its back so that the cutting attachment mounting face is pointing up.

### Replacing Nylon Line

Always check the mowing head for signs of wear before replacing the nylon line.

### WARNING

If there are signs of serious wear, replace the complete mowing head.

The nylon mowing line is referred to as "nylon line" or "line" in the following.

The mowing head is supplied with illustrated instructions for replacing the nylon line. Keep the instructions for the mowing head in a safe place.

- If necessary, remove the mowing head.

## Adjusting Nylon Line

### STIHL SuperCut

Fresh line is advanced automatically if the remaining line is **at least 6 cm (2 1/2 in)** long. The blade on the deflector trims overlong lines to the correct length.

### STIHL AutoCut

- With the engine running, hold the rotating mowing head above the grass surface.
- Tap it on the ground once – fresh line is advanced and the blade on the deflector trims it to the right length.

Fresh line is advanced every time the mowing head is tapped on the ground. For this reason observe the mowing head's cutting performance during operation. If the mowing head is tapped on the ground too often, the line limiter blade will unnecessarily cut off unused lengths of nylon line.

Line feed operates only if both lines are still at least **2.5 cm (1 in)** long.

### STIHL TrimCut



#### **WARNING**

**To reduce the risk of injury**, always shut off the engine before adjusting the nylon line by hand.

- Pull the spool up – rotate it about 1/6 turn counterclockwise until it engages – and allow it to spring back.
- Pull ends of the lines outward.

Repeat the above procedure as necessary until both lines reach the limiter blade on the deflector.

Rotating the spool from one stop to the next advances about **4 cm (1 1/2 in)** of fresh line.

## Replacing nylon line

### STIHL PolyCut

A length of nylon line can be fitted to the PolyCut in place of the cutting blades.

### STIHL DuroCut, STIHL FixCut, STIHL PolyCut



#### **WARNING**

**To reduce the risk of injury**, always shut off the engine before refilling the mowing head by hand.

- Fit nylon line in mowing head as described in the instructions supplied.

## Replacing Cutting Blades

### STIHL PolyCut

Always check the mowing head for signs of wear before installing new cutting blades.



#### **WARNING**

If there are signs of serious wear, replace the complete mowing head.

The thermoplastic cutting blades are referred to as "blades" in the following.

The mowing head is supplied with illustrated instructions for replacing the blades. Keep the instructions for the mowing head in a safe place.



#### **WARNING**

**To reduce the risk of injury**, always shut off the engine before installing the blades.

- Remove the mowing head.
- Replace blades as shown in the illustrated instructions.
- Mount the mowing head on the machine.

## Inspections and Maintenance by Dealer

### Spark arresting screen in muffler

- If the engine is down on power, check the spark arresting screen in the muffler.

STIHL recommends that you have servicing and repair work carried out exclusively by an authorized STIHL servicing dealer.

## Maintenance and Care

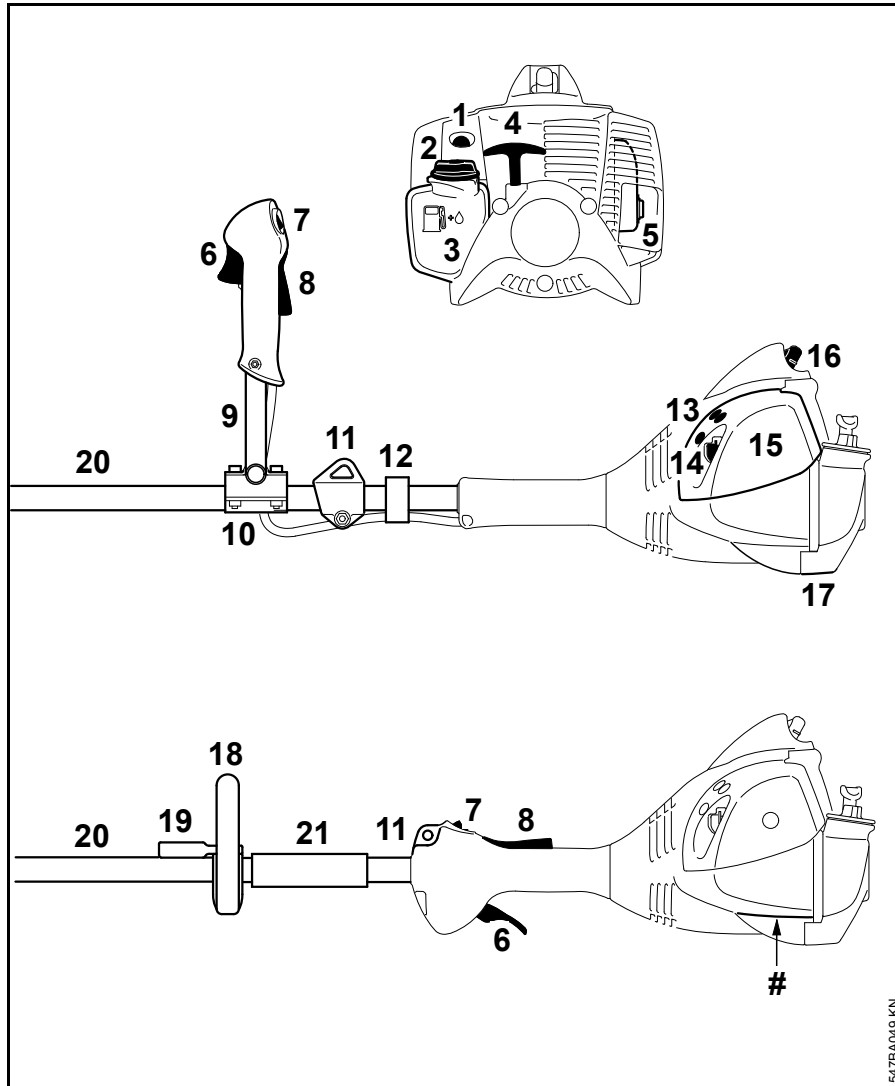
The following intervals apply to normal operating conditions only. If your daily working time is longer or operating conditions are difficult (very dusty work area, etc.), shorten the specified intervals accordingly.		before starting work	after finishing work or daily	after each refueling stop	weekly	monthly	every 12 months	if problem	if damaged	as required
Complete machine	Visual inspection (condition, leaks)	X		X						
	Clean		X							
	Replace damaged parts	X							X	
Control handle	Check operation	X		X						
Air filter	Visual inspection					X		X		X
	Clean							X		X
	Replace								X	
Manual fuel pump (if fitted)	Check	X								
	Have repaired by servicing dealer <sup>1)</sup>								X	
Pickup body in fuel tank	Check							X		
	Replace						X		X	X
Fuel tank	Clean							X		X
Carburetor	Check idle adjustment – the cutting attachment must not run	X		X						
	Adjust idle speed									X
Spark plug	Readjust electrode gap							X		
	Replace after every 100 operating hours									
Cooling inlets	Visual inspection		X							
	Clean									X
Spark arresting screen in muffler	Have checked by servicing dealer <sup>1)</sup>							X		
	Have cleaned or replaced by servicing dealer <sup>1)</sup>								X	X
All accessible screws and nuts (not adjusting screws)	Retighten									X

The following intervals apply to normal operating conditions only. If your daily working time is longer or operating conditions are difficult (very dusty work area, etc.), shorten the specified intervals accordingly.		before starting work	after finishing work or daily	after each refueling stop	weekly	monthly	every 12 months	if problem	if damaged	as required
Cutting attachment	Visual inspection	X		X						
	Replace								X	
	Check tightness	X		X						
Metal cutting attachment	Sharpen	X								X
Safety labels	Replace								X	

<sup>1)</sup> STIHL recommends an authorized STIHL servicing dealer.



## Main Parts



- 1 Manual Fuel Pump
- 2 Fuel Filler Cap
- 3 Fuel Tank
- 4 Starter Grip
- 5 Muffler
- 6 Throttle Trigger
- 7 Stop Switch
- 8 Throttle Trigger Lockout
- 9 Bike Handle
- 10 Handle Support
- 11 Carrying Ring
- 12 Throttle Cable Retainer
- 13 Carburetor Adjusting Screws
- 14 Choke Lever
- 15 Air Filter Cover
- 16 Spark Plug Boot
- 17 Machine Support
- 18 Loop Handle
- 19 Barrier Bar (country specific)
- 20 Drive Tube
- 21 Sleeve
- # Serial Number

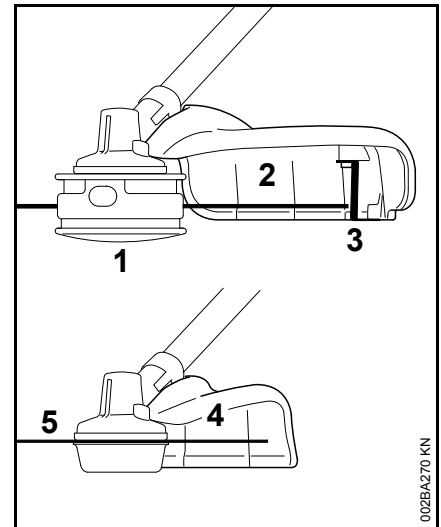
547BA049 KN

## Definitions

---

- 1. Manual Fuel Pump**  
Provides additional fuel feed for a cold start.
- 2. Fuel Filler Cap**  
For closing the fuel tank.
- 3. Fuel Tank**  
For fuel and oil mixture.
- 4. Starter Grip**  
The grip of the pull starter, for starting the engine.
- 5. Muffler with Spark Arresting Screen**  
Muffler reduces exhaust noises and diverts exhaust gases away from operator. Spark arresting screen is designed to reduce the risk of fire.
- 6. Throttle Trigger**  
Controls the speed of the engine.
- 7. Stop Switch**  
Switches the engine's ignition off and stops the engine.
- 8. Throttle Trigger Lockout**  
Must be depressed before the throttle trigger can be activated.
- 9. Bike Handle**  
For easy control of the machine with both hands during cutting work.
- 10. Handle Support**  
Connects the drive shaft to the handle bars.
- 11. Carrying Ring**  
Connects the trimmer/brushcutter to the harness.

- 12. Throttle Cable Retainer**  
Secures the throttle cable to the drive tube.
- 13. Carburetor Adjusting Screws**  
For tuning the carburetor.
- 14. Choke Lever**  
Eases engine starting by enriching mixture.
- 15. Air Filter Cover**  
Covers and protects the air filter element.
- 16. Spark Plug Boot**  
Connects the spark plug with the ignition lead.
- 17. Machine Support**  
For resting machine on the ground.
- 18. Loop Handle (with Barrier Bar)**  
For easy control of machine during cutting work.
- 19. Barrier Bar**  
Helps keep user's feet and legs clear of the cutting attachment.
- 20. Drive Tube**  
Encloses and protects the drive shaft between the engine and gearbox.
- 21. Sleeve**  
Maintains minimum clearance between control handle and loop handle.



- 1** Mowing Head
- 2** Deflector for Mowing Heads
- 3** Line Limiting Blade
- 4** Deflector for Grass Cutting Blades
- 5** Grass Cutting Blade

## Definitions

---

- 1. Mowing Head**  
The cutting attachment, i. e. mowing head, for different purposes.
- 2. Deflector for Mowing Heads**  
The deflector is designed to reduce the risk of injury from foreign objects flung backwards toward the operator by the cutting attachment and from contact with the cutting attachment.

**3. Line Limiting Blade**

Metal blade at the deflector in order to keep the line of the mowing head at the proper length.

**4. Deflector for Grass Cutting Blades**

The deflector is designed to reduce the risk of injury from foreign objects flung backwards toward the operator by the cutting attachment and from contact with the cutting attachment.

**5. Grass Cutting Blade**

The grass cutting blade made from metal for different purposes (special accessory).

## Specifications

### EPA / CEPA

The Emission Compliance Period referred to on the Emissions Compliance Label indicates the number of operating hours for which the engine has been shown to meet Federal emission requirements.

Category

A = 300 hours

B = 125 hours

C = 50 hours

### CARB

The Emission Compliance Period used on the CARB-Air Index Label indicates the terms:

Extended = 300 hours

Intermediate = 125 hours

Moderate = 50 hours

### Engine

#### Single cylinder two-stroke engine

Displacement: 1.66 cu. in.  
(27.2 cm<sup>3</sup>)

Bore: 1.34 in. (34 mm)

Stroke: 1.18 in. (30 mm)

Engine power to ISO 8893: 1.1 hp (0.8 kW)  
at 8,500 rpm

Idle speed: 2,800 rpm

Cut-off speed (rated): 10,000 rpm

Max. output shaft speed (cutting attachment): 8,600 rpm

### Ignition System

Electronic magneto ignition

Spark plug (resistor type): NGK CMR 6 H

Electrode gap: 0.02 in.  
(0.5 mm)

### Fuel System

All position diaphragm carburetor with integral fuel pump

Fuel tank capacity: 11.5 fl.oz (0.34 l)

### Weight

#### Standard versions

dry, without cutting attachment and deflector

FS 56: 11.3 lbs. (5.1 kg)

FS 56 R: 10.4 lbs (4.7 kg)

### Versions with Easy2Start

dry, without cutting attachment and deflector


FS 56 C: 11.6 lbs (5.2 kg)

FS 56 RC: 10.7 lbs (4.8 kg)

## Maintenance and Repairs

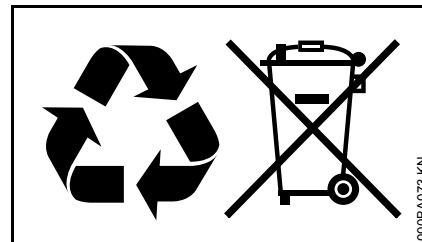
Users of this unit should carry out only the maintenance operations described in this manual. STIHL recommends that other repair work be performed only by authorized STIHL servicing dealers.

Warranty claims following repairs can be accepted only if the repair has been performed by an authorized STIHL servicing dealer using genuine STIHL replacement parts.

Genuine STIHL parts can be identified by the STIHL part number, the **STIHL** logo and, in some cases, by the STIHL parts symbol . The symbol may appear alone on small parts.

## Disposal

Observe all country-specific waste disposal rules and regulations.



STIHL products must not be thrown in the garbage can. Take the product, accessories and packaging to an approved disposal site for environment-friendly recycling.

Contact your STIHL servicing dealer for the latest information on waste disposal.

## STIHL Incorporated Federal Emission Control Warranty Statement

### Not for California

---

#### Your Warranty Rights and Obligations

The U.S. Environmental Protection Agency (EPA) and STIHL Incorporated are pleased to explain the Emission Control System Warranty on your equipment type engine. In the U.S. new 1997 and later model year small off-road equipment engines must be designed, built and equipped, at the time of sale, to meet the U.S. EPA regulations for small non road engines. The equipment engine must be free from defects in materials and workmanship which cause it to fail to conform with U.S. EPA standards for the first two years of engine use from the date of sale to the ultimate purchaser.

STIHL Incorporated must warrant the emission control system on your small off-road engine for the period of time listed below provided there has been no abuse, neglect or improper maintenance of your small off-road equipment engine.

Your emission control system includes parts such as the carburetor and the ignition system. Also included may be hoses, and connectors and other emission-related assemblies.

Where a warrantable condition exists, STIHL Incorporated will repair your small off-road equipment engine at no cost to you, including diagnosis (if the diagnostic work is performed at an authorized dealer), parts, and labor.

#### Manufacturer's Warranty Coverage

In the U.S., 1997 and later model year small off-road equipment engines are warranted for two years. If any emission-related part on your engine is defective, the part will be repaired or replaced by STIHL Incorporated free of charge.

#### Owner's Warranty Responsibilities

As the small off-road equipment engine owner, you are responsible for the performance of the required maintenance listed in your instruction manual. STIHL Incorporated recommends that you retain all receipts covering maintenance on your small off-road equipment engine, but STIHL Incorporated cannot deny warranty solely for the lack of receipts or for your failure to ensure the performance of all scheduled maintenance.

Any replacement part or service that is equivalent in performance and durability may be used in non-warranty maintenance or repairs, and shall not reduce the warranty obligations of the engine manufacturer.

As the small off-road equipment engine owner, you should be aware, however, that STIHL Incorporated may deny you warranty coverage if your small off-road equipment engine or a part has failed due to abuse, neglect, improper maintenance or unapproved modifications.

You are responsible for presenting your small off-road equipment engine to a STIHL service center as soon as a problem exists. The warranty repairs will be completed in a reasonable amount of time, not to exceed 30 days.

If you have any questions regarding your warranty rights and responsibilities, please contact a STIHL customer service representative at 1-800-467-8445 or you can write to

STIHL Inc.,  
536 Viking Drive, P.O. Box 2015,  
Virginia Beach, VA 23450-2015

[www.stihlusa.com](http://www.stihlusa.com)

#### Coverage by STIHL Incorporated

STIHL Incorporated warrants to the ultimate purchaser and each subsequent purchaser that your small off-road equipment engine will be designed, built and equipped, at the time of sale, to meet all applicable regulations. STIHL Incorporated also warrants to the initial purchaser and each subsequent purchaser that your engine is free from defects in materials and workmanship which cause the engine to fail to conform with applicable regulations for a period of two years.

#### Warranty Period

The warranty period will begin on the date the utility equipment engine is purchased by the initial purchaser and you have signed and sent back the warranty card to STIHL.

If any emission-related part on your engine is defective, the part will be replaced by STIHL Incorporated at no cost to the owner. Any warranted part which is not scheduled for replacement as required maintenance, or which is scheduled only for regular inspection to the effect of "repair or replace as necessary" will be warranted for the warranty period. Any warranted part which is scheduled for replacement as

required maintenance will be warranted for the period of time up to the first scheduled replacement point for that part.

### Diagnosis

You, as the owner, shall not be charged for diagnostic labor which leads to the determination that a warranted part is defective. However, if you claim warranty for a component and the machine is tested as non-defective, STIHL Incorporated will charge you for the cost of the emission test. Mechanical diagnostic work will be performed at an authorized STIHL servicing dealer. Emission test may be performed either at STIHL Incorporated or at any independent test laboratory.

### Warranty Work

STIHL Incorporated shall remedy warranty defects at any authorized STIHL servicing dealer or warranty station. Any such work shall be free of charge to the owner if it is determined that a warranted part is defective.

Any manufacturer-approved or equivalent replacement part may be used for any warranty maintenance or repairs on emission-related parts and must be provided without charge to the owner. STIHL Incorporated is liable for damages to other engine components caused by the failure of a warranted part still under warranty.

The following list specifically defines the emission-related warranted parts:

- Air Filter
- Carburetor (if applicable)
- Fuel Pump

- Choke (Cold Start Enrichment System) (if applicable)
- Control Linkages
- Intake Manifold
- Magneto or Electronic Ignition System (Ignition Module or Electronic Control Unit)
- Fly Wheel
- Spark Plug
- Injection Valve (if applicable)
- Injection Pump (if applicable)
- Throttle Housing (if applicable)
- Cylinder
- Muffler
- Catalytic Converter (if applicable)
- Fuel Tank
- Fuel Cap
- Fuel Line
- Fuel Line Fittings
- Clamps
- Fasteners

### Where to make a Claim for Warranty Service

Bring the product to any authorized STIHL servicing dealer and present the signed warranty card.

### Maintenance Requirements

The maintenance instructions in this manual are based on the application of the recommended 2-stroke fuel-oil mixture (see also instruction "Fuel"). Deviations from this recommendation

regarding quality and mixing ratio of fuel and oil may require shorter maintenance intervals.

### Limitations

This Emission Control Systems Warranty shall not cover any of the following:

- repair or replacement required because of misuse, neglect or lack of required maintenance,
- repairs improperly performed or replacements not conforming to STIHL Incorporated specifications that adversely affect performance and/or durability, and alterations or modifications not recommended or approved in writing by STIHL Incorporated,

and

- replacement of parts and other services and adjustments necessary for required maintenance at and after the first scheduled replacement point.

## STIHL Incorporated California Exhaust and Evaporative Emissions Control Warranty Statement

### For California only

#### Your Warranty Rights and Obligations

The California Air Resources Board (CARB) and STIHL Incorporated are pleased to explain the emission control system warranty on your 2014 and later small off-road equipment engine.

In California, new equipment that uses small off-road engines must be designed, built, and equipped to meet the State's stringent anti-smog standards. STIHL Incorporated must warrant the emissions control system on your small off-road engine for the period listed below provided there has been no abuse, neglect or improper maintenance of your small off-road engine.

Your emissions control system may include parts such as the carburetor or fuel-injection system, the ignition system, and catalytic converter. Also included may be hoses, belts, connectors or other emission-related assemblies.

Where a warrantable condition exists, STIHL Incorporated will repair your small off-road equipment engine at no cost to you including diagnosis, parts and labor.

#### Manufacturer's Warranty Responsibilities

This emissions control system is warranted for two years in California. If any emissions-related part on your equipment is defective, the part will be repaired or replaced by STIHL Incorporated free of charge.

#### Owner's Warranty Responsibilities

As the small off-road equipment engine owner, you are responsible for performance of the required maintenance listed in your instruction manual. STIHL Incorporated recommends that you retain all receipts covering maintenance on your small off-road equipment engine, but STIHL Incorporated cannot deny warranty solely for the lack of receipts or your failure to ensure the performance of all scheduled maintenance.

As the small off-road equipment engine owner, you should however be aware that STIHL Incorporated may deny you warranty coverage if your small off-road equipment engine or a part has failed due to abuse, neglect, or improper maintenance or unapproved modifications.

You are responsible for presenting your small off-road equipment engine to a STIHL servicing dealer as soon as the problem exists. The warranty repairs should be completed in a reasonable amount of time, not to exceed 30 days. If you have any questions regarding your warranty rights and responsibilities, please contact a STIHL customer service representative at 1-800-467-8445 or you can write to

STIHL Inc., 536 Viking Drive,  
P.O. Box 2015,  
Virginia Beach, VA 23450-2015.

[www.stihlusa.com](http://www.stihlusa.com)

#### Coverage by STIHL Incorporated

STIHL Incorporated warrants to the ultimate purchaser and each subsequent purchaser that your small off-road equipment engine is designed, built and equipped, at the time of sale, to meet all applicable emission regulations.

STIHL Incorporated also warrants to the initial purchaser and each subsequent purchaser that your engine is free from defects in materials and workmanship which cause the engine to fail to conform to applicable emission regulations for a period of two years.

#### Defects Warranty Period

The warranty periods will begin on the date the utility equipment engine is purchased by the initial purchaser. If any emission-related part on your engine is defective, the part will be replaced by STIHL Incorporated at no cost to the owner.

Add-on or modified parts that are not exempted by CARB may not be used. The use of any non-exempted add-on or modified parts will be grounds for disallowing a warranty claim. STIHL Incorporated will not be liable to warrant failures of warranted parts caused by the use of a non-exempted add-on or modified part.

The warranty on emissions-related parts will be interpreted as follows:

1. Any warranted part that is not scheduled for replacement as required maintenance in the written instructions required in the Emission Warranty Parts List (see below) must be warranted for the warranty period defined in Subsection COVERAGE BY STIHL INCORPORATED, see above. If any such part fails during the period of warranty coverage, it must be repaired or replaced by the manufacturer according to Subsection (4) below. Any such part repaired or replaced under the warranty must be warranted for the remaining warranty period.
2. Any warranted part that is scheduled only for regular inspection in the written instructions required by the Emission Warranty Parts List (see below) must be warranted for the warranty period defined in Subsection COVERAGE BY STIHL INCORPORATED, see above. A statement in such written instructions to the effect of "repair or replace as necessary" will not reduce the period of warranty coverage. Any such part repaired or replaced under warranty must be warranted for the remaining warranty period.
3. Any warranted part that is scheduled for replacement as required maintenance in the written instructions required by the Emission Warranty Parts List (see below) must be warranted for the period of time prior to the first scheduled replacement point for

that part. If the part fails prior to the first scheduled replacement, the part must be repaired or replaced by the engine manufacturer according to Subsection (4) below. Any such part repaired or replaced under warranty must be warranted for the remainder of the period prior to the first scheduled replacement point for the part.

4. Repair or replacement of any warranted part under the warranty must be performed at a warranty station at no charge to the owner.
5. Notwithstanding the provisions of Subsection (4) above, warranty services or repairs will be provided at all manufacturer distribution centers that are authorized to service the subject engines.
6. The owner must not be charged for diagnostic labor that leads to the determination that a warranted part is in fact defective, provided that such diagnostic work is performed at a warranty station.

#### **Warranty Work**

STIHL Incorporated shall remedy warranty defects at any authorized STIHL servicing dealer or warranty station. Any such work shall be free of charge to the owner if it is determined that a warranted part is defective. Any manufacturer approved or equivalent replacement part may be used for any warranty maintenance or repairs on emission-related parts and must be provided without charge to the owner. STIHL Incorporated is liable for

damages to other engine components caused by the failure of a warranted part still under warranty.

#### **Emission Warranty Parts List**

Air Filter, Carburetor (if applicable), Fuel Pump, Choke (Cold Start Enrichment System) (if applicable), Control Linkages, Intake Manifold, Magneto or Electronic Ignition System (Ignition Module or Electronic Control Unit), Fly Wheel, Spark Plug, Injection Valve (if applicable), Injection Pump (if applicable), Throttle Housing (if applicable), Cylinder, Muffler, Catalytic Converter (if applicable), Fuel Tank, Fuel Cap, Fuel Line, Fuel Line Fittings, Clamps, Fasteners.

#### **Where to make a Claim for Warranty Service**

Bring the STIHL product to any authorized STIHL servicing dealer and present the signed STIHL product registration card, or the print-out of the electronic product registration.

#### **Limitations**

The repair or replacement of any warranted part otherwise eligible for warranty coverage may be excluded from such warranty coverage if STIHL Incorporated demonstrates that the STIHL product has been abused, neglected, or improperly maintained, and that such abuse, neglect, or improper maintenance was the direct cause of the need for repair or replacement of the part. That notwithstanding, any adjustment of a component that has a factory installed,



and properly operating, adjustment limiting device is still eligible for warranty coverage.

## Trademarks

### STIHL Registered Trademarks

STIHL®

**STIHL®**



The color combination orange-grey (U.S. Registrations #2,821,860; #3,010,057, #3,010,058, #3,400,477; and #3,400,476)



AutoCut®

EASYSTART®

FARM BOSS®

iCademy®

MAGNUM®

MasterWrench Service®

MotoMix®

OILOMATIC®

Rock Boss®

STIHL Cutquik®

STIHL DUROMATIC®

STIHL Quickstop®

STIHL ROLLOMATIC®

STIHL WOOD BOSS®

TIMBERSPORTS®

WOOD BOSS®

YARD BOSS®

### Some of STIHL's Common Law Trademarks



4-MIX™

BioPlus™

Easy2Start™

EasySpool™

ElastoStart™

Ematic™

FixCut™

HT Plus™

IntelliCarb™

Master Control Lever™

Micro™

Pro Mark™

*English*

Quad Power ™

Quiet Line ™

STIHL Arctic ™

STIHL Compact ™

STIHL HomeScaper Series ™

STIHL Interchangeable Attachment  
Series ™

STIHL M-Tronic ™

STIHL MiniBoss ™

STIHL MotoPlus 4 ™

STIHL Multi-Cut HomeScaper Series ™

STIHL OUTFITTERS ™

STIHL PICCO ™

STIHL PolyCut ™

STIHL PowerSweep ™

STIHL Precision Series ™

STIHL Protech ™

STIHL RAPID ™

STIHL SuperCut ™

STIHL Territory ™

TapAction ™

TrimCut ™

This listing of trademarks is subject to  
change.

Any unauthorized use of these  
trademarks without the express written  
consent of  
ANDREAS STIHL AG & Co. KG,  
Waiblingen is strictly prohibited.

## Contenido

Acerca de este manual de instrucciones	50	Componentes importantes	90
Medidas de seguridad y técnicas de manejo	51	Especificaciones	92
Combinaciones aprobadas de accesorio de corte, deflector, mango y arnés	65	Información de reparación	93
Montaje del manillar	67	Desecho	93
Montaje del mango tórico	68	Declaración de garantía de STIHL Incorporated sobre sistemas de control de emisiones según normas Federales	94
Montaje de la argolla de transporte	69	Declaración de garantía de STIHL Incorporated sobre el control de emisiones de gases de escape y emisiones por evaporación para el Estado de California	96
Montaje de la barra de defensa	70	Marcas comerciales	99
Montaje del accesorio de corte	71		
Combustible	74		
Llenado de combustible	75		
Uso de la correa para hombro	76		
Equilibrio de la máquina	76		
Arranque / parada del motor	77		
Traslado de la unidad	80		
Instrucciones para el uso	80		
Limpieza del filtro de aire	81		
Gestión del motor	82		
Ajuste del carburador	82		
Bujía	83		
Funcionamiento del motor	84		
Dispositivo de arranque	84		
Almacenamiento de la máquina	84		
Afilado de los accesorios de corte	85		
Mantenimiento de la cabeza segadora	85		
Inspección y mantenimiento por el concesionario	87		
Información para mantenimiento	88		

Permita que solamente las personas que comprenden la materia tratada en este manual manejen su orilladora/cortadora de matorrales.

Para obtener el rendimiento y satisfacción máximos de la orilladora/cortadora de matorrales STIHL, es importante que lea, obedezca y comprenda las precauciones de seguridad y las instrucciones de uso y mantenimiento dadas en el capítulo "Precauciones de seguridad y técnicas de uso", antes de usar la orilladora. Para obtener información adicional, visite [www.stihlusa.com](http://www.stihlusa.com).

Comuníquese con su representante de STIHL o el distribuidor de STIHL para su zona si no se entiende alguna de las instrucciones dadas en el presente manual.

### ADVERTENCIA

Dado que la orilladora/cortadora de matorrales es una herramienta de corte motorizada de gran velocidad, es necesario tomar medidas especiales de seguridad para reducir el riesgo de lesiones. El uso descuidado o inadecuado puede causar lesiones graves e incluso mortales.

Asegúrese que su máquina esté equipada con el deflector, mango y arnés adecuados para el tipo de accesorio de corte que se está utilizando. Siempre protéjase adecuadamente los ojos.

# STIHL®

Este manual de instrucciones está protegido por derechos de propiedad intelectual. Todos los derechos reservados, especialmente los derechos de reproducción, traducción y procesamiento con sistemas electrónicos.

## Acerca de este manual de instrucciones

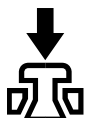
### Pictogramas

Todos los pictogramas que se encuentran fijados o grabados en la máquina se explican en este manual.

Según el modelo, los pictogramas siguientes pueden aparecer en su máquina.



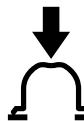
Tanque de combustible que contiene la mezcla de combustible y aceite



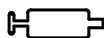
Presione para accionar la válvula de descompresión



Bomba de combustible manual



Presione para accionar la bomba manual de combustible



Orificio de llenado para lubricante de engranajes



Toma de aire para modo de verano



Toma de aire para modo de invierno



Calentador de manillar

### Símbolos en el texto

Muchas de las instrucciones de uso y seguridad vienen acompañadas de ilustraciones.

Los pasos individuales o procedimientos descritos en el manual pueden estar señalados en diferentes maneras:

- Se usa un punto para denotar un paso o procedimiento.

Una descripción de un paso o procedimiento que se refiere directamente a una ilustración puede contener números de referencia que aparecen en la ilustración. Ejemplo:

- Suelte el tornillo (1).
- Palanca (2) ...

Además de las instrucciones de uso, en este manual pueden encontrarse párrafos a los que usted debe prestar atención especial. Tales párrafos están marcados con los símbolos y las palabras identificadoras que se describen a continuación.

#### PELIGRO

Indica un riesgo inminente de lesiones graves o mortales.

#### ADVERTENCIA

Identifica una situación de peligro que, al no evitarse, puede resultar en lesiones graves o mortales.

### INDICACIÓN

Indica el riesgo de daños a la propiedad, incluyendo a la máquina o sus componentes.

### Mejoramientos técnicos

La filosofía de STIHL es mejorar continuamente todos sus productos. Como resultado de ello, periódicamente se introducen cambios de diseño y mejoras. Por lo tanto, es posible que algunos cambios, modificaciones y mejoras no se describen en este manual. Si las características de funcionamiento o la apariencia de su máquina difieren de las descritas en este manual, comuníquese con el concesionario STIHL para obtener la ayuda que requiera.

## Medidas de seguridad y técnicas de manejo



Dado que la orilladora / cortadora de matorrales es una herramienta de corte motorizada, con cuchillas afiladas, que funciona a gran velocidad, es necesario tomar medidas especiales de seguridad para reducir el riesgo de lesiones.



Es importante que usted lea, comprenda bien y respete las siguientes advertencias y medidas de seguridad. Lea el manual de instrucciones y las precauciones de seguridad periódicamente. El uso descuidado o inadecuado puede causar lesiones graves o incluso la muerte.

Los términos empleados en este manual para designar la herramienta motorizada variarán de acuerdo con los tipos de accesorios de corte instalados en la misma. La palabra "orilladora" se usa para identificar una unidad FS equipada con una cabeza de hilo de nilón o una cabeza con cuchillas de plástico flexibles (tal como la cabeza PolyCut). La designación "cortadora de matorrales" identifica una unidad equipada con una cuchilla de metal rígida. Muchos de los modelos FS pueden usarse como una orilladora o una cortadora de matorrales – por lo tanto, la herramienta motorizada se

designa aquí como una "orilladora / cortadora de matorrales". Algunos de los modelos FS pequeños y/o livianos sólo pueden usarse como orilladoras, es decir no pueden equiparse con cuchillas metálicas.

Los modelos FS con una "R" en la chapa de identificación se configuraron originalmente (en el momento de distribución) como una orilladora con un mango tórico.

### ADVERTENCIA

Tal como se explicará a continuación en estas Medidas de seguridad, para reducir el riesgo de lesiones personales, asegúrese que su máquina esté equipada con el mango, arnés y deflector adecuados para el tipo de accesorio de corte que se está utilizando. Utilice exclusivamente los accesorios de corte autorizados específicamente por STIHL para usar en su modelo FS.

Pida a su concesionario STIHL que le enseñe el manejo de la herramienta motorizada. Respete todas las disposiciones, reglamentos y normas de seguridad locales del caso.

### ADVERTENCIA

No preste ni alquile nunca su herramienta motorizada sin entregar el manual de instrucciones. Asegúrese de que todas las personas que utilicen la máquina hayan comprendido la información que contiene este manual.

### ADVERTENCIA

El uso de esta máquina puede ser peligroso. Si el hilo o la cuchilla giratoria llega a entrar en contacto con su cuerpo, le ocasionará una cortadura. Cuando choca con algún objeto extraño sólido tal como rocas o pedazos de metal, puede arrojarlo directamente o por rebote en dirección de personas que se encuentren en la cercanía o del operador. El contacto con dichos objetos puede dañar los accesorios de corte y puede hacer que las cuchillas se rompan, astillen o agrieten. Los objetos lanzados, incluso las cabezas o las cuchillas rotas, pueden provocar lesiones graves o mortales al operador o a personas que se encuentren en su proximidad.

STIHL no recomienda el uso de cuchillas rígidas en zonas pedregosas.

Use la orilladora / cortadora de matorrales equipada con el accesorio de corte apropiado únicamente para cortar pasto y materiales similares.

### ADVERTENCIA

No debe usarse para ningún otro propósito ya que el uso indebido puede resultar en lesiones personales o daños a la propiedad, incluso daños de la máquina.

### ADVERTENCIA

Nunca se debe permitir a los niños que usen esta herramienta motorizada. No se debe permitir la proximidad de otras personas, especialmente de niños, ni de animales en los lugares donde se esté utilizando la máquina.

## ADVERTENCIA

Para reducir el riesgo de ocasionar lesiones a las personas en la cercanía y daños a la propiedad, nunca deje la herramienta motorizada en marcha desatendida. Cuando no está en uso (por ejemplo durante el descanso), apáguela y asegúrese que las personas no autorizadas no puedan usarla.

Las medidas de seguridad y avisos contenidos en este manual se refieren al uso de todas las orilladoras / cortadoras de matorrales de STIHL. Los distintos modelos pueden contar con piezas y controles diferentes. Vea la sección correspondiente de su manual de instrucciones para tener una descripción de los controles y la función de los componentes de su modelo.

El uso seguro de una orilladora / cortadora de matorrales atañe a

1. el operador
2. la herramienta motorizada
3. el uso de la herramienta motorizada.

## **EL OPERADOR**

---

### **Condición física**

Usted debe estar en buenas condiciones físicas y psíquicas y no encontrarse bajo la influencia de ninguna sustancia (drogas, alcohol, etc.) que le pueda restar visibilidad, destreza o juicio. No maneje esta máquina cuando está fatigado.

## ADVERTENCIA

Esté alerta. Si se cansa, tómese un descanso. El cansancio puede provocar una pérdida del control. El uso de cualquier herramienta motorizada es fatigoso. Si usted padece de alguna dolencia que pueda ser agravada por la fatiga, consulte a su médico antes de utilizar esta máquina.

## ADVERTENCIA

El uso prolongado de una herramienta motorizada (u otras máquinas) expone al operador a vibraciones que pueden provocar el fenómeno de Raynaud (dedos blancos) o el síndrome del túnel carpiano.

Estas condiciones reducen la capacidad de las manos de sentir y regular la temperatura, producen entumecimiento y ardor y pueden provocar trastornos nerviosos y circulatorios, así como necrosis de los tejidos.

No se conocen todos los factores que contribuyen a la enfermedad de Raynaud, pero el clima frío, el fumar y las enfermedades o condiciones físicas que afectan los vasos sanguíneos y la circulación de la sangre, como asimismo los niveles altos de vibración y períodos prolongados de exposición a la vibración son mencionados como factores en el desarrollo de la

enfermedad de Raynaud. Por lo tanto, para reducir el riesgo de la enfermedad de dedos blancos y del síndrome del túnel carpiano, sírvase notar lo siguiente:

- La mayor parte de las herramientas motorizadas de STIHL se ofrecen con un sistema antivibración ("AV") cuyo propósito es reducir la transmisión de las vibraciones creadas por la máquina a las manos del operador. Se recomienda el uso del sistema AV a aquellas personas que utilizan herramientas motorizadas en forma constante y regular.
- Use guantes y mantenga las manos abrigadas.
- Mantenga el sistema AV en buen estado. Una herramienta motorizada con los componentes flojos o con elementos AV dañados o desgastados también tendrá tendencia a tener niveles más altos de vibración.
- Agarre firmemente los mangos en todo momento, pero no los apriete con fuerza constante y excesiva. Tómese descansos frecuentes.

Todas las precauciones antes mencionadas no le garantizan que va a estar totalmente protegido contra la enfermedad de Raynaud o el síndrome del túnel carpiano. Por lo tanto, los operadores constantes y regulares deben revisar con frecuencia el estado de sus manos y dedos. Si aparece alguno de los síntomas arriba mencionados, consulte inmediatamente al médico.

## ADVERTENCIA

El sistema de encendido de la máquina STIHL produce un campo electromagnético de intensidad muy baja. El mismo puede interferir con algunos tipos de marcapasos. Para reducir el riesgo de lesiones graves o mortales, las personas portadoras de marcapasos deben consultar a sus médicos y al fabricante del marcapasos antes de usar esta máquina.

### Vestimenta adecuada

## ADVERTENCIA

Para reducir el riesgo de lesiones el operador debe usar el equipo protector adecuado.

El deflector provisto con su herramienta motorizada no siempre protege al operador contra todos los objetos extraños (gravilla, vidrio, alambre, etc.) arrojados por el accesorio de corte giratorio. Los objetos arrojados o lanzados por el accesorio también pueden rebotar y golpear al operador.

## ADVERTENCIA



Para reducir el riesgo de lesionarse los ojos, nunca maneje la herramienta motorizada si no tiene puestas gafas o anteojos de seguridad bien ajustados con una protección adecuada en las partes superior y lateral que satisfagan la norma ANSI Z87 "+" (o la norma nacional correspondiente). Para reducir el riesgo de lesionarse la cara, STIHL recomienda usar también una careta o protector facial adecuado sobre las gafas o anteojos de seguridad.

Utilice un casco de seguridad aprobado para reducir el riesgo de lesionarse la cabeza en caso de existir tal tipo de peligro.

El ruido de la herramienta motorizada puede dañar los oídos. Siempre use amortiguadores del ruido (tapones u orejeras) para protegerse los oídos. Los usuarios constantes y regulares deben someterse con frecuencia a un examen o control auditivo.

Esté especialmente alerta y tenga cuidado cuando se usa protectores de oídos, ya que los mismos reducen la posibilidad de oír señales de advertencia (gritos, alarmas, etc.).



Siempre use guantes gruesos (por ejemplo, fabricados de cuero u otro material resistente al desgaste) cuando manipule la máquina y las cuchillas metálicas. Los guantes gruesos y antideslizantes mejoran el manejo y ayudan a proteger las manos.



La ropa debe ser de confección fuerte y ajustada, pero no tanto que impida la completa libertad de movimiento. Use pantalones largos hechos de un material grueso para protegerse las piernas. No use pantalones cortos, sandalias o pies descalzos.

Evite el uso de chaquetas sueltas, bufandas, corbatas, joyas, pantalones acampanados o con vueltas, pelo largo suelto o cualquier cosa que pueda engancharse en las ramas, matorrales o piezas en movimiento de la máquina. Sujétese el pelo de modo que quede sobre los hombros.



Es muy importante tener una buena superficie de apoyo para los pies. Póngase botas gruesas con suela antideslizante. Recomendamos las botas de seguridad con puntera de acero.

## LA HERRAMIENTA MOTORIZADA

Para las ilustraciones y definiciones de los componentes de la herramienta motorizada, vea el capítulo sobre "Piezas principales".

### ! ADVERTENCIA

Nunca modifique, de ninguna manera, esta herramienta motorizada. Utilice únicamente los accesorios y repuestos suministrados por STIHL y expresamente autorizados por STIHL para usarse con el modelo específico de STIHL. Si bien es posible conectar a la herramienta motorizada de STIHL ciertos accesorios no autorizados, su uso puede ser, en la práctica, extremadamente peligroso. Para los accesorios de corte autorizados por STIHL para su unidad, consulte el capítulo "Combinaciones aprobadas de accesorio de corte, deflector, mango y arnés", en el manual de instrucciones o en el catálogo STIHL "Accesorios de corte, piezas y accesorios".

Si la máquina experimenta cargas excesivas para las cuales no fue diseñada (por ejemplo, impactos severos o una caída), siempre asegúrese que esté en buenas condiciones antes de seguir con el trabajo. Inspeccione específicamente la

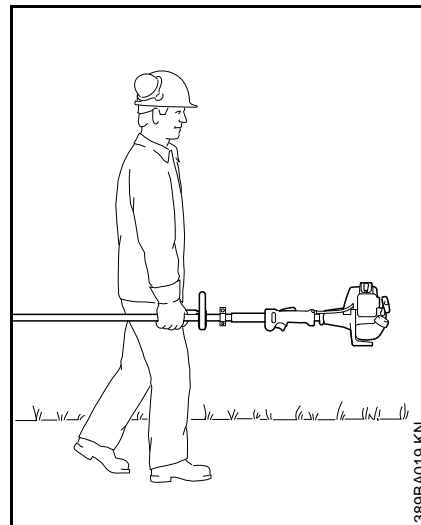
integridad del sistema de combustible (ausencia de fugas), y asegúrese de que los controles y dispositivos de seguridad funcionen como corresponde. No siga manejando esta máquina si está dañada. En caso de dudas, pida que el concesionario de servicio de STIHL la revise.

## USO DE LA HERRAMIENTA MOTORIZADA

### Transporte de la herramienta motorizada

### ! ADVERTENCIA

Para reducir el riesgo de sufrir lesiones debido a la pérdida de control y al contacto con las cuchillas o el hilo, nunca lleve ni transporte la herramienta motorizada con el accesorio de corte en marcha.



Puede acarrear solamente en posición horizontal. Agarre el eje de una manera que mantenga la máquina equilibrada horizontalmente. Mantenga el silenciador caliente lejos de su cuerpo y el accesorio de corte detrás de usted.

### ! ADVERTENCIA

Antes de apoyar la orilladora / cortadora de matorrales en el suelo, apague el motor y asegúrese de que el accesorio de corte ha dejado de girar. Cuando transporte la máquina en un vehículo, sujétela firmemente para impedir su vuelco, el derrame de combustible y el daño a la máquina. STIHL recomienda mantener las cuchillas metálicas cubiertas con el protector para el transporte (accesorio opcional).



## Combustible

La herramienta motorizada STIHL utiliza una mezcla de aceite-gasolina como combustible (vea el capítulo "Combustible" en el manual de instrucciones).

### ADVERTENCIA



La gasolina es un combustible muy inflamable. Si se derrama y arde a causa de una chispa u otra fuente de ignición, puede provocar un incendio y quemaduras graves o daños a la propiedad. Tenga sumo cuidado cuando manipule gasolina o la mezcla de combustible. No fume cerca del combustible o la herramienta motorizada, ni acerque ningún fuego o llama a ellos. Puede escapar vapor inflamable del sistema de combustible.

### Instrucciones para el llenado de combustible

### ADVERTENCIA

Para reducir el riesgo de lesiones graves causadas por quemaduras, nunca intente abastecer la máquina con combustible sin que el operador se haya despojado de la misma.

### ADVERTENCIA

Cargue de combustible su herramienta motorizada en lugares al aire libre bien ventilados. Siempre apague el motor y deje que se enfríe antes de llenar de combustible. Dependiendo del combustible utilizado, de las condiciones climáticas y del sistema de ventilación del depósito, es posible que se forme vapor de gasolina a presión dentro del depósito de combustible.

Para reducir el riesgo de quemaduras, así como otras lesiones corporales ocasionadas por los escapes de vapor de gasolina y otras emanaciones, quite la tapa de llenado de combustible de la herramienta motorizada cuidadosamente de modo que la presión que se pueda haber acumulado en el depósito se disipe lentamente. Nunca quite la tapa de llenado de combustible mientras el motor esté funcionando.

Elija una superficie despejada para llenar el depósito y aléjese 3 m (10 pies) por lo menos del lugar en que lo haya llenado antes de arrancar el motor. Limpie todo el combustible derramado antes de arrancar la máquina.

### ADVERTENCIA



Compruebe que no existan fugas de combustible mientras llena el depósito y durante el funcionamiento de la máquina. Si detecta alguna fuga de combustible, no arranque el motor ni lo haga funcionar sin antes reparar la fuga y limpiar el combustible derramado. Tenga cuidado de no mancharse la ropa con combustible. Si la mancha, cámbiesela inmediatamente.

### ADVERTENCIA

Para reducir el riesgo de derramar combustible y provocar un incendio debido a una tapa de combustible mal apretada, coloque la tapa en la posición correcta y apriétela en la boca de llenado del tanque.

### ADVERTENCIA



Las vibraciones de la máquina pueden aflojar una tapa de combustible que ha quedado mal apretada, o simplemente soltarla y derramar combustible. Para reducir el riesgo de derrames e incendio, apriete la tapa de llenado de combustible a mano tan firmemente como sea posible.

Consulte también el capítulo "Combustible" del Manual de instrucciones para obtener información adicional.

#### Antes de arrancar

#### ADVERTENCIA

Siempre revise la herramienta motorizada para comprobar que está en buenas condiciones y que funciona correctamente antes de arrancarla, en particular el gatillo de aceleración, el bloqueo de gatillo de aceleración, el interruptor de parada, el accesorio de corte, el deflector y el arnés. El gatillo de aceleración debe moverse libremente y siempre debe regresar a la posición de marcha en vacío por la acción de resorte. Nunca intente modificar los controles o los dispositivos de seguridad.

#### ADVERTENCIA

Revise el sistema de combustible en busca de fugas, especialmente las partes visibles, por ejemplo, la tapa de llenado, conexiones de mangueras y la bomba de combustible manual (únicamente para herramientas motorizadas equipadas con una bomba de combustible de mano). No arranque el motor si se observan fugas o daños – ¡Riesgo de incendios! Solicite al concesionario que repare la máquina antes de usarla.

#### ADVERTENCIA

No maneje nunca una herramienta motorizada que esté dañada, mal ajustada o mantenida o que no fue armada completa y debidamente.

#### ADVERTENCIA

No instale ningún accesorio de corte en una máquina sin que todas las piezas requeridas estén correctamente instaladas. Si no se utilizan las piezas debidas se puede causar el desprendimiento de la cuchilla o la cabeza y lesionar gravemente al operador o a las personas que encuentren en su proximidad.

#### ADVERTENCIA

El accesorio de corte debe estar correctamente apretado y en buenas condiciones de trabajo. Busque piezas sueltas (tuercas, tornillos, etc.) y cabeza agrietada o dañada, o cuchillas agrietadas, combadas, deformadas o dañadas. Sustituya las cabezas o las cuchillas dañadas antes de usar la herramienta motorizada. Mantenga las cuchillas siempre afiladas.

Mantenga los mangos limpios y secos en todo momento; es particularmente importante mantenerlos libres de humedad, aceite, combustible, grasa o resinas para garantizar que la máquina pueda empuñarse firmemente para mantenerla bajo control seguro.

#### ADVERTENCIA

Asegúrese de que el casquillo de la bujía esté firmemente colocado – un casquillo suelto puede crear un arco voltaico y encender los vapores del combustible, provocando un incendio.

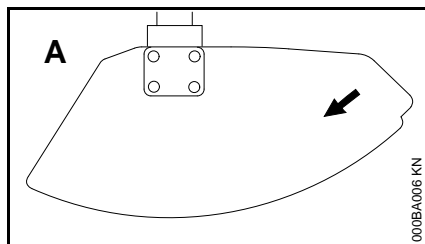
#### ADVERTENCIA



Para reducir el riesgo de sufrir lesiones corporales debido a la pérdida de control y/o al contacto con la cuchilla o el hilo y los objetos arrojados, asegúrese que su máquina está equipada con el deflector, mango y arnés correctos para el tipo de accesorio de corte que está usando (vea la tabla en el capítulo "Combinaciones aprobadas de accesorio de corte, deflector, mango y arnés").

Tal como se puede ver en la tabla, para usar algunos de los accesorios de corte puede ser necesario cambiar el deflector, el mango y/o el arnés.

Mantenga siempre el deflector (y la faldilla en su caso) bien ajustado (vea en su manual de instrucciones los capítulos de "Montaje del deflector" y "Montaje del accesorio de corte").



Las flechas mostradas en la ilustración (A) (vista de abajo) muestran el sentido correcto de rotación del accesorio de corte (sentido horario). No obstante, cuando se observa desde arriba, el accesorio de corte gira en sentido contrario (vea la flecha grabada en la parte superior del deflector).

Algunos de los siguientes símbolos pueden aparecer grabados en el exterior del deflector para indicar una combinación aprobada de accesorio de corte y deflector.



El deflector puede usarse en conjunto con las cabezas segadoras.



El deflector puede usarse en conjunto con las cuchillas para cortar pasto.



El deflector puede usarse en conjunto con las cuchillas para matorrales.



El deflector no debe usarse en conjunto con las cabezas segadoras.



El deflector no debe usarse en conjunto con las cuchillas para cortar pasto.



El deflector no debe usarse en conjunto con las cuchillas para matorrales.



El deflector no debe usarse en conjunto con las sierras circulares.



El deflector no debe usarse en conjunto con cuchillas para matorrales o sierras circulares.



El deflector no debe usarse en conjunto con cuchillas para pasto, cuchillas para matorrales o sierras circulares.

Ajuste el arnés y la empuñadura de modo correspondiente a su estatura antes de empezar a trabajar. La máquina debe estar correctamente equilibrada de la forma especificada en el manual de instrucciones para un control correcto y menos fatiga de

trabajo. Para prepararse para emergencias, practique la liberación rápida de la unidad del arnés.

## Arranque

### ADVERTENCIA

Arranque el motor solamente al aire libre, por lo menos 3 m (10 pies) del lugar en que lo haya llenado.

Para las instrucciones específicas de arranque, vea la sección correspondiente en el manual del usuario. Coloque la herramienta motorizada sobre suelo firme u otra superficie sólida en un lugar abierto. Mantenga el equilibrio y elija un buen punto de apoyo para los pies.

### ADVERTENCIA

Para reducir el riesgo de lesiones debido al contacto con las cuchillas o el hilo, esté absolutamente seguro que el accesorio de corte se encuentra lejos de su cuerpo y de todas las obstrucciones y objetos, incluido el suelo, porque al arrancar el motor, su velocidad será lo suficientemente rápida para que el embrague se engrane y haga girar el accesorio de corte.

Tan pronto arranque, accione inmediatamente por un breve momento el gatillo de aceleración para desconectarlo de la posición de arranque y permitir que el motor se desacelere a la marcha en vacío.

Con el motor funcionando a marcha en vacío solamente, enganche la herramienta motorizada al gancho de resorte de su arnés (vea el capítulo correspondiente en este manual).

### **! ADVERTENCIA**

Su herramienta motorizada es una máquina que debe ser manejada por solamente una persona. No deje que otras personas estén en el lugar de trabajo, aun durante el arranque.

### **! ADVERTENCIA**

Para reducir el riesgo de sufrir lesiones causadas por la pérdida de control, no intente arrancar el motor de la herramienta "por lanzamiento".

### **! ADVERTENCIA**

Cuando tire del mango de arranque, no enrolle la cuerda de arranque alrededor de la mano. No deje que el mango retroceda bruscamente, sino guíe la cuerda de arranque para que se enrolle debidamente. Si no ejecuta este procedimiento puede lastimarse la mano o los dedos y también dañar el mecanismo de arranque.

### **Ajustes importantes**

### **! ADVERTENCIA**

Para reducir el riesgo de lesiones personales debido a la pérdida de control o al contacto con el accesorio de corte en movimiento, no use una máquina cuyo régimen de marcha en vacío está mal regulado. Cuando el régimen de marcha en vacío está correctamente regulado, el accesorio de corte no debe moverse. Para instrucciones acerca de cómo ajustar el régimen de marcha en vacío, vea la sección correspondiente del manual de instrucciones.

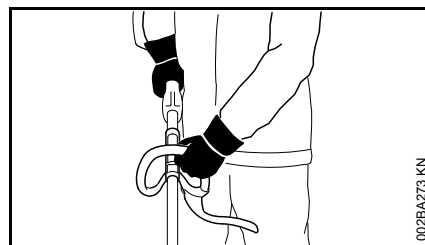
Si no puede regular correctamente la marcha en vacío, pida a su concesionario STIHL que revise la herramienta motorizada y haga los ajustes o reparaciones correspondientes.

### **! ADVERTENCIA**

Esta unidad tiene un sistema de encendido que normalmente está listo para usar en todo momento. Después de usar el interruptor de parada para detener el motor, el mismo regresa automáticamente a la posición "activada". Si el motor está caliente, puede ser posible arrancarlo tirando de la cuerda de arranque sin ajustes adicionales. Para evitar el riesgo de lesiones, tenga sumo cuidado y mantenga alejados a los niños de la máquina.

### **Durante el funcionamiento**

### **Sujeción y control de la herramienta motorizada**



Al trabajar, siempre sujete la máquina firmemente con ambas manos en los mangos. Cierre firmemente los dedos y pulgares sobre los mangos.

### **! ADVERTENCIA**

Para reducir el riesgo de lesiones causadas por la pérdida del control, nunca trabaje sobre una escalera o cualquier otra superficie de soporte poco seguro. Nunca mantenga el accesorio de corte a una altura más arriba de la cintura.

### **! ADVERTENCIA**



Nunca intente manejar la herramienta motorizada con una sola mano. La pérdida de control de la herramienta motorizada puede ocasionar lesiones graves o mortales. Para reducir el riesgo de lesionarse, mantenga las manos y los pies alejados del accesorio de corte. No toque nunca con las manos ni con cualquier parte del cuerpo un accesorio de corte en movimiento.

### **! ADVERTENCIA**

No trate de alcanzar más lejos de lo debido. Mantenga los pies bien apoyados y equilibrados en todo momento. Se debe tener cuidado especial cuando las condiciones del suelo son resbaladizas (suelo húmedo, nieve) y en terreno difícil y con mucha vegetación. Para evitar tropezarse, esté atento a los obstáculos ocultos tales como tocones, raíces y zanjas. Para obtener un punto de apoyo seguro, quite

los matorrales y el material cortado. Sea sumamente precavido cuando trabaje en declives o terreno irregular.

### Condiciones de trabajo

Maneje y arranque su herramienta motorizada solamente al aire libre en un lugar bien ventilado. Manéjela solamente en condiciones de buena visibilidad y a la luz del día. Trabaje con mucho cuidado.

#### ADVERTENCIA



Tan pronto arranca, este producto genera vapores de escape tóxicos que contienen productos químicos (tales como hidrocarburos sin quemar y monóxido del carbono, incluyendo el benceno) considerados como causantes de enfermedades respiratorias, cáncer, defectos de nacimiento u otra toxicidad reproductora. Algunos de estos gases (por ej., monóxido de carbono) pueden ser incoloros e inodoros. Para reducir el riesgo de sufrir lesiones graves o mortales por respirar gases tóxicos, nunca haga funcionar la máquina puertas adentro o en lugares mal ventilados.

#### ADVERTENCIA

Si la vegetación que se está cortando o la tierra en el lugar está recubierta de una sustancia química (tal como un pesticida o herbicida activo), lea y siga las instrucciones suministradas con la sustancia en cuestión.

#### ADVERTENCIA

La inhalación de ciertos polvos, especialmente los polvos orgánicos, tales como el moho o polen, puede provocar reacciones alérgicas o asmáticas en las personas sensibles. La inhalación repetida o de grandes cantidades de polvo u otros contaminantes del aire, especialmente los de partículas pequeñas puede causar enfermedades respiratorias o de otro tipo. Controle el polvo en su fuente, siempre que sea posible. Utilice buenas prácticas de trabajo, tal como trabajar de manera que el viento o el proceso de corte dirija el polvo producido por la herramienta motorizada en sentido opuesto del operador. Observe las recomendaciones emitidas por EPA/OSHA/NIOSH y las asociaciones de trabajo y los sindicatos con respecto al polvo ("materia particulada"). Cuando sea imposible eliminar significativamente la inhalación del polvo, es decir mantener el nivel cerca del valor ambiente, el operador y las personas que se encuentren en la cercanía siempre deberán usar un respirador aprobado por NIOSH/MSHA para el tipo de polvo presente en el lugar.

### Instrucciones de manejo

#### ADVERTENCIA

No maneje la herramienta motorizada usando el bloqueo de acelerador para arranque, pues no tendrá control de la velocidad del motor.

En caso de emergencia, apague el motor inmediatamente – mueva el interruptor de parada a 0 o **STOP**

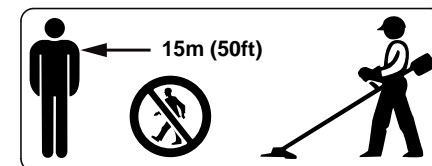
#### ADVERTENCIA



El accesorio de corte sigue girando por un rato después que se suelta el gatillo de aceleración (efecto de volante).

#### ADVERTENCIA

El accesorio de corte giratorio puede arrojar objetos extraños a gran distancia directa o indirectamente.



Para reducir el riesgo de ocasionar lesiones a los ojos u otras partes del cuerpo (vea el capítulo "Vestimenta adecuada"), asegúrese que las personas estén a por lo menos 15 m (50 pies) de distancia de la máquina. Para reducir el riesgo de ocasionar daños a la propiedad, mantenga esta distancia con respecto a los vehículos y las ventanas. Aun si se mantiene una distancia mínima de 15 metros, esto no

elimina todos los peligros potenciales. Los trabajadores que deben quedar en la zona prohibida también deben usar gafas o protección ocular. Apague el motor inmediatamente si se le aproxima alguna persona.

**! ADVERTENCIA**



Revise la zona de trabajo: Para reducir el riesgo de lesionarse, retire las piedras, piezas metálicas y otros objetos sólidos que pudieran ser lanzados a una distancia de 15 metros o más por el accesorio de corte, o que pudieran dañar el accesorio de corte y la propiedad (por ejemplo: vehículos estacionados, ventanas)



**! ADVERTENCIA**

La orilladora / cortadora de matorrales normalmente se usa a nivel del suelo con el accesorio de corte paralelo al suelo. El uso de la orilladora / cortadora de matorrales sobre el nivel del suelo o con el accesorio de corte perpendicular al suelo puede incrementar el riesgo de lesiones, dado que el accesorio de corte queda casi totalmente expuesto y la herramienta motorizada es más difícil de controlar.

**! ADVERTENCIA**

Durante el corte, revise frecuentemente el apriete y la condición del accesorio de corte en intervalos regulares con el motor y el accesorio parados. Si nota un

cambio en el comportamiento del accesorio durante el trabajo, apague el motor inmediatamente, espere hasta que se pare el accesorio de corte y revise el apriete de la tuerca que sujeta el accesorio y revise la cuchilla o la cabeza en busca de grietas, desgaste y daños.

**! ADVERTENCIA**

Una cuchilla o una cabeza suelta puede vibrar, agrietarse, romperse o salirse de la orilladora / cortadora de matorrales, lo que puede provocar lesiones graves o mortales. Asegúrese que el accesorio de corte esté correctamente apretado. Utilice la llave suministrada o cualquier otra que tenga el largo adecuado para obtener el par de apriete adecuado. Si la cuchilla o la cabeza se suelta después de haberla apretado correctamente, deje de usar la máquina inmediatamente. La tuerca de retención puede estar desgastada o dañada y debe ser sustituida. Si la cuchilla o la cabeza continúa aflojándose, consulte al concesionario STIHL. No use nunca una orilladora / cortadora de matorrales con un accesorio de corte suelto.

**! ADVERTENCIA**

Sustituya inmediatamente una cabeza trizada, dañada o desgastada o una cuchilla trizada, combada, deformada, dañada, desafilada o desgastada, incluso si solamente hay rayas superficiales. Los accesorios en esa condición pueden romperse a velocidad alta y causar lesiones graves o mortales.

**! ADVERTENCIA**

Cuando utilice cuchillas rígidas, evite cortar cerca de vallas, edificios, tocones, piedras u otros objetos de ese tipo que puedan causar contragolpe de la herramienta motorizada o daños a la cuchilla. Para ese tipo de trabajo, STIHL recomienda el uso de cabezas con hilo de nilón. Además, tenga en cuenta que en estos casos aumenta la posibilidad de que ocurran rebotes.

**! ADVERTENCIA**

Si la cuchilla metálica en movimiento choca contra una roca u otro objeto macizo, se podrían despedir chispas capaces de encender materiales inflamables en determinadas circunstancias. Entre los materiales inflamables se incluyen la vegetación y arbustos secos, en particular cuando el estado del tiempo es caliente y seco. Si existe un riesgo de incendio leve o grave, no use cuchillas metálicas alrededor de materiales inflamables, ni para cortar vegetación o arbustos secos. Comuníquese con las autoridades locales de control de incendios o con el servicio forestal de los EE.UU. si tiene alguna duda en cuanto a las condiciones de la vegetación y el estado del tiempo para el uso de una cuchilla metálica.

**! ADVERTENCIA**

Si la cabeza, la cuchilla o el deflector se atasca o queda pegado, siempre apague el motor y asegúrese que el accesorio de corte está detenido antes



de limpiarlo. Quite el pasto, las malezas, etc. de la cuchilla o de alrededor de la cabeza en intervalos regulares.

### ADVERTENCIA

Para reducir el riesgo de la rotación inesperada del accesorio de corte y la posibilidad de sufrir lesiones, siempre apague el motor y quite el casquillo de la bujía antes de sustituir el accesorio de corte. Para reducir el riesgo de sufrir lesiones, siempre apague el motor antes de ajustar el largo del hilo de nilón en las cabezas segadoras de ajuste manual.

### ADVERTENCIA

No tire de la cuerda de arranque con el la bujía o su casquillo retirados, ya que el interruptor de encendido normalmente se encuentra en la posición activada y existe el riesgo de causar un incendio por las chispas no controladas.

### ADVERTENCIA

La caja de engranajes está caliente durante el funcionamiento de la máquina. Para reducir el riesgo de lesiones por quemaduras, no toque la caja de engranajes cuando está caliente.

### ADVERTENCIA

Nunca modifique el silenciador. La modificación del silenciador podría causar el aumento del calor irradiado, de las chispas y del nivel de ruido, lo que aumentará el riesgo de incendios, lesiones por quemadura o la pérdida auditiva. Además, se podría dañar

permanentemente el motor. Haga reparar el silenciador únicamente por el concesionario de servicio STIHL.

### ADVERTENCIA

El silenciador y otros componentes del motor (por ej., aletas del cilindro, bujía) se calientan durante el funcionamiento y permanecen calientes por un buen rato después de apagar el motor. Para reducir el riesgo de quemaduras, no toque el silenciador ni los otros componentes mientras están calientes. Mantenga limpia la zona alrededor del silenciador. Quite el lubricante excesivo y toda la basura tal como las agujas de pinos, ramas u hojas. Deje que el motor se enfríe apoyado sobre una superficie de hormigón, metal, suelo raso o madera maciza, lejos de sustancias combustibles tales como arbustos secos, pasto o astillas de madera.

### ADVERTENCIA

Una caja de cilindro dañada o mal instalada, o una envuelta del silenciador dañada o deformada, puede perjudicar el proceso de enfriamiento del silenciador. Para reducir el riesgo de incendio o lesiones por quemadura, no continúe trabajando con una caja de cilindro dañada o mal instalada, o una envuelta del silenciador dañada o deformada.

El silenciador tiene un chispero diseñado para reducir el riesgo de incendio debido a la emisión de partículas calientes. Nunca haga funcionar la unidad sin tener instalado el chispero. Si la mezcla de gasolina y aceite está correcta (no es demasiado rica), en condiciones normales el

chispero quedará limpio como resultado del calor del silenciador y no necesitará servicio ni mantenimiento. Si el rendimiento de su máquina comienza a disminuir y sospecha que las rejillas están obstruidas, haga reparar el silenciador por un concesionario de servicio STIHL. Para ciertas aplicaciones, las leyes o los reglamentos estatales o federales pueden requerir el uso de un chispero en buenas condiciones. Consulte la sección "Mantenimiento, Reparación y Almacenamiento" de estas Medidas de seguridad. Recuerde que el riesgo de incendios de matorrales o forestales es mayor durante las estaciones calurosas y secas.

## USO DEL ACCESORIO DE CORTE

Para una ilustración de los diversos accesorios de corte y las instrucciones sobre el montaje correcto, vea el capítulo sobre "Montaje del accesorio de corte" en su manual de instrucciones.

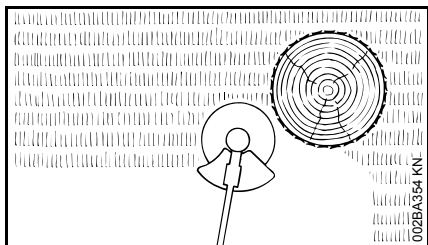
### ADVERTENCIA

Para reducir el riesgo de lesiones personales o la muerte debido al contacto con las cuchillas y/o a la pérdida de control, nunca intente usar una cuchilla metálica en una máquina modelo FS no aprobada para esta aplicación.

### Uso de las cabezas segadoras

No use con un hilo de segado más largo que el deseado. Con un deflector debidamente instalado, la cuchilla limitadora integral automáticamente ajusta el hilo al largo adecuado.

Al usar la máquina con un hilo de nilón de largo excesivo se aumenta la carga del motor y se reduce la velocidad de funcionamiento. Esto hace que el embrague patine continuamente y resulta en sobrecalentamiento y daño de los componentes importantes (por ejemplo, el embrague y las piezas de polímero de la caja). Un efecto de este tipo de daño puede ser la rotación del accesorio de corte cuando el motor está a la velocidad de marcha en vacío.



Las cabezas segadoras deben usarse solamente en las orilladoras / cortadoras de matorrales con una cuchilla limitadora del hilo en el deflector para mantener el hilo al largo correcto (vea el capítulo "Piezas principales" en el manual de instrucciones).

Si las orillas del césped tienen árboles o están bordeadas por un cerco, etc., es mejor usar la cabeza de hilo de nilón. Deja un corte más "suave" con menos riesgo de dañar la corteza de los árboles, etc., que si se usan cuchillas de polímero.

Sin embargo, la cabeza PolyCut de STIHL con cuchilla de polímero produce un mejor corte si no hay plantas a lo largo de la orilla del césped. No es necesario afilar y las cuchillas de polímero desgastadas se pueden cambiar fácilmente.

### **! ADVERTENCIA**

Para reducir el riesgo de lesiones graves, nunca use un hilo de alambre o reforzado con metal ni ningún otro material en lugar de los hilos de corte de nilón. Es posible que unos pedazos de alambre sean desprendidos y arrojados a gran velocidad contra el operador o terceros.

#### **Cabeza segadora SuperCut de STIHL**

El hilo se avanza automáticamente. Los hilos deshilachados se reemplazan con un ajuste sencillo (consulte la hoja de instrucciones provista con la cabeza segadora).

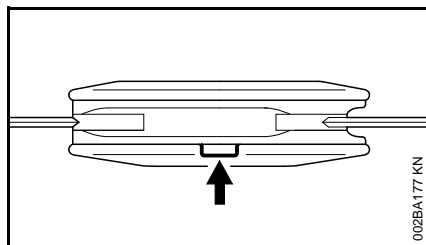
#### **Cabeza segadora AutoCut de STIHL**

El hilo de corte de nilón avanza automáticamente cuando se le golpea contra el suelo (característica TapAction).

#### **Cabeza segadora TrimCut de STIHL**

Los hilos deshilachados se reemplazan con un ajuste sencillo (consulte la hoja de instrucciones provista con la cabeza segadora).

#### **Cabeza segadora PolyCut de STIHL**



Utiliza ya sea hilos de nilón o cuchillas de polímero pivotantes no rígidas.

**Observe los indicadores de desgaste.**

### **! ADVERTENCIA**

En la base (periferia) de la PolyCut hay tres marcas rectangulares de límite de desgaste. Para reducir el riesgo de lesiones graves causadas por la rotura de la cabeza o de las cuchillas, la PolyCut no debe ser utilizada cuando se ha desgastado hasta una de estas marcas. Es importante seguir las instrucciones para el mantenimiento suministradas con la cabeza segadora.

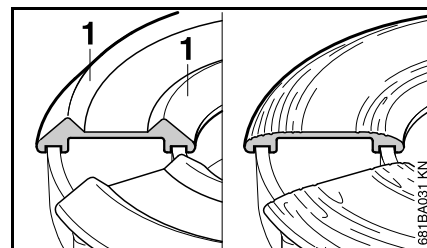
### **! ADVERTENCIA**

Para reducir el riesgo de lesiones causadas por la rotura de la cuchilla, evite el contacto con las piedras, el metal u otros objetos sólidos. Revise la condición de las cuchillas PolyCut en intervalos regulares. Siempre sustituya todas las cuchillas si se encuentra una fisura en una cuchilla.

#### **Cabeza segadora FixCut de STIHL**

Utiliza tramos de largo fijo del hilo de nilón.

**Observe los indicadores de desgaste.**

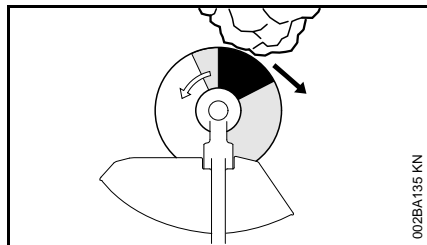


No siga trabajando con la cabeza segadora si le faltan las piezas moldeadas (1) elevadas en la base o si las mismas están desgastadas - vea la ilustración arriba a la derecha. En este



caso, la cabeza segadora puede astillarse y los objetos lanzados pueden ocasionar lesiones al operador o a las personas que se encuentren en la cercanía. Instale una cabeza segadora nueva.

**El riesgo de expulsión (disparo de la cuchilla) existe con todas las cuchillas rígidas**



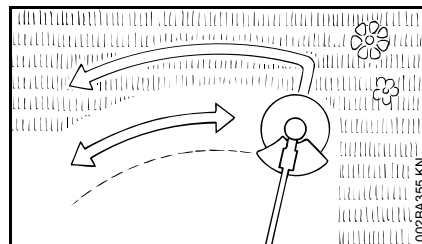
### **! ADVERTENCIA**



La expulsión (disparo de la cuchilla) es el movimiento repentino y no controlado hacia el lado derecho o posterior del operador que puede suceder cuando la zona sombreada (especialmente la zona muy oscura) de la cuchilla giratoria entra en contacto con un objeto macizo tal como un árbol, roca, arbusto o pared. La rápida rotación en sentido contrahorario puede ser detenida o aminorada y el accesorio de corte puede salir despedido hacia la derecha o detrás.

Esta expulsión (disparo de la cuchilla) puede ocasionar la pérdida de control de la herramienta motorizada y provocar lesiones graves o mortales al usuario o a personas en su proximidad. Para reducir el riesgo, es necesario extremar las precauciones a la hora de cortar con la zona sombreada de cualquier cuchilla rígida.

### Uso de la cuchilla de cortar pasto



Todos los tipos de pasto y malezas se pueden cortar fácilmente con la cuchilla de cortar pasto. Para ello, la herramienta motorizada se mueve en forma de arco, como si fuera una guadaña.

### **! ADVERTENCIA**

Para reducir el riesgo de lesiones graves o mortales debido a la rotura de la cuchilla, no intente nunca cortar madera con esta cuchilla.

La función de la cuchilla de 4 dientes para pasto es la de cortar pasto y malezas. Tiene 4 cuchillos con filo en los dos lados, esto es, en las partes delantera y trasera. Cuando los bordes cortantes en un lado se desafilan, es posible invertir la cuchilla para usar los bordes cortantes en el otro lado.

Recomendamos la cuchilla de 8 dientes para pasto para los casos en que haya que cortar helechos o cañas.

Los dos tipos de cuchillas para cortar pasto deben ser afiladas al desgastarse sus filos o bordes cortantes.

### **MANTENIMIENTO, REPARACIÓN Y ALMACENAMIENTO**

Los trabajos de mantenimiento, reemplazo o reparación de los dispositivos y sistemas de control de emisiones de escape pueden ser realizados por cualquier taller o técnico de motores no diseñados para vehículos. Sin embargo, si usted está reclamando cobertura de garantía para algún componente que no ha sido reparado o mantenido debidamente, o cuando se utilizan repuestos no autorizados, STIHL puede denegar la garantía.

### **! ADVERTENCIA**

Utilice solamente las piezas de repuesto idénticas de STIHL para el mantenimiento y la reparación. El uso de piezas no fabricadas por STIHL puede causar lesiones graves o mortales.

Siga precisamente las instrucciones de mantenimiento y reparación dadas en las secciones correspondientes del manual de instrucciones.

### **! ADVERTENCIA**

Siempre apague el motor y verifique que el accesorio de corte está parado antes de llevar a cabo cualquier trabajo de mantenimiento, reparación o limpieza

de la herramienta motorizada. No intente hacer ningún trabajo de mantenimiento o reparación que no esté descrito en su manual de instrucciones. Este tipo de trabajo debe ser realizado únicamente por el concesionario de servicio de STIHL.

Use guantes para manipular o reparar las cuchillas.

### **ADVERTENCIA**

Use la bujía especificada y asegúrese de que ella y el cable de encendido están limpios y en buen estado. Siempre inserte el casquillo de la bujía bien apretado en el borne de la bujía del tamaño adecuado. (Nota: Si el borne tiene una tuerca adaptadora SAE desmontable, tiene que ser firmemente instalada.) Una conexión suelta entre la bujía y el conector del cable de encendido en el casquillo puede crear un arco voltaico y encender los vapores del combustible y provocar un incendio.

### **ADVERTENCIA**

Nunca pruebe el sistema de encendido por medio de tirar de la cuerda de arranque con el casquillo de la bujía desconectado de ésta, o con la bujía retirada, puesto que el encendido normalmente está en posición activada y existe el riesgo de despedir chispas sin control que pudieran causar un incendio.

### **ADVERTENCIA**

Nunca maneje su herramienta motorizada si el silenciador está dañado, se ha perdido o si fue modificado. Un silenciador mal cuidado

incrementa el riesgo de incendio y puede causar pérdida de audición. El silenciador está equipado con un chispero para reducir el riesgo de incendio; no maneje nunca su herramienta motorizada si le falta el chispero o está dañado. Recuerde que el riesgo de incendios de matorrales o forestales es mayor durante las estaciones calurosas y secas.

En California, constituiría una violación de los acápites § 4442 o § 4443 del Código de Recursos Públicos el uso de herramientas con motor de gasolina en tierras cubiertas por bosques, arbustos o pastos, a menos que el sistema de escape del motor cuente con un chispero que satisfaga los requisitos legales y reciba un mantenimiento adecuado para estar en buenas condiciones de funcionamiento. El propietario/operador de este producto es responsable del mantenimiento adecuado del chispero. Otras entidades/agencias estatales o gubernamentales, tales como el Servicio Forestal de los EE.UU., pueden tener requisitos similares. Comuníquese con el cuerpo de bomberos de su localidad o con el servicio forestal para informarse en cuanto a las leyes y reglamentos relacionados con los requisitos de protección contra incendios.

### **ADVERTENCIA**

Nunca repare los accesorios de corte dañados aplicándoles soldadura, enderezándolos o modificándolos su forma. Esto puede causar el desprendimiento de alguna pieza del accesorio de corte y producir lesiones graves o mortales.

Mantenga las cuchillas afiladas. Apriete todas las tuercas, pernos y tornillos, excepto los tornillos de ajuste del carburador, después de cada uso.

No limpie la máquina con una lavadora a presión. El chorro fuerte de agua puede dañar las piezas de la máquina.

Guarde la herramienta motorizada en un lugar seco y elevado o con llave lejos del alcance de los niños.

Antes de guardar la máquina durante un período de más de algunos días, siempre vacíe el tanque de combustible. Consulte el capítulo "Almacenamiento de la máquina" en el manual de instrucciones.

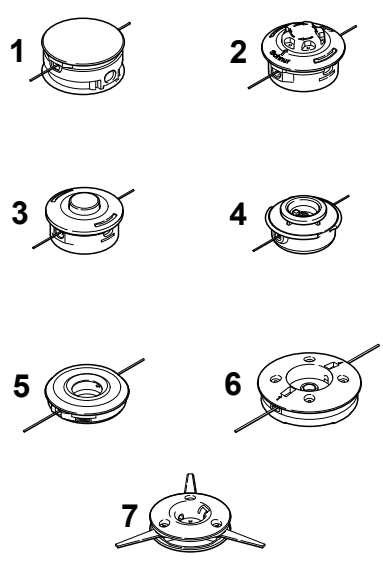
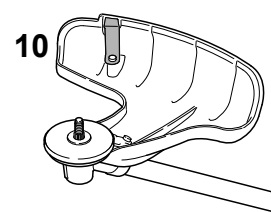
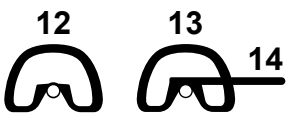
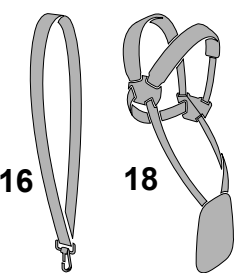
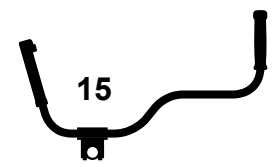
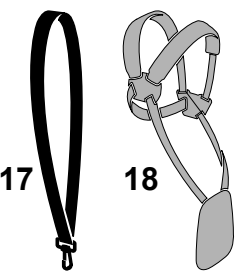

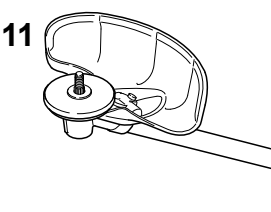
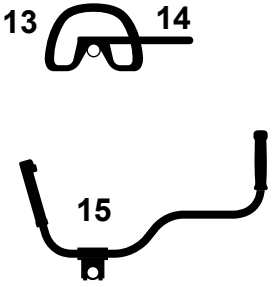
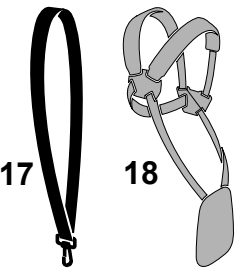
## Combinaciones aprobadas de accesorio de corte, deflector, mango y arnés

Accesorio de corte

Deflector

Mango

Correa para el hombro/arnés

 <p>1, 2, 3, 4, 5, 6, 7</p>	 <p>10</p>	 <p>12, 13, 14</p>	 <p>16, 18</p>
		 <p>15</p>	 <p>17, 18</p>
 <p>8, 9</p>	 <p>11</p>	 <p>13, 14, 15</p>	 <p>17, 18</p>

661BA284 KN

## Combinaciones aprobadas

La combinación completa consta de:

- Accesorio de corte
- Deflector
- Mango
- Correa para el hombro/arnés

Seleccione la combinación correcta de la tabla según el accesorio de corte que se desee utilizar.



### **ADVERTENCIA**

Por razones de seguridad, solamente los accesorios de corte, los deflectores, los mangos y arneses indicados en cada hilera de la tabla pueden ser utilizados juntos. No está permitida ninguna otra combinación debido al **riesgo de que ocurran accidentes**.

## Accesorios de corte

### **Cabezas segadoras**

- 1 STIHL SuperCut 20-2
- 2 STIHL AutoCut C 25-2
- 3 STIHL AutoCut 25-2
- 4 STIHL TrimCut 31-2
- 5 STIHL FixCut 25-2
- 6 STIHL DuroCut 20-2
- 7 STIHL PolyCut 20-3

### **Accesorios de corte metálicos**

- 8 Cuchilla para pasto 230-4 (Ø 230 mm)
- 9 Cuchilla para pasto 230-8 (Ø 230 mm)



### **ADVERTENCIA**

Las cuchillas para pasto no metálicas no son aprobadas.

## Deflectores

- 10 Deflector con cuchilla para cabezas segadoras
- 11 Deflector para accesorios de corte metálicos

## Mangos

- 12 Mango tórico
- 13 Mango tórico con
- 14 barra de defensa
- 15 Manillar tipo bicicleta

## Correa para el hombro/arnés

- 16 Se puede usar la correa para el hombro
- 17 Es obligatorio usar la correa para el hombro
- 18 Se puede usar el arnés completo



### **ADVERTENCIA**

Basado en el accesorio de corte en uso:

Seleccione un deflector adecuado para reducir el riesgo de lesiones causadas por los objetos lanzados y por el contacto con el accesorio de corte.

Para reducir el riesgo de sufrir lesiones debido a la pérdida de control y al contacto con el accesorio de corte, asegúrese que su máquina está equipada con el mango y arnés correctos: Utilice cuchillas metálicas

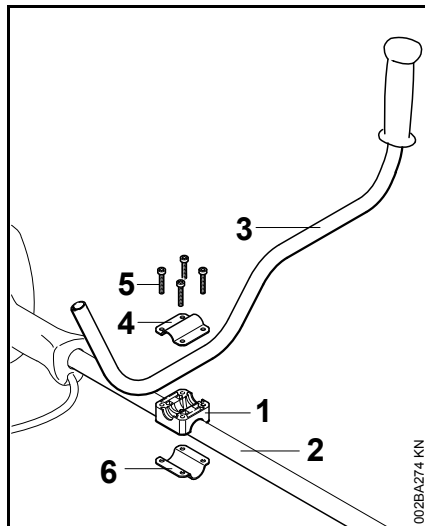
para pasto solamente si la máquina está equipada con un manillar o un mango tórico con una barra de defensa.

No utilice cuchillas de plástico rígidas, cuchillas para cortar matorrales ni sierras circulares en esta máquina.

## Montaje del manillar

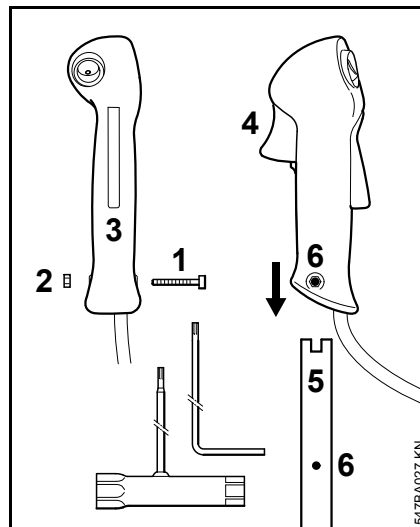
### Montaje del manillar

Monte el manillar en el tubo de mando, aproximadamente 10 cm (4 pulg) delante de la caja del motor.



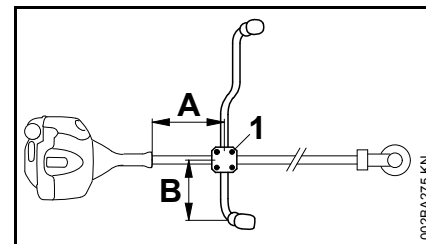
- Coloque el soporte del manillar (1) en el tubo de mando (2).
- Coloque el manillar (3) en el soporte del manillar.
- Coloque la abrazadera (4) en el soporte del manillar. Introduzca los tornillos (5) a través de los agujeros en las piezas y atorníllelos hasta fondo en la abrazadera (6) – sólo apriételos moderadamente en este momento.

### Montaje del mango de control



- Saque el tornillo (1) – la tuerca (2) queda en el mango de control (3).
- Empuje el mango de control en manillar (5) hasta que se alineen los agujeros (6) – el gatillo de aceleración (4) debe apuntar hacia la caja de engranajes.
- Inserte el tornillo (1) y apriételo bien firme.

### Alineación y fijación del manillar

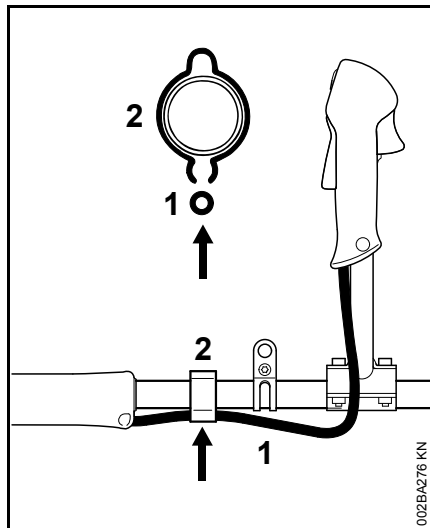


- Alinee el manillar para que la distancia (A) sea de aprox. 20 cm (8 pulg) y la distancia (B) sea de aprox. 15 cm (6 pulg).
- Apriete firmemente en forma cruzada los tornillos (1).

### Instalación del cable del acelerador

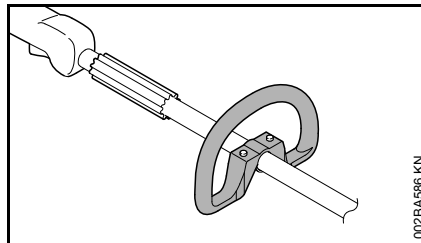
#### INDICACIÓN

No tuerza el cable del acelerador ni forme curvas agudas al colocar el mismo – asegúrese de que el gatillo de aceleración se mueva libremente.



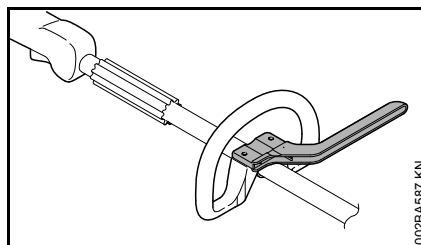
- Empuje el cable del acelerador (1) en el retenedor (2).

## Montaje del mango tórico



Las máquinas nuevas se despachan de la fábrica con el mango tórico ya instalado.

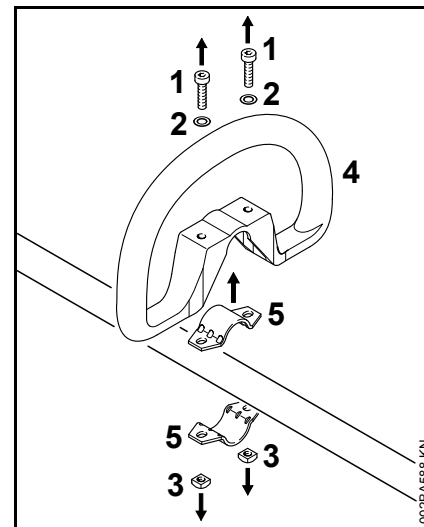
## Uso de la barra de defensa



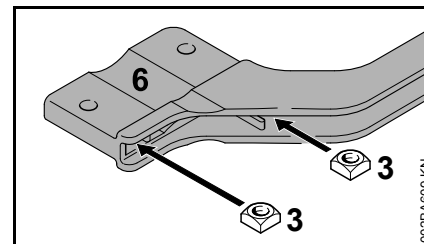
Puede ser necesario instalar una barra de defensa adaptada al accesorio de corte que se va a usar – vea "Combinaciones aprobadas accesorio de corte, deflector, mango y arnés".

La barra de defensa se suministra como equipo estándar o puede ser disponible como un accesorio especial.

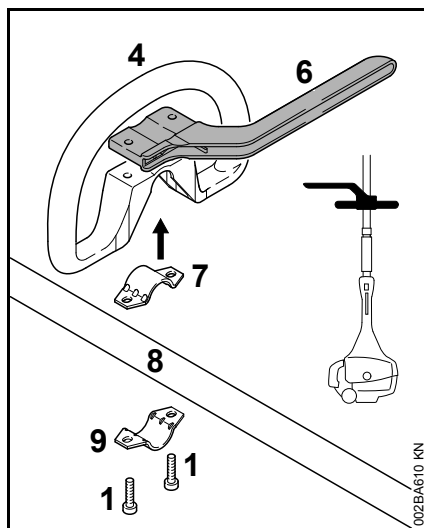
## Montaje de la barra de defensa



- Saque y retire los tornillos (1) junto con las arandelas (2) y las tuercas (3).
- Retirar el mango tórico (4) y las abrazaderas (5).



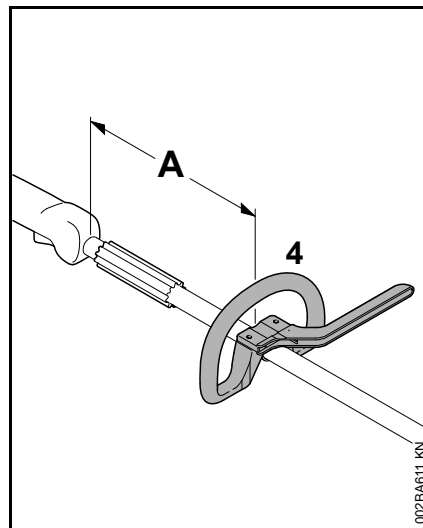
- Coloque las tuercas cuadradas (3) en la barra de defensa (6) – los agujeros deberán quedar alineados.



- Coloque la abrazadera (7) en el mango tórico (4) y ponga los dos en posición contra el tubo de mando (8).
- Coloque la abrazadera (8) contra el tubo de mando.
- Coloque la barra de defensa (6) en su lugar, tal como se muestra.
- Alinee los agujeros.
- Inserte los tornillos (1) en los agujeros y atornillelos en la barra de defensa hasta donde topen.
- Prosiga a "Ajuste y fijación del mango tórico".

Deje la barra de defensa permanentemente instalada en el mango tórico.

### Ajuste y fijación del mango tórico



El mango tórico puede ajustarse de acuerdo con la talla y el alcance del operador y el uso, por medio de variar la distancia (A).

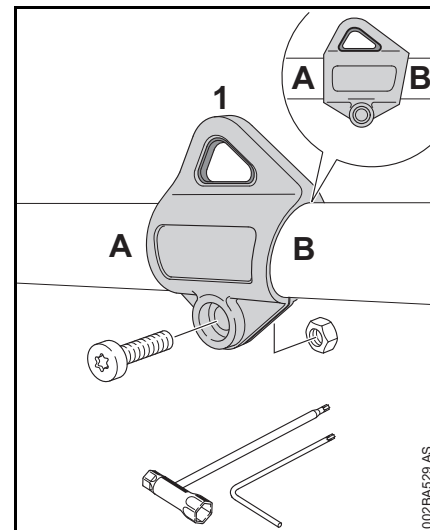
Recomendación: la distancia (A) debe medir aproximadamente 15 cm (5,9 pulg)

- Deslice el mango a la posición requerida.
- Alinee el mango tórico (4).
- Apriete los tornillos hasta que no sea posible girar el mango en el tubo de mando. Si no tiene instalada barra de defensa, fije las tuercas de ser necesario.

### Montaje de la argolla de transporte

#### Versión en plástico polimérico

La argolla de transporte se suministra como equipo estándar o puede ser disponible como un accesorio especial.



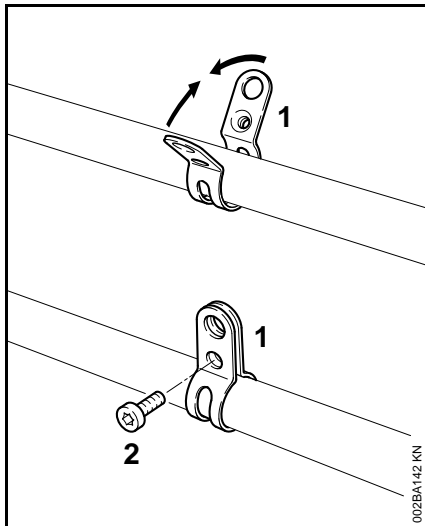
Vea "Piezas principales" para determinar la posición de la argolla de transporte.

- Sujete la argolla de transporte (1) con su lado ranurado orientado contra el tubo de mando y empújela sobre el tubo de mando.
- Inserte la tuerca M5 en el rebajo hexagonal en la argolla de transporte.
- Coloque el tornillo M5x14 por el otro lado.

- Alinee la argolla de transporte
- Apriete el tornillo firmemente.
- Alinee la argolla de transporte
- Apriete el tornillo firmemente.

### Versión metálica

La argolla de transporte se suministra como equipo estándar o puede ser disponible como un accesorio especial.

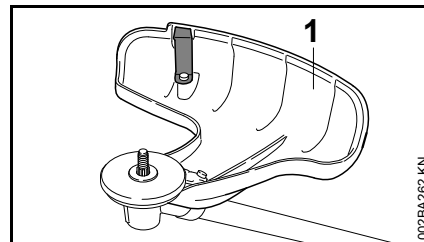


Vea "Piezas principales" para determinar la posición de la argolla de transporte.

- Coloque la abrazadera (1) contra el tubo de mando **con el agujero con roscas a la izquierda** (vista desde el motor).
- Apriete juntos los dos extremos de la abrazadera y sosténgala en esa posición.
- Introduzca el tornillo M6x14 (2).

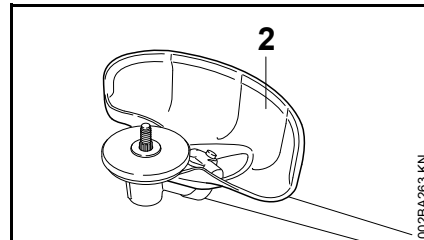
### Montaje de la barra de defensa

#### Utilice el deflector correcto



#### ! ADVERTENCIA

El deflector (1) está aprobado sólo para uso con cabezas segadoras y, por lo tanto, debe instalarse antes de colocar una cabeza segadora



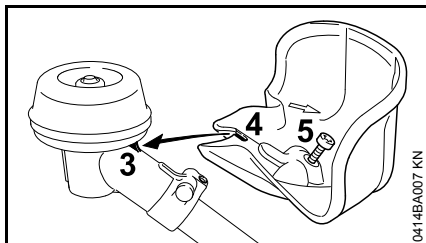
#### ! ADVERTENCIA

El deflector (2) está aprobado sólo para uso con cuchillas para pasto y, por lo tanto, debe instalarse antes de colocar una cuchilla para pasto.

#### Montaje del deflector

Los deflectores (1) y (2) se instalan en la caja de engranajes de la misma manera.



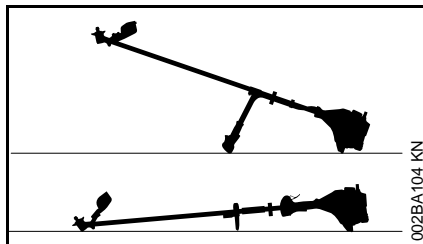


- Coloque el deflector contra la caja de engranajes de modo que la orejeta (3) se encaja en el rebajo (4) del deflector.
- Inserte el tornillo (5) y apriételo bien firme.

En algunas versiones el tornillo M5x14 se embala suelto con el deflector.

## Montaje del accesorio de corte

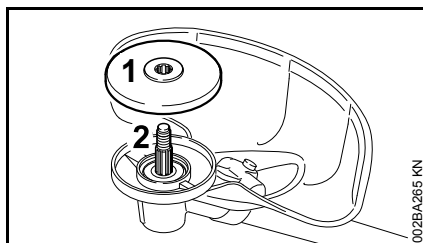
### Colocación de la herramienta motorizada en el suelo



- Apague el motor.
- Apoye la herramienta sobre su parte trasera de modo que la superficie de montaje del accesorio de corte quede hacia arriba.

### Instalación de la placa de empuje

La máquina viene con la placa de empuje como equipo estándar.



- Deslice la placa de empuje (1) sobre el eje (2).

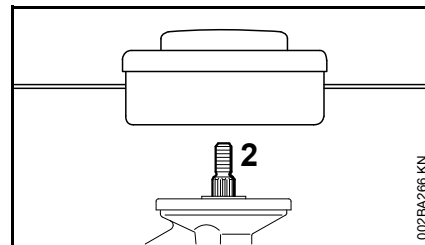
## INDICACIÓN

Se requiere la placa de empuje en la caja de engranajes para poder instalar las herramientas de corte.

### Tornillería de montaje para accesorios de corte

La tornillería de montaje suministrada depende del accesorio de corte incluido como equipo original con la nueva máquina.

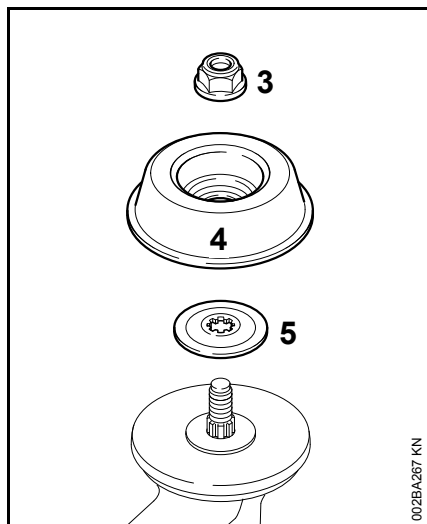
### Si la tornillería de montaje no se embala con la máquina



Sólo se pueden usar las cabezas segadoras que se instalan directamente en el eje (2).

### Si la tornillería de montaje se embala con la máquina

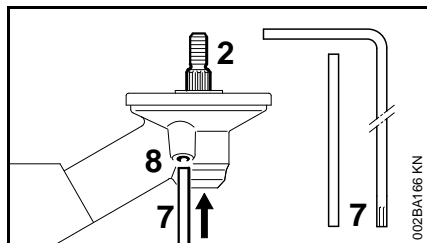
Se pueden montar cabeza segadoras y herramientas de corte metálicas.



La tuerca (3), la placa de refuerzo (4) y la arandela de empuje (5) son necesarias para la instalación de algunas cabezas segadoras.

Estas piezas se incluyen en un kit suministrado con la máquina y también están disponibles como accesorios especiales.

### Bloquee el eje.



Para instalar o quitar las herramientas de corte, es necesario bloquear el eje de salida (2) con el pasador de tope (7) o el

destornillador (7). Estas piezas se suministran con la máquina como equipo estándar o están disponibles como accesorios especiales.

- Inserte el pasador de tope (7) o el destornillador descentrado (7) en el agujero (8) hasta fondo en la caja de engranajes y aplique algo de presión.
- Gire el eje o el accesorio de corte hasta que el pasador de tope se deslice en su lugar y bloquee el eje.

### Montaje del accesorio de corte

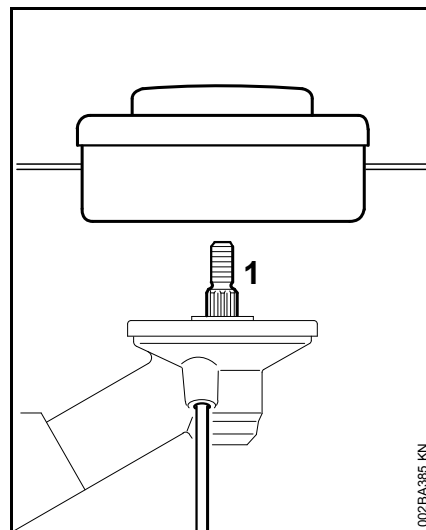


### ADVERTENCIA

Utilice el deflector apropiado para la máquina – vea "Montaje del deflector".

### Colocación de cabeza segadora con tornillo de montaje

Guarde la hoja de instrucciones de la cabeza segadora en un lugar seguro.



- Atornille la cabeza segadora en sentido contrahorario en el eje (1) hasta que tope.
- Bloquee el eje.
- Apriete la cabeza segadora bien firme.

### *INDICACIÓN*

Quite la herramienta usada para bloquear el eje.

### Retiro de la cabeza segadora

- Bloquee el eje.
- Destornille la cabeza segadora en sentido horario.

## Montaje de accesorios de corte metálicos

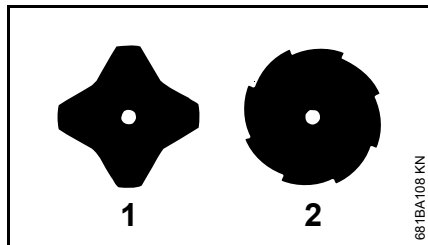
Conserve el folleto y material de embalaje de la herramienta metálica de corte en un lugar seguro.

### ! ADVERTENCIA

Use guantes protectores para reducir el riesgo de contacto directo con los filos.

Monte solamente un accesorio de corte metálico.

### Verifique el sentido de rotación del accesorio de corte

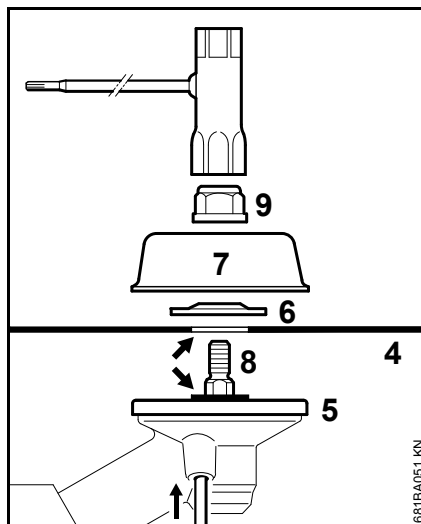


Los filos de la cuchilla para pasto (1) pueden apuntar en cualquier sentido – este accesorio de corte debe invertirse a intervalos regulares para evitar desgastar solamente uno de sus lados.

Los bordes cortantes de la cuchilla para pasto (2) deben apuntar en sentido horario.

### ! ADVERTENCIA

El sentido de rotación está indicado por una flecha ubicada en la superficie interior del deflector.



- Coloque el accesorio de corte (4) sobre la placa de empuje (5).

### ! ADVERTENCIA

El collar (vea la flecha) debe encajar en el agujero de montaje del accesorio de corte.

### Sujeción del accesorio de corte

- Coloque la arandela de empuje (6) – el lado convexo debe quedar hacia arriba.
- Instale la placa de refuerzo (7).
- Bloquee el eje (8).
- Atornille la tuerca de montaje (9) en sentido contrahorario en el eje y apriétela firmemente.

### ! ADVERTENCIA

Si la tuerca de montaje está demasiado floja, instale una nueva.

## INDICACIÓN

Quite la herramienta usada para bloquear el eje.

## Retiro del accesorio de corte metálico

### ! ADVERTENCIA

Use guantes protectores para reducir el riesgo de contacto directo con los filos.

- Bloquee el eje.
- Destornille la tuerca de montaje en sentido horario.
- Retire el accesorio de corte y su tornillería de montaje de la caja de engranajes – pero **no** retire la placa de empuje (5).

## Combustible

Este motor está certificado para funcionar con una mezcla de 50 a 1 de gasolina sin plomo y aceite STIHL para motores de dos tiempos.

Su motor requiere una mezcla de gasolina de alta calidad y aceite para motores de dos tiempos enfriados por aire.

Utilice gasolina sin plomo de grado intermedio con un octanaje mínimo de 89 ((R+M)/2) y un contenido de etanol no mayor que el 10%.

El combustible de octanaje bajo puede aumentar la temperatura de funcionamiento del motor. Esto, a su vez, aumenta el riesgo de que se agarrote el pistón y se dañe el motor.

La composición química del combustible también es importante. Algunos aditivos de combustible no solamente tienen efectos perjudiciales en los elastómeros (diafragmas de carburador, sellos de aceite, tuberías de combustible, etc.), sino también en las piezas fundidas de magnesio y en los convertidores catalíticos. Esto podría causar problemas de funcionamiento e incluso daño del motor. Por esta razón, STIHL recomienda el uso exclusivo de gasolina sin plomo reconocida de buena calidad.

La gasolina con un contenido de etanol mayor que el 10% puede causar problemas de funcionamiento y averías graves en motores, por lo cual no debe utilizarse.

El contenido de etanol en la gasolina afecta el régimen de marcha del motor – podría resultar necesario reajustar el carburador si se utilizan combustibles con diversos niveles de contenido de etanol.

### ADVERTENCIA

Para reducir el riesgo de lesiones personales debido a la pérdida de control y/o al contacto con la herramienta de corte en movimiento, no use una máquina cuyo régimen de marcha en vacío está mal regulado. Cuando el marcha en vacío está correctamente regulado, la herramienta de corte no debe moverse.

Si su herramienta motorizada indica que el régimen de marcha en vacío está mal regulado, pida a su representante de STIHL que revise la herramienta motorizada y haga los ajustes o reparaciones correspondientes.

Las velocidades de ralentí y máxima del motor varían si se cambia el combustible por otro con un contenido mayor o menor de etanol.

Este problema se evita si siempre se utiliza combustible con un mismo contenido de etanol..

Use solamente el aceite STIHL para motores de dos tiempos o un aceite de marca equivalente para motores de dos tiempos diseñado para usar exclusivamente con los motores de dos tiempos enfriados por aire.

Se recomienda usar aceite STIHL HP Ultra para motores de 2 tiempos, puesto que éste ha sido formulado especialmente para uso en motores STIHL.

No use aceites para mezclar con designaciones BIA o TCW (para motores de dos tiempos enfriados por agua) ni otros aceites para mezclar diseñados para usar en motores enfriados por agua o por aire (por ejemplo, en motores marinos fuera de borda, motonieves, sierras de cadenas, bicimotos, etc.).

### ADVERTENCIA

Manipule la gasolina con sumo cuidado. Evite el contacto directo con la piel y evite inhalar los vapores de combustible. Cuando se reabastece de combustible, quite primero el envase del vehículo y colóquelo en el suelo antes de llenarlo. Para reducir el riesgo de la formación de chispas causadas por la descarga de electricidad estática y un posible incendio y/o explosión, no llene los envases de combustible cuando están colocados dentro de un vehículo o remolque.

Mantenga el envase bien cerrado para limitar la cantidad de humedad que penetre en la mezcla.

Limpie el tanque de combustible de la máquina según sea necesario.

### Duración de la mezcla de combustible

Mezcle una cantidad suficiente de combustible para trabajar unos pocos días, no lo guarde por más de 30 días. Guárdelo únicamente en envases aprobados para combustible. Para el proceso de mezclado, vierta el aceite en el envase primero y luego agregue la gasolina. Cierre el envase y agítelo

vigorosamente a mano para asegurar que se mezclen bien el aceite y la gasolina.

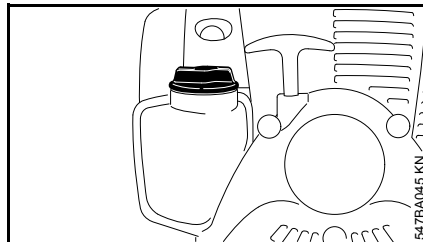
Gasolina gal EE.UU.	Aceite (STIHL 50:1 ó aceite de alta calidad equivalente) oz fl EE.UU.
1	2,6
2 1/2	6,4
5	12,8

Deseche los envases vacíos usados para mezclar el aceite únicamente en vertederos autorizados para ello.

## Llenado de combustible



### Preparaciones



- Antes de llenar la máquina con combustible, limpie a fondo la tapa de llenado y la zona alrededor del mismo para evitar la entrada de tierra al depósito.

Siempre agite bien la mezcla en el recipiente antes de llenar la máquina con combustible.

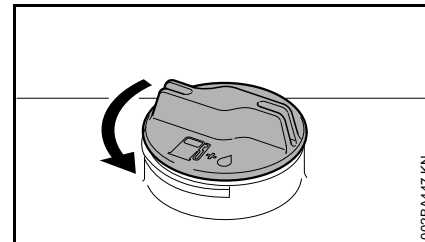
- Coloque la máquina de modo que la tapa de llenado quede orientada hacia arriba.



### ADVERTENCIA

Para reducir el riesgo de quemaduras, así como de incendios y de lesiones corporales ocasionadas por los escapes de vapor de gasolina y otras emanaciones, quite la tapa de llenado de combustible cuidadosamente de modo que la presión que se pueda haber acumulado en el depósito se disipe lentamente.

### Apertura de la tapa de llenado roscada

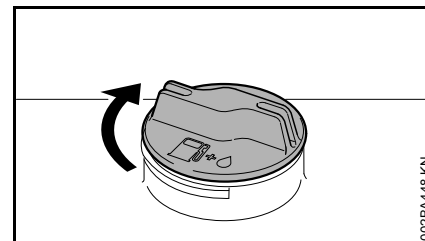


- Gire la tapa en sentido contrahorario hasta quitarla de la boca de llenado del tanque.
- Quite la tapa de llenado.

### Carga de combustible

Tenga cuidado de no derramar el combustible y no llene en exceso el tanque.

### Cierre de la tapa de llenado roscada



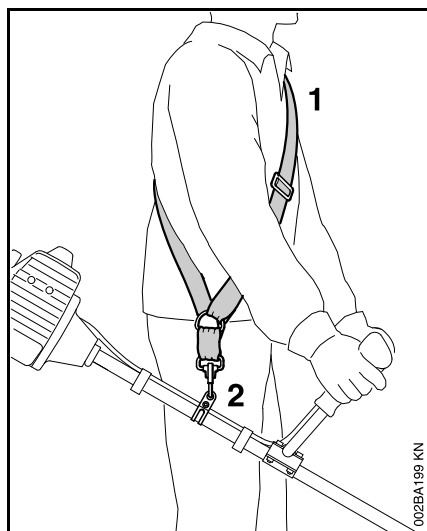
- Coloque la tapa en posición.
- Gire la tapa en sentido horario hasta que tope y apriétela hasta donde sea posible con la mano.

## Uso de la correa para hombro

El tipo y el estilo del arnés dependen del lugar de venta.

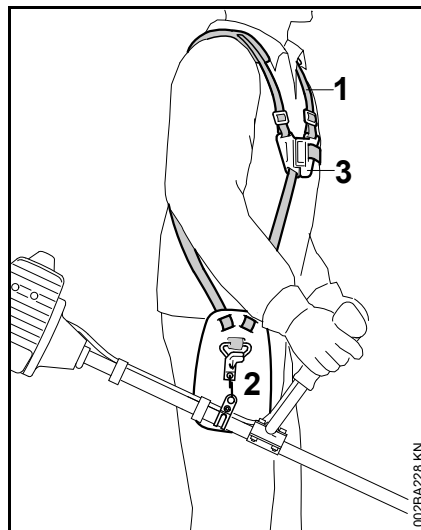
El uso del arnés se describe en el capítulo "Combinaciones aprobadas de accesorio de corte, deflector, mango y arnés".

### Correa para hombro



- Colóquese la correa (1) sobre el hombro.
- Ajuste el largo de la correa de modo que el mosquetón (2) quede aproximadamente el ancho de la mano por debajo de su cadera derecha.
- Equilibre la máquina.

### Arnés completo



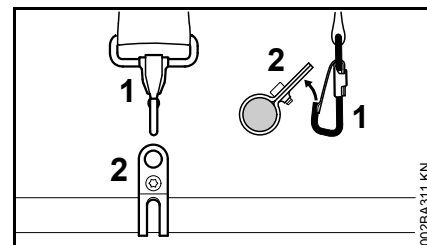
- Colóquese el arnés (1) y cierre la placa de bloqueo (3).
- Ajuste el largo de la correa – con la máquina conectada, el mosquetón (2) debe quedar aproximadamente a la misma altura que su cadera derecha.
- Equilibre la máquina – vea "Equilibrado de la máquina".

## Equilibrio de la máquina

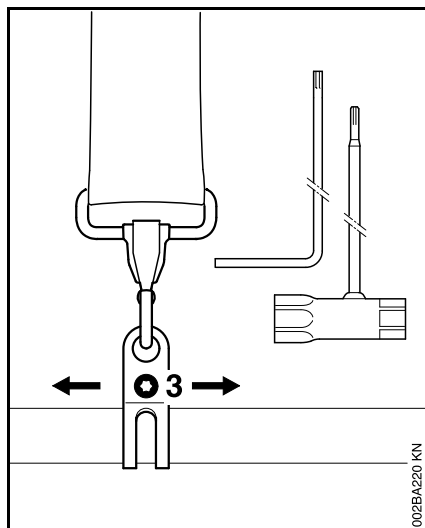
El tipo y el estilo del arnés y mosquetón (gancho con resorte) dependen del lugar de venta.

La argolla de transporte forma parte del mango de control en las unidades con mango tórico – vea "Piezas principales". No es necesario equilibrar las unidades con mango tórico.

### Fijación de la unidad al arnés

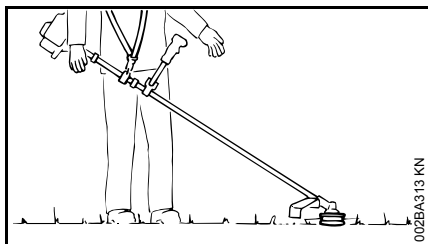


- Enganche el mosquetón (1) en la argolla para transporte (2) ubicada en el tubo de mando.



- Suelte el tornillo (3).

### Posición de flotación



- Las cabezas de segado y la cuchillas para pasto apenas deben tocar el suelo.

Proceda de la manera siguiente para ajustar la posición de flotación:

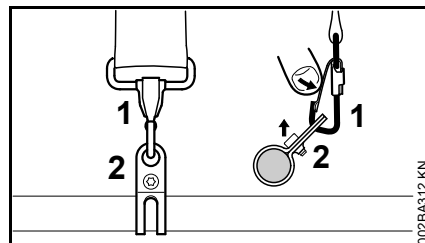
- Mueva la argolla de transporte hacia arriba o abajo en el tubo de mando – apriete moderadamente el tornillo – suelte la unidad y espere

hasta que la misma quede equilibrada – revise la posición de flotación.

Cuando se alcanza el punto de flotación correcto:

- Apriete firmemente el tornillo en la argolla de transporte.

### Desconexión de la unidad del arnés

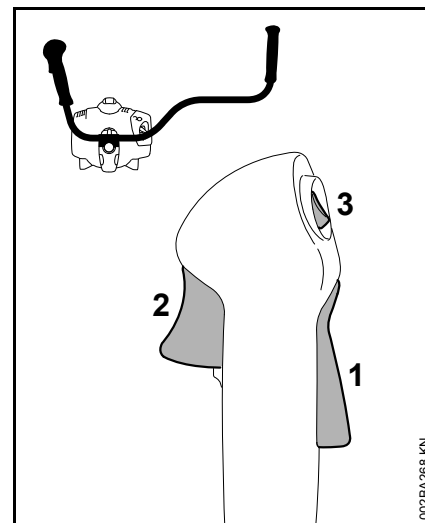


- Empuje la barra en el mosquetón (1) y extraiga la argolla de transporte (2) del gancho.

## Arranque / parada del motor

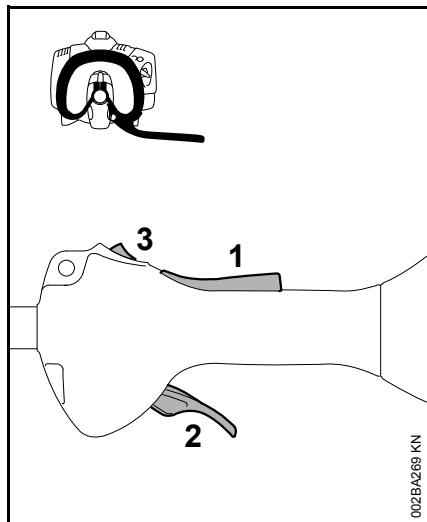
### Controles

#### Versión con manillar tipo bicicleta



- 1 Bloqueo de gatillo de aceleración
- 2 Gatillo de aceleración
- 3 Interruptor de parada con posiciones Run (Marcha) y 0 (Parada).

## Versión con mango tórico

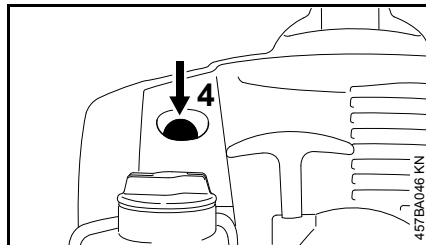


- 1 Bloqueo de gatillo de aceleración
- 2 Gatillo de aceleración
- 3 Interruptor de parada con posiciones **Run (Marcha)** y **0 (Parada)**.

### Funcionamiento del interruptor de parada y sistema de encendido

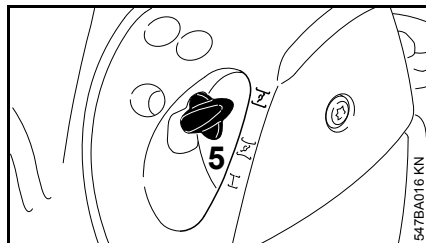
El interruptor de parada normalmente está en la posición de Marcha, es decir, cuando el interruptor **no** está oprimido: – el encendido está conectado y el motor está listo para arrancar. Cuando el interruptor de parada se mueve a la posición **0**, se desconecta el encendido. El sistema de encendido se activa otra vez después de apagar el motor.

## Arranque del motor



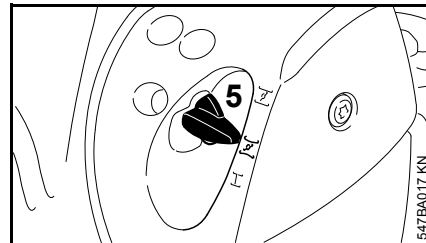
- Oprima el bulbo (4) de la bomba de combustible manual por lo menos cinco veces, aunque el bulbo esté lleno de combustible.

### Motor frío (arranque en frío)



- Empujar la palanca del estrangulador (5) y gírela a **I** al mismo tiempo.

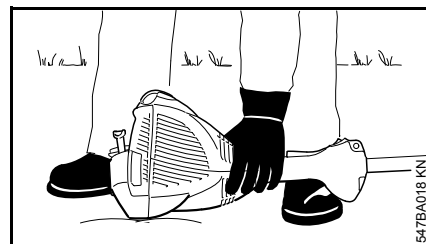
## Motor caliente (arranque en caliente)



- Empujar la palanca del estrangulador (5) y gírela a **II** al mismo tiempo.

También utilice esta posición si el motor ha estado en marcha, pero todavía se encuentra frío.

### Arranque



- Coloque la máquina sobre el suelo: Debe quedar firmemente apoyada en el soporte del motor y el deflector.
- Si está instalado: Retire el protector para transporte del accesorio de corte.

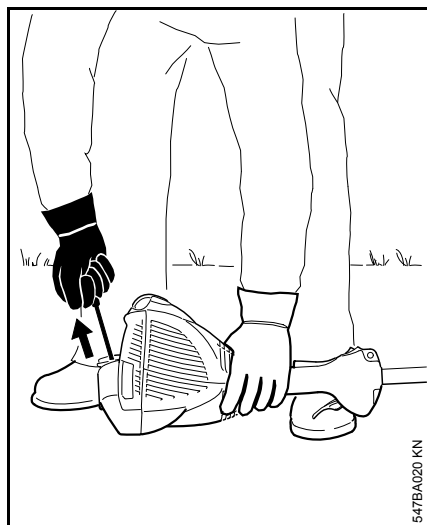
**Para reducir el riesgo de sufrir accidentes**, verifique que el accesorio de corte no esté tocando el suelo ni ningún otro obstáculo.



- Asegúrese de tener los pies bien apoyados – ya sea de estar a pie, agacharse o arrodillarse.
- Sujete la máquina **firmemente** en el suelo usando la mano izquierda y empuje hacia abajo. No toque el gatillo de aceleración, la palanca de bloqueo ni el interruptor de parada.

### INDICACIÓN

No se pare ni se arrodille sobre el tubo de mando.



- Sujete el mango de arranque con la mano derecha.

### Versión sin Easy2Start

- Tire lentamente del mango de arranque hasta que sienta el enganche del mismo y en seguida dele un tirón fuerte y rápido.

### Versión con Easy2Start

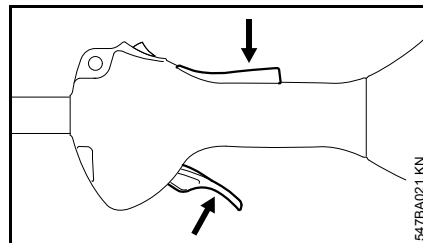
- Tire uniformemente del mango de arranque.

### INDICACIÓN

No tire de la cuerda de arranque totalmente hasta fuera, **se podría romper**.

- No deje que el mango de arranque salte bruscamente hacia atrás. Guíelo lentamente hacia el interior de la caja para que la cuerda de arranque se enrolle correctamente.
- Continúe haciendo girar el motor hasta que arranque.

### Tan pronto arranca



- Empuje el bloqueo del gatillo de aceleración hacia abajo y abra el acelerador – la palanca del estrangulador se mueve a la posición de marcha **I**. Después de un arranque en frío, caliente el motor accionando varias veces el acelerador.



### ADVERTENCIA

Asegúrese de que el carburador esté correctamente ajustado. El accesorio de corte no debe girar cuando el motor está funcionando a marcha en vacío.

Su máquina está lista para trabajar.

### Parada del motor

- Mueva el interruptor de parada hacia **0** – el motor se para – suelte el interruptor de parada – el mismo regresa a la posición de marcha.

### Sugerencias adicionales para el arranque

**El motor se cala en la posición de arranque en frío  $\overline{I}$  o durante la aceleración**

- Mueva la palanca del estrangulador a  $\overline{II}$  y continúe haciendo girar el motor hasta que arranque.

**El motor no arranca en la posición de arranque en caliente  $\overline{II}$**

- Mueva la palanca del estrangulador a  $\overline{I}$  y continúe haciendo girar el motor hasta que arranque.

**Si el motor no arranca**

- Compruebe que todos los ajustes sean correctos.
- Verifique que haya combustible en el depósito y agregue combustible de ser necesario.
- Verifique que el casquillo de la bujía esté correctamente conectado.
- Repita el procedimiento de arranque.

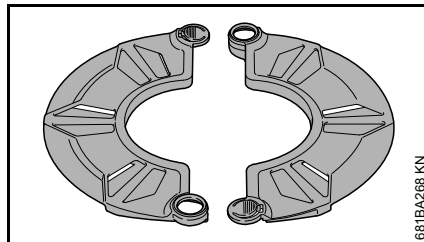
## Se agotó completamente el combustible en el depósito

- Después de llenar el tanque, oprima el bulbo de la bomba de combustible por lo menos cinco veces, aunque el bulbo esté lleno de combustible.
- Ajuste la palanca del estrangulador según la temperatura del motor.
- Ahora arranque el motor.

## Traslado de la unidad

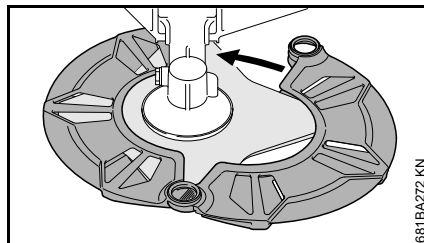
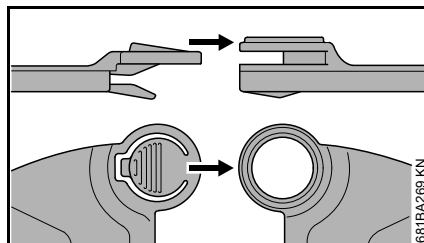
### Uso de un protector de transporte

Los protectores de transporte están disponibles como accesorios especiales.



El protector de transporte puede usarse para cuchillas para cortar pasto de hasta 230 mm de diámetro.

### Colocación del protector de transporte



## Instrucciones para el uso

### Durante el período de rodaje

Una máquina nueva de fábrica no debe hacerse funcionar a velocidad alta (aceleración máxima sin carga) por el lapso que tome llenar el tanque tres veces. Esto evita la imposición de cargas innecesariamente altas durante el período de rodaje. Ya que todas las piezas móviles deben asentarse durante el período de rodaje inicial, durante este tiempo la resistencia causada por fricción en el motor es más elevada. El motor desarrolla su potencia máxima después de haber llenado el tanque de 5 a 15 veces.

### Durante el trabajo

Después de un período largo de funcionamiento con el acelerador a fondo, deje funcionar el motor por un rato en ralentí de modo que el calor en el motor sea disipado por la corriente de aire de enfriamiento. Esto ayuda a evitar que los componentes montados en el motor (encendido, carburador) sufran sobrecargas térmicas.

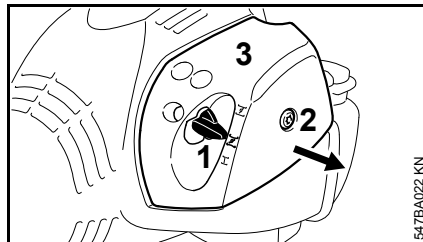
### Después de terminar el trabajo

Almacenamiento por corto tiempo: Espere hasta que el motor se enfríe. Vacíe el tanque de combustible y guarde la máquina en un lugar seco, alejada de fuentes de encendido, hasta que la vuelva a utilizar. Para los

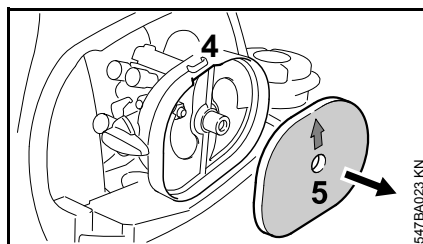
intervalos de almacenamiento por tiempo prolongado – vea "Almacenamiento de la máquina".

## Limpeza del filtro de aire

**Si se nota una pérdida considerable de la potencia del motor**



- Ponga la palanca del estrangulador (1) en  $\overline{\text{X}}$ .
- Gire el tornillo (2) en la cubierta del filtro (3) en sentido contrahorario hasta que la cubierta esté suelta.
- Levante cuidadosamente la cubierta del filtro (3) encima de la lengüeta y quítela.
- Limpie toda la suciedad de alrededor del filtro.



- Extraiga el filtro de fieltro (5) del rebajo (4) en la caja del filtro.
- Coloque un elemento de filtro de fieltro (5) nuevo. Como una medida provisoria, es posible limpiarlo

golpeándolo en la palma de la mano o soplándolo con aire comprimido. No lo lave.

### INDICACIÓN

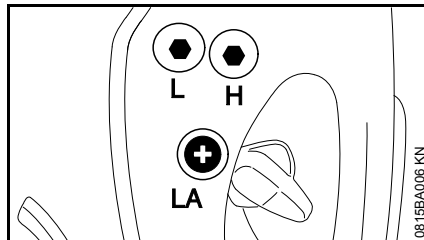
Siempre sustituya las piezas dañadas.

- Instale el filtro de fieltro (5) en la caja y asegúrese que esté bien asentado – la flecha debe apuntar hacia el rebajo.
- Ponga la palanca del estrangulador (1) en  $\overline{\text{X}}$ .
- Coloque la cubierta del filtro en su lugar y asegúrese que el tornillo esté recto. Apriete el tornillo.

## Gestión del motor

Las emisiones de gases de escape son controladas por el diseño de parámetros y componentes fundamentales del motor (por ej. carburación, encendido, regulación y regulación de las válvulas o la lumbrera) sin la adición de ningún equipo importante.

## Ajuste del carburador



El carburador se ajusta en fábrica para garantizar que la mezcla de combustible/aire sea óptima bajo la mayoría de las condiciones de trabajo.

### Ajuste de marcha en vacío

#### El motor se para durante el funcionamiento a marcha en vacío

- Caliente el motor por aproximadamente 3 minutos.
- Gire el tornillo de marcha en vacío (LA) lentamente en sentido horario hasta que el motor funcione de modo uniforme – el accesorio de corte no deberá funcionar.

#### El accesorio de corte funciona cuando el motor está en marcha en vacío

- Gire el tornillo de ajuste de marcha en vacío (LA) lentamente en sentido contrahorario hasta que el accesorio de corte se detenga y luego gire el tornillo de 1/2 a 3/4 de vuelta adicional en el mismo sentido.

## ADVERTENCIA

Si el accesorio de corte sigue girando cuando el motor está funcionando a marcha en vacío, pida a su concesionario de servicio que revise y repare la máquina.

## Bujía

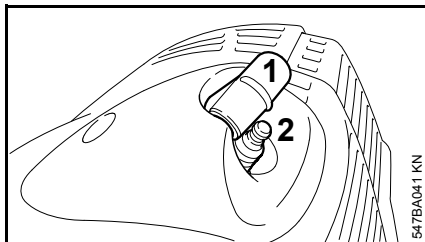
Si el motor pierde potencia, es difícil arrancarlo o funciona de modo irregular a ralentí, revise la bujía primero.

**Instale una bujía nueva después de aprox. 100 horas de funcionamiento,** o más temprano si los electrodos están muy gastados.

Si la mezcla del combustible es incorrecta (demasiado aceite en la gasolina), el filtro de aire está sucio, y las condiciones de trabajo no son favorables (especialmente a aceleraciones intermedias) se afecta la condición de la bujía. Estos factores permiten la formación de depósitos en la punta aislante, los cuales pueden perjudicar el rendimiento.

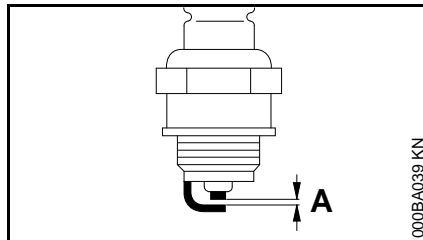
### Retiro de la bujía

- apague el motor.



- Quite el casquillo de la bujía (1).
- Destornille la bujía (2).

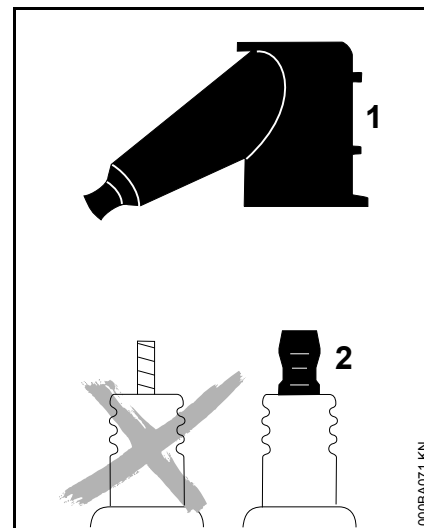
### Revisión de la bujía



- Limpie la bujía si está sucia.
- Revise la separación entre electrodos (A) y ajústela de ser necesario – vea "Especificaciones".
- Utilice únicamente bujías tipo resistencia cuyo margen de rendimiento sea el aprobado.

Corrija los problemas que hayan causado la contaminación de la bujía:

- demasiado aceite en la mezcla de combustible,
- filtro de aire sucio,
- condiciones desfavorables de funcionamiento, por ejemplo, funcionando bajo carga parcial.



### ! ADVERTENCIA

Para reducir el riesgo de incendio y de quemaduras, utilice solamente las bujías autorizadas por STIHL. Siempre empuje el casquillo (1) de la bujía firmemente en el borne (2) del tamaño adecuado. (Nota: Si el borne tiene una tuerca adaptadora SAE desmontable, tiene que ser firmemente instalada). Una conexión suelta entre el casquillo de la bujía y el conector del cable de encendido en el casquillo puede crear un arco voltaico y encender los vapores del combustible, provocando un incendio.

### Instalación de la bujía

- Atornille la bujía en el cilindro.
- Presione el casquillo firmemente sobre la bujía

## Funcionamiento del motor

Si el funcionamiento del motor es insatisfactorio aunque el filtro de aire está limpio y el carburador ha sido debidamente ajustado, la causa puede hallarse en el silenciador.

Solicite al concesionario que revise si hay contaminación (coquización) en el silenciador.

STIHL recomienda que un concesionario STIHL autorizado efectúe los trabajos de mantenimiento y reparación.

## Dispositivo de arranque

Para prolongar la vida útil de la cuerda de arranque, siempre observe los puntos siguientes:

- Tire de la cuerda de arranque solamente en el sentido especificado.
- No tire de la cuerda sobre el borde del buje guía.
- No tire de la cuerda más de lo especificado.
- No deje que el mango de arranque retroceda bruscamente, guíelo lentamente hacia el interior de la caja – vea el capítulo "Arranque/Parada del motor."

Pida que el concesionario de servicio sustituya la cuerda de arranque dañada oportunamente. STIHL recomienda que un concesionario STIHL autorizado efectúe los trabajos de mantenimiento y reparación.

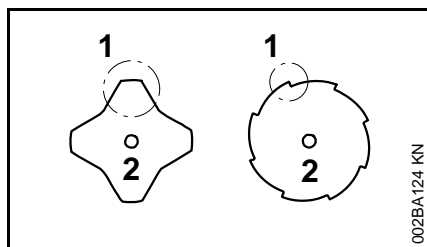
## Almacenamiento de la máquina

Para intervalos de 3 meses o más

- Vacíe y limpie el tanque de combustible en una zona bien ventilada.
- Deseche el combustible de acuerdo con los requerimientos locales de protección del medio ambiente.
- Haga funcionar el motor hasta que el carburador se seque. Esto ayuda a evitar que los diafragmas del carburador se peguen.
- Retire, limpie e inspeccione el accesorio de corte. Cubra los accesorio de corte metálicos con inhibidor de corrosión.
- Limpie la máquina a fondo - preste atención especial a las aletas del cilindro y al filtro de aire.
- Guarde la máquina en un lugar seco y bajo llave, fuera del alcance de los niños y de otras personas no autorizadas.

## Afilado de los accesorios de corte

- Use una lima (vea "Accesorios especiales") para afilar los accesorios de corte romos. En el caso de desgaste o mellas más serios: Vuelva a afilar con una rectificadora o pida que el trabajo se lo haga el concesionario – STIHL recomienda acudir a un concesionario de STIHL.
- Afíle la cadena con frecuencia, rebaje tan poco metal como sea posible – dos o tres pasadas de la lima generalmente son suficientes.



- Afíle los dientes (1) uniformemente – no altere de manera alguna el contorno de la cuchilla matriz (2).

Vea las instrucciones en el embalaje del accesorio de corte para información adicional acerca del afilado. Guarde los materiales de embalaje para uso futuro.

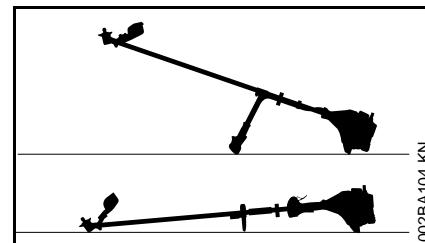
## Equilibrio

- Después de aproximadamente 5 afiladas, revise la herramienta de corte con un equilibrador STIHL (accesorio especial) – o pida que un concesionario la revise y vuelva a ajustar el equilibrio según sea

necesario – STIHL recomienda acudir a un concesionario STIHL para servicio.

## Mantenimiento de la cabeza segadora

### Colocación de la herramienta motorizada en el suelo



- Apague el motor.
- Apoye la herramienta sobre su parte trasera de modo que la superficie de montaje del accesorio de corte quede hacia arriba.

### Sustitución del hilo de nilón

Revise siempre la cabeza segadora en busca de desgaste antes de sustituir el hilo de nilón.

### **!** ADVERTENCIA

Si hay señales de desgaste serio, sustituya la cabeza segadora completa.

El hilo de segado de nilón se denomina "hilo de nilón" o "hilo" en el texto siguiente.

Con la cabeza segadora se proveen instrucciones ilustradas para la sustitución del hilo de nilón. Guarde las instrucciones de la cabeza segadora en un lugar seguro.

- De ser necesario, retire la cabeza segadora.

### Ajuste del hilo de nilón

#### STIHL SuperCut

Un pedazo de hilo nuevo avanza automáticamente si el hilo todavía tiene una longitud mínima de **6 cm (2 1/2 pulg)**. La cuchilla en el deflector corta el hilo sobrante a la longitud correcta.

#### STIHL AutoCut

- Con el motor en marcha, mantenga la cabeza segadora sobre la superficie del césped.
- Golpéeela suavemente contra el suelo una vez – el hilo avanza y la cuchilla en el deflector lo corta al largo correcto.

El hilo nuevo avanza cada vez que se golpea el suelo con la cabeza segadora. Por este motivo, observe el rendimiento de corte de la cabeza segadora al usarla. Si la cabeza segadora se golpea contra el suelo con frecuencia excesiva, la cuchilla limitadora recortará tramos del hilo innecesariamente.

La alimentación del hilo funciona sólo si ambos hilos miden por lo menos **2,5 cm (1 pulg)** de largo.

#### STIHL TrimCut



#### **ADVERTENCIA**

**Para reducir el riesgo de sufrir lesiones,** siempre apague el motor antes de ajustar el hilo de nilón con la mano.

- Tire del carrete hacia arriba – gírelo aproximadamente 1/6 de vuelta en sentido contrahorario hasta que se encaje – y deje que vuelva solo.

- Tire de las puntas de los hilos hacia afuera.

Repita el procedimiento anterior según sea necesario, hasta que ambos hilos lleguen hasta la cuchilla limitadora en el deflector.

El girar el carrete de un tope al otro hace avanzar aproximadamente **4 cm (1 1/2 pulg)** de hilo.

### Sustitución del hilo de nilón

#### STIHL PolyCut

Un tramo del hilo de nilón puede colocarse en la cabeza PolyCut en lugar de las cuchillas.

#### STIHL DuroCut, STIHL FixCut, STIHL PolyCut



#### **ADVERTENCIA**

**Para reducir el riesgo de sufrir lesiones,** siempre apague el motor antes de cargar hilo en la cabeza segadora con la mano.

- Coloque el hilo de nilón en la cabeza segadora según se describe en las instrucciones provistas.

### Sustitución de cuchillas de corte

#### STIHL PolyCut

Revise siempre la cabeza segadora en busca de desgaste antes de instalar las cuchillas de corte nuevas.



#### **ADVERTENCIA**

Si hay señales de desgaste serio, sustituya la cabeza segadora completa.

Las cuchillas de termoplástico se denominan "cuchillas" en el texto siguiente.

Se proveen instrucciones ilustradas para la sustitución de cuchillas en la cabeza segadora. Guarde las instrucciones de la cabeza segadora en un lugar seguro.



#### **ADVERTENCIA**

**Para reducir el riesgo de sufrir lesiones,** siempre apague el motor antes de instalar las cuchillas.

- Retire la cabeza segadora.
- Sustituya las cuchillas de la manera mostrada en las instrucciones ilustradas.
- Instale la cabeza segadora en la máquina.



## Inspección y mantenimiento por el concesionario

### Chispero en silenciador

- Si el motor pierde potencia, revise el chispero del silenciador.

STIHL recomienda que un concesionario STIHL autorizado efectúe los trabajos de mantenimiento y reparación.

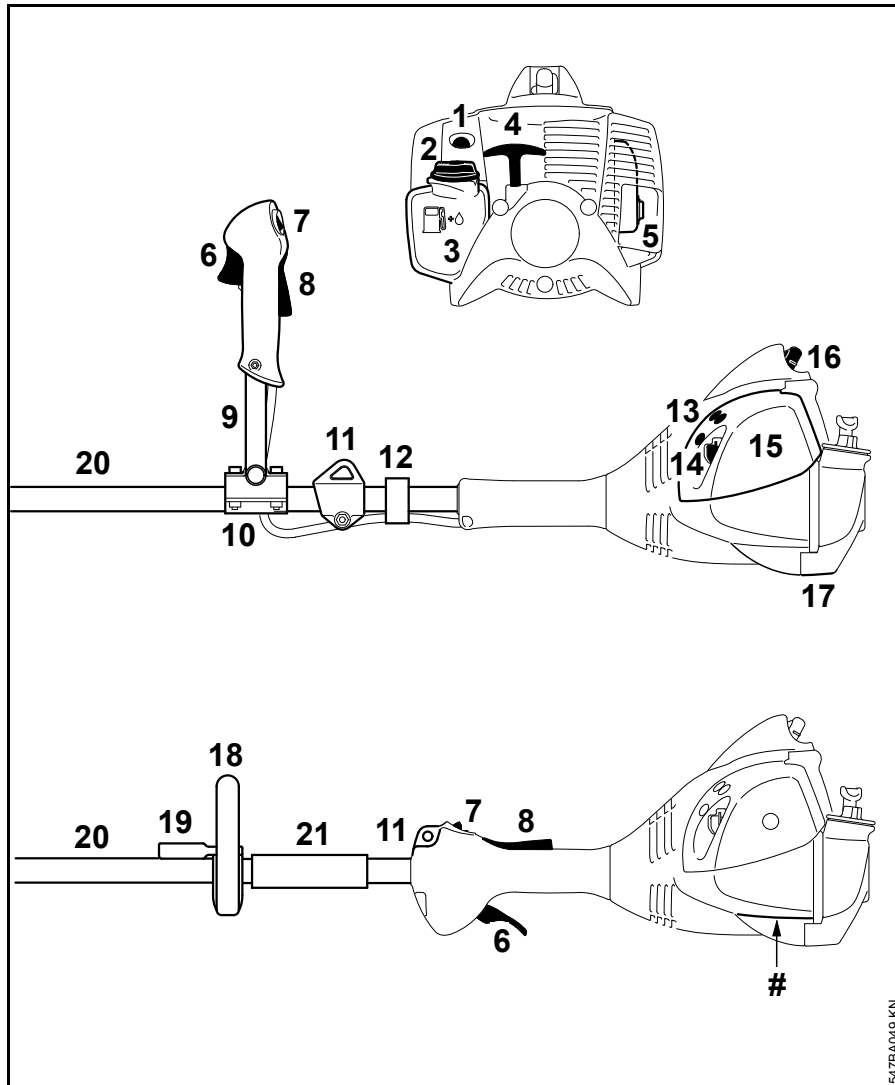
## Información para mantenimiento

Los intervalos que se indican a continuación corresponden únicamente a condiciones normales de funcionamiento. Si la jornada diaria es más prolongada que lo normal, o bien si las condiciones son extremas (zonas con demasiado polvo, etc.), acorte apropiadamente los intervalos indicados.		antes de comenzar el trabajo	después de completar el trabajo o diariamente	después de cada parada para cargar combustible	semanalmente	mensualmente	cada 12 meses	si hay problemas	si presenta daños	según se requiera
Máquina completa	Inspección visual (condición general, fugas)	X		X						
	Limpiar		X							
	Siempre sustituya las piezas dañadas	X							X	
Mango de control	Comprobar el funcionamiento	X		X						
Filtro de aire	Inspección visual					X		X		X
	Limpiar							X		X
	Reemplazar								X	
Bomba de combustible manual (si la tiene)	Revisar	X								
	Solicitar al concesionario de servicio su reparación <sup>1)</sup>								X	
Recogedor en depósito de combustible	Revisar							X		
	Reemplazar					X			X	X
Depósito de combustible	Limpiar							X		X
Carburador	Comprobar el ajuste de marcha en vacío – el accesorio de corte no debe girar	X		X						
	Ajustar la velocidad de marcha en vacío									X
Bujía	Ajustar la distancia entre electrodos							X		
	Cambiar después de aprox. cada 100 horas de funcionamiento									
Entradas de enfriamiento	Inspección visual		X							
	Limpiar									X
Chispero en silenciador	Solicitar al concesionario de servicio su revisión <sup>1)</sup>							X		
	Solicitar al concesionario de servicio su limpieza o sustitución <sup>1)</sup>								X	X

Los intervalos que se indican a continuación corresponden únicamente a condiciones normales de funcionamiento. Si la jornada diaria es más prolongada que lo normal, o bien si las condiciones son extremas (zonas con demasiado polvo, etc.), acorte apropiadamente los intervalos indicados.		antes de comenzar el trabajo	después de completar el trabajo o diariamente	después de cada parada para cargar combustible	semanalmente	mensualmente	cada 12 meses	si hay problemas	si presenta daños	según se requiera
Todos los tornillos y tuercas accesibles (salvo los tornillos de ajuste)	Volver a apretar									X
Accesorio de corte	Inspección visual	X		X						
	Reemplazar								X	
	Revisar el apriete	X		X						
Accesorio de corte metálico	Afilar	X								X
Etiquetas de seguridad	Reemplazar								X	

<sup>1)</sup> STIHL recomienda acudir a un concesionario STIHL autorizado para servicio.

## Componentes importantes



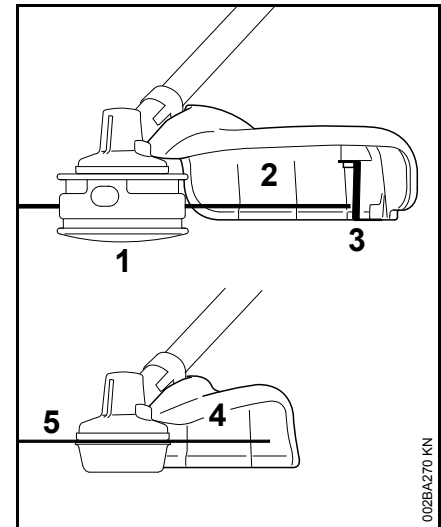
- 1 Bomba de combustible manual
- 2 Tapa de llenado de combustible
- 3 Tanque de combustible
- 4 Mango de arranque
- 5 Silenciador
- 6 Gatillo de aceleración
- 7 Interruptor de parada
- 8 Bloqueo de gatillo de aceleración
- 9 Manillar tipo bicicleta
- 10 Soporte del manillar
- 11 Argolla de transporte
- 12 Retenedor del cable del acelerador
- 13 Tornillos de ajuste del carburador
- 14 Palanca del estrangulador
- 15 Cubierta del filtro de aire
- 16 Casquillo de bujía
- 17 Apoyo de la máquina
- 18 Mango tórico
- 19 Barra de defensa (depende del país)
- 20 Tubo de mando
- 21 Manguito
- # Número de serie

547BA049 KN

## Definiciones

1. **Bomba de combustible manual**  
Suministra alimentación adicional de combustible para el arranque en frío.
2. **Tapa de llenado de combustible**  
Para tapan el depósito de combustible.
3. **Tanque de combustible**  
Contiene la mezcla de combustible y aceite.
4. **Mango de arranque**  
El mango del arrancador usado para arrancar el motor.
5. **Silenciador con chispero**  
El silenciador reduce los ruidos del tubo de escape y desvía los gases de escape lejos del operador. El chispero está diseñado para reducir el riesgo de incendios.
6. **Gatillo de aceleración**  
Regula la velocidad del motor.
7. **Interruptor de parada**  
Apaga el sistema de encendido del motor y para el motor.
8. **Bloqueo de gatillo de aceleración**  
Debe ser oprimido antes de poder activar el gatillo de aceleración.
9. **Manillar tipo bicicleta**  
Para facilitar el control de la máquina con ambas manos durante el proceso de corte.
10. **Soporte del manillar**  
Conecta el eje impulsor al manillar.

11. **Argolla de transporte**  
Conecta la orilladora/cortadora de matorrales al arnés.
12. **Retenedor del cable del acelerador**  
Sujeta el cable del acelerador al tubo de mando.
13. **Tornillos de ajuste del carburador**  
Para afinar el carburador.
14. **Palanca del estrangulador**  
Facilita el arranque del motor al enriquecer la mezcla.
15. **Cubierta del filtro de aire**  
Cubre y protege el elemento del filtro de aire.
16. **Casquillo de bujía**  
Conecta la bujía al alambre de encendido.
17. **Apoyo de la máquina**  
Para apoyar la máquina en el suelo.
18. **Mango tórico (con barra de defensa).**  
Para facilitar el control de la máquina durante el proceso de corte.
19. **Barra de defensa**  
Ayuda a mantener los pies y piernas del usuario lejos del accesorio de corte.
20. **Tubo de mando**  
Encierra y protege el eje impulsor entre el motor y el mecanismo.
21. **Manguito**  
Mantiene un espacio mínimo entre el mango tórico y el mango de control.



- 1 Cabeza de segado
- 2 Deflector para cabezas segadoras
- 3 Cuchilla limitadora del hilo
- 4 Deflector para cuchillas para pasto
- 5 Cuchilla para pasto

## Definiciones

1. **Cabeza de segado**  
El accesorio de corte, por ej. una cabeza segadora, se usa para diferentes propósitos.
2. **Deflector para cabezas segadoras**  
El deflector tiene por objeto reducir el riesgo de lesiones causadas por objetos extraños arrojados contra el operador por el accesorio de corte y por el contacto con el accesorio de corte.

### 3. Cuchilla limitadora del hilo

Una cuchilla de metal en el deflector para mantener el hilo de la cabeza segadora al largo adecuado.

### 4. Deflector para cuchillas para pasto

El deflector tiene por objeto reducir el riesgo de lesiones causadas por objetos extraños arrojados contra el operador por el accesorio de corte y por el contacto con el accesorio de corte.

### 5. Cuchilla para pasto

La cuchilla para cortar pasto hecha de metal para distintos propósitos (accesorio especial).

## Especificaciones

### EPA / CEPA

El período de cumplimiento de emisiones indicado en la etiqueta de cumplimiento de emisiones es la cantidad de horas de funcionamiento para la cual la máquina ha demostrado la conformidad con los requerimientos de emisiones del Gobierno federal de los EE.UU.

Categoría

A = 300 horas

B = 125 horas

C = 50 horas

### CARB

El período de cumplimiento de emisiones empleado en la etiqueta del índice de aire CARB tiene las siguientes definiciones:

Extended = 300 horas

Intermediate = 125 horas

Moderate = 50 horas

### Motor

#### Motor de un cilindro, dos tiempos

Cilindrada:	27,2 cm <sup>3</sup> (1,66 pulg <sup>3</sup> )
Diámetro:	34 mm (1,34 pulg)
Carrera:	30 mm (1,18 pulg)
Potencia del motor según ISO 8893:	0,8 kW (1,1 hp) a 8500 rpm
Marcha en vacío:	2800 rpm
Velocidad de corte (nominal):	10 000 rpm
Velocidad máx. de eje de salida (accesorio de corte)	8600 rpm

### Sistema de encendido

Encendido por magneto electrónico

Bujía(tipo resistencia): NGK CMR 6 H

Distancia entre electrodos: 0,5 mm  
(0,02 pulg)

### Sistema de combustible

Carburador de diafragma de todas posiciones con bomba de combustible integral

Capacidad del tanque de combustible: (0,34 l)  
(11,5 fl.oz)

## Peso

---

### Versiones estándar

seco, sin accesorio de corte y deflector

FS 56: 5,1 kg (11,3 lb)

FS 56 R: 4,7 kg (10,4 lb)

### Versiones con Easy2Start

seco, sin accesorio de corte y deflector

FS 56 C: 5,2 kg (11,6 lb)

FS 56 RC: 4,8 kg (10,7 lb)

## Información de reparación

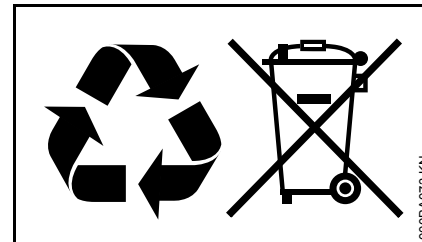
Los usuarios de esta máquina deben efectuar únicamente los trabajos de mantenimiento descritos en este manual. STIHL recomienda que un concesionario de servicio STIHL efectúe los demás trabajos de reparación.

Los reclamos de garantía presentados después de realizadas las reparaciones serán aceptados únicamente si las mismas fueron ejecutadas por un concesionario de servicio autorizado STIHL utilizando piezas de repuesto genuinas de STIHL.

Los repuestos genuinos STIHL se identifican por medio del número de pieza STIHL, el logotipo **STIHL**® y el símbolo de piezas STIHL **GI**. El símbolo aparece solo en algunas piezas pequeñas.

## Desecho

Respete todas las leyes y los reglamentos sobre eliminación de desechos que correspondan a su país.



No se debe botar los aparatos STIHL en el basurero. Lleve el producto, los accesorios y el embalaje a un vertedero autorizado para reciclarlos y contribuir al cuidado del medio ambiente.

Comuníquese con un concesionario de servicio de STIHL para obtener la información más actualizada sobre la eliminación de desechos.

## Declaración de garantía de STIHL Incorporated sobre sistemas de control de emisiones según normas Federales

### No para California

#### Sus derechos y obligaciones de garantía

La Agencia de Protección del Medio Ambiente (EPA) de los EE.UU. y STIHL Incorporated se complacen en explicarle la garantía del sistema de control de emisiones instalado en el motor de su equipo. En los EE.UU., los nuevos motores pequeños para equipos de uso fuera de carretera modelos 1997 y posteriores deben estar diseñados, construidos y equipados, al tiempo de la venta, de conformidad con los reglamentos de la EPA de los EE.UU. para los motores pequeños de uso fuera de carretera. El motor del equipo debe carecer de defectos en el material y la fabricación que puedan causar el incumplimiento de las normas de la EPA de los EE.UU. durante los primeros dos años de uso del motor a partir de la fecha de compra por el último comprador.

STIHL Incorporated debe garantizar el sistema de control de emisiones en el motor pequeño para uso fuera de carretera por el intervalo mencionado más arriba, siempre que dicho motor no haya estado sujeto a maltrato, negligencia o cuidado inapropiado.

El sistema de control de emisiones de su máquina incluye piezas tales como el carburador y el sistema de encendido. Además puede incluir mangueras, conectores y otros conjuntos asociados con el control de emisiones.

En los casos de existir una condición amparada bajo garantía, STIHL Incorporated reparará el motor pequeño para equipo de uso fuera de carretera sin costo alguno, incluido el diagnóstico (si el trabajo de diagnóstico fue realizado por un concesionario autorizado), las piezas y la mano de obra.

#### Cobertura de garantía del fabricante

En los EE.UU., los motores pequeños para equipos de uso fuera de carretera modelos 1997 y posteriores también están garantizados por dos años. En el caso de encontrarse defectos en cualquiera de las piezas del motor relacionadas con el sistema de control de emisiones, la pieza será reparada o sustituida por STIHL Incorporated sin costo alguno.

#### Responsabilidades del usuario relativas a la garantía

Como propietario de motor pequeño para equipo de uso fuera de carretera, usted tiene la responsabilidad de realizar el mantenimiento requerido descrito en su manual de instrucciones. STIHL Incorporated le recomienda guardar todos los recibos comprobantes de los trabajos de mantenimiento hechos a su motor pequeño para equipo de uso fuera de carretera, pero STIHL Incorporated no puede negar garantía basado en el solo hecho de faltar los

recibos o del incumplimiento del propietario de realizar todos los trabajos de mantenimiento programados.

El uso de cualquier pieza de repuesto o servicio cuyo comportamiento y durabilidad sean equivalentes está permitido en trabajos de mantenimiento o reparación no contemplados en la garantía, y no reducirá las obligaciones de la garantía del fabricante del motor.

Sin embargo, como propietario del motor pequeño para equipo de uso fuera de carretera usted debe ser consciente de que STIHL Incorporated puede negarle cobertura de garantía si dicho motor o una pieza del mismo ha fallado debido a maltrato, descuido, mantenimiento inadecuado o modificaciones no autorizadas.

Usted es responsable de llevar el motor pequeño para equipo de uso fuera de carretera a un centro de servicio STIHL tan pronto surja el problema. Las reparaciones bajo garantía serán realizadas en un tiempo razonable, sin exceder de 30 días.

Ante cualquier duda respecto a sus derechos y responsabilidades bajo esta garantía, sírvase contactar al representante de atención al cliente STIHL llamando al 1-800-467-8445, o si lo prefiere puede escribir a

STIHL Inc.,  
536 Viking Drive, P.O. Box 2015,  
Virginia Beach, VA 23450-2015 EE.UU.

[www.stihlusa.com](http://www.stihlusa.com)

#### Cobertura por STIHL Incorporated

STIHL Incorporated garantiza al último comprador y a cada comprador subsiguiente que el motor pequeño para



equipo de uso fuera de carretera está diseñado, construido y equipado, al tiempo de la venta, de conformidad con todos los reglamentos aplicables. Además, STIHL Incorporated garantiza al comprador inicial y a cada comprador subsiguiente que el motor está libre de defectos en el material y fabricación que puedan causar el incumplimiento de los reglamentos aplicables durante un período de dos años.

### Período de garantía

El período de garantía comienza en la fecha en que el motor del equipo utilitario es entregado a usted y usted firma y remite la tarjeta de garantía a STIHL.

Si cualquier componente relacionado con el sistema de control de emisiones está defectuoso, el mismo será sustituido por STIHL Incorporated sin costo alguno para el propietario. Cualquier pieza garantizada cuyo reemplazo no está programado como mantenimiento requerido, o que debe recibir únicamente inspección regular en el sentido de "reparar o sustituir según sea necesario", estará garantizada por el período de garantía. Cualquier pieza cuyo reemplazo está programado como mantenimiento requerido estará garantizada por el intervalo hasta el primer punto de reemplazo programado para esa pieza.

### Diagnóstico

Como propietario, a usted no se le debe cobrar la mano de obra por los diagnósticos que determinen que una pieza garantizada está defectuosa. No obstante, si usted reclama garantía para un componente y se comprueba que la

máquina no está defectuosa, STIHL Incorporated le cobrará el costo de la prueba del sistema de control de emisiones. El trabajo de diagnóstico mecánico se realiza en un centro de servicio autorizado por STIHL. La prueba del sistema de control de emisiones se realiza ya sea en la fábrica de STIHL Incorporated o en un laboratorio de ensayos independiente.

### Trabajo bajo garantía

STIHL Incorporated reparará los defectos amparados por la garantía en cualquier estación de garantía o centro de servicio autorizado por STIHL. Todo trabajo de este tipo se hará gratis para el propietario siempre que se determine que la pieza cubierta por la garantía está defectuosa.

Se puede usar cualquier pieza de repuesto aprobada por el fabricante o equivalente en las piezas relacionadas con el sistema de control de emisiones, y debe ser suministrada gratis al propietario. STIHL Incorporated es responsable por daños a otros componentes del motor causados por la falla de una pieza garantizada que todavía está bajo garantía.

La lista siguiente define específicamente las piezas garantizadas y relacionadas con las emisiones:

- Filtro de aire
- Carburador (si corresponde)
- Bomba de combustible
- Estrangulador (sistema de enriquecimiento de arranque en frío) (si corresponde)

- Varillajes de control
- Múltiple de admisión
- Sistema de encendido por magneto o electrónico (Módulo de encendido o unidad de control electrónica)
- Volante
- Bujía
- Válvula de inyección (si corresponde)
- Bomba de inyección (si corresponde)
- Carcasa del acelerador (si corresponde)
- Cilindro
- Silenciador
- Convertidor catalítico (si lo tiene)
- Tanque de combustible
- Tapa de tanque de combustible
- Línea de combustible
- Adaptadores de línea de combustible
- Abrazaderas
- Sujetadores/pernos

### Dónde presentar el reclamo para servicio bajo garantía

Lleve el producto a cualquier centro de servicio autorizado por STIHL y presente la tarjeta de garantía firmada.

### Requerimientos de mantenimiento

Las instrucciones presentadas en este manual se basan en la aplicación de la mezcla recomendada para motores de 2 tiempos (vea también la instrucción "Combustible"). Las discrepancias de

estas recomendaciones con respecto a la calidad y la proporción de la mezcla de combustible y aceite pueden exigir intervalos de mantenimiento más cortos.

### Limitaciones

Esta garantía de los sistemas de control de emisiones no cubrirá ninguno de los puntos siguientes:

- reparación o sustitución requerida debido a maltrato, negligencia o falta del mantenimiento requerido,
  - reparaciones mal hechas o sustituciones contrarias a las especificaciones de STIHL Incorporated que afecten desfavorablemente el funcionamiento y/o la durabilidad, y las alteraciones o modificaciones no recomendadas o aprobadas por escrito por STIHL Incorporated,
- y
- la sustitución de piezas y otros servicios y ajustes necesarios para el mantenimiento requerido en y después del primer punto de reemplazo programado.

## Declaración de garantía de STIHL Incorporated sobre el control de emisiones de gases de escape y emisiones por evaporación para el Estado de California

### Solamente para California

---

#### Sus derechos y obligaciones de garantía

El Consejo de Recursos del Aire del Estado de California (CARB) y STIHL Incorporated se complacen en explicarle la Garantía del sistema de control de emisiones instalado en el motor de su equipo de uso fuera de carretera para el año 2014 y posteriores.

En California, el equipo nuevo que tiene motores pequeños para uso fuera de carretera debe estar diseñado, construido y equipado de conformidad con las rigurosas normas de contaminación del aire del estado. STIHL Incorporated debe garantizar el sistema de control de emisiones en el motor pequeño para uso fuera de carretera por el intervalo mencionado más arriba, siempre que dicho motor pequeño para uso fuera de carretera no haya estado sujeto a maltrato, negligencia o cuidado inapropiado.

Su sistema de control de emisiones puede incluir piezas tales como el carburador y el sistema de inyección de combustible, el sistema de encendido y el convertidor catalítico. Además puede incluir mangueras, correas, conectores y otros conjuntos asociados con el control de emisiones.

En los casos de existir una condición amparada bajo garantía, STIHL Incorporated reparará el motor pequeño para equipo de uso fuera de carretera sin costo alguno, incluido el diagnóstico, las piezas y la mano de obra.

#### Responsabilidades del fabricante relativas a la garantía

El sistema de control de emisiones tiene una garantía de dos años en California. En el caso de encontrarse defectos en cualquiera de los componentes del motor relacionados con el sistema de control de emisiones, el mismo será reparado o sustituido por STIHL Incorporated sin costo alguno.

#### Responsabilidades del propietario relativas a la garantía

Como propietario de motor pequeño para equipo de uso fuera de carretera, usted tiene la responsabilidad de realizar el mantenimiento requerido descrito en su manual de instrucciones. STIHL Incorporated le recomienda guardar todos los recibos comprobantes de los trabajos de mantenimiento hechos a su motor pequeño para equipo de uso fuera de carretera, pero STIHL Incorporated no puede negar garantía basado en el solo hecho de faltar los recibos o de su incumplimiento de realizar todos los trabajos de mantenimiento programados.

Sin embargo, como propietario del motor pequeño para equipo de uso fuera de carretera usted debe ser consciente de que STIHL Incorporated puede negarle cobertura de garantía si dicho motor o un componente del mismo

ha fallado debido a maltrato, descuido, mantenimiento inadecuado o modificaciones no autorizadas.

Usted es responsable de llevar el motor pequeño para equipo de uso fuera de carretera a un concesionario de servicio STIHL tan pronto surja el problema. Las reparaciones bajo garantía deben realizarse en un tiempo razonable, sin exceder de 30 días. Ante cualquier duda respecto a sus derechos y responsabilidades bajo esta garantía, sírvase contactar al representante de atención al cliente STIHL llamando al 1-800-467-8445, o si lo prefiere puede escribir a

STIHL Inc., 536 Viking Drive,  
P.O. Box 2015,  
Virginia Beach, VA 23450-2015 EE.UU.

www.stihlusa.com

### **Cobertura por STIHL Incorporated**

STIHL Incorporated garantiza al último comprador y a cada comprador subsiguiente que el motor pequeño para equipo de uso fuera de carretera está diseñado, construido y equipado, al tiempo de la venta, de conformidad con todos los reglamentos acerca de emisiones aplicables.

Además, STIHL Incorporated garantiza al comprador inicial y a cada comprador subsiguiente que el motor está libre de defectos en el material y fabricación que puedan causar el incumplimiento de los reglamentos acerca de emisiones aplicables durante un período de dos años.

### **Período de garantía contra defectos**

Los períodos de garantía comenzarán el día en que el motor de equipo utilitario es comprado por el comprador inicial. Si cualquier componente relacionado con el sistema de control de emisiones está defectuoso, el mismo será sustituido por STIHL Incorporated sin costo alguno para el propietario.

No se permite usar componentes adicionales o modificados que no hayan sido eximidos por el Consejo de Recursos del Aire (CARB). El uso de cualquier componente adicional o modificado no eximido será motivo para la denegación del reclamo bajo garantía. STIHL Incorporated no es responsable por las fallas de los componentes garantizados causadas por el uso de un componente adicional o modificado no eximido.

La garantía de los componentes relacionados con el control de emisiones se interpretará de la manera siguiente:

1. Cualquier componente garantizado cuyo reemplazo no está programado como mantenimiento requerido en las instrucciones escritas requeridas en la Lista de Piezas bajo la Garantía de Control de Emisiones (vea más abajo) debe garantizarse por el período de garantía definido en la subsección COBERTURA POR STIHL INCORPORATED, vea más arriba. Si uno de estos componentes falla durante el período de garantía, el fabricante debe reparar o sustituir el mismo de acuerdo con la

subsección (4) más abajo. Un componente reparado o sustituido bajo la garantía debe garantizarse durante el resto del período de garantía.

2. Cualquier componente garantizado que solamente debe inspeccionarse periódicamente de acuerdo con las instrucciones escritas requeridas en la Lista de Piezas bajo la Garantía de Control de Emisiones (vea más abajo) debe garantizarse por el período de garantía definido en la subsección COBERTURA POR STIHL INCORPORATED, vea más arriba. Una declaración en las instrucciones escritas tal como "reparar o sustituir según sea necesario" no acortará el período de cobertura de garantía. Un componente de este tipo reparado o sustituido bajo la garantía debe garantizarse durante el resto del período de garantía.
3. Cualquier componente garantizado que debe sustituirse como un elemento de mantenimiento requerido en las instrucciones escritas requeridas por la lista de piezas bajo la garantía de control de emisiones (vea más abajo) debe garantizarse por el intervalo antes del primer punto de sustitución programado para este componente. Si el componente falla antes del primer punto de sustitución programado, el fabricante del motor debe reparar o sustituir el mismo de acuerdo con la subsección (4) más abajo. Un componente de este tipo reparado o sustituido bajo la

garantía debe garantizarse durante el resto del periodo de garantía antes del primer punto de sustitución programado para el componente.

4. La reparación o sustitución de cualquier componente garantizado debe llevarse a cabo en una estación de reparaciones bajo garantía sin costo alguno para el propietario.
5. No obstante lo expuesto en la subsección (4) de arriba, los servicios o las reparaciones bajo garantía pueden obtenerse en todos los centros de distribución del fabricante autorizados para dar servicio a los motores en cuestión.
6. Al propietario no se le debe cobrar el trabajo del diagnóstico que establece que el componente garantizado es de hecho defectuoso, a condición de que tal trabajo de diagnóstico se realice en una estación de reparaciones bajo garantía.

#### **Trabajo bajo garantía**

STIHL Incorporated reparará los defectos amparados por la garantía en cualquier estación de garantía o centro de servicio autorizado por STIHL. Todo trabajo de este tipo se hará gratis para el propietario siempre que se determine que la pieza cubierta por la garantía está defectuosa. Se puede usar cualquier pieza de repuesto aprobada por el fabricante o equivalente para el mantenimiento o la reparación de los componentes relacionados con el sistema de control de emisiones, y la misma debe ser suministrada gratis al

propietario. STIHL Incorporated es responsable por daños a otros componentes del motor causados por la falla de una pieza garantizada que todavía está bajo garantía.

#### **Lista de piezas bajo la garantía de emisiones**

Filtro de aire, carburador (si corresponde), bomba de combustible, estrangulador (sistema de enriquecimiento para arranque en frío) (si corresponde), varillajes de control, múltiple de admisión, sistema de encendido por magneto o electrónico (Módulo de encendido o unidad de control electrónica), volante, bujía, válvula de inyección (si corresponde), bomba de inyección (si corresponde), carcasa del acelerador (si corresponde), cilindro, silenciador, convertidor catalítico (si corresponde), tanque de combustible, tapa de combustible, tubería de combustible, adaptadores de tubería de combustible, abrazaderas, fijaciones.

#### **Dónde presentar el reclamo para servicio bajo garantía**

Lleve el producto de STIHL a cualquier concesionario de servicio autorizado por STIHL y presente la tarjeta de registro de producto STIHL firmado o la copia impresa del registro electrónico del producto.

#### **Limitaciones**

La reparación o la sustitución de cualquier componente garantizado y normalmente abarcado por la garantía se puede excluir de la garantía si STIHL Incorporated demuestra el maltrato, negligencia o mantenimiento incorrecto

del producto de STIHL, y que tal maltrato, negligencia, o mantenimiento incorrecto era la causa directa de la necesidad de reparación o sustitución del componente. A pesar de lo anterior, el ajuste de un componente que tiene un dispositivo limitador instalado en fábrica y funcionando correctamente no perjudicará la cobertura bajo garantía.

## Marcas comerciales

### Marcas registradas de STIHL

STIHL®

**STIHL®**



La combinación de colores anaranjado-gris (Números de registro EE.UU. 2,821,860; 3,010,057, 3,010,058, 3,400,477; y 3,400,476)



AutoCut®

EASYSTART®

FARM BOSS®

iCademy®

MAGNUM®

MasterWrench Service®

MotoMix®

OILOMATIC®

Rock Boss®

STIHL Cutquik®

STIHL DUROMATIC®

STIHL Quickstop®

STIHL ROLLOMATIC®

STIHL WOOD BOSS®

TIMBERSPORTS®

WOOD BOSS®

YARD BOSS®

### Algunos de las marcas comerciales de STIHL por ley común



4-MIX™

BioPlus™

Easy2Start™

EasySpool™

ElastoStart™

Ematic™

FixCut™

HT Plus™

IntelliCarb™

Master Control Lever™

Micro™

Pro Mark™

Quad Power™

Quiet Line™

STIHL Arctic™

STIHL Compact™

STIHL HomeScaper Series™

STIHL Interchangeable Attachment Series™

STIHL M-Tronic™

STIHL MiniBoss™

STIHL MotoPlus 4™

STIHL Multi-Cut HomeScaper Series™

Stihl Outfitters™

STIHL PICCO™

STIHL PolyCut™

STIHL PowerSweep™

STIHL Precision Series™

STIHL Protech™

STIHL RAPID™

STIHL SuperCut™

STIHL Territory™

TapAction™

TrimCut™

Esta lista de marcas comerciales está sujeta a cambios.

Queda terminantemente prohibido todo uso de estas marcas comerciales sin el consentimiento expreso por escrito de ANDREAS STIHL AG & Co. KG, Waiblingen.





 **WARNING**

The engine exhaust from this product contains chemicals known to the State of California to cause cancer, birth defects or other reproductive harm.

 **ADVERTENCIA**

El gas de escape del motor de esta máquina contiene productos químicos que en el estado de California son considerados como causantes de cáncer, defectos de nacimiento u otros efectos nocivos para los órganos de la reproducción.

0458-547-8621-D

englisch / spanisch USA



[www.stihl.com](http://www.stihl.com)



0458-547-8621-D