

Quick Install

The Quick Install feature enables the installer to easily setup the PRU+ / PID set and have the PRU+ determine if the setup is completed. The Quick Install feature is designed to prompt the installer for any setup requirements that have not been met. Once all the criteria has been met the unit will automatically call into the Central Computer and pick up it's final configuration settings.

The Quick Install will display different messages depending on what is still required. The PRU+ will scan the list of requirements and prompt for the next one needed. The list is as follows:

1. Telephone Line is present
2. AC is connected
3. PRU+ Case is closed
4. PID has transmitted / PID has been received by PRU+
5. PID has transmitted with a Strap Severe ok indication
6. PID has transmitted with a Case ok indication
7. PID has transmitted with a Battery ok indication

Once these conditions have been met the PRU+ will indicate that everything is ok and will call the Central Computer. If the PRU indicates "Call Successful" the installation is complete.

Motion Sensor

The Platinum Plus Receiver (PRU+) contains a sensor which will report motion if the receiver is moved by the participant once it has been installed. Normal household activities could cause movement such as the receiver being bumped or being moved to clean.

When the PRU+ senses motion, it will immediately record a motion event. In order to move the receiver any distance it would be necessary for the participant to disconnect both the AC power and telephone. If the receiver records a Telephone Disconnect, Telephone Connect, AC Disconnect and/or AC Connect event within two (2) minutes before or after an motion event, the motion event will be recorded as an "Alarm Motion". If there is no Telephone or AC message, the motion event will be recorded as an "..info motion" message.

The following examples show various ways the motion is reported and when a motion alarm would be reported:

- A. An AC or telephone event occurs, then within two minutes a motion event occurs, the receiver will report the following:

<u>Event reported</u>	<u>Explanation</u>
Alarm No AC Alarm Motion	- AC was disconnected, no previous motion was recently evident - motion is sensed within 2 minutes of the AC disconnect.

- B. A motion event occurs, there was no prior AC or Telephone related event, the receiver will report the following:

<u>Event reported</u>	<u>Explanation</u>
..Info Motion	- motion was sensed, no previous recent AC or Telephone event.

- C. Motion occurs, then within 2 minutes an AC or Telephone disconnect occurs, the receiver will report the following:

<u>Event reported</u>	<u>Explanation</u>
..Info Motion	- motion was sensed, no previous recent AC or Telephone event.
Alarm Tel. Disc.	- the telephone was disconnected from the receiver
Alarm Motion	- the telephone disconnect occurred within 2 minutes of the first motion event

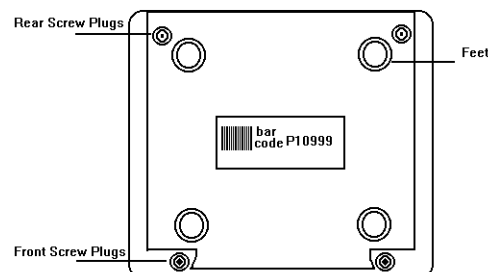
PRU+ / PID Preventive Maintenance

Returned PRU+'s

Physical Checks

1. Check all cables for cut's or breakage.
2. Make sure the AC and Telephone cable connectors are firmly attached to their cords and are not broken. Also check that any connector pins are not bent.
3. Check Power Connector Jack at the back of the PRU+. The Power Jack should be flush with the outside case and should not move when pulled upon. The Power Jack should also have one copper pin inside each of the two sections of the connector.
4. Check Telephone Connector Jacks at the back of the PRU+. The Two Telephone Jacks should be aligned with the two holes in the back of the PRU+ and should be clear of any foreign material. Remove any foreign material found if possible. If the foreign material can not be removed send the unit back to STRATEGIC for repair.
5. If a PRU+ is dirty or has any foreign substance on it, wipe the entire PRU+ with a damp cloth. If the dirt is still attached take isopropyl alcohol and rub to remove. If Isopropyl Alcohol is not available, spray the PRU+ lightly with Lysol to disinfect.
6. Check the screw plugs underneath the PRU+ for pry marks or gouges. The screw plugs are located next to the rubber feet at the back of the unit and on the raised ledge at the front of the unit. (See Figure 4 : Underneath a PRU+)

Figure 7 : Underneath a PRU+

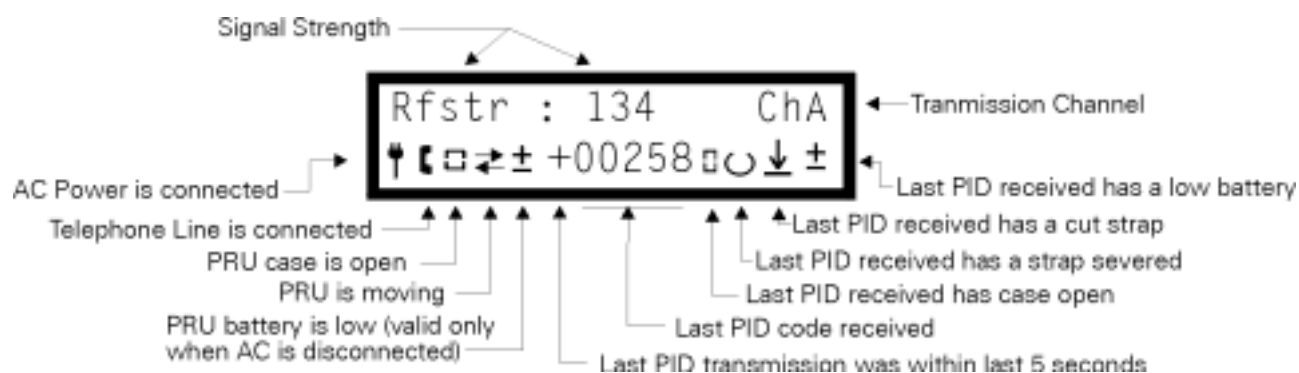


7. Check all labels to make sure they haven't been severely scratched or damaged in any way. Send unit back for replacement of any label that shows any sign of damage. Replacement Labels can be obtained from STRATEGIC.
8. Check that the front display is not physically damaged including the label cover.

Electrical Checks

1. Plug the unit into the AC Power and make sure that the AC light comes on. If the unit needs charging the Charge Light should come on. Leave the unit plugged into AC until the charge light goes out. This should also be done to all PRU+'s that are stored for longer than one month. The battery inside the PRU+ can be damaged by leaving it in a discharged state.
2. The front display should display the PRU+ Serial Number / PID Code. The Display will then show the current date and time. If any of these numbers are incorrect, Change them to the right values by using Extended Special Function Mode (As Described on Page 38).
3. Using Special Function Mode on a PRU+ enter Test Mode and check the AC and Telephone Disconnect by unplugging the cables from their respective outlets (For more Information concerning Test Mode consult Page 33).

Figure 8 : Test Mode Display



4. The stored events should be erased each time the unit is changed from one participant to another. Be careful because once the events have been erased they can never be retrieved. To erase the events, enter Special Function Mode and step through the functions until B=Clear Events appears. Push button B once. The display will then prompt A=** Clear ** Press A to erase the events. Once the events have been erased "Events Cleared" will be displayed.
5. If the unit was used as a passive unit or previously had it's phone number changed, check the phone number. Use Extended Special Function Mode to change the phone number back to the original number. (For More Information on accessing Extended Special Function Mode see Page 38)

Returned PID's

Physical Checks

Figure 9 : The Underneath of a PID



1. Check for damages to the PID plastic (If any PID is damaged, return to STRATEGIC for repair)
 - a. PID latching bars are broken or stressed
 - b. Cracked seam at sealing edge.
 - c. Bent strap contact pins.
 - d. Pry marks on PID edge.

2. Cleaning PID's
 - a. Put the battery into the PID with an O-Ring on it so that water will not leak into the battery compartment.
 - b. While holding the battery in with your thumb scrub the PID with a soft bristle brush under running water (using anti-bacterial soap) and dry with paper towel.
 - c. Use a fine tipped brush (under running water) to clean the latching bar area on the bottom of the PID.
 - d. Clean surface of the PID with isopropyl alcohol for further sanitary protection.

Electrical Tests

Testing a PID

1. All PID's may be tested by using a PRU+

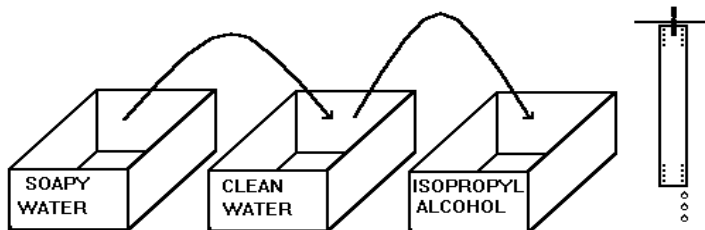
2. Testing PID's with a PRU+
 - a. Put the battery into the PID under test. (See Install the battery on Page 18, 20, 25, 28, 33)
 - b. Find the PID code (See Figure 6 : The Underneath of a PID Page 47)
 - c. Enter Special Functions Mode by using a LOCK.
 - d. Step through Special Function Mode until "B= Test Mode" appears.
 - e. Push button B. The PRU+ is now in test mode. (See Figure 5 : Test Mode Display Page 42).

- f. Watch for the PID code to appear in the right lower half of the display. This indicates the PID is transmitting.

Returned Straps

1. Setup three cleaning containers as seen in Figure 8: Strap Cleaning. The first container has soapy water. The second container has clean water. The third container has isopropyl alcohol.

Figure 11 : Strap Cleaning



2. Place the dirty straps into the soapy water. Scrub the strap to remove any dirt/grime.
3. Once the strap is clean, rinse the strap in the clean water.
4. Disinfect the strap by placing it into the Isopropyl Alcohol. If Isopropyl Alcohol is not available, spray the strap lightly with Lysol to disinfect.
5. To dry, hang the strap up or place on a paper towel.

Individual Status Log Report

When a PRU+ calls the Central Computer (CC) the transferred information is stored in an Individual Status Log on the CC. Each participant has a unique ID that is used to identify the participant. The report will indicate all activity of the participant.

The Events generated by the PRU+ are recorded as follows:-

Events

Event	Type	Description
..info sch. call	Info	The PRU+ made a scheduled call
..info cc busy	Info	The PRU+ called the CC, but the line was busy
..info no dialtone	Info	The PRU+ attempted a call, but the line was off-hook
..info no connect	Info	The PRU+ dialled but did not connect to the CC
..info comm error	Info	The PRU+ connected to the CC but the call was interrupted or terminated by excessive line noise
ALARM NO AC	Alarm	The PRU+ was disconnected from AC power
..cont no ac	Cont	Indicates a continuing disconnection from AC power
..info ac ok	Clear	AC power was restored to the PRU+
ALARM PRU CASE OPEN	Alarm	The PRU+ case has been opened or severely damaged.
..cont pru case open	Cont	Indicates a continuing tamper condition
..info pru case ok	Clear	The PRU+ case has been closed or corrected
ALARM TEL DISC	Alarm	The PRU+ was disconnected from the telephone line
..info tel conn	Clear	The PRU+ was reconnected to the telephone line
ALARM TAMPER/SEVER	Alarm	The PID strap has been completely cut or not reset
..cont tamper/sever	Cont	Indicates a continuing strap sever
..info tmp/sever ok	Clear	The strap circuitry has been reset with LOCK again
ALARM PIU/PID TAMPER	Alarm	The PID strap has been partially cut or tampered with
..cont piu/pid tamper	Cont	Indicates a continuing strap tamper
..info piu/pid tmp ok	Clear	The strap circuitry has been reset with a LOCK again
ALARM PID CASE OPEN	Alarm	The PID's case has been opened
..cont pid case open	Cont	Indicates a continuing pid case open
..info pid case ok	Clear	The case has been closed
ALARM LOW PIU/PID BAT	Info	The PID battery is low or improperly installed
..cont low piu/pid bat	Cont	Indicates a continuing low pid battery
..info piu/pid batt ok	Info	The PID is indicating the low battery has been corrected
ALARM LOW PRU BATT	Alarm	The battery in the PRU+ is low. The PRU+ will stop monitoring unless it is plugged into AC power.
..cont low pru batt	Cont	Indicates a continuing PRU+ low battery

..info pru batt ok	Clear	The PRU+ is indicating the low battery has been corrected.
..info enter	Info	Non-Violation presence
..info leave	Info	Non-Violation absence
..info PRU Reset	Info	The PRU+ has been reset or turned on after total loss of power
ALARM AWAY	Alarm	Unauthorized absence
..cont away	Cont	Indicates a continuing unauthorized absence
..info enter ok	Clear	The participant has entered after an unauthorized absence
ALARM ENTER	Alarm	Unauthorized presence.
..cont here	Cont	Indicates a continuing unauthorized presence
..info leave ok	Clear	The participant has left after an authorized presence
ALARM PENDANT	Alarm	The Victims pendant has transmitted. (See Domestic Violence Deterrent Program)
ALARM PANIC BUTTON	Alarm	The Panic Button attached to the PRU+ has been pressed. (See Domestic Violence Deterrent Program)
ALARM MOTION	Alarm	The PRU+ has been moved while being unplugged from AC Power
..info motion	Info	The PRU+ has been moved
..info motion ok	Clear	The PRU+ has stopped moving
ALARM PRU OVERDUE	CC	The PRU+ has not called in to the CC at the scheduled check-in time
..info events cleared	Info	The events have been cleared on a PRU+
..info inFunctionMode	Info	The PRU+ has been put into Special Function Mode by the KEY
..info pru power down	Info	The PRU+ has been turned off while in Special Function Mode
..info mess. receiv.	Info	The Participant has seen the message sent to the PRU. (ie Participant has pressed "A" to receive message)
..info auto page	CC	A pager alarm notification was sent
..info pd changed	CC	The participant personal data was changed
..info sd/cd changed	CC	The participant sentence / curfew data was changed
..info cc changed	CC	The participant curfew comments were changed
..info log comment	CC	A comment manually entered into the log by an operator

Event Type Definitions

The event type describes when each event calls the Central Computer and the priority assigned to that event (see Events Generated for the Individual Status Log above).

- Alarm - These events indicate a violation has occurred that needs immediate attention. These events are called into the Central Computer immediately.
- Clear - These events indicate a violation has been resolved. These events are called into the Central Computer immediately.
- Info - These events are for your information only or they do not need immediate attention. These events are NOT called into the CC immediately except for ..info RU Reset.
- CC - These events are generated by the Central Computer.

Explanation of the Individual Status Log Report

The Central Computer will print out the reports for each participant in the following format:-

```

          SureTrac ID
          /
         /
        /
       /
      /
     /
    /
   /
  /
 /
/
Individual Status Log Report
SureTrac ID: 81443:STI   JONES, FRED   Officer Name
                  Officer: JIM LADD

----- Event Time -----      ---- Event ----      -Time Received-      -- Next Call --
02/18/97-Tue CST 15:19  ..info RU Reset      02/18/97 15:24      02/19/97 07:10
                  15:19  ..info no dialtone
                  15:28  ALARM NO AC          02/18/97 15:30      02/19/97 04:46
                  -- Response --

          NOTIFICATION VIA REPORTS

          By: Tonya
          At: 02/18/97 15:34

          Both Events were received at 02/18/97 15:24
    
```

- SureTrac ID (81443) : Unique Number assigned to each participant by the monitoring center
- Group Code (STI) : Code that identifies all participants from an agency or group. It is assigned by the monitoring center.
- Participant (Fred Jones) : Participants name
- Officer (Jim Ladd) : Supervision Officer
- Event Time : The time the event occurred (uses the PRU+ time).
- Event : Type of Event that occurred. Please refer to Individual Status Log Report on Page 50
- Time Received : Date and Time the event was received by the Central Computer (CC time used). The report will group events that are received at the same time. This is independent of the event time. It will then display the collective time received at the top of the group.
- Next Call : Date and Time of the next schedule call. The next call will be at this time unless a violation (ALARM) occurs.

Report Reading Techniques

Individual Log Reports provide the officer with feedback regarding each participant monitored. They provide detailed information on the activities of the participant. It is important that every officer have a complete understanding on how reports are generated and read.

The system is extremely thorough in the number of events that are reported. The information can be very valuable in determining the offenders' activities. Due to the attention to detail, some reports are difficult to read unless the user is aware of the philosophy to use when reading them.

1. PRU+ events are placed into the log file in the same order they are received.

When the PRU+ communicates with the Central Computer the events that were stored are transferred in the same order they were recorded. ie. No sorting is done on the data received.

2. Report Filters

Reports can be generated using filters that can remove certain types of events from being printed. These filters are usually used to remove any information that is either not desired by the officer or only adds complexity to the report. Please consult your monitoring center on the type of alarms that are included in your reports.

3. Multiple events can be sent to the CC during a phone call.

All events that are stored within the PRU+ will be sent to the CC when the PRU+ makes a successful call. The officer can denote which events have been sent on each call because the first event in the list will have a time received/ next call header. Non-violation events (See Event Type Definitions on Pg.) will not be sent to the CC immediately but will be stored until the next time the PRU+ calls the Central Computer.

4. Events have standardized formats

All Alarm indications are in capitals (ie ALARM AWAY). All Clear messages that indicate an alarm has been resolved end with ok (ie ..info enter ok). Info events are for your information and are in lower case.

5. The leave window affects when the PRU+ calls in with alarms.

The PRU+ will not record an ALARM AWAY / ..info leave until the leave window has been exceeded. At this time, the PRU+ will generate an ALARM AWAY / ..info leave with a time that reflects the last time the PRU+ received a transmission from the PID (ie the event is back dated by the length of the leave window). Leaves that occur around the time of the curfew boundary will use the curfew at the time the event was generated.

6. Communication Errors are combined. (if alike)

Whenever communication errors (ie ..info cc busy, ..info no dialtone, ..info no connect or ..info comm error) occur back-to-back that are the same type the PRU+ automatically combines the communication error into one event. This is designed to save on storage space inside the PRU+.

7. The PRU+ determines curfew violations

The PRU+ receives a curfew model from the Central Computer. When the curfew is violated the PRU+ will call into the Central computer and report the alarm.

Frequently Asked Questions

1. *Can an answering machine be used with the PRU+?*

An answering machine will not, as a general rule, affect the operation of the equipment. Although, depending on the quality of the answering machine it may load the line or create an unsuitable line condition that could cause problems with PRU+ communications.

2. *Can the PRU+ work with call waiting and call notes?*

No, these services interrupt the unit while it is making outgoing calls. They should be removed.

3. *Will the computer call the PRU+ and when?*

The Central Computer never calls the PRU+. The PRU+ initiates all communications with the host computer. The Call Overdue alarm indicates when the PRU+ has not checked in on time to the Central Computer.

5. *Will light switches affect the PRU+?*

A light switch will only affect the PRU+ if the switch controls the electrical power to the outlet the PRU+ is connected. When the switch is turned off it will disconnect the PRU+ from AC power. This will cause a NO AC alarm to be reported to the Central Computer.

6. *Will the PRU+ operate if connected to a modem on a computer?*

A computer modem may interfere with the operation of the PRU+ if it is using the phone line when the PRU+ needs to make a call to the CC. Also, if the computer modem has the auto answer setting enabled it will interfere with all calls.

7. *Will the PRU+ operate when the phone line from the system is connected to a jack shared by a satellite system?*

Most satellite systems have been found to interrupt the unit from making outgoing calls

9. *Will the unit listen to personal phone conversations?*

The PRU+ has no capability to tape phone conversations

10. *Can the offender tamper with the A/B buttons, and manipulate the function mode commands within the PRU+?*

The A/B buttons will only function when the PRU+ is in Special Function Mode. The only way to access Special Function Mode is by using the LOCK.

11. *Can the PID be placed in water, or does it have to be wrapped in plastic?*

The PID is completely waterproof for normal bathing activity.

12. *Can the PRU+ provide 24 Hour battery backup?*

As soon as there is an interruption in power, the PRU+ will immediately switch to the backup battery. This battery lasts for approximately 24 hours.

13. *Can two PRU+ systems be placed in a home simultaneously?*

You may place two units in the same residence. You must assure that the two PID's have different transmitter codes. This will allow each PRU+ to monitor each offender independently. You may encounter some communication errors due to both units communicating across the same phone line. You may also experience some short leaves / enters if both PID's transmit at the same time

14. *Does the PRU+ system need to be programmed for it to be used passively?*

The PRU+ will only need to be programmed if the line that the PRU+ will call out on has to dial a different number (IE additional digits to access an outside line). See the Extended Function Mode section in the Platinum Series User Guide for information on how to change the telephone number.

15. *Do the PRU+ units instantly receive schedule changes when the officer calls in a curfew change?*

The PRU+ will only pickup the curfew model when the unit calls into the CC.

16. *Can the PRU+ be placed directly on the floor of a offenders home?*

The unit must be placed at least three feet above the floor.

Trouble-Shooting

PRU Tips

PROBLEM : CC Busy (2)

SOLUTION

1. All lines at the monitoring center are busy. The PRU+ will re-attempt the call in varying intervals (Or you can force another call attempt immediately).

PROBLEM : No Dialtone (3)

SOLUTION

1. Check the phone line has a valid dialtone.
2. Check that there are no telephone services that eliminate or alters the dialtone.
3. Assure no one is using the phone line while the PRU is attempting a call.
4. Use Passive Mode to monitor the offender. (See Passive Mode in the Platinum Series User Guide)

PROBLEM : No Connect (4)

SOLUTION

1. Check that the phone line is connected to the LINE jack on the back of the PRU+. The LINE jack is directly above the AC connector.
2. Check the phone number in the PRU+ (See the Extended Special Function Mode section in Platinum Series User Guide) is correct.
3. Dial the phone number using a phone and check that it is possible to call the CC from that location.
4. Check that the phone line is capable of rotary (pulse) dialling. If not, switch the dial mode on the PRU+ to Tone.

PROBLEM : Communication Error (5)

SOLUTION

1. Re-try the call attempt and assure that the call is not interrupted by anyone in the residence (ie. while the PRU+ displays "Telephone in Use" assure that no one picks up the phone.)
2. Remove any extra devices attached to the phone line (ie. Answering machine, fax machine, computer) to eliminate these as possible sources of the problem.
3. Remove any telephone services that may interfere with the PRU+ communications. (ie call waiting, call notes)

PROBLEM : The unit will not phone in on initial call-in

SOLUTION :

1. Enter Test Mode and check if the Tel. Symbol is present.

2. If the Tel symbol is not present
 - Check the cable is plugged into the phone line
 - b. Check the connectors on the cable (both ends)
 - c. Check that the tel cable is plugged into the LINE jack on the PRU+ (directly above the AC connector)
The PRU+ will not display the tel symbol if it is plugged into the PHONE jack.
 - d. Attach a phone to the same phone line and check if a dial tone is present.
5. Dial a number and check if the line is working.
3. If the Tel symbol is present.
 1. Refer to the communication error that occurred (ie No Connect (4), No Dialtone (3))

PROBLEM : Cockroaches or other foreign material in the unit

SOLUTION:

1. Return the equipment to STI for repair

PROBLEM : Multiple ..info RU Reset on the CC report

SOLUTION:

1. If the resets occur after a call is initiated (ie during a call attempt).
 1. The PRU+ will give a reset message if a critical error occurs during a phone call.
These messages can be ignored or considered telephone communication errors.
2. Return Unit to STI for repair

PROBLEM : PRU locks up in Run Mode

SOLUTION :

1. Is the date correct? Is the date incrementing?
 1. If not, Return Unit to STI for repair.
2. Will a LOCK enter Special Function Mode?
 - a. Is the LOCK working? Verify that the LOCK is working by using the LOCK on a different PRU.
 2. If not, return Unit to STI for repair
3. Does the PRU+ attempt to call the CC?
 - a. Force a call by causing an alarm that is reported immediately (ie disconnect AC or cause a PID strap or prox alarm)
 - b. If not, return the Unit to STI for repair

PROBLEM : Call Overdue after successful installation

SOLUTIONS

1. Is the unit on? Is the date and time on the display?
 1. Is the AC adapter connected? If not, connect the AC adapter and check that PRU calls into CC
 2. Refer to **PROBLEM : PRU locks up in Run Mode**

2. Is the tel cable connected from the wall outlet to the LINE jack?
 1. Connect tel cable to LINE jack
3. See **PROBLEM : PRU locks up in Run Mode**

PROBLEM : Multiple Telephone Disconnects

SOLUTION

1. Does this happen constantly or only during night?
 1. The telephone company maybe lowering line voltage that causes PRU+ to detect that the telephone has been disconnected.
2. Replace unit it verify that there is nothing wrong with the PRU+.
 1. If the problem persists, monitor offender via Passive Mode.

PID Tips

PROBLEM : Not Transmitting

SOLUTION

3. Check the PID with another PRU+ in test mode to make sure it is not transmitting.
4. Check that the battery is turned fully in the battery compartment.
3. Check the springs in the battery compartment are ok and that the spring tensioner material is under the springs.
4. Make sure no water or other foreign material is in the battery compartment. If water is in the battery compartment
 1. Return the PID to STI for repair
5. Return the PID to STI for repair

PROBLEM : The Strap will not Reset

SOLUTION

1. Check that LOCK is working using LOCK test instruction.
2. Check if the PID metal pins on the underside of the PID are alright
3. Check position of LOCK during reset. Is the LOCK in the correct reset location on the PID.

FVU Tips

PROBLEM : Not Picking Up PID's

SOLUTION

1. Does the FVU have anything on the display?
 1. Replace AA batteries or plug into AC
 2. Return FVU to STI for repair
2. How close is the PID? (the FVU has a free air range of 1100')

1. Is the PID transmitting?
 - i. assure that the PID is transmitting with a PRU+)
3. Does the unit pick up the PIDs with either antenna? (ie the stubby antenna and the mag-mount)
4. If the FVU picks up transmissions with one but not the other
 1. Check the antenna that doesn't pick up transmissions is connected correctly.
 - b. Check the antenna connector is attached ok
 - c. Check the antenna cable (Mag-Mount antenna) is not bent or pinched along its entire length.
5. If the FVU picks up no transmissions from either antenna.
 1. Check the connector on the FVU (make sure that it doesn't move or rotate)

LOCK Tips

PROBLEM : LOCK does not reset the PID

SOLUTION

1. Check the LOCK battery
2. Does the red light come on? If No, Return to STI for repair
3. Try resetting another PID. If the LOCK resets another PID, check PID troubleshooting tips. Otherwise return to STI for repair.

PROBLEM : The LOCK does not allow access to Special Function Mode

SOLUTION

1. Check the LOCK battery
2. Check the LOCK with a different PRU+
3. If the LOCK works on the other PRU+ refer to PRU+ Problems
4. If the LOCK does not work on the other PRU+ return to STI for repair

System Definitions

Alarm.....	An event that needs immediate attention.
Battery (PID)	Proprietary 6V power pack that provides the PID one year of life.
Battery (PRU+).....	There are two batteries in the PRU+. The main battery (lead acid) provides power to the PRU+ when it is disconnected from AC power (life - 24 hours). The memory back-up battery (Lithium) provides power to the event memory and the clock when the PRU+ is switched off (life - one month). Both batteries are re-chargeable.
Case Open (PID).....	Alarm that indicates the PID has been opened or severely damaged.
Case Open (PRU+)	Alarm that indicates the PRU+ has been opened or severely damaged.
CC.....	Central Computer.
Clear	An event that indicates an alarm has been resolved.
CMU.....	Cellular Module Unit. Uses the cellular telephone network to connect the PRU+ to the CC.
Cursor	A block that blinks indicating which number is being edited in Extended Special Function Mode.
Date Format	The order in which the date appears (YMD, DMY, MDY) in run mode.
Dial Mode	The type of dialling the PRU+ will perform when calling the CC.
Downloading	The act of sending information from the PRU+ to the CC
Event.....	An occurrence that is generated by the PRU+ or CC.
Extended Special Function Mode	Accessible by using the LOCK. Used to change internal settings and parameters.
FVU.....	Field Verification Unit. Used to monitor the participant away from the area of confinement.
ID	The number on the CC that identifies each participant.
Info	An event that is for your information or does not require immediate attention.
Interference.....	Radio Frequency noise that affects the communication link between the PRU+ and PID
Leave Time	The time between transmissions before the PRU+ will acknowledge the PID is out of range.

LOCK	Unit Access Controller. This device is used to access Special Function Mode on a PRU+ and is used to reset the strap tamper alarm on a PID.
Locking Pins	Plastic pins that hold the PID and baseplate together.
Memory	The location in the PRU+ where events are stored. The PRU+ can store up to 2500 events.
Passive.....	The ability of the PRU to monitor an participant without being attached to a telephone line.
PID	Personal Identification Device. This device attaches to the participants leg and identifies the presence of the participant to the PRU+.
PRU+	Platinum Plus Receiver Unit Series. This device is placed in the area of confinement and monitors the participants activity via the PID.
PVU.....	Personnel Verification Unit. Used to monitor the participant away from the area of confinement.
Reset (PID).....	The act of clearing the strap sever, strap tamper, pid low battery and pid case open alarm.
Reset (PRU+).....	The act of starting or re-starting the PRU+ in Run Mode.
RSSI.....	Receiver Signal Strength Indication. This is a value between 1 - 255 that indicates the relative distance the PID is located from the PRU+.
RF	Radio Frequency. The method in which the signal is sent from the PID to the PRU+.
Run Mode.....	The area of confinement is monitored in this mode. The display has the date and time on the top line.
Signal	Information sent by the PID
Special Function Mode	Accessible by using the LOCK. Used when installing the PRU+
Strap.....	Band that holds the PID to the participant.
Strap Sever	Alarm that indicates the strap has been completely cut.

Strap Tamper Alarm that indicates the strap has been partially cut or tampered with.

Test Mode Allows installer to view current status of all hardware alarms.