

# ***INSTRUCTION MANUAL***

## **PORTABLE HOME VIDEO SECURITY SYSTEM**





### **2.4 GHz 1.8" Color TFT LCD Monitor With Wireless Camera SG5550**

This product broadcasts over public airwaves and its video and audio signals may be intercepted without your consent.

#### **FOR MORE INFORMATION**

**Before operating the system, please read this manual thoroughly and retain it for future reference.**

	<b>CAUTION</b>	
<b>RISK OF ELECTRIC SHOCK. DO NOT OPEN.</b>		
<b>CAUTION: TO REDUCE THE RISK OF ELECTRIC SHOCK, DO NOT REMOVE COVER (OR BACK). NO USER-SERVICEABLE PARTS INSIDE. REFER SERVICING TO QUALIFIED SERVICE PERSONNEL.</b>		

#### Explanation of two Symbols



The lightning flash with arrowhead symbol, within an equilateral triangle, is intended to alert the user to the presence of uninsulated "dangerous voltage" within the product's enclosure that may be of sufficient magnitude to constitute a risk of electric shock to persons.



The exclamation point within an equilateral triangle is intended to alert the user to the presence of important operating and maintenance(servicing) instructions in the literature accompanying the appliance.

THE GRAPHIC SYMBOLS WITH SUPPLEMENTAL MARKING ARE ON THE BOTTOM OF THE SYSTEM.

**WARNING:** To prevent fire or shock hazard, do not expose this unit to rain, water, or wet locations. Do not insert any metallic object through the ventilation grills.

#### FCC CLASS B NOTICE

##### Note:

This equipment has been tested and found to comply with the limits For a Class B digital device, pursuant to Part 15 of the FCC Rules. These limits are designed to provide reasonable protection against harmful interference in a residential installation. This equipment generates, uses and can radiate radio frequency energy and, if not installed and used in accordance with the instruction, may cause harmful interference to radio communications. However, there is no guarantee that interference will not occur in a particular installation. If this equipment does cause harmful interference to radio or television reception, (which can be determined by turning the equipment off and on), the user is encouraged to try to correct the interference by one or more of the following measures:

- Reorient or relocate the receiving antenna
- Increase the separation between the monitor and the camera.
- Connect the equipment into an outlet on a circuit different from that to which other devices may be connected.
- Consult the dealer or an experienced radio or television technician for help.
- Please review the troubleshooting section of this manual

## SAFETY INSTRUCTIONS

### IMPORTANT SAFEGUARDS

All the safety and operating instructions should be read before the appliance is operated and retained for future reference.

1. **HEED WARNINGS** - All warnings on the appliance and in the operating instructions should be adhered to.
2. **FOLLOW INSTRUCTIONS** - All operating instructions should be followed.
3. **WATER AND MOISTURE** - Do not use this video product near water – for example, a bath tub, wash bowl, kitchen sink, laundry tub or swimming pool, or in a wet basement.
4. **POWER SOURCES** - This product should be operated only from the type of power source indicated on the marking label.
5. **OVERLOADING** - Do not overload outlets and extension cords, which can result in a risk of fire or electric shock.
6. **SERVICING** - Do not attempt to service this product yourself. Opening or removing covers may expose you to dangerous voltage or other hazards. Refer all servicing or repairs to qualified service personnel.
7. **DAMAGE REQUIRING SERVICE** - Unplug this product from the wall outlet and refer servicing or repairs to qualified service personnel under the following conditions:
  - a. When the power supply cord or plug is damaged.
  - b. If liquid has been spilled or objects have fallen into the product.
  - c. If the product has been exposed to rain or water.
  - d. If the product does not operate normally by following the operating instructions. Adjust only those controls that are covered by the operating instructions.
  - e. If the product has been dropped or the cabinet has been damaged.
  - f. When the product exhibits a distinct change in performance.
8. **REPLACEMENT PARTS** - When replacement parts are required, be sure the service technician has used replacement parts that are specified by the manufacturer or have the same characteristics as the original part. Unauthorized substitutions may result in fire, electric shock, or other hazards.
9. **SAFETY CHECK** - Upon completion of any service or repairs to this video product, ask the service technician to perform safety checks to determine if the video product is in proper operating condition.
10. **An appliance and cart combination should be moved with care.**

Do not place this equipment on an unstable cart, stand, or table. The equipment may fall, causing serious injury to a child or adult, and serious damage to the equipment. Wall or shelf mounting should follow the manufacturer's instructions and should be done with a mounting kit approved by the manufacturer.

# TABLE OF CONTENTS

	<b>PAGE</b>
INTRODUCTION & FEATURES.....	1
SYSTEM INCLUDES.....	2
CONTROLS AND FUNCTIONS	
Monitor Controls – Front Panel .....	3
Monitor Controls – Side Panels .....	4
Camera Controls .....	5
Docking Station Controls .....	6
INSTALLATION	
Camera .....	7
Monitor .....	8
SYSTEM OPERATION	
Additional camera connection.....	9
Alarm Alert .....	10
Auto & Manual Viewing Options.....	10
Auto Scanning.....	11
Selectable Dwell Settings.....	11
Connecting The Monitor To A VCR .....	12
OPTIONAL ACCESSORIES .....	13
TROUBLE SHOOTING .....	14
TECHNICAL SPECIFICATIONS .....	15
CARE & MAINTENANCE.....	16

## **INTRODUCTION:**

Thank you for purchasing the 2.4GHz Wireless 1.8" LCD Color Video System. This is an ideal solution for monitoring your child, business or home. The package contains a portable LCD monitor, a 2.4 GHz wireless color camera with Night Vision capability, and a power charging docking station for the monitor.

The system is expandable up to 4 cameras (additional cameras sold separately) with the convenience of auto-sequencing between camera locations. Use the Listen-in Audio feature to pick up sound within a specific location. Avoiding the hassle of running wires, this system is easy to install and operate for your immediate security applications.

The RCA audio/video outputs on the Docking Station allow you to view video on a larger screen, or connect to a VCR for recording purposes.

To learn more about this 2.4GHz Wireless 1.8" LCD Color Video System and our complete range of accessory products, please visit our website at:

## **FEATURES:**

- Portable 2.4 GHz Color wireless camera
- Portable 2.4 GHz receiver handset with a built in 1.8" TFT full color display
- Includes Charging Docking Station with A/V Out
- 4 channel selection
- Built in CDS sensor to turn on IR LED at night time
- Up to 300 feet wireless transmission
- Flexible – move camera & monitor from room to room
- Listen-in audio
- Auto scanning – up to four cameras
- Camera and monitor with AC or battery option
- Compatible with all Lorex 2.4 GHz wireless devices
- Connect up to four cameras (additional cameras sold separately)

**SYSTEM INCLUDES:**



**1.8" LCD screen –  
2.4 GHz Color Monitor**



**2.4 GHz Color Wireless Camera  
with 8 Infra-red emitters**



**Docking Station / Charger  
for Monitor**

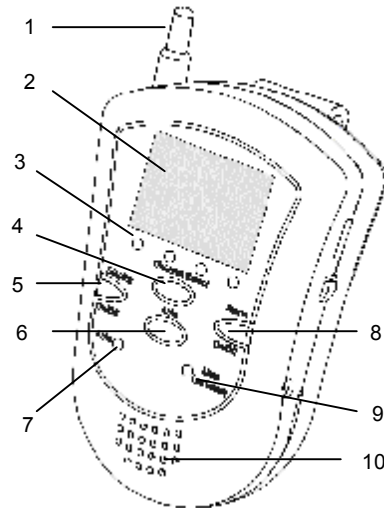


**Owner's Manual**

**Also includes:**

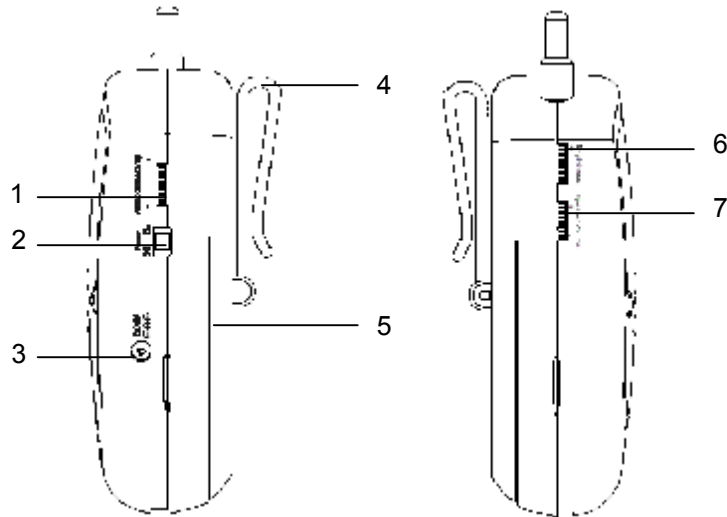
- 1 – 6V DC 300mA Adapter (Camera)  
with battery option (4 "AA", not included)
- 1 – 6V DC 800mA Adapter (Monitor)  
with battery option (4 "AA", not included)
- 1 – RCA Audio/Video Cables
- Mounting hardware for Camera
- Window decals

## MONITOR CONTROLS – FRONT PANEL



1. **2.4GHz Antenna** - High gain dipole antenna receives audio and video signal from the camera.
2. **LCD** - 1.8" Color Screen.
3. **Channel Indicator** - Shows which Channel the monitor is set to (1-4). Channel 1 is represented on the left side - Channel 4 on the right side.
4. **Channel Selector** - Manually switches between channels 1-4.
5. **Display On/Off** - Turns the LCD Screen Display On/Off on the monitor.  
Note: pressing this button turns the monitor to Standby mode. Video will automatically reappear in the event of an Alarm, and Audio remains ON.
6. **Auto Button** - Initiates automatic rotation between channels 1-4. Press this button again to terminate Auto mode.
7. **Auto Indicator** - Illuminates when the system is in Auto mode.
8. **Alarm On/Off** - Press for 2 sec to set the Alarm mode On/Off. For more information on the Alarm feature, please refer to page 10.
9. **Alarm / Low Battery Indicator** - Illuminates when Alarm mode is set, and blinks slowly when the Battery power is low.
10. **Speaker** - Emits sound from the camera location.

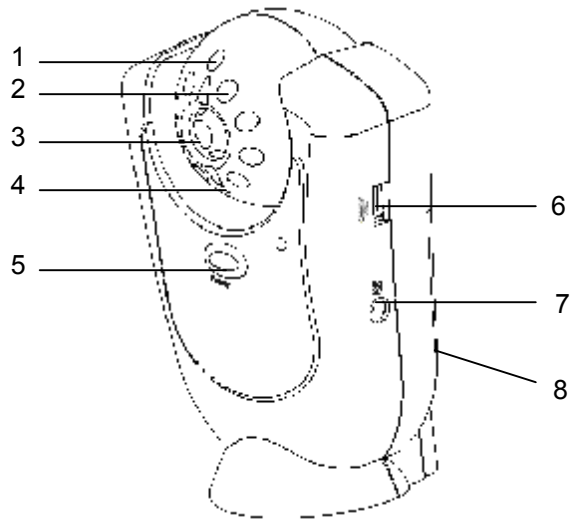
## MONITOR CONTROLS – SIDE PANELS



- 1. Audio Sensitivity** - Sets the sensitivity level for the alarm Audio triggering (refer to page 10 for more information).
- 2. ON/OFF Switch** - Switches the power on the monitor ON or OFF.
- 3. DC Input Jack** - Connect to the supplied 6V DC 800 mA AC adapter. Note: If Power is connected via the Docking Station, this input is not required as the monitor will draw Power from the Docking Station.
- 4. Belt Clip / Stand** - in the upright position, this clip serves as a belt clip for convenient portability. You can also lower this piece to serve as a Stand for the monitor (without the Docking Station).
- 5. Battery Compartment** – Requires 4 “AA” Batteries (not included).
- 6. Brightness Control** - Allows you to adjust the brightness of the picture.
- 7. Volume Control** – Turn this dial to adjust the volume on the monitor.

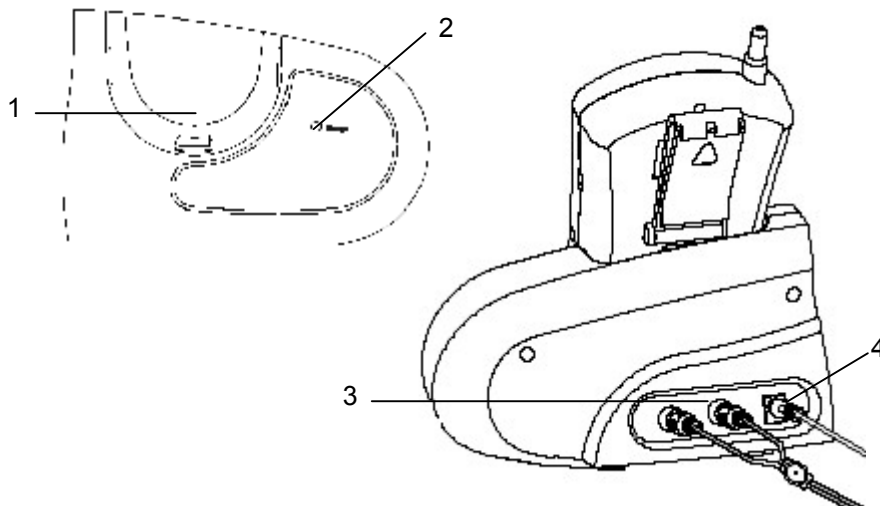


## CAMERA CONTROLS



1. **CDS Sensor** - Turns on the IR emitters in low light conditions.
2. **Infrared LED's** - Enhance the picture quality in low light conditions.
3. **Lens** - Color CMOS Image Sensor.
4. **Microphone** - Built-in condenser microphone provides listen-in audio capability from camera to monitor.
5. **ON/OFF Power Button** - Controls power to the camera.
6. **Channel Selector Switch** - Slide switch set the camera's channel (1-4)
7. **DC IN Jack** - Connects to the 6V DC (300mA) adapter.
8. **Battery Compartment (not shown)** - Requires 4 "AA" Batteries (not included).

## DOCKING STATION CONTROLS



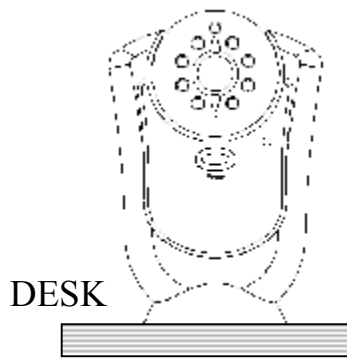
- 1. Cradle** - Carefully slide the monitor downward into the docking cradle. The monitor now has the added feature of Audio / Video Out for connection to a larger monitor (such as a TV) or a VCR.
- 2. Charge Indicator** - Illuminates when both Power and the Monitor are connected. The Docking Station will recharge the batteries in the monitor provided that you have inserted Rechargeable batteries. (Please refer to Page 8 for recharging time.)
- 3. Video and Audio Output Jacks** - RCA jacks for A/V Output connection to another video source (using the supplied A/V cable).
- 4. DC IN Jack** - Connects to the 6V DC 800mA adapter, the same one used for the monitor.

## CAMERA INSTALLATION

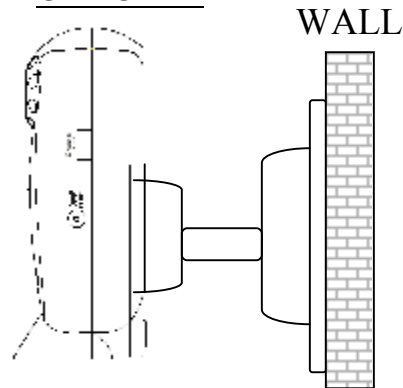
**NOTE**

Ensure the power switch on the monitor and camera are set to the OFF position before proceeding with the following steps.

### OPTION #1



### OPTION #2



**Option 1:** You can place the camera on a desk or any leveled surface. Select a location that is near an AC outlet and within reach of the AC adapter cord. You can adjust the camera head vertically to the best viewing angle.

**Option 2:** For wall mounting, use the supplied mounting bracket and screws. First, attach the stand to the wall where you want to install the camera and drive the 2 supplied screws into the wall. Attach the camera to the stand and firmly tighten the swivel. Adjust the camera to the best viewing angle.

**Power-Up the Camera:** Once the camera is mounted in place, connect the supplied 6V DC 300 mA to the DC IN jack at the side of the camera, and plug it into an electrical outlet.

You also have the option of using 4 "AA" alkaline batteries in your camera.

To utilize the battery option, follow these steps:

1. Ensure the power button on the camera is depressed to OFF.
2. Loosen the screw at the back of the camera and remove the cover.
3. Insert 4 "AA" batteries (not included) into the battery compartment while noting the polarity (+ / - symbols).

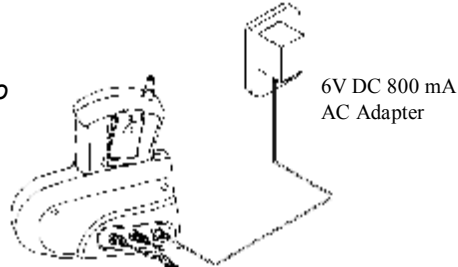
**Warning: to prevent damage to the unit, ensure the batteries are aligned properly and battery types are not mixed**

4. Close the compartment by re-screwing it, and turn the camera "ON".

## MONITOR INSTALLATION

**Note:** Connection of the Monitor to the Docking Station is optional.

The benefits of the Docking Station are: A/V Out and Battery Charging.

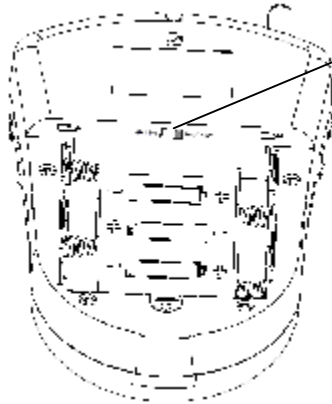


If using the Docking Station, connect the supplied 6V DC 800 mA adapter to the DC INPUT JACK at the rear of the Docking Station and plug it into an electrical outlet.

Alternatively, you can bypass the Docking Station and plug the adapter directly into the DC INPUT JACK on the side of the monitor.

## BATTERY CASE & COMPARTMENT

Remove the battery case cover by unscrewing the bolt at the back of the monitor. This system requires 4 “AA” size batteries (not included).



**Battery Type Switch:** In order for the monitor to detect Rechargeable Batteries, the switch inside the battery compartment must be set at Rechargeable rather than Alkaline.

**Note:** Do not set the selector switch to Rechargeable if non-rechargeable batteries are being used.

**Warning:** To prevent damage to the unit, ensure that the batteries are aligned properly and battery types are not mixed.

Your wireless monitor has AC or battery option. When using the AC option with rechargeable batteries, your monitor will automatically switch to back up battery feature during a power outage, providing you with uninterrupted power to the monitor.

To recharge the batteries, simply place the monitor in the Docking Station with the AC Adapter connected. The battery option also provides you the flexibility to move the monitor from room to room. Battery life is approximately 2–3 hours. It takes 10~15 hours to fully recharge the batteries. When the monitor’s sound weakens or the picture becomes unsteady, replace the batteries.

## OPERATION

### Camera

- (1) Connect the power adapter to the camera power input and turn on the camera by pressing Power. Ensure the camera is set to channel 1.

### Monitor

- (1) Connect the supplied power adaptor to the power input of the monitor or the Docking Station. Turn on the monitor by switching Power ON/OFF to ON. The LCD will display Channel 3 by default.
- (2) Use the channel selector switch button to ensure the monitor is set to the same channel as the camera to view the picture. Note: If you experience reception problems (eg. poor picture), you may need to select another channel on both the camera and monitor.
- (3) Adjust the volume to the desired level. You may also mute the audio option by reducing the Volume dial to the minimum level.
- (4) Adjust the brightness level as required.

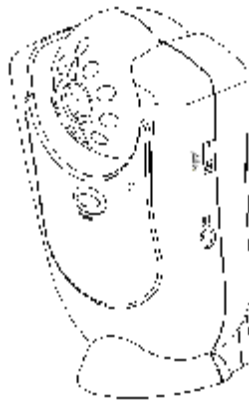
### NOTE

Try to position both the Camera and Monitor as high off the ground as possible for better picture reception.

## ADDITIONAL CAMERA CONNECTION

This video security system allows you to view up to four different camera locations. Additional cameras are sold separately, please refer to [www.lorexctv.com](http://www.lorexctv.com) for more information.

When connecting more than one camera to the monitor/camera system, you will need to set each camera to a different channel (Channels 1-4).



CH 1

## **ALARM ALERT**

This video security system is equipped with an Audio-based Alarm system, which alerts you of sound at the camera.

To activate the Alarm feature, hold the Alarm button on the monitor for 2 seconds. A red light will illuminate to indicate that Alarm mode is active, and the monitor will go to Standby mode (video will not appear on the LCD screen, and the speaker sound will cease).

An Alarm is activated when sound at the camera site is detected. In the event of an Alarm, the monitor will emit a buzzer sound for 10 seconds, and the LCD screen will turn ON for 60 seconds. During the 60 second duration, a subsequent Alarm cannot be triggered. If there's no further noise at the camera after 60 seconds, the monitor will return to the Standby mode. To stop the Alarm's buzzer sound, press the Alarm button.

Alarm mode can be deactivated by holding the Alarm button for 2 seconds. The system will then return to its previous settings.

## **SETTING ALARM SENSITIVITY**

You can adjust the level of the Alarm feature's sensitivity via the Audio Sensitivity dial on the side of the monitor. At lower Audio Sensitivity settings, louder sounds will be required to trigger an Alarm. When the Audio Sensitivity is at a high setting, soft sounds will trigger the Alarm.

## **AUTO & MANUAL VIEWING OPTIONS**

This system is preset to Manual mode. To manually view a specific camera location, press the Channel Selector button to navigate between Channels 1-4.

Alternatively, you can set the system to Auto mode by pressing the Auto button. In Auto mode, the Auto LED light will turn ON, and the camera channels will rotate automatically. To exit Auto mode, press the Auto button again.

## **AUTO SCANNING**

This video security system provides you with the option to automatically switch between the four camera locations. If you have fewer than four cameras, you can also set the system to scan between three or two locations.

Setting Auto Scan to 2 or 3 camera locations:

1. Press and hold the Auto button for more than 2 seconds. All four LED lights on the front of the monitor will turn ON.
2. Continue to press and hold the Auto button. The Channel 4 LED will turn off. The system is now set to scan between three camera locations (Channel 1-3).
3. Continue to press and hold the Auto button. The Channel 3 LED will now be turned off. The system is now set to scan between two camera locations (Channel 1-2).
4. Continue to press and hold the Auto button to return to the four camera viewing option (all four LED lights will be illuminated).

## **SELECTABLE DWELL SETTINGS**

*Dwell Setting is the time duration between each camera view in the auto sequence mode.*

This system provides you with the option of three selectable dwell times (2, 5 and 10 seconds) when set to Auto Mode. This system is preset to a two second interval.

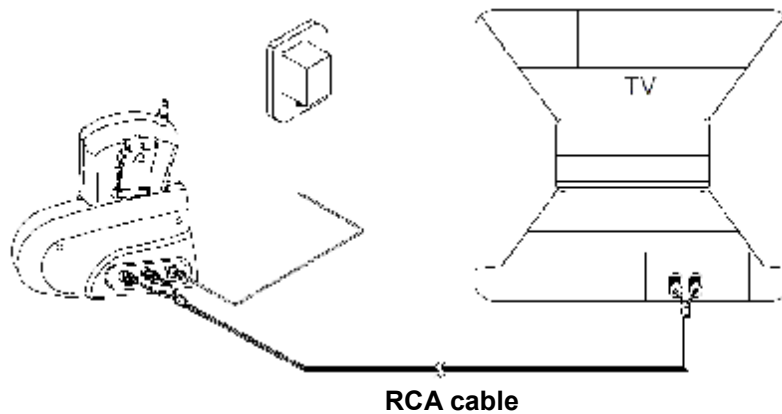
Changing Dwell Time:

1. Press and hold the Channel Select button. The LED light will turn on to indicate that it is set to 2 seconds.
2. Continue to press and hold the Channel Select button. The LED light will flash one second interval to indicate that it is now set to the 5 second interval.
3. Continue to press and hold the Channel Select button.
4. The LED light will flash three second interval to indicate it is set to the 10 second interval.

### CONNECTING THE MONITOR TO A TV

In order to view video from the camera on a larger screen than the 1.8" LCD, you can use the Video/Audio output from the Docking Station as shown in the diagram below and view the video on TV.

*Please note: To view the picture on the TV, you must select an A/V or AUX channel.*



### Connections for recording

Similarly, the monitor can also be connected to a VCR.

Connect the supplied audio/video cable from the back of the monitor to the Audio/Video Inputs of a VCR.

*Please Note: To record, you must select the A/V or AUX channel on your VCR.*





## **TECHNICAL SPECIFICATIONS**

### **MONITOR**

Display	1.8" Color LCD
Resolution	280 x 220 pixels
Viewing Angle	90° (L/R)
Camera Capable	Up to 4
Wireless transmission	Up to 300 feet (open space)
Power Source	6V 800 mA Adapter (included)
Battery Option	4 "AA" Batteries (not included)

### **CAMERA**

Image Device	Color 1/4" CMOS
Picture Element	510 x 492 pixels
Lens	3.6 mm
Viewing angle	60°
Minimum Illumination	3 LUX @ F2.0, 0 LUX with LED's at 3ft or less
Power Source	6V 300 mA Adapter (included)
Battery Option	4 "AA" Batteries (not included)

Because our products are subject to continuous improvement, SVII and its subsidiaries reserve the right to modify product design and specifications without notice and without incurring any obligation. E&OE

## CARE AND MAINTENANCE:

Please follow these instructions to ensure proper care and maintenance of this system.

Keep your monitor and camera dry. If it gets wet, wipe it dry immediately.

Use and store your unit in normal temperature environment. Extreme temperatures can shorten the life of the electronic devices.

Handle the monitor carefully. Dropping it can cause serious damage to the unit.

Occasionally clean the unit with a damp cloth to keep it looking new. Do not use harsh chemicals, cleaning solvents or strong detergents to clean the unit.

Keep the unit away from excessive dirt and dust. It can cause premature wear of parts.



### FCC Information

This device complies with part 15 of the FCC Rules, Operation is subject to the following two conditions: (1) This device may not cause harmful interference, and (2) This device must accept any interference received, including interference that may cause undesired operation.

**CAUTION:** Changes or modifications not expressly approved by Summer infant may void the users authority to operate this equipment.

**NOTE:** This equipment has been tested and found to comply with the limits for a Class B digital device, pursuant to part 15 of the FCC Rules.

These limits are designed to provide reasonable protection against harmful interference in a residential installation. This equipment generates, uses and can radiate radio frequency energy and, if not installed and used in accordance with the instructions, may cause harmful interference to radio communications, However, there is no guarantee that interference will not occur in a particular installation. If this equipment does cause harmful interference to radio or television reception, which can be determined by turning the equipment off and on, the user is encouraged to try to correct the interference by one or more of the following measures:

- Reorient or relocate the receiving antenna
- Increase the separation between the equipment and the receiver
- Consult the dealer or an experienced radio / TV technician for help.