

# Base Assembly

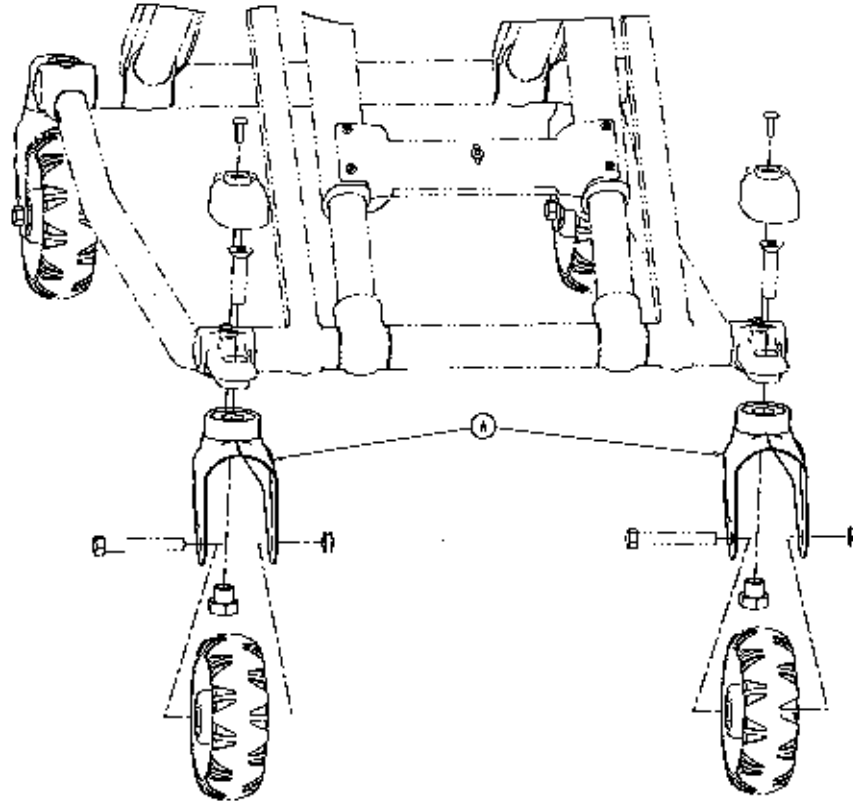
## Base Assembly - 6506-001-012 Rev A (Reference Only)

Item	Part No.	Part Name	Qty.
A	0003-388-000	Hex Head Cap Screw	2
B	0003-205-000	Hex Head Cap Screw	4
C	0004-319-000	Flat Head Socket Screw	4
D	0004-659-000	Socket Head Cap Screw	2
E	0004-587-000	Button Head Cap Screw	12
F	0007-086-000	Truss Head Screw	6
G	0014-115-000	Washer	2
H	0015-051-000	Square Nut	16
J	0016-060-000	Toplock Hex Jam Nut	4
K	0025-133-000	Dome Head Rivet	10
L	0037-083-000	Tube Plug	4
M	0004-634-000	Button Head Cap Screw	4
N	0081-244-000	Flange Bearing	4
P	6060-002-010	Molded Wheel Assembly (page 132)	4
R	0016-049-000	Nylock Hex Nut	4
T	6090-001-009	Caster Nut	4
U	6500-301-021	Outer Lift Tube Assembly (page 136)	2
V	6500-301-022	Inner Lift Tube Assembly (page 137)	2
W	6500-001-034	Inner Lift Tube Assembly, Litter Pivot, Right (page 138)	1
Y	6500-001-035	Inner Lift Tube Assembly, Litter Pivot, Left (page 139)	1
AA	6500-001-056	Inner Tube Base Frame	1
AB	6500-001-090	Cross Tube, Head End	1
AC	6500-001-308	Base Strap, Right	1
AD	6500-001-125	Base Dead Stop	2
AE	6500-001-309	Base Strap, Left	1
AF	6500-001-129	Plastic Extrusion Spacer	1
AG	6500-001-171	Cross Tube Cylinder Mount	1
AH	6500-001-182	Cross Tube Stiffener Bar	1
AJ	6500-001-164	Cylinder Mount Pivot, Top	1
AK	6500-001-165	Cylinder Mount Pivot, Bottom	1
AL	6500-001-225	Flange Bearing	14
AN	6500-001-157	Flange Bearing	2
AP	6500-001-172	Support Link	2
AR	6500-001-177	Caster Mount Cover	1
AT	6500-001-178	Plastic Extrusion Spacer	2
AU	6500-001-179	Top X-Frame Guard, Lower	2
AV	6500-001-180	Top X-Frame Guard, Upper	2
AW	6500-001-310	Base Strap Clamp	2
AY	6500-001-183	Plastic Extrusion Spacer	2
BA	8085-001-097	Caster Mount Bolt	4
BB	6500-001-162	Flange Bearing	4
BC	6500-001-341	Base Tube Pivot Post	2
BD	6500-001-226	Base Tube Pivot Bearing	4
BE	6500-001-227	Base Tube Pivot Post	2
BF	6500-001-228	Inner Lift Tube Sleeve	2
BG	6500-001-229	Foot Base Tube	2
BH	6500-001-230	Plastic Extrusion Spacer	1
BJ	0014-002-000	Flat Washer	4
BK	0014-040-000	Flat Washer	4
BL	0016-002-000	Fiberlock Nut	4

[Return To Table of Contents](#)

# No Wheel Lock Option

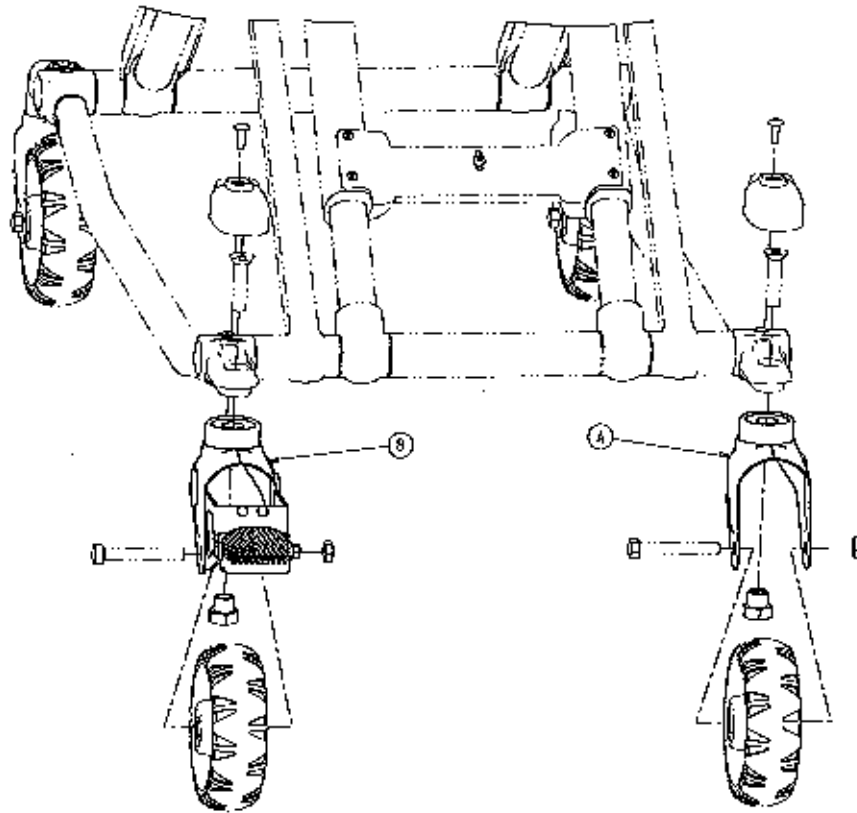
8086-500-010 Rev A (Reference Only)



Item	Part No.	Part Name	Qty.
A	8082-002-012	Caster Horn Assembly (page 127)	2

# Single Wheel Lock Option

6086-601-010 Rev A (Reference Only)

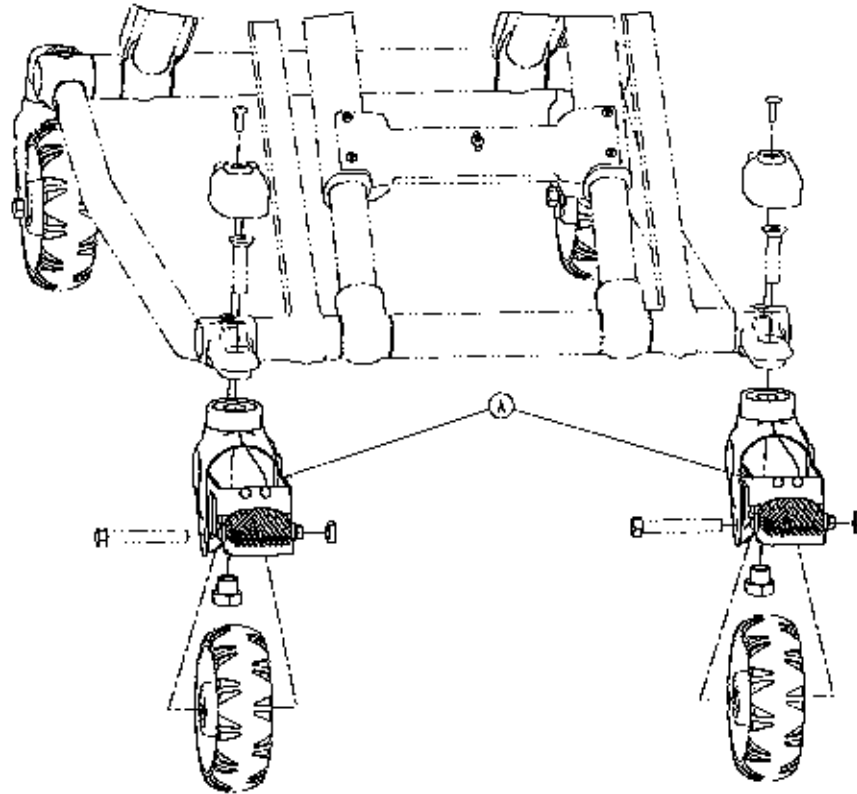


Item	Part No.	Part Name	Qty.
A	6082-002-012	Caster Horn Assembly (page 127)	1
B	6086-200-010	Adjustable Caster Lock Assembly (page 128)	1

[Return To Table of Contents](#)

# Dual Wheel Lock Option

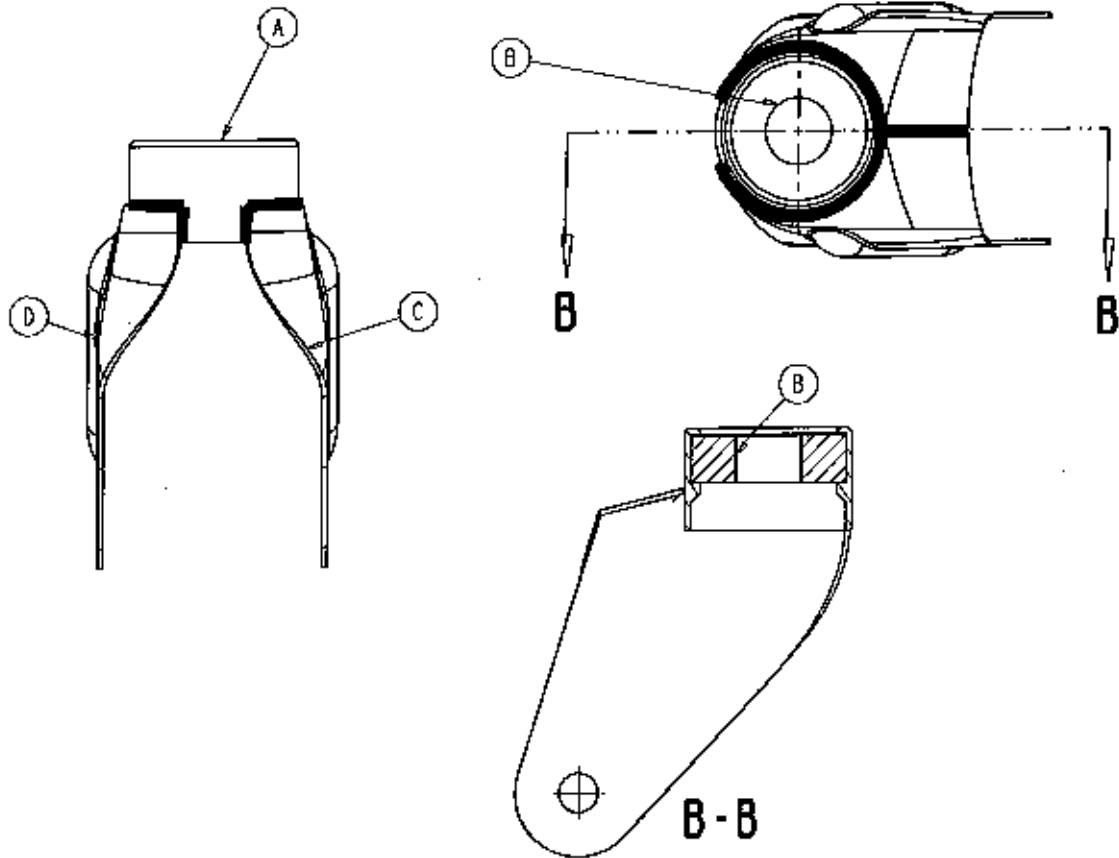
6086-802-010 Rev A (Reference Only)



Item	Part No.	Part Name	Qty.
A	6086-200-010	Adjustable Caster Lock Assembly (page 128)	2

# Caster Horn Assembly

6082-002-012 Rev C (Reference Only)

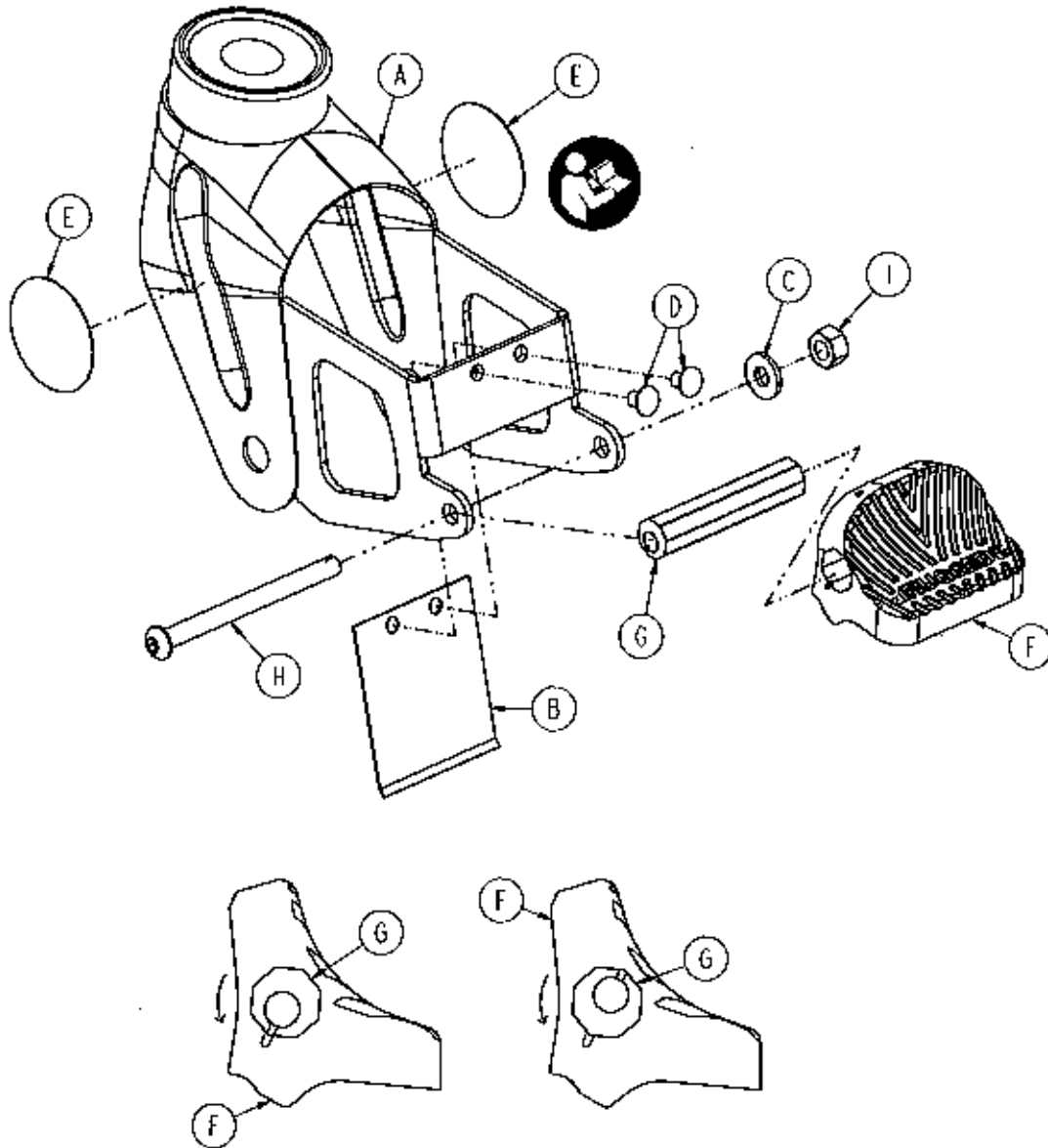


Item	Part No.	Part Name	Qty.
A	6082-002-039	Bearing Retainer	1
B	0081-227-000	Bearing	1
C	6082-002-042	Caster Horn Plate, Left	1
D	6082-002-043	Caster Horn Plate, Right	1

[Return To Table of Contents](#)

# Adjustable Caster Lock Assembly

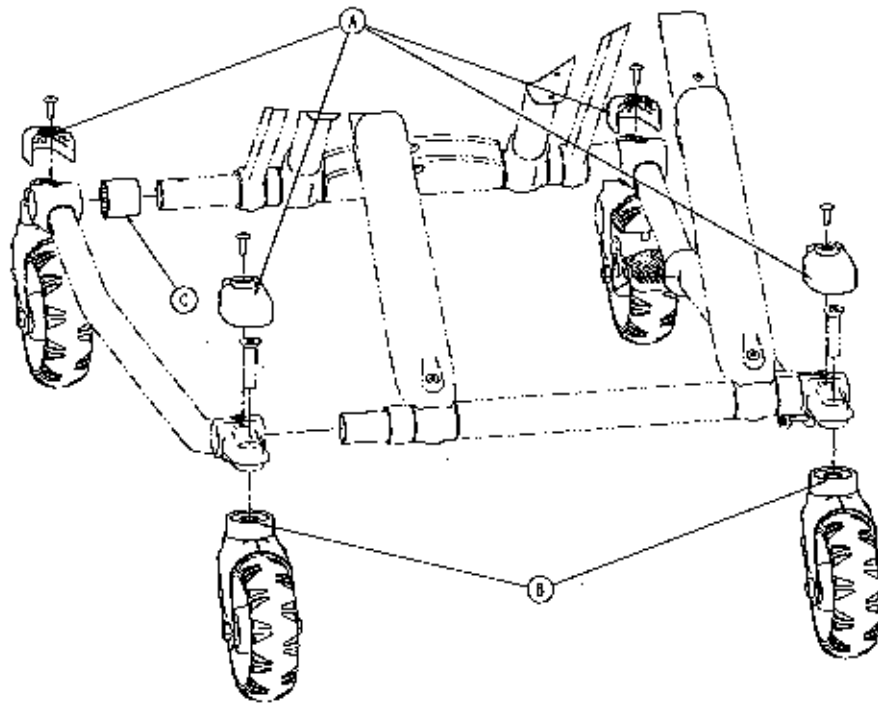
6086-200-010 Rev A (Reference Only)



Item	Part No.	Part Name	Qty.
A	6082-100-012	Caster Horn	1
B	6080-100-032	Spring	1
C	0011-456-000	Washer	1
D	0025-153-000	Semi-Tubular Rivet	2
E	8508-001-900	Label	2
F	6080-300-030	Pedal, Adjustable Caster Lock	1
G	6080-200-041	Octagonal Sleeve, Adj Caster Lock	1
H	0004-098-000	Hex Socket Button Head Cap Screw	1
I	0018-118-000	Centerlock Nut	1

# No Steer-Lock Option

6506-037-000 Rev A (Reference Only)

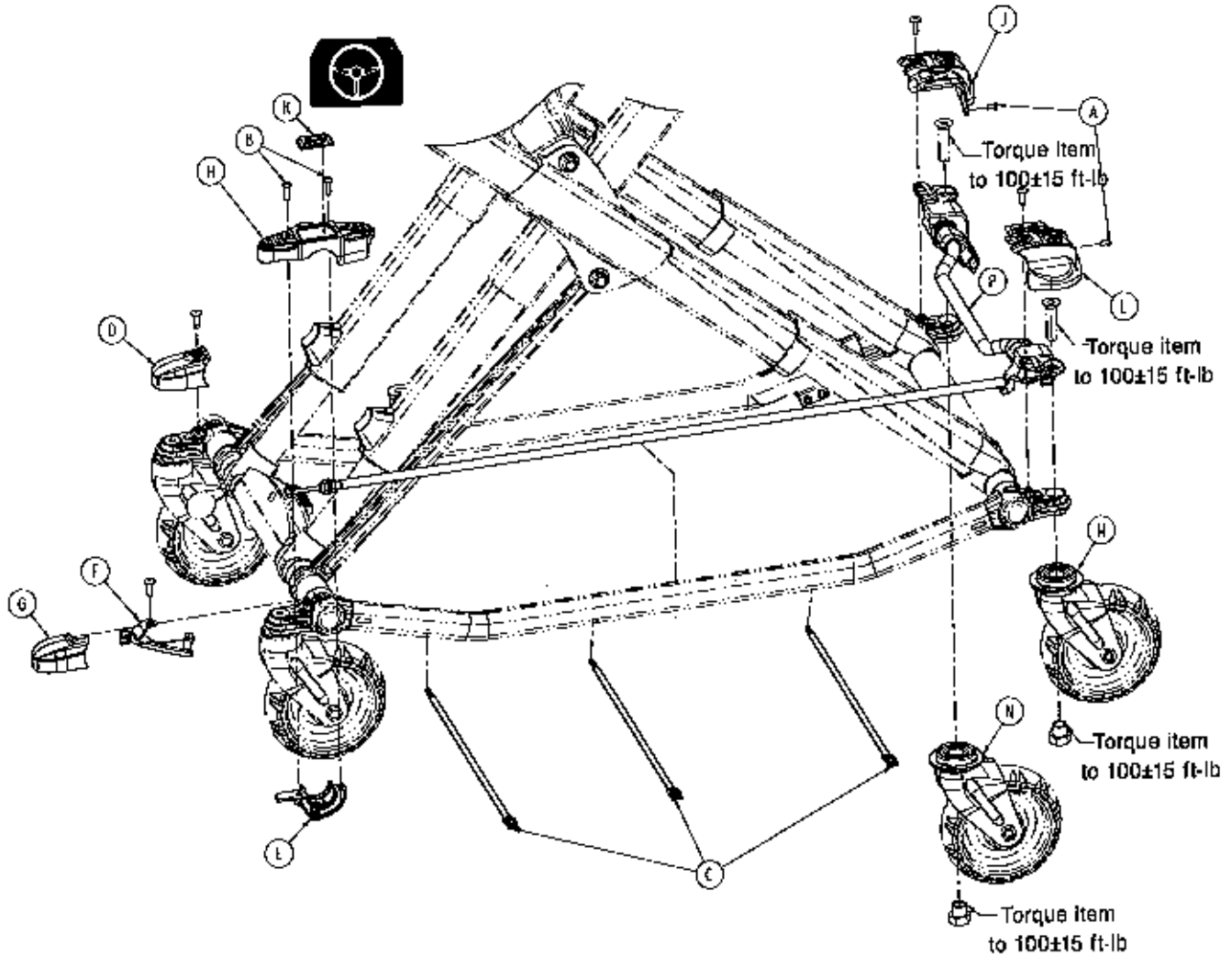


Item	Part No.	Part Name	Qty.
A	6500-001-177	Caster Mount Cover	4
B	6082-002-012	Caster Horn Assembly (page 127)	2
C	6500-001-230	Plastic Extrusion - Spacer	1

[Return To Table of Contents](#)

# Optional Steer-Lock - 6506-038-000

Rev A

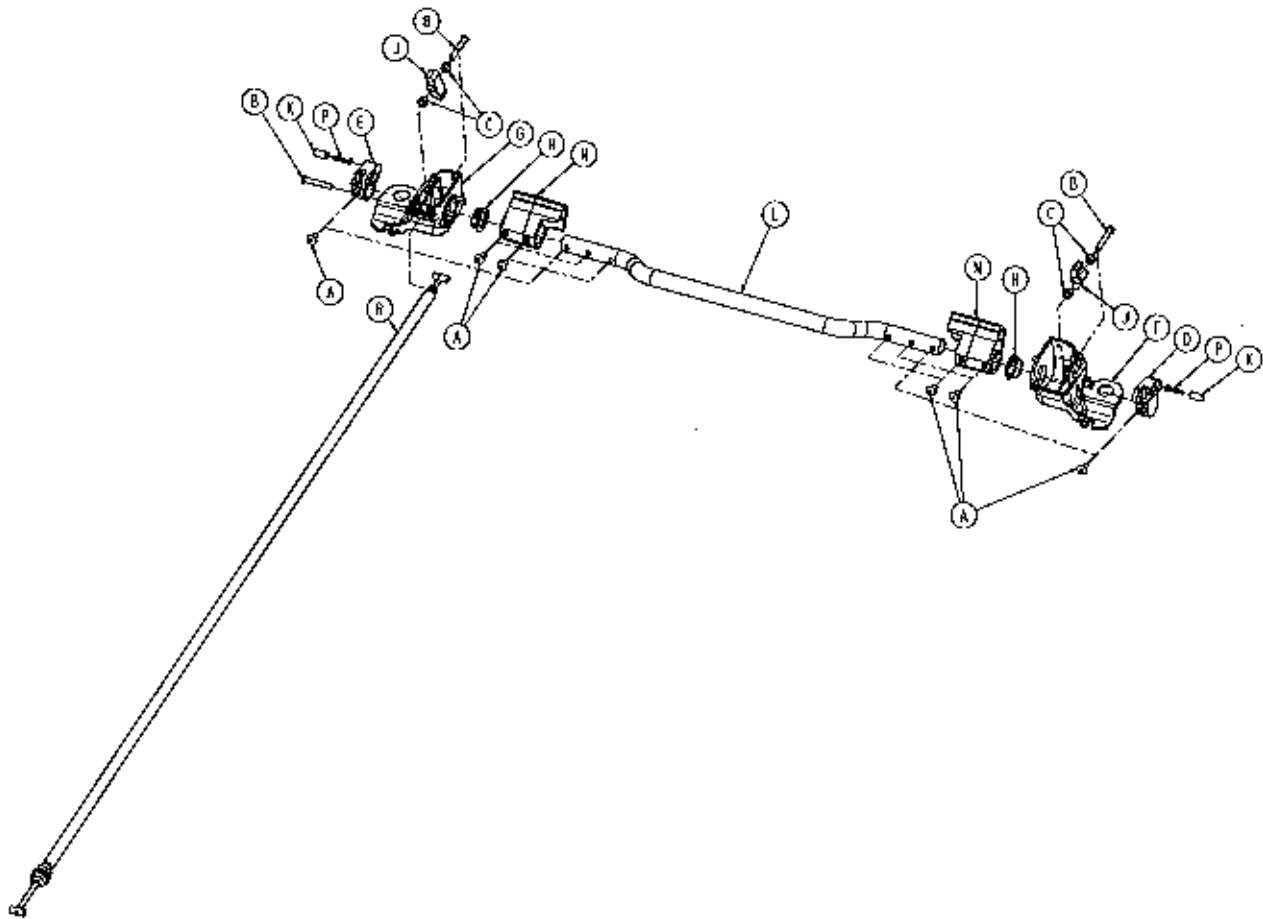


Item	Part No.	Part Name	Qty.
A	0004-587-000	Button Head Cap Screw	2
B	0004-592-000	Button Head Cap Screw	2
C	0059-211-000	Cable Tie	3
D	6500-001-177	Caster Mount Cover	1
E	6500-002-243	Steer-Lock Pedal Collar, Foot End	1
F	6500-002-244	Steer-Lock Cable Support Bracket	1
G	6500-002-245	Caster Mount Cover	1
H	6500-002-248	Steer-Lock Overmolded Pedal, Foot End	1
J	6500-002-247	Steer-Lock Housing Cover, Head End	1
K	6500-002-248	Label, Steer-Lock Pedal, Foot End	1
L	6500-002-249	Steer-Lock Housing Cover, Head End	1
M	6500-002-255	Steer-Lock Caster Horn Welment, Left	1
N	6500-002-260	Steer-Lock Caster Horn Welment, Right	1
P	6506-002-265	Steer-Lock Sub Assembly, Head End (page 131)	1



# Steer-Lock Sub Assembly, Head End

6506-002-265 Rev A (Reference Only)

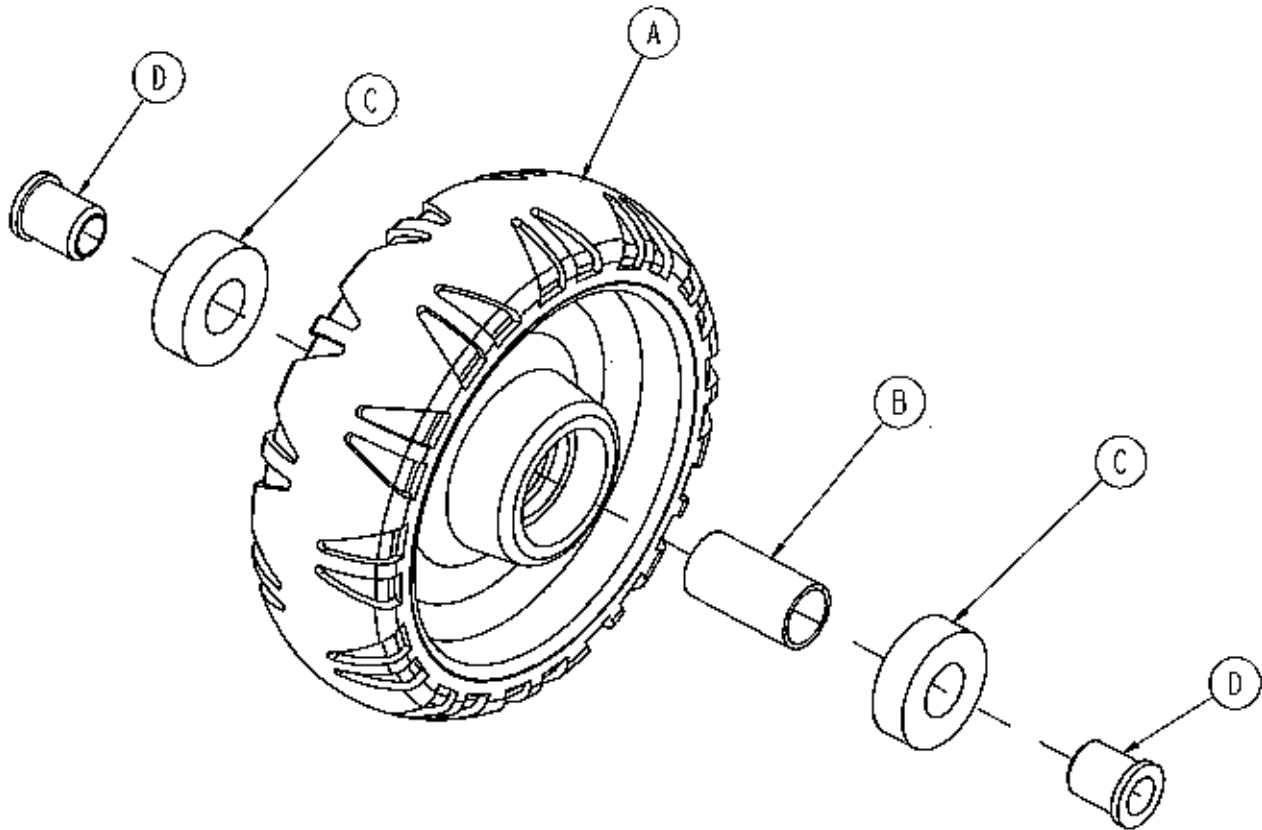


Item	Part No.	Part Name	Qty.
A	0025-079-000	Dome Head Rivet	6
B	0027-036-000	Slic Pin	3
C	0081-347-000	Flange Bearing	4
D	6500-002-230	Steer-Lock Plunger Housing	1
E	6500-002-231	Steer-Lock Plunger Housing	1
F	6500-002-234	Steer-Lock Mechanism Housing	1
G	6500-002-235	Steer-Lock Mechanism Housing	1
H	6500-002-236	Steer-Lock Custom Flange Bushing	2
J	6500-002-237	Steer-Lock Lock Pawl	2
K	6500-002-238	Steer-Lock Plunger Button	2
L	6500-002-240	Steer-Lock Cross Tube	1
M	6500-002-241	Steer-Lock Pedal, Head End	1
N	6500-002-251	Steer-Lock Pedal, Head End	1
P	6500-002-252	Compression Spring	2
R	6500-002-250	Steer-Lock Push-Pull Flex Rod Assembly	1

[Return To Table of Contents](#)

# Wheel Assembly - 6060-002-010

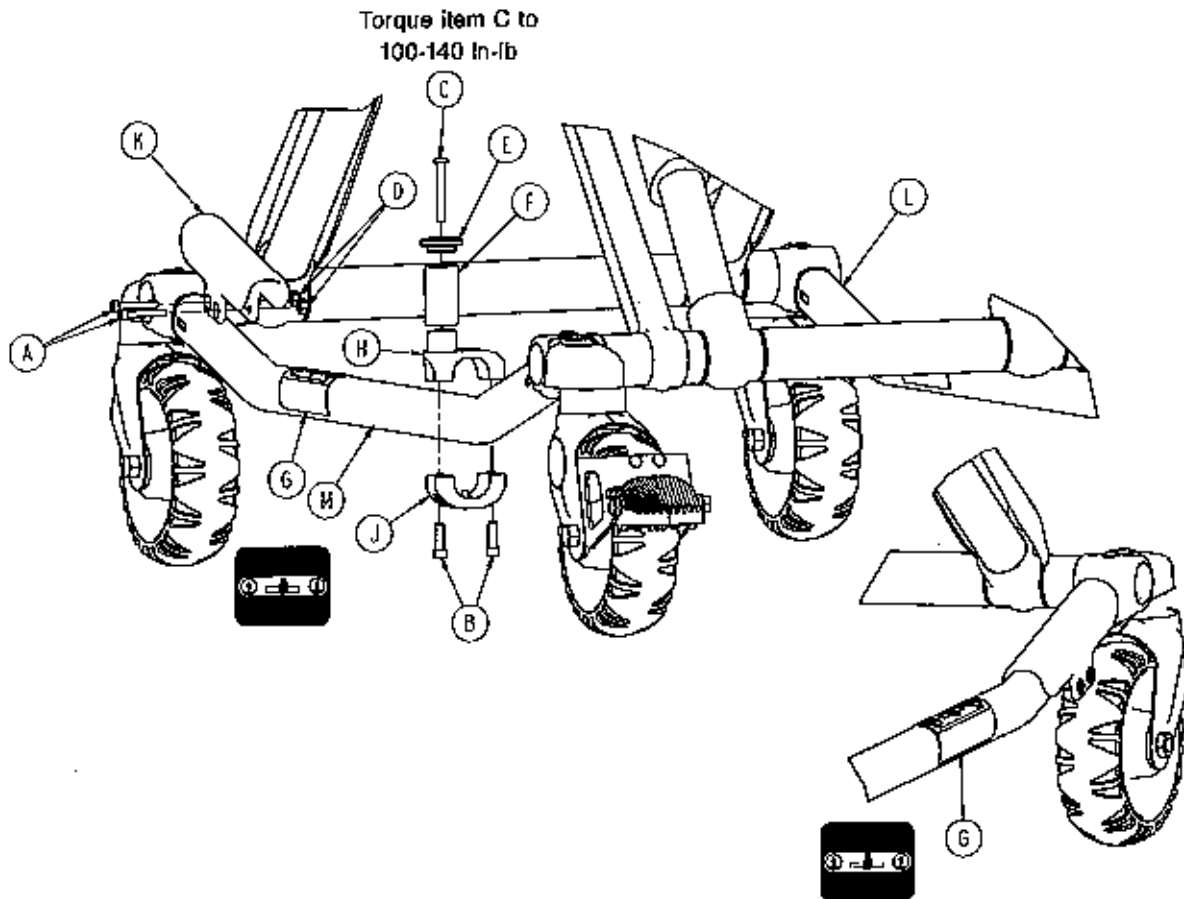
Rev B



Item	Part No.	Part Name	Qty.
A	6060-002-045	6" Molded Wheel	1
B	6060-002-046	Bearing Spacer	1
C	0081-226-000	Bearing	2
D	0715-001-255	Wheel Bushing	2

# Cot Retaining Post, Right - 6085-033-000

Rev E

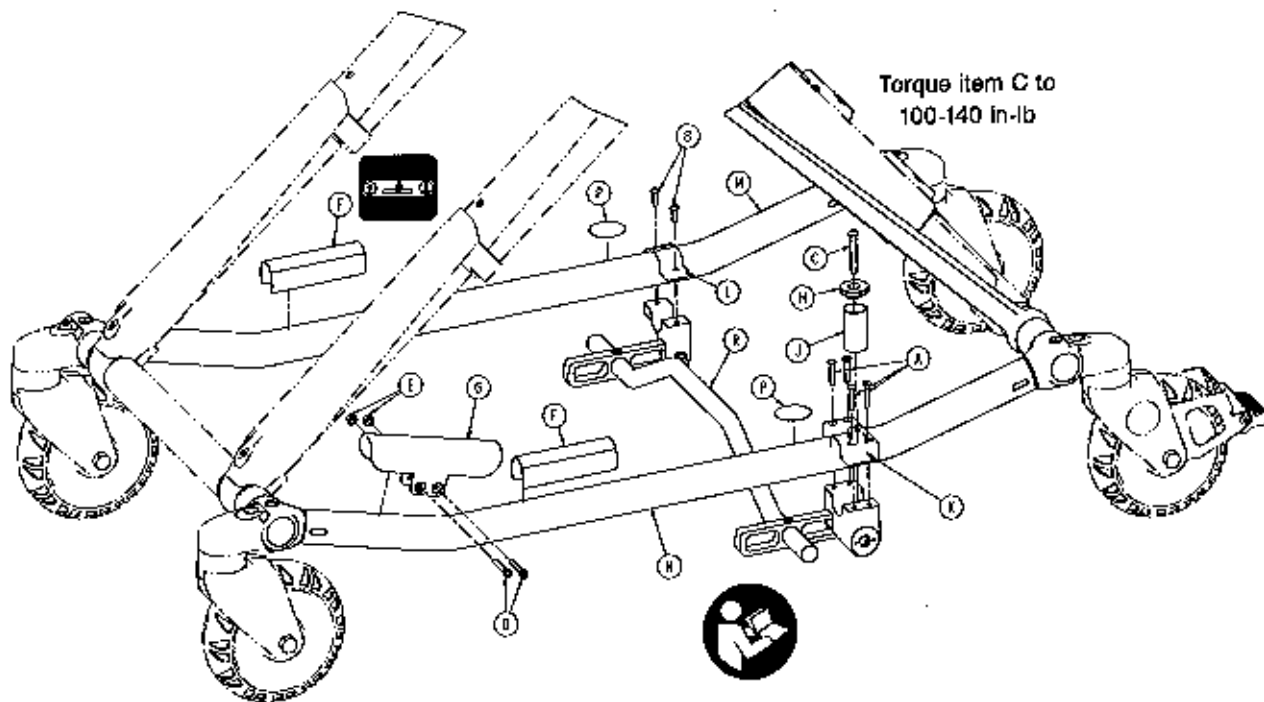


Item	Part No.	Part Name	Qty.
A	0004-160-000	Socket Head Cap Screw	2
B	0004-591-000	Socket Head Cap Screw	2
C	0004-503-000	Button Head Cap Screw	1
D	0016-003-000	Nylock Hex Nut	2
E	6060-004-043	Retaining Post Cap	1
F	6060-004-044	Post Tube	1
G	6080-080-108	Label, Lift Here	2
H	6500-101-189	Top Pin Bracket	1
J	6500-101-190	Bottom Pin Bracket	1
K	6500-001-302	Base Tube Protector	1
L	6085-001-056	Outer Base Tube Weldment	1
M	6085-001-057	Outer Base Tube Weldment	1

[Return To Table of Contents](#)

# Optional Kickstand Assembly - 6085-102-000

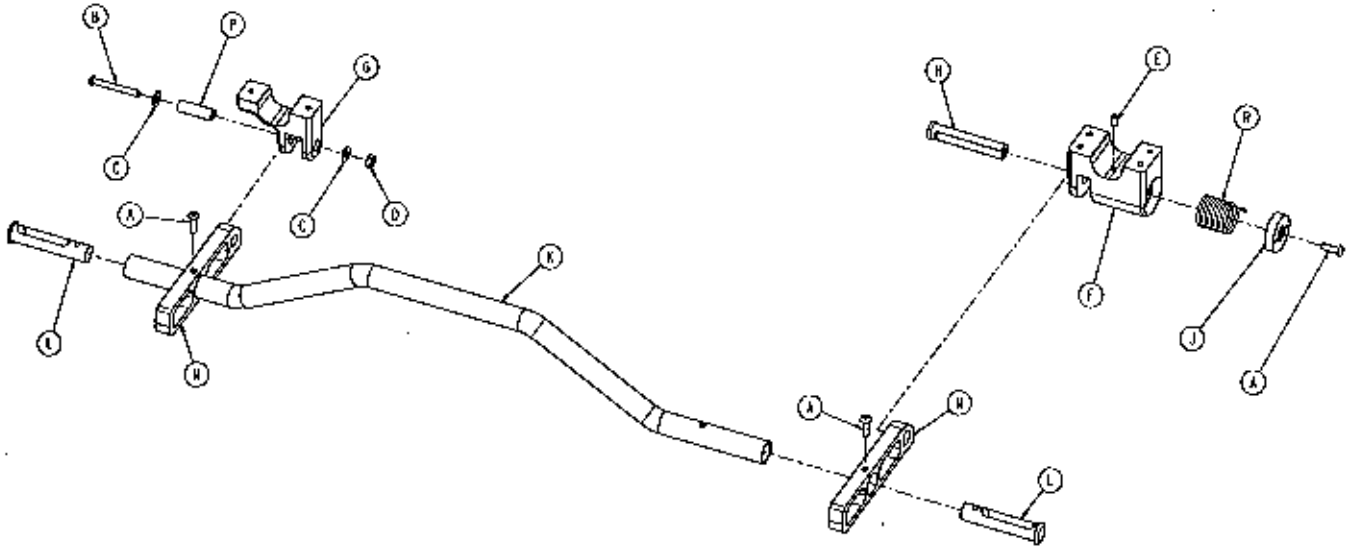
Rev A



Item	Part No.	Part Name	Qty.
A	0004-460-000	Button Head Socket Screw	4
B	0004-515-000	Button Head Cap Screw	2
C	0004-503-000	Button Head Cap Screw	1
D	0004-160-000	Socket Head Cap Screw	2
E	0018-003-000	Nylock Hex Nut	2
F	6080-090-108	Label, Lift Here	2
G	6500-001-302	Base Tube Protector	1
H	6060-004-043	Retaining Post Cap	1
J	6060-004-044	Post Tube	1
K	6085-002-001	Kickstand Cot Retaining Post Bracket	1
L	6085-002-002	Kickstand Top Pin Bracket	1
M	6085-001-056	Outer Base Tube Weldment	1
N	6085-001-057	Outer Base Tube Weldment	1
P	6506-001-900	Label	2
R	6085-002-016	Kickstand Sub-Assembly (page 135)	1

# Kickstand Sub-Assembly - 6085-002-016

Rev A

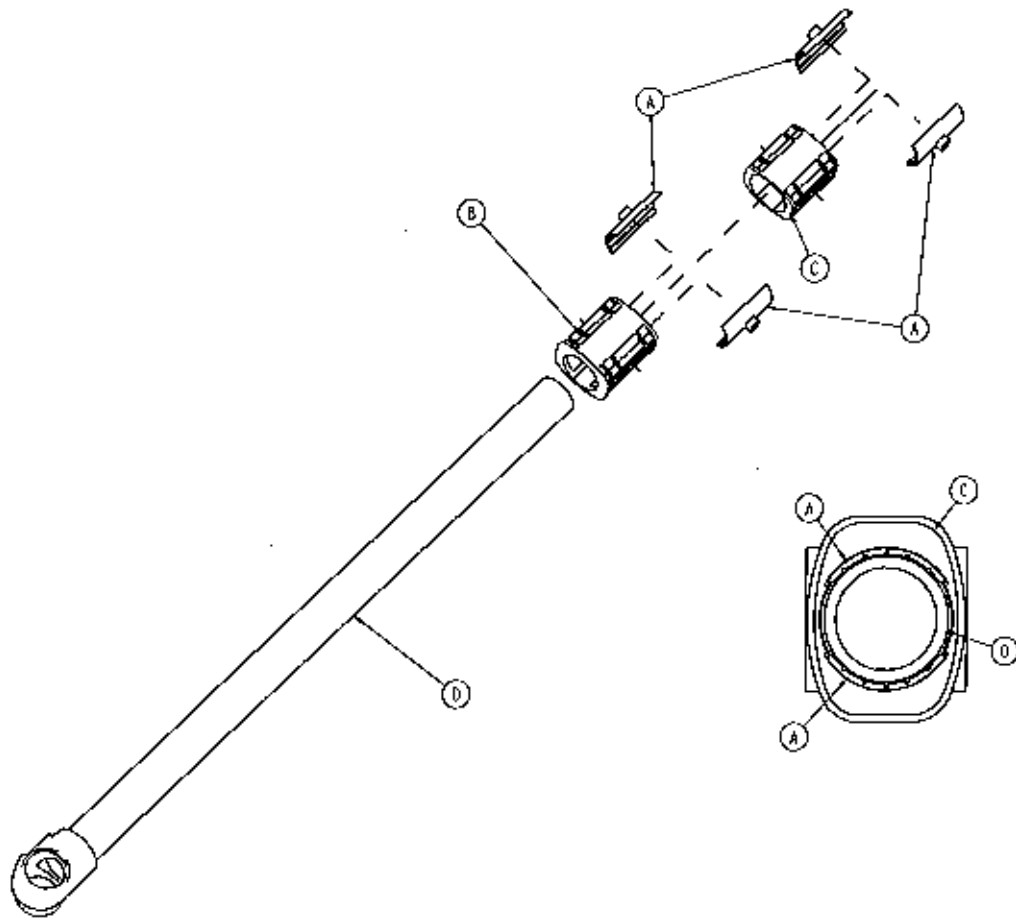


Item	Part No.	Part Name	Qty.
A	0004-515-000	Button Head Cap Screw	3
B	0004-636-000	Button Head Cap Screw	1
C	0011-302-000	Plain Washer	2
D	0016-131-000	Nylock Hex Nut	1
E	0021-180-000	Set Screw	1
F	6085-002-003	Kickstand Spring Housing	1
G	6085-002-004	Kickstand Bottom Bracket	1
H	6085-002-006	Kick Bolt	1
J	6085-002-007	Kick Bolt Head	1
K	6085-002-008	Kick Tube	1
L	6085-002-009	Kick Tube Cap	2
M	6085-002-011	Rocker Strut, Left	1
N	6085-002-012	Rocker Strut, Right	1
P	6085-002-013	Kickstand Spacer	1
R	6085-002-014	Kickstand Torsion Spring	1

[Return To Table of Contents](#)

# Outer Lift Tube Assembly, Base Pivot - 6500-301-021

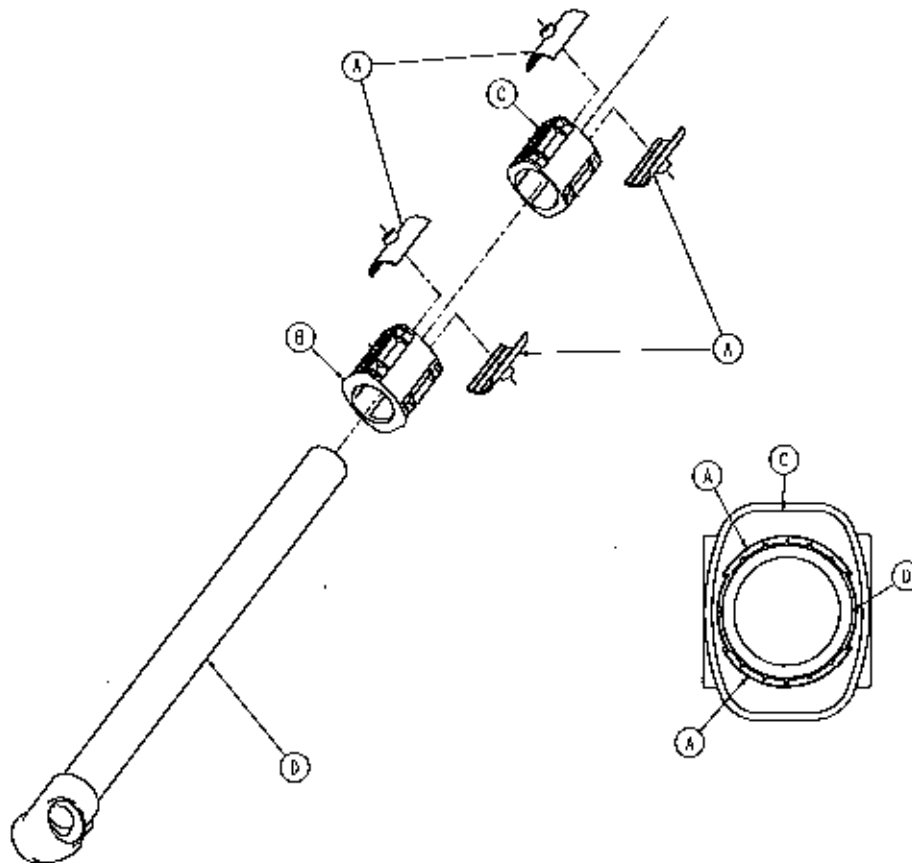
Rev A



Item	Part No.	Part Name	Qty.
A	6500-001-327	Half Shell Bearing	4
B	6500-001-328	Bearing Carrier, Lower	1
C	6500-001-329	Bearing Carrier, Middle	1
D	6500-301-050	Outer Lift Tube Weldment	1

# Inner Lift Tube Assembly, Base Pivot - 6500-301-022

Rev B



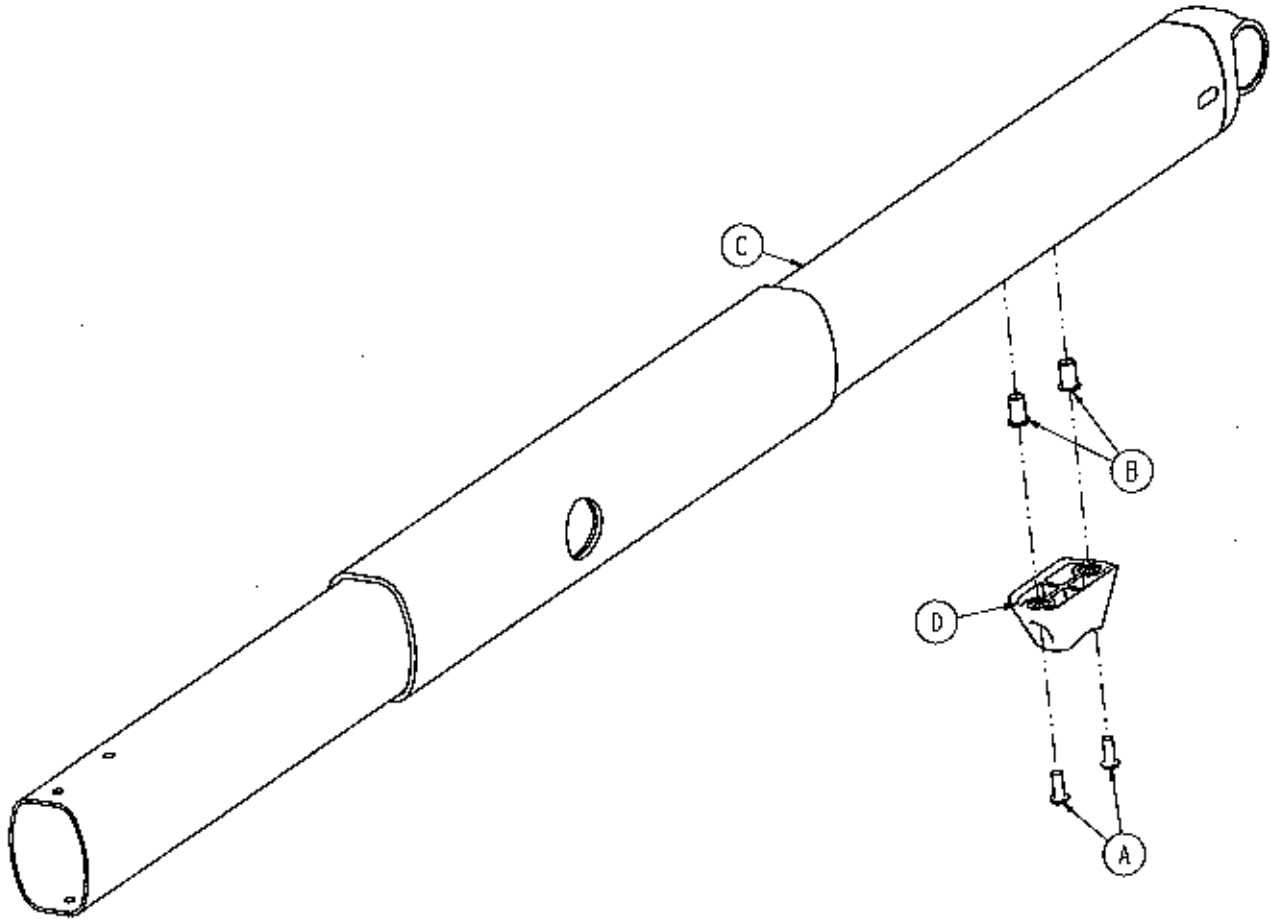
Item	Part No.	Part Name	Qty.
A	6500-001-327	Half Shell Bearing	4
B	6500-001-328	Bearing Carrier, Lower	1
C	6500-001-329	Bearing Carrier, Middle	1
D	6500-301-051	Lift Tube Weldment, Base Pivot	1

[Return To Table of Contents](#)

# Inner Lift Tube, Litter Pivot - 6500-001-034

## Patient Right Assembly

Rev F



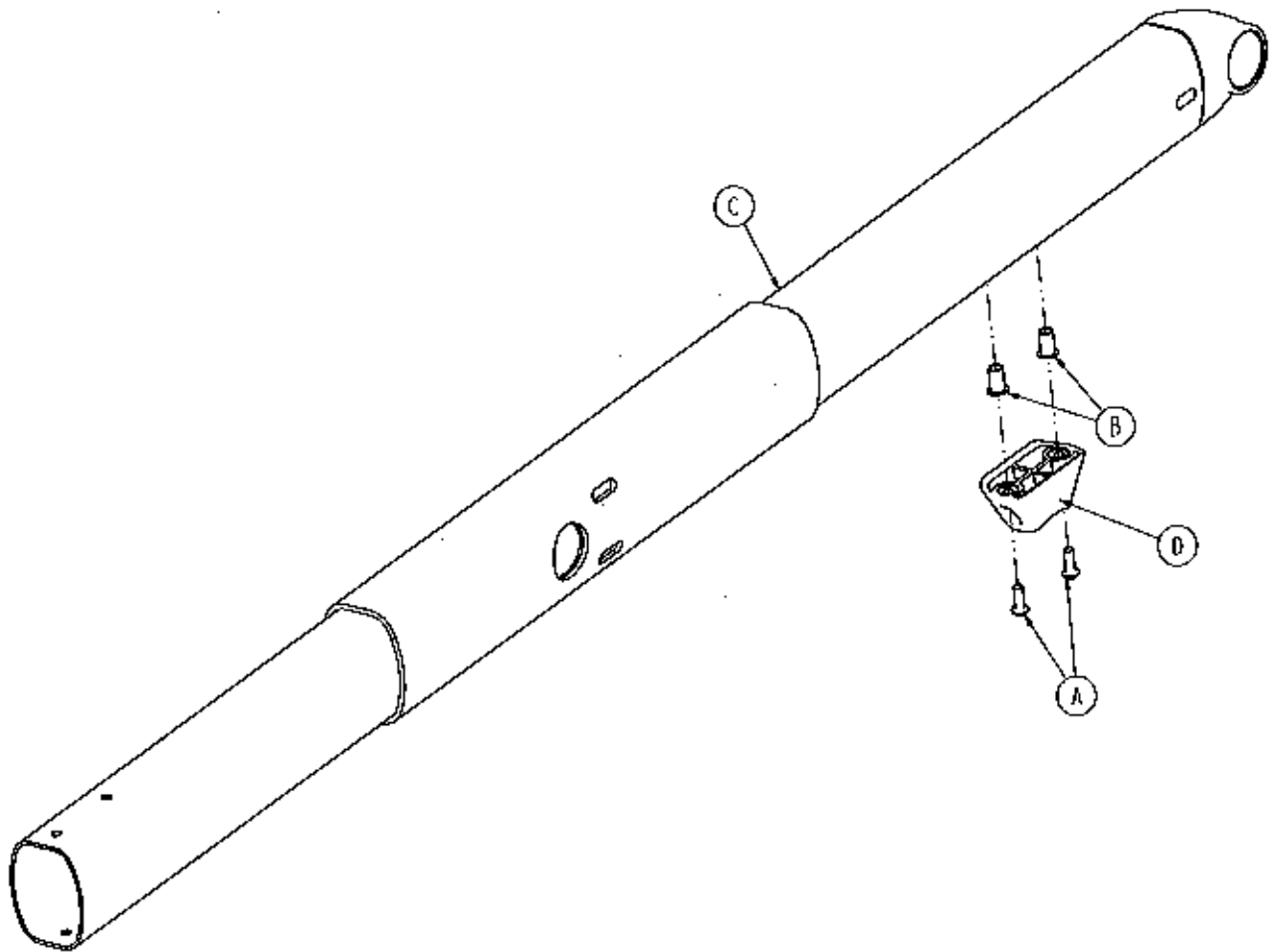
Item	Part No.	Part Name	Qty.
A	0004-634-000	Button Head Cap Screw	2
B	0055-100-075	Nut	2
C	6500-001-355	Inner Lift Tube Weldment	1
D	6500-001-125	Dead Stop	1



# Inner Lift Tube, Litter Pivot - 6500-001-035

## Patient Left Assembly

Rev F

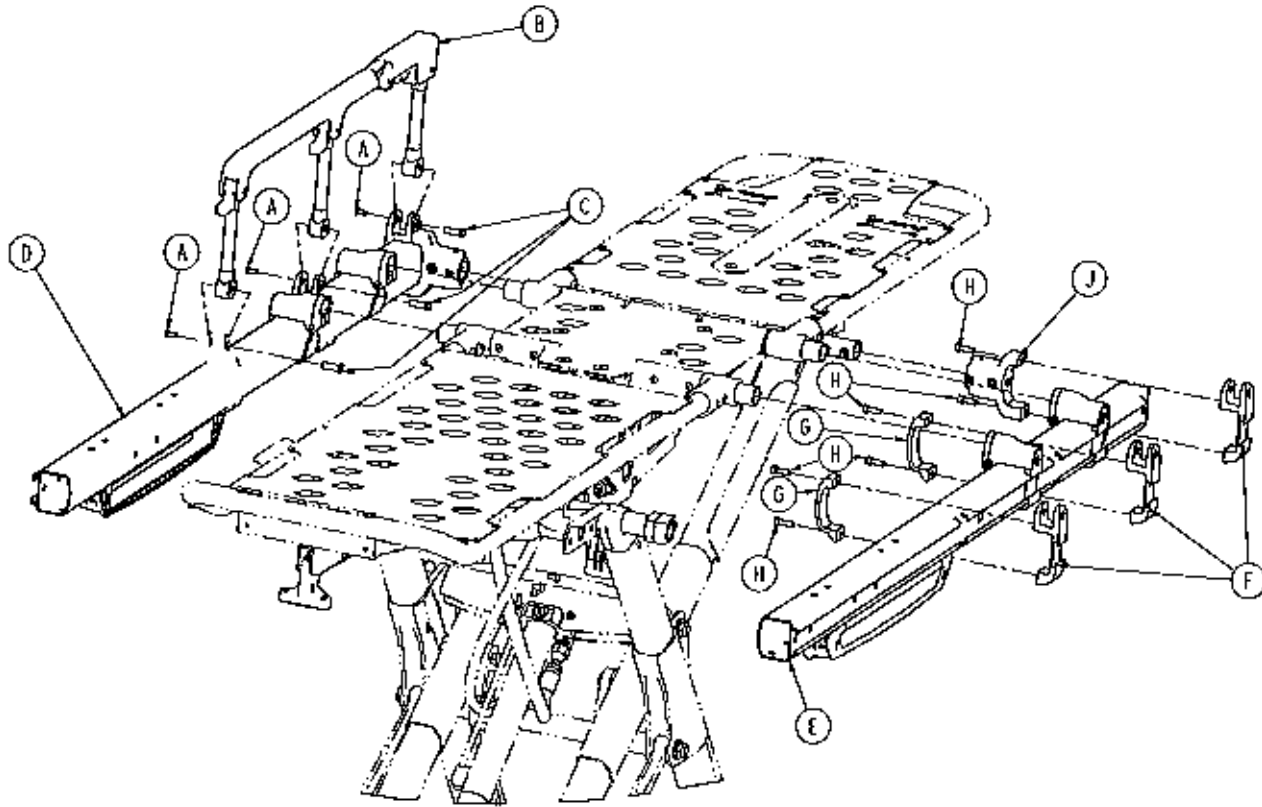


Item	Part No.	Part Name	Qty.
A	0004-634-000	Button Head Cap Screw	2
B	0055-100-075	Nut	2
C	6500-301-053	Inner Lift Tube Weldment	1
D	6500-001-125	Dead Stop	1

[Return To Table of Contents](#)

# Standard Siderail

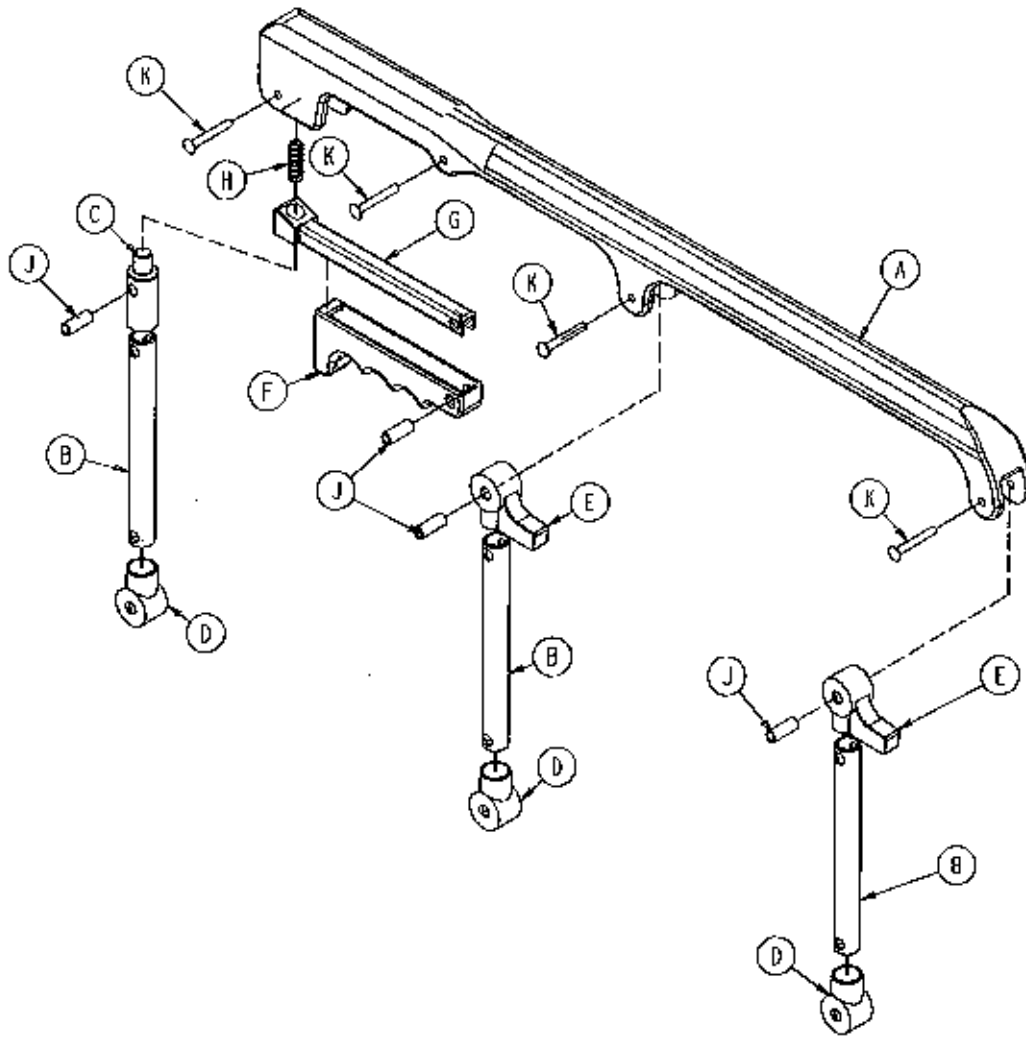
6506-091-000 Rev B (Reference Only)



Item	Part No.	Part Name	Qty.
A	0004-585-000	Button Head Cap Screw	6
B	6082-026-010	Siderail Assembly (page 141)	2
C	6500-001-118	Siderail Nut	8
D	6500-002-032	Outer Rail Subassy, Right (page 142)	1
E	6500-002-033	Outer Rail Subassy, Left (page 143)	1
F	6500-001-116	Siderail Bracket	6
G	6500-001-117	Siderail Clamp	4
H	0004-591-000	Socket Head Cap Screw	12
J	6500-001-102	Base/Litter Interface Bracket	2

# Siderail Assembly - 6082-026-010

Rev B

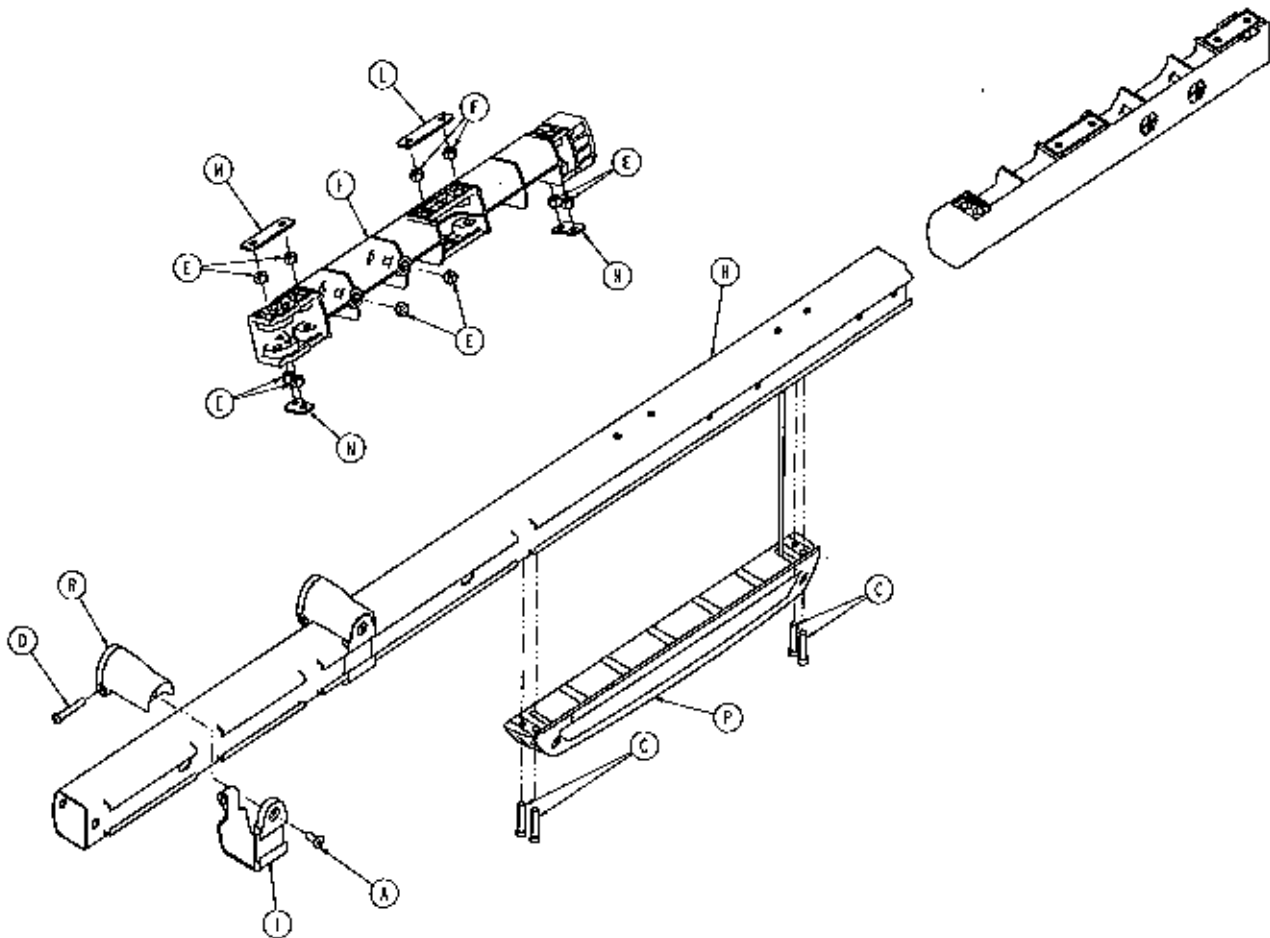


Item	Part No.	Part Name	Qty.
A	8080-025-024	Top Rail	1
B	8060-025-043	Spindle	3
C	6060-025-047	Spindle Lock	1
D	8080-025-041	Spindle Pivot	3
E	8080-025-040	Spindle Pivot Stop	2
F	6060-025-028	Lock Release Grip	1
G	6061-125-030	Lock Bar Casting	1
H	0038-344-000	Lock Release Compression Spring	1
J	8060-025-035	Pivot Bushing	4
K	0025-131-000	Rivet	4

[Return To Table of Contents](#)

# Outer Rail Subassembly, Right

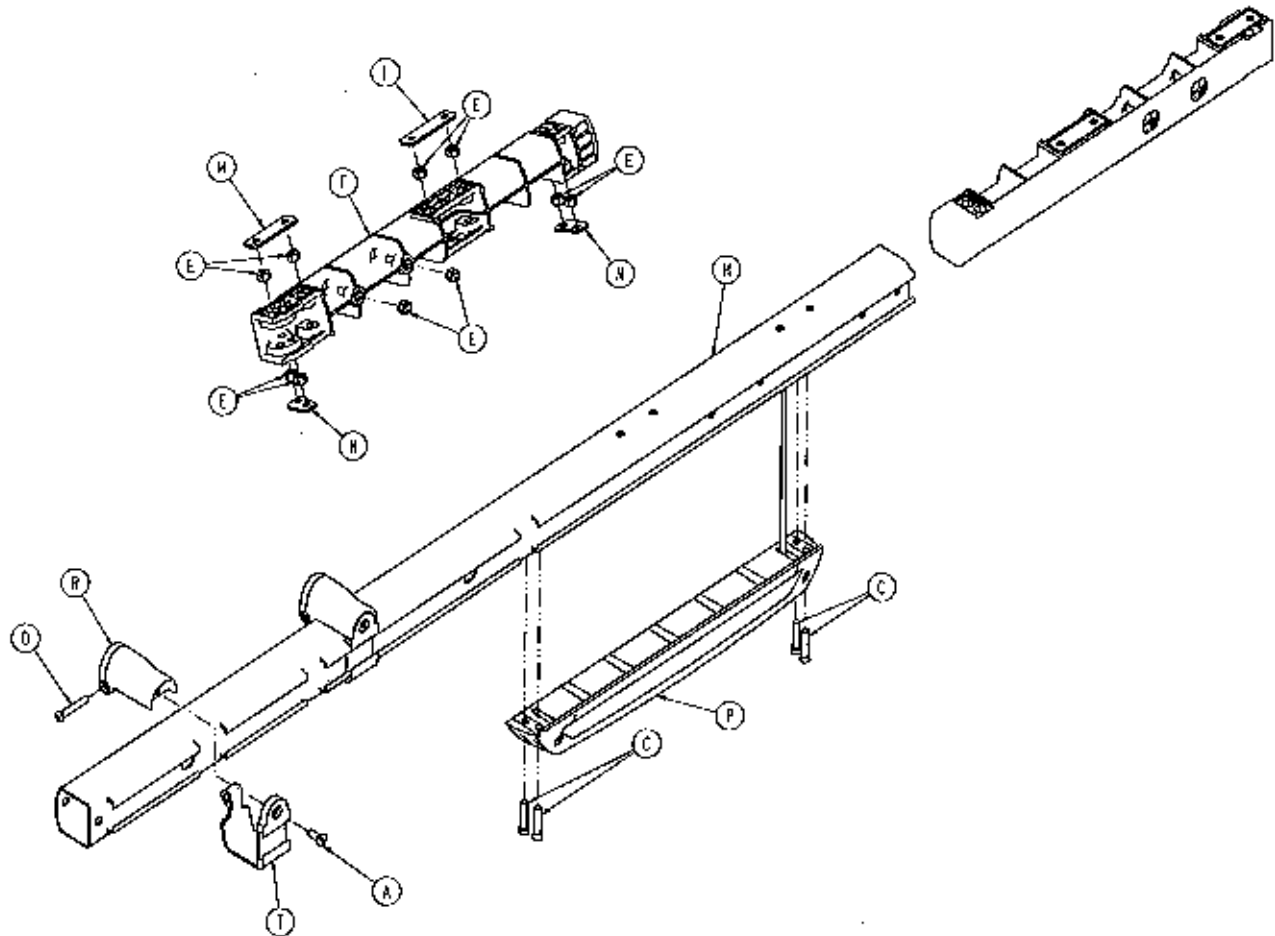
6500-002-032 Rev C (Reference Only)



Item	Part No.	Part Name	Qty.
A	0001-004-011	Flat Head Cap Screw	2
C	0004-613-000	Socket Head Cap Screw	4
D	0004-848-000	Button Head Cap Screw	2
E	0016-028-000	Fiberlock Hex Nut	10
F	6500-001-098	Litter Dead Stop, Internal	1
H	6500-001-114	Outer Rail Extrusion	1
L	6500-001-243	IV. Pole Backer Plate	1
M	6500-001-244	IV. Clip Backer Plate	1
N	6500-001-245	Sensor Housing Backer Plate	2
P	6500-002-028	Hall Sensor Assembly (page 144)	1
R	6500-002-130	Litter Support Bracket	2
T	6500-002-131	Litter Support Bracket, Inner	2

# Outer Rail Subassembly, Left

6500-002-033 Rev C (Reference Only)

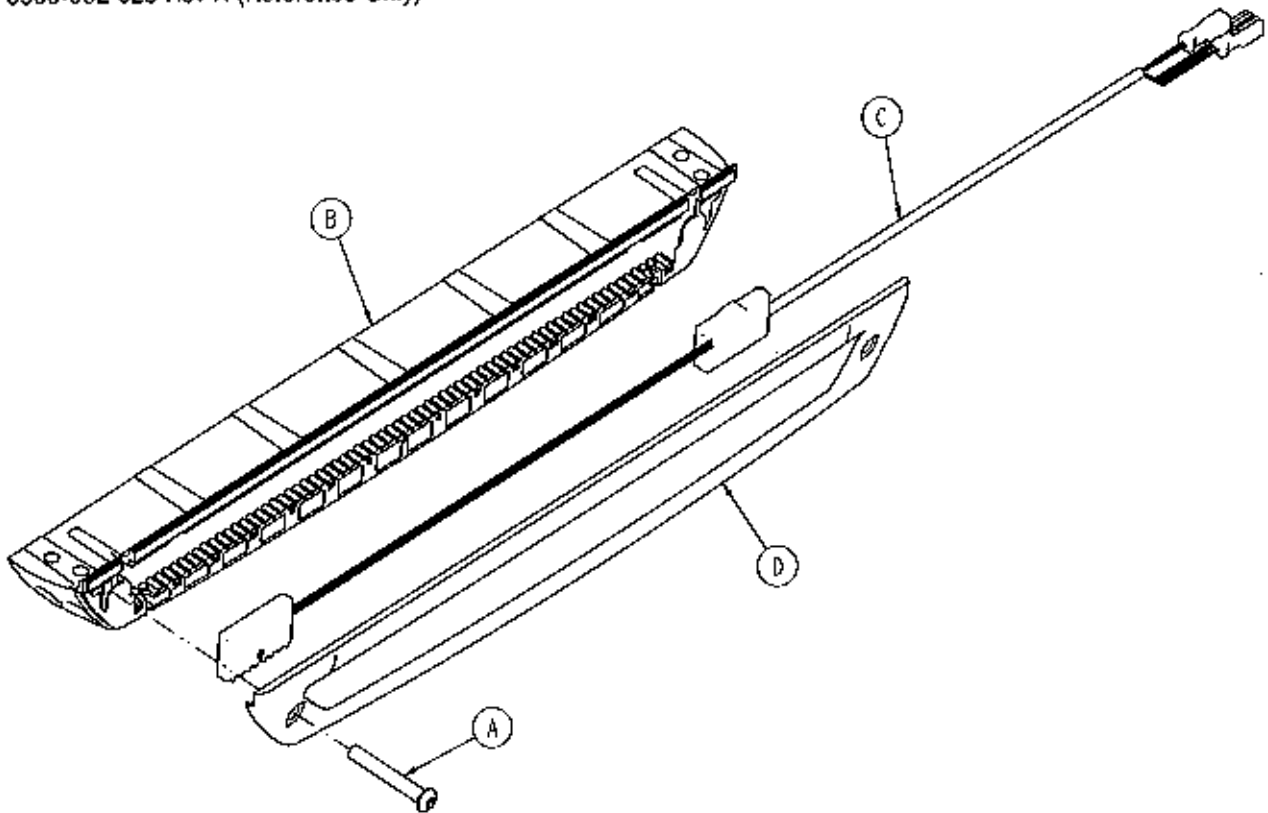


Item	Part No.	Part Name	Qty.
A	0001-004-011	Flat Head Cap Screw	2
C	0004-613-000	Socket Head Cap Screw	4
D	0004-848-000	Button Head Cap Screw	2
E	0016-028-000	Fiberlock Hex Nut	10
F	6500-001-098	Litter Dead Stop, Internal	1
H	6500-001-115	Outer Rail, Right	1
L	6500-001-243	I.V. Pole Backer Plate	1
M	6500-001-244	I.V. Clip Backer Plate	1
N	6500-001-245	Sensor Housing Backer Plate	2
P	6500-002-029	Sensor Housing Assembly (page 145)	1
R	6500-002-130	Litter Support Bracket	2
T	6500-002-131	Litter Support Bracket, Inner	2

[Return To Table of Contents](#)

# Hall Sensor Assembly

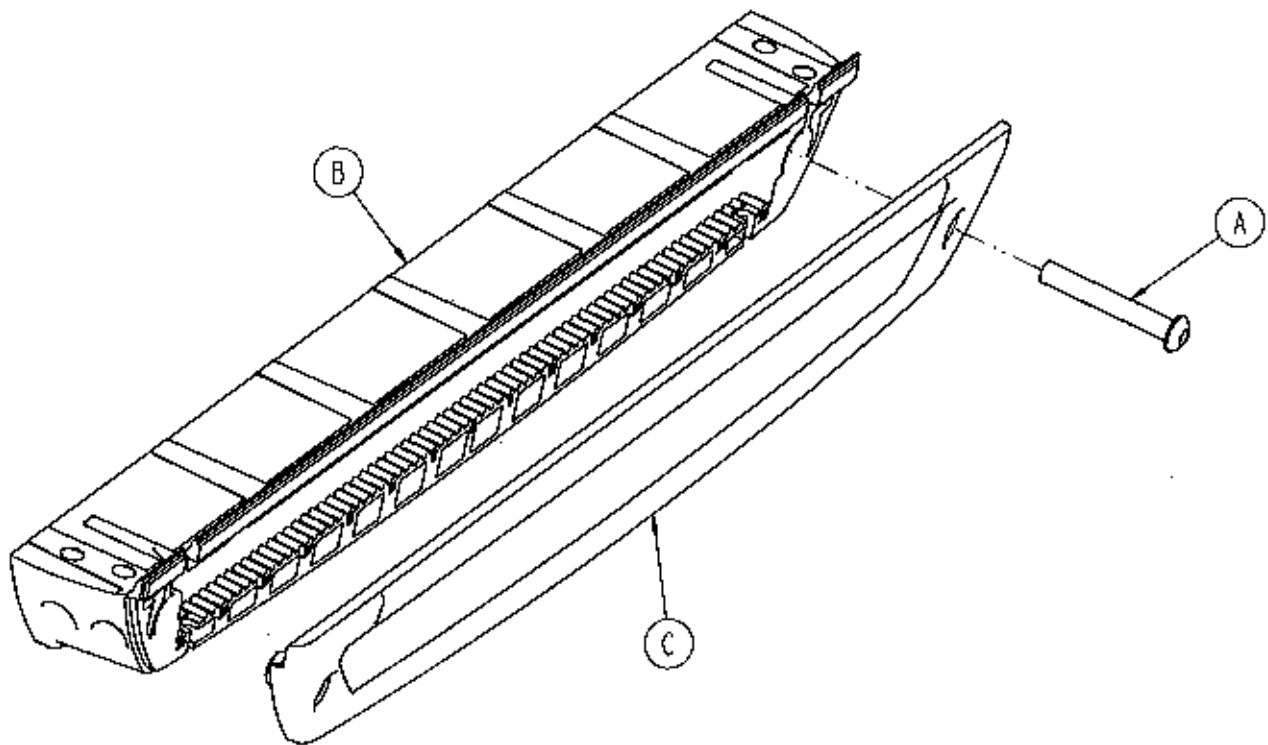
6500-002-028 Rev A (Reference Only)



Item	Part No.	Part Name	Qty.
A	0004-596-000	Button Head Cap Screw	1
B	6500-001-124	Sensor Housing	1
C	6500-001-160	Hall Effects Sensor	1
D	6500-001-199	Housing Cover	1

# Sensor Housing Assembly

6500-002-029 Rev A (Reference Only)

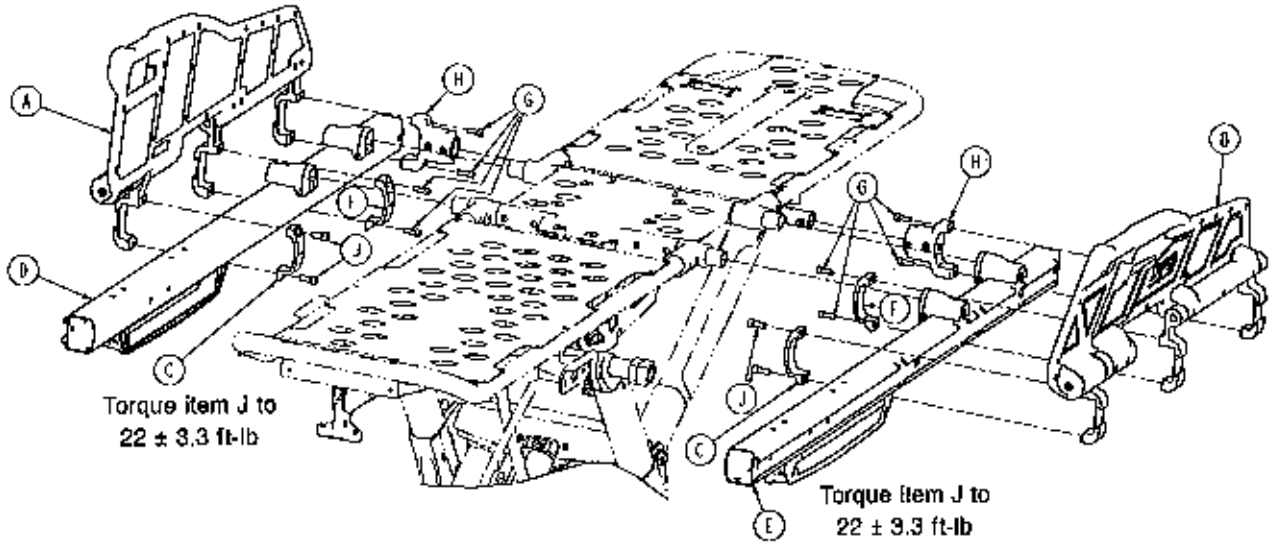


Item	Part No.	Part Name	Qty.
A	0004-598-000	Button Head Cap Screw	1
B	6500-001-124	Sensor Housing	1
C	6500-001-199	Sensor Housing Cover	1

[Return To Table of Contents](#)

## Optional Siderail (XPS Option)

6506-040-000 Rev A (Reference Only)

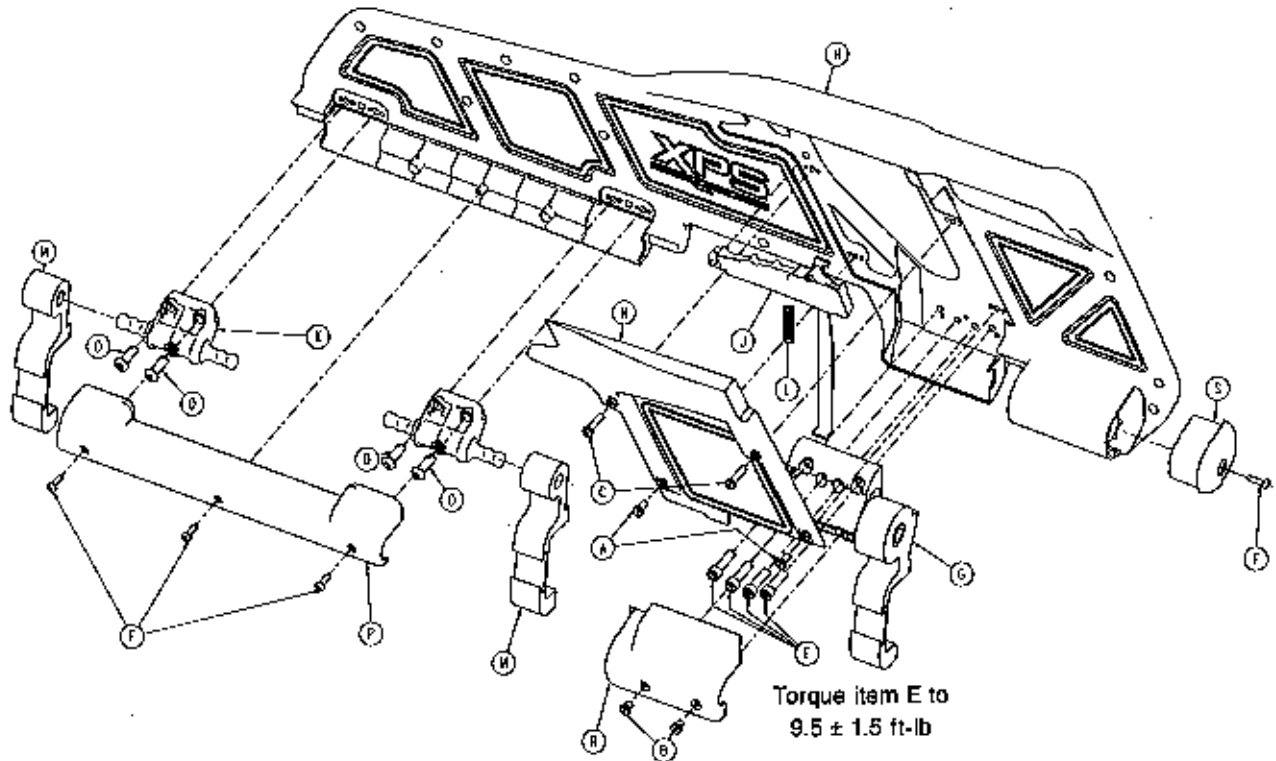


Item	Part No.	Part Name	Qty.
A	6500-003-034	XPS Main Assy, Right (page 147)	1
B	6500-003-044	XPS Main Assembly, Left (page 148)	1
C	6500-003-099	XPS Siderail Clamp	2
D	6500-002-032	Outer Rail Subassy, Right (page 142)	1
E	6500-002-033	Outer Rail Subassy, Left (page 143)	1
F	6500-001-117	Siderail Clamp	2
G	0004-591-000	Socket Head Cap Screw	8
H	6500-001-102	Base/Litter Interface Bracket	2
J	0004-900-000	Socket Head Cap Screw	4



# XPS Main Assembly, Right - 6500-003-034

Rev B

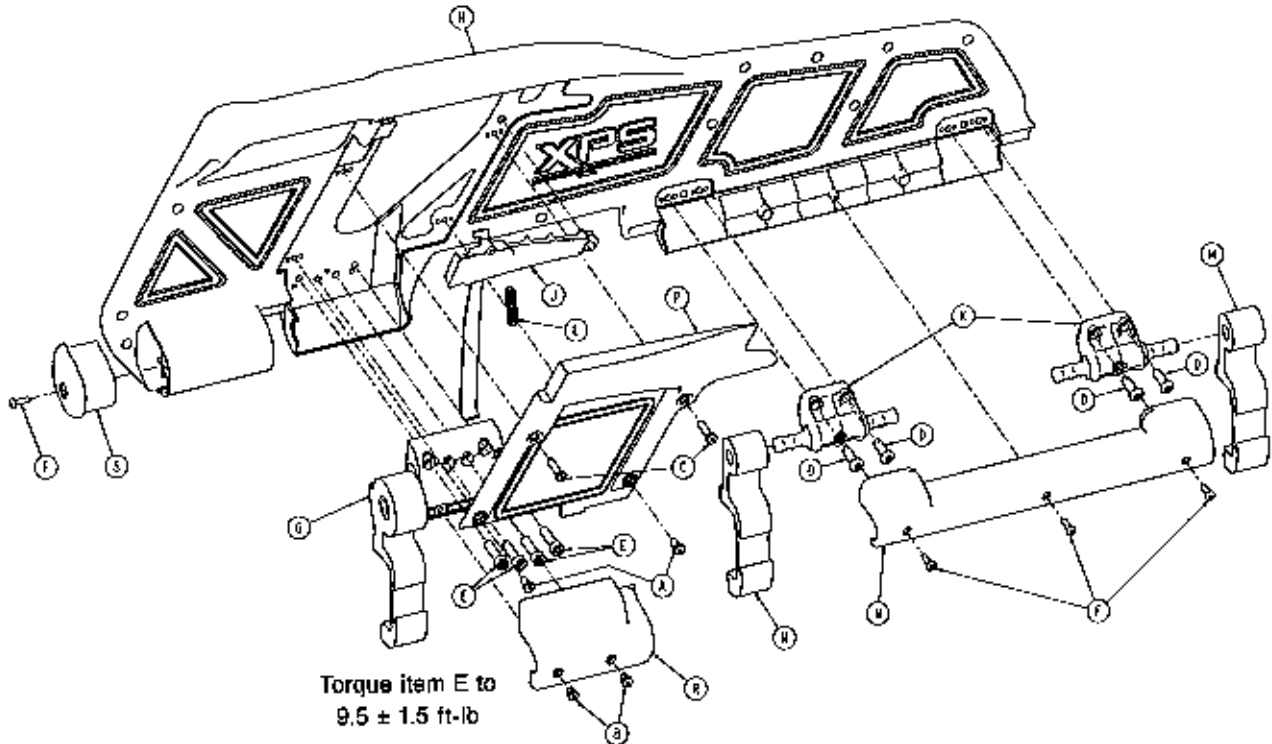


Item	Part No.	Part Name	Qty.
A	0004-400-000	Socket Head Cap Screw	2
B	0004-402-000	Socket Head Cap Screw	2
C	0004-403-000	Socket Head Cap Screw	2
D	0004-468-000	Button Head Cap Screw	4
E	0004-661-000	Socket Head Cap Screw	4
F	0023-162-000	Delta Screw	4
G	6500-003-035	XPS Ratchet Assembly, Right	1
H	6500-003-037	XPS Overmold Assembly, Right	1
J	6500-003-043	XPS Handle Assembly, Right	1
K	6500-003-084	Support Pivot	2
L	6500-003-085	XPS Spring Handle	1
M	6500-003-086	XPS Siderail Pivot	2
N	6500-003-094	XPS Release Cover, Right	1
P	6500-003-097	XPS Pivot Cover	1
R	6500-003-119	XPS Ratchet Cover, Right/Left	1
S	6500-003-121	End Cap Cover, Right	1

[Return To Table of Contents](#)

# XPS Main Assembly, Left - 6500-003-044

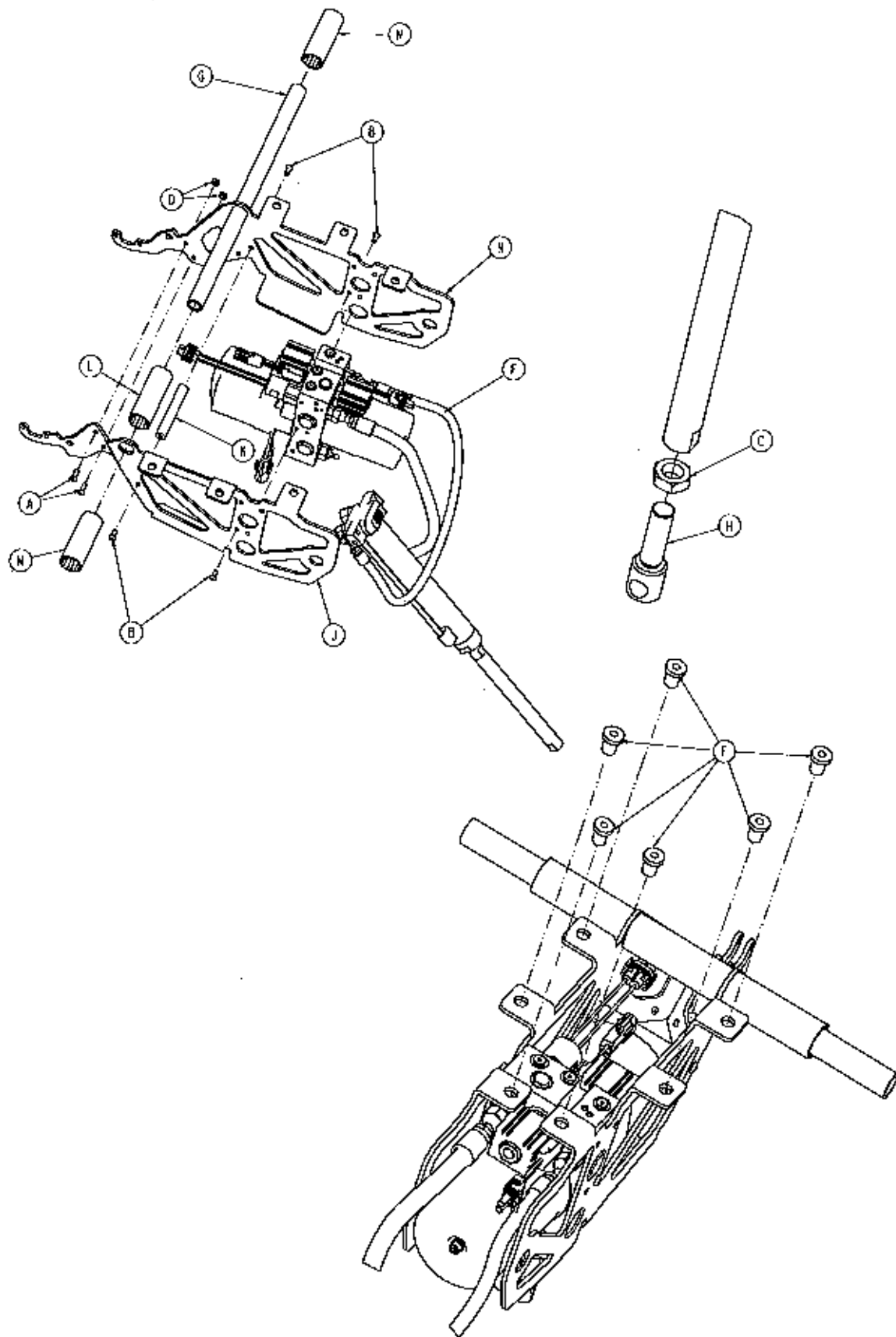
Rev B



Item	Part No.	Part Name	Qty.
A	0004-400-000	Socket Head Cap Screw	2
B	0004-402-000	Socket Head Cap Screw	2
C	0004-403-000	Socket Head Cap Screw	2
D	0004-468-000	Button Head Cap Screw	4
E	0004-661-000	Socket Head Cap Screw	4
F	0023-162-000	Delta Screw	4
G	6500-003-036	XPS Ratchet Assembly, Right	1
H	6500-003-038	XPS Overmold Assembly, Right	1
J	6500-003-045	XPS Handle Assembly, Right	1
K	6500-003-084	Support Pivot	2
L	6500-003-085	XPS Spring Handle	1
M	6500-003-086	XPS Siderall Pivot	2
N	6500-003-097	XPS Pivot Cover	1
P	6500-003-102	XPS Release Cover, Left	1
R	6500-003-120	XPS Ratchet Cover, Right/Left	1
S	6500-003-122	End Cap Cover, Right	1

# Powerplant Assembly

6500-002-031 Rev B (Reference Only)



[Return To Table of Contents](#)

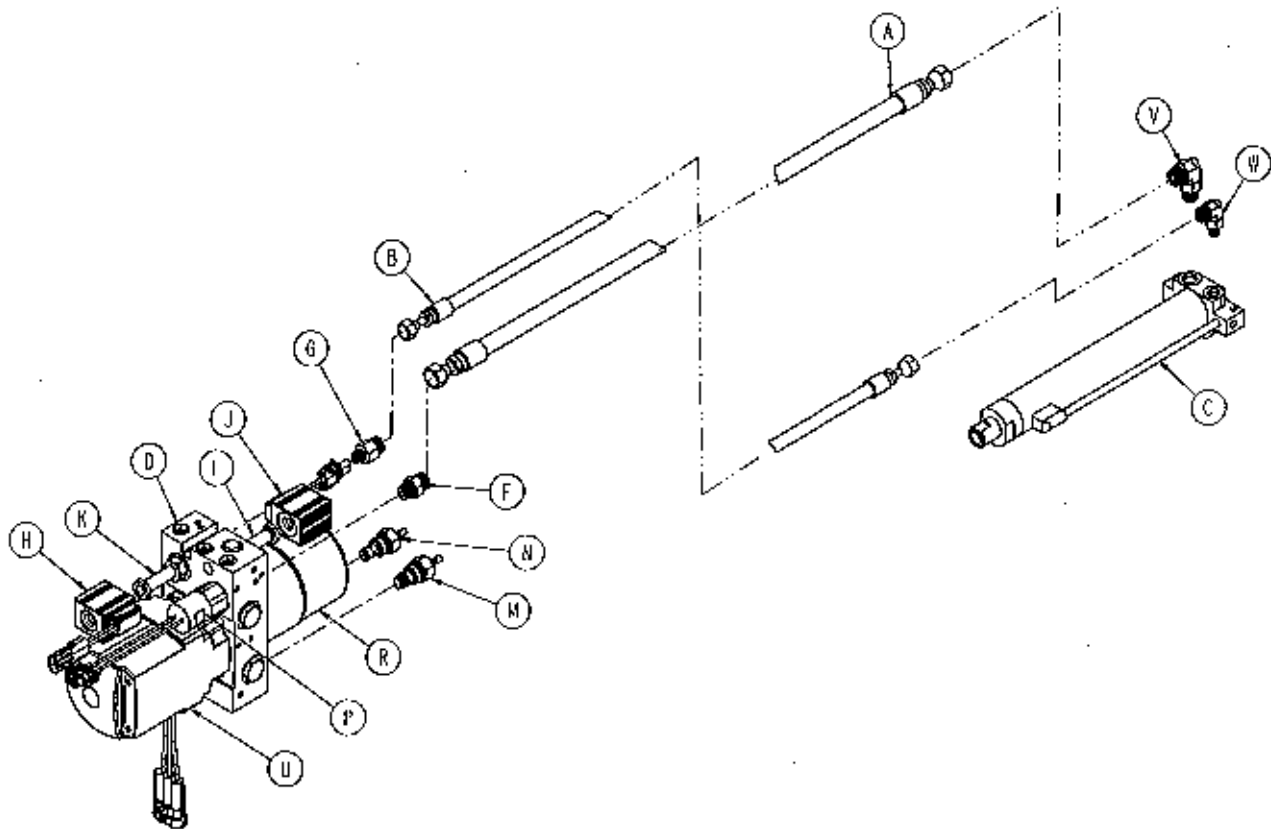
# Powerplant Assembly

---

## Powerplant Assembly - 6500-002-031 Rev B (Reference Only)

Item	Part No.	Part Name	Qty.
A	0004-577-000	Button Head Cap Screw	2
B	0004-589-000	Button Head Cap Screw	4
C	0015-052-000	Hex Jam Nut	1
D	0016-102-000	Nylock Hex Nut	2
E	0055-100-074	Well Nut	6
F	6500-001-030	Hydraulic (page 151)	1
G	6500-001-105	Litter Support Cross Tube	1
H	6500-001-169	Cylinder Rod End	1
J	6500-002-194	Motor Mount, Right	1
K	6500-001-212	Motor Mount Cross Bar	1
L	6500-001-249	Plastic Extrusion Spacer	1
M	6500-001-250	Plastic Extrusion Spacer	2
N	6500-002-294	Motor Mount, Left	1

# Hydraulic Subassembly - 6500-001-030

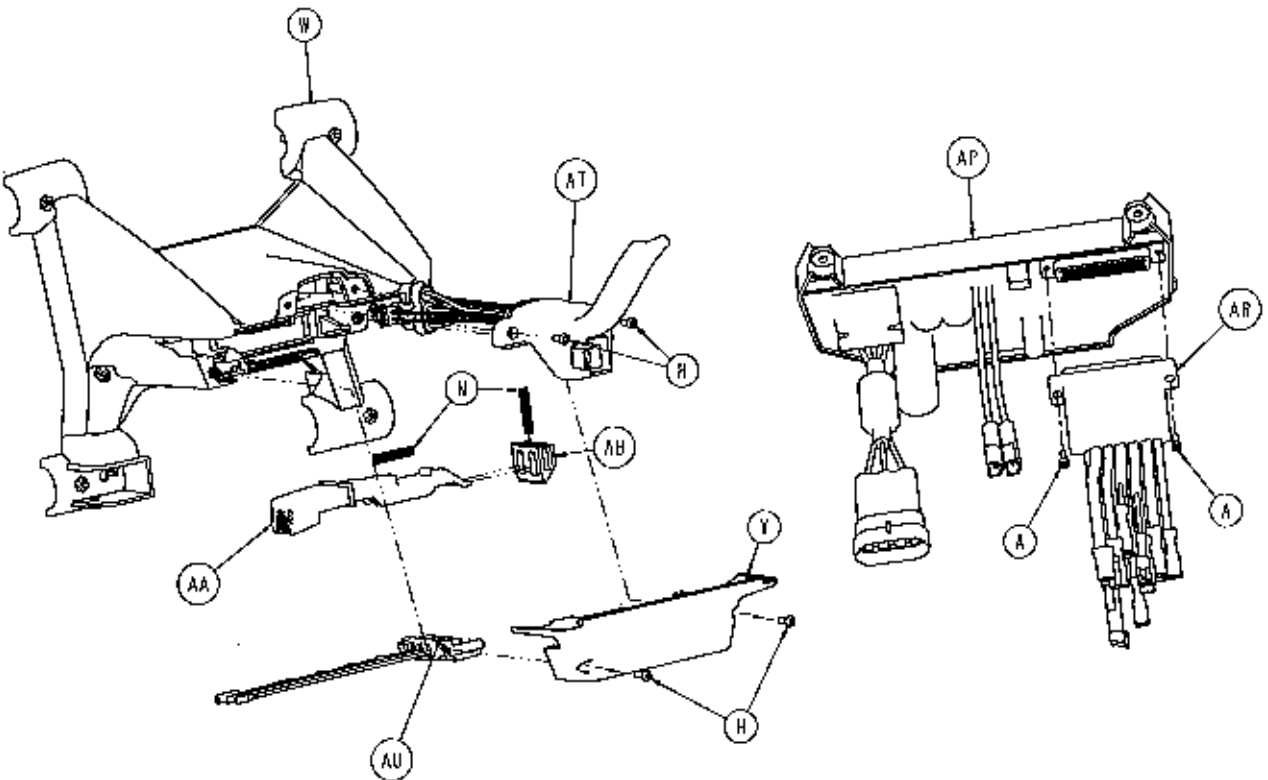
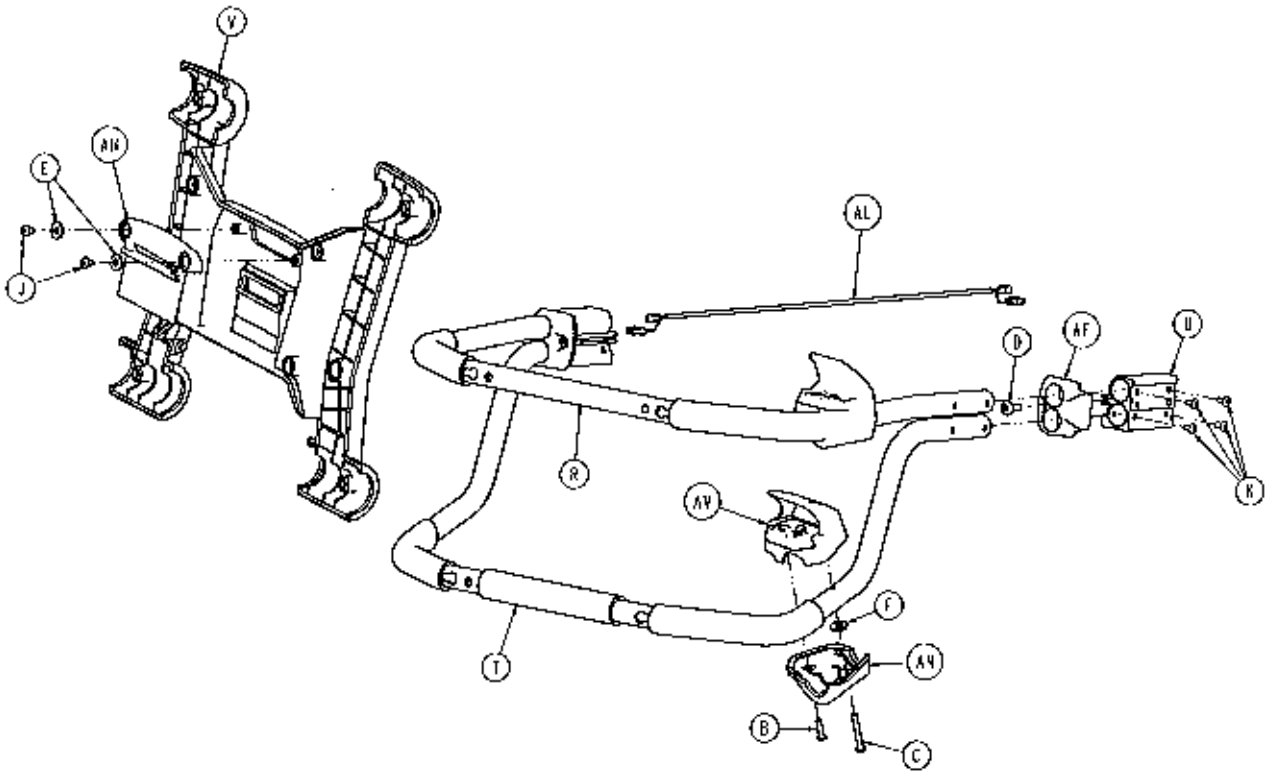


Item	Part No.	Part Name	Qty.
A	6500-001-210	Cap Side Hose	1
B	6500-001-211	Rod Side Hose	1
C	6500-001-213	Cylinder	1
D	6500-001-214	Manifold Assembly	1
E	6500-001-270	Pressure Compensated Flow Control	1
F	6500-001-282	Manifold Cap Side Hose Fitting	1
G	6500-001-283	Manifold Rod Side Hose Fitting	1
H	6500-001-284	A Value Solenoid	1
J	6500-001-285	B Value Solenoid	1
K	6500-001-286	A Valve	1
L	6500-001-287	B Valve	1
M	6500-001-288	Locking Manual Valve	1
N	6500-001-289	Non-Locking Manual Valve	1
P	6500-001-290	Pressure Switch	1
R	6500-001-291	Reservoir	1
T	6500-001-293	Hydraulic Fluid	1
U	6500-001-295	Motor	1
V	6500-001-296	Cylinder Cap Side Hose Fitting	1
W	6500-001-297	Cylinder Rod Side Hose Fitting	1
Y	6500-001-299	Hydraulic Fill Plug	1

[Return To Table of Contents](#)

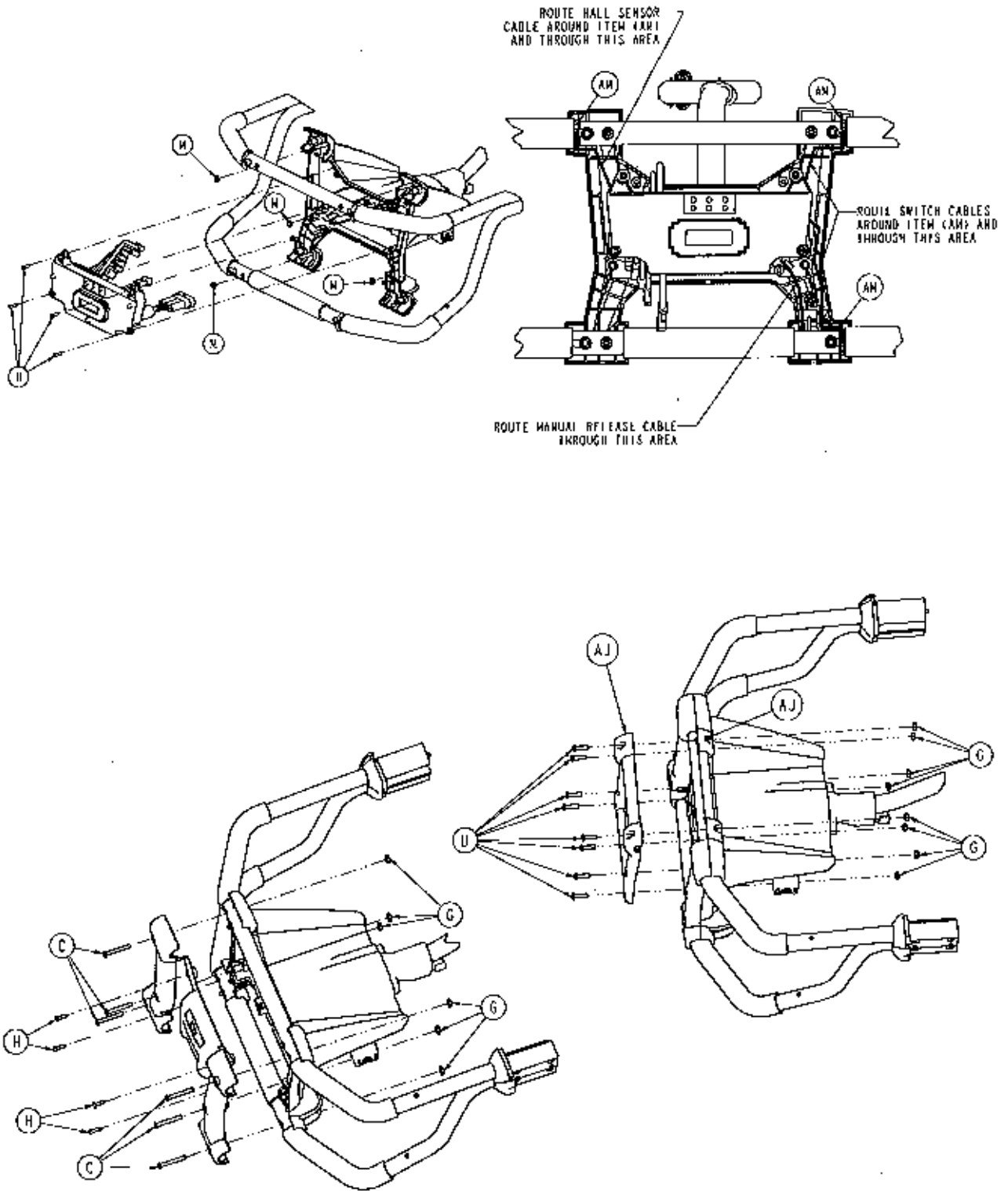
# Foot End Assembly

6500-102-015 Rev A (Reference Only)



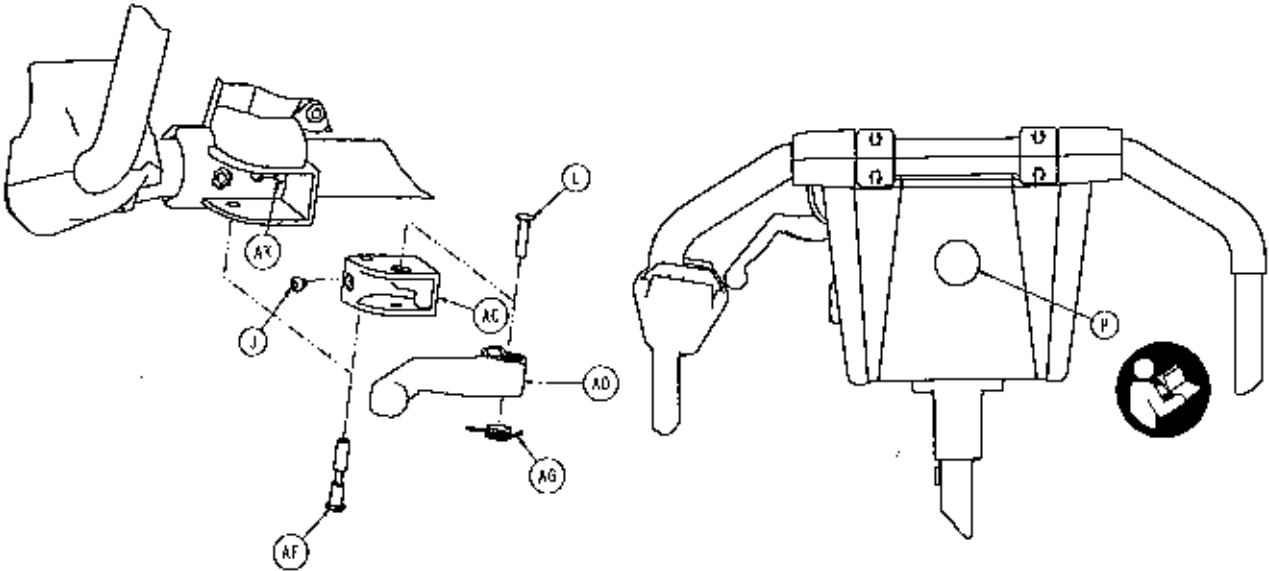
[Return To Table of Contents](#)

# Foot End Assembly



[Return To Table of Contents](#)

# Foot End Assembly





# Foot End Assembly

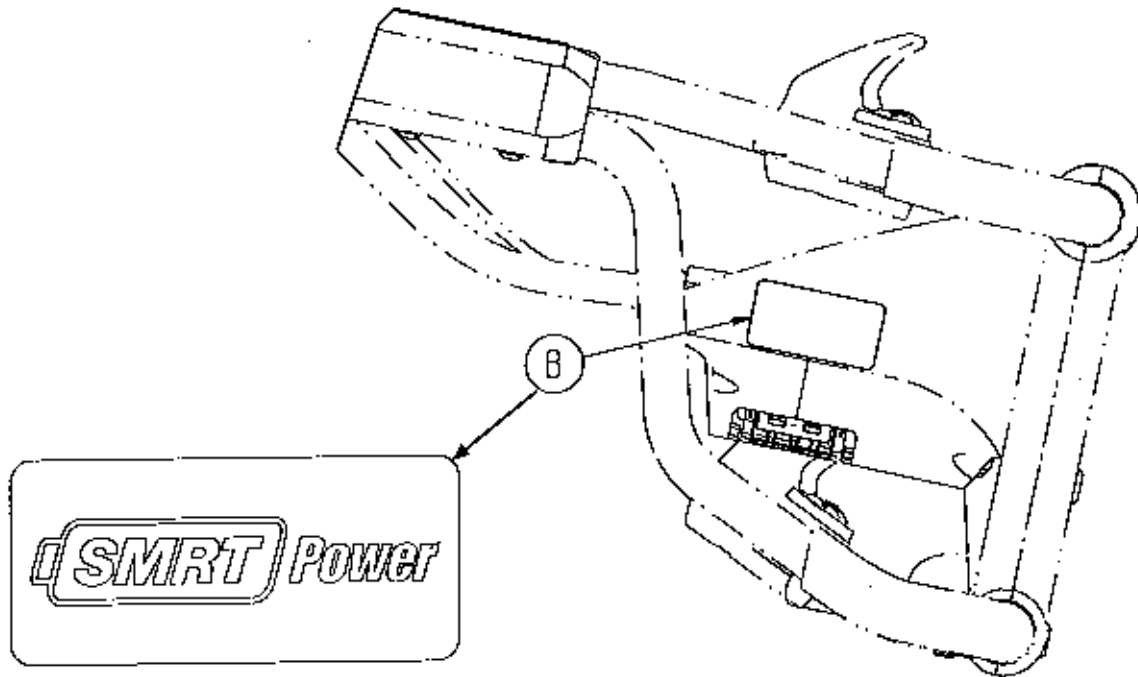
## Foot End Assembly - 6500-102-015 Rev A (Reference Only)

Item	Part No.	Part Name	Qty.
A	0004-874-000	Socket Head Cap Screw	2
B	0004-614-000	Button Head Cap Screw	10
C	0004-615-000	Button Head Cap Screw	8
D	0007-086-000	Truss Head Screw	2
E	0011-062-000	Washer	2
F	0011-543-000	Washer	2
G	0016-131-000	Nylock Hex Nut	14
H	0023-182-000	Screw	12
J	0023-183-000	Screw	3
K	0025-079-000	Dome Head Rivet	8
L	0025-113-000	Semi-Tubular Rivet	1
M	0028-116-000	Pushnut	4
N	0038-572-000	Compression Spring	2
P	6506-001-900	Label	1
R	6500-001-131	Upper Lifting Bar	1
T	6500-001-132	Lower Lift Bar	1
U	6500-001-133	Machined Extruded Bracket	2
V	6500-001-134	Battery Enclosure Face Plate	1
W	6500-001-135	Foot End Enclosure Top Plate	1
Y	6500-001-136	Foot End Enclosure Bottom Plate	1
AA	6500-001-138	Battery Release Button	1
AB	6500-001-139	Battery Release Lock	1
AC	6500-001-140	Manual Release Actuator Pivot	1
AD	6500-001-141	Manual Release Actuator Lever	1
AE	6500-001-144	Transition Cap	2
AF	6500-001-146	Manual Release Pivot Pin	1
AG	6500-001-147	Single Spring	1
AH	6500-001-153	Light Panel ORB	1
AJ	6500-001-154	Pull Handle, Outside	2
AK	6500-001-156	Manual Release Cable Assembly	1
AL	6500-001-161	Hall Effects Cable	1
AM	6500-001-275	Wire Route Clip	3
AN	6500-001-358	Lower Housing Button, Foot End	2
AP	6500-002-014	Control Board	1
AR	6500-002-103	Cot Dongle	1
AT	6500-002-159	Cable Assembly	1
AU	6500-002-218	Cot Connector Cable Assembly	1
AV	6500-101-016	Button Assembly (page 157)	2

[Return To Table of Contents](#)

## Label, SMRT Power

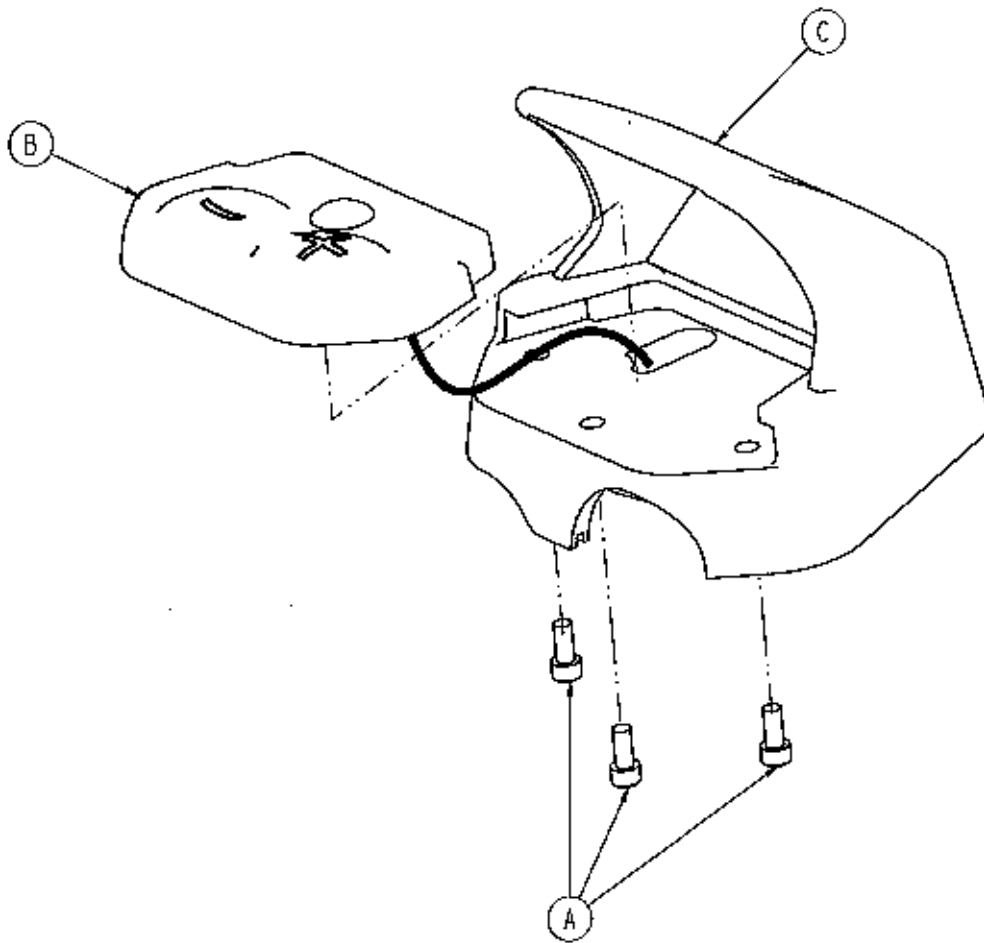
6500-027-000 Rev B (Reference Only)  
6500-028-000 Rev B (Reference Only)



Item	Part No.	Part Name	Qty.
B	6500-001-356	Label, SMRT™ Power	1

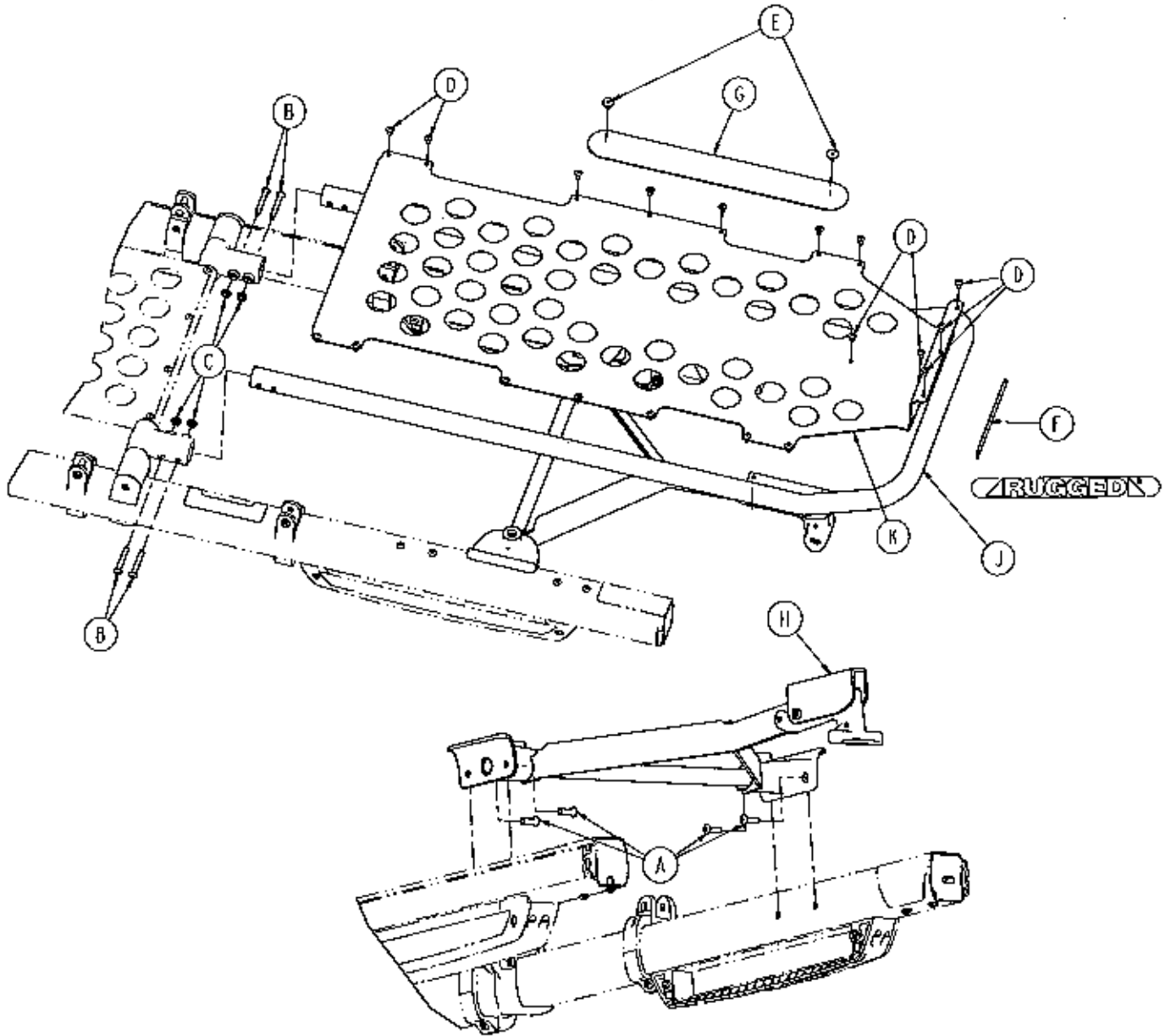
# Button Assembly - 6500-101-016

Rev C



Item	Part No.	Part Name	Qty.
A	37J102-1	Socket Head Cap Screw	3
B	6500-101-130	Switch	1
C	6500-001-359	Button Upper Housing, Foot End	1

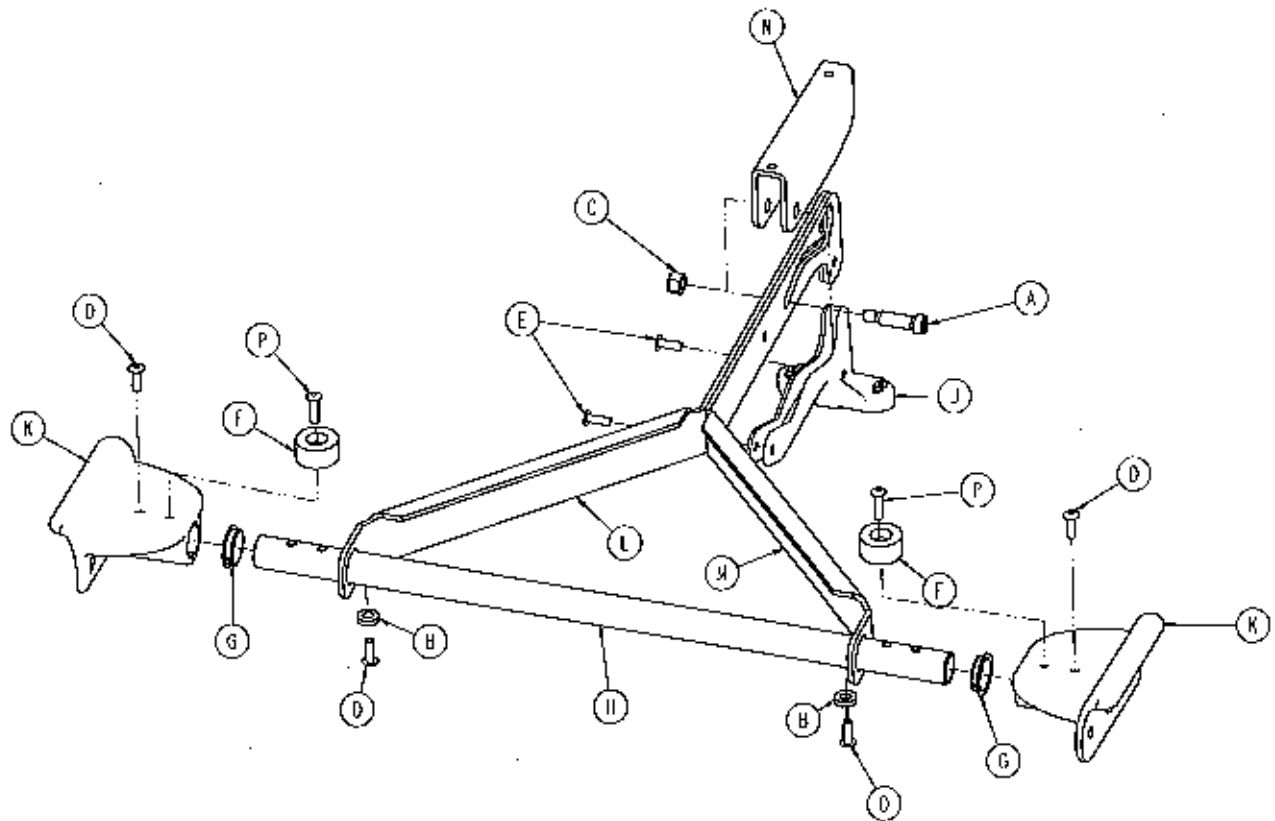
[Return To Table of Contents](#)



Item	Part No.	Part Name	Qty.
A	0004-592-000	Button Head Cap Screw	4
B	0004-596-000	Button Head Cap Screw	4
C	0016-102-000	Nylock Hex Nut	4
D	0025-079-000	Dome Head Rivet	19
E	0025-132-000	Dome Head Rivet	2
F	6060-090-004	Label, Small	1
G	6082-001-065	2" Adhesive Loop Pole	1
H	8500-001-019	Trend Assembly (page 159)	1
J	6500-001-197	Foot Section Tube	1
K	6500-001-198	Foot Section Skin	1

# Trend Assembly

6500-001-019 Rev C (Reference Only)

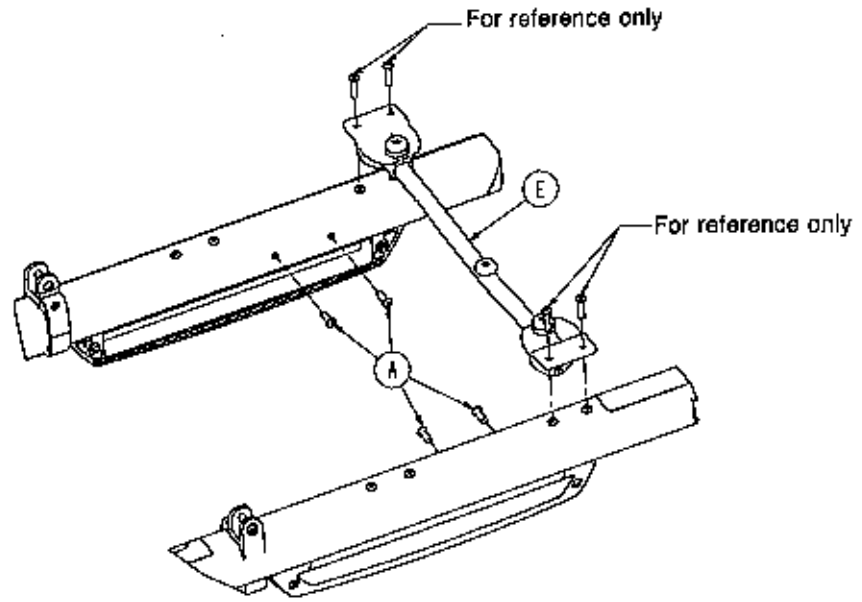
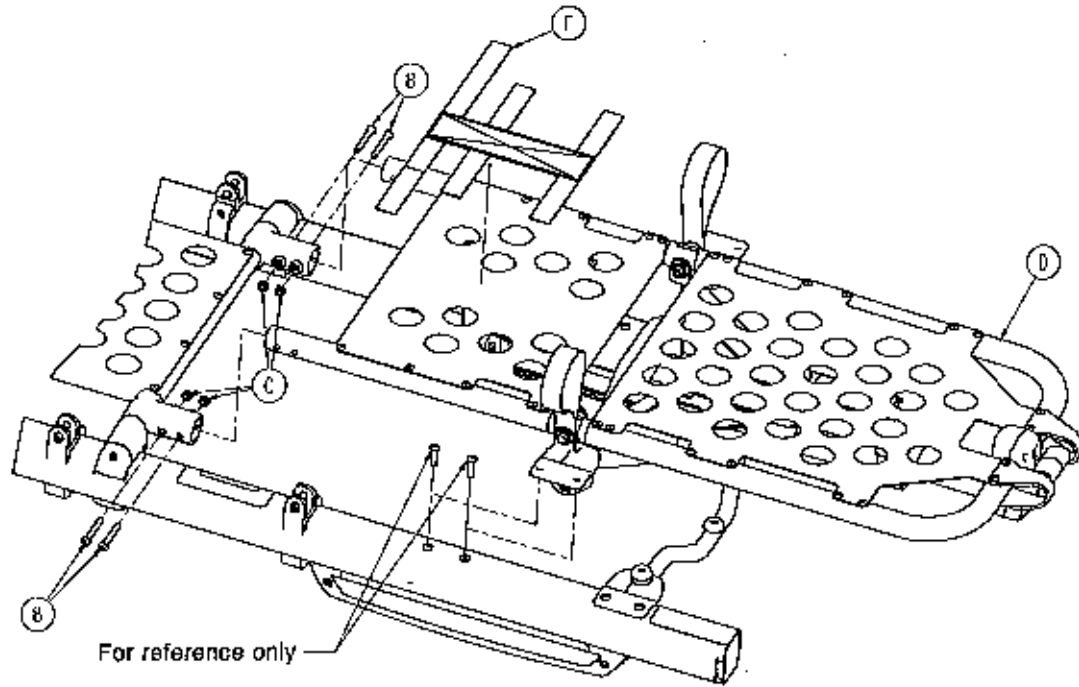


Item	Part No.	Part Name	Qty.
A	0008-074-000	Socket Head Shoulder Screw	1
B	0014-067-000	Washer	2
C	0016-028-000	Nut	1
D	0025-133-000	Rivet	4
E	0025-186-000	Rivet	2
F	0056-016-000	Bumper	2
G	0081-255-000	Split Bearing	2
H	6500-001-107	Litter Cross Tube	1
J	6500-001-108	Trend Release	1
K	6500-001-109	Trend Bracket	2
L	6500-001-203	Calf Stand Support, Right	1
M	6500-001-204	Calf Stand Support, Left	1
N	6500-001-205	Retainer, Calf Stand	1
P	0025-086-000	Rivet	2

[Return To Table of Contents](#)

# Optional Gatch - 6500-082-000

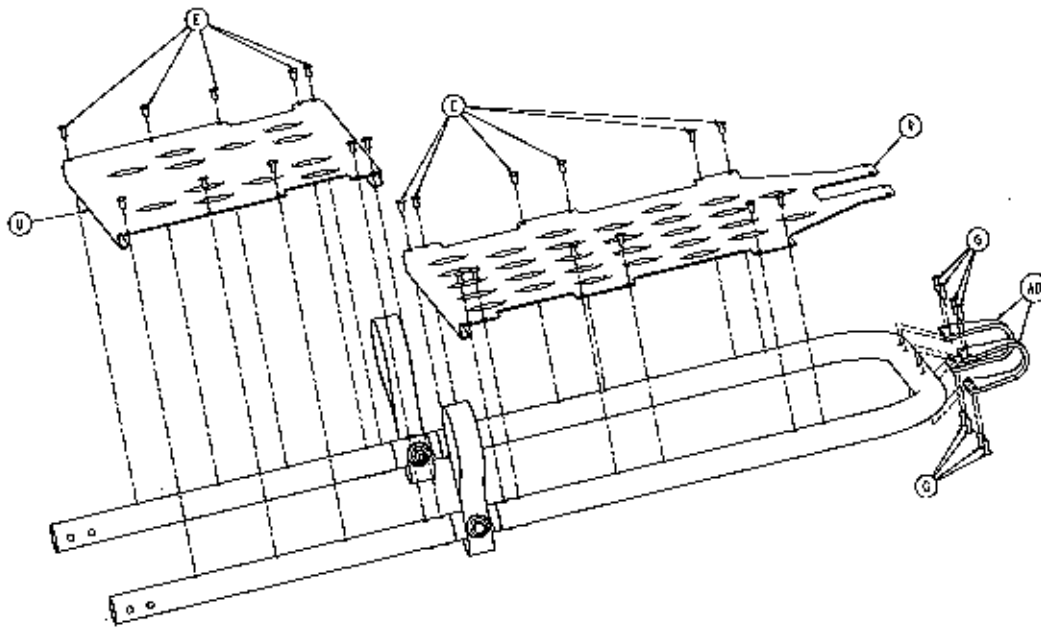
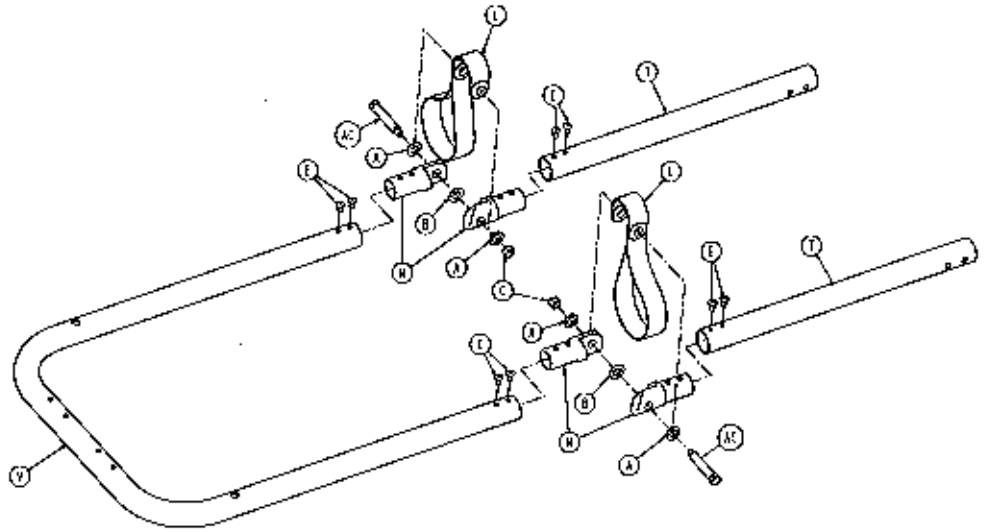
Rev A



Item	Part No.	Part Name	Qty.
A	0004-592-000	Button Head Cap Screw	4
B	0004-596-000	Button Head Cap Screw	4
C	0016-102-000	Nylock Hex Nut	4
D	6500-001-048	Gatch Assembly (page 161)	1
E	6085-001-031	Gatch Support Assembly (page 184)	1
F	6550-001-197	Velcro® Strap	1

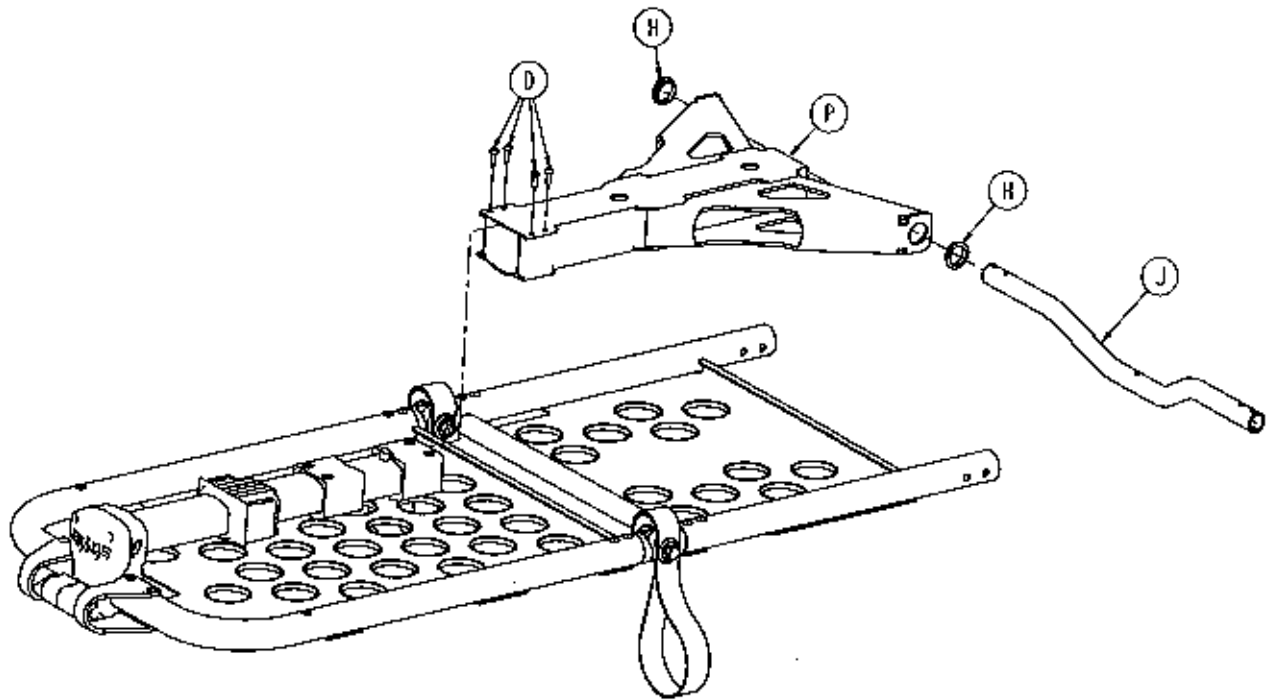
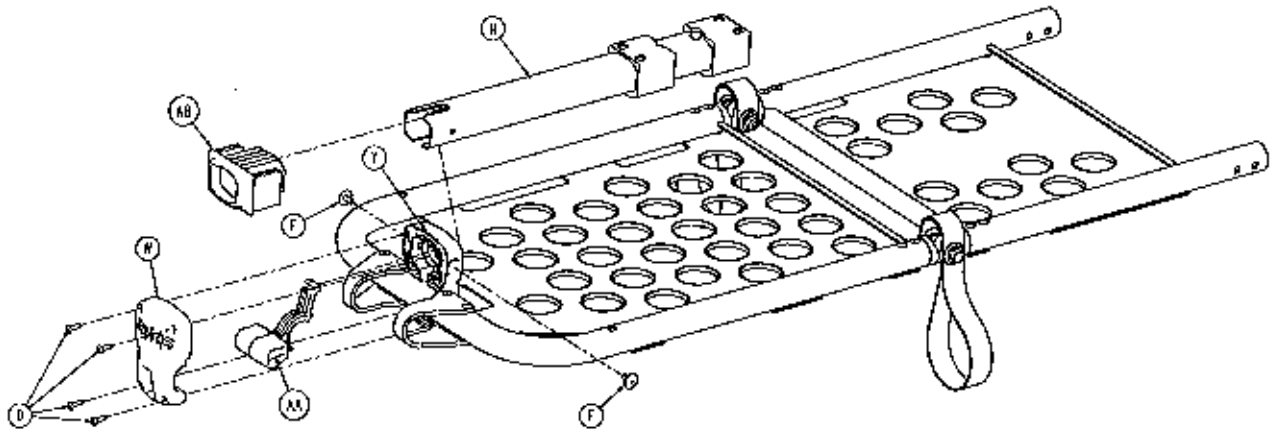
# Optional Gatch Assembly

6500-001-048 Rev A (Reference Only)



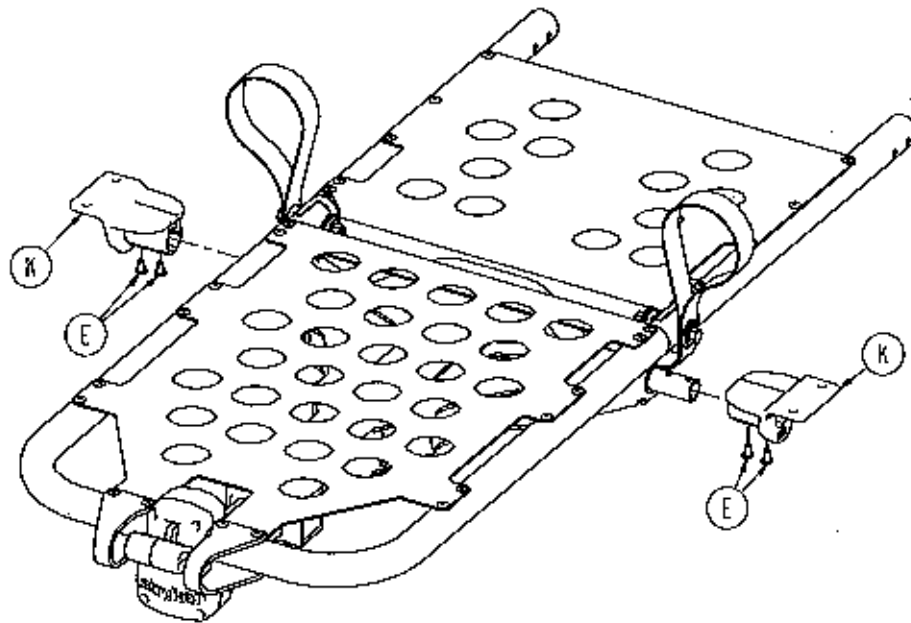
[Return To Table of Contents](#)

# Optional Gatch Assembly





# Optional Gatch Assembly



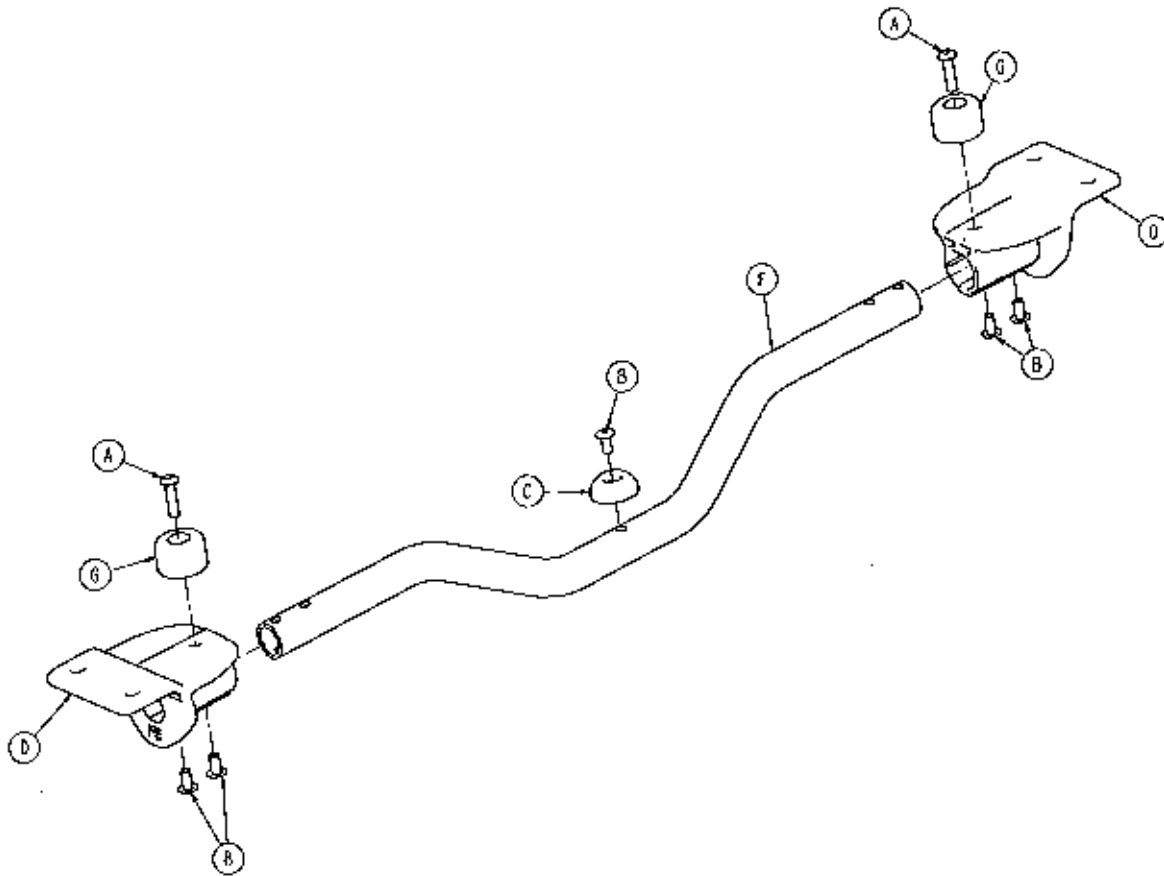
Optional Gatch Assembly - 6500-001-048 Rev A (Reference Only)

Item	Part No.	Part Name	Qty.
A	0011-448-000	Washer	4
B	0014-020-000	Washer	2
C	0016-028-000	Fiberlock Hex Nut	2
D	0023-162-000	Delta Screw	8
E	0025-079-000	Dome Head Rivet	34
F	0025-132-000	Dome Head Rivet	2
G	0025-133-000	Dome Head Rivet	8
H	0081-255-000	Split Bearing	2
J	6500-001-346	Gatch Cross Tube	1
K	6085-001-125	Gatch Support, Mid	2
L	6100-031-096	Trend Lift Strap	2
M	6100-031-108	Gatch Pivot	4
N	6550-001-017	Gatch Telescoping Assembly	1
P	6550-001-057	Gatch Lock Tube Weldment	1
R	6550-001-110	Foot Section Skin	1
T	6550-001-111	Thigh Section Tube	2
U	6550-001-112	Thigh Section Skin	1
V	6550-001-116	Foot Section U-Tube	1
W	6550-001-124	Front Gatch Release	1
Y	6550-001-125	Back Gatch Release	1
AA	6550-001-126	Gatch Release Lever	1
AB	6550-001-131	Gatch Bearing End Cap	1
AC	6550-001-186	Gatch Pivot Pin	2
AD	6550-001-183	Gatch Handle Guard	2

[Return To Table of Contents](#)

# Optional Gatch Support Assembly

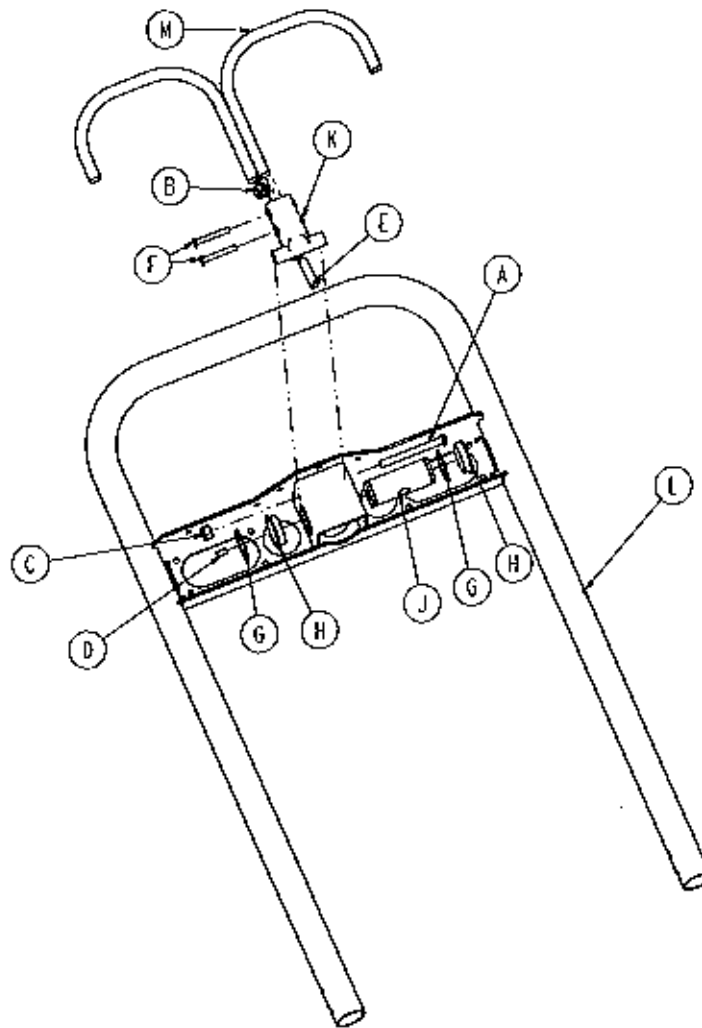
6085-001-031 Rev C (Reference Only)



Item	Part No.	Part Name	Qty.
A	0004-614-000	Button Head Cap Screw	2
B	0025-079-000	Dome Head Rivet	5
C	0946-001-155	Bumper	1
D	6085-001-135	Gatch Support, Foot End	2
F	6500-001-346	Gatch Crosstube	1
G	0056-028-000	Bumper, Black	2

# Fowler Assembly

8500-001-018 Rev C (Reference Only)

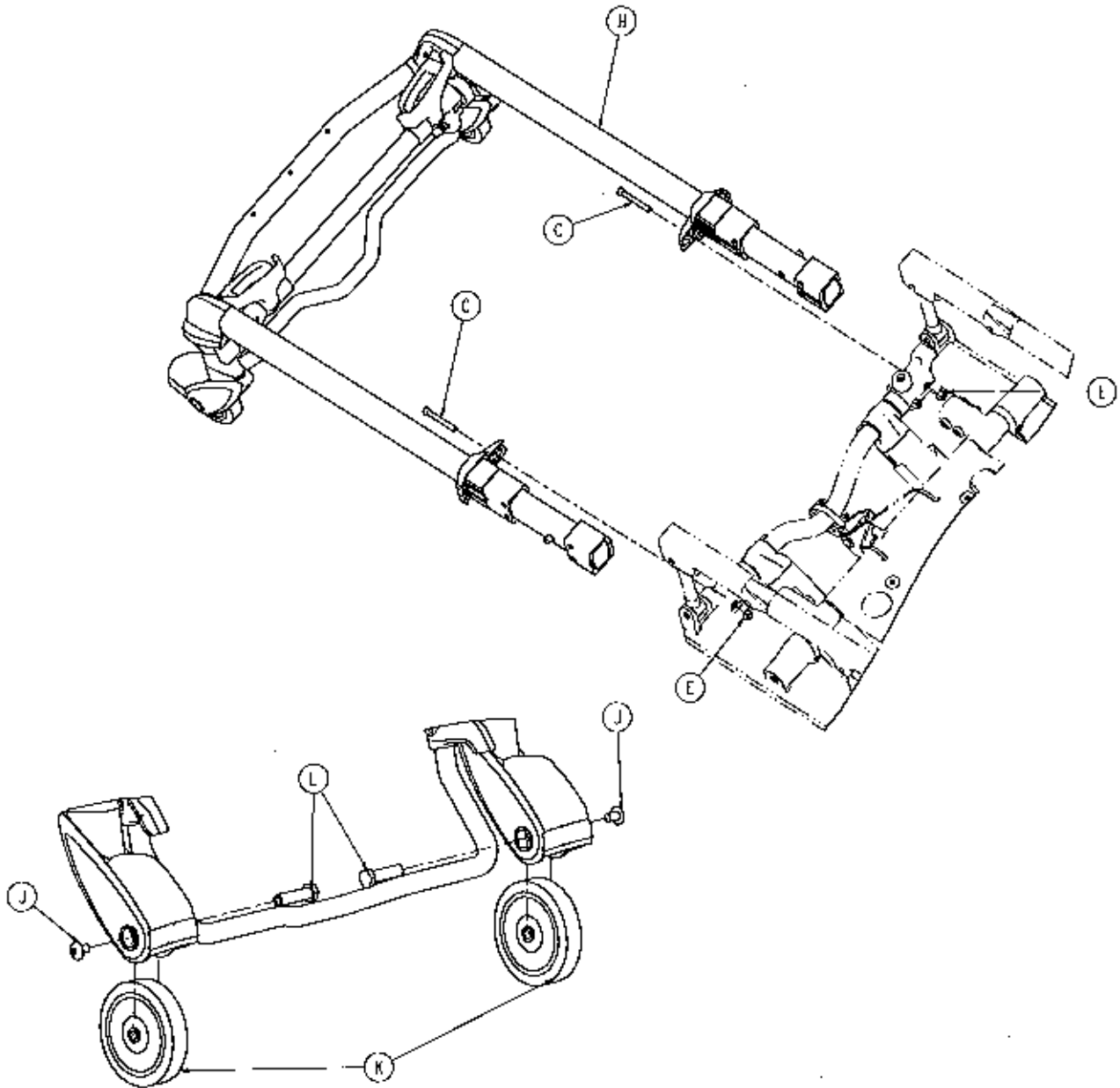


Item	Part No.	Part Name	Qty.
A	0004-597-000	Button Head Cap Screw	1
B	0015-050-000	Hex Nut	1
C	0016-028-000	Hex Nut	1
D	0021-180-000	Set Screw	1
E	0021-138-000	Set Screw	1
F	0025-131-000	Rivet	2
G	0028-078-000	External Retaining Ring	2
H	0948-035-025	Liner	2
J	6060-032-038	Gas Spring Yoke	1
K	6060-032-040	Fowler Lift Pivot	1
L	6082-032-050	Fowler Weldment	1
M	6082-032-052	Release Handle Weldment	1

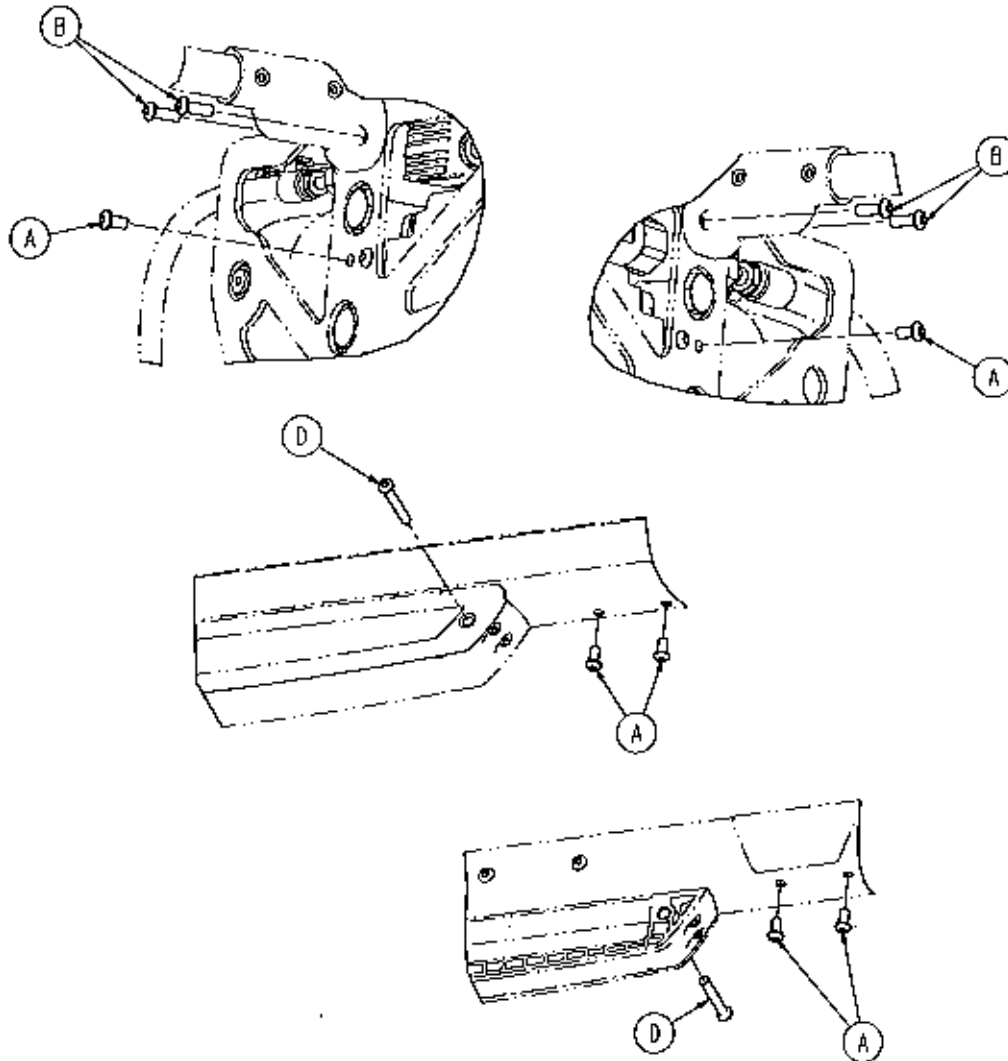
[Return To Table of Contents](#)

# Non-Power-LOAD Compatible Option

6506-029-000 Rev B (Reference Only)



## Non-Power-LOAD Compatible Option



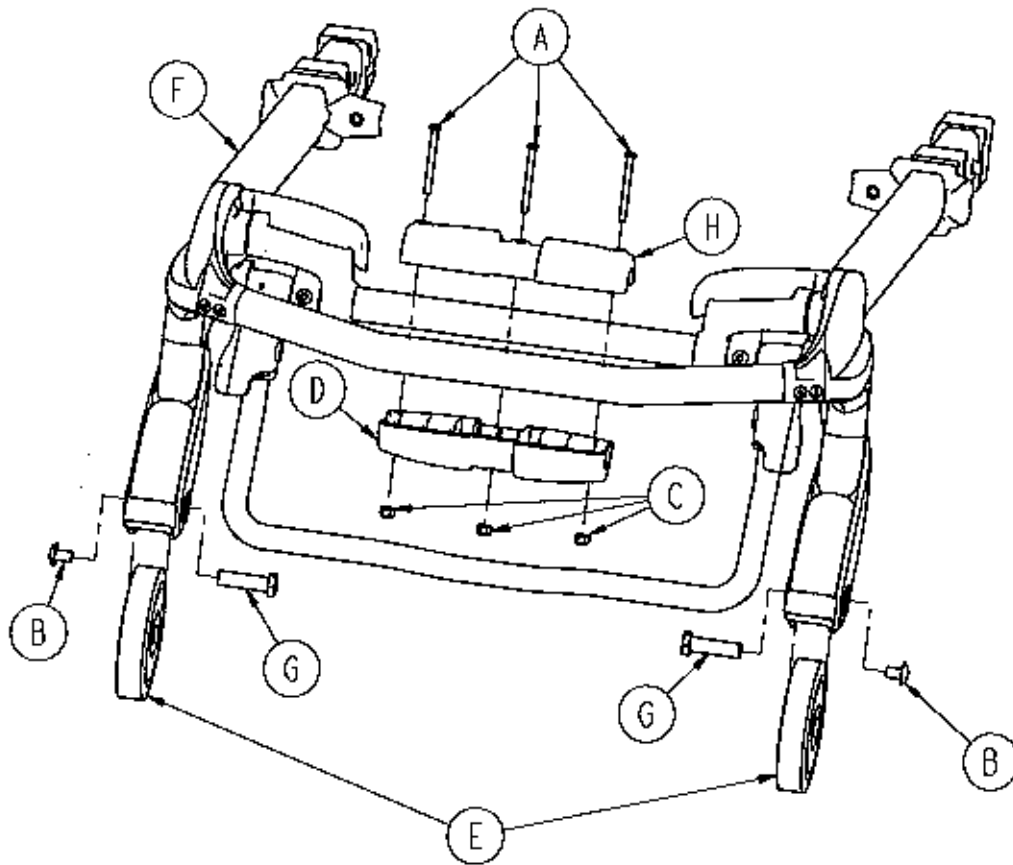
### Non-Power-LOAD Compatible Option - 6506-029-000 Rev B (Reference Only)

Item	Part No.	Part Name	Qty.
A	0004-589-000	Button Head Cap Screw	6
B	0004-593-000	Button Head Cap Screw	4
C	0004-595-000	Socket Head Cap Screw	2
D	0004-598-000	Button Head Cap Screw	2
E	0016-028-000	Fiberlock Hex Nut	2
H	6500-002-020	Headsection (page 170)	1
J	0007-556-000	Truss Head Machine Screw	2
K	6500-001-086	Front Wheel	2
L	6500-002-106	Load Wheel Spacer	2

[Return To Table of Contents](#)

# Headsection (Not Power-LOAD Compatible) - 6506-001-020

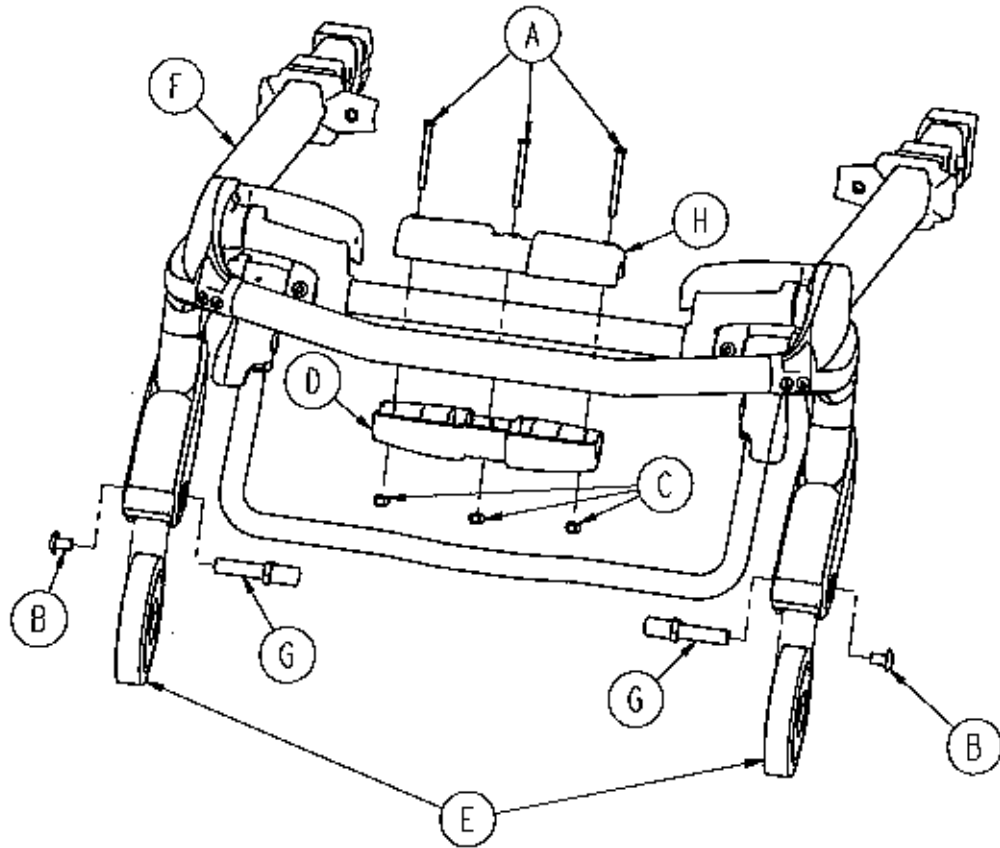
Rev A



Item	Part No.	Part Name	Qty.
A	0004-656-000	Socket Head Cap Screw	3
B	0007-556-000	Truss Head Machine Screw	2
C	0016-002-000	Fiberlock Hex Nut	3
D	6085-001-174	Oxygen Bottle Holder, Bottom	1
E	6500-001-086	Front Wheel	2
F	6500-002-020	Headsection (page 170)	1
G	6500-002-108	Load Wheel Fastener	2
H	6500-002-156	Top Guide, Head End	1

# Headsection (Power-LOAD Compatible) - 6506-001-021

Rev A

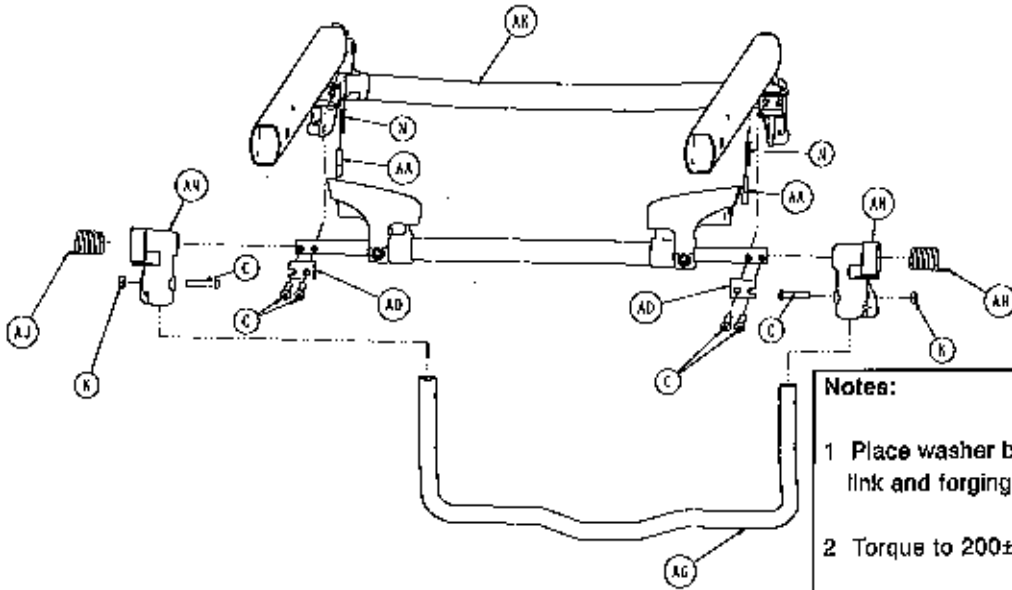
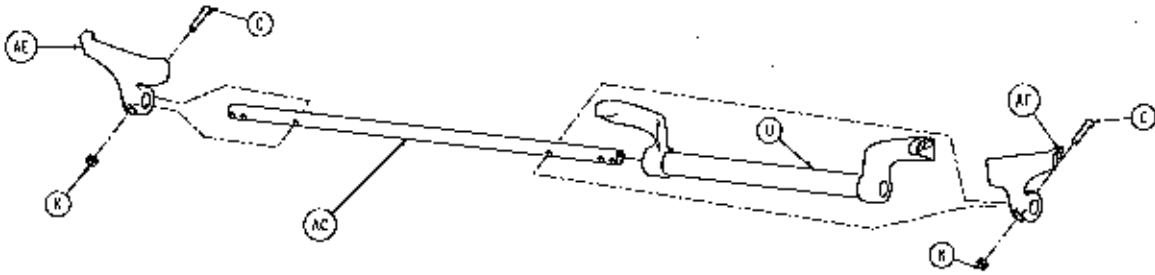


Item	Part No.	Part Name	Qty.
A	0004-656-000	Socket Head Cap Screw	3
B	0007-556-000	Truss Head Machine Screw	2
C	0016-002-000	Fiberlock Hex Nut	3
D	6085-001-174	Oxygen Bottle Holder, Bottom	1
E	6500-001-086	Front Wheel	2
F	6500-002-020	Headsection (page 170)	1
G	6500-002-104	Load Wheel Pin	2
H	8500-002-156	Top Guide, Head End	1

[Return To Table of Contents](#)

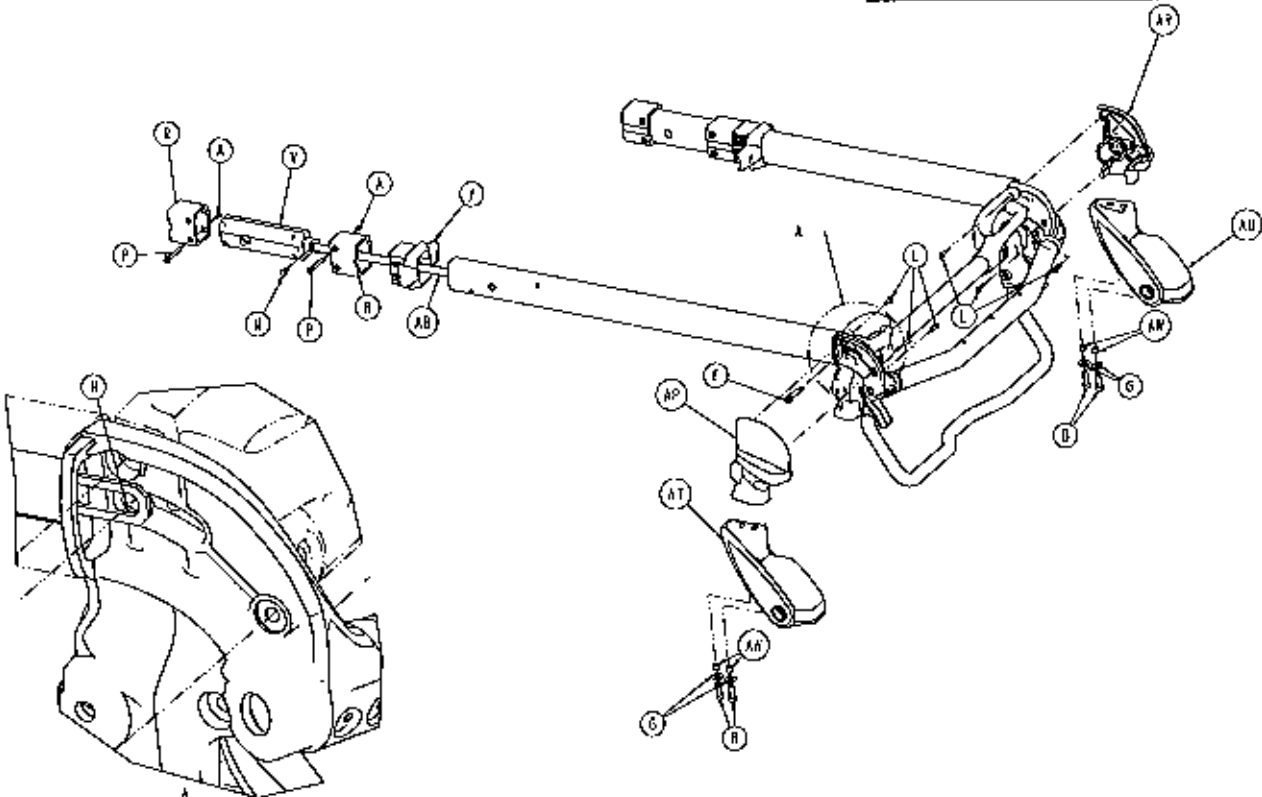
# Headsection - 6500-002-020

Rev D



**Notes:**

- 1 Place washer between the release link and forging
- 2 Torque to 200±40 in-lb





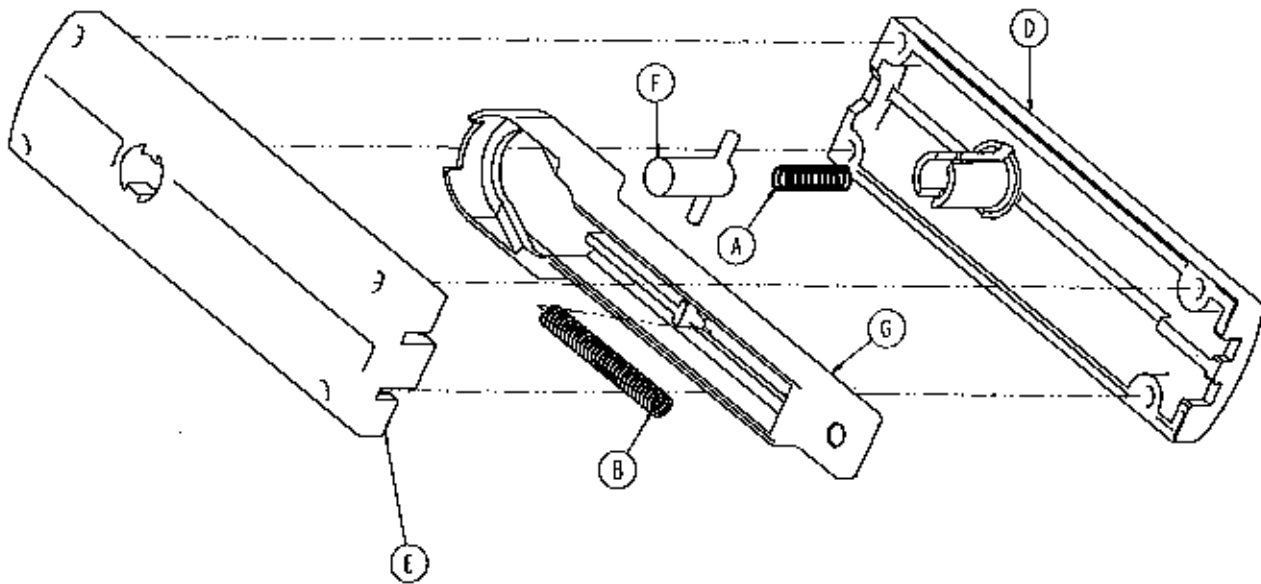
## Headsection - 6500-002-020

---

Item	Part No.	Part Name	Qty.
A	0004-168-000	Button Head Cap Screw	4
B	0004-591-000	Socket Head Cap Screw	4
C	0004-612-000	Button Head Cap Screw	8
F	0008-030-000	Socket Head Shoulder Screw	2
G	0011-824-000	Washer	4
H	0014-002-000	Washer	2
K	0016-102-000	Nylock Hex Nut	4
L	0023-182-000	Delta Screw	6
M	0025-126-000	Semi-Tubular Rivet	2
N	0038-570-000	Compression Spring	2
P	6085-001-169	Headsection Nut	4
R	6085-001-170	Internal Bearing	4
U	6500-001-023	Head Trigger Assembly	1
V	6500-001-026	Head Section Lock Assy (page 172)	2
Y	6500-001-087	Cap Bearing	2
AA	6500-001-093	Safety Bar Lock Pin	2
AB	6500-001-096	Head Section Release Link	2
AC	6500-001-220	Head Section Pivot Cross Tube	1
AD	6500-001-221	Cross Tube Clamp	2
AE	6500-001-280	Head Section Guard, Right	1
AF	6500-001-281	Head Section Guard, Left	1
AG	6500-001-322	Sliding Head Section Safety Bar	1
AH	6500-001-325	Safety Bar Torsion Spring, Left	1
AJ	6500-001-326	Safety Bar Torsion Spring, Right	1
AK	6500-002-025	Telescoping Tube Assy	1
AM	6500-002-107	Safety Bar Pivot, Right	1
AN	6500-002-108	Safety Bar Pivot, Left	1
AP	6500-002-109	Load Wheel Horn Cover, Left	1
AR	6500-002-110	Load Wheel Horn Cover, Right	1
AT	6500-002-120	Load Wheel Horn, Left	1
AU	6500-002-121	Load Wheel Horn, Right	1
AW	6500-002-114	Compression Limiter Sleeve	4

# Head Section Lock Assembly - 6500-001-026

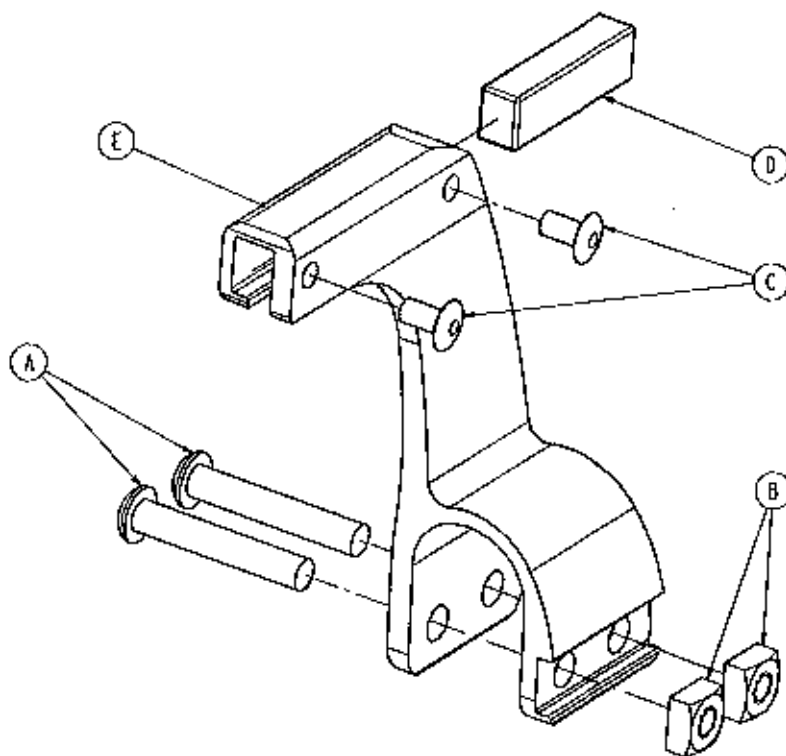
Rev C



Item	Part No.	Part Name	Qty.
A	0038-570-000	Compression Spring	1
B	0038-134-000	Compression Spring	1
D	6500-001-091	Top Latch Housing	1
E	6500-001-092	Bottom Latch Housing	1
F	6500-001-025	Latch Assembly	1
G	6500-001-095	Actuation Slide	1

# Optional In-Fastener Shut-Off Assembly - 6500-001-027

Rev C

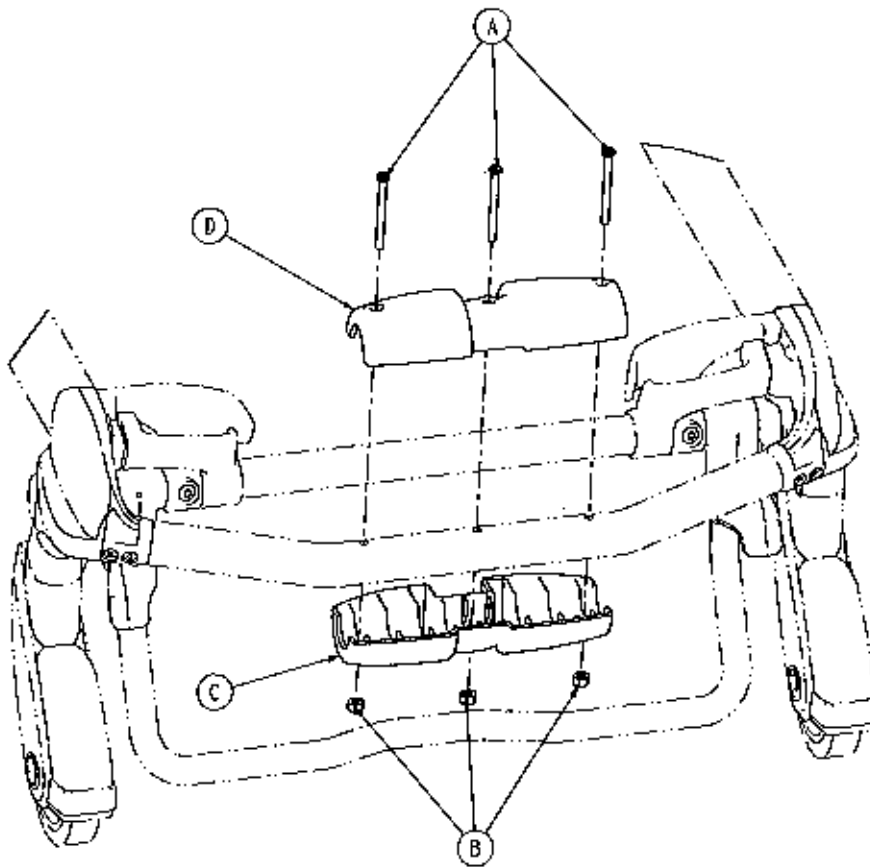


Item	Part No.	Part Name	Qty.
A	0004-376-000	Button Head Cap Screw	2
B	0015-016-000	Square Nut	2
C	0025-079-000	Rivet	2
D	6500-001-271	Magnet	1
E	6500-001-272	Holder	1

[Return To Table of Contents](#)

# No Headsection Oxygen Bottle Holder Option - 6506-036-000

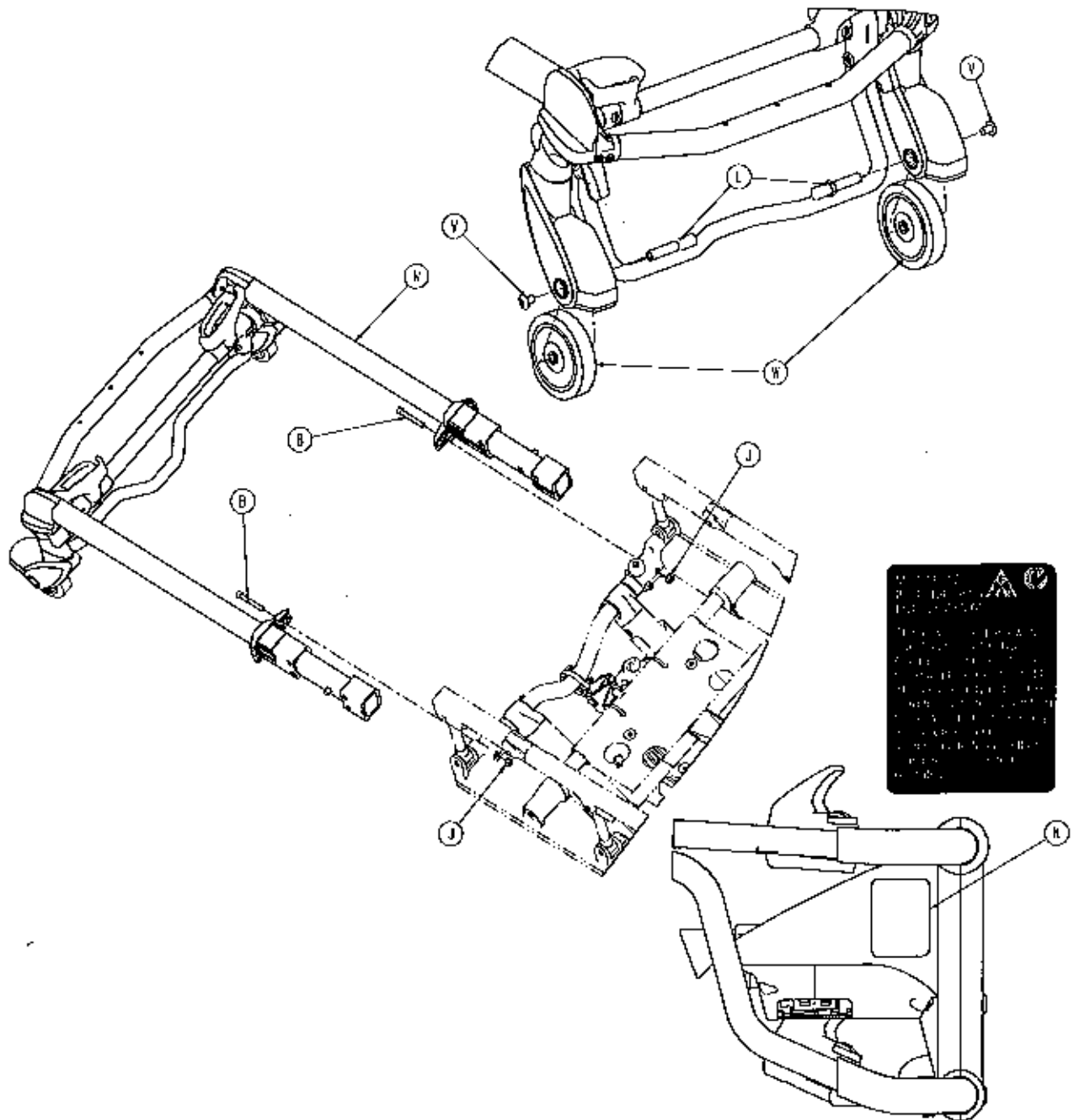
Rev A



Item	Part No.	Part Name	Qty.
A	0004-656-000	Socket Head Cap Screw	3
B	0016-002-000	Fiberlock Hex Nut	3
C	6085-001-174	Oxygen Bottle Holder, Bottom	1
D	6500-002-156	Top Guide, Head End	1

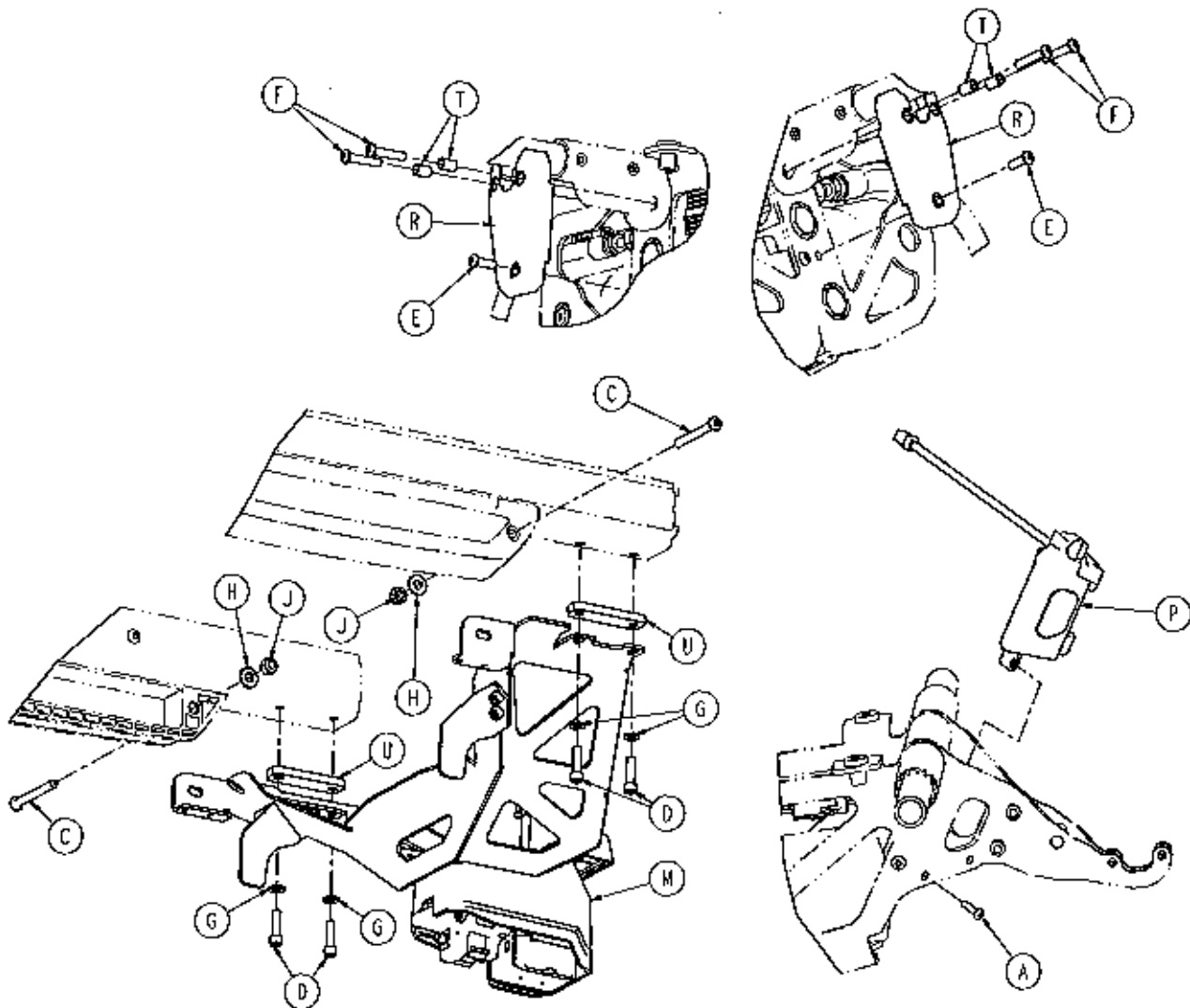
# Power-LOAD Compatible Option - 6506-127-000

Rev A



[Return To Table of Contents](#)

# Power-LOAD Compatible Option - 6506-127-000

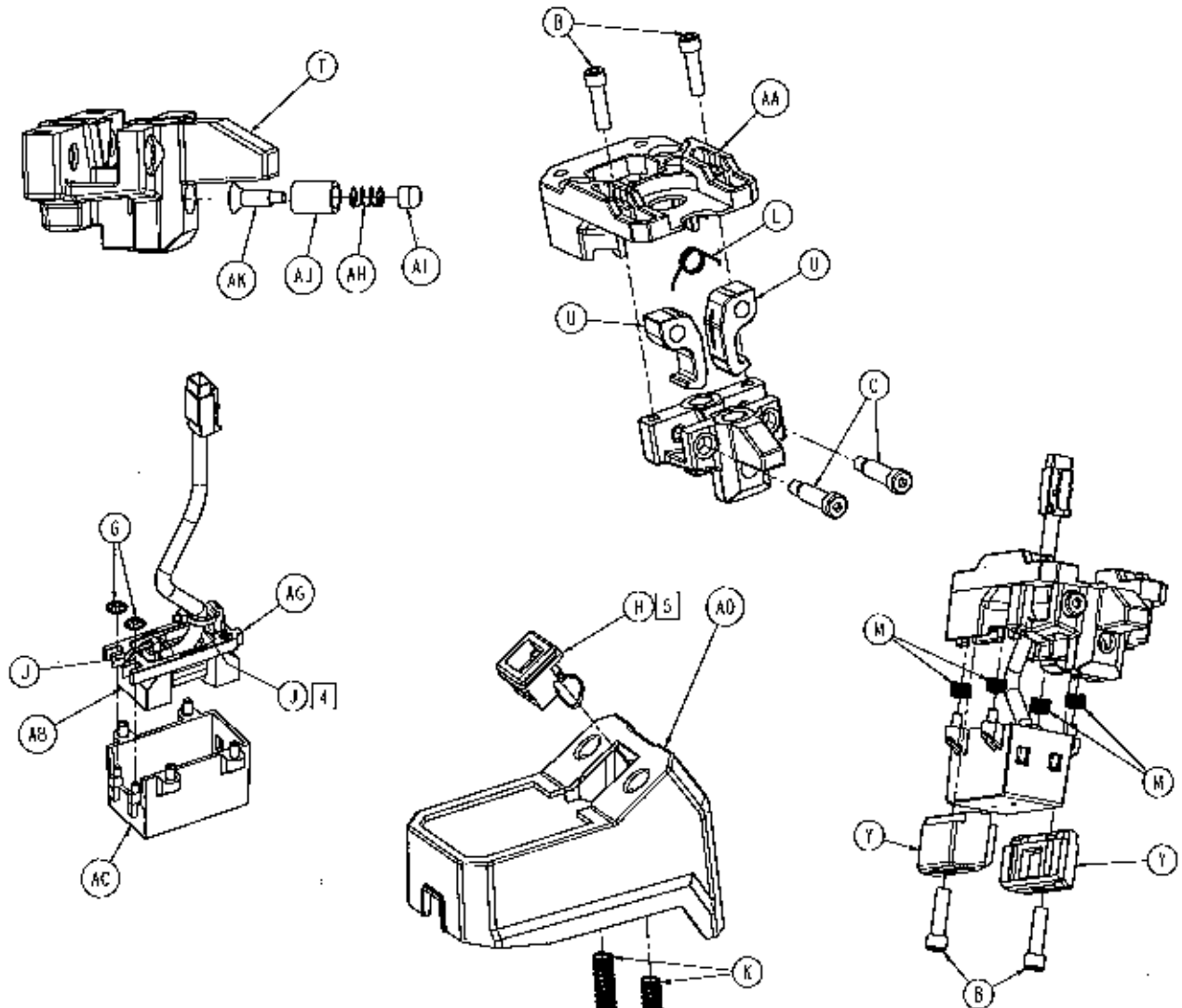


Item	Part No.	Part Name	Qty.
A	0004-614-000	Button Head Cap Screw	1
B	0004-595-000	Socket Head Cap Screw	2
C	0004-387-000	Button Head Cap Screw	2
D	0004-661-000	Socket Head Cap Screw	4
E	0004-593-000	Button Head Cap Screw	2
F	0004-395-000	Button Head Cap Screw	4
G	0011-085-000	Washer	4
H	0011-077-000	Washer	2
J	0016-028-000	Fiberlock Hex Nut	4
K	6506-101-101	Label, FCC	1
L	6500-002-104	Load Wheel Pin	2
M	6500-002-013	Foot End Fastener Assy (page 177)	1
N	6500-002-020	Headsection (page 170)	1
P	6500-002-100	Cot Comm Board	1
R	6500-002-123	Load Arm Guide	2
T	6500-002-124	Arm Cot Spacer Sleeve	4
U	6500-002-126	Foot End Fastener Spacer Plate	2
V	0007-556-000	Truss Head Machine Screw	2
W	6500-001-086	Front Wheel	2

[Return To Table of Contents](#)

# Foot End Fastener Assembly (Power-LOAD Compatible Option)

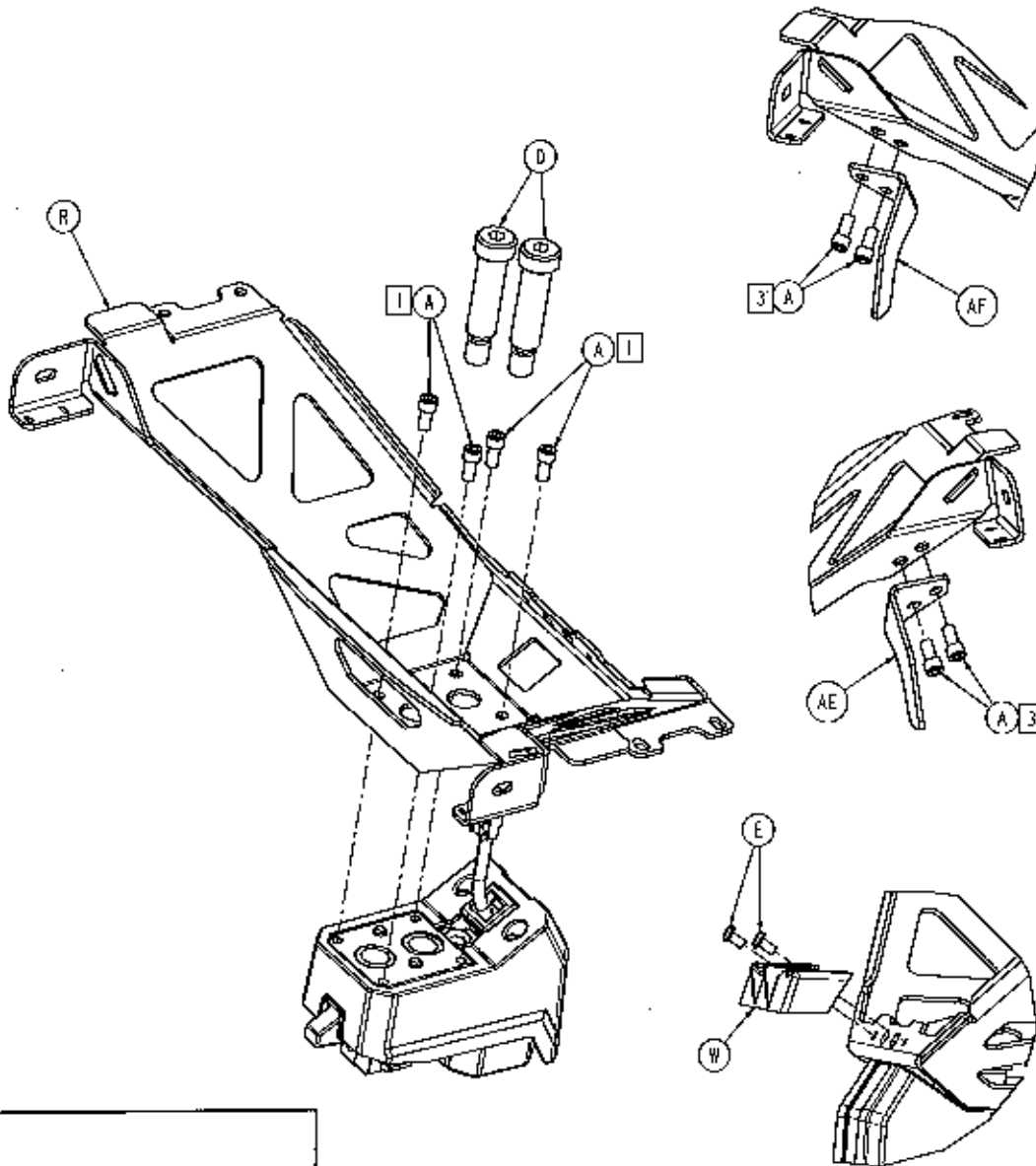
6500-002-013 Rev F (Reference Only)



- Notes:**
- 1 Torque to 200 in-lb  $\pm$  15%
  - 2 Leave enough slack in cable in indicated area to allow item AC to have full range of travel after assembly
  - 3 Torque to 30 in-lb  $\pm$  15%
  - 4 Install zip tie around large wire jacket, as shown
  - 5 Strain relief to be left loose on wire

[Return To Table of Contents](#)

# Foot End Fastener Assembly (Power-LOAD Compatible Option)



## Notes:

- 1 Torque to 200 in-lb  $\pm$  15%
- 2 Leave enough slack in cable in indicated area to allow item AC to have full range of travel after assembly
- 3 Torque to 30 in-lb  $\pm$  15%
- 4 Install zip tie around large wire jacket, as shown
- 5 Strain relief to be left loose on wire



# Foot End Fastener Assembly (Power-LOAD Compatible Option)

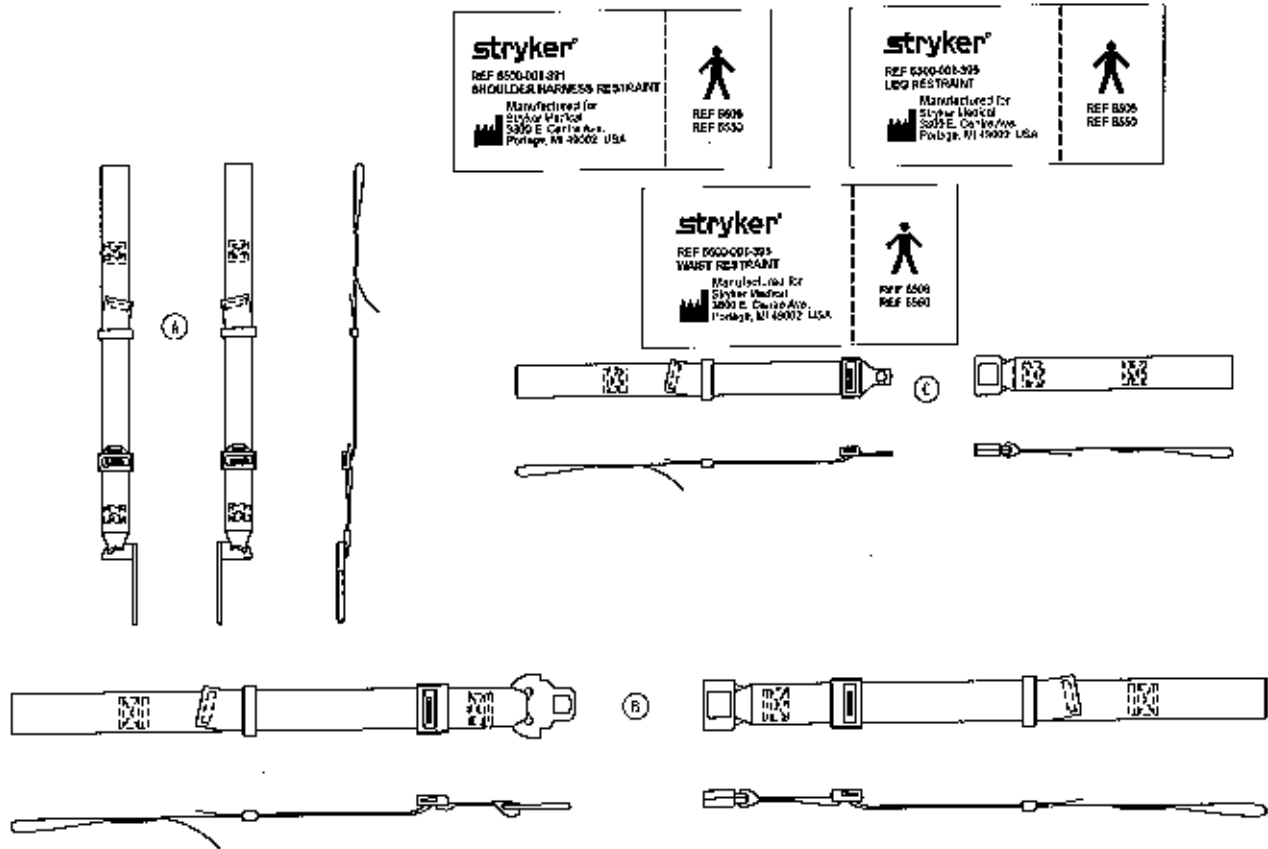
Foot End Fastener Assembly (Power-LOAD Compatible Option) - 6500-002-013 Rev F (Reference Only)

Item	Part No.	Part Name	Qty.
A	0004-660-000	Socket Head Cap Screw	8
B	0004-661-000	Socket Head Cap Screw	4
C	0008-088-000	Socket Head Set Screw	2
D	0008-087-000	Socket Head Set Screw	2
E	0023-296-000	Pan Head Machine Screw	2
G	0028-217-000	Pushnut	2
H	0037-248-000	Strain Relief	1
J	0038-111-000	Zip Tie	2
K	0038-889-000	Compression Spring	2
L	0038-891-000	Torsion Spring	1
M	0038-900-000	Wave Spring	4
N	0081-437-000	Sleeve Bearing	2
R	6500-002-050	Bracket Weldment	1
T	6500-002-111	Foot End Fastener Guide	1
U	6500-002-112	Cot Foot End Fastener Hook	2
V	6500-002-113	Foot End Fastener Bearing Plate	1
W	6500-002-119	Foot End FASTER Cot Spacer	1
Y	6500-002-122	Foot End FASTER Cot Wear Pad	2
AA	6500-002-129	Floating Plate	1
AB	6500-002-133	Cot Secondary Coil	1
AC	6500-002-135	Cot Foot End Fastener Coil Holder	1
AD	6500-002-136	Foot End Fastener Cot Housing	1
AE	6500-002-146	Foot End Fastener Cot Hook, Right	1
AF	6500-002-147	Foot End Fastener Cot Hook, Left	1
AG	6500-002-144	Cot Tie Down Coil Strap	1
AH	6500-001-012	Compression Spring	1
AJ	6500-002-148	Plunger Housing	1
AK	6500-002-149	Plunger	1
AL	6500-002-152	Plunger Cap	1

[Return To Table of Contents](#)

# EMS Restraint Package - 6500-002-030

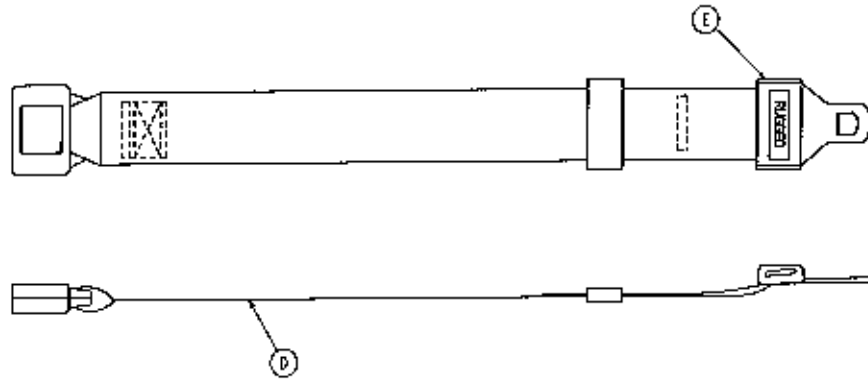
Rev D



Item	Part No.	Part Name	Qty.
A	6500-001-391	Shoulder Harness Restraint	1
B	6500-001-393	Waist Restraint	1
C	6500-001-395	Leg Restraint	2
D	6500-009-030	Restraint Strap Installation Instructions (not shown)	1

# Restraint Extender, 3' - 6082-160-050

Rev B



Item	Part No.	Part Name	Qty.
D	6082-090-001	Label, Part Number, Stryker	1
E	6060-090-011	Label	1

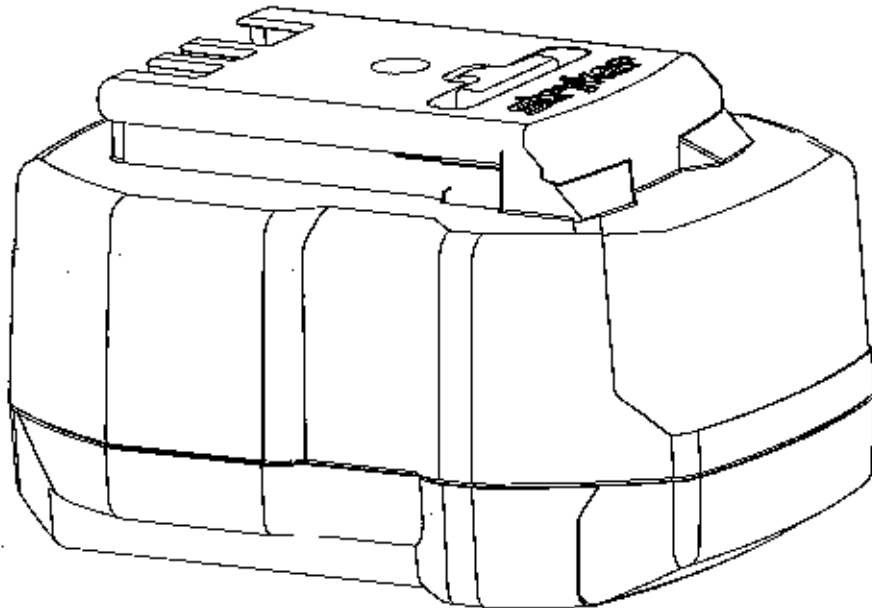
[Return To Table of Contents](#)

# Battery Pack, SMRT - 6500-033-000

---

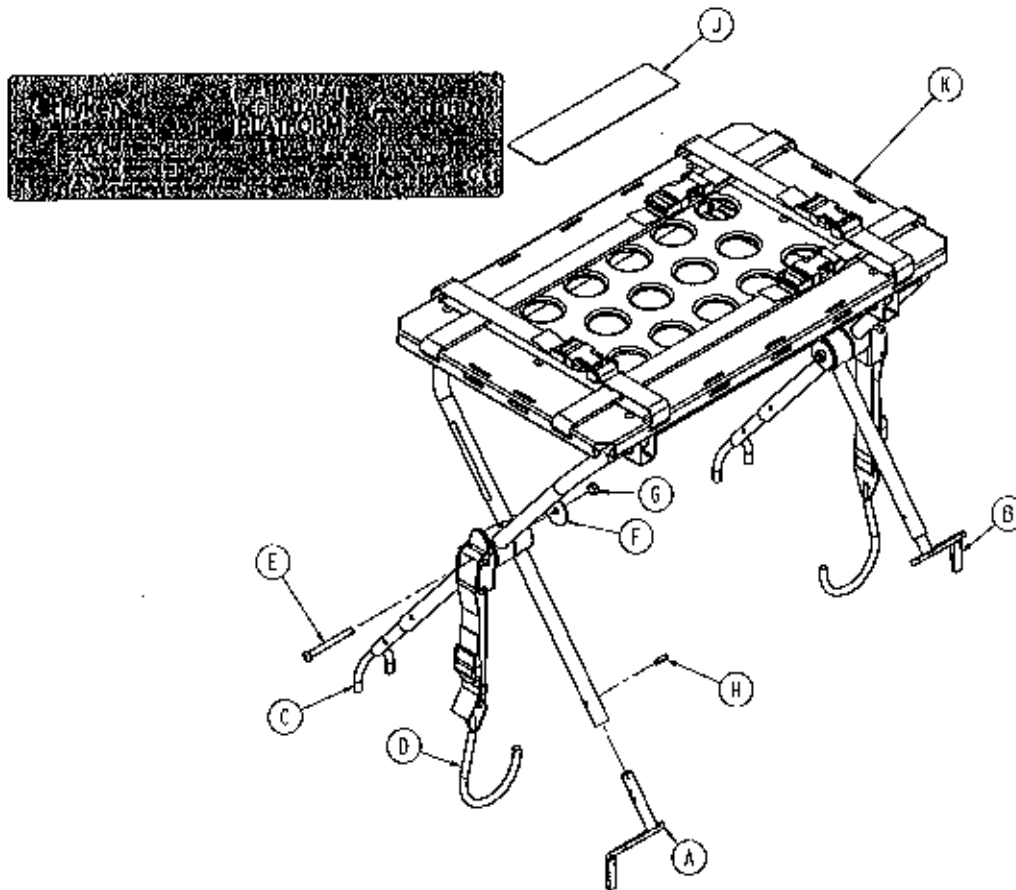
Rev A

6500-101-010 Rev D (Reference Only)



# Defibrillator Platform - 6506-170-000

6500-101-046 Rev A (Reference Only)

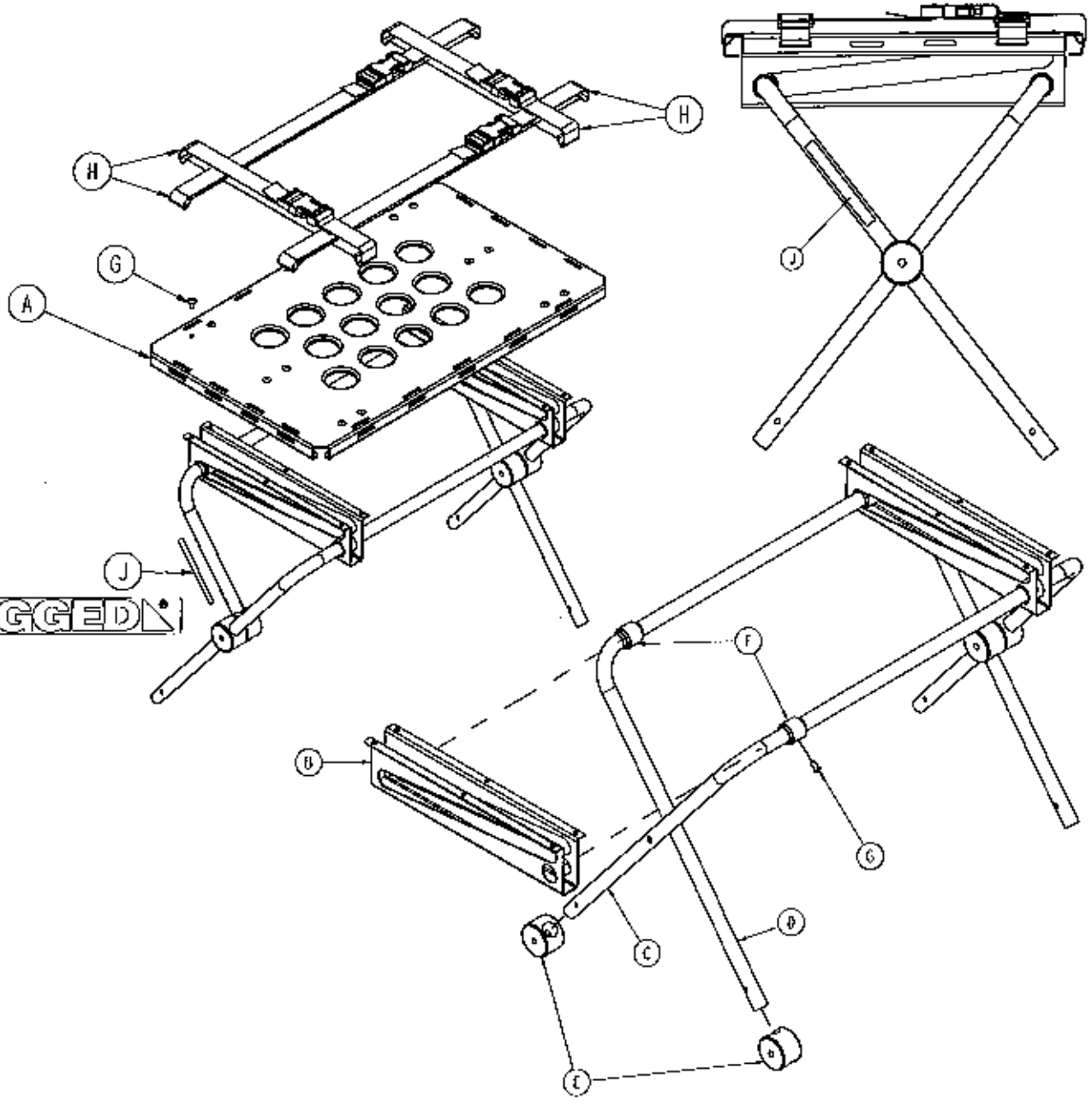


Item	Part No.	Part Name	Qty.
A	6100-170-050	Head End Bracket Weldment, Left	1
B	6100-170-051	Head End Bracket Weldment, Right	1
C	6082-170-050	Defib U-Foot Weldment	2
D	6100-170-020	Defib Latch Strap Assembly	2
E	0004-234-000	Button Head Cap Screw	2
F	0011-355-000	Washer	2
G	0016-102-000	Nylock Nut	2
H	0028-172-000	Slotted Spring Pin	4
J	6500-101-298	Label, Defib Platform	1
K	6082-170-020	Defib Platform Common Components (page 184)	1

[Return To Table of Contents](#)

# Defibrillator Platform Common Components

6082-170-020 Rev B (Reference Only)

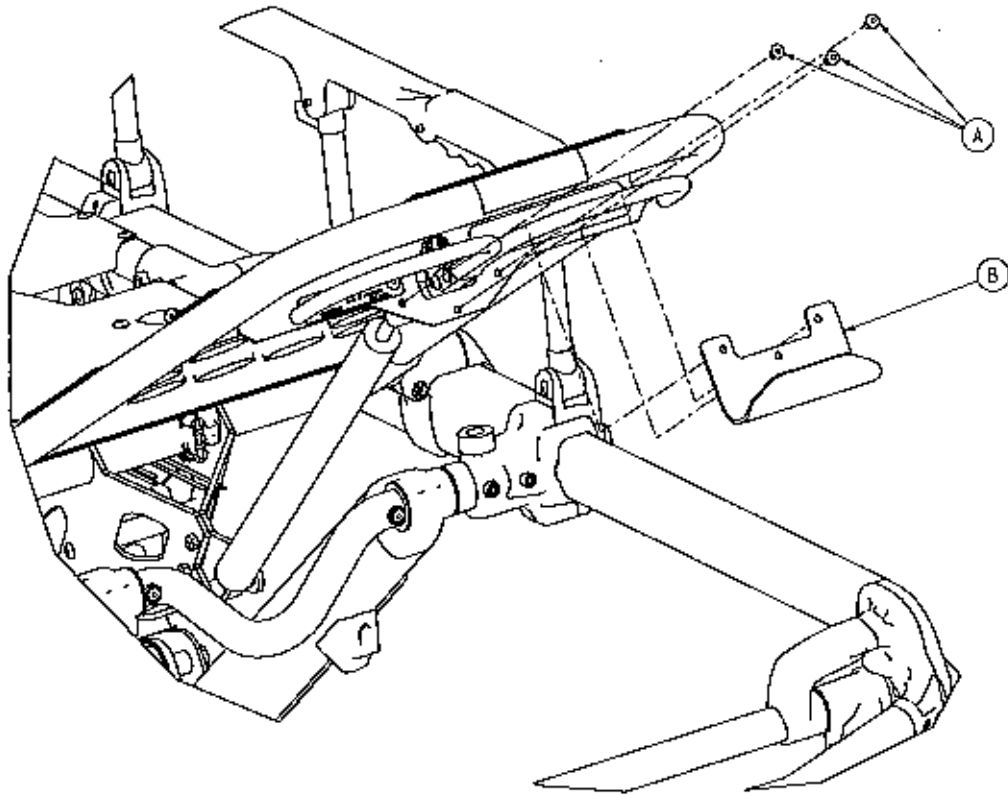


Item	Part No.	Part Name	Qty.
A	6080-170-011	Top Panel	1
B	6080-170-012	Leg Support	2
C	6080-170-013	Stationary Defibrillator Leg	1
D	6080-170-014	Sliding Defibrillator Leg	1
E	6080-170-015	Support Pivot Leg	4
F	6080-170-016	Leg Collar	4
G	0025-079-000	Dome Head Rivet	16
H	6080-170-022	Defibrillator Platform Strap, Long	4
J	8080-090-023	Label	2

[Return To Table of Contents](#)

# Equipment Hook - 6500-147-000

Rev B

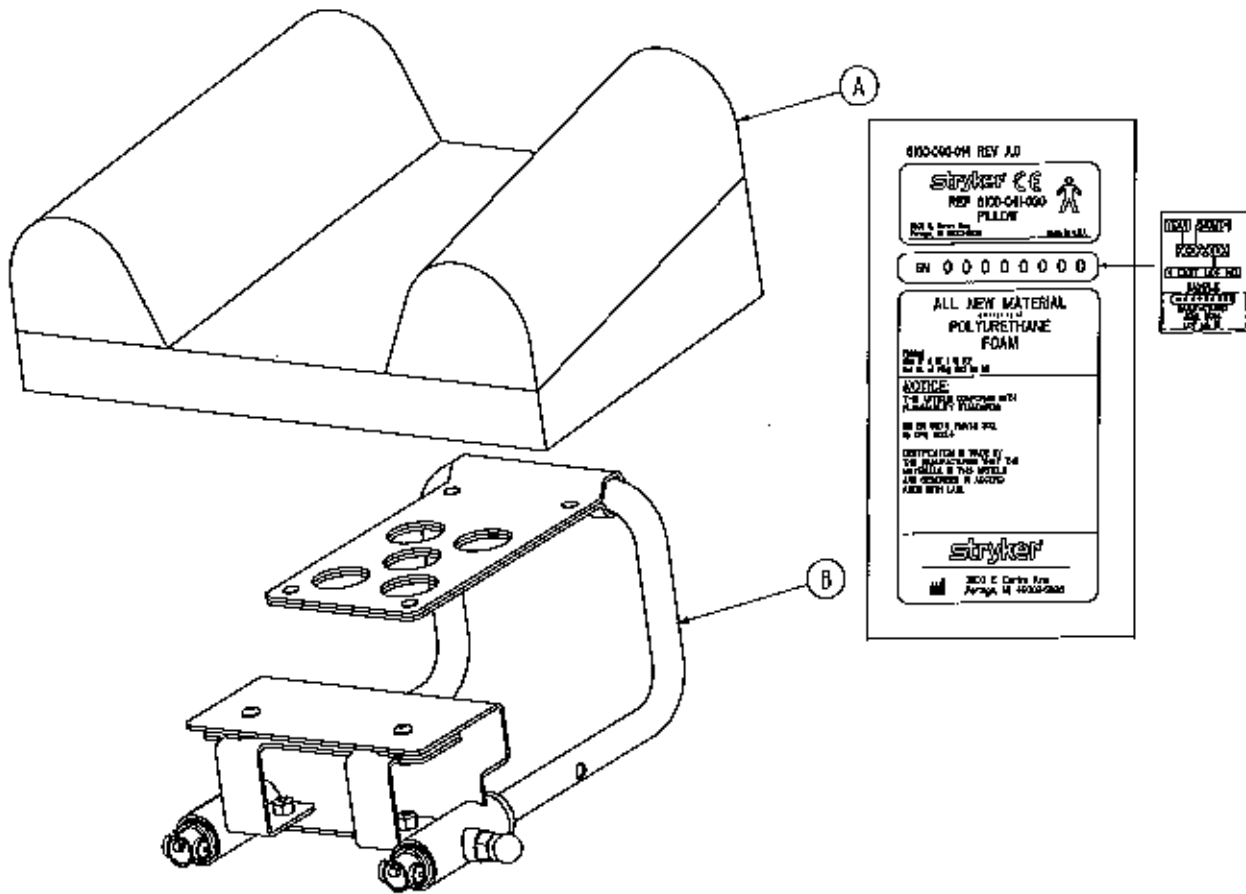


Item	Part No.	Part Name	Qty.
A	0025-079-000	Dome Head Rivet	3
B	6500-001-237	Equipment Hook	1

[Return To Table of Contents](#)

# Head Extension - 6100-044-000

Rev B

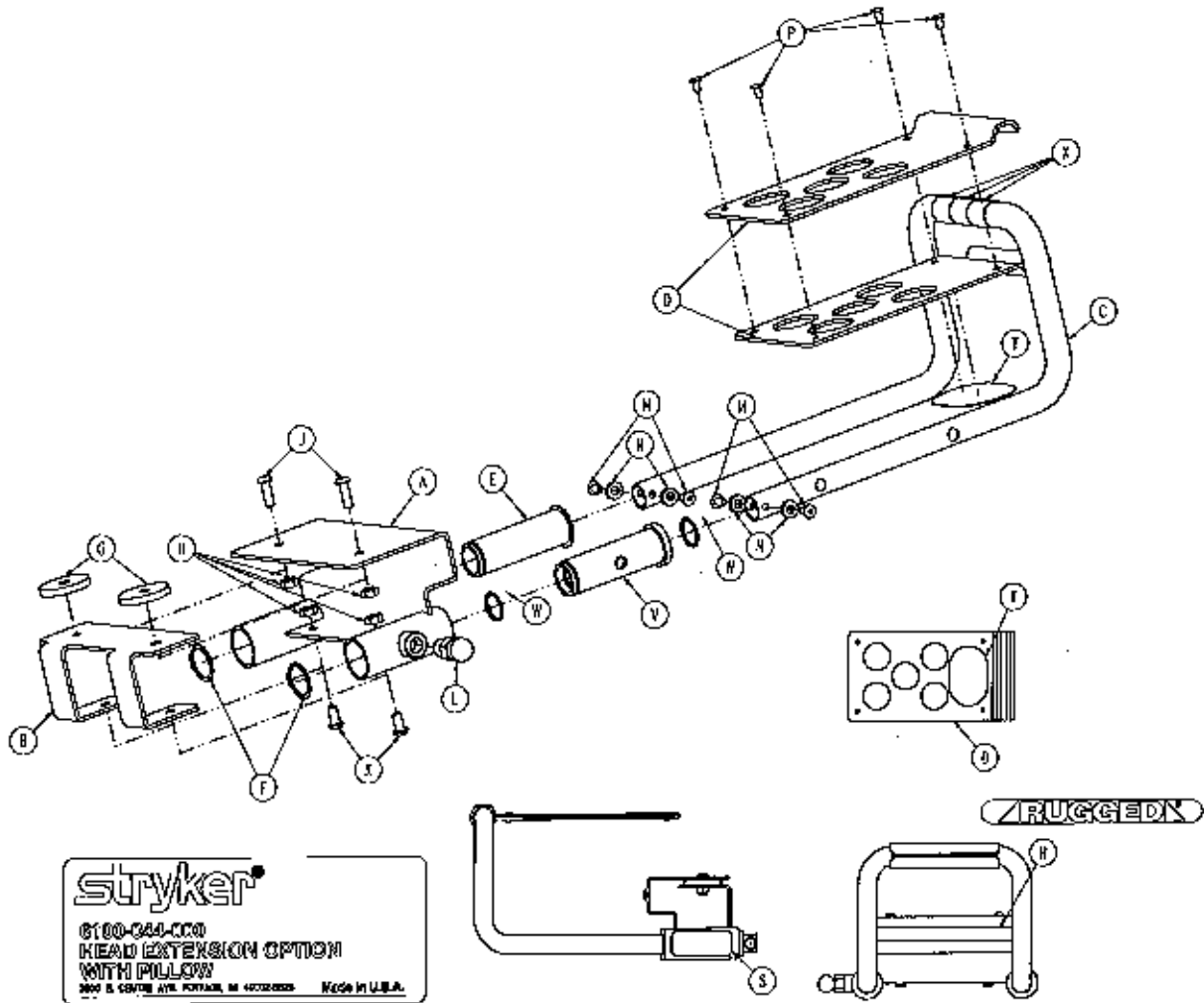


Item	Part No.	Part Name	Qty.
A	6100-041-030	Pillow	1
B	6100-044-012	Head Extension Assembly (page 187) 1	



# Head Extension Assembly - 6100-044-012

Rev F



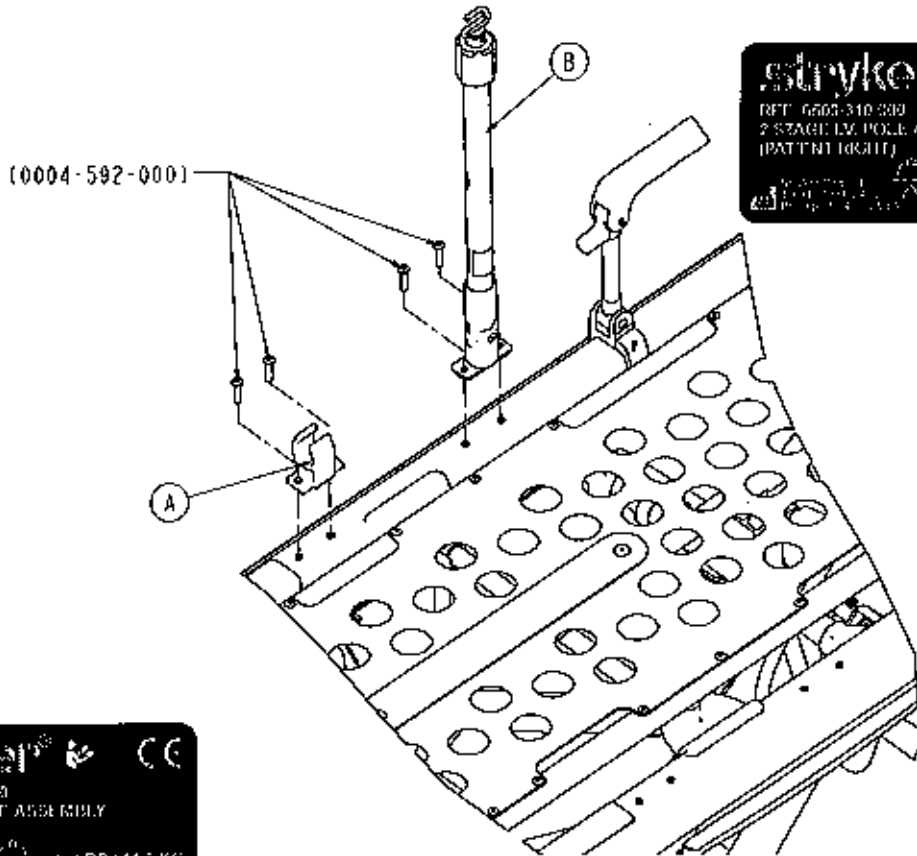
Item	Part No.	Part Name	Qty.
A	6100-044-010	Bracket Weldment	1
B	6100-044-007	Support	1
C	6100-044-011	Extension Tube	1
D	6100-044-008	Pillow Support	2
E	6100-044-005	Insert	1
F	0028-076-000	Clip	2
G	6100-044-008	Spacer	2
H	0016-028-000	Nylock Nut	4
J	0004-161-000	Button Head Cap Screw	2
K	0004-232-000	Button Head Cap Screw	2
L	6372-010-016	Pull Pin Assembly	1
M	0025-079-000	Dome Head Rivet	4
N	0014-067-000	Washer	4
P	0025-031-000	Semi-Tubular Rivet	4
R	6060-090-004	Label, Small	1
S	6100-090-013	Label, Spec	1
T	6100-044-013	Velcro <sup>®</sup> (Hook)	1
V	6100-044-004	Insert	1
W	0045-999-803	O-Ring	2
X	6100-044-014	Head Extension Tape	3

Return To Table of Contents

# I.V. Pole Assembly, Two-Stage, Right - 6500-310-000

# I.V. Pole Assembly, Three-Stage, Right - 6500-315-000

Rev A



## I.V. Pole Assembly, Two-Stage, Right - 6500-310-000

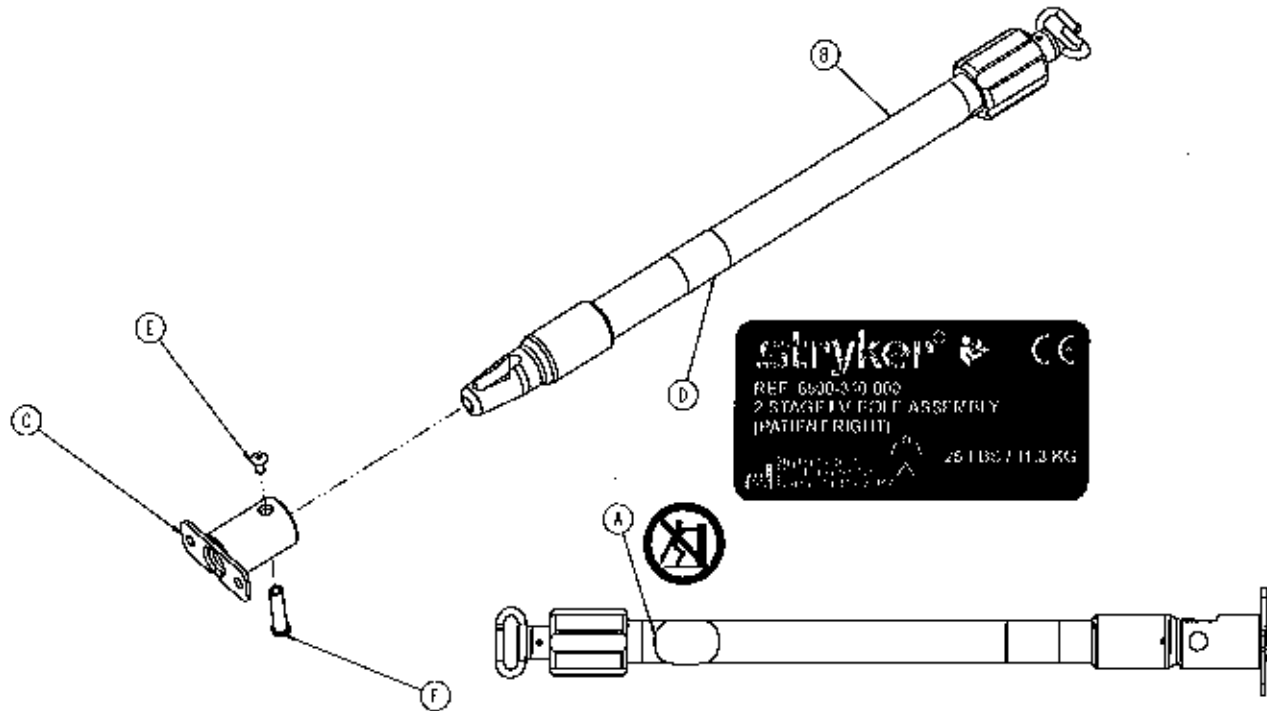
Item	Part No.	Part Name	Qty.
A	6100-115-080	Clip, I.V. Pole	1
B	6500-101-041	I.V. Pole Assembly, Two-Stage, Right (page 189)	1

## I.V. Pole Assembly, Three-Stage, Right - 6500-315-000

Item	Part No.	Part Name	Qty.
A	6100-115-080	Clip, I.V. Pole	1
B	6500-101-043	I.V. Pole Assembly, Three-Stage, Right (page 190)	1

# I.V. Pole Assembly, Two-Stage, Right - 6500-101-041

Rev A

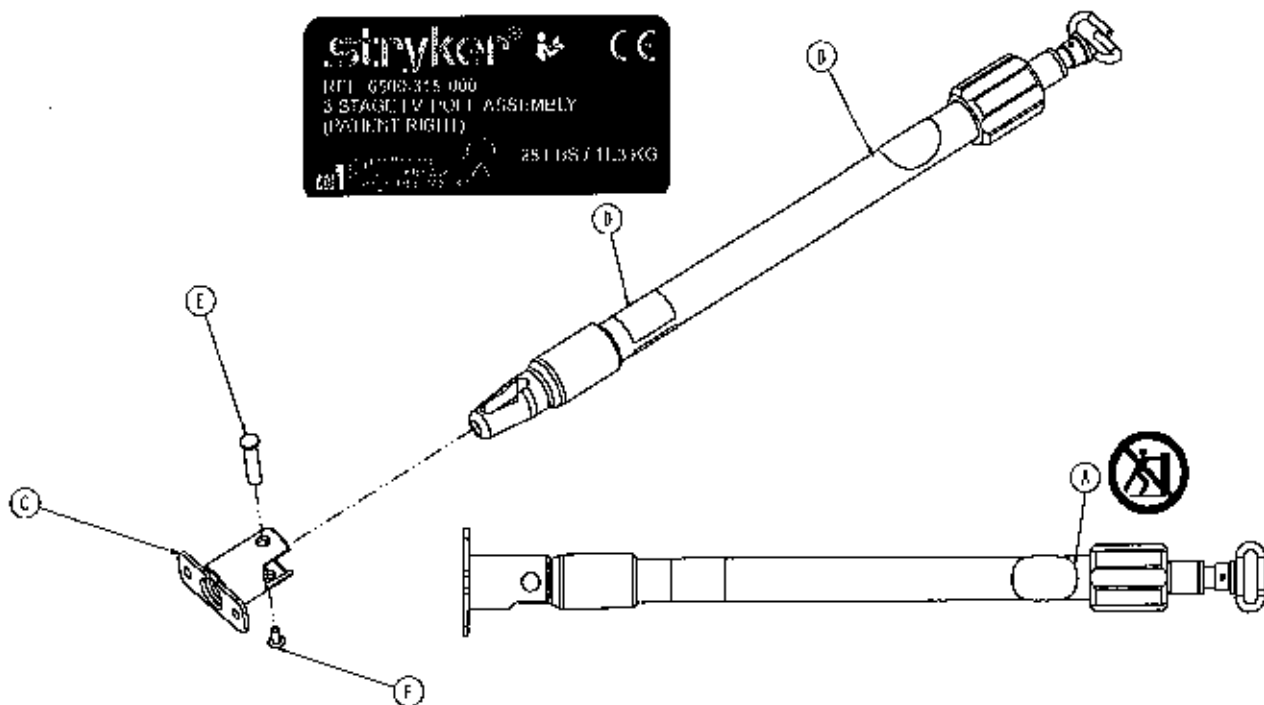


Item	Part No.	Part Name	Qty.
A	6506-001-901	Label, No Pushing	1
B	6070-210-070	Pole Assembly	1
C	8100-115-051	Socket Weldment	1
D	8500-101-253	Label	1
E	0025-079-000	Dome Head Rivet	1
F	6070-110-037	I.V. Pivot Pin	1

[Return To Table of Contents](#)

# I.V. Pole Assembly, Three-Stage, Right - 6500-101-043

Rev A

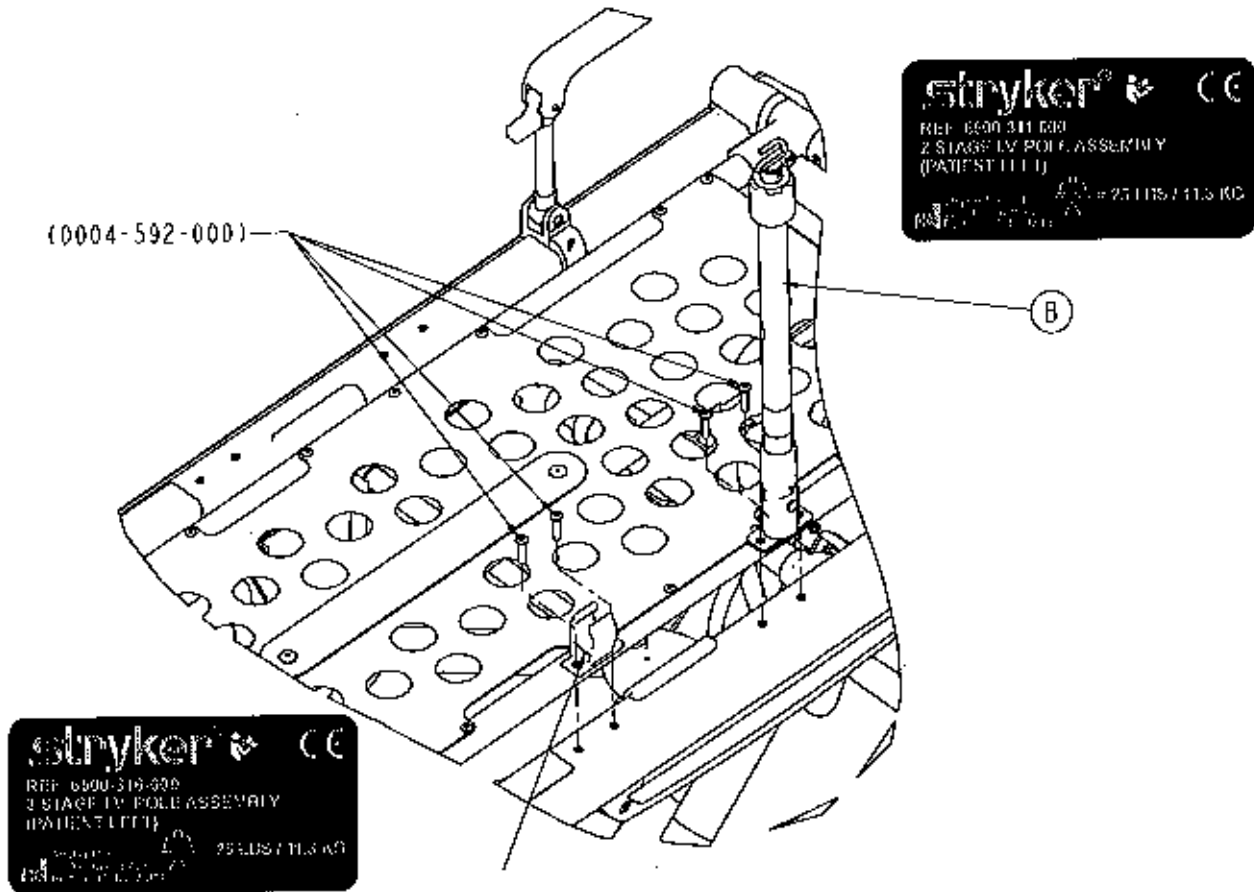


Item	Part No.	Part Name	Qty.
A	6506-001-901	Label, No Pushing	1
B	6070-215-070	Pole Assembly	1
C	6100-115-051	Socket Weldment	1
D	6500-101-255	Label	1
E	6070-110-037	I.V. Pivot Pin	1
F	0025-079-000	Dome Head Rivet	1

# I.V. Pole Assembly, Two-Stage, Left - 6500-311-000

# I.V. Pole Assembly, Three-Stage, Left - 6500-316-000

Rev A



## I.V. Pole Assembly, Two-Stage, Left - 6500-311-000

Item	Part No.	Part Name	Qty.
A	6100-115-060	Clip, IV. Pole	1
B	6500-101-042	IV. Pole Assembly, Two-Stage, Left (page 192)	1

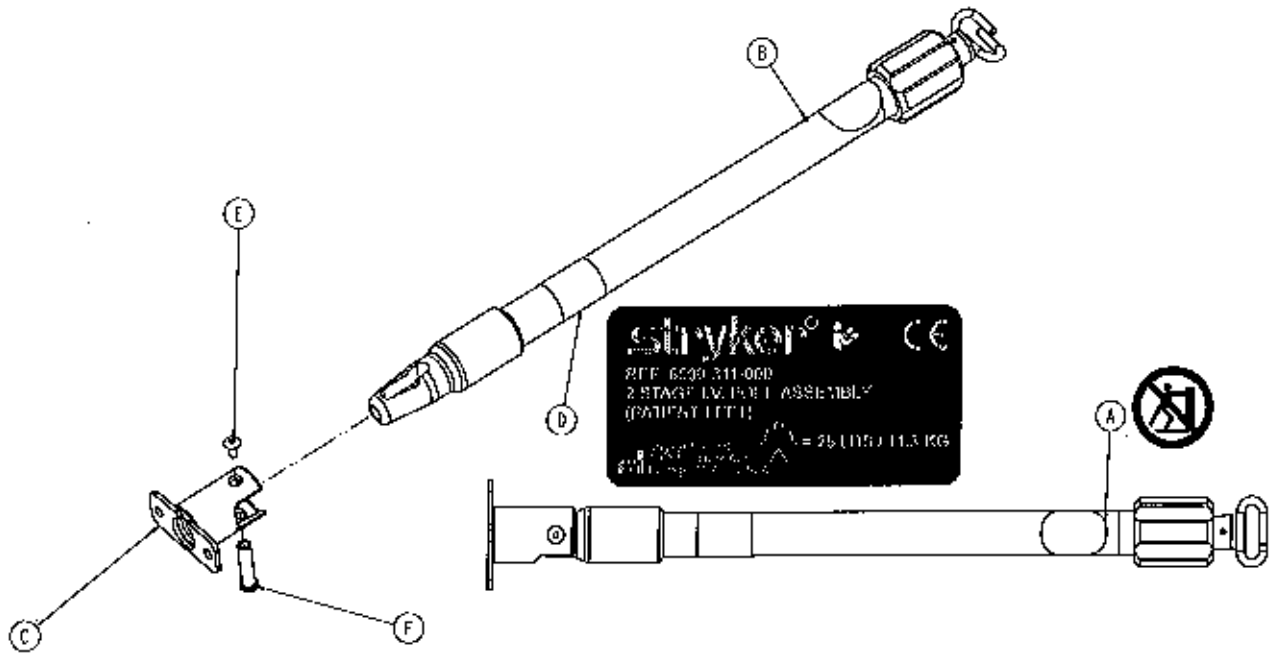
## Three-Stage I.V. Pole Assembly, Left - 6500-316-000

Item	Part No.	Part Name	Qty.
A	6100-115-060	Clip, IV. Pole	1
B	6500-101-044	IV. Pole Assembly, Three-Stage, Left (page 193)	1

[Return To Table of Contents](#)

# I.V. Pole Assembly, Two-Stage, Left - 6500-101-042

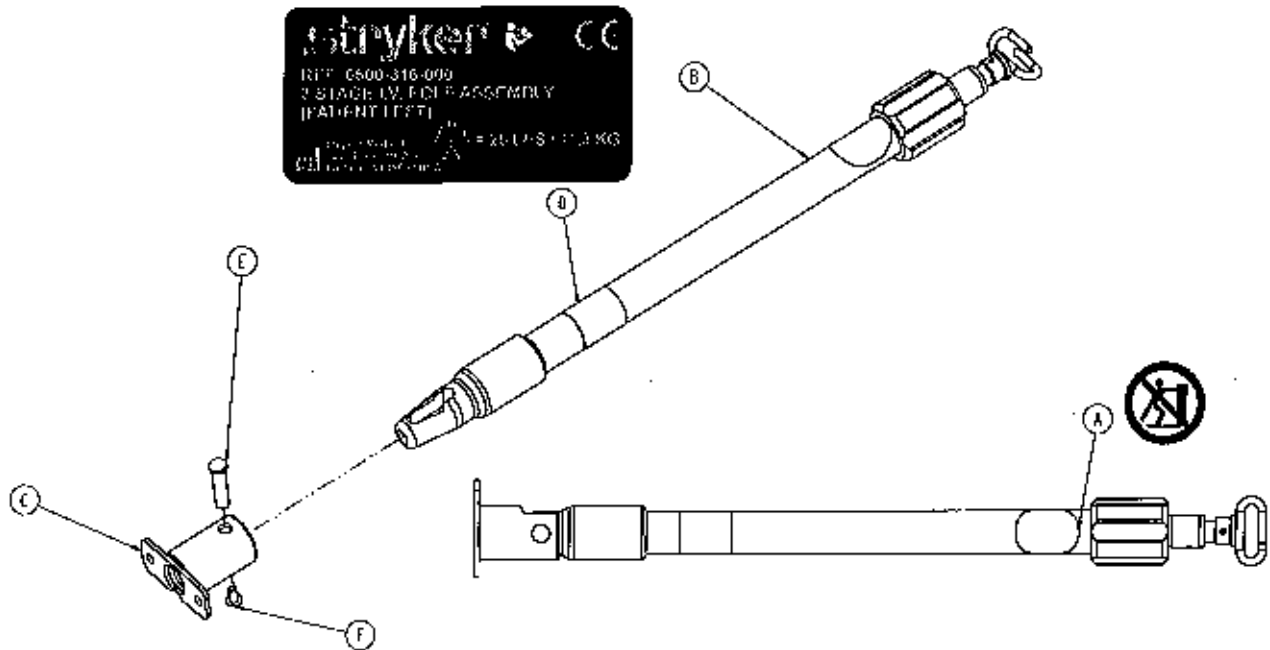
Rev A



Item	Part No.	Part Name	Qty.
A	6506-001-901	Label, No Pushing	1
B	6070-210-070	I.V. Pole Assembly, Two-Stage	1
C	6100-115-051	Socket Weldment	1
D	6500-101-254	Label	1
E	0025-079-000	Dome Head Rivet	1
F	6070-110-037	I.V. Pivot Pin	1

# I.V. Pole Assembly, Three-Stage, Left - 6500-101-044

Rev A



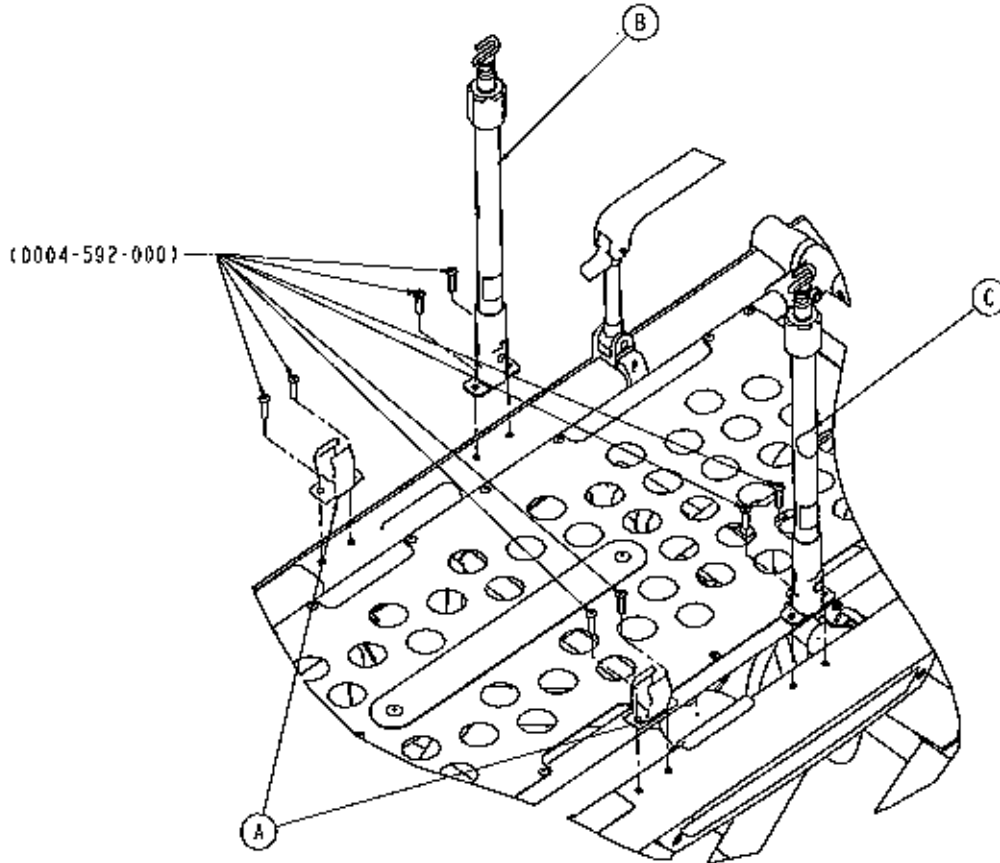
Item	Part No.	Part Name	Qty.
A	6506-001-901	Label, No Pushing	1
B	6070-215-070	Pole Assembly	1
C	6100-115-051	Socket Weldment	1
D	6500-101-256	Label	1
E	6070-110-037	I.V. Pivot Pin	1
F	0025-079-000	Dome Head Rivet	1

[Return To Table of Contents](#)

## Two-Stage I.V. Pole Assembly, Dual - 6500-312-000

## Three Stage I.V. Pole Assembly, Dual - 6500-317-000

Rev A



### Two-Stage I.V. Pole Assembly, Dual - 6500-312-000

Item	Part No.	Part Name	Qty.
A	6100-115-080	Clip, I.V. Pole	2
B	6500-101-041	I.V. Pole Assembly, Two-Stage, Right (page 189)	1
C	6500-101-042	I.V. Pole Assembly, Two-Stage, Left (page 192)	1

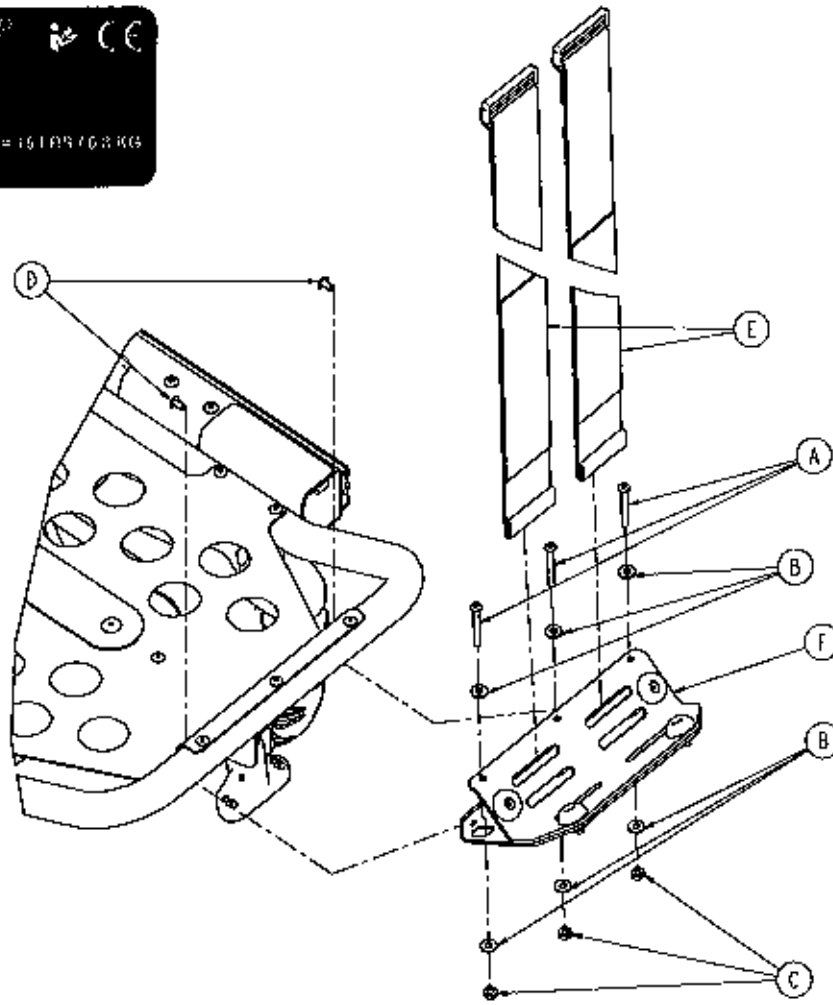
### Three-Stage I.V. Pole Assembly, Dual - 6500-317-000

Item	Part No.	Part Name	Qty.
A	6100-115-080	Clip, I.V. Pole	2
B	6500-101-043	I.V. Pole Assembly, Three-Stage, Right (page 190)	1
C	6500-101-044	I.V. Pole Assembly, Three-Stage, Left (page 193)	1



# Oxygen Bottle Holder, Foot End - 6500-240-000

Rev A

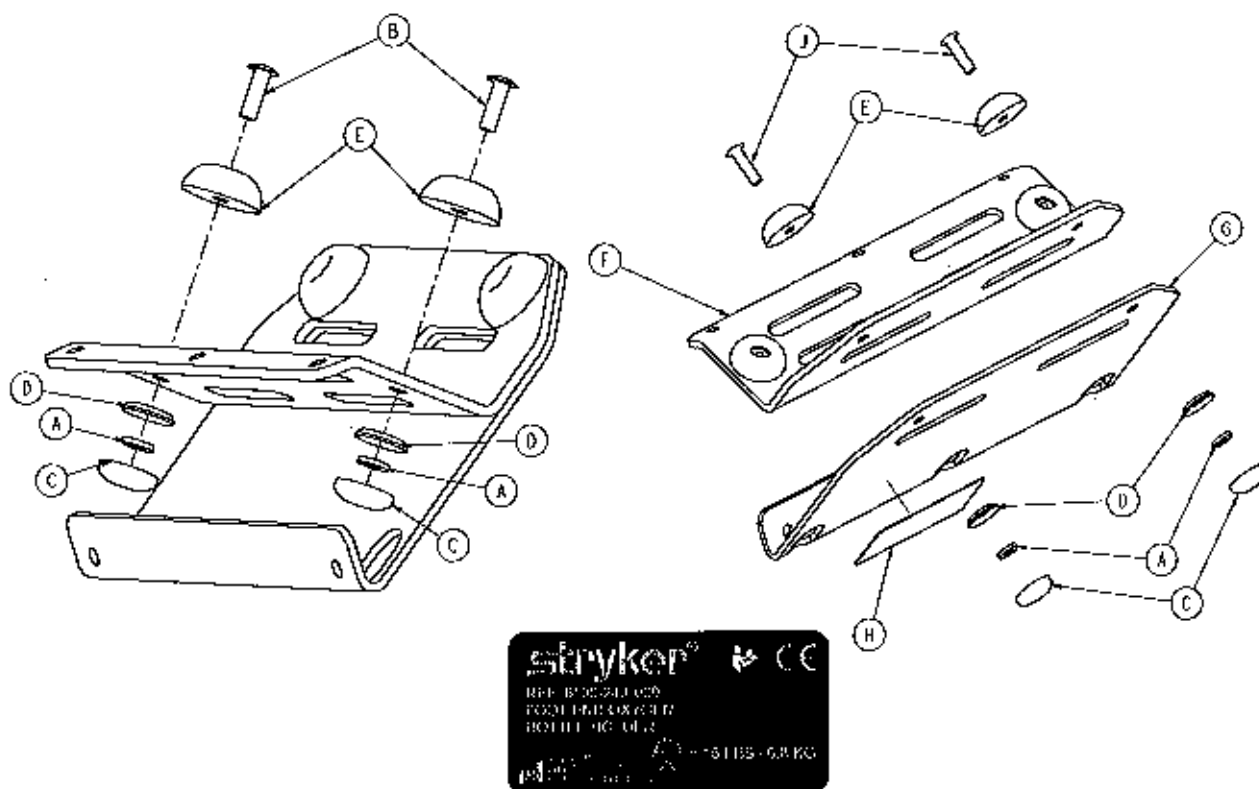


Item	Part No.	Part Name	Qty.
A	0004-862-000	Button Head Cap Screw	3
B	0011-001-000	Flat Washer	6
C	0016-131-000	Nylock Hex Nut	3
D	0025-079-000	Dome Head Rivet	2
E	6060-140-013	Oxygen Bottle Restraint Strap	2
F	6500-101-040	Oxygen Bottle Holder Assembly (page 198)	1

[Return To Table of Contents](#)

# Oxygen Bottle Holder Assembly - 6500-101-040

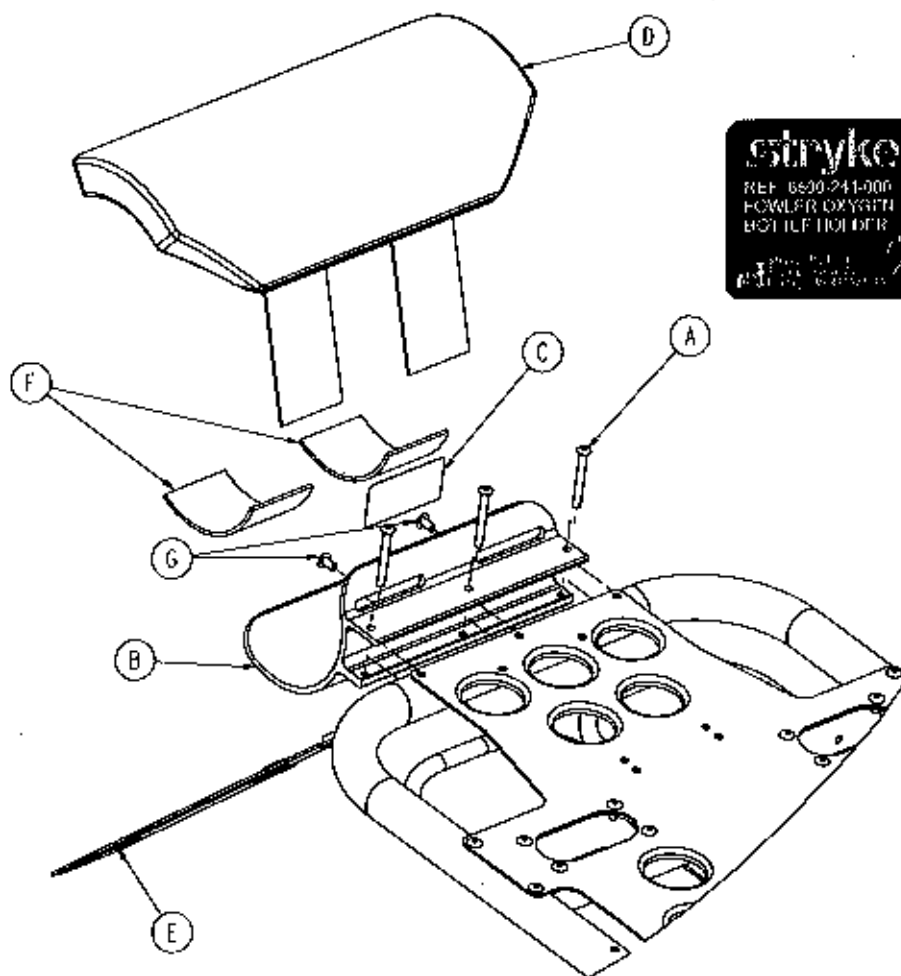
Rev A



Item	Part No.	Part Name	Qty.
A	0011-436-000	Washer	4
B	0025-133-000	Dome Head Rivet	2
C	0037-055-000	Black Protective Cap	4
D	0037-058-000	Retaining Washer	4
E	0948-001-155	Bumper	4
F	6500-001-239	Tray	1
G	6500-001-240	Bracket	1
H	6500-101-257	Label	1
J	0025-086-000	Blind Rivet	2

# Oxygen Bottle Holder, Fowler - 6500-241-000

Rev A

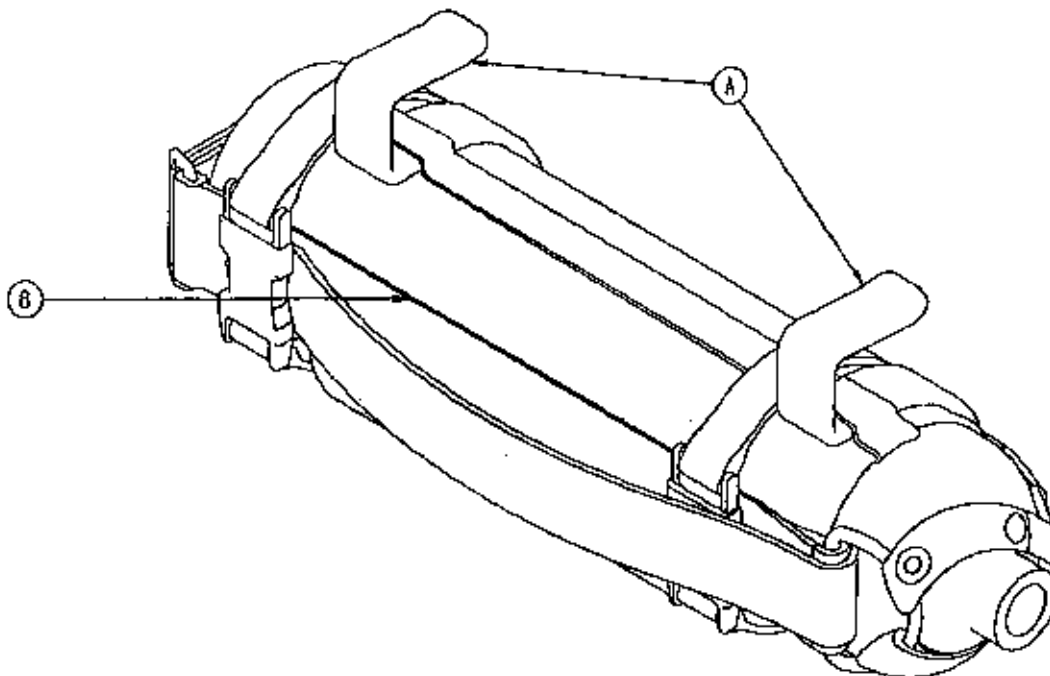


Item	Part No.	Part Name	Qty.
A	0004-838-000	Button Head Cap Screw	3
B	6500-001-119	Backrest Oxygen Holder Bracket	1
C	6500-101-231	Label, Fowler Oxygen Bottle Holder	1
D	6500-001-260	Fowler Oxygen Bottle Holder Cover	1
E	6500-001-261	Fowler Oxygen Bottle Holder Strap	1
F	6500-001-262	Neoprene Pad	2
G	0025-079-000	Dome Head Rivet	2

[Return To Table of Contents](#)

# Removable Oxygen Bottle Holder - 6080-140-000

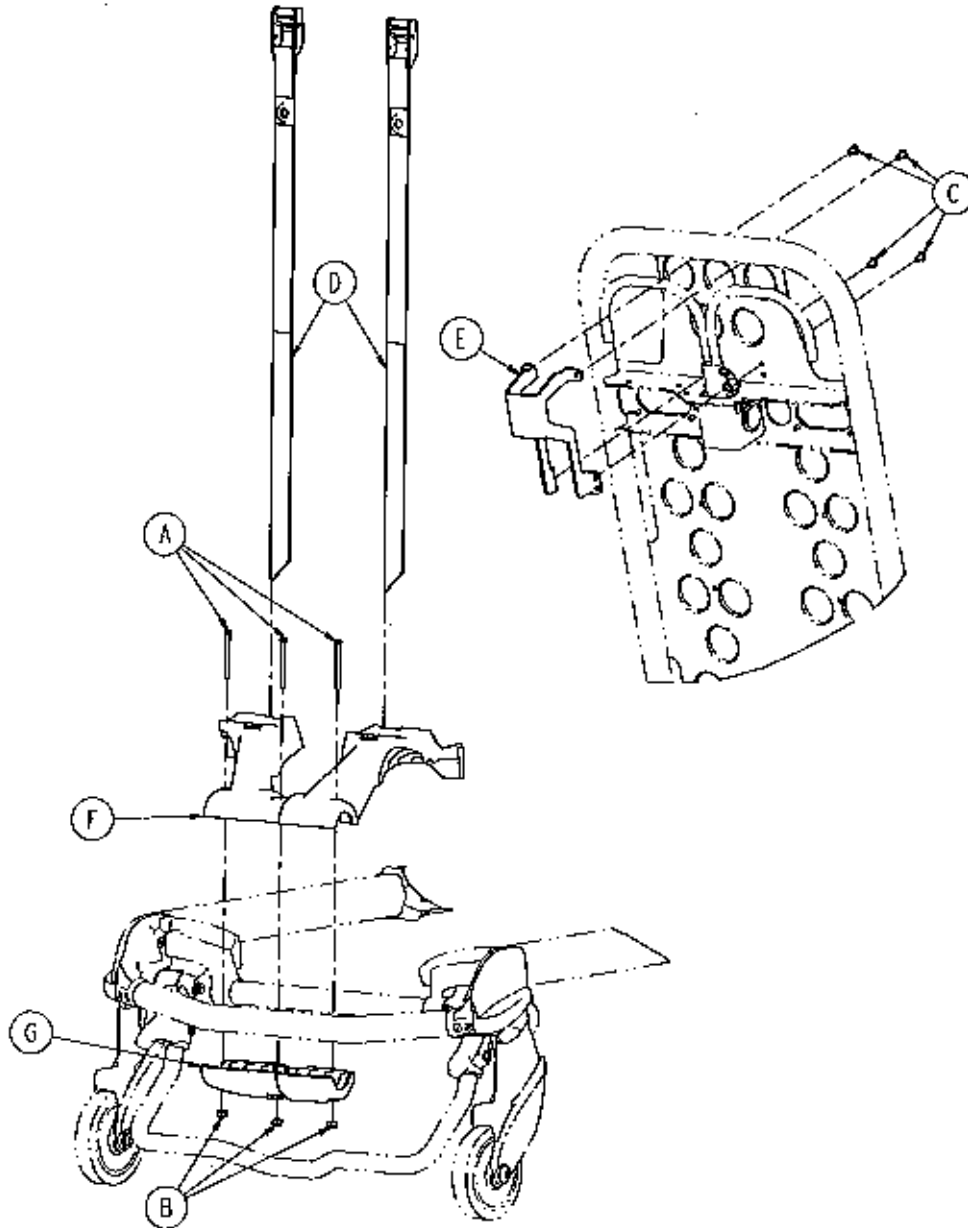
6080-140-010 Rev A (Reference Only)



Item	Part No.	Part Name	Qty.
A	6080-140-011	Oxygen Bottle Holder Hanger	2
B	6080-140-012	Oxygen Bottle Holder	1

# Retractable Head Section Oxygen Bottle Holder - 6085-046-000

Rev B



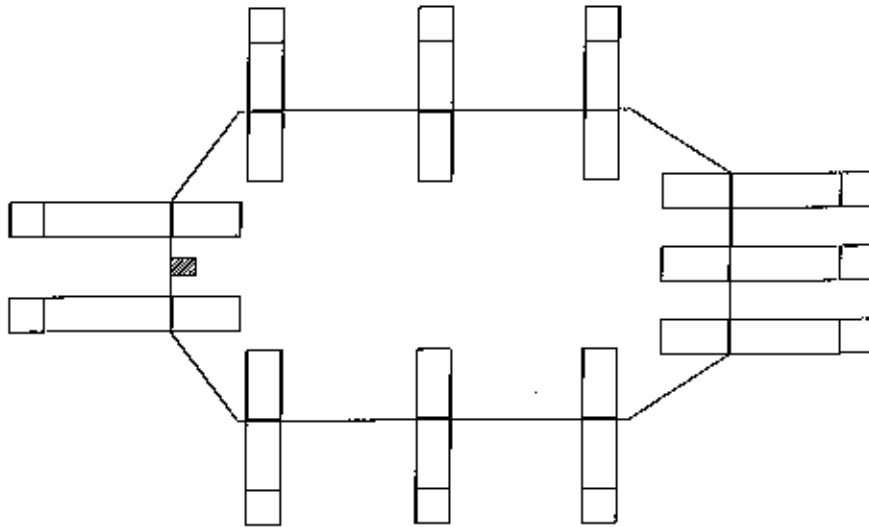
Item	Part No.	Part Name	Qty.
A	0004-656-000	Socket Head Cap Screw	3
B	0016-002-000	Fiberlock Hex Nut	3
C	0025-079-000	Dome Head Rivet	4
D	6085-001-171	Oxygen Strap, Head End	2
E	6085-001-172	Oxygen Fowler Guard	1
F	6085-001-173	Oxygen Bottle Holder, Top	1
G	6085-001-174	Oxygen Bottle Holder, Bottom	1

[Return To Table of Contents](#)

# Base Storage Net - 6500-160-000

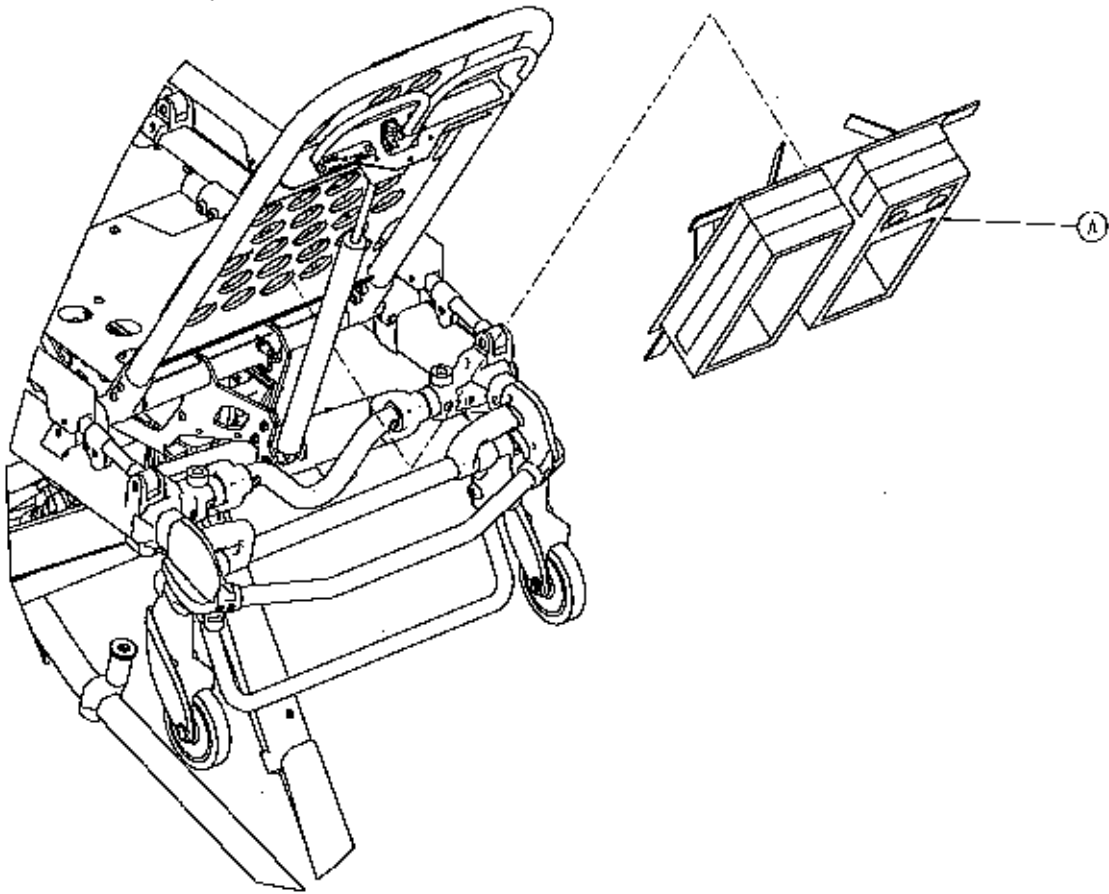
---

6500-001-126 Rev D (Reference Only)



# Backrest Pouch - 6500-130-000

Rev A

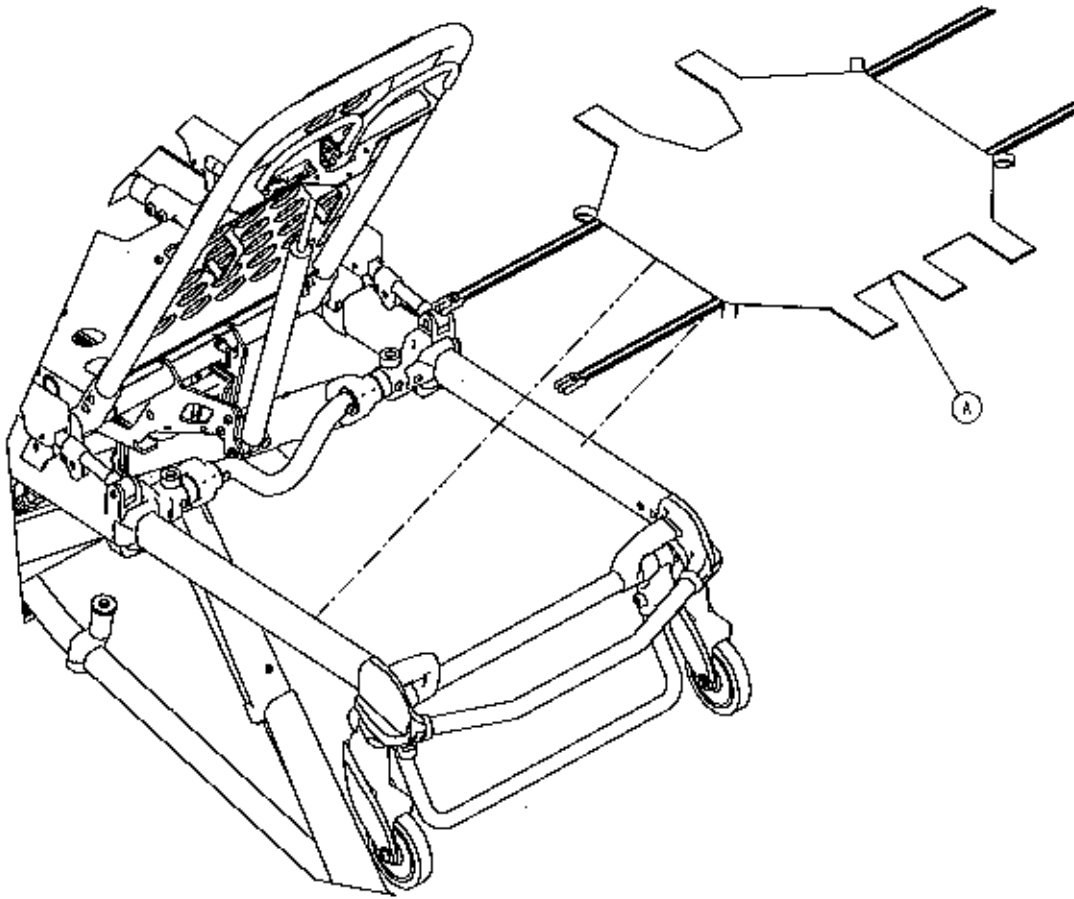


Item	Part No.	Part Name	Qty.
A	6500-001-241	Pocketed Backrest Storage Pouch	1

[Return To Table of Contents](#)

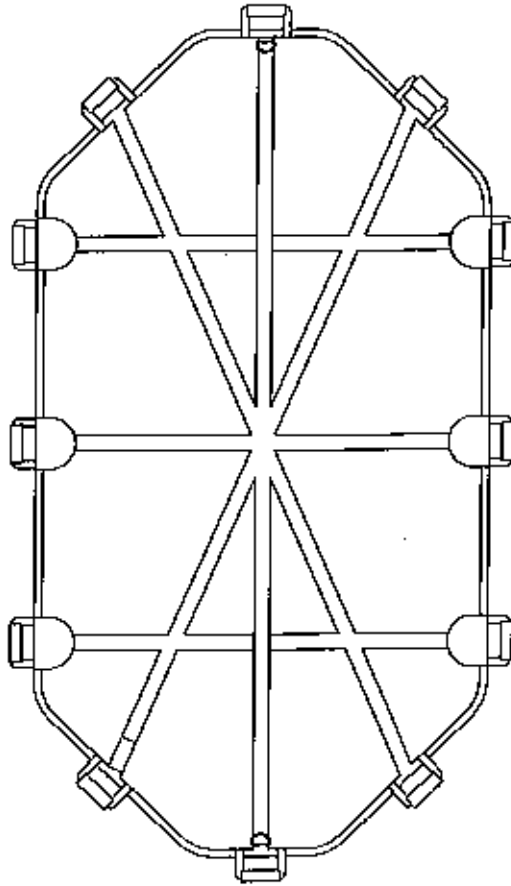
# Head End Storage Flat - 6500-128-000

Rev A



Item	Part No.	Part Name	Qty.
A	6500-001-232	Head End Storage Flat	1

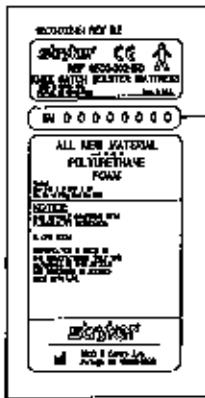
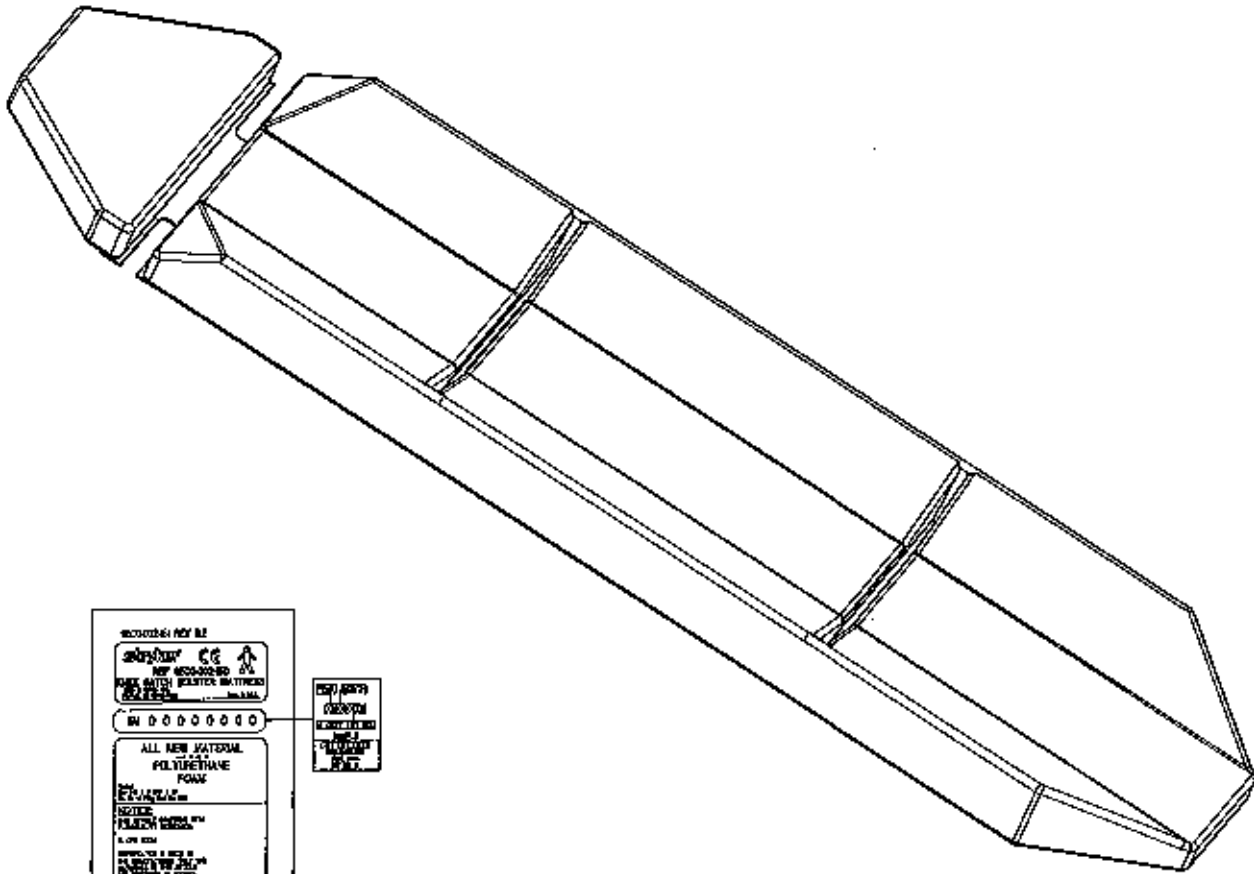




# Mattress - 6506-034-000

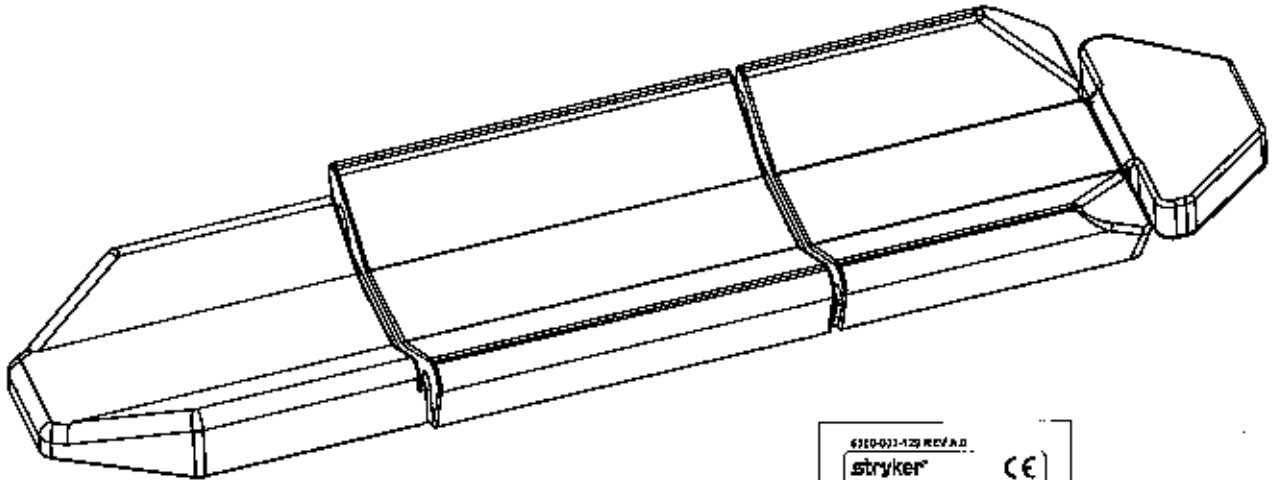
Rev A

6500-002-150 Rev F (Reference Only)



# Mattress, Gatch Bolster, XPS Option - 6500-003-130

Rev E



6500-003-130 REV A.0

**stryker** CE

REF 6500-003-130  
 SPANXON® GATCH BOLSTER MATTRESS  
 Stryker HealthCare, Inc.  
 3000 N. Lincoln Ave.,  
 Fort Worth, TX 76106, U.S.A. Date 6/07/04

SN 0 0 0 0 0 0 0 0  
 0 0 0 0 0 0

**ALL NEW MATERIAL**  
 composed of  
**POLYURETHANE  
 FOAM**

Complies with  
 EN 1811:2003/EN 1812:  
 2007/EN 1817:2007

MSFCA  
 THE ARTIKUL COMPANY  
 BETHLEHEM, PA  
 BRAND: REF 6500  
 NCPA: REF 6500

CONSTRUCTION MADE BY  
 THE MANUFACTURER ONLY  
 THE MATERIALS FOR  
 ARTIKUL BRAND PERFORMANCE  
 EQUIPMENT  
 WITH LOGO REF 6500

YEAR	MONTH
X X X X	X X X X
4-DIGIT EOT NO.	
YEAR	MONTH
X X X X	X X X X
EXAMPLE	
SN	0 0 0 0 0 0 1 2
MI	2 0 0 4 0 0
MANUFACTURED	
JUNE 2004	
EOT NO. 12	

[Return To Table of Contents](#)

**Safety Hook, Short - 6060-036-017/Safety Hook, Long - 6060-036-018/Safety Hook, J - 6092-036-018**

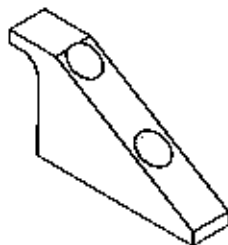
---

Rev A



**6092-036-018**

**J**



**6060-036-018**

**Long**



**6060-036-017**

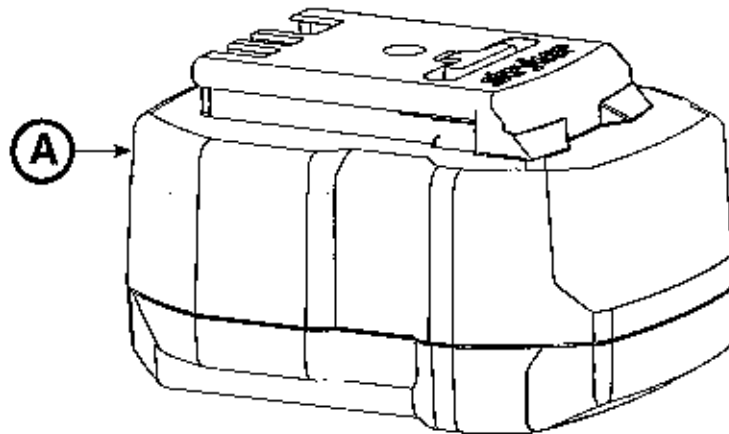
**Short**

# Recycling Passport

Assembly Part Number: 6500-101-010 (Reference Only)



View of battery



Item	Recycling/Material Code	Important Information	Qty
A	SMRT™ Pak (6500-101-010)	NiCd	2



The Rechargeable Battery Recycling Corporation (RBRC) is a non-profit, public service organization that promotes the recycling of portable rechargeable batteries. Batteries must be delivered to a battery collection site. Visit the RBRC website ([www.rbrc.org](http://www.rbrc.org)) to find a nearby collection site or call the phone number shown on the recycling symbol.

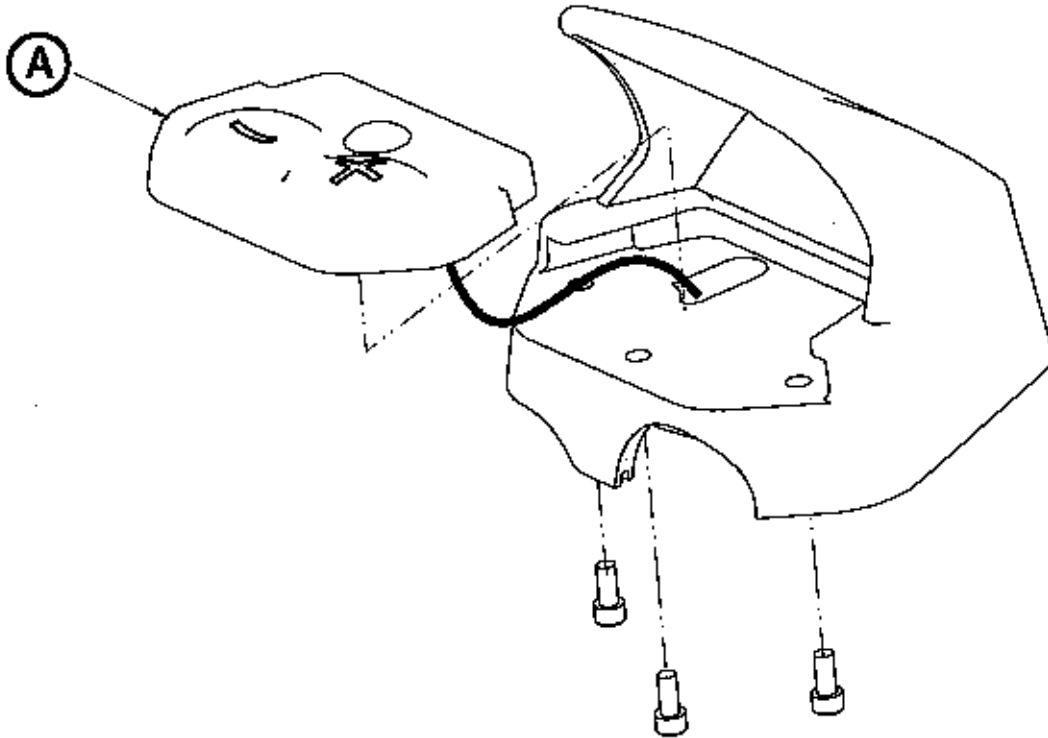
[Return To Table of Contents](#)

# Recycling Passport

Assembly Part Number: 6500-101-016 (Reference Only)



Exploded view of switch assembly



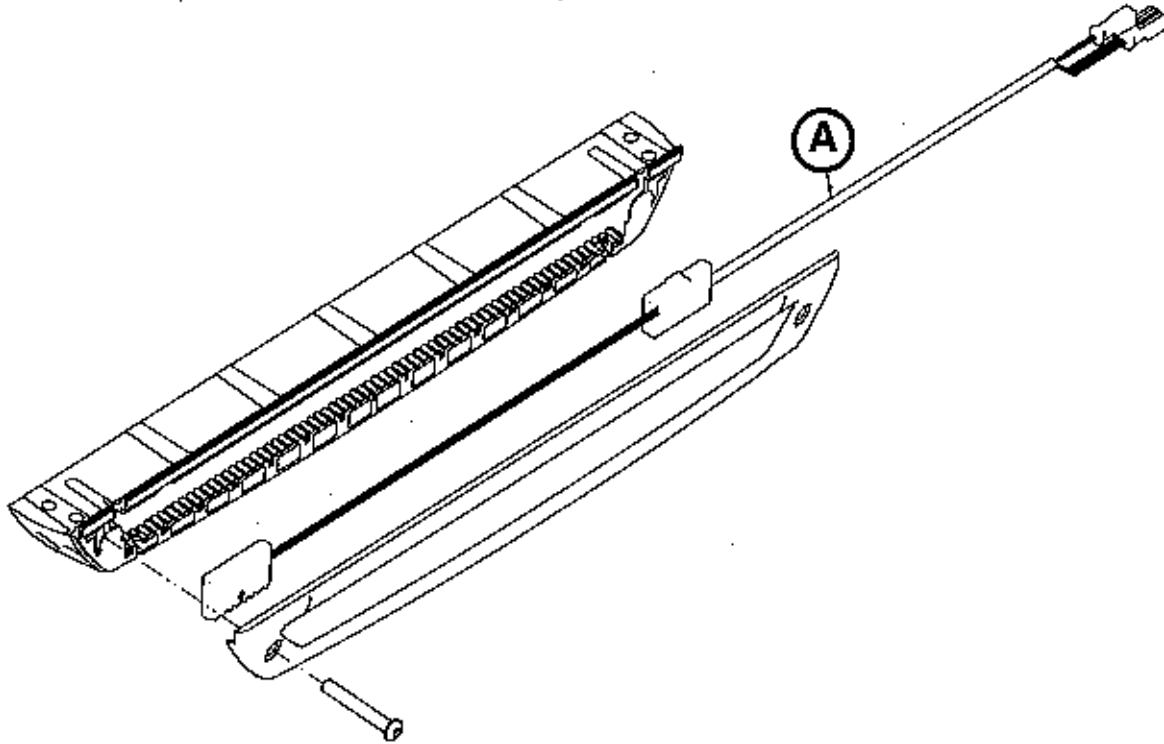
Item	Recycling/Material Code	Important Information	Qty
A	Printed Circuit Board		2

# Recycling Passport

Assembly Part Number: 6500-002-028 (Reference Only)



Exploded view of hall sensor assembly



Item	Recycling/Material Code	Important Information	Qty
A	Printed Circuit Board		1

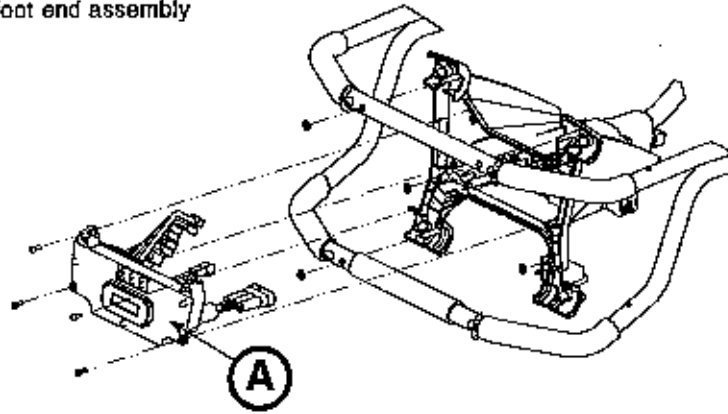
[Return To Table of Contents](#)

# Recycling Passport

Assembly Part Number: 6500-102-015 (Reference Only)

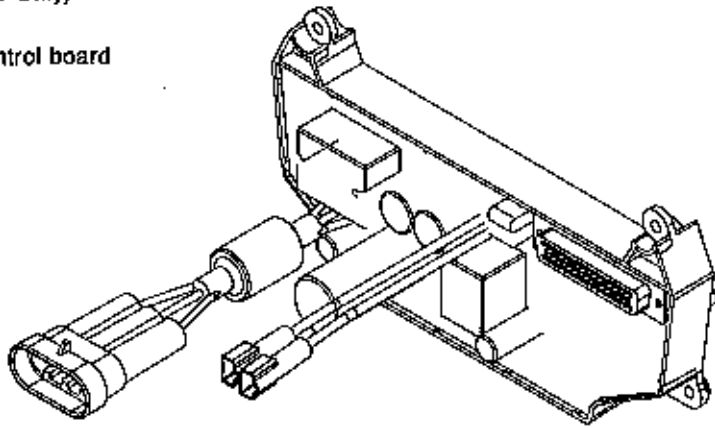


Exploded view of foot end assembly



Assembly Part Number: 6500-002-014 (Reference Only)

Exploded view of electronics control board



Item	Recycling/Material Code	Important Information	Qty
A	Printed Circuit Board	Contains Liquid Crystal Display	1

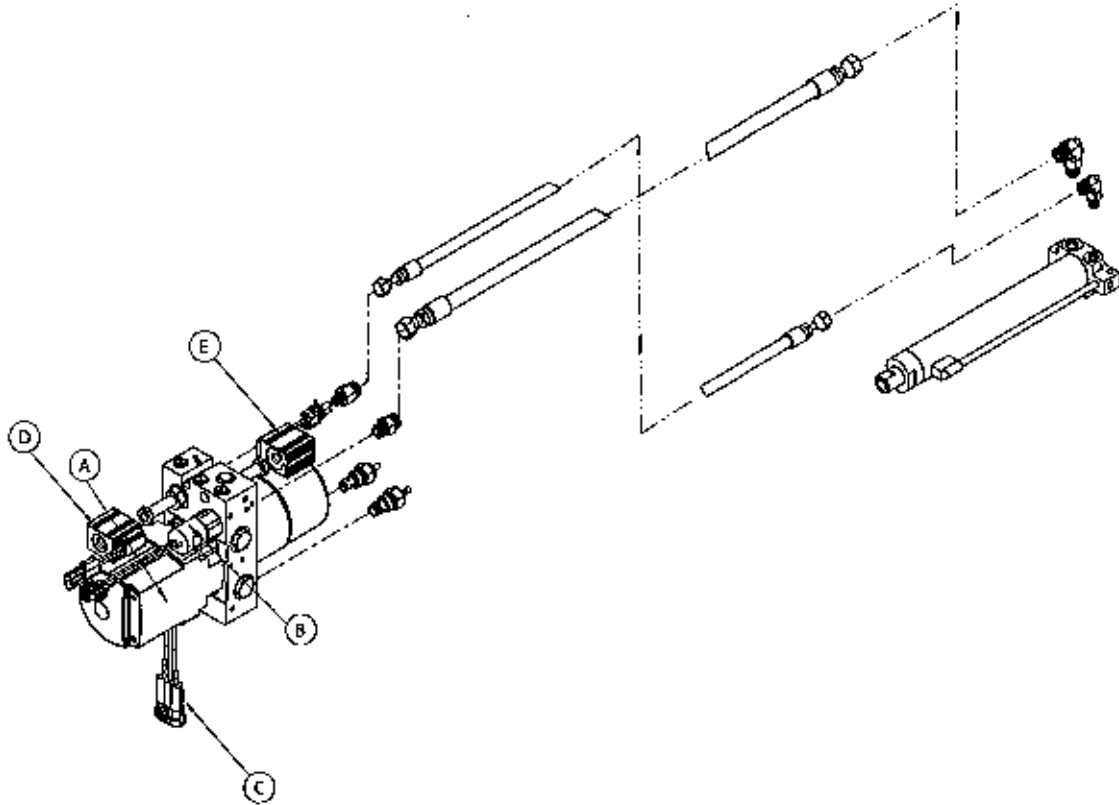


# Recycling Passport

Assembly Part Number: 6500-001-030 (Reference Only)



Exploded view of hydraulics assembly



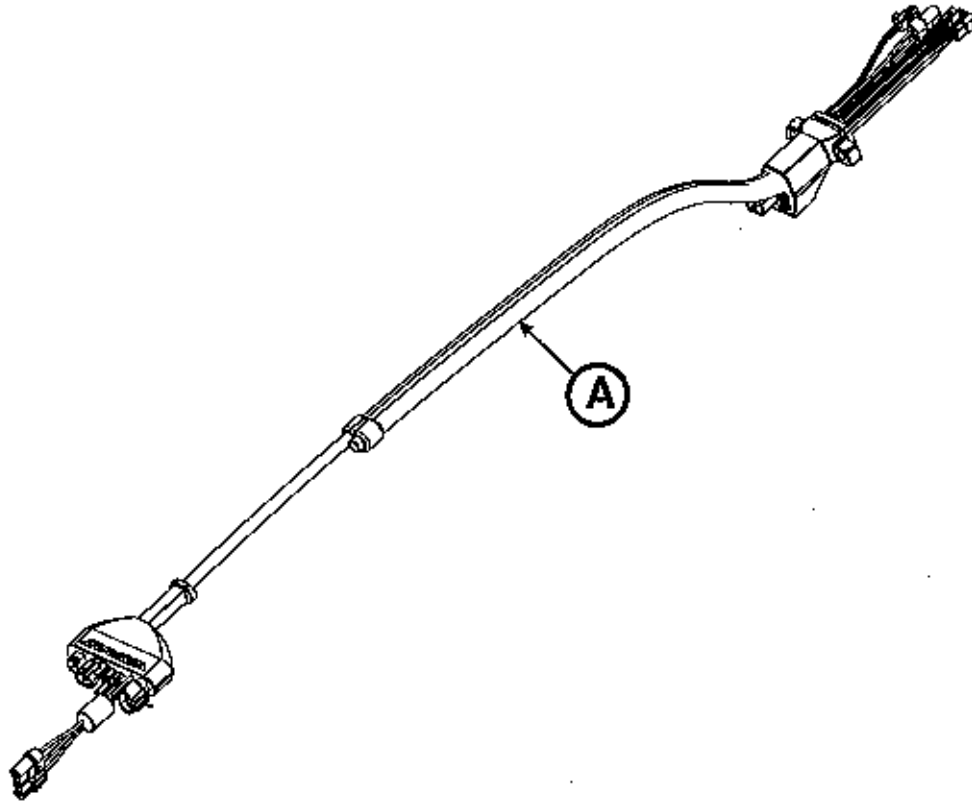
Item	Recycling/Material Code	Important Information	Qty
A	Motor	Contains Automatic Transmission Fluid*	1
B	External Electrical Cable		1
C	External Electrical Cable		1
D	External Electrical Cable		1
E	External Electrical Cable		1

\* Mobil Mercon® V Synthetic Blend or equivalent

[Return To Table of Contents](#)

# Recycling Passport

Assembly Part Number: 6500-002-159 (Reference Only)



Item	Recycling/Material Code	Important Information	Qty
A	External Electrical Cable		1

# Warranty

---

Stryker EMS, a division of the Stryker Corporation, offers one warranty option in the United States:

**Two (2) year parts and labor.** Stryker EMS warrants to the original purchaser that its products should be free from manufacturing non-conformances that affect product performance and customer satisfaction for a period of two (2) years after date of delivery. Stryker's obligation under this warranty is expressly limited to supplying replacement parts and labor for, or replacing, at its option, any product that is, in the sole discretion of Stryker, found to be defective. Expendable components, i.e. mattresses, restraints, I.V. poles, storage nets, storage pouches, oxygen straps, and other soft goods, have a one (1) year limited warranty.

The Stryker Power-PRO™ XT is designed for a 7 year expected service life under normal use conditions, and with appropriate periodic maintenance as described in the maintenance manual. Stryker warrants to the original purchaser that the welds on the Power-PRO™ XT will be free from structural defects for the expected 7 year life of the product as long as the original purchaser owns the product. Original purchasers will also obtain a three (3) year limited parts warranty for the X-frame components of the Power-PRO™ cot and a three (3) year limited power train warranty covering the motor pump assembly and hydraulic cylinder assembly. Stryker's obligation under this three (3) year limited warranty is expressly limited to supplying replacement parts and labor for, or replacing, at its option, any part that is, in the sole discretion of Stryker, found to be defective.

**SMRT™ Power Warranties.** Stryker EMS warrants the SMRT™ Charger for the same duration as the Stryker product for which it is furnished. All SMRT™ Paks are warranted to be free from manufacturing non-conformances that affect product performance and customer satisfaction for a period of one (1) year.

Upon Stryker's request, purchaser shall return to Stryker's factory any product or part (freight prepaid by Stryker) for which an original purchaser makes a warranty claim.

Any improper use or alteration or repair by unauthorized service providers in such a manner as in Stryker's judgment affects the product materially and adversely, shall void this warranty. Any repair of Stryker products using parts not provided or authorized by Stryker shall void this warranty. No employee or representative of Stryker is authorized to change this warranty in any way.

This statement constitutes Stryker EMS's entire warranty with respect to the aforesaid equipment. STRYKER MAKES NO OTHER WARRANTY OR REPRESENTATION EITHER EXPRESSED OR IMPLIED, EXCEPT AS SET FORTH HEREIN. THERE IS NO WARRANTY OF MERCHANTABILITY AND THERE ARE NO WARRANTIES OF FITNESS FOR ANY PARTICULAR PURPOSE. IN NO EVENT SHALL STRYKER BE LIABLE HEREUNDER FOR INCIDENTAL OR CONSEQUENTIAL DAMAGES ARISING FROM OR IN ANY MANNER RELATED TO SALES OR USE OF ANY SUCH EQUIPMENT.

# Warranty

---

## **STRYKER EMS RETURN POLICY**

Cots, Stair Chairs, Evacuation Chairs, Cot Fasteners and Aftermarket Accessories may be returned up to 180 days of receipt if they meet the following guidelines:

### **Prior to 30 Days**

- 30 day money back guarantee in effect
- Stryker EMS is responsible for all charges
- Returns will not be approved on modified items

### **Prior to 90 Days**

- Product must be **unused, undamaged** and in the original packaging
- Customer is responsible for a 10% restocking fee

### **Prior to 180 Days**

- Product must be **unused, undamaged** and in the original packaging
- Customer is responsible for a 25% restocking fee

## **RETURN AUTHORIZATION**

Stryker customer service department must approve any merchandise return and will provide an authorization number to be printed on any returned merchandise. Stryker reserves the right to charge shipping and restocking fees on returned items. **SPECIAL, MODIFIED, OR DISCONTINUED ITEMS NOT SUBJECT TO RETURN.**

## **DAMAGED MERCHANDISE**

ICC Regulations require that claims for damaged merchandise must be made with the carrier within fifteen (15) days of receipt of merchandise. **DO NOT ACCEPT DAMAGED SHIPMENTS UNLESS SUCH DAMAGE IS NOTED ON THE DELIVERY RECEIPT AT THE TIME OF RECEIPT.** Upon prompt notification, Stryker will file a freight claim with the appropriate carrier for damages incurred. Claim will be limited in amount to the actual replacement cost. In the event that this information is not received by Stryker within the fifteen (15) day period following the delivery of the merchandise, or the damage was not noted on the delivery receipt at the time of receipt, the customer will be responsible for payment of the original invoice in full.

Claims for any short shipment must be made within thirty (30) days of invoice.

## **INTERNATIONAL WARRANTY CLAUSE**

This warranty reflects U.S. domestic policy. Warranty outside the U.S. may vary by country. Please contact your local Stryker Medical representative for additional information.

## **PATENT INFORMATION**

The Stryker **Power-PRO™** XT cot is covered by one or more of the following patents:

United States    5,537,700            5,575,026            6,908,133            7,398,571            7,540,047

Other patents pending

The Stryker **SMRT™** Power System is covered by one or more of the following patents:

United States    5,977,748            6,018,227

Other patents pending

# EMC Information

## POWER-PRO XT

<b>Guidance and manufacturer's declaration - electromagnetic emissions</b>		
The Model 6506 Power-PRO™ XT cot is intended for use in the electromagnetic environment specified below. The customer or the user of the Model 6506 Power-PRO™ XT cot should assure that it is used in such an environment.		
Emissions test	Compliance	Electromagnetic environment - guidance
RF emissions CISPR 11	Group 1	The Model 6506 Power-PRO™ XT cot uses RF energy only for its internal function. Therefore, its RF emissions are very low and are not likely to cause any interference in nearby electronic equipment.
RF emissions CISPR 11	Group 2	The Model 6506 Power-PRO™ XT cot must emit electromagnetic energy in order to perform its intended function. Nearby electronic equipment may be affected.
RF emissions CISPR 11	Cot: Class A	The Model 6506 Power-PRO™ XT cot is suitable for use in all establishments other than domestic and those directly connected to the public low-voltage power supply network that supplies buildings used for domestic purposes.
	<b>SMRT™ Charger</b> (6500-201-010): Class A	The <b>SMRT™ Charger</b> is suitable for use in all establishments other than domestic establishments other than domestic and those directly connected to the public low-voltage power supply network that supplies buildings used for domestic purposes.
Harmonic emissions IEC 61000-3-2	Cot: N/A	Not applicable
	<b>SMRT™ Charger</b> (6500-201-010): Class A	
Voltage fluctuations flicker emissions IEC 61000-3-3	Cot: N/A	Not applicable
	<b>SMRT™ Charger</b> (6500-201-010): Complies	

[Return To Table of Contents](#)

# EMC Information

## POWER-PRO™ XT (CONTINUED)

<b>Guidance and manufacturer's declaration - electromagnetic immunity</b>			
The Model 6506 Power-PRO™ XT cot is intended for use in the electromagnetic environment specified below. The customer or user of the Model 6506 Power-PRO™ XT cot should assure that it is used in such an environment.			
IMMUNITY test	EN/IEC 60801 test level	Compliance level	Electromagnetic environment - guidance
Electrostatic discharge (ESD) EN/IEC 61000-4-2	±6 kV contact ±8 kV air	±6 kV contact ±8 kV air	Floors should be wood, concrete or ceramic tile. If floors are covered with synthetic material, the relative humidity should be at least 30%. Applies to: • Cot • <b>SMRT™</b> Charger (6500-201-010)
Electrostatic fast transient/burst IEC 61000-4-4	±2 kV for power supply lines  ±1 kV for input/output lines	±2 kV for power supply lines  ±1 kV for input/output lines	Mains power quality should be that of a typical commercial or hospital environment. Applies to: • <b>SMRT™</b> Charger (6500-201-010)
Surge IEC 61000-4-5	±8 kV differential mode  ±2 kV common mode	±8 kV differential mode  ±2 kV common mode	Mains power quality should be that of a typical commercial or hospital environment. Applies to: • <b>SMRT™</b> Charger (6500-201-010)
Voltage dips, short interruptions, and voltage variations on power supply input lines IEC 61000-4-11	<5% $U_T$ (>95% dip in $U_T$ ) for 0,5 cycle 40% $U_T$ (60% dip in $U_T$ ) for 5 cycles 70% $U_T$ (30% dip in $U_T$ ) for 25 cycles <5% $U_T$ (>95% dip in $U_T$ ) for 5 seconds	<5% $U_T$ (>95% dip in $U_T$ ) for 0,5 cycle 40% $U_T$ (60% dip in $U_T$ ) for 5 cycles 70% $U_T$ (30% dip in $U_T$ ) for 25 cycles <5% $U_T$ (>95% dip in $U_T$ ) for 5 seconds	Mains power quality should be that of a typical commercial or hospital environment. If the user of the charger requires continued operation during power main interruptions, it is recommended that the device be powered from an uninterrupted power supply or a battery.
Power frequency (50/60Hz) magnetic field EN/IEC 61000-4-8	3A/m	3A/m	Power frequency magnetic fields should be at levels characteristic of a typical location in a typical commercial or hospital environment. Applies to: • Cot • <b>SMRT™</b> Charger (6500-201-010)
<b>Note:</b> $U_T$ is the alternating current mains voltage prior to application of the test level.			

# EMC Information


## POWER-PRO XT (CONTINUED)

<b>Guidance and manufacturer's declaration - electromagnetic immunity</b>			
The Model 6506 Power-PRO™ XT cot is intended for use in the electromagnetic environment specified below. The customer or user of the Model 6506 Power-PRO™ XT cot should assure that it is used in such an environment.			
IMMUNITY test	EN/IEC 60601 test level	Compliance level	Electromagnetic environment - guidance
Conducted RF EN/IEC 61000-4-8	3 Vrms 150 kHz to 80 MHz	3 Vrms	<p>Portable and mobile RF communications equipment should be used no closer to any part of the model 6506 Power-PRO™ XT cot, including cables, than the recommended separation distance calculated from the equation appropriate for the frequency of the transmitter.</p> <p><b>Recommended separation distance</b>  <math>d=1.2\sqrt{P}</math></p> <p>Applies to:</p> <ul style="list-style-type: none"> <li>• SMRT™ Charger (6500-201-010)</li> </ul>

[Return To Table of Contents](#)

# EMC Information

## POWER-PRO™ XT (CONTINUED)

Guidance and manufacturer's declaration - electromagnetic immunity			
The Model 6506 Power-PRO™ XT cot is intended for use in the electromagnetic environment specified below. The customer or user of the Model 6506 Power-PRO™ XT cot should assure that it is used in such an environment.			
IMMUNITY test	EN/IEC 60801 test level	Compliance level	Electromagnetic environment - guidance
Radiated RF EN/IEC 61000-4-3	20 V/m 80 MHz to 2,5 GHz	20 V/m	<p>Portable and mobile RF communications equipment should be used no closer to any part of the Model 6506 Power-PRO™ XT cot, including cables, than the recommended separation distance calculated from the equation applicable to the frequency of the transmitter.</p> <p><b>Recommended separation distance:</b></p> <p><math>D=(1.2)(\sqrt{P})</math></p> <p><math>D=(0.18)(\sqrt{P})</math> 80 MHz to 800 MHz</p> <p><math>D=(0.35)(\sqrt{P})</math> 800 MHz to 2,5 GHz</p> <p>where <math>P</math> is the maximum output power rating of the transmitter in watts (W) according to the transmitter manufacturer and <math>d</math> is the recommended separation distance in metres (m).</p> <p>Field strengths from fixed RF transmitters, as determined by an electromagnetic site survey, <sup>a</sup> should be less than the compliance level in each frequency range. <sup>b</sup></p> <p>Interference may occur in the vicinity of equipment with the following symbol:</p> <div style="text-align: center;">  </div>

**NOTE 1:** At 80 MHz and 800 MHz, the higher frequency range applies.

**NOTE 2:** These guidelines may not apply in all situations. Electromagnetic propagation is affected by absorption and reflection from structures, objects and people.

<sup>a</sup> Field strengths from fixed transmitters, such as base stations for radio (cellular/cordless) telephones and land mobile radios, amateur radio, AM and FM radio broadcast, and TV broadcast cannot be predicted theoretically with accuracy. To assess the electromagnetic environment due to fixed RF transmitters, an electromagnetic site survey should be considered. If the measured field strength in the location in which the Model 6506 Power-PRO™ XT cot is used exceeds the applicable RF compliance level above, the Model 6506 Power-PRO™ XT cot should be observed to verify normal operation. If abnormal performance is observed, additional measures may be necessary, such as re-orienting or relocating the Model 6506 Power-PRO™ XT cot.

<sup>b</sup> Over the frequency range 150 kHz to 80 MHz, field strengths are less than 20 V/m.

[Return To Table of Contents](#)

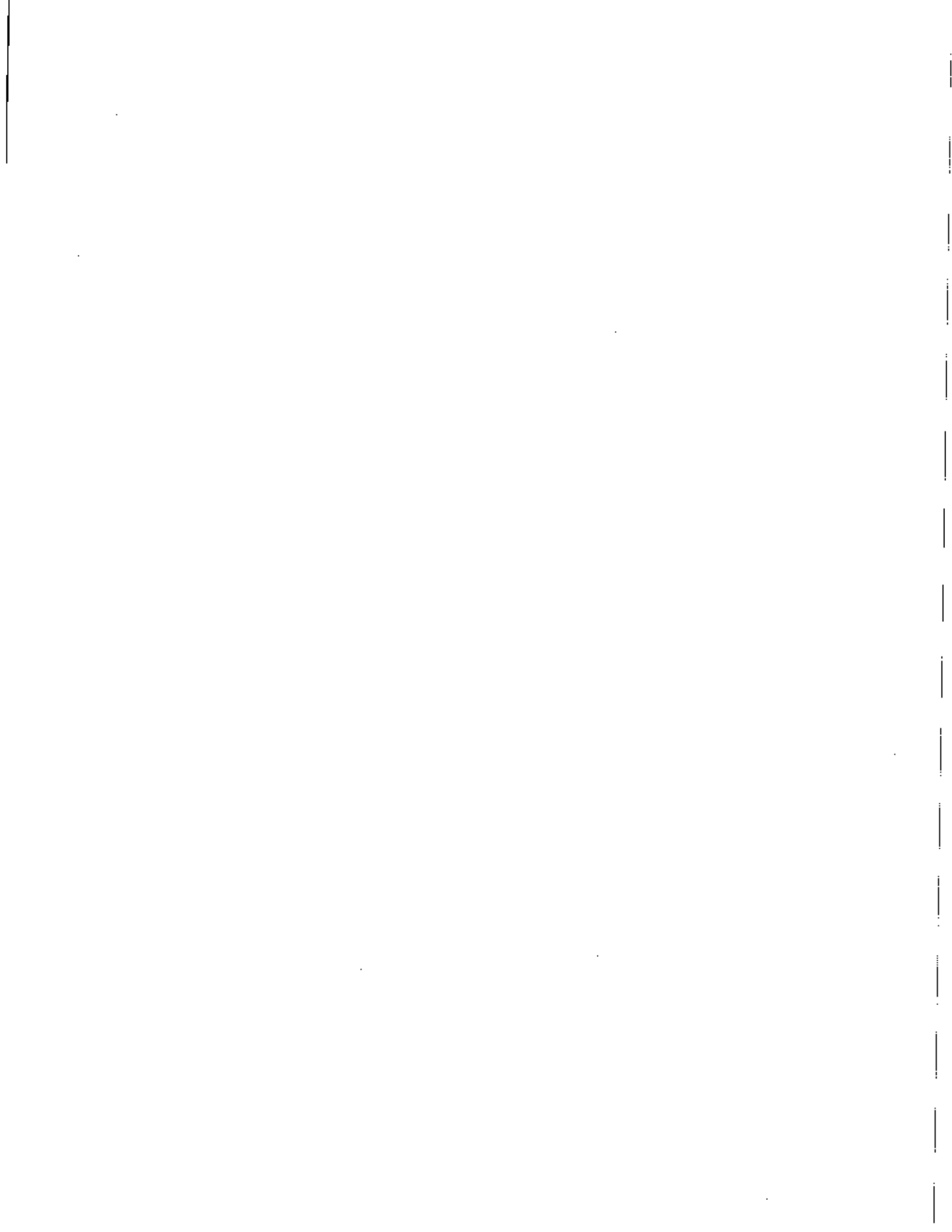


# EMC Information

## POWER-PRO™ XT (CONTINUED)

Recommended separations distances between portable and mobile RF communication equipment and the Model 6506 Power-PRO™ XT cot			
The Model 6506 Power-PRO™ XT cot is intended for use in an electromagnetic environment in which radiated RF disturbances are controlled. The customer or the user of the Model 6506 Power-PRO™ XT cot can help prevent electromagnetic interference by maintaining a minimum distance between portable and mobile RF communications equipment (transmitters) and the Model 6506 Power-PRO™ XT cot as recommended below, according to the maximum output power of the communications equipment.			
Rated maximum output power of transmitter W	Separation distance according to frequency of transmitter m		
	150 kHz to 80 MHz $D=(1.2)(\sqrt{P})$	80 MHz to 800 MHz $D=(0.18)(\sqrt{P})$	800 MHz to 2,5 GHz $D=(0.35)(\sqrt{P})$
0.01	0.12	0.018	0.035
0.1	0.38	0.57	0.11
1	1.2	0.18	0.35
10	3.8	0.57	1.1
100	12	1.8	3.5
For transmitters rated at a maximum output power not listed above, the recommended separation distance <i>d</i> in meters (m) can be estimated using the equation applicable to the frequency of the transmitter, where <i>P</i> is the maximum output power rating of the transmitter in watts (W) according to the transmitter manufacturer.			
NOTE 1: At 80 MHz and 800 MHz, the separation distance for the higher frequency range applies.			
NOTE 2: These guidelines may not apply in all situations. Electromagnetic propagation is affected by absorption and reflection from structures, objects and people.			

[Return To Table of Contents](#)



STYKOR MACHINERY  
CORPORATION  
1000 N. WILSON ST.  
USA

|| Co || Ltd ||

STYKOR MACHINERY CORPORATION  
2000 Avenue of the Stars  
Suite 1000  
USA



STYKOR

2000/001

STYKOR MACHINERY

www.stykor.com