

# **PARTS MANUAL**

**Model**

**RGX3600  
Generator**

PUB-GP6289  
Rev. 08/06

# **Robin America, Inc.**

940 Lively Blvd. • Wood Dale, IL 60191 • Phone: 630-350-8200 • Fax: 630-350-8212  
e-mail: [sales@robinamerica.com](mailto:sales@robinamerica.com) • [www.robinamerica.com](http://www.robinamerica.com)

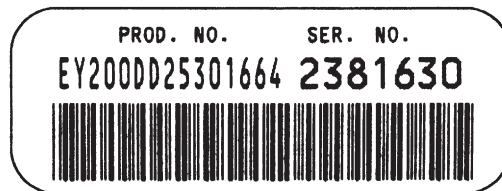
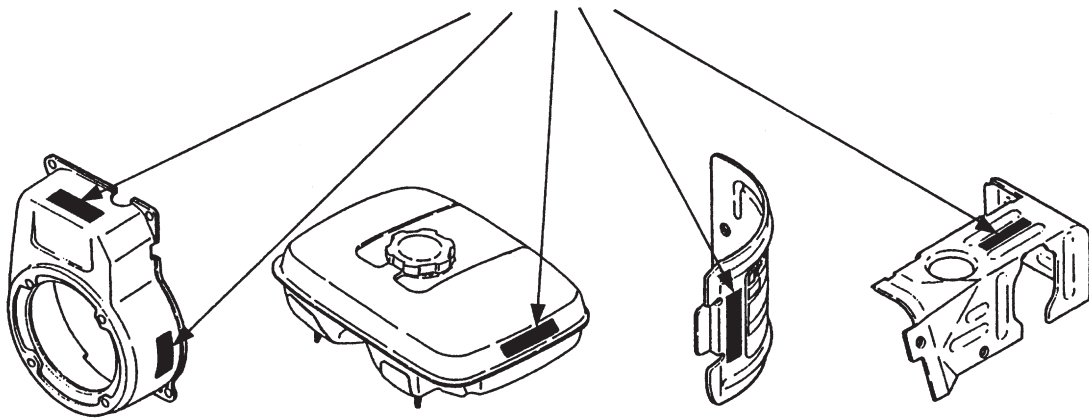
© Copyright 2006 Robin America, Inc.

## HOW TO USE THIS MANUAL

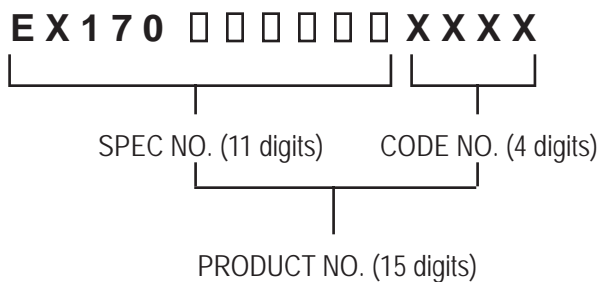
Robin engines are identified by MODEL, SPECIFICATION, and CODE NUMBER. For each model there may be many different versions called specifications. Each specification will be unique in some way. The difference may only be the paint color or it may have a different type of PTO or some other significant difference.

In order to identify the correct service part number, it is important to confirm the specification and code numbers for your engine. The specification and code number together are known as the PRODUCT NUMBER.

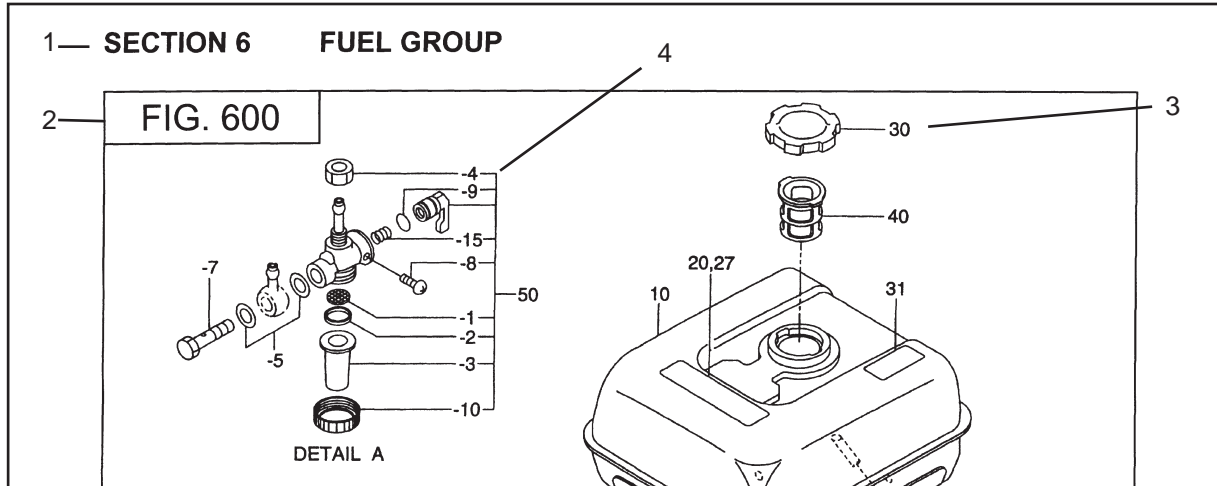
All Robin 4 cycle engines have a Product Number label similar to the label illustrated below.



The Product Number Label has a 15 digit alphanumeric string that consists of the SPECIFICATION (SPEC) number (11 digits) and the CODE number (4 digits). Please note the illustration below:



# MANUAL LAYOUT



REF.	PART NO.	DESCRIPTION	QTY.	REMARKS	FROM-TO	FIG.
10	267-60103-01	FUEL TANK CP	1	YD, YS TYPE, BLACK		600
	267-60101-01	FUEL TANK CP	1	YELLOW		600
27	073-20039-00	LABEL, WARNING	1	YD, YS TYPE		600
30	043-04300-15	FUEL TANK CAP CP	1			600
31	267-95201-03	LABEL, EMISSION	1	YD, YS TYPE		600
40	064-13600-10	FUEL FILTER	1			600
50	064-20021-01	FUEL STRAINER AY	1			600
-1	064-20002-20	FILTER	1			600
-2	064-20002-30	GASKET	1			600
-3	064-20019-10	CUP	1			600

1. SECTION NAME      Parts are broadly classified according to their functions. Refer to the Group Index (table of contents) for respective section name.
2. FIG. No.            The FIG. number indexes the reference and part numbers to the illustration. Figure numbers that vary only in the tens place (i.e.: 700 and 710) are in a group of the same section (i.e.:Electrical Device Group).
3. REF. No .            The Reference number identifies the part illustration with the corresponding part number in the part list.
4. SUBASSEMBLY      SUBASSEMBLY parts of part assembly are listed below the assembly part. The subassembly part reference number is indicated by the number led by "-" such as "-1", "-2".
5. PART NUMBER      It is the number assigned for sales unit. Use the PART No. when making an order.
6. DESCRIPTION      It is designation of the part.
7. QTY.                Quantity of each part used for each product.
8. REMARKS            This gives a distinctive feature and/or a supplementary comment for the type, the specification, and the part concerned. It also shows part number(s) interchangeable for the part.
9. FROM-TO            This section shows the CODE No. to indicate the history of progress in which improved parts have been introduced in the product. The FROM-TO CODE No. helps to identify PART No. being employed in the product concerned. See the examples below:
  - The part is used in the product irrespective of CODE No.
  - 2101-                The part is used in the products with CODE No. of 2101 and after this number.
  - 2100                The part is used in the products with CODE No. of 2100 and before this number.

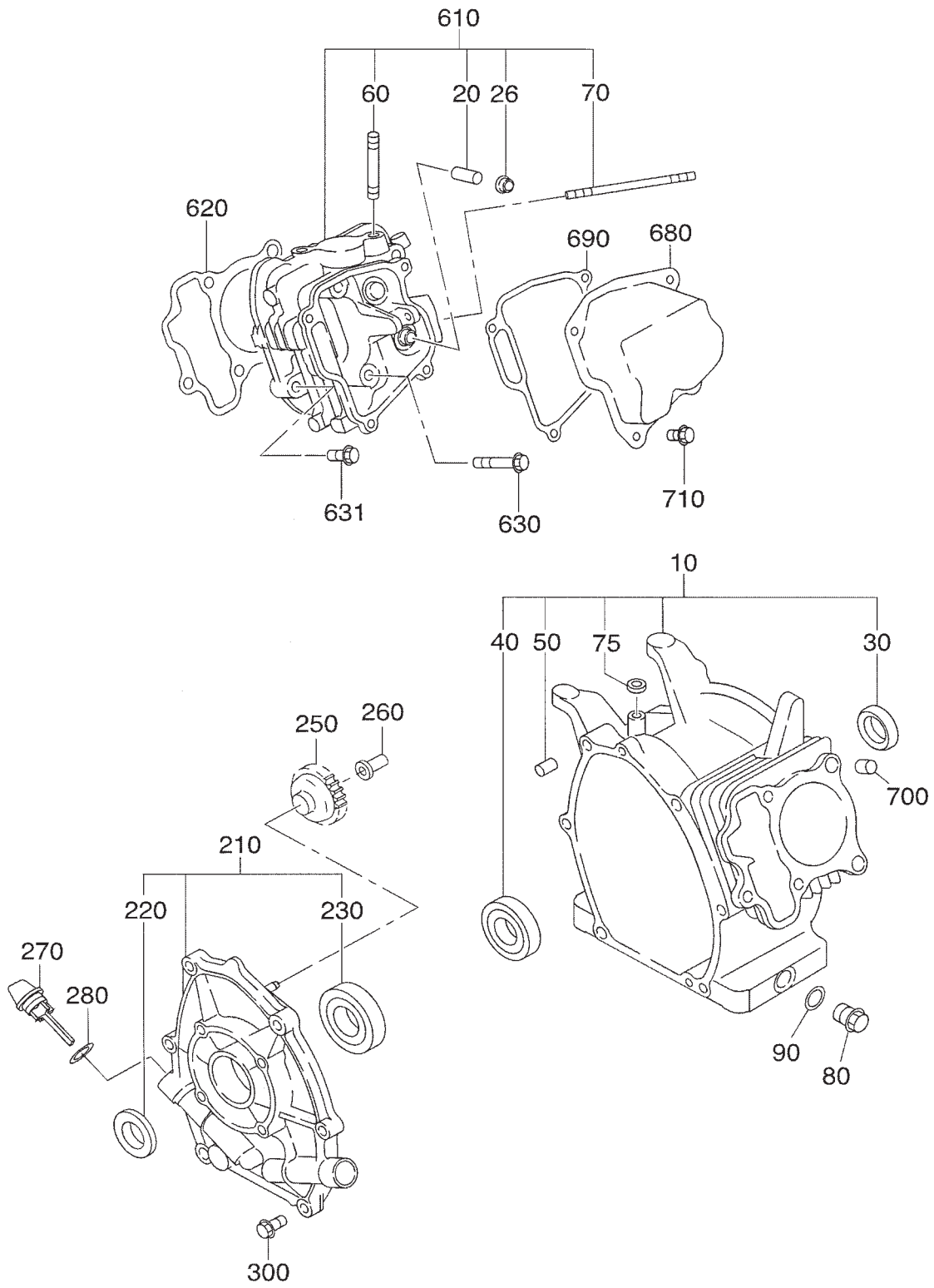
# GROUP INDEX

Group Name	Page
CRANKCASE .....	6
CRANKSHAFT, PISTON .....	8
INTAKE, EXHAUST .....	10
GOVERNOR, OPERATION.....	12
COOLING, STARTING .....	14
ELECTRIC DEVICE .....	16
ENGINE.....	18
GENERATOR .....	20
BASE, FRAME .....	22
CONTROL.....	26
COVER.....	28
FUEL TANK .....	30
ACCESSORY GROUP .....	32

<b>INDEX OF DESCRIPTION SYMBOLS</b>			
<b>SYMBOL</b>	<b>DESCRIPTION</b>	<b>SYMBOL</b>	<b>DESCRIPTION</b>
AY .....	ASSEMBLY	P= .....	PITCH (in mm)
CP.....	COMPLETE	P.T.O. (PTO) .....	POWER TAKE OFF
EX.....	EXPORT (from Japan)	REF.....	REFERENCE
FIG.....	FIGURE	R.H. (RH).....	RIGHT HAND SIDE
FR.....	FRONT	RR.....	REAR
" .....	INCH	STD. ....	STANDARD
INCL. ....	INCLUDE	SW.....	SWITCH
~L.....	LITER	T= .....	THICKNESS (in mm)
L= .....	LENGTH (in. mm)	UN .....	UNIT
L.H. (LH).....	LEFT-HAND SIDE	U.S.....	UNDER SIZE
MECH.....	MECHANICAL	~V .....	VOLTAGE
NO (NON).....	NONE	~W .....	WATT
OPT.....	OPTIONAL	W/ .....	WITH
O.S. ....	OVER SIZE	W/O .....	WITHOUT

SECTION 1 CRANKCASE GROUP

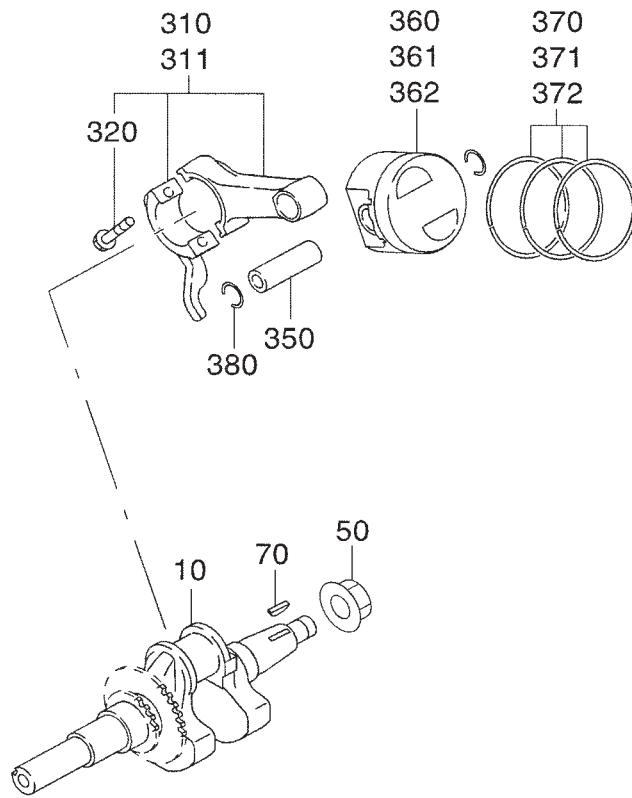
FIG. 100





SECTION 2 CRANKSHAFT, PISTON GROUP

FIG. 200

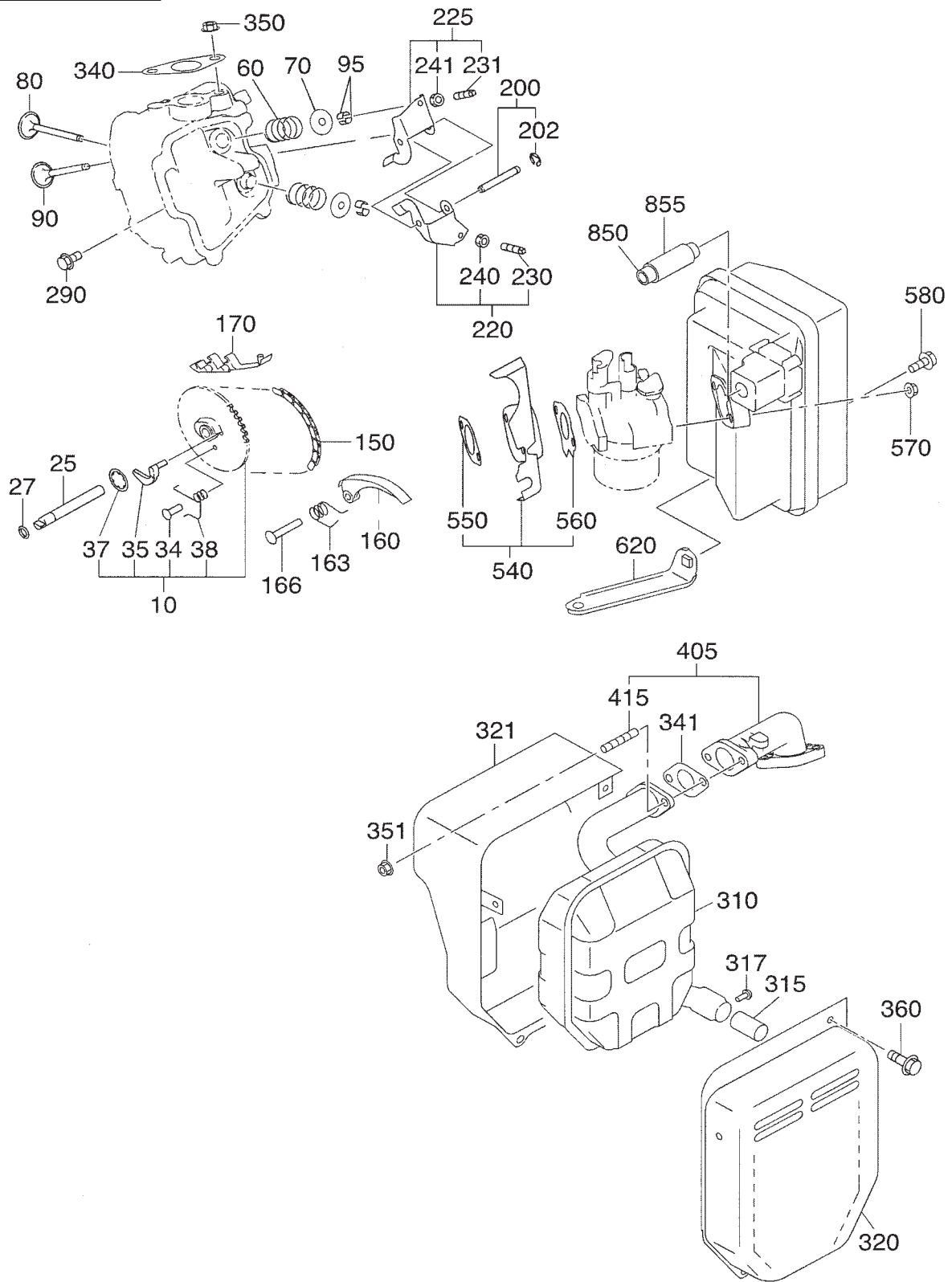






SECTION 3 INTAKE, EXHAUST GROUP

FIG. 300

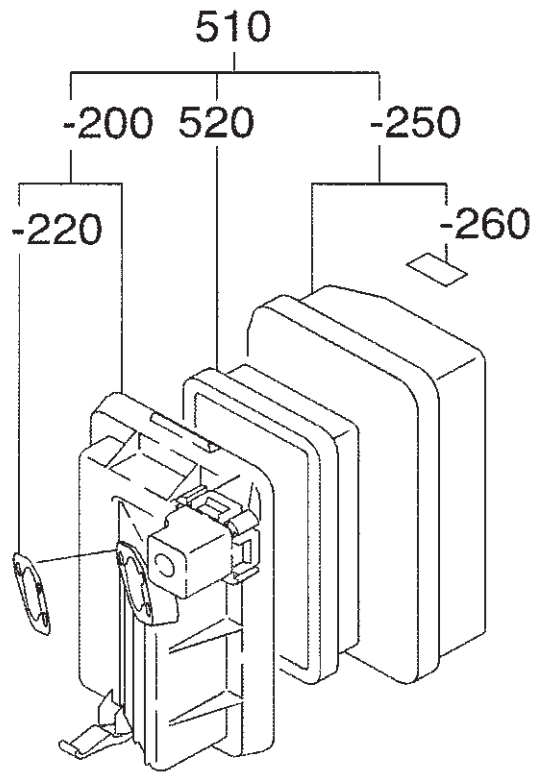


## SECTION 3      INTAKE, EXHAUST GROUP

REF	PART NO	DESCRIPTION	QTY	REMARKS	FROM - TO	FIG
10	278-31601-31	CAMSHAFT	1			300
25	277-35101-03	PIN, camshaft	1			300
27	024-00600-10	O RING	1			300
34	277-38601-03	PIN, spring	1			300
35	277-36401-03	RELEASE LEVER	1			300
37	277-36501-03	CLIP	1			300
38	279-38701-13	RETURN SPRING	1			300
60	279-33601-03	VALVE SPRING	2			300
70	269-33701-03	SPRING RETAINER	2			300
80	277-33401-H3	INTAKE VALVE	1			300
90	277-33501-H3	EXHAUST VALVE	1			300
95	132-10KA0-31	COLLET VALVE	4			300
150	277-35601-11	TIMING CHAIN	1	88 Link		300
160	277-36911-03	TENTIONER	1			300
163	277-37101-03	SPRING, tentioner	1			300
166	277-36902-03	PIN, tentioner	1			300
170	277-36913-13	CHAIN GUIDE	1			300
200	277-35002-01	PIN, rocker	1			300
202	003-13050-00	CLIP	1			300
220	277-36201-00	ROCKER ARM, intake	1			300
225	277-36202-00	ROCKER ARM, exhaust	1			300
230	014-90500-20	ADJUST SCREW	1			300
231	014-90500-20	ADJUST SCREW	1			300
240	017-00500-30	NUT	1			300
241	017-00500-30	NUT	1			300
290	011-00600-20	FLANGE BOLT	1			300
310	277-30202-01	MUFFLER	1			300
315	277-37603-01	SPARK ARRESTOR	1			300
317	015-00400-60	TAPPING SCREW	1			300
320	277-34501-01	MUFFLER COVER 1	1			300
321	277-34601-01	MUFFLER COVER 2	1			300
340	277-35201-13	GASKET, muffler	1			300
341	277-35201-01	GASKET, exhaust	1			300
350	980-20082-80	FLANGE NUT	2			300
351	980-20082-80	FLANGE NUT	2			300
360	011-00600-20	FLANGE BOLT	3			300
405	277-34001-01	EXHAUST PIPE	1			300
415	010-50802-90	STUD	2			300
540	277-32902-J1	INSULATOR	1			300
550	277-35903-J3	GASKET 2, insulator	1			300
560	277-35902-J3	GASKET 1, insulator	1			300
570	002-38060-00	FLANGE NUT	2			300
580	011-00600-50	FLANGE BOLT	1			300
620	277-39001-01	BRACKET,a/c	1			300
850	277-32762-08	BREATHER PIPE	1			300
855	277-69001-03	SPONGE PROTECTOR	1			300

SECTION 3 INTAKE, EXHAUST GROUP

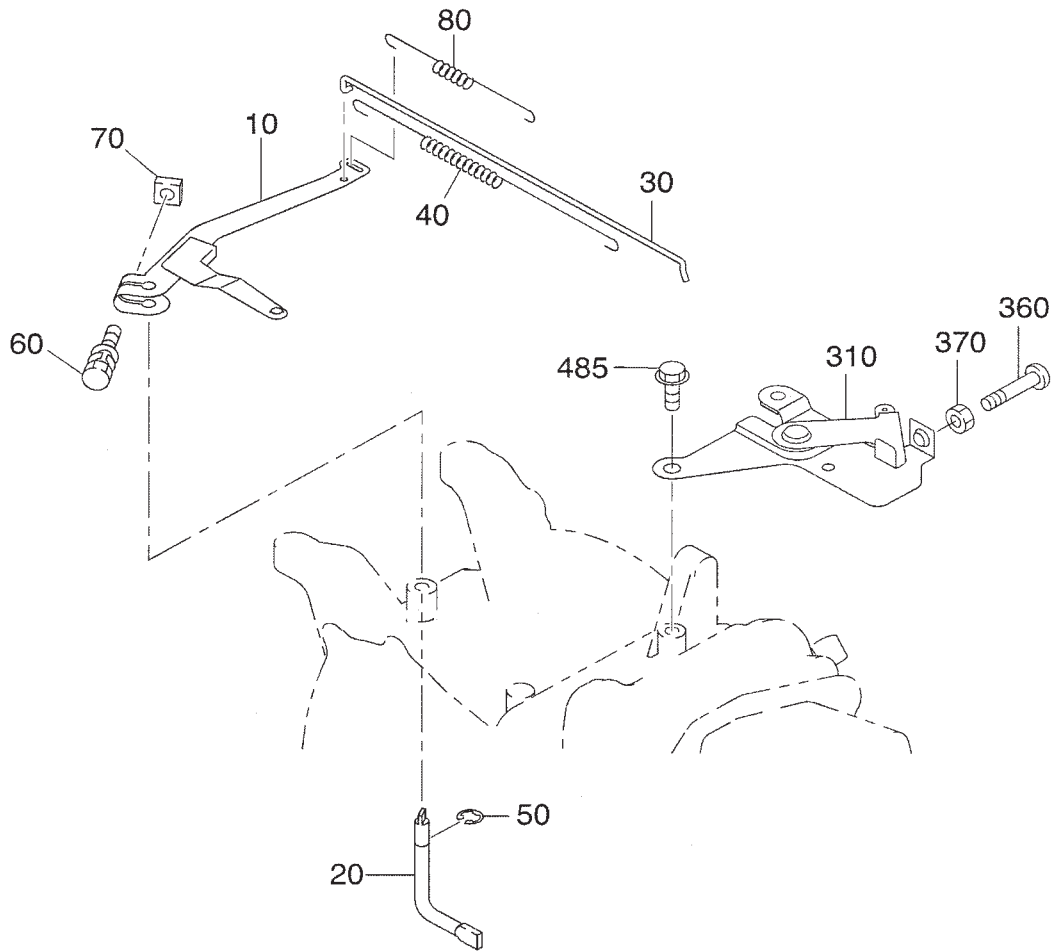
FIG. 310





SECTION 4 GOVERNOR, OPERATION GROUP

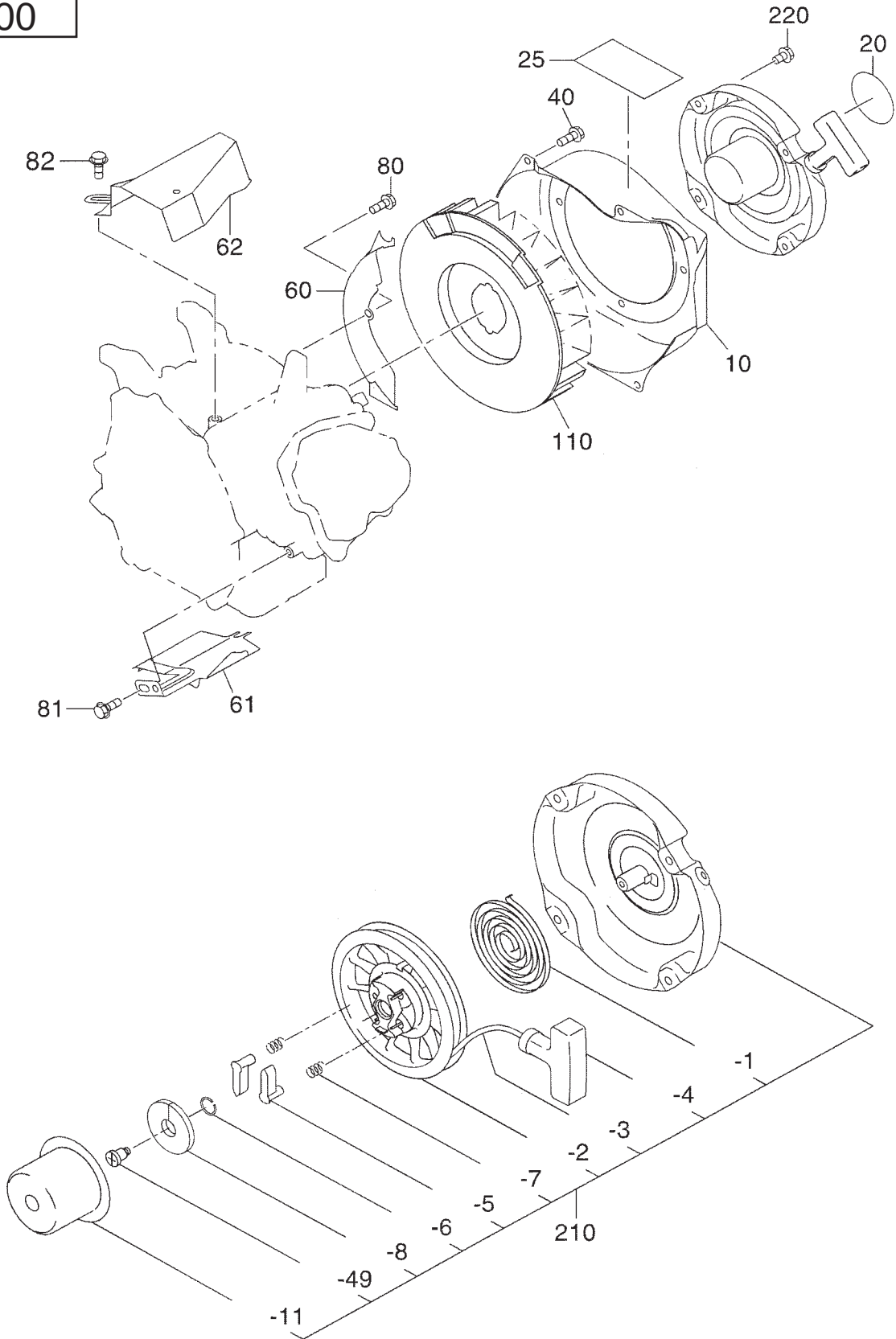
FIG. 400





SECTION 5 COOLING, STARTING GROUP

FIG. 500

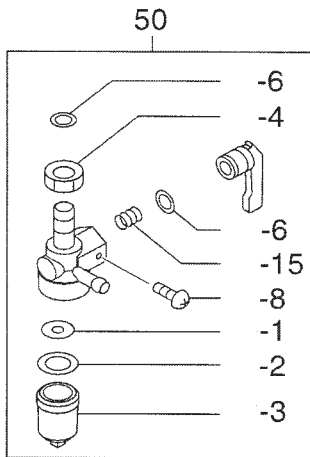
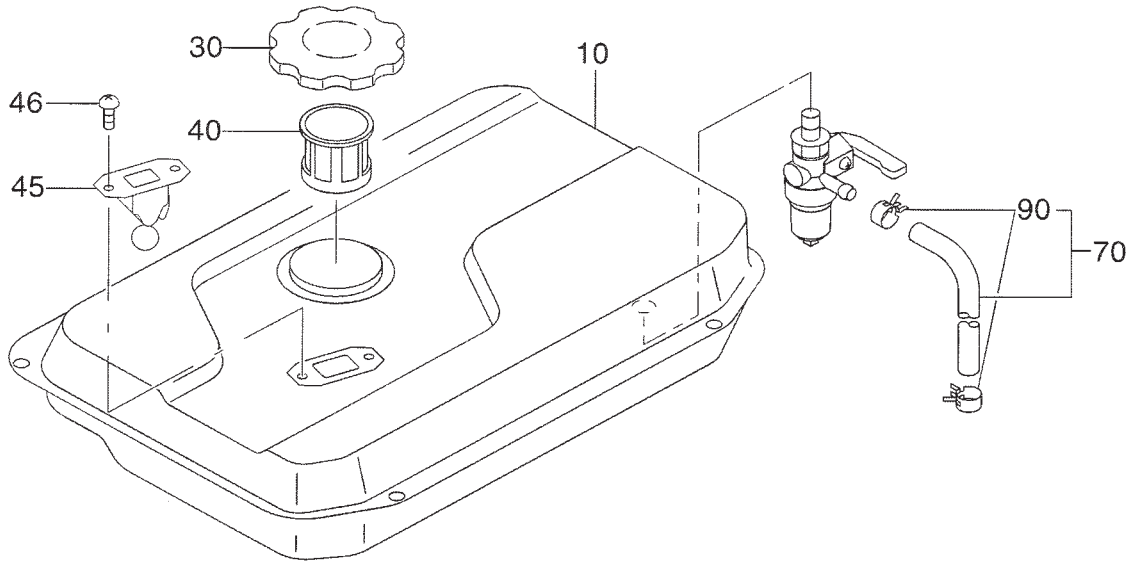






SECTION 6 FUEL, LUBRICANT GROUP

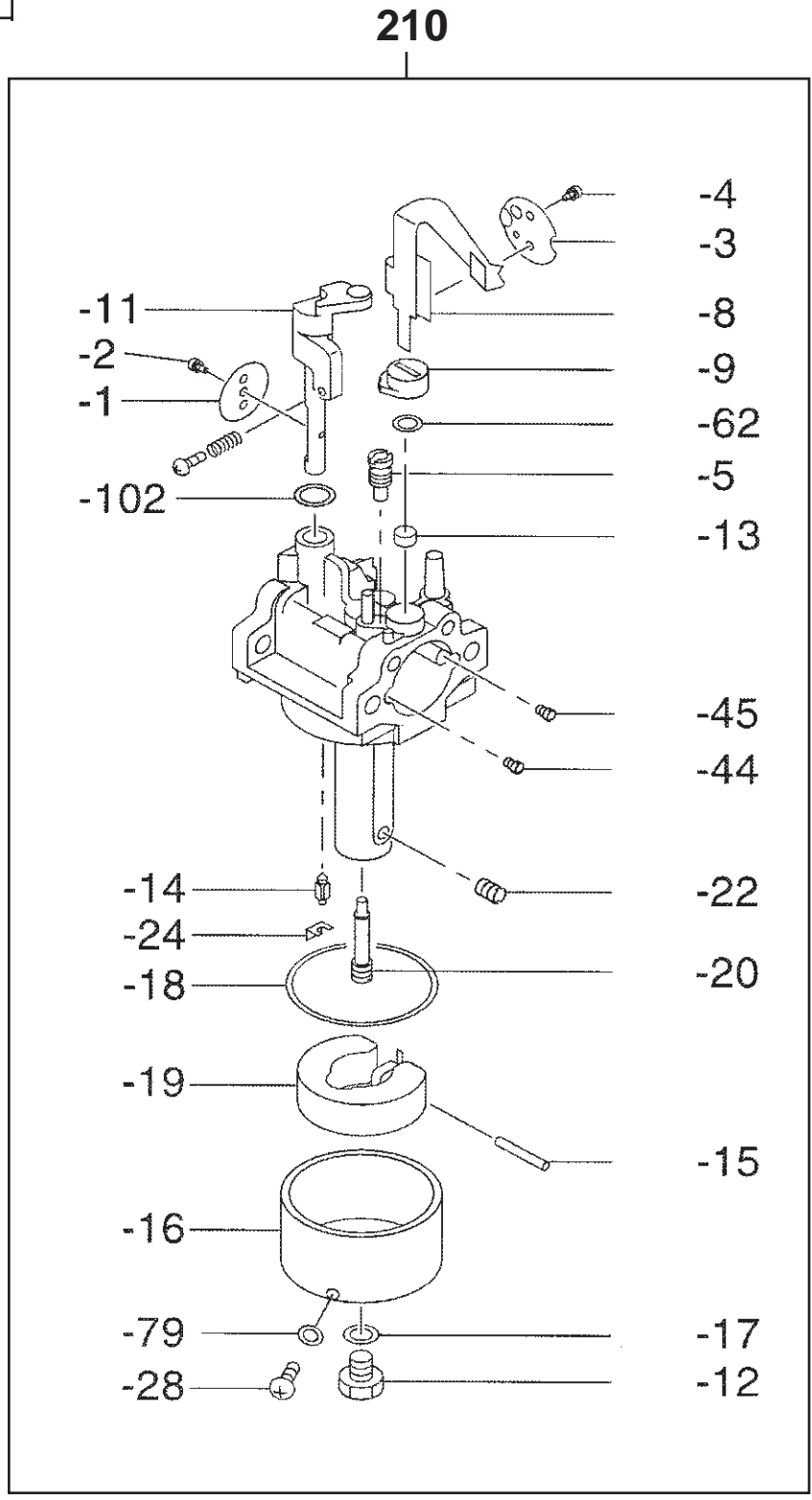
FIG. 600





SECTION 6 FUEL, LUBRICATION GROUP

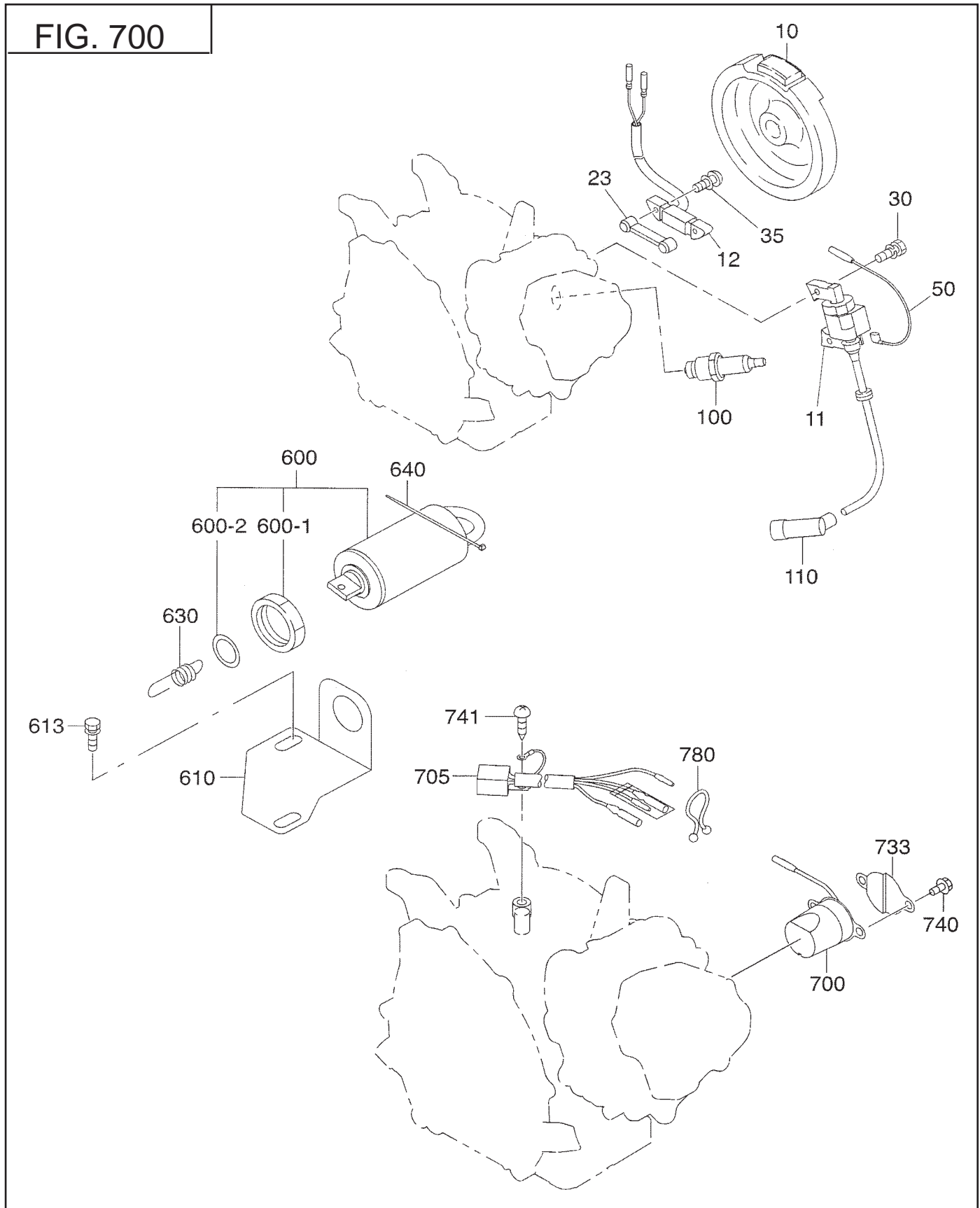
FIG. 610





SECTION 7 ELECTRIC DEVICE GROUP

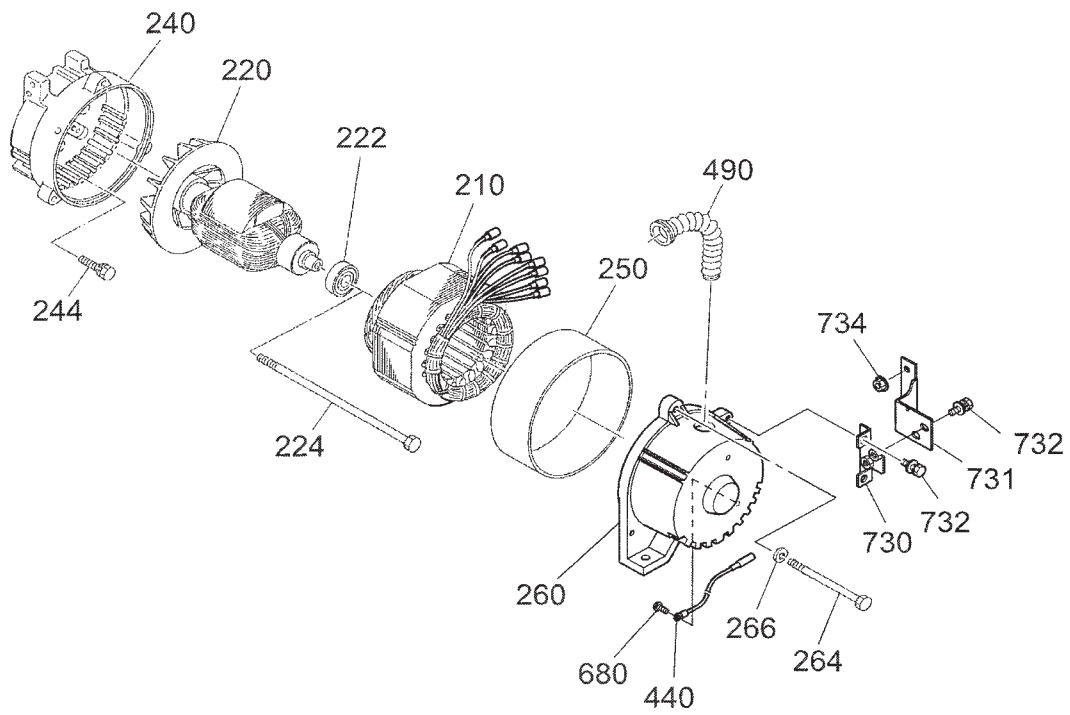
FIG. 700





SECTION 8 GENERATOR GROUP

FIG. 2200

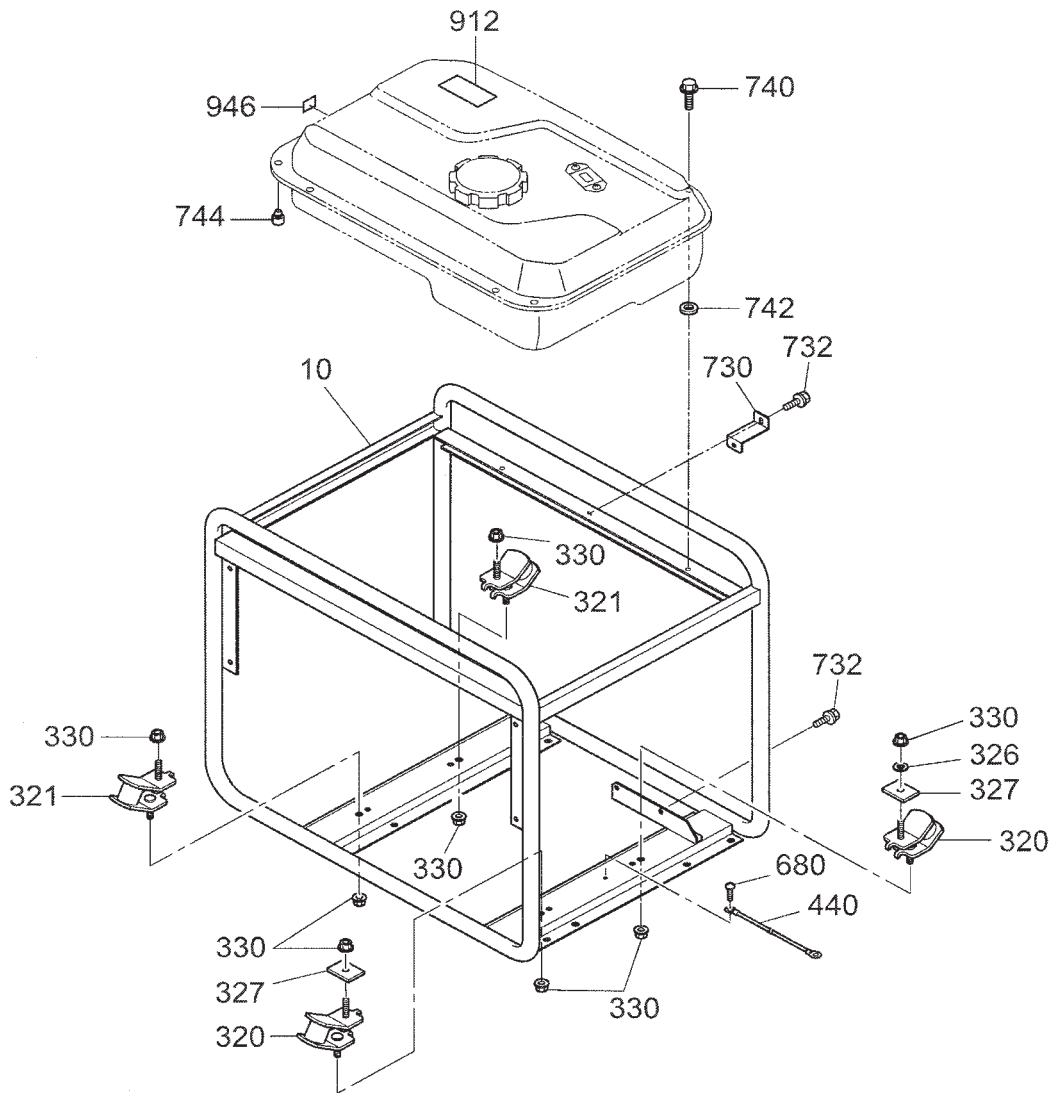






SECTION 9 BASE, FRAME GROUP

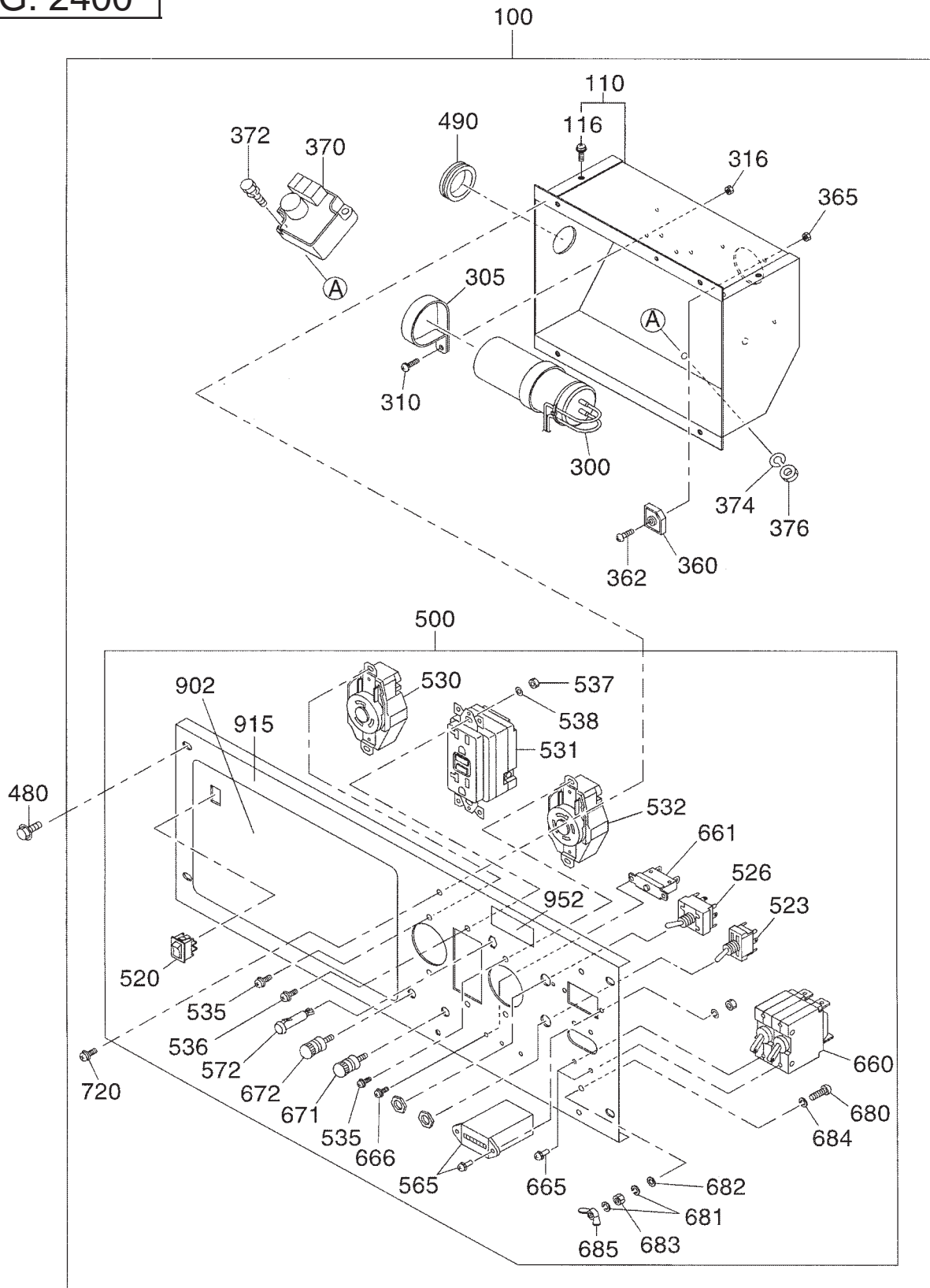
FIG. 2300





SECTION 9 CONTROL GROUP

FIG. 2400

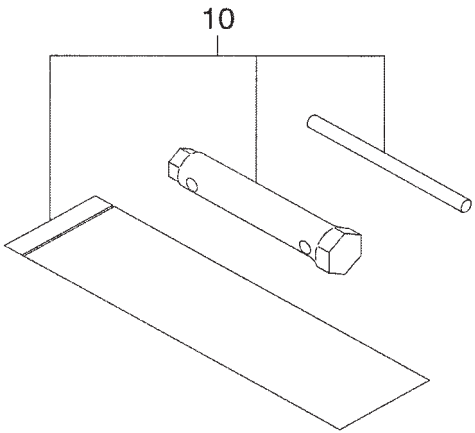


## SECTION 9 CONTROL GROUP

REF	PART NO	DESCRIPTION	QTY	REMARKS	FROM - TO	FIG
100	35B-70107-00	CONTROL BOX AY	1			2400
110	35B-71102-02	CONTROL BOX UN	1			2400
116	359-59929-08	SCREW and WASHER	4			2400
300	35B-72001-03	CONDENSER	1			2400
305	30G-47605-08	CONDENSER HOLDER	1			2400
310	390-49972-08	SCREW	1			2400
316	002-17040-00	NUT	1			2400
360	353-45804-08	DIODE STACK	1			2400
362	004-36042-00	SCREW and WASHER	1			2400
365	002-17040-00	NUT	1			2400
370	KU3-11015-01	IDLE C/U CP	1			2400
372	004-35062-00	SCREW and WASHER	2			2400
374	003-20060-00	SPRING WASHER	2			2400
376	002-17060-00	NUT	2			2400
480	011-00600-80	FLANGE BOLT	4			2400
490	389-89001-03	GROMMET	1			2400
500	35B-70207-00	PANEL A AY	1			2400
520	35A-72002-03	ROCKER SWITCH	1			2400
523	344-45615-08	AUTO IDLE SWITCH	1			2400
526	355-45613-11	SWITCH AY	1			2400
530	35B-72002-03	AC CONCENT	1	AC250V 15A		2400
531	388-85003-01	AC RECEPTACLE	1	125V-20A		2400
532	35B-72003-03	AC RECEPTACLE	1	250V/30A		2400
535	31C-79001-03	SCREW and WASHER	2			2400
536	351-49920-08	SCREW and WASHER	2			2400
537	002-17040-00	NUT	2			2400
538	003-10040-00	WASHER	2			2400
565	393-40651-08	HOUR METER	1			2400
572	30G-45308-08	LAMP	1			2400
660	353-45643-08	CIRCUIT BREAKER	1			2400
661	352-45620-08	CIRCUIT BREAKER	1			2400
665	31B-79011-03	SCREW and WASHER	2			2400
666	351-49921-08	SCREW and WASHER	2			2400
671	363-45701-08	TERMINAL BOLT	1			2400
672	363-45700-08	TERMINAL BOLT	1			2400
680	356-49956-08	SCREW	1			2400
681	332-00050-08	SPRING WASHER	2			2400
682	353-49903-08	WASHER	1			2400
683	353-49902-08	NUT	1			2400
684	372-59950-08	LOCK WASHER	1			2400
685	353-49901-08	WING NUT	1			2400
720	31B-79012-03	BOLT and WASHER	4			2400
902	35B-71209-02	LABEL, brand	1			2400
915	35B-71208-02	LABEL, panel	1			2400
952	391-93014-03	LABEL, ground	1			2400

SECTION 12 ACCESSORIES GROUP

FIG. 2900





PRINTED IN THE USA