

## FEATURES

- Four design options: framed, overlay, flush inset and stainless steel.
- Electronic microprocessor constantly monitors entire unit to ensure proper food storage environment.
- Air purification system reduces odors, bacteria, viruses and ethylene gas.
- Illuminated touch control panel.
- Bright interior lighting throughout, including storage drawer area.
- Adjustable spill-proof glass shelves, door shelves and dairy compartment.
- Crisper and deli drawers form a lower-temperature zone ideal for produce and meats.
- Soft-close glide system on refrigerator storage drawers.
- Easy-access flip-up grille.
- Informational freshness cards.



## MODEL OPTIONS

### OVERLAY

Framed, overlay, flush inset      BI-36R/O

### STAINLESS STEEL

Tubular handle      BI-36R/S/TH  
Pro handle      BI-36R/S/PH

## INTERIOR FEATURES

### REFRIGERATOR

- 4 Adjustable glass shelves
- 1 Stationary glass shelf
- 1 High-humidity drawer with dividers
- 2 Storage drawers with dividers
- 3 Adjustable door shelves
- 2 Stationary door shelves
- Adjustable dairy compartment



## ACCESSORIES

- Grilles for 83" or 88" finished height (84" is standard).
- Framed front panel in white or stainless steel.
- Flush inset and dual flush inset panels in stainless steel with tubular or pro handle.
- Custom front panel mounting kit.
- Side panel in white or stainless steel.
- Stainless steel tubular and pro handles.
- Full-length standard and extended framed handles.
- Stainless steel kickplate.
- Dual installation kit with or without dual wide grille—84" finished height.
- Retrofit kit for 600 series panels.
- Dozen egg container.
- Replacement air purification cartridge.

Accessories available through an authorized Sub-Zero dealer. For local dealer information, visit the find a showroom section of our website, subzero.com.

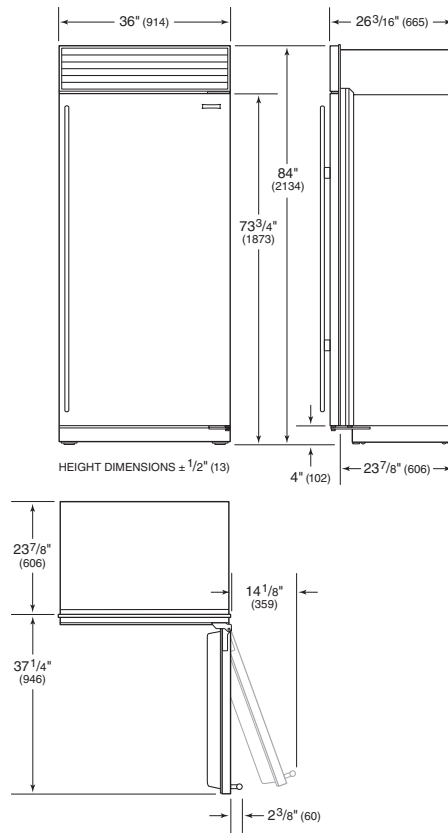


SPECIFICATIONS	
<b>PRODUCT</b>	
Dimensions	36"W x 84"H x 24"D
Weight	420 lb
<b>CAPACITY</b>	
Refrigerator	23.5 cu ft
<b>ELECTRICAL</b>	
Supply	115 VAC, 60 Hz
Service	15 amp circuit

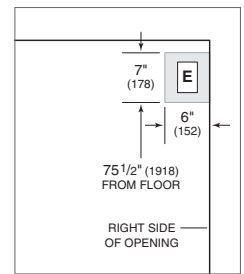
Specifications are subject to change without notice. Visit [subzero.com/specs](http://subzero.com/specs) for the most up-to-date information.

Dimensions may vary  $\pm 1/8"$  (3). Dimensions in parentheses are millimeters unless otherwise specified.

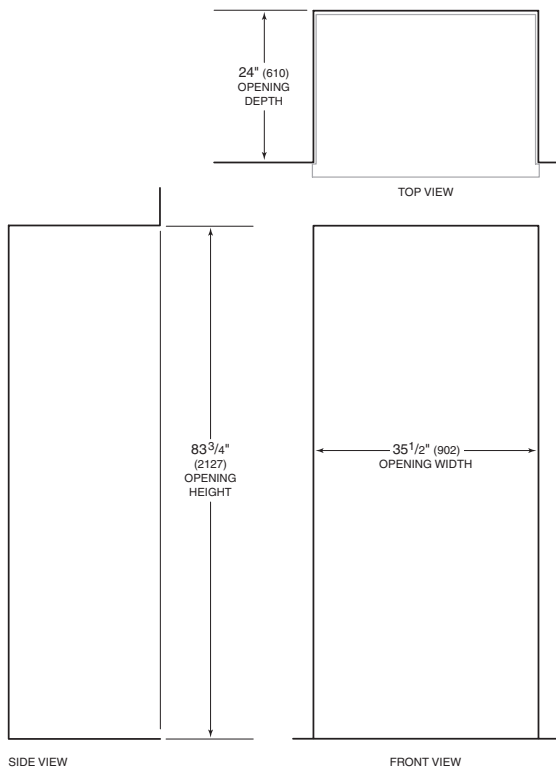
## DIMENSIONS



## ELECTRICAL

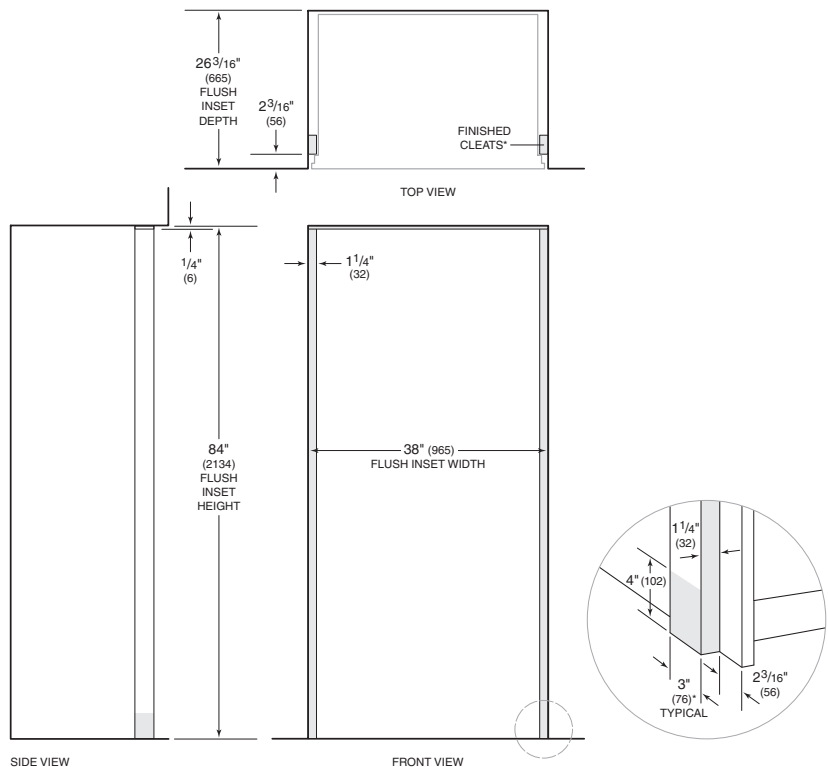


## STANDARD INSTALLATION



NOTE: Shaded line represents profile of unit.

## FLUSH INSET INSTALLATION



\*3" (76) typical depth. Shaded areas will be visible and should be finished to match cabinetry.  
NOTE: Shaded line represents profile of unit with 3/4" (19) panel.