

## SPECIAL FEATURES:

• **Sound Lights** will illuminate on the Parent's Unit's Tower and Portable Unit's Window depending on the level of your baby's sounds. The light will glow and change from green to amber to red with increasing voice volume. This feature is particularly helpful if you are in a noisy room.

• **Parent's Portable Unit** has a folding belt clip and a battery compartment (9V battery not included) for true portability and convenience. An amber LED within the Sound Light Window indicates low battery power.

• **Parent's Unit** has a battery compartment (9V battery included for convenience).



## PROBLEM SOLVING:

Problem	Solution
No Lights in Towers or Window	<ul style="list-style-type: none"> <li>• Make sure all electrical connections are secure.</li> <li>• Make sure all Units are "ON."</li> </ul>
No sound coming from speakers	<ul style="list-style-type: none"> <li>• Set volume to a higher setting.</li> </ul>
Static	<ul style="list-style-type: none"> <li>• Make sure all Units are on the same channel (try using the other channel if necessary).</li> <li>• Move the Parent's Unit and Portable Unit closer to the Baby's Unit.</li> <li>• Move Parent's Unit away from other monitors, cordless phones, walkie-talkies, etc.</li> </ul>
Squealing noise	<ul style="list-style-type: none"> <li>• Parent's Unit and Baby's Unit too close together – move further apart.</li> <li>• Turn down the volume on either or both Units.</li> </ul>
Weak reception or no reception	<ul style="list-style-type: none"> <li>• Make sure both Units are turned on.</li> <li>• Make sure both Units are on the same channel (try using the other channel if necessary).</li> <li>• Ensure all Units are upright.</li> <li>• Move Parent's Unit closer to the Baby's Unit.</li> <li>• Use fresh batteries in Portable Units.</li> </ul>

If you experience a problem that is not noted in this manual, please do not return the product to the store. Our Customer Relations Department may have a simple solution to your problem. Please contact us at 1-800-268-6237 or e-mail us at customerservice@summerinfant.com.

### FCC Information

This device complies with part 15 of the FCC Rules. Operation is subject to the following two conditions: (1) This device may not cause harmful interference, and (2) this device must accept any interference received, including interference that may cause undesired operation. CAUTION: Changes or modifications not expressly approved by Summer Infant, Inc. could void the user's authority to operate the equipment. NOTE: This equipment has been tested and found to comply with the limits for a Class B digital device, pursuant to part 15 of the FCC Rules. These limits are designed to provide reasonable protection against harmful interference in a residential installation. This equipment generates, uses and can radiate radio frequency energy and, if not installed and used in accordance with the instructions, may cause harmful interference to radio communications. However, there is no guarantee that interference will not occur in a particular installation. If this equipment does cause harmful interference to radio or television reception, which can be determined by turning the equipment off and on, the user is encouraged to try to correct the interference by one or more of the following measures:

- Reorient or relocate the receiving antenna.
- Increase the separation between the equipment and the receiver.
- Connect the equipment into an outlet on a circuit different from that to which the receiver is connected.
- Consult the dealer or an experienced radio/TV technician for help.

We at summer Infant stand behind all of our products. If you are not completely satisfied or have any questions, please contact our Customer Service Department at 1-800-268-6237 or e-mail us at customerservice@summerinfant.com.

**Summer Infant, Inc.**  
© 2003 Summer Infant, Inc.,  
6 Blackstone Valley Place Suite 206,  
Lincoln, RI 02865 USA  
www.summerinfant.com  
**MADE IN CHINA.**

**Summer Infant Europe, LTD.**  
Summer Infant Europe, LTD., 20  
Sparrows Herne, Bushey,  
Hertfordshire WD23 1FX UK  
44 (0)20 8420 4429  
Colors and styles may vary. 8/03 Rev A



02070

Please read the following instructions and warnings carefully. Keep this instruction manual for future reference.

Tools required (not included): Phillips head and small flathead screwdriver.

**For Technical Support Call 1-800-268-6237 or E-Mail at customerservice@summerinfant.com**

### ⚠ WARNING:

This product contains small parts. Adult assembly required. Exercise care when unpacking and assembling product.

## INSTRUCTION MANUAL

### BABY'S QUIET SOUNDS™ CLEARVIEW TOWER MONITOR



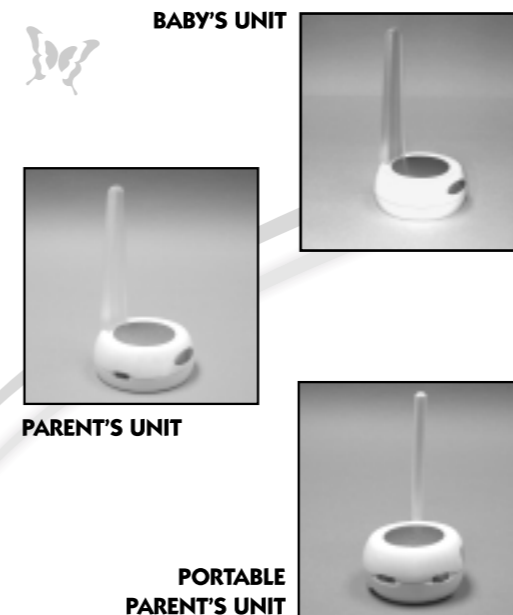
Thank you for buying the 49 MHz Baby's Quiet Sounds™ Clearview Tower Monitor from Summer Infant. This unique product provides you with one of the most comprehensive systems for monitoring your baby. The Baby's Quiet Sounds™ Clearview Tower Monitor allows you to hear your baby, just like other nursery monitors. What makes this system unique is that it also visually alerts you to baby's sounds – by utilizing antennas that change color as baby's sounds increase in volume.

Babies almost constantly produce sounds the entire time they rest or play. These sounds are healthy and normal. This product monitors those sounds – even the small ones. If baby's sounds escalate to crying, the Towers and the Window on the Portable Unit will progress from green to amber to red, alerting you to the need for immediate attention.

## QUICK SET UP:

Read the complete instruction manual for more detailed instructions and explanations.

- Place Baby's Unit in nursery and place near the crib (do not place in crib or within child's reach). Plug in AC Adaptor. To turn the Unit on, turn the Channel selector to Channel A.
- Place Parent's Unit in another room. Plug in AC Adaptor. Set Channel Selector to Channel A. Set desired volume level.
- Test for sound pick up from nursery. Have an adult speak from softly to loudly. Towers and Window will change from green to amber to red with increasing voice volume. Set Parent's and Parent's Portable Units to desired volume levels. Set light intensity levels on Baby's and Parent's Units.
- The Parent's Portable Unit can be used in a third room by plugging in the AC Adaptor or after installing a 9V battery, can be clipped to an adult's belt and carried for maximum convenience.



**⚠ WARNING:** THIS PRODUCT CANNOT REPLACE RESPONSIBLE ADULT SUPERVISION.

- Prevent cord entanglement – do not place Baby's Unit in crib or within arm's reach of baby. Never use extension cords with AC adapters. Use only the AC Adapters provided.
- When an AC Adapter is plugged into an electrical outlet, do not touch the exposed end.
- Test monitor before first use, periodically, and when changing location of the Baby's Unit or Parent's Units.
- Do not use monitor near water (such as bathtub, sink, etc).
- Keep monitor away from heat sources (such as stoves, radiators, etc) and make sure there is proper ventilation (not on sofas, cushions, beds, etc which may block ventilation).
- Nursery monitors use public airwaves to transmit and receive signals. This monitor may pick up signals from other monitors or similar devices and signals broadcast by this monitor may be picked up by other receivers.
- This product is not a toy. Do not allow children to play with it.
- This product contains small parts. Adult assembly required. Exercise care when unpacking and assembling product.

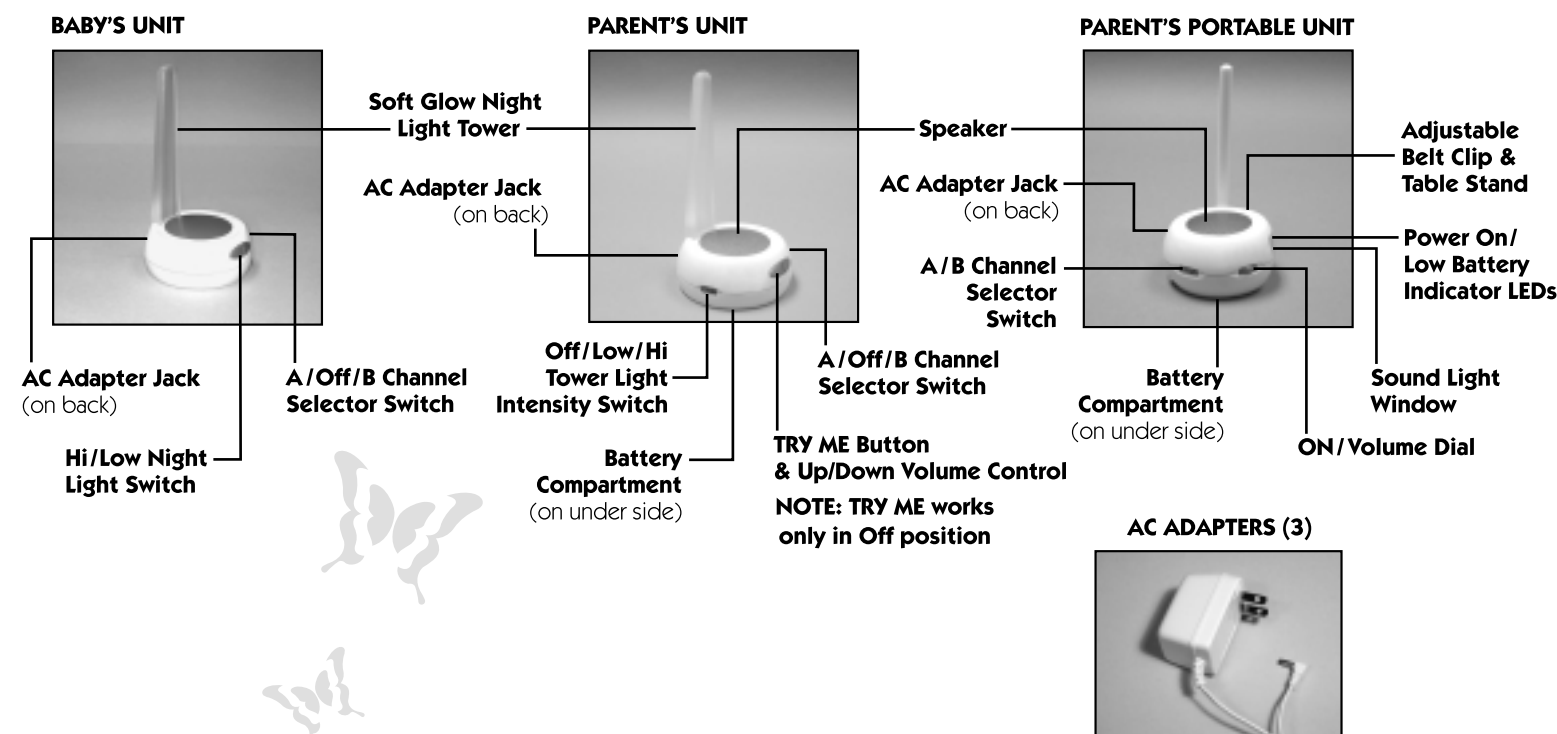
**⚠ BATTERY WARNING:**

- Remove batteries when product is stored for long periods of time or when batteries are exhausted.
- Dispose of exhausted batteries properly.

**⚠ CAUTION:**

KEEP SMALL PARTS OUT OF CHILD'S REACH.

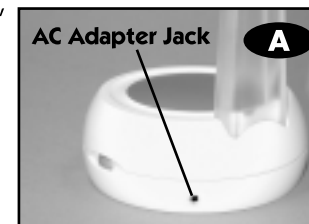
**FEATURES & COMPONENTS:**



**SET UP & USE:**

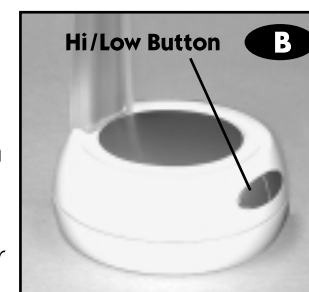
**Baby's Unit**

**1** Place the Baby's Unit in the nursery near the crib on a flat surface, such as a dresser, bureau or shelf (not in the crib or within child's reach). Insert AC Adapter into the AC Adapter Jack on the back of the Baby's Unit, as shown in Figure A. Plug the AC Adapter into a standard electrical outlet.



**Note:** Be Sure to keep all cords out of baby's reach.

**2** To turn the Baby's Unit on, position the Channel Selector (A/OFF/B) to channel A.



**3** Use the Hi/Low Buttons on the front of the Unit to increase or decrease the intensity of the Soft Glow Night Light Tower. The Tower will always glow with a soft light.

**Parent's Unit**

**1** Place the Parent's Unit in the room from which you want to monitor your baby (ie. bedroom or living room). Plug an AC Adapter into the AC Adapter Jack on the Parent's Unit and the other end into a standard electrical outlet.

**2** Position the Channel Selector (A/OFF/B) to channel A. The Sound Light Tower will glow and change from green to amber to red, indicating that the Unit is on. Set the OFF/LOW/HI switch to LOW or HI to your preference of light intensity for the Sound Light Tower. We suggest using Hi for daylight and Low for night time.

**3** Set Volume to desired level using Up/Down buttons.

**Parent's Portable Unit**

**1** Place the Portable Unit in another room, away from the Parent's Unit (i.e. garage or family room). Plug an AC Adapter into the AC Adapter Jack on the Portable Unit and the other end into a standard electrical outlet.

**2** Position the Channel Selector (A/B) to channel A. Turn the Unit on with the On/Volume Dial. The Sound Light Window will glow and change from green to amber to red with increasing voice volume.

**3** Set Volume to desired level using Up/Down buttons.

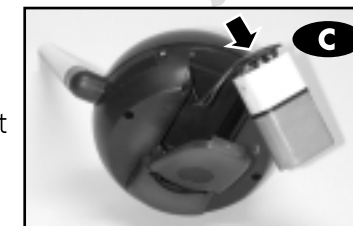
**Testing the Product**

You should be able to clearly hear all levels of sound coming from the Baby's Unit through the Speaker on each Unit. Test both channels for best performance, but ensure that all Units are on the same channel. If the The Sound Light Tower or the Sound Light Window doesn't change color or no sound comes from the Speaker of the Parent's Unit or Portable Unit when you perform these tests, check to make sure all cords are fully plugged in and connected and batteries are fresh. Make sure all Units are turned on.

**To Use the Parent's Portable Unit in Portable Mode**

**Installing the battery:**

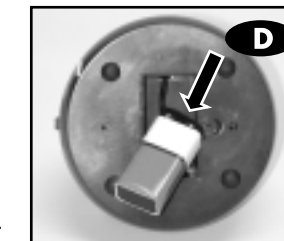
For use in portable mode the Parent's Portable Unit requires one 9V battery. Slide and pivot the belt clip to access the battery compartment door. Remove the battery compartment door and insert the battery as shown in Figure C. Be sure to orient the + and - properly.



**Replacing the Back-up Battery in the Parent's Unit**

**Installing the battery:**

Remove the battery compartment door and insert 9V battery as shown in Figure D. Be sure to orient the + and - properly. The battery will provide power to the Parent's Unit for convenience.



**Tips:**

- Use only a 9V alkaline battery.
- Change battery on a regular basis.
- To conserve battery power, use AC Adapter whenever possible. Remove battery during long periods of non-use.
- If a battery is exhausted, remove it immediately from the Parent's Unit and replace with a fresh battery.
- Properly dispose of exhausted batteries.

**Belt Clip:**

For convenience and portability, you can clip the Parent's Portable Unit to your belt or waistband after a battery has been installed. An amber LED in the Sound Light Window will indicate low battery power. The belt clip can also be used as a table stand.

