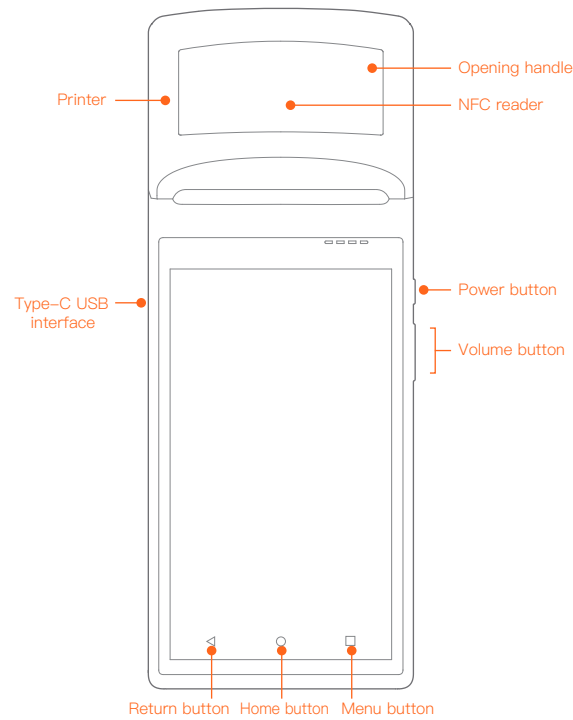


Product introduction



Power button

Short press: wake up the screen, lock the screen.
 Long press: long press for 2-3 seconds in power off mode to switch on the device.
 Long press for 2-3 seconds in normal operation mode to select power off or reboot.
 Long press for 11 seconds when system is frozen for automatic reboot.

Volume button

Volume adjustment (with app support, the button can be set as quick code scan button).

Printer

For printing sales slips in power on mode.

Return button

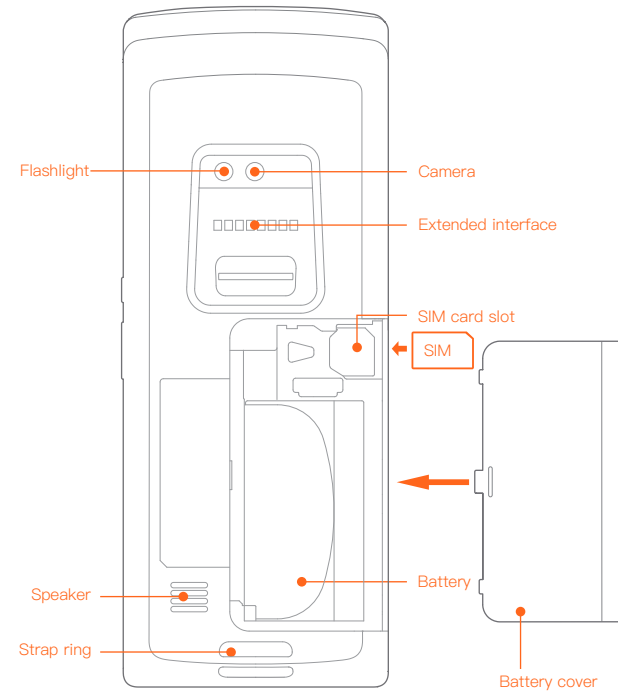
Tap to return to the previous screen.

Home button

Tap to quickly view the background programs;
 Select the app and slide laterally to close.

Type-C interface

For device recharging and developer debugging.



Camera

For QR scan and taking pic.

Flashlight

For lighting in camera mode.

SIM card slot

Note: To prevent system errors, please make sure the device is turned off when you insert or remove the SIM card.

- Move SIM card cover horizontally to open;
- Insert/remove SIM card in the direction as shown;
- Fasten the battery cover horizontally.

Battery

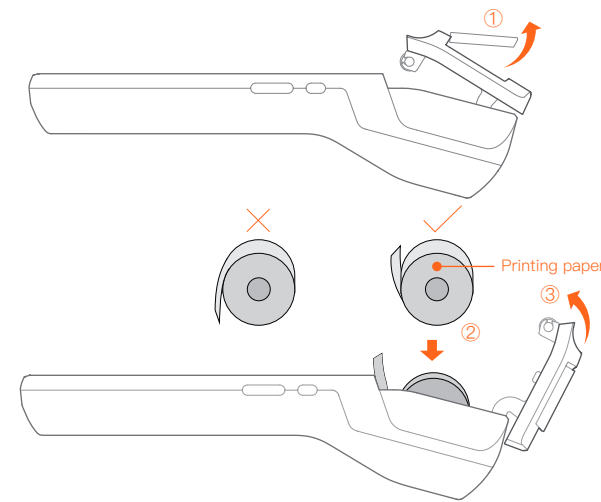
Avoid contact with water, metal objects and other electrically charged equipment while in use.

Strap ring

For fixing handheld strap to prevent slippage.
 (This accessory shall be purchased separately)

Extended interface

For connecting the pedestal.
 (This accessory shall be purchased separately)



Printing instructions

This device supports 58mm thermal paper with the specifications of 57±0.5mm*Q40mm

- Please open the paper container with the uncovering handle (as shown in Fig.1). Please do not force open the paper container to avoid print head gear wear;
- Feed the paper correctly into the paper container in the direction as shown, and pull some paper outside the cutter (as shown in Fig.2);
- Close the cover of the paper container to finish printing paper feeding (as shown in Fig.3).

Note: If the printed paper is blank, please check whether the paper roll has been installed in the correct direction.

Simplified settings

A few steps for starting the smart business device

①2G/3G settings: insert the corresponding 2G (GSM)/3G (GSM) card in power off mode and reboot your device. (For more details about supported cards, please read the technical specifications)

②Press the power button for 2-3 seconds to wake up the screen, enter the initial boot interface, and follow the prompts. This device offers two network patterns.

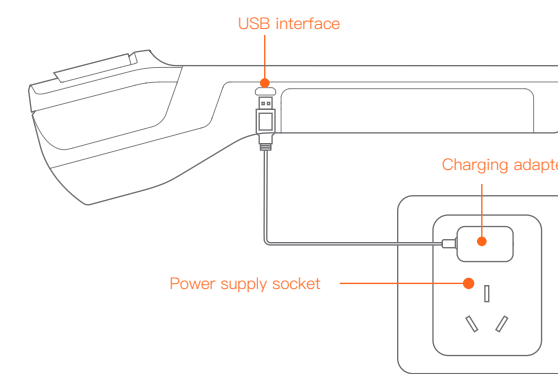
③WIFI settings

· Tap [Settings] button and turn on WLAN to enter WLAN search interface, and wait until it finds and lists the available WLAN hotspots;

· Tap the WLAN that you want to connect — you need to enter the access code if you choose an encrypted network.

How to download/use apps

Open App Market to browse, download and install the apps in online mode.



Instructions for recharging and battery

This device supports charging only by USB cable

- Connect the 5V adapter to the power supply socket;
- Connect the USB cable to the USB interface of the device for recharging;
- The screen will display the recharging icon during the recharging process;
- If the recharging icon does not appear, please check whether the USB interface is well connected.

Instructions/Notes for battery

- This device adopts 3.6V/5200mAh lithium battery; please do not disassemble the battery.
- In order to protect the battery life, we recommend that you recharge the device whenever possible, and please do not allow the battery to fully drain before recharging.

Trouble shooting

Printer not working

- Make sure the cover of the paper container is properly closed;
- Make sure the right printing paper is used and properly fed;
- Check whether 58mm*40mm thermal paper roll is fed into the paper container;
- Note: If the printed paper is blank, please check whether the paper roll has been installed in the correct direction.

The device cannot be switched on (e.g. exhausted battery)

- Connect the device properly with a USB cable to recharge for three minutes;
- Check whether the screen is displaying recharging status.

What to do if the system freezes

Press the power button for 11 seconds to reboot.

Please read “Help App” in the device for more information on user’s guidance

Name and Content of Toxic or Harmful Substances in this Product

Toxic or Harmful Substances or Elements	Part Name
	Components of circuit board
Lead (Pb)	×
Mercury (Hg)	○
Cadmium (Cd)	○
Hexavalent chromium (Cr(VI))	○
Polybrominated biphenyls (PBB)	○
Polybrominated diphenyl ethers (PBDE)	○

○: Means that the content of the toxic or harmful substance in all homogeneous materials of this part is below the limit stipulated in SJ/T11363-2006.
 ×: Means that the content of the toxic or harmful substance in at least one of the homogeneous materials of this part is beyond the limit stipulated in SJ/T11363-2006; but as for the component marked with “x” on the table, the content is beyond the limit since there is no alternative mature technology in the industry yet.

The products reaching or exceeding the environmental service life shall be recycled per “Regulations on the Control and Management of Electronic Information Products” and shall not be littered.

Product Technical Data

Item	Technical Specifications
Operating System	Android 6.0
CPU	MTK MT6580
CPU basic frequency	1.3GHZ quad-core
RAM	1GB LPDDR3
FLASH	8GB Nand Flash
Display	5.5-in IPS, 1280*720 resolution
Touch screen	Capacitive multi-touch screen
Camera	5.0M AF
Speaker	90dB
Microphone	MIC
Wireless Data	GSM (850/900/1800/1900) WCDMA (850/900/1900/2100)
Wi-Fi	Built-in Wi-Fi 802.11b/g/n (2.4G)
Bluetooth	Supports Bluetooth 3.0/4.0, supports iBeacon
NFC	Only M1 cards are supported
Buttons	Power button, scan button
Interfaces	Type-C interface and SIM card
Printing method	Line thermal printing
Printing paper specifications	Width 58mm, maximum diameter 40mm
Battery	3.6V/5200mAh
Dimensions	211mm(L)*83mm(W)*54mm(H)
Adapter	OUTPUT: DC 5V/2A INPUT: AC 100-240V/0.3A 50/60Hz

Packing list:

- V1S*1
- User manual*1
- Power adaptor*1
- USB cable*1

Precautions

Safety Warning

- Connect the AC plug to the AC socket corresponding to the marked input of the power adapter;
- Do not use in the presence of any potentially explosive gas;
- To avoid injury, unauthorized persons shall not open the power adapter;
- This is a Class A product. This product may cause radio interference in living environments. In that case, the user may be required to take adequate measures against interference.
- Battery replacement:

1.Expllosion danger may arise if replacing with the wrong battery!

2.The replaced battery shall be disposed of by maintenance personnel, and please do not throw it into fire!

Significant Safety Instructions

- This terminal is a handheld device, and the user shall protect the password from being peered at by others while entering the password;
- Do not install or use the device during lightning storms to avoid the potential risks of lightning shock;
- Please turn off the power immediately if you notice abnormal odor, heat or smoke;
- The paper cutter is sharp, please do not touch!

Suggestions

- Do not use the terminal near water or moisture to prevent liquid from falling into the terminal;
- Do not use the terminal in extremely cold or hot environments, such as near flames or lit cigarettes;
- Do not drop, throw or bend the device;
- Use the terminal in a clean and dust-free environment if possible to prevent small items from falling into the terminal;
- Please do not use the terminal near medical equipment without permission.

Statements

The Company does not assume responsibilities for the following actions:

- Damages caused by use and maintenance without complying with the conditions specified in this guide;
- The Company will not assume any responsibilities for the damages or problems caused by optional items or consumables (rather than the initial products or approved products of the Company). The customer is not entitled to change or modify the product without our consent.
- The product's operating system supports official system updates, but if you change the operating system into a third party ROM system or alter the system files by system cracking, it may cause system instability and security risks and threats.

Disclaimer

As a result of product upgrading, some details in this document may not match the product, and the actual product shall govern. The Company reserves the right of interpretation of this document. The Company also reserves the right to alter this specification without prior notice.

CE certification information (SAR)

This device was tested for typical body-worn operations with the back of the handset kept 0cm away. To maintain compliance with RF exposure requirements, use accessories that maintain a 0cm separation distance between the user's body and the back of the handset. The use of belt clips, holsters and similar accessories should not contain metallic components in its assembly. The use of accessories that do not satisfy these requirements may not comply with RF exposure requirements, and should be avoided.

If you are using pacemaker, hearing aid, cochlear implant or other device, please use the phone according to the doctor's advice.

PRODUCT SAFETY WARNINGS

Use responsibly. Read all instructions and safety information before use to avoid injury. The maximum operating ambient temperature of the equipment declared by the manufacturer is 0-35°C.

Battery safety

Battery only at ambient temperatures ranging from 0°C to 35°C.

(1) CAUTION: Danger of explosion if battery is incorrectly replaced. Replace only with the same or equivalent type of battery recommended by the manufacturer. Dispose of used batteries according to battery manufacturer's instructions.

(2) CAUTION: RISK OF EXPLOSION IF BATTERY IS REPLACED BY AN INCORRECT TYPE. DISPOSE OF USED BATTERIES ACCORDING TO THE INSTRUCTIONS.

(3) CAUTION: Battery charging temperature upper limit is 35°C.

Adapter safety

When charging, please place the device in an environment that has a normal room temperature and good ventilation. It is recommended to charge the device in an environment with a temperature that ranges from 0°C-35°C.

For altitude 2km below use only

WARNING: For matched equipments and indoor use only.

Camflash safety

LED is only used as indicating light.

Wi-Fi Safety

Turn Wi-Fi off in areas where Wi-Fi use is prohibited or when it may cause interference or danger, such as in airplanes while flying.

Declaration of Conformity



Hereby, Shanghai Sunmi Technology Co., Ltd. declares that the smart POS system (Model No.: W5920) is in compliance with the essential requirements and other relevant provisions of RED 2014/53/EU.

Technical features and characteristics

The product includes the following features and characteristics:

GSM:

-Operation Frequency: GSM850:824-849MHz/GSM900:880-915MHz/DCS1800:1710-1785MHz/PCS1900:1850-1900MHz
-Transmitted Power: GSM850:32.9dBm/EGSM900:32.52dBm/DCS1800:28.90dBm/PCS1900:29.48dBm

WCDMA:

-Operation Frequency: WCDMA2100:1920-1980MHz/WCDMA1900:1800-1910MHz/WCDMA850:824-849MHz/MCDMA900:880-915MHz
-Transmitted Power: WCDMA2100:22.68dBm/WCDMA1900:21.41dBm/WCDMA850:23.29dBm/WCDMA900:22.67dBm

Wifi:

-Operation Frequency: 2412MHz-2462MHz
-Transmitted Power: CE:13.33dBm

BT/BLE:

-Operation Frequency: 2402-2480MHz
-Transmitted Power: CE BT:3.3dBm/CE BLE:-5.83dBm

GPS:

-Operation Frequency: 1575.42MHz

NFC:

13.56MHz -15.335MHz

FCC Statement

This device complies with part 15 of the FCC rules. Operation is subject to the following two conditions:

- (1) this device may not cause harmful interference, and
- (2) this device must accept any interference received, including interference that may cause undesired operation.

NOTE: The manufacturer is not responsible for any radio or TV interference caused by unauthorized modifications to this equipment. Such modifications could void the user's authority to operate the equipment.

NOTE: This equipment has been tested and found to comply with the limits for a Class B digital device, pursuant to part 15 of the FCC Rules. These limits are designed to provide reasonable protection against harmful interference in a residential installation. This equipment generates uses and can radiate radio frequency energy and, if not installed and used in accordance with the instructions, may cause harmful interference to radio communications. However, there is no guarantee that interference will not occur in a particular installation. If this equipment does cause harmful interference to radio or television reception, which can be determined by turning the equipment off and on, the user is encouraged to try to correct the interference by one or more of the following measures:

- Reorient or relocate the receiving antenna.
- Increase the separation between the equipment and receiver.
- Connect the equipment into an outlet on a circuit different from that to which the receiver is connected.
- Consult the dealer or an experienced radio/TV technician for help.

FCC Caution:

Any Changes or modifications not expressly approved by the party responsible for compliance could void the user's authority to operate the equipment.

The antenna(s) used for this transmitter must not be co-located or operating in conjunction with any other antenna or transmitter.

The country code selection is for non-US model only and is not available to all US model. Per FCC regulation, all WiFi product marketed in US must fixed to US operation channels only.

RF Exposure Information (SAR)

This device meets the government's requirements for exposure to radio waves.

This device is designed and manufactured not to exceed the emission limits for exposure to radio frequency (RF) energy set by the Federal Communications Commission of the U.S. Government.

The exposure standard for wireless device employs a unit of measurement known as the Specific Absorption Rate, or SAR. The SAR limit set by the FCC is 1.6W/kg. *Tests for SAR are conducted using standard operating positions accepted by the FCC with the device transmitting at its highest certified power level in all tested frequency bands. Although the SAR is determined at the highest certified power level, the actual SAR level of the device while operating can be well below the maximum value. This is because the device is designed to operate at multiple power levels so as to use only the power required to reach the network. In general, the closer you are to a wireless base station antenna, the lower the power output.

While there may be differences between the SAR levels of various devices and at various positions, they all meet the government requirement.

For body worn operation, this device has been tested and meets the FCC RF exposure guidelines for use with an accessory that contains no metal and be positioned a minimum of 0cm from the body. Use of other accessories may not ensure compliance with FCC RF exposure guidelines. If you do not use a body-worn accessory and are not holding the device at the ear, position the handset a minimum of 0cm from your body when the device is switched on.

PRODUCT SAFETY WARNINGS

Use responsibly. Read all instructions and safety information before use to avoid injury. The maximum operating ambient temperature of the equipment declared by the manufacturer is 35°C.

Battery safety

Charge battery only at ambient temperatures ranging from 0°C to 40°C. (1)CAUTION: Danger of explosion if battery is incorrectly replaced. Replace only with the same or equivalent type of battery recommended by the manufacturer. Dispose of used batteries according to battery manufacturer's instructions.

(2)CAUTION: RISK OF EXPLOSION IF BATTERY IS REPLACED BY AN INCORRECT TYPE. DISPOSE OF USED BATTERIES ACCORDING TO THE INSTRUCTIONS.

(3) CAUTION: Charging temperature upper limit is 35°C.

Charger safety

When charging, please place the device in an environment that has a normal room temperature and good ventilation. It is recommended to charge the device in an environment with a temperature that ranges from 0°C-35°C.

Camflash safety

LED is only used as indicating light.

Wi-Fi Safety

Turn Wi-Fi off in areas where Wi-Fi use is prohibited or when it may cause interference or danger, such as in airplanes while flying.

Notice for Canada

This device complies with Industry Canada's licence-exempt RSSs.

Operation is subject to the following two conditions:

- (1) This device may not cause interference; and
- (2) This device must accept any interference, including interference that may cause undesired operation of the device.

This equipment complies with IC radiation exposure limits set forth for an uncontrolled environment. End user must follow the specific operating instructions for satisfying RF exposure compliance. This transmitter must not be co-located or operating in conjunction with any other antenna or transmitter. These requirements set a SAR limit of 1.6 W/kg averaged over one gram of tissue.

The highest SAR value for this device on the body is 1.441W/Kg. This device was tested for typical body-worn operations. To comply with RF exposure requirements, a minimum separation distance of 0mm must be maintained between the user's body and the device, including the antenna. Third-party belt-clips, holsters, and similar accessories used by this device should not contain any metallic components. Body-worn accessories that do not meet these requirements may not comply with RF exposure requirements and should be avoided. Use only the supplied or an approved antenna.

Le présent appareil est conforme aux CNR d'Industrie Canada applicables aux appareils radio exempts de licence. L'exploitation est autorisée aux deux conditions suivantes : (1) l'appareil ne doit pas produire de brouillage, et (2) l'utilisateur de l'appareil doit accepter tout brouillage radioélectrique subi, même si le brouillage est susceptible d'en compromettre le fonctionnement.

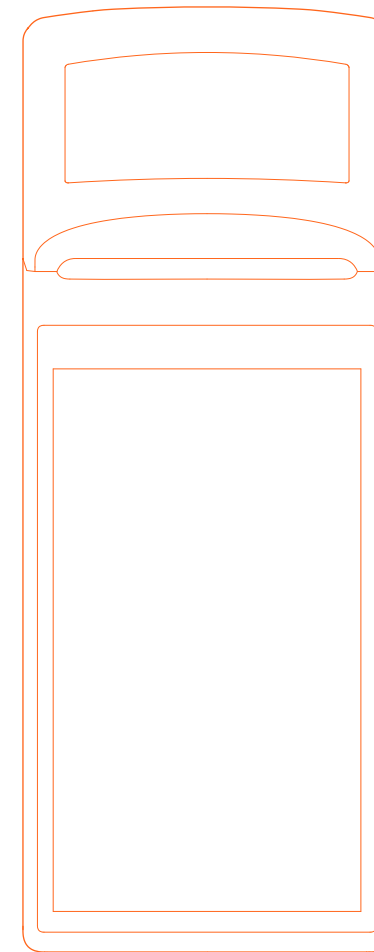
est conforme avec l'exposition aux radiations IC définies pour un environnement non contrôlé. L'utilisateur final doit respecter les instructions de fonctionnement spécifiques pour satisfaire la conformité aux expositions RF. Cet émetteur ne doit pas être co-localisées ou opérant en conjonction avec une autre antenne ou transmetteur. Ces exigences définissent

la valeur SAR limite à 1.6 W / kg en moyenne par gramme de tissu. La valeur SAR la plus

la plus haute valeur de r - s de ce dispositif sur le corps est 1.441w/kg. Cet appareil a été testé pour des opérations portés sur le corps typiques. Pour se conformer aux exigences d'exposition aux radiofréquences, une distance minimale de 0 mm doit être maintenue entre le corps de l'utilisateur et le dispositif, y compris l'antenne. Les pinces de ceinture, les étuis et autres accessoires similaires utilisés par cet appareil ne doivent pas contenir de composants métalliques. Les accessoires portatifs qui ne répondent pas à ces exigences peuvent ne pas se conformer aux exigences d'exposition RF et doit être évitée. Utilisez uniquement l'antenne fournie ou une antenne approuvée

Manufacture

Shanghai Sunmi Technology Co., Ltd. Room 505, KIC Plaza, No.388 Song Hu Road, Yang Pu District, Shanghai, China (200433)



Wireless data POS System

User Guide (W5920)