

Electronic Ballast - LC EB Series

Product Description

The series electronic ballasts are suitable for residential lighting fixtures. It performs rapid start to optimize lamp life. Main specifications are listed below:

- 120V/60Hz
- Middle power factor: >0.50
- Lamp current Crest factor: < 1.7
- End of life protection
- Sound rated A
- UL, cUL recognized

Grantee code: N96

FCC ID: N96-LC1201x

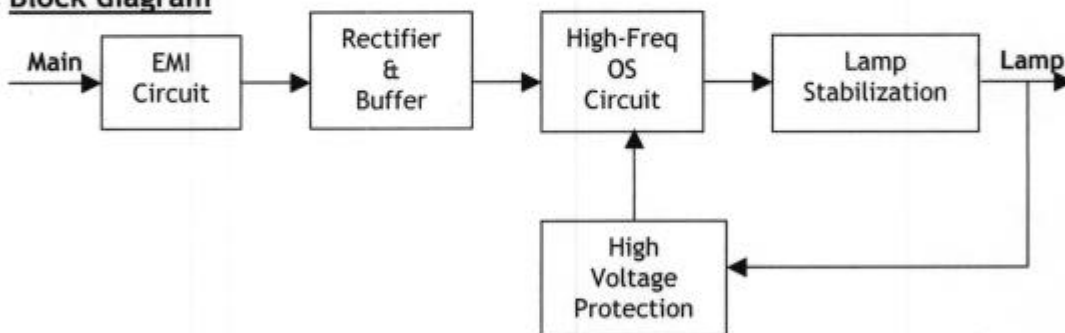
Model No: LC1201x

Detailed models vs. Lamps

LC12010/LC12010T	PLC-13W
LC12011/LC12011T	PLC-18W, or F17T8
LC12012/LC12012T	PLC-26W, or FC8T9
LC12013/LC12013T	PLT-32W, PLT-42W, or F32T8
LC12014/LC12014T	FCL-30, FC12T9, or FC16T9, or F40T12
LC12015/LC12015T	2D55, or 2C55

*Those models with T are potted for outdoor use.

Block diagram



Before Installation

Disconnect line voltage before installing or replacing lamp.
Ballast case must be grounded.

Installation:

Please connect the ballast according to the label on the ballast. Ballast supports only the lamps specified on the product label.

FCC Warning

This equipment has been tested and found to comply with the limits for a Consumer device, Pursuant to Part 18 of the FCC Rules. Operation is subject to the following conditions: (1) this device may not cause harmful interference, and (2) this device must accept any interference received, including interference that may cause undesired operation.

This product may cause interference to radio equipment and should not be installed near maritime safety communications equipment or other critical navigation or communication equipment operating between 0.45-30MHz.