

mini Bluetooth Keyboard

Sunrex

(EBK-317A)

User Manual

Important Information

For Mac operating system, you can use the keyboard immediately.

Hardware Installation

1. Turn on the mini Bluetooth Keyboard:
 - Bluetooth discovery starts and continues for 3 minutes.
The Status light blinks blue.
 - If the Status light briefly turns red, charge the batteries. For more information, see “Charge the batteries.”
2. Make sure your Bluetooth device feature is on. Select Settings > Bluetooth > On.
3. Select “mini Bluetooth Keyboard ” on the Bluetooth Devices menu.
4. If your device requests a PIN, enter the code using the mini Bluetooth Keyboard and not your device's virtual keyboard. After the Bluetooth connection is made, the Status light briefly turns blue, and then it turns off.

Note:




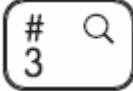

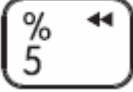
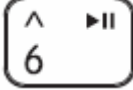
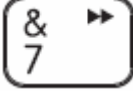
Charge the batteries:

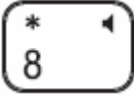
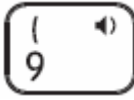


1. Plug the Micro-USB Charging cable into the mini Bluetooth Keyboard and a USB port on a computer. The Status light solid green.
2. Charge the batteries until the Status light turn off green.

Battery information:

- A fully charged battery provides about 3 months of power when the mini Bluetooth Keyboard is used about two hours a day.
- Charge the batteries when the Status light briefly turns red after the mini Bluetooth Keyboard turns on.
- When not in use, turn off the mini Bluetooth Keyboard to conserve battery power.
- The mini Bluetooth Keyboard enters sleep mode if powered on and not used. Press any key to wake.

Use your product

	Fn Off	Fn On
	~`	Home
	1	Lock screen
	2	Slide-show
	3	Search
	4	Keyboard hide/show
	5	Previous track
	6	Play/Pause
	7	Next track

	8	Mute
	9	Volume down
	0	Volume up
	delete	Bluetooth connect button

Status light indications

Light	Description
Green	The battery is charging.
Blinking red	Battery power is low . Charge the batteries.
Blinking blue	Keyboard is in discovery mode.
Solid blue	Bluetooth pairing is successful.

◆ Rating:

Keyboard:3.7VDC 30mA

◆ Max. operating temperature: 40° C

CAUTION

This device complies with part 15 of the FCC Rules. Operation is subject to the following two conditions: (1) This device may not cause harmful interference, and (2) this device must accept any interference received, including interference that may cause undesired operation.

Any changes or modifications not expressly approved by the party responsible for compliance could void the authority to operate equipment.

This equipment has been tested and found to comply with the limits for a Class B digital device, pursuant to Part 15 of the FCC Rules. These limits are designed to provide reasonable protection against harmful interference in a residential installation. This equipment generates, uses and can radiate radio

frequency energy and, if not installed and used in accordance with the instructions, may cause harmful interference to radio communications. However, there is no guarantee that interference will not occur in a particular installation. If this equipment does cause harmful interference to radio or television reception, which can be determined by turning the equipment off and on, the user is encouraged to try to correct the interference by one or more of the following measures:

- Reorient or relocate the receiving antenna.
- Increase the separation between the equipment and receiver.
- Connect the equipment into an outlet on a circuit different from that to which the receiver is connected.
- Consult the dealer or an experienced radio/TV technician for help.

Industry Canada Notice

Operation is subject to the following two conditions: (1) this device may not cause interference and (2) this device must accept any interference, including interference that may cause undesired operation of the device.