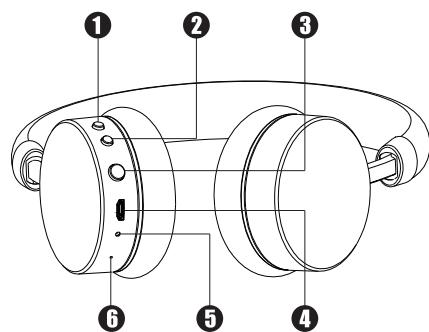


Overview & Controls



- 1 Volume Up / Previous
- 2 Volume Down / Next
- 3 Power / Pair / Play / Pause / Speakerphone
- 4 DC Power Input
- 5 LED Indicator
- 6 Microphone

Features

- Supports Bluetooth
- Supports profile A2DP (Advanced Audio Distribution Profile)
- Digital volume control
- Built-in microphone
- Micro-USB port for battery recharge
- Wireless range: 33 feet
- DC battery power: built-in rechargeable lithium ion battery
- Battery life: approx. 10 hrs at 100% volume
24 hrs at 50%

Includes

- Micro-USB to USB charging cable

Battery Power

Initial charge time is approximately 2 hours.

1. Using a **Micro-USB to USB** cable (included), connect to the USB port of a powered on computer or USB power adaptor to charge the unit. Charge fully before use.

LED Indicators

| Status | Indicators |
|-------------------|------------------------------|
| Power On | Red and Blue light |
| Pairing Wireless | Flashing red and blue lights |
| Paired | Flashing blue light |
| Low Battery | Flashing red light |
| Charging | Red light |
| Finished Charging | Blue light |

Pairing a Bluetooth Device

If your device should become unpaired, or you find it is unable to connect normally, repeat the steps below.

1. Power on the unit by pressing and holding the **Power/Pair button** for approximately **3 seconds**. The indicator will light in red and blue first, then turn into flash red and blue lights. (When pairing, remain within 3 feet of the unit.)
2. Using the controls on your Bluetooth device, select **SW-B8** in your Bluetooth settings to pair. (If your device requests a password, enter the default password **0000**.)
3. Refer to the user's manual for your specific device for instructions on pairing and connecting Bluetooth devices. After initial pairing, the unit will stay paired unless unpaired manually by the user, or erased due to a reset of the device.

Playing Audio Wirelessly

1. Use the controls on the connected Bluetooth device to **select and begin playing** an audio track. (Audio from the connected Bluetooth device should now be heard through the earbuds.)
2. To play or pause audio, press the **Play/Pause** button, or use the controls on the connected Bluetooth device.

Using the Speakerphone

1. To accept a call, press the **Speakerphone** button, or use the controls on the connected phone.
2. To end a call, press the **Speakerphone** button, or use the controls on the connected phone.
3. To re-dial the last dialed number, press the **Speakerphone** button twice.

FCC WARNINGS

- Warning: Changes or modifications to this unit not expressly approved by the party responsible for compliance could void the user's authority to operate the equipment.

NOTE: This equipment has been tested and found to comply with the limits for a Class B digital device, pursuant to Part 15 of the FCC Rules. These limits are designed to provide reasonable protection against harmful interference in a residential installation. This equipment generates, uses, and can radiate radio frequency energy and, if not installed and used in accordance with the instructions, may cause harmful interference to radio communications. However, there is no guarantee that interference will not occur in a particular installation. If this equipment does cause harmful interference to radio or television reception, which can be determined by turning the equipment off and on, the user is encouraged to try to correct the interference by one or more of the following measures:

- Reorient or relocate the receiving antenna.
- Increase the separation between the equipment and receiver.
- Connect the equipment into an outlet on a circuit different from that to which the receiver is connected.
- Consult the dealer or an experienced radio/TV technician for help.

FCC Compliance Statement: This device complies with Part 15 of the FCC rules. Operation is subjected to the following two conditions: (1) this device may not cause harmful interference, and (2) this device must accept any interference received, including interference that may cause undesired operation.

ADDITIONAL WARNINGS

- WARNING: To prevent fire or shock hazards, do not expose this unit to rain or moisture.
- WARNING: Where the mains plug or appliance coupler is used as the disconnect device, such disconnect device shall remain readily operable.
- Lithium batteries, like all rechargeable batteries, are recyclable and should be recycled or disposed of according to state and local guidelines. They should never be disposed of in normal household waste, and they should never be incinerated, as they might explode. Contact your local government for disposal or recycling practices in your area.
- This product meets and complies with all Federal regulations.
- To avoid hearing damage, make sure that the volume on your music player is turned down before connecting your headphones. After placing headphones in/on your ears, gradually turn up the volume until you reach a comfortable listening level.



Bluetooth Headphone

User's Guide for Model SW-B8