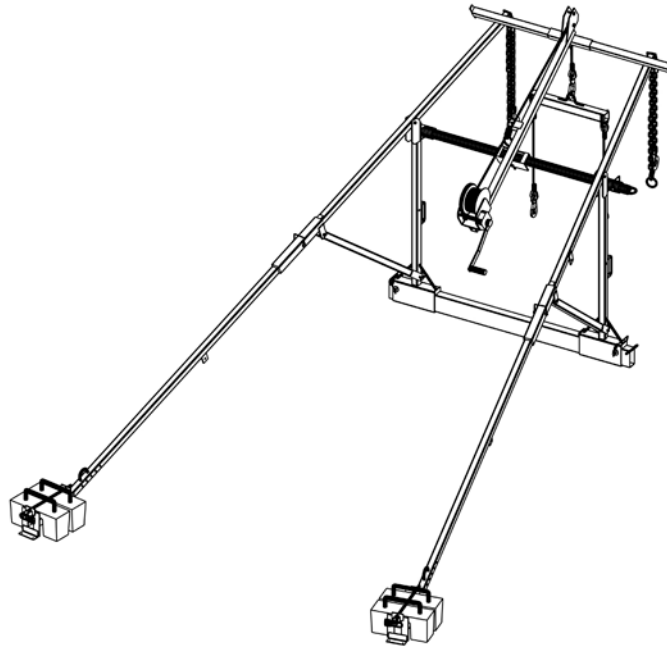


# SUPERCHUTE® DEBRIS REMOVAL SYSTEM

## CHUTE HOIST INSTALLATION MANUAL

---



### *Roofer Hoist* *For Model N° SC-300-cb*

**SUPERCHUTE® FACTORY**

**Edition of March 10, 2016**

- toll free: 800-363-2488
- telephone: 514-365-6121
- facsimile: 514-365-8987
- internet: [www.superchute.com](http://www.superchute.com)
- e-mail: [info@superchute.com](mailto:info@superchute.com)
- address: 8810 Elmslie Road, Montreal, Canada, H8R 1V6

**IMPORTANT REFERENCE  
DOCUMENT**

**IMPORTANT NOTICE:**

**IT IS THE RESPONSIBILITY OF COMPANIES THAT SELL, RENT OR USE THE SUPERCHUTE® PRODUCT TO FREELY SUPPLY THE LATEST EDITION OF THIS MANUAL TO THE FOLLOWING PERSONS:**

- **THE PLANNERS AND SUPERVISORS OF THE CHUTE SYSTEM**
- **THE INSTALLERS OF THE CHUTE SYSTEM**
- **THE USERS OF THE CHUTE SYSTEM**

**If you have any questions or comments concerning this manual, please feel free to contact Superchute Ltd.**

**The contents of this manual remain the intellectual property of Superchute Ltd. Superchute Ltd. authorizes reproduction (photocopies or similar) of all of its safety manuals, provided the reproduction is intended for users of the Superchute® product. Reproductions must be made in their entirety.**

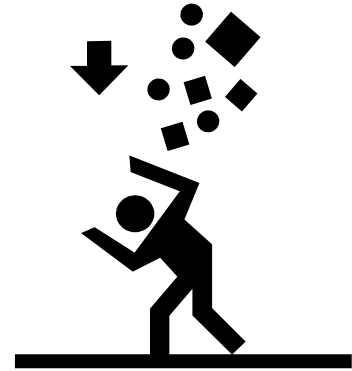
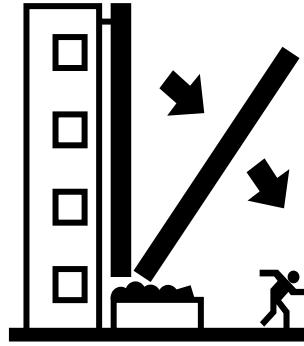
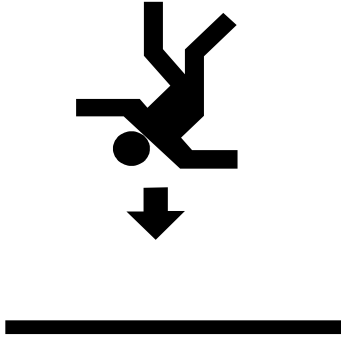
*© Superchute Ltd., 1999  
All Rights Reserved  
Printed in Canada*

This manual refers to the following products, which are protected by international patent laws:

Door Sections	Wraparound® Regular Sections	Chute Hoists
U.S. Pat. No. Des. 328,174 Can. Ind. Des. 1990 RD 66842	U.S. Pat. 5,472,768 Can. Pat. 2,119,108 U.K. Pat. 2,276,151	U.S. Pat. 5,934,437 Can. Pat. Application 2,177,741



# WARNING



- The installation and use of a Superchute Chute System involves many hazards, for example, the risk of:
  - a worker falling off a building
  - a blockage in the chute causing the chute system to collapse
  - a person being struck by falling debris
- Failure to follow Superchute's instructions may result in serious injury or death.
- Planners, Supervisors, Installers, and Users must read, understand, and follow the instructions found in these manuals before rigging or using a chute system:
  1. The "Chutes Manual"
  2. The applicable "Chute Hoist Installation Manual(s)"
- For copies of these manuals contact Superchute® Ltd: **1-800-363-2488**  
or download them from [www.superchute.com](http://www.superchute.com)

## **HOW TO USE THIS MANUAL**

Many people read this manual from beginning to end when they first receive their chute hoist. The manual explains the hoist's features and the procedures for using it safely.

In this manual, you'll find that pictures and words work together to explain things quickly.

### **A) USE THE MOST RECENT EDITION**

- Each new edition of the SC-300-cb Chute Hoist Installation Manual contains important new information.
- **ALWAYS USE THE MOST RECENT EDITION:** Compare the edition date of this booklet (printed at the bottom of every page) to the edition available for download on the Superchute website: [www.superchute.com](http://www.superchute.com). Use the edition with the most recent date. If you do not have access to the internet, call Superchute (1-800-363-2488) and ask a representative for assistance.
- The instructions in a new edition supersede any instruction found in a prior edition.
- Avoid confusion: discard any old SC-300-cb Chute Hoist Installation Manuals.

### **B) IF USING THIS MANUAL EDITION WITH AN OLDER HOIST**

Over time, improvements have been made to the Roofer Hoist. If you are using this manual with an older hoist, you may find some of the sketches do not match the product you have. If you are unsure of how to proceed, call the Superchute® Factory: 1-800-363-2488.

Older hoists can be upgraded to reflect the latest improvements. Contact the Superchute® factory for details.

### **C) USE THE TABLE OF CONTENTS**

A good place to look for what you need is the Table of Contents located on **page 6** of the manual. It's a list of all that's in the manual along with the page number where you'll find it.


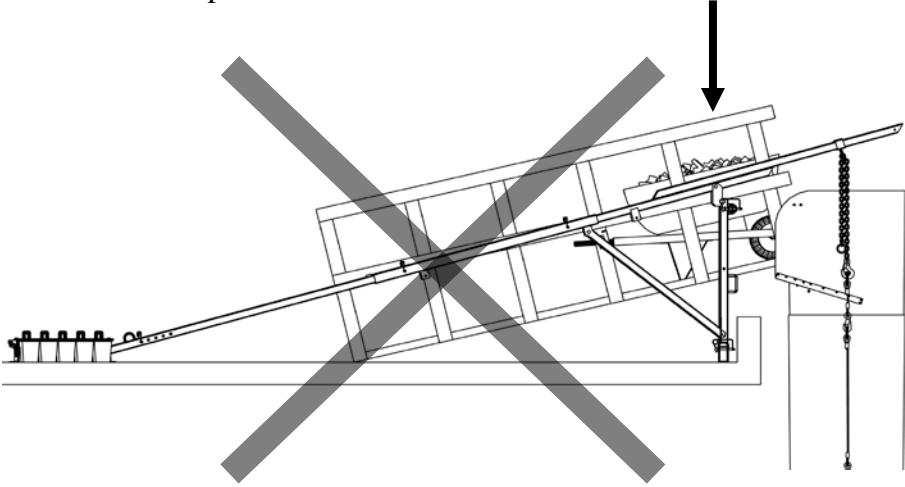
## D) SAFETY WARNINGS AND SYMBOLS

You will find a number of safety warnings in this book. Safety warnings tell you about things that could hurt you, or others, if you were to ignore the warning. We use the following symbol to attract your attention to the warning:



A warning indicates a potentially hazardous situation which, if not avoided, could result in death or serious injury.

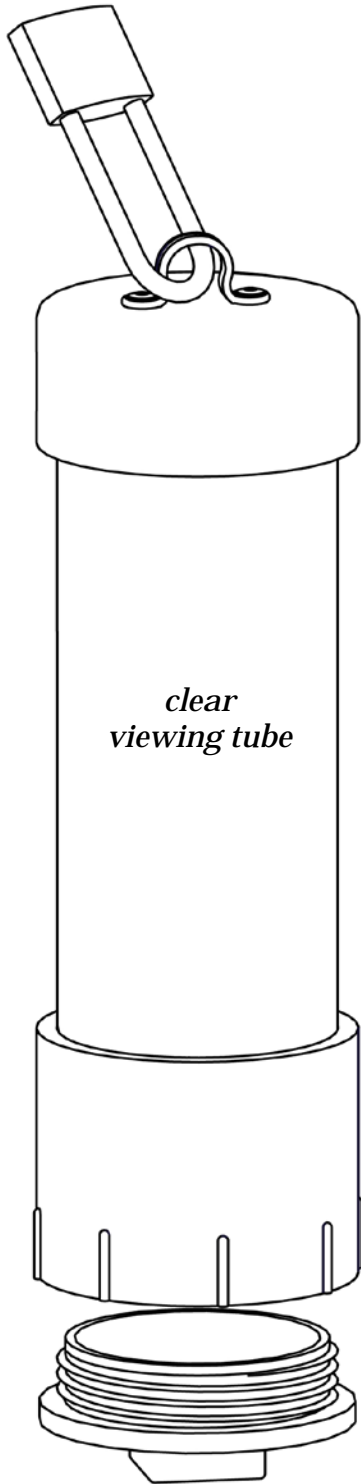
Here is an example of a Superchute® warning:

 <b>WARNING</b>	
<b>Hazard</b>	<ul style="list-style-type: none"><li>• A ramp resting on the hoist frame could greatly increase the loading on the hoist frame.</li><li>• The load increase could cause the hoist frame to fail.</li><li>• Do NOT rest ramps on the hoist frame. Do NOT attach ramps to the hoist frame. Ramp designs must be approved by a structural engineer.</li></ul>
<b>Consequence</b>	
<b>Instruction</b>	
<b>Pictorial (optional)</b>	<p><b><u>WRONG:</u></b></p> <p>The wheelbarrow ramp increases the load on the hoist frame.</p> 

## E) STORE THE MANUAL IN THE SUPERCHUTE DOCUMENTS CANISTER

Use a canister at the jobsite to:

- protect and store the manual.
- make the manual readily available to users of the Hoist.



The canister is virtually indestructible and weatherproof. It features a clear plastic viewing tube that allows users to see its contents. The canister is supplied with a brass padlock to allow it to be locked to the hoist.

An on-site canister protects your workers and your company by ensuring greater jobsite safety. Use the canister as part of your overall safety program.

Color pictures with more explanations are provided on the Superchute website: [www.superchute.com](http://www.superchute.com).

# **TABLE OF CONTENTS**

HOW TO USE THIS MANUAL.....	3
1. INTRODUCTION .....	7
2. IDENTIFY THE PIECES .....	8
3. DIMENSIONS .....	11
4. NORMAL LOADS.....	12
5. ULTIMATE LOADS .....	13
6. IMPORTANT INFORMATION.....	14
7. ASSESS CHUTE HEIGHT & WEIGHT.....	16
8. CHUTE SECTION WEIGHT CHARTS .....	18
9. A FEW FALL PROTECTION REGULATIONS.....	19
10. PROTECT THE DECK .....	20
11. ASSEMBLE THE FRAME.....	21
12. POSITION, ANCHOR, & TIE-BACK THE FRAME .....	25
13. PREPARE & INSTALL THE FISHPOLE (IF APPLICABLE).....	28
14. HOIST THE CHUTES INTO PLACE.....	33
15. TRANSFER THE CHUTE LOAD FROM THE LIFTING DEVICE TO THE BOOM CHAINS.....	38
16. REMOVE THE FISHPOLE (IF APPLICABLE).....	40
17. CONGRATULATIONS!.....	42
18. FALL PROTECTION & THE GATEKEEPER .....	43
19. USING THE HOIST TO REMOVE DEBRIS FROM DIFFERENT LEVELS.....	44
20. DE-INSTALLATION OF THE HOIST .....	46
APPENDIX A: WARRANTY.....	48
APPENDIX B: STAY INFORMED .....	48
APPENDIX C: PARTS LIST .....	49
APPENDIX D: TEST CERTIFICATE.....	49
APPENDIX E: GLOSSARY .....	50
APPENDIX F: WINCH INFORMATION (IF APPLICABLE) .....	51

# 1. INTRODUCTION

Welcome to safe, quick, and easy chute installations!

The Roofer Hoist is a counterweighted chute hoist that can be used from a flat roof, a floor slab, or through a window opening.

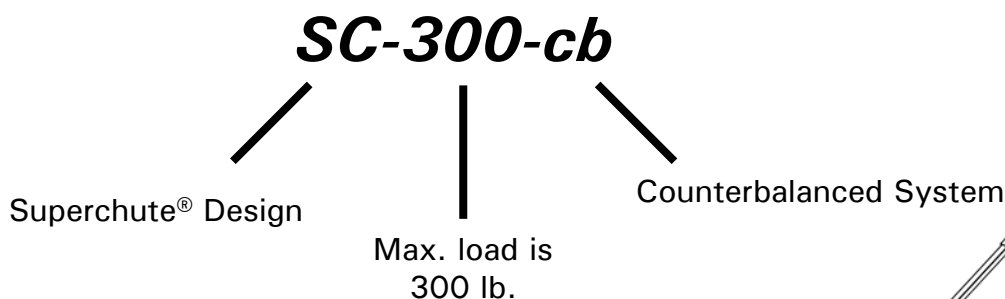
Superchute Ltd. manufactures three models of Roofer Hoist: the SC-300-cb, SC-605-cb, and SC-905-cb. This installation manual concerns model SC-300-cb, which lifts, supports, and lowers up to 300 lb. of chute. A 300 lb. chute load translates into approximately 30 feet (10 chute sections). The length of chute that can be created depends on the diameter of chute to be used, and must be calculated by the installer (refer to **Section 7** in this manual entitled: **Assess Chute Height & Weight**).

Assembly of the SC-300-cb is quick and requires only a few identical locking pins. Four counterweights are required to support the chute load. The outrigger beams are splayed apart for rock-solid stability. The design features a 3:1 safety factor.

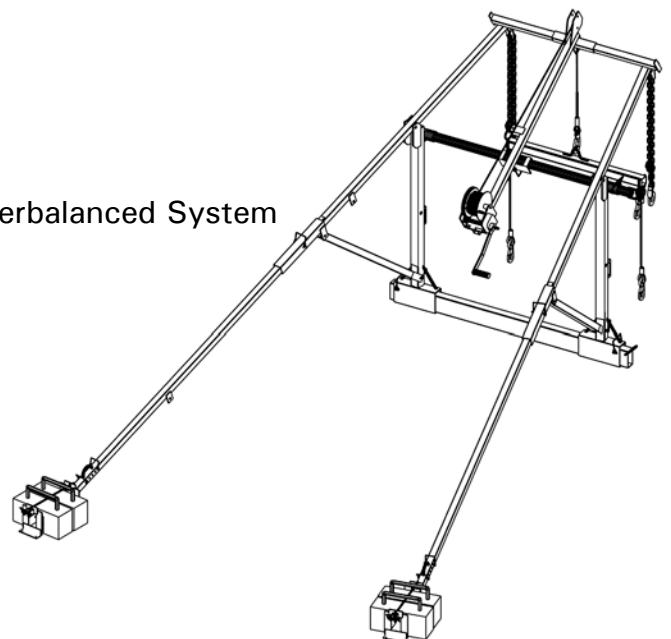
A removable Fishpole is available for lifting and lowering the chute. The same Fishpole can serve many SC-300-cb frames.

When not in use the entire frame can be folded and stored as compact packets.

## Understand the Name:



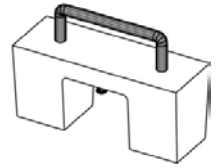
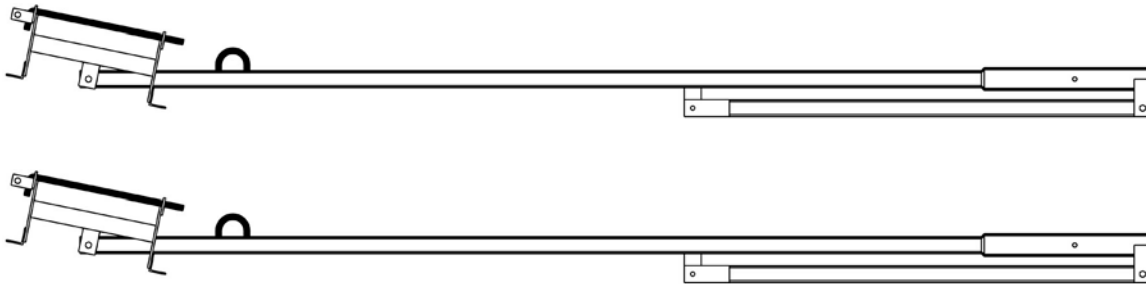
U.S. Pat. 5,934,437





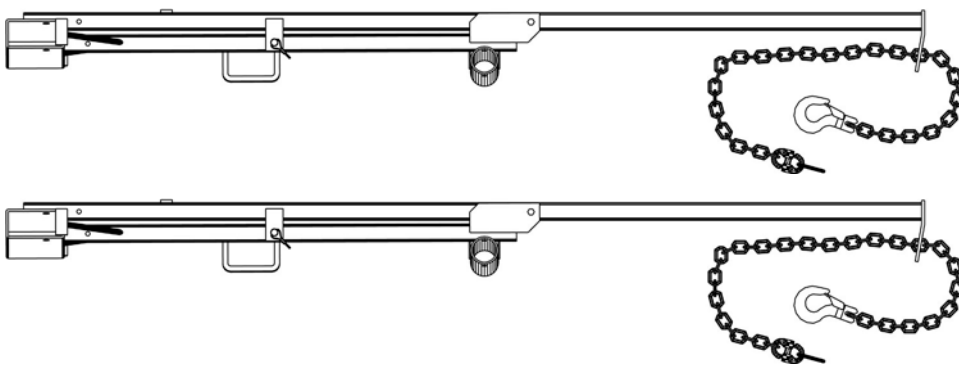
## 2. IDENTIFY THE PIECES

### 2 Weight Beam & Cross Brace Packets



4 Weights  
(55 lb. each)

### 2 Mast & Boom packets

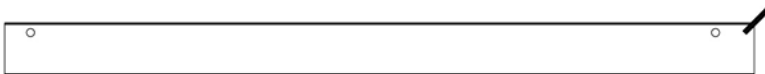


8 Locking Pins  
(5/16" diameter)

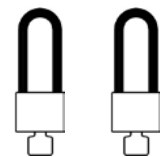


2 Locking Pins  
(1/2" diameter)

### 1 Toeboard



### 1 Toprail

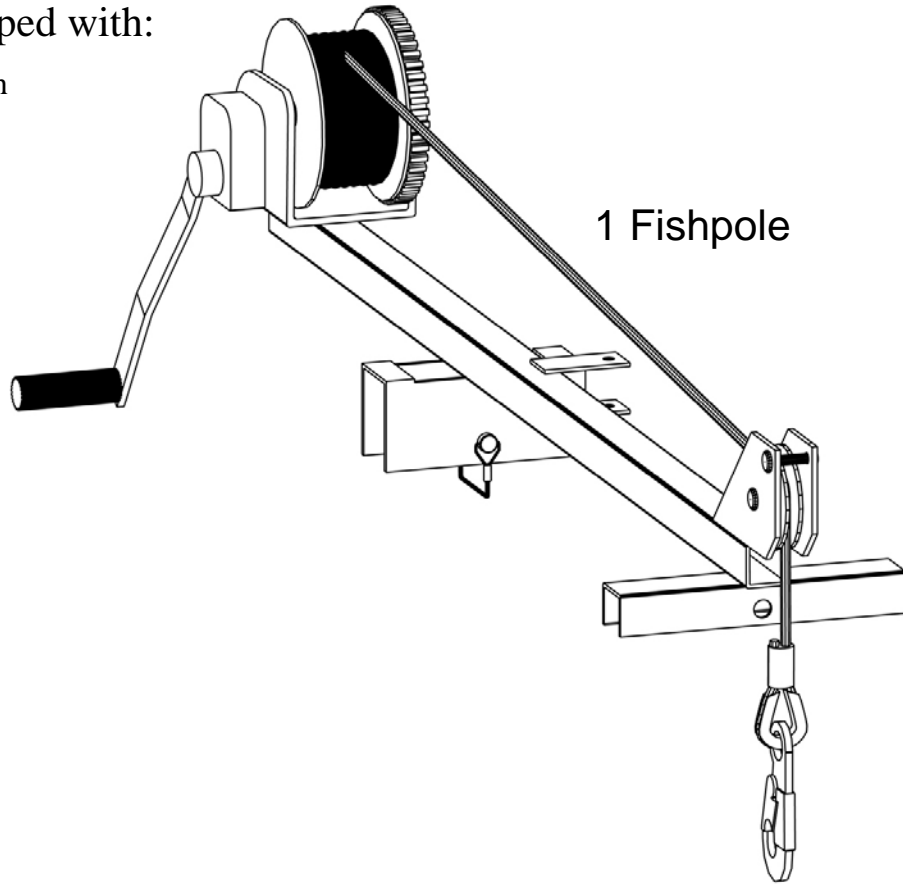


2 Padlocks

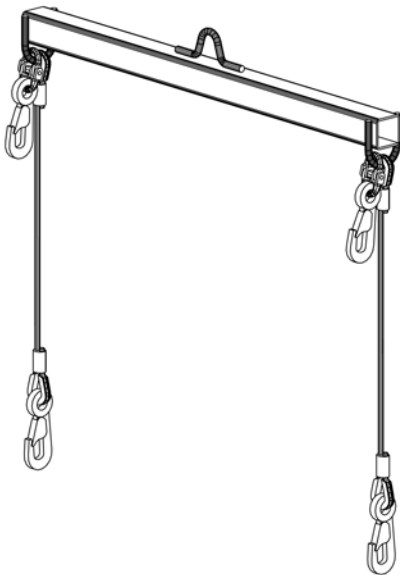
# HOISTING DEVICE

1 Fishpole equipped with:

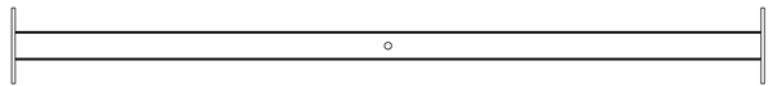
- Shelby drum winch
- cable & hook
- sheave wheel



1 Fishpole



1 Spreader Bar

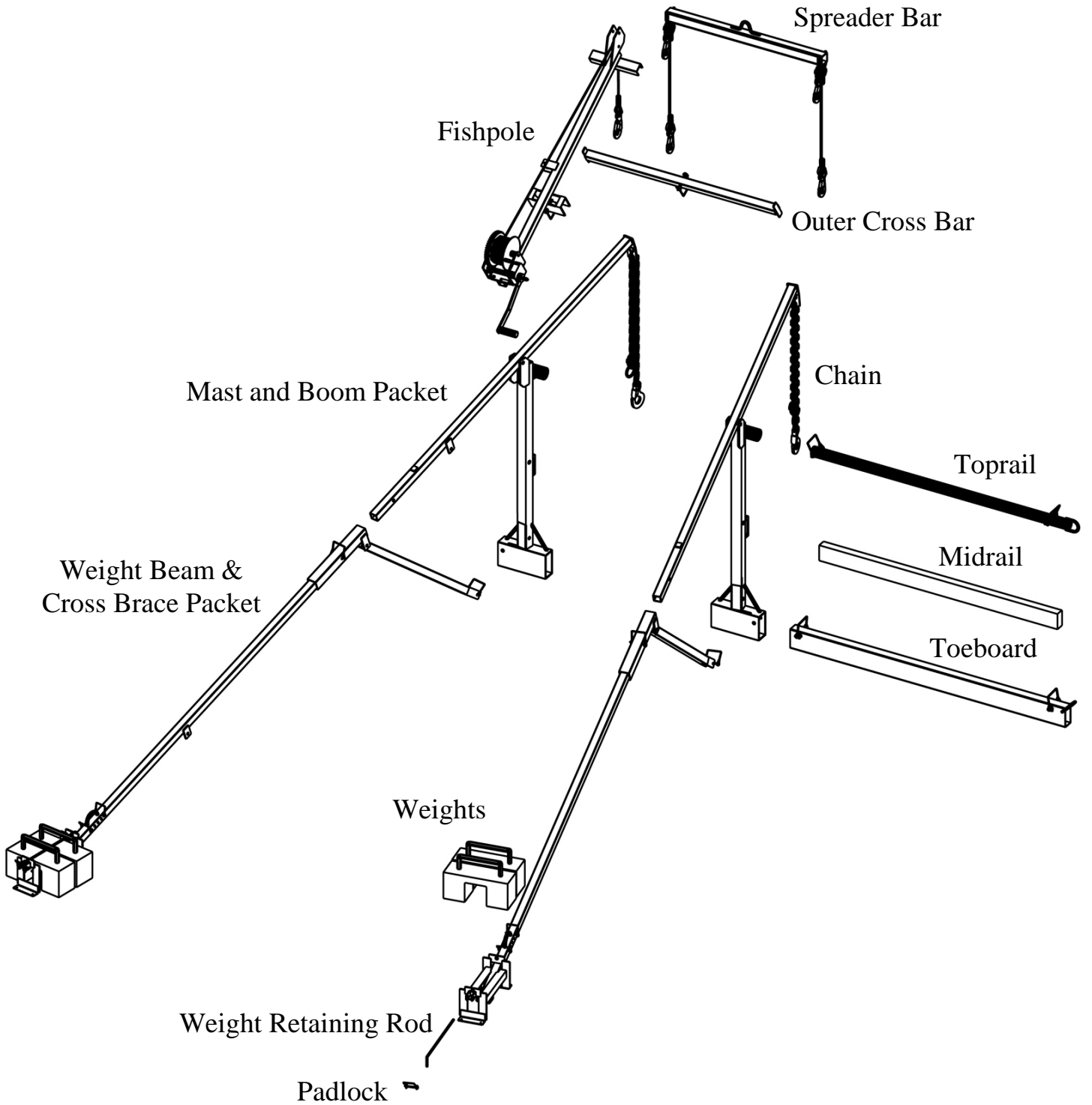


1 Outer Cross Bar

2 Locking Pins  
(5/16" diameter)

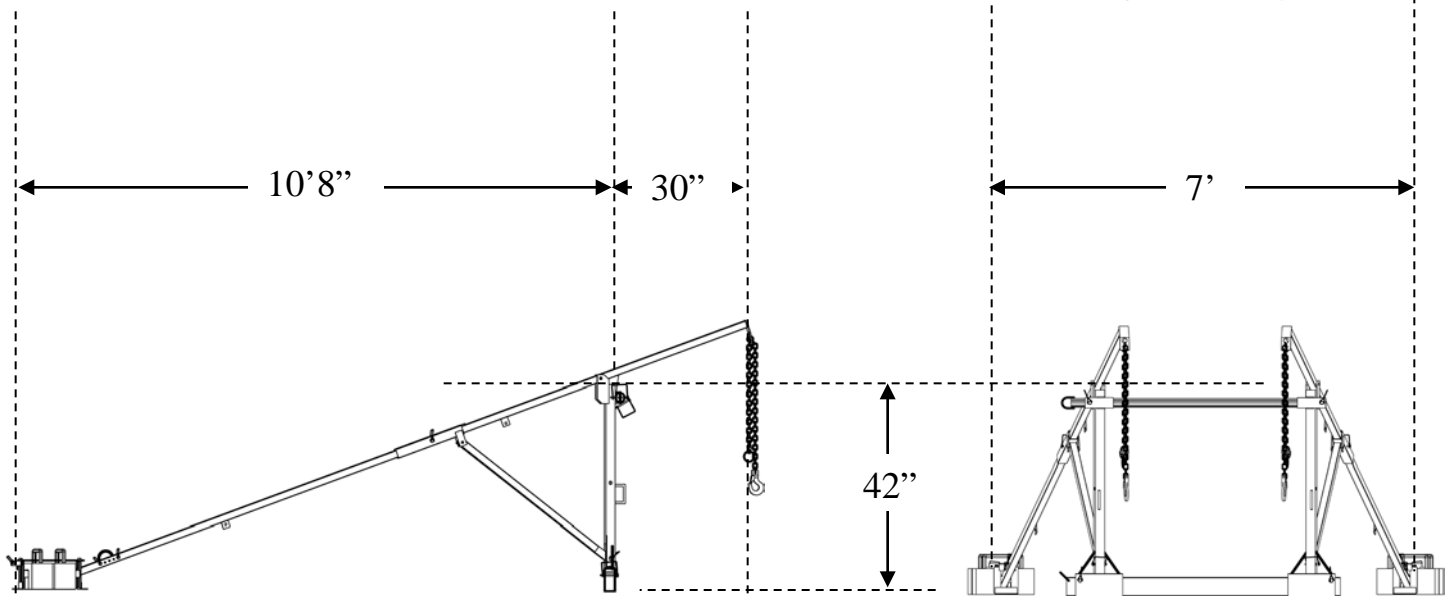
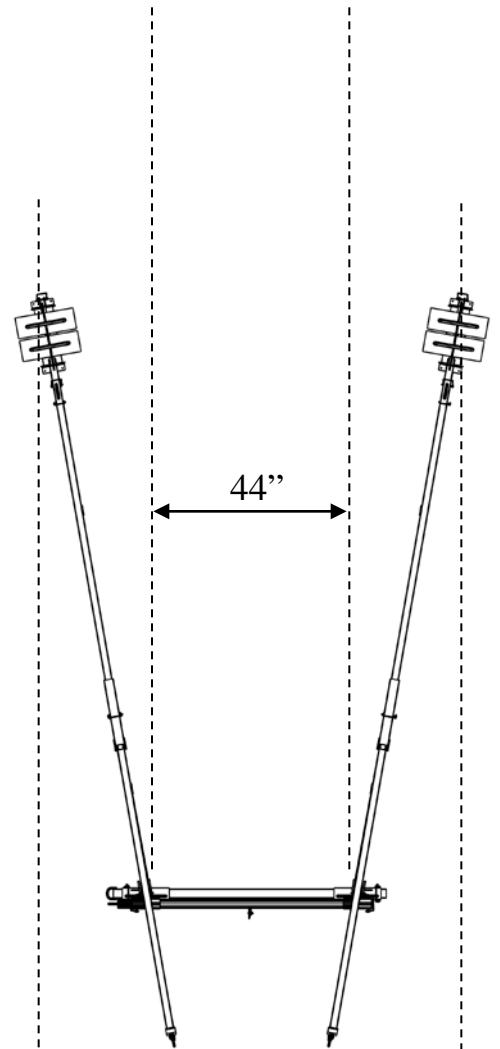


# Exploded View



### 3. DIMENSIONS

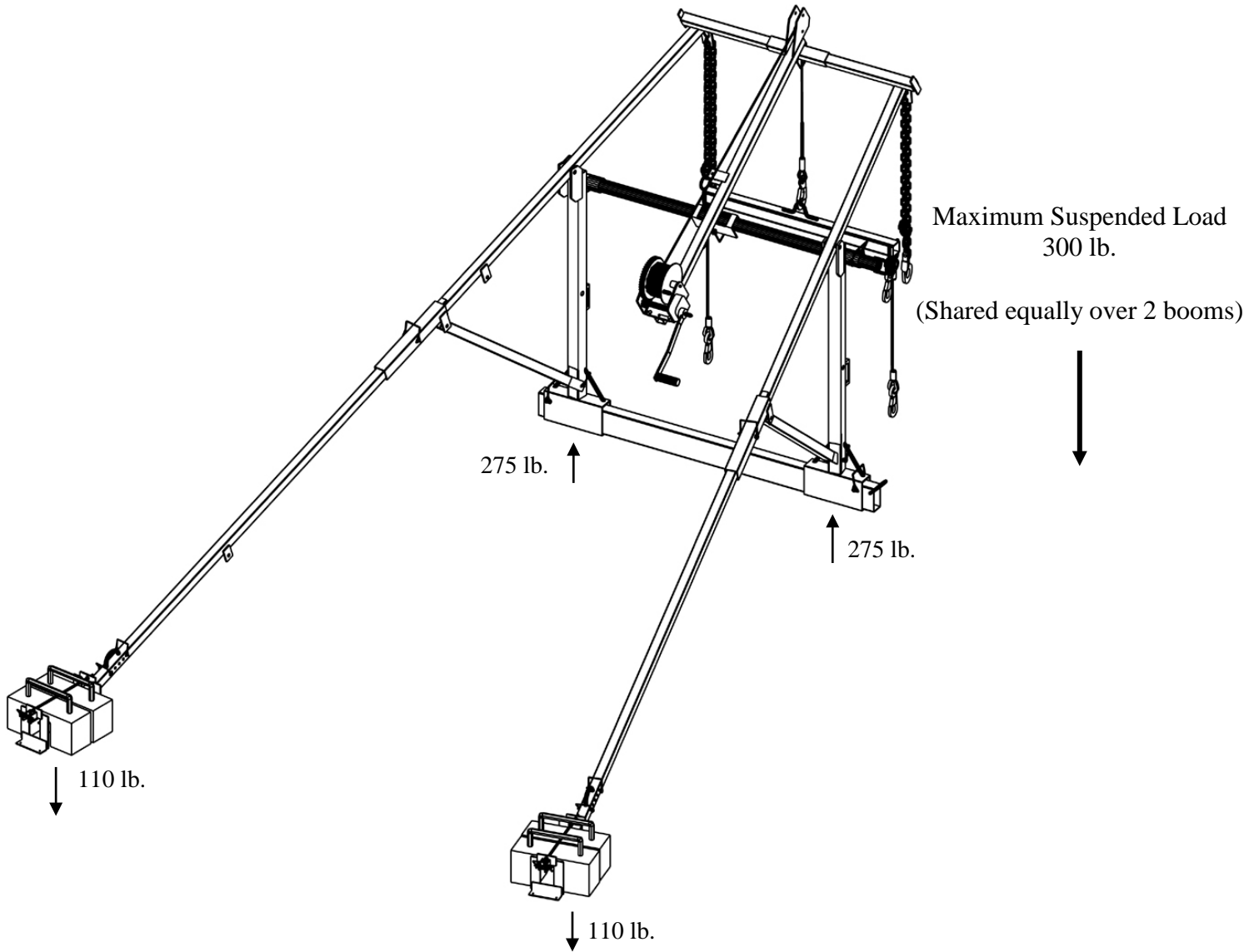
• Frame Weight:	190 lb.	(excluding counterweights)
• Counterweights:	220 lb.	(4 required x 55 lb. each)
• Fishpole Weight:	45 lb.	
• Total Weight:	455 lb.	



## 4. NORMAL LOADS

The sketch shows the loads imposed on the supporting structure with normal use.

A structural engineer must verify the adequacy of the supporting deck.

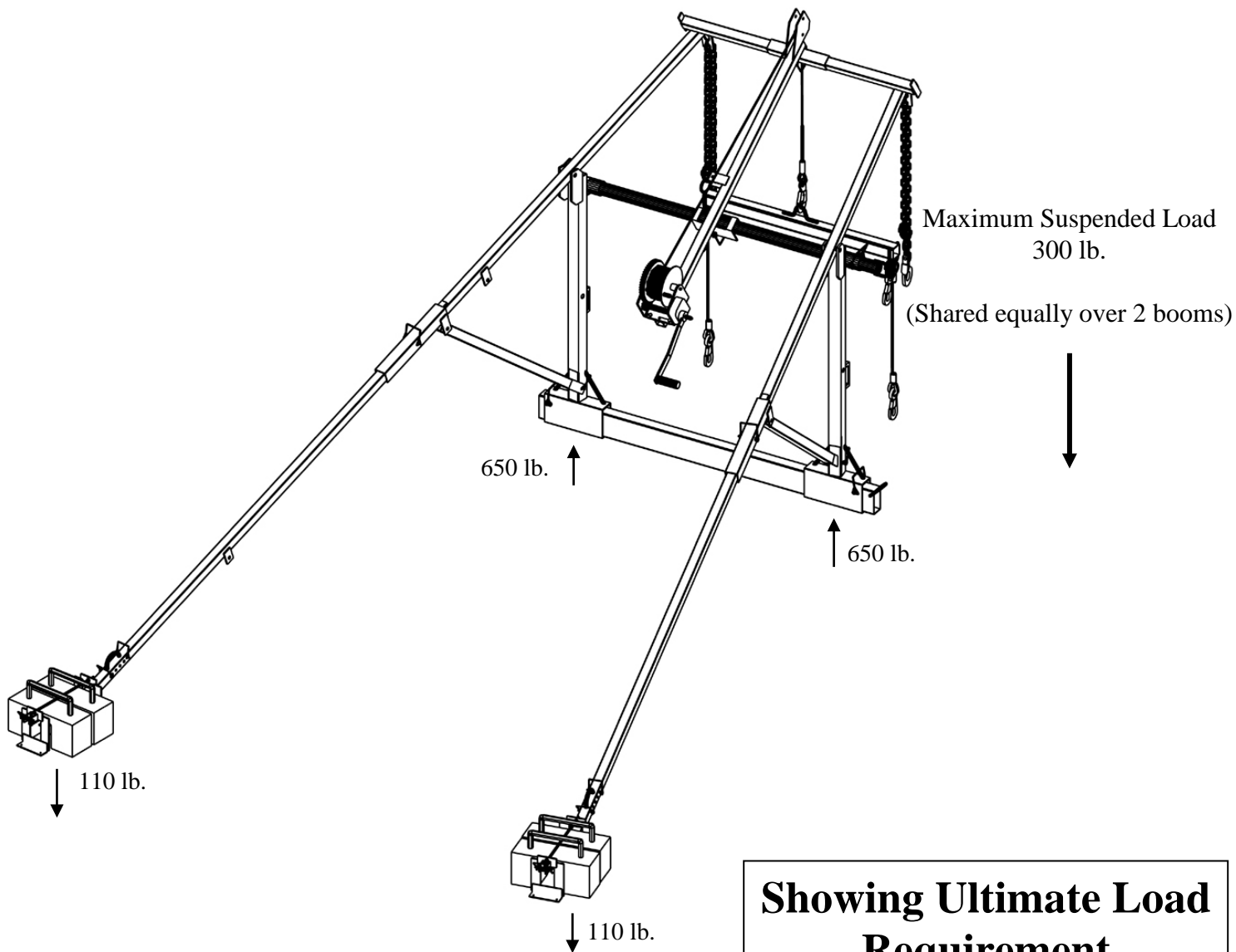


**Showing Normal  
Applied Loading**

## 5. ULTIMATE LOADS

The sketch shows the loads imposed on the supporting structure when the device is overloaded.

A structural engineer must verify the adequacy of the supporting deck.



## **6. IMPORTANT INFORMATION**

### **Applicable Regulations:**

Before rigging or using the chute system, planners, supervisors, installers and users should be aware of applicable federal, state, and local safety regulations.

### **Additional Expertise**

This manual should not be taken as an overall survey on rigging technique, fall protection, or structure appraisal. Whenever these considerations arise, the planners, supervisors, installers and users of the chute system should secure the services of trained professionals.

### **Availability of the Manual:**

Planners, supervisors, installers and users of the chute system must be able to refer to this manual at any time. Copies of this manual are available from Superchute Ltd. free of charge, **by mail or fax, and can be downloaded from the Superchute® web site at: [www.superchute.com](http://www.superchute.com).** If this manual is not with the chute system on the job site, postpone installation and use of the chute system until a manual is obtained.

### **Condition of the Equipment**

Every time the chute is to be rigged or used, make sure the following items are in good condition: Superchute® hoist(s), Superchute® cable assemblies, Superchute® chute sections, Superchute® steel liners, and any other ancillary Superchute® equipment, such as door adjustment kits and tie-back kits. Thorough overhaul servicing is available from Superchute Ltd.

### **Condition of the Workers**

Superchute® equipment should only be used by workers who are fit to operate it in a responsible manner.

### **Corrosive Substances**

Keep corrosive substances away from all hoist components.

### **Engineered Rigging Equipment**

Use engineered rigging equipment to install and anchor chute sections (for example, a Superchute® chute hoist)

## **Fire Prevention**

Do not weld or flame-cut within 20 ft. of the hoist or chute.

## **Help Line**

If at any time you are unsure of how to proceed call Superchute Toll Free: 1-800-363-2488

## **Intent of the Product**

Do not use the chute hoist to lift or lower materials other than a Superchute® trash chute. Do not use the chute hoist as a man-hoist.

## **Lightning Storm**

During a lightning storm stay away from the hoist & suspended chute system.

## **Other Brands of Chute**

Do not mix Superchute® chute sections with chute sections of another brand.

## **Parts**

Do not replace original Superchute® parts with non-Superchute® parts.

## **Powered loaders**

Do not use powered loaders to introduce debris into the chute.

## **Prevent Electrocutation**

Install the hoist and chute in an area free of electric cables. If cables are present contact your local electrical authority before proceeding.

## **Structural Engineer**

Before a chute installation begins, a structural engineer must verify the adequacy of the supporting structure.

## **Training**

A one-day training seminar is offered free of charge at the Superchute® factory. The seminar examines the proper installation and use of Superchute® chute sections and chute hoists. Call 1-800-363-2488 for details.



## 7. ASSESS CHUTE HEIGHT & WEIGHT

# SAMPLE

- The first step in undertaking a chute installation is to formulate an installation plan.
- This page is a planning tool, which is used here to illustrate an imaginary chute job.
- The next page is clean and is for your own use. Photocopy it and use it to plan your chute installations.

JOB NAME: Hotel On First Ave.

1. What is the anticipated height of the chute? 25' feet.  
*25 feet x 3 divided by 10 = 7.5*
2. How many chute sections will be needed? Height in ft x 3 ÷ 10 = ~ 8 sections.  
*When linked, 3 chute sections of any type will create a 10 foot drop.*
3. What diameter of chute will be used? [18"] [23"] [27"] [30"] [33"] [36"]  
*Every chute section is branded with its diameter.*
4. Calculate the total weight of the chute system using the form below:  
*Every chute section is branded with its weight.  
Section Weights are also provided on page 19.*

### Chute Weight Calculation Form

(A) 1 Top Hopper Wraparound x 42 lb. each = 42 lb.

(B) 0 Door Sections x \_\_\_\_\_ lb. each = 0 lb.

(C) 7 Regular Sections Wraparound - 3.2 mm wall x 28 lb. each = 196 lb.

(D) 1 Steel Liners x 40 lb. each = 40 lb.

**A+B+C+ D = The Total Weight Of The Chute System = 278 lb. lb.**

5. Does this weight exceed 300 lb? If "YES", then model SC-300-cb is not adequate.  
*Call the Superchute® factory if your chute weight exceeds 300 lb. Phone: 800-363-2488*

*No, the calculated weight of 278 lb. does not exceed the 300 lb. limit. This hoist model can safely handle the calculated weight.*

# THE INSTALLATION PLAN – PHOTOCOPY & USE THIS PAGE

- The first step in undertaking a chute installation is to formulate an installation plan.

JOB NAME: \_\_\_\_\_

1. What is the anticipated height of the chute? \_\_\_\_\_ feet.
2. How many chute sections will be needed? Height in ft x 3 ÷ 10 = \_\_\_\_\_ sections.  
*When linked, 3 chute sections of any type will create a 10 foot drop.*
3. What diameter of chute will be used? [18"] [23"] [27"] [30"] [33"] [36"]  
*Every chute section is branded with its diameter.*
4. Calculate the total weight of the chute system using the form below:  
*Every chute section is branded with its weight.*  
*Section Weights are also provided on the next page.*

<b>Chute Weight Calculation Form</b>
--------------------------------------

(A)	<u>  <b>1</b>  </u>	Top Hopper	x	_____ lb. each	=	_____ lb.
(B)	_____	Door Sections	x	_____ lb. each	=	_____ lb.
(C)	_____	Regular Sections	x	_____ lb. each	=	_____ lb.
(D)	_____	Steel Liners	x	_____ lb. each	=	_____ lb.
<b>A+B+C+ D = The Total Weight Of The Chute System</b>						<b>= _____ lb.</b>

5. Does this weight exceed 300 lb? If “YES”, then model SC-300-cb is not adequate.  
*Call the Superchute® factory if your chute weight will exceed 300 lb.*

## **8. CHUTE SECTION WEIGHT CHARTS**

- An “x” signifies that no such section exists.
- If using steel liners, do not forget to account for their weight.

### **WELDED SECTION WEIGHTS (in lb.)**

<b>Diameter</b>	<b>Wall Thick.</b>	<b>Regular</b>	<b>Top Hopper</b>	<b>Door</b>
<b>18”</b>	<b>5 mm</b>	23	24	29
<b>23”</b>	<b>5 mm</b>	27	30	36
<b>27”</b>	<b>5 mm</b>	32	34	41
<b>30”</b>	<b>5 mm</b>	37	40	47
<b>30”</b>	<b>4 mm</b>	27	X	X
<b>30”</b>	<b>3.2 mm</b>	X	X	X
<b>33”</b>	<b>5 mm</b>	40	42	50
<b>36”</b>	<b>6 mm</b>	48	53	60

### **WRAPAROUND® SECTION WEIGHTS (in lb.)**

<b>Diameter</b>	<b>Wall Thick.</b>	<b>Regular</b>	<b>Top Hopper</b>	<b>Door</b>
<b>18”</b>	<b>5 mm</b>	X	X	X
<b>23”</b>	<b>5 mm</b>	29	30	40
<b>27”</b>	<b>5 mm</b>	35	40	49
<b>30”</b>	<b>5 mm</b>	39	42	52
<b>30”</b>	<b>4 mm</b>	31	X	X
<b>30”</b>	<b>3.2 mm</b>	28	X	X
<b>33”</b>	<b>5 mm</b>	43	48	57
<b>36”</b>	<b>6 mm</b>	49	57	68

### **LINER WEIGHTS (in lb.)**

<b>18”</b>	<b>23”</b>	<b>27”</b>	<b>30”</b>	<b>33”</b>	<b>36”</b>
<b>23 lb.</b>	<b>32 lb.</b>	<b>37 lb.</b>	<b>40 lb.</b>	<b>48 lb.</b>	<b>53 lb.</b>

## **9. A FEW FALL PROTECTION REGULATIONS**

“The employer shall determine if the walking/working surfaces on which its employees are to work have the strength and structural integrity to support employees safely. Employees shall be allowed to work on those surfaces only when the surfaces have the requisite strength and structural integrity.”

“Each employee on a walking/working surface ... with an unprotected side or edge which is 6 ft or more above a lower level shall be protected from falling by the use of guardrail systems, safety net systems, or personal fall arrest systems.”

“An unprotected side or edge means any side or edge ... where there is no wall or guardrail system at least 39” high.”

“Each employee in a hoist area shall be protected from falling 6 feet or more to lower levels by guardrail systems or personal fall arrest systems. If guardrail systems ... or portions thereof, are removed to facilitate the hoisting operation ... and an employee must lean through the access opening or out over the edge of the access opening (to receive or guide equipment and materials, for example) that employee shall be protected from fall hazards by a personal fall arrest system.”

*From OSHA Part 1926 Safety and Health Regulations for Construction, Subpart M, Fall Protection*

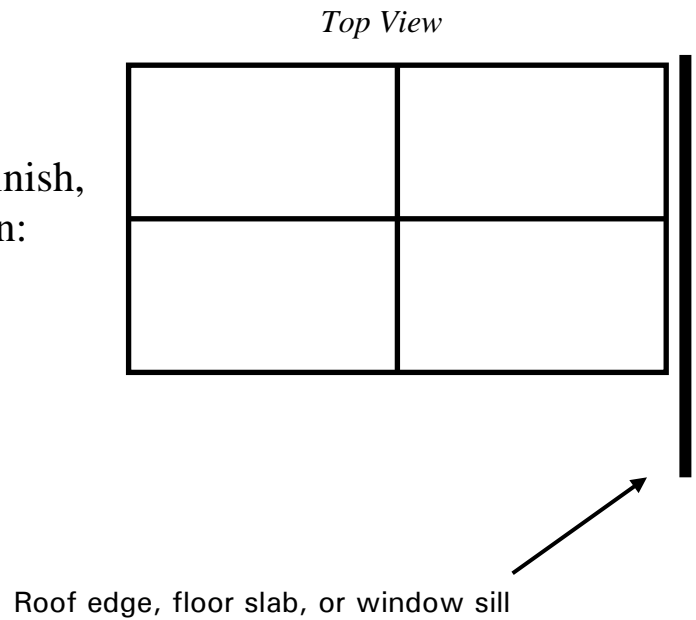
When properly used, the SC-300-cb Roofer Hoist meets the applicable requirements of OSHA Part 1926, Subpart M, Fall Protection.

### **For a more complete understanding of the OSHA Regulations you can:**

- Consult OSHA’s excellent online documentation on the internet: [www.osha.gov](http://www.osha.gov).
- Telephone the OSHA bookstore (206) 553-4270 and order the OSHA Regulations on CD-ROM (price \$53).
- Telephone the OSHA bookstore (206) 553-4270 and order **29 CFR Part 1926** in print (price \$30).
- Some states have their own regulations, which will differ from the U.S. Dept. of Labor’s OSHA regulations.

## 10. PROTECT THE DECK

- To protect the roof membrane or floor finish, arrange four sheets of plywood as shown:



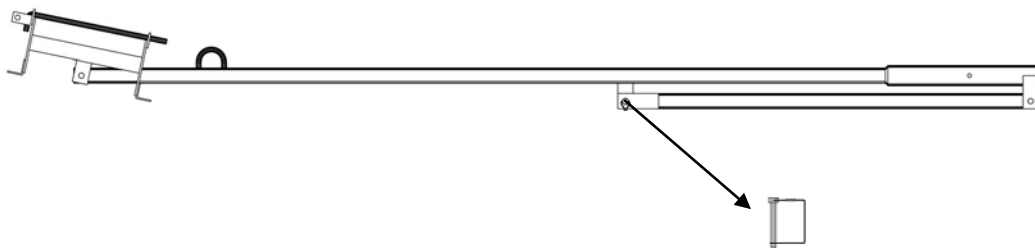
### **WARNING**

- A person can easily fall off of a building if the floor edge they are working near does not offer fall protection safeguards.
- A fall from a height of 6 ft. is enough to seriously injure or kill.
- OSHA requires that fall prevention barriers be at least 42" high, plus or minus 3". Guardrail systems, parapet walls, and window sills may be acceptable fall prevention barriers provided they meet OSHA's height criteria.
- Use a personal fall arrest system (harness and rope, or similar device) when working near a floor edge that does not offer proper fall prevention barrier(s).
- Read and understand the OSHA fall protection regulations (a few of the regulations are provided on the previous page).

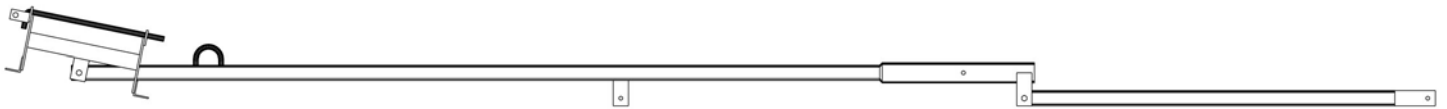
## 11. ASSEMBLE THE FRAME

*A partially assembled frame can be awkward to handle. To prevent a worker from falling off the building, execute this section's instructions at a distance of 15 feet (minimum) from any unprotected edges.*

1. • Unpin the Cross Brace from the Weight Beam.



- 2 • Extend Cross Brace as shown below



### **WARNING**

- The frame may fail when load is applied if the correct pins are not used.
- A falling load can seriously injure or kill.
- Use only the pins supplied with the hoist (see "Pin Information" on next page).
- To prevent pin loss, store the pins on the unit.
- Order replacement pins from Superchute Ltd.

### Pin Information

- 8 pins are required to assemble and use the FRAME.
- 2 pins are required to assemble and use the FISHPOLE.
- 2 spare pins (5/16" diameter) are provided with every Frame.

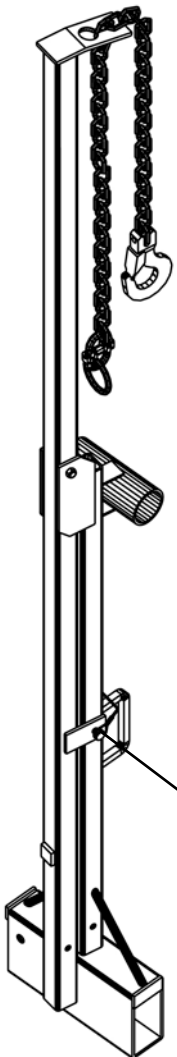
- All the pins are identical,

- Diameter: 5/16"
- Overall Length: 3"
- Usable Length: 2½"

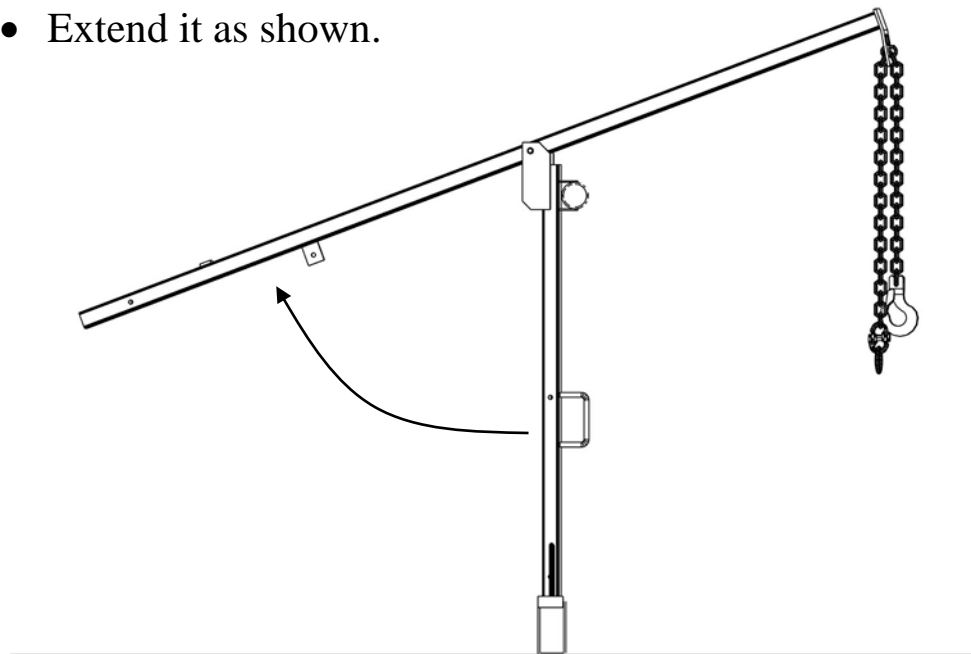
except for 2 larger pins that are used to secure the Toeboard.

### Toeboard Pin Dimensions:

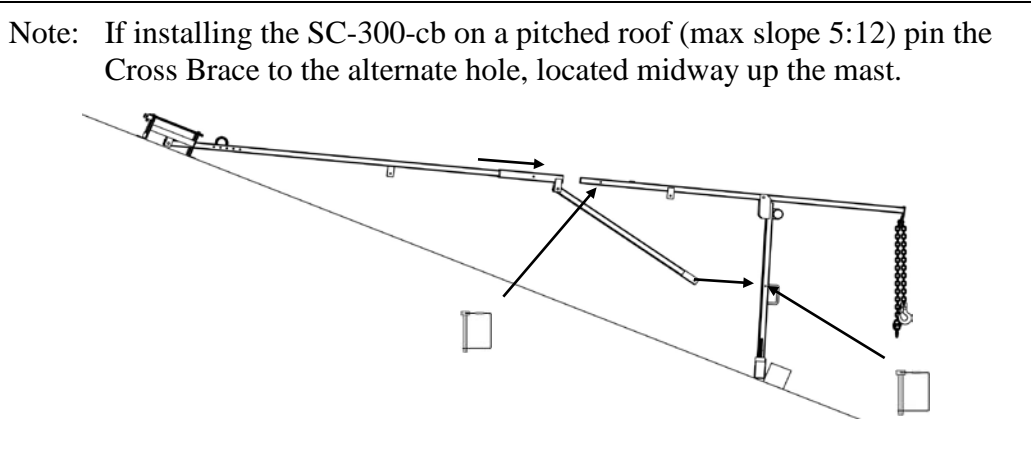
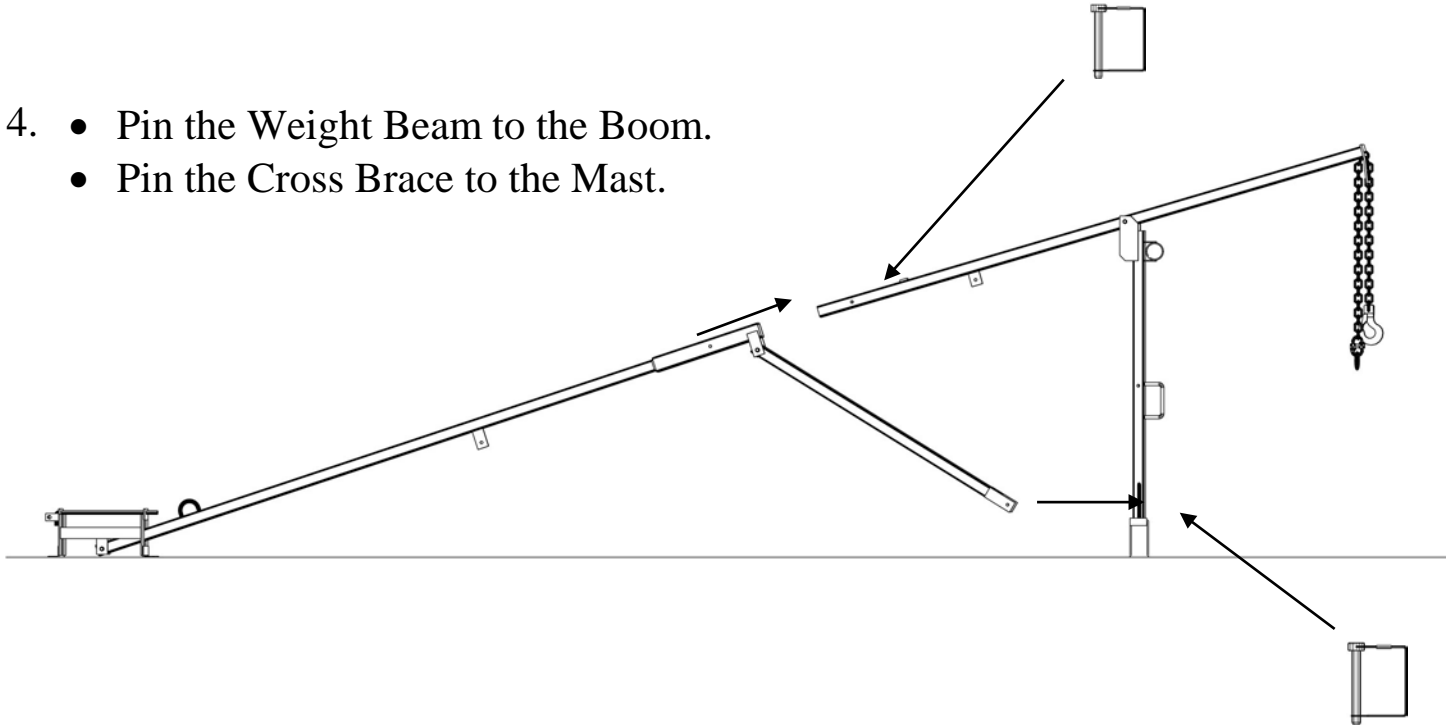
- Diameter: ½"
- Overall Length: 5"
- Usable Length: 3½"



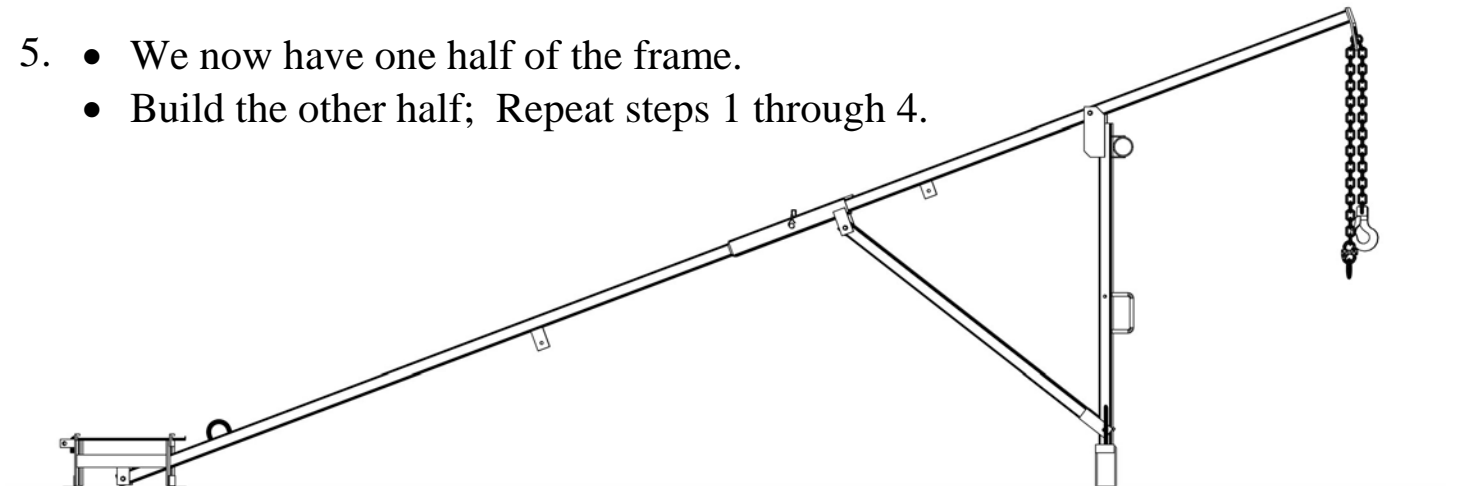
3.
  - Hold a Mast in the upright position.
  - Release the Boom by unpinning it.
  - Extend it as shown.



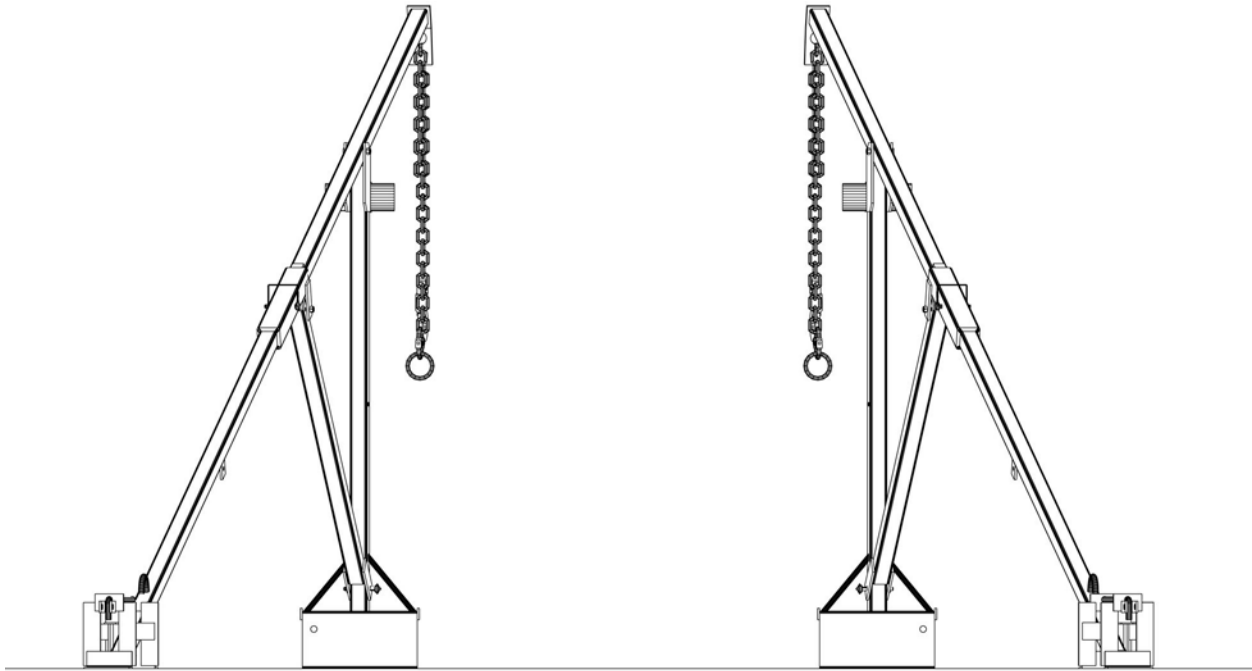
4. • Pin the Weight Beam to the Boom.  
• Pin the Cross Brace to the Mast.



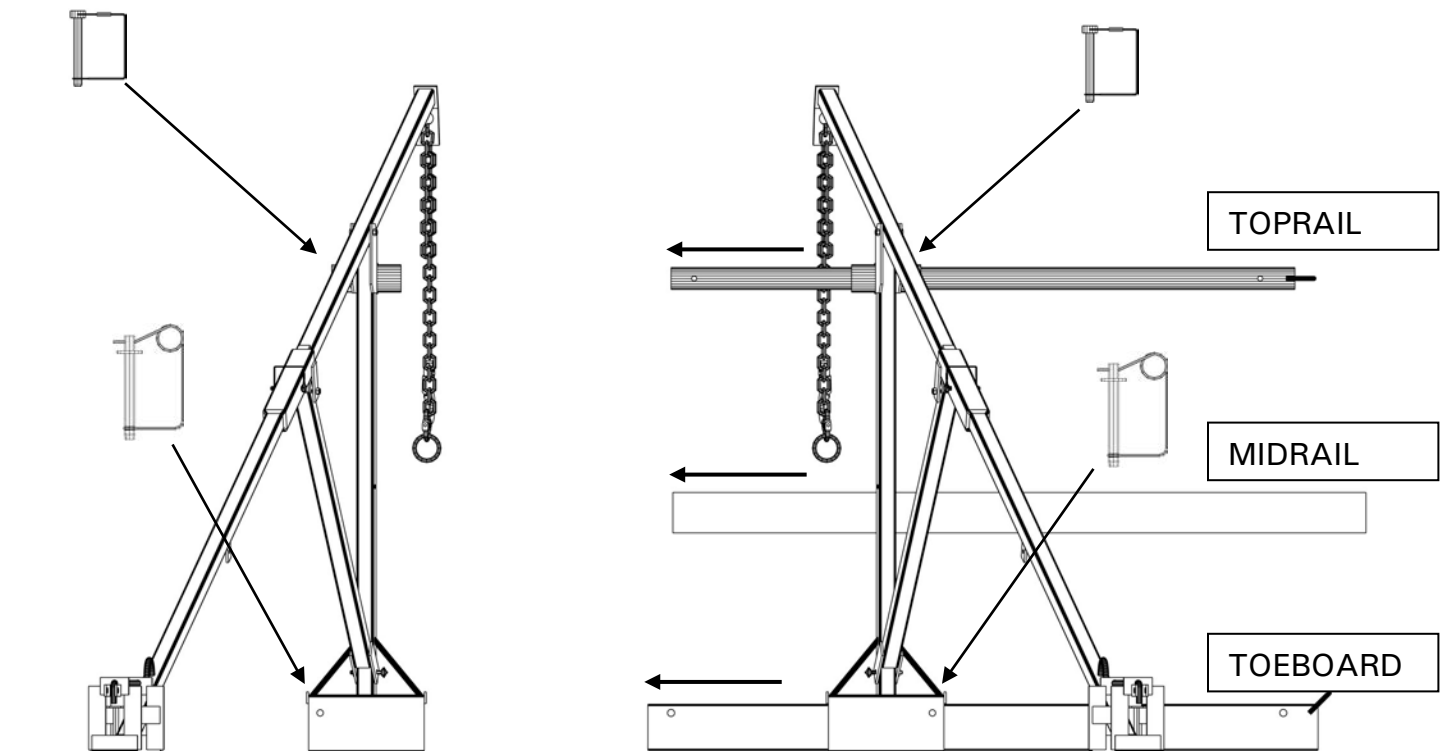
5. • We now have one half of the frame.  
• Build the other half; Repeat steps 1 through 4.







6. • Place the two half frames side by side.

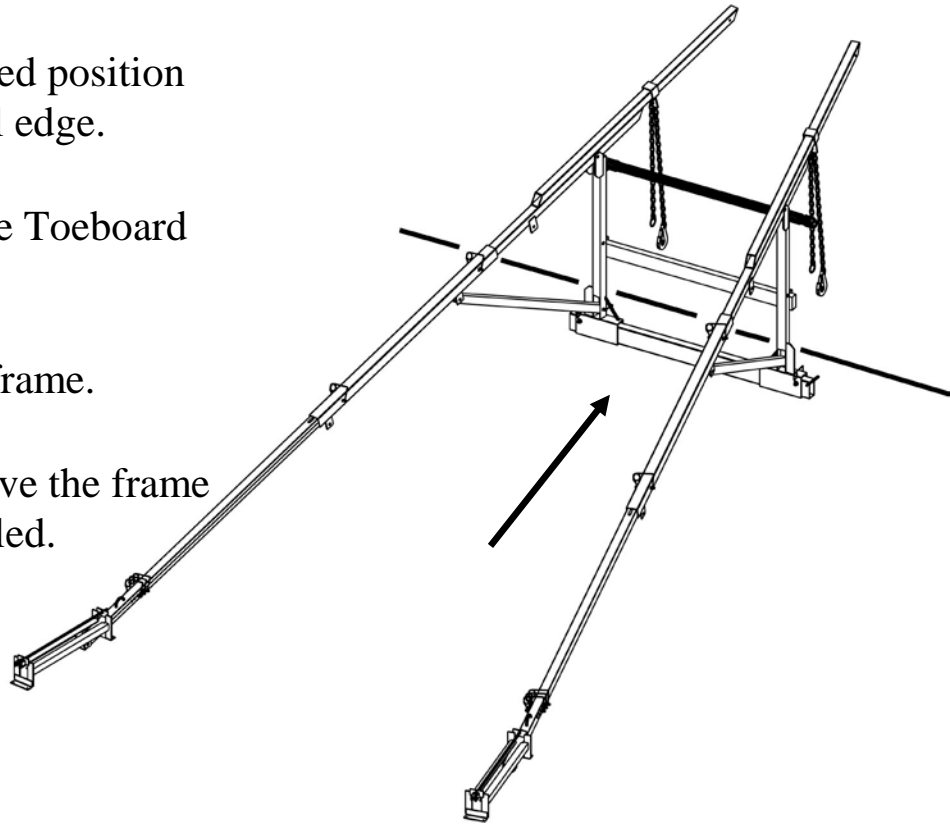


7. • Use the Toprail and Toeboard to join the half-frames.  
 • Pin the Toprail using 5/16" pins. Pin the Toeboard with 1/2" pins.  
 • To prevent falls between the Toprail and Toeboard OSHA requires a Midrail.  
 • Meet this regulation by installing a 5 ft. long 2" x 4" wood stud between the masts.

## 12. POSITION, ANCHOR, & TIE-BACK THE FRAME

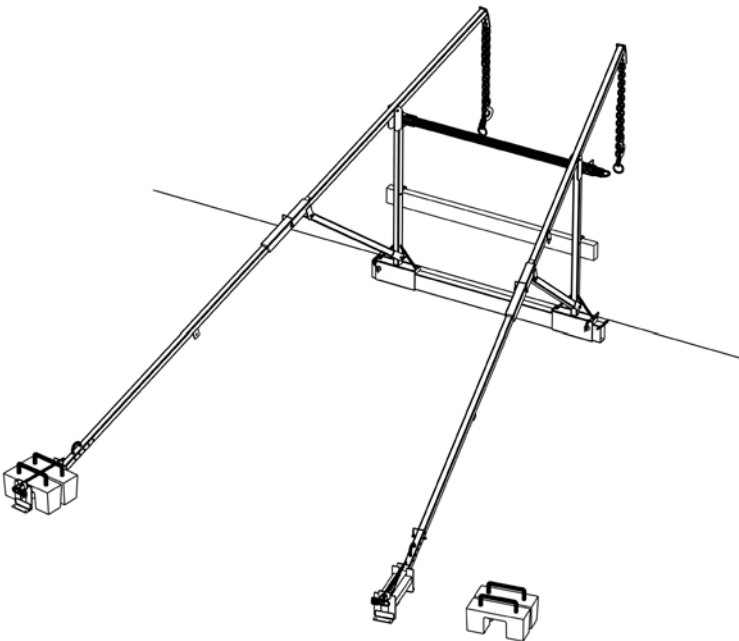
### 1. POSITION THE FRAME

- Shift the frame to the desired position near the roof, floor, or wall edge.
- Leave a 6” gap between the Toeboard and the roof edge.
- Adjust the position of the frame.
- You will not be able to move the frame once the weights are installed.



### 2. ANCHOR THE FRAME

- Place 2 counterweights in each weight carriage.
- In total there should be 4 cast iron weights (55 lb. each) on the hoist.
- Always install all of the weights.
- Pass the weight retaining rods through the handgrips.
- Use the 2 supplied padlocks to lock the retaining rods and prevent weight removal.



### 3. TIE-BACK THE FRAME

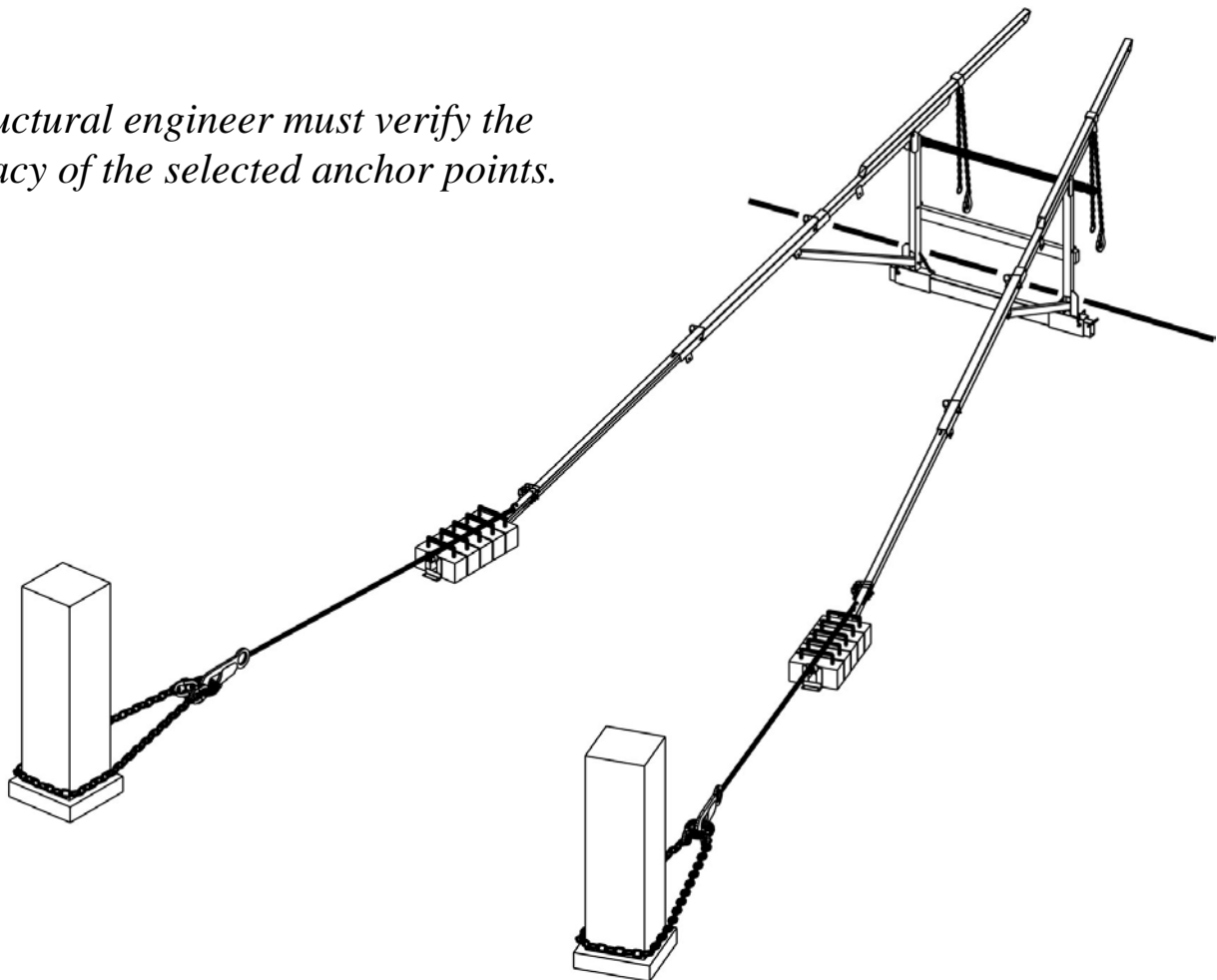
Tie-back the hoist frame to the building to prevent it from being dragged or pulled off the building in the event of a blockage.

Secure the hoist frame to the building by attaching a length of 5/8" nylon rope or 5/16" wire rope to each of the tie loops located on the Weight Beams.

Affix these two tie-backs to suitable structural members of the building (portions of the building structure, and window cleaning anchors are usually adequate, while roof vents, air conditioners, and parapets are usually not adequate). Avoid tying or running the rope over any sharp surfaces. DO NOT tie back to anchors that will be used concurrently by personal fall arrest systems.

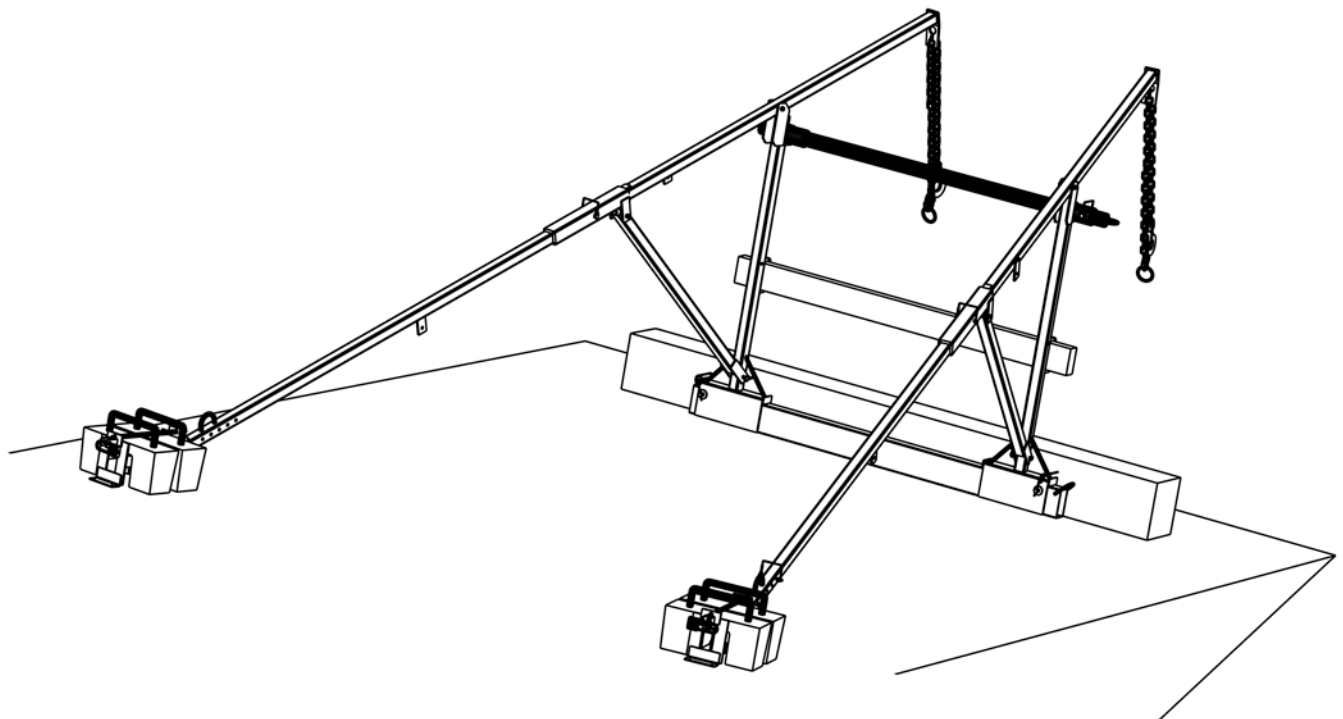
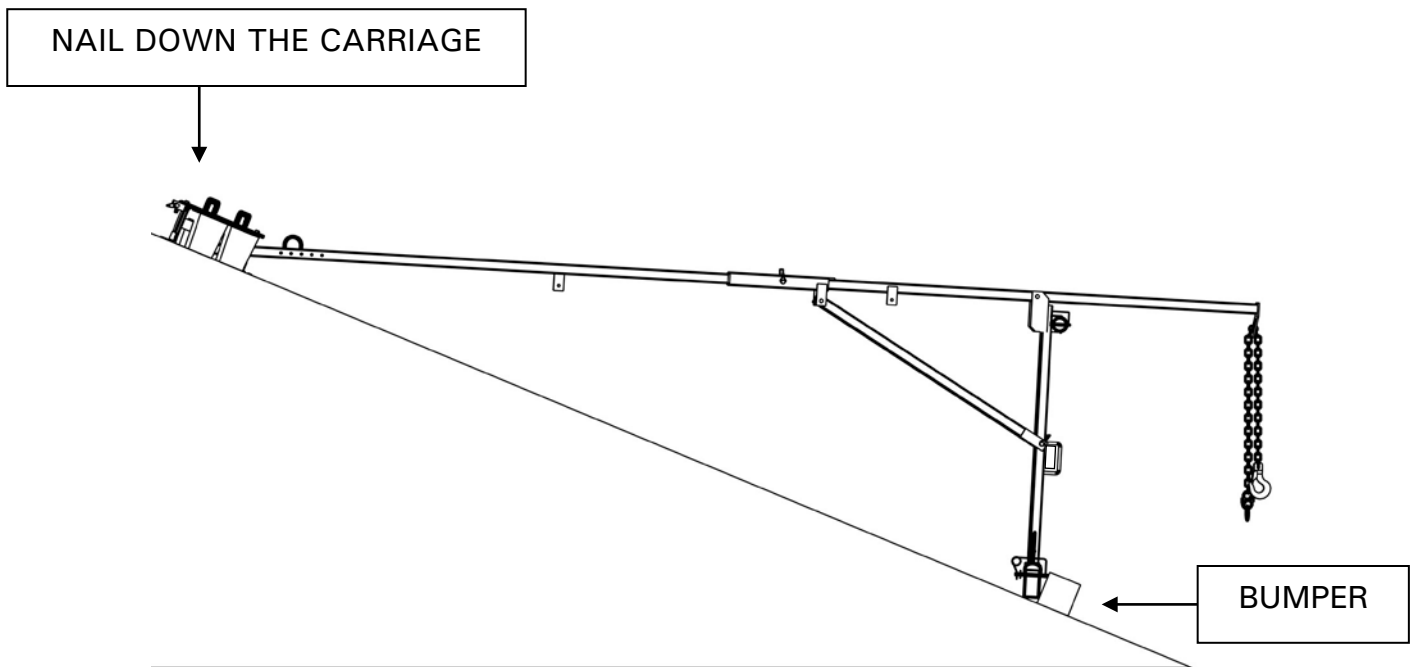
- **Nylon Rope:** install snug, using recognized safety knots (eg. figure eight).
- **Wire Rope:** install snug, using proper hooks and fittings.
- **Tie Back Kits:** are available from Superchute® for quicker & safer tie-backs.

*A structural engineer must verify the adequacy of the selected anchor points.*



4. If the hoist will be installed on a sloped roof, two additional steps must be taken:

- a) Nail the weight carriages to the roof
- b) Fasten a substantial bumper in front of the Toeboard

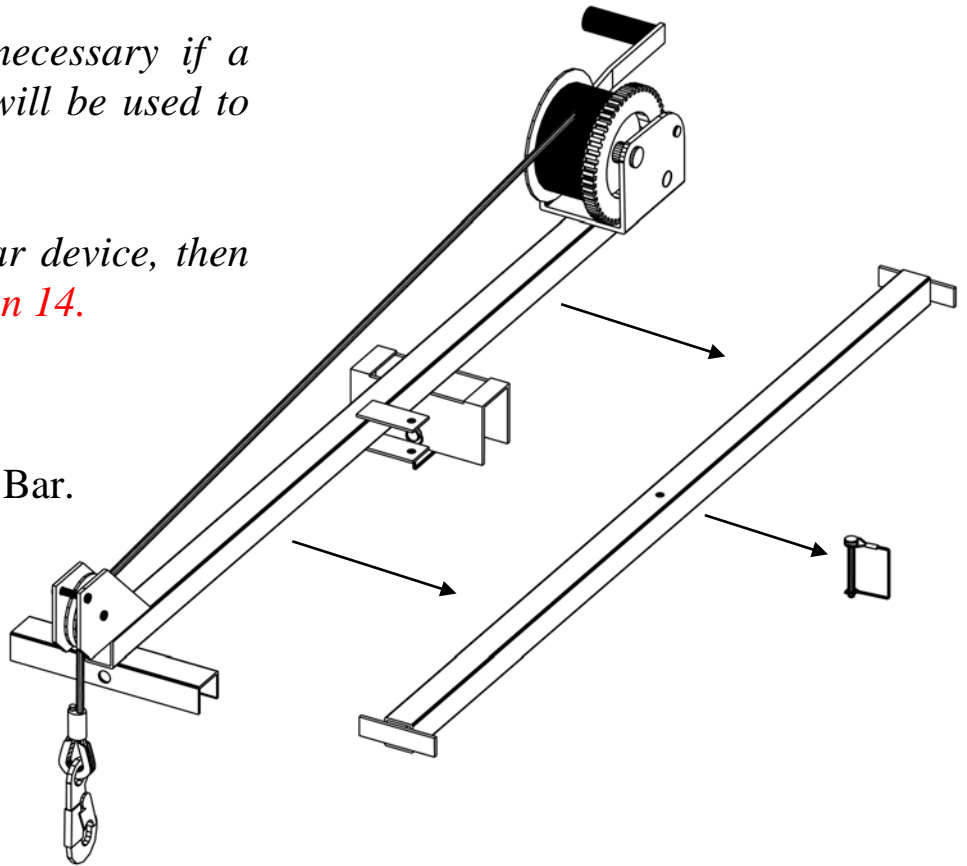


### **13. PREPARE & INSTALL THE FISHPOLE (if applicable)**

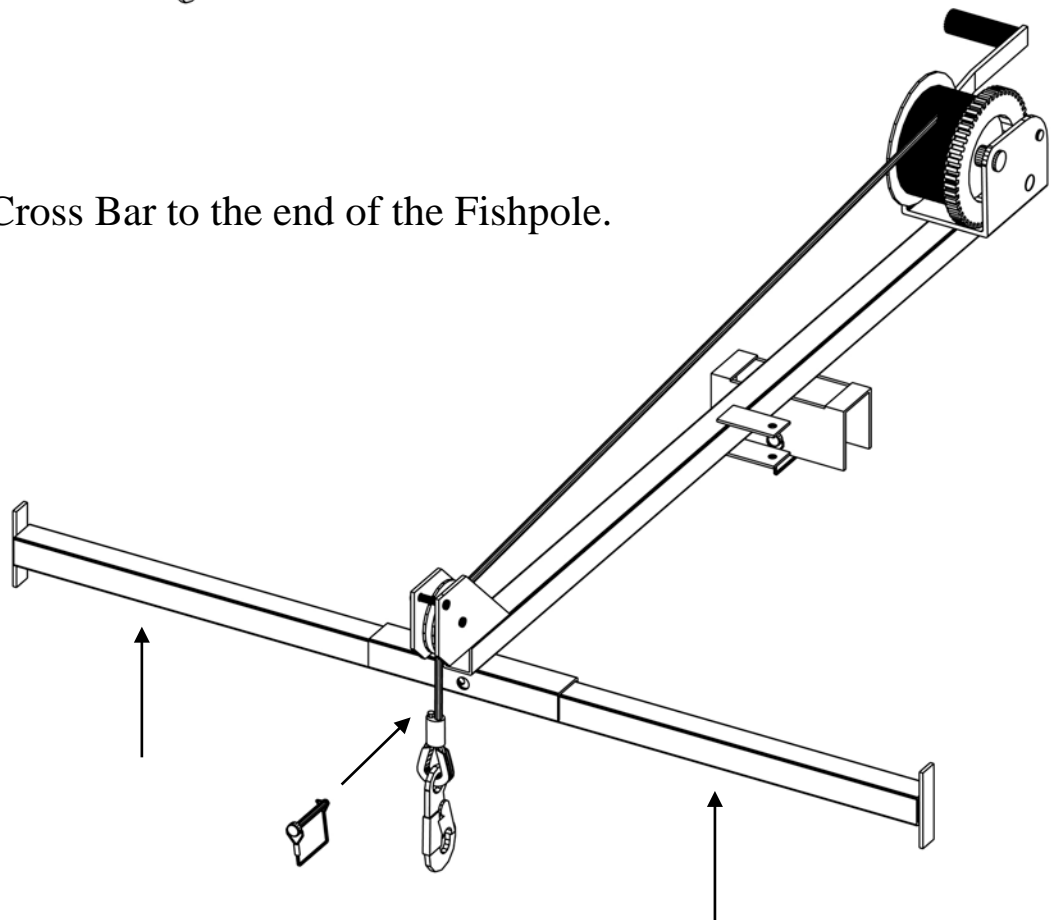
*The Fishpole will be unnecessary if a crane, or similar device, will be used to lift the chute.*

*If using a crane, or similar device, then please go directly to **Section 14.***

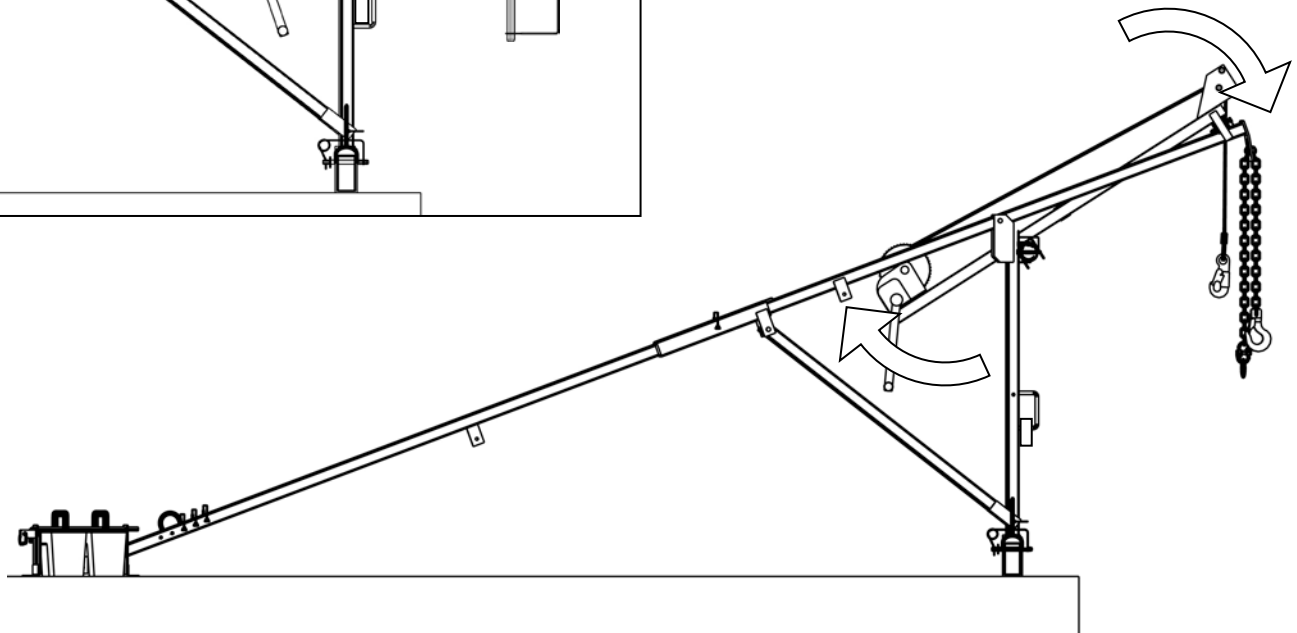
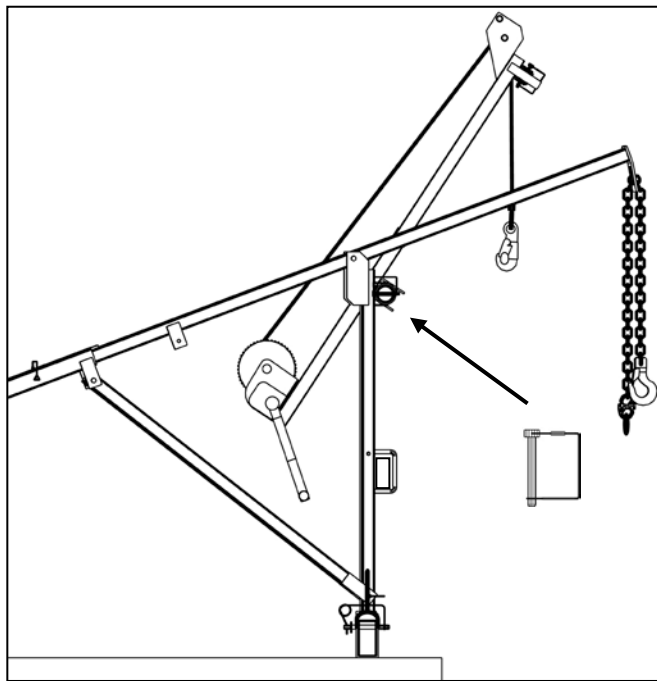
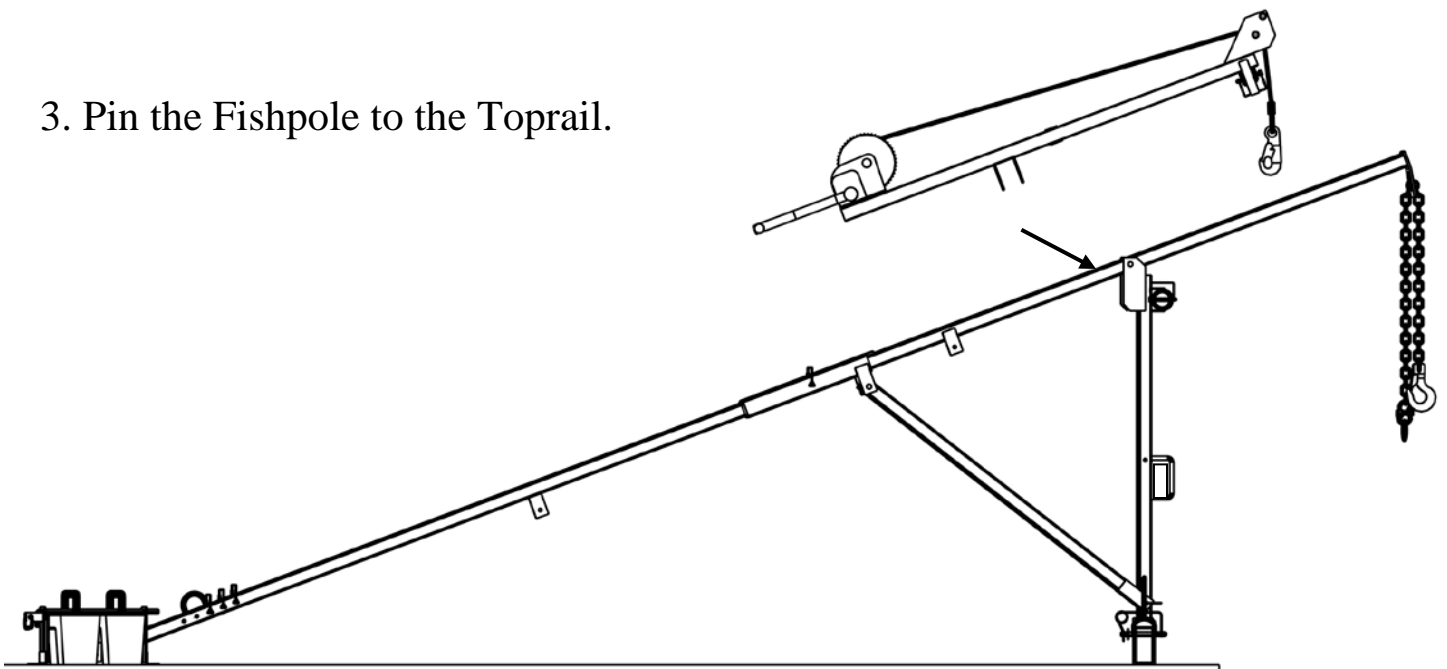
1. Release the Outer Cross Bar.



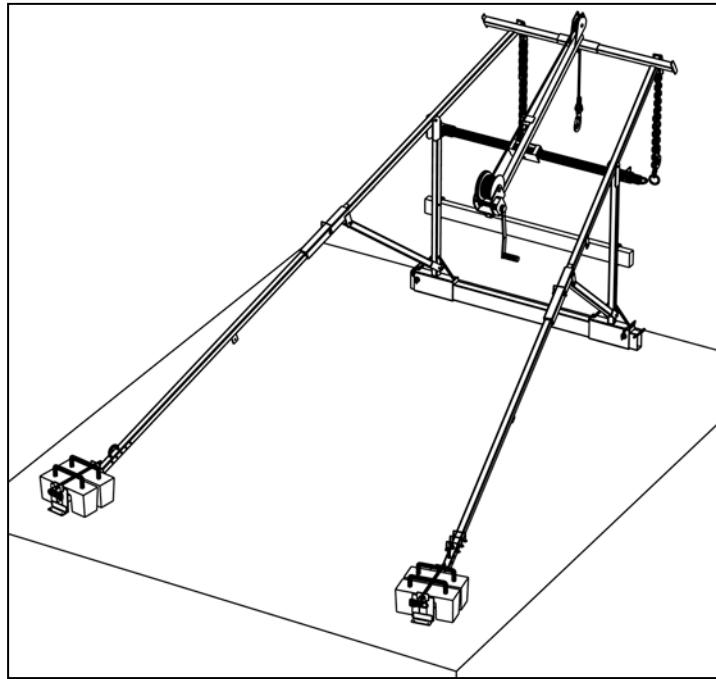
2. Pin the Outer Cross Bar to the end of the Fishpole.



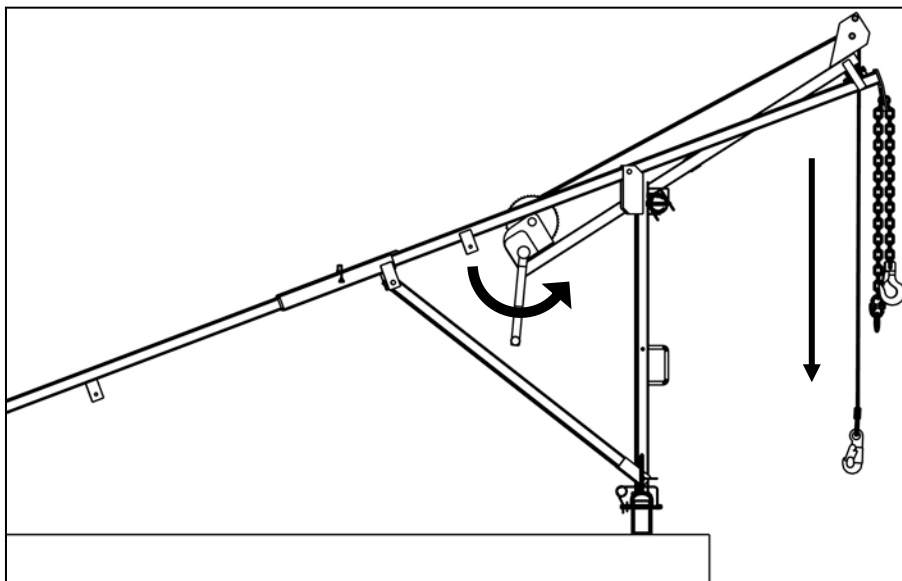
3. Pin the Fishpole to the Toprail.



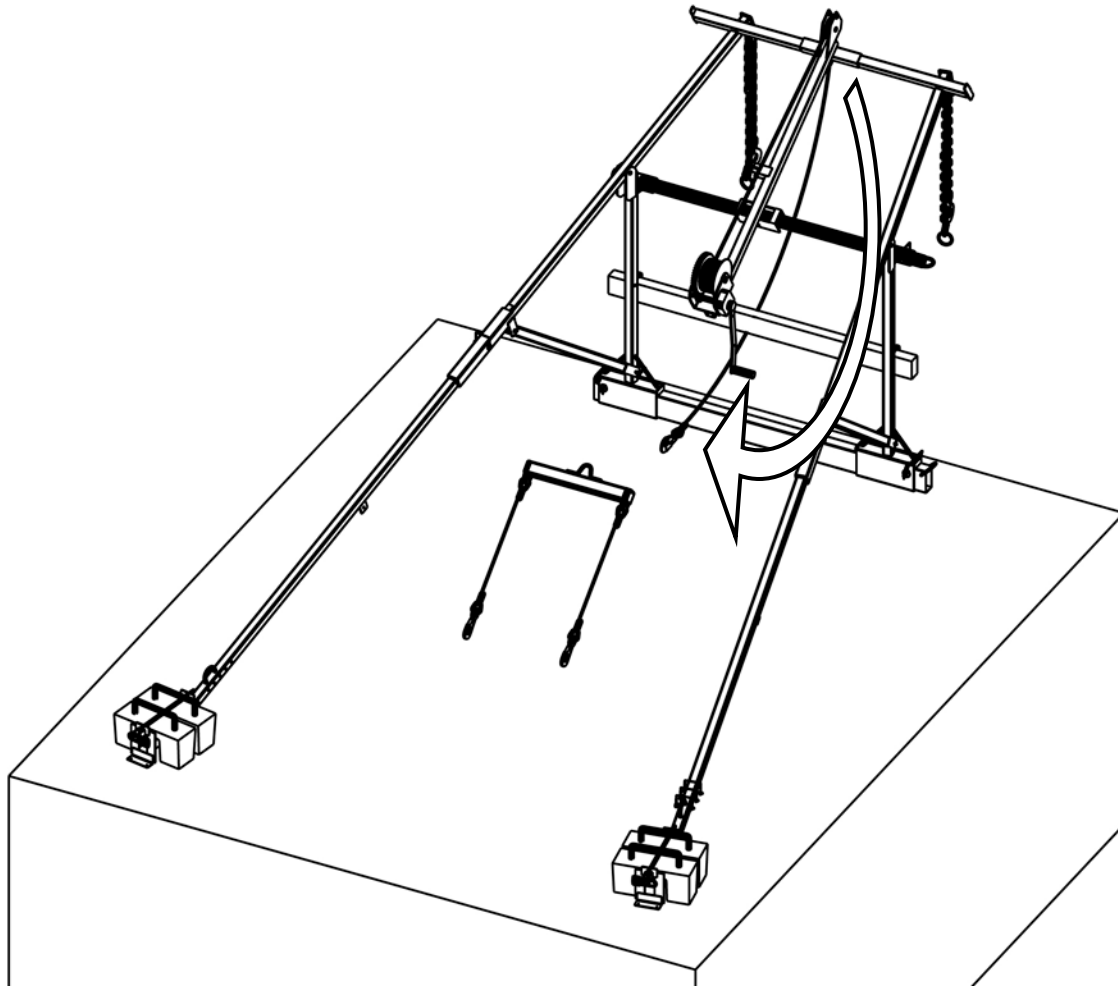
4. The Fishpole is installed as shown.



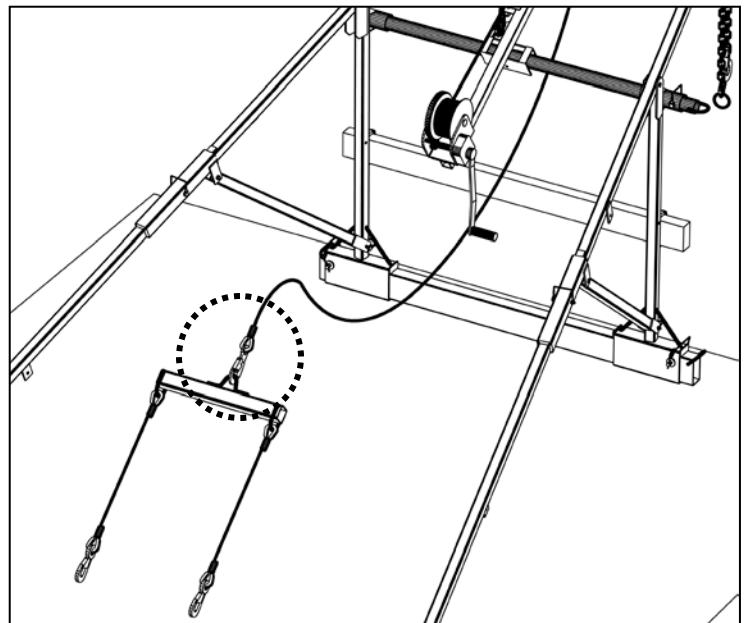
- 5.
- Turn the winch handle in a counter-clockwise direction to lower a few feet of cable. As the cable unspools, check it for wear and tear. If it is frayed or kinked, postpone the installation and order a new cable from Superchute Ltd.
  - Never substitute the cable (3/16" diameter - 7 x 19 construction) for another size or strand design.



6. Use a stick, pole, broom, or some other long instrument, to bring the cable onto the deck.

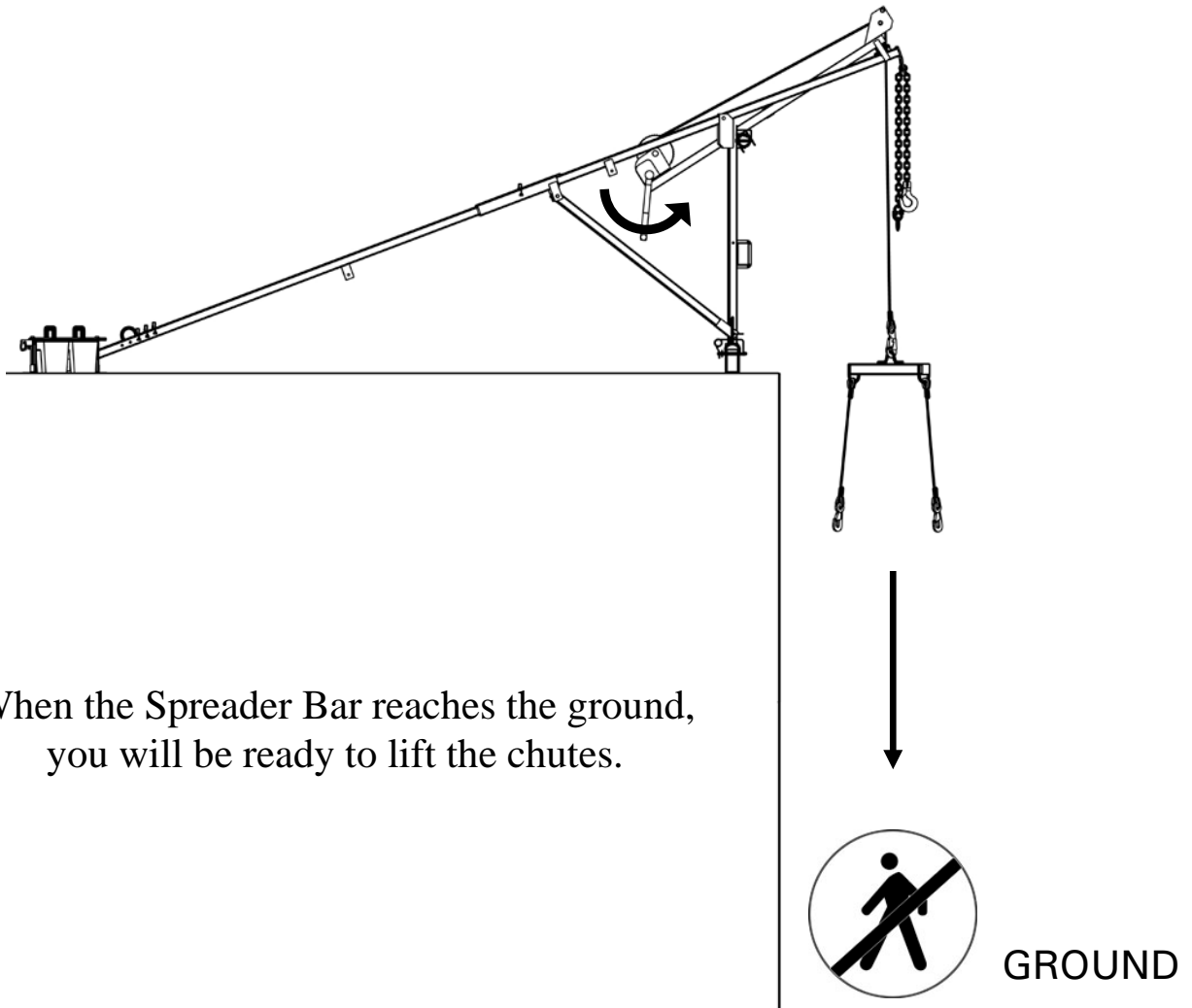


7. Attach the cable's hook to the Spreader Bar.





8. • Lower the Spreader Bar to the ground.  
• Continue checking cable for wear & tear.

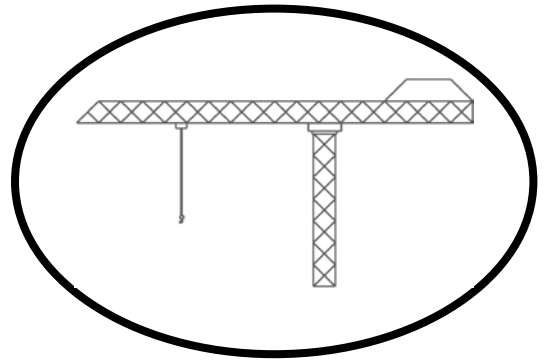


## WARNING

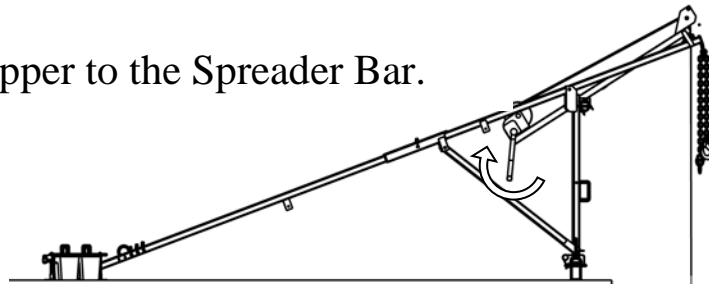
- The Spreader Bar can descend quickly.
- If the descending Spreader Bar were to hit a worker or bystander it could seriously injure or kill.
- Ensure the area below the hoist is clear of workers and bystanders while the Spreader Bar is descending.

## 14. HOIST THE CHUTES INTO PLACE

Although the following sketches show the Fishpole in use, other lifting devices, such as cranes, material hoists, or boom lifts, may be appropriate as long as they can safely manage the chute load. All lifting devices require the procedure shown in this section.

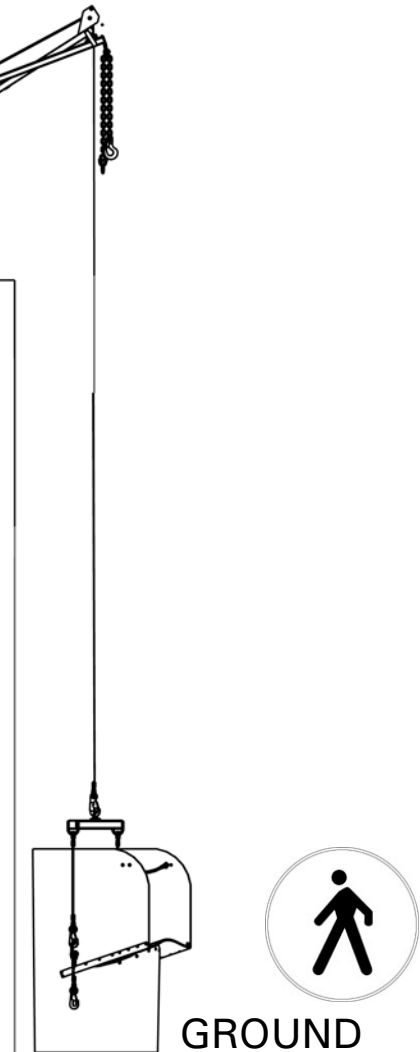
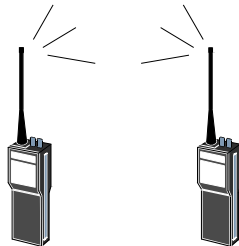


Attach the Top Hopper to the Spreader Bar.



### Communication:

Ground-level workers and hoist level-workers should use 2-way radios (walkie-talkies) to communicate with each other.

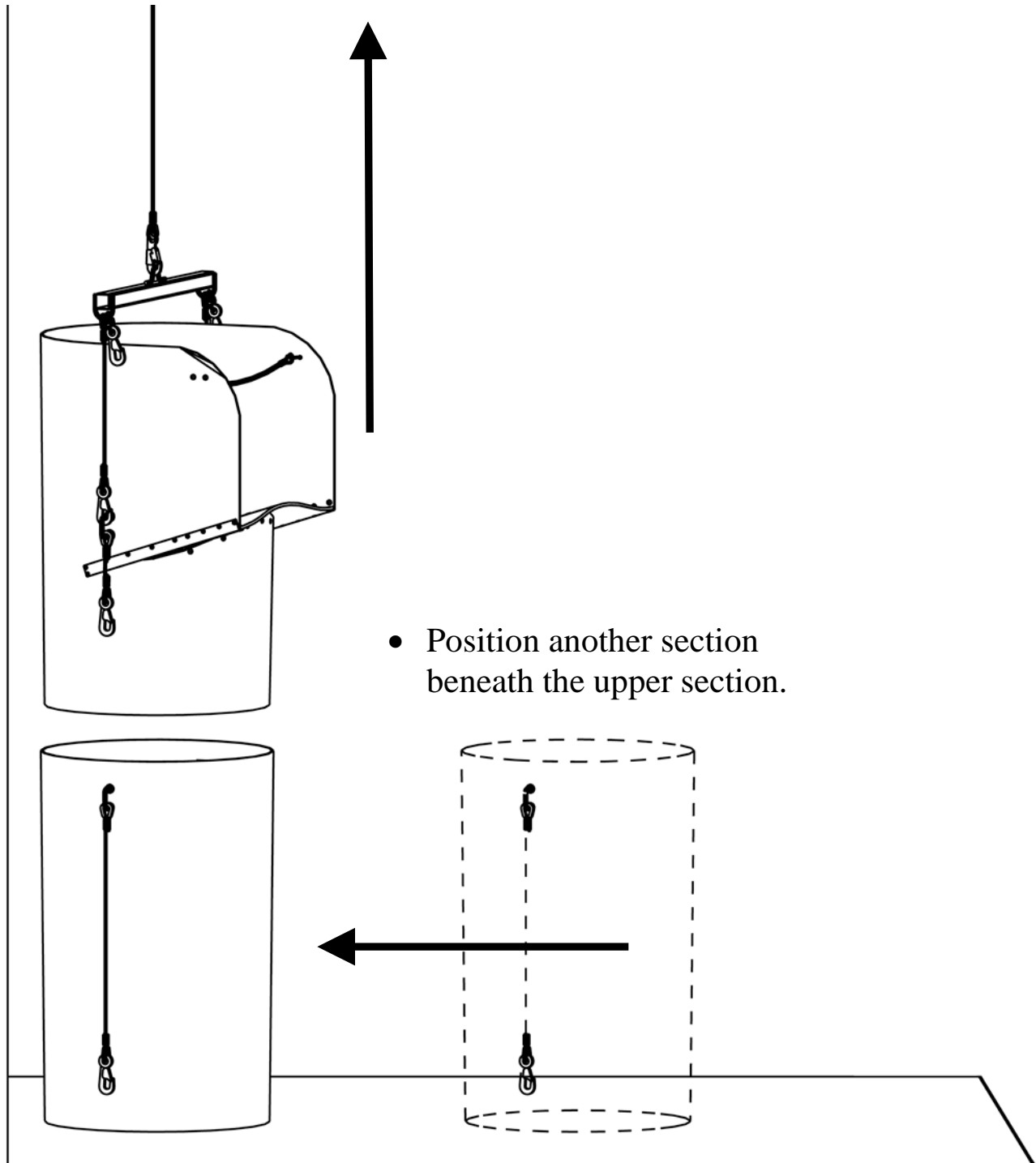


# WARNING

- GROUND WORKERS MUST WEAR HARDHATS

# HOIST THE CHUTES INTO PLACE (continued)

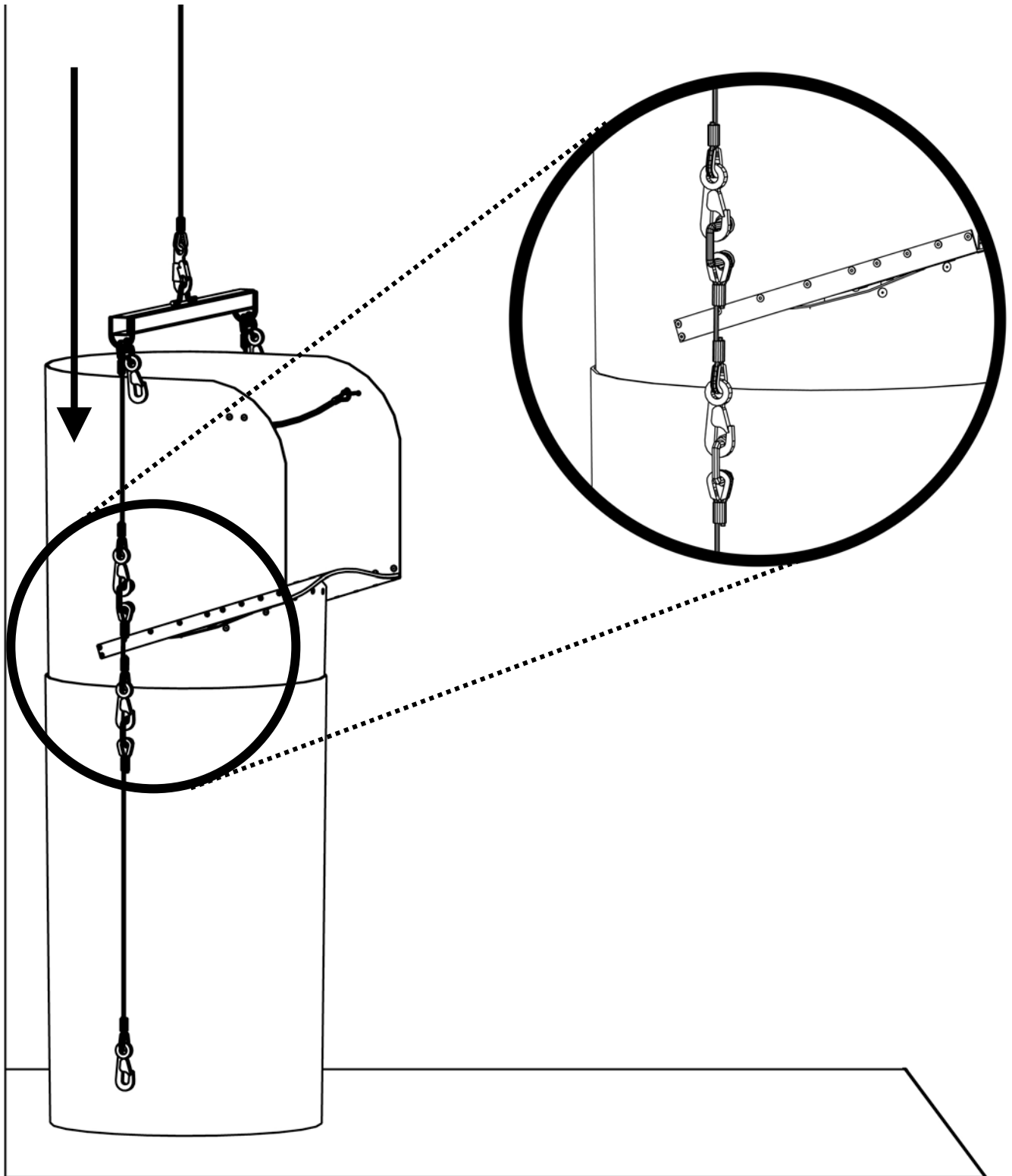
- Raise the section 4 feet.



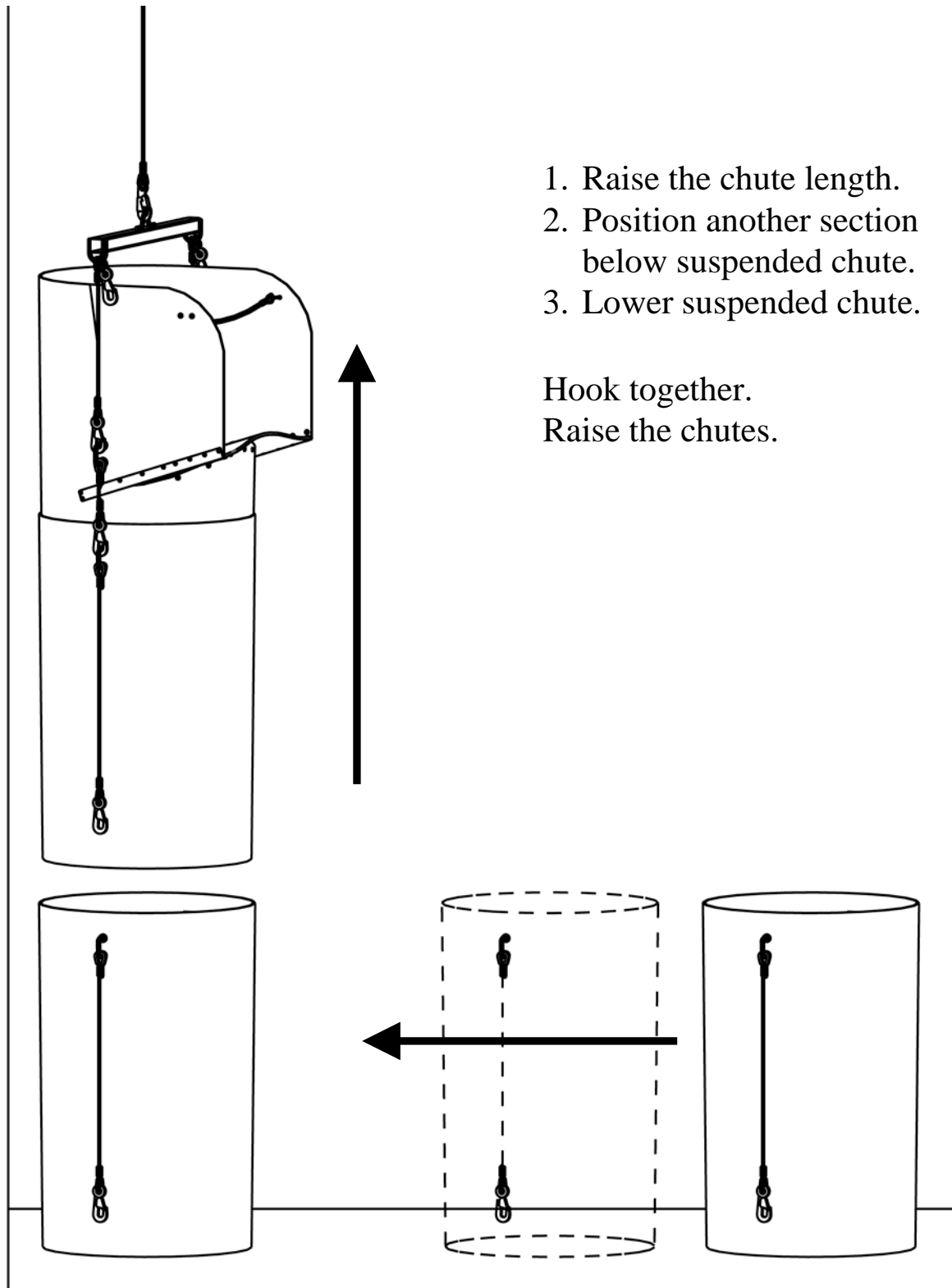
- Position another section beneath the upper section.

## HOIST THE CHUTES INTO PLACE (continued)

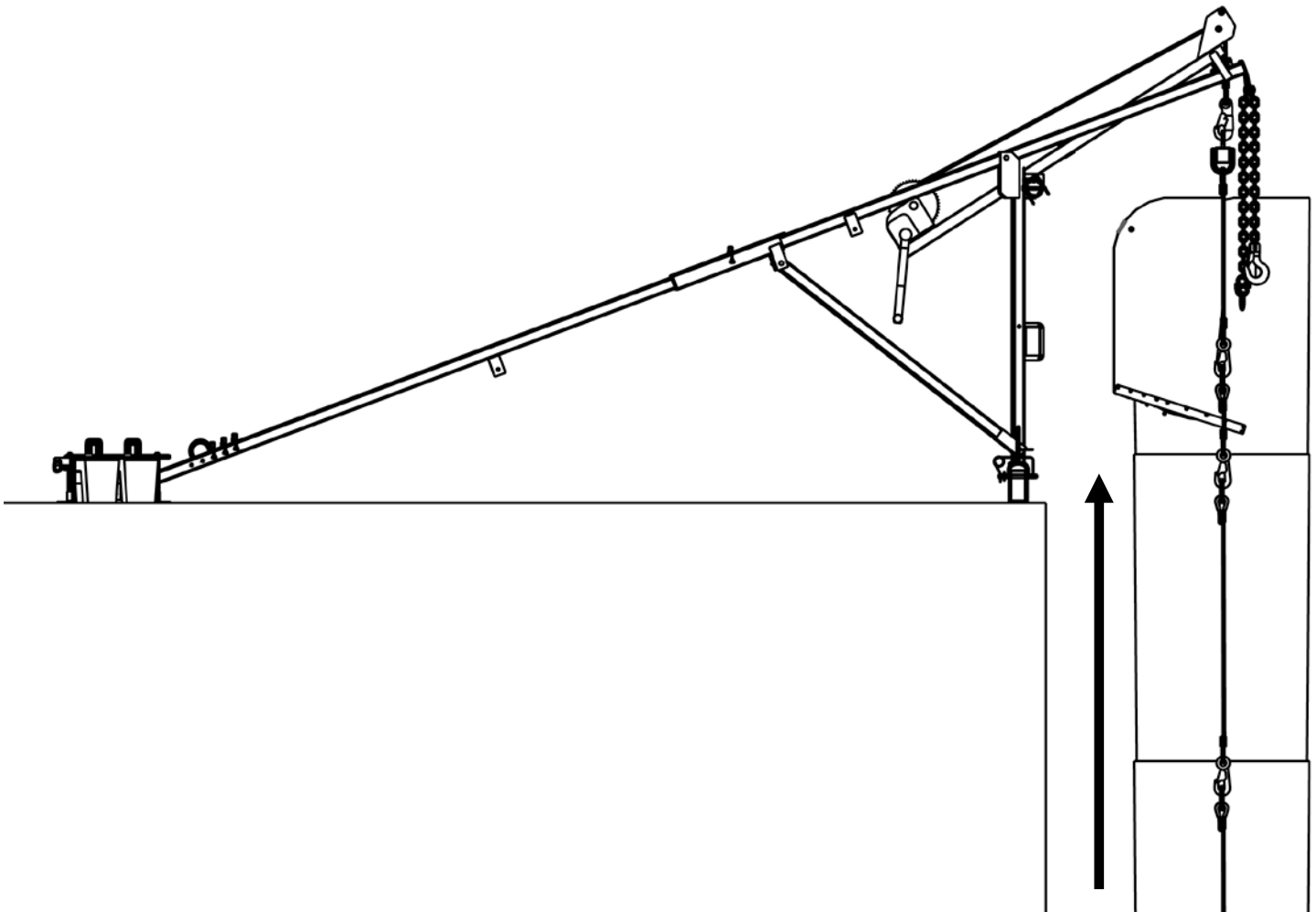
- Lower the suspended section into the section beneath it.
- Connect the two sections with the upper section's cable assemblies.



# HOIST THE CHUTES INTO PLACE (continued)



Repeat the last step until the Top Hopper arrives at the hoist level.



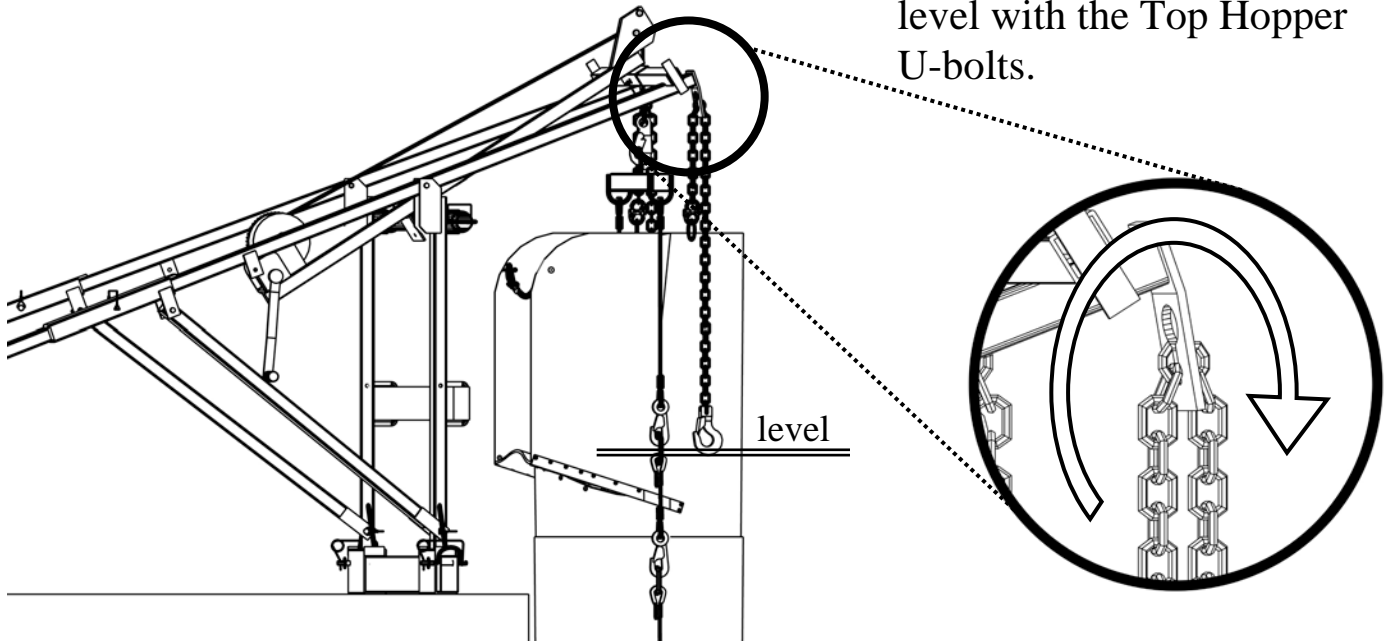
## WARNING

- The SC-300-cb Roofer Hoist is designed to safely lift, support, and lower a chute load weighing up to 300 lb.
- The hoist frame and/or Fishpole may fail if more than 300 lb. is applied.
- A falling chute system can seriously injure or kill.
- Do not overload the hoist frame or the Fishpole.
- Use the information in **Sections 7 & 8** to calculate the maximum number of Superchute® sections you can safely lift, suspend, & lower per frame.

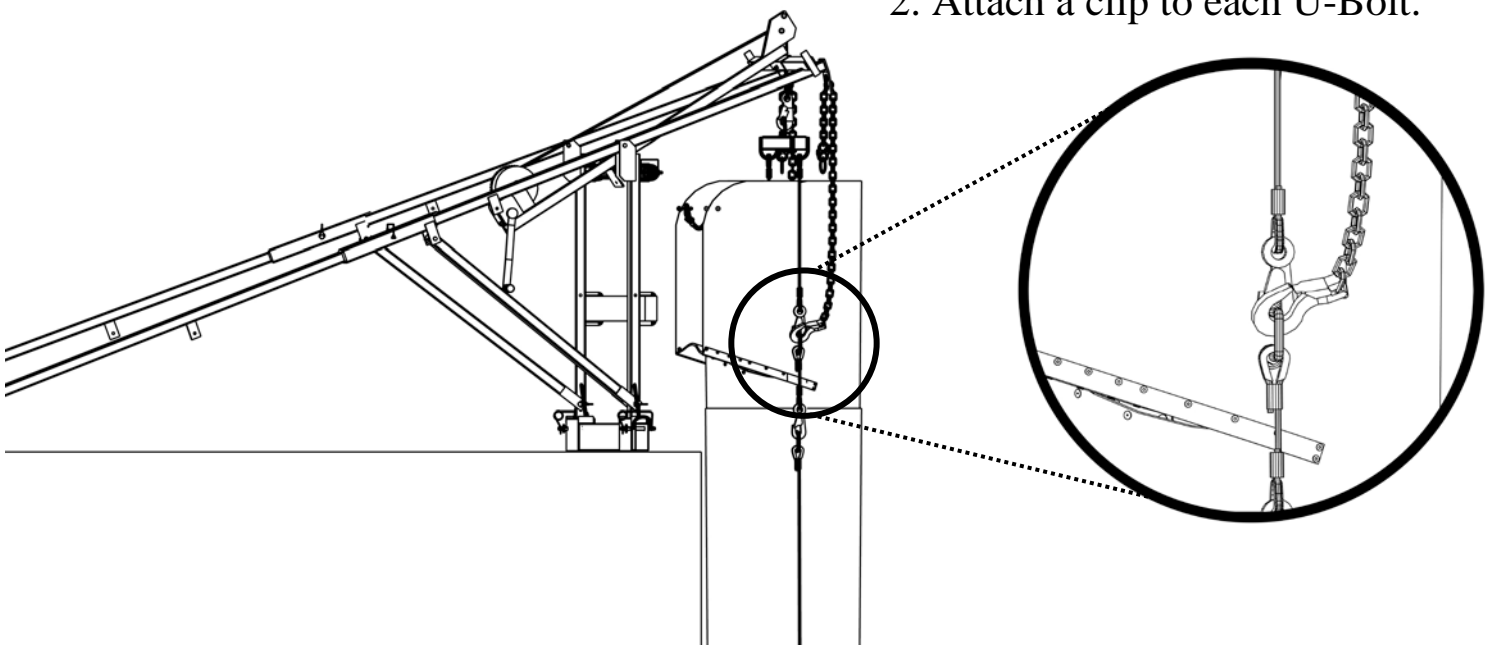
## 15. TRANSFER THE CHUTE LOAD FROM THE LIFTING DEVICE TO THE BOOM CHAINS

*Although the following sketches show the Fishpole in use, other lifting devices, such as cranes, material hoists, or boom lifts, may be appropriate as long as they can safely manage the chute load. All lifting devices require the procedure shown in this section.*

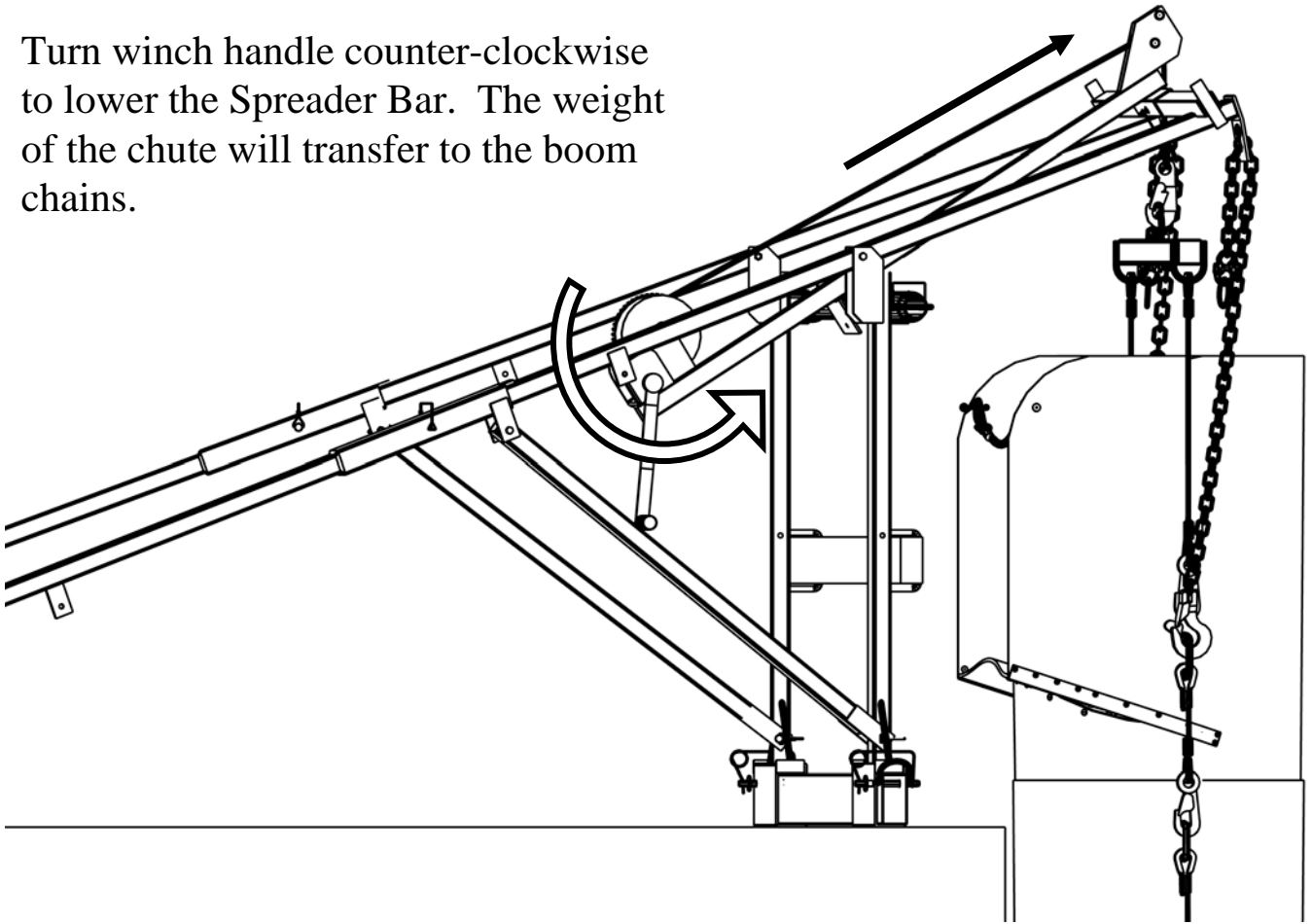
1. Adjust chains through the keyholes until the clips are level with the Top Hopper U-bolts.



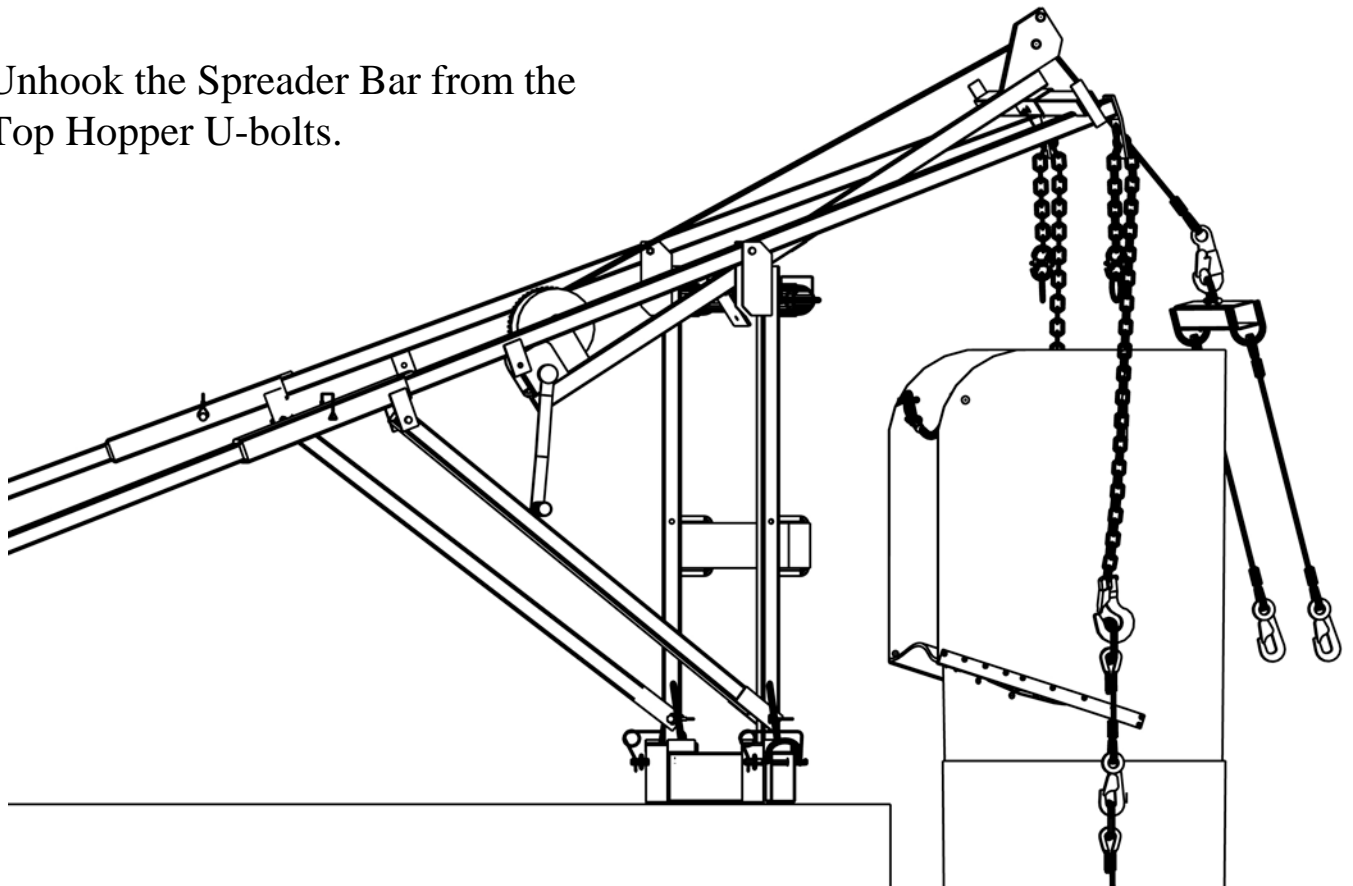
2. Attach a clip to each U-Bolt.



4. Turn winch handle counter-clockwise to lower the Spreader Bar. The weight of the chute will transfer to the boom chains.



5. Unhook the Spreader Bar from the Top Hopper U-bolts.

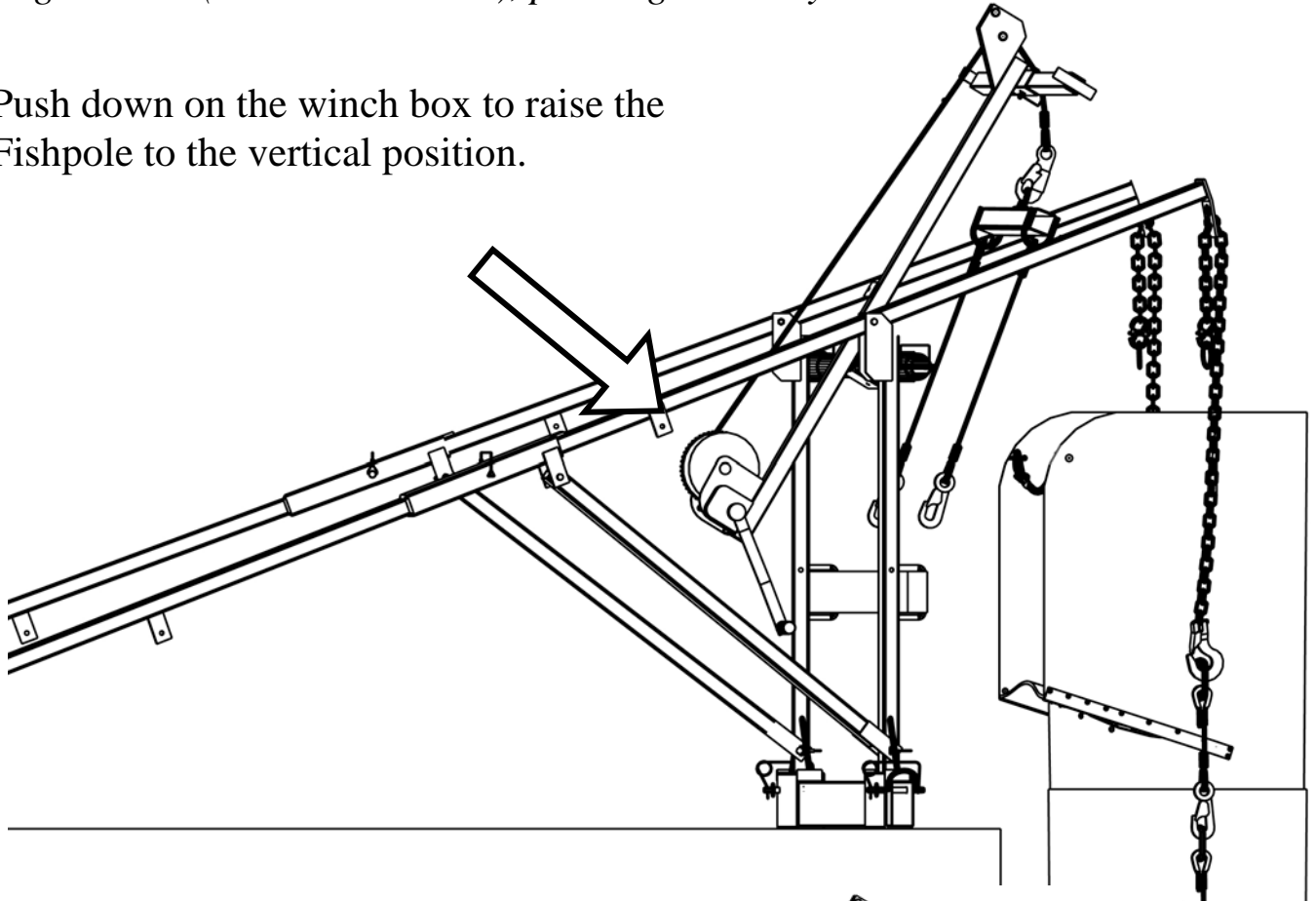




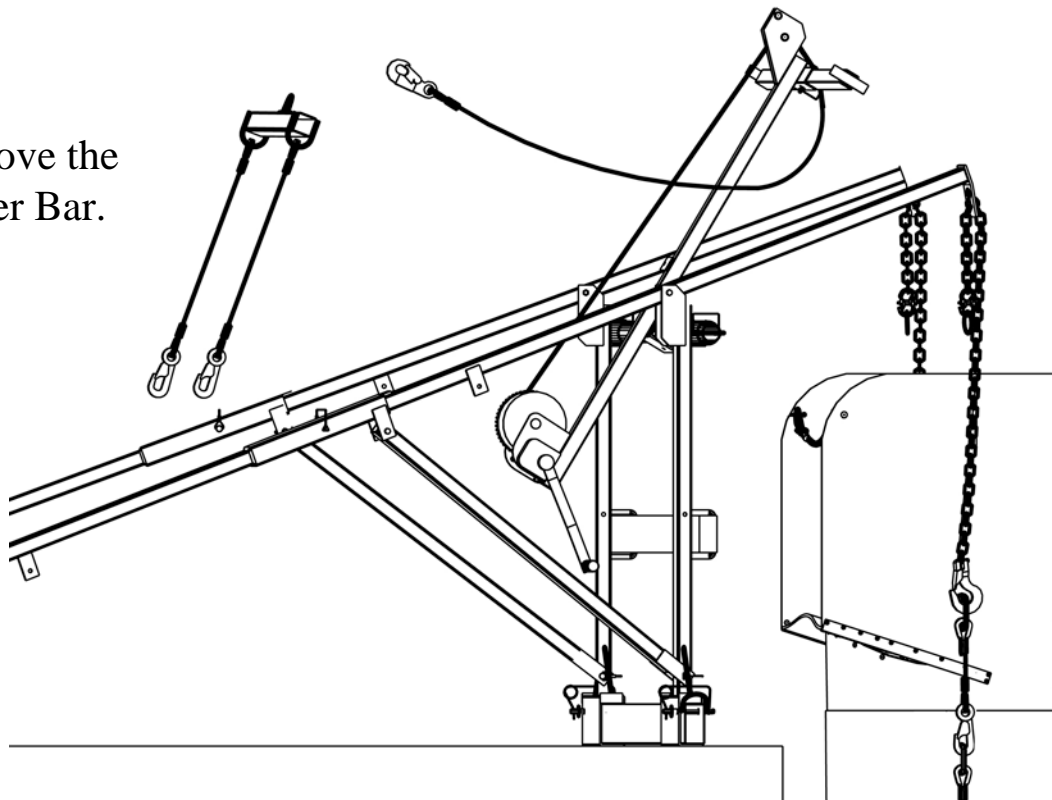
## 16. REMOVE THE FISHPOLE (if applicable)

*If using a crane (or similar device), please go directly to Section 15.*

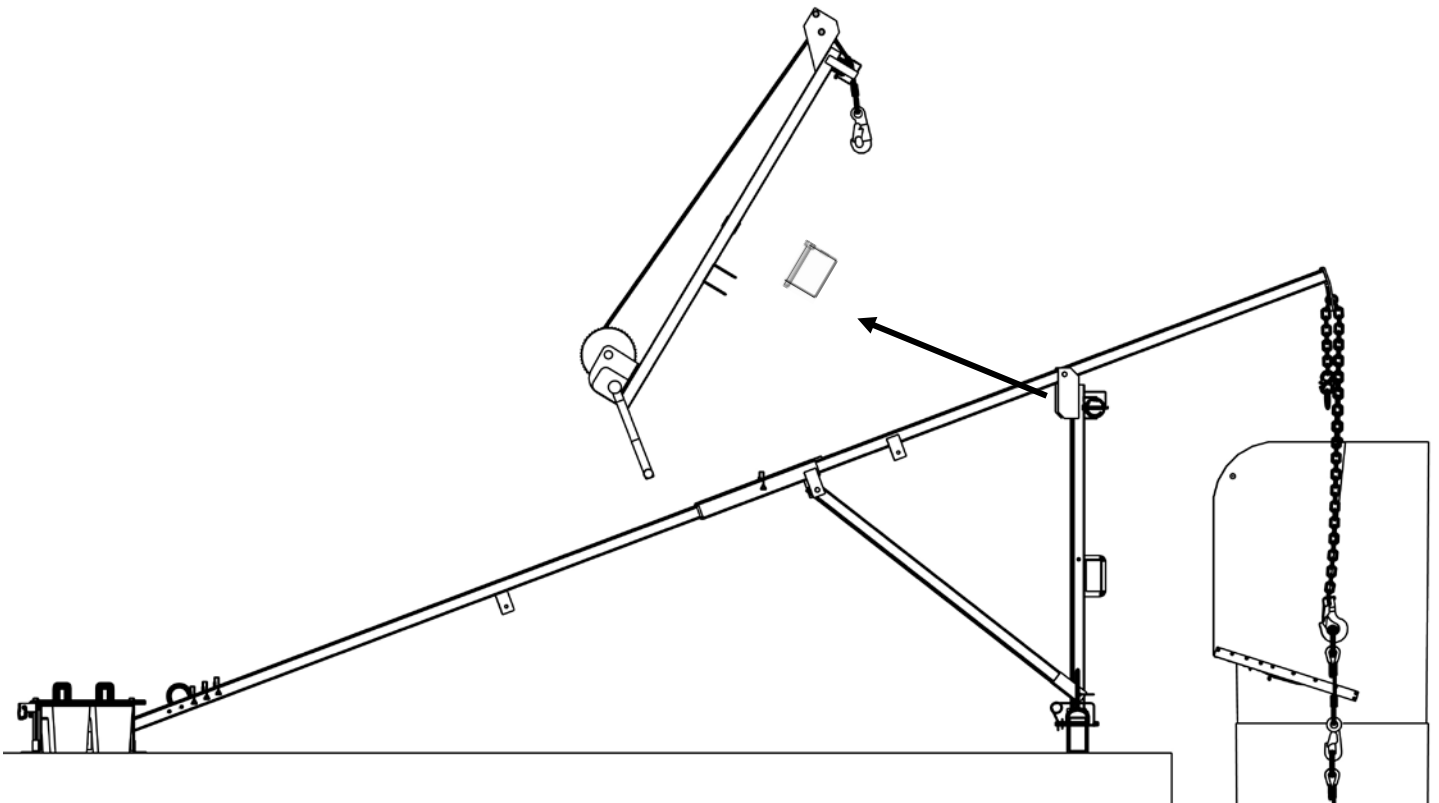
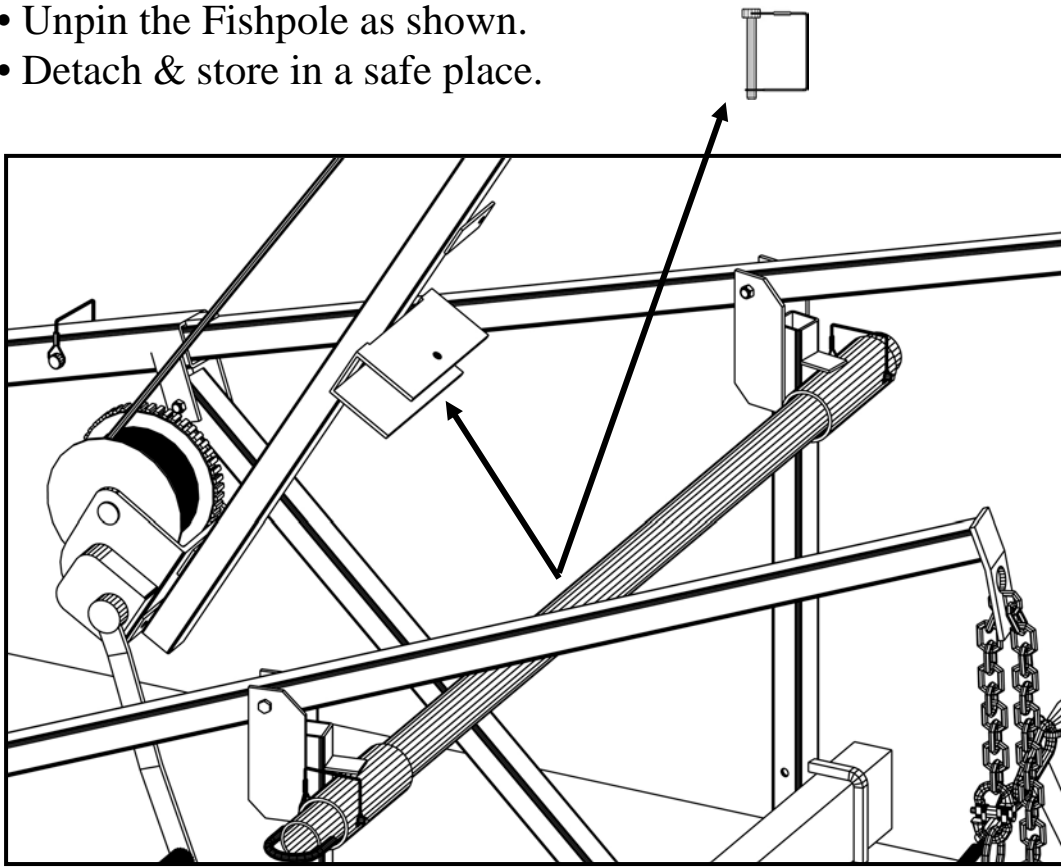
1. Push down on the winch box to raise the Fishpole to the vertical position.



2. Remove the Spreader Bar.

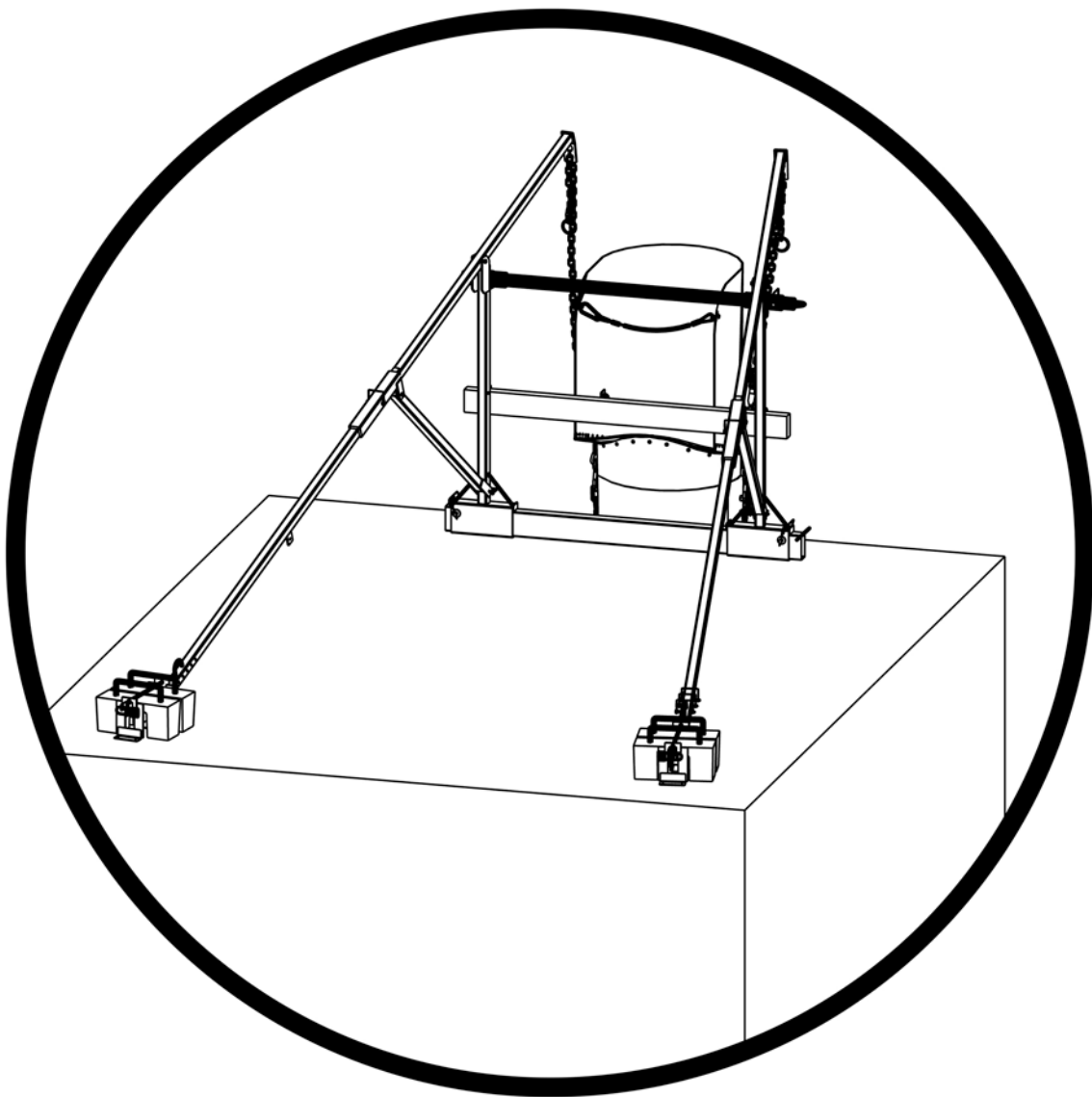


3. • Unpin the Fishpole as shown.  
• Detach & store in a safe place.



## 17. CONGRATULATIONS!

*The installation of your SC-300-cb Roofer Hoist is complete!*



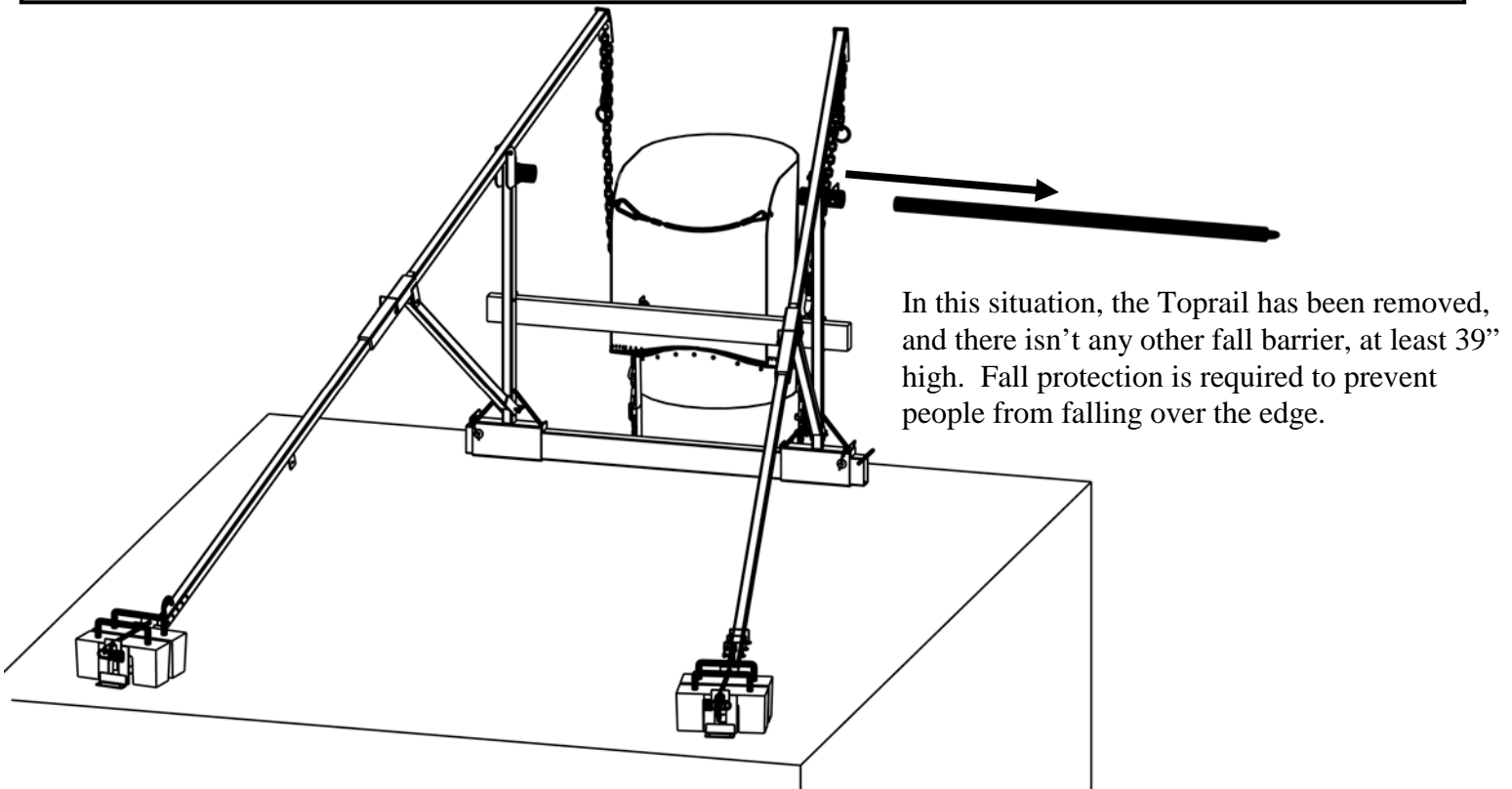
*Please see the next few pages for more important information.*

## 18. FALL PROTECTION & THE GATEKEEPER



### WARNING

- The Toprail is a substantial fall prevention barrier. If the Toprail is removed, and an alternate fall prevention barrier does not exist, a person could easily fall into the chute or off of the building.
- A fall from a height of 6 ft. is enough to seriously injure or kill.
- OSHA requires that fall prevention barriers be at least 42" high, plus or minus 3". Guardrail systems, parapet walls, and window sills may be acceptable fall prevention barriers provided they meet OSHA's height criteria.
- The Toprail may be detached if it is interfering with the debris removal process, as long as personal fall arrest systems are used, or alternate fall prevention barriers are present.
- Keep the debris removal process quick and safe in areas without adequate fall protection by designating a worker as the **Gatekeeper**.
- The Gatekeeper is secured by a personal fall arrest system to an anchor that is independent of the chute system. Because he is protected against falls, he can work near the exposed edge. At a demarcated "stop line" (where there is no risk of falling over the edge), the Gatekeeper receives full wheelbarrows from unprotected workers. He empties the wheelbarrows into the chute and returns them to the stop line in exchange for full ones.



## **19. USING THE HOIST TO REMOVE DEBRIS FROM DIFFERENT LEVELS**

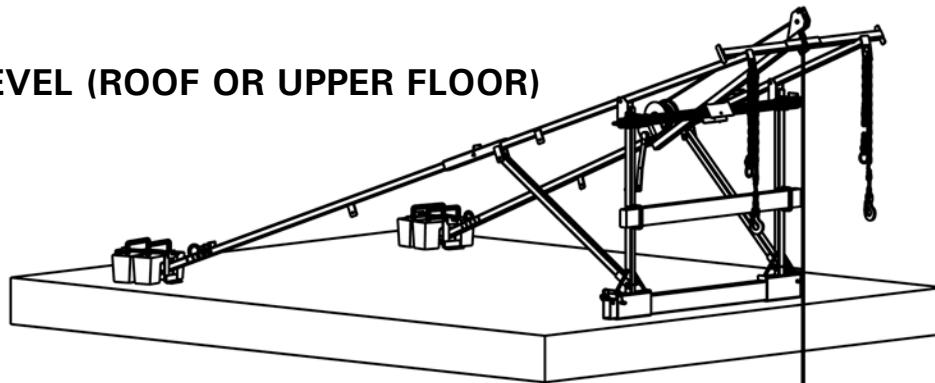
The Roofer Hoist can be used to remove debris from different floor levels, one floor at a time.

Lower or raise the chute sections until the Top Hopper is aligned with the desired floor level.

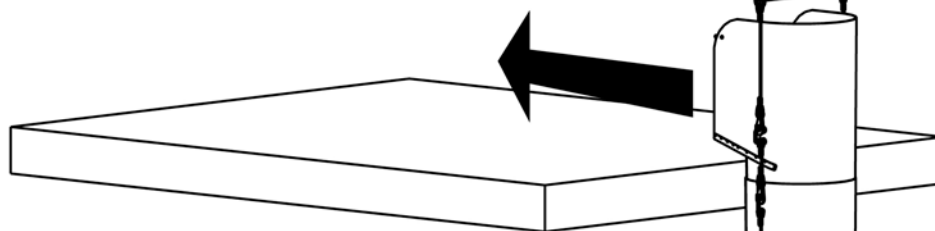
The chute may be left hanging from the Fishpole.

Always tie the Top Hopper to the building to prevent debris from falling into a gap between the chute and the building. Ensure that appropriate fall protection is available.

**HOIST LEVEL (ROOF OR UPPER FLOOR)**



Tie the Top Hopper to the Building



**FLOOR LEVEL REQUIRING DEBRIS REMOVAL**

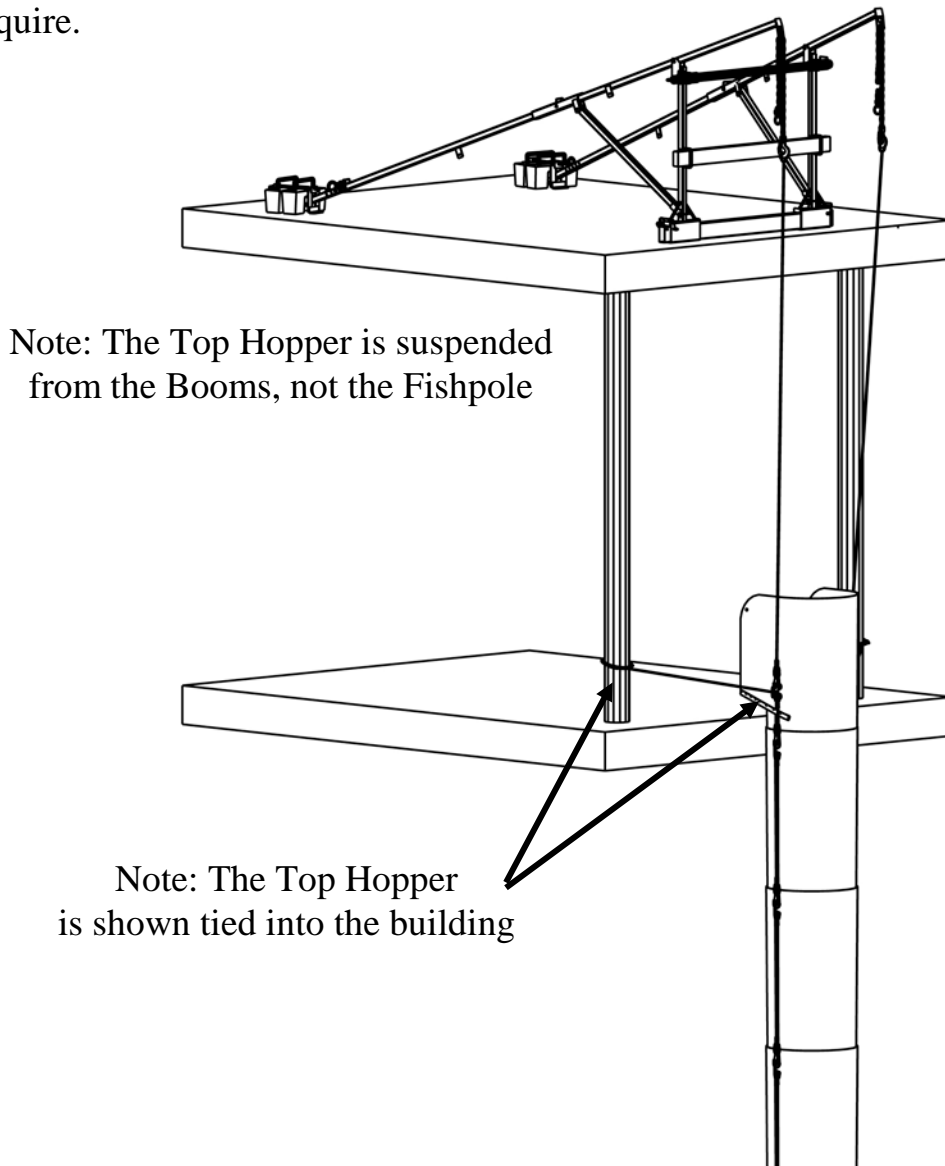
## Removal Of Debris From Different Floor Levels (continued)

If the Top Hopper will be needed at a particular level for some time, it is preferable to transfer the chute load to the boom chains. Because the boom chains are only 4 ft long, they will need to be lengthened using a pair of wire rope extensions.

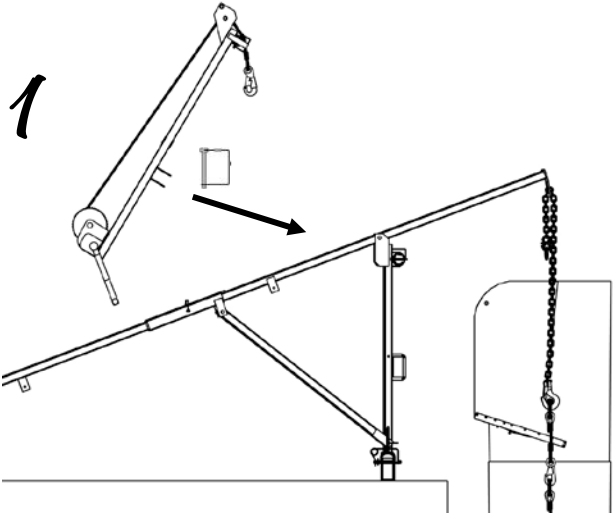
Transferring the load to the boom chains/ wire rope extensions confers these advantages:

- The Fishpole can be removed to prevent the chute from being easily lowered and stolen.
- The Spreader Bar can be removed, so it does not obstruct the Top Hopper opening.
- The Fishpole cable will not be susceptible to damage caused by the debris removal process.

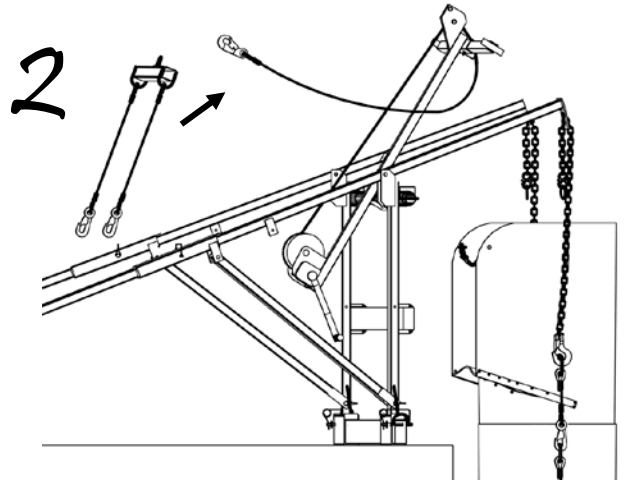
Wire rope extensions are available from Superchute Ltd. Please specify the precise length(s) that you require.



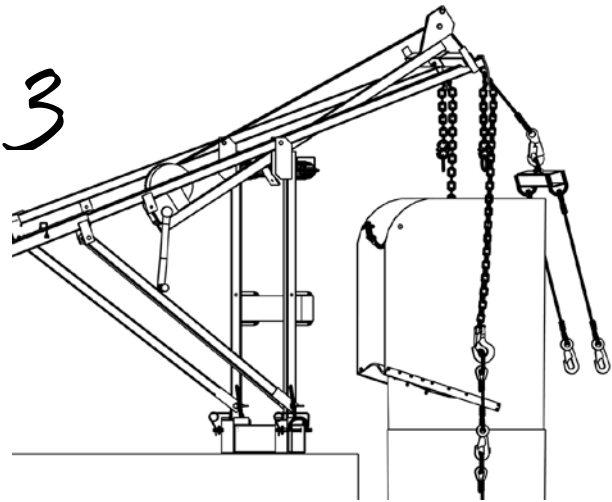
## 20. DE-INSTALLATION OF THE HOIST



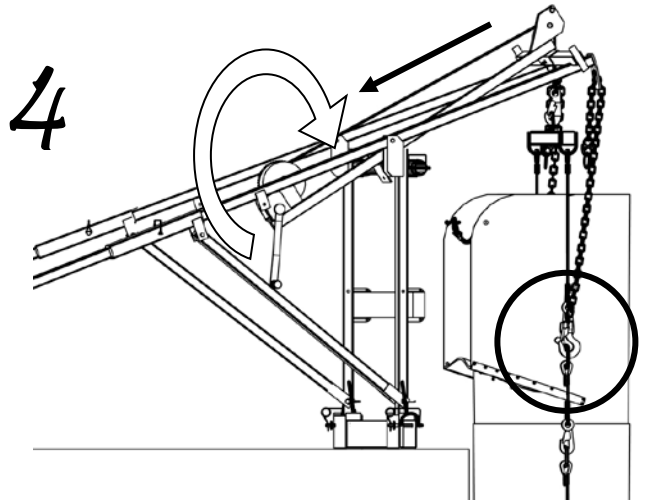
1 Install the Fishpole (or use a crane).



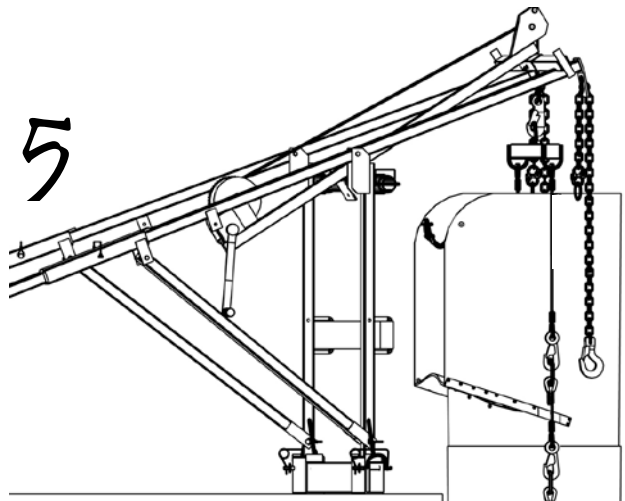
2 Attach the hoisting cable to the Spreader Bar.



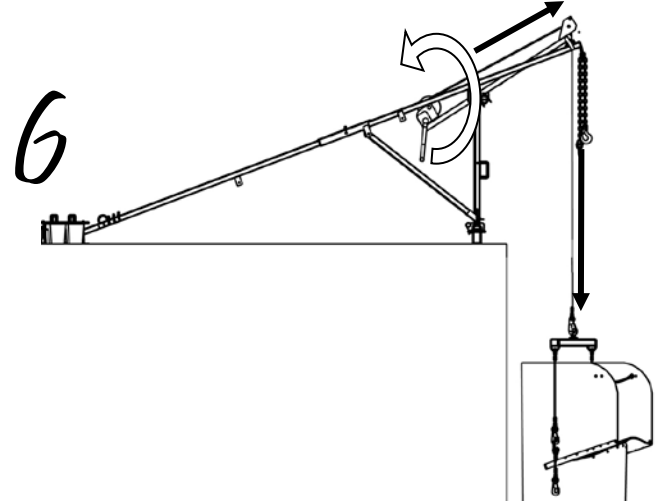
3 Attach the Spreader Bar to the Top Hopper.



4 Tension hoist cable to relieve the boom chains.

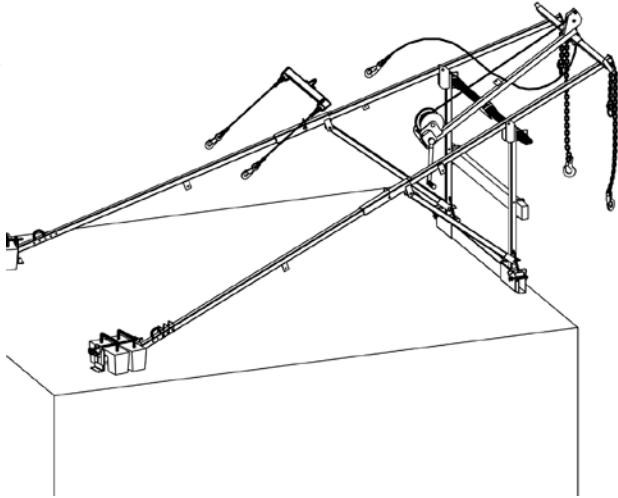


5 Unclip the boom chains from the Top Hopper.



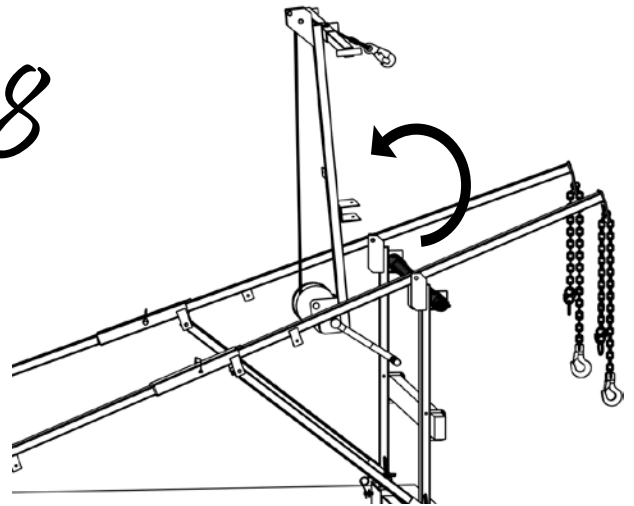
6 Lower the chute using the Fishpole (or a crane).

7



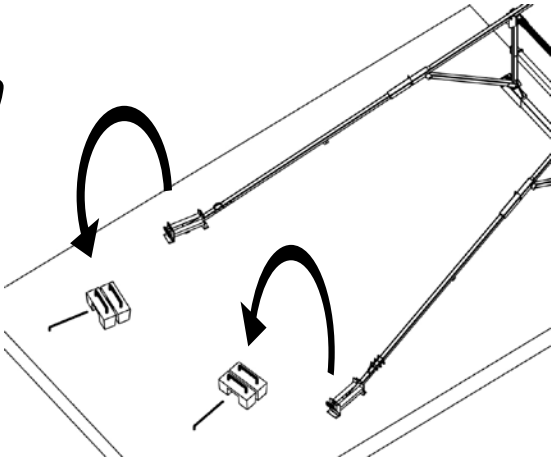
Rewind the cable & remove the Spreader Bar.

8



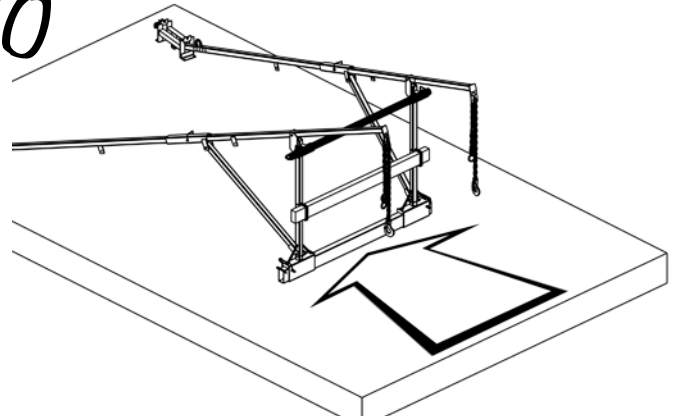
Remove the Fishpole.

9



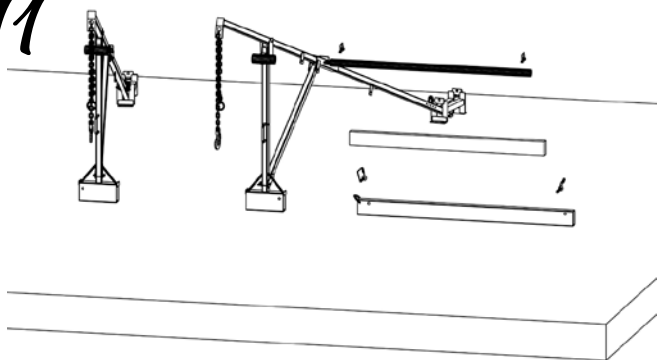
Remove the weights from the weight carriers.

10



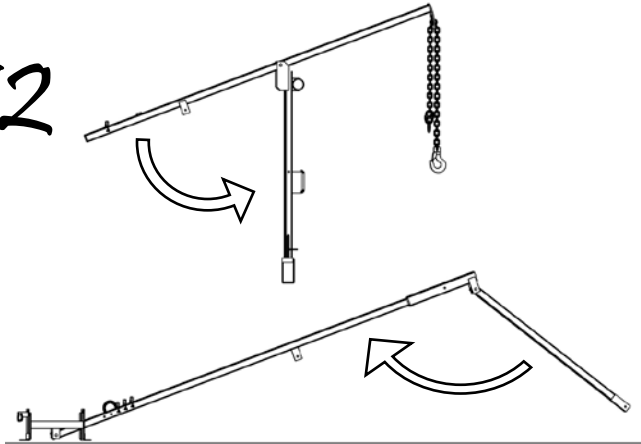
Shift the hoist away from the roof edge.

11



Remove the Toprail, Midrail, & Toeboard.

12



Separate Weight Beams from Booms & Masts.



## APPENDIX A: WARRANTY

Superchute® chute hoists are made for heavy wear, but like all tools, time and use will take its toll. There is no warranty for wear and tear, or misuse of the hoist. Superchute® warrants all products against manufacturing defects, which must be reported in writing to Superchute® Ltd. upon receipt of goods. Thorough overhaul servicing is offered by Superchute® Ltd.

## APPENDIX B: STAY INFORMED

The Superchute® factory sends out regular notices regarding new products, changes, recalls, and upgrades. Stay informed by filling out the form below and sending it in. Please feel free to enclose any other comments. Thank you for choosing Superchute® Ltd.

Your Name: _____ Company: _____ Address: _____ Phone: _____ Fax: _____	E-mail address: _____  Website: _____
Number of chute sections owned: _____ Diameter(s) of the chute sections: _____ Date(s) of purchase: _____ Name of the Supplier: _____	
Number of chute hoist(s) owned: _____ Models: _____ Serial No's: _____ Date(s) of purchase: _____ Name of the Supplier: _____	

Fax to: 514-365-8987, or mail to: Superchute® Ltd., 8810 Elmslie Road, Montreal, QC, Canada, H8R 1V6

## APPENDIX C: PARTS LIST

# ROOFER HOIST MODEL SC-300-cb

### 1. Frame Components

Quantity

Factory

Office  
Initials:

	Quantity	Factory	Office Initials:
Weight Beam with attached Cross Brace	2		
Mast with attached Boom and 4' Chain	2		
Toeboard	1		
Toprail	1		
55 lb. cast iron counterweights	4		
5/16" diameter locking pins	6		
5/16" diameter locking pins: SPARE	2		
1/2" diameter locking pins for Toeboard	2		
Padlocks	2		

### 2. Hoisting Components

Fishpole + sheave+ Shelby winch + cable	1		
Outer Cross Bar	1		
1/2" diameter locking pins	2		
Light Duty Lighting Bar (WLL 1000 lb.)	1		

## APPENDIX D: TEST CERTIFICATE

I \_\_\_\_\_ certify that the Roofer Hoist was fully assembled and inspected.  
use capitals

\_\_\_\_\_  
signed: production crew member

\_\_\_\_\_  
date

Serial Number(s):

**PHOTOCOPY THIS FORM AND ATTACH TO CLIENT'S FILE**

## **APPENDIX E: GLOSSARY**

**Breaking Strain:** The average load at which a new component (for example: a cable or chain assembly) will fail. The breaking strain is obtained by applying direct tension to a component at a uniform rate of speed, in a testing machine.

**Chute:** A series of linked chute sections that are used to convey debris.

**Chute Hoist:** An engineered device that has been designed specifically to raise, anchor, and lower a chute. A chute hoist consists of a support frame and a detachable winch apparatus (known as the Fishpole). The support frame, without the Fishpole, can still be referred to as a chute hoist.

**Chute Sections:** Modular conical tubes that can be linked together in series to form a chute.

**Chute System:** A suspended chute and the anchors (including chute hoists) that support it.

**Design Factor:** Also known as the “safety factor”, it is a product’s theoretical reserve capacity. The design factor is calculated by dividing the Breaking Strain by the Working Load Limit. The design factor is generally expressed as a ratio, for example: 10 to 1, or 10:1.

**Users:** The term “users” includes planners, supervisors, installers, and end-users of the chute hoist.

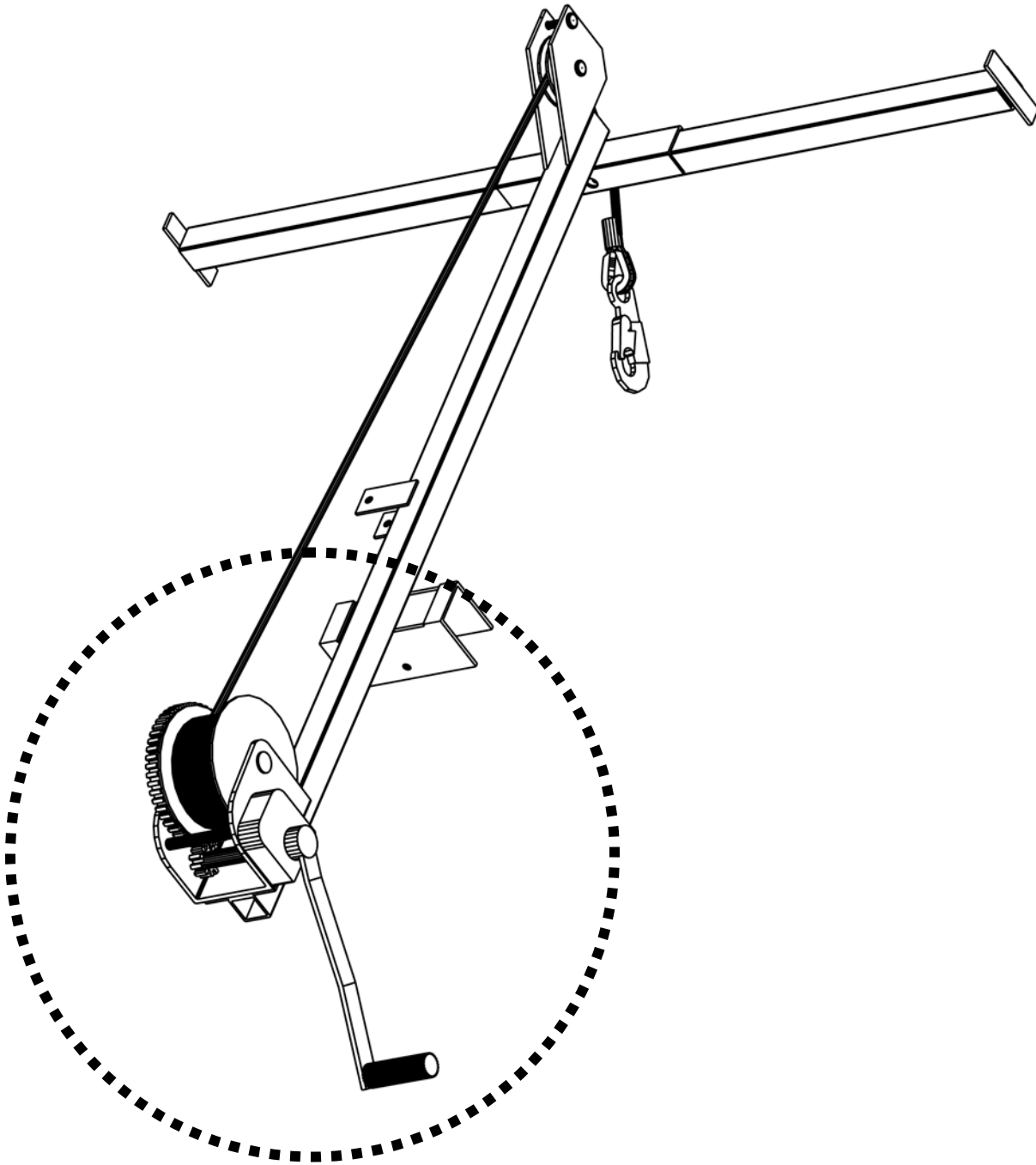
### **Working Load Limit:**

The maximum load which can be applied to the component, when the component is new, or in “good as new” condition, and when the load is applied in the intended manner. This term can be abbreviated to WLL.

The Working Load Limit of the SC-300-cb chute hoist is 300 lb.

## APPENDIX F: WINCH INFORMATION (IF APPLICABLE)

*If a Fishpole is part of your SC-300-cb Roofer Hoist, then the following information applies:*



The Fishpole is equipped with a drum-style winch.

Winch manufacturer: Shelby Industries

Telephone: (502) 633-2040

Winch model: 5352

Further information: See the next 4 pages for manufacturer's information on the winch.

# SHELBY INDUSTRIES WINCH MANUAL

## OWNER'S MANUAL & PARTS LIST WINCH MODEL 5352

1500 Lb. (680 kg) Maximum Rated Line Pull

### **WARNING**

**THIS EQUIPMENT SHOULD NOT BE INSTALLED, OPERATED OR MAINTAINED BY ANY INDIVIDUAL WHO HAS NOT READ ALL THE CONTENTS OF THIS OWNER'S OPERATING MANUAL.**

**FAILURE TO READ AND APPLY THE INSTRUCTIONS AND WARNINGS CONTAINED HEREIN CAN RESULT IN SUDDEN FAILURE OF EQUIPMENT, PROPERTY DAMAGE AND SERIOUS INJURY.**

#### I. ASSEMBLY INSTRUCTIONS

- A. **HANDLE.** Insert handle (item 6, Fig. 1) on threaded brake assembly shaft. Thread handle to point of engagement (touching) of brake pad.
- B. **HANDLE RETAINER ASSEMBLY.** Insert Bolt (Item 1, Fig. 1) through lockwasher (Item 2, Fig. 1), flatwasher (Item 3, Fig. 1), spacer (Item 4, Fig. 1) and spring (Item 5, Fig.1- spring will fit over spacer). Recheck Fig. 1 to ensure proper order of assembly.

Install bolt containing assembled retainer parts (Fig. 1) into threaded end of brake shaft and tighten bolt securely.

#### II. MOUNTING INSTRUCTIONS

- A. This winch is designed to be attached to a mounting plate or structure capable of supporting the load that it is intended to pull (lift).
- B. The winch should be mounted, using three 3/8" dia. S.A.E. Grade 5 bolts (not supplied). Two bolts should attach the winch to the mounting structure utilizing the outside rear holes or slots. The third bolt should be inserted through the winch frame and mounting structure in a manner to utilize the foremost remaining frame slot (hole) (Fig. 2).

#### III. CABLE ASSEMBLY INSTRUCTIONS

- A. **CABLE ATTACHMENT.** Winch model 5352 is designed for up to 95 ft. of 1/4" dia., 7 x 19 galvanized aircraft-quality cable.
  1. Feed cable into bottom of drum (item 7, Fig.3). From inside drum, thread the cable through one round hole in the drum side, until it extends 1-1/2" past the two square holes.
  2. Clamp the cable to the outside of the drum with keeper parts (items 8, 9, 10, Fig. 3). Be sure that carriage bolt heads are on the inside of winch drum.

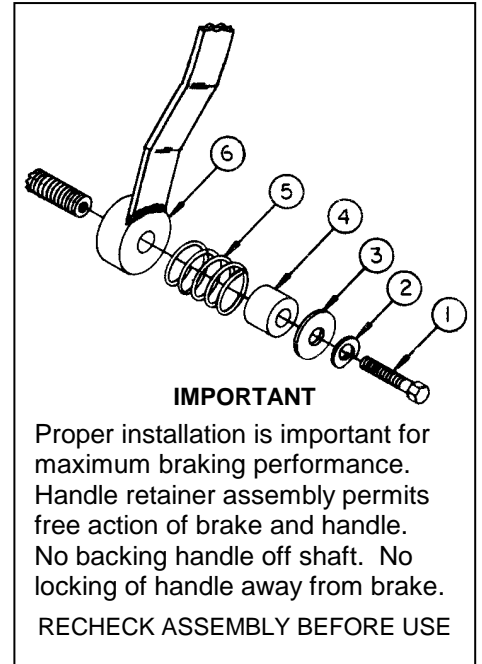


Fig. 1: Handle Retainer Assembly

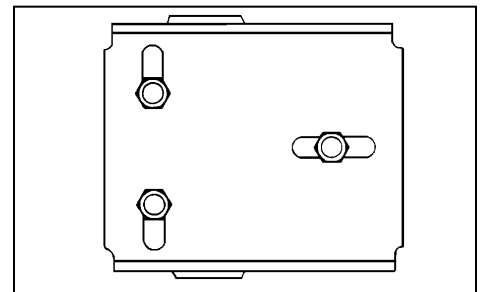


Fig. 2: Mounting instruction

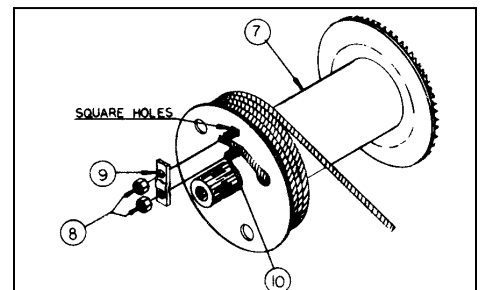


Fig. 3: Cable installation



## CAUTION

1. Always be sure cable is strong enough to support the load to lifted.
2. Always inspect cable and attachment hook before each use to ensure they are not damaged.
3. Replace cable if worn, frayed or kinked. If the cable or hook breaks, the cable can act like a whip and inflict serious injury to anyone in the path of its movement.
4. Never stand alongside winch cable, or guide the cable with your hands.
5. Never fully extend cable and ALWAYS keep three (3) complete wraps of cable around drum.
6. Always be sure cable is pulling straight off winch – not at an angle. This will prevent cable from rubbing against winch drum, avoiding cable damage.

### IV. OPERATING PROCEDURE

- A. **TO REEL IN OR LIFT LOAD.** This winch is designed to lift a load (reel in) by turning the hand crank in a clockwise direction. This action will produce a clicking sound inside the winch mechanism. To **LOCK** the load at any desired position, release handle slowly.
- B. **TO REEL OUT OR LOWER LOAD.** To lower load (reel out), turn handle crank in a counter-clockwise direction. To **LOCK** load in any desired position, turn handle clockwise until at least (2) clicks (approximately 8” movement of handle) are heard inside the winch mechanism before releasing handle.

**CAUTION:** If hand slips off handle while turning counter-clockwise, the brake will prevent the handle from spinning rapidly backwards. **NOTE:** The brake is not fully locked until the handle is turned clockwise far enough to hear two (2) clicks of the ratchet.

**WARNING:** Sufficient load must be applied to the cable to overcome internal resistance and operate brake properly. **NEVER CONTINUE TURNING THE HANDLE COUNTER-CLOCKWISE IF THE CABLE DOES NOT KEEP MOVING OUT.** This will disengage the brake mechanism and can create an unsafe or hazardous condition. **MINIMUM OPERATING LOAD REQUIREMENTS – Model 5352 – 100 lbs.**

The brake mechanism under continuous long periods of lift and lower movement will get **HOT**. **DO NOT TOUCH BRAKE MECHANISM UNDER THESE CONDITIONS.**

### V. MAINTENANCE INSTRUCTIONS

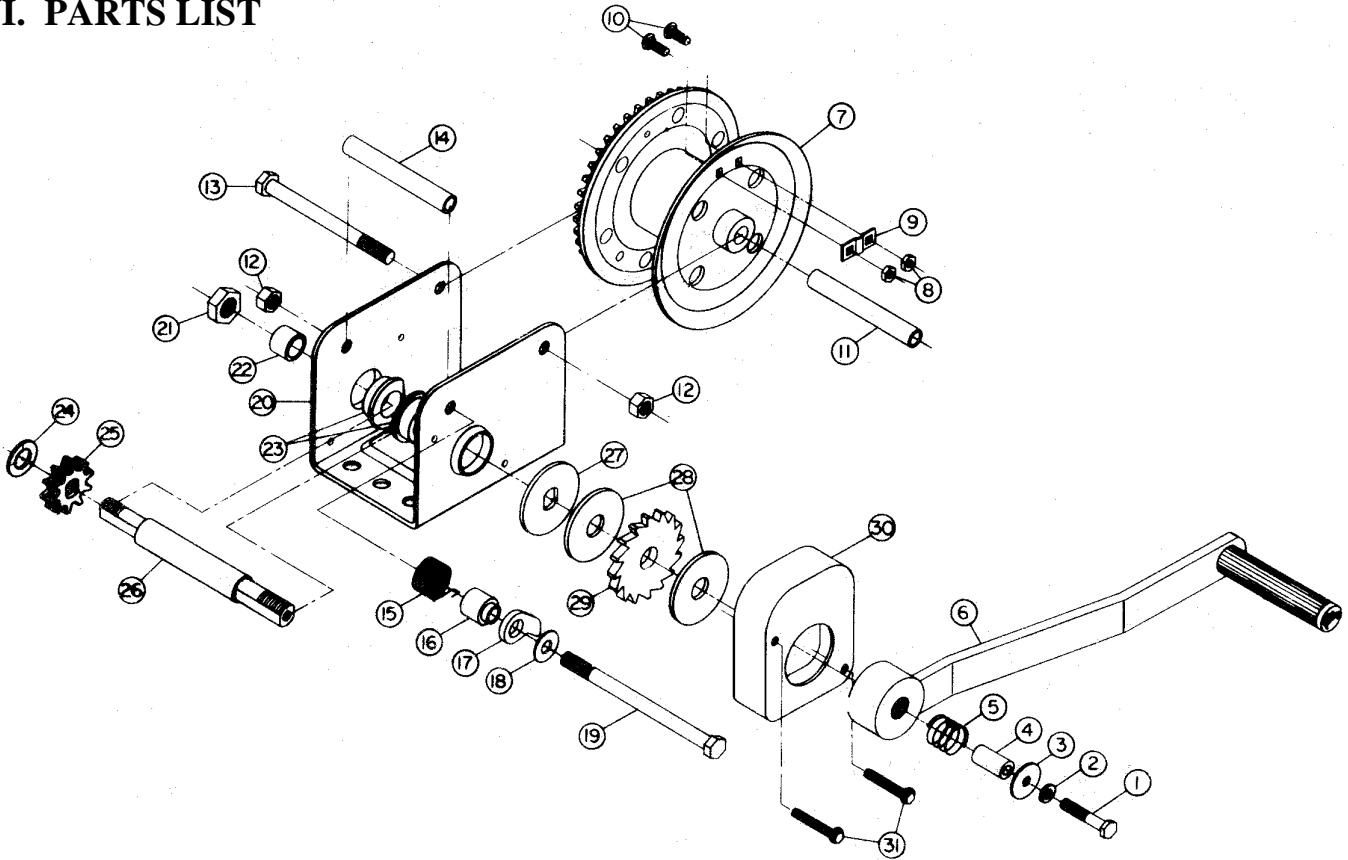
- A. **LUBRICATION.** All gears must be clean and lubricated (auto-type grease) to ensure proper and safe operation. All shafts, bushings and ratchet parts must be clean and wet with oil (auto-type 10W-30) to ensure proper and safe operation.
- B. **BRAKE DISC.** Brake disc wear can be inspected by removing handle retainer assembly, handle and brake disc cover. Brake discs should be replaced if the thickness is less than 1/16”, cracked or broken. **DO NOT USE OIL OR GREASE ON FIBRE BRAKE FACES.**

**WARNING:** If brake disc mechanism operates intermittently or erratically, brake disc inspection should be accomplished.

- C. **BRAKE RATCHET MECHANISM.** Check ratchet operation by listening for “clicking sound” when cable is reeled in (turn handle clockwise). Also, when the cable is reeled out, there will **NOT** be a clicking sound of the ratchet. Brake ratchet parts can be inspected for worn parts and unsafe conditions by removing handle retainer assembly, handle and disc cover.

**CAUTION: CARE MUST BE TAKEN DURING REASSEMBLY TO ENSURE THAT ALL PARTS ARE INSTALLED CORRECTLY FOR PROPER OPERATION.**

## VI. PARTS LIST



ITEM	DESCRIPTION	PART NO.	KIT NO.
1	¼"-20 x 1 ½ Hex screw	0913-03	
2	¼" Lockwasher	2524-03	
3	¼" Wide Flatwasher	0917-07	5444-81
4	Handle Retaining Spacer	1907-02	
5	Spring	0940-00	
6	Handle	2089-04	
7	Reel Assembly	0560-05	
8	10-24 Hex Nut (2)	2706-03	
9	Cable Keeper	2704-03	5441-81
10	10-24 x 5/8 Carriage Bolt (2)	2705-03	
11	Front Frame Spacer	2610-02	
12	3/8" Locknut (2)	1873-03	
13	3/8 x 5 Reel Bolt	2625-03	
14	Back Frame Spacer	1867-04	
15	Pawl Spring	1909-05	
16	Pawl Spacer	1890-05	

ITEM	DESCRIPTION	PART NO.	KIT NO.
17	Pawl	1891-07	
18	Washer	0904-03	
19	3/8 x 6 Pawl Bolt	0845-04	
20	Frame	0436-07	
21	9/16 Locknut	0673-03	
22	Bearing	2680-03	
23	Bushing (2)	2679-09	
24	Washer	0229-03	
25	Pinion Gear (5)	0776-03	
26	Pinion Shaft	1870-07	
27	Brake Backup Plate	1878-09	5442-81
28	Brake Pad (2)	0846-06	
29	Ratchet	1906-06	
30	Cover	1915-05	
31	10-32x1½ Cover Screw (2)	2016-03	

- Please order by specifying: Model Number, Name of Part or Kit, Part or Kit Number
- Replacements parts are available from your dealer or the factory.
- If kit number covers a combination of part numbers, parts are sold only by kit number.



# CAUTION

## **THIS WINCH IS NOT DESIGNED TO BE USED FOR HOISTING OR TRANSFER OF PEOPLE OR HOISTING LOADS OVER PEOPLE-OCCUPIED AREAS.**

1. NEVER leave a weight hanging by the winch while the winch is unattended, as unauthorized persons may attempt to operate the winch, thereby creating an unsafe condition.
2. NEVER exceed maximum rated line pull (stamped on winch). Exceeding this rating could cause failure of the winch, serious injury to the operator, bystanders and damage to equipment.  
**NOTE:** Maximum rated line pull for Model 5352 is 1500 lbs. (680 kg) for the first layer (minimum of 3 wraps) of line on the drum, and 700 lbs. for full drum rating.  
As more line is wrapped on the drum, the mechanical advantage of the winch is reduced and the rating will also be reduced.
3. ALWAYS keep winch maintained in accordance with this instruction sheet. REMEMBER: Worn parts cause unsafe conditions.
4. Winch components can be affected by chemicals, salts and rust and should be examined for unsafe conditions before operating.
5. NEVER alter the mechanics of the winch (Example: do not add to the handle length to make easier lifting).
6. NEVER use two or more winch units to lift a load that is greater than the load rating of any single unit. A shifting load may place the entire load on one unit, causing sudden failure of equipment, property damage and serious injury.
7. Apply the load evenly. Do not jerk or bounce the load or allow the load to swing. Avoid violent motion and shock loads. This type of operation requires equipment with higher load ratings.
8. Each time a load is to be lifted, test winch for safe operation by lifting the load a few inches first.
9. ALWAYS keep hands away from load-bearing cables, ropes, sheaves, drums and pulleys while operating.

**REMAIN CONSTANTLY AWARE THAT SAFE OPERATING IS YOUR RESPONSIBILITY.**

### **LIMITED WARRANTY**

Shelby Industries, Division of Prospects Boat Works, Incorporated warrants its products described herein to be free from defects in material and workmanship to the original purchaser at the date of purchase at retail. If any of these products is found to be defective, it may be replaced or repaired, at the option of Shelby, when returned with proof of purchase to Shelby's manufacturing facility in Shelbyville, Kentucky. The owner shall pay all transportation and shipping charges associated with the return of said product and the returned product shall become the property of Shelby. Where Shelby determines that circumstances are such as to preclude the remedying of warranted defects by replacements or repair, Shelby shall, upon return of the products and proof of purchase, refund owner's purchase price.

In no instance shall Shelby be responsible to repair or replace a product under this limited warranty where said product was improperly installed, altered or misused, including using the product contrary to Shelby's printed instructions or instructions stamped on the product itself.

The foregoing states the sole and exclusive remedy for any breach of warranty or for any other claim based on any defect in or non-performance of, the products, whether sounding in contract, warranty or negligence or strict liability. Shelby makes no other warranties express or implied, hereby excludes any implied warranties of mechanability or fitness.

Without limiting the generality of the foregoing, Shelby shall under no circumstances be liable for any incidental or consequential loss or damage whatsoever arising out of, or in any way relating to, any such breach of warranty or claimed defect in, or non-performance of, the products.

This limited warranty is designed to fully comply with the terms and provisions of the Magnuson-Moss Warranty Act. Some states may not allow the limitation of exclusion of incidental or consequential damages, so the above limitations or exclusions may not apply to you.

For more information or assistance regarding this product, contact your dealer or write to: Customer Service Manager, Shelby Industries, Division Boat Works, P.O. Box 308, Shelbyville, Kentucky 40065.

**NOTE:** THIS PRODUCT COMPLIES WITH REGULATION V-5 AND C.S.A. STANDARD D-264

**NOTE:** SOME STATES REQUIRE CLEAR VIEW OF LICENCE. REMOVE BALL WHEN NOT IN USE IF IT RESTRICTS VIEW.

**NOTE:** THIS PRODUCT COMPLIES WITH SAFETY SPECIFICATION & REQUIREMENTS FOR CONNECTING DEVICES & TOWING SYSTEMS OF THE STATE OF NEW YORK.