



www.suprema.co.kr



BioStation T2

Innovative Fingerprint Terminal

Installation Guide

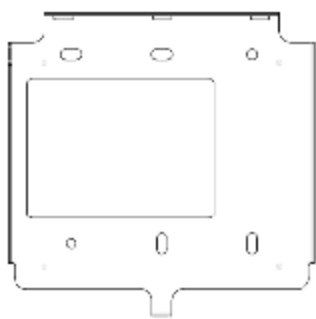
(ver 0.1)

Product Contents

n Basic Contents



Terminal



Wall mounting metal bracket



Wall mounting screws and holders - 4 ea



Screw for fixing main body



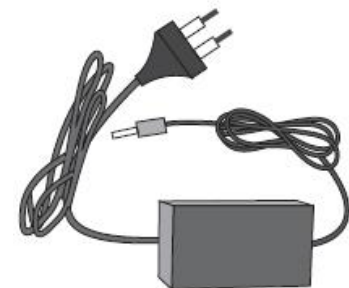
Cables



Software CD



Ferrite Core



12V DC Adaptor

Product Contents

n Optional accessories



USB fingerprint scanner f
or enrollment on PC



Wireless LAN Access Point

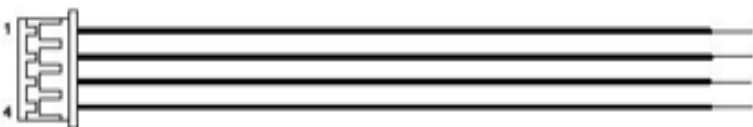
Cable and Connector Pinout

Relay



PIN	PIN DESCRIPTION
1	NORMAL OPEN
2	COMMON
3	NORMAL CLOSE

RS485



PIN	PIN DESCRIPTION
1	TRX -
2	TRX +
3	GND
4	SHIELD GND

Cable and Connector Pinout

Switch Input



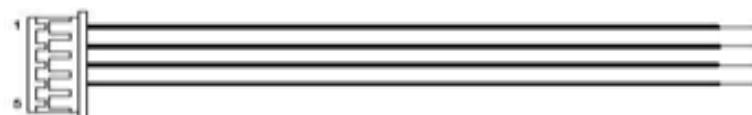
PIN	PIN DESCRIPTION
1	SWIN_IN0
2	SWIN_IN1
3	GND
4	SHIELD_GND
5	SWIN_IN2
6	SWIN_IN3
7	GND
8	SHIELD_GND

VDP



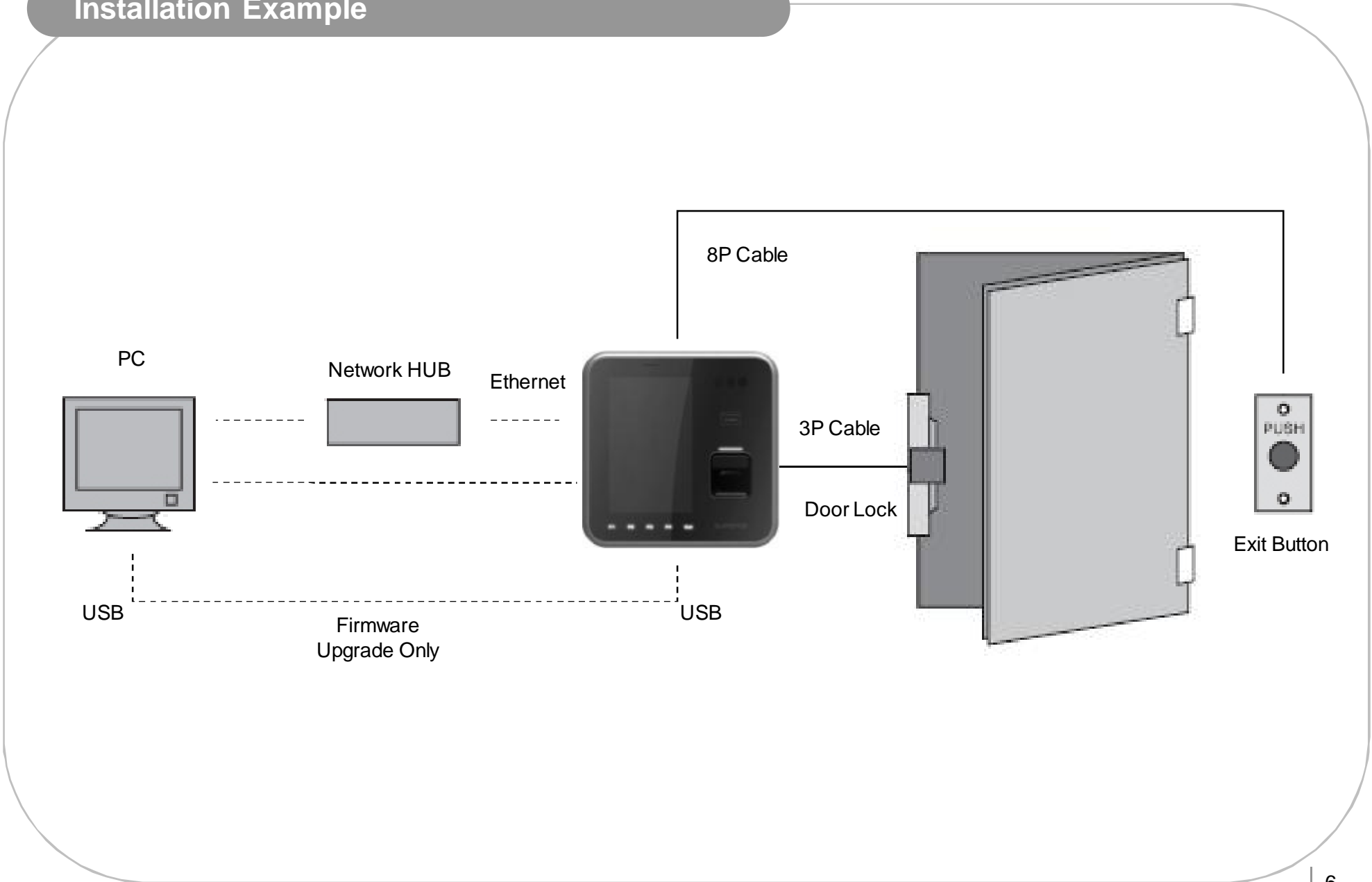
PIN	PIN DESCRIPTION
1	VDP_S
2	GND
3	VDP_VCC
4	VDP_V
5	VDP_OPEN
6	GND
7	SHIELD_GND

Wiegand

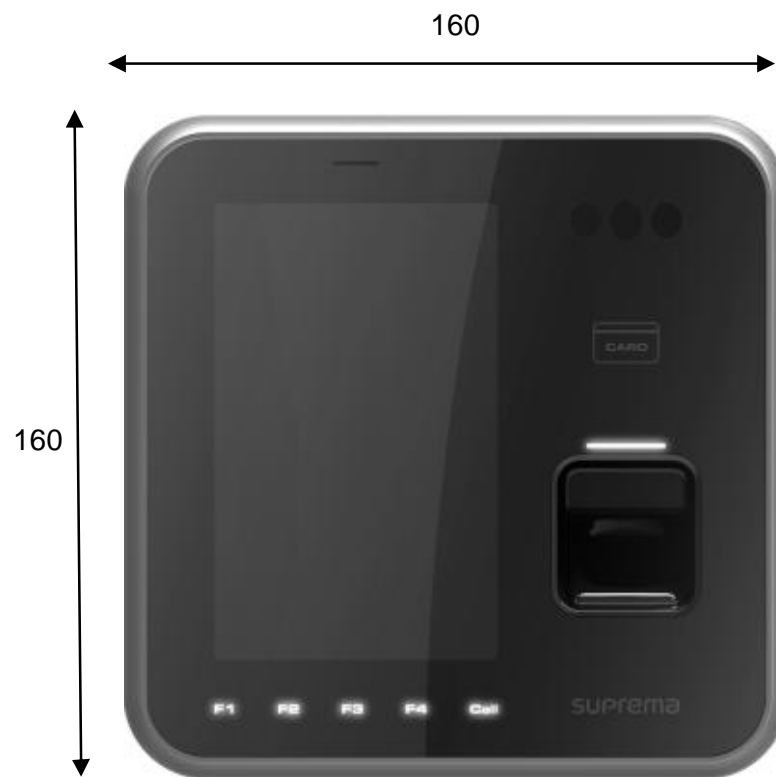


PIN	PIN DESCRIPTION
1	WIEGAND_D0
2	WIEGAND_D1
3	GND
4	SHIELD_GND

Installation Example



Product Dimension



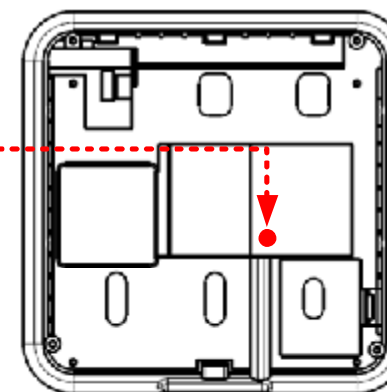
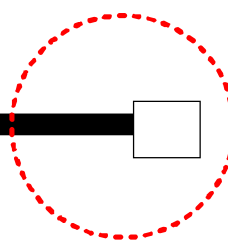
전면

(unit : mm)

Power Connection

n **Power connection**

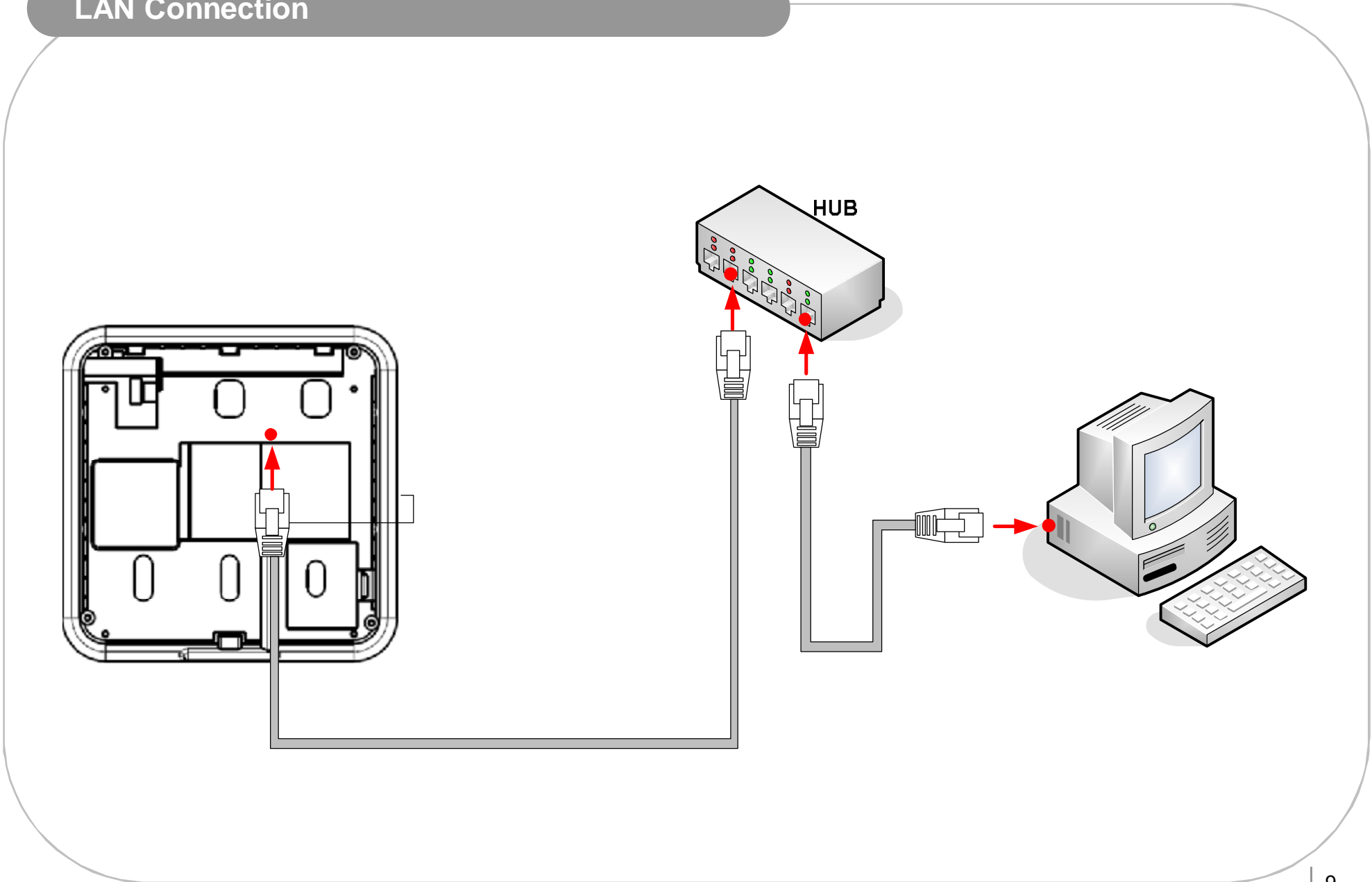
DC12V ADAPTOR



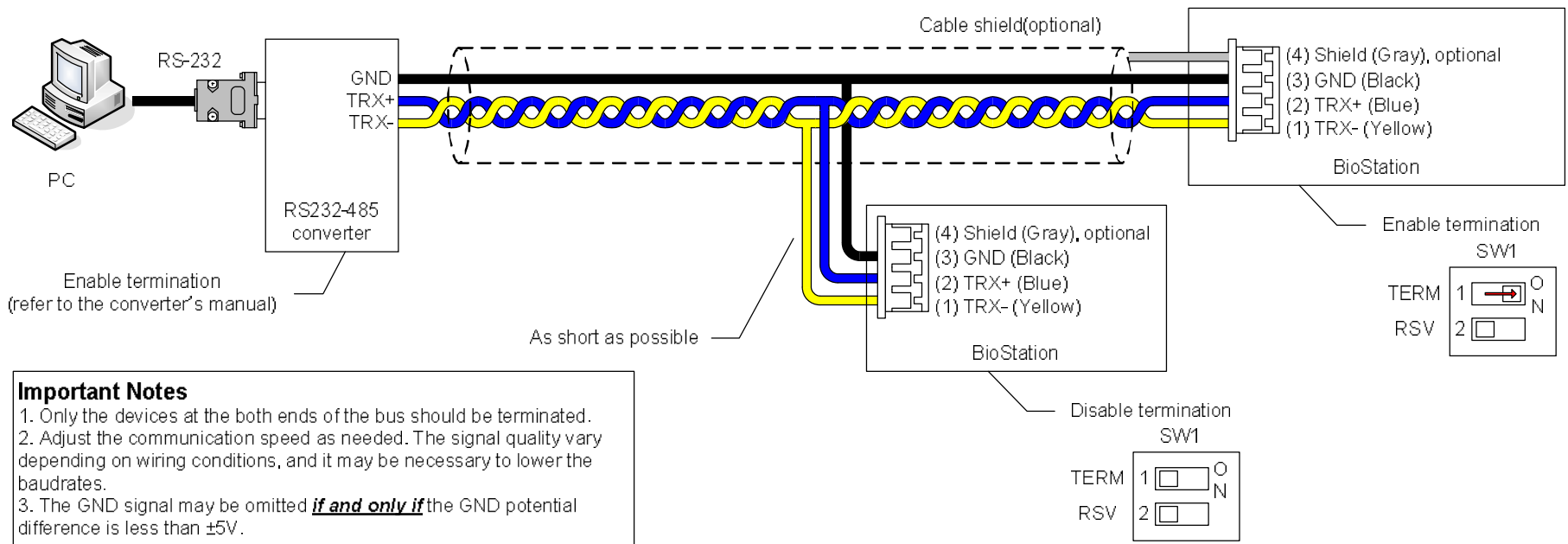
n **Recommended**

- | 12V \pm 10%, at least 1500mA for BioStation T2 alone installation.
- | Comply with standard IEC/EN 60950-1

LAN Connection



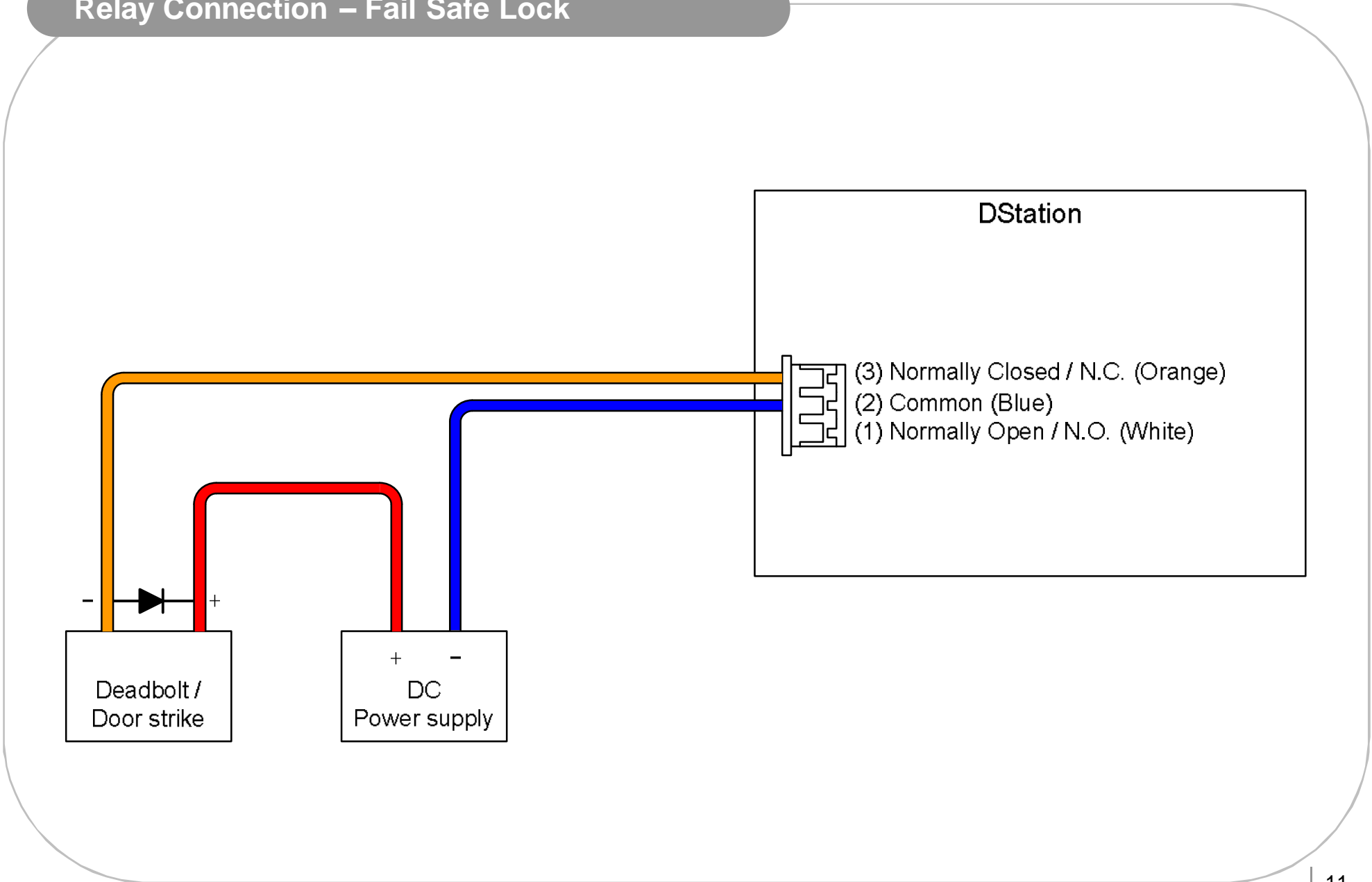
RS485 Network Connection



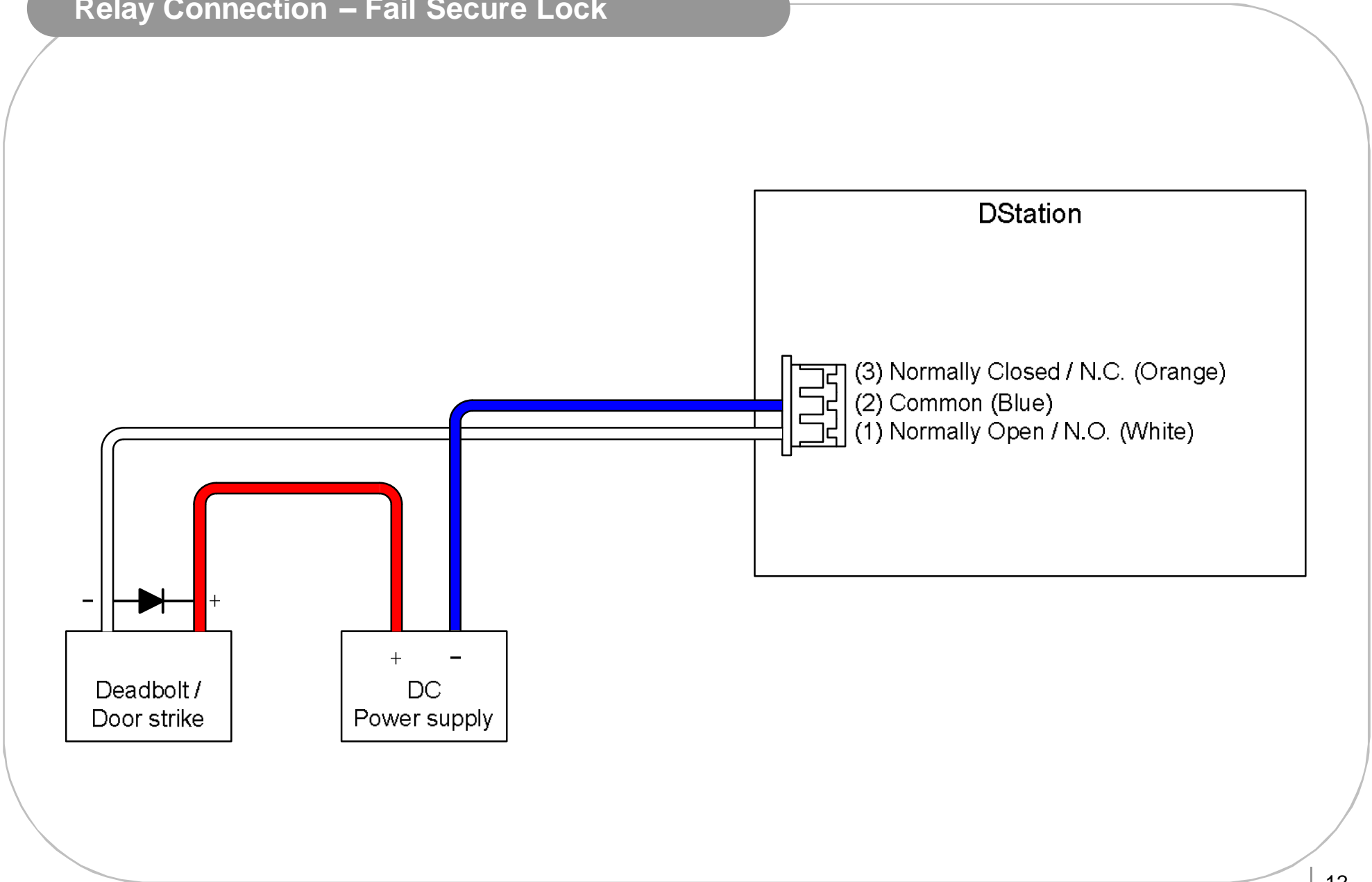
Important Notes

1. Only the devices at the both ends of the bus should be terminated.
2. Adjust the communication speed as needed. The signal quality vary depending on wiring conditions, and it may be necessary to lower the baudrates.
3. The GND signal may be omitted **if and only if** the GND potential difference is less than $\pm 5V$.

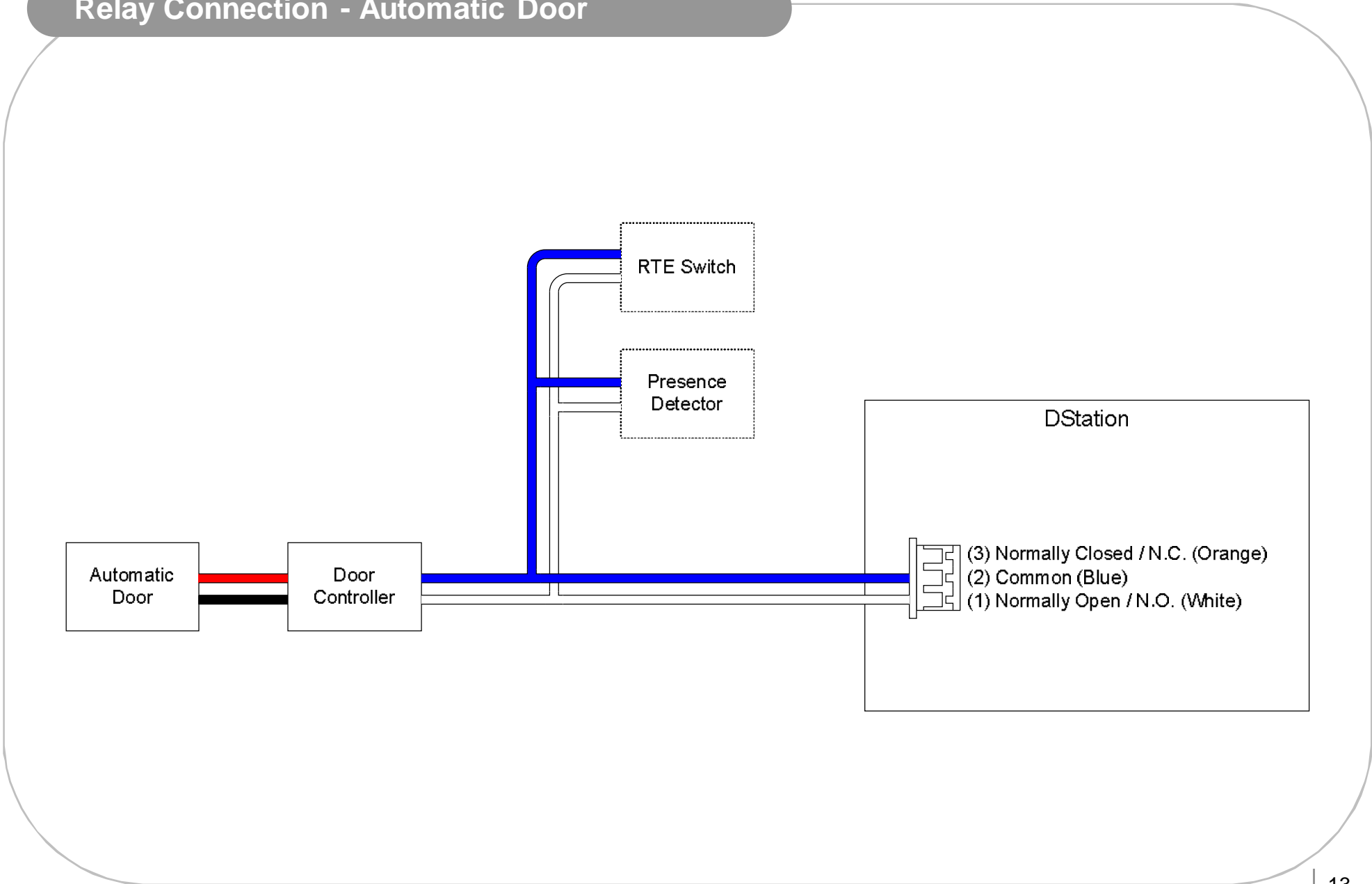
Relay Connection – Fail Safe Lock



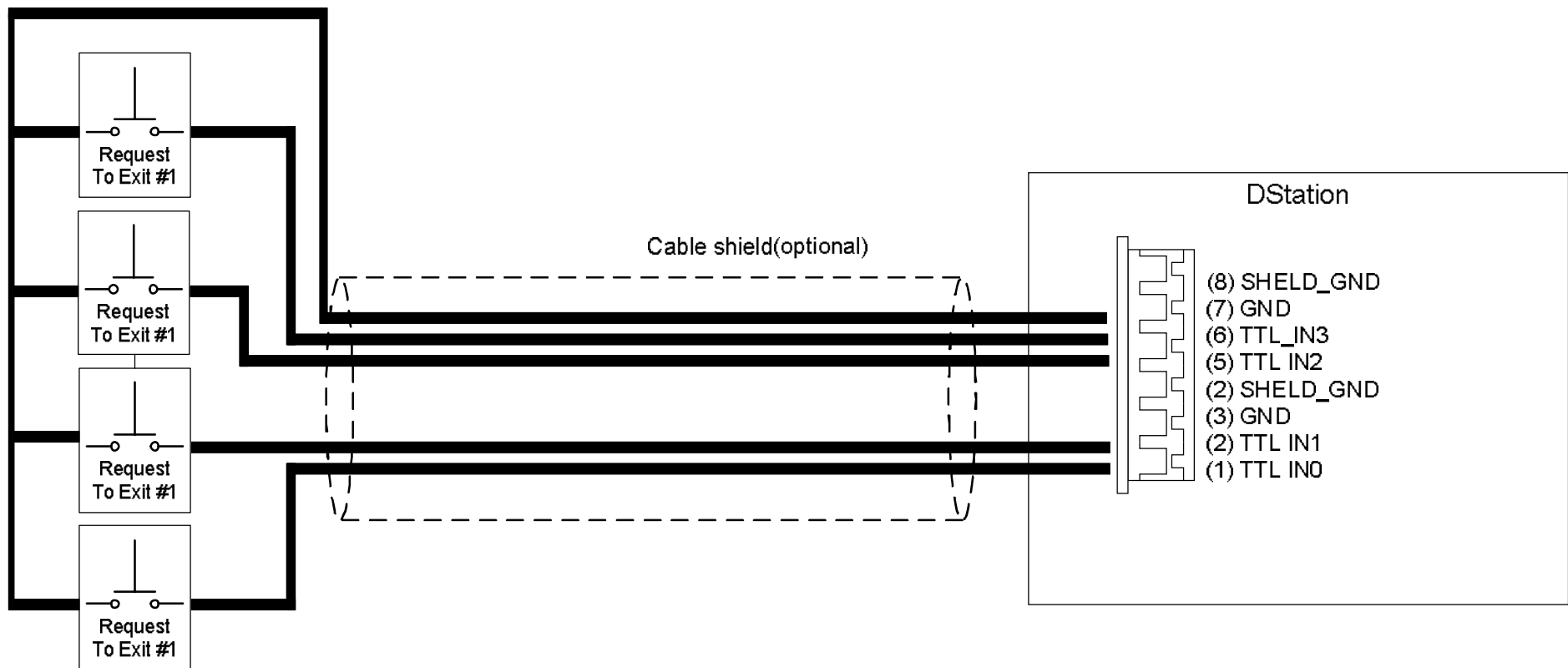
Relay Connection – Fail Secure Lock



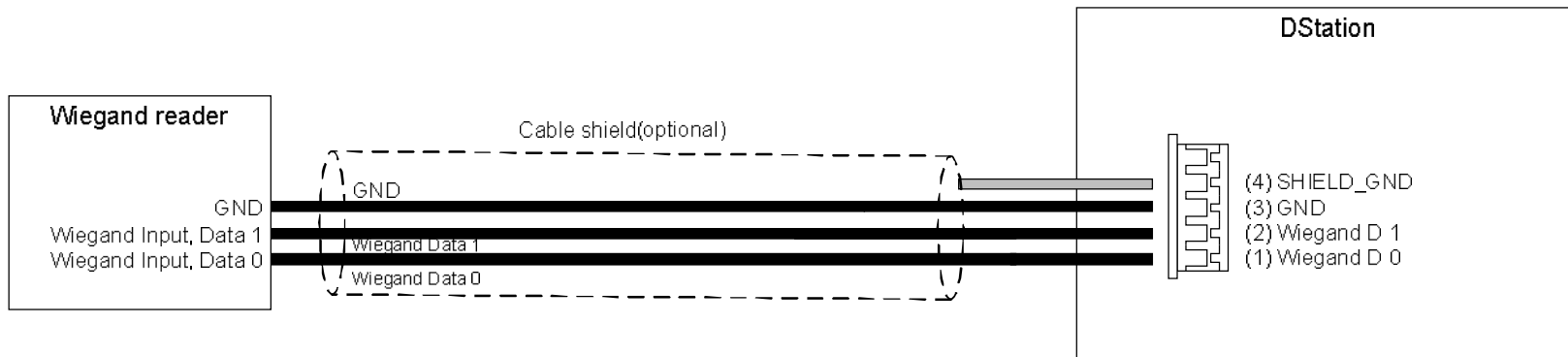
Relay Connection - Automatic Door



TTL Input Port Connection – RTE Switches



Wiegand Input Connection – External reader



System Specifications

- n ● CPU : Main B/D CPU - ARM11 667MHz (Samsung S3C6410-667) X 1ea
- n Sensor B/D CPU - DSP 400MHz (ADI BP531-400) X 1ea
- n
- n ● Memory : Main B/D - Flash : Nand MLC 1GByte + Nor 1MByte, SDRAM(mDDR) : 256MByte
- n Sensor B/D - Flash : SPI 512Kbyte, SDRAM : 32MByte
- n
- n ● DISPLAY : 5inch WVGA TFT LCD (800 X 480) X 1ea
- n ● LED : 3-Color LED X 2ea
- n ● INPUT : 저항막 방식 Touch Screen X 1ea + 5 Keypad (F1~F4, CALL)
- n ● CAMERA : 1.3M CMOS Camera X 1ea
- n ● I/O Port : Wiegand In/Out (S/W 설정을 통해 Input 또는 Output으로 사용가능) X 1ch
- n Switch Input X 4ch
- n RS-485 X 2ch
- n RS-232(Share with RS-485) X 1ch
- n Relay(1A@30Vdc) X 2ch
- n Ethernet(10/100M) X 1ch
- n ● Sound Out: System Sound용 Speaker X 2ea
- n ● RF CARD : Mifare / EM
- n ● Fingerprint Sensor : OC Sensor Model
- n ● Power Input : 12Vdc Adaptor or POE Input

FCC Rules

Caution

Changes or modifications not expressly approved by the manufacturer responsible for compliance could void the user's authority to operate the equipment.

Warning

This device complies with part 15 of the FCC Rules. Operation is subject to the following two conditions: (1) This device may not cause harmful interference, and (2) this device must accept any interference received, including interference that may cause undesired operation.

Information to User

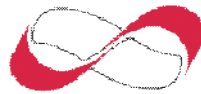
This equipment has been tested and found to comply with the limit of a Class B digital device, pursuant to Part 15 of the FCC Rules. These limits are designed to provide reasonable protection against harmful interference in a residential installation. This equipment generates, user and can radiate radio frequency energy and, if not installed and used in accordance with the instructions, may cause harmful interference to radio communications.

However, there is no guarantee that interference will not occur in a particular installation; if this equipment does cause harmful interference to radio or television reception, which can be determined by turning the equipment off and on, the user is encouraged to try to correct the interference by one or more the following measures:

1. Reorient / Relocate the receiving antenna.
2. Increase the separation between the equipment and receiver.
3. Connect the equipment into an outlet on a circuit different from that to which the receiver is connected.
4. Consult the dealer or an experienced radio/TV technician for help

Electrical Specification

	Min.	Typ.	Max.	Notes
Power				
Voltage (V)	10.8	12	13.2	
Current (mA)	-	600	1000	
TTL/Wiegand Input				
V_{IH} (V)	2	-	-	
V_{IL} (V)	-	-	0.8	
Pull-up resistance (Ω)	-	10k	-	
TTL/Wiegand Output				
V_{OH} (V)	4	-	-	@ I _{OH} = -5mA
V_{OL} (V)	-	-	1	@ I _{OL} = 5mA
Output resistance (Ω)	-	100	-	
Relay				
Switching capacity (A)	-	-	1 0.3	30V DC 125V AC
Switching power (resistive)	-	-	30W 37.5VA	DC AC
Switching voltage (V)	-	-	110 125	DC AC



SUPREMA

Suprema Inc.

16F Parkview Office Tower, Jeongja-dong, Bundang-gu,
Seongnam, Gyeonggi, 463-863 Korea

E-mail : support@supremainc.com

Website : www.supremainc.com

Functions and specifications of the product are subject to changes without notice due to quality enhancement or function update. For any inquiry on the product, please contact **Suprema Inc.**