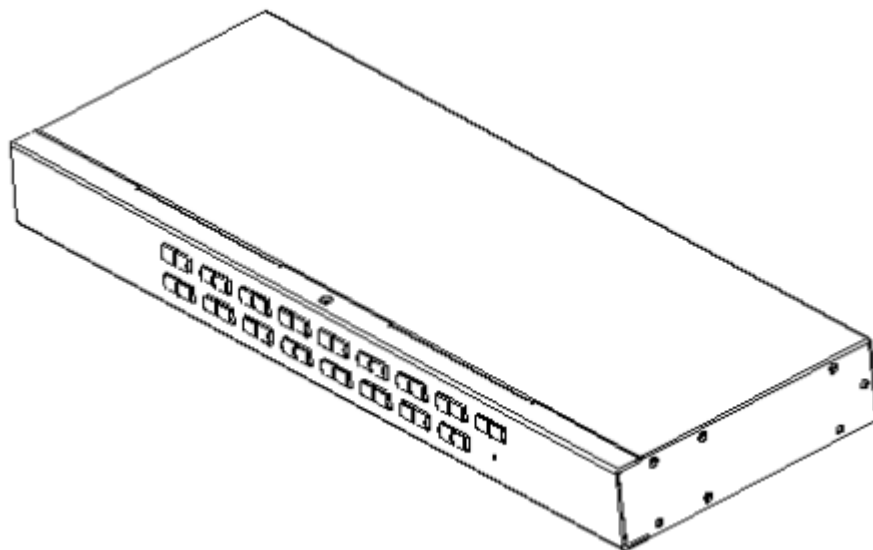


4/8/16 Port USB/PS2 Rack-Mountable KVM Switch



User Manual

Note

United States Federal Communications Commission Interference Statement

This equipment has been tested and found to comply with the limits for a class B digital device, pursuant to part 15 of the FCC rules. These limits are designed to provide reasonable protection against harmful interference in a residential installation. This equipment generates, uses and can radiate radio frequency energy and, if not installed and used in accordance with the instruction manual, may cause harmful interference to radio communications. However, there is no guarantee that interference will not occur in a particular installation. If this equipment does cause harmful interference to radio or television reception, which can be determined by turning the equipment off and on, the user is encouraged to try to correct the interference by one or more of the measures listed below.

- ◆ Reorient or relocate the receiving antenna.
- ◆ Increase the separation between the equipment and receiver.
- ◆ Connect the equipment into an outlet on a circuit different from that to which the receiver is connected.
- ◆ Consult the dealer or an experienced radio/television technician for help.

Any Changes or modifications not expressly approved by the party responsible for compliance could void the user's authority to operate the equipment.

This device complies with Part 15 of the FCC Rules. Operation is subject to the following two conditions: (1) This device may not cause harmful interference, and (2) this device must accept any interference received, including interference that may cause undesired operation.

The user's manual or instruction manual for an intentional or unintentional radiator shall caution the user that changes or modifications not expressly approved by the party responsible for compliance could void the user's authority to operate the equipment.

In cases where the manual is provided only in a form other than paper, such as on a computer disk or over the Internet, the information required by this section may be included in the manual in that alternative form, provided the user can reasonably be expected to have the capability to access information in that form.

User Precautions

The manufacturer has the right to modify and alter the information, documentation and specifications contained in the manual without prior notice. MANUFACTURER MAKES NO WARRANTY, EXPRESS, IMPLIED OR STATUTORY, DISCLAIMS, OR SPECIFICALLY DISCLAIMS ITS POSSIBILITY OF SALE AND APPLICABILITY FOR A PARTICULAR PURPOSE. The same applies to any sold and authorized manufacturer's software described in this manual. If the Software Program is found to be defective after purchase, the purchaser (and any non-manufacturer, its distributor or its purchaser) will be responsible for all necessary service, repair and any incidental or consequential damages resulting from the Software defect.

The manufacturer is not responsible for any unauthorized interference with the radio and / or television caused by this equipment. The user must correct the interference by himself / herself.

The manufacturer will not be liable for any damage resulting from incorrect selection of the operating voltage before operation.

Be sure to check that the voltage is set to correct before use.

Product Model List:

Model	Specification
AS-9104DU AS-3104DU	4 input (USB & PS.2) 1 output (PS.2), Supporting cascade & hub
AS-9108DU AS-3108DU	8 input (USB & PS.2) 1 output (PS.2), Supporting cascade & hub
AS-9116DU AS-3116DU	16 input (USB & PS.2)1 output (PS.2), Supporting cascade & hub
AI-9104DU	4 input (USB & PS.2) 1 output (PS.2), Supporting cascade & hub&IP Control
AI-9108DU	8 input (USB & PS.2) 1 output (PS.2), Supporting cascade& hub&IP Control
AI-9116DU	16 input (USB & PS.2)1 output (PS.2), Supporting cascade & hub&IP Control

Packing List

The complete AS serial 4 port/ 8 ports/16 ports USB / PS/2 KVM switch package consists of:

- ◆ AS serial 4 ports/8 ports/16 ports USB / PS/2 switch
- ◆ Power Adapter
- ◆ User Manual

Please check to make sure that all the components are present and that nothing was damaged in shipping. If you encounter a problem, contact your dealer.

Read this manual thoroughly and follow the installation and operation procedure carefully to prevent any damage to the unit, and/or any of the devices that connect to it.

Content

Overview	6
Common Language Introduction	7
Chapter 1	8
Introduction	8
Product Introduction	8
Features	9
HARDWARE REQUIREMENT	10
Console	10
Computer.....	10
Cable.....	10
Operation System	11
Component	12
Front View.....	12
Rear View.....	13
Chapter 2	15
Installation.....	15
Placement and Installation	15
Cabinet Installing	15
Expansion IP Module Installation	17
Single device installation	19
Cascade device connection	20
Chapter 3	22
Basic Operation.....	22
Hot Plug.....	22
Hot-Plugging Computer Port.....	22
Hot-Plugging Console Port.....	22
Connection Port Selection.....	22
Manual Selection	23
OSD Menu Screen Selection	23
Hot-key Selection.....	23
Power Off and Re-start	23
Chapter 4	24
OSD Operation.....	24
OSD Introduction	24
OSD Log in	24
OSD Hot-Key.....	24
OSD Menu Interface.....	24
OSD Main Screen Headings.....	25
OSD Function.....	25
F1 GOTO:	26

4/8/16 Port USB/PS2 Rack-Mountable KVM Switch User Manual

F2 SCAN: 26

F3 LIST: 27

F4 QV: 27

F5 EDIT: 28

F6 SET: 28

 OSD ACTIVATING HOTKEY..... 29

 SWITCH HOTKEY..... 30

 CHANNEL DISPLAY MODE..... 30

 CHANNEL DISPLAY DURATION 31

 CHANNEL DISPLAY POSITION..... 31

 SCAN DURATION 31

 SET PASSWORD 32

 SET SUPER PASSWORD..... 32

 CLEAR THE NAME LIST 32

 RESTORE DEFAULT VALUE 32

 LOCK CONSOLE..... 33

Appendix 34

 Safety Instruction 34

 In General 34

 Cabinet Installation 35

Specification..... 36

Overview

This User Manual will assist you in the effective use of the product features, including the installation, setup and operation of the equipment. You will find the following in this manual:

Chapter 1: Overview

This chapter introduces the Rack-Mountable KVM Switch system, including its functions, features, and benefits, also describes the front and rear panel components.

Chapter 2: Hardware Installation

This section describes how to install the product and the necessary steps - including basic single stage installation, multi-switch cascade connection installation, and IP module expansion installation.

Chapter 3: Basic Operation

Describes the basic operating concepts of the KVM switch.

Chapter 4: OSD Operation

Provides an overview of the KVM Switch OSD (Screen Menu) and explains how to use it.

Appendix

Main specifications and other technical information about the associated KVM switch.

Common Language Introduction

Symbol Text Information

- 【】 The parentheses indicate the keys that need to be entered. For example, [Enter] means to press the Enter key. For keys that need to be entered at the same time, they are placed in the same bracket, and the keys are joined by a plus sign. For example: 【Ctrl + Alt】
- 1. Numbers indicate the actual operating sequence numbers。
- ◆ It indicates that the information is provided for reference, but is not relevant to the procedure.
- It indicates the sorting sub-item information, regardless of the operation step.

Chapter 1

Introduction

Product Introduction

4/8/16 Port USB, PS2 Rack-Mountable KVM Switch is a 4/8/16 VGA computer that allows administrators to access a USB keyboard, mouse, or PS2 keyboard, mouse, and console from a group Multi-functional equipment. Supports two-tiered cascading to manage up to 256 computers from a single console;

In addition, according to the needs of users to expand the function, changed to KVM OVER IP transmission control mode, only need to add the product in the expansion card slot IP KVM module board, you can upgrade to remote network management digital KVM management device, user-friendly environment does not change the existing circumstances quickly and quickly upgrade the advanced control mode applications.

There are four convenient ways to switch the computer in the installed architecture: (1) use the switch port of the front panel selection button; (2) enter the hotkey combination from the keyboard; (3) from the OSD menu select. The auto-scan feature provides automatic scanning and monitors the computers in the installation architecture one by one. (4) through the expansion of the IP module's network port for remote network control operation even in the KVM above the computer.

This product is very fast and easy to install, simply connect the cable to the appropriate connection port, no software settings, no cumbersome installation procedures, and there will be no incompatibility issues. As the device can directly access the keyboard input data, it can operate in a variety of operating platforms (compatible PC, Mac, Sun, etc.).

The installation of a set of KVM allows the management of a computer connected to it from a single console, so it (1) can be exempted for each computer to buy individual keyboard, monitor and mouse costs; (2) save the extra equipment will take up space; (3) save energy costs; (4) to avoid the computer Inconvenience and waste of moving back and forth. (5) the rapid upgrade to IP control mode remote network control mode.

Features

- ◆ One console controls 4 , 8 or 16 computers
- ◆ Be compatible with USB / PS/2 keyboard and mouse in console and PS/2, USB keyboard and mouse in computer.
- ◆ 256 computers can be controlled by two cascades
- ◆ Computer selection via front panel switches, hot key and OSD
- ◆ connected with the accused device BIOS-level access, no worry about the risk of viruses and Trojans invasion
- ◆ the accused computer does not need to install any software or the driver, it can recognize KVM Switch directly
- ◆ It can be updated as remote control by IP card
- ◆ Support OSD to set user login mode and increase KVM login security requirements
- ◆ Support high video resolution in local and remote IP mode - Support 480i, 480p, 720p, 1080i and 1080p (1920 × 1200)
- ◆ Support wide screen resolution
- ◆ Extended IP remote control mode supports 1000M Ethernet control transmission requirements
- ◆ Support remote firmware update
- ◆ Remote can be based on the actual network bandwidth to transmit video frame rate, bit rate, the mouse pointer movement rate adjustment
- ◆ Support DDC communication, to adapt to a variety of graphics devices
- ◆ The Auto Scan function monitors all computer operations
- ◆ Support cross-platform operation - Windows, Linux, Mac * and Sun *
- ◆ PC connected to the keyboard and mouse port using “Keep Online” simulation technology mouse and keyboard, equipment security and stability, fast switching without delay
- ◆ The remote IP control mouse is absolutely coincident and automatically follow
- ◆ The remote video form can be adjusted freely to meet different display screen display requirements
- ◆ The controlled display screen can be zoomed non-polar function, any proportion of the size of the show
- ◆ Multi-window overlay technology can display multiple windows on the same remote console, and select and control any windows.
- ◆ IP expansion module uses plug and play is installed, customers do not need to disassemble, you can quickly complete the expansion of equipment installation
- ◆ Convenient and friendly remote login mode, through the browser for Web page access and related settings and query
- ◆ Three user-level settings, multi-user group settings, suitable for a variety of management requirements
- ◆ The remote control desktop can be set according to user habits two different mouse application mode

HARDWARE REQUIREMENT

Console

- ◆ A set of VGA display screen, which is compatible with the installation architecture to install any computer under the highest resolution
- ◆ A set of USB interface mouse
- ◆ A set of USB interface keyboard
- ◆ A group of PS/2 interface mouse
- ◆ A set of PS/2 interface keyboard
- ◆ IP remote control terminal 1000M network interface (optional installation)

Computer

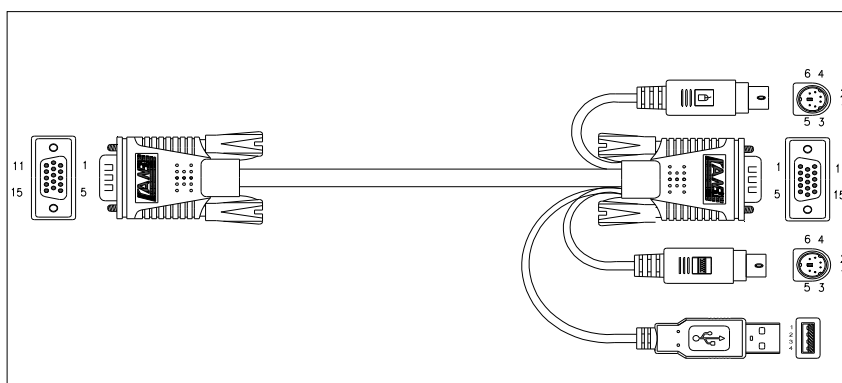
The following equipment must be installed on each computer:

- ◆ A group of VGA video display card
- ◆ USB Type A connection port
- ◆ PS/2 keyboard, mouse port

Cable

KVM devices provide three connection cables according to the user's use to select:

- ◆ VGA+ USB (Type A) + PS/2 Keyboard (Purple) +PS/2 Mouse (Green)



Note: The cable length affects the quality of the display. To purchase custom KVM cable sets, contact your dealer.

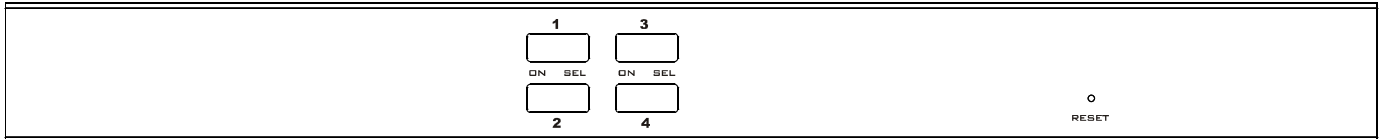
Operation System

Operation System		Version
Windows		Windows 2000/XP/2003/2008/Vista/7/10
Linux	RedHat	9.0 or higher
	SuSE	10/11.1 or higher
	Debian	3.1/4.0
	Ubuntu	7.04/7.10
UNIX	AIX	4.3 or higher
	FreeBSD	5.5 or higher
	Sun Solaris	8 or higher
Mac		OS 9.0~10.6 (Snow Leopard)
Novell	Netware	6.0 or higher

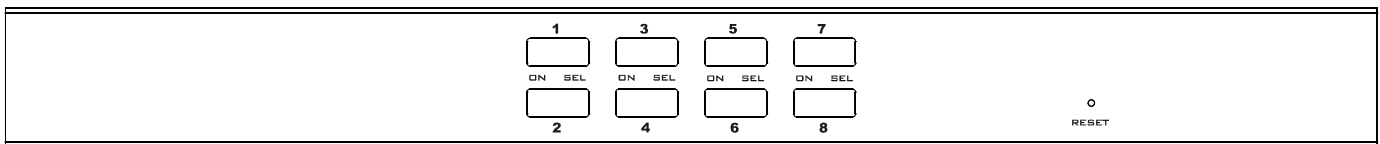
More operating system support, please pay attention to the latest version of the relevant product compatibility.

Component

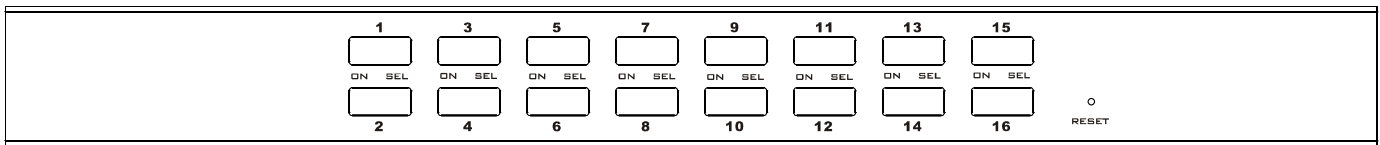
Front View



4 port selection switches



8 ports selection switches



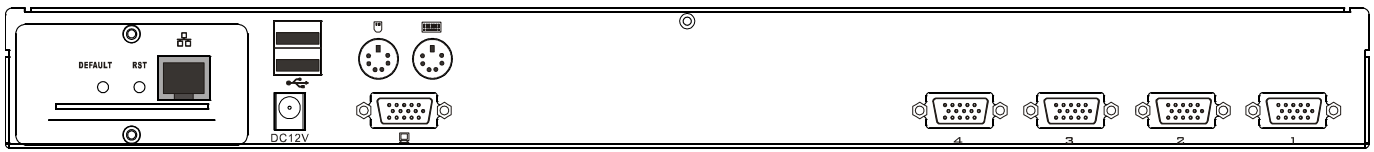
16 ports selection switches

↓
1&2

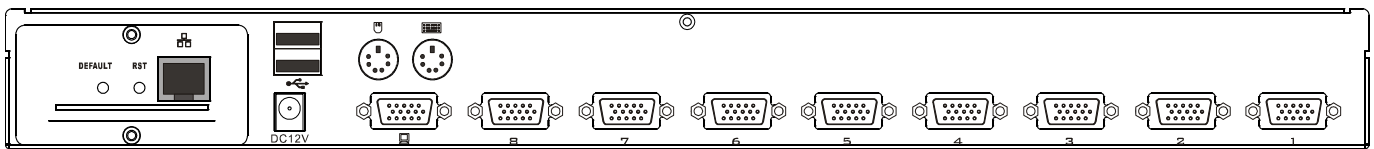
↓
3

No.	Section	Function
1	Port Selection Switches	Press a switch button to access the computer attached to its corresponding port. The internal buzzer beeps, it means that the switching action is performed correctly, The selected port LED will light up as well.
2	Port LEDs	The port LEDs are built into the Port Selection Switches. The upper ones are the On Line LEDs; the lower ones are the Selected Port LEDs: <ul style="list-style-type: none"> ◆ The On Line LEDs light RED to indicate that the computer attached to the corresponding port is up and running. ◆ The Selected LEDs light GREEN to indicate that the computer that attached to the corresponding port is the one that has the KVM focus.
3	Reset	If KVM has no responding, plug needle or ballpoint pen into the hole to reset KVM

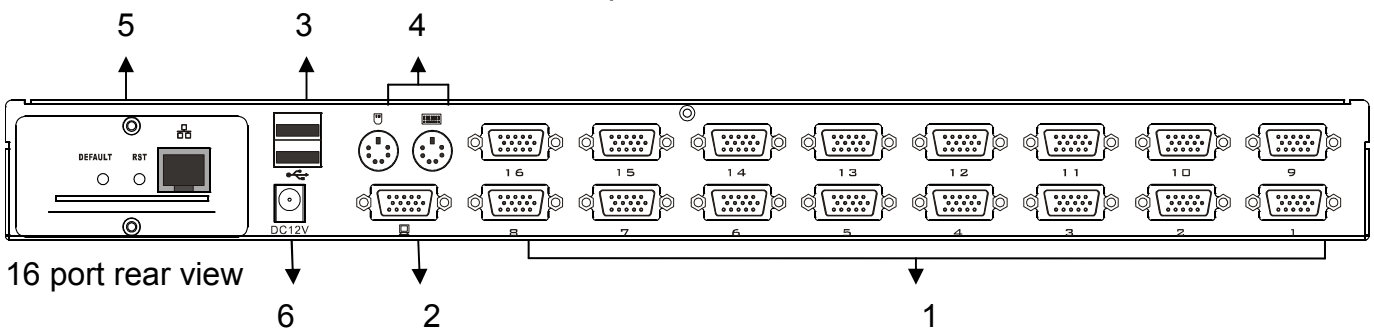
Rear View



4 port KVM rear view



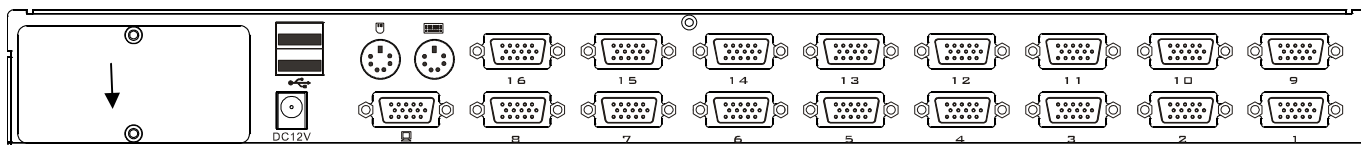
8 port KVM rear view



16 port rear view

No.	Section	Function
1	KVM Connection Port	Port to connect computer. Connect one end of the VGA connector of the corresponding KVM cable to this, and the other end of the keyboard connector to the port corresponding to the PC. (Refer to the description of "Cable" in the relevant section.)
2	VGA port	Connect the VGA cable from the control panel to this port.
3	USB Keyboard, Mouse port	Plug your USB keyboard, USB mouse. USB Type A (Optional)
4	PS/2 Keyboard, Mouse port	Plug your PS/2 keyboard, PS/2 mouse (Optional)
5	IP Remote Control Part	To provide users with remote network control. (Refer to the instruction manual of the module product for specific operation.) (Optional)
6	Supply hub	Plug the power adapter here.

If you purchase the product does not contain IP expansion module is similar to the product shown below.



1No IP Module Rear View

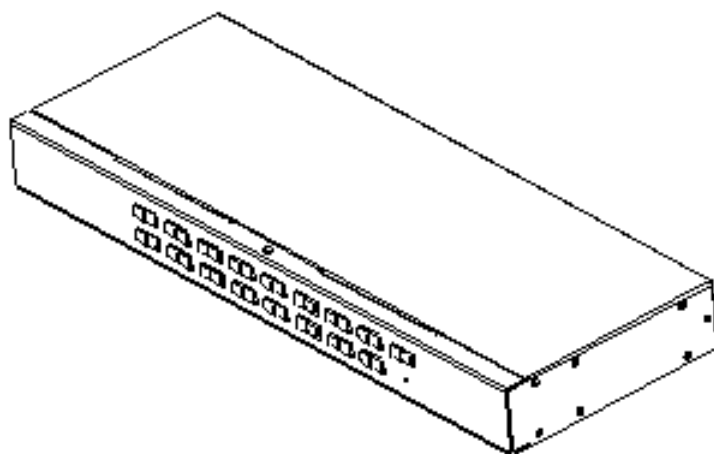
The part marked with "1" is the external baffle of the extended IP module, and it needs to be removed and replaced to install the IP module. (For details, refer to the description of the hardware installation section.)

Chapter 2

Installation

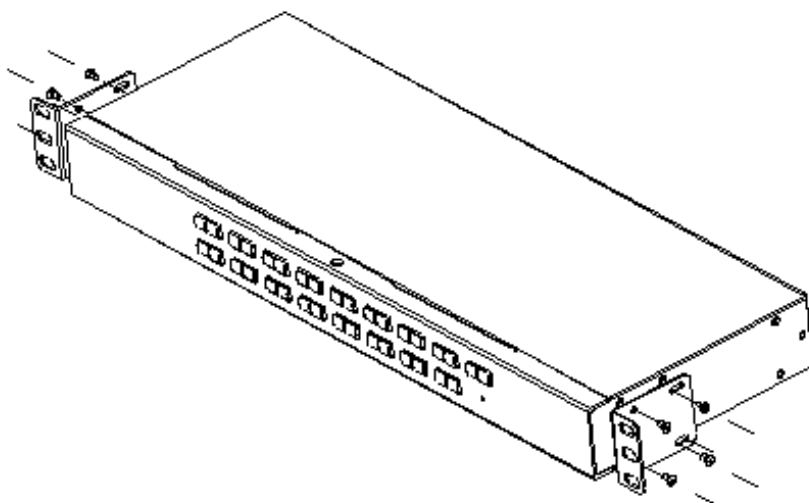
Placement and Installation

The KVM switch can be placed in any suitable plane and sufficient to securely support the weight of the equipment plus additional cables.



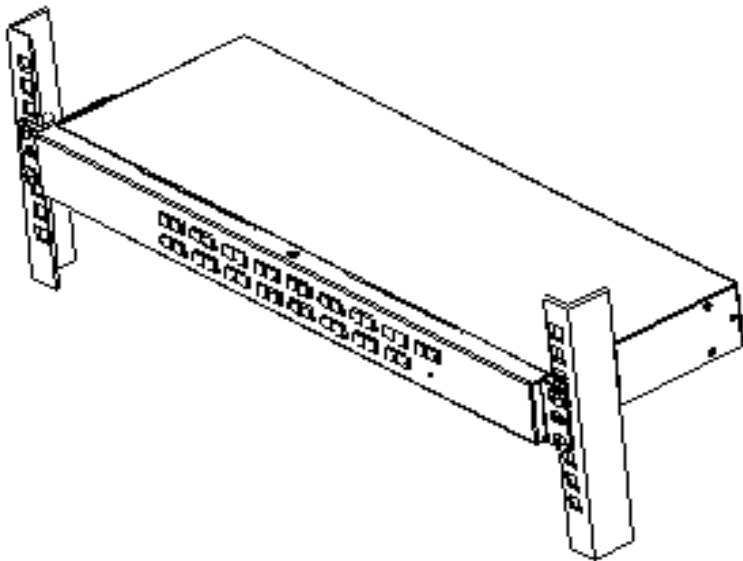
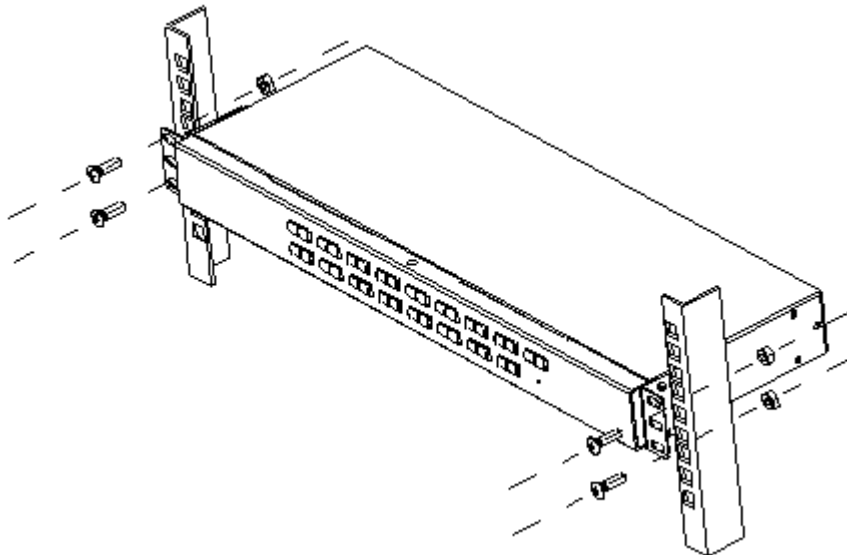
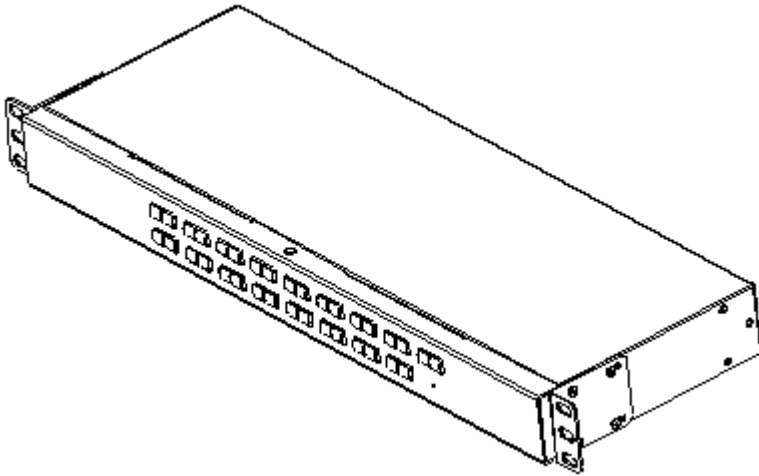
Cabinet Installing

1. Remove the two screws on the left and right side of the front of the unit (two screws in total).
2. Use the screws supplied with the package rack assembly kit to secure the rack retention tabs to the front of the unit.



3. Install the KVM switch with the mounting plate attached to the rack, and align the mounting

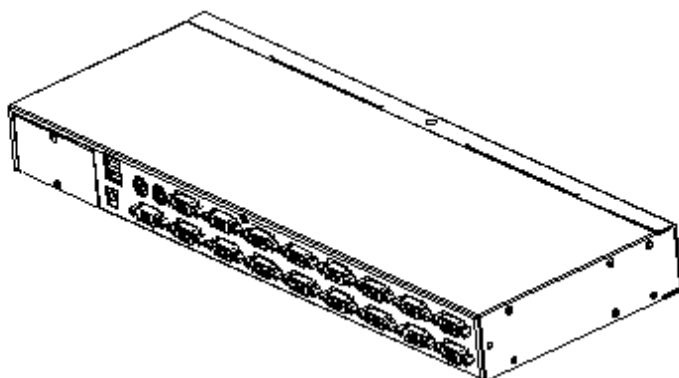
hole of the mounting plate with the mounting hole on the rack. Use the rack mounting screws in the mounting bracket to secure the mounting plate to the front end of the rack tight.



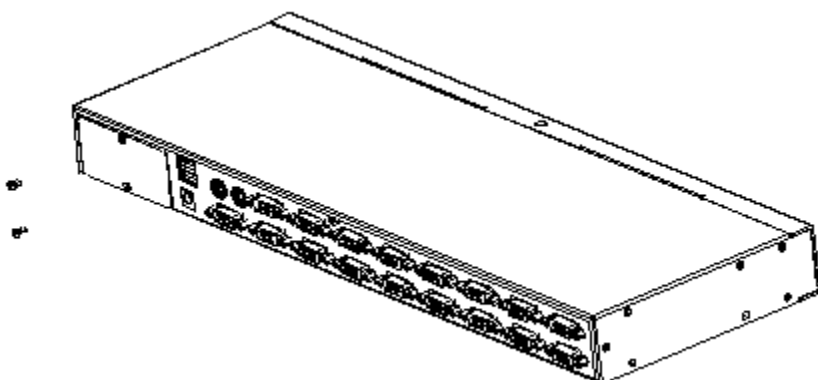
Expansion IP Module Installation

If you buy a KVM switch, and need to increase the remote control and operation, you can buy the IP module directly from the dealer for equipment upgrades and expansion, the operation method is simple and quick, can quickly enhance the integrated management of KVM Application ability.

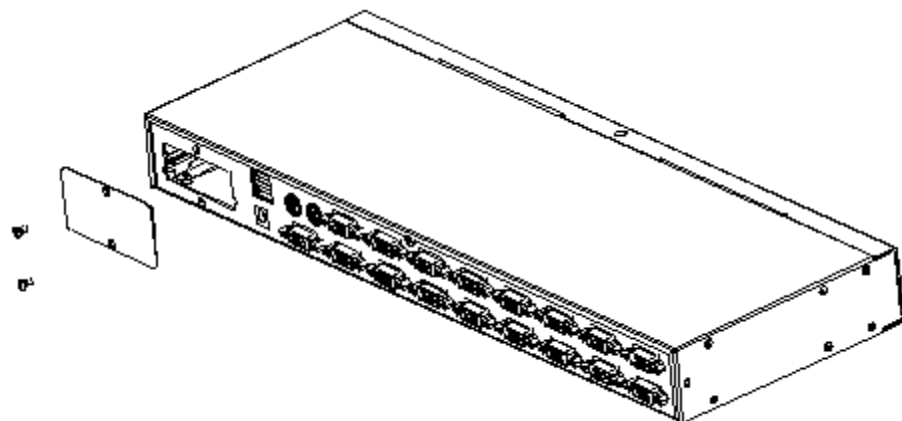
1, find the rear of the device, expansion slot outside the blank position for installation, you need to prepare a screwdriver for removal and installation tools.



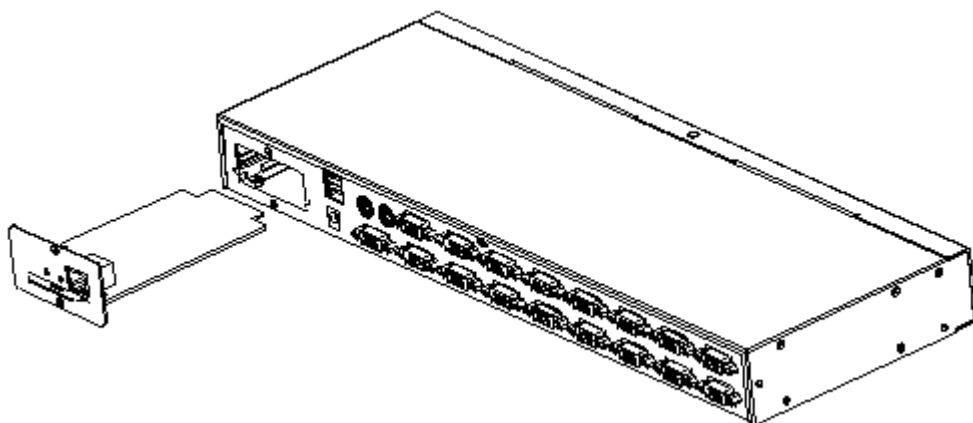
2, Use a screwdriver to remove the two fixing screws on the blank before installation.



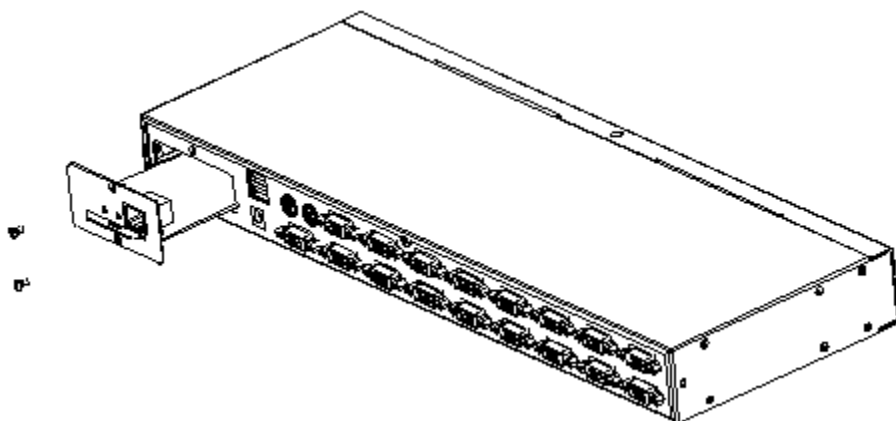
3. After removing the blank, you can see the cavity which install the IP module, keep the screws which are removed down.



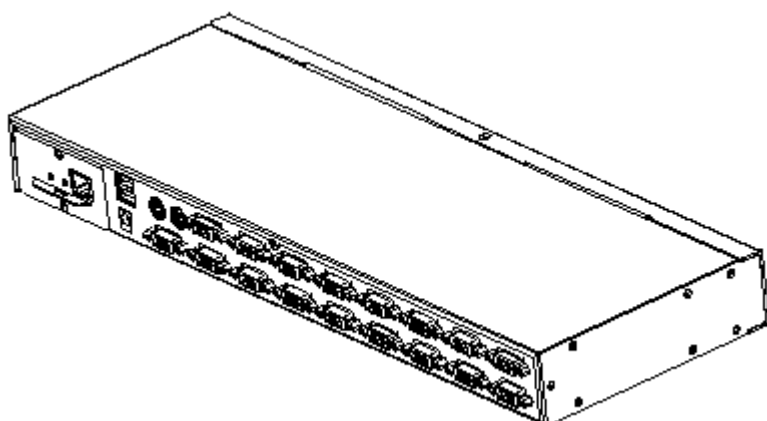
4. Take the extended IP module and push it gently into the recess in the mounting module cavity as shown.



5. Push the IP module to the bottom, and then tighten the IP module with the two screws which removed from the front panel.



6. After finishing the installation of the IP module, please follow the instructions of the IP module user manual to install the software and network IP configuration of the device before connecting the network cable to the switching equipment. Then, you can access the network to log in to use. (For details, refer to the IP module's user manual.)



Single device installation

Note: Before installation, make sure that the equipment is powered off. To prevent damage to the equipment during installation, make sure that all the devices installed are well grounded.

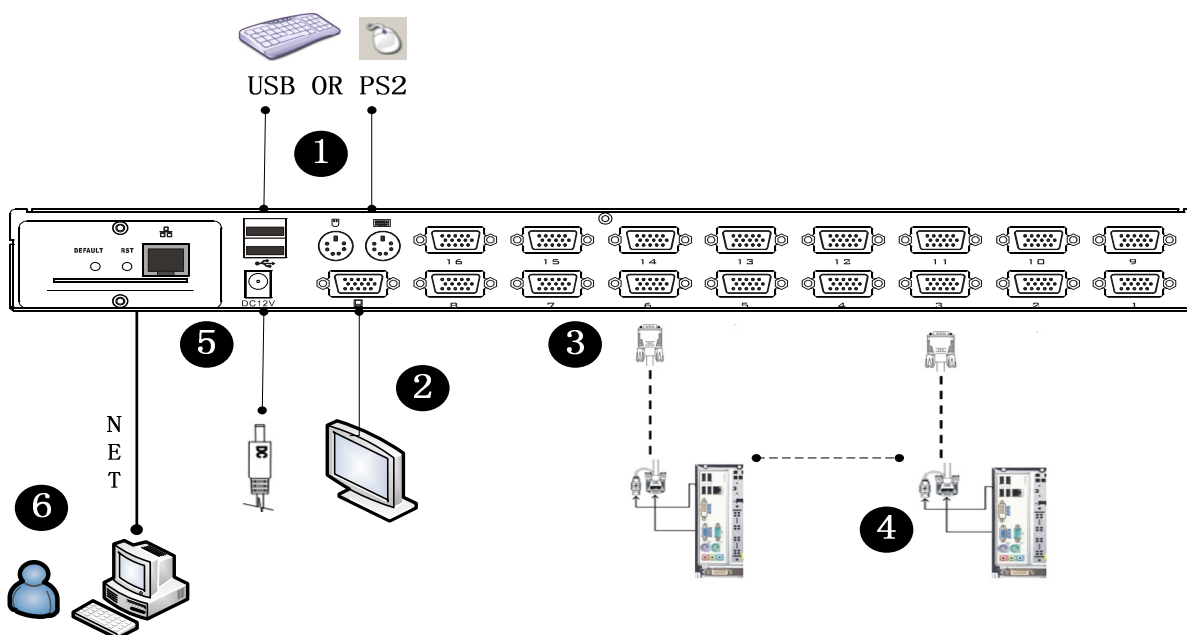
To install a single-level KVM, refer to the following online diagrams (numbered in the order of steps on the online graph) and operate as per bellowing:

1. Plug your USB keyboard, mouse, or PS/2 keyboard and mouse into the USB or PS/2 console port on the rear of the switch.
2. Connect the VGA monitor's video signal cable to the VGA console port and turn on the power.
3. Plug the VGA connector into the VGA port of any available VGA port on the switch by using a set of KVM cables corresponding to the product model.
4. Connect the corresponding VGA video connector, USB or PS/2 connector of the KVM cable to the corresponding PC port.
5. Plug the power adapter supplied with this package into the AC power supply, and plug the other end of the power adapter into the power jack on the switch.
6. Connect the network cable to the IP port of the IP module.
7. Turn on the computer.

Note: 1. Make sure all plugs are connected to the same set of KVM port jacks (all on port 1, or all on port 2).

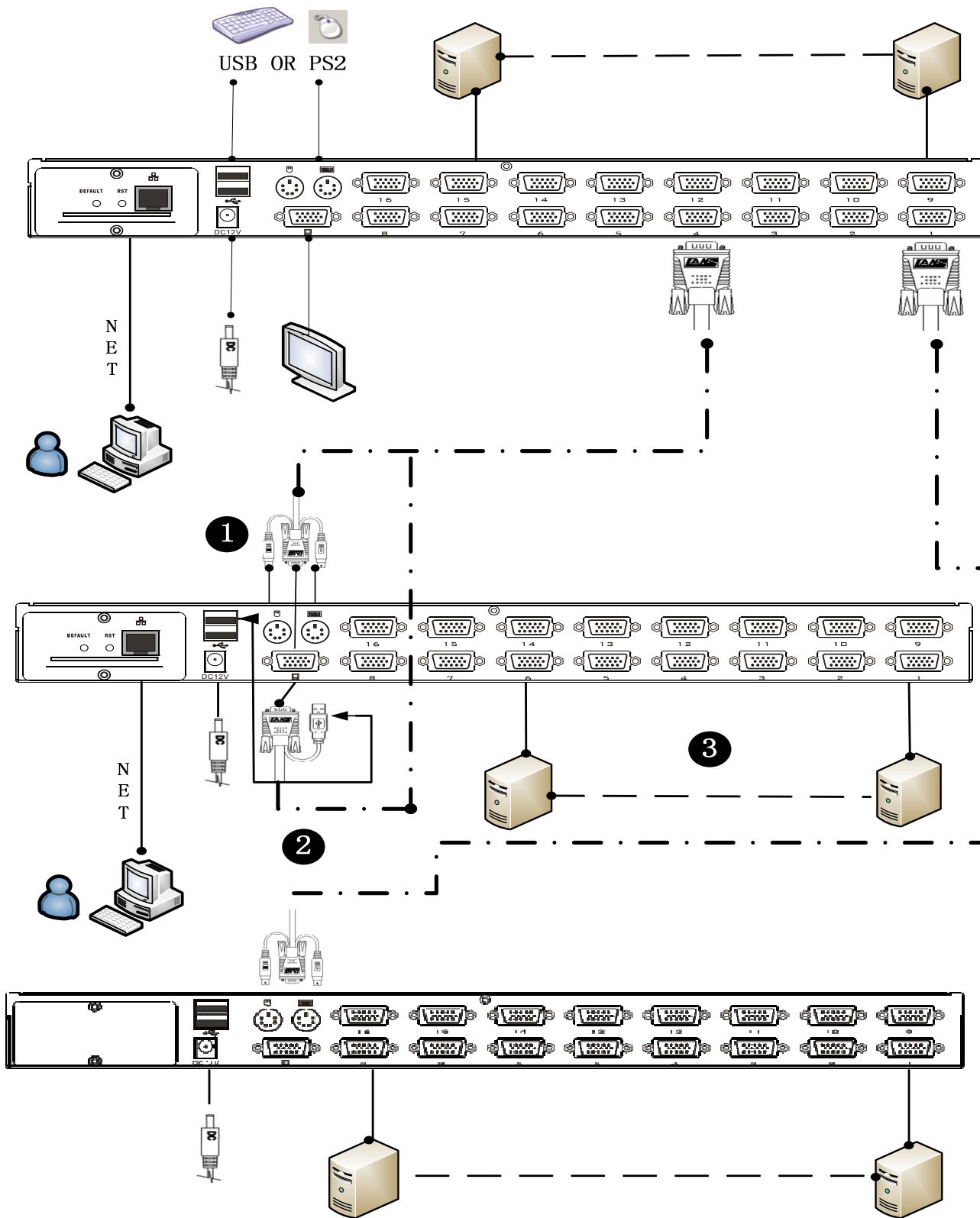
2. The IP module is an optional module of the product. If the product you purchased does not contain the module, please ignore the related operation in Step 6.

3. Before using the IP module, please make the corresponding configuration and network debugging, and then connect to the network you want to connect. Otherwise, the IP module may not be able to control normally because of the connection failure. (Refer to the manual of the IP module product manual for how to use and debug the IP module.)



Cascade device connection

This product can be cascaded to increase the number of controlled devices, combined with IP remote control mode can be flexibly used in a variety of user environment requirements.



The cascade mode, it's the same method of keyboard, mouse and computer connections as stand-alone connection, this part will not repeat them, the number part of the description is as follows:

1. A cascaded KVM switch can be connected in two ways by using a USB KVM cable (as shown in connection number 2 in the figure) or a PS/2 KVM cable (as shown in connection number 1 in the figure) Connect to the upper-level switcher.
2. The number of computers connected to each level can be free to increase or decrease according to your needs, the reference number 3 shows the connection method.
3. Between the cascade connection devices, it can be optional for remote control, can also be handed over from the top of the KVM switch local and remote as a unified control and management operations.

Note: This product cascade mode is divided into two levels, so you need to set the two levels of the OSD menu hot-key for two different hot-key combination, or cascade can not start the OSD (Refer to the OSD chapter for details on the OSD Hot Key settings.)

Chapter 3

Basic Operation

Hot Plug

The KVM switch supports hot-swapping, removing and removing components by unplugging the cable from the computer's connection port without shutting down the switch. To make the hot swap function work properly, please follow the steps as below.

Hot-Plugging Computer Port

In order to make the OSD menu can correspond to the KVM port changes, you must re-set the OSD menu to display the latest connection port information and OSD menu settings. Refer to the OSD Menu section for more information.

Note: If your computer's operating system does not support hot-plug functionality, this feature may not work properly.

Hot-Plugging Console Port

This product also supports keyboard, mouse and display hot-plugging function. This product supports keyboard and mouse interface of two interface types. Users can select the corresponding device connection type according to the usage and carry out corresponding control operation.

Note: Please do not access the USB and PS/2 keyboard, mouse device at the same time, otherwise, may cause the accused computer equipment mouse and keyboard response exception.

Connection Port Selection

KVM switch in use, you can choose three ways to quickly switch to any one computer connected to KVM: manual key selection, OSD menu screen selection, hotkey selection.

Manual Selection

Use the buttons on the front panel for port selection.

OSD Menu Screen Selection

(Please check the OSD Operation Chapter for more information)

Hot-key Selection

This product offers four methods for hot-key switching:

【SCROLL】 + 【SCROLL】 + 【NUM】

【CTRL】 + 【CTRL】 + 【NUM】

【SHIFT】 + 【SHIFT】 + 【NUM】

The default hot-key toggle key combination is 【SCROLL】 + 【SCROLL】 + 【NUM】 , the 【NUM】 is the keyboard no. 1-16, after the keyboard combination hot-key input is finished, press 【ENTER】 to completes the command transmission, KVM switch will switch the corresponding number of the port computer. If you want to change the key combination of the hot-key, you can set and change the corresponding options in the OSD menu. (Please check the OSD Operation chapter for more information.)

Power Off and Re-start

If you need to power off the KVM switch, please do the following steps before re-starting:

1. Unplug the power supply to the KVM.
2. Shut down all the computers connected to the KVM switch.
3. Wait about 10 seconds and then reconnect the KVM switch.
4. turn on the computer power.

Note: If the PS/2 KVM cable is connected to the PC, you must connect the PS/2 cable to the PC before powering on. Otherwise, the keyboard and mouse will not operate normally.

Chapter 4

OSD Operation

OSD Introduction

OSD (On Screen Display), provides a menu driven interface to handle the computer switching procedure to provide instant access to any computer on the installation.

OSD Log in

The OSD function provides a two-level (administrator / user) password mechanism. The factory default setting is no need to login password authentication, so you are the first time to open the OSD main menu, no need to enter the login password to enter the OSD main menu screen for the corresponding operation. If you want to add this function, you can enter the OSD menu, in **【F6】** "SET" option to set the login password is set successfully, the subsequent login requires the correct administrator / user password to enter the OSD menu Interface operation. When you enter the setting options, some functions may need to be edited and modified by the administrator. The default administrator password is admin. You can also modify and change them as needed.

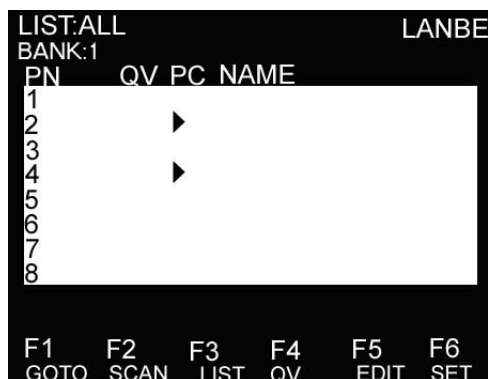
OSD Hot-Key

By default, you can type the [CTRL] key twice to have the OSD menu appear on the screen of the controlled display and see the connection information and status information about the connected computers on the KVM switch.

Note: You can change the keyboard hotkey on the OSD menu according to your needs. This product provides 4 sets of optional OSD menu hotkey combinations. You can select the operation according to your needs. (Please refer to the OSD menu for detailed description.)

OSD Menu Interface

After starting the OSD, the menu interface is shown as below:



- ◆ **【F1】 --- 【F6】** at the bottom of the screen is the function setting of OSD menu, and corresponding operation and setting of corresponding function by keyboard.
- ◆ After entering the OSD main screen, the port number in the center of the screen is the port number of the selected PC. To move up and down through the list one line at a time, use the **【↑】【↓】** Arrow Keys, press **【Enter】** to select the switch port.
- ◆ Please press **【Esc】** to exit the OSD menu interface
- ◆ To move up or down a row in the list, use the **【↑】【↓】** arrow keys. If the number of rows in the list is larger than the number that the screen can display, the screen scrolls.
- ◆ When the OSD menu is closed, a small blue window will appear on the screen showing the port number that is currently switched to.

OSD Main Screen Headings

Heading	Explanation
PN	This column lists the port numbers for all the CPU ports on the installation. The simplest method to access a particular computer is to move the highlight bar to it, then press [Enter].
QV	If a port has been selected for Quick View scanning, an arrowhead symbol displays in this column to indicate so.
PC	The computers that are powered on and are on line have an arrowhead symbol in this column to indicate so.
NAME	If a port has been given a name, its name appears in this column.

OSD Function

OSD functions are used to configure and control the OSD. For example, you can: rapidly switch to any port; scan selected ports only; limit the list you wish to view; designate a port as a Quick View Port; create or edit a port name; or make OSD setting adjustments.

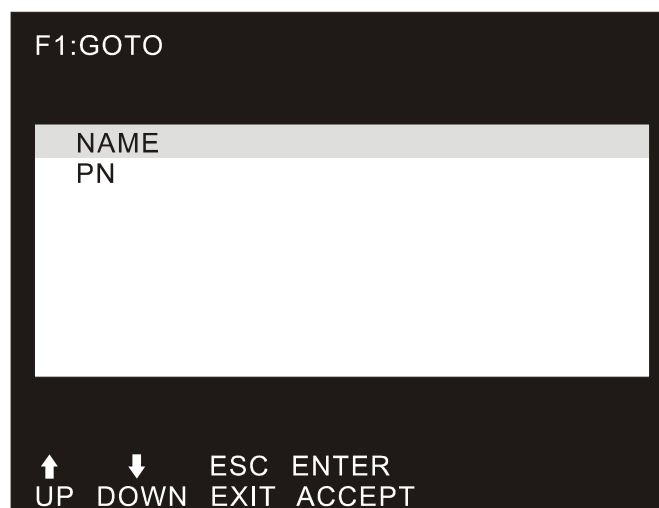
To activate the OSD function key:

1. Press any function key **【F1】 --- 【F6】** at the bottom of main screen to input the function key.
2. On the sub-menu, move the selection column to the option, and then press the {Enter} key.

3. Press the **【Esc】** key to return to the previous menu.

F1 GOTO:

Press the **【F1】** key to start the GOTO function. The GOTO function allows you to switch directly to the connection port by typing the port name or its port number.



1. To use "NAM" method, move highlight bar to "NAME", press **【Enter】**, input name of a port, then press [Enter] to confirm.
2. To use PN method, move highlight bar to "PN", press **【Enter】**, input port number, then press **【Enter】** to switch. If the port number is invalid, it will remind the user to input again.

Note: 1. When keying name, if there is a matching name, the matched name will appear on the screen, just press [Enter] to switch to that port.

2. In the "PN" port input box, only allow the input of numbers, such as the input of other characters are regarded as invalid input, and can hear the equipment issued by the warning tone.

To return to main menu, press [Esc].

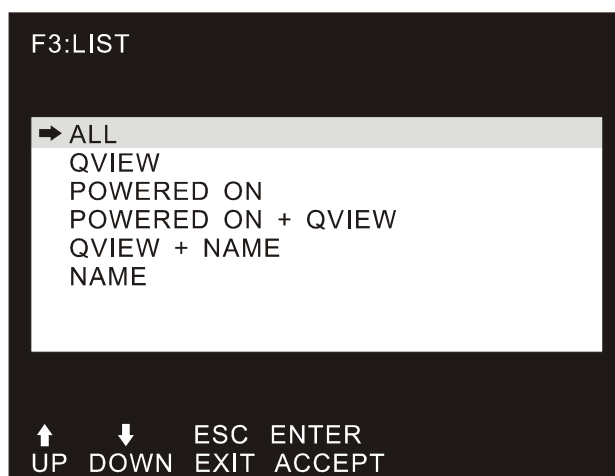
F2 SCAN:

The "SCAN" function allows you to perform automatic port scanning of the connected computers. Users can switch ports in order to view the corresponding port computer status.

- ◆ The SCAN function can automatically scan from current selected port, the scan interval can be set by users.
- ◆ When scanning, a small window on the screen indicates the current port number.
- ◆ Press [Space] to stop scanning, and the KVM switches to the port last scanned.

F3 LIST:

The LIST function lets you broaden or narrow the scope of which ports the OSD displays on the main screen.



Many of the OSD functions only operate on the computers that have been selected for listing on the main screen with this function. The choices and their meanings are given in the table below:

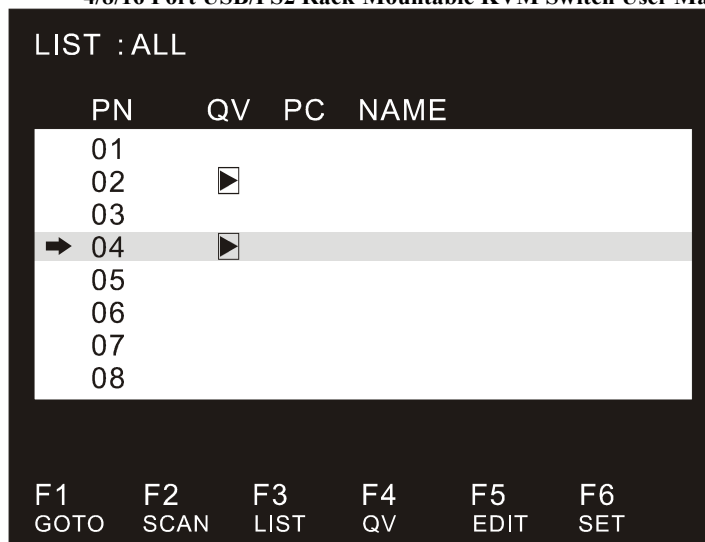
Choice	Meaning
ALL	Lists all of the ports on the installation.
QVIEW	Lists only the ports that have been selected as Quick View Ports.
POWERED ON	Lists only the ports that have their attached computers powered on.
POWERED ON + QVIEW	Lists only the ports that have their attached computers powered on and have been selected as Quick View Ports.
QVIEW + NAME	Lists only the ports that have been selected as Quick View Ports and have name.
NAME	Lists only the ports that have names.

Move the highlight bar to the choice you want, then press [enter]. An icon appears before the choice to indicate that it is the currently selected one.

After you make your choice and press [Enter], you return to the OSD main screen with the newly formulated list displayed.

F4 QV:

QV function can select port as Quick View.



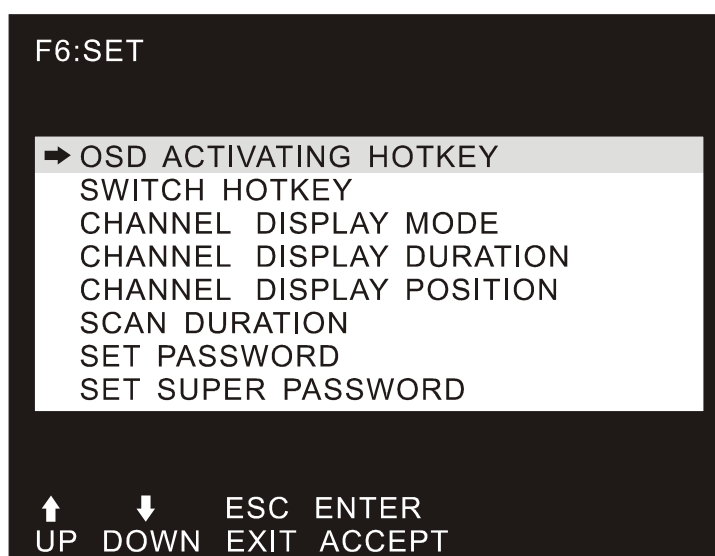
Move the highlight bar to a port, press [F4], an icon of up triangle appears. Press [F4] again, the icon disappears.

F5 EDIT:

EDIT function creates or edits the name of a port. Press [F5], a pink edit box will appear on the screen. Input name, and then press [Enter], the port is set a name and it will also appear on the screen.

F6 SET:

SET function settings can be set to the administrator and the user to set the OSD menu. The related functions and user rights related settings, such as management settings login password, display mode, switch hotkey adjustment and so on.



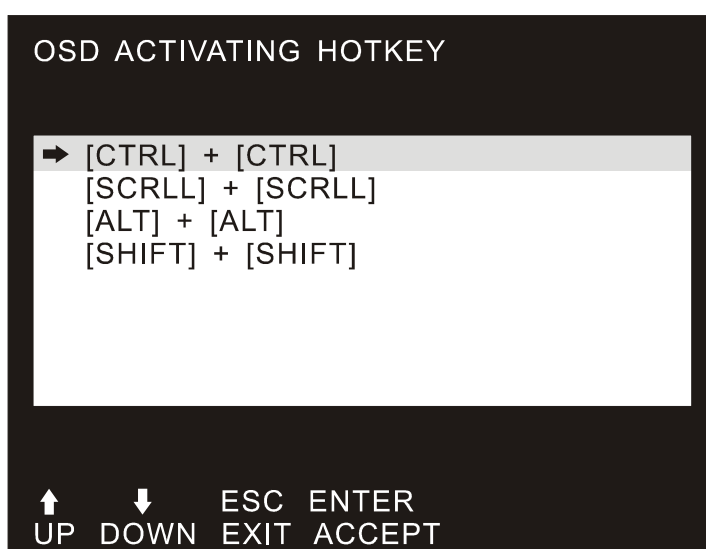
To change your settings:

1. Move the highlight bar to an option, press **【Enter】** to enter a setting option.

2. After selecting an item, the sub-menu and the further options provided will appear. To select it, double-click the mouse or move the selection column to the option, and then press the [Enter] key, an icon will appear. Select the option before to indicate that the item has been selected. The settings are described in the following table:

Settings	Function
OSD ACTIVATING HOTKEY	OSD Menu Activates hotkey combination selection settings
SWITCH HOTKEY	KVM port switch hot-key combination selection setting
CHANNEL DISPLAY MODE	Port display mode selection
CHANNEL DISPLAY DURATION	Select the Port form to display the Dwell Time setting
CHANNEL DISPLAY POSITION	Select the port form display location settings
SCAN DURATION	Port scan dwell time setting
SET PASSWORD	User login password settings
SET SUPER PASSWORD	The administrator login password settings
CLEAR THE NAME LIST	Clear the port name setting
RESTORE DEFAULT VALUE	Reset
LOCK CONSOLE	OSD Menu Password Login Function settings

OSD ACTIVATING HOTKEY



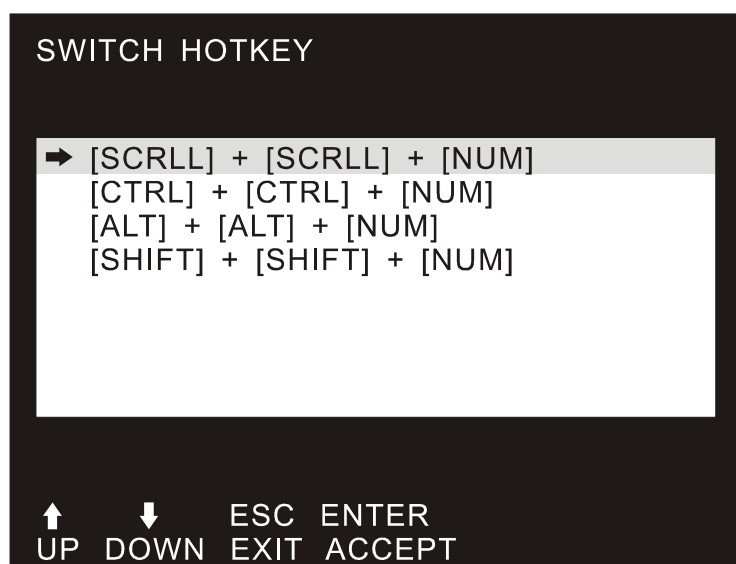
It provides you with four hotkey combinations:

You can use the keyboard **【↑】** **【↓】** to move cursor to select, and then press **【Enter】** key to save. The default is to use **【CTRL】【CTRL】** as the OSD menu start hotkey.

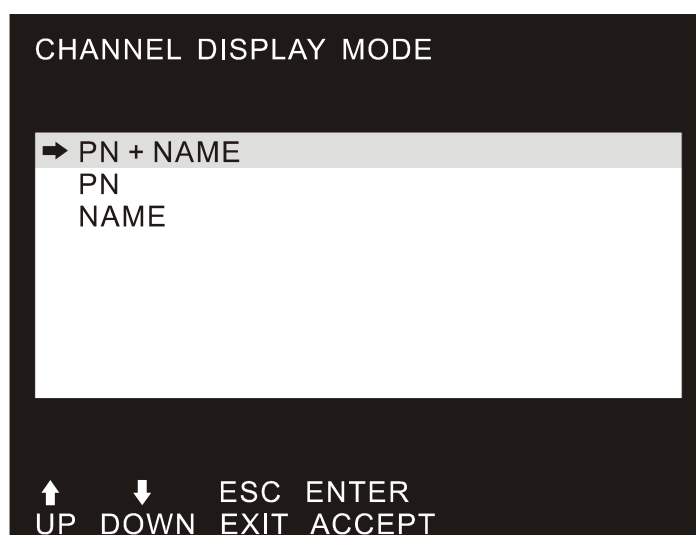
SWITCH HOTKEY

It provides you with four hotkey combinations:

【SCROLL】【SCROLL】【NUM】、【CTRL】【CTRL】【NUM】、【ALT】【ALT】【NUM】、【SHIFT】【SHIFT】【NUM】 You can use the keyboard 【↑】 【↓】 to move cursor to select, and then press 【Enter】 key to save. The default is to use 【SCROLL】 【SCROLL】 【NUM】 as the OSD menu start hotkey. 【NUM】 is the numeric keypad of the keyboard. The valid numeric range is 【1】 - 【16】 .

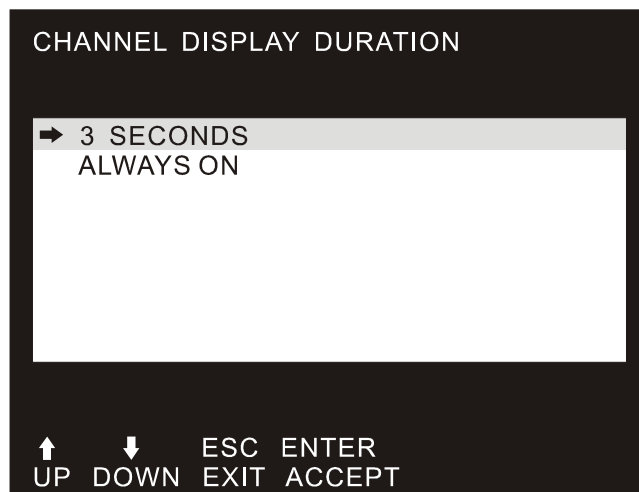


CHANNEL DISPLAY MODE



This function provides three different port display modes: PN + NAME port serial number and port name, PN only show port serial number, NAME only show port name. You can adjust according to the actual needs of choice, the initial default PN + NAME mode.

CHANNEL DISPLAY DURATION



Time the tip window last.

Options are following:

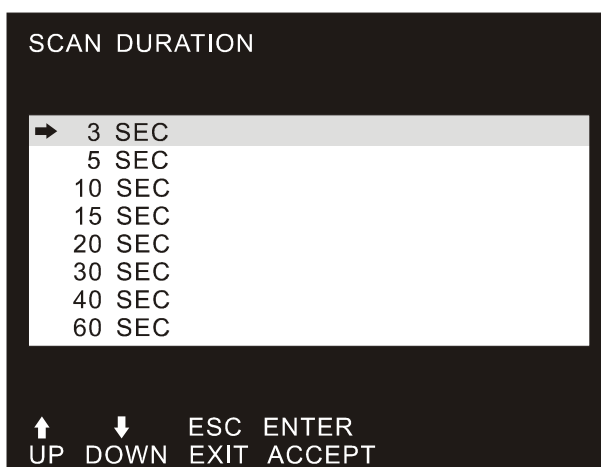
- ◆ 3 SECONDS The tip window lasts for 3seconds.
- ◆ ALWAYS ON The tip window always on the screen.

CHANNEL DISPLAY POSITION

Position of the tip window.

A small blue window appears on the screen. Use arrow key to move it, then press [Enter] to specify the position.

SCAN DURATION



Duration for scanning one port.

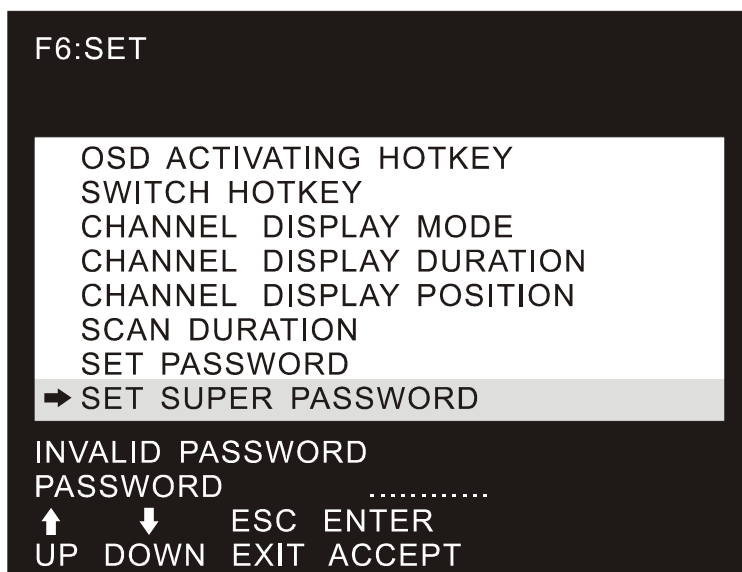
Options are 3 seconds, 5 seconds, 10 seconds, 15 seconds, 20 seconds, 30 seconds, 40 seconds, 60 seconds. Move the highlight bar to an option and press [Enter] to select it.

SET PASSWORD

Set new password.

First enter old password, then enter new password and confirm it. The new password is set. If error occurs, the screen will remind users.

SET SUPER PASSWORD



设置管理员密码时，需要正确输入原来的密码。才可以更新新密码，连续正确输入两次，新密码生效。When setting the administrator password, you need to enter the correct password. Before new password is updated, input the previous password twice, the new password to take effect.

CLEAR THE NAME LIST

This function clears the name of a port in the OSD menu. If you use this function, all the port names will be emptied, so please do it carefully. When doing this, you need to verify the password of the administrator, input **【Y】** key, then press **【Enter】** to confirm the operation. To cancel this operation, input **【N】** key, and then press **【Enter】** to confirm the cancel operation, or keyboard input **【Esc】** directly back.

RESTORE DEFAULT VALUE

Restore settings to default value. This setting will make all the OSD menu options to restore the initial settings, so please be careful to do this. When doing this, you need to verify the password of the administrator, input **【Y】** key, then press **【Enter】** to confirm the operation. To cancel this operation, input **【N】** key, and then press **【Enter】** to confirm the cancel operation, or keyboard input **【Esc】** directly back.

LOCK CONSOLE

You cannot switch or scan after you lock the console (including switch by push button on the panel or OSD). You need to enter password to set.

Note: After Locking the console, you can also unlock the console by this option. It also needs password verification.

Safety Instruction

In General

- ◆ This product is for indoor use only.
- ◆ Please read all the instructions for future reference.
- ◆ Follow all the warnings and instructions on the device.
- ◆ Do not place this equipment on any unstable surface (such as cart, stand, table, etc.). If this equipment falls, it will cause serious damage.
- ◆ Do not use this equipment near water.
- ◆ Do not place this equipment near or over the radiator or heating equipment.
- ◆ The enclosure is provided with slots for heat dissipation and ventilation. To prevent overheating during operation, do not block or cover the openings.
- ◆ Do not place the device on a soft surface (such as a bed, sofa, blanket, etc.). This will block the fan opening and can not be placed in a sealed environment unless proper ventilation is provided.
- ◆ Do not spray any liquid on the device.
- ◆ Before cleaning, please unplug the power from the wall socket. Do not use any liquid or foam cleaner. Use a damp cloth to clean it.
- ◆ Please use this equipment according to the type of power supply on the label. If you are not sure whether the power supply type is available, please contact your dealer or your local power company.
- ◆ This equipment is designed for IT distribution system with 100V ~ 230V phase-to-phase voltage.
- ◆ To prevent damage to your device, it is important that all equipment be properly grounded
- ◆ Do not place anything on the power cord or cable, and route the power cord and cable routing to avoid tripping over it.
- ◆ If the equipment uses an extension cord, make sure that the total capacity of all products using the line does not exceed the current carrying capacity of the line. Ensure that the total current of all products plugged into the wall outlet does not exceed 15A.
- ◆ Use a surge suppressor, regulator, or uninterruptible power supply (UPS) to help protect your system from sudden, transient, and reduced power.
- ◆ Please fix the system cable and power cord properly, and make sure nothing is pressing on the cable.
- ◆ Do not insert objects into the machine through the slots of the housing. There is a risk of exposure to dangerous voltage points or short-circuiting of parts resulting in fire or electric shock.
- ◆ Do not attempt to repair the equipment by yourself. Please consult a qualified service person for support.
- ◆ If any of the following conditions occur, unplug the unit from the wall outlet and return it to a

qualified service representative for repair.

- The power cord or plug is damaged or worn
 - Liquid is spilled into the unit
 - The device is exposed to rain and water
 - The device has been dropped or the housing has been damaged
 - The function of the device is obviously changed
 - The machine can't be operated normally as instructed by the operating instructions
- ◆ Adjustment only for the control functions covered by the operating instructions, and other inappropriate operations may cause damage, requiring more qualified personnel to perform repairs.

Cabinet Installation

- ◆ Before cabinet installation, make sure that the fixing device is securely fastened to the rack and extended to the ground. The weight of the whole rack can be dispersed on the floor. Mount the front and side securing devices in a single rack or the front-end fixtures in combination with multiple racks before starting rack work.
- ◆ Install from the bottom to up in the cabinet, and install the heaviest things first.
- ◆ When extending the equipment from the rack, make sure that the rack is stable and stable.
- ◆ Be careful when releasing the latch by pressing the device rails and sliding the unit into the rack. The track of the slide rail may clip to your finger.
- ◆ After mounting the device to the rack, carefully spread the rails to the locked position, and then slide the unit into the rack.
- ◆ Do not overload the AC supply branch circuit that supplies power to the rack. The total load capacity of the rack should not exceed 80% of the branch circuit.
- ◆ Make sure that all equipment used on the rack - including electrical outlets and other power connectors - is properly grounded.
- ◆ Make sure you have provided proper airflow for the equipment on the rack.
- ◆ Make sure that the operating temperature of the rack environment does not exceed the maximum operating temperature set by the manufacturer.
- ◆ Do not stand on or stand on any other equipment while you are servicing other equipment on the rack.
- ◆ **WARNING:** Slide / rail (LCD / KVM) mounting equipment can not be used with support brackets or work areas.

Specification

Function		4 port	8 port	16 port	
Computer Connections	Direct	4	8	16	
	Cascade(Max)	64	128	256	
CPU Port Selection		OSD Menu, Front Panel Hot-Key, Hot-key, Remote Control IP (Optional)			
Connector	Console Connectors	Video	1 x VGA DB15 Female Blue		
		Keyboard	1 x USB Type A Female, 1 x PS2 Female (Purple)		
		Mouse	1 x USB Type A Female, 1 x PS2 Female (Green)		
	Computer Connectors	Video/Keyboard/Mouse	4 x VGA DB15 Female (Blue)	8 x VGA DB15 Female (Blue)	16 x VGA DB15 Female (Blue)
	Power		1 x DC		
IP Module Network Interface		1 x RJ45			
Toggle Switch	Connection Port Selection	4 x Button	8 x Button	16 x Button	
	KVM Reset	1 x Semi-embedded keys			
	IP Module Reset	1 x Semi-embedded keys			
	IP Module Default	1 x Semi-embedded keys			
LEDs	Computer Selection Port	4 x Green	8 x Green	16 x Green	
	On Line	4 x Red	8 x Red	16 x Red	
	IP Module Network Interface	1 x Green, 1 x Orange			
Analog Mode	Keyboard, Mouse	USB, PS2			
Video resolution (Max)		1920 x 1200 @ 60HZ Local & Remote			
Scan time interval		3, 5, 10, 15, 20, 30, 40, 60s (3s by default)			
Operating Environment	Operating temperature	-10°C~50°C			
	Storage temperature	-20°C~60°C			
	Humidity	0-80%RH, No Condensation			
Physical Properties	Housing	Metal			
	Size	432 x 155 x 44 mm			
	Weight	1.82KG			