

LCD Console User Manual

User Manual Explain

INTRODUCTION	3
FEATURES.....	4
PRODUCT TYPE.....	5
VIEW OF PRODUCT	6
FRONT VIEW	6
REAR VIEW	7
DIMENSION.....	8
KVM SWITCHES PACKING LIST	9
LCD CONSOLE CONNECTING WIRE.....	10
LCD CONSOLE POWER WIRE.....	11
OPERATION	12
CONNECTION OF KVM SIGNAL WIRE.....	12
Before Use	13
During Use.....	13
After Use.....	14
Hot Plug.....	14
Power On/Off and Reboot	14
Assembling & Disassembling.....	15
STANDARD RACK INSTALLATION.....	17
OSD OPERATION	19
OSD OVERVIEW	19
OSD NAVIGATION	19
OSD MAIN SCREEN HEADINGS	20
OSD FUNCTIONS	20
SAFE GUIDE	23
NOTE.....	23

INTRODUCTION

LCD Console is one witch integrate a multiple ports KVM switch into 1U height. It controls multiple computers with one platform (keyboard, mouse and monitor).

A KVM switch can control 4/8/16 PC by direct connection and it can control 256 PC at most by 2 level cascade connection.

It is easy and quick to install. Just connect the wire to the correct port without software configuration. So there is no difficulty in installation and incompatibility.

KVM switch provides two methods to control the computers connected to it:

1. By keyboard combine key.
2. By OSD operation.

In addition, it provides powerful automatic scanning function to scan and monitor all computers connected to it.

Using LCD Console is a best choice to save time and money. By using one LCD Console to manage all the computers connected to it, user can save money for keyboard, mouse and monitor for each computer and their space.

FEATURES

Control Platform

- ◆ Control platform with LCD, keyboard, mouse and multiple ports KVM switch.
- ◆ 1U height, suitable for 19" standard cabinet installation and metal structure.
- ◆ 15/17/19" LCD screen with high brightness, high clear and high resolution.
- ◆ Control platform can be totally pulled out from the cabinet and the LCD screen can be turned on to 120 degrees.
- ◆ Ultra thin keyboard with keypad.
- ◆ Mouse touch board with two function button.
- ◆ Front panel with lock to prevent damage by accident.
- ◆ Built-in power.
- ◆ Automatic power on/off. When pulling control platform out from cabinet, the power turns off automatically. When pushing it into the cabinet, the power turns on automatically.
- ◆ An easy to use OSD menu.

Switch

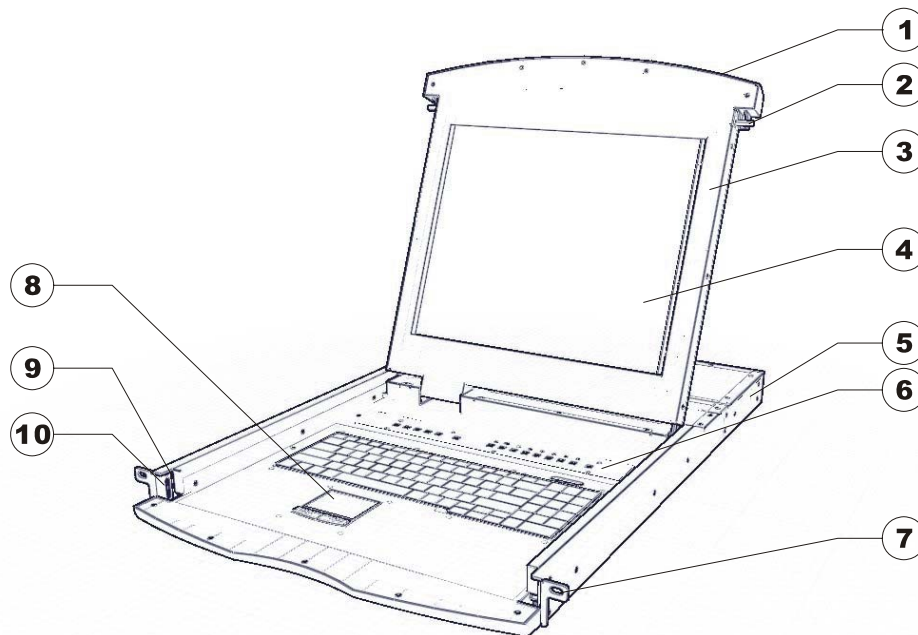
- ◆ One control platform can control 4/ 8/16 computers by direct connection.
- ◆ One control platform can control 512 computers by 3 level cascade connection.
- ◆ Be compatible with PS/2, USB standard interface.
- ◆ Support VGA, SVGA, XGA video input.
- ◆ Accord with DDC, DDC2, DDC2B standard and VESA standard.
- ◆ Support maximum resolution of 1920 * 1440
- ◆ Support multiple operating systems: WIN95/98/98SE/ME/200/XP、WIN NT、UNIX、LINUX.

PRODUCT TYPE

Type	OSD Function	Note
AS-3100ULG	No	15 inches LCD screen, keyboard and mouse. And Body parts can be easily demolished
AS-3104/08/16ULG	Yes	15 inches LCD screen, keyboard, mouse and 4\8\16 ports PS/2 KVM. And Body parts can be easily demolished
AS-7100ULG	No	17 inches LCD screen, keyboard and mouse. And Body parts can be easily demolished
AS-7104/ 08/16ULG	Yes	17 inches LCD screen, keyboard, mouse and 4\8\16 ports PS/2 KVM. And Body parts can be easily demolished
AS-9100ULG	No	19 inches LCD screen, keyboard and mouse. And Body parts can be easily demolished
AS-9104/ 08/16ULG	Yes	19 inches LCD screen, keyboard, mouse and 4\8\16 ports PS/2 KVM .And Body parts can be easily demolished

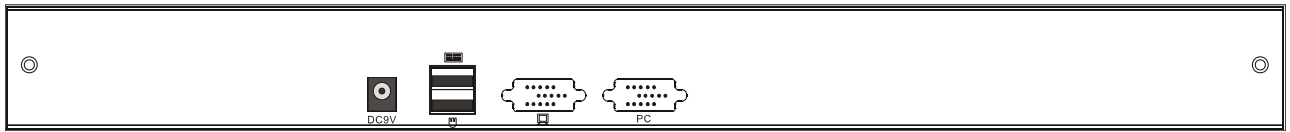
VIEW OF PRODUCT

FRONT VIEW

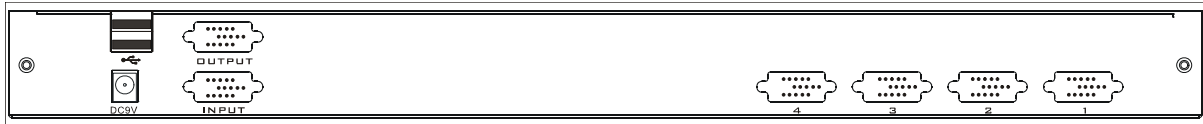


1. Handle
2. Lock
3. Front panel
4. LCD screen
5. Rear hang ear channel
6. OSD control key
7. Front hang ear
8. Mouse touch board
9. Guide
10. Lock ho

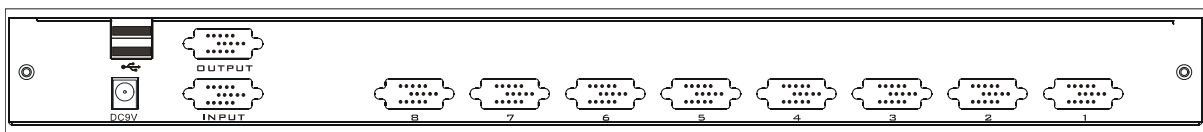
REAR VIEW



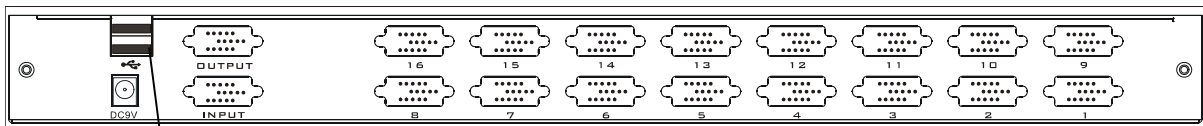
AS-3100L/AS-7100L/AS-9100L



AS-3104ULG/AS-7104ULG/AS-9104ULG



AS-3108ULG/AS-7108ULG/AS-9108ULG



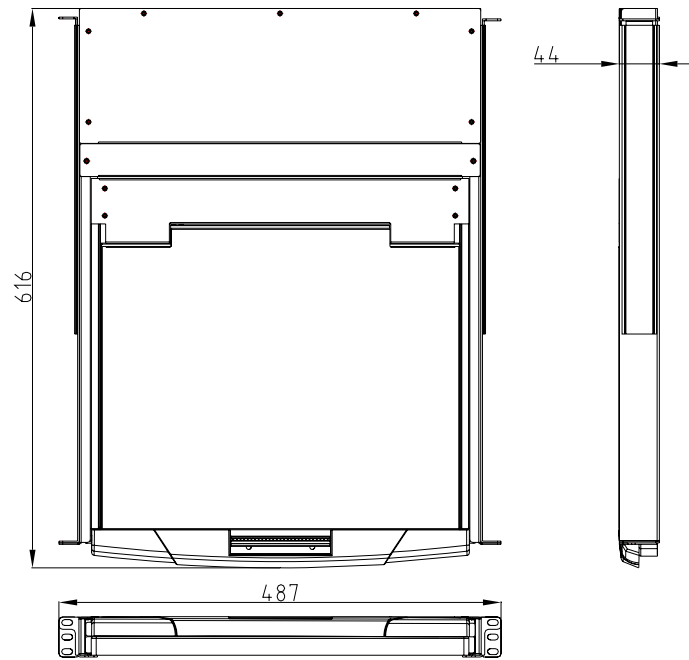
AS-3116ULG/AS-7116ULG/AS-9116ULG

1 2 3

4

- ① DC 12V 4000Ma power socket
- ② USB keyboard & mouse port
- ③ Cascade port (**Optional**)
- ④ PC connecting port

DIMENSION



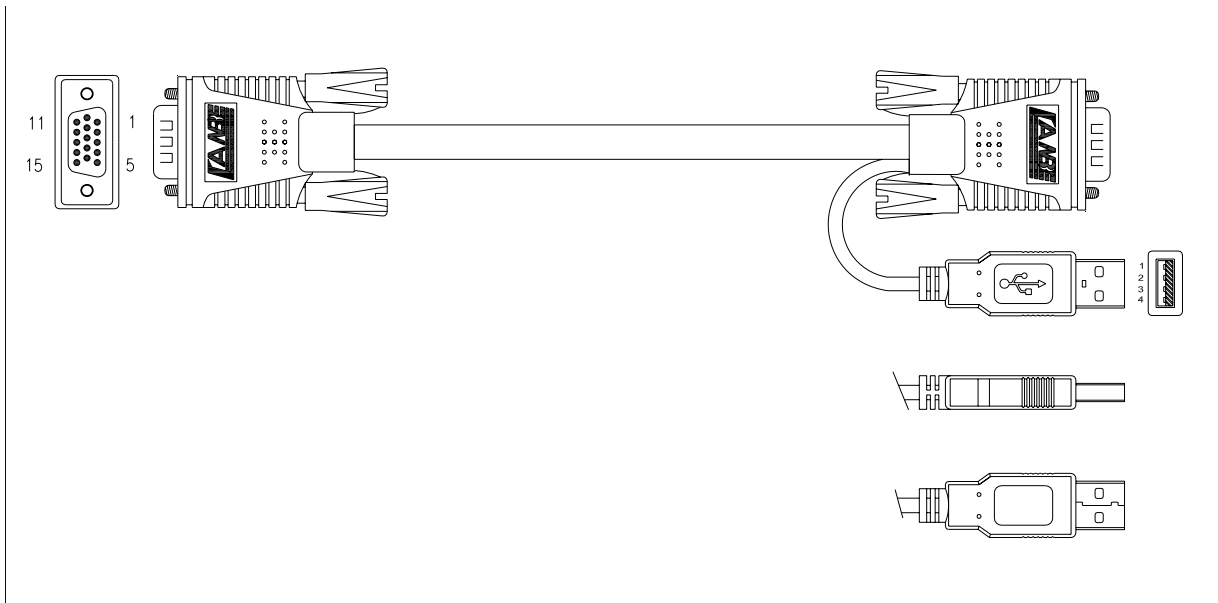
KVM SWITCHES PACKING LIST

Type	Name	Num/Unit	Note
AS-31ULG Series Products	LCD Console	1	15 inches LCD screen, keyboard and mouse control platform integrated KVM switch with multiple ports (4/8/16ports).
AS-71ULG Series Products	LCD Console	1	17 inches LCD screen, keyboard and mouse control platform integrated KVM switch with multiple ports (4/8/16ports).
AS-91ULG Series Products	LCD Console	1	19 inches LCD screen, keyboard and mouse control platform integrated KVM switch with multiple ports (4/8/16ports).
Cable	KVM Connecting Cable	1/4/8/16	PS/2 Connecting / USB Connecting
AC Power	AC Power Adapter	1	AC Power Adapter
LCD Console User Manual	User Manual	1/2	LCD Console Manual

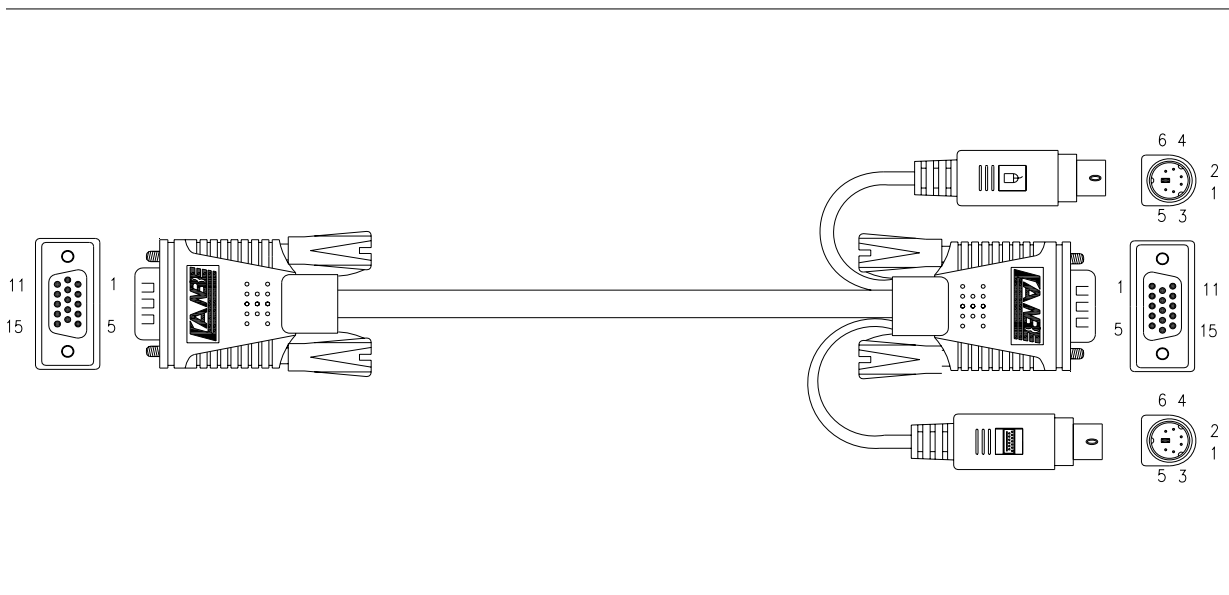
Please check the lists carefully and contact with your dealer if you have some problems.
Please read the manual carefully before installation

LCD CONSOLE CONNECTING WIRE

Cable Type	Applicable Type	KVM Port	PC or Server Port
USB Connecting Cable	AS-31/71/91ULG Series Products	VGA port (Keyboard, mouse and monitor)	VGA、Keyboard、Mouse (Standard USB Interface)
PS/2 Connecting Cable		VGA Port (Keyboard mouse And monitor)	VGA、Keyboard、Mouse (Standard PS/2 Interface)



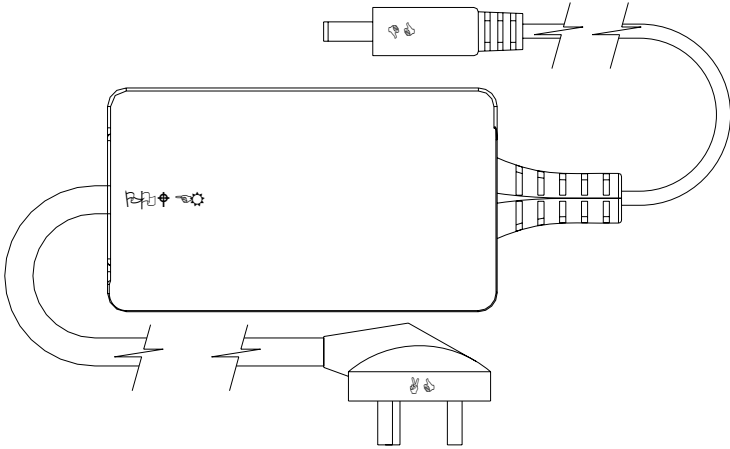
USB Connecting Cable



PS/2 Connecting Cable

LCD CONSOLE POWER WIRE

Wire Type	Note	Voltage Range	Machine Type
AC Power Wire	3 Plugs of National Standard	100~240V	All



Power adapter

OPERATION

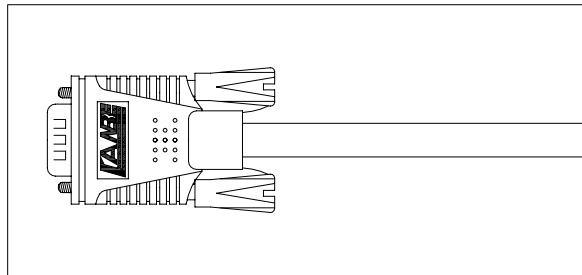
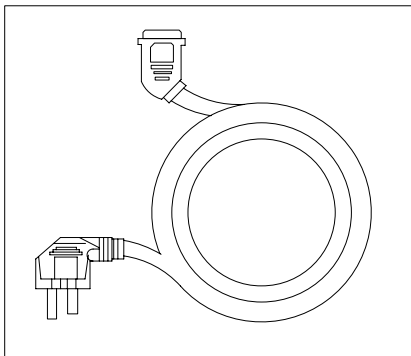
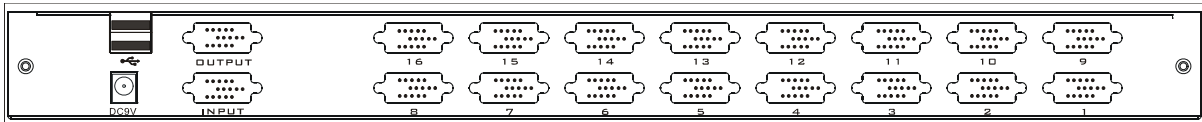
CONNECTION OF KVM SIGNAL WIRE

1. PS/2 connecting wire

Connect the end with 3 sockets to the LCD Console, and the other to the computer.

2. USB connecting wire

Connect the end with HD15 to the USB LCD Console, and the other to the computer.

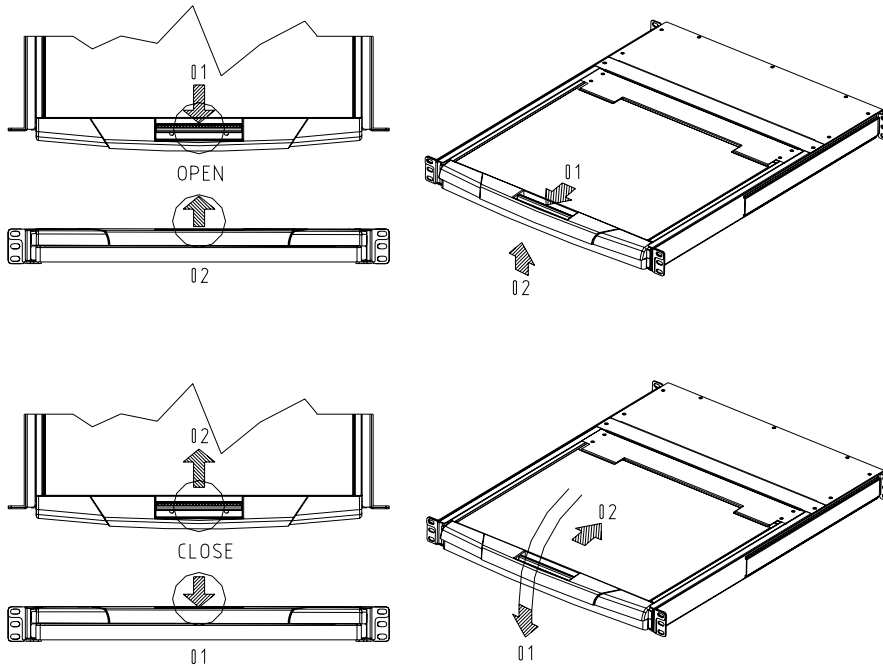


Before Use

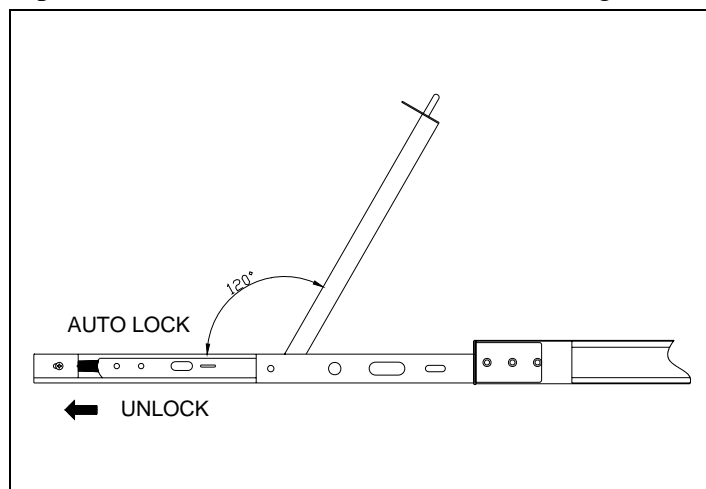
- Make sure all the devices are safely grounded.
- Make sure the KVM wire and power wire are connected correctly.

During Use

- Pull the LCD Console out from cabinet totally, the guide locks automatically and the power turns on.
- Release front lock. As shown below:



- Then open the front panel and the LCD can be turn on to 120 degrees. As shown below:



- Press LCD power key (red), the LCD is on.

After Use

- Press LCD power key, the LCD is power off.
- Close LCD panel and lock the front panel.
- Release guide lock.
- Push the control panel into the cabinet totally, and then it is power off.

Hot Plug

The LCD Console supports hot plug. It can be connected and disconnected without power off. Please follow the steps:

◆ Hot plug PC connecting port:

When hot plugging PC port:

1. The connecting wire must be plugged into the port from which it is pulled out.
2. Plug the mouse before the keyboard.

Power On/Off and Reboot

If user needs to cut off the power of LCD Console, please follow the steps before power on again.

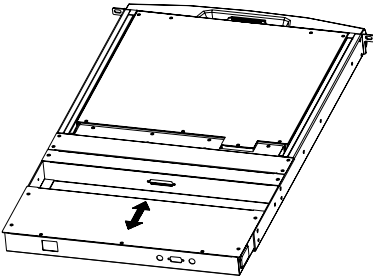
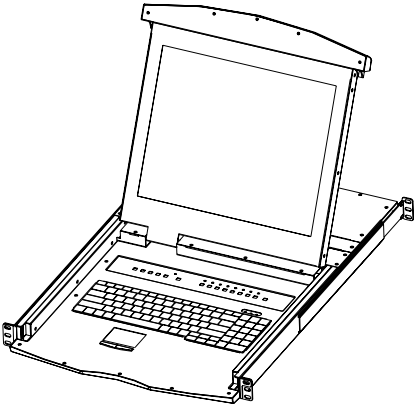
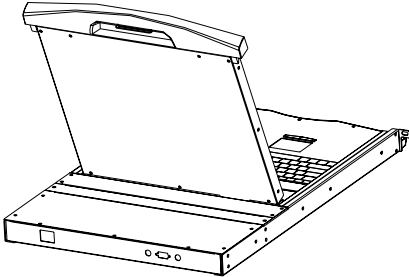
1. Cut off the power supply of all computers.

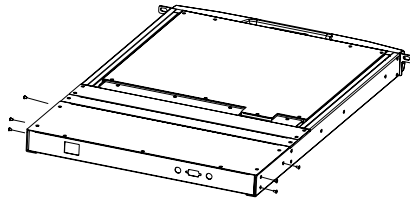
Note:

- 1) The power wire of computer with keyboard power on function must be pulled out. Otherwise, the KVM still receives the power signal from computer.
- 2) If the control unit uses the external power, please pull out external power.
2. After about 10 seconds, power on the LCD Console.
3. After the KVM switch starts, power on the computers.

Assembling & Disassembling

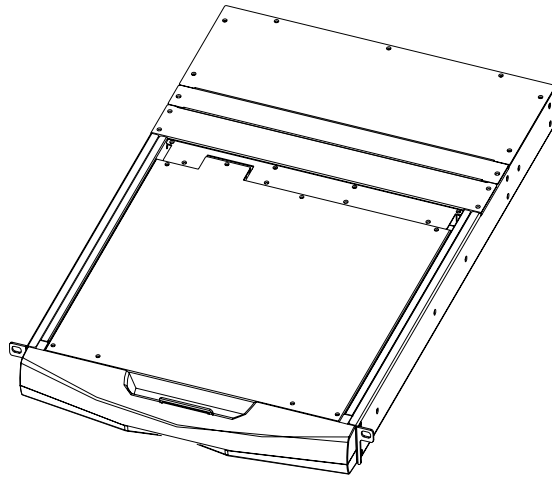
The device can be assembled and disassembled as following.



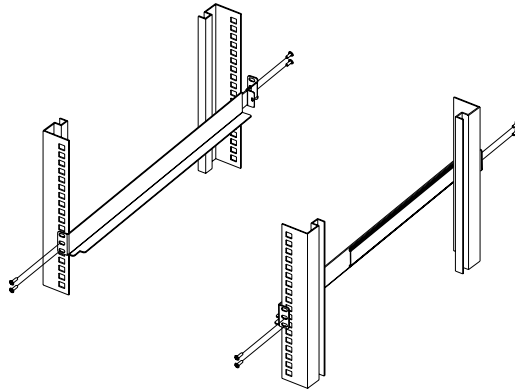


STANDARD RACK INSTALLATION

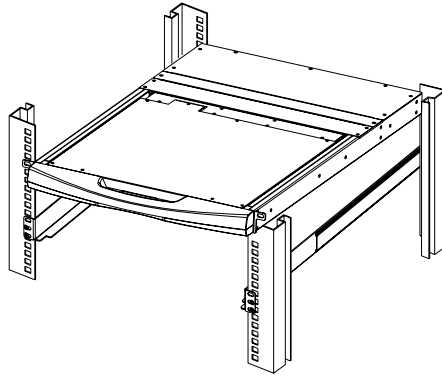
1. Screw the front flange to the rack first. Slide the bars with the rear flange towards the rack until the flanges make contact with the rack, then screw the rear flanges to the rack.



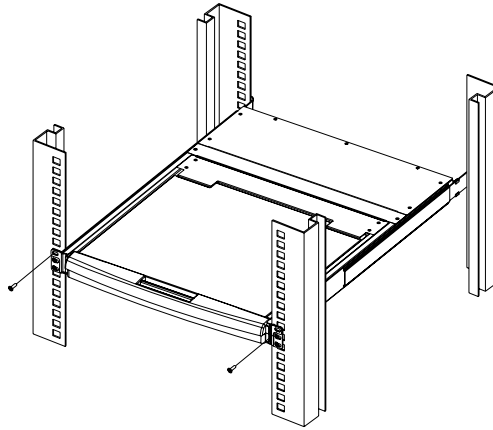
2. Slide the switch onto the support flanges. Use the screws supplied with this package to loosely attach the front of the switch to the front of the rack.



3. Slide the rear attachment sliding brackets along the slide bars until they contact the rear of the switch.



4. Use the screws supplied with this package to attach the bars to the rear of the switch.



OSD OPERATION

OSD OVERVIEW

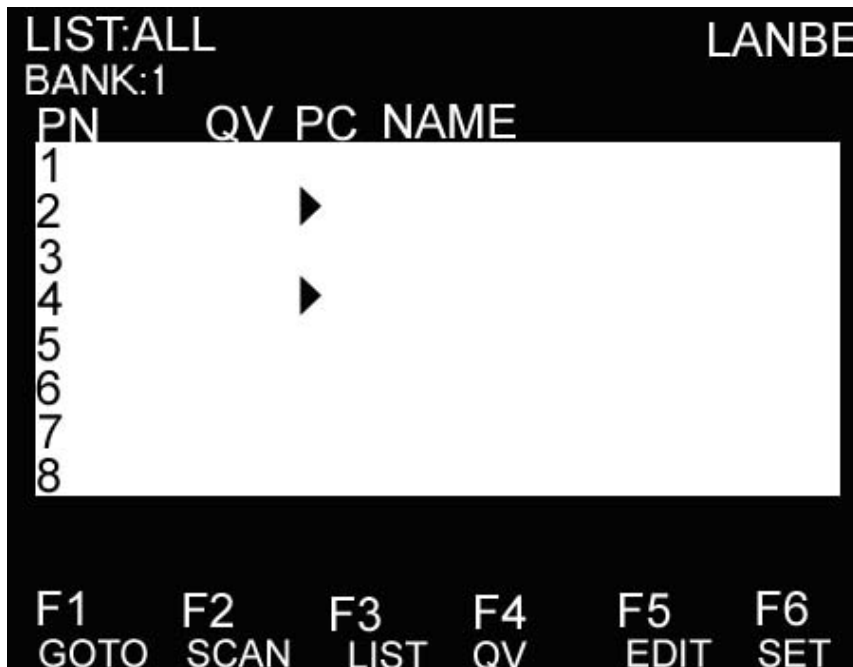
The On Screen Display (OSD) is used to handle all computer control and switching procedures. All procedures start from the OSD main menu. To pop up the main menu, tap the [Scroll Lock] twice.

Note: You can optionally change the hotkey to the Ctrl key, in which case you would tap [ctrl] twice.

If OSD menu is set as “console locked”, you must input password each time the main menu appears. If no password has been set, just press [Enter] to show main menu.

Note: There are two passwords in OSD. One is user password which is initially empty. And the other is factory password which is “LANBE”.

OSD menu interface is shown as below:



Note: OSD always starts in List View, with the highlight bar at the same position it was in the last time it was closed.

OSD NAVIGATION

To dismiss OSD, press [Esc].

To move up and down through the list one line at a time, use the Up and Down Arrow Keys. If there are more list entries than what can appear on the main screen, the screen will scroll.

To activate a port, move the highlight bar to it then press [Enter].

After selecting a port, the OSD menu automatically disappears and a blue tip window appears to indicate the port currently selected.

OSD MAIN SCREEN HEADINGS

Heading	Explanation
PN	This column lists the port numbers for all the CPU ports on the installation. The simplest method to access a particular computer is to move the highlight bar to it, then press [Enter].
QV	If a port has been selected for Quick View scanning, an arrowhead symbol displays in this column to indicate so.
PC	The computers that are powered on and are on line have an arrowhead symbol in this column to indicate so.
NAME	If a port has been given a name, its name appears in this column.

OSD FUNCTIONS

OSD functions are used to configure and control the OSD. For example, you can: rapidly switch to any port; scan selected ports only; limit the list you wish to view; designate a port as a Quick View Port; create or edit a port name; or make OSD setting adjustments.

F1 GOTO:

GOTO allows you to switch directly to a port either by keying in the port's name or its port number. To use NAME method, move highlight bar to "NAME", press [Enter], input name of a port, then press [Enter] to confirm.

To use PN method, move highlight bar to "PN", press [Enter], input port number, then press [Enter] to switch. If the port number is invalid, it will remind the user to input again.

To switch to other BANK, move highlight bar to "BANK", press [Enter], input bank number, then press [Enter] to switch to the specified bank. If the bank is invalid, it will remind the user to input again.

Note: When keying name, if there is a matching name, the matched name will appear on the screen, just press [Enter] to switch to that port.

To return to main menu, press [Esc].

F2 SCAN

The SCAN function can automatically scan from current selected port, the scan interval can be set by users. When scanning, a small window on the screen indicates the current port number. Press [Space] to stop scanning, and the KVM switches to the port last scanned.

F3 LIST

The LIST function lets you broaden or narrow the scope of which ports the OSD displays on the main screen.

Many of the OSD functions only operate on the computers that have been selected for listing on the

main screen with this function. The choices and their meanings are given in the table below:

Choice	Meaning
ALL	Lists all of the ports on the installation.
QVIEW	Lists only the ports that have been selected as Quick View Ports.
POWERED ON	Lists only the ports that have their attached computers powered on.
POWERED ON + QVIEW	Lists only the ports that have their attached computers powered on and have been selected as Quick View Ports.
QVIEW + NAME	Lists only the ports that have been selected as Quick View Ports and have name.
NAME	Lists only the ports that have names.

Move the highlight bar to the choice you want, then press [enter]. An icon appears before the choice to indicate that it is the currently selected one.

After you make your choice and press [Enter], you return to the OSD main screen with the newly formulated list displayed.

F4 QV

QV function can select port as Quick View. Move the highlight bar to a port, press [F4], an icon of up triangle appears. Press [F4] again, the icon disappears.

F5 EDIT

EDIT function creates or edits the name of a port. Press [F5], a pink edit box will appear on the screen. Input name, and then press [Enter], the port is set a name and it will also appear on the screen.

F6 SET

SET function configures the OSD menu. Move the highlight bar to an option, press [Enter] to enter a setting option.

CHANNEL DISPLAY MODE: Mode of small tip window.

Choices and meanings are below:

Choice	Meaning
PN + NAME	Tip window displays port number and port name.
PN	Tip window displays port number.
NAME	Tip window displays port name.

Move the highlight bar to an option and press [Enter] to select it.

CHANNEL DISPLAY DURATION: Time the tip window last.

Options are following:

- ◆ 3 SECOND The tip window lasts for 3seconds.
- ◆ ALWAYS ON The tip window always on the screen.

Move the highlight bar to an option and press [Enter] to select it.

CHANNEL DISPLAY POSITION: Position of the tip window.

A small blue window appears on the screen. Use arrow key to move it, then press [Enter] to specify the position.

SCAN DURATION: Duration for scanning one port.

Options are 3 seconds, 5 seconds, 10 seconds, 15 seconds, 20 seconds, 30 seconds, 40 seconds, 60 seconds. Move the highlight bar to an option and press [Enter] to select it.

OSD ACTIVATING HOTKEY: Select OSD activating hotkey.

- ◆ [Ctrl] [Ctrl] Set hotkey as [Ctrl] [Ctrl].
- ◆ [Scroll] [Scroll] Set hotkey as [Scroll] [Scroll].
- ◆ [Shift] [Shift] Set hotkey as [Shift] [Shift].
- ◆ [Alt] [Alt] Set hotkey as [Alt] [Alt].

Move the highlight bar to an option and press [Enter] to select it.

SET PASSWORD: Set new password.

First enter old password, then enter new password and confirm it. The new password is set. If error occurs, the screen will remind users.

CLEAR THE NAME LIST: Clear the names of port list.

You need to enter password to clear the names of port list.

RESTORE DEFAULT VALUE: Restore settings to default value.

You need to enter password to Restore settings to default value.

Note: The user password will also be cleared, and the factory password will not.

LOCK CONSOLE: Lock the console.

You cannot switch or scan after you lock the console (including switch by push button on the panel or OSD). You need to enter password to set.

Note: After Locking the console, you can also unlock the console by this option. It also needs password verification.

SAFE GUIDE

- ◆ Please follow the directions below when installing, using and maintaining it in order to guarantee the device to work well.
- ◆ When installing and operating the device, please make sure proper power supply first, and then do other operations after it is initialized.
- ◆ As signal and power transfer need custom cable, please use matched cable, unmatched cable may cause system work improperly or even damage the device.
- ◆ Keep airy during operating to prevent high temperature.
- ◆ Keep the device away from working long in wet environment to prevent short circuit.
- ◆ Please do not open the device without permission of professionals.

NOTE

This equipment has been tested and found to comply with the limits for a Class B digital device, pursuant to Part 15 of the FCC Rules. These limits are designed to provide reasonable protection against harmful interference in a residential installation. This equipment generates, uses and can radiate radio frequency energy and, if not installed and used in accordance with the instructions, may cause harmful interference to radio communications. However, there is no guarantee that interference will not occur in a particular installation. If this equipment does cause harmful interference to radio or television reception, which can be determined by turning the equipment off and on, the user is encouraged to try to correct the interference by one or more of the following measures:

- Reorient or relocate the receiving antenna
- Increase the separation between the equipment and receiver.
- Connect the equipment into an outlet on a circuit different from that to which the receiver is connected.
- Consult the dealer or an experienced radio/TV technician for help.

This device complies with Part 15 of the FCC Rules. Operation is subject to the following two conditions: (1) this device may not cause harmful interference, and (2) this device must accept any interference received, including interference that may cause undesired operation.

The manufacturer is not responsible for any radio or TV interference caused by unauthorized modifications to this equipment. Such modifications could void the user's authority to operate the equipment.