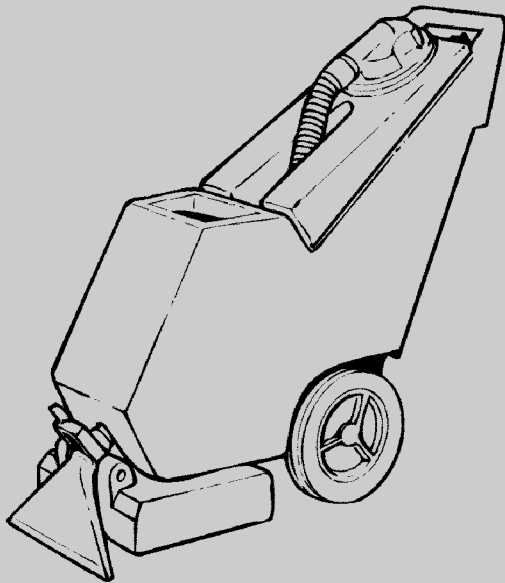




1220

Self-Contained Carpet Extractor
Aspirador para moquetas con depósito incorporado
Nettoyeur de moquettes autonome

Operator and Parts Manual
Manual De Operador
Y Lista De Repuestos
Opérateur Manuel et
Liste Des Pièces



Model Part No.:
607853



OPERATION

This manual is furnished with each new model. It provides necessary operation and maintenance instructions and an illustrated parts list.

Read this manual completely and understand the machine before operating or servicing it.

Use the illustrated Parts Lists to order parts. Before ordering parts or supplies, be sure to have your machine model number and serial number handy. Parts and supplies may be ordered by phone or mail from any authorized parts and service center, distributor or from any of the manufacturer's subsidiaries.

This machine will provide excellent service. However, the best results will be obtained at minimum costs if:

- The machine is operated with reasonable care.
- The machine is maintained regularly - per the machine care instructions provided.
- The machine is maintained with manufacturer supplied or equivalent parts.

MACHINE DATA

Please fill out at time of installation for future reference.

Model No. - _____

Serial No. - _____

Machine Options - _____

Sales Rep. - _____

Sales Rep. phone no. - _____

Customer Number - _____

Installation Date - _____



PROTECT THE ENVIRONMENT

Please dispose of packaging materials, old machine components such as batteries, hazardous fluids, including antifreeze and oil, in an environmentally safe way according to local waste disposal regulations.



Always remember to recycle.

TENNANT Company
PO Box 1452
Minneapolis, MN 55440
Phone: (800) 553-8033 or (763) 513-2850

www.tennantco.com

Specifications and parts are subject to change without notice.

Copyright © 1999-2009 Tennant Company. All rights reserved.

TABLE OF CONTENTS	(ESPAÑOL.....15)	(FRANÇAIS.....29)	
SAFETY PRECAUTIONS	4	TROUBLE SHOOTING	13
GROUNDING INSTRUCTIONS	5	SPECIFICATIONS	14
SAFETY LABEL	6	MACHINE DIMENSIONS	14
MACHINE COMPONENTS	7	ELECTRICAL DIAGRAMS	43
MACHINE SETUP	8	PARTS LIST	44
MACHINE OPERATION	8	UPPER HOUSING GROUP	44
PRE-OPERATION	8	CONTROL CONSOLE GROUP	46
CLEANING CARPETS	9	CHASSIS GROUP	48
WHILE OPERATING	9	BASE GROUP	50
OPERATING ACCESSORY TOOLS		PUMP BREAKDOWN	52
(OPTIONAL)	10	OPTIONS	53
ADJUSTING BRUSH HEIGHT	10	HAND TOOL, 5 in / 127 mm	53
DRAINING TANKS	10	CREVICE TOOL, 3 in / 76 mm	53
DRAINING RECOVERY TANK	10	HAND TOOL, UPHOLSTERY LOW	
DRAINING LEFTOVER CLEANING		PRESSURE	54
SOLUTION	11	SOLUTION AND VACUUM HOSES GROUP	55
MACHINE MAINTENANCE	11	PUMP-UP CARPET SPRAYER	55
DAILY MAINTENANCE	11	HARD FLOOR SQUEEGEE ASSEMBLY ...	55
MONTHLY MAINTENANCE	12	FLOOR TOOL, LOW PRESSURE	
SERVICING MACHINE:	12	13 in / 330 mm	56
STORING MACHINE	12	FLOOR TOOL, LOW PRESSURE	
RECOMMENDED STOCK ITEMS	12	16 in / 406 mm	58


OPERATION

SAFETY PRECAUTIONS

This machine is intended for commercial use. It is designed exclusively to clean carpet and upholstery in an indoor environment and is not constructed for any other use. Use only recommended accessory tools and commercially available carpet cleaners intended for machine application.

All operators must read, understand and practice the following safety precautions.

The following warning alert symbol and the "FOR SAFETY" heading are used throughout this manual as indicated in their description:

 **WARNING:** To warn of hazards or unsafe practices which could result in severe personal injury or death.

FOR SAFETY: To identify actions which must be followed for safe operation of equipment.

Failure to follow these warnings may result in personal injury, electrical shock, fire or explosion.

 **WARNING:** Fire Or Explosion Hazard:

- **Never Use Flammable Liquids Or Operate Machine in Or Near Flammable Liquids, Vapors Or Combustible Dusts.**

This machine is not equipped with explosion proof motors. The electric motors will spark upon start up and during operation which could cause a flash fire or explosion if machine is used in an area where flammable vapors/liquids or combustible dusts are present.

- **Do Not Pick Up Flammable Materials Or Reactive Metals.**

 **WARNING:** Electrical Hazard. Do Not Operate With Damaged Power Cord. Do Not Modify Plug. Unplug power Cord Before Servicing Machine.

If the supply cord is damaged or broken, it must be replaced by the manufacturer or it's service agent or a similarly qualified person in order to avoid a hazard.

 **WARNING:** Spinning Brush. Keep Hands Away. Turn Off Power Before Working On Machine.

 **WARNING:** Electrical Shock Hazard. Do Not Use Outdoors. Do Not Expose To Rain. Store Indoors.

The following information signals potentially dangerous conditions to the operator or equipment:

FOR SAFETY:

1. **Do not operate machine:**
 - With flammable liquids or near flammable vapors as an explosion or flash fire may occur.
 - Unless trained and authorized.
 - Unless operator manual is read and understood.
 - Unless cord is properly grounded.
 - With damaged cord or plug.
 - If not in proper operating condition.
 - In outdoor areas.
 - In standing water.
 - With the use of additional extension cords. Only use manufacturer's extension cord equipped with machine which has proper capacity and is grounded.
2. **Before operating machine:**
 - Make sure all safety devices are in place and operate properly.
 - Place wet floor signs as needed.
3. **When using machine:**
 - Do not run machine over cord.
 - Do not pull machine by plug or cord.
 - Do not pull cord around sharp edges or corners.
 - Do not unplug by pulling on cord.
 - Do not stretch cord.
 - Do not handle plug with wet hands.
 - Keep cord away from heated surfaces.
 - Report machine damage or faulty operation immediately.
 - Follow mixing and handling instructions on chemical containers
 - Never allow children to play on or around.
4. **Before leaving or servicing machine:**
 - Turn off machine.
 - Unplug cord from wall outlet.

5. When servicing machine:

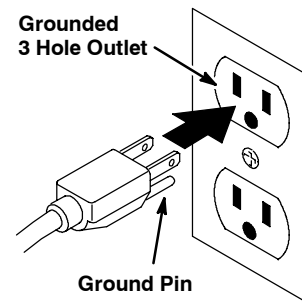
- Unplug cord from wall outlet.
- Avoid moving parts. Do not wear loose jackets, shirts, or sleeves.
- Use manufacturer supplied or approved replacement parts.
- All repairs must be performed by a qualified service person.
- Do not modify the machine from its original design.

6. When transporting machine:

- Get assistance when lifting machine.
- Unplug cord from wall outlet.
- Use tie-down straps to secure machine to truck or trailer.

GROUNDING INSTRUCTIONS

Machine must be grounded. If it should malfunction or breakdown, grounding provides a path of least resistance for electrical current to reduce the risk of electrical shock. This machine is equipped with a cord having an equipment-grounding conductor and grounding plug. The plug must be plugged into an appropriate outlet that is properly installed in accordance with all local codes and ordinances. Do not remove ground pin; if missing, replace plug before use.



OPERATION

SAFETY LABEL

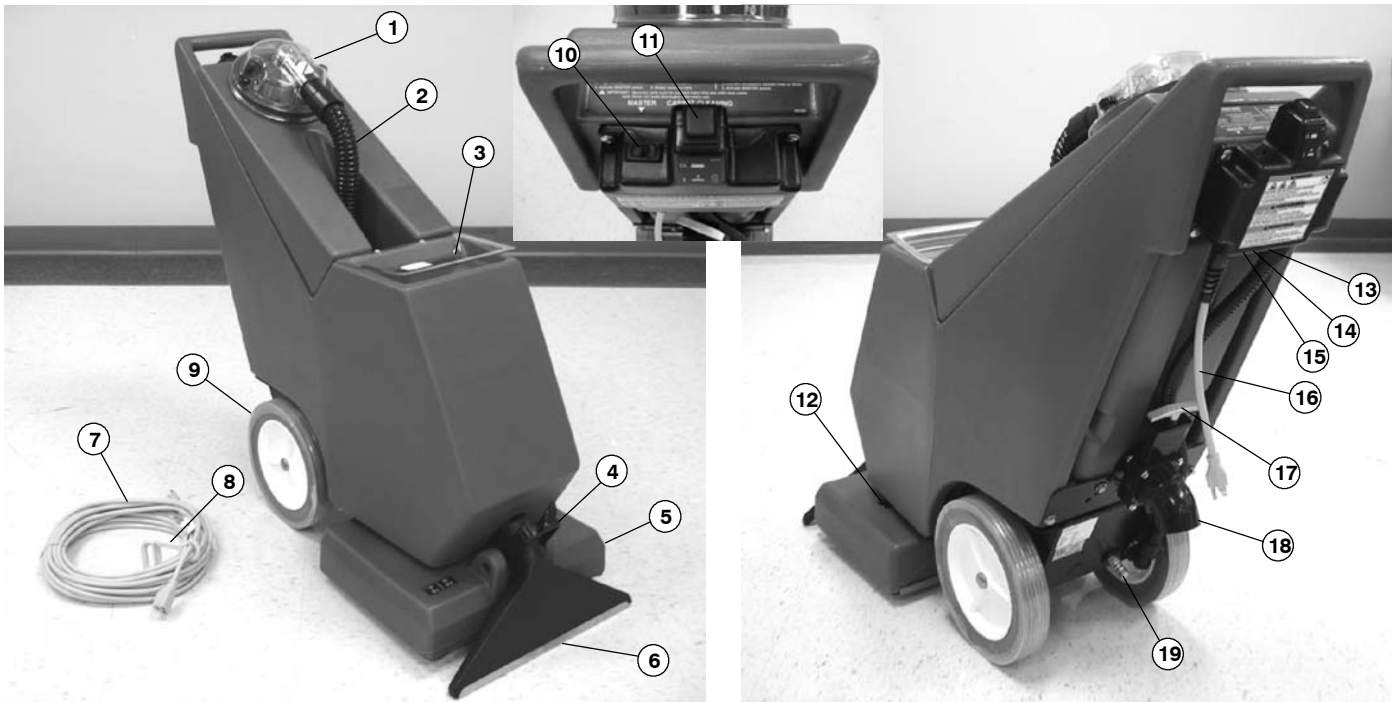
The safety label appears on the machine in the location indicated. Replace label if it is missing or becomes damaged or illegible.



WARNING LABEL - Located on back of control console.

⚠ WARNING	
  	
EXPLOSION, FIRE AND SHOCK HAZARD. AVOID INJURY. <ul style="list-style-type: none">• Do Not Use or Pick Up Flammable Materials.• Do Not Use Near Flammable Liquids, Vapors or Combustible Dusts.• Do Not Operate With Damaged Power Cord. Do Not Modify Plug. Unplug Power Cord Before Servicing Machine.• Do Not Use Outdoors. Do Not Expose to Rain. Store Indoors.	
⚠ AVERTISSEMENT	
RISQUE D'EXPLOSION, D'INCENDIE ET DE DÉCHARGE. ÉVITEZ LES BLESSURES. <ul style="list-style-type: none">• N'utilisez Pas ou Ne Ramassez Pas de Matériaux Inflammables.• N'utilisez Pas Près de Liquides, Vapeurs ou Poussières Inflammables.• N'utilisez Pas la Machine Avec un Cordon d'Alimentation Endommagé. Ne Modifiez Pas la Prise. Débranchez le Cordon d'Alimentation Avant d'Entretenir la Machine.• N'utilisez Pas en Extérieur. N'Exposez Pas à la Pluie. Entrez à l'Intérieur.	
⚠ ADVERTENCIA	
PELIGRO DE EXPLOSIÓN, FUEGO, DESCARGA EVITE LESIONES. <ul style="list-style-type: none">• No Use Ó Recoja Materiales Flamables.• No Use Cerca De Líquidos Flamables, Vapores Ó Materiales Combustibles.• No Use Con Cable De Corriente Dañado. No Altere El Enchufe. Desconecte Cable De Corriente Antes Del Mantenimiento.• No Use Al Aire Libre. No Exponga A La Lluvia. Guarde Bajo Techo.	
<small>1026384</small>	

MACHINE COMPONENTS



- | | |
|---|---|
| <ul style="list-style-type: none"> 1. Recovery Tank Dome 2. Pick-up Vacuum Hose 3. Solution Tank Dust Cover 4. Brush Height Adjustment Knob 5. Brush Housing 6. Vacuum Head 7. Extension Power Cord 8. Cord Strain-Relief Clip (Belt) 9. 254 mm (10 in) Stair Climbing Wheels 10. Master Switch (Vacuum and Pump) | <ul style="list-style-type: none"> 11. Carpet Cleaning Button (Brush) 12. Spray Bar 13. Pump Circuit breaker 14. Brush Circuit breaker 15. Vacuum Circuit breaker 16. Power Cord Pigtail 17. Drain Valve T-Handle 18. Recovery Tank Drain Spout 19. Accessory Tool Solution Hose Quick Coupler |
|---|---|

OPERATION

MACHINE SETUP

1. Carefully check carton for signs of damage. Report damages at once to carrier. The machine is shipped fully assembled and is ready for operation.
2. Fill solution tank with 30.8L (7 gal) of hot water, 60°C (140°F) maximum (Figure 1).

NOTE: The water must **not** be hotter than 60°C (140°F) or tank damage may occur.

NOTE: Use different buckets to fill and drain machine to prevent solution system clogs.



FIG. 1

⚠ WARNING: Fire or Explosion Hazard. Never Use Flammable Liquids.

3. Add a recommended cleaning solution. Follow bottle's mixing instructions.

FOR SAFETY: When using machine, follow mixing and handling instructions on chemical containers.

ATTENTION: If using powdered cleaning chemicals, mix prior to adding.

NOTE: If desired, hot water alone achieves excellent cleaning results.

4. Close lid after filling.

MACHINE OPERATION

FOR SAFETY: Do not operate machine unless operator manual is read and understood.

⚠ WARNING: Fire Or Explosion Hazard. Never Use Flammable Liquids Or Operate Machine in Or Near Flammable Liquids, Vapors Or Combustible Dusts.

PRE-OPERATION

1. Vacuum carpet to remove particles and other debris.
2. Inspect power cord for damage.

⚠ WARNING: Electrical Hazard. Do Not Operate With Damaged Power Cord. Do Not Modify Plug. Unplug power Cord Before Servicing Machine.

If the supply cord is damaged or broken, it must be replaced by the manufacturer or it's service agent or a similarly qualified person in order to avoid a hazard.

3. Plug power cord into a grounded wall outlet (Figure 2).

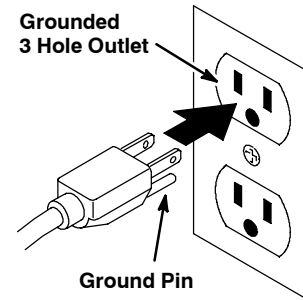


FIG. 2

FOR SAFETY: Do not operate machine with the use of additional extension cords. Only use manufacturer's extension cord equipped with machine which has proper capacity and is grounded.

CLEANING CARPETS

1. Turn on Master switch (Figure 3).



FIG. 3

2. Press and hold in Carpet Cleaning button. Pull machine towards you, 1.5m (4 ft) at a time. For best cleaning results, lift machine handle slightly while pulling backward. This transfers weight of machine to the vacuum head for best water recovery (Figure 4).



FIG. 4

3. At end of path, release the Carpet Cleaning button and continue to pull machine towards you another 30 cm (1 ft) to pick up un-recovered spray. Push down on handle and move machine to next area to be cleaned. Overlap each path by 50 mm (2 in).

⚠ WARNING: Fire Or Explosion Hazard. Do Not Pick Up Flammable Materials Or Reactive Metals.

WHILE OPERATING

1. If necessary, adjust brush height to accommodate type of carpet (See ADJUSTING BRUSH HEIGHT).
2. Work away from wall outlet and power cord to prevent cord damage.
3. Check for excessive foam buildup in recovery tank. Use a recommended foam control solution to prevent motor damage (Figure 5).



FIG. 5

ATTENTION: Do not allow foam to enter vacuum screen. Damage to vacuum motor will result. This damage is not covered by warranty.

4. If the brush or vacuum motor should stop, circuit breaker may have tripped. Turn off machine, unplug power cord and check for any obstructions. Let motor cool and manually reset circuit breaker button, located on bottom of switch box (Figure).



FIG. 6

⚠ WARNING: Electrical Hazard. Unplug power Cord Before Servicing Machine.

⚠ WARNING: Spinning Brush. Keep Hands Away. Turn Off Power Before Working On Machine.

OPERATION

5. After cleaning, perform the daily maintenance procedures.

NOTE: Allow up to one hour for carpet to dry. Use air movers to reduce drying time.

OPERATING ACCESSORY TOOLS (OPTIONAL)

1. Disconnect vacuum hose from recovery tank dome and connect accessory vacuum hose (Figure 7).
2. Connect accessory solution hose to quick coupler, located at rear of machine (Figure 7).



FIG. 7

3. Attach desired accessory tool to hoses.
4. Turn on Master switch.
5. Begin operating accessory tool (Figure 8).



FIG. 8

⚠ WARNING: Fire Or Explosion Hazard. Do Not Pick Up Flammable Materials Or Reactive Metals.

NOTE: When cleaning upholstery, always check cleaning instructions sewn in furniture by manufacturer.

6. After operating accessory tool, relieve water pressure from tool before disconnecting hose. Squeeze trigger for five seconds after turning off switches.

ADJUSTING BRUSH HEIGHT

1. Turn off machine and unplug power cord from wall outlet.

⚠ WARNING: Electrical Hazard. Unplug power Cord Before Servicing Machine.

⚠ WARNING: Spinning Brush. Keep Hands Away. Turn Off Power Before Working On Machine.

2. Adjust brush to proper height. Turn height adjustment knob until bristles slightly touch carpet, then turn knob another half turn. Turn knob clockwise to raise and counterclockwise to lower (Figure 9).



FIG. 9

DRAINING TANKS

⚠ WARNING: Electrical Hazard. Unplug power Cord Before Servicing Machine.

NOTE: Use different buckets to fill and drain machine to prevent solution system clogs.

DRAINING RECOVERY TANK

1. When solution tank runs dry, recovery tank *must* be emptied. To empty recovery tank, turn off machine and position a discharge bucket under drain valve down spout.

NOTE: Use different buckets to fill and drain machine to prevent solution system clogs.

2. Pull the T-handle on drain valve to empty dirty water (Figure 10).

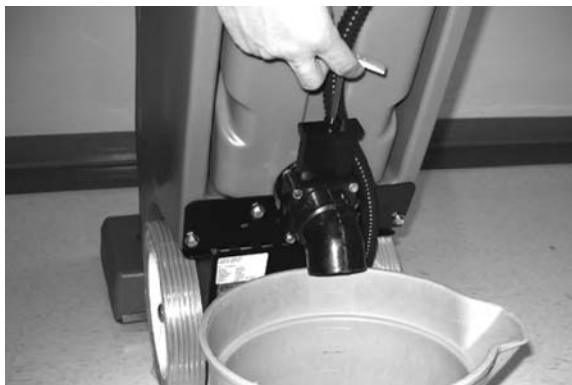


FIG. 10

3. Close drain valve before continuing operation.

DRAINING LEFTOVER CLEANING SOLUTION

When finished cleaning, use the 1 m (3 ft) clean-out hose to vacuum out the remaining water from solution tank.

1. Connect the clean-out hose to recovery tank dome (Figure 11).



FIG. 11

2. Turn the Master switch on and vacuum out the remaining solution from the tank.
3. Drain recovery tank.

MACHINE MAINTENANCE

To keep machine in good working condition, simply follow machine's daily and monthly maintenance procedures.

⚠ WARNING: Electrical Hazard. Unplug power Cord Before Servicing Machine.

Contact an Authorized Service Center for machine repairs.

FOR SAFETY: When servicing machine, all repairs must be performed by a qualified service person.

DAILY MAINTENANCE (After Every Use)

1. Drain and rinse out tanks thoroughly (See Draining Tanks).
2. Rinse out the recovery tank dome.
3. Remove recovery tank screen and clean (Figure 12).



FIG. 12

4. Remove and clean the two tank screens located in the bottom of the solution tank.
5. Remove any entangled carpet fibers and debris in brush.
6. Remove any clogged debris in vacuum head.
7. Check power cord for damage, replace if damaged. Coil cord neatly after each use.
8. Inspect spray pattern for plugging. If plugged, remove spray tips and soak in acetic acid solution for up to six hours. Do not use pointed objects to unplug tips, damage will occur.

If the supply cord is damaged or broken, it must be replaced by the manufacturer or it's service agent or a similarly qualified person in order to avoid a hazard.

FOR SAFETY: When using machine, follow mixing and handling instructions on chemical containers.

9. Clean machine with a nonabrasive, non-solvent cleaner.

ATTENTION: Do not power spray or hose off machine. Electrical component damage may result.

OPERATION

MONTHLY MAINTENANCE (Every 80 Hours of Use)

1. Flush the pump system with an acetic acid solution to dissolve normal alkaline chemical buildup. Follow instructions below:

FOR SAFETY: When using machine, follow mixing and handling instructions on chemical containers.

- a. Premix .5 L (16 oz) of an acetic acid solution with 7.5 L (2 gal) of hot water, 60° C (140°F) maximum, and pour into solution tank.

NOTE: The water must **not** be hotter than 60° C (140°F) or tank damage may occur.

NOTE: If filling with a bucket be certain that bucket is clean. This will prevent possible solution line clogs.

- b. Turn machine on.
 - c. Position brush housing over floor drain and operate machine for one minute.
 - d. Turn off machine and allow remaining solution to break down alkaline buildup overnight.
 - e. Next day, spray out remaining solution and flush system with 11 L (3 gal) of clean water.
2. Lubricate wheels with a water resistant oil.
 3. Inspect machine for water leaks.
 4. Inspect machine for loose screws.

SERVICING MACHINE:

For ease of servicing, the machine's tanks are hinged to pivot away from metal chassis to allow access to inner components.

ATTENTION: Make sure tanks are empty before opening.

1. Remove two rear hex-head screws, located under chassis rear wheels.
2. Remove two Allen head screws.
3. Remove two remaining hex-head screws located at front of chassis.
4. Lift tanks upward, away from chassis. The vacuum tool will pivot upward with tanks.

STORING MACHINE

1. Before storing machine, be certain to flush tanks and drain machine of all water.
2. Store machine in a dry area in the upright position with brush raised off floor.
3. Remove recovery dome to promote air circulation.

ATTENTION: If storing machine in freezing temperatures, be sure that machine, pump and spraying system are completely drained and dry. Damage due to freezing temperatures is not covered by warranty.

⚠ WARNING: Electrical Shock Hazard. Do Not Use Outdoors. Do Not Expose To Rain. Store Indoors.

RECOMMENDED STOCK ITEMS

Refer to the Parts List Manual for recommended stock items. Stock Items are clearly identified with a bullet preceding the parts description. See example below:

Ref.	Part No.	Description	Qty.
1	701103	ASM., STANDPIPE	1
2	190619	● FLOAT, SHUTOFF	1
3	230197	NIPPLE	1
4	101714	● GASKET	1
5	210240	NUT, FLANGED	1

TROUBLE SHOOTING

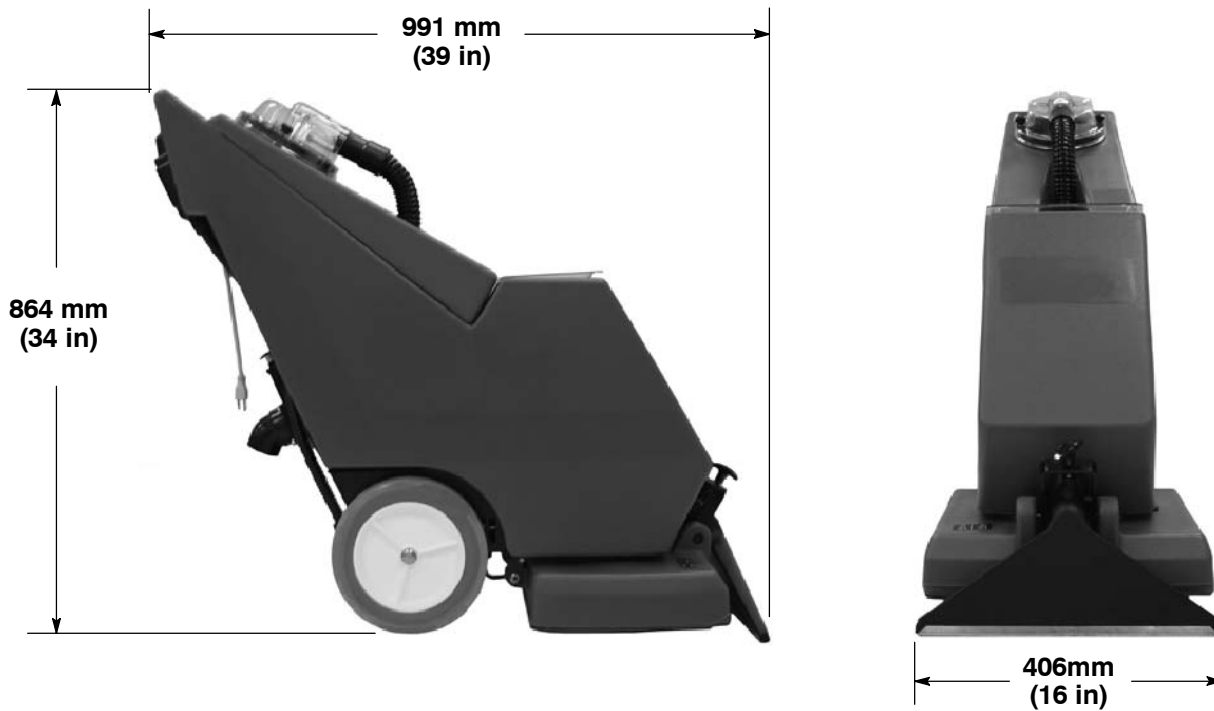
PROBLEM	CAUSE	SOLUTION
Machine does not operate.	Faulty switches or wiring.	Contact Service Center.
	Faulty power cord.	Contact Service Center.
	Building circuit breaker tripped.	Reset breaker.
Solution pump does not operate.	Overheated pump.	Determine cause and wait 20 minutes for pump to cool. Reset breaker.
	Faulty solution pump.	Contact Service Center.
	Faulty solenoid.	Contact Service Center.
	Faulty switch.	Contact Service Center.
	Loose or broken wiring.	Contact Service Center.
Vacuum motor does not operate.	Vacuum motor thermal overload tripped.	Check air flow for obstruction, wait 20 minutes for motor to cool.
	Vacuum motor circuit breaker tripped.	Reset breaker.
	Loose or broken wiring.	Contact Service Center.
	Faulty Master switch.	Contact Service Center.
	Defective vacuum motor.	Contact Service Center.
	Worn carbon brushes.	Replace brushes or call for service.
Brush motor does not operate.	Brush motor circuit breaker tripped.	Remove brush obstruction OR readjust brush height. Reset brush breaker button at bottom of switch box.
	Carpet Cleaning Switch not pushed.	Push Carpet Cleaning Switch.
	Faulty brush motor.	Contact Service Center.
	Loose or broken brush belt.	Contact Service Center.
	Faulty switch or wiring.	Contact Service Center.
Poor pick up.	Open drain valve.	Close valve.
	Clogged recovery tank screen.	Remove recovery tank dome and clean lint off screen.
	Air leakage around recovery tank dome.	Tighten recovery tank dome knobs or replace gasket.
	Loose vacuum hose connections.	Secure connections.
	Defective vacuum hose.	Replace hose.
	Loose vacuum hose cuffs.	Secure cuffs to hose.
	Pulling machine too fast.	Slow down cleaning process.
Uneven or no spray.	Dirty or plugged spray tips.	Clean or replace tips.
	Improper spray tip size or spray angle.	Replace with proper tips.
	Worn spray tips.	Replace spray tips.
	Solution tank low or empty.	Refill solution tank.
	Faulty solution pump.	Contact Service Center.
	Plugged solution tank filter.	Clean filter.
Drain valve leaks.	Drain valve gaskets worn.	Replace gaskets.
	Lint or dirt in drain valve.	Clean valve.

OPERATION

SPECIFICATIONS

Model	1220
LENGTH	991 mm (39 in)
WIDTH	406 mm (16 in)
HEIGHT	864 mm (34 in)
WEIGHT	39 Kg (86lb)
SOLUTION TANK CAPACITY	31L (7 gal)
RECOVERY TANK CAPACITY	31L (7 gal)
CLEANING PATH WIDTH	406 mm (16 in)
MAXIMUM CLEANING RATE	186 m ² (2,000 sq. ft) per hour
BRUSH MOTOR	120V, .1hp,1A, 120W, 1800 rpm
BRUSH SPEED	1200 rpm
SOLUTION PUMP	120V, 6.9bar (100psi), 1A
VACUUM MOTOR	120V, 1.66 hp, 10.3A, 1236W, 3 stage
SEALED WATER LIFT	2972 mm (117 in)
TOTAL POWER CONSUMPTION	120V, 12.7A, 1524W
DECIBEL RATING AT OPERATOR'S EAR, INDOORS ON CARPET	>70dB(A)

MACHINE DIMENSIONS




Este manual se provee con cada nuevo modelo. Proporciona las instrucciones necesarias de operación y mantenimiento y una lista ilustrada de piezas.

Leer este manual completamente y entender la máquina antes de operar o prestar servicio.

Al ordenar piezas de repuesto, usar la sección de lista de piezas en este manual. Antes de ordenar piezas o suministros, asegurarse de tener disponible el número de modelo y el número de serie disponible. Las piezas y suministros pueden ordenarse por teléfono o por correo de cualquier Centro de Servicio o Distribuidor, autorizados.


Esta máquina provee un excelente servicio. Sin embargo, los mejores resultados se obtienen a un costo mínimo si:

- La máquina se opera con un cuidado razonable.
- La máquina se mantiene regularmente - según las instrucciones de cuidado de la máquina provistas.
- La máquina se mantiene con piezas provistas por el fabricante o equivalentes.



PROTECCIÓN DEL MEDIO AMBIENTE

Deseche el material de embalaje y los componentes usados de la máquina de forma segura para el medio ambiente, de acuerdo con las normativas locales sobre desecho de residuos.



No olvide reciclar.

DATOS DE LA MÁQUINA

Rellénela cuando realice la instalación para utilizarla como referencia en el futuro.

Modelo nº - _____

Nº de serie - _____

Opciones de la máquina - _____

Vendedor - _____

Nº de teléfono del vendedor - _____

Nº de cliente - _____

Fecha de instalación - _____

TENNANT Company

PO Box 1452

Minneapolis, MN 55440 EE.UU.

Teléfono: (800) 553-8033 o (763) 513-2850

Las características técnicas y las piezas están sujetas a modificaciones sin previo aviso.

Copyright © 1999-2009 TENNANT COMPANYY.
 Todos los derechos reservados. Impreso en EE. UU.

TABLA DE MATERIAS

MEDIDAS DE SEGURIDAD	17	DIAGRAMAS ELECTRICAS	43
INSTRUCCIONES PARA REALIZAR LA TOMA DE TIERRA	18	LISTA DE PIEZAS	
ADHESIVOS DE SEGURIDAD	19	GRUPO DEL BASTIDOR SUPERIOR	44
COMPONENTES DE LA MÁQUINA	20	CONJUNTO CONSOLA DE CONTROLES ..	46
INSTALACIÓN DE LA MÁQUINA	21	CONJUNTO DEL CHASIS	48
FUNCIONAMIENTO DE LA MÁQUINA	21	GRUPO BASE	50
ANTES DE LA PUESTA EN MARCHA	21	CLASIFICCIÓN DE LA BOMBA	52
LIMPIEZA DE MOQUETAS	22	OPCIONES	
AL UTILIZAR LA MÁQUINA	22	HERRAMIENTA MANUAL	53
UTILIZACIÓN DE ACCESORIOS (OPCIONAL)	23	HERRAMIENTA MANUAL, HENDIDURAS .	53
AJUSTE DE LA ALTURA DEL CEPILLO	23	HERRAMIENTA MANUAL, TAPICERIA BAJA PRESION	54
VACIADO DE LOS DEPÓSITOS	23	MANGUERAS DE DISOLUCIÓN Y ASPIRACIÓN	55
VACIADO DEL DEPÓSITO DE RECUPERACIÓN	23	PUMP-UP CARPET SPRAYER	55
VACIADO DE LA DISOLUCIÓN LIMPIADORA SOBRANTE	24	HARD FLOOR SQUEEGEE ASSEMBLY ...	55
MANTENIMIENTO DE LA MÁQUINA	24	HERRAMIENTA DE PISO, BAJA PRESION 13 in / 330 mm	56
MANTENIMIENTO DIARIO)	24	HERRAMIENTA DE PISO, BAJA PRESION 16 in / 406 mm	58
MANTENIMIENTO MENSUAL	25		
REVISIÓN DE LA MÁQUINA:	25		
ALMACENAMIENTO DE LA MÁQUINA	25		
STOCK RECOMENDADO DE REPUESTOS ...	25		
LOCALIZACIÓN DE AVERÍAS	26		
ESPECIFICACIONES	28		
DIMENSIONES DE LA MÁQUINA	28		

MEDIDAS DE SEGURIDAD

Esta máquina está destinada al uso comercial. Está diseñada exclusivamente para limpiar moquetas y tapicerías en interiores y no es adecuada para ningún otro uso. Utilice únicamente los accesorios y productos limpiadores para moquetas específicos para máquinas disponibles en el mercado.

Todos los operarios deben leer, comprender y cumplir las siguientes medidas de seguridad:

A lo largo de todo el manual se utilizan los siguientes símbolos de advertencia y encabezados “PARA SU SEGURIDAD” descritos a continuación:

⚠ ADVERTENCIA: Advierte sobre riesgos o prácticas inseguras que podrían provocar lesiones personales graves o fatales.

PARA SU SEGURIDAD: Identifica las operaciones que debe realizar para una utilización segura del equipo.

El no cumplimiento de estas advertencias puede causar lesiones personales, descargas eléctricas, incendios y explosiones.

⚠ ADVERTENCIA: Peligro de incendio o explosión:

- Nunca utilice líquidos inflamables ni haga funcionar la máquina en las proximidades de líquidos, vapores o polvos inflamables.

La máquina no está equipada con motores a prueba de explosiones. Los motores eléctricos producirán chispas tanto durante el arranque como durante su utilización que pueden provocar incendios o explosiones si utiliza la máquina en presencia de líquidos o vapores inflamables o partículas combustibles.

- NO recoja materiales inflamables ni metales reactivos.

⚠ ADVERTENCIA: Peligro eléctrico. No utilice la máquina si el cable eléctrico está deteriorado. No modifique el enchufe. Desconecte el cable eléctrico antes de realizar operaciones de mantenimiento en la máquina.

Si el cable eléctrico está deteriorado o roto, deberá ser sustituido por el fabricante, el servicio técnico del fabricante u otra persona cualificada para evitar riesgos.

⚠ ADVERTENCIA: Cepillo giratorio. Mantenga alejadas las manos. Apague la máquina antes de trabajar en ella.

⚠ ADVERTENCIA: Peligro de descarga eléctrica. No utilice en exteriores. No exponga la máquina a la lluvia. Guárdela en un lugar cerrado.

La siguiente información indica las condiciones potencialmente peligrosas para el operario o equipo.

PARA SU SEGURIDAD:

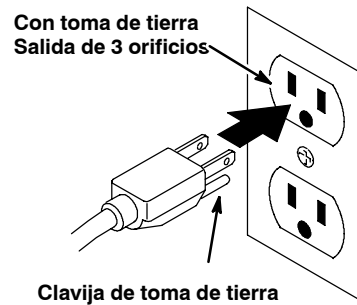
1. No utilice la máquina:
 - Con líquidos inflamables o cerca de gases inflamables, ya que podría provocar explosiones o llamaradas.
 - A no ser que esté debidamente formado y autorizado.
 - Salvo haber leído y comprendido el manual del operario.
 - Salvo que el cable esté conectado a una toma de tierra que funcione correctamente.
 - Con un cable o enchufe en malas condiciones.
 - Si la máquina no funciona correctamente.
 - En exteriores.
 - Donde exista agua encharcada.
 - Con cables alargadores adicionales. Utilice únicamente el cable alargador incluido en la máquina para asegurarse de que la capacidad es la adecuada y que presenta toma de tierra.
2. Antes de utilizar la máquina:
 - Asegúrese de que todos los dispositivos de seguridad se encuentren en su lugar y funcionen correctamente.
 - Coloque indicaciones de suelo mojado si lo considera necesario.
3. Al utilizar la máquina:
 - No permita que la máquina se desplace sobre el cable.
 - No tire del cable ni del enchufe para desplazar la máquina.
 - Evite pasar el cable por aristas o esquinas.
 - No desenchufe la máquina tirando del cable.
 - No estire demasiado el cable.
 - No toque el enchufe con las manos mojadas.
 - Mantenga el cable alejado de superficies calientes.

OPERACIÓN

- Informe inmediatamente de las averías de la máquina o del mal funcionamiento de la misma.
 - Siga las instrucciones de mezcla y manipulación indicadas en los envases de los productos químicos.
 - No permita nunca que los niños jueguen encima o alrededor de la máquina.
4. Antes de dejar o realizar operaciones de mantenimiento en la máquina:
- Apague la máquina.
 - Desconecte el cable del enchufe de la pared.
5. Cuando realice operaciones de mantenimiento:
- Desconecte el cable del enchufe de la pared.
 - Evite las partes en movimiento. No utilice chaquetas, camisas o mangas sueltas.
 - Utilice repuestos suministrados o aprobados por el fabricante.
 - Todas las reparaciones deben ser realizadas por personal técnico cualificado.
 - No modifique el diseño original de la máquina.
6. Al transportar la máquina:
- Pida ayuda para levantar la máquina.
 - Desconecte el cable del enchufe de la pared.
 - Utilice las cintas para fijar la máquina al camión o remolque.

INSTRUCCIONES PARA REALIZAR LA TOMA DE TIERRA

La máquina debe estar conectada a una toma de tierra. En caso de funcionamiento incorrecto o avería de la máquina, la toma de tierra proporciona el camino de menor resistencia a la corriente eléctrica reduciendo de este modo el riesgo de descarga eléctrica. La máquina está equipada con un cable y enchufe con toma de tierra. Conecte el enchufe a una toma de pared adecuada e instalada de acuerdo con las normativas y ordenanzas locales. No retire la clavija de toma de tierra.



ADHESIVOS DE SEGURIDAD

El adhesivo de seguridad se encuentra en la posición indicada a continuación. Sustituya el adhesivo si se ha desprendido, está deteriorado o es ilegible.

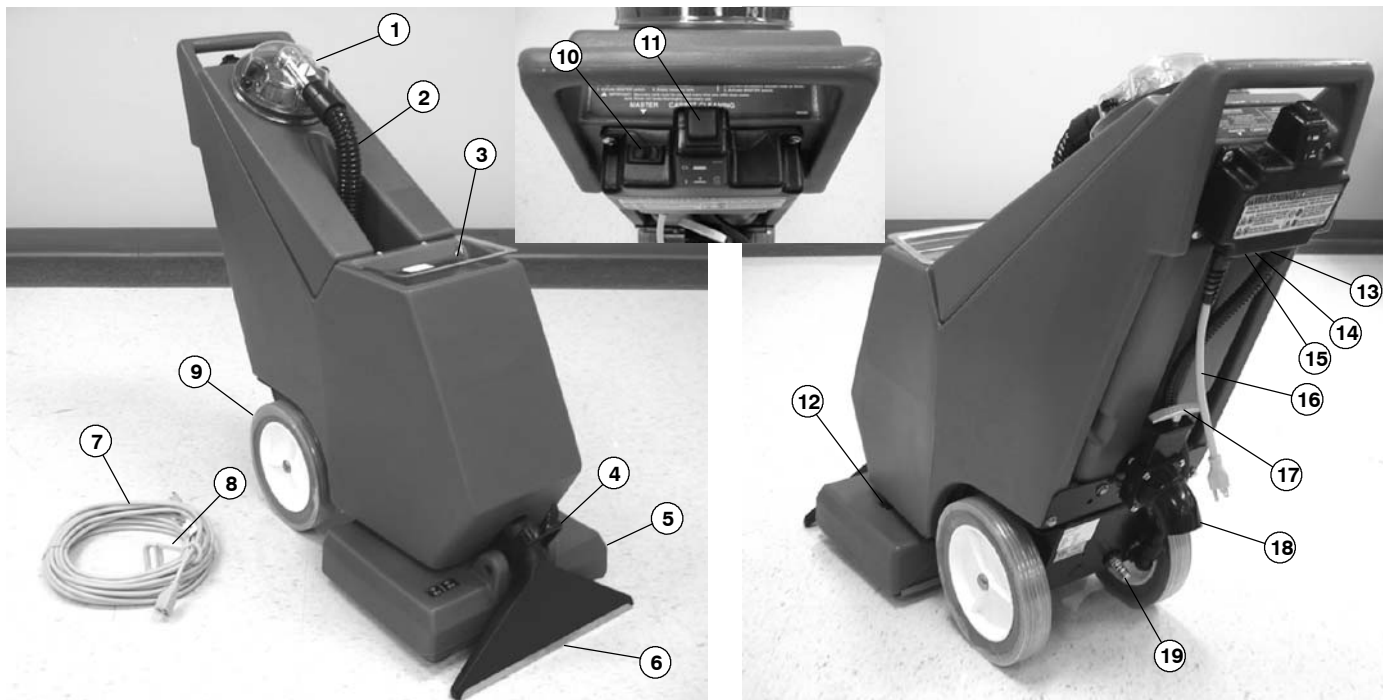


ADHESIVO DE ADVERTENCIA - Situado en la parte trasera de la consola de control.

⚠ WARNING	
  	
EXPLOSION, FIRE AND SHOCK HAZARD. AVOID INJURY. <ul style="list-style-type: none"> • Do Not Use or Pick Up Flammable Materials. • Do Not Use Near Flammable Liquids, Vapors or Combustible Dusts. • Do Not Operate With Damaged Power Cord. Do Not Modify Plug. Unplug Power Cord Before Servicing Machine. • Do Not Use Outdoors. Do Not Expose to Rain. Store Indoors. 	
⚠ AVERTISSEMENT	
RISQUE D'EXPLOSION, D'INCENDIE ET DE DÉCHARGE. ÉVITEZ LES BLESSURES. <ul style="list-style-type: none"> • N'utilisez Pas ou Ne Ramassez Pas de Matériaux Inflammables. • N'utilisez Pas Près de Liquides, Vapeurs ou Poussières Inflammables. • N'utilisez Pas la Machine Avec un Cordon d'Alimentation Endommagé. Ne Modifiez Pas la Prise. Débranchez le Cordon d'Alimentation Avant d'Entretenir la Machine. • N'utilisez Pas en Extérieur. N'Exposez Pas à la Pluie. Entrez à l'Intérieur. 	
⚠ ADVERTENCIA	
PELIGRO DE EXPLOSIÓN, FUEGO, DESCARGA EVITE LESIONES. <ul style="list-style-type: none"> • No Use Ó Recoja Materiales Flamables. • No Use Cerca De Líquidos Flamables, Vapores Ó Materiales Combustibles. • No Use Con Cable De Corriente Dañado. No Altere El Enchufe. Desconecte Cable De Corriente Antes Del Mantenimiento. • No Use Al Aire Libre. No Exponga A La Lluvia. Guarde Bajo Techo. 	
1026384	

OPERACIÓN

COMPONENTES DE LA MÁQUINA



1. Tapa del depósito de recuperación
2. Manguera de aspiración de recogida
3. Tapa del depósito de la disolución
4. Botón de ajuste de la altura del cepillo
5. Compartimento del cepillo
6. Cabezal de aspiración
7. Alargador eléctrico
8. Clip de liberación de tensión del cable (correa)
9. Ruedas para subir escaleras 254 mm / 10 pulg
10. Interruptor principal (aspiración y bomba)

11. Botón de limpieza de moqueta (cepillo)
12. Barra de pulverización
13. Cortacircuitos de la bomba
14. Cortacircuitos del cepillo
15. Cortacircuitos de la aspiración
16. Cable eléctrico flexible
17. Asa en T de la válvula de vaciado
18. Conducto de vaciado del depósito de recuperación
19. Acoplamiento rápido de la manguera de la disolución del accesorio

INSTALACIÓN DE LA MÁQUINA

1. Controle cuidadosamente si la caja presenta signos de deterioro. Si existieran desperfectos, informe inmediatamente al transportista. La máquina se entrega totalmente montada y lista para su utilización.
2. Llene el depósito de disolución con 30,8 L / 7 gal de agua caliente, a 60°C / 140°F como máximo (Figura 1).

NOTA: La temperatura del agua **no** debe superar los 60°C / 140°F o podría averiarse el depósito.

NOTA: Utilice cubos diferentes para llenar y vaciar la máquina y evitar que el sistema de la disolución se bloquee.



FIG. 1

⚠ ADVERTENCIA: Peligro de incendio o explosión. No utilizar **NUNCA** líquidos inflamables.

3. Añada una disolución limpiadora recomendada. Siga las instrucciones del envase.

PARA SU SEGURIDAD: Siga las instrucciones de mezcla y manipulación indicadas en los envases de los productos químicos cuando utilice la máquina.

ATENCIÓN: Si utiliza productos químicos limpiadores en polvo, mézclelos antes de añadirlos.

NOTA: Si lo desea, se consiguen excelentes resultados de limpieza con el uso sólo de agua caliente.

4. Cierre la tapa después de la operación de llenado.

FUNCIONAMIENTO DE LA MÁQUINA

PARA SU SEGURIDAD: No utilice la máquina salvo que haya leído y comprendido el manual del operario.

⚠ ADVERTENCIA: Peligro de incendio o explosión. Nunca utilice líquidos inflamables ni haga funcionar la máquina en las proximidades de líquidos, vapores o polvos inflamables.

ANTES DE LA PUESTA EN MARCHA

1. Pase el aspirador por la moqueta para eliminar partículas y otros residuos.
2. Compruebe si el cable eléctrico está deteriorado.

⚠ ADVERTENCIA: Peligro eléctrico. No utilice la máquina si el cable eléctrico está deteriorado. No modifique el enchufe. Desconecte el cable eléctrico antes de realizar operaciones de mantenimiento en la máquina.

Si el cable eléctrico está deteriorado o roto, deberá ser sustituido por el fabricante, el servicio técnico del fabricante u otra persona cualificada para evitar riesgos.

3. Enchufe el cable en una toma de la pared con toma de tierra (Figura 2).

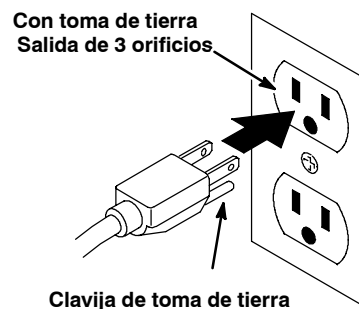


FIG. 2

PARA SU SEGURIDAD: No utilice la máquina con cables alargadores adicionales. Utilice únicamente el cable alargador incluido en la máquina para asegurarse de que la capacidad es la adecuada y que presenta toma de tierra.

OPERACIÓN

LIMPIEZA DE MOQUETAS

1. Encienda el interruptor principal (Figura 3).



FIG. 3

2. Mantenga pulsado el botón de limpieza de moquetas. Tire de la máquina hacia usted, 1,5 m / 4 ft. cada vez. Para obtener los mejores resultados, levante el asa de la máquina ligeramente mientras tira hacia atrás. Esta acción transfiere el peso de la máquina al cabezal de aspiración, obteniendo una recuperación de agua óptima (Figura 4).



FIG. 4

3. Al final de la pista, suelte el botón de limpieza de moquetas y siga tirando de la máquina hacia usted otros 30 cm para recoger la pulverización no recuperada. Empuje hacia abajo el asa y desplace la máquina a la siguiente zona que se limpiará. Haga que las pistas se superpongan 50 mm / 2 pulg.

⚠ ADVERTENCIA: Peligro de incendio o explosión. NO recoja materiales inflamables ni metales reactivos.

AL UTILIZAR LA MÁQUINA

1. Si es necesario, ajuste la altura del cepillo para que se ajuste al tipo de moqueta (consulte AJUSTE DE LA ALTURA DEL CEPILLO).
2. Trabaje alejado del enchufe de la pared y el cable eléctrico para evitar que se deterioren.
3. Controle si hay exceso de acumulación de espuma en el depósito de recuperación. Utilice una disolución recomendada para controlar la formación de espuma y evitar averías del motor (Figura 5).



FIG. 5

ATENCIÓN: No permita que la espuma entre en el filtro de aspiración. Pueden producirse daños en el motor de aspiración. La garantía no cubre estos daños.

4. Si se detiene el motor de aspiración o del cepillo, el cortacircuitos puede haberse disparado. Apague la máquina, desenchufe el cable de alimentación y compruebe si hay obstrucciones. Deje que el motor se enfríe y restablezca manualmente el botón del cortacircuitos, ubicado en la parte inferior de la caja de interruptores (Figura).



FIG. 6

⚠ ADVERTENCIA: Peligro eléctrico. Desconecte el cable eléctrico antes de realizar operaciones de mantenimiento en la máquina.

⚠ ADVERTENCIA: Cepillo giratorio. Mantenga alejadas las manos. Apague la máquina antes de trabajar en ella.

- Al finalizar la limpieza, realice las operaciones de mantenimiento diario.

NOTA: Deje que la moqueta seque aproximadamente una hora. Utilice ventiladores para reducir el tiempo de secado.

UTILIZACIÓN DE ACCESORIOS (OPCIONAL)

- Desconecte la manguera de aspiración de la tapa del depósito de recuperación y conecte la manguera de aspiración accesoria (Figura 7).
- Conecte la manguera accesoria de la disolución al acoplamiento rápido en la parte trasera de la máquina (Figura 7).



FIG. 7

- Acople el accesorio que desee utilizar a las mangueras.
- Encienda el interruptor principal.
- Haga funcionar la herramienta accesoria (Figura 8).

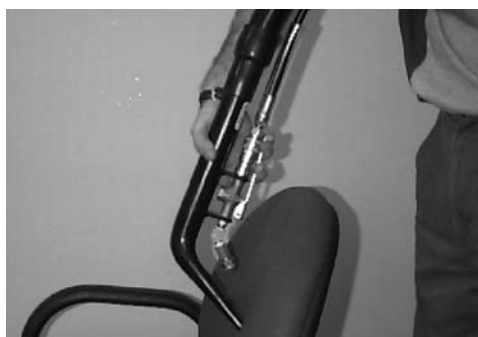


FIG. 8

⚠ ADVERTENCIA: Peligro de incendio o explosión. NO recoja materiales inflamables ni metales reactivos.

NOTA: Cuando limpie tapicería, consulte las instrucciones del fabricante con respecto a la limpieza del mueble.

- Después de utilizar la herramienta accesoria, reduzca la presión del agua del accesorio antes de desconectar la manguera. Apriete el mando durante cinco segundos después de apagar todos los interruptores.

AJUSTE DE LA ALTURA DEL CEPILLO

- Apague la máquina y desenchufe el cable eléctrico.

⚠ ADVERTENCIA: Peligro eléctrico. Desconecte el cable eléctrico antes de realizar operaciones de mantenimiento en la máquina.

⚠ ADVERTENCIA: Cepillo giratorio. Mantenga alejadas las manos. Apague la máquina antes de trabajar en ella.

- Ajuste el cepillo a la altura adecuada. Gire el botón de ajuste de la altura hasta que las cerdas toquen ligeramente la moqueta y, a continuación, gire el botón una vuelta entera. Gire el botón en el sentido de las agujas del reloj para elevarlo y en sentido contrario para bajarlo (Figura 9).



FIG. 9

VACIADO DE LOS DEPÓSITOS

⚠ ADVERTENCIA: Peligro eléctrico. Desconecte el cable eléctrico antes de realizar operaciones de mantenimiento en la máquina.

NOTA: Utilice cubos diferentes para llenar y vaciar la máquina y evitar que el sistema de la disolución se bloquee.

VACIADO DEL DEPÓSITO DE RECUPERACIÓN

- Cuando se agote el depósito de disolución, deberá vaciarse el depósito de recuperación. Para vaciar el depósito de recuperación, apague la máquina y coloque el cubo de descarga bajo el conducto de la válvula de vaciado.

NOTA: Utilice cubos diferentes para llenar y vaciar la máquina y evitar que el sistema de la disolución se bloquee.

OPERACIÓN

2. Tire del asa en T de la válvula de vaciado para vaciar el agua sucia (Figura 10).



FIG. 10

3. Cierre la válvula de vaciado antes de seguir con el funcionamiento.

VACIADO DE LA DISOLUCIÓN LIMPIADORA SOBRENTE

Cuando finalice la limpieza, utilice la manguera de aclarado de 1 m para aspirar el agua restante del depósito de disolución.

1. Conecte la manguera de aclarado a la tapa del depósito de recuperación (Figura 11).



FIG. 11

2. Encienda el interruptor principal de la y aspire la solución restante del depósito.
3. Vacíe el depósito de recuperación.

MANTENIMIENTO DE LA MÁQUINA

Para mantener la máquina en buenas condiciones, bastará realizar diaria y mensualmente las operaciones de mantenimiento.

⚠ ADVERTENCIA: Peligro eléctrico. Desconecte el cable eléctrico antes de realizar operaciones de mantenimiento en la máquina.

Póngase en contacto con el Servicio Técnico Autorizado para realizar las reparaciones necesarias.

PARA SU SEGURIDAD: Al realizar operaciones de mantenimiento en la máquina, todas las reparaciones deben ser realizadas por personal técnico cualificado.

MANTENIMIENTO DIARIO (Después de cada uso)

1. Vacíe y enjuague los depósitos concienzudamente (consulte Vaciado de depósitos).
2. Aclare la tapa del depósito de recuperación.
3. Retire el filtro del depósito de recuperación y límpielo (Figura 12).



FIG. 12

4. Retire y limpie los filtros de los dos depósitos ubicados en la parte inferior del depósito de disolución.
5. Retire las fibras de la moqueta atascadas y los residuos del cepillo.
6. Retire los residuos atascados en el cabezal de aspiración.
7. Compruebe si el cable eléctrico está deteriorado, sustitúyalo si así fuera. Guarde el cable enrollado después de cada uso.

Si el cable eléctrico está deteriorado o roto, deberá ser sustituido por el fabricante, el servicio técnico del fabricante u otra persona cualificada para evitar riesgos.

8. Inspeccione si hay obstrucciones en el patrón de pulverización. Si existen obstrucciones, retire las puntas de pulverización y sumérgalas una solución de ácido acético durante seis horas. No utilice objetos puntiagudos para desobstruir las puntas o podría dañarlas.

PARA SU SEGURIDAD: Siga las instrucciones de mezcla y manipulación indicadas en los envases de los productos químicos cuando utilice la máquina.

- Limpie la máquina con un limpiador no abrasivo que no contenga disolventes.

ATENCIÓN: No moje la máquina rociándola o utilizando una manguera. Podría averiar los componentes eléctricos.

MANTENIMIENTO MENSUAL (Cada 80 horas de utilización)

- Aclare el sistema de la bomba con una solución de ácido acético para disolver las acumulaciones normales de productos alcalinos. Siga las instrucciones indicadas a continuación:

PARA SU SEGURIDAD: Siga las instrucciones de mezcla y manipulación indicadas en los envases de los productos químicos cuando utilice la máquina.

- Mezcle .5 L / 16 oz de una disolución de ácido acético con 7,5 L / 2 gal de agua caliente, a 60 °C / 140° como máximo y viértala en el depósito de disolución.

NOTA: La temperatura del agua **no** debe superar los 60 °C / 140 °F o podría averiarse el depósito.

NOTA: Si utiliza un cubo, asegúrese de que dicho cubo esté limpio. Esto evitará posibles obstrucciones de las tuberías de la disolución.

- Encienda la máquina.
 - Sitúe el compartimento del cepillo sobre el desagüe y haga funcionar la máquina durante 1 minuto.
 - Apague la máquina y deje que la solución restante actúe durante la noche y disuelva las acumulaciones alcalinas.
 - Al día siguiente, aclare pulverizando la disolución restante y enjuague el sistema con 11 L/3 gal de agua limpia.
- Lubrique las ruedas con aceite impermeable.
 - Controle si la máquina presenta fugas de agua.
 - Controle si los tornillos de la máquina están sueltos.

REVISIÓN DE LA MÁQUINA:

Para facilitar las tareas de mantenimiento, los depósitos de la máquina se abren y separan del chasis para permitir el acceso a los componentes del interior.

ATENCIÓN: Asegúrese de que los depósitos estén vacíos antes de abrirlos.

- Retire los dos tornillos de cabeza hexagonal traseros, ubicados bajo las ruedas posteriores del chasis.
- Retire los dos tornillos de cabeza Allen.

- Retire los dos tornillos de cabeza hexagonal restantes ubicados en la parte delantera del chasis.
- Levante los depósitos hacia arriba, alejándolos del chasis. La herramienta de aspiración girará hacia arriba con los depósitos.

ALMACENAMIENTO DE LA MÁQUINA

- Antes de guardar la máquina, asegúrese de aclarar y vaciar todo el agua de los depósitos de la máquina.
- Guarde la máquina en posición vertical en un sitio seco con el cepillo levantado, sin que toque el suelo.
- Retire la tapa de recuperación para facilitar la circulación de aire.

ATENCIÓN: Si guarda la máquina a temperaturas iguales o inferiores a 0°C / 32°F, asegúrese de que la máquina, la bomba y el sistema de pulverización están totalmente vacíos y secos. La garantía no cubre averías causadas por heladas.

⚠ ADVERTENCIA: Peligro de descarga eléctrica. No utilizar en exteriores. No exponga la máquina a la lluvia. Guárdela en un lugar cerrado.

STOCK RECOMENDADO DE REPUESTOS

Consulte el manual de repuestos para saber qué repuestos conviene tener en stock. Los repuestos que debe tener en almacén se identifican fácilmente por la marca que precede a la descripción de las piezas. Consulte el siguiente ejemplo:

Ref.	Part No.	Description	Qty.
1	701103	ASM., STANDPIPE	1
2	180613	●FLOAT, SHUTOFF	1
3	230187	NIPPLE	1
4	101714	●GASKET	1
5	210240	NUT, FLANGED	1

OPERACIÓN

LOCALIZACIÓN DE AVERÍAS

PROBLEMA	CAUSA	SOLUCIÓN
La máquina no funciona.	Cableado o interruptores averiados.	Contactar con el Servicio Técnico.
	Cable eléctrico defectuoso.	Contactar con el Servicio Técnico.
	Cortacircuitos del edificio disparado.	Reajustar el cortacircuitos.
La bomba de la disolución no funciona.	Sobrecalentamiento de la bomba.	Determinar la causa y esperar 20 minutos a que la bomba se enfríe. Reajustar el cortacircuitos.
	Bomba de la disolución defectuosa.	Contactar con el Servicio Técnico.
	Solenoide defectuoso.	Contactar con el Servicio Técnico.
	Interruptor defectuoso	Contactar con el Servicio Técnico.
	Cables rotos o sueltos.	Contactar con el Servicio Técnico.
El motor de aspiración no funciona.	Sobrecarga térmica del motor de aspiración	Controlar si está bloqueado el flujo de aire, esperar 20 minutos a que el motor se enfríe.
	Cortacircuitos del motor de aspiración activado.	Reajustar el cortacircuitos.
	Cables rotos o sueltos.	Contactar con el Servicio Técnico.
	Interruptor principal defectuoso.	Contactar con el Servicio Técnico.
	Motor de aspiración defectuoso.	Contactar con el Servicio Técnico.
	Escobillas de carbón gastadas.	Sustituir los cepillos o llamar al servicio técnico.
El motor del cepillo no funciona.	Cortacircuitos del motor del cepillo activado.	Retirar la obstrucción del cepillo o reajustar la altura del cepillo. Reajustar el botón del cortacircuitos del cepillo de la caja de interruptores.
	No se ha pulsado el interruptor de limpieza de moquetas.	Pulse el interruptor de limpieza de moquetas.
	Motor del cepillo defectuoso.	Contactar con el Servicio Técnico.
	Correa del cepillo floja o rota.	Contactar con el Servicio Técnico.
	Cableado o interruptor averiados.	Contactar con el Servicio Técnico.
Recogida insuficiente	Abrir la válvula de vaciado.	Cerrar la válvula.
	Filtro del depósito de recuperación atascado.	Retirar la tapa del depósito de recuperación y limpiar la pelusa del filtro.
	Fuga de aire alrededor de la tapa del depósito de recuperación.	Apriete los botones de la tapa del depósito de recuperación o sustituya la junta.
	Conexiones de la manguera de aspiración sueltas.	Fijar bien las conexiones.
	Manguera de aspiración defectuosa.	Sustituir la manguera.
	Conexiones de la manguera de aspiración sueltas.	Fijar bien las conexiones a la manguera.
	La máquina se desplaza demasiado rápido.	Reducir la velocidad de la operación de limpieza.

LOCALIZACIÓN DE AVERÍAS

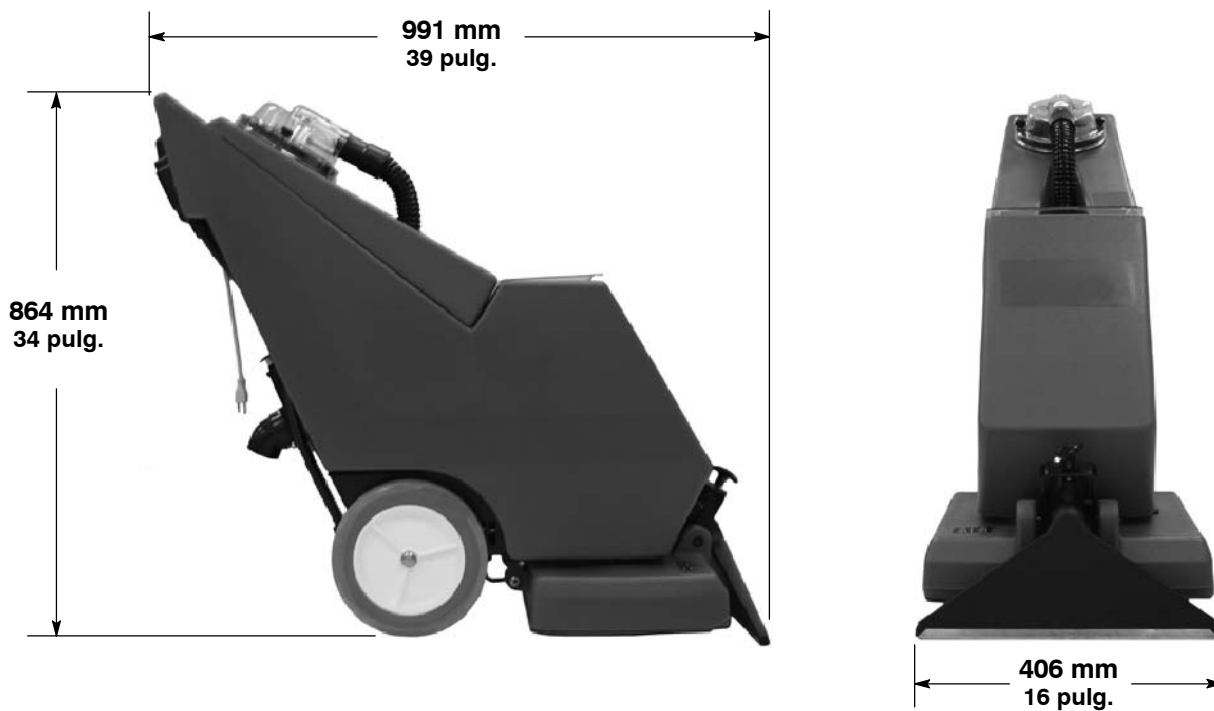
PROBLEMA	CAUSA	SOLUCIÓN
Pulverización irregular o inexistente.	Puntas de pulverización sucias o bloqueadas.	Limpiar o sustituir las puntas.
	Tamaño o ángulo de la punta de pulverización incorrectos.	Sustituir por las puntas correctas.
	Puntas de pulverización desgastadas.	Sustituir las puntas de pulverización.
	Nivel del depósito de la disolución bajo o vacío.	Rellenar el depósito de la disolución.
	Bomba de la disolución defectuosa.	Contactar con el Servicio Técnico.
	Filtro del depósito de la disolución bloqueado.	Limpiar filtro.
Fugas en la válvula de vaciado.	Juntas de la válvula de vaciado gastadas.	Sustituir las juntas.
	Pelusas o suciedad en la válvula de vaciado.	Limpiar la válvula.

OPERACIÓN

ESPECIFICACIONES

Modelo	1220
LONGITUD	991 mm / 39 pulg.
ANCHURA	406 mm / 16 pulg.
ALTURA	864 mm 34 pulg.
PESO	39 kg / 86 lb
CAPACIDAD DEL DEPÓSITO DE LA DISOLUCIÓN	31 L / 7 gal
CAPACIDAD DEL DEPÓSITO DE RECUPERACIÓN	31 L / 7 gal
ANCHURA DE LA PISTA DE LIMPIEZA	406 mm / 16 pulg.
VELOCIDAD MÁXIMA DE LIMPIEZA	186 m ² por hora / 2,000 sq. ft. por hora
MOTOR DEL CEPILLO	120 V, .1 hp, 1 A, 120 W, 1800 rpm
VELOCIDAD DEL CEPILLO	1200 rpm
BOMBA DE LA DISOLUCIÓN	120 V, 6,9 bares (100 psi), 1 A
MOTOR DE ASPIRACIÓN	120 V, 1,66 hp, 10,3 A, 1236 W, trifásico
ELEVACIÓN DE AGUA	2.972 mm / 117 pulg.
CONSUMO ELÉCTRICO TOTAL	120 V, 12,7 A, 1524 W
DECIBELIOS A LA ALTURA DEL OPERARIO EN RECINTO CERRADO CON SUELO ENMOQUETADO	>70 dB(A)

DIMENSIONES DE LA MÁQUINA




Ce manuel est fourni avec chaque nouveau modèle. Il fournit les instructions nécessaires au fonctionnement et à l'entretien.

Lisez complètement ce manuel et familiarisez-vous avec la machine avant de l'utiliser ou de l'entretenir.

Une liste complète de pièces détachées avec illustrations accompagne également chaque nouveau modèle. Utilisez la liste de pièces détachées pour commander des pièces de rechange. Avant de commander des pièces ou des fournitures, soyez sûr d'avoir avec vous le numéro de modèle de la machine et le numéro de série. Les pièces et les fournitures se commandent par téléphone ou par courrier auprès de tout centre de dépannage agréé, de tout distributeur ou de l'une des filiales du fabricant.

Cette machine vous fournira d'excellents services. Toutefois, vous obtiendrez les meilleurs résultats pour un prix de revient minimum si:


- La machine est manipulée avec un certain soin.
- La machine fait l'objet d'un entretien régulier conformément aux instructions d'entretien de ce manuel.
- L'entretien de la machine est effectué avec des pièces fournies par le fabricant ou des pièces équivalentes.



PROTECTION DE L'ENVIRONNEMENT

Veillez éliminer les matériaux d'emballage et les composants usagés de l'appareil de manière à protéger l'environnement, conformément aux règlements locaux concernant l'élimination des déchets.

N'oubliez pas de toujours recycler.



Tennant Company

PO Box 1452

Minneapolis, MN 55440 USA

Phone: (800) 553-8033 or (763) 513-2850

Les spécifications et pièces sont susceptibles de modification sans préavis.

Copyright © 1999-2009 TENNANT Company.

Tous droits réservés. Imprimé en USA

DONNÉES DE LA MACHINE

A remplir au moment de l'installation à titre de référence.

N° du modèle - _____

N° de série - _____

Options de la machine - _____

Agent commercial - _____

N° de tél. de l'agent commercial - _____

Numéro de client - _____

Date d'installation - _____

TABLE DES MATIÈRES

MESURES DE SÉCURITÉ	31	SYSTÈM ÉLECTRIQUE	43
INSTRUCTIONS DE MISE À LA TERRE ...	32	LISTE DES PIÈCES	
ÉTIQUETTES DE MISE EN GARDE	33	PARTIE DU SUPÉRIEURE	44
COMPOSANTS DE LA MACHINE	34	GROUPE TABLEAU DE COMMANDE	46
MISE EN SERVICE DE LA MACHINE	35	GROUPE DU CHASSIS	48
FONCTIONNEMENT DE L'APPAREIL	35	GROUPE BASE	50
OPÉRATIONS PRÉLIMINAIRES	35	ENSEMBLE DE LA BROSSÉ	52
NETTOYAGE DES MOQUETTES	36	ÉQUIPEMENT AU CHOIX	
PENDANT LE FONCTIONNEMENT	36	OUTIL A MAIN	53
FONCTIONNEMENT DES ACCESSOIRES		OUTIL POUR FISSURES	53
(EN OPTION)	37	OUTIL À MAIN À BASSE PRESSION POUR	
RÉGLAGE DE LA HAUTEUR DE BROSSÉ	37	TISSUS D'AMEUBLEMENT	54
VIDANGE DES RÉSERVOIRS	38	TUYAUX DE SOLUTION ET D'EXTRACTION	55
VIDANGE DU RÉSERVOIR DE		PUMP-UP CARPET SPRAYER	55
RÉCUPÉRATION	38	HARD FLOOR SQUEEGEE ASSEMBLY ...	55
VIDANGE DE LA SOLUTION NETTOYANTE		OUTIL DE SOL À BASSE PRESSION	
RESTANTE	38	13 in / 330 mm	56
ENTRETIEN DE LA MACHINE	38	OUTIL DE SOL À BASSE PRESSION	
ENTRETIEN QUOTIDIEN	38	16 in / 406 mm	58
ENTRETIEN MENSUEL	39		
ENTRETIEN DE LA MACHINE :	39		
ENTREPOSAGE DE LA MACHINE	39		
ARTICLES DE STOCK RECOMMANDÉS	40		
DÉPISTAGE DES PANNES	40		
DONNÉES TECHNIQUES	42		
DIMENSIONS DE LA MACHINE	42		

MESURES DE SÉCURITÉ

Cette machine est conçue pour un usage commercial. Elle est destinée exclusivement au nettoyage des moquettes et tissus d'ameublement dans un environnement intérieur et ne convient pas à un quelconque autre usage. Utilisez uniquement des accessoires et des produits nettoyants pour moquettes disponibles dans le commerce, prévus pour l'utilisation de la machine.

Tous les opérateurs sont tenus de lire et comprendre les consignes de sécurité suivantes et de se familiariser avec celles-ci.

Le symbole de mise en garde suivant et l'en-tête « POUR VOTRE SECURITE » sont utilisés tout au long de ce manuel comme indiqué dans leur description :

⚠ MISE EN GARDE : identifie la présence de dangers ou les opérations dangereuses susceptibles de blesser grièvement ou de provoquer la mort.

POUR VOTRE SECURITÉ : identifie les instructions qui doivent être suivies afin de garantir la sécurité lors de l'utilisation de l'équipement.

Le fait de ne pas respecter ces avertissements peut entraîner des blessures, un choc électrique, un incendie ou une explosion.

⚠ MISE EN GARDE : danger d'incendie ou d'explosion :

- N'utilisez jamais de liquides inflammables ou n'utilisez pas la machine dans ou près de liquides ou vapeurs inflammables ou de poussières combustibles.

Cette machine n'est pas équipée de moteurs protégés contre les explosions. Les moteurs électriques émettent des étincelles au moment du démarrage et pendant leur fonctionnement, ce qui peut entraîner un incendie instantané ou une explosion si la machine est utilisée dans une zone où des vapeurs/liquides inflammables ou des poussières combustibles, sont présents.

- Ne ramassez pas de matériaux inflammables ou de métaux réactifs.

⚠ MISE EN GARDE : danger électrique. N'utilisez pas la machine avec un cordon d'alimentation endommagé. Ne modifiez pas la

prise. Débranchez le cordon d'alimentation avant d'entretenir la machine.

Si le cordon d'alimentation est endommagé ou rompu, il doit être remplacé par le fabricant ou son agent de maintenance ou toute autre personne qualifiée, afin d'éviter tout danger.

⚠ MISE EN GARDE : brosse en rotation. Eloignez vos mains. Coupez le contact avant de travailler sur la machine.

⚠ MISE EN GARDE : Risque d'électrocution. Ne pas utiliser à l'extérieur. N'exposez pas à la pluie. Entrez à l'intérieur.

Les signaux d'information ci-après indiquent les situations potentiellement dangereuses pour l'opérateur ou l'équipement :

POUR VOTRE SECURITÉ :

1. N'utilisez pas la machine :
 - avec des liquides inflammables ou près de vapeurs inflammables, afin d'éviter le risque d'explosion ou d'incendie instantané.
 - Si vous n'y êtes pas formé et autorisé.
 - Avant d'avoir lu et compris le manuel opérateur.
 - Si le cordon n'est pas correctement relié à la terre.
 - Avec des cordons ou prises endommagés.
 - Si elle n'est pas en bon état de marche.
 - À l'extérieur.
 - Dans l'eau stagnante.
 - Avec des rallonges de cordons supplémentaires. Utilisez uniquement les rallonges de cordons équipées avec la machine ; celles-ci possèdent la capacité adéquate et sont reliées à la terre.
2. Avant d'utiliser la machine :
 - Assurez-vous que tous les dispositifs de sécurité se trouvent à leur place et fonctionnent correctement.
 - Placez les signes SOL HUMIDE si nécessaire.
3. Lors de l'utilisation de la machine :
 - Ne roulez pas sur le cordon avec l'appareil.
 - Ne tirez pas la machine par la prise ou le cordon.
 - Ne tirez pas le cordon près des bords ou des coins vifs.

FONCTIONNEMENT

- Ne débranchez pas l'appareil en tirant sur le cordon.
- N'étirez pas le cordon.
- Ne manipulez pas la prise avec des mains mouillées.
- Éloignez le cordon des surfaces chaudes.
- Signalez immédiatement tout dommage occasionné à la machine ou tout mauvais fonctionnement.
- Suivez les instructions de mélange et de manipulation indiquées sur les conteneurs chimiques.
- Empêchez les enfants de jouer à proximité de la machine.

4. Avant de quitter ou d'entretenir la machine :

- Coupez le contact de la machine.
- Débranchez le cordon de la prise murale.

5. Lors de l'entretien de la machine :

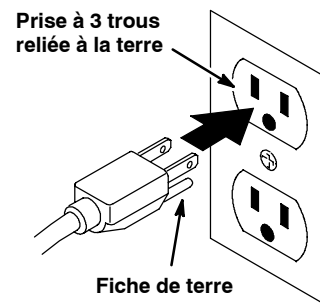
- Débranchez le cordon de la prise murale.
- Évitez les pièces mobiles. Ne portez pas de veste ou de chemise large ou de manches amples.
- Utilisez des pièces de rechanges fournies ou agréées par le fabricant.
- Toutes les réparations doivent être effectuées uniquement par un technicien qualifié.
- Ne modifiez pas le design d'origine de la machine.

6. Lors du transport de la machine :

- Demandez de l'aide pour soulever la machine.
- Débranchez le cordon de la prise murale.
- Utilisez des sangles pour arrimer la machine sur le camion ou la remorque.

INSTRUCTIONS DE MISE À LA TERRE

La machine doit être mise à la terre. En cas de dysfonctionnement ou de panne, la mise à la terre offre une voie de moindre résistance au courant électrique, afin de réduire le risque de décharge électrique. Cette machine est équipée d'un cordon muni d'un conducteur de terre principale et d'une fiche avec mise à la terre. La fiche doit être branchée sur une prise appropriée montée correctement, conformément aux réglementations et codes en vigueur au niveau local. Ne supprimez pas la fiche de mise à la terre ; si celle-ci manque, remplacez la prise avant d'utiliser la machine.



ÉTIQUETTES DE MISE EN GARDE

L'étiquette de mise en garde apparaît sur la machine à l'emplacement indiqué. Remplacez l'étiquette lorsqu'elle est endommagée ou qu'elle devient illisible.

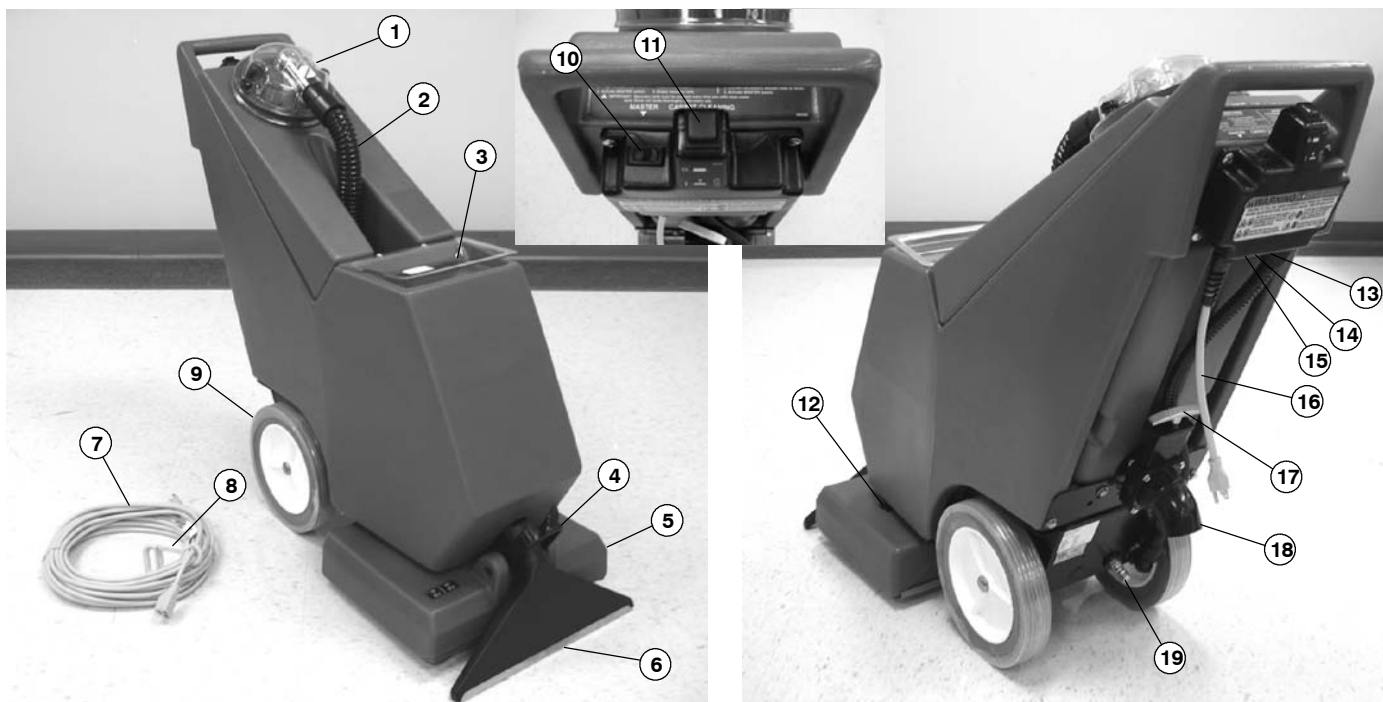


ÉTIQUETTE MISE EN GARDE – Située au dos du panneau de commande.

⚠ WARNING	
  	
<p>EXPLOSION, FIRE AND SHOCK HAZARD. AVOID INJURY.</p> <ul style="list-style-type: none"> • Do Not Use or Pick Up Flammable Materials. • Do Not Use Near Flammable Liquids, Vapors or Combustible Dusts. • Do Not Operate With Damaged Power Cord. Do Not Modify Plug. Unplug Power Cord Before Servicing Machine. • Do Not Use Outdoors. Do Not Expose to Rain. Store Indoors. 	
⚠ AVERTISSEMENT	
<p>RISQUE D'EXPLOSION, D'INCENDIE ET DE DÉCHARGE. ÉVITEZ LES BLESSURES.</p> <ul style="list-style-type: none"> • N'utilisez Pas ou Ne Ramassez Pas de Matériaux Inflammables. • N'utilisez Pas Près de Liquides, Vapeurs ou Poussières Inflammables. • N'utilisez Pas la Machine Avec un Cordon d'Alimentation Endommagé. Ne Modifiez Pas la Prise. Débranchez le Cordon d'Alimentation Avant d'Entretenir la Machine. • N'utilisez Pas en Extérieur. N'Exposez Pas à la Pluie. Entrez à l'Intérieur. 	
⚠ ADVERTENCIA	
<p>PELIGRO DE EXPLOSIÓN, FUEGO, DESCARGA EVITE LESIONES.</p> <ul style="list-style-type: none"> • No Use Ó Recoja Materiales Flamables. • No Use Cerca De Líquidos Flamables, Vapores Ó Materiales Combustibles. • No Use Con Cable De Corriente Dañado. No Altere El Enchufe. Desconecte Cable De Corriente Antes Del Mantenimiento. • No Use Al Aire Libre. No Exponga A La Lluvia. Guarde Bajo Techo. 	
1026384	

FONCTIONNEMENT

COMPOSANTS DE LA MACHINE



1. Couverture du réservoir de récupération
2. Tuyau de ramassage à extraction
3. Couverture antipoussière du réservoir de solution
4. Bouton de réglage de la hauteur de la brosse
5. Logement de brosse
6. Tête d'extracteur
7. Rallonge de cordon d'alimentation
8. Pince de décharge de traction de cordon (ceinture)
9. Roulettes de montée d'escalier 254 mm / 10"
10. Commutateur principal (Extracteur et pompe)

11. Bouton de nettoyage de moquettes (Brosse)
12. Barre de diffusion
13. Coupe-circuit de pompe
14. Coupe-circuit de brosse
15. Coupe-circuit d'extracteur
16. Toron de raccordement d'alimentation
17. Poignée en T de la vanne de vidange
18. Bec de vidange du réservoir de récupération
19. Raccord rapide du tuyau de solution de l'accessoire

MISE EN SERVICE DE LA MACHINE

1. Vérifiez soigneusement si le carton ne présente pas de dommages. Signalez immédiatement tout dommage au transporteur. La machine est expédiée montée et prête à l'emploi.
2. À l'aide d'un tuyau ou d'un seau, remplissez le réservoir de 30,8 L / 7 gal d'eau chaude, à une température maximale de 60°C / 140°F (Figure 1).

REMARQUE : La température de l'eau ne doit **pas** excéder 60°C / 140°F, afin d'éviter tout endommagement du réservoir.

REMARQUE : Utilisez différents seaux pour remplir et pour vider la machine, afin d'éviter l'obstruction du système de solution.



FIG. 1

⚠ MISE EN GARDE : danger d'incendie ou d'explosion. N'utilisez jamais de liquides inflammables.

3. Ajoutez une solution de nettoyage recommandée. Suivez les instructions de dosage figurant sur le flacon.

POUR VOTRE SECURITÉ : lorsque vous utilisez la machine, suivez les instructions de mélange et de manipulation indiquées sur les conteneurs chimiques.

ATTENTION : Si vous utilisez des nettoyants chimiques en poudre, mélangez avant d'ajouter les produits.

REMARQUE : Si vous le souhaitez, utilisez de l'eau chaude uniquement : vous obtiendrez un excellent résultat.

4. Refermez le couvercle après le remplissage.

FONCTIONNEMENT DE L'APPAREIL

POUR VOTRE SECURITÉ : n'utilisez pas la machine avant d'avoir lu et compris le manuel opérateur.

⚠ MISE EN GARDE : danger d'incendie ou d'explosion. N'utilisez jamais de liquides inflammables ou n'utilisez pas la machine dans ou près de liquides ou vapeurs inflammables ou de poussières combustibles.

OPÉRATIONS PRÉLIMINAIRES

1. Aspirez la moquette pour enlever les particules et les autres débris.
2. Vérifiez si le cordon d'alimentation n'est pas endommagé.

⚠ MISE EN GARDE : danger électrique. N'utilisez pas la machine avec un cordon d'alimentation endommagé. Ne modifiez pas la prise. Débranchez le cordon d'alimentation avant d'entretenir la machine.

Si le cordon d'alimentation est endommagé ou rompu, il doit être remplacé par le fabricant ou son agent de maintenance ou toute autre personne qualifiée, afin d'éviter tout danger.

3. Branchez le cordon d'alimentation dans une prise murale munie d'une broche de terre (Figure 2).

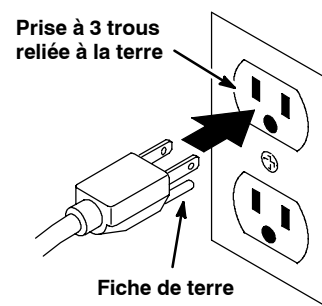


FIG. 2

POUR VOTRE SECURITÉ : N'utilisez pas la machine avec des rallonges de câbles supplémentaires. Utilisez uniquement les rallonges de cordons équipées avec la machine ; celles-ci possèdent la capacité adéquate et sont reliées à la terre.

FONCTIONNEMENT

NETTOYAGE DES MOQUETTES

1. Activez le commutateur principal (Figure 3).



FIG. 3

2. Appuyez sur le bouton de nettoyage de moquettes et maintenez-le enfoncé. Tirez la machine vers vous, de 1,5 m / 4 ft à la fois. Pour les meilleurs résultats, soulevez légèrement la poignée de la machine tout en tirant vers l'arrière. Ceci permet de transférer le poids de la machine vers la tête d'extraction pour une meilleure récupération d'eau (Figure 4).



FIG. 4

3. À la fin du couloir, relâchez le bouton de nettoyage de moquettes et continuez à tirer la machine vers vous d'encre 30 cm / 1 ft, pour récupérer la solution pulvérisée non récupérée. Poussez la poignée vers le bas et déplacez la machine vers la prochaine zone à nettoyer. Faites chevaucher de 50 mm / 2" chaque couloir de nettoyage.

⚠ MISE EN GARDE : danger d'incendie ou d'explosion. Ne ramassez pas de matériaux inflammables ou de métaux réactifs.

PENDANT LE FONCTIONNEMENT

1. Si nécessaire, ajustez la hauteur de la brosse pour l'adapter au type de moquette (voir RÉGLAGE DE LA HAUTEUR DE BROSSE).
2. Restez à l'écart de la prise murale et du cordon d'alimentation pour éviter d'endommager le cordon d'alimentation.
3. Vérifiez si une quantité importante de mousse ne s'est pas formée dans le réservoir de récupération. Utilisez un désémulsifiant recommandé pour prévenir tout dommage du moteur (Figure 5).



FIG. 5

ATTENTION : Ne laissez pas la mousse pénétrer dans le filtre d'extracteur. Vous risquez d'endommager le moteur d'extraction. Ces dommages ne sont pas couverts par la garantie.

4. Si la brosse ou le moteur d'extraction s'arrêtent, il se peut que le coupe-circuit ait été déclenché. Coupez l'alimentation de la machine, débranchez le cordon d'alimentation et vérifiez la présence d'obstructions. Laissez refroidir le moteur et réenclenchez manuellement le bouton du coupe-circuit, situé en bas du boîtier de manœuvre (Figure 6).



FIG. 6

⚠ MISE EN GARDE : danger électrique. Débranchez le cordon d'alimentation avant d'entretenir la machine.

⚠ MISE EN GARDE : brosse en rotation. Éloignez vos mains. Coupez le contact avant de travailler sur la machine.

- Après le nettoyage, effectuez la procédure d'entretien quotidien de la machine.

REMARQUE : Laissez sécher la moquette pendant une heure maximum. Utilisez des systèmes de soufflerie pour réduire le temps de séchage.

FONCTIONNEMENT DES ACCESSOIRES (EN OPTION)

- Débranchez le tuyau d'aspiration du couvercle du réservoir de récupération et branchez le tuyau d'aspiration de l'instrument à la place (Figure 7).
- Branchez le tuyau de solution de l'accessoire sur le raccord rapide, situé à l'arrière de la machine (Figure 7).



FIG. 7

- Fixez l'instrument de votre choix aux tuyaux.
- Activez le commutateur principal.
- Commencez à utiliser l'accessoire (Figure 8).



FIG. 8

⚠ MISE EN GARDE : danger d'incendie ou d'explosion. Ne ramassez pas de matériaux inflammables ou de métaux réactifs.

REMARQUE : Lorsque vous nettoyez des tissus d'ameublement, vérifiez toujours les instructions de nettoyage du fabricant cousues dans le meuble.

- Après avoir utilisé l'instrument accessoire, réduisez la pression d'eau dans l'instrument, avant de débrancher le tuyau. Appuyez sur le déclencheur pendant cinq secondes après avoir coupé l'alimentation.

RÉGLAGE DE LA HAUTEUR DE BROSSE

- Coupez l'alimentation de la machine et débranchez le cordon d'alimentation de la prise murale.

⚠ MISE EN GARDE : danger électrique. Débranchez le cordon d'alimentation avant d'entretenir la machine.

⚠ MISE EN GARDE : brosse en rotation. Eloignez vos mains. Coupez le contact avant de travailler sur la machine.

- Régalez la brosse à la bonne hauteur. Tournez le bouton de réglage de hauteur jusqu'à ce que les poils de la brosse touchent légèrement la moquette, puis tournez encore le bouton d'un demi-tour. Tournez le bouton dans le sens des aiguilles d'une montre pour relever la brosse et tournez-le dans le sens contraire des aiguilles d'une montre pour la rabaisser (Figure 9).



FIG. 9

VIDANGE DES RÉSERVOIRS

⚠ MISE EN GARDE : danger électrique.
Débranchez le cordon d'alimentation avant d'entretenir la machine.

REMARQUE : Utilisez différents seaux pour remplir et pour vider la machine, afin d'éviter l'obstruction du système de solution.

VIDANGE DU RÉSERVOIR DE RÉCUPÉRATION

1. Lorsque le réservoir de solution est vide, le réservoir de récupération *doit* être vidé. Pour vider le réservoir de récupération, coupez l'alimentation de la machine et placez un seau sous le bec inférieur de la vanne de vidange.

REMARQUE : Utilisez différents seaux pour remplir et pour vider la machine, afin d'éviter l'obstruction du système de solution.

2. Tirez la poignée en T sur la vanne de vidange, afin de vider l'eau sale (Figure 10).

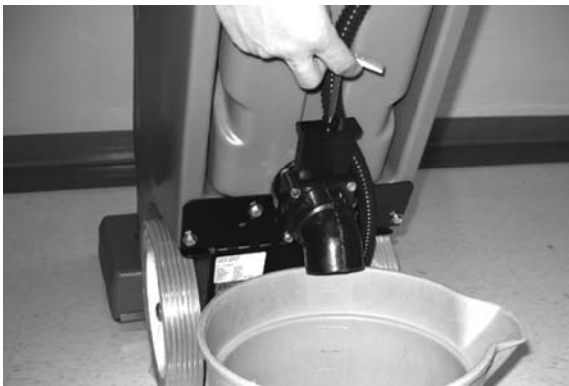


FIG. 10

3. Refermez la vanne de vidange avant de poursuivre l'opération.

VIDANGE DE LA SOLUTION NETTOYANTE RESTANTE

Lorsque vous finissez le nettoyage, utilisez un tuyau de nettoyage de 1 m pour aspirer l'eau restante dans le réservoir de solution.

1. Raccordez le tuyau de nettoyage sur le couvercle du réservoir de récupération (Figure 11).



FIG. 11

2. Activez le commutateur principal et aspirez la solution restante dans le réservoir.
3. Videz le réservoir de récupération.

ENTRETIEN DE LA MACHINE

Pour maintenir la machine en bonne condition de fonctionnement, suivez simplement les procédures d'entretien quotidiennes et mensuelles de la machine.

⚠ MISE EN GARDE : danger électrique.
Débranchez le cordon d'alimentation avant d'entretenir la machine.

Contactez un service de réparation agréé pour les réparations de la machine.

POUR VOTRE SECURITÉ : Lors du dépannage de la machine, toutes les réparations doivent être effectuées uniquement par un technicien qualifié.

ENTRETIEN QUOTIDIEN (Après chaque utilisation)

1. Videz et rincez soigneusement les réservoirs (Voir Vidange des réservoirs).
2. Rincez le couvercle du réservoir de récupération.
3. Retirez et nettoyez le filtre du réservoir de récupération (Figure 12).



FIG. 12

4. Retirez et nettoyez les deux filtres de réservoir situés au fond du réservoir de solution.
5. Retirez toute fibre de moquette et tout débris coincé dans la brosse.
6. Retirez tout débris coincé dans la tête d'extraction.
7. Inspectez le cordon d'alimentation pour voir s'il n'est pas endommagé. Remplacez-le en cas d'endommagement. Enroulez soigneusement le cordon après chaque utilisation.

Si le cordon d'alimentation est endommagé ou rompu, il doit être remplacé par le fabricant ou son agent de maintenance ou toute autre personne qualifiée, afin d'éviter tout danger.

8. Vérifiez si le système de diffusion n'est pas obstrué. S'il est obstrué, enlevez les gicleurs et faites-les tremper dans une solution d'acide acétique pendant six heures maximum. N'utilisez pas d'objet pointu pour enlever les gicleurs pour éviter tout dommage.

POUR VOTRE SECURITÉ : lorsque vous utilisez la machine, suivez les instructions de mélange et de manipulation indiquées sur les conteneurs chimiques.

9. Nettoyez la machine avec un produit non-abrasif et non-solvant.

ATTENTION : N'utilisez pas de jet de pression sur la machine. Vous risquez d'endommager les composants électriques.

ENTRETIEN MENSUEL

(Toutes les 80 heures de service)

1. Rincez le système de pompage avec une solution d'acide acétique pour dissoudre la formation normale de produits chimiques alcalins. Suivez les instructions ci-après:

POUR VOTRE SECURITÉ : lorsque vous utilisez la machine, suivez les instructions de mélange et de manipulation indiquées sur les conteneurs chimiques.

- a. Mélangez 0,5 L / 16 oz d'une solution d'acide acétique avec 7,5 L / 2 gal d'eau chaude, à une température maximale de 60°C / 140°F, puis versez le mélange dans le réservoir de solution.

REMARQUE : La température de l'eau ne doit pas excéder 60°C, afin d'éviter tout endommagement du réservoir.

REMARQUE : Si vous remplissez le réservoir avec un seau, assurez-vous que le seau est propre. Ce, afin d'éviter tout risque d'obstruction des conduites du système de distribution de la solution.

- b. Allumez la machine.

- c. Positionnez le carter de la brosse au-dessus d'un trou de vidange et faites fonctionner la machine pendant une minute.
 - d. Coupez la machine et laissez la solution restante décomposer les dépôts alcalins toute la nuit.
 - e. Le lendemain, vidangez le reste de solution et rincez le système avec 11 L / 3 gal d'eau claire.
2. Lubrifiez les roulettes avec une huile résistant à l'eau.
 3. Vérifiez si la machine n'a pas de fuite.
 4. Contrôlez si les vis de la machine sont bien serrées.

ENTRETIEN DE LA MACHINE :

Pour faciliter l'entretien, les réservoirs de la machine sont articulés afin de pouvoir pivoter hors du châssis pour permettre l'accès aux composants internes.

ATTENTION : Assurez-vous que les réservoirs sont vides avant de les ouvrir.

1. Retirez les deux vis arrière à tête hexagonale, situées sous les roulettes arrière du châssis.
2. Retirez deux vis Allen.
3. Retirez deux vis restantes à tête hexagonale, situées à l'avant du châssis.
4. Soulevez les réservoirs et sortez-les du châssis. L'outil d'extraction pivote vers le haut en même temps que les réservoirs.

ENTREPOSAGE DE LA MACHINE

1. Avant d'entreposer la machine, veillez à rincer les réservoirs et à faire la vidange de toute l'eau de la machine.
2. Entreposez la machine verticalement à l'abri de l'humidité en veillant à ce que les brosses soient relevées du sol.
3. Enlevez le couvercle du réservoir de récupération pour favoriser la circulation d'air.

ATTENTION : En cas d'entreposage de la machine à des températures inférieures à 0°C / 32°F, veillez à ce que la machine, la pompe et le système de pulvérisation soient tout à fait vides et secs. Les dommages occasionnés par le gel ne sont pas couverts par la garantie.

⚠ MISE EN GARDE : Risque d'électrocution. Ne pas utiliser à l'extérieur. N'exposez pas à la pluie. Entreposez à l'intérieur.

FONCTIONNEMENT

ARTICLES DE STOCK RECOMMANDÉS

Reportez-vous à la section Liste des pièces du manuel pour les articles de stock recommandés. Les articles de stock sont clairement identifiés à l'aide d'un point précédant la description de la pièce. Voir l'exemple ci-dessous :

Ref.	Part No.	Description	Qty.
1	701103	ASIM., STANDPIPE	1
2	180618	● FLOAT, SHUTOFF	1
3	230197	NIPPLE	1
4	101714	● GASKET	1
5	210240	NUT, FLANGED	1

DÉPISTAGE DES PANNES

PROBLÈME	CAUSE	REMÈDE
La machine ne fonctionne pas.	Interrupteurs ou fils défectueux.	Contactez le service de dépannage.
	Cordon d'alimentation défectueux.	Contactez le service de dépannage.
	Coupe-circuit du bâtiment déclenché.	Réenclenchez le coupe-circuit.
La pompe à solution ne fonctionne pas.	Surchauffe de la pompe.	Déterminez la cause et laissez refroidir la pompe pendant 20 minutes. Réenclenchez le coupe-circuit.
	Pompe à solution défectueuse.	Contactez le service de dépannage.
	Solénoïde défectueux.	Contactez le service de dépannage.
	Interrupteur défectueux.	Contactez le service de dépannage.
	Câblage lâche ou cassé.	Contactez le service de dépannage.
Le moteur de l'extracteur ne fonctionne pas.	Dispositif de surcharge thermique du moteur de l'extracteur déclenché.	Vérifiez si le passage d'air n'est pas obstrué, laissez le moteur refroidir 20 minutes.
	Coupe-circuit du moteur d'extracteur déclenché.	Réenclenchez le coupe-circuit.
	Câblage lâche ou cassé.	Contactez le service de dépannage.
	Commutateur principal défectueux.	Contactez le service de dépannage.
	Moteur d'aspiration défectueux.	Contactez le service de dépannage.
	Balais de charbon usés.	Remplacez les balais ou faites faire un entretien.
Le moteur de la brosse ne fonctionne pas.	Coupe-circuit du moteur de la brosse déclenché.	Enlevez les débris causant l'obstruction OU réglez la hauteur de la brosse. Réenclenchez le bouton du coupe-circuit de la brosse qui se trouve dans le bas de la boîte des interrupteurs.
	Bouton de nettoyage de moquettes pas activé.	Appuyez sur le bouton de nettoyage de moquettes.
	Moteur de brosse défectueux.	Contactez le service de dépannage.
	Courroie de la brosse lâche ou cassée.	Contactez le service de dépannage.
	Bouton ou fil défectueux.	Contactez le service de dépannage.

DÉPISTAGE DES PANNES

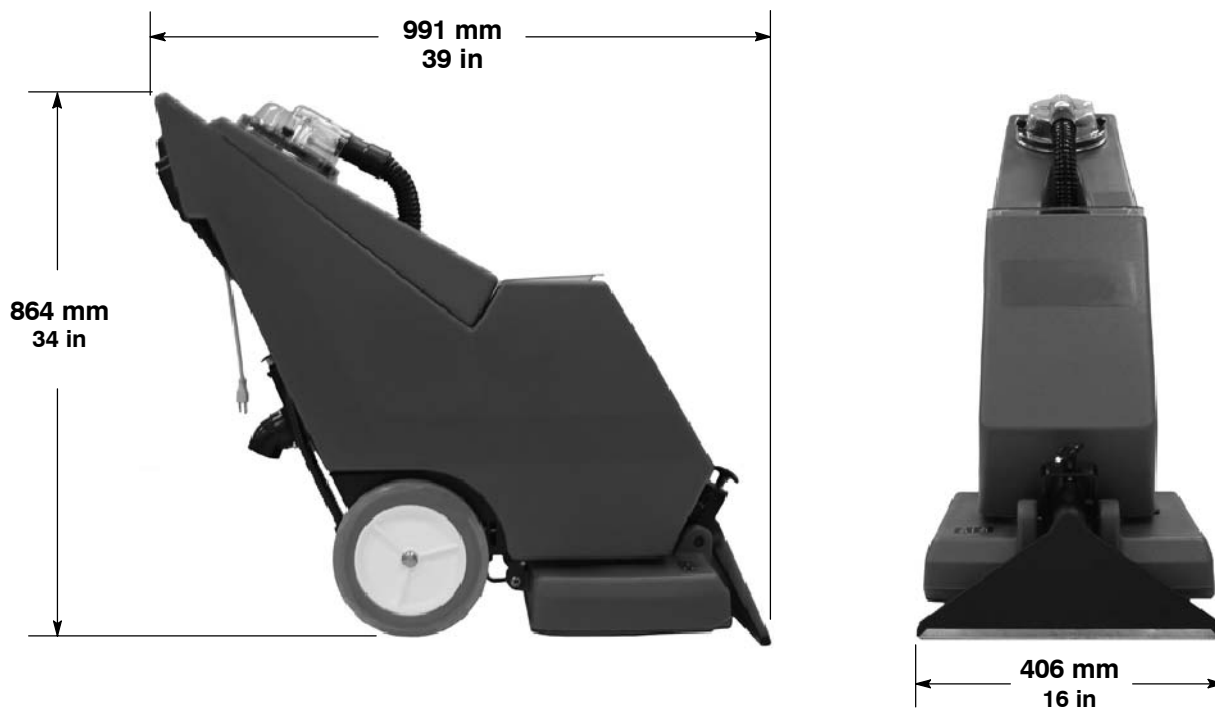
PROBLÈME	CAUSE	REMÈDE
Ramassage non satisfaisant de l'eau.	Ouvrez la vanne de vidange.	Refermez la vanne.
	Filtre du réservoir de récupération obstrué.	Retirez le couvercle du réservoir de récupération et débarrassez le filtre des peluches.
	Fuite d'air autour du couvercle du réservoir de récupération.	Resserrez les boutons du couvercle du réservoir de récupération ou remplacez le joint.
	Raccords du tuyau d'aspiration détachés.	Attachez fermement les raccords.
	Tuyau d'aspiration défectueux.	Remplacez le tuyau.
	Raccords du tuyau d'aspiration détachés.	Rattachez fermement les raccords au tuyau.
	Déplacement trop rapide de la machine.	Réduisez la vitesse du processus de nettoyage.
Diffusion irrégulière ou nulle.	Gicleurs sales ou obstrués.	Nettoyez ou remplacez les gicleurs.
	Taille du gicleur ou angle d'aspersion inapproprié.	Remplacez par des gicleurs appropriés.
	Gicleurs usés.	Remplacez les gicleurs.
	Réservoir de solution plus assez rempli ou vide.	Remplissez le réservoir de solution.
	Pompe à solution défectueuse.	Contactez le service de dépannage.
	Filtre du réservoir obstrué.	Nettoyez le filtre.
Fuite de la vanne de vidange.	Joints de la vanne de vidange usés.	Remplacez les joints.
	Peluches ou saleté dans la vanne de vidange.	Nettoyez la vanne.

FONCTIONNEMENT

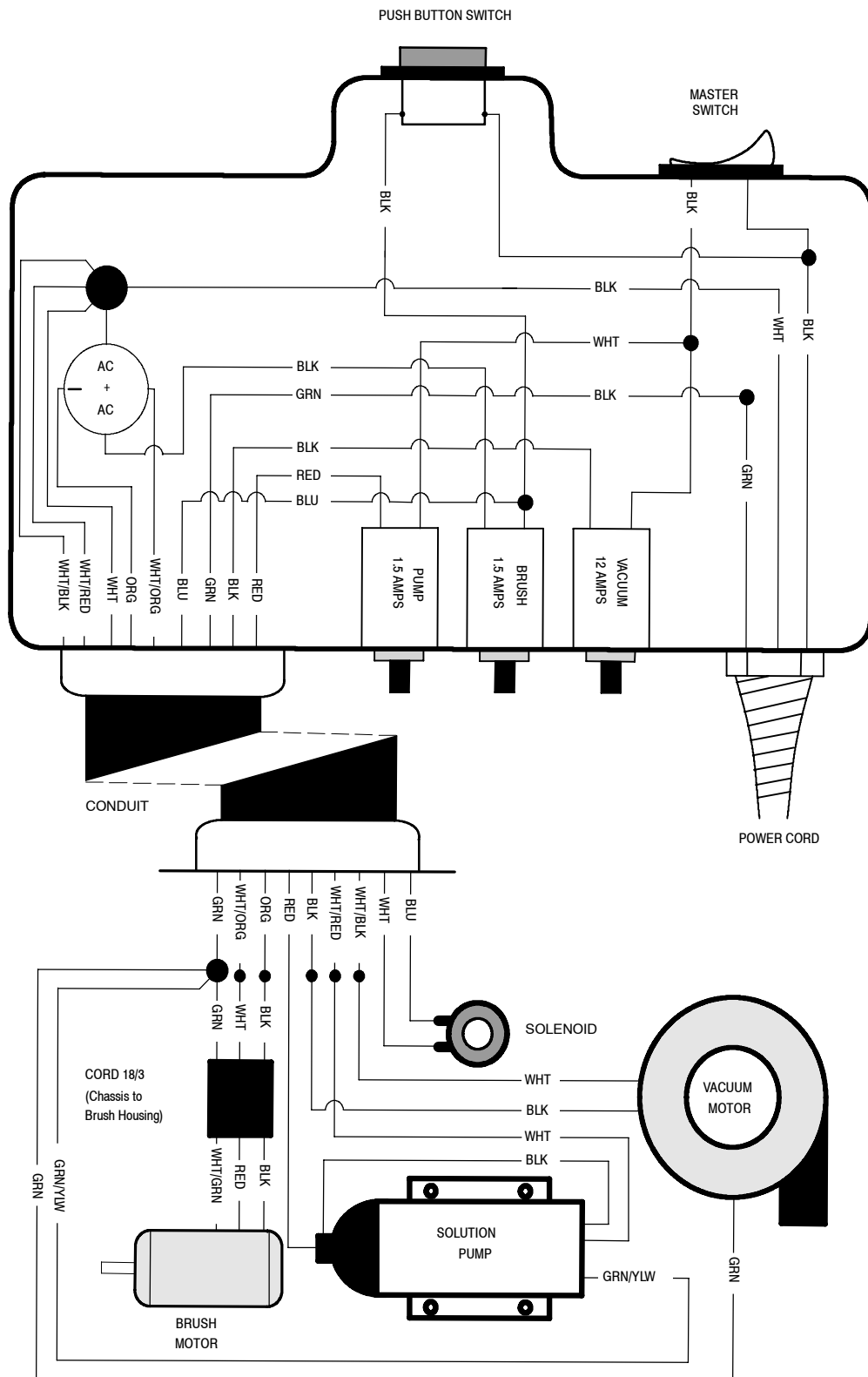
DONNÉES TECHNIQUES

Modèle	1220
LONGUEUR	991 mm / 39 in
LARGEUR	406 mm / 16 in
HAUTEUR	864 mm / 34 in
POIDS	39 kg / 86 lb
CAPACITÉ DU RÉSERVOIR DE SOLUTION	31 L / 7 gal
CAPACITÉ DU RÉSERVOIR DE RÉCUPÉRATION	31 L / 7 gal
LARGEUR DE LA TRACE DE NETTOYAGE	406 mm / 16 in
CAPACITÉ MAXIMALE DE NETTOYAGE	186 m ² par heure / 2000 sq. ft par heure
MOTEUR DE BROSSE	120 V, 0,1 CV, 1 A, 120 W, 1.800 tr/min
VITESSE DE LA BROSSE	1200 tours/min.
POMPE À SOLUTION	120 V, 6,9 bar / 100 psi, 1 A
MOTEUR D'EXTRACTION	120 V, 1,66 CV, 13 A, 1.560 W, 3 étages
HAUTEUR D'ASPIRATION SCELLÉE	2.972 mm / 117 in
CONSUMMATION ÉLECTRIQUE TOTALE	120 V, 12,7 A, 1.524 W
NIVEAU SONORE AU NIVEAU DE L'OREILLE DE L'OPÉRATEUR, À L'INTÉRIEUR SUR DE LA MOQUETTE	>70 dB(A)

DIMENSIONS DE LA MACHINE

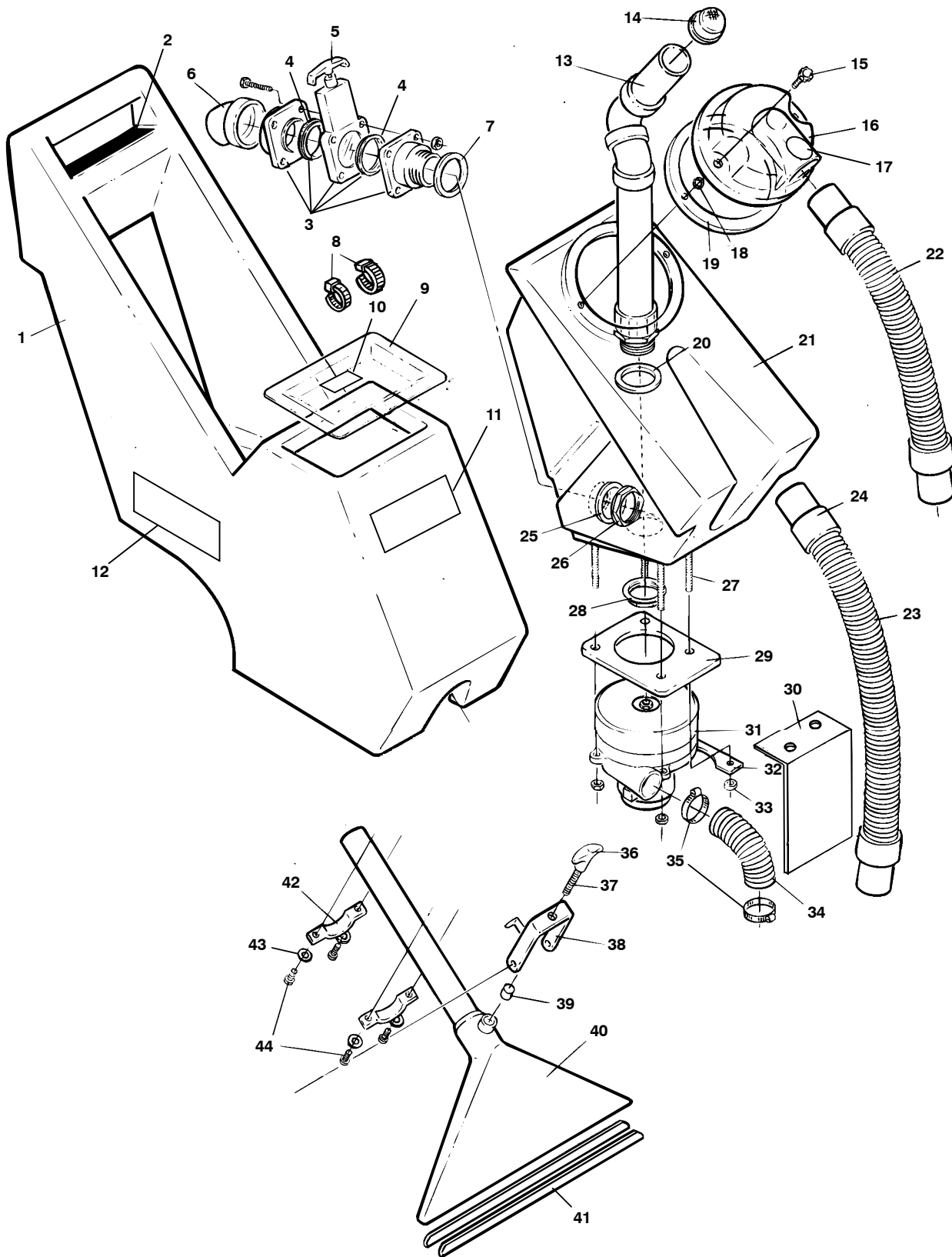


120V WIRING DIAGRAM



PARTS LIST - LISTA DE PIEZAS - LISTE DES PIÈCES

UPPER HOUSING GROUP / GRUPO DEL BASTIDOR SUPERIOR / PARTIE DU SUPÉRIEURE



PARTS LIST - LISTA DE PIEZAS - LISTE DES PIÈCES

UPPER HOUSING GROUP / GRUPO DEL BASTIDOR SUPERIOR / PARTIE DU SUPÉRIEURE

REF	PART #	DESCRIPTION	QTY.
1	607855	TANK, SOLTN, RM-TL, TRIMMED (TEAL)	1
	1028572	TANK, SOLTN, RM-CPHG, TRIMMED (GRAY)	1
2	602505	LABEL, INSTRUCTIONS	1
▽ 3	210231	●VALVE, WATER, GATE, 24PM W/ HANDLE	1
▲ 4	210239	●SEAL, GATE DRAIN VALVE	2
▲ 5	210237	●HANDLE, METAL - DRAIN VALVE	1
6	210232	DOWNSPOUT, DRAIN VALVE	1
7	210234	●GASKET, DRAIN VALVE	1
8	130040	TIE, CABLE, NYL 6.0L, .12W	2
9	230500	COVER, DUST	1
10	120906	LABEL, IMPORTANT - DRAIN	1
11	120210	LABEL, TENNENT LOGO WHT 4.75	1
12	608158	LABEL [TENNANT 1220]	2
13	700144	STANDPIPE ASSEMBLY	1
14	180612	●SCREEN, STANDPIPE	1
15	240217	●KNOB, RECOVERY DOME	2
16	100112	DOME, RECOVERY	1
17	120399	LABEL, DO NOT ALLOW FOAM	1
18	140037	WASHER, FLAT, 0.22B 0.44D .03	2
19	100042	GASKET, RECOVERY DOME	1
20	230159	●O-RING, STANDPIPE	1
21	607857	TANK, RECVY, 07GAL, RM-TL, TRIMMED (TEAL)	1
	1028574	TANK, RECVY, RM-CPHG, TRIMMED (GRAY)	1

REF	PART #	DESCRIPTION	QTY.
22	160421	HOSE, VACUUM, 1.5D X 19L, 2-CUFFS	1
▽ 23	160424	●HOSE, VACUUM 1.5D X 36L, 2-CUFFS (CLEANOUT)	1
▲ 24	160430	●HOSE CUFF, 1-1/2 X 1-1/2	2
25	101714	GASKET, WASTE CHAMBER	1
26	210240	NUT, HEX, FLNG 1-1/2 FPT METAL	1
27	140227	SCREW, STUD, 1/4-20 X 5 ZINC	4
28	210240	NUT, HEX, FLNG 1-1/2 FPT METAL	1
29	100037	GASKET, VACUUM MOTOR	1
30	230503	SHIELD, VACUUM MOTOR	1
▽ 31	130416	●FAN, VACUUM, 5.7D 3S 120V	1
▲	190160	●CARBON BRUSH (2/PK)	2
32	230237	BRACKET, SUPPORT	1
33	41169	NUT, HEX, LOCK, .25-20, NL, SS	4
34	1022164	HOSE, EXHAUST, 2.0"ID, 26"LG	1
35	140308	CLAMP, HOSE	2
36	240194	●KNOB, HEIGHT ADJUSTMENT	1
37	230382	STUD, HEIGHT ADJUSTMENT	1
38	230638.BK	BRACKET, HEIGHT ADJUSTMENT	1
39	140919	SPACER, NYLON	1
40	200450.BK	TOOL, FLOOR, 16" BLACK	1
41	200956	●SHOE, 16" FLOOR TOOL	2
42	140313	CLAMP, FLOOR TOOL	2
43	140016	WASHER, LOCK 1/4"	4
44	24672	SCREW, HEX, .25-20 X 0.75, SS	4

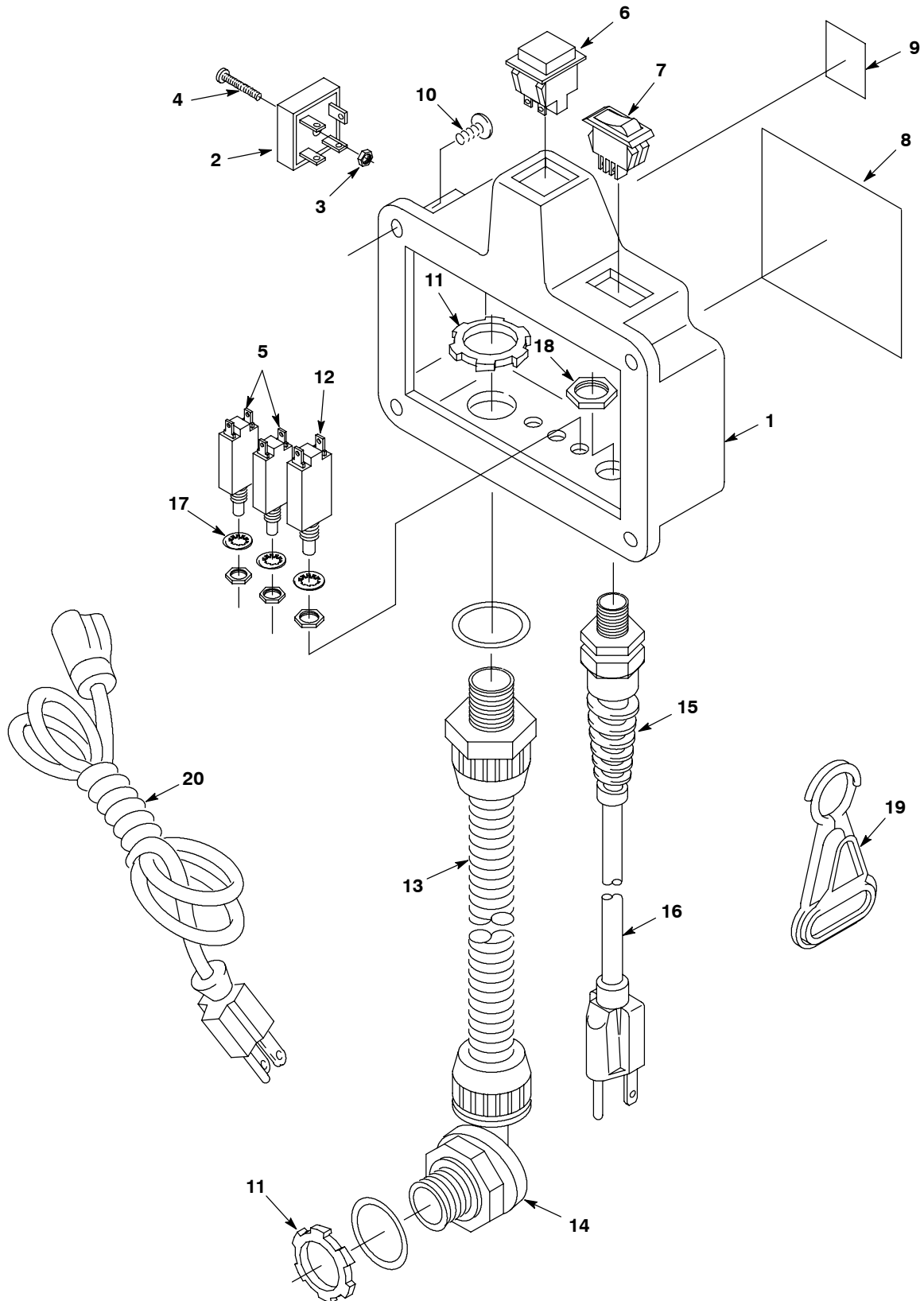
▽ ASSEMBLY / CONJUNTO / ENSEMBLE

▲ INCLUDED IN ASSEMBLY / INCLUIDO A CONJUNTA / Y COMPRIS EN ENSEMBLE

● RECOMMENDED STOCK ITEM / PIEZAS RECOMENDADAS EN ALMACÉN / ÉLÉMENTS DE STOCK RECOMMANDÉS

PARTS LIST - LISTA DE PIEZAS - LISTE DES PIÈCES

CONTROL CONSOLE GROUP - GROUPE TABLEAU DE COMMANDE- CONJUNTO CONSOLA DE CONTROLES



PARTS LIST - LISTA DE PIEZAS - LISTE DES PIÈCES

CONTROL CONSOLE GROUP - GROUPE TABLEAU DE COMMANDE- CONJUNTO CONSOLA DE CONTROLES

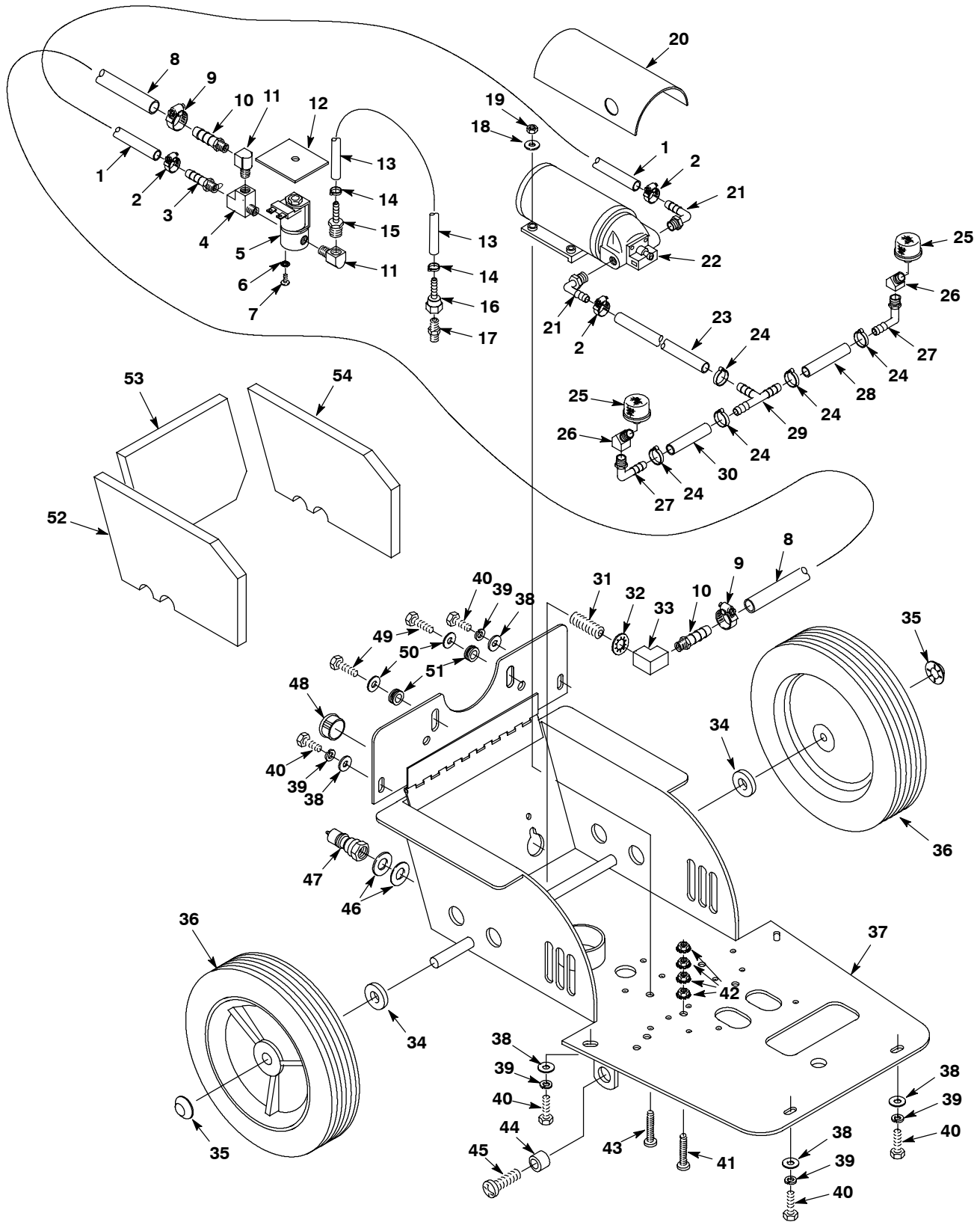
REF	PART #	DESCRIPTION	QTY.
▽ 1	612273	SWITCHBOX ASM, 120V BLACK	1
▲	611416	SWITCHBOX, SHALLOW RM-BLK ONLY	1
▲ 2	130304	●RECTIFIER, BRIDGE 600V 15AMP	1
▲ 3	140336	NUT, HEX, 10-24 NY	1
▲ 4	140335	SCREW, RND, 10-24 X 1 SLOT NY	1
▲ 5	578337000AM	●BREAKER, CIRCUIT, 1.5 AMP	2
▲ 6	130441AM	●SWITCH, PUSH MOMENTARY	1
▲ 7	130717	●SWITCH, ROCKER ON/OFF	1
▲ 8	1026384	LABEL, WARNING [EXPL,FIRE,SHK EN/FR/ES]	1
▲ 9	603829	LABEL, INSTR CLEAN ON/OFF KEMA	1
10	140889	SCREW, 1/4-20 X 3/4	4
▲ 11	140504	NUT, LOCK CONDUIT 1/2 NPT	2

REF	PART #	DESCRIPTION	QTY.
▲ 12	130670AM	●BREAKER, CIRCUIT, 12 AMP	1
▲▽ 13	130977	●HARNESS, WIRING	1
▲ 14	130242	●FITTING, PLSTC, E90 PM08, FLEXCON	1
▲ 15	130166	●GRIP, STRAIN-RELIEF W/NUT	1
▲ 16	130237	CORD, ASSY 14/3 X 18" YELLOW	1
▲ 17	140022	WASHER, INT 3/8 SS	3
▲ 18	612922	NUT, HEX PG-11 CORDGRIP METAL	1
19	130176	●CLIP, CORD STRAIN-RELIEF YELLOW (BELT)	1
20	130250	●CORD, POWER16/3 X 50FT EXT SJT YELLOW	1

- ▽ ASSEMBLY / CONJUNTO / ENSEMBLE
- ▲ INCLUDED IN ASSEMBLY / INCLUIDO A CONJUNTA / Y COMPRIS EN ENSEMBLE
- RECOMMENDED STOCK ITEM / PIEZAS RECOMENDADAS EN ALMACÉN / ÉLÉMENTS DE STOCK RECOMMANDÉS

PARTS LIST - LISTA DE PIEZAS - LISTE DES PIÈCES

CHASSIS GROUP - GROUPE DU CHASSIS - CONJUNTO DEL CHASIS



PARTS LIST - LISTA DE PIEZAS - LISTE DES PIÈCES

CHASSIS GROUP - GROUPE DU CHASSIS - CONJUNTO DEL CHASIS

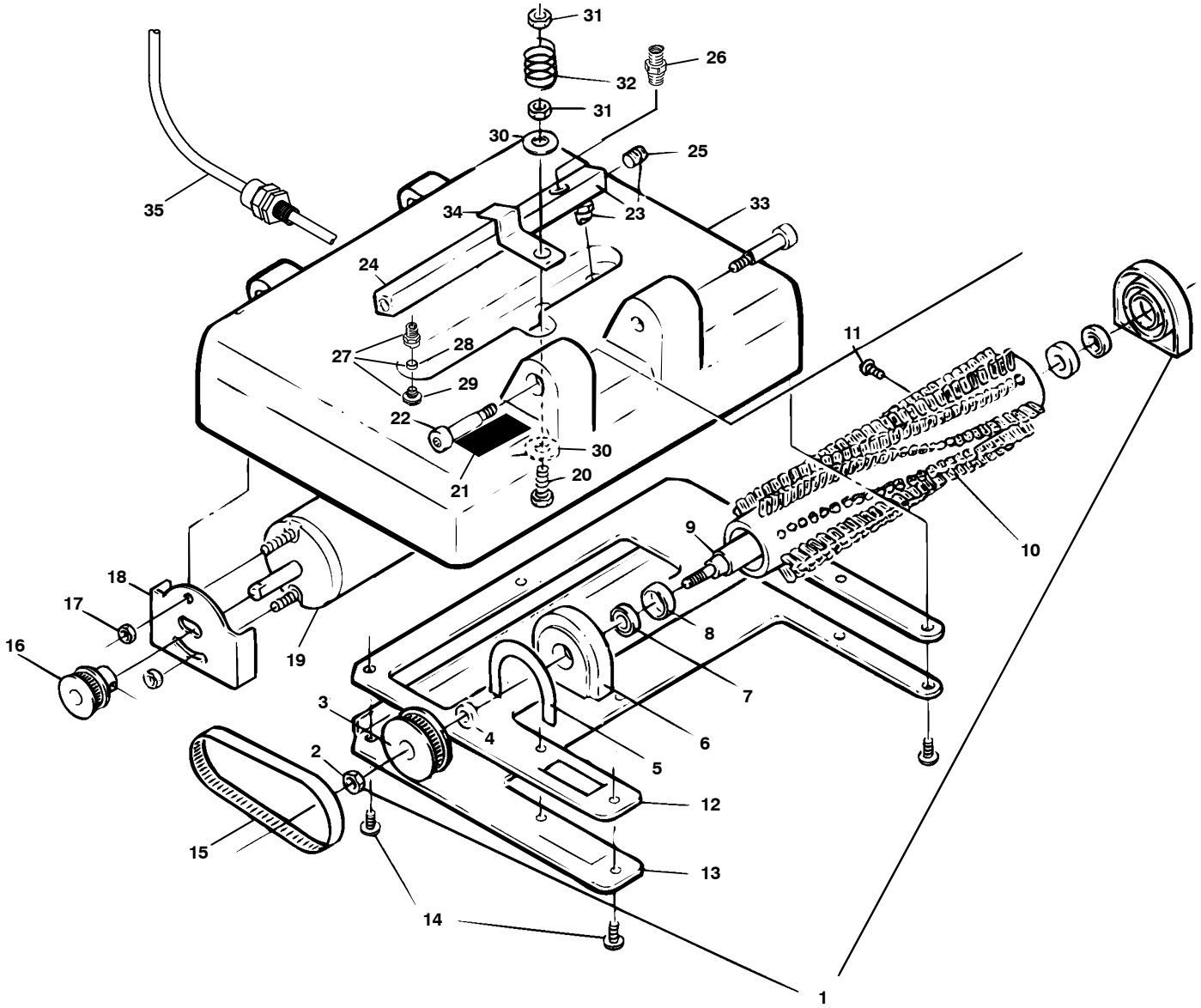
REF	PART #	DESCRIPTION	QTY.
1	613481	HOSE, PVC, BRD, 0.38ID 0.62OD 11.0L, GRAY	1
	613508	HOSE, PVC, CLR, 0.75ID 1.00OD 9.7L (HOSE GUARD)	1
2	54333	CLAMP, HOSE, WORMDRIVE 0.31-0.88D	3
3	150516	HOSE BARB, BRASS 1/4 MPT X 3/8	2
4	150709	FITTING, BRS TEE PM04/PF04/PF04	1
5	210033	●VALVE, SOLENOID, 120 VOLT, 60HZ	1
6	02938	WASHER, LOCK, INT, 08	2
7	140801	SCREW, 8-32 X 3/8	2
8	606162	HOSE, RBR, DBL, 0.50ID 0.75OD, 26.0L, RED	1
	613507	HOSE, PVC, CLR, 1.00ID 1.25OD 24.7L (HOSE GUARD)	1
9	630369	CLAMP, HOSE, WORMDRIVE, 0.50-1.10D .56W	2
10	150517	HOSE BARB, BRASS, 1/4MPTX1/2	2
11	27048	FITTING, BRS, E90, PM04/PF04	2
12	230509	●SHIELD, SOLENOID	1
13	613430	HOSE, PVC, BRD, 0.25ID 0.50OD 7.4L, GRAY	1
	614401	HOSE, PVC, CLR, 0.50ID 0.75OD 9.7L (HOSE GUARD)	1
14	140325	CLAMP, EAR 1/4	2
15	150515	HOSE BARB, 1/4 MPT X 1/4 H	1
16	150526	HOSE BARB, BRASS 1/8 NPT X 1/4	1
17	150616	ADAPTER, BRASS 1/8 X 1/4, 37° TUBE	1
18	19066	WASHER, FLAT, #10	2
19	140519	NUT, KEP 10-24	2
20	230508	●SHIELD, PUMP	1
21	150412	ELBOW, 90° NYL 3/8 MPT X 3/8	2
22	180103	●PUMP, SOLTN, 120VAC 100PSI 06PF/06PF	1
23	613486	HOSE, PVC, BRD, 0.38ID 0.62OD 22.5L, GRAY	1
24	140301	CLAMP, PINCH	5

REF	PART #	DESCRIPTION	QTY.
25	180628	●SCREEN, SOLUTION TANK	2
26	150403	ELBOW, 45°	2
27	150415	ELBOW, 90° NYL 1/4 MPT X 3/8	2
28	613474	HOSE, PVC, BRD, 0.38ID 0.62OD 3.0L, GRAY	1
29	160310	TEE, 3/8 HOSE BARB, NYLON	1
30	613472	HOSE, PVC, BRD, 0.38ID 0.62OD 2.2L, GRAY	1
31	150615	NIPPLE, BRASS 1/4" CLOSE	1
32	140029	WASHER, 9/16 INT SS	1
33	150401	ELBOW, 90° , 1/4FPTX1/4FPT	1
34	140063	WASHER, FLAT, 0.51B 1.25D .31, NYL	2
35	103019	●CAP, HUB	2
36	1038395	●WHEEL, 10.0D 1.75W, WHITE W/ GRAY TREAD	2
37	230301.BK	CHASSIS, HINGED, BLACK	1
38	140000	WASHER, FLAT 0.28B 0.62D .04	6
39	140016	WASHER, LOCK 0.25 SS	6
40	01696	SCREW, HEX .25-20 X 0.50	6
41	140196	SCREW, TRS, 10-24 X 1.0 PHL	1
42	140519	NUT, KEP 10-24	4
43	140804	SCREW, 10-24 X 1	2
44	140914	SPACER, NYLON .375IDX.5X.25	2
45	140898	SCREW, 3/8-16 X 3/4	2
46	140034	WASHER, .5 FLAT USS BLK	2
47	150933	●PLUG, QCK CPLR SER. 60 FPT	1
48	130161	PLUG, DOME .875D, BLACK	1
49	140554	SCREW, HEX 1/4-20 X 3/4	2
50	140010	WASHER, FLAT 1/4" SAE	2
51	180131	GROMMET, RUBBER	2
52	102520	TUFCOTE, EMBOSSED FOAM 1/2" (RT SIDE)	1
53	102522	TUFCOTE, EMBOSSED FOAM 1/2" (BACK SIDE)	1
54	102521	TUFCOTE, EMBOSSED FOAM 1/2" (LT SIDE)	1

- RECOMMENDED STOCK ITEM / PIEZAS RECOMENDADAS EN ALMACÉN / ÉLÉMENTS DE STOCK RECOMMANDÉS

PARTS LIST - LISTA DE PIEZAS - LISTE DES PIÈCES

BASE GROUP - GROUPE BASE - GRUPO BASE



PARTS LIST - LISTA DE PIEZAS - LISTE DES PIÈCES

BASE GROUP - GROUPE BASE - GRUPO BASE

REF	PART #	DESCRIPTION	QTY.
▽ 1	700212	●BRUSH ASM, 16" COMPLETE	1
▲ 2	140548	NUT, FINJAM 5/16	1
▲ 3	230505	PULLEY, BRUSH W/ SCREW	1
▲ 4	230363	SPACER, BRUSH, .625OD X .328ID X .125	1
▲ 5	100005	●GASKET, BEARING BLOCK	1
▲ 6	230261	BLOCK, BEARING	2
▲ 7	140125	●BEARING, BRUSH	2
▲ 8	100049	●SEAL, BRUSH BEARING	2
▲ 9	230257	SHAFT, BRUSH, (16")	1
▲ 10	240004	●BRUSH, CYLINDER, (16")	1
▲ 11	24672	SCREW, HEX, .25-20 X 0.75, SS	4
12	100006	GASKET, BASE PLATE	1
13	611917	PLATE, BASE, 16"	1
14	140197	SCREW, TRS #10-24 X 0.38, PHL	10
15	230507	●BELT, BRUSH DRIVE	1
16	230506	PULLEY, DRIVE	1
17	140518	NUT, KEP 10-32	2
18	230366	PLATE, MOTOR MOUNT	1
19	1019015	●MOTOR, ELE, 115VDC, .125 HP	1

REF	PART #	DESCRIPTION	QTY.
20	140233	SCREW, HEX CAP 3/8-16 X 1-3/4	1
21	120617	LABEL, HEIGHT ADJUSTMENT	1
22	140564	BOLT, SHOULDER 3/8 X 3/4	2
▽ 23	701107	●SPRAYBAR 16" COMPL.	1
▲ 24	230267	SPRAYBAR MANIFOLD, 16"	1
▲ 25	150208	PLUG, BRASS HEX HEAD 1/8	3
▲ 26	150616	FITTING, 1/8 NPT X 1/4	1
▲▽ 27	201010	●NOZZLE, 1/8" BRS, NO SCREEN	4
▲ 28	201015	●SEAL, SPRAY NOZZLE (201010)	4
▲ 29	201012	●FITTING, BRS TIP, 8002 (201010)	4
30	140028	WASHER, FLAT, 0.42B 1.00D .05	2
31	59156	NUT, HEX, LOCK, .38-16 NL, SS	2
32	140407	SPRING, .845 OD	1
33	607864	BASE, 16.0, RM-TL, TRIMMED [P BRUSH] (TEAL)	1
	1028576	BASE, BRUSH, 16.0, RM-CPHG, TRIMMED (GRAY)	1
34	230264.BK	CLAMP, SPRAYBAR MANIFOLD	1
35	130662	CORD, 18/3X24", BLACK SJTO	1

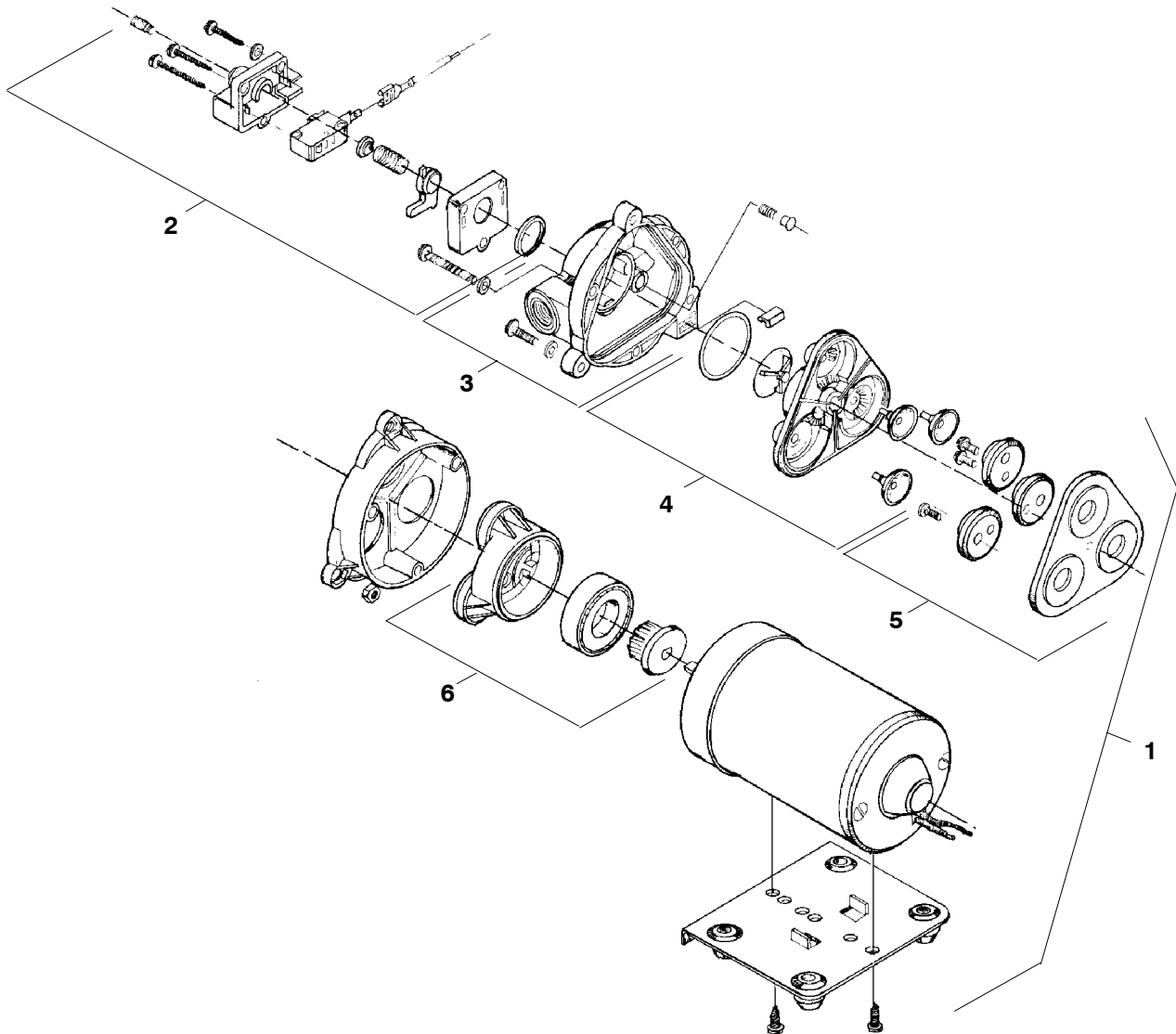
▽ ASSEMBLY / CONJUNTO / ENSEMBLE

▲ INCLUDED IN ASSEMBLY / INCLUIDO A CONJUNTA / Y COMPRIS EN ENSEMBLE

● RECOMMENDED STOCK ITEM / PIEZAS RECOMENDADAS EN ALMACÉN / ÉLÉMENTS DE STOCK RECOMMANDÉS

PARTS LIST - LISTA DE PIEZAS - LISTE DES PIÈCES

PUMP BREAKDOWN / CLASIFICACIÓN DE LA BOMBA / ENSEMBLE DE LA BROSSE

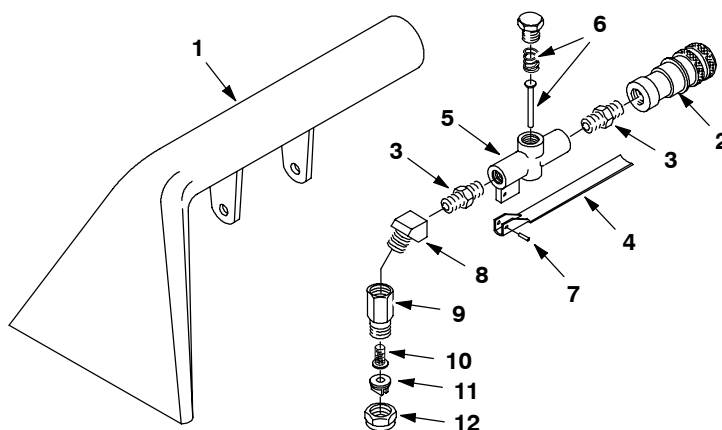


REF	PART #	DESCRIPTION	QTY.
▽ 1	180103	●PUMP, 100 PSI 120V (COMPLETE)	1
▲ 2	190129	●KIT, PUMP PRESSURE SWITCH	1
	190172	●KIT, PUMP PRS SWITCH (VITON)	1
	190134	●KIT, PUMP DIAPHRAGM ONLY	1
▲ 3	190128	●KIT, PUMP UPPER HOUSING	1
	190124	●KIT, PUMP CHECK VALVE ONLY	1

REF	PART #	DESCRIPTION	QTY.
▲ 4	190171	●KIT, PUMP VALVE (VITON)	1
▲ 5	190131	●KIT, PUMP SERVICE	1
▲ 6	190130	●KIT, PUMP LOWER HOUSING	1

- ▽ ASSEMBLY / CONJUNTO / ENSEMBLE
- ▲ INCLUDED IN ASSEMBLY / INCLUIDO A CONJUNTA / Y COMPRIS EN ENSEMBLE
- RECOMMENDED STOCK ITEM / PIEZAS RECOMENDADAS EN ALMACÉN / ELÉMENTS DE STOCK RECOMMANDÉS

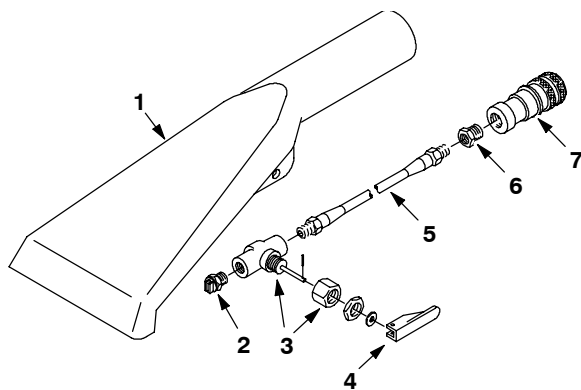
HAND TOOL, 5 in / 127 mm / HERRAMIENTA MANUAL / OUTIL A MAIN



REF	PART #	DESCRIPTION	QTY.	
▽	200505	●ASM., HAND TOOL 5" SERIES 60	1	
▲	1	200431.BK	TOOL, HAND BLACK	1
▲	2	150913	FITTING, BRS QDC PF04 SER60	1
▲	3	150606	FITTING, BRS STR PF04 HEX NIP	2
▲	4	200905	LEVER, K-VALVE W/PIN	1
▲	5	210210	●VALVE, FLOW CONTROL 04PF	1
▲	6	190600	KIT, K-VALVE REPAIR	1

REF	PART #	DESCRIPTION	QTY.	
▲	7	140609	PIN, ROLL 0.187D X 0.56L	1
▲	8	150403	FITTING, BRS E45 PF04/PF04	1
▲	9	200992	FITTING, BRS STR PF02 SWIVEL	1
▲	10	200996	FILTER, SCREEN 100MESH	1
▲	11	200965	●FITTING, BRS TIP, 8002 T-JET	1
▲	12	200994	CAP, NOZZLE SPRAY (8002)	1

CREVICE TOOL, 3 in / 76 mm / HERRAMIENTA MANUAL, HENDIDURAS / OUTIL POUR FISSURES



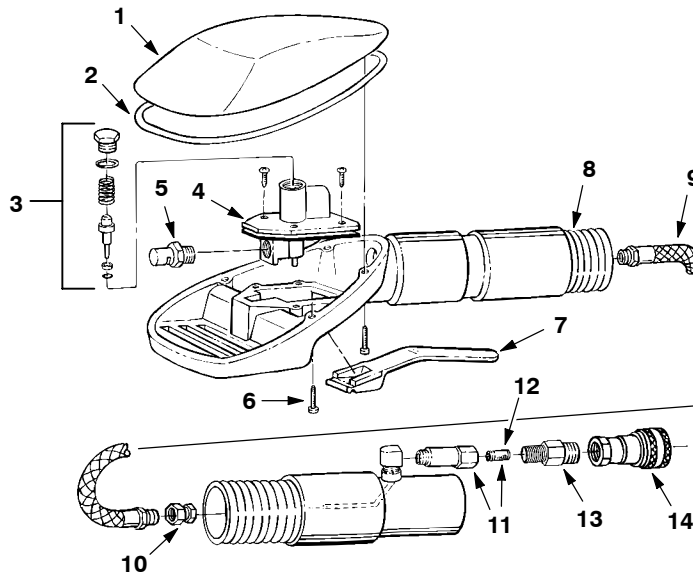
REF	PART #	DESCRIPTION	QTY.	
▽	200517	●TOOL, CREVICE LP/HP SER 60	1	
▲	1	200436.BK	TOOL, CREVICE BLACK	1
▲	2	200975	●FITTING, BRS TIP #5002 1/8V-JET	1
▲	3	210014	●VALVE, TOGGLE 02PF W/NUT	1

REF	PART #	DESCRIPTION	QTY.	
▲	4	210020	POSITIONER, VALVE HANDLE	1
▲	5	160106	HOSE, SOLUTION CREVICE TOOL	1
▲	6	150100	FITTING, BRS STR PF04/PF02	1
▲	7	150913	FITTING, BRS QDC PF04 SER 60	1

- ▽ ASSEMBLY / CONJUNTO / ENSEMBLE
- ▲ INCLUDED IN ASSEMBLY / INCLUIDO A CONJUNTA / Y COMPRIS EN ENSEMBLE
- RECOMMENDED STOCK ITEM / PIEZAS RECOMENDADAS EN ALMACÉN / ÉLÉMENTS DE STOCK RECOMMANDÉS

OPTIONS - OPCIONES - ÉQUIPEMENT AU CHOIX

HAND TOOL, UPHOLSTERY LOW PRESSURE / HERRAMIENTA MANUAL, TAPICERIA BAJA PRESION / OUTIL À MAIN À BASSE PRESSION POUR TISSUS D'AMEUBLEMENT



REF	PART #	DESCRIPTION	QTY.
▽	200540	●TOOL, UPHOLSTERY LP SER 60	1
▲ 1	200845	COVER, UPHOLSTERY TOOL	1
▲ 2	200843	GASKET, COVER	1
▲ 3	190631	●KIT, SERVICE LP UPHOLSTERY	1
▲ 4	210226	●VALVE, WATER/SOL 120VAC LP	1
▲ 5	200991	●FITTING, SS TIP 1/8K-JET	1
▲ 6	200838	SCREW, #06-32 X 0.75	4
▲ 7	200840	TRIGGER, UPHOLSTERY TOOL	1

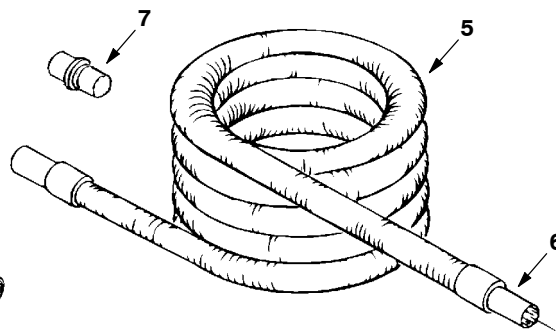
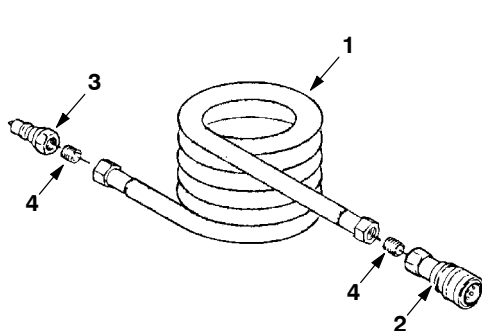
REF	PART #	DESCRIPTION	QTY.
▲ 8	200844	●HOSE, VAC UPHOLSTERY TOOL W/O CUFFS	1
▲ 9	200837	●HOSE, UPHOLSTERY TOOL	1
▲ 10	200848	FITTING, BRASS (3 PCS)	1
▲ 11	200842	FILTER, INLINE COMPLETE	1
▲ 12	200841	SCREEN ONLY, INLINE FILTER	1
▲ 13	150606	FITTING, BRS STR PF04 HEX NIP	1
▲ 14	150913	●FITTING , BRS QDC PF04 SER 60	1

▽ ASSEMBLY / CONJUNTO / ENSEMBLE

▲ INCLUDED IN ASSEMBLY / INCLUIDO A CONJUNTA / Y COMPRIS EN ENSEMBLE

● RECOMMENDED STOCK ITEM / PIEZAS RECOMENDADAS EN ALMACÉN / ÉLÉMENTS DE STOCK RECOMMANDÉS

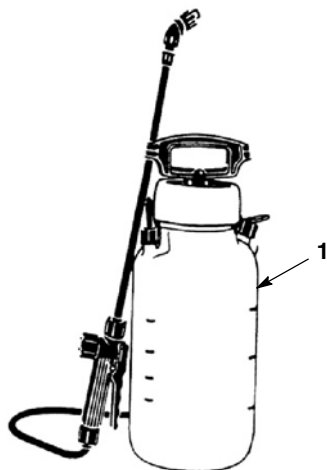
SOLUTION AND VACUUM HOSES GROUP / MANGUERAS DE DISOLUCIÓN Y ASPIRACIÓN / TUYAUX DE SOLUTION ET D'EXTRACTION



REF	PART #	DESCRIPTION	QTY.
∇ 1	160185	HOSE, SOLUTION 4.6M (15')	1
	610792	HOSE, SOLUTION 7.6M (25')	1
	160192	HOSE, SOLUTION 15.2M (50')	1
▲ 2	150913	●FITTING, BRS QDC PF04 SER 60	1
▲ 3	150933	FITTING, BRS QDC PM04 SER 60	1
▲ 4	150615	FITTING, BRS STR PM04 CLOSE	2

REF	PART #	DESCRIPTION	QTY.
∇ 5	160400	HOSE, VACUUM 4.6M (15')	1
	160401	HOSE, VACUUM 7.6M (25')	1
	160402	HOSE, VACUUM 15.2M (50')	1
▲ 6	160430	●CUFF, HOSE 1.5 X 1.5 BLACK	2
7	12694	●CONNECTOR, VAC HOSE 38MM (1.5IN)	1
N/S	220040	●BAG, HOSE NYLON MESH W/DRAWSTRING	1

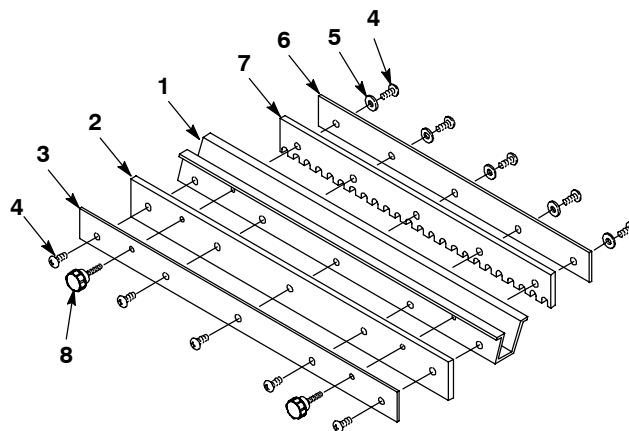
PUMP-UP CARPET SPRAYER



REF	PART #	DESCRIPTION	QTY.
1	605848	●SPRAYER 2GAL PUMP-UP HEAVY DUTY	1

- ∇ ASSEMBLY / CONJUNTO / ENSEMBLE
- ▲ INCLUDED IN ASSEMBLY / INCLUIDO A CONJUNTA / Y COMPRIS EN ENSEMBLE
- RECOMMENDED STOCK ITEM / PIEZAS RECOMENDADAS EN ALMACÉN / ÉLÉMENTS DE STOCK RECOMMANDÉS

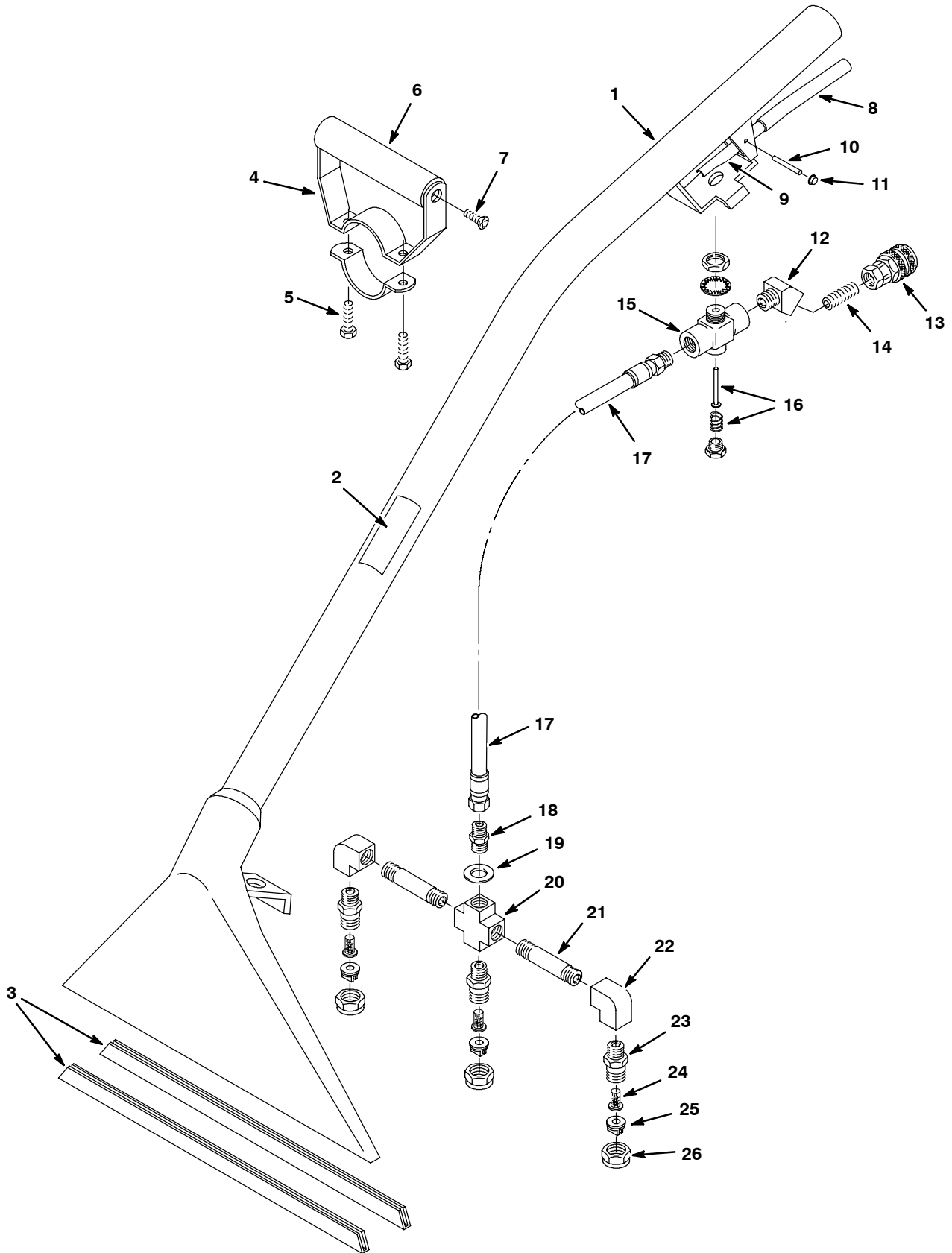
HARD FLOOR SQUEEGEE ASSEMBLY



REF	PART #	DESCRIPTION	QTY.
∇	200170	●SQUEEGEE ASSY, COMPLETE	1
▲ 1	240056.BK	CHANNEL 15" SQUEEGEE	1
▲ 2	240059	●BLADE, SQGE, 15" GUM RUBBER	1
▲ 3	240054.BK	PLATE NUT 15" SQUEEGEE	1
▲ 4	140887	SCREW, PAN, #10-24 X 0.38, PHL	10
▲ 5	140011	WASHER, FLAT, 0.21B 0.45D .03	5
▲ 6	240055.BK	PLATE NUT 13" SQUEEGEE	1
▲ 7	240060	●BLADE, SQUE, 13" URETHANE	1
▲ 8	240217	●KNOB, RND, .25-20 BLK	2

OPTIONS - OPCIONES - ÉQUIPEMENT AU CHOIX

FLOOR TOOL, LOW PRESSURE 13 in / 330 mm / HERRAMIENTA DE PISO, BAJA PRESION /
OUTIL DE SOL À BASSE PRESSION



OPTIONS - OPCIONES - ÉQUIPEMENT AU CHOIX

FLOOR TOOL, LOW PRESSURE 13 in / 330 mm / HERRAMIENTA DE PISO, BAJA PRESION / OUTIL DE SOL À BASSE PRESSION

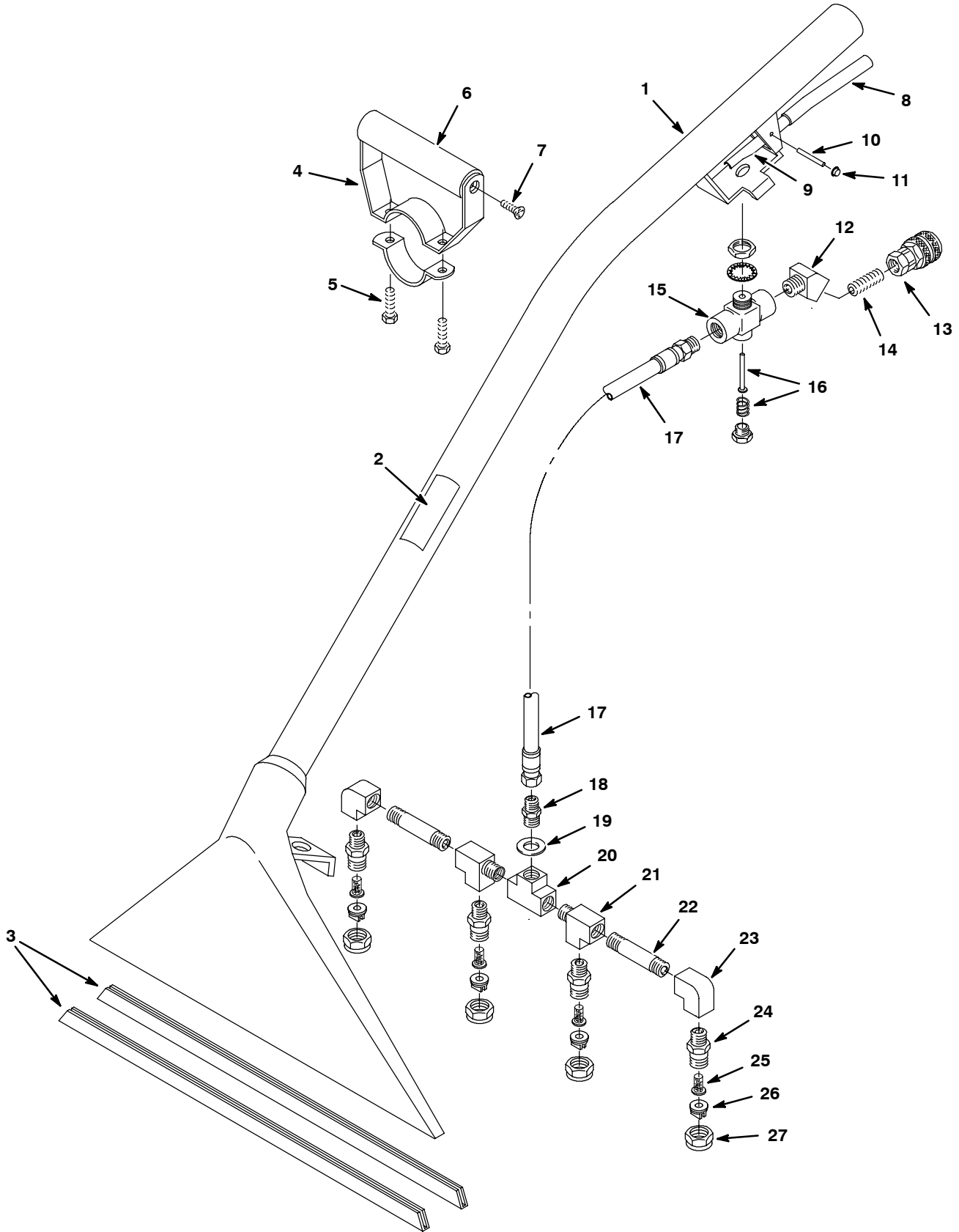
REF	PART #	DESCRIPTION	QTY.
▽	600048	●TOOL, 330MM (13 IN) FLOOR LP SER 60	1
▲ 1	200403.BK	TOOL, FLOOR BLACK	1
▲ 2	120846	DECAL, LOW PRESSURE TOOL	1
▲ 3	200939	●SHOE, 330MM (13 IN) FLR TOOL	2
▲▽ 4	200927AM	●GRIP, HAND ADJ. COMPLETE	1
▲ 5	01697	SCREW, HEX .25-20 X 0.62	2
▲ 6	200912	●GRIP, HANDLE FOAM	1
▲ 7	140834	SCREW, FLT .25-20 X 0.62 PHL	2
▲ 8	200809	SLEEVE, HANDLE FLOOR TOOL	1
▲ 9	200902	HANDLE, IMPERIAL VALVE	1
▲ 10	140605	PIN, HANDLE IMPERIAL	1
▲ 11	140520	NUT, 1/4 PUSH BLK	2
▲ 12	150403	FITTING, BRS E45 PM04/PF04	1
▲ 13	150913	●FITTING, BRS QDC PF04 SER 60	1

REF	PART #	DESCRIPTION	QTY.
▲ 14	150615	FITTING, BRS STR PM04 CLOSE	1
▲▽ 15	210150	●VALVE, FLOW CONTROL PF04	1
▲ 16	190603	●KIT, REPAIR IMPERIAL	1
▲ 17	160170	WAND, HOSE ASSEMBLY 46"	1
▲ 18	150606	FITTING, BRS STR PM04 HEX NIP	1
▲ 19	140058	WASHER, .54B X .88D X .06 WAND	1
▲▽	700062	ASM., SPRAYBAR WO/TIPS	1
▲ 20	150700	FITTING, BRS TEE PF04 CROSS	1
▲ 21	150600	FITTING, 1/4MX2" NIPPLE BRS	2
▲ 22	150401	FITTING, BRS E90 PF04/PF04	2
▲ 23	200993	SPRAY BODY, 1/4" MALE BRASS	3
▲ 24	200996	●FILTER, SCREEN 100 MESH	3
▲ 25	200964	●FITTING, TIP 11003 T-JET BRS	3
▲ 26	200994	●CAP, NOZZLE SPRAY (8002)	3

- ▽ ASSEMBLY / CONJUNTO / ENSEMBLE
- ▲ INCLUDED IN ASSEMBLY / INCLUIDO A CONJUNTA / Y COMPRIS EN ENSEMBLE
- RECOMMENDED STOCK ITEM / PIEZAS RECOMENDADAS EN ALMACÉN / ÉLÉMENTS DE STOCK RECOMMANDÉS

OPTIONS - OPCIONES - ÉQUIPEMENT AU CHOIX

FLOOR TOOL, LOW PRESSURE 16 in / 406 mm / HERRAMIENTA DE PISO, BAJA PRESION /
OUTIL DE SOL À BASSE PRESSION



OPTIONS - OPCIONES - ÉQUIPEMENT AU CHOIX

FLOOR TOOL, LOW PRESSURE 16 in / 406 mm / HERRAMIENTA DE PISO, BAJA PRESION / OUTIL DE SOL À BASSE PRESSION

REF	PART #	DESCRIPTION	QTY.
▽	200503	●TOOL, 406MM (16 IN) FLOOR LP SER 60	1
▲ 1	200411.BK	TOOL, FLOOR 406MM (16 IN)	1
▲ 2	120846	DECAL, LOW PRESSURE TOOL	1
▲ 3	200956	●SHOE, 406MM (16 IN) FLR TOOL	2
▲▽ 4	200927AM	●GRIP, HAND ADJ. COMPLETE	1
▲ 5	01697	SCREW, HEX .25-20 X 0.62	2
▲ 6	200912	●GRIP, HANDLE FOAM	1
▲ 7	140834	SCREW, FLT .25-20 X 0.62 PHL	2
▲ 8	200809	SLEEVE, HANDLE FLOOR TOOL	1
▲ 9	200902	HANDLE, IMPERIAL VALVE	1
▲ 10	140605	PIN, HANDLE IMPERIAL	1
▲ 11	140520	NUT, 1/4 PUSH BLK	2
▲ 12	150403	FITTING, BRS E45 PM04/PF04	1
▲ 13	150913	●FITTING, BRS QDC PF04 SER 60	1
▲ 14	150615	FITTING, BRS STR PM04 CLOSE	1

REF	PART #	DESCRIPTION	QTY.
▲▽ 15	210150	●VALVE, FLOW CONTROL PF04	1
▲ 16	190603	●KIT, REPAIR IMPERIAL	1
▲ 17	160170	WAND, HOSE ASSEMBLY 46"	1
▲ 18	150606	FITTING, BRS STR PM04 HEX NIP	1
▲ 19	140058	WASHER, .54B X .88D X .06 WAND	1
▲▽	700656	ASM., SPRAYBAR 16" WO/TIPS	1
▲ 20	150706	FITTING, BRS TEE PF04	1
▲ 21	150709	FITTING, BRS TEE PM04/PF04/PF04	2
▲ 22	150600	FITTING, 1/4MX2" NIPPLE BRS	2
▲ 23	150401	FITTING, BRS E90 PF04/PF04	2
▲ 24	200993	SPRAY BODY, 1/4" MALE BRASS	4
▲ 26	200964	●FITTING, TIP 11003 T-JET BRS	4
▲ 27	200994	CAP, NOZZLE SPRAY (8002)	4

- ▽ ASSEMBLY / CONJUNTO / ENSEMBLE
- ▲ INCLUDED IN ASSEMBLY / INCLUIDO A CONJUNTA / Y COMPRIS EN ENSEMBLE
- RECOMMENDED STOCK ITEM / PIEZAS RECOMENDADAS EN ALMACÉN / ÉLÉMENTS DE STOCK RECOMMANDÉS