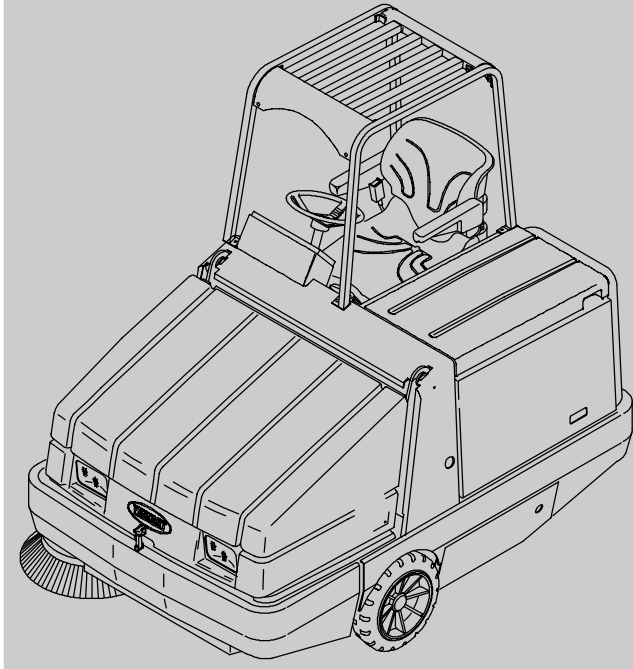
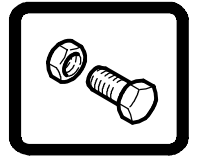




6650

(Gas/LPG)

Sweeper Parts Manual



North America / International

www.tennantco.com

330910
Rev. 05 (03-2008)



When ordering replacement parts, use the illustrated parts list section in this manual. Before ordering parts or supplies, be sure to have your machine model number and serial number available. Only use TENNANT Company supplied or equivalent parts. Parts and supplies may be ordered online, by phone, or mail from any authorized parts and service center, distributor or from any of the manufacturer's subsidiaries.

This machine will provide excellent service. However, the best results will be obtained at minimum costs if:

- The machine is operated with reasonable care.
- The machine is maintained regularly - per the machine maintenance instructions provided.
- The machine is maintained with manufacturer supplied or equivalent parts.

MACHINE DATA

Please fill out at time of installation for future reference.

Model No. - _____

Serial No. - _____

Machine Options - _____

Sales Rep. - _____

Sales Rep. phone no. - _____

Customer Number - _____

Installation Date - _____

Tennant Company

PO Box 1452

Minneapolis, MN 55440

Phone: (800) 553-8033 or (763) 513-2850

www.tennantco.com

Thermo-Sentry, II-Speed, Perma-Filter, 1 Step, Duramer, Vario Sweeping Brush, and VCS are US registered trademarks of Tennant Company.

Specifications and parts are subject to change without notice.

Copyright © 2003 - 2008 TENNANT Company, Printed in U.S.A.

HOW TO USE THIS MANUAL

This section on *HOW TO USE THIS MANUAL* will tell you how to:

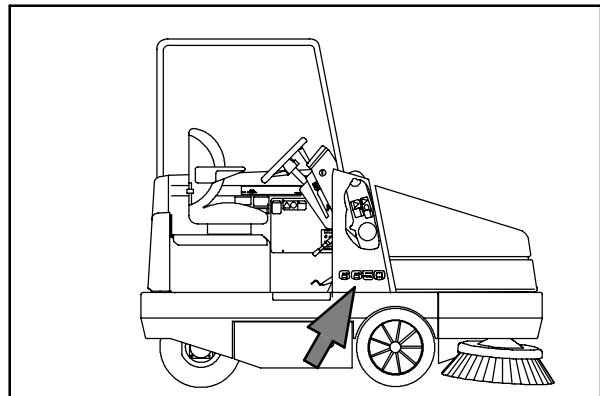
- Find important machine information for ordering correct repair parts.
- Find TENNANT part numbers.
- Order TENNANT parts and supplies.

IMPORTANT INFORMATION

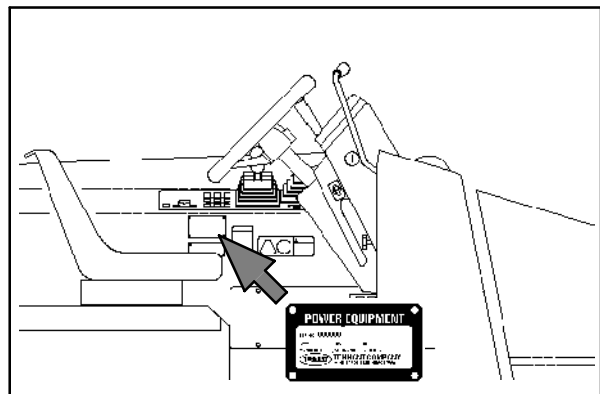
When placing an order for parts, the machine model and machine serial number are important. Refer to the *MACHINE DATA* box which is filled out during the installation of your machine. The *MACHINE DATA* box is located on the inside of the front cover of this manual.

MACHINE DATA	
<i>Please fill out at time of installation for future reference.</i>	
Machine Model Number -	6650
Machine Serial Number -	_____
Machine Options -	_____
TENNANT Representative/phone no. -	_____
Customer ID Number -	_____
Date of Installation -	_____
Manual Number -	330910
Revision:	00
Published:	4-03

The model number of your machine is on the side of the machine.



The serial number of your machine is printed on the machine data plate located as shown.



HOW TO USE THIS MANUAL

FINDING A TENNANT PART NUMBER

This manual contains the following sections:

- HOW TO USE THIS MANUAL
- STANDARD PARTS
- OPTIONS
- BREAKDOWNS
- CROSS REFERENCE

The STANDARD PARTS section lists repair parts for standard machines. They are grouped in this general order:

- General wear parts.
- Machine frame and related parts.
- Machine propelling system.
- Scrubbing components.
- Electrical parts.

The OPTION section lists repair parts of options.

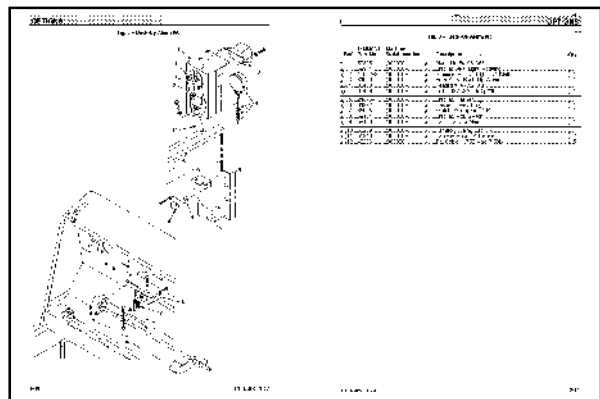
The BREAKDOWN section lists available repair parts of major components.

All sections in this manual consist of parts illustrations and corresponding parts lists.

The parts illustrations are numbered with **Ref** numbers which refer to corresponding parts lists.

The parts lists include a number of columns of information:

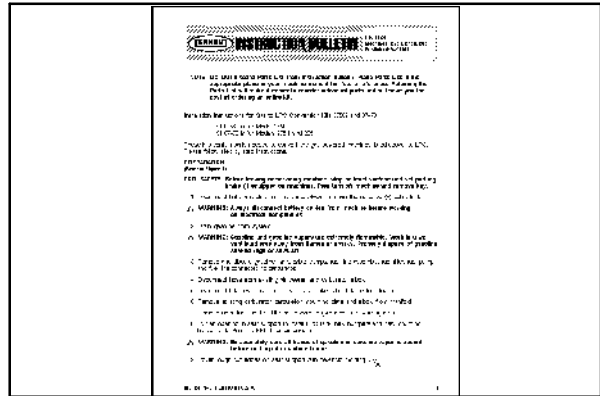
- **Ref** - column refers to the reference number on the parts illustration.
 ▽ - indicates the part is an assembly.
 ▲ - indicates the part is included in the assembly listed just before it.
- **Part No.** - column lists the TENNANT part number for the part.
- **Serial Number** - column indicates the set of machines the part number is applicable to. Serial numbers change when the machine design has been modified. The most current design of the machine is shown in the main illustration, older designs are boxed in a corner of the illustration.
- **Description** - column is a brief description of the part.
- **Qty.** - column lists the quantity of that part used in that area of the machine.



Ref.	TENNANT Part No.	Machine Serial number	Description	Qty.
▽	59335	QC0000-	Alarm Kit, Bu Alv 355L	1
▲ 1	59944	QC0000-	Bracket W/d. Jght, Rotatng	1
▲ 2	10632-9	QC0000-	Grommet,Rctr,0.66ld,For .13Matl	1
▲ 3	61920	QC0000-	Horn Ass'y, Back-Up Alarm	1
▲ 4	38438	QC0000-	Headlight Ass'y,21CG	1
▲ 4	38439	QC0000-	Flwr, 12V, 55W- 1RC#1004	1
▲ 5	24676-	QJUUUU-	Bracket, Flasher	1
▲ 6	31922	QJUUUU-	Flasher, Heavy Duty	1
▲ 7	359J6	QJUUUU-	Switch, Waterproof, 11A	1
▲ 8	59154	QC0000-	Bracket, Mtg. Switch	1
▲ 9	59153	QC0000-	Carr. BackUp Alarm	1
▲ 10	60239	QC0000-	Harness, Alarm, BackUp	1
▲ 11	55246	QC0000-	Cabletie Mount, Adhesive	2
▲ 12	49256	QC0000-	Tie, Cable .75D Max 7.60Lg	5

NOTE: If a service kit is installed on your machine, be sure to keep the **INSTRUCTION BULLETIN** which came with the kit. It contains repair parts numbers needed for ordering future parts.

NOTE: Fasteners used in this machine may be metric or non-metric. Take care when replacing hardware to replace with same thread size.



PLACING AN ORDER

Orders may be placed by phone, fax, or by mail. Phone orders may need written confirmation. Follow the steps below to insure prompt delivery:

1. Identify the model number of your machine.
2. Identify the serial number of your machine.
3. Find the part number of the part you need. Do not order by page number or reference number. If you are not able to find the part number, call your TENNANT representative for help or send the old part as a sample.
4. Determine the quantity of the part you need.
5. Provide the following company information:
 - Company name
 - Customer ID Number
 - Shipping address
 - Billing address
 - First and last name of person ordering parts
 - Telephone number
 - Purchase order number
6. Provide definitive shipping instructions.

HOW TO USE THIS MANUAL

Any claim for loss or damage to a shipment in transit should be filed promptly with the transportation company making the delivery. Shipments will be complete unless the packing list or order acknowledgement indicates items back ordered.

If parts received are suspected to be incorrect or defective, please contact the TENNANT representative from whom you ordered the part. They will give authorization for return and/or handle replacement shipments when required.

SECTION 2

Contents	Page	Contents	Page
Fig. 1 - General Recommended Maintenance Items	2-4	Fig. 35 - Engine Fuel Tank Group, Gasoline (010000-014999)	2-76
Fig. 2 - Brushes, Replacement	2-6	Fig. 36 - Engine Fuel Tank Group, Gasoline (015000-)	2-78
Fig. 3 - Main Frame Group	2-8	Fig. 37 - Engine Fuel Tank Group, LPG (000000-009999)	2-80
Fig. 4 - Brush Door Group, Right	2-10	Fig. 38 - Engine Fuel Tank Group, LPG (010000-)	2-82
Fig. 5 - Brush Door Group, Left	2-12	Fig. 39 - Engine Radiator Group (000000-009999)	2-84
Fig. 6 - Seat and Shroud Group	2-14	Fig. 40 - Engine Radiator Group (010000-)	2-86
Fig. 7 - Grille Group, Right	2-16	Fig. 41 - Engine Radiator Overflow Tank Group, Gasoline (010000-)	2-88
Fig. 8 - Grille Group, Left	2-18	Fig. 42 - Engine Radiator Overflow Tank Group, LPG (010000-)	2-90
Fig. 9 - Engine Cover Group	2-20	Fig. 43 - Battery Group, Gasoline	2-91
Fig. 10 - Engine Side Door Group	2-22	Fig. 44 - Battery Group, LPG	2-92
Fig. 11 - Steering and Firewall Group	2-24	Fig. 45 - Wheel Group, Rear Drive	2-94
Fig. 12 - Instrument Panel Assembly	2-26	Fig. 46 - Wheel Assembly, Rear	2-96
Fig. 13 - Side Instrument Panel Group	2-28	Fig. 47 - Wheel and Brakes Group, Front ..	2-98
Fig. 14 - Electrical Group	2-30	Fig. 48 - Brake Lever and Pedal Group ..	2-100
Fig. 15 - Engine Group, Gasoline (000000-009999)	2-32	Fig. 49 - Directional Pedal Group	2-102
Fig. 16 - Engine Group, Gasoline (010000-)	2-34	Fig. 50 - Hydraulic Pump Linkage Group ..	2-104
Fig. 17 - Engine Group, LPG (000000-009999)	2-36	Fig. 51 - Hopper Group (6650 XP)	2-106
Fig. 18 - Engine Group, LPG (010000-)	2-38	Fig. 52 - Hopper Group (6650 XS)	2-108
Fig. 19 - Engine EFI Group, Gasoline (000000-009999)	2-40	Fig. 53 - Hopper Cylinder and Dump Door Group (6650 XP)	2-110
Fig. 20 - Engine EFI Group, Gasoline (010000-014999)	2-42	Fig. 54 - Hopper Cylinder and Dump Door Group (6650 XS)	2-112
Fig. 21 - Engine EFI Group, Gasoline (015000-)	2-44	Fig. 55 - Hopper Hood Group	2-114
Fig. 22 - Engine EFI and Vaporizer Group, LPG (000000-009999 version 1)	2-46	Fig. 56 - Hopper Bumper Group (6650 XP) ..	2-116
Fig. 23 - Engine EFI and Vaporizer Group, LPG (000000-009999 version 2)	2-48	Fig. 57 - Hopper Bumper Group (6650 XS) ..	2-118
Fig. 24 - Engine EFI and Vaporizer Group, LPG (010000-014999)	2-50	Fig. 58 - Hopper Filter Box Group (6650 XP)	2-120
Fig. 25 - Engine EFI and Vaporizer Group, LPG (015000-)	2-54	Fig. 59 - Hopper Filter Box Group (6650 XS)	2-122
Fig. 26 - Engine Air Cleaner Group (000000-009999)	2-58	Fig. 60 - Hopper Lift Arms Group	2-124
Fig. 27 - Engine Air Cleaner Group, Gasoline (010000-)	2-60	Fig. 61 - Side Brush Motor and Pivot Group ..	2-126
Fig. 28 - Engine Air Cleaner Group, LPG (010000-)	2-62	Fig. 62 - Side Brush Lift Group	2-128
Fig. 29 - Engine Alternator and Engine Fan Group (000000-009999)	2-64	Fig. 63 - Main Brush Lift Group	2-130
Fig. 30 - Engine Alternator and Engine Fan Group (010000-)	2-66	Fig. 64 - Main Brush Drive Group	2-132
Fig. 31 - Engine Muffler Group (000000-009999)	2-68	Fig. 65 - Vacuum Fan Group	2-134
Fig. 32 - Engine Muffler Group (010000-014999)	2-70	Fig. 66 - Hydraulic Schematic	2-136
Fig. 33 - Engine Muffler Group (015000-)	2-72	Fig. 67 - Hydraulic Hose Group	2-138
Fig. 34 - Engine Fuel Tank Group, Gasoline (000000-009999)	2-74	Fig. 68 - Hydraulic Reservoir Group	2-140
		Fig. 69 - Hydraulic Cooler Group (000000-009999)	2-142
		Fig. 70 - Hydraulic Cooler Group (010000-)	2-144
		Fig. 71 - Hydraulic Pumps Group	2-146
		Fig. 72 - Hydraulic Control Valve Group ..	2-148
		Fig. 73 - Electrical Schematic (000000-009999)	2-150

STANDARD PARTS

Contents	Page
Fig. 73 - Electrical Schematic (000000-009999)	2-152
Fig. 74 - Electrical Schematic (010000-014999)	2-154
Fig. 75 - Electrical Schematic (015000-)	2-160
Fig. 76 - Electrical Wire Harnesses Group	2-170
Fig. 77 - Label Group	2-182

Fig. 1 - General Recommended Maintenance Items

Ref.	Part No.	Serial Number	Description	Qty.
▽	9000200	(000000-) Kit, Maint, Skirt, Hppr [6600/6650XP]	1
▲	379706	(000000-) Skirt, Lip	1
▲	379705	(000000-) Skirt, Lip	1
▲	379704	(000000-) Strap, Main, Lip	1
▲	379792	(000000-) Bolt, Carriage, M08 X 1.25 X 35	5
▲	01685	(000000-) Washer, Flat, 0.31 Ss	5
▲	08713	(000000-) Nut, Hex, Lock, M 8 X 1.25, NI, Ss	5
▲	1010167	(000000-) Skirt, Hppr, Plstc	1
▲	1010166	(000000-) Skirt, Hppr, Plstc	1
▲	1010165	(000000-) Retainer, Skirt	2
▲	11329	(000000-) Screw, Hex, M 6 X 1.0 X 16, Ss, NI	5
▲	01684	(000000-) Washer, Flat, 0.25 Ss	5
▽	72068	(000000-) Kit, Maint, Seal, [6650XS]	1
▲	59680	(000000-) Skirt, Hppr, Rear	1
▲	59681	(000000-) Skirt, Hppr, Rear	1
▲	55890	(000000-) Retainer, Skirt, Hppr, Rear	1
▲	09010	(000000-) Screw, Hex, M 8 X 1.25 X 25, Ss	5
▲	01685	(000000-) Washer, Flat, 0.31 Ss	5
▲	08713	(000000-) Nut, Hex, Lock, M 8 X 1.25, NI, Ss	5
▲	54089	(000000-) Skirt, Side, Sbdc, Lh	1
▲	54013	(000000-) Retainer, Skirt, Hppr, Side, Rear	1
▲	54014	(000000-) Retainer, Skirt, Hppr, Side, Front	1
▲	12459	(000000-) Screw, Hex, M 6 X 1.0 X 20, Fmg	6
▲	01684	(000000-) Washer, Flat, 0.25 Ss	6
▲	60339	(000000-) Carton, Rsc Kit, 4.5 X 4.5 X 45.0	1
▽	9000203	(000000-) Kit, Maint, Skirt, Door, Hppr [6600/6650]	1
▲	379702	(000000-) Seal, Door, Dump, Side	2
▲	379703	(000000-) Strap, Door, Dump, Side	2
▲	08716	(000000-) Screw, Hex, M 6 X 1.0 X 20, Ss	8
▲	01684	(000000-) Washer, Flat, 0.25 Ss	16
▲	08712	(000000-) Nut, Hex, Lock, M 6 X 1.0, NI, Ss	8
▲	379699	(000000-) Seal, Door, Dump	1
▲	379698	(000000-) Plate, Retainer, Door, Dump	1
▲	379791	(000000-) Bolt, Carriage, M06 X 1.0 X 30	6
▲	01684	(000000-) Washer, Flat, 0.25 Ss	12
▲	08712	(000000-) Nut, Hex, Lock, M 6 X 1.0, NI, Ss	6
▲	60339	(000000-) Carton, Rsc Kit, 4.5 X 4.5 X 45.0	1
▽	9000201	(000000-) Kit, Maint, 400Hr, Gas [6600/6650]	1
▲	372575	(000000-) Sparkplug	4
▲	369746	(000000-) Element, Fltr, Air	1
▲	398279	(000000-) Element, Fltr, Air, Safety	1
▲	371972	(000000-) Filter, Oil	1
▲	371662	(000000-) Filter, Fuel, Gas	1
▲	1008968	(000000-) Element, Fltr, Oil, Hyd	1
▲	23163	(000000-) Cap, Breather, Hyd, 2.2 Ds	1
▲	31613	(000000-) Strainer, Hyd, 25gpm 100mesh Psi	1
▲	371873	(000000-) Belt, V, [6v] 39.0l	1

Fig. 1 - General Recommended Maintenance Items

Ref.	Part No.	Serial Number	Description	Qty.
▽	9000202	(000000-) Kit, Maint, 400Hr, Lpg [6600/6650]	1
▲	372075	(000000-) Sparkplug	4
▲	369746	(000000-) Element, Fltr, Air	1
▲	398279	(000000-) Element, Fltr, Air, Safety	1
▲	371972	(000000-) Element, Fltr, Oil, Spin-On	1
▲	1008968	(000000-) Element, Fltr, Oil, Hyd	1
▲	23163	(000000-) Cap, Breather, Hyd, 2.2 Ds	1
▲	31613	(000000-) Strainer, Hyd, 25gpm 100mesh Psi	1
▲	371873	(000000-) Belt, V, [6v] 39.0l	1
▽	9000852	(025000-) Kit, Maint, 400hr W/O A/C [6600 G] Eng	1
▲	372575	(025000-) Sparkplug [Gm]	4
▲	369746	(025000-) Element, Fltr, Air	1
▲	398279	(025000-) Element, Fltr, Air, Safety	1
▲	371972	(025000-) Element, Fltr, Oil, Eng, Spin-On [Gm]	1
▲	372440	(025000-) Filter, Fuel [Gm 1.6/3.0]	1
▲	1008968	(025000-) Element, Fltr, Oil, Hyd	1
▲	23163	(025000-) Cap, Breather, Hyd, 2.2 Ds	1
▲	31613	(025000-) Strainer, Hyd, 25gpm 100mesh Psi	1
▲	372571	(025000-) Belt, Ribbed, 39.0l	1
▽	9000853	(025000-) Kit, Maint, 400hr W/O A/C [6600lpg] Eng	1
▲	372575	(025000-) Sparkplug [Gm]	4
▲	369746	(025000-) Element, Fltr, Air	1
▲	398279	(025000-) Element, Fltr, Air, Safety	1
▲	371972	(025000-) Element, Fltr, Oil, Eng, Spin-On [Gm]	1
▲	1008968	(025000-) Element, Fltr, Oil, Hyd	1
▲	23163	(025000-) Cap, Breather, Hyd, 2.2 Ds	1
▲	31613	(025000-) Strainer, Hyd, 25gpm 100mesh Psi	1
▲	372571	(025000-) Belt, Ribbed, 39.0l	1
	16411	(000000-) Paint, Airdry, Off-White, 12oz	1
	16412	(000000-) Paint, Airdry, Teal, 12oz, Solid	1
	377540	(000000-) Paint, Airdry, Blk, 12oz	1
	377538	(000000-) Paint, Airdry, Gray, 12oz	1
	377537	(000000-) Paint, Airdry, Iron Gray, 12oz	1

Fig. 2 - Brushes, Replacement

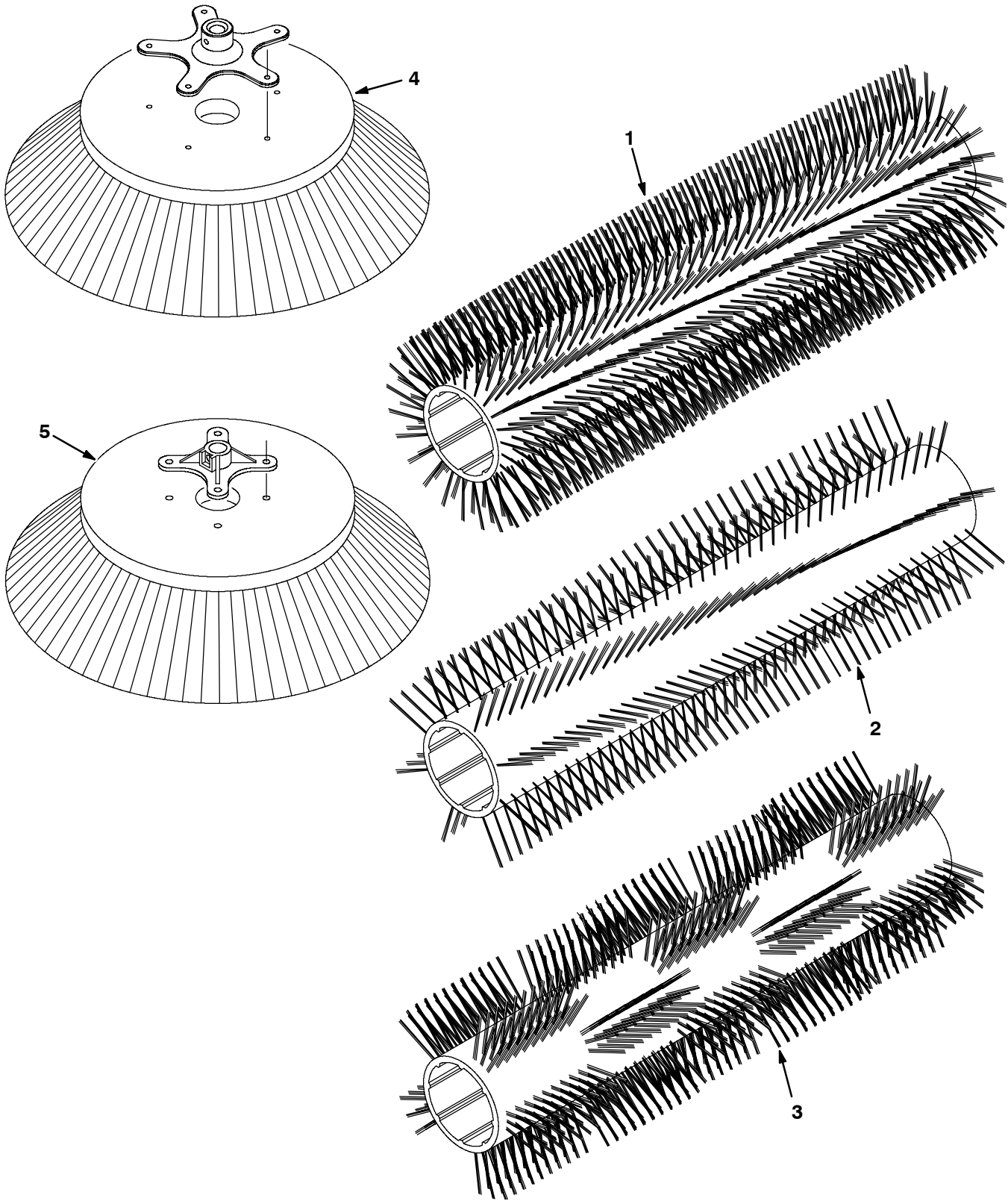


Fig. 2 - Brushes, Replacement

Ref.	Part No.	Serial Number	Description	Qty.
1	54927	(000000-) Brush, Swp, 45l, 24 Single Row, Natural Fiber & Wire	1
1	54922	(000000-) Brush, Swp, 45l, 24 Single Row, Nylon	1
2	54923	(000000-) Brush, Swp, 45l, 8 Double Row, Nylon	1
2	54925	(000000-) Brush, Swp, 45l, 8 Double Row, Polypropylene & Wire	1
2	59440	(000000-) Brush, Swp, 45l, 8 Double Row, Wire	1
2	66019	(000000-) Brush, Swp, 45l, 8 Double Row, Polypropylene	1
2	66018	(000000-) Brush, Swp, 45l, 5 Double Row, Patrol, Nylon	1
2	370008	(000000-) Brush, Swp, 45l, Sand Wedge, Polypropylene	1
3	370009	(000000-) Brush, Swp, 45l, Window , Polypropylene	1
4	51021N	(000000-) Brush, Disk, Swp, 26.0 D, Nylon	1
4	51542	(000000-) Brush, Disk, Swp, 26.0 D, Flat Wire	1
4	70538	(000000-) Brush, Disk, Swp, 26.0 D, Polypropylene	1
5	59431	(000000-) Brush, Disk, Swp, 23.0 D, Polypropylene (Aux. Side Brush Option)	1
5	08013N	(000000-) Brush, Disk, Swp, 23.0 D, Nylon (Aux. Side Brush Option)	1
5	59432	(000000-) Brush, Disk, Swp, 23.0 D, Flat Wire (Aux. Side Brush Option)	1

Fig. 3 - Main Frame Group

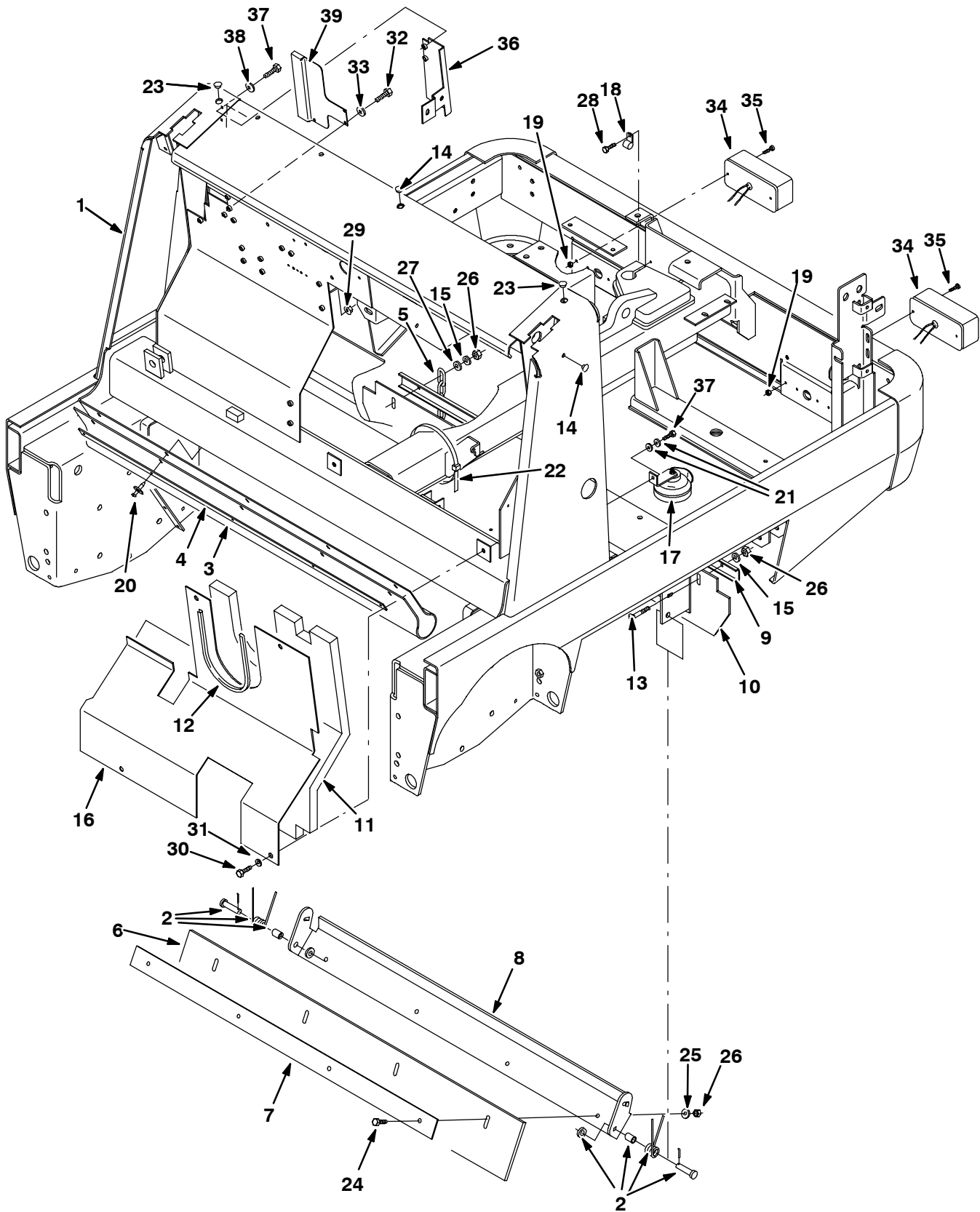


Fig. 3 - Main Frame Group

Ref.	Part No.	Serial Number	Description	Qty.	
1	1007050	(000000-009999)	Frame Wldt, Main [6600/6650]	1	
1	1013913	(010000-)	Frame Wldt, Main [6600/6650]	1	
2	69904	(000000-)	Spring	1	
3	379752	(000000-)	Skirt, Hopper	1	
4	56890	(000000-)	Retainer, Skirt, Hppr, Top	1	
5	09342	(000000-)	Chain, Coil, Str, 210, 06.9l 05 Link	1	
6	54190	(000000-)	Skirt, Deflector	1	
6	374517	(000000-)	Skirt, Recirculation, Turf	1	
7	54184	(000000-)	Retainer, Blade, Deflector	1	
8	54182	(000000-)	Bracket, Flap, Recirculation	1	
9	383161	(000000-)	Channel, Retainer, Seal, Rear	1	
10	383160	(000000-)	Skirt, Seal, Main Brush	1	
11	1008654	(000000-)	Insulation, Acstc, Firewall	1	
12	62595-21	(000000-)	Molding, Trim, Pvc, .08-.11 25.6l	1	
13	69915	(000000-)	Bolt, Carriage, M08 X 1.25 X 40	4	
14	01314	(000000-)	Button, Plug, 0.38h .03-.12 [Black Nyl]	3	
15	01684	(000000-)	Washer, Flat, 0.25 Ss	4	
16	1007310	(000000-)	Panel, Eng	1	
17	369704	(000000-)	Horn, 12vdc, DbA	1	
18	33584	(000000-)	Clamp, Cable, Stl, 0.63d X 0.50w, 1h	2	
19	06549	(000000-)	Nut, Hex, Lock, M 5 X 0.8, NI	4	
20	21246	(000000-)	Rivet, Plstc, .325d X 0.787	5	
21	41141	(000000-)	Washer, Lock, Int-Ext, .31	2	
22	222809	(000000-)	Tie, Cable, Nyl, 29.8l .30w 9.0 Max D	3	
23	57167	(000000-)	Button, Plug, 0.62h .03-.12 [Black Nyl]	2	
24	09011	(000000-)	Screw, Hex, M 8 X 1.25 X 30, Ss	4	
25	01685	(000000-)	Washer, Flat, 0.31 Ss	4	
26	08713	(000000-)	Nut, Hex, Lock, M 8 X 1.25, NI, Ss	8	
27	41142	(000000-)	Washer, Lock, Int-Ext, .38	1	
28	06942	(000000-)	Screw, Hex, M 6 X 1.0 X 16, 8.8	3	
29	07791	(000000-)	Nut, Hex, Flng, M08 X 1.25	1	
30	41342	(000000-)	Screw, Hex, M 8 X 1.25 X 40, 8.8	4	
31	32491	(000000-)	Washer, Flat, 0.31 Std	4	
32	06942	(000000-)	Screw, Hex, M 6 X 1.0 X 16, 8.8	4	
33	32483	(000000-)	Washer, Flat, 0.25 Sae	4	
▽	34	59949	(000000-)	Taillight, 12vdc, 6.6 X 3.1, Rwk 59948	2
▲	45780	(000000-)	Lamp, 12vdc, 0.5a Watt 04cp [#1157]	1	
	35	54093	(000000-)	Screw, Chz, M05 X 0.8 X 60, 4.8	4
	36	1007811	(000000-)	Panel, Sppt, Lever, Side Brush	1
	37	16931	(000000-)	Screw, Hex, M 8 X 1.25 X 20, 8.8	2
	38	01685	(000000-)	Washer, Flat, 0.31 Ss	2
	39	1007625	(000000-)	Plate, Cover	1

Fig. 4 - Brush Door Group, Right

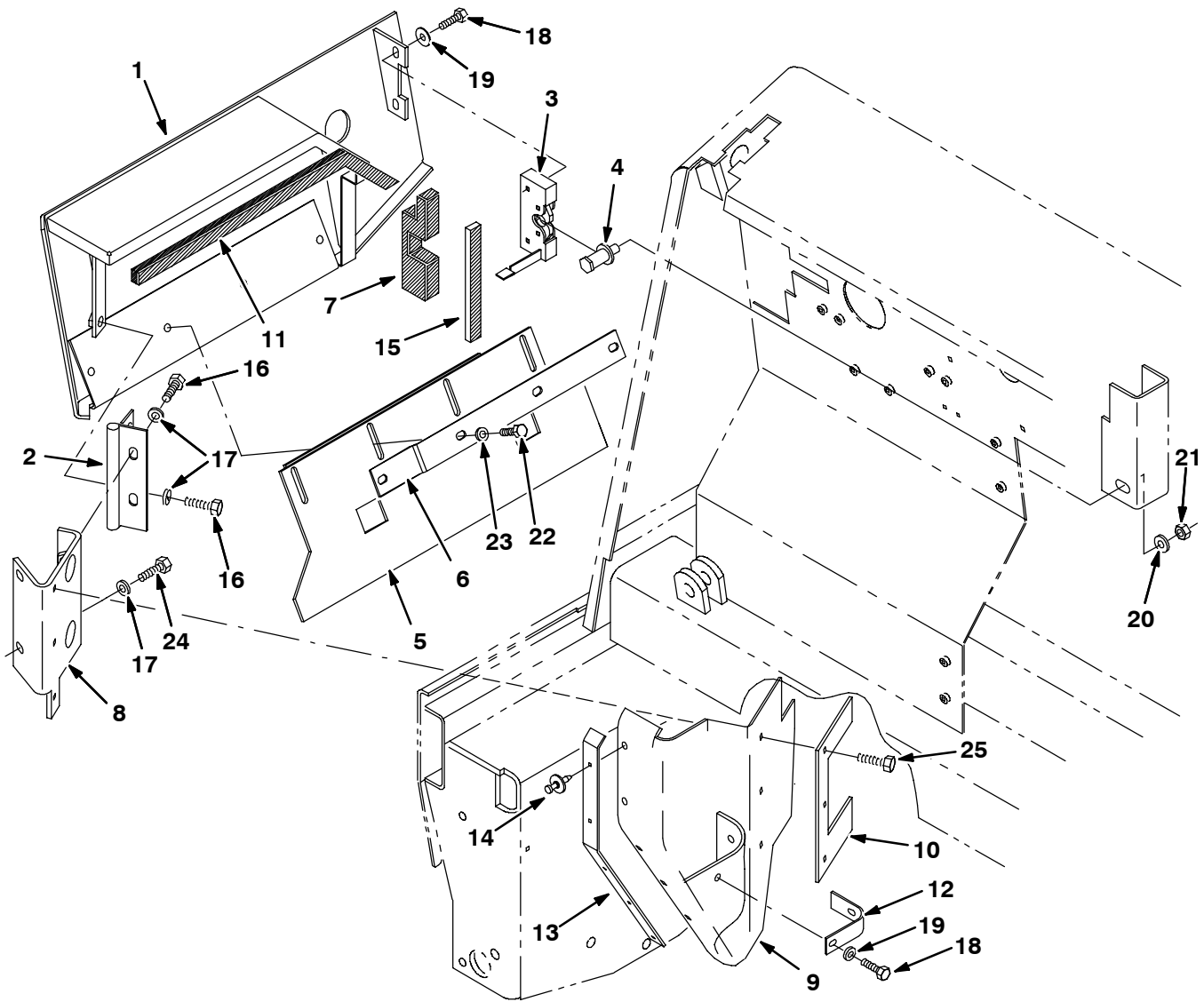


Fig. 4 - Brush Door Group, Right

Ref.	Part No.	Serial Number	Description	Qty.
1	59761	(000000-) Door Wldt, Brush, Rh	1
2	72120	(000000-) Hinge, .38pin .11 3.5w 05.6l 4/H&Slot	1
3	59195	(000000-) Latch, Hook, Rh	1
4	59192	(000000-) Latch, Bolt	1
5	379751	(000000-) Skirt, Brush Door	1
6	379756	(000000-) Strip, Retaining	1
7	59537	(000000-) Seal, Rbr, Open, 1.00th, Door, Brush, Rh	1
8	72118	(000000-) Bracket, Mtg, Hinge, Brush Door, Rh	1
9	379755	(000000-) Skirt, Deflection	1
10	59692	(000000-) Strap	1
11	69931	(000000-) Seal, Rbr, Open, 0.31th, 0.75w 21.0l Adh	1
12	58770	(000000-) Bracket, Angle, .12 2.75 3.17 01.0l	1
13	56914	(000000-) Strap	1
14	72968	(000000-) Rivet, Plstc, .250 X 0.898	5
15	13301	(000000-) Seal, Rbr, Open, 0.31th, 0.75w 07.0l Adh	1
16	09028	(000000-) Screw, Hex, M10 X 1.5 X 25, Ss	4
17	41187	(000000-) Washer, Belleville, .38	6
18	09007	(000000-) Screw, Hex, M 6 X 1.0 X 25, Ss	4
19	01684	(000000-) Washer, Flat, 0.25 Ss	4
20	41619	(000000-) Washer, Flat, 0.50 Ss	1
21	07788	(000000-) Nut, Hex, Std, M12 X 1.75, Ss	1
22	09010	(000000-) Screw, Hex, M 8 X 1.25 X 25, Ss	4
23	01685	(000000-) Washer, Flat, 0.31 Ss	4
24	09291	(000000-) Screw, Hex, M10 X 1.5 X 20, Ss	2
25	76099	(000000-) Screw, Hex, M8 X 1.25 X 25, Fmg	3

Fig. 5 - Brush Door Group, Left

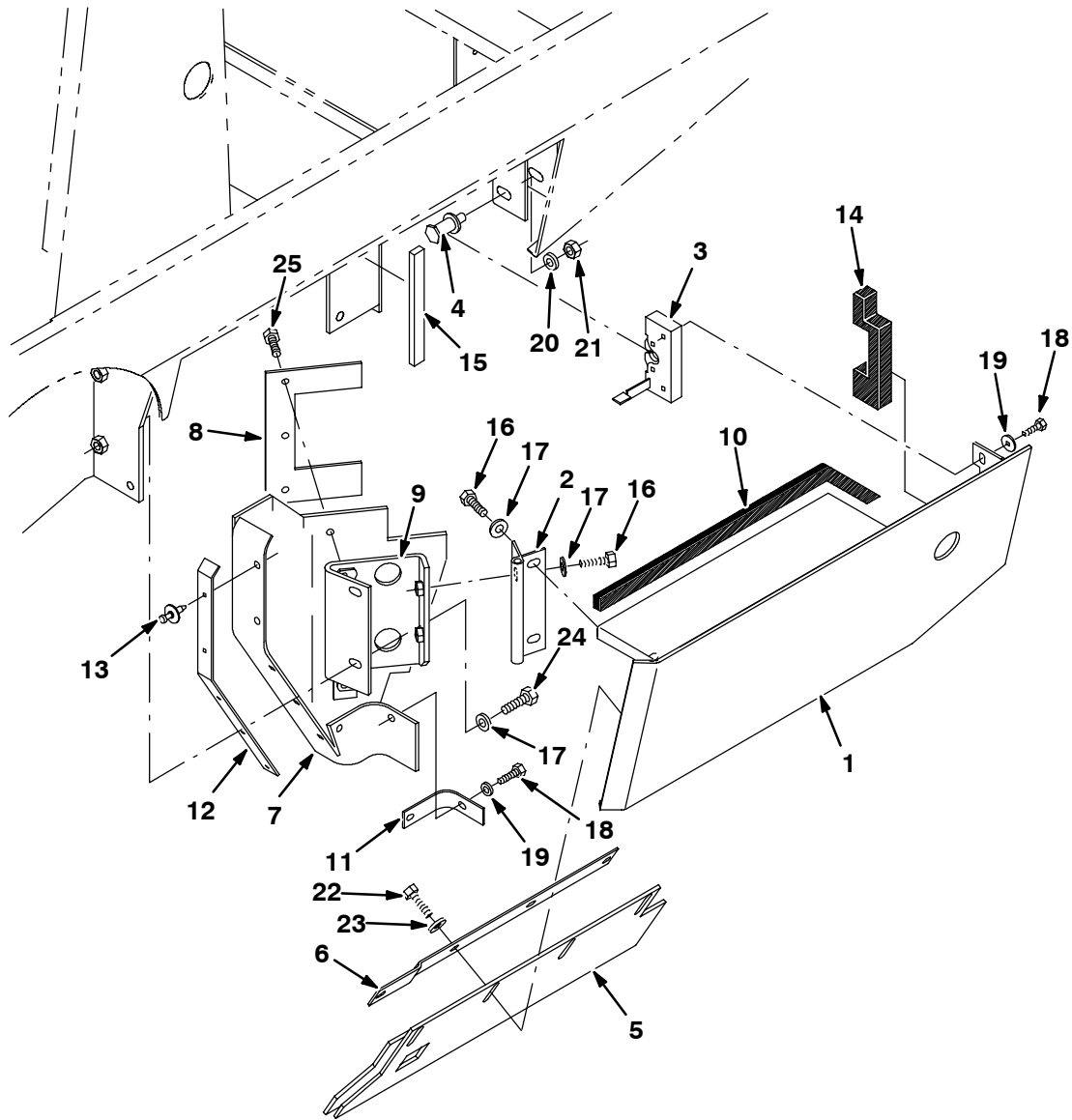


Fig. 5 - Brush Door Group, Left

Ref.	Part No.	Serial Number	Description	Qty.
1	59760	(000000-) Door Wldt, Brush, Lh	1
2	72120	(000000-) Hinge, .38pin .11 3.5w 05.6l 4/H&Slot	1
3	59194	(000000-) Latch Hook, Lh	1
4	59192	(000000-) Latch, Bolt	1
5	379750	(000000-) Skirt, Brush Door	1
6	379756	(000000-) Strip, Retaining	1
7	379755	(000000-) Skirt, Deflection	1
8	59692	(000000-) Strap	1
9	72119	(000000-) Bracket, Mtg, Hinge, Brush Door, Lh	1
10	69931	(000000-) Seal, Rbr, Open, 0.31th, 0.75w 21.0l Adh	1
11	58770	(000000-) Bracket, Angle, .12 2.75 3.17 01.0l	1
12	56914	(000000-) Strap	1
13	72968	(000000-) Rivet, Plstc, .250 X 0.898	5
14	59538	(000000-) Seal, Rbr, Open, 1.00th, Door, Brush, Lh	1
15	13301	(000000-) Seal, Rbr, Open, 0.31th, 0.75w 07.0l Adh	1
16	09028	(000000-) Screw, Hex, M10 X 1.5 X 25, Ss	4
17	41187	(000000-) Washer, Belleville, .38	6
18	09007	(000000-) Screw, Hex, M 6 X 1.0 X 25, Ss	4
19	01684	(000000-) Washer, Flat, 0.25 Ss	4
20	41619	(000000-) Washer, Flat, 0.50 Ss	1
21	07788	(000000-) Nut, Hex, Std, M12 X 1.75, Ss	1
22	09010	(000000-) Screw, Hex, M 8 X 1.25 X 25, Ss	4
23	01685	(000000-) Washer, Flat, 0.31 Ss	4
24	09291	(000000-) Screw, Hex, M10 X 1.5 X 20, Ss	2
25	76099	(000000-) Screw, Hex, M8 X 1.25 X 25, Fmg	3

Fig. 6 - Seat and Shroud Group

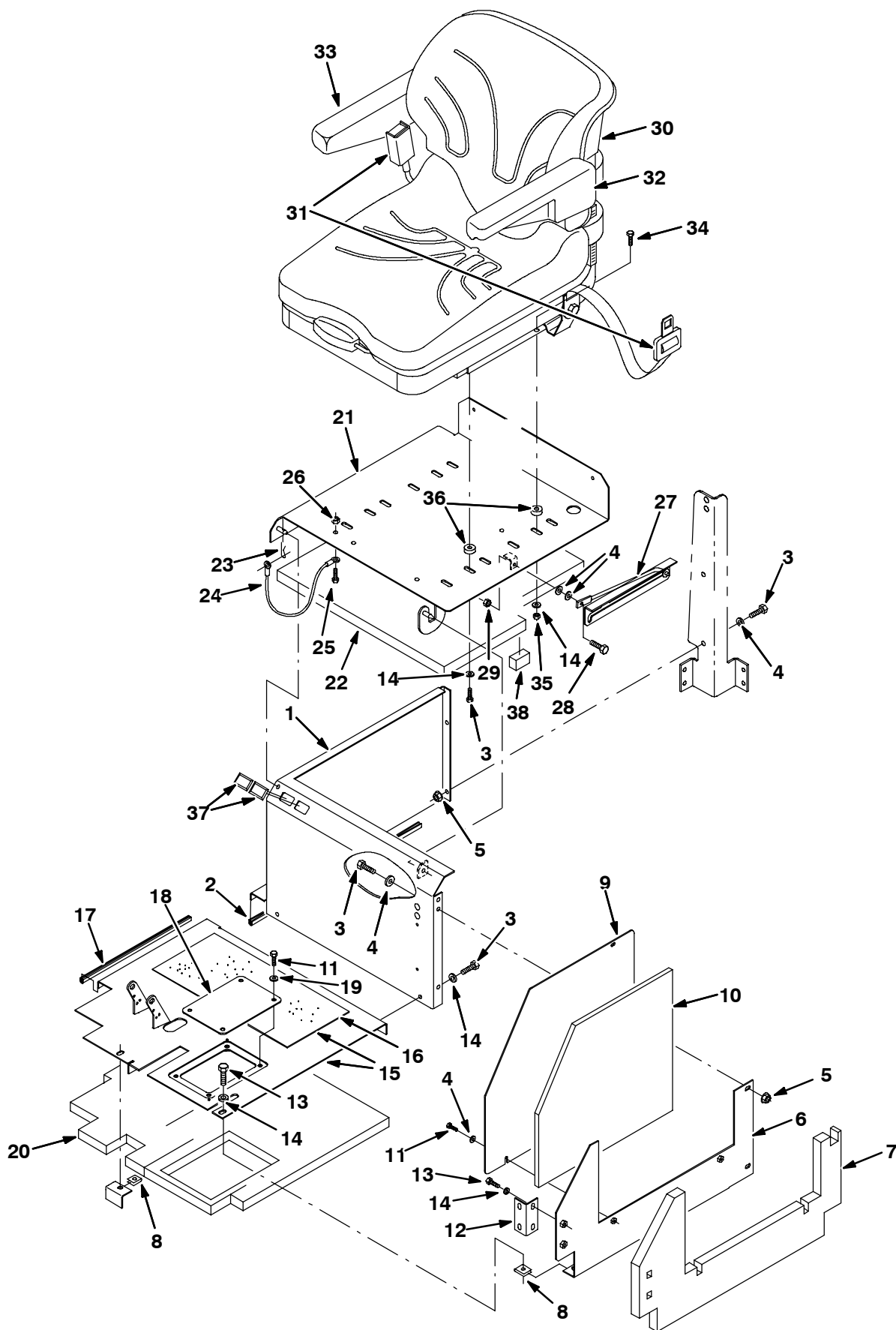


Fig. 6 - Seat and Shroud Group

Ref.	Part No.	Serial Number	Description	Qty.	
1	1008738	(000000-010468)	Panel Wldt, Sppt, Seat	1	
1	1024441	(010469-)	Panel Wldt, Sppt, Seat	1	
2	62595-23	(000000-)	Molding, Trim, Pvc,.08-.11 22.8l	1	
3	39277	(000000-)	Screw, Hex, M 8 X 1.25 X 25, 8.8	7	
4	32490	(000000-)	Washer, Flat, 0.25 Std	9	
5	07791	(000000-)	Nut, Hex, Fing, M08 X 1.25	3	
6	1006726	(000000-)	Panel, Inside	1	
7	1006751	(000000-)	Insulation, Acstc, Panl	1	
8	58595	(000000-)	Nut, U, M08 X 1.25	2	
9	377241	(000000-)	Plate, Access, W/Label [6600/6650]	1	
10	1008256	(000000-)	Insulation, Acstc	1	
11	06942	(000000-)	Screw, Hex, M 6 X 1.0 X 16, 8.8	7	
12	59771	(000000-)	Bracket	1	
13	16735	(000000-)	Screw, Hex, M 8 X 1.25 X 16, 8.8	4	
14	32491	(000000-)	Washer, Flat, 0.31 Std	8	
▽	15	377199	(000000-)	Plate, Floor, W/ Tread [6600/6650]	1
▲	16	16369	(000000-)	Tread, Non-Skid, 08.W 17.0l	1
	17	62595-22	(000000-)	Molding, Trim, Pvc,.08-.11 14.2l	1
	18	1009066	(000000-)	Plate, Floor, Access	1
	19	32483	(000000-)	Washer, Flat, 0.25 Sae	4
	20	1009130	(000000-)	Insulation, Acstc, Plate, Floor	1
	21	1009590	(000000-)	Cover Wldt, Sppt, Seat	1
	22	59822	(000000-)	Insulation, Acstc, Cover, Seat, 1.0	1
	23	44906	(000000-)	Pin, Hair Cotter, 0.69 D .092 Wir	1
	24	57702	(000000-)	Cable, .06d, 12.0l, .26eye /.26eye	1
	25	06943	(000000-)	Screw, Hex, M 6 X 1.0 X 20, 8.8	1
	26	07790	(000000-)	Nut, Hex, Fing, M06 X 1.0	1
	27	54615	(000000-)	Arm Wldt, Safety, Sppt, Seat, .38d 10.1l	1
	28	06946	(000000-)	Screw, Hex, M 6 X 1.0 X 35, 8.8	1
	29	08708	(000000-)	Nut, Hex, Lock, M 6 X 1.0, NI	1
▽	30	377070	(000000-)	Seat, Dlx, W/2 Swing Arm [6650/6600]	1
▲	31	377071	(000000-)	Seatbelt, Static F/ Dlx Seat[6650/6600]	1
▲	32	377072	(000000-)	Arm, Swing, Lh	1
▲	33	377073	(000000-)	Arm, Swing, Rh	1
	34	76570	(000000-)	Screw, Hex, M 8 X 1.25 X 30, 8.8	4
	35	08709	(000000-)	Nut, Hex, Lock, M 8 X 1.25 NI	2
	36	69462	(000000-)	Tube, 01.00d 00.38b 00.4l Stl Plt	4
	37	57772	(000000-)	Button, Plug, Switch, 1.45 X 0.83 Hole	2
	38	370124	(000000-)	Insulation, Acstc, 1.0 01.5w 06.8l	1

Fig. 7 - Grille Group, Right

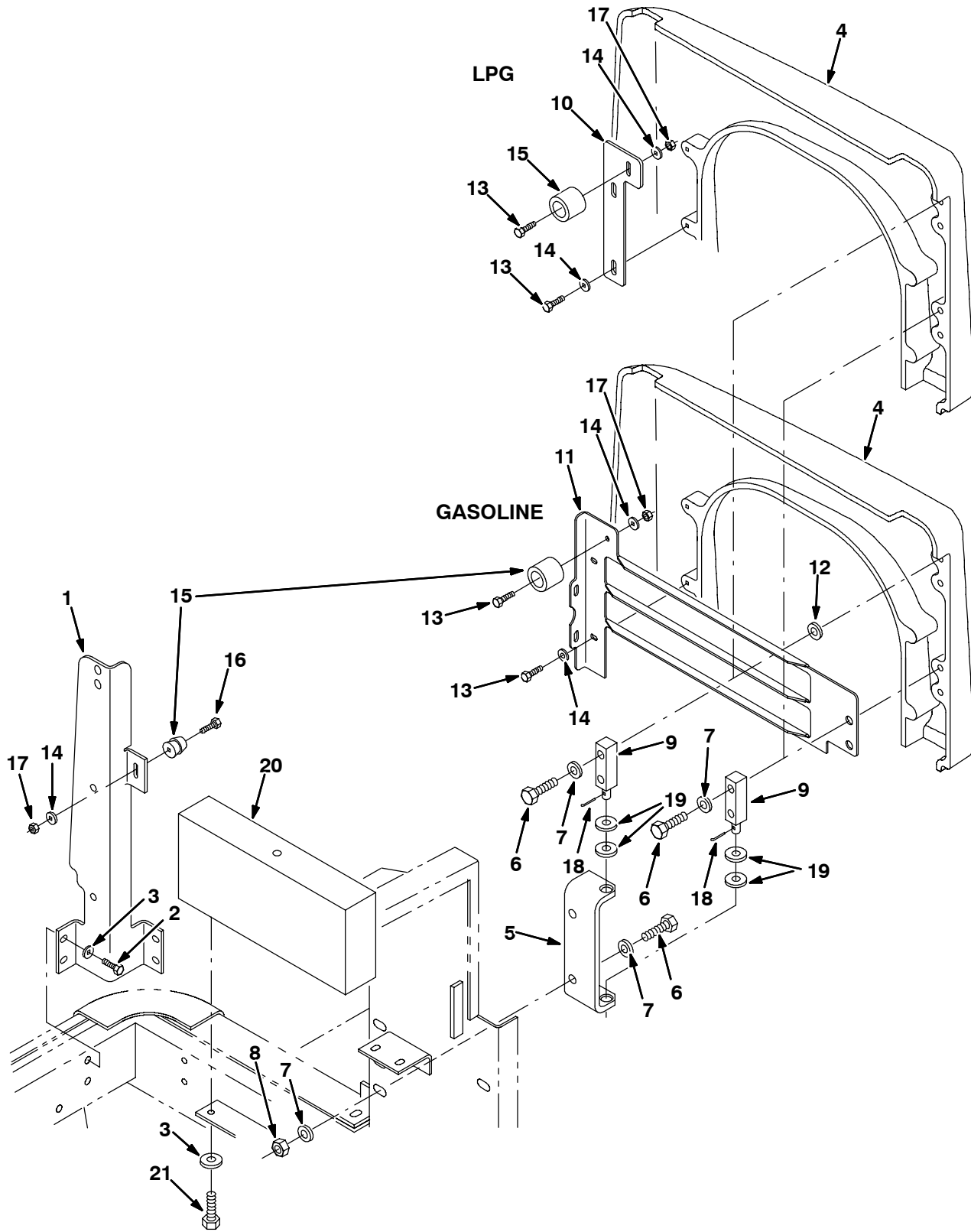


Fig. 7 - Grille Group, Right

Ref.	Part No.	Serial Number	Description	Qty.
1	383183	(000000-) Channel, Post, Corner	1
2	09011	(000000-) Screw, Hex, M 8 X 1.25 X 30, Ss	4
3	32491	(000000-) Washer, Flat, 0.31 Std	6
4	379871	(000000-) Grille, Door, Lpg	1
5	1008120	(000000-) Bracket, Grill [6600/6650]	1
06969	069069	(000000-) Screw, Hex, M12 X 1.75 X 40, 8.8	6
7	36328	(000000-) Washer, Belleville, .50	8
8	08711	(000000-) Nut, Hex, Lock, M12 X 1.75,NI	2
9	72176	(000000-) Pin	2
10	383184	(000000-) Plate, Mtg, Latch (LPG Only)	1
11	1006558	(000000-) Grille, Filler, Door, Rh (Gas Only)	1
12	32493	(000000-) Washer, Flat, 0.50 Std	2
13	06942	(000000-) Screw, Hex, M 6 X 1.0 X 16, 8.8	3
14	32490	(000000-) Washer, Flat, 0.25 Std	4
15	383185	(000000-) Latch Assy, Rbr, 1.6d 1.4l/1.0d 1.0l	1
16	06945	(000000-) Screw, Hex, M 6 X 1.0 X 30, 8.8	1
17	08708	(000000-) Nut, Hex, Lock, M 6 X 1.0, NI	2
18	44906	(000000-) Pin, Hair Cotter, 0.69 D .092 Wir	2
19	32486	(000000-) Washer, Flat, 0.50 Sae	4
20	1008958	(000000-) Weight, Counter (6650 XS Gasoline Only)	1
21	39277	(000000-) Screw, Hex, M8X1.25X25, 8.8 (6650 XS Gasoline Only)	2

Fig. 8 - Grille Group, Left

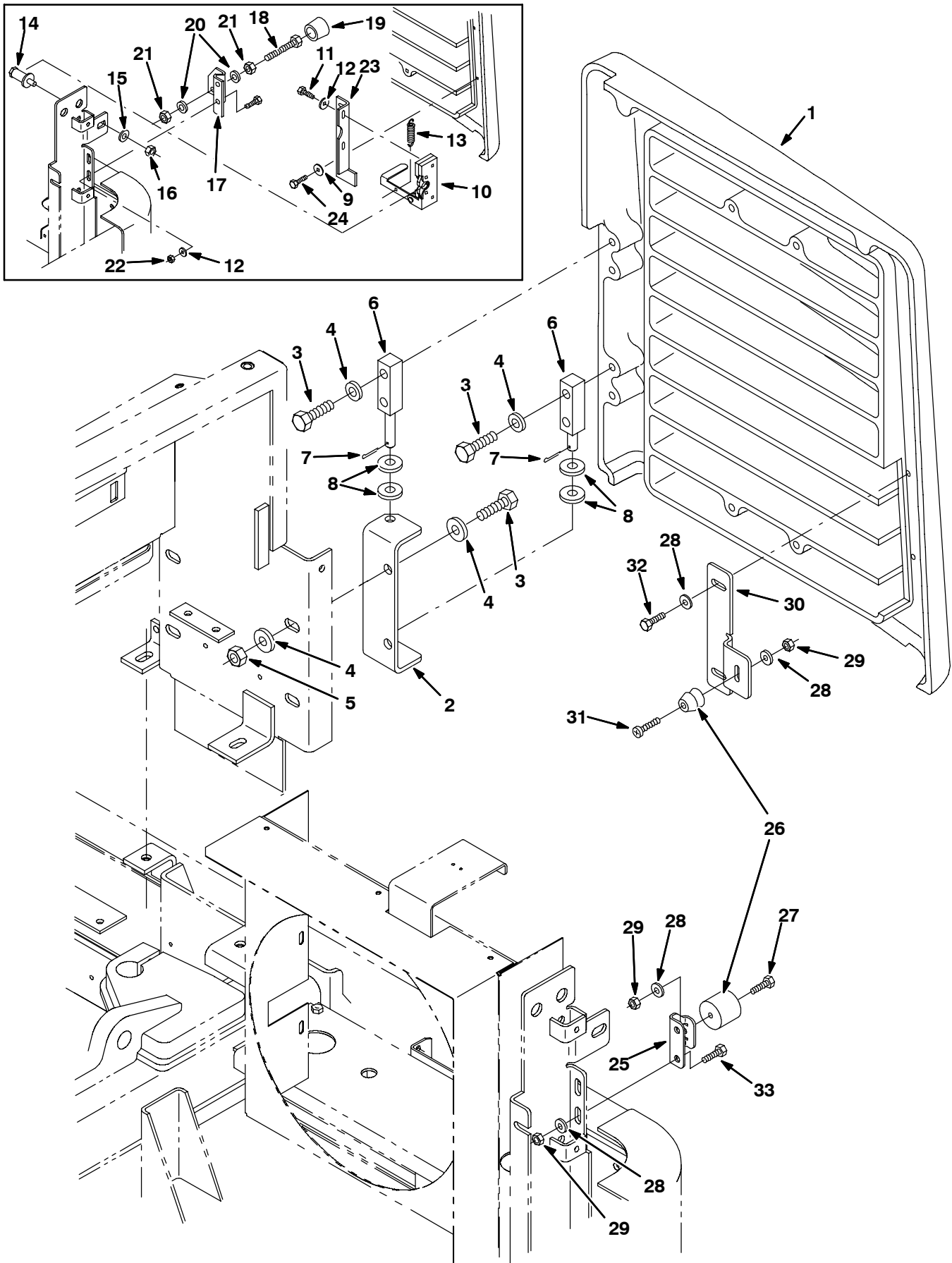


Fig. 8 - Grille Group, Left

Ref.	Part No.	Serial Number	Description	Qty.
1	379565	(000000-) Grill, Door, Lh	1
2	1008120	(000000-) Bracket, Grill [6600/6650]	1
3	06969	(000000-) Screw, Hex, M12 X 1.75 X 40, 8.8	6
4	36328	(000000-) Washer, Belleville, .50	8
5	08711	(000000-) Nut, Hex, Lock, M12 X 1.75, NI	2
6	72176	(000000-) Pin	2
7	44906	(000000-) Pin, Hair Cotter, 0.69 D .092 Wir	2
8	32493	(000000-) Washer, Flat, 0.50 Std	4
9	32491	(000000-009999) Washer, Flat, 0.31 Std	2
10	59695	(000000-009999) Latch	1
11	06944	(000000-009999) Screw, Hex, M 6 X 1.0 X 25, 8.8	2
12	32940	(000000-009999) Clevis, Adj, 1.12pin, 1.00-14	4
13	59870	(000000-009999) Spring, Extn, 0.38od X 0.05wir, 2.5l	1
14	59192	(000000-009999) Latch, Bolt	1
15	32493	(000000-009999) Washer, Flat, 0.50 Std	1
16	39313	(000000-009999) Nut, Hex, Std, M12 X 1.75	1
17	70248	(000000-009999) Bracket, Stop Bolt, Rear Grill	1
18	55347	(000000-009999) Screw, Hex, .38-16 X 2.00, FI	1
19	01318	(000000-009999) Tip, Rbr, 0.94d 0.59b 0.88l	1
20	32492	(000000-009999) Washer, Flat, 0.38 Std	2
21	25014	(000000-009999) Nut, Hex, Std, .38-16	2
22	08709	(000000-009999) Nut, Hex, Lock, M 8 X 1.25 NI	2
23	70252	(000000-009999) Bracket, Latch, Grill, Lpg	1
24	16931	(000000-009999) Screw, Hex, M 8 X 1.25 X 20, 8.8	1
25	1014797	(010000-) Bracket, Mtg, Stop, Door	1
26	383185	(010000-) Latch Assy, Rbr, 1.6d 1.4l/1.0d 1.0l	1
27	06945	(010000-) Screw, Hex, M6 X 1.0 X 30, 8.8	1
28	32490	(010000-) Washer, Flat, 0.25 Std	6
29	08708	(010000-) Nut, Hex, Lock, M6 X 1.0, NI	4
30	1014752	(010000-) Bracket, Mtg, Latch	1
31	09145	(010000-) Screw, Pan, M6 X 1.0 X 16, 4.8	1
32	11329	(010000-) Screw, Hex, M6 X 1.0 X 16, Ss, NI	2
33	16931	(010000-) Screw, Hex, M8 X 1.25 X 20, 8.8	2

Fig. 9 - Engine Cover Group

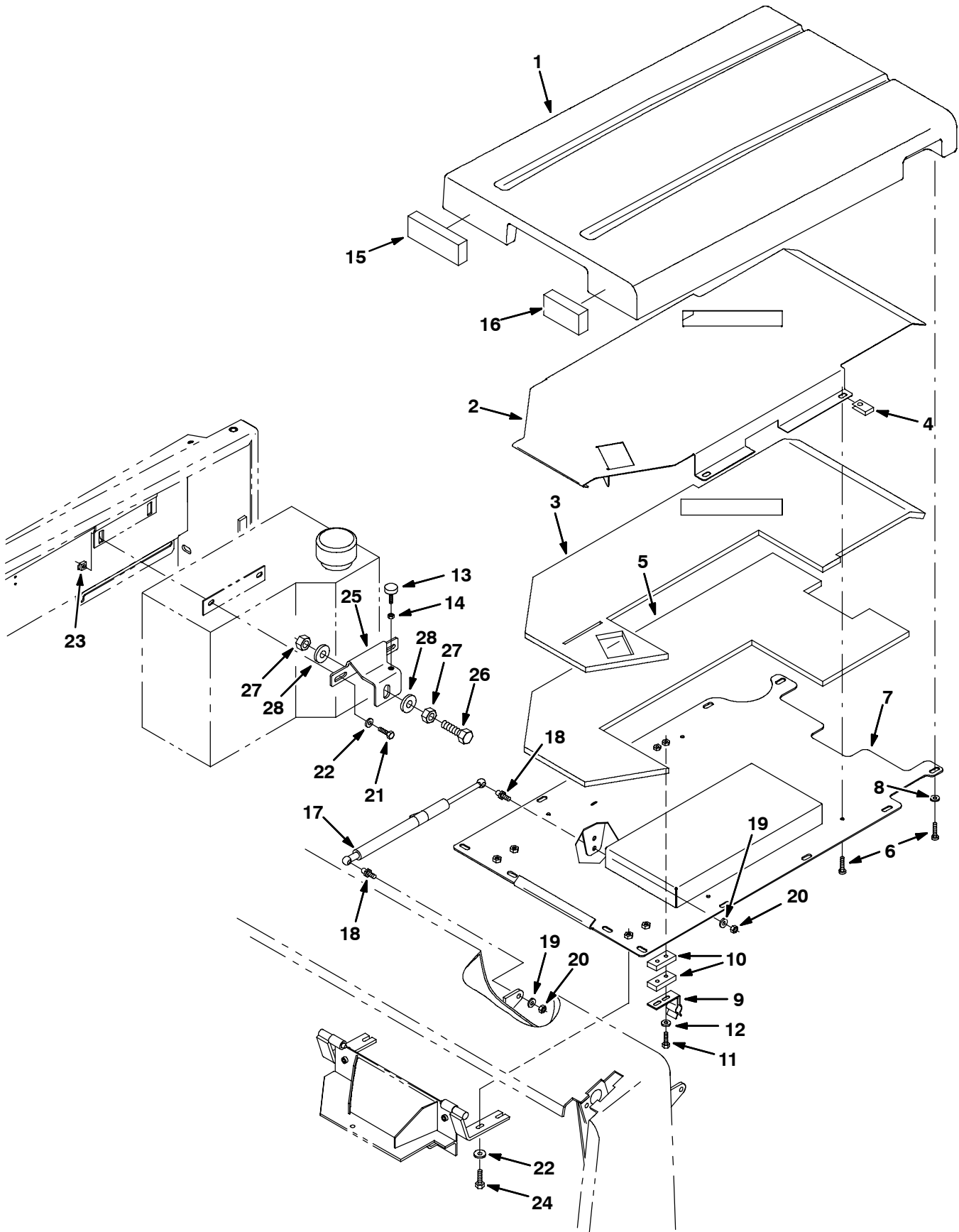


Fig. 9 - Engine Cover Group

Ref.	Part No.	Serial Number	Description	Qty.
1	383162	(000000-) Cover, Eng, Plstc, [6600/6650]	1
2	1009217	(000000-014999) Plate, Cover, Eng, Top	1
2	1031242	(015000-) Plate, Cover, Eng, Top [6600/6650 2007]	1
3	1009292	(000000-014999) Insulation, Acstc, 0.5 15.5w 35.6l Notch	1
3	1035134	(015000-) Insulation, Acstc, 0.5, 35.6 X 15.5 Cham	1
4	12271	(000000-) Nut, U, M06 X 1.0	5
5	1009315	(000000-014999) Insulation, Acstc, 0.5 15.5w 33.2l Notch	1
5	1035125	(015000-) Insulation, Acstc, 0.5, 33.3 X 15.5 Cham	1
6	09145	(000000-) Screw, Pan, M 6 X 1.0 X 16, 4.8	17
7	1006424	(000000-009999) Plate Wldt, Cover, Eng	1
7	1014071	(010000-014999) Plate Wldt, Cover, Plstc, Eng	1
7	1031240	(015000-) Plate Wldt, Cover, Plstc, Eng [2007]	1
8	29570	(000000-) Washer, 0.28b 1.00d .06, Stl	12
9	1008916	(000000-) Bracket Wldt, Latch	1
10	1008913	(000000-) Spacer, Brkt, Latch	2
11	06943	(000000-) Screw, Hex, M 6 X 1.0 X 20, 8.8	2
12	32483	(000000-) Washer, Flat, 0.25 Sae	2
13	20802	(000000-) Bumper, Rbr, 1.0d 0.38t .25-20	1
14	32520	(000000-) Nut, Hex, Jam, .25-20	1
15	69986	(000000-) Insulation, Acstc, 1.0 02.0w 05.8l	1
16	69987	(000000-) Insulation, Acstc, 1.0 02.0w 04.0l	1
17	77728	(000000-) Gasspring, 130lb, 6.2strk	1
18	58494	(000000-) Stud, Ball, .39d .31-16, Gasspring	2
19	01685	(000000-) Washer, Flat, 0.31 Ss	2
20	01760	(000000-) Nut, Hex, Lock, .31-18, NI, Thin	2
21	76956	(000000-) Screw, Hex, .31-18 X 1.25, 5	2
22	32491	(000000-) Washer, Flat, 0.31 Std	6
23	29124	(000000-) Nut, Speed, Retainer, .31-18 [.093-.126]	2
24	39277	(000000-) Screw, Hex, M 8 X 1.25 X 25, 8.8	4
25	1006162	(000000-) Bracket, Latch, Cover, Eng	1
26	06988	(000000-) Screw, Hex, M16 X 2.0 X 90, 8.8	1
27	763066	(000000-) Nut, Hex, Jam, M16x2.0	2
28	15331	(000000-) Washer, Flat, 0.62 Sae	2

Fig. 10 - Engine Side Door Group

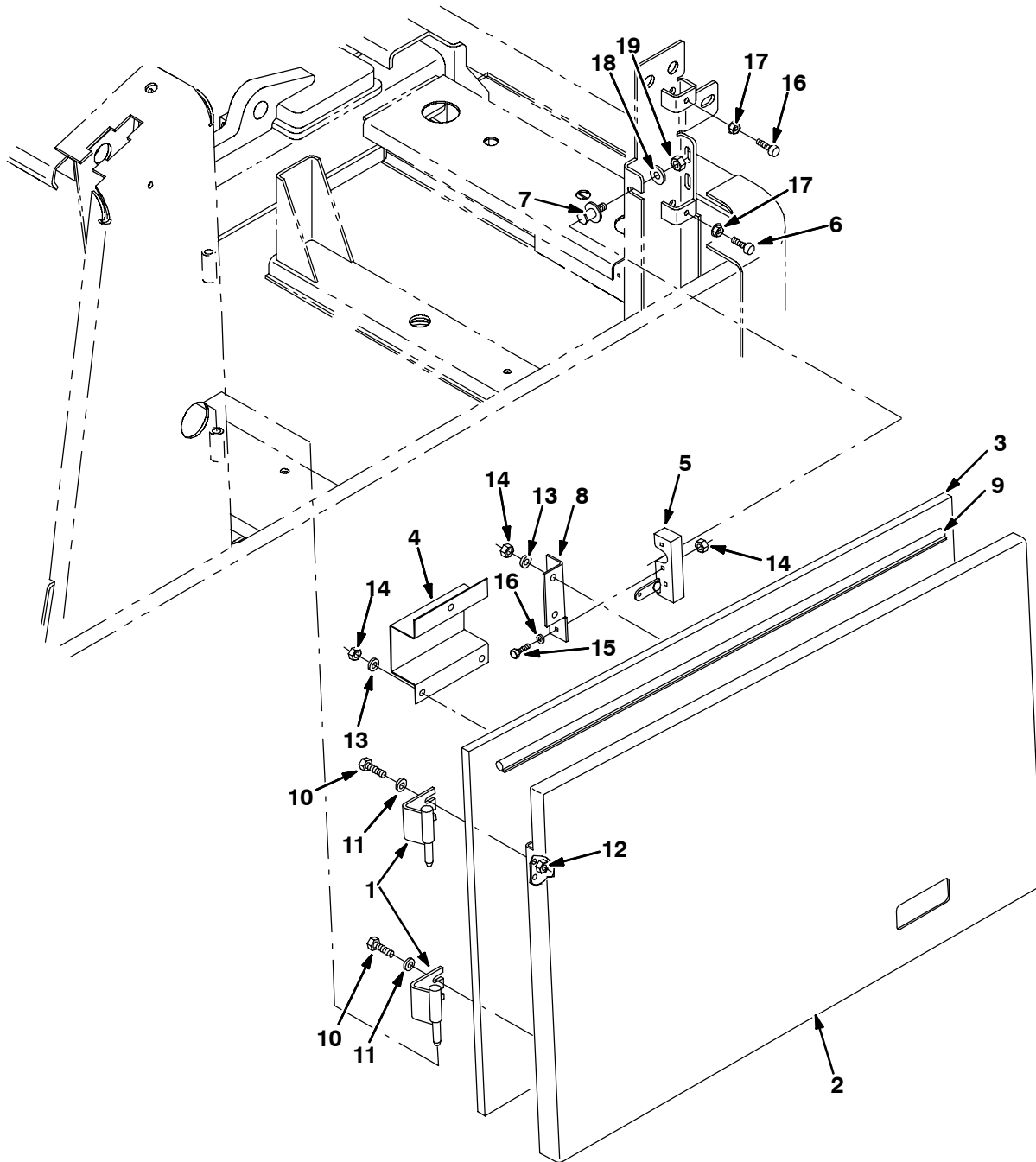


Fig. 10 - Engine Side Door Group

Ref.	Part No.	Serial Number	Description	Qty.
1	59377	(000000-) Hinge Wldt, Door, Side	2
2	59830	(000000-) Door Wldt, Eng, Side	1
3	59018	(000000-) Insulation, Acstc	1
4	59829	(000000-) Bracket, Door	1
5	59661	(000000-) Latch	1
6	75128	(000000-) Spindle, Adjustment	2
7	72154	(000000-) Bolt, Latch	1
8	59828	(000000-) Bracket, Latch, Door	1
9	59647	(000000-) Seal, Bulb, [Sd-0504], 36.50l	1
10	16931	(000000-) Screw, Hex, M 8 X 1.25 X 20, 8.8	4
11	41186	(000000-) Washer, Belleville, .31	4
12	07791	(000000-) Nut, Hex, Flng, M08 X 1.25	4
13	32483	(000000-) Washer, Flat, 0.25 Sae	5
14	08708	(000000-) Nut, Hex, Lock, M 6 X 1.0, NI	7
15	16949	(000000-) Screw, Hex, .25-20 X 0.75, Sems	2
16	32490	(000000-) Washer, Flat, 0.25 Std	2
17	27978	(000000-) Nut, Hex, Flng, .25-20	2
18	32492	(000000-) Washer, Flat, 0.38 Std	1
19	50902	(000000-) Nut, Hex, Lock, .38-16, NI	1

Fig. 11 - Steering and Firewall Group

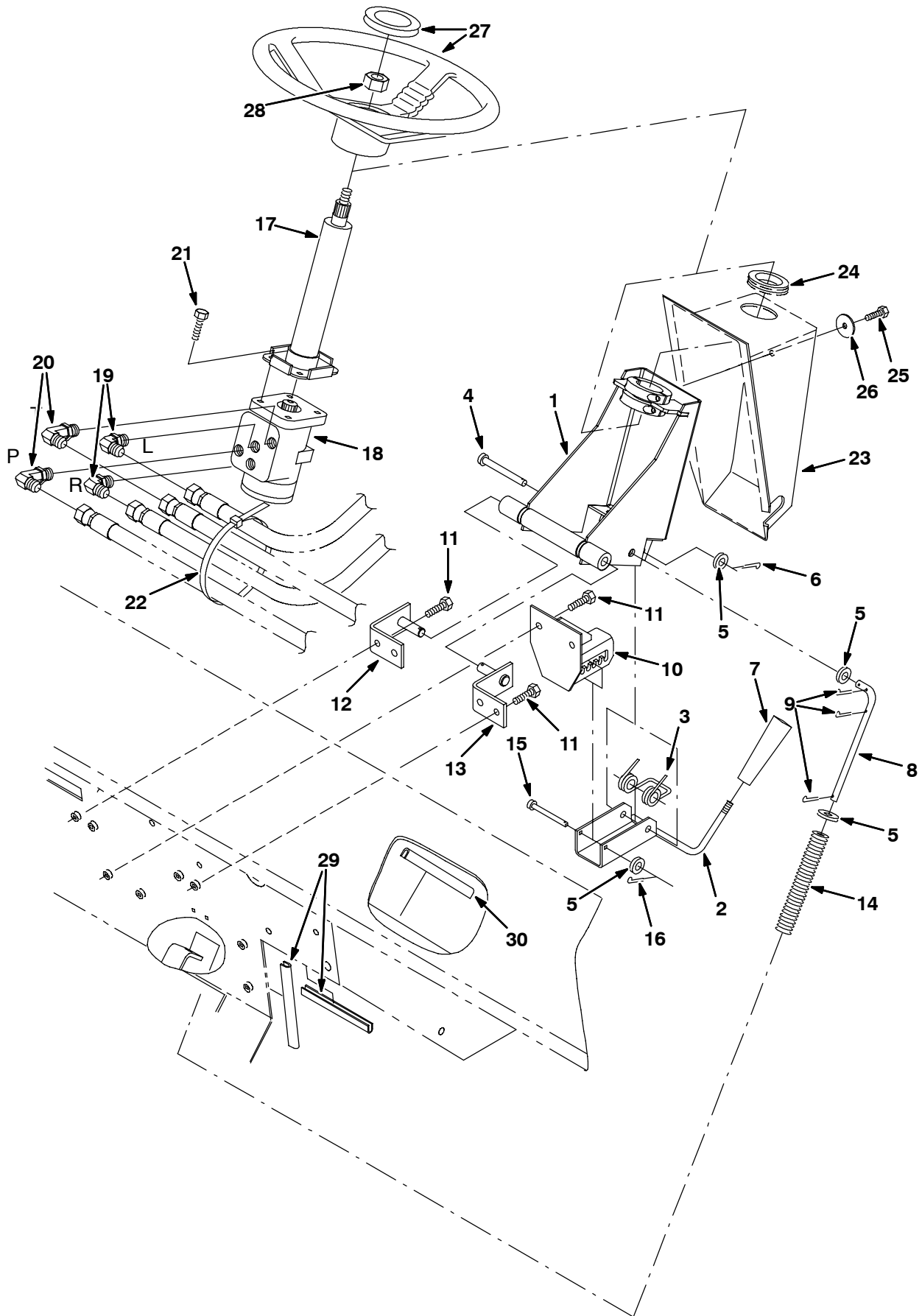


Fig. 11 - Steering and Firewall Group

Ref.	Part No.	Serial Number	Description	Qty.	
1	1007121	(000000-) Bracket Wldt, Valve	1	
2	56379	(000000-) Lever	1	
3	56198	(000000-) Spring, Tors, 0.54id .11wir 06.0coil	1	
4	23191	(000000-) Pin, Clevis, 0.37 D X 3.00l	1	
5	32492	(000000-) Washer, Flat, 0.38 Std	4	
6	39005	(000000-) Pin, Cotter, .094 X 0.75	1	
7	59940	(000000-) Knob, Tpr, 1.12d 3.88l M08x1.25 Plstc	1	
8	56392	(000000-) Rod, L, . D	1	
9	08182	(000000-) Pin, Cotter, .125 X 1.00	3	
10	56385	(000000-) Bracket Wldt, Ntch Steering	1	
11	16735	(000000-) Screw, Hex, M 8 X 1.25 X 16, 8.8	6	
12	58667	(000000-) Bracket Wldt, Mtg, Steering	1	
13	58665	(000000-) Bracket Wldt, Mtg, Steering	1	
14	63852	(000000-) Spring, Cmpr, 0.970d .11wir 5.5l	1	
15	04733-10	(000000-) Pin, Clevis, 0.25 D X 2.44l	1	
16	08178	(000000-) Pin, Cotter, .062 X 0.75	1	
▽	17	57935	(000000-) Column, Steering #4 08.0l 0.81d 36tooth	1
▲	74142	(000000-) Cap, Tube	1	
18	1005089	(000000-) Steer-Control, Hyd (See Breakdown)	1	
19	56820	(000000-) Fitting, Hyd, E90, Jm06/Om06	2	
20	71727	(000000-) Fitting, Hyd, E90, Jm06om06l	2	
21	02994	(000000-) Screw, Hex, .38-16 X 0.75, Ss	4	
22	49263	(000000-) Tie, Cable, Nyl, 11.4l .19w 3.0 Max D	6	
23	1011779	(000000-) Cover, Column, Steering	1	
24	54345	(000000-) Grommet, Rbr, 1.62id, F/ 1.9h, .13matl	1	
25	06942	(000000-) Screw, Hex, M6 X 1.0 X 16, 8.8	2	
26	41178	(000000-) Washer, Flat, 0.25 Fender	2	
27	56398	(000000-) Wheel, Steering	1	
28	56185	(000000-) Nut, Hex, Jam, M20 X 1.5	1	
29	57564	(000000-) Molding, Trim, Pvc,.08-.11 05.0l	2	
30	62595-6	(000000-) Molding, Trim, Pvc,.08 .11 07.5l	1	

Fig. 12 - Instrument Panel Assembly

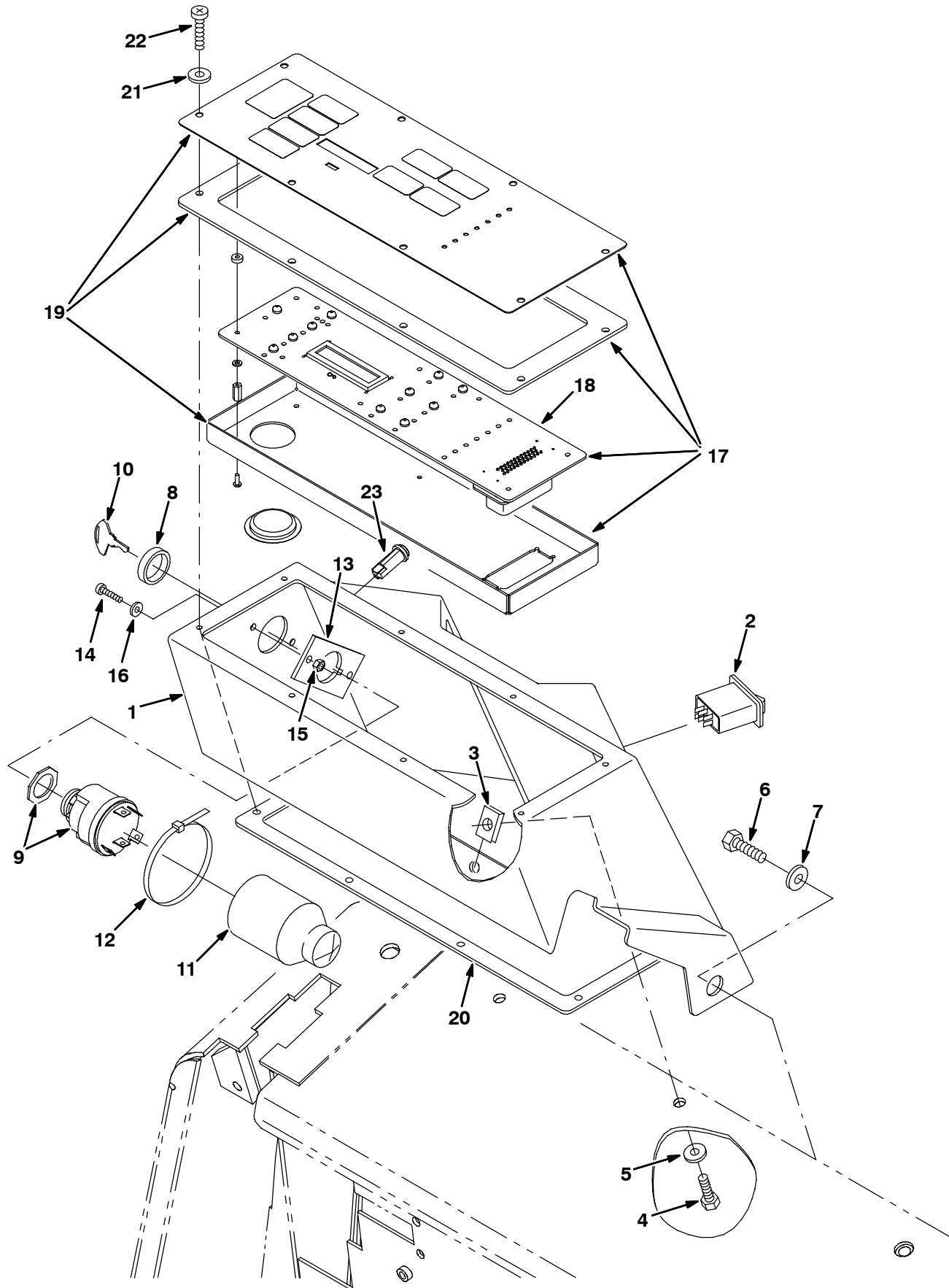


Fig. 12 - Instrument Panel Assembly

Ref.	Part No.	Serial Number	Description	Qty.	
1	1012906	(000000-) Panel Assy, Instmt [6650]	1	
2	392171	(000000-) Switch, Rocker, 36vdc 05a Dpdt On/Of/On	1	
3	12271	(000000-) Nut, U, M06 X 1.0	2	
4	06944	(000000-) Screw, Hex, M 6 X 1.0 X 25, 8.8	2	
5	32490	(000000-) Washer, Flat, 0.25 Std	2	
6	16735	(000000-) Screw, Hex, M 8 X 1.25 X 16, 8.8	2	
7	32491	(000000-) Washer, Flat, 0.31 Std	2	
8	382516	(000000-) Boot, Switch	1	
▽	9	87536	(000000-) Switch, Ign	1
▲	10	87866	(000000-) Key, Ignition, [Set Of 2]	1
11	383165	(000000-) Boot, Switch, Ignition	1	
12	49263	(000000-) Tie, Cable, Nyl, 11.4l .19w 3.0 Max D	1	
13	19768	(000000-) Plate	1	
14	06933	(000000-) Screw, Pan, M 5 X 0.8 X 16, 4.8	2	
15	06549	(000000-) Nut, Hex, Lock, M 5 X 0.8, NI	2	
16	19066	(000000-) Washer, Flt, #10	2	
▽	17	1020990	(000000-009999)	Panel Assy, Instmt [6650]	1
▲	18	377293	(000000-009999)	Circuitboard Kit, Replmt [6650]	1
▲	19	377294	(000000-009999)	Overlay Kit, Panl, Cntrl, Replmt [6650]	1
▽	17	1020992	(010000-) Panel Assy, Instmt [6650 E-Controls]	1
▲	18	9000475	(010000-) Kit, Replmt, Circuitboard [6650]	1
▲	19	377294	(010000-) Kit, Replmt, Overlay [6650]	1
20	1012871	(000000-) Plate, Retainer	1	
21	1012615	(000000-) Washer, .19b .44b .03, Nyl	8	
22	06933	(000000-) Screw, Pan, M5 X 0.8 X 16, 4.8	8	
23	1012185	(010000-) Light, Check Eng, Amb, 14Vdc	1	

Fig. 13 - Side Instrument Panel Group

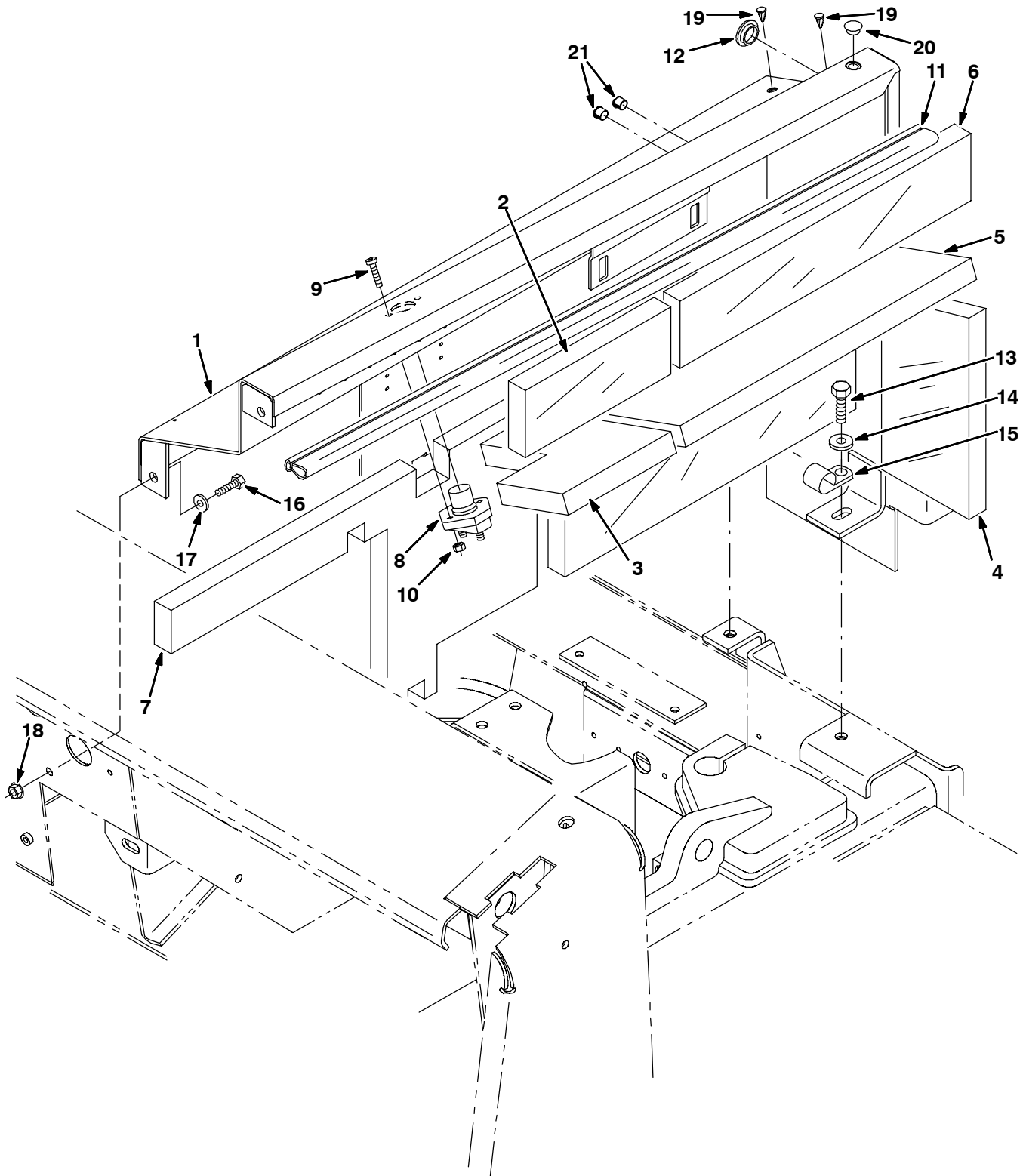


Fig. 13 - Side Instrument Panel Group

Ref.	Part No.	Serial Number	Description	Qty.
1	1014363	(000000-) Panel, Wldt, Instmt, Side [6650]	1
2	1009218	(000000-) Insulation, Acstc	1
3	1009221	(000000-) Insulation, Acstc	1
4	59622	(000000-) Insulation, Acstc, 1.0 03.5w 10.5l Adh	1
5	59621	(000000-) Insulation, Acstc, 1.0 15.5w 17.5l	1
6	59623	(000000-) Insulation, Acstc, 1.0 02.0w 17.5l Adh	1
7	1008262	(000000-) Insulation, Acstc	1
8	44078	(000000-) Switch, Push, 12vdc 80a Spst No	1
9	09164	(000000-) Screw, Pan, M 6 X 1.0 X 20, 4.8	2
10	08708	(000000-) Nut, Hex, Lock, M 6 X 1.0, NI	2
11	59647	(000000-) Seal, Bulb,[Sd-0504], 36.50L	3
12	55035	(000000-) Button, Plug, 1.00h .00-.17 [Black Nyl]	2
13	39284	(000000-) Screw, Hex, M10 X 1.5 X 35, 8.8	2
14	32492	(000000-) Washer, Flat, 0.38 Std	2
15	69234	(000000-) Clamp, Cable, Stl, 1.00d X 0.62w, 1h	2
16	76570	(000000-) Screw, Hex, M 8 X 1.25 X 30, 8.8	2
17	32491	(000000-) Washer, Flat, 0.31 Std	2
18	07791	(000000-) Nut, Hex, Fing, M08 X 1.25	2
19	77399	(000000-) Clip, [Pine-Tree], .236h, Plstc	2
20	01314	(000000-) Button, Plug, 0.38h .03-.12 [Black Nyl]	2
21	33807	(000000-) Button, Plug, 0.44h .03-.12 [Black Nyl]	2

Fig. 14 - Electrical Group

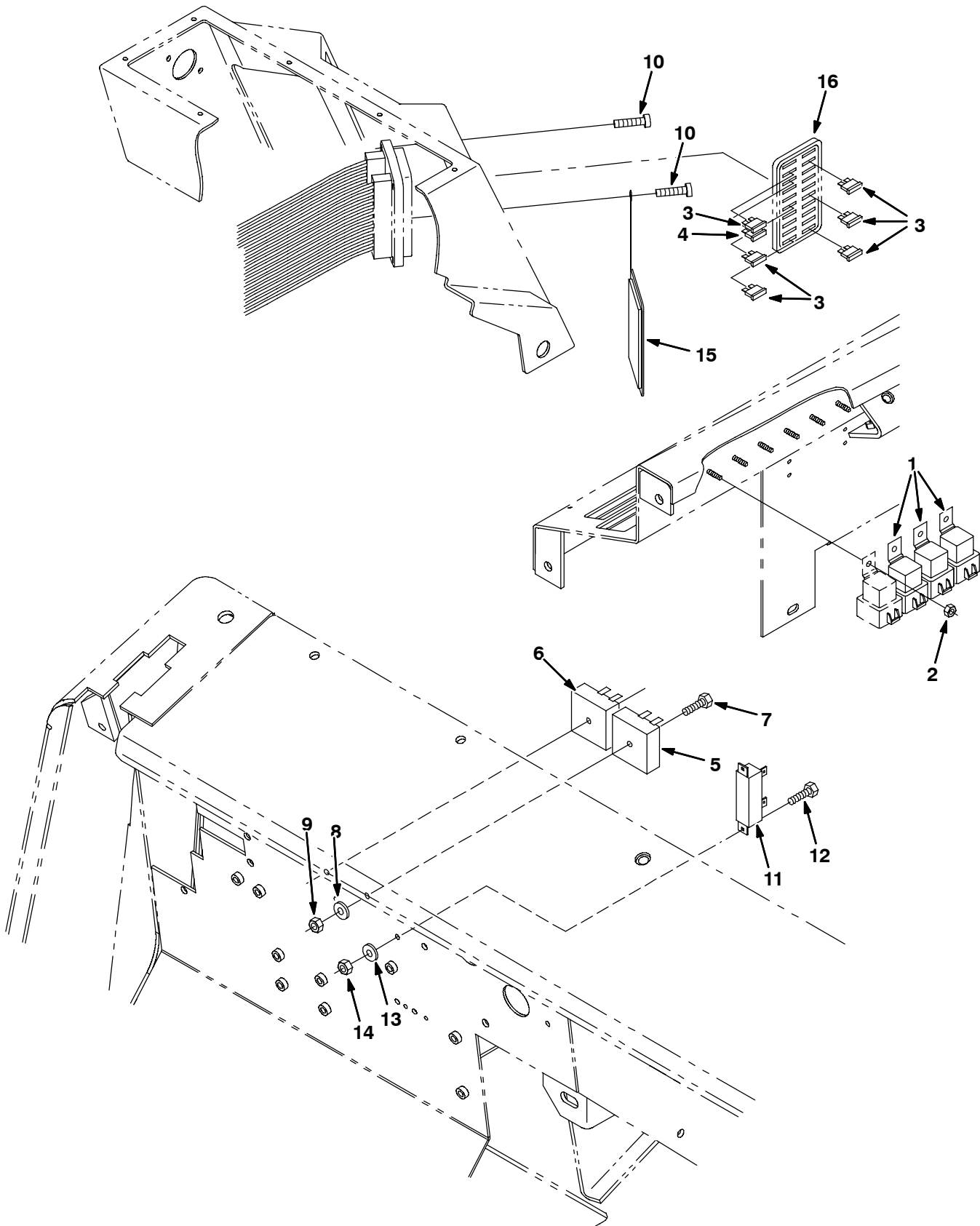


Fig. 14 - Electrical Group

Ref.	Part No.	Serial Number	Description	Qty.
1	56186	(000000-) Relay, 12vdc, 40a, Spdt N/O	3
2	08708	(000000-) Nut, Hex, Lock, M 6 X 1.0, NI	4
3	762514	(000000-) Fuse, 15 Amp	8
4	762516	(000000-) Fuse, 30 Amp	1
5	379665	(000000-) Module	1
6	379656	(000000-) Timer	1
7	07805	(000000-) Screw, Hex, M 6 X 1.0 X 35, Ss	2
8	32483	(000000-) Washer, Flat, 0.25 Sae	2
9	08712	(000000-) Nut, Hex, Lock, M 6 X 1.0, NI, Ss	2
10	39254	(000000-) Screw, Pan, #10-32 X 0.38, 2	4
11	71539	(000000-) Resistor, 022.00Ohm, 040Watt	1
12	09244	(000000-) Screw, Hex, M5 X 0.8 X 16, 8.8	2
13	19066	(000000-) Washer, Flat, #10	2
14	06549	(000000-) Nut, Hex, Lock, M5 X 0.8, NI	2
15	371904	(000000-) Cover, Fuseholder	1
16	9000267	(000000-) Fuse Block	1

Fig. 15 - Engine Group, Gasoline (00000-009999)

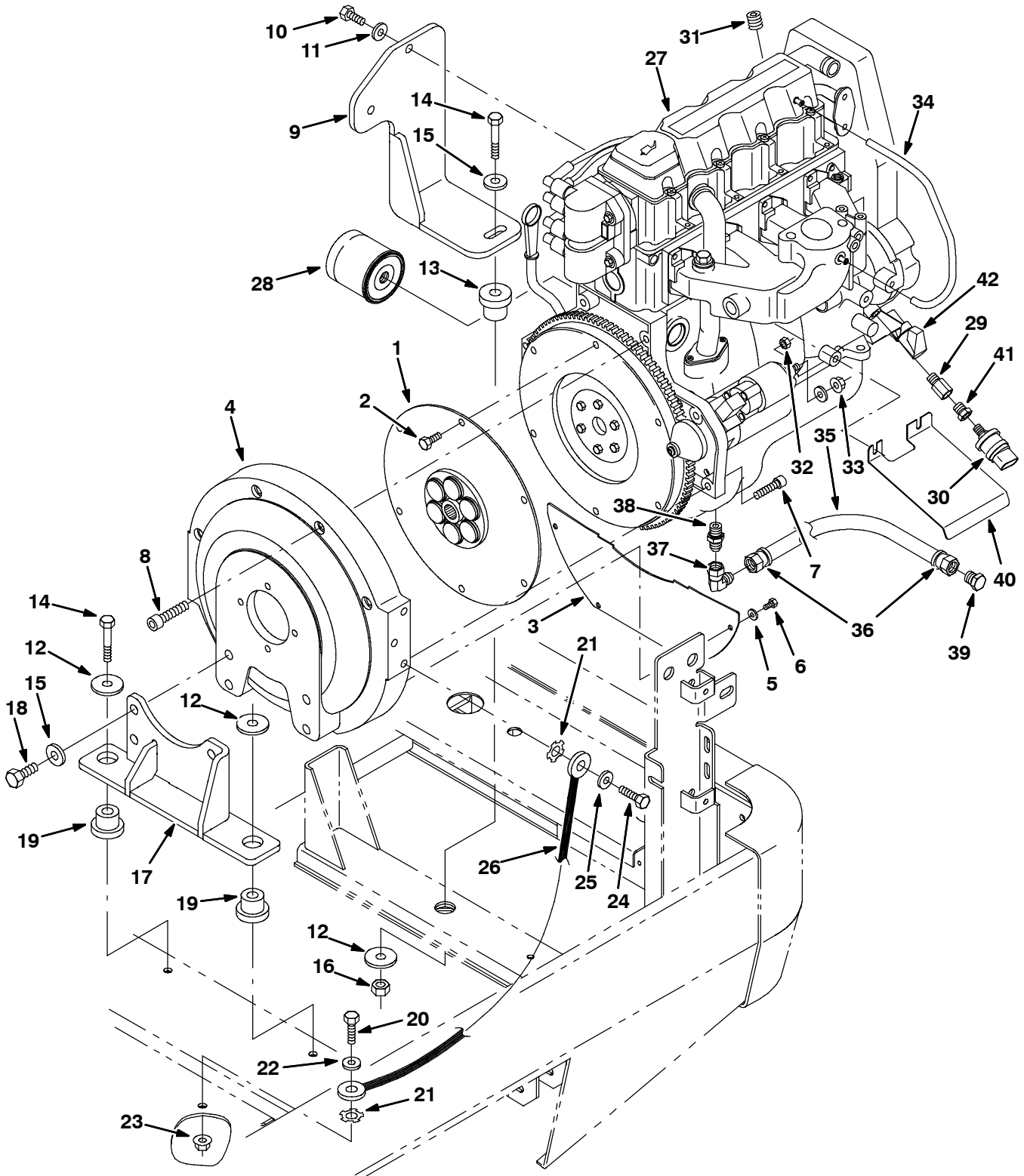


Fig. 15 - Engine Group, Gasoline (000000-009999)

Ref.	Part No.	Serial Number	Description	Qty.	
1	371866	(000000-009999)	Coupling, Drive, 13t	1	
2	371867	(000000-009999)	Bolt, M07 - 1.0	6	
3	371868	(000000-009999)	Cover, Hsng, Flywheel	1	
4	371869	(000000-009999)	Housing, Pump	1	
5	32483	(000000-009999)	Washer, Flat, 0.25 Sae	4	
6	19315	(000000-009999)	Screw, Hex, .25-20 X 0.50, 5	4	
7	10832	(000000-009999)	Screw, Soc, .38-16 X 1.50, Al	2	
8	371870	(000000-009999)	Screw, Soc, M12 X 1.75 X 55, 10.9	4	
9	1005563	(000000-009999)	Mount Wldt, Eng, Gas / Lpg	1	
10	39283	(000000-009999)	Screw, Hex, M10 X 1.5 X 25, 8.8	2	
11	32492	(000000-009999)	Washer, Flat, 0.38 Std	2	
12	04414	(000000-009999)	Washer, 0.53b 1.88d .12, Stl, PI	6	
13	51176	(000000-009999)	Isolator, Vib, Dia .50	1	
14	06972	(000000-009999)	Screw, Hex, M12 X 1.75 X 60, 8.8	3	
15	32493	(000000-009999)	Washer, Flat, 0.50 Std	5	
16	08711	(000000-009999)	Nut, Hex, Lock, M12 X 1.75, Ni	1	
17	1005292	(000000-009999)	Bracket Wldt, Mtg, Eng, Gas / Lpg	1	
18	39810	(000000-009999)	Screw, Hex, .50-13 X 1.25, 5	4	
19	51176	(000000-009999)	Isolator, Vib, Dia .50	2	
20	06943	(000000-009999)	Screw, Hex, M 6 X 1.0 X 20, 8.8	1	
21	41140	(000000-009999)	Washer, Lock, Int-Ext, .25	2	
22	32490	(000000-009999)	Washer, Flat, 0.25 Std	1	
23	07790	(000000-009999)	Nut, Hex, Flng, M06 X 1.0	1	
24	21197	(000000-009999)	Screw, Hex, .38-16 X 1.00, 5	1	
25	32485	(000000-009999)	Washer, Flat, .38 Sae	1	
26	57773	(000000-009999)	Wire Assy, 06Ga 13.0L Blk .41H/.41H	1	
▽	27	377180	(000000-009999)	Engine Assy, Gas [Gm, 1.6l] (See Engine Breakdown)	1
▲	28	371972	(000000-009999)	Filter, Oil	1
	29	371857	(000000-009999)	Fitting, Pipe, Str, Metric, Pm14/Pf04	1
	30	79399	(000000-009999)	Switch, Press, 12vdc 02a Dpdt N 0006psi	1
	31	371860	(000000-009999)	Fitting, Pipe, Plug, Metric, M18, Soc	1
	32	41359	(000000-009999)	Nut, Hex, Std, M06 X 1.0	1
	33	07791	(000000-009999)	Nut, Hex, Flng, M08 X 1.25	1
	34	72561	(000000-009999)	Hose, Fuel, 0.19id 20.0l	1
	35	371855	(000000-009999)	Hose, Hyd, 26.0l	1
	36	371876	(000000-009999)	Fitting, Hose End	2
	37	371887	(000000-009999)	Fitting, Elb, Sf06/Fm06	1
	38	371889	(000000-009999)	Fitting, Hyd, Str, Metric, Om14/Jm06	1
	39	371890	(000000-009999)	Fitting, Pipe, Plug	1
	40	1008934	(000000-009999)	Guard, Starter [Gm 1.6l]	1
	41	17414	(000000-009999)	Fitting, Pipe, Str, Pm04/Pf02	1
	42	372002	(000000-009999)	Sensor, Position, Cshft	1

STANDARD PARTS

Fig. 16 - Engine Group, Gasoline (010000-)

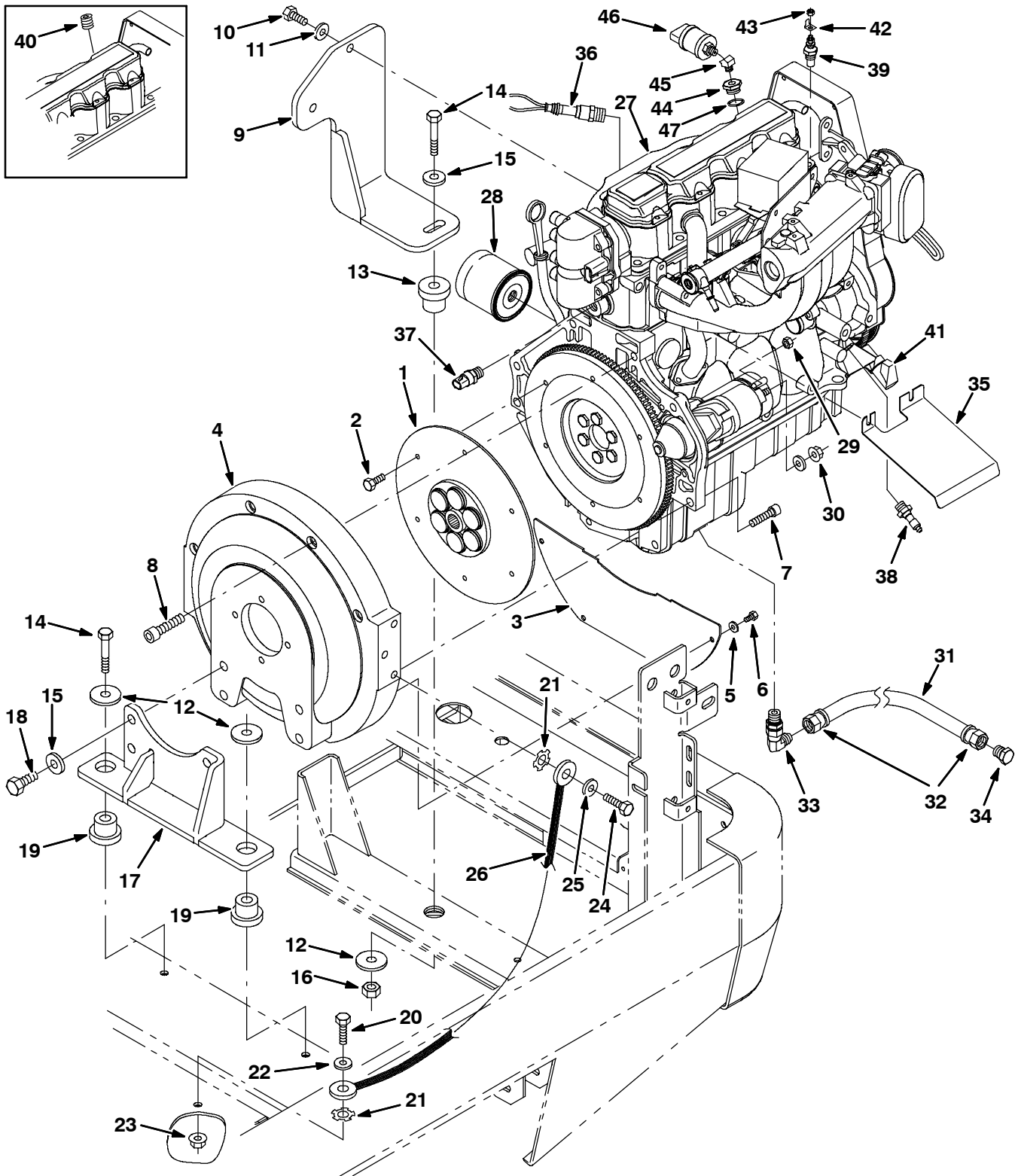


Fig. 16 - Engine Group, Gasoline (010000-)

Ref.	Part No.	Serial Number	Description	Qty.
1	371866	(010000-) Coupling, Drive, 13t	1
2	372554	(010000-) Screw, Hex, M7-1.0 X 23.0, 8.8	6
3	371868	(010000-) Cover, Hsng, Flywheel	1
4	371869	(010000-) Housing, Pump	1
5	32490	(010000-) Washer, Flat, 0.25 Std	4
6	19315	(010000-) Screw, Hex, .25-20 X 0.50, 5	4
7	10832	(010000-) Screw, Soc, .38-16 X 1.50, Al	2
8	371870	(010000-) Screw, Soc, M12 X 1.75 X 55, 10.9	4
9	1011353	(010000-) Mount Wldt, Eng, Gas / Lpg	1
10	39283	(010000-) Screw, Hex, M10 X 1.5 X 25, 8.8	2
11	32492	(010000-) Washer, Flat, 0.38 Std	2
12	04414	(010000-) Washer, 0.53b 1.88d .12, Stl, PI	6
13	51176	(010000-) Isolator, Vib, Dia .50	1
14	06972	(010000-) Screw, Hex, M12 X 1.75 X 60, 8.8	3
15	32493	(010000-) Washer, Flat, 0.50 Std	5
16	08711	(010000-) Nut, Hex, Lock, M12 X 1.75,NI	1
17	1011306	(010000-) Bracket Wldt, Mtg, Eng, Gas / Lpg	1
18	39810	(010000-) Screw, Hex, .50-13 X 1.25, 5	4
19	51176	(010000-) Isolator, Vib, Dia .50	2
20	06943	(010000-) Screw, Hex, M 6 X 1.0 X 20, 8.8	1
21	41140	(010000-) Washer, Lock, Int-Ext, .25	2
22	32490	(010000-) Washer, Flat, 0.25 Std	1
23	07790	(010000-) Nut, Hex, FIng, M06 X 1.0	1
24	21197	(010000-) Screw, Hex, .38-16 X 1.00, 5	1
25	32485	(010000-) Washer, Flat, .38 Sae	1
26	57773	(010000-) Wire Assy, 06Ga 13.0L Blk .41H/.41H	1
▽	27	372862	(010000-) Engine [Long Block Gm 1.6] (See Engine Breakdown)	1
▲	28	371972	(010000-) Filter, Oil	1
	29	41359	(010000-) Nut, Hex, Std, M6 X 1.0, 8	1
	30	07791	(010000-) Nut, Hex, FIng, M8 X 1.25	1
31	371855	(010000-) Hose, Hyd, 26.0l	1
32	371876	(010000-) Fitting, Hose End	2
33	372541	(010000-) Fitting, E90, M14 X .56	1
34	371890	(010000-) Fitting, Pipe, Plug	1
35	372556	(010000-) Shield, Starter [1.6l]	1
36	372491	(010000-014999)) Sensor, Oxygen	1
36	1028559	(015000-) Sensor, Oxygen	1
37	372953	(010000-) Sensor, Temp, Coolant	1
38	371996	(010000-) Switch, Indicator, Oil Press	1
39	1042028	(010000-) Sensor, Temp, Water [Rework For 1.6gm]	1
40	371860	(010000-014999)) Fitting, Pipe, Plug, Metric, M18, Soc	1
41	372002	(010000-) Sensor, Position, Cshft	1
42	68106	(010000-) Terminal, Tab, .25 .19h .84l	1
43	50335	(010000-) Nut, Hex, Std, M5 X 0.8, 8	1
44	1031439	(015000-) Fitting, Pipe, Bshg, M18 X 1.5	1
45	24976	(015000-) Fitting, Brs, E45, Pf02/Pm02	1
46	79399	(015000-) Switch, Press, Dpdt 0006psi	1
47	385029	(015000-) Gasket, Plug, Relief Valve,Oil Press	1

Fig. 17 - Engine Group, LPG (00000-009999)

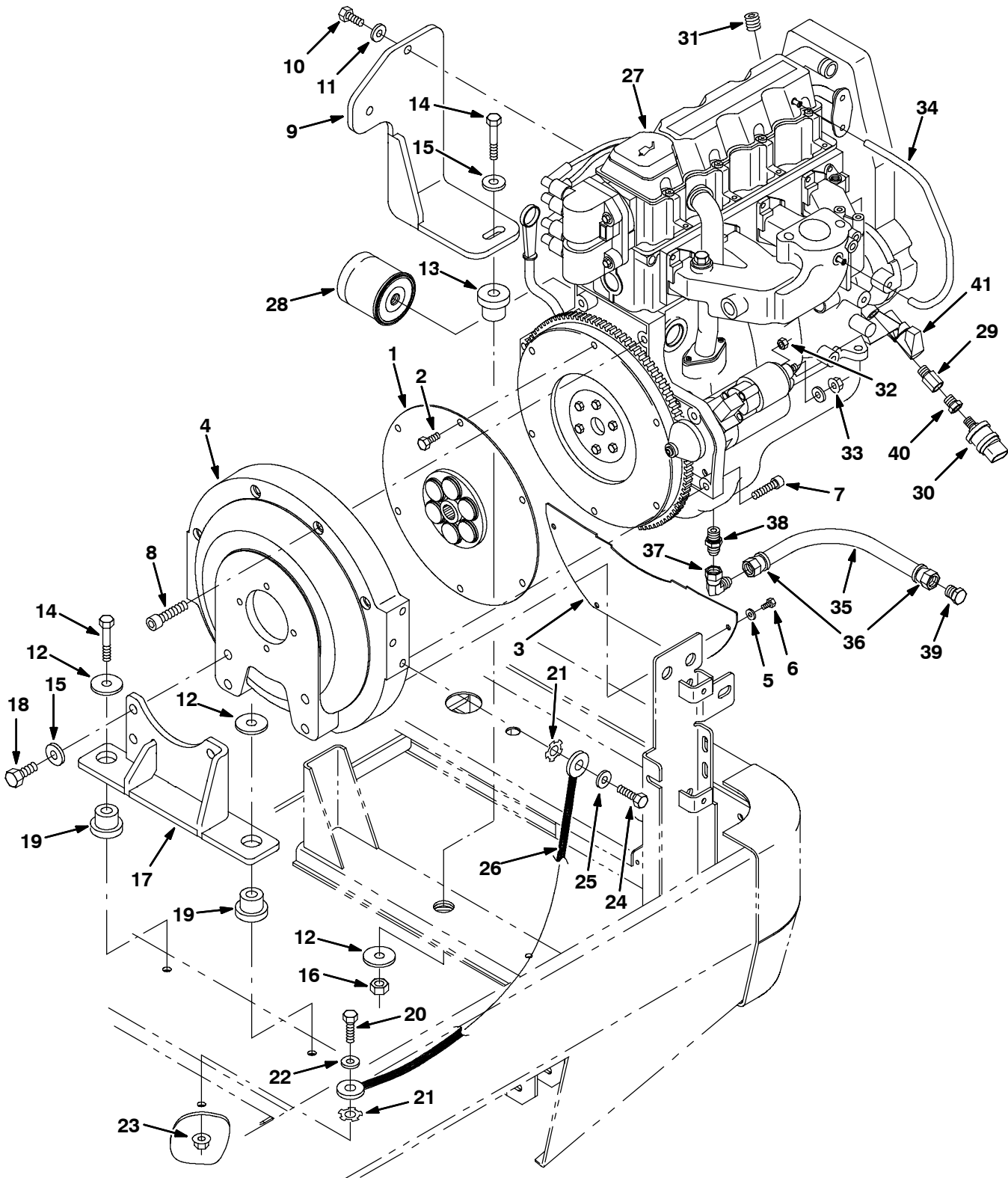


Fig. 17 - Engine Group, LPG (000000-009999)

Ref.	Part No.	Serial Number	Description	Qty.	
1	371866	(000000-009999)	Coupling, Drive, 13t	1	
2	371867	(000000-009999)	Bolt, M07 - 1.0	6	
3	371868	(000000-009999)	Cover, Hsng, Flywheel	1	
4	371869	(000000-009999)	Housing, Pump	1	
5	32483	(000000-009999)	Washer, Flat, 0.25 Sae	4	
6	19315	(000000-009999)	Screw, Hex, .25-20 X 0.50, 5	4	
7	10832	(000000-009999)	Screw, Soc, .38-16 X 1.50, Al	2	
8	371870	(000000-009999)	Screw, Soc, M12 X 1.75 X 55, 10.9	4	
9	1005563	(000000-009999)	Mount Wldt, Eng, Gas / Lpg	1	
10	39283	(000000-009999)	Screw, Hex, M10 X 1.5 X 25, 8.8	2	
11	32492	(000000-009999)	Washer, Flat, 0.38 Std	2	
12	04414	(000000-009999)	Washer, 0.53b 1.88d .12, Stl, PI	6	
13	51176	(000000-009999)	Isolator, Vib, Dia .50	1	
14	06972	(000000-009999)	Screw, Hex, M12 X 1.75 X 60, 8.8	3	
15	32493	(000000-009999)	Washer, Flat, 0.50 Std	5	
16	08711	(000000-009999)	Nut, Hex, Lock, M12 X 1.75, Ni	1	
17	1005292	(000000-009999)	Bracket Wldt, Mtg, Eng, Gas / Lpg	1	
18	39810	(000000-009999)	Screw, Hex, .50-13 X 1.25, 5	4	
19	51176	(000000-009999)	Isolator, Vib, Dia .50	2	
20	06943	(000000-009999)	Screw, Hex, M 6 X 1.0 X 20, 8.8	1	
21	41140	(000000-009999)	Washer, Lock, Int-Ext, .25	2	
22	32490	(000000-009999)	Washer, Flat, 0.25 Std	1	
23	07790	(000000-009999)	Nut, Hex, FIng, M06 X 1.0	1	
24	21197	(000000-009999)	Screw, Hex, .38-16 X 1.00, 5	1	
25	32485	(000000-009999)	Washer, Flat, .38 Sae	1	
26	57773	(000000-009999)	Wire Assy, 06Ga 13.0L Blk .41H/.41H	1	
▽	27	377181	(000000-009999)	Engine Assy, Lpg [Gm, 1.6l] (See Engine Breakdown)	1
▲	28	371972	(000000-009999)	Filter, Oil	1
	29	371857	(000000-009999)	Fitting, Pipe, Str, Metric, Pm14/Pf04	1
	30	79399	(000000-009999)	Switch, Press, 12vdc 02a Dpdt N 0006psi	1
	31	371860	(000000-009999)	Fitting, Pipe, Plug, Metric, M18, Soc	1
	32	41359	(000000-009999)	Nut, Hex, Std, M06 X 1.0	1
	33	07791	(000000-009999)	Nut, Hex, FIng, M08 X 1.25	1
	34	72561	(000000-009999)	Hose, Fuel, 0.19id 20.0l	1
	35	371855	(000000-009999)	Hose, Hyd, 26.0l	1
	36	371876	(000000-009999)	Fitting, Hose End	2
	37	371887	(000000-009999)	Fitting, Elb, Sf06/Fm06	1
	38	371889	(000000-009999)	Fitting, Hyd, Str, Metric, Om14/Jm06	1
	39	371890	(000000-009999)	Fitting, Pipe, Plug	1
	40	17414	(000000-009999)	Fitting, Pipe, Str, Pm04/Pf02	1
	41	372002	(000000-009999)	Sensor, Position, Cshft	1

STANDARD PARTS

Fig. 18 - Engine Group, LPG (010000-)

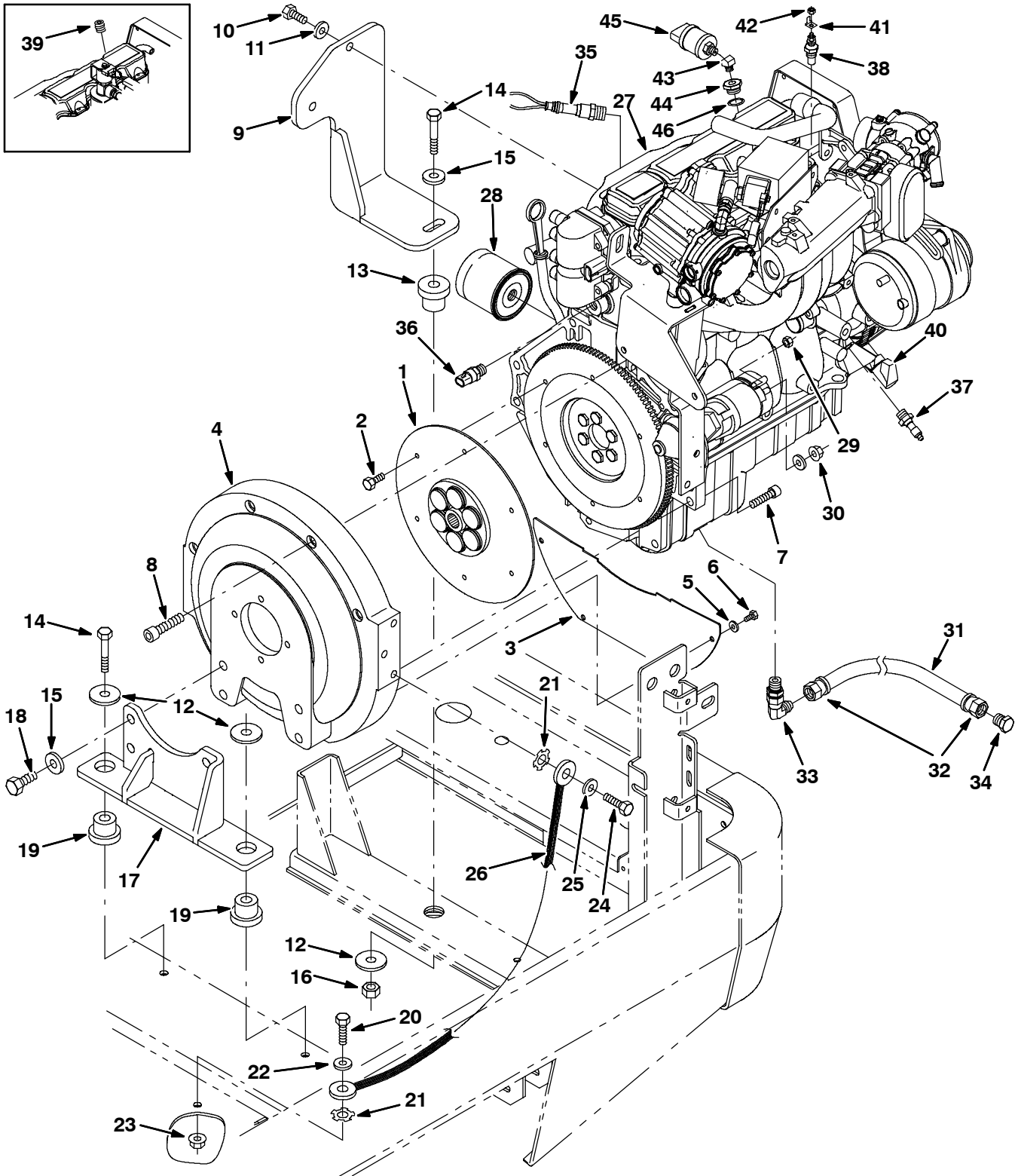


Fig. 18 - Engine Group, LPG (010000-)

Ref.	Part No.	Serial Number	Description	Qty.
1	371866	(010000-) Coupling, Drive, 13t	1
2	372554	(010000-) Screw, Hex, M7-1.0 X 23.0, 8.8	6
3	371868	(010000-) Cover, Hsng, Flywheel	1
4	371869	(010000-) Housing, Pump	1
5	32490	(010000-) Washer, Flat, 0.25 Std	4
6	19315	(010000-) Screw, Hex, .25-20 X 0.50, 5	4
7	10832	(010000-) Screw, Soc, .38-16 X 1.50, Al	2
8	371870	(010000-) Screw, Soc, M12 X 1.75 X 55, 10.9	4
9	1011353	(010000-) Mount Wldt, Eng, Gas / Lpg	1
10	39283	(010000-) Screw, Hex, M10 X 1.5 X 25, 8.8	2
11	32492	(010000-) Washer, Flat, 0.38 Std	2
12	04414	(010000-) Washer, 0.53b 1.88d .12, Stl, PI	6
13	51176	(010000-) Isolator, Vib, Dia .50	1
14	06972	(010000-) Screw, Hex, M12 X 1.75 X 60, 8.8	3
15	32493	(010000-) Washer, Flat, 0.50 Std	5
16	08711	(010000-) Nut, Hex, Lock, M12 X 1.75,NI	1
17	1011306	(010000-) Bracket Wldt, Mtg, Eng, Gas / Lpg	1
18	39810	(010000-) Screw, Hex, .50-13 X 1.25, 5	4
19	51176	(010000-) Isolator, Vib, Dia .50	2
20	06943	(010000-) Screw, Hex, M 6 X 1.0 X 20, 8.8	1
21	41140	(010000-) Washer, Lock, Int-Ext, .25	2
22	32490	(010000-) Washer, Flat, 0.25 Std	1
23	07790	(010000-) Nut, Hex, FIng, M06 X 1.0	1
24	21197	(010000-) Screw, Hex, .38-16 X 1.00, 5	1
25	32485	(010000-) Washer, Flat, .38 Sae	1
26	57773	(010000-) Wire Assy, 06Ga 13.0L Blk .41H/.41H	1
▽	27	372862	(010000-) Engine [Long Block Gm 1.6] (See Engine Breakdown)	1
▲	28	371972	(010000-) Filter, Oil	1
29	41359	(010000-) Nut, Hex, Std, M6 X 1.0, 8	1
30	07791	(010000-) Nut, Hex, FIng, M8 X 1.25	1
31	371855	(010000-) Hose, Hyd, 26.0l	1
32	371876	(010000-) Fitting, Hose End	2
33	372541	(010000-) Fitting, E90, M14 X .56	1
34	371890	(010000-) Fitting, Pipe, Plug	1
35	372491	(010000-014999)) Sensor, Oxygen	1
35	1028559	(015000-) Sensor, Oxygen	1
36	372953	(010000-) Sensor, Temp, Coolant	1
37	371996	(010000-) Switch, Indicator, Oil Press	1
38	1042028	(010000-) Sensor, Temp, Water [Rework For 1.6gm]	1
39	371860	(010000-014999)) Fitting, Pipe, Plug, Metric, M18, Soc	1
40	372002	(010000-) Sensor, Position, Cshft	1
41	68106	(010000-) Terminal, Tab, .25 .19h .84l	1
42	50335	(010000-) Nut, Hex, Std, M5 X 0.8, 8	1
43	1031439	(015000-) Fitting, Pipe, Bshg, M18 X 1.5	1
44	24976	(015000-) Fitting, Brs, E45, Pf02/Pm02	1
45	79399	(015000-) Switch, Press, Dpdt 0006psi	1
46	385029	(015000-) Gasket, Plug, Relief Valve, Oil Press	1

Fig. 19 - Engine EFI Group, Gasoline (000000-009999)

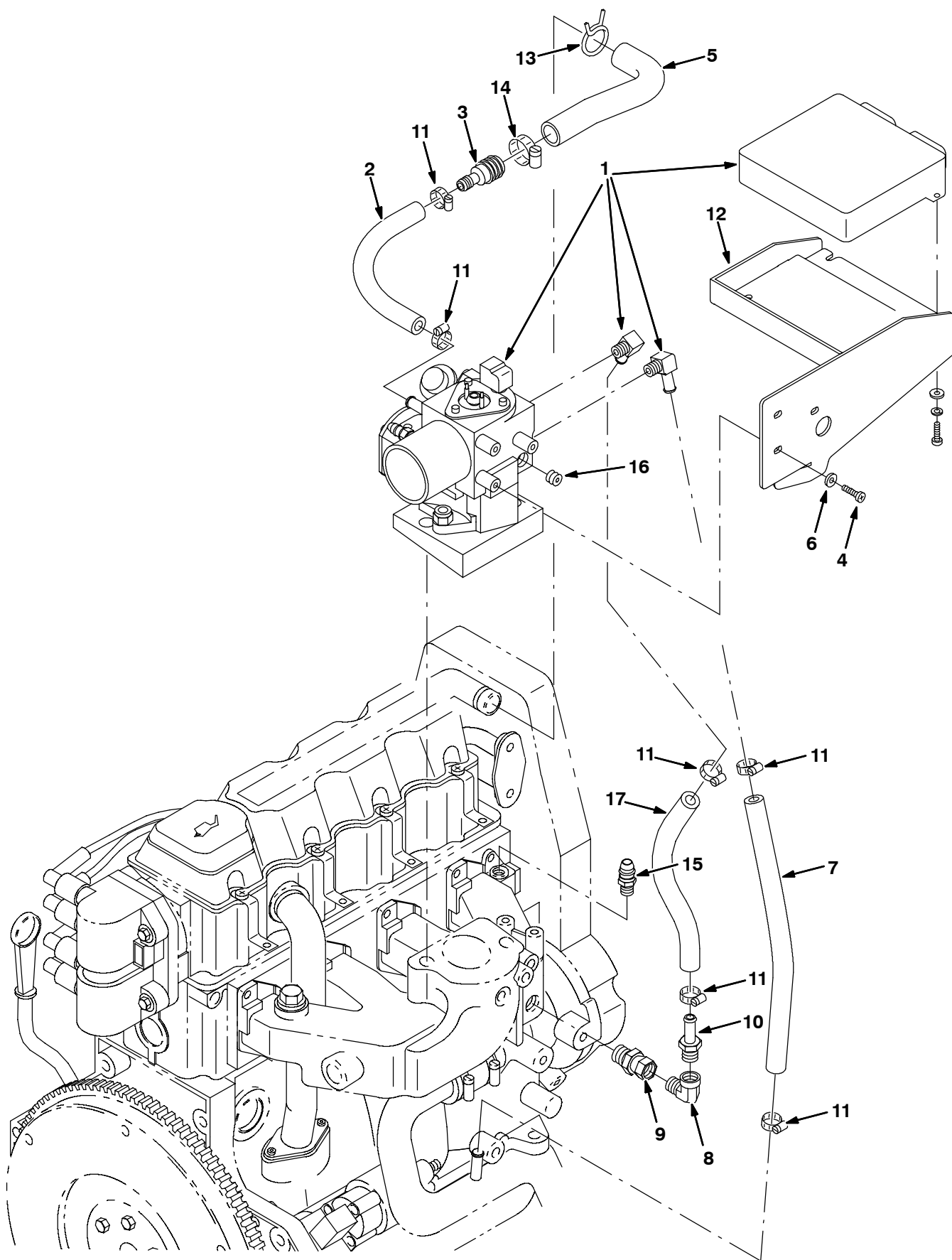


Fig. 19 - Engine EFI Group, Gasoline (000000-009999)

Ref.	Part No.	Serial Number	Description	Qty.
1	371909	(000000-009999)	Housing Assy, Throttle, Gas, [With Ecu] (See Breakdowns)	1
	371910	(000000-009999)	Housing Assy, Throttle, Gas, [W/O Ecu] (See Breakdowns)	1
2	76589-2	(000000-009999)	Hose, Rbr, 0.38id 0.62od 12.0l	2
3	371763	(000000-009999)	Fitting, Hose	1
4	39239	(000000-009999)	Screw, Pan, #10-32 X 0.50, 2	3
5	371862	(000000-009999)	Hose, Vent	1
6	19066	(000000-009999)	Washer, Flt, #10	3
7	70876	(000000-009999)	Hose, Rbr, 0.38id 0.62od 21.0l	1
8	371878	(000000-009999)	Fitting, Pipe, E90, Pm04/Pf04, Nptf	1
9	371879	(000000-009999)	Fitting, Adaptor, 37f Swivel, M12-1.5	1
10	371880	(000000-009999)	Fitting, Brs, Str, Bm06/Pm04	1
11	54333	(000000-009999)	Clamp, Hose, Wormdrive, 0.31-0.88d	6
12	1006657	(000000-009999)	Bracket Wldt, Controller [Gas/Lpg]	1
13	371854	(000000-009999)	Clamp, Spring, 1.50	1
14	63810	(000000-009999)	Clamp, Hose, Wormdrive, 0.56-1.06d	1
15	371764	(000000-009999)	Sensor, Water Temp	1
16	10552	(000000-009999)	Fitting, Pipe, Plug, Pm02 Soc Head	1
17	76589-2	(000000-009999)	Hose, Rbr, 0.38id 0.62od 12.0l	1

Fig. 20 - Engine EFI Group, Gasoline (010000-014999)

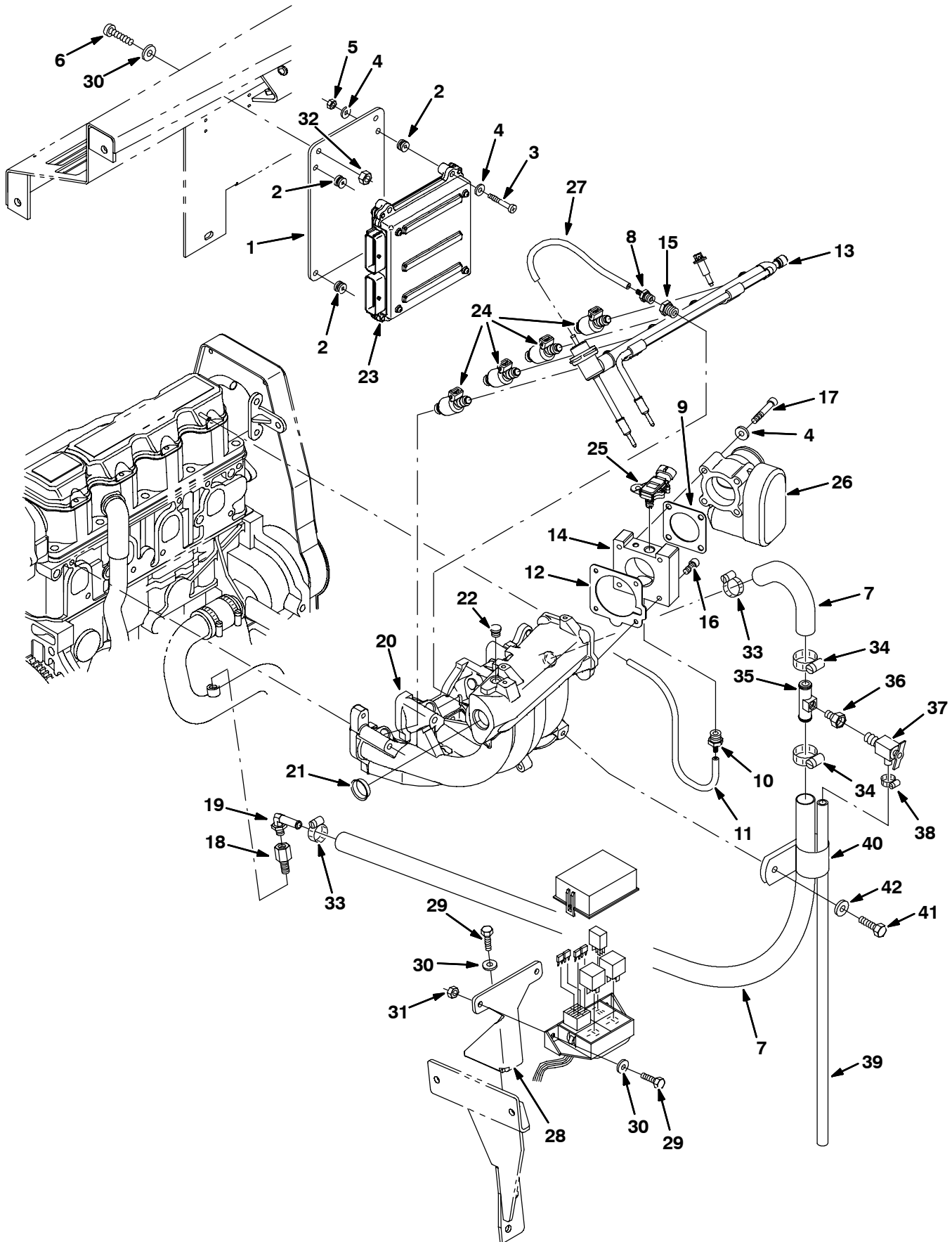


Fig. 20 - Engine EFI Group, Gasoline (010000-014999)

Ref.	Part No.	Serial Number	Description	Qty.
1	1014369	(010000-014999)	Bracket, Mtg [Ecm 6650]	1
2	01574	(010000-014999)	Grommet, Rbr, 0.19id, F/ 0.3h, .19matl	4
3	06938	(010000-014999)	Screw, Pan, M5 X 0.8 X 40, 4.8	4
4	32490	(010000-014999)	Washer, Flat, 0.25 Std	8
5	06549	(010000-014999)	Nut, Hex, Lock, M5 X 0.8, NI	4
6	06942	(010000-014999)	Screw, Hex, M6X1.0X16, 8.8	2
7	1015897	(010000-014999)	Hose, Radiator, Mold, .75id X .62id	2
8	372542	(010000-014999)	Fitting, Str, .12mpt X .19brb	1
9	372545	(010000-014999)	Gasket, Body, Throttle [1.6l]	1
10	372543	(010000-014999)	Fitting, Cacuum, M16-15-6h	1
11	372489	(010000-014999)	Hose, 9.5mm X 450mm [Pcv]	1
12	372544	(010000-014999)	Gasket, Manifold, Intake	1
13	372566	(010000-014999)	Rail, Injector, Gas, W/ Press Reg	1
14	372534	(010000-014999)	Adapter, Intake, Throttle Body	1
15	372537	(010000-014999)	Bushing, M6-1.50 X .25-27npt	1
16	06532	(010000-014999)	Screw, Soc, M6 X 1.0 X 25, 12.9	4
17	07255	(010000-014999)	Screw, Soc, M6 X 1.0 X 45, 12.9	4
18	1015547	(010000-014999)	Fitting, Adapter, Orifice, Pm06pf06	1
19	51839	(010000-014999)	Fitting, Brs, E90, Em10/Pm06	1
20	372547	(010000-014999)	Manifold, Intake [1.6l]	1
21	372549	(010000-014999)	Plug, Manifold, Intake	1
22	372550	(010000-014999)	Plug, Port, Sensor [Map]	1
23	372858	(010000-014999)	Module, Ecu, Gas [Gm 1.6L]	1
24	372563	(010000-014999)	Injector Kit, Fuel, Gas	4
25	372493	(010000-014999)	Sensor, [Tmap]	1
26	372482	(010000-014999)	Housing, Throttle, 40mm [Bosch]	1
27	372546	(010000-014999)	Hose, Fuel, .19	1
28	1014251	(010000-014999)	Bracket, Relay, Box	1
29	06943	(010000-014999)	Screw, Hex, M6 X 1.0 X 20, 8.8	4
30	32483	(010000-014999)	Washer, Flat, 0.25 Sae	6
31	08708	(010000-014999)	Nut, Hex, Lock, M6 X 1.0, NI	2
32	07790	(010000-014999)	Nut, Hex, Flng, M6X1.0	2
33	372539	(010000-014999)	Clamp, Hose, 1.0	2
34	63810	(010000-014999)	Clamp, Hose, Wormdrive, 0.56-1.06d	2
35	83578	(010000-014999)	Tube, Air Bleed, .62d 2.2l .12npt Alum	1
36	1015930	(010000-014999)	Fitting, Brs, Str, Pm02/Pf04	1
37	51305	(010000-014999)	Fitting, Draincock, .25npt 90	1
38	43844	(010000-014999)	Clamp, Hose, Wormdrive, 0.25-0.62d	1
39	73471	(010000-014999)	Hose, Pvc, Clr, 0.38id 0.56od 22.00l	1
40	58366	(010000-014999)	Clamp, Cable, Stl, 1.25DX1.00W, 1H	1
41	16735	(010000-014999)	Screw, Hex, M8X1.25X16, 8.8	1
42	39349	(010000-014999)	Washer, Flat, 0.31 Sae	1

Fig. 21 - Engine EFI Group, Gasoline (015000-)

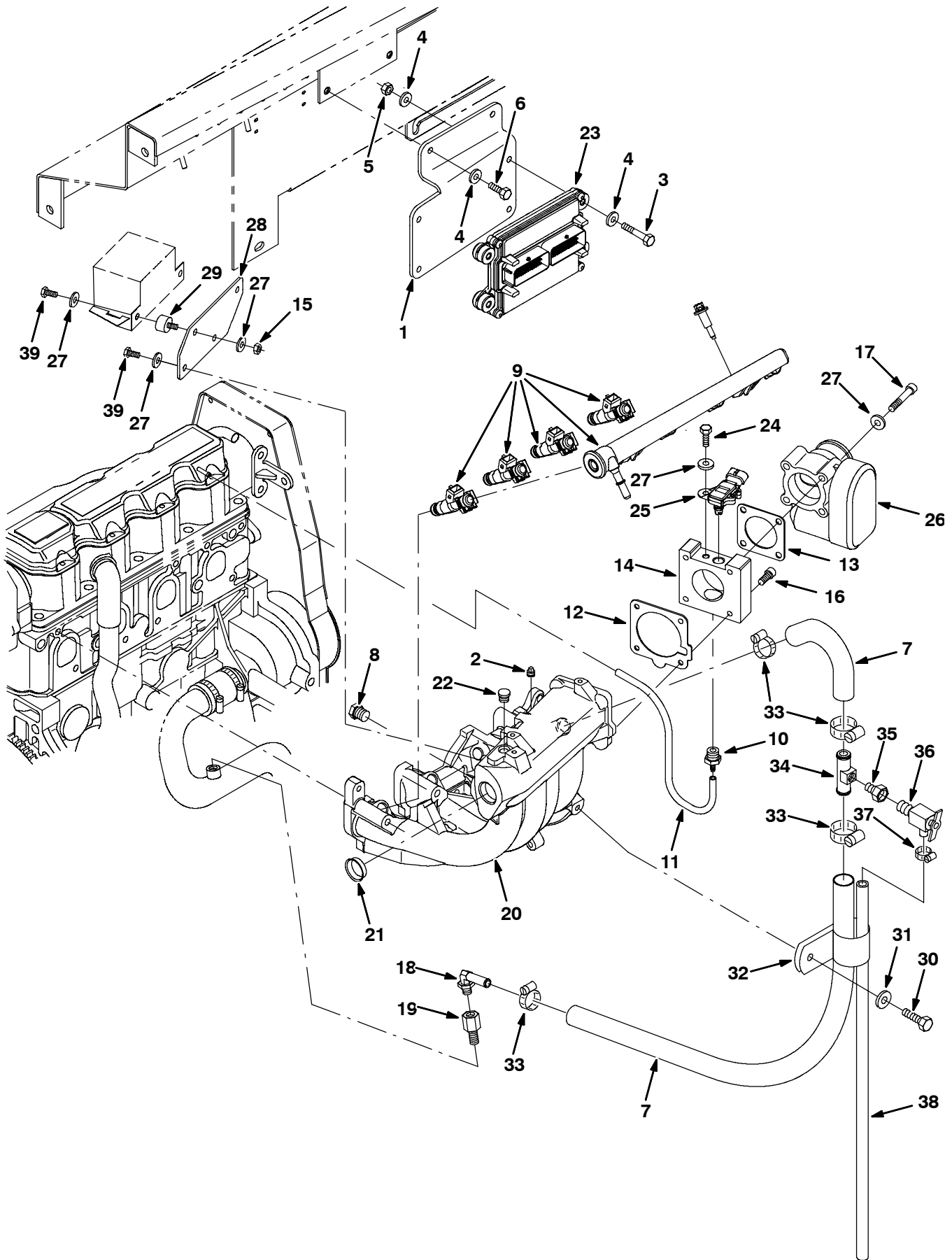


Fig. 21 - Engine EFI Group, Gasoline (015000-)

Ref.	Part No.	Serial Number	Description	Qty.
1	1032087	(015000-) Plate, Mtg, Ecu	1
2	372548	(015000-) Plug, .12npt, Ss	1
3	06946	(015000-) Screw, Hex, M6 X 1.0 X 35, 8.8	4
4	32483	(015000-) Washer, Flat, 0.25 Sae	10
5	08708	(015000-) Nut, Hex, Lock, M6 X 1.0, NI	4
6	06942	(015000-) Screw, Hex, M6 X 1.0 X 16, 8.8	2
7	1022364	(015000-) Hose, Heater	1
8	384995	(015000-) Fitting, Plug, M16, Intake Manifold	1
9	384992	(015000-) Rail, Injector, Fuel, Plstc	1
10	372543	(015000-) Fitting, Vacuum, M16-15-6h	1
11	372607	(015000-) Hose, 9.5mm X 290mm [Pcv]	1
▽	9003390	(015000-) Gasket Kit, Repair, Gas [Gm1.6l 2007]	1
▲	12 372544	(015000-) Gasket, Manifold, Intake	1
▲	13 372545	(015000-) Gasket, Body, Throttle [1.6l]	1
14	372534	(015000-) Adapter, Intake, Throttle Body	1
15	19312	(015000-) Nut, Hex, Std, .25-20	4
16	06532	(015000-) Screw, Soc, M6 X 1.0 X 25, 12.9	4
17	07255	(015000-) Screw, Soc, M6 X 1.0 X 45, 12.9	4
18	1015547	(015000-) Fitting, Adapter, Orifice, Pm06pf06	1
19	51839	(015000-) Fitting, Brs, E90, Em10/Pm06	1
20	372547	(015000-) Manifold, Intake [1.6l]	1
21	372549	(015000-) Plug, Manifold, Intake	1
22	372550	(015000-) Plug, Port, Sensor [Map]	1
23	1028711	(015000-) Module, Ecu, Gas [Gm, 1.6l 2007]	1
24	19317	(015000-) Screw, Hex, .25-20 X 0.75, 5	1
25	384985	(015000-) Sensor, [Tmap]	1
26	384974	(015000-) Housing, Throttle, 40mm [Bosch]	1
27	32490	(015000-) Washer, Flat, 0.25, Std	11
28	1031312	(015000-) Plate, Mtg, Relay	1
29	372470	(015000-) Isolator, Box, Relay	2
30	16735	(015000-) Screw, Hex, M8X1.25X16, 8.8	1
31	39349	(015000-) Washer, Flat, 0.31 Sae	1
32	58366	(015000-) Clamp, Cable, Stl, 1.25d X 1.00w, 1h	2
33	63810	(015000-) Clamp, Hose, Wormdrive, 0.56-1.06d	4
34	83578	(015000-) Tube, Air Bleed, .62d 2.2l .12npt Alum	1
35	1015930	(015000-) Fitting, Brs, Str, Pm02/Pf04	1
36	51305	(015000-) Fitting, Draincock, .25npt 90	1
37	43844	(015000-) Clamp, Hose, Wormdrive, 0.25-0.62d	1
38	73471	(015000-) Hose, Pvc, Clr, 0.38id 0.56od 22.00l	1
39	19315	(015000-) Screw, Hex, .25-20 X 0.50, 5	4

STANDARD PARTS

Fig. 22 - Engine EFI and Vaporizer Group, LPG (000000-009999 version 1)

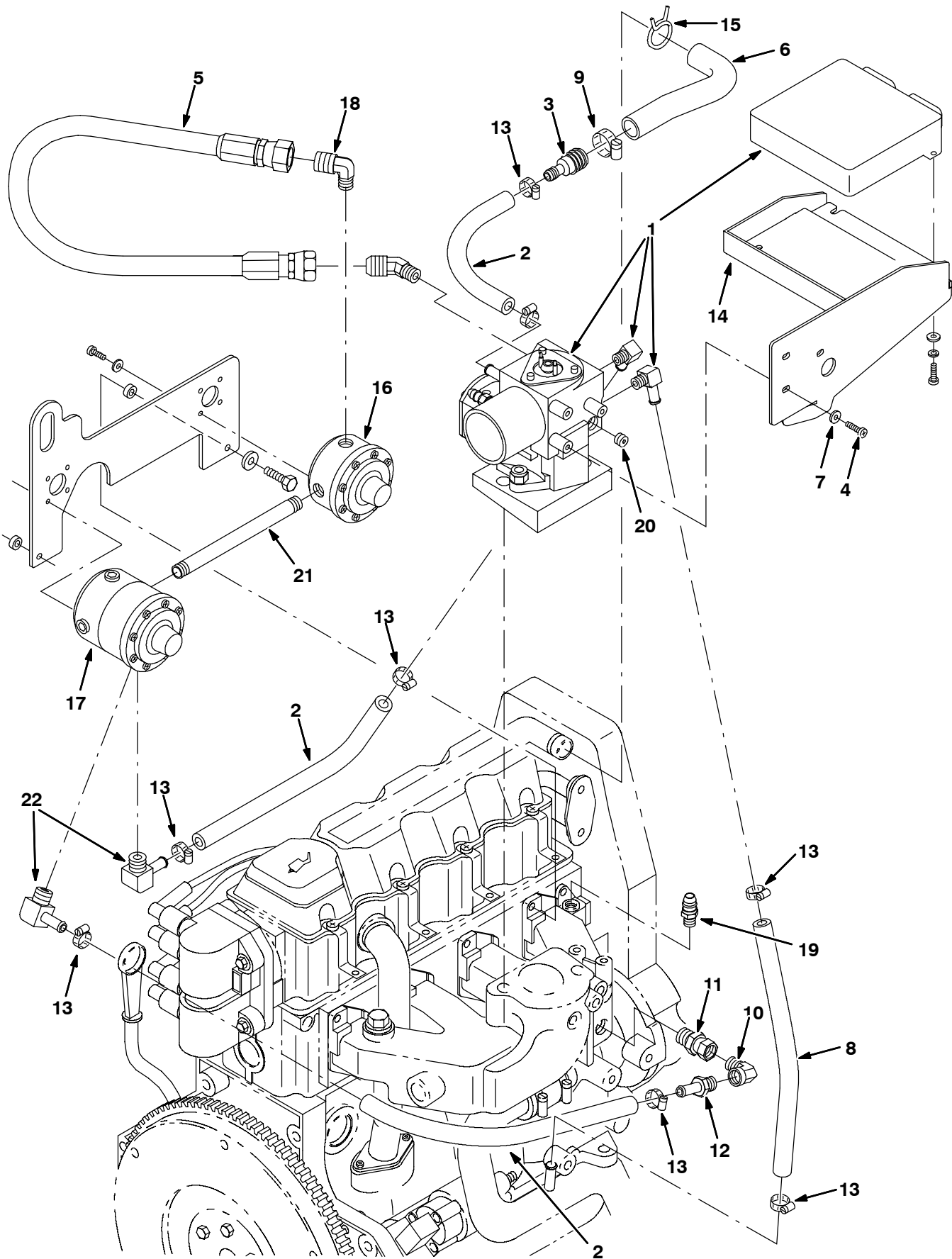


Fig. 22 - Engine EFI and Vaporizer Group, LPG (000000-009999 version 1)

NOTE: Repair parts in this serial number range are identified in Fig. 22 or Fig. 23.

Ref.	Part No.	Serial Number	Description	Qty.
1	371916	(000000-009999)	Housing Assy, Throttle, Lpg, [With Ecu] (See Breakdowns)	1
	371917	(000000-009999)	Housing Assy, Throttle, Lpg, [W/O Ecu] (See Breakdowns)	1
2	76589-2	(000000-009999)	Hose, Rbr, 0.38id 0.62od 12.0l	3
3	371763	(000000-009999)	Fitting, Hose	1
4	39239	(000000-009999)	Screw, Pan, #10-32 X 0.50, 2	3
5	1042840	(000000-009999)	Hose, Lpg, Med08, Jf08str/Jf08str, 20.0l	1
6	371862	(000000-009999)	Hose, Vent	1
7	19066	(000000-009999)	Washer, Flt, #10	3
8	70876	(000000-009999)	Hose, Rbr, 0.38id 0.62od 21.0l	1
9	63810	(000000-009999)	Clamp, Hose, Wormdrive, 0.56-1.06d	1
10	371878	(000000-009999)	Fitting, Pipe, E90, Pm04/Pf04, Nptf	1
11	371879	(000000-009999)	Fitting, Adaptor, 37f Swivel, M12-1.5	1
12	371880	(000000-009999)	Fitting, Brs, Str, Bm06/Pm04	1
13	54333	(000000-009999)	Clamp, Hose, Wormdrive, 0.31-0.88d	8
14	1006657	(000000-009999)	Bracket Wldt, Controller [Gas/LPG]	1
15	371854	(000000-009999)	Clamp, Spring, 1.50	1
16	371919	(000000-009999)	Regulator Assy, Secondary, Lpg, 12psi	1
17	371920	(000000-009999)	Vaporizer, Reg, Primary, 13.5psi	1
18	372068	(000000-009999)	Fitting, Hyd, E90	1
19	371764	(000000-009999)	Sensor, Water Temp	1
20	10552	(000000-009999)	Fitting, Pipe, Plug, Pm02 Soc Head	1
21	371675	(000000-009999)	Hose Assy, Primary To Secondary, Lpg	1
22	9000354	(000000-009999)	Fitting, Brs, E90, Em06/Pm04	2

STANDARD PARTS

Fig. 23 - Engine EFI and Vaporizer Group, LPG (000000-009999 version 2)

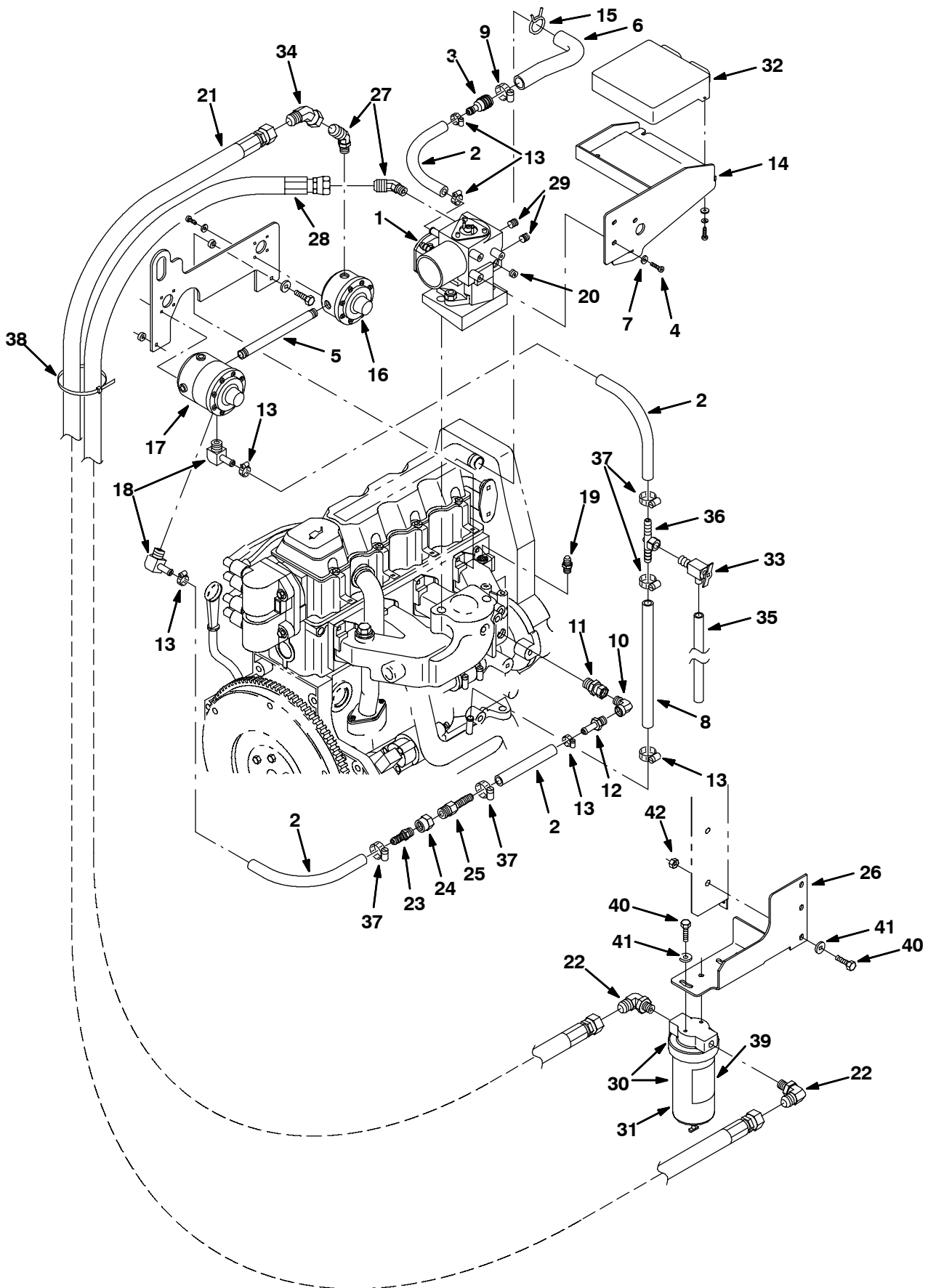


Fig. 23 - Engine EFI and Vaporizer Group, LPG (000000-009999 version 2)

NOTE: Repair parts in this serial number range are identified in Fig. 22 or Fig. 23.

Ref.	Part No.	Serial Number	Description	Qty.	
1	371916	(000000-009999)	Housing Assy, Throttle, Lpg, [With Ecu] (See Breakdowns)	1	
	371917	(000000-009999)	Housing Assy, Throttle, Lpg, [W/O Ecu] (See Breakdowns)	1	
2	76589-2	(000000-009999)	Hose, Rbr, 0.38id 0.62od 12.0l	3	
3	371763	(000000-009999)	Fitting, Hose	1	
4	39239	(000000-009999)	Screw, Pan, #10-32 X 0.50, 2	3	
5	371675	(000000-009999)	Hose Assy, Primary To Secondary, Lpg	1	
6	371862	(000000-009999)	Hose, Vent	1	
7	19066	(000000-009999)	Washer, Flt, #10	3	
8	70876	(000000-009999)	Hose, Rbr, 0.38id 0.62od 21.0l	1	
9	63810	(000000-009999)	Clamp, Hose, Wormdrive, 0.56-1.06d	1	
10	371878	(000000-009999)	Fitting, Pipe, E90, Pm04/Pf04, Nptf	1	
11	371879	(000000-009999)	Fitting, Adaptor, 37f Swivel, M12-1.5	1	
12	371880	(000000-009999)	Fitting, Brs, Str, Bm06/Pm04	1	
13	54333	(000000-009999)	Clamp, Hose, Wormdrive, 0.31-0.88d	8	
14	1006657	(000000-009999)	Bracket Wldt, Controller [Gas/LPG]	1	
15	371854	(000000-009999)	Clamp, Spring, 1.50	1	
16	371919	(000000-009999)	Regulator Assy, Secondary, Lpg, 12psi	1	
17	371920	(000000-009999)	Vaporizer, Reg, Primary, 13.5psi	1	
18	9000354	(000000-009999)	Fitting, Brs, E90, Em06/Pm04	2	
19	371764	(000000-009999)	Sensor, Water Temp	1	
20	10552	(000000-009999)	Fitting, Pipe, Plug, Pm02 Soc Head	1	
21	1017477	(000000-009999)	Hose, Lpg, Med08, Jf08str/Jf08str , 37.5	1	
22	1017272	(000000-009999)	Fitting, Hyd, E90, Jm08/Pm04	2	
23	150516	(000000-009999)	Fitting, Brs, Str, Bm06/Pm04	1	
24	1017239	(000000-009999)	Fitting, Brs, Rst, Pf04/.69-16f, .063	1	
25	1017598	(000000-009999)	Fitting, Plstc, Str, Bm06/M.69-16	1	
26	1017080	(000000-009999)	Bracket, Fltr, Lpg [6600]	1	
27	1017432	(000000-009999)	Fitting, Hyd, E45, Jm04/Pm08	2	
28	1017476	(000000-009999)	Hose, Lpg, Med08, Jf08str/Jf08str , 35.0	1	
29	10552	(000000-009999)	Fitting, Pipe, Plug, Pm02 Soc Head	1	
▽	30	1017500	(000000-009999)	Filter, Fuel, Lpg [Coalescent]	1
▲	31	372937	(000000-009999)	Element, Fltr, Fuel, Lpg [Coalescent]	1
	32	9000886	(000000-009999)	Controlbox Kit, Replmt	1
	33	51305	(000000-009999)	Fitting, Draincock, .25npt 90	1
	34	07797	(000000-009999)	Fitting, Hyd, E45, Jf08/Jm08	1
	35	68301	(000000-009999)	Hose, Pvc, Clr, 0.38id 0.56od 27.00l	1
	36	1017197	(000000-009999)	Fitting, Plstc, Tee, Bm06/Pf04/Bm06 Nyl	1
	37	11399	(000000-009999)	Clamp, Hose, Wormdrive, 0.81-1.50d, .56w	6
	38	130041	(000000-009999)	Tie, Cable, Nyl, 11.5l .19w	6
	39	1017662	(000000-009999)	Label, Instr, Fltr Drain	1
	40	19317	(000000-009999)	Screw, Hex, .25-20 X 0.75, 5	4
	41	29570	(000000-009999)	Washer, Flat, 0.28b 1.00d .06, Stl	4
	42	19312	(000000-009999)	Nut, Hex, Std, .25-20	2

STANDARD PARTS

Fig. 24 - Engine EFI and Vaporizer Group, LPG (010000-014999)

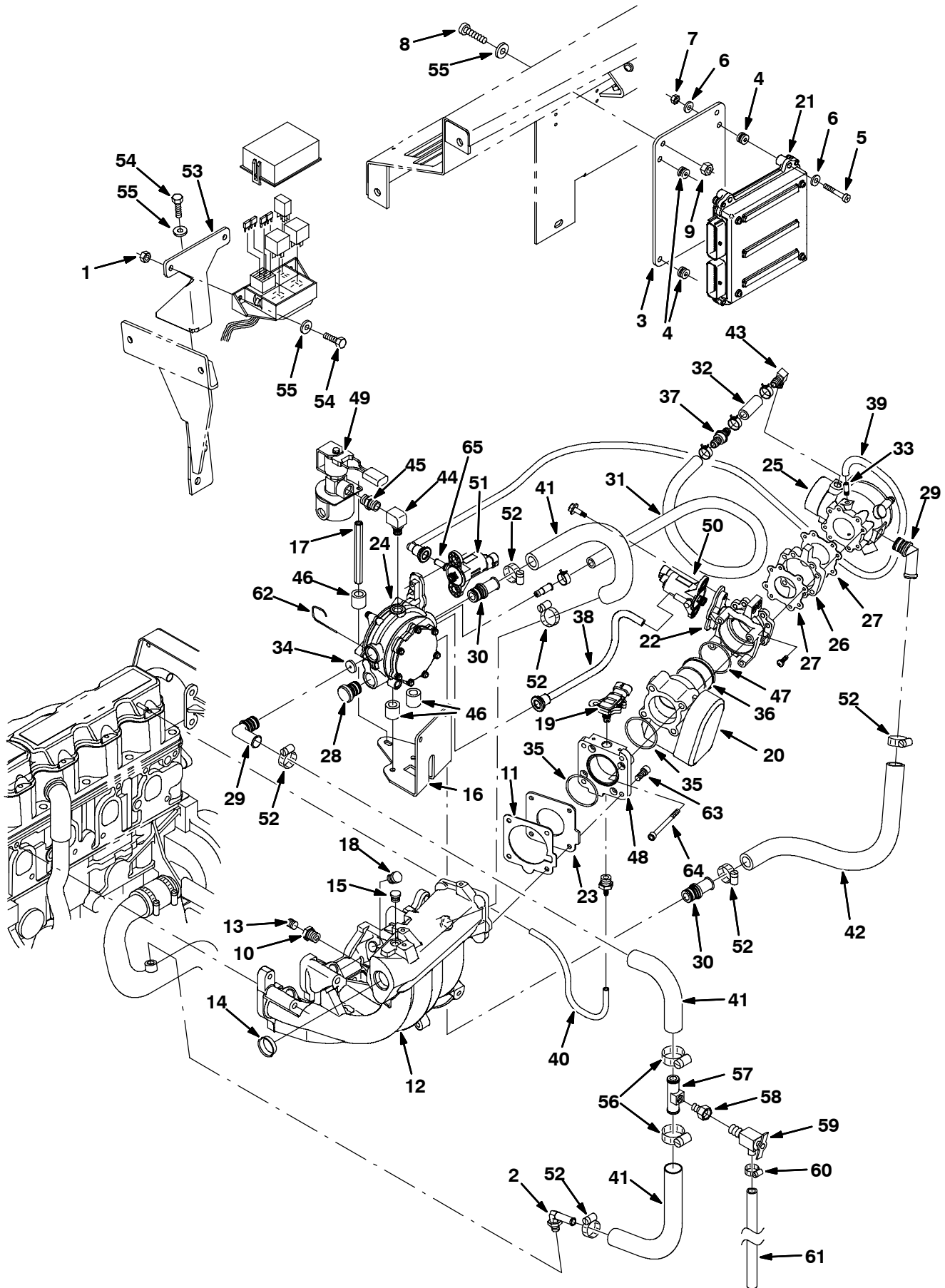


Fig. 24 - Engine EFI and Vaporizer Group, LPG (010000-014999)

Ref.	Part No.	Serial Number	Description	Qty.
1	08708	(010000-014999)	Nut, Hex, Lock, M6 X 1.0, NI	1
2	51839	(010000-014999)	Fitting, Brs, E90, Em10/Pm06	1
3	1014369	(010000-014999)	Bracket, Mtg [Ecm 6600]	1
4	01574	(010000-014999)	Grommet, Rbr, 0.19id, F/ 0.3h, .19matl	4
5	06938	(010000-014999)	Screw, Pan, M5 X 0.8 X 40, 4.8	4
6	32490	(010000-014999)	Washer, Flat, 0.25 Std	8
7	06549	(010000-014999)	Nut, Hex, Lock, M 5 X 0.8, NI	4
8	06942	(010000-014999)	Screw, Hex, M6X1.0X16, 8.8	2
9	07790	(010000-014999)	Nut, Hex, Flng, M6X1.0	2
10	372537	(010000-014999)	Bushing, M6-1.50 X .25-27npt	1
11	372544	(010000-014999)	Gasket, Manifold, Intake	1
12	372547	(010000-014999)	Manifold, Intake [1.6l]	1
13	372548	(010000-014999)	Plug, .12npt, Ss	1
14	372549	(010000-014999)	Plug, Manifold, Intake	1
15	372550	(010000-014999)	Plug, Port, Sensor [Map]	1
16	372576	(010000-014999)	Bracket, Reg [1.6l]	1
17	372577	(010000-014999)	Spacer, Sppt, Filter Lock Off	1
18	372579	(010000-014999)	Plug, Hole, Injector	1 4
19	372493	(010000-014999)	Sensor, [Tmap]	1
20	372482	(010000-014999)	Housing, Throttle, 40mm [Bosch]	1
21	372857	(010000-014999)	Module, Ecu, Lpg [Gm 1.6L]	1
22	372580	(010000-014999)	Adaptor, Valve, Fuel Trim	1
23	372582	(010000-014999)	Adaptor, Plate	1
24	372500	(010000-014999)	Converter, Lpg	1
25	372898	(010000-014999)	Mixer, Lpg [Gm 1.6L]	1
26	372612	(010000-014999)	Adaptor, Throttle Body	1
27	372608	(010000-014999)	Gasket, Adaptor	2
28	372515	(010000-014999)	Fitting, Cap	1
29	372512	(010000-014999)	Fitting, E70	2
30	372514	(010000-014999)	Fitting, Str	2
31	372506	(010000-014999)	Hose, Balancing, Press, 680mm	1
32	372507	(010000-014999)	Hose, Balancing, Press, 45mm	1
33	372511	(010000-014999)	Fitting, Hose, Vacuum, .25	1
34	372517	(010000-014999)	Restrictor, Jet, Coolant	1
35	372484	(010000-014999)	Seal, Org	1
36	372498	(010000-014999)	Sleeve, Throttle [Bosch], Plstc	1
37	372569	(010000-014999)	Valve, Check	1
38	372609	(010000-014999)	Hose, 170mm [Ftv-ptv]	1
39	372605	(010000-014999)	Hose, Valve, Press Trim, 350mm	1
40	372607	(010000-014999)	Hose, 9.5mm X 290mm [Pcv]	1
41	372528	(010000-014999)	Hose, Molded	1
42	372606	(010000-014999)	Hose, 355mm [Fl-vrp]	1
43	372510	(010000-014999)	Fitting, E90	1
44	372611	(010000-014999)	Fitting, Str, E90, .25npt	1
45	372610	(010000-014999)	Fitting, Nipple, .25npt, Brs	1

STANDARD PARTS**Fig. 24 - Engine EFI and Vaporizer Group, LPG (010000-014999)**

Ref.	Part No.	Serial Number	Description	Qty.	
46	372518	(010000-014999)	Isolator Kit, Mtg, Vaporizer, Rbr	3	
47	372613	(010000-014999)	Seal, Org, Throttle Body	1	
48	372558	(010000-014999)	Adaptor [1.6]	1	
▽	49	372502	(010000-014999)	Filter, Lpg	1
▲		372615	(010000-014999)	Filter Kit, Lock Off, Lpg	1
50	372501	(010000-014999)	Valve, Trim, Fuel, Normal Flow	1	
51	372497	(010000-014999)	Valve, Body, Throttle, Lpg	1	
52	63810	(010000-014999)	Clamp, Hose, Wormdrive, 0.56-1.06d	6	
53	1014251	(010000-014999)	Bracket, Relay, Box	1	
54	06943	(010000-014999)	Screw, Hex, M6 X 1.0 X 20, 8.8	4	
55	32483	(010000-014999)	Washer, Flat, 0.25 Sae	6	
56	63810	(010000-014999)	Clamp, Hose, Wormdrive, 0.56-1.06d	2	
57	83578	(010000-014999)	Tube, Air Bleed, .62d 2.2l .12npt Alum	1	
58	1015930	(010000-014999)	Fitting, Brs, Str, Pm02/Pf04	1	
59	51305	(010000-014999)	Fitting, Draincock, .25npt 90	1	
60	43844	(010000-014999)	Clamp, Hose, Wormdrive, 0.25-0.62d	1	
61	73471	(010000-014999)	Hose, Pvc, Clr, 0.38id 0.56od 22.00l	1	
62	372523	(010000-014999)	Pin, Retainer	5	
63	9003045	(010000-014999)	Screw, Hex	4	
64	9003047	(010000-014999)	Screw, Soc	4	
65	9004539	(025000-029999)	Clamp, Valve, Trim [Impco]	1	

STANDARD PARTS

Fig. 25 - Engine EFI and Vaporizer Group, LPG (015000-)

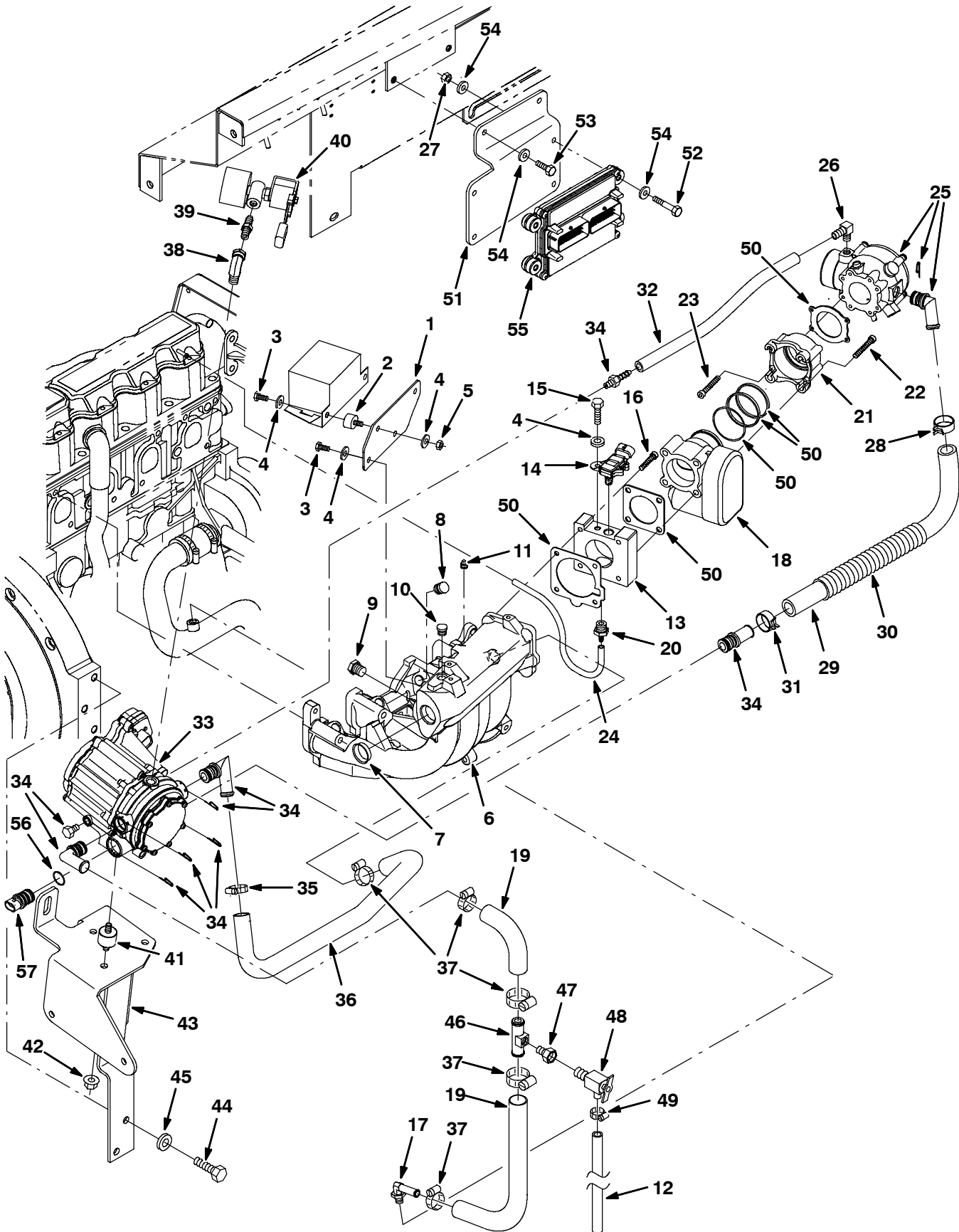


Fig. 25 - Engine EFI and Vaporizer Group, LPG (015000-)

Ref.	Part No.	Serial Number	Description	Qty.	
1	1031312	(015000-) Plate, Mtg, Relay	1	
2	372470	(015000-) Isolator, Box, Relay	2	
3	19315	(015000-) Screw, Hex, .25-20 X 0.50, G5	4	
4	32490	(015000-) Washer, Flat, 0.25, Std	7	
5	19312	(015000-) Nut, Hex, Std, .25-20	2	
6	372547	(015000-) Manifold, Intake [1.6l]	1	
7	372549	(015000-) Plug, Manifold, Intake	1	
8	372579	(015000-) Plug, Hole, Injector	4	
9	384995	(015000-) Fitting, Plug, M16, Intake Manifold	1	
10	372550	(015000-) Plug, Port, Sensor [Map]	1	
11	372548	(015000-) Plug, .12npt, Ss	1	
12	73471	(015000-) Hose, Pvc, Clr, 0.38id 0.56od 022.0l	1	
13	372534	(015000-) Adapter, Intake, Throttle Body	1	
14	384985	(015000-) Sensor [T Map]	1	
15	19317	(015000-) Screw, Hex, .25-20 X 0.75, G5	1	
16	06532	(015000-) Screw, Soc, M6 X 1.00 X 25, 12.9	4	
17	51839	(015000-) Fitting, Brs, E90, Em10/Pm06	1	
18	384974	(015000-) Housing, Throttle, 40Mm [Bosch]	1	
19	372528	(015000-) Hose, Mold, .62 To .75	1	
20	372543	(015000-) Fitting, Vacuum [M16-15-6h]	1	
21	384996	(015000-) Adapter, Valve, 400Mm [Bosch]	1	
22	09037	(015000-) Screw, Soc, M8 X 1.25 X 70, 12.9	4	
23	384991	(015000-) Bolt, Soc Head, M5 X 80 X 35	4	
24	372607	(015000-) Hose, 9.5mm X 290mm [Pcv]	1	
25	384980	(015000-) Mixer, W/70 Deg Ftg	1	
26	384976	(015000-) Fitting, E90	1	
27	08708	(015000-) Nut, Hex, Lock, M6 X 1.00, NI	4	
28	384970	(015000-) Clamp, Hose, Spring, 0.75D	1	
29	384983	(015000-) Hose [Mixer to Epr]	1	
30	384971	(015000-) Cover, Hose	1	
31	384979	(015000-) Clamp, Hose, Spring, 0.62D	1	
32	384973	(015000-) Hose, Supply, Gas, .25ld	1	
33	384977	(015000-) Regulator [Ep]	1	
34	384978	(015000-) Fitting Kit [Epr]	1	
35	372539	(015000-) Clamp, Hose, 1.0	1	
36	384984	(015000-) Hose [Epr To Manifold]	1	
37	63810	(015000-) Clamp, Hose, Wormdrive, 0.56-1.06d, .56w	5	
38	11442-1	(015000-) Fitting, Hyd, E90, Spcl	1	
39	372529	(015000-) Fitting, Nipple, .25mal	1	
▽	40	384975	(015000-) Valve, Lock Off	1
▲	372615	(015000-) Filter Kit, Lock Off, Lpg	1	
41	384986	(015000-) Isolator [Epr]	3	
42	07791	(015000-) Nut, Hex, Flng, M8 X 1.25	3	
43	1028343	(015000-) Bracket Wldt, Mtg, Regulator, Lpg	1	
44	371770	(015000-) Screw	2	
45	371877	(015000-) Washer, Flat, 0.38, Hardened	2	
46	83578	(015000-) Tube, Bleed, Air, .62od 2.2l .12npt, Alm	1	
47	1015930	(015000-) Fitting, Brs, Str, Pf04/Pm02	1	

STANDARD PARTS

Fig. 25 - Engine EFI and Vaporizer Group, LPG (015000-)

Ref.	Part No.	Serial Number	Description	Qty.
48	51305	(015000-) Fitting, Draincock, E90, .25npt	1
49	43844	(015000-) Clamp, Hose, Wormdrive, 0.25-0.62d, .31w	1
50	9003391	(015000-) Gasket Kit, Repair, Lpg [Gm1.6l 2007]	1
51	1032087	(015000-) Plate, Mtg, Ecu	1
52	06946	(015000-) Screw, Hex, M6 X 1.0 X 35, 8.8	4
53	06942	(015000-) Screw, Hex, M6 X 1.0 X 16, 8.8	2
54	32483	(015000-) Washer, Flat, 0.25, Sae	10
55	1028722	(015000-) Module, Ecu, Lpg [Gm1.6l 2007]	1
56	1041151	(030000-) Seal, Org, Sensor, Temp [Epr]	1
57	1041152	(030000-) Sensor, Temp [Epr]	1

Fig. 26 - Engine Air Cleaner Group (000000-009999)

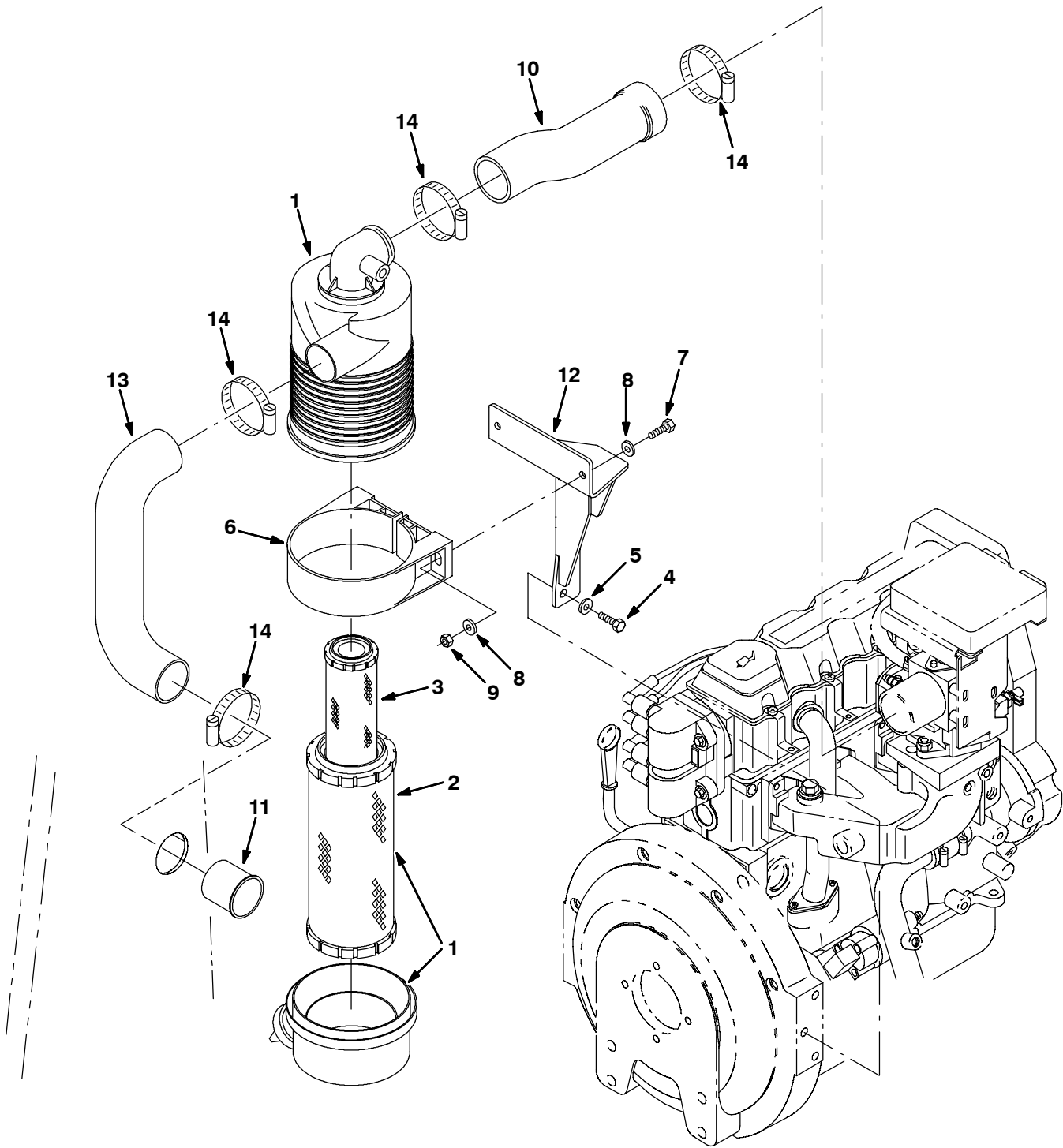


Fig. 26 - Engine Air Cleaner Group (000000-009999)

Ref.	Part No.	Serial Number	Description	Qty.
▽	1	369745	(000000-009999) Filter, Assy, Air	1
▲	2	369746	(000000-009999) Element, Fltr, Air	1
	3	398279	(000000-009999) Element, Fltr, Air, Safety	1
	4	21197	(000000-009999) Screw, Hex, .38-16 X 1.00, 5	2
	5	32492	(000000-009999) Washer, Flat, 0.38 Std	2
	6	369747	(000000-009999) Clamp, Mtg, Filter, Air	1
	7	39277	(000000-009999) Screw, Hex, M 8 X 1.25 X 25, 8.8	2
	8	32491	(000000-009999) Washer, Flat, 0.31 Std	4
	9	08709	(000000-009999) Nut, Hex, Lock, M 8 X 1.25 NI	2
	10	1007450	(000000-009999) Hose, Intake, Mold, 2.00id 2.25id [Epdm]	1
	11	58346	(000000-009999) Tube, Intake, 2.0d 02.0l Flange	1
	12	1007168	(000000-009999) Bracket Wldt, Mtg, Air-Clnr, Gas/Lpg	1
	13	1007455	(000000-009999) Hose, Intake, Mold, E90 E90 2.0id 2.0id	1
	14	14432	(000000-009999) Clamp, Hose, Wormdrive, 1.81-2.75D	4

STANDARD PARTS

Fig. 27 - Engine Air Cleaner Group, Gasoline (010000-)

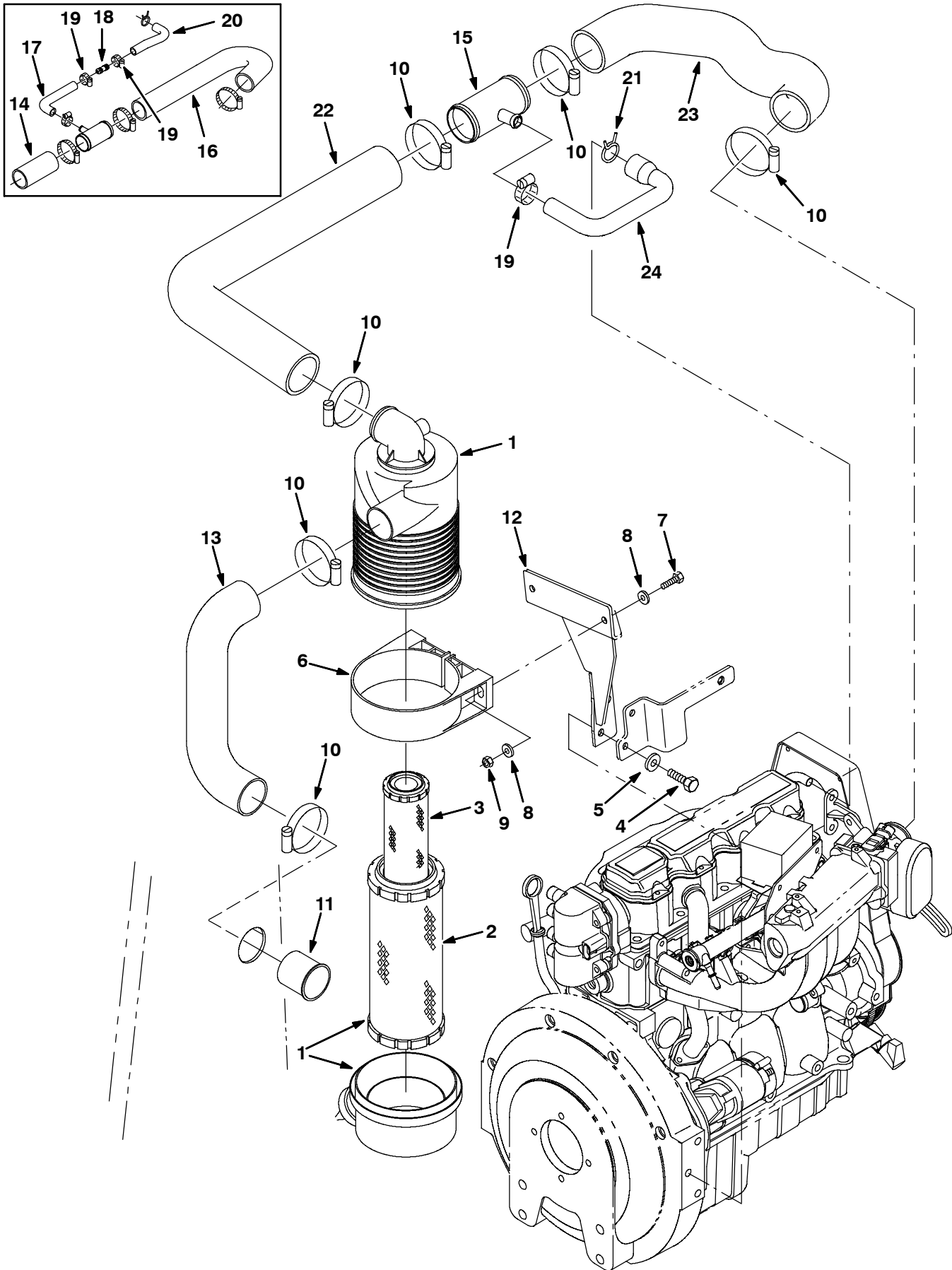


Fig. 27 - Engine Air Cleaner Group, Gasoline (010000-)

Ref.	Part No.	Serial Number	Description	Qty.
▽	1	369745	(010000-) Filter, Assy, Air	1
▲	2	369746	(010000-) Element, Fltr, Air	1
	3	398279	(010000-) Element, Fltr, Air, Safety	1
	4	21197	(010000-) Screw, Hex, .38-16 X 1.00, 5	2
	5	32485	(010000-) Washer, Flat, 0.38 Sae	2
	6	369747	(010000-) Clamp, Mtg, Filter, Air	1
	7	76570	(010000-) Screw, Hex, M8 X 1.25 X 30, 8.8	2
	8	32491	(010000-) Washer, Flat, 0.31 Std	4
	9	08709	(010000-) Nut, Hex, Lock, M 8 X 1.25 NI	2
	10	14432	(010000-) Clamp, Hose, Wormdrive, 1.81-2.75d	6
	11	58346	(010000-) Tube, Intake, 2.0d 02.0l Flange	1
	12	1014034	(010000-) Bracket Wldt, Mtg, Air-Clnr, Gas/Lpg	1
	13	1007455	(010000-) Hose, Intake, Mold, E90 E90 2.0id 2.0id	1
	14	15543-2	(010000-014999) Hose, Rbr, 2.00id 2.50od 05.0l	1
	15	1011780	(010000-) Tube Wldt, Tee	1
	16	1011314	(010000-014999) Hose, Intake, Mold, 2.0 Id [Epdm 7400]	1
	17	1013168	(010000-014999) Hose, Heater, E90, 0.62id 05.5 2.0	1
	18	365164	(010000-014999) Fitting, Plstc, Str, Bm10/Bm10	1
	19	63810	(010000-) Clamp, Hose, Wormdrive, 0.56-1.06d	1
	20	371862	(010000-014999) Hose, Vent	1
	21	371854	(010000-) Clamp, Spring, 1.50	1
	22	1030518	(015000-) Hose, Intake, Mold, 2.00id [Epdm 07 6600]	1
	23	1031609	(015000-) Hose, Intake, Mold, 2.0id, Gas [Epdm 07]	1
	24	1032323	(015000-) Hose, Heater, E90, 0.62id [Gm1.6l 2007]	1

STANDARD PARTS

Fig. 28 - Engine Air Cleaner Group, LPG (010000-)

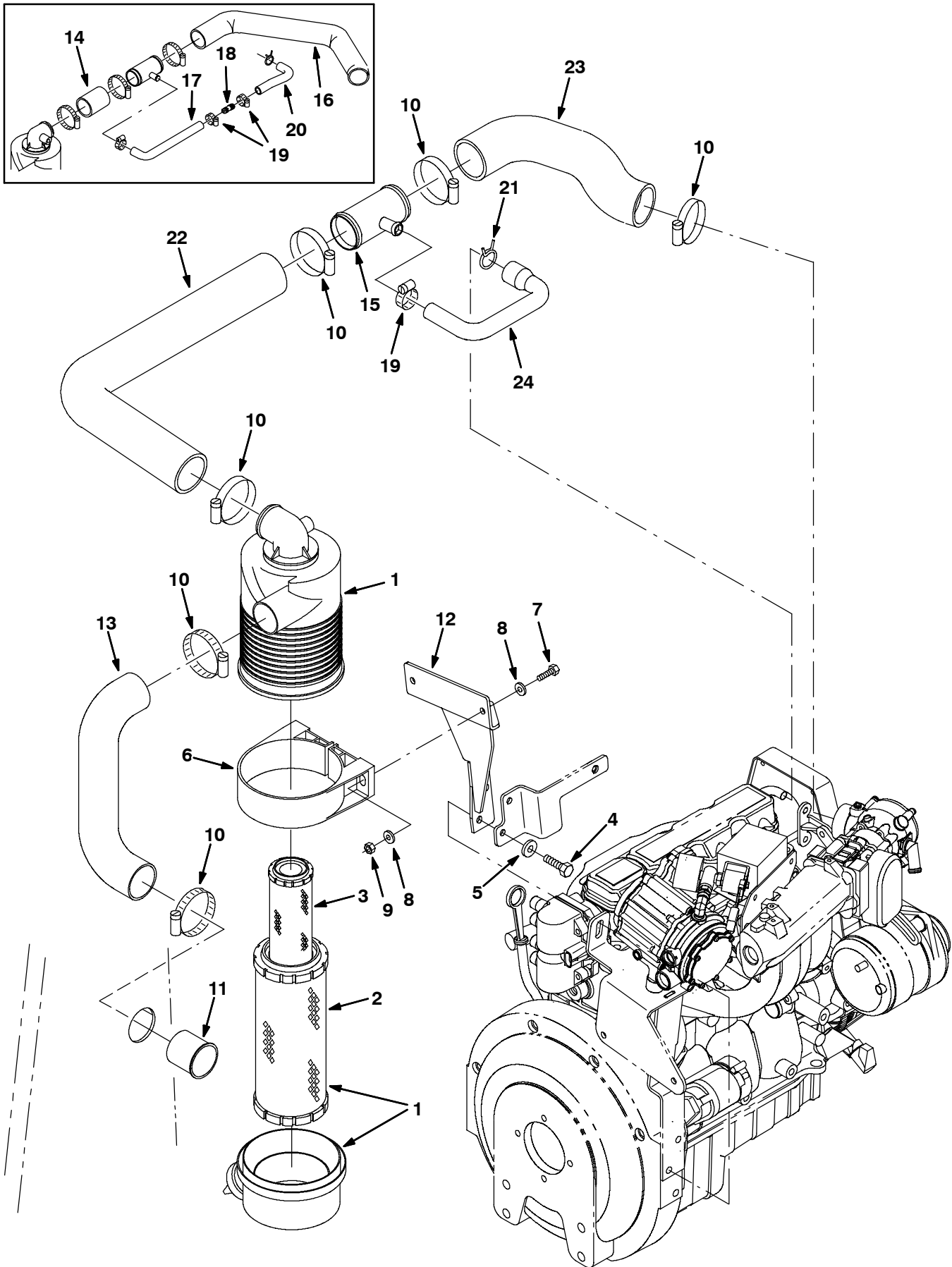


Fig. 28 - Engine Air Cleaner Group, LPG (010000-)

Ref.	Part No.	Serial Number	Description	Qty.
▽	1	369745	(010000-) Filter, Assy, Air	1
▲	2	369746	(010000-) Element, Fltr, Air	1
	3	398279	(010000-) Element, Fltr, Air, Safety	1
	4	21197	(010000-) Screw, Hex, .38-16 X 1.00, 5	2
	5	32485	(010000-) Washer, Flat, 0.38 Sae	2
	6	369747	(010000-) Clamp, Mtg, Filter, Air	1
	7	76570	(010000-) Screw, Hex, M8 X 1.25 X 30, 8.8	2
	8	32491	(010000-) Washer, Flat, 0.31 Std	4
	9	08709	(010000-) Nut, Hex, Lock, M 8 X 1.25 NI	2
	10	14432	(010000-) Clamp, Hose, Wormdrive, 1.81-2.75d	6
	11	58346	(010000-) Tube, Intake, 2.0d 02.0l Flange	1
	12	1014034	(010000-) Bracket Wldt, Mtg, Air-Clnr, Gas/Lpg	1
	13	1007455	(010000-) Hose, Intake, Mold, E90 E90 2.0id 2.0id	1
	14	15543	(010000-014999) Hose, Rbr, 2.00id 2.50od 03.0l	1
	15	1011780	(010000-) Tube Wldt, Tee	1
	16	1011743	(010000-014999) Hose, Intake, Mold, 2.0 Id [Epdm 6650]	1
	17	1014826	(010000-014999) Hose, Heater, E90, .62id 9.0 2.0	1
	18	365164	(010000-014999) Fitting, Plstc, Str, Bm10/Bm10	1
	19	63810	(010000-) Clamp, Hose, Wormdrive, 0.56-1.06d	1
	20	371862	(010000-014999) Hose, Vent	1
	21	371854	(010000-) Clamp, Spring, 1.50	1
	22	1030518	(015000-) Hose, Intake, Mold, 2.00id [Epdm 07 6600]	1
	23	1031553	(015000-) Hose, Intake, Mold, 2.0id, Lpg [Epdm 07]	1
	24	1032323	(015000-) Hose, Heater, E90, 0.62id [Gm1.6l 2007]	1

Fig. 29 - Engine Alternator and Engine Fan Group (00000-009999)

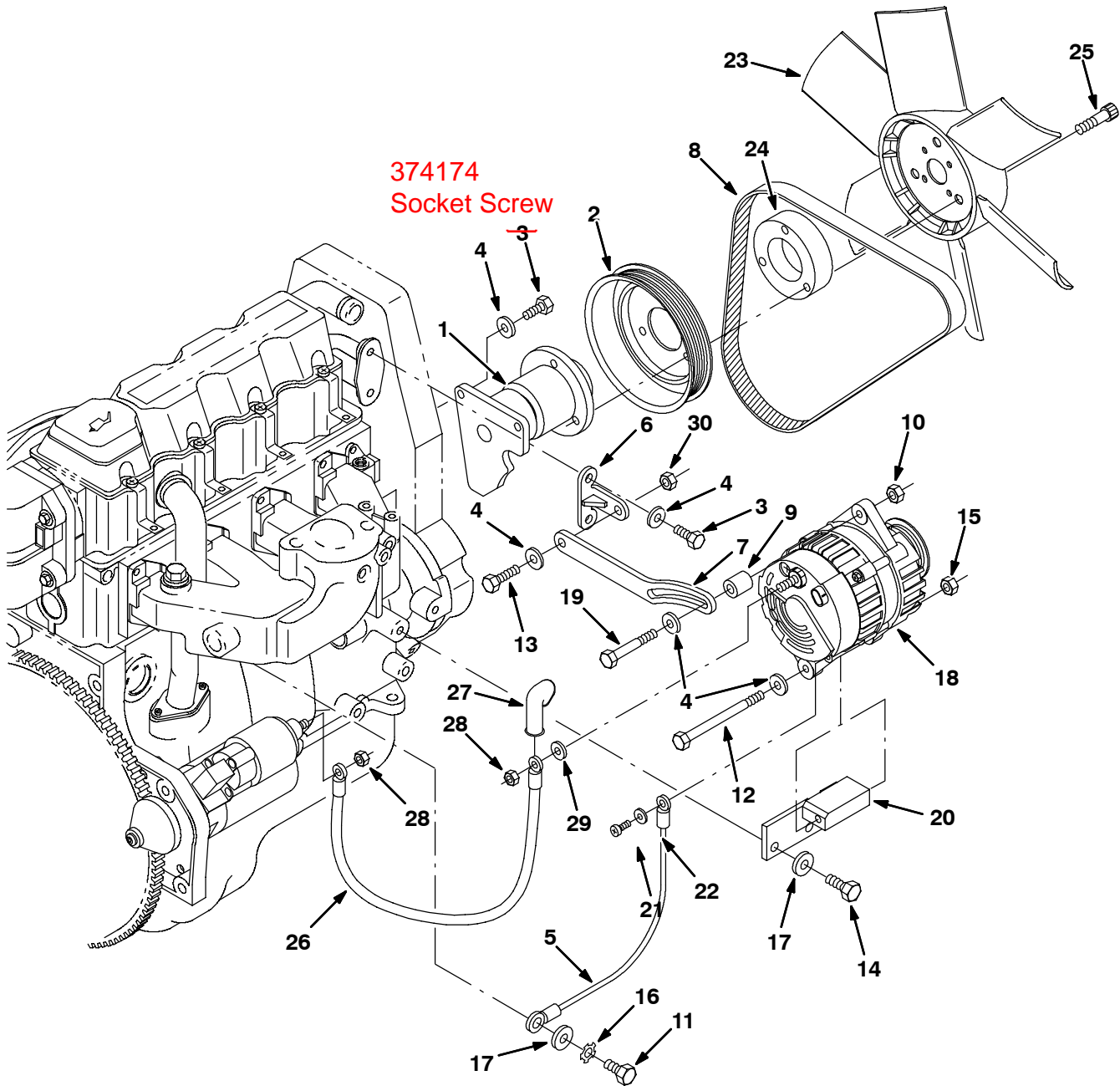


Fig. 29 - Engine Alternator and Engine Fan Group (000000-009999)

Ref.	Part No.	Serial Number	Description	Qty.
1	371863	(000000-009999)	Base Assy, Fan	1
2	371864	(000000-009999)	Pulley	1
3	16931	(000000-009999)	Screw, Hex, M 8 X 1.25 X 20, 8.8	4
4	371865	(000000-009999)	Washer, Flat, 0.31, Hardened	7
5	371527	(000000-009999)	Wire, Ground	1
6	371871	(000000-009999)	Bracket, Anchor, Strap, Alternator	1
7	371872	(000000-009999)	Strap, Adj, Alternator	1
8	371873	(000000-009999)	Belt, V, [6v] 39.0l	1
9	371874	(000000-009999)	Spacer, Strap, Adj, Alternator	1
10	39311	(000000-009999)	Nut, Hex, Std, M08 X 1.25	1
11	06960	(000000-009999)	Screw, Hex, M10 X 1.5 X 16, 8.8	1
12	364441	(000000-009999)	Screw, Hex, M 8 X 1.25 X 110, Ss	1
13	76958	(000000-009999)	Screw, Hex, .31-18 X 1.75, 5	1
14	39285	(000000-009999)	Screw, Hex, M10 X 1.5 X 40, 8.8	2
15	08713	(000000-009999)	Nut, Hex, Lock, M 8 X 1.25, NI, Ss	1
16	371875	(000000-009999)	Washer, Lock, Int-Ext, .38	1
17	371877	(000000-009999)	Washer, Flat, .38, Hardened	3
18	393209	(000000-009999)	Alternator, 12vdc 075a Multi Groove	1
19	363976	(000000-009999)	Screw, Hex, M 8 X 1.25 X 60, FI	1
20	1008640	(000000-009999)	Bracket Wldt, Alternator, Lower [Gm1.6l]	1
21	39649	(000000-009999)	Screw, Pan, #10-24 X 0.50, 1	1
22	19066	(000000-009999)	Washer, Flt, #10	1
23	1006604	(000000-009999)	Fan, Pusher, 14.17d, Rwk	1
24	1006557	(000000-009999)	Spacer, Fan	1
25	19579	(000000-009999)	Screw, Soc, .38-16 X 1.75, Al	3
26	1008782	(000000-009999)	Wire, 06ga 012.0l Red .38h /.38h	1
27	02076	(000000-009999)	Boot, 90deg .50d .57d X .84	1
28	41361	(000000-009999)	Nut, Hex, Std, M08 X 1.25, Brs	2
29	32984	(000000-009999)	Washer, Lock, Int, .31	1
30	19313	(000000-009999)	Nut, Hex, Std, .31-18	1

STANDARD PARTS

Fig. 30 - Engine Alternator and Engine Fan Group (010000-)

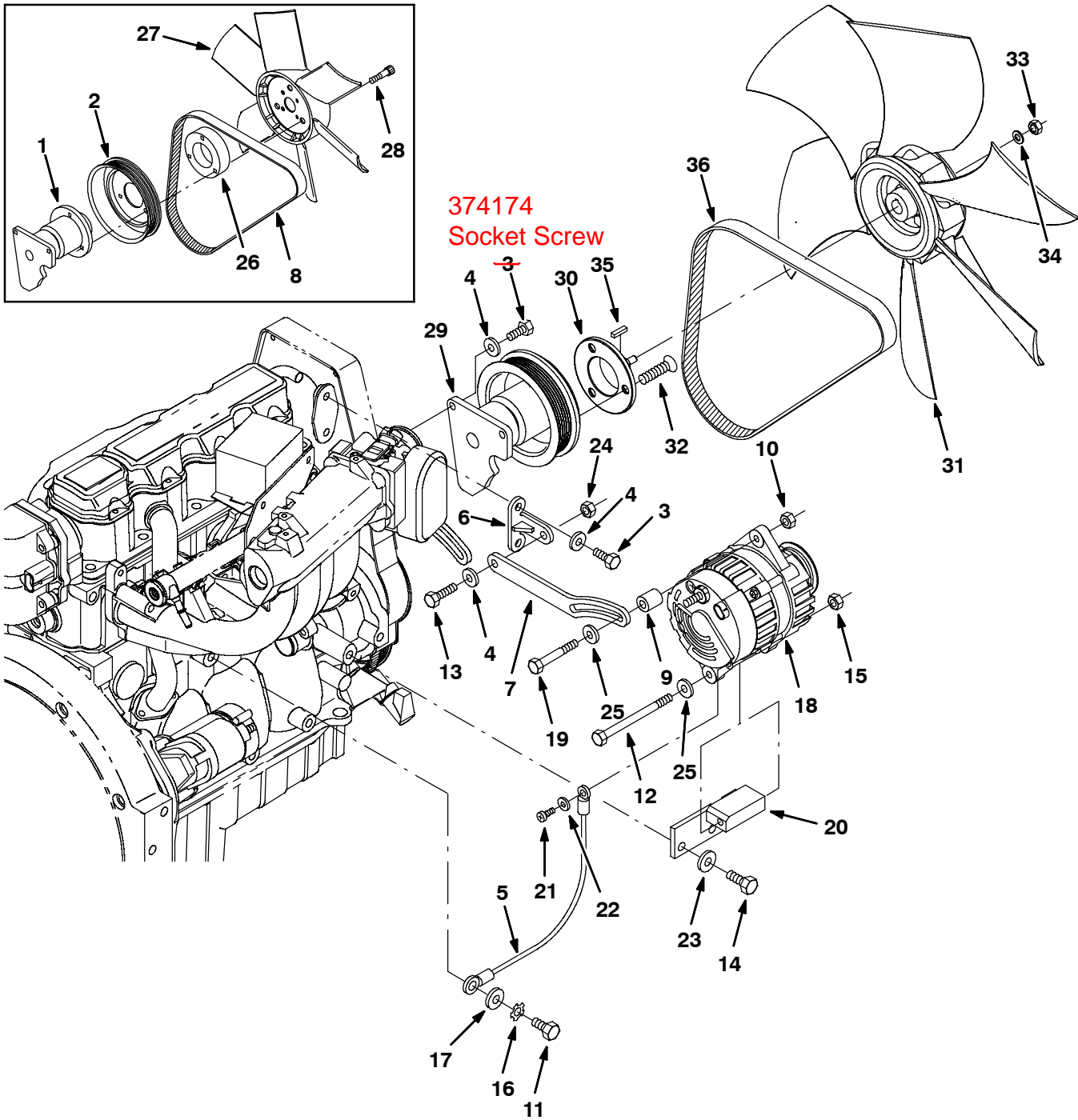


Fig. 30 - Engine Alternator and Engine Fan Group (010000-)

Ref.	Part No.	Serial Number	Description	Qty.
1	371863	(010000-014999)	Base Assy, Fan	1
2	371864	(010000-014999)	Pulley	1
3	16931	(010000-)	Screw, Hex, M 8 X 1.25 X 20, 8.8	4
4	371865	(010000-)	Washer, Flat, 0.31, Hardened	7
5	371527	(010000-)	Wire, Ground	1
6	371871	(010000-)	Bracket, Anchor, Strap, Alternator	1
7	371872	(010000-)	Strap, Adj, Alternator	1
8	372571	(010000-014999)	Belt, Ribbed, 39.0L	1
9	372557	(010000-)	Spacer, Strap, Adj, Alternator	1
10	39311	(010000-)	Nut, Hex, Std, M08 X 1.25	1
11	06960	(010000-)	Screw, Hex, M10 X 1.5 X 16, 8.8	1
12	39785	(010000-)	Screw, Hex, .31-18 X 4.50, 5	1
13	76958	(010000-)	Screw, Hex, .31-18 X 1.75, 5	1
14	06961	(010000-)	Screw, Hex, M10 X 1.5 X 20, 8.8	2
15	32983	(010000-)	Nut, Hex, Lock, .31-18, NI	1
16	371875	(010000-)	Washer, Lock, Int-Ext, .38	1
17	371877	(010000-)	Washer, Flat, .38, Hardened	3
18	393209	(010000-)	Alternator, 12vdc 075a Multi Groove	1
19	363976	(010000-)	Screw, Hex, M 8 X 1.25 X 60, FI	1
20	372536	(010000-)	Bracket, Alternator	1
21	42011	(010000-)	Screw, Hex, #10-24 X 0.50, Ss	1
22	19066	(010000-)	Washer, Flt, #10	1
23	32485	(010000-)	Washer, Flat, 0.38 Sae	1
24	19313	(010000-)	Nut, Hex, Std, .31-18	2
25	39349	(010000-)	Washer, Flat, 0.31 Sae	2
26	1006557	(010000-014999)	Spacer, Fan	1
27	1006604	(010000-014999)	Fan, Pusher, 14.17d, Rwk	1
28	19579	(010000-014999)	Screw, Soc, .38-16 X 1.75, Al	3
29	1035056	(015000-)	Pulley, Fan, Hub [Gm1.6l 2007]	1
30	1035530	(015000-)	Spacer, Fan, Taper [2007]	1
31	1031566	(015000-)	Fan, Cooling, 14.3d, 6 Blade, 0.5b Taper	1
32	48996	(015000-)	Screw, Flt, .38-16 X 0.75, Al	3
33	08709	(015000-)	Nut, Hex, Lock, M8 X 1.25, NI	1
34	32491	(015000-)	Washer, Flat, 0.31, Std	1
35	00960	(015000-)	Key, Sq, 0.12 X 0.12, 0.50l	1
36	1033644	(015000-)	Belt, Ribbed, 38.5l	1

Fig. 31 - Engine Muffler Group (00000-009999)

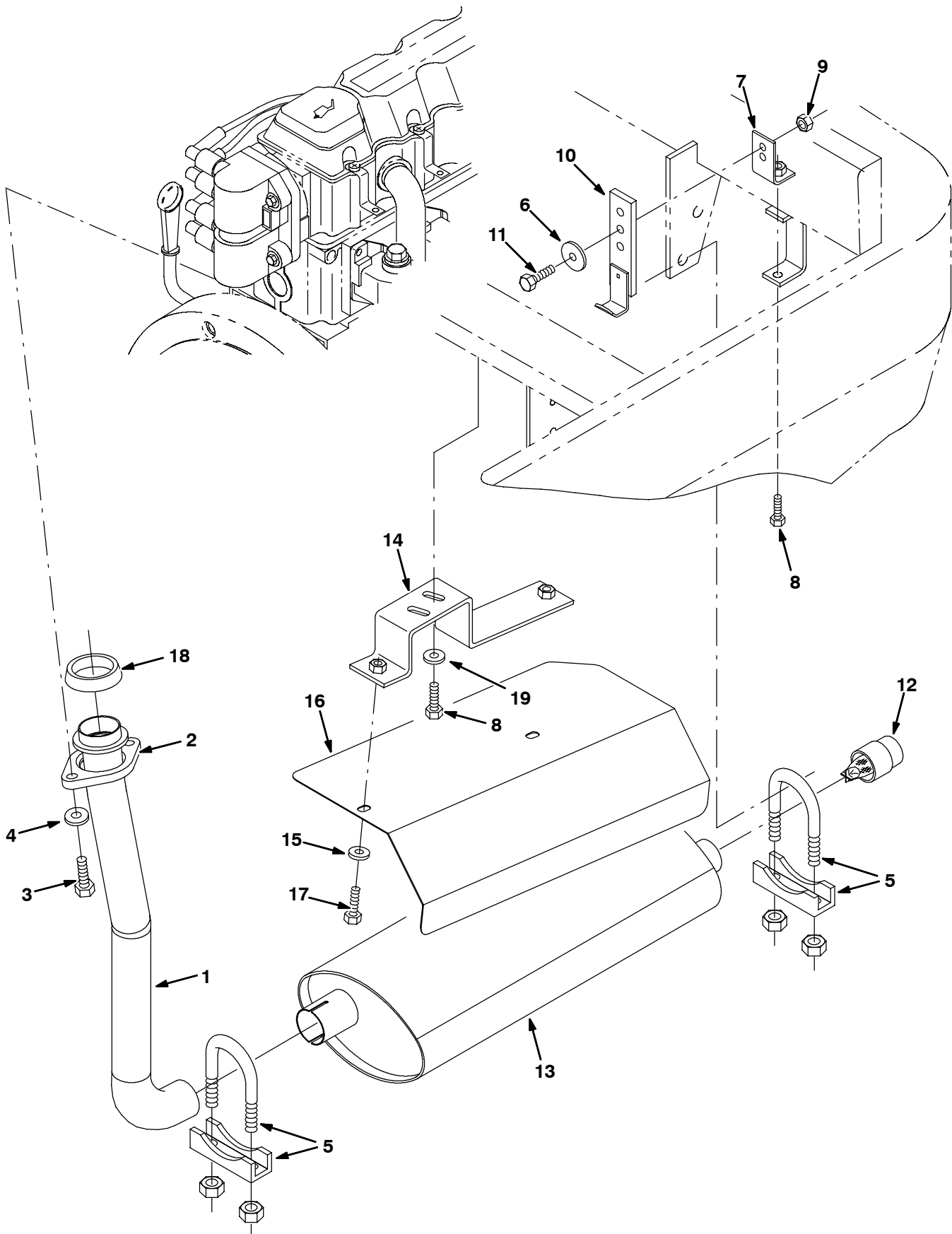


Fig. 31 - Engine Muffler Group (000000-009999)

Ref.	Part No.	Serial Number	Description	Qty.
1	377202	(000000-009999)	Tube, Exhaust, 1.6d 1.70d 1.60d	1
2	1006898	(000000-009999)	Flange, Mtg, Tailpipe, [Gas/Lpg]	1
3	39284	(000000-009999)	Screw, Hex, M10 X 1.5 X 35, 8.8	2
4	32485	(000000-009999)	Washer, Flat, .38 Sae	2
5	24012	(000000-009999)	Clamp, Muffler, 1.62d	2
6	30013	(000000-009999)	Washer, Flat, 0.31 Fender	1
7	1010448	(000000-009999)	Anglr, Mtg, Muffler	1
8	07810	(000000-009999)	Screw, Flt, M8 X 1.25 X 25, 10.9	2
9	08709	(000000-009999)	Nut, Hex, Lock, M 8 X 1.25 NI	1
10	374691	(000000-009999)	Strap, Muffler Hanger	1
11	39277	(000000-009999)	Screw, Hex, M 8 X 1.25 X 25, 8.8	1
12	1009681	(000000-009999)	Screen, Sparkarrest	1
13	1044866	(000000-009999)	Muffler, Exhaust	1
14	1010380	(000000-009999)	Bracket, Mtg, Shield	1
15	32491	(000000-009999)	Washer, Flat, 0.31 Std	2
16	1010379	(000000-009999)	Shield, Heat	1
17	16735	(000000-009999)	Screw, Hex, M 8 X 1.25 X 16, 8.8	2
18	371861	(000000-009999)	Gasket, Flgn, Pipe, Exhaust	1
19	32486	(000000-009999)	Washer, Flat, 0.50 Sae	2

Fig. 32 - Engine Muffler Group (010000-014999)

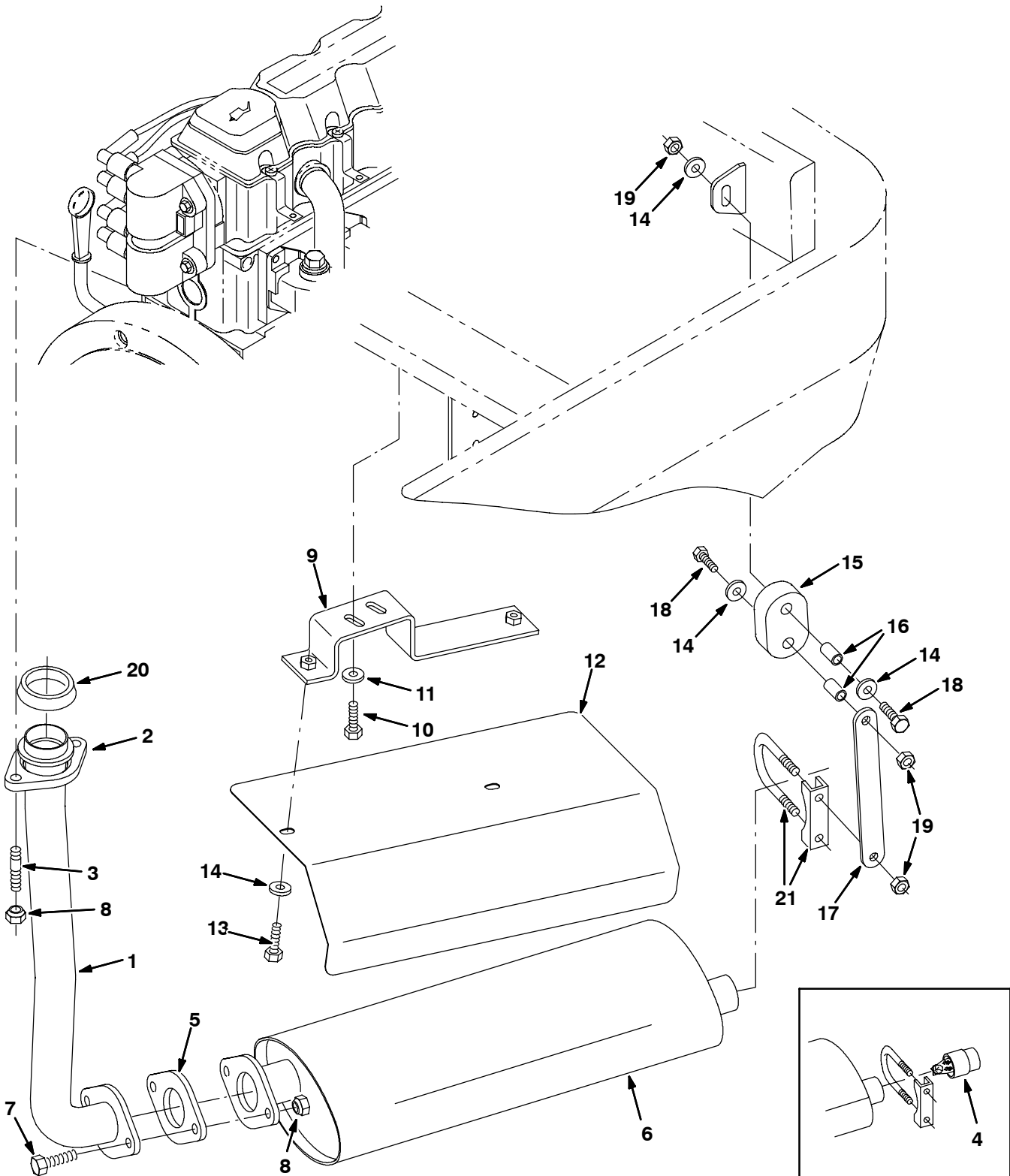


Fig. 32 - Engine Muffler Group (010000-014999)

Ref.	Part No.	Serial Number	Description	Qty.
1	1011700	(010000-014999)	Tube, Exhaust, Flng	1
2	1006898	(010000-014999)	Flange, Mtg, Tailpipe, [Gas/Lpg]	1
3	384442	(010000-014999)	Stud, M10 X 1.50 [35]	2
4	1009681	(010000-010120)	Screen, Sparkarrest	1
5	1011216	(010000-014999)	Gasket, Exhaust, 2 Hole, 3.4bc	1
6	1011259	(010000-014999)	Muffler, Catalytic [Gm1.6l, 7400, 6600]	1
7	39284	(010000-014999)	Screw, Hex, M10 X 1.5 X 35, 8.8	2
8	08166	(010000-014999)	Nut, Hex, Stover, M10 X 1.5	4
9	1013624	(010000-014999)	Bracket, Mtg, Shield	1
10	07810	(010000-014999)	Screw, Flt, M8 X 1.25 X 25, 10.9	2
11	32486	(010000-014999)	Washer, Flat, 0.50 Sae	2
12	1014004	(010000-014999)	Shield, Heat	1
13	16931	(010000-014999)	Screw, Hex, M8 X 1.25 X 20, 8.8	2
14	32491	(010000-014999)	Washer, Flat, 0.31 Std	5
15	1013031	(010000-014999)	Isolator, Rubber	1
16	222497	(010000-014999)	Sleeve, P/M, 0.496d 0.318b 1.25l 430ss	2
17	1013230	(010000-014999)	Bracket, Hanger, Muffler	1
18	222504	(010000-014999)	Screw, Hex, M8 X 1.25 X 55, Ss	2
19	08709	(010000-014999)	Nut, Hex, Lock, M8 X 1.25, NI	2
20	371861	(010000-014999)	Gasket, Flgn, Pipe, Exhaust	1
21	24012	(010000-014999)	Clamp, Muffler, 1.62d	1

Fig. 33 - Engine Muffler Group (015000-)

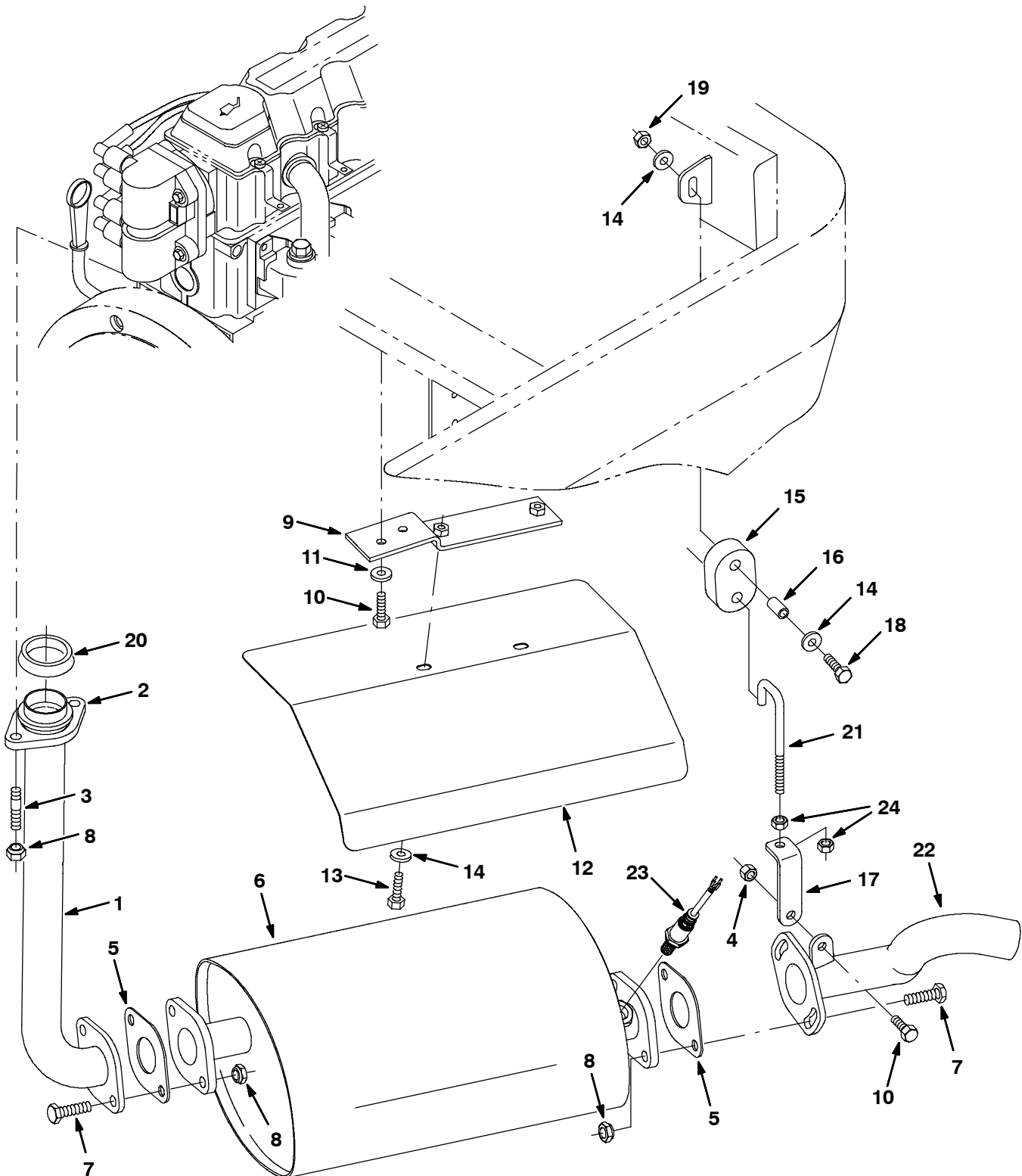


Fig. 33 - Engine Muffler Group (015000-)

Ref.	Part No.	Serial Number	Description	Qty.
1	1028961	(015000-) Tube, Exhaust, Flng	1
2	1006898	(015000-) Flange, Mtg, Tailpipe, [Gas/Lpg]	1
3	384442	(015000-) Stud, M10 X 1.50 [35]	2
4	39311	(015000-) Nut, Hex, Std, M8 X 1.25	1
5	1011216	(015000-) Gasket, Exhaust, 2 Hole, 3.4bc	2
6	1028136	(015000-) Muffler, Catalytic [Gm 1.6l 2007]	1
7	39284	(015000-) Screw, Hex, M10 X 1.5 X 35, 8.8	4
8	08166	(015000-) Nut, Hex, Stover, M10 X 1.5	6
9	1031689	(015000-) Bracket, Mtg, Shield	1
10	39277	(015000-) Screw, Hex, M8 X 1.25 X 25, 8.8	3
11	32486	(015000-) Washer, Flat, 0.50 Sae	2
12	1031688	(015000-) Shield, Heat	1
13	16931	(015000-) Screw, Hex, M8 X 1.25 X 20, 8.8	2
14	32491	(015000-) Washer, Flat, 0.31 Std	4
15	1013031	(015000-) Isolator, Rubber	1
16	222497	(015000-) Sleeve, P/M, 0.496d 0.318b 1.25l 430ss	1
17	1036480	(015000-) Bracket, Hanger, Muffler	1
18	222504	(015000-) Screw, Hex, M8 X 1.25 X 55, Ss	1
19	08709	(015000-) Nut, Hex, Lock, M8 X 1.25, NI	1
20	371861	(015000-) Gasket, Flgn, Pipe, Exhaust	1
21	1013117	(015000-) Rod, Hanger, Isolator	1
22	1028973	(015000-) Tube Wldt, Exhaust, 1.6d	1
23	1028558	(015000-) Sensor, Exhaust, Tailpipe	1
24	25014	(015000-) Nut, Hex, Std, .38-16	2

STANDARD PARTS

Fig. 34 - Engine Fuel Tank Group, Gasoline (000000-009999)

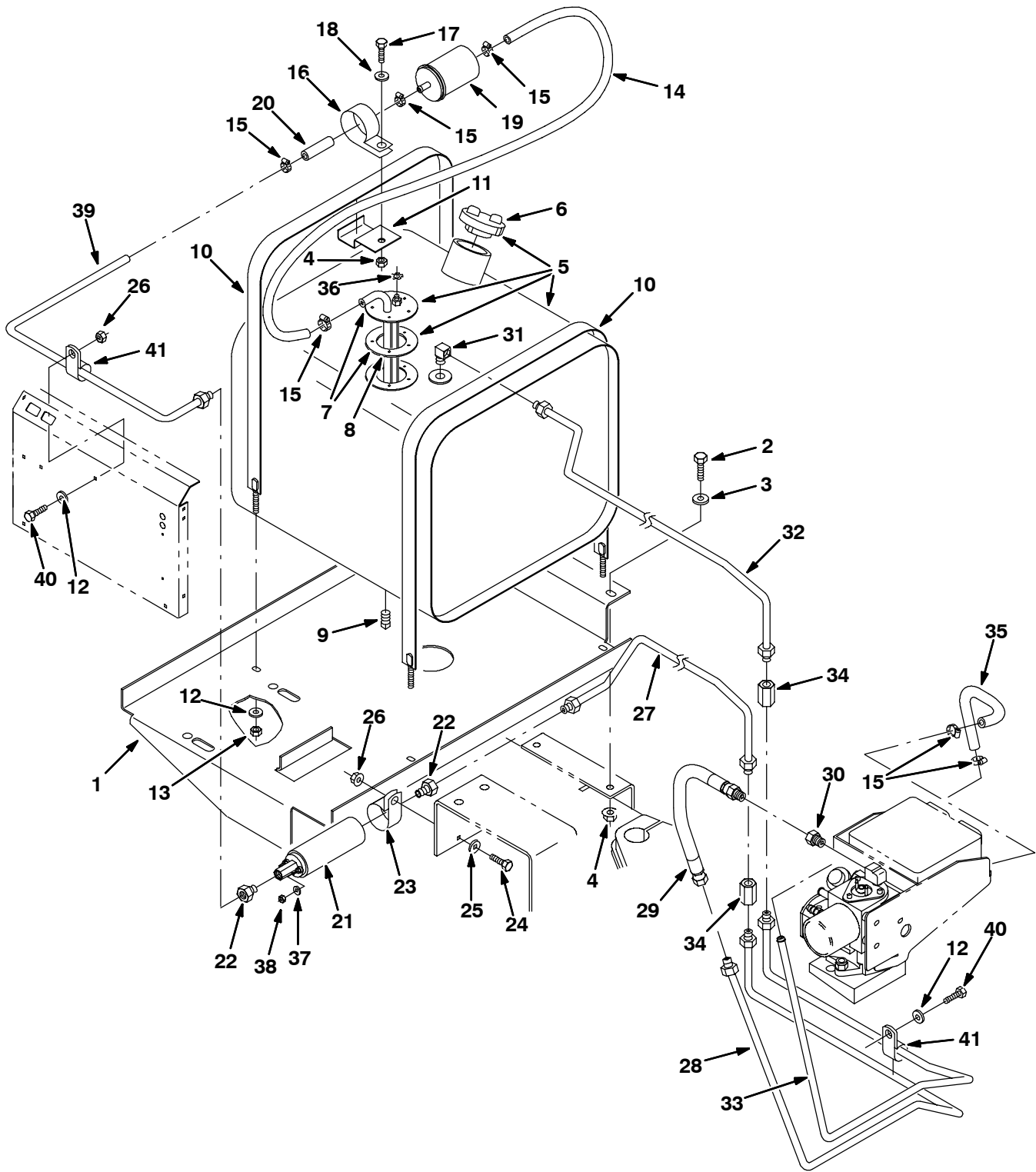


Fig. 34 - Engine Fuel Tank Group, Gasoline (000000-009999)

Ref.	Part No.	Serial Number	Description	Qty.	
1	55222	(000000-009999)	Tray, Mtg, Tank, Fuel	1	
2	39277	(000000-009999)	Screw, Hex, M 8 X 1.25 X 25, 8.8	4	
3	32491	(000000-009999)	Washer, Flat, 0.31 Std	4	
4	07791	(000000-009999)	Nut, Hex, Flng, M08 X 1.25	5	
▽	5	1011583	(000000-009999)	Tank, Fuel, 9.4 Gal	1
▲	6	48267	(000000-009999)	Cap, Tank, Fuel, 2.3neck 2.6d	1
▲▽	7	74406	(000000-009999)	Send-Unit, Fuel, Ohm	1
▲▲	8	14131	(000000-009999)	Gasket, Sender, Fuel, 2.7d 1.5b 5/ 2.1bc	1
▲	9	48126	(000000-009999)	Fitting, Pipe, Plug, Pm02 Sq Head	1
	10	87396	(000000-009999)	Strap Wldt, Tank, .06th X 1.0w, 37.7l	2
	11	1008988	(000000-009999)	Bracket, Fltr, Fuel	1
	12	32483	(000000-009999)	Washer, Flat, 0.25 Sae	6
	13	32981	(000000-009999)	Nut, Hex, Lock, .25-20, NI	4
	14	72560	(000000-009999)	Hose, Fuel, 0.31id 31.0l	1
	15	43844	(000000-009999)	Clamp, Hose, Wormdrive, 0.25-0.62d	6
	16	41016	(000000-009999)	Clamp, Cable, Stl, 2.25d X 1.00w, 1h	1
	17	16735	(000000-009999)	Screw, Hex, M 8 X 1.25 X 16, 8.8	1
	18	32490	(000000-009999)	Washer, Flat, 0.25 Std	1
	19	371662	(000000-009999)	Filter, Fuel	1
	20	57404	(000000-009999)	Hose, Fuel, 0.31id 02.0l	1
	21	371661	(000000-009999)	Pump, Fuel, Gas	1
	22	40585	(000000-009999)	Fitting, Brs, Str, lf05/Pm02	2
	23	53468	(000000-009999)	Clamp, Cable, Stl, 1.75d X 1.00w, 1h	1
	24	06943	(000000-009999)	Screw, Hex, M 6 X 1.0 X 20, 8.8	1
	25	32483	(000000-009999)	Washer, Flat, 0.25 Sae	1
	26	07790	(000000-009999)	Nut, Hex, Flng, M06 X 1.0	2
	27	377245	(000000-009999)	Fuelline, .31d 05if/05if Stl	1
	28	377246	(000000-009999)	Fuelline, .31d 05if/05if Stl	1
	29	70173	(000000-009999)	Hose, 0050, 04, lm05str /lf05str , 10.0	1
	30	78043	(000000-009999)	Fitting, Brs, Str, lf05/Pm04	1
	31	15555-1	(000000-009999)	Fitting, Brs, E90, lf05/Pm02	1
	32	377247	(000000-009999)	Fuelline, .31d 05if/05if Stl	1
	33	377248	(000000-009999)	Fuelline, .31d 05if/Bea Stl	1
	34	25610	(000000-009999)	Fitting, Brs, Str, lf05/lf05	2
	35	54845	(000000-009999)	Hose, Fuel, 0.31id 08.0l	1
	36	41139	(000000-009999)	Washer, Lock, Int-Ext, #10	1
	37	32975	(000000-009999)	Washer, Lock, Int, #06	2
	38	19309	(000000-009999)	Nut, Hex, Std, #06-32	2
	39	377219	(000000-009999)	Fuelline, .31d 05if/Bea Stl	1
	40	06942	(000000-009999)	Screw, Hex, M 6 X 1.0 X 16, 8.8	2
	41	76736	(000000-009999)	Clamp, Cable, Stl, 0.38d X 0.62w, 1h	2

STANDARD PARTS

Fig. 35 - Engine Fuel Tank Group, Gasoline (010000-014999)

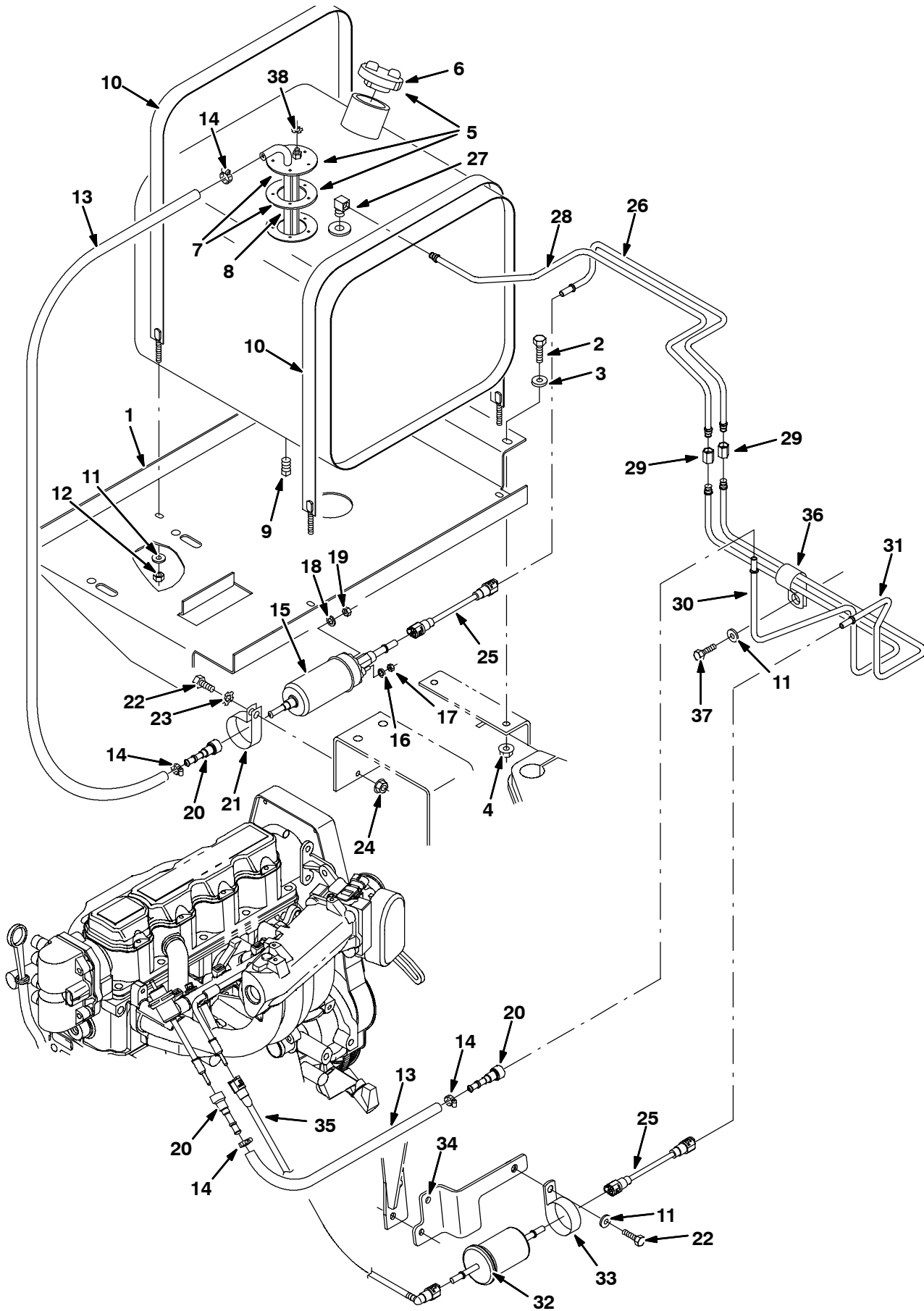


Fig. 35 - Engine Fuel Tank Group, Gasoline (010000-014999)

Ref.	Part No.	Serial Number	Description	Qty.	
1	55222	(010000-014999)	Tray, Mtg, Tank, Fuel	1	
2	39277	(010000-014999)	Screw, Hex, M 8 X 1.25 X 25, 8.8	4	
3	32491	(010000-014999)	Washer, Flat, 0.31 Std	4	
4	07791	(010000-014999)	Nut, Hex, Flng, M08 X 1.25	5	
▽	5	1013932	(010000-014999)	Tank, Fuel, 9.4 Gal	1
▲	6	48267	(010000-014999)	Cap, Tank, Fuel, 2.3neck 2.6d	1
▲▽	7	74406	(010000-014999)	Send-Unit, Fuel, Ohm	1
▲▲	8	14131	(010000-014999)	Gasket, Sender, Fuel, 2.7d 1.5b 5/ 2.1bc	1
▲	9	48126	(010000-014999)	Fitting, Pipe, Plug, Pm02 Sq Head	1
	10	87396	(010000-014999)	Strap Wldt, Tank, .06th X 1.0w, 37.7l	2
	11	32483	(010000-014999)	Washer, Flat, 0.25 Sae	6
	12	32981	(010000-014999)	Nut, Hex, Lock, .25-20, NI	4
	13	83591	(010000-014999)	Hose, Fuel, 0.31id 31.0l	2
	14	43844	(010000-014999)	Clamp, Hose, Wormdrive, 0.25-0.62d	4
	15	1011107	(010000-014999)	Pump, Fuel, Hi-Press [Gm 1.6l/3.0l]	1
	16	32978	(010000-014999)	Washer, Lock, Int, #08	1
	17	42368	(010000-014999)	Nut, Hex, Std, M4 X 0.7, 8	1
	18	32980	(010000-014999)	Washer, Lock, Int, #10	1
	19	50335	(010000-014999)	Nut, Hex, Std, M5 X 0.8, 8	1
	20	1013086	(010000-014999)	Connector, Fuel, Qf	3
	21	1011895	(010000-014999)	Clamp, Cable, Stl, 2.00d X 0.75w, 1h	1
	22	06943	(010000-014999)	Screw, Hex, M6 X 1.0 X 20, 8.8	2
	23	32483	(010000-014999)	Washer, Flat, 0.25 Sae	1
	24	07790	(010000-014999)	Nut, Hex, Flng, M6 X 1.0	2
	25	1012248	(010000-014999)	Fuelline, .31d Str/Str, Plstc	2
	26	1014801	(010000-014999)	Fuelline, .31d 05if/Qm Stl	1
	27	15555-2	(010000-014999)	Fitting, Brs, E90, lf05/Pm04	1
	28	1014803	(010000-014999)	Fuelline, .31d 05if/05if Stl	1
	29	25610	(010000-014999)	Fitting, Brs, Str, lf05/lf05	2
	30	1014800	(010000-014999)	Fuelline, .31d 05if/Qm Stl	1
	31	1014802	(010000-014999)	Fuelline, .31d 05if/Qm Stl	1
	32	372440	(010000-014999)	Fuel, Fltr [Gm 1.6l/3.0l]	1
	33	1011895	(010000-014999)	Clamp, Cable, Stl, 2.00d X 0.75w, 1h	1
	34	1014799	(010000-014999)	Bracket, Mtg, Filter, Fuel	1
	35	1012250	(010000-014999)	Fuelline, .31d Str/E90, Plstc	1
	36	26395-1	(010000-014999)	Clamp, Cable, Stl, 0.56d X 0.38w, 1hole	1
	37	06942	(010000-014999)	Screw, Hex, M6 X 1.0 X 16, 8.8	1
	38	41139	(010000-014999)	Washer, Lock, Int-Ext, #10	1

STANDARD PARTS

Fig. 36 - Engine Fuel Tank Group, Gasoline (015000-)

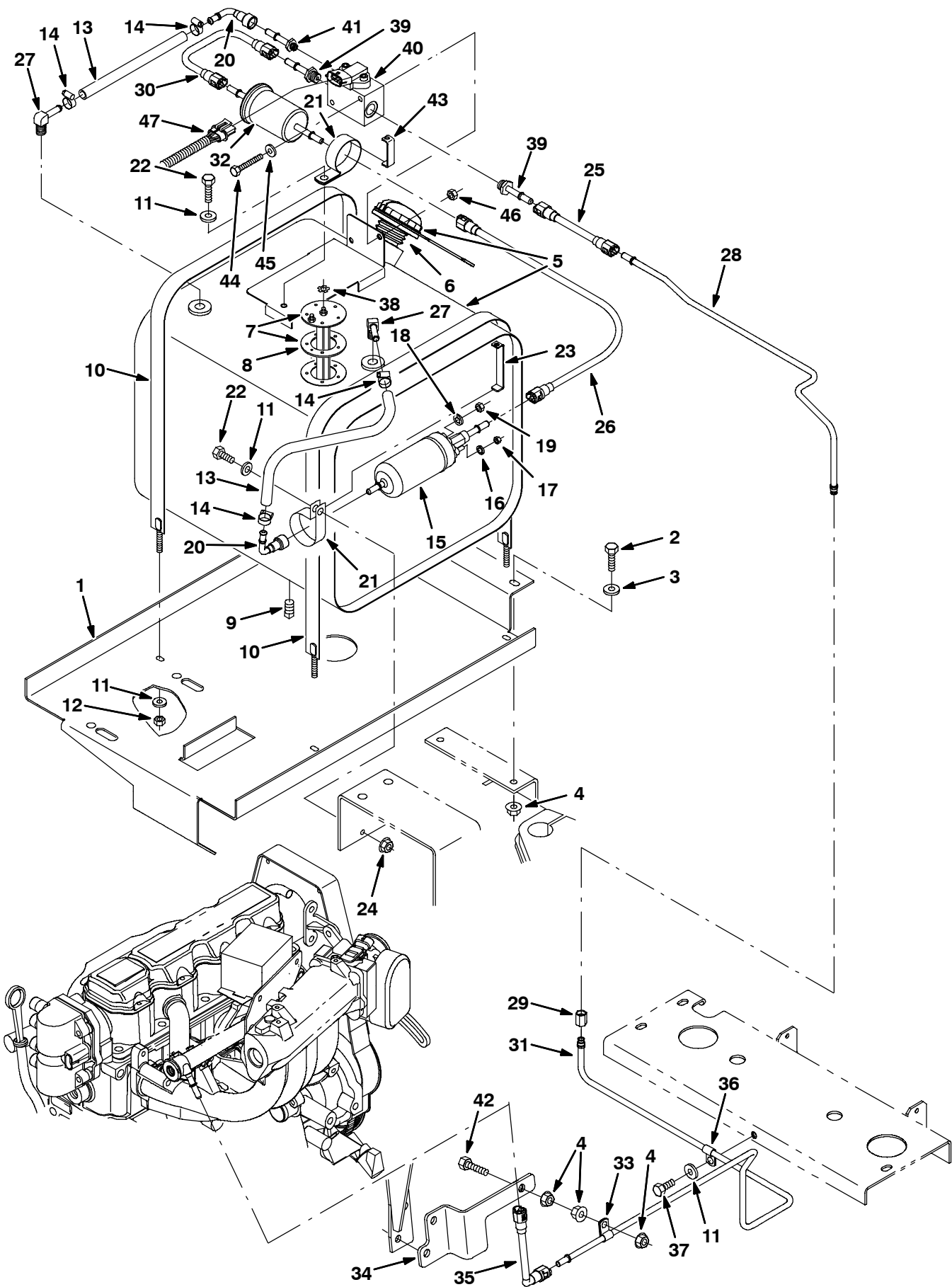


Fig. 36 - Engine Fuel Tank Group, Gasoline (015000-)

Ref.	Part No.	Serial Number	Description	Qty.
1	55222	(015000-) Tray, Mtg, Tank, Fuel	1
2	39277	(015000-) Screw, Hex, M 8 X 1.25 X 25, 8.8	4
3	32491	(015000-) Washer, Flat, 0.31 Std	4
4	07791	(015000-) Nut, Hex, Flng, M08 X 1.25	7
▽	5	1030271	(015000-) Tank, Fuel, 9.4 Gal [6600/6650 2007]	1
▲	6	1032812	(015000-) Cap, Fuel, Tank	1
▲▽	7	1033900	(015000-) Send-unit, Fuel	1
▲▲	8	1033897	(015000-) Gasket, Sender, Fuel	1
▲	9	48126	(015000-) Fitting, Pipe, Plug, Pm02 Sq Head	1
10	87396	(015000-) Strap Wldt, Tank, .06th X 1.0w, 37.7l	2
11	32483	(015000-) Washer, Flat, 0.25 Sae	7
12	32981	(015000-) Nut, Hex, Lock, .25-20, NI	4
13	1033746	(015000-) Hose, Fuel, 0.31id [Evap Emission 07]	2
14	43844	(015000-) Clamp, Hose, Wormdrive, 0.25-0.62d	4
15	1011107	(015000-) Pump, Fuel, Hi-Press [Gm 1.6l/3.0l]	1
16	32978	(015000-) Washer, Lock, Int, #08	1
17	42368	(015000-) Nut, Hex, Std, M4 X 0.7, 8	1
18	32980	(015000-) Washer, Lock, Int, #10	1
19	50335	(015000-) Nut, Hex, Std, M5 X 0.8, 8	1
20	1019939	(015000-) Connector, Fuel, E90, Qf	1
21	1011895	(015000-) Clamp, Cable, Stl, 2.00d X 0.75w, 1h	2
22	06943	(015000-) Screw, Hex, M6 X 1.0 X 20, 8.8	2
23	1032145	(015000-) Bracket, U	1
24	07790	(015000-) Nut, Hex, Flng, M6 X 1.0	1
25	1012248	(015000-) Fuelline, .31d Str/Str, Plstc	1
26	1032024	(015000-) Fuelline, .31d Str/Str, Plstc [6600 07]	1
27	9000355	(015000-) Fitting, Brs, E90, Em05/Pm04	2
28	1030570	(015000-) Fuelline, .31d 05if/Qm Stl[6600/6650 07]	1
29	25610	(015000-) Fitting, Brs, Str, lf05/lf05	1
30	1013509	(015000-) Fuelline, .31d Str/Str, Plstc [8200]	1
31	1030551	(015000-) Fuelline, .31d 05if/Qm Stl[6600/6650 07]	1
32	372440	(015000-) Fuel, Fltr [Gm 1.6l/3.0l]	1
33	40678	(015000-) Clamp, Cable, Stl, 0.44d X 0.62w, 1h	1
34	1014799	(015000-) Bracket, Mtg, Filter, Fuel	1
35	1012250	(015000-) Fuelline, .31d Str/E90, Plstc	1
36	76736	(015000-) Clamp, Cable, Stl, 0.38d X 0.62w, 1h	1
37	06942	(015000-) Screw, Hex, M6 X 1.0 X 16, 8.8	1
38	41139	(015000-) Washer, Lock, Int-Ext, #10	1
39	1029293	(015000-) Fitting, Fuel, Str, 9/16-18 [07 Eng]	2
40	1028924	(015000-) Manifold, Gas, Relief, Valve [2007]	1
41	1029295	(015000-) Fitting, Fuel, Str, 3/8-24 [07 Eng]	1
42	76570	(015000-) Screw, Hex, M8 X 1.25 X 30, 8.8	1
43	1032143	(015000-) Bracket, U	1
44	06949	(015000-) Screw, Hex, M6 X 1.0 X 50, 8.8	2
45	32490	(015000-) Washer, Flat, 0.25 Std	2
46	08708	(015000-) Nut, Hex, Lock, M6 X 1.0, NI	2
47	385009	(015000-) Harness, Manifold, Gas	1

STANDARD PARTS

Fig. 37 - Engine Fuel Tank Group, LPG (000000-009999)

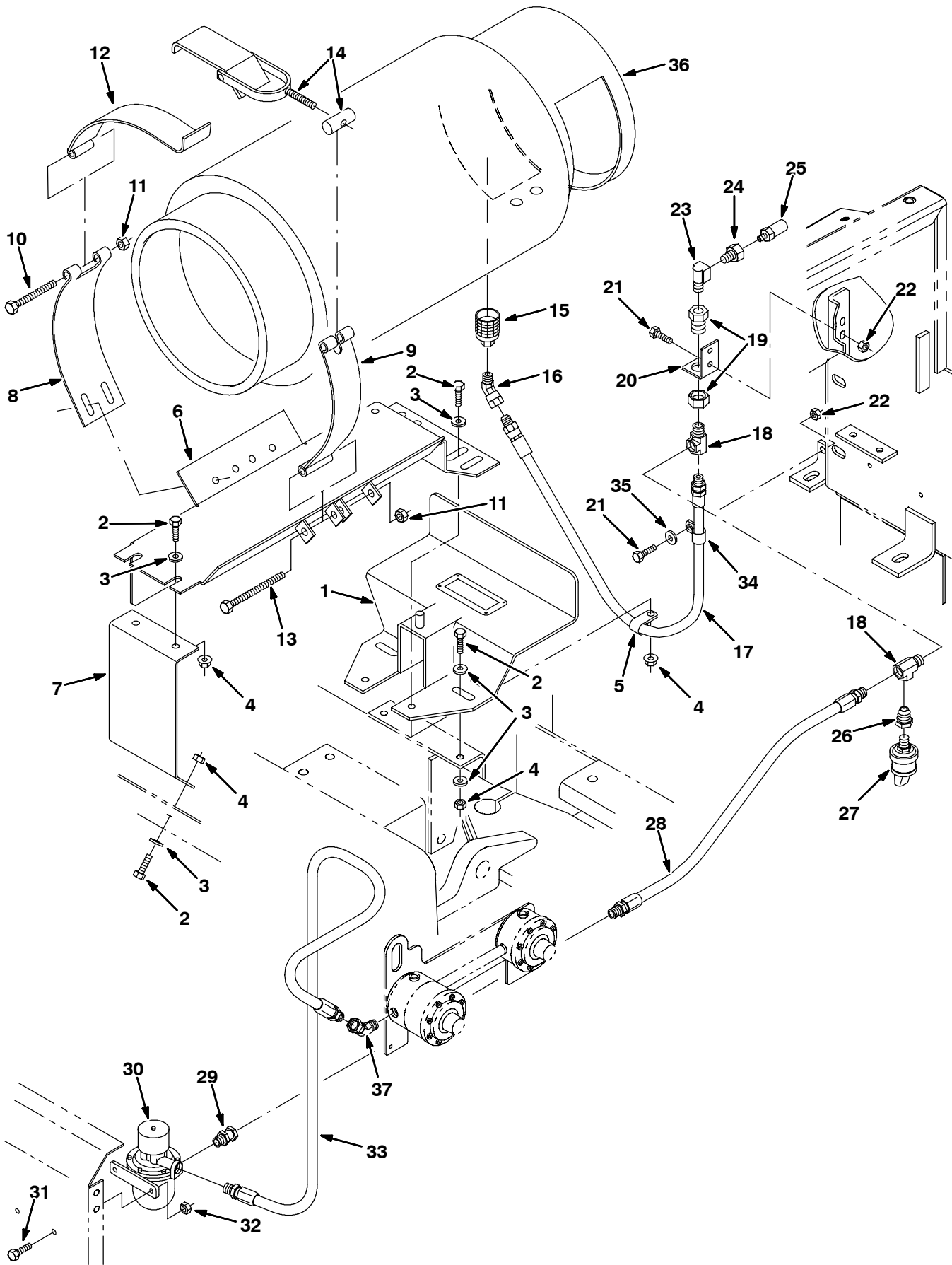


Fig. 37 - Engine Fuel Tank Group, LPG (000000-009999)

Ref.	Part No.	Serial Number	Description	Qty.
1	72128	(000000-009999)	Bracket Assy, Lpg Tank, W/ Label	1
2	39277	(000000-009999)	Screw, Hex, M 8 X 1.25 X 25, 8.8	8
3	32491	(000000-009999)	Washer, Flat, 0.31 Std	10
4	07791	(000000-009999)	Nut, Hex, Flng, M08 X 1.25	8
5	26395-1	(000000-009999)	Clamp, Cable, Stl, 0.56d X 0.38w, 1h	1
6	10652	(000000-009999)	Panel Wldt	1
7	70221	(000000-009999)	Bracket, Mtg, Lpg	1
8	58589	(000000-009999)	Strap	1
9	58590	(000000-009999)	Strap	1
10	35707	(000000-009999)	Screw, Hex, .38-16 X 3.00, 5	1
11	50902	(000000-009999)	Nut, Hex, Lock, .38-16, NI	2
12	57297	(000000-009999)	Strap	1
13	35710	(000000-009999)	Screw, Hex, .38-16 X 3.75, 5	1
14	53400-1	(000000-009999)	Latch	1
15	26496	(000000-009999)	Fitting, Brs, Qdc, Pf04 Lpg Fem	1
16	47720	(000000-009999)	Fitting, Hyd, E45, Pm04/Pf04	1
17	22308-3	(000000-009999)	Hose, Lpg, Med05, Pm04str/Sm04str, 35.0l	1
18	56976A	(000000-009999)	Fitting, Hyd, Tee, Pm04/Pf04/Pf04	2
19	78122	(000000-009999)	Fitting, Brs, Str, Pf04/Pf04 Bkhd	1
20	54343	(000000-009999)	Bracket, Angle, Mtg, Valve, Relief	1
21	16931	(000000-009999)	Screw, Hex, M 8 X 1.25 X 20, 8.8	3
22	07791	(000000-009999)	Nut, Hex, Flng, M08 X 1.25	3
23	27048	(000000-009999)	Fitting, Brs, E90, Pm04/Pf04	1
24	59892	(000000-009999)	Fitting, Brs, Str, Pm04/Pf04	1
25	24047	(000000-009999)	Valve, Lpg, Press Relief, [Rego]	1
26	17414	(000000-009999)	Fitting, Pipe, Str, Pm04/Pf02	1
27	23156	(000000-009999)	Switch, Press, 12vdc 08a Spst Nc 0070psi	1
28	377218	(000000-009999)	Hose, Lpg, Med05, Pm04str/Sm04str, 19.0l	1
29	11442-23	(000000-009999)	Fitting, Pipe, Str, Sf04/Pm04	1
30	53395-2	(000000-009999)	Filter, Fuelock, [Ballwin#4-2384b]	1
31	06942	(000000-009999)	Screw, Hex, M 6 X 1.0 X 16, 8.8	2
32	08708	(000000-009999)	Nut, Hex, Lock, M 6 X 1.0, NI	2
33	377207	(000000-009999)	Hose, Lpg, Med05, Pm04str/Sm04str, 38.0l	1
34	67767	(000000-009999)	Clamp, Cable, Stl, 0.69d X 0.62w, 1h	1
35	32490	(000000-009999)	Washer, Flat, 0.25 Std	1
36	24928-1	(000000-009999)	Tank, Lpg, 33lb, W/ Gauge [Empty] [Liq]	1
37	392645	(000000-009999)	Fitting, Pipe, E45, Pm04/Pf04, [Swivel]	1

STANDARD PARTS

Fig. 38 - Engine Fuel Tank Group, LPG (010000-)

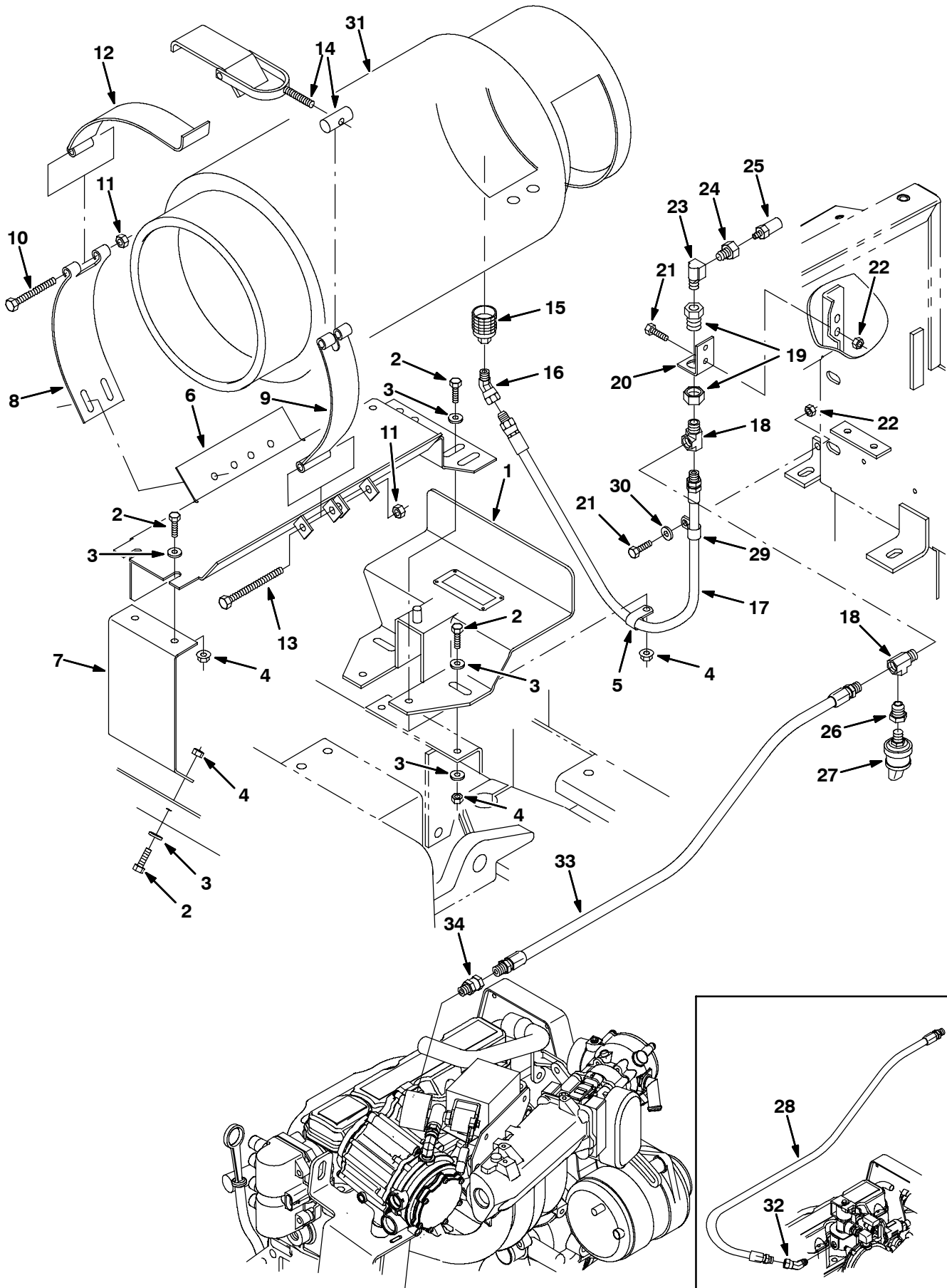


Fig. 38 - Engine Fuel Tank Group, LPG (010000-)

Ref.	Part No.	Serial Number	Description	Qty.
1	72128	(010000-) Bracket Assy, Lpg Tank, W/ Label	1
2	39277	(010000-) Screw, Hex, M 8 X 1.25 X 25, 8.8	8
3	32491	(010000-) Washer, Flat, 0.31 Std	10
4	07791	(010000-) Nut, Hex, Flng, M08 X 1.25	8
5	26395-1	(010000-) Clamp, Cable, Stl, 0.56d X 0.38w, 1h	1
6	10652	(010000-) Panel Wldt	1
7	70221	(010000-) Bracket, Mtg, Lpg	1
8	58589	(010000-) Strap	1
9	58590	(010000-) Strap	1
10	35707	(010000-) Screw, Hex, .38-16 X 3.00, 5	1
11	50902	(010000-) Nut, Hex, Lock, .38-16, NI	2
12	57297	(010000-) Strap	1
13	35710	(010000-) Screw, Hex, .38-16 X 3.75, 5	1
14	53400-1	(010000-) Latch	1
15	26496	(010000-) Fitting, Brs, Qdc, Pf04 Lpg Fem	1
16	47720	(010000-) Fitting, Hyd, E45, Pm04/Pf04	1
17	22308-3	(010000-) Hose, Lpg, Med05, Pm04str/Sm04str, 35.0l	1
18	56976A	(010000-) Fitting, Hyd, Tee, Pm04/Pf04/Pf04	2
19	78122	(010000-) Fitting, Brs, Str, Pf04/Pf04 Bkhd	1
20	54343	(010000-) Bracket, Angle, Mtg, Valve, Relief	1
21	16931	(010000-) Screw, Hex, M 8 X 1.25 X 20, 8.8	3
22	07791	(010000-) Nut, Hex, Flng, M08 X 1.25	3
23	27048	(010000-) Fitting, Brs, E90, Pm04/Pf04	1
24	59892	(010000-) Fitting, Brs, Str, Pm04/Pf04	1
25	24047	(010000-) Valve, Lpg, Press Relief, [Rego]	1
26	17414	(010000-) Fitting, Pipe, Str, Pm04/Pf02	1
27	23156	(010000-) Switch, Press, 12vdc 08a Spst Nc 0070psi	1
28	19760	(010000-014999) Hose, Lpg, Med05, Pm04str/Sm04str, 55.0l	1
29	67767	(010000-) Clamp, Cable, Stl, 0.69d X 0.62w, 1h	1
30	32490	(010000-) Washer, Flat, 0.25 Std	1
31	24928-1	(010000-) Tank, Lpg, 33lb, W/ Gauge [Empty] [Liq]	1
32	392645	(010000-014999) Fitting, Pipe, E45, Pm04/Pf04, [Swivel]	1
33	62865	(015000-) Hose, Lpg, Med05, Pm04str/Sm04str, 67.0l	1
34	11442-23	(015000-) Fitting, Pipe, Str, Pm04/Sf04	1

Fig. 39 - Engine Radiator Group (000000-009999)

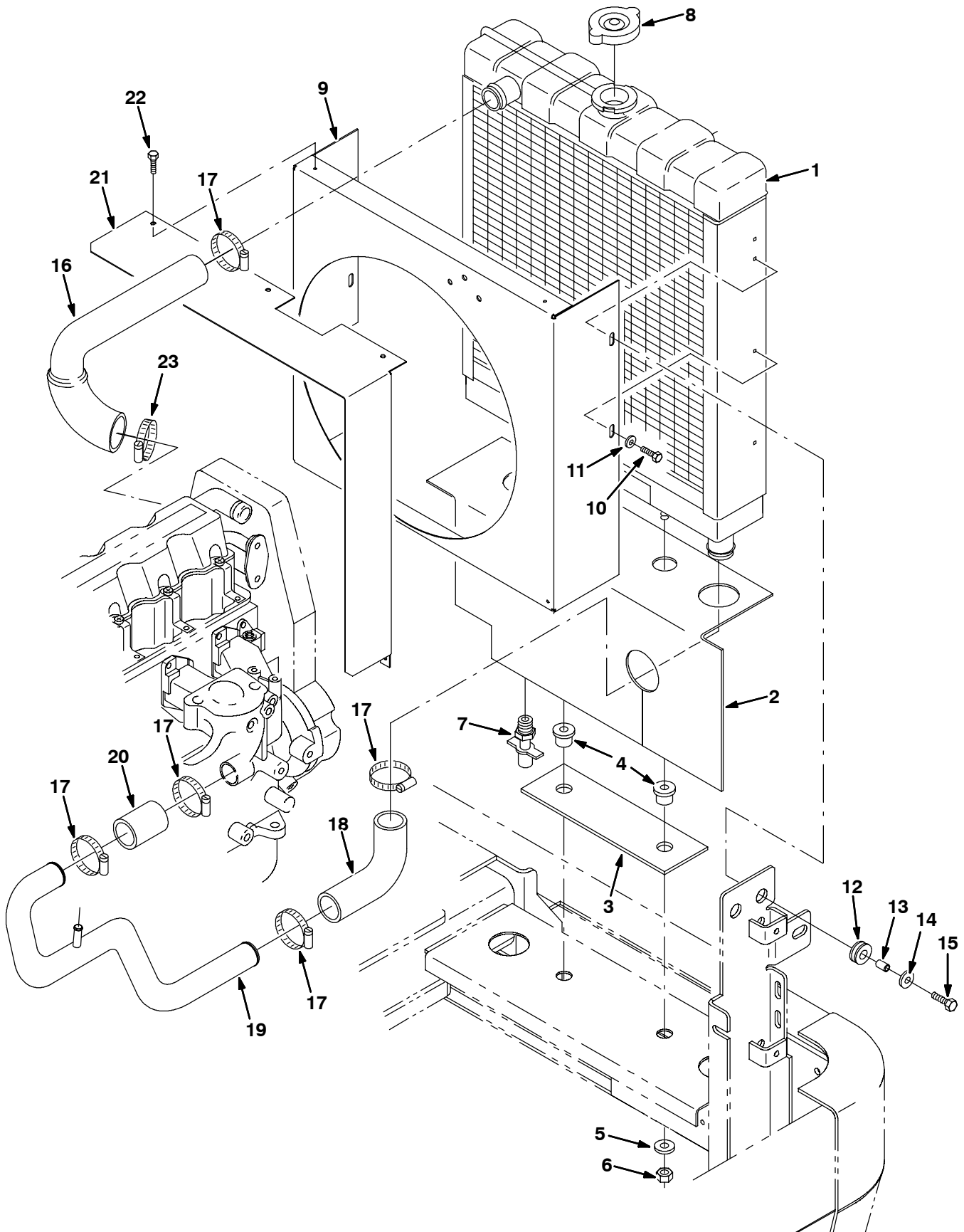


Fig. 39 - Engine Radiator Group (000000-009999)

Ref.	Part No.	Serial Number	Description	Qty.
1	1045316	(000000-009999)	Radiator Kit, Replmt, Ci	1
2	1008857	(000000-009999)	Skirt, Deflector, Air	1
3	59551	(000000-009999)	Bar, Flt, Stl, 0.18 X 3.0 X 10.0 L	1
4	54274	(000000-009999)	Isolator, Vib, Bshg, 1.1d 0.6l .4b 0.78h	2
5	32492	(000000-009999)	Washer, Flat, 0.38 Std	2
6	41430	(000000-009999)	Nut, Hex, Lock, M10 X 1.5, NI	2
7	51305	(000000-009999)	Fitting, Draincock, .25npt 90	1
8	1045764	(000000-009999)	Cap, Radiator, 14psi [Stant]	1
9	1007209	(000000-009999)	Panel, Shrd, Fan, Gas/LPG	1
10	06941	(000000-009999)	Screw, Hex, M 6 X 1.0 X 10, 8.8	3
11	32483	(000000-009999)	Washer, Flat, 0.25 Sae	3
12	86727	(000000-009999)	Grommet, Rbr, 0.50id, F/ 0.8h, .19matl	1
13	59881	(000000-009999)	Tube, 00.38d 00.28b 00.6l Stl	1
14	32490	(000000-009999)	Washer, Flat, 0.25 Std	1
15	06944	(000000-009999)	Screw, Hex, M 6 X 1.0 X 25, 8.8	1
16	1007226	(000000-009999)	Hose, Coolant, Mold, 1.25id To 1.62id	1
17	11531	(000000-009999)	Clamp, Hose, Wormdrive, 1.06-2.00d	5
18	1007482	(000000-009999)	Hose, Rbr, E90 1.25id 1.25id 04.2 3.1	1
19	377201	(000000-009999)	Tube, Coolant, 1.3d Lower, [6600/6650]	1
20	377212	(000000-009999)	Hose, Rbr, 1.25id 1.62od 02.2l	1
21	1016621	(000000-009999)	Guard, Belt, Fan, W/Label	1
22	20394	(000000-009999)	Screw, Hex, #10-16 X 0.62, Fmg, [AB]	4
23	22297	(000000-009999)	Clamp, Hose, Wormdrive, 1.56-2.50d	1

Fig. 40 - Engine Radiator Group (010000-)

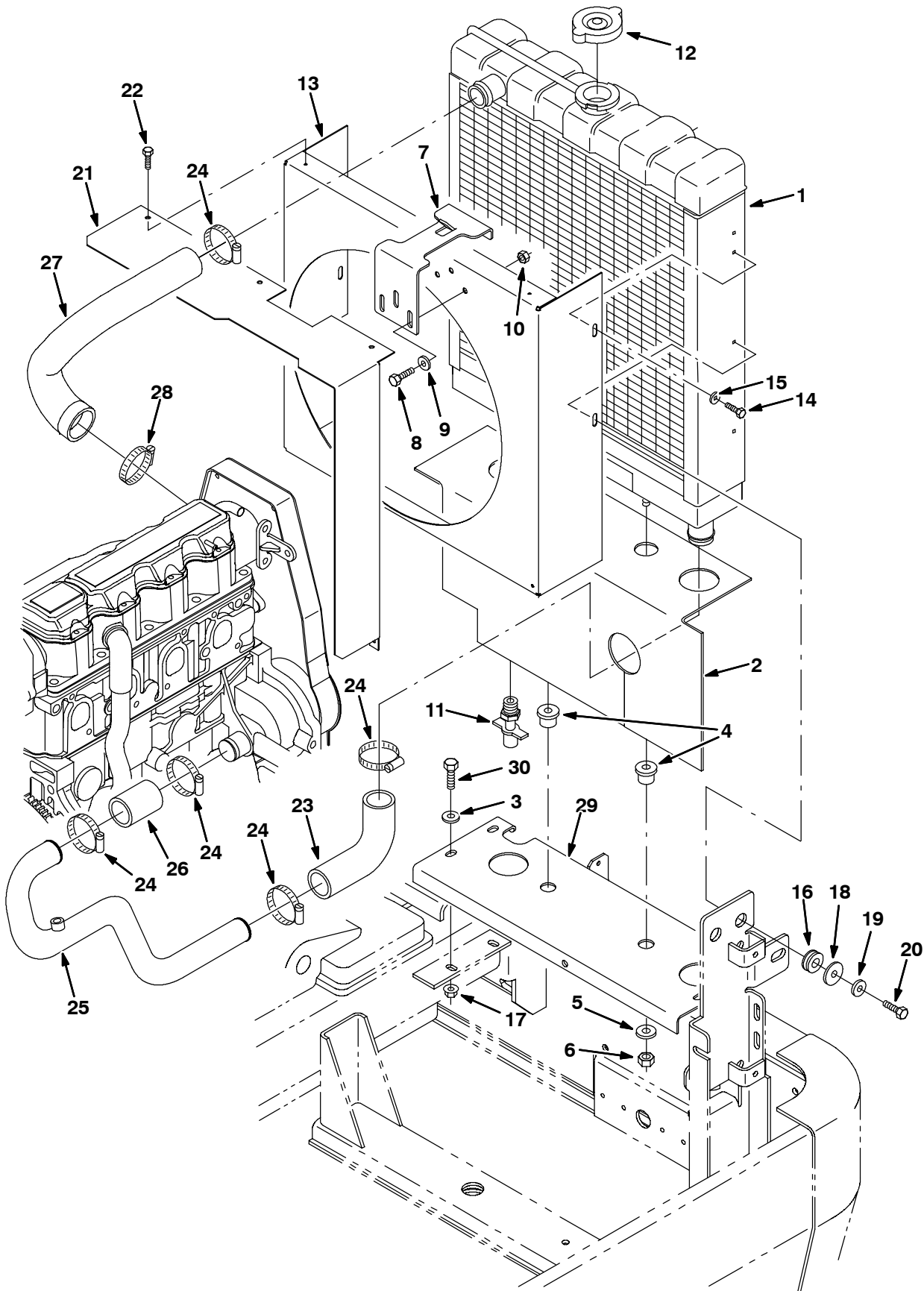


Fig. 40 - Engine Radiator Group (010000-)

Ref.	Part No.	Serial Number	Description	Qty.
1	1045316	(010000-) Radiator Kit, Replmt, Ci	1
2	1008857	(010000-) Skirt, Deflector, Air	1
3	32491	(010000-) Washer, Flat, 0.31 Std	3
4	54274	(010000-) Isolator, Vib, Bshg, 1.1d 0.6l .4b 0.78h	2
5	13248	(010000-) Washer, Flat, 0.40b 1.12d .12, Stl, Pl	2
6	41430	(010000-) Nut, Hex, Lock, M10 X 1.5, NI	2
7	1008693	(010000-) Bracket, Latch	1
8	06942	(010000-) Screw, Hex, M6 X 1.0 X 16, 8.8	3
9	32485	(010000-) Washer, Flat, 0.38 Sae	3
10	07790	(010000-) Nut, Hex, Flng, M6 X 1.0	3
11	54911-32	(010000-) Fitting, Draincock, .25npt	1
12	1045764	(010000-) Cap, Radiator, 14psi [Stant]	1
13	1007209	(010000-) Panel, Shrd, Fan, Gas/Lpg	1
14	87308	(010000-) Screw, Hex, M6 X 1.0 X 12, 8.8	3
15	32483	(010000-) Washer, Flat, 0.25 Sae	3
16	86727	(010000-) Grommet, Rbr, 0.50id, F/ 0.8h, .19matl	1
17	07791	(010000-) Nut, Hex, Flng, M8 X 1.25	3
18	41178	(010000-) Washer, Flat, 0.25 Fender	1
19	32490	(010000-) Washer, Flat, 0.25 Std	1
20	06943	(010000-) Screw, Hex, M6 X 1.0 X 20, 8.8	1
21	1016621	(010000-) Guard, Belt, Fan, W/Label	1
22	20394	(010000-) Screw, Hex, #10-16 X 0.62, Fmg, [Ab]	4
23	1007482	(010000-) Hose, Rbr, E90 1.25id 1.25id 04.2 3.1	1
24	11531	(010000-) Clamp, Hose, Wormdrive, 1.06-2.00d	5
25	1015552	(010000-) Tube, Coolant, 1.3d Lower [6600/6650]	1
26	377212	(010000-) Hose, Rbr, 1.25id 1.62od 02.2l	1
27	1014747	(010000-) Hose, Coolant, Mold, 1.25id To 1.62id	1
28	22297	(010000-) Clamp, Hose, Wormdrive, 1.56-2.50d	1
29	1013930	(010000-) Channel, Mtg, Radiator	1
30	16931	(010000-) Screw, Hex, M8 X 1.25 X 20, 8.8	3

STANDARD PARTS

Fig. 41 - Engine Radiator Overflow Tank Group, Gasoline (010000-)

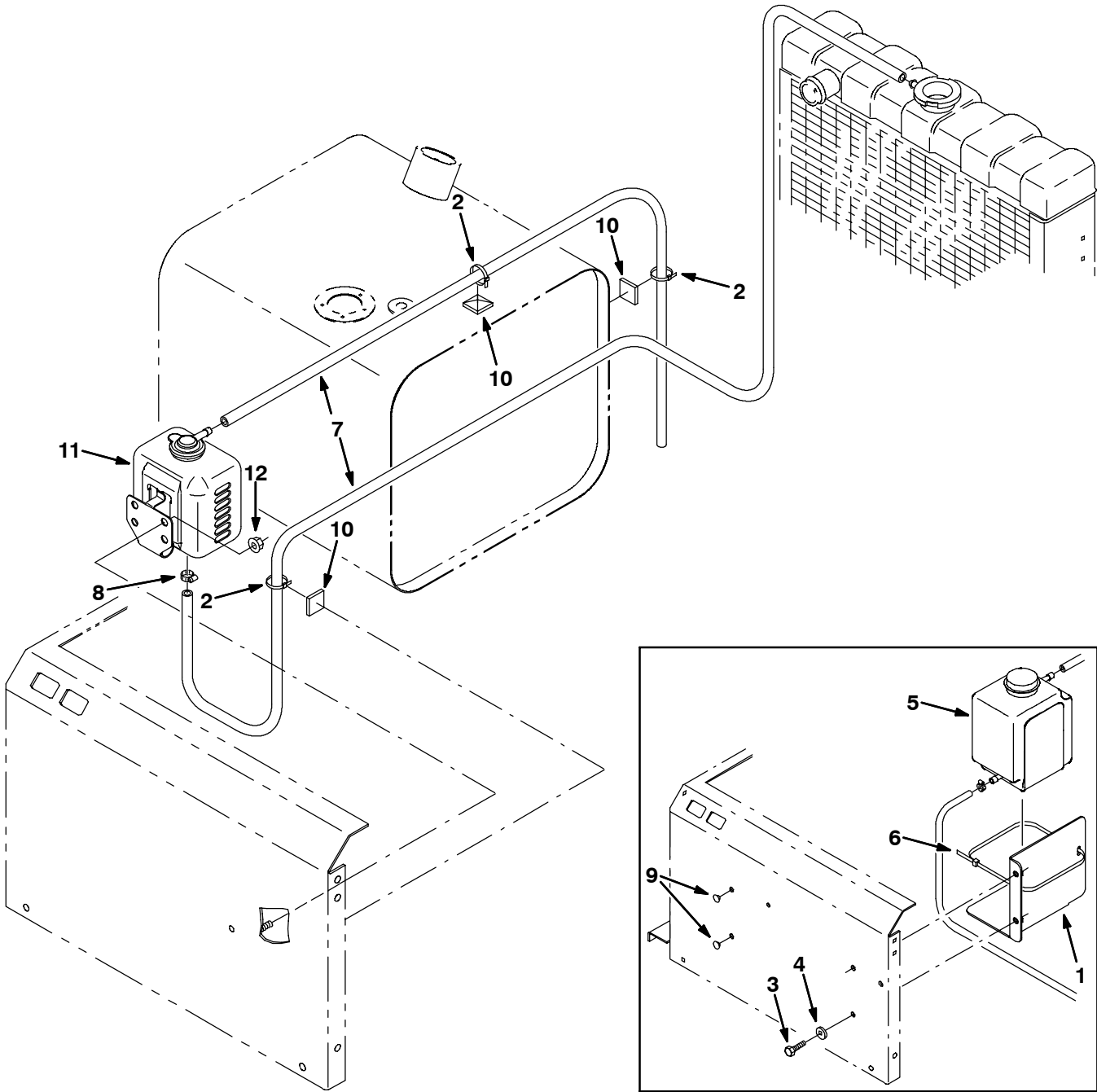
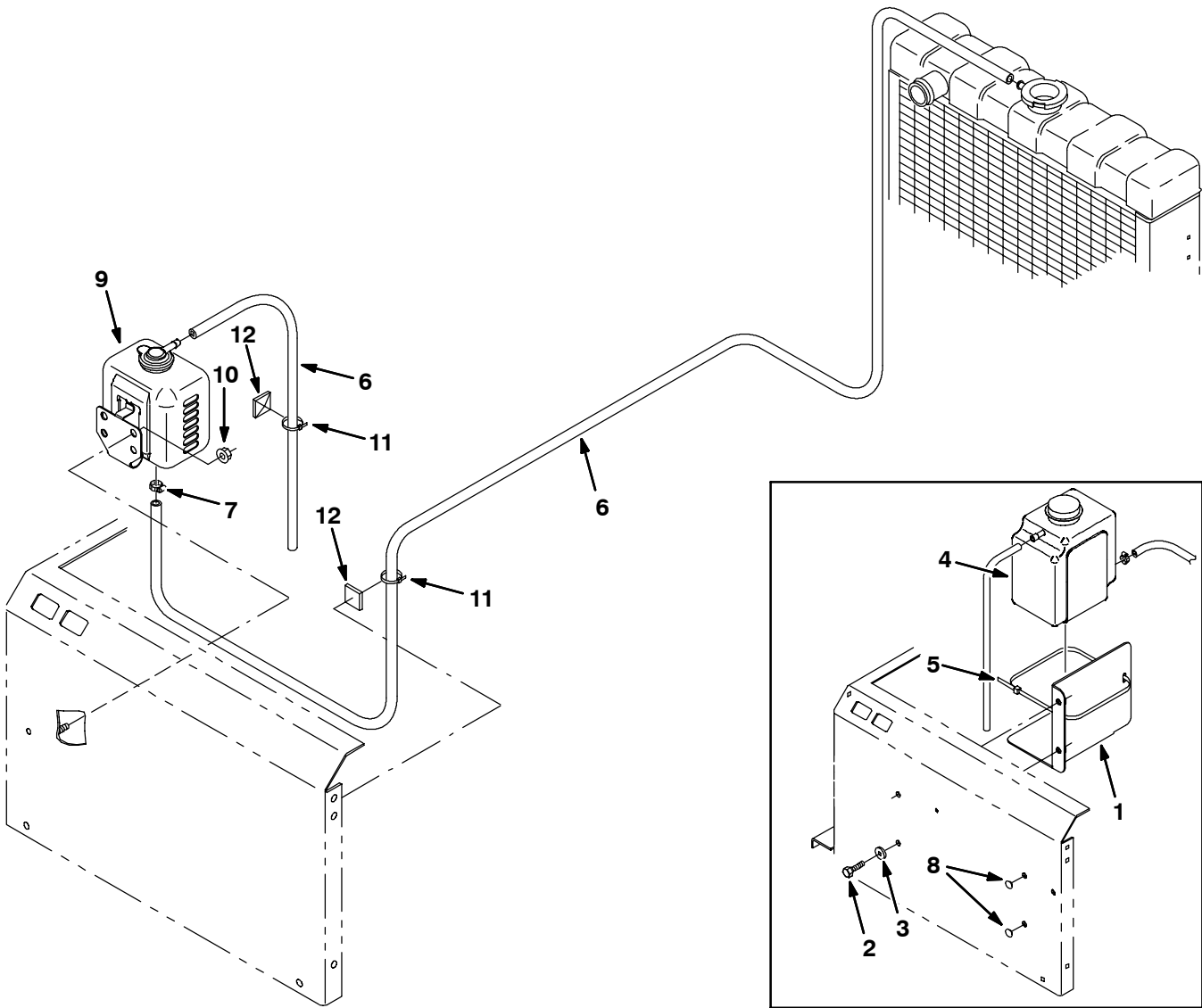


Fig. 41 - Engine Radiator Overflow Tank Group, Gasoline (010000-)

Ref.	Part No.	Serial Number	Description	Qty.
1	1014520	(010000-010468)	Bracket, Tank, Coolant Recvy	1
2	49266	(010000-)	Tie, Cable, Nyl, 07.3l .19w 1.8 Max D	3
3	16931	(010000-010468)	Screw, Hex, M8 X 1.25 X 20, 8.8	2
4	32490	(010000-010468)	Washer, Flat, 0.25 Std	2
5	768897	(010000-010468)	Tank, Coolant, 06.0 04.5 06.9deep 2.5 Qt	1
6	32815	(010000-010468)	Tie, Cable, Nyl, 28.5l .50w 8.0 Max D	1
7	1015054	(010000-)	Hose, Afmkt, Coolant Recvy, 12ft	1
8	43844	(010000-)	Clamp, Hose, Wormdrive, 0.25-0.62d	1
9	33806	(010000-010468)	Button, Plug, 0.38h .03-.12 [White Nyl]	2
10	55248	(010000-)	Mount, Cable Tie	3
11	1023853	(010469-)	Tank, Coolant, 04.7 03.3 4.7deep, 1liter	1
12	07790	(010469-)	Nut, Hex, Flng, M6 X 1.00	2

STANDARD PARTS

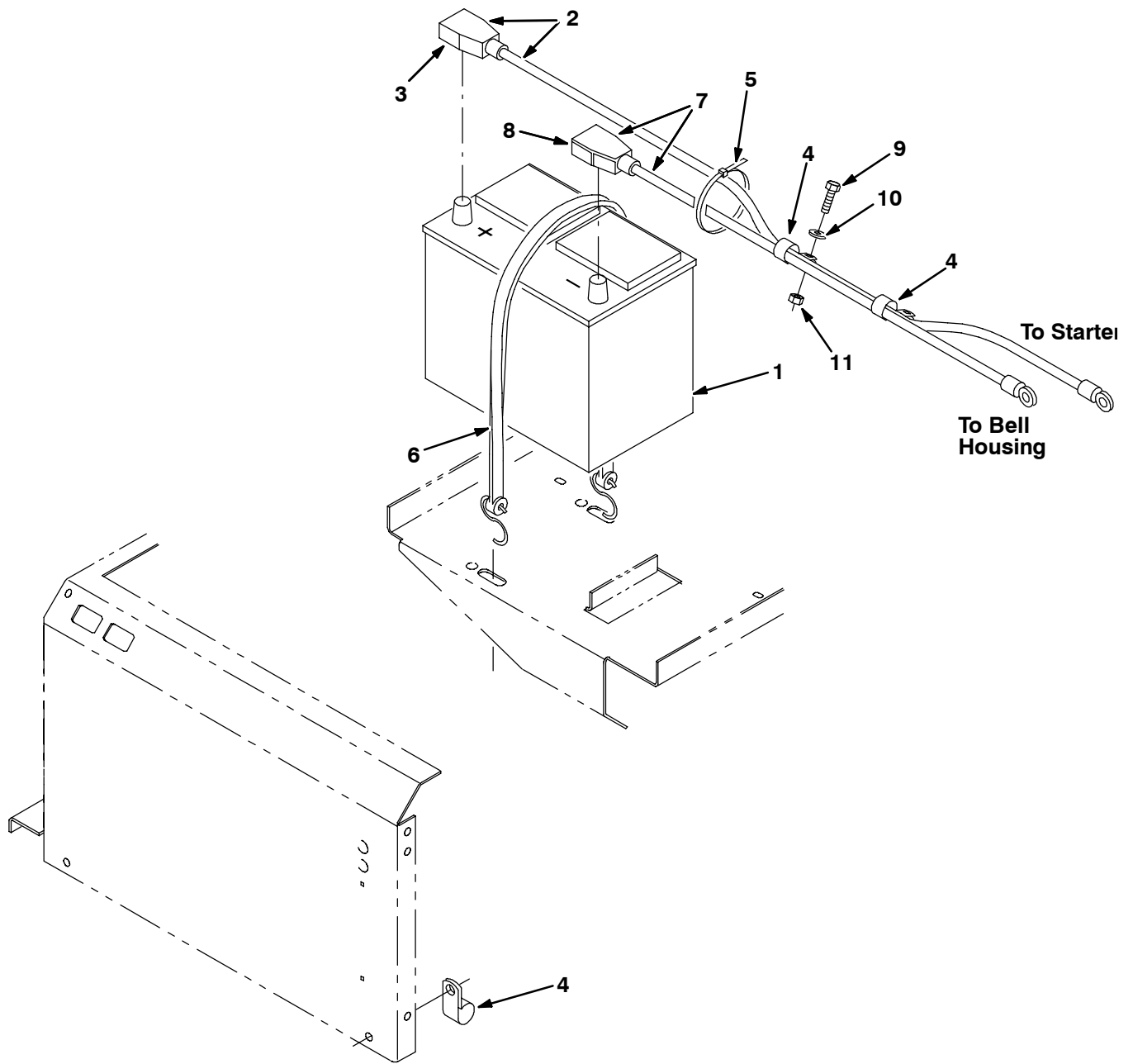
Fig. 42 - Enigne Radiator Overflow Tank Group, LPG (010000-)



354199 - 6600, 6650, G/LP

Ref.	Part No.	Serial Number	Description	Qty.
1	1014520	(010000-010468)	Bracket, Tank, Coolant Recvy	1
2	16931	(010000-010468)	Screw, Hex, M8 X 1.25 X 20, 8.8	2
3	32490	(010000-010468)	Washer, Flat, 0.25 Std	2
4	768897	(010000-010468)	Tank, Coolant, 06.0 04.5 06.9deep 2.5 Qt	1
5	32815	(010000-010468)	Tie, Cable, Nyl, 28.5l .50w 8.0 Max D	1
6	1015054	(010000-)	Hose, Afmkt, Coolant Recvy, 12ft	1
7	43844	(010000-)	Clamp, Hose, Wormdrive, 0.25-0.62d	1
8	33806	(010000-010468)	Button, Plug, 0.38h .03-.12 [White Nyl]	2
9	1023853	(010469-)	Tank, Coolant, 04.7 03.3 4.7deep, 1liter	1
10	07790	(010469-)	Nut, Hex, FIng, M6 X 1.00	2
11	49266	(010469-)	Tie, Cable, Nyl, 07.3l .19w 1.8 Max D	2
12	55248	(010469-)	Mount, Cable Tie	2

Fig. 43 - Battery Group, Gasoline



353918 - 6600, 6650, G

Ref.	Part No.	Serial Number	Description	Qty.
	1	10137	(000000-) Battery, 12vdc, 0475cca, Wet	1
▽	2	60292	(000000-) Cable, Battery, Pos 2ga 66.0l .41 Hole	1
▲	3	68873	(000000-) Boot, Cable, Battery, Red	1
	4	69234	(000000-) Clamp, Cable, Stl, 1.00d X 0.62w, 1h	3
	5	49266	(000000-) Tie, Cable, Nyl, 07.3l .19w 1.8 Max D	4
	6	33671	(000000-) Strap, Rbr, Tie-Down, 2/Hooks 19.0l	1
▽	7	60295	(000000-) Cable, Battery, Neg 2ga 60.0l .41 Hole	1
▲	8	68872	(000000-) Boot, Cable, Battery, Black	1
	9	16931	(000000-) Screw, Hex, M 8 X 1.25 X 20, 8.8	2
	10	39349	(000000-) Washer, Flat, 0.31 Sae	2
	11	07791	(000000-) Nut, Hex, Flng, M08 X 1.25	2

Fig. 44 - Battery Group, LPG

Ref.	Part No.	Serial Number	Description	Qty.
	1	10137	(000000-) Battery, 12vdc, 0475cca, Wet	1
▽	2	1010227	(000000-) Cable, Battery, Pos 2ga 84.0l .41h	1
▲	3	68873	(000000-) Boot, Cable, Battery, Red	1
	4	69234	(000000-) Clamp, Cable, Stl, 1.00d X 0.62w, 1h	3
	5	49266	(000000-) Tie, Cable, Nyl, 07.3l .19w 1.8 Max D	4
	6	39272	(000000-) Nut, Wing, .31-18	2
	7	379733	(000000-) Tray, Battery (6650XP Only)	1
	8	1012982	(000000-) Bracket, Weight, Counter (6650XS Only)	1
	9	13015	(000000-) Bolt, Hold-Down, Battery 08.5l	2
	10	07791	(000000-) Nut, Hex, Flng, M08 X 1.25	2
▽	11	380558	(000000-) Cable, Battery, Neg 2ga 72.0l .41 Hole	1
▲	12	68872	(000000-) Boot, Cable, Battery, Black	1
	13	39277	(000000-) Screw, Hex, M 8 X 1.25 X 25, 8.8	2
	14	32491	(000000-) Washer, Flat, 0.31 Std	2
	15	30013	(000000-) Washer, Flat, 0.31 Fender	2
	16	16931	(000000-) Screw, Hex, M 8 X 1.25 X 20, 8.8	2
	17	39349	(000000-) Washer, Flat, 0.31 Sae	2
	18	71021	(000000-) Cover, Battery, 06.9w 12.0l	1

Fig. 45 - Wheel Group, Rear Drive

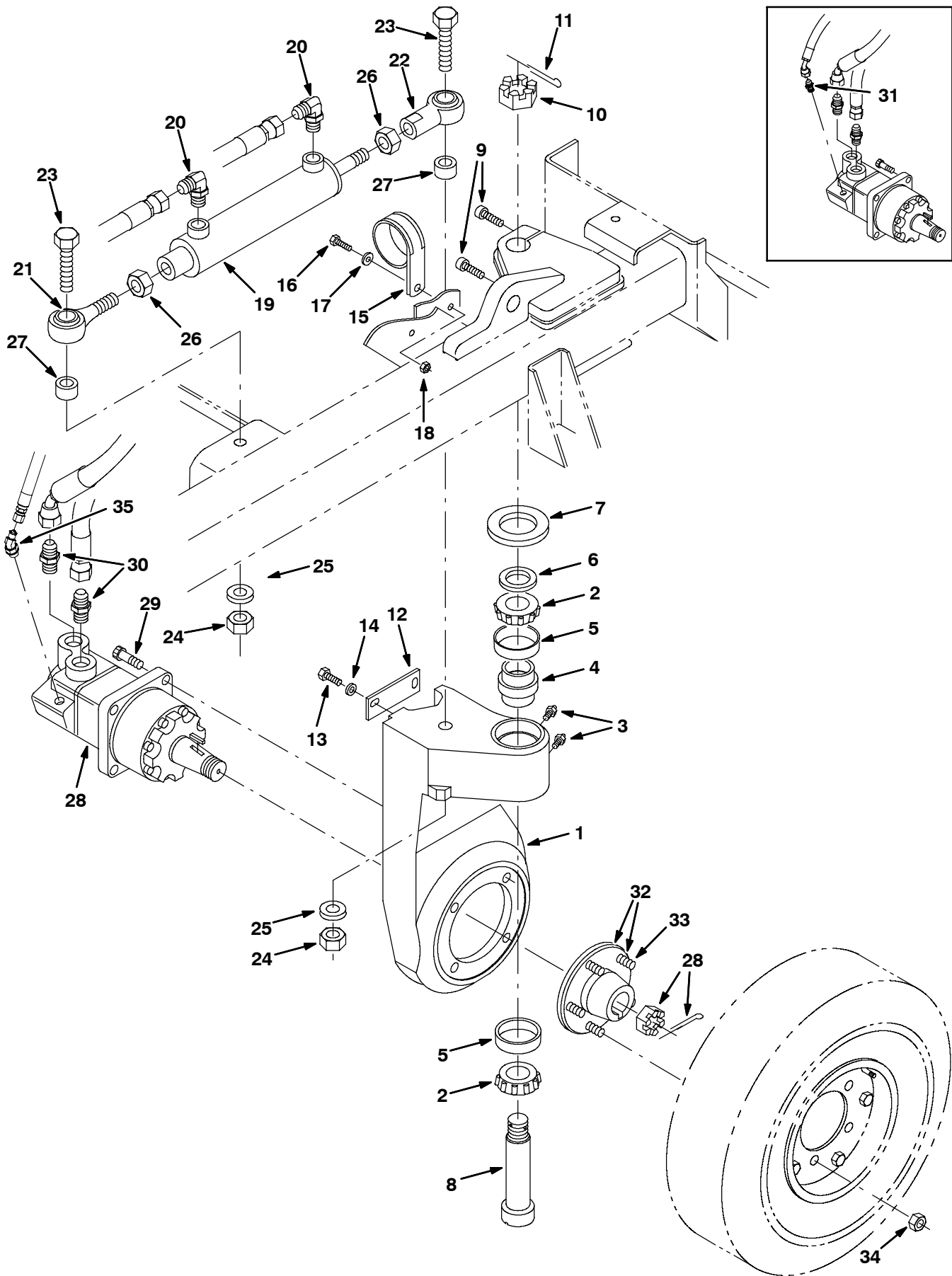


Fig. 45 - Wheel Group, Rear Drive

Ref.	Part No.	Serial Number	Description	Qty.	
1	374561	(000000-) Housing, Sppt, Drive, Rear	1	
2	51339	(000000-) Bearing, Cone, 1.38b 0.71w	2	
3	47801	(000000-) Fitting, Grease, Str Pm04 .63l	2	
4	374560	(000000-) Seal, Rear Drive Grease Cavity	1	
5	51338	(000000-) Bearing, Cup, 2.56d 0.55w	2	
6	54051	(000000-) Washer, 1.39b 2.12d .13, Stl	1	
7	374563	(000000-) Washer, 2.16b 3.50d .16, Felt	1	
8	73281	(000000-) Pin	1	
9	72926	(000000-) Screw, Soc, M16 X 2.0 X 50, 12.9	2	
10	54052	(000000-) Nut, Hex, Slt'd, 1.12-18	1	
11	08329	(000000-) Pin, Cotter, .125 X 2.50	1	
12	58842	(000000-) Bar, Flt, Stl, 0.19 X 1.50 X 04.10l	1	
13	09011	(000000-) Screw, Hex, M 8 X 1.25 X 30, Ss	2	
14	32491	(000000-) Washer, Flat, 0.31 Std	2	
15	70157	(000000-) Clamp, Cable, Ss, 2.50d X 1.00w, 1h	1	
16	09740	(000000-) Screw, Hex, M 8 X 1.25 X 20, Ss	1	
17	39349	(000000-) Washer, Flat, 0.31 Sae	1	
18	07791	(000000-) Nut, Hex, Flng, M08 X 1.25	1	
19	53601	(000000-010886) Cylinder, Hyd, 2.0b,15.0l,08.00strk,1500 (See Breakdowns)	1	
19	1028492	(010887-) Cylinder, Hyd, 2.0b,15.0l,08.00strk,1500	1	
20	56820	(000000-) Fitting, Hyd, E90, Jm06/Om06	2	
21	64886	(000000-) Rod-End, .75-16rh Mal 0.75b	1	
22	64887	(000000-) Rod-End, .75-16rh Fem 0.75b	1	
23	374553	(000000-) Screw, Hex, .75-10 X 3.50, 5	2	
24	43958	(000000-) Nut, Hex, Std, .75-16	2	
25	39350	(000000-) Washer, Flat, 0.75 Sae	2	
26	32987	(000000-) Nut, Hex, Lock, .75-10, NI	2	
27	374552	(000000-) Tube, 00.75d 00.25b 00.8l Stl Plt	2	
28	379609	(000000-) Motor, Hyd, Gear, [Int], 19.0 X 3000 (See Breakdowns)	1	
29	19583	(000000-) Screw, Soc, .50-13 X 1.50, AI	4	
30	42223	(000000-) Fitting, Hyd, Str, Jm10/Om12	2	
31	55685	(000000-015164) Fitting, Hyd, Str, Jm04/Om06	1	
▽	32	54087	(000000-) Hub Assy, Wheel, 5 Bolt 4.50bc Taper B	1
▲	33	32126	(000000-) Stud, Wheel, .50-20 X 1.50	5
	34	24339	(000000-) Nut, Wheel, .50-20 X 60 Angle	5
	35	393215	(015165-) Fitting, Hyd, E45, Jm04/Om06	1

Fig. 46 - Wheel Assembly, Rear

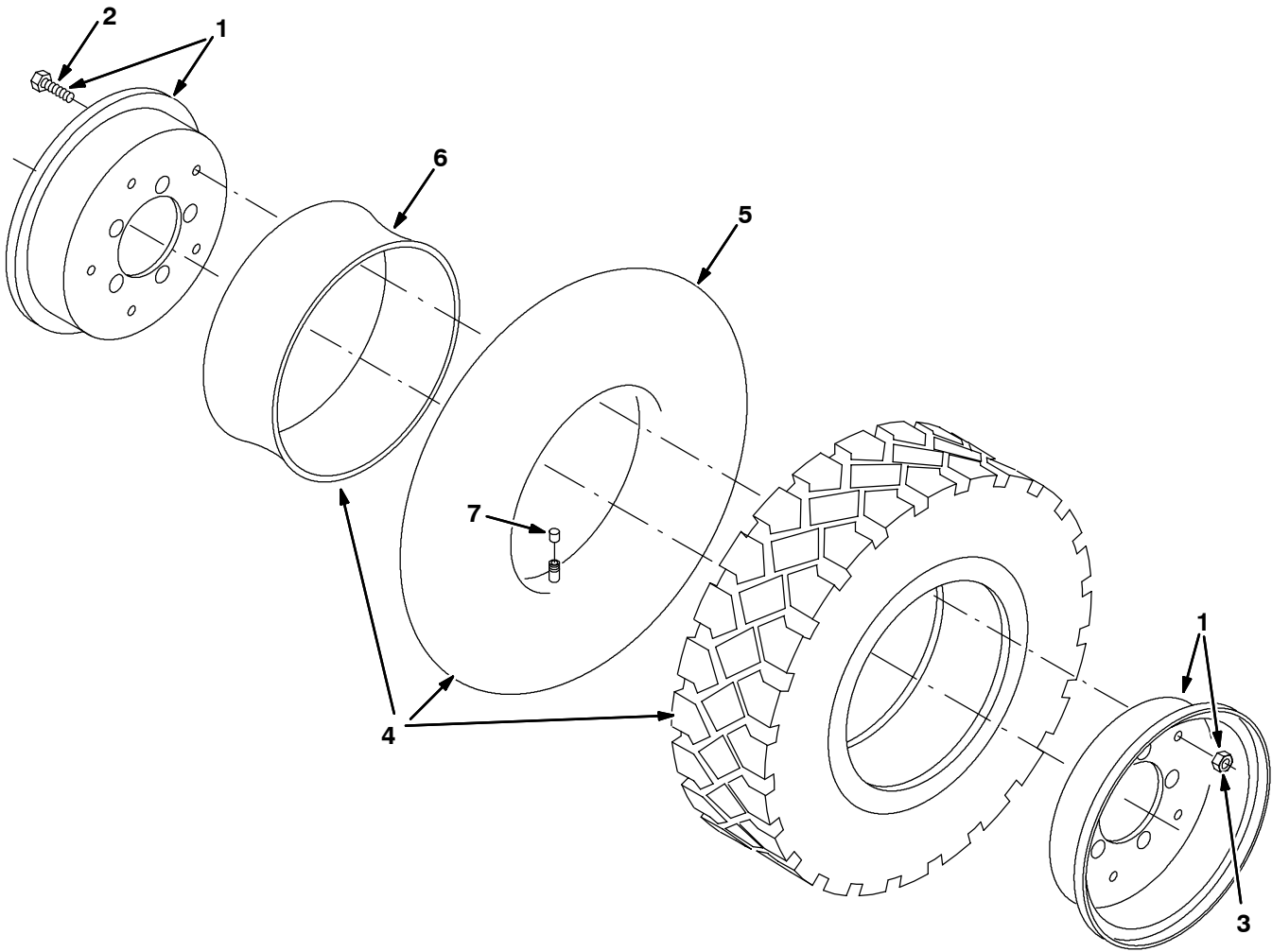


Fig. 46 - Wheel Assembly, Rear

	Ref.	Part No.	Serial Number	Description	Qty.
		70287	(000000-) Tire Assy, Pneu, 570/500-08 4.5bc/5bolt	1
▲▽	1	53818	(000000-) Rim Assy, 08 X 3.76 4.5bc/5b	1
▲▲	2	370181	(000000-) Screw, Hex, M10 X 1.5 X 25, 10.9	5
▲▲	3	41430	(000000-) Nut, Hex, Lock, M10 X 1.5, NI	5
▲▽	4	53819	(000000-) Tire, W/Tube & Flap	1
▲▲	5	70280	(000000-) Innertube, [5.00r-8],[Js2] Valve,[500-8]	1
▲▲	6	53819-2	(000000-) Flap, Tire/Tube, 570/500-8	1
▲▲	7	45786	(000000-) Cap, Valve, Tire, Tubeless	1

Fig. 47 - Wheel and Brakes Group, Front

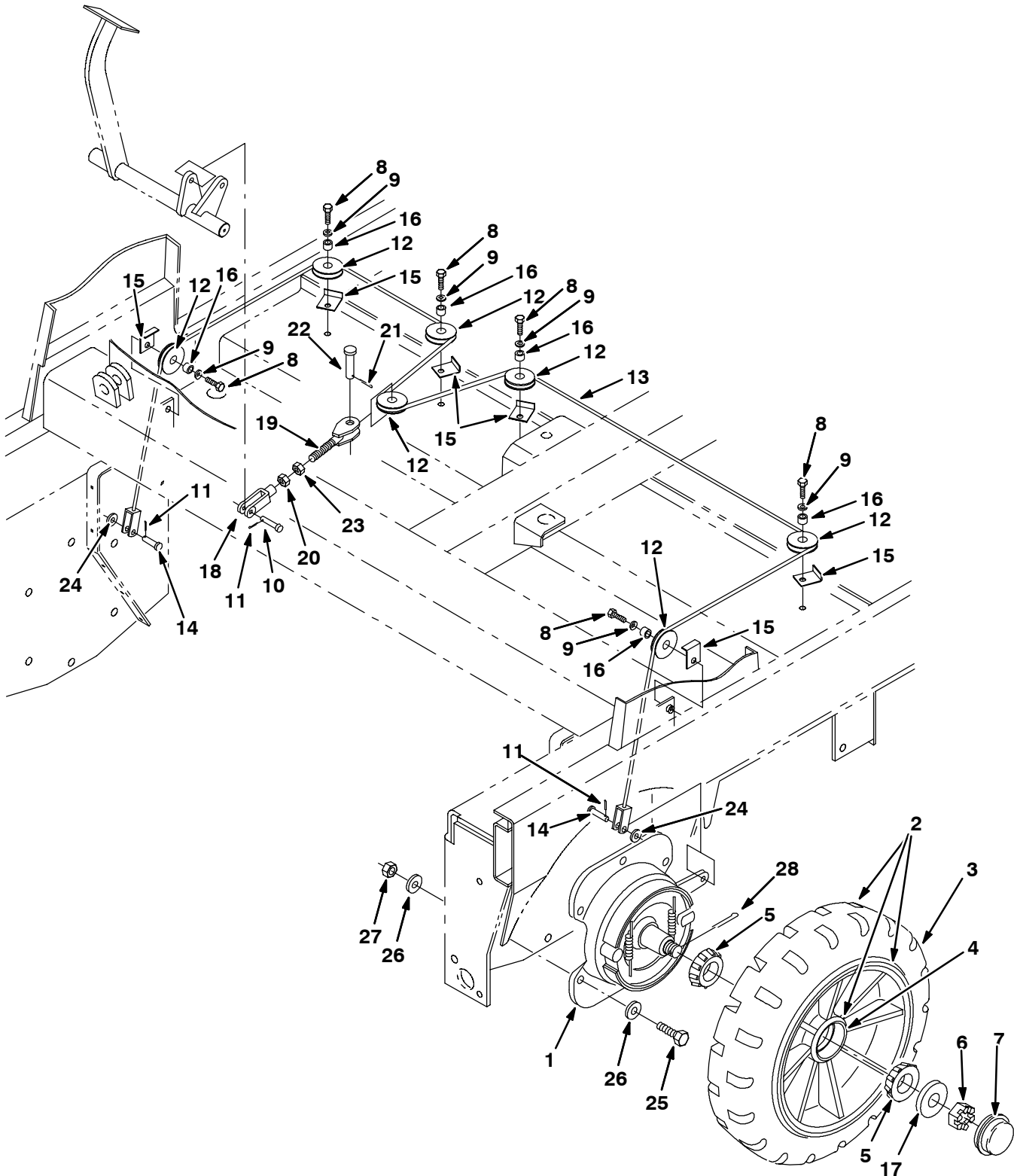


Fig. 47 - Wheel and Brakes Group, Front

Ref.	Part No.	Serial Number	Description	Qty.
▽	1	54577	(000000-) Brake Assy, Drum, Mech, 07.9d	2
▲		66211	(000000-) Shoe, Brake	2
▲▽		66213	(000000-) Kit, Brake	1
▲▲		70161	(000000-) Shaft	1
▲		70158	(000000-) Spring	2
▽	2	54437	(000000-) Tire Assy, Solid, 18.0x5.0 1.56b	2
▲	3	54567	(000000-) Tire, Solid, 18.0 X 5.0 X 12.1 No Rim	1
▲	4	51338	(000000-) Bearing, Cup, 2.56d 0.55w	2
	5	51339	(000000-) Bearing, Cone, 1.38b 0.71w	4
	6	14242	(000000-) Nut, Hex, Slt'd, 1.00-20	2
	7	54390	(000000-) Cap, Hub, Dust 2.57d 0.77l	2
	8	09011	(000000-) Screw, Hex, M 8 X 1.25 X 30, Ss	6
	9	39349	(000000-) Washer, Flat, 0.31 Sae	6
	10	86240	(000000-) Pin, Clevis, 0.38 D X 1.13l	1
	11	39005	(000000-) Pin, Cotter, .094 X 0.75	3
	12	369781	(000000-) Pulley, Cable, 1.5d, Nyl	7
	13	54617	(000000-) Cable, .19d, 105.8l, .4clevis/.4clevis	1
	14	09088	(000000-) Pin, Clevis, 0.37 D X 1.00l	2
	15	54400	(000000-) Bracket, Angle, Keeper, Cable	6
	16	222460	(000000-) Sleeve, P/M, 0.496d 0.318b 0.50l 430ss	6
	17	32969	(000000-) Washer, Flat, 1.00 Sae	2
	18	374710	(000000-) Clevis, Adj, 0.38pin, 0.50 - 20	1
	19	71373	(000000-) Clevis Wldt, Adj, .50pin 0.50-20, PI	1
	20	43957	(000000-) Nut, Hex, Std, .50-20	1
	21	08182	(000000-) Pin, Cotter, .125 X 1.00	1
	22	58078	(000000-) Pin, Clevis, 0.50 D X 1.25l	1
	23	48985	(000000-) Nut, Hex, Jam, .50-20	1
	24	32485	(000000-) Washer, Flat, .38 Sae	2
	25	06969	(000000-) Screw, Hex, M12 X 1.75 X 40, 8.8	12
	26	32486	(000000-) Washer, Flat, 0.50 Sae	24
	27	08711	(000000-) Nut, Hex, Lock, M12 X 1.75,NI	12
	28	08202	(000000-) Pin, Cotter, .125 X 1.75	2

Fig. 48 - Brake Lever and Pedal Group

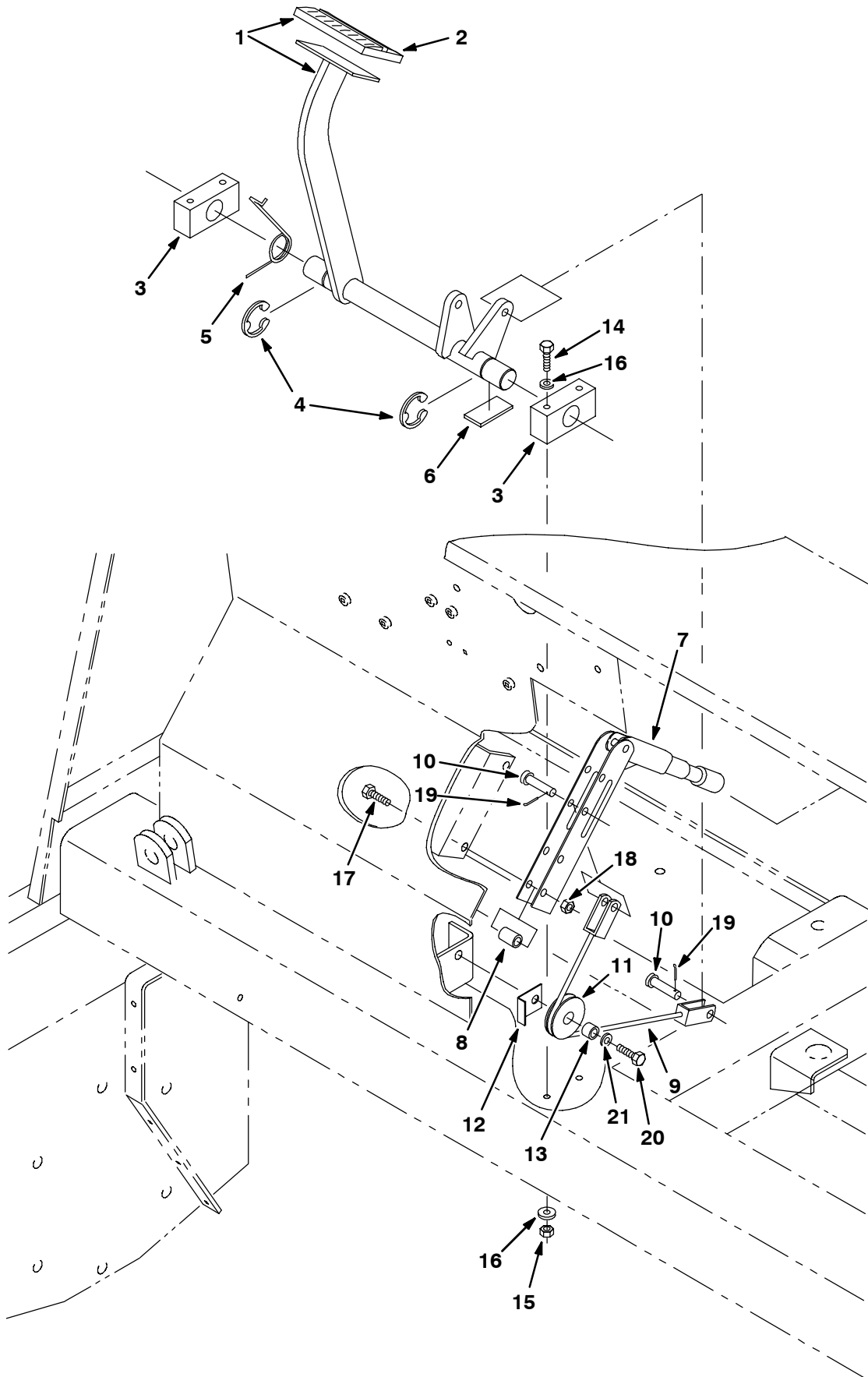


Fig. 48 - Brake Lever and Pedal Group

Ref.	Part No.	Serial Number	Description	Qty.
▽ 1	72132	(000000-) Shaft Assy, Pedal, Brake, W/ Pad	1
▲ 2	51109	(000000-) Pad, Pedal, Brake, 3.9 2.4 0.75t	1
3	86751	(000000-) Bearing	2
4	23788	(000000-) Ring, Retaining, Ext, 0.98d, [E-Ring]	2
5	54607	(000000-) Spring, Tors, 1.13id .12wir 02.3coil Rh	1
6	69933	(000000-) Strip, Rbr, 0.13 01.00w 02.0l	1
7	51545	(000000-) Lever, Brake, Parking	1
8	51562	(000000-) Tube, 00.51d 00.33b 00.8l Stl Plt	2
9	54616	(000000-) Cable, .19d, 20.0l, .4clevis/.4clevis	1
10	86240	(000000-) Pin, Clevis, 0.38 D X 1.13l	2
11	369781	(000000-) Pulley, Cable, 1.5d, Nyl	1
12	54400	(000000-) Bracket, Angle, Keeper, Cable	1
13	222460	(000000-) Sleeve, P/M, 0.496d 0.318b 0.50l 430ss	1
14	58979	(000000-) Screw, Hex, M 6 X 1.00 X 55, Ss	4
15	08712	(000000-) Nut, Hex, Lock, M 6 X 1.0, NI, Ss	4
16	32490	(000000-) Washer, Flat, 0.25 Std	8
17	06956	(000000-) Screw, Hex, M 8 X 1.25 X 45, 8.8	2
18	08709	(000000-) Nut, Hex, Lock, M 8 X 1.25 NI	2
19	39005	(000000-) Pin, Cotter, .094 X 0.75	2
20	06955	(000000-) Screw, Hex, M 8 X 1.25 X 35, 8.8	1
21	39349	(000000-) Washer, Flat, 0.31 Sae	1

Fig. 49 - Directional Pedal Group

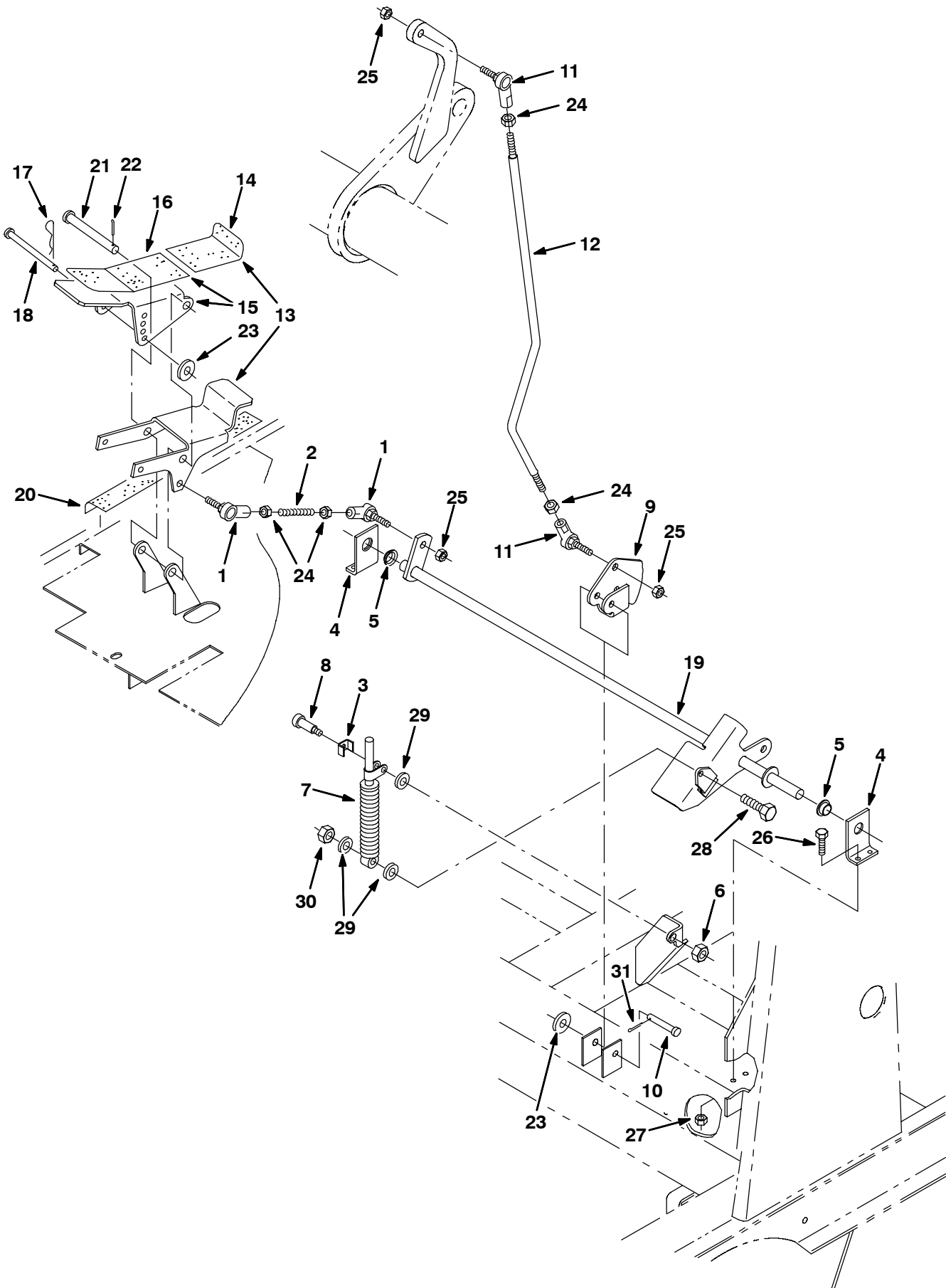


Fig. 49 - Directional Pedal Group

Ref.	Part No.	Serial Number	Description	Qty.	
1	05686	(000000-) Rod-End, M10 X 1.5rh Fem M10 X 1.5stud	2	
2	54996	(000000-) Rod, Thrd, Full, M10x1.5 03.3l	1	
3	84170	(000000-) Bracket, Retainer, Safety	1	
4	53927	(000000-) Bracket, Sppt, Control Rod	2	
5	04843	(000000-) Bushing, Flng, 0.63b 0.72d 0.25l	2	
6	75934	(000000-) Nut, Hex, Lock, .25-20, NI	1	
7	73411	(000000-) Shock Absorber, 2.3 Strk	1	
8	16213	(000000-) Bolt, Shld, .31d X 1.00, .25-20	1	
9	379732	(000000-) Bracket, Speed Limiter	1	
10	51813	(000000-) Pin, Clevis, 0.37 D X 2.12l	1	
11	05686	(000000-) Rod-End, M10 X 1.5rh Fem M10 X 1.5stud	2	
12	374520	(000000-) Rod, Thrd, Limiter,Speed, M10x1.5	1	
▽	13	72130	(000000-) Pedal, Propel, Lower, W/ Tread	1
▲	14	75430	(000000-) Tread, Non-Skid, 02.2w 15.5l	1
▽	15	72131	(000000-) Pedal, Propel, Upper, W/ Tread	1
▲	16	75430	(000000-) Tread, Non-Skid, 02.2w 15.5l	1
17	44906	(000000-) Pin, Hair Cotter, 0.69 D .092 Wir	1	
18	59672	(000000-) Pin, Clevis, 0.37 D X 4.50l	1	
19	1007794	(000000-) Shaft Wldt, Link, Propel, Gas / Lpg	1	
20	75430	(000000-) Tread, Non-Skid, 02.2w 15.5l	1	
21	59668	(000000-) Pin, Clevis, 0.50 D X 4.50l	1	
22	08182	(000000-) Pin, Cotter, .125 X 1.00	1	
23	32492	(000000-) Washer, Flat, 0.38 Std	2	
24	39312	(000000-) Nut, Hex, Std, M10 X 1.5	4	
25	41430	(000000-) Nut, Hex, Lock, M10 X 1.5, NI	4	
26	06943	(000000-) Screw, Hex, M 6 X 1.0 X 20, 8.8	4	
27	07790	(000000-) Nut, Hex, Flng, M06 X 1.0	4	
28	41342	(000000-) Screw, Hex, M 8 X 1.25 X 40, 8.8	1	
29	32491	(000000-) Washer, Flat, 0.31 Std	3	
30	08709	(000000-) Nut, Hex, Lock, M 8 X 1.25 NI	1	
31	39005	(000000-) Pin, Cotter, .094 X 0.75	1	

Fig. 50 - Hydraulic Pump Linkage Group

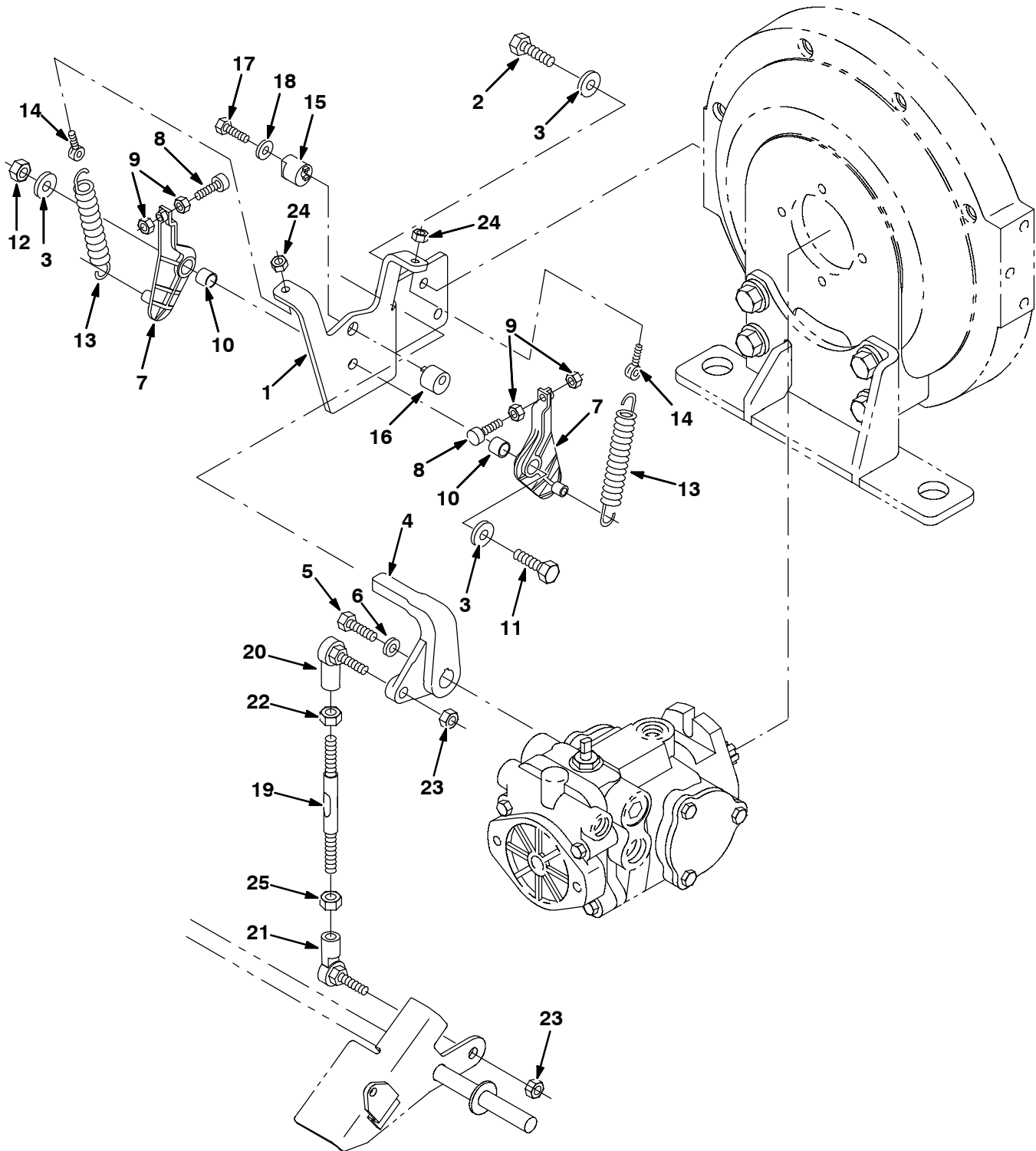


Fig. 50 - Hydraulic Pump Linkage Group

Ref.	Part No.	Serial Number	Description	Qty.
1	1005949	(000000-) Bracket, Propel, Gas / Lpg	1
2	21197	(000000-) Screw, Hex, .38-16 X 1.00, 5	2
3	32492	(000000-) Washer, Flat, 0.38 Std	4
4	54999	(000000-) Arm, Cntrl, Pintle, Casting	1
5	50045	(000000-) Screw, Hex, .31-24 X 0.62, 5	1
6	41186	(000000-) Washer, Belleville, .31	1
7	53953	(000000-) Arm, Cntrl, Pintle, Centering	2
8	54205	(000000-) Bumper, Rbr, 0.5d 0.16t M5 X 08	2
9	50335	(000000-) Nut, Hex, Std, M05 X 0.8	4
10	63234	(000000-) Tube, Rnd, 0.50d 0.38b 00.6l, Ss	2
11	42467	(000000-) Screw, Hex, .38-16 X 2.00, Ss	1
12	36643	(000000-) Nut, Hex, Lock, .38-16, NI, Thin	1
13	11842	(000000-) Spring, Extn, 0.75od X 0.12wir, 4.3l	2
14	48079	(000000-) Bolt, Eye, .25-20 X 1.40 X .25 Eye	2
15	53947	(000000-) Cam, Centering, Pintle	1
16	54655	(000000-) Cam, Centering, Pintle	1
17	74440	(000000-) Screw, Hex, M 8 X 1.25 X 40, Ss, NI	1
18	39349	(000000-) Washer, Flat, 0.31 Sae	1
19	04921	(000000-) Rod, Thrd, 2 End, M10x1.5 06.6l 1/Lh	1
20	05686	(000000-) Rod-End, M10 X 1.5rh Fem M10 X 1.5stud	1
21	05685	(000000-) Rod-End, M10 X 1.5lh Fem M10 X 1.5stud	1
22	39312	(000000-) Nut, Hex, Std, M10 X 1.5	1
23	41430	(000000-) Nut, Hex, Lock, M10 X 1.5, NI	2
24	32981	(000000-) Nut, Hex, Lock, .25-20, NI	2
25	09775	(000000-) Nut, Hex, Std, M10-1.5 , Ss	1

Fig. 51 - Hopper Group (6650 XP)

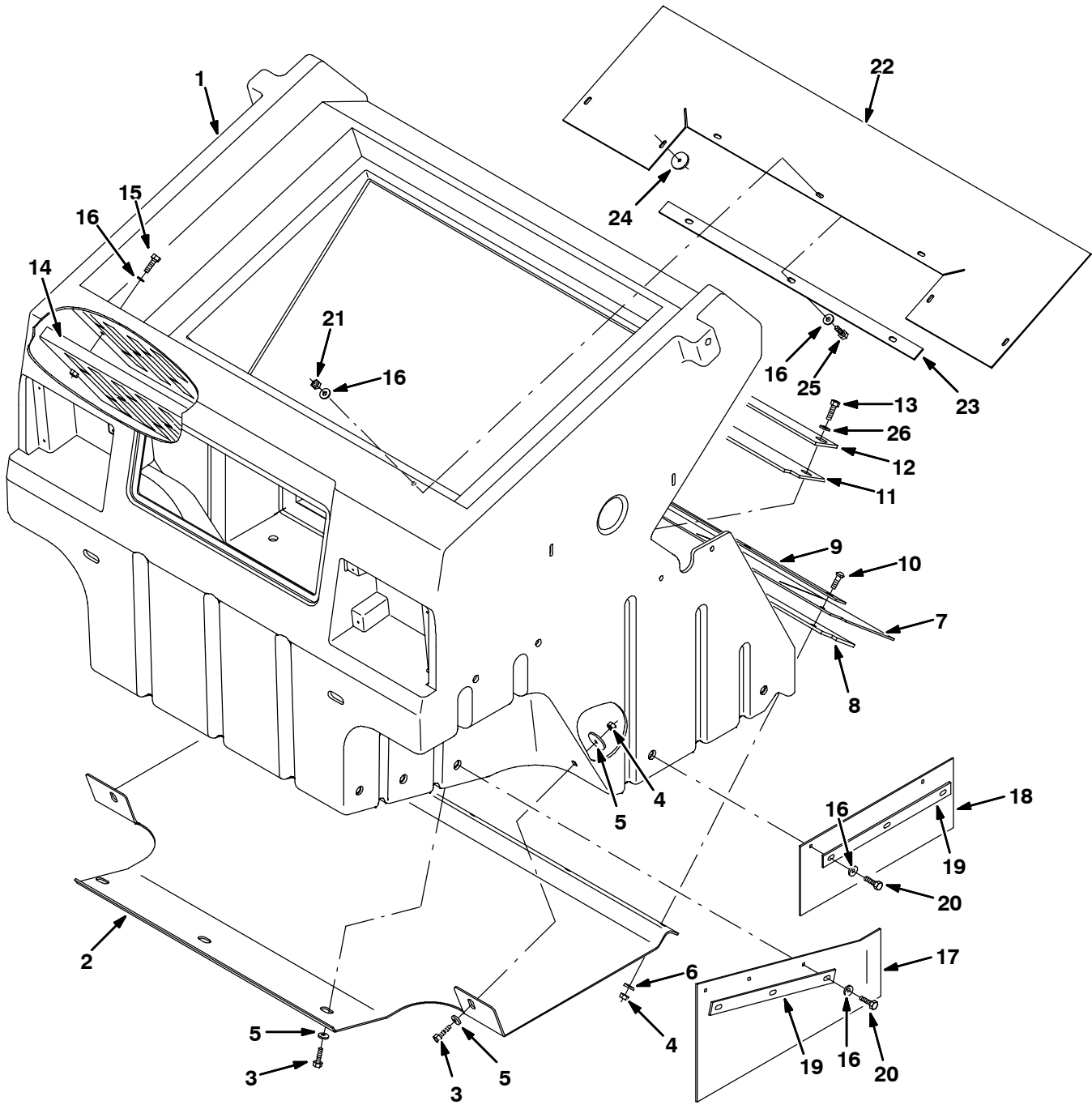


Fig. 51 - Hopper Group (6650 XP)

Ref.	Part No.	Serial Number	Description	Qty.
1	377061	(000000-) Hopper, Plstc [6600/6650xp]	1
2	377008	(000000-) Plate Wldt, Bottom, Hppr, [6600/6650xp]	1
3	49826	(000000-) Screw, Hex, M 8 X 1.25 X 16, Ss, NI	5
4	08713	(000000-) Nut, Hex, Lock, M 8 X 1.25, NI, Ss	7
5	379829	(000000-) Washer, 0.34b 1.50d .12, Stl, PI	12
6	01685	(000000-) Washer, Flat, 0.31 Ss	10
7	379706	(000000-) Skirt, Lip	1
8	379705	(000000-) Skirt, Lip	1
9	379704	(000000-) Strap, Main, Lip	1
10	379792	(000000-) Bolt, Carriage, M08 X 1.25 X 35	5
11	379727	(000000-) Seal, Rbr, Door, .19 2.50w 40.6l Red	1
12	379726	(000000-) Strap, Wiper, Door	1
13	59658	(000000-) Screw, Hex, M 8 X 1.25 X 35, Ss, NI	7
14	379812	(000000-) Panel Wldt, Perma-Filter	1
15	33930	(000000-) Screw, Hex, M 6 X 1.0 X 40, Ss	2
16	01684	(000000-) Washer, Flat, 0.25 Ss	15
17	1010167	(000000-) Skirt, Hppr, Plstc	1
18	1010166	(000000-) Skirt, Hppr, Plstc	1
19	1010165	(000000-) Retainer, Skirt	2
20	11329	(000000-) Screw, Hex, M 6 X 1.0 X 16, Ss, NI	5
21	08712	(000000-) Nut, Hex, Lock, M 6 X 1.0, NI, Ss	
22	379834	(000000-) Seal, Pocket, Hopper	1
23	379835	(000000-) Plate, Retainer	1
24	41178	(000000-) Washer, Flat, 0.25 Fender	2
25	08716	(000000-) Screw, Hex, M 6 X 1.0 X 20, Ss	5
26	64153	(000000-) Washer, Flat, 0.34b 1.12d .12, Stl, PI	2

Fig. 52 - Hopper Group (6650 XS)

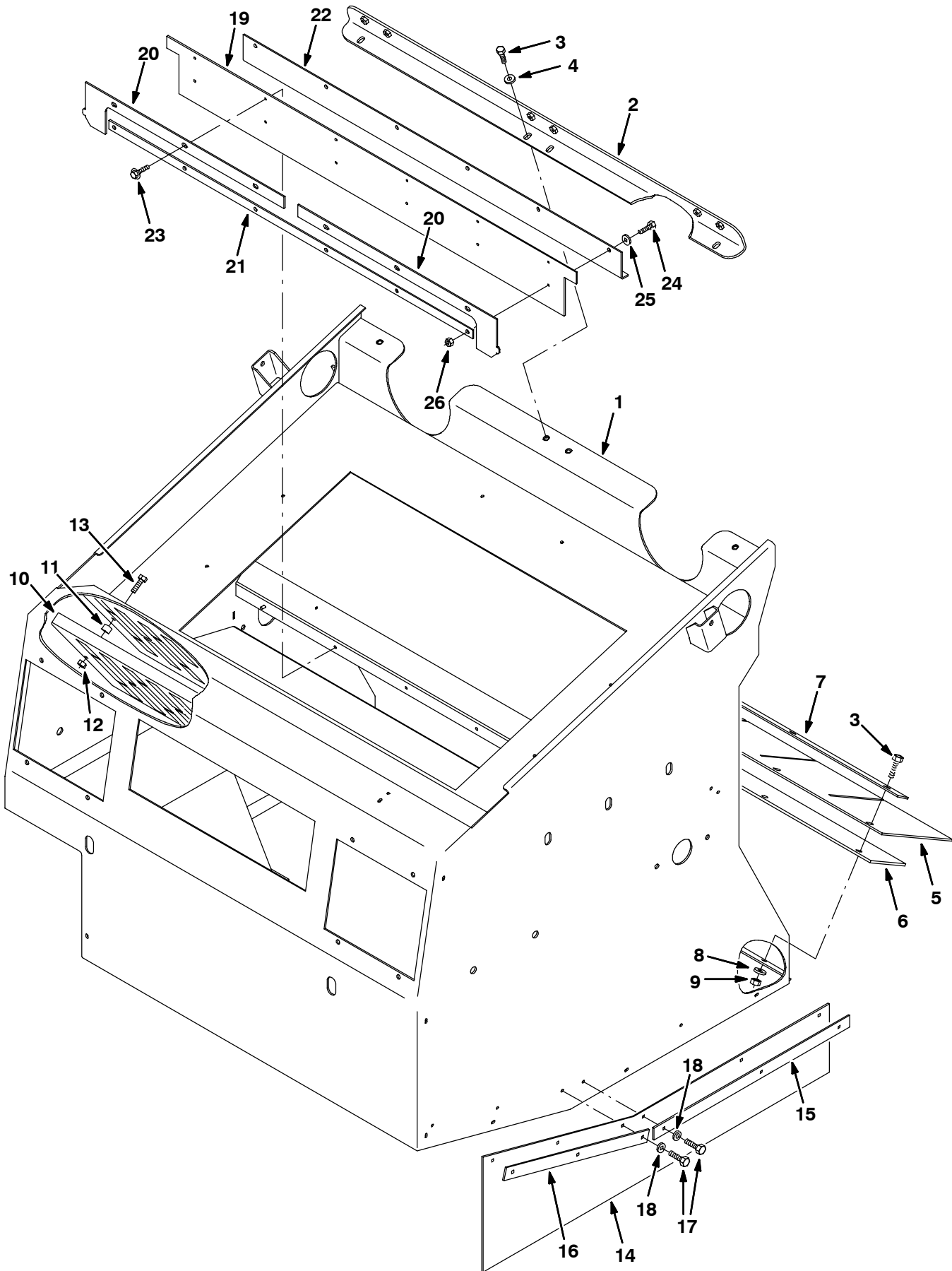


Fig. 52 - Hopper Group (6650 XS)

Ref.	Part No.	Serial Number	Description	Qty.
1	1002842	(000000-) Hopper Wldt	1
2	1007853	(000000-) Bracket, Hppr	1
3	09010	(000000-) Screw, Hex, M 8 X 1.25 X 25, Ss	9
4	32491	(000000-) Washer, Flat, 0.31 Std	4
5	59680	(000000-) Skirt, Hppr, Rear	1
6	59681	(000000-) Skirt, Hppr, Rear	1
7	55890	(000000-) Retainer, Skirt, Hppr, Rear	1
8	01685	(000000-) Washer, Flat, 0.31 Ss	5
9	08713	(000000-) Nut, Hex, Lock, M 8 X 1.25, NI, Ss	5
10	55021	(000000-) Panel, Perma-Filter	1
11	82483	(000000-) Tube	2
12	08712	(000000-) Nut, Hex, Lock, M 6 X 1.0, NI, Ss	2
13	33930	(000000-) Screw, Hex, M 6 X 1.0 X 40, Ss	2
14	54089	(000000-) Skirt, Side, Sbdc, Lh	1
15	54013	(000000-) Retainer, Skirt, Hppr, Side, Rear	1
16	54014	(000000-) Retainer, Skirt, Hppr, Side, Front	1
17	12459	(000000-) Screw, Hex, M 6 X 1.0 X 20, Fmg	6
18	01684	(000000-) Washer, Flat, 0.25 Ss	6
19	1006730	(000000-) Strip, Door, Hppr	1
20	1008808	(000000-) Strip, Retainer, Hppr	2
21	1006738	(000000-) Strip, Door, Hppr	1
22	1006737	(000000-) Strip, Door, Hppr	1
23	361339	(000000-) Screw, Hex, M 6 X 1.0 X 16, Fmg	4
24	08716	(000000-) Screw, Hex, M 6 X 1.0 X 20, Ss	14
25	32490	(000000-) Washer, Flat, 0.25 Std	6
26	08708	(000000-) Nut, Hex, Lock, M 6 X 1.0, NI	6

Fig. 53 - Hopper Cylinder and Dump Door Group (6650 XP)

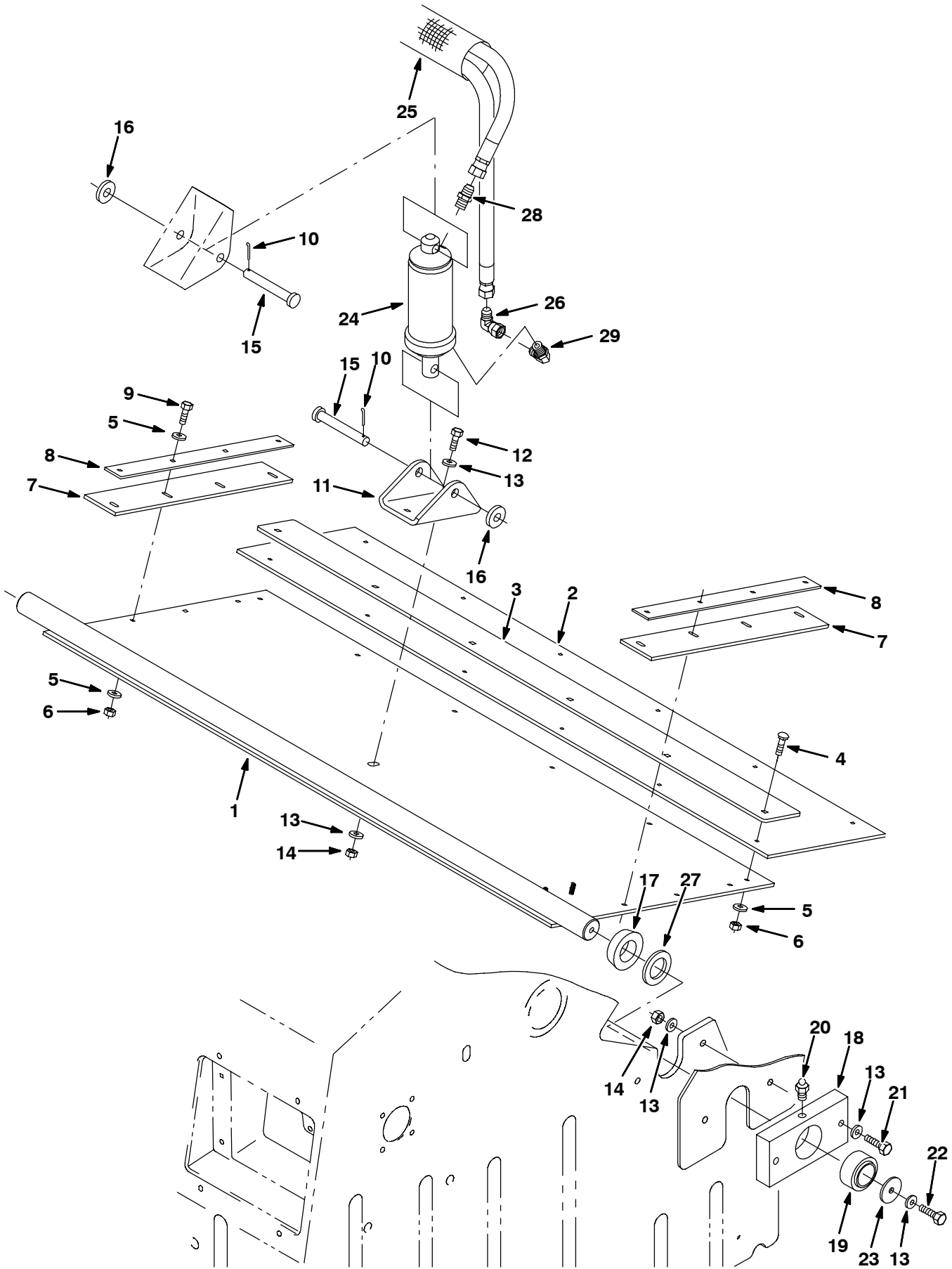


Fig. 53 - Hopper Cylinder and Dump Door Group (6650 XP)

Ref.	Part No.	Serial Number	Description	Qty.
1	379701	(000000-) Door Wldt, Dump	1
2	379699	(000000-) Seal, Door, Dump	1
3	379698	(000000-) Plate, Retainer, Door, Dump	1
4	379791	(000000-) Bolt, Carriage, M06 X 1.0 X 30	6
5	01684	(000000-) Washer, Flat, 0.25 Ss	24
6	08712	(000000-) Nut, Hex, Lock, M 6 X 1.0, NI, Ss	14
7	379702	(000000-) Seal, Door, Dump, Side	2
8	379703	(000000-) Strap, Door, Dump, Side	2
9	08716	(000000-) Screw, Hex, M 6 X 1.0 X 20, Ss	8
10	08175	(000000-) Pin, Cotter, .125 X 1.25	2
11	379728	(000000-) Bracket, Cyl	1
12	09010	(000000-) Screw, Hex, M 8 X 1.25 X 25, Ss	2
13	01685	(000000-) Washer, Flat, 0.31 Ss	14
14	08713	(000000-) Nut, Hex, Lock, M 8 X 1.25, NI, Ss	6
15	06474A	(000000-) Pin, Clevis, 0.50 D X 3.50l	2
16	32486	(000000-) Washer, Flat, 0.50 Sae	2
17	379821	(000000-) Seal, Shaft	2
18	55914	(000000-) Housing, Brg, Pivot, Door, Dust	2
19	42120-1	(000000-) Bearing, Self Align, 1.25b 2.00d	2
20	47801	(000000-) Fitting, Grease, Str Pm04 .63l	2
21	222504	(000000-) Screw, Hex, M 8 X 1.25 X 55, Ss	4
22	49826	(000000-) Screw, Hex, M 8 X 1.25 X 16, Ss, NI	2
23	379829	(000000-) Washer, 0.34b 1.50d .12, Stl, PI	2
24	1038176	(000000-) Cylinder, Hyd, 2.0b,08.0l,04.00strk,2500	1
25	87677	(000000-) Sleeve, Nyl, 17 20.0L	1
26	39210	(000000-) Fitting, Hyd, E90, Jm04/Jf04	1
27	379832	(000000-) Washer, Rbr, .19 1.25b 2.00d	2
28	55586	(000000-) Fitting, Hyd, Str, Jm04/Om04	1
29	77097	(000000-) Fitting, Hyd, E90, Jm04/Om04	1

Fig. 54 - Hopper Cylinder and Dump Door Group (6650 XS)

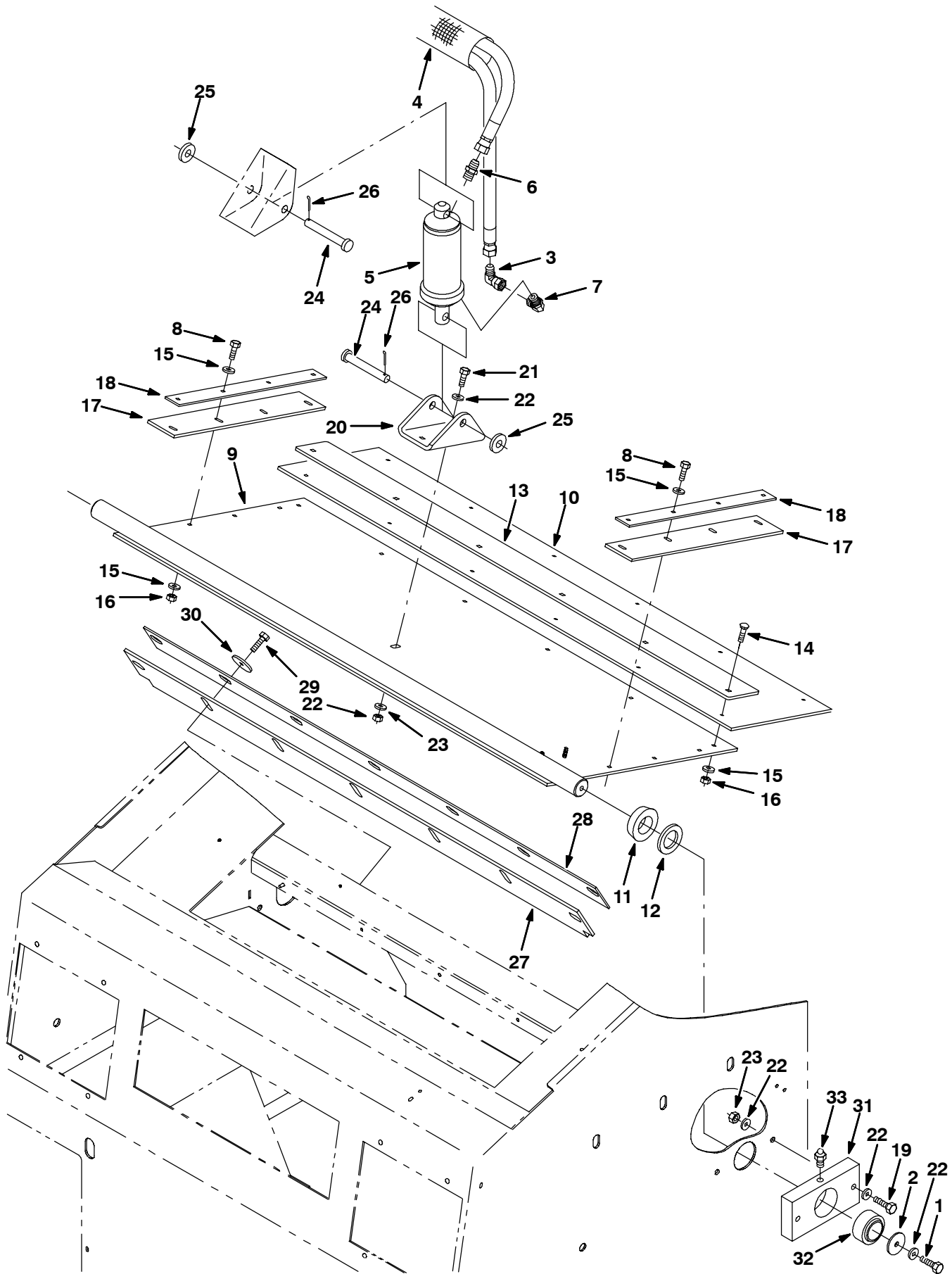


Fig. 54 - Hopper Cylinder and Dump Door Group (6650 XS)

Ref.	Part No.	Serial Number	Description	Qty.
1	49826	(000000-) Screw, Hex, M 8 X 1.25 X 16, Ss, NI	2
2	379829	(000000-) Washer, 0.34b 1.50d .12, Stl, PI	2
3	39210	(000000-) Fitting, Hyd, E90, Jm04/Jf04	1
4	87767	(000000-) Sleeve, Nyl, 17 20.0L	1
5	1038176	(000000-) Cylinder, Hyd, 2.0b,08.0l,04.00strk,2500	1
6	55586	(000000-) Fitting, Hyd, Str, Jm04/Om04	1
7	77097	(000000-) Fitting, Hyd, E90, Jm04/Om04	1
8	08716	(000000-) Screw, Hex, M 6 X 1.0 X 20, Ss	8
9	379701	(000000-) Door Wldt, Dump	1
10	379699	(000000-) Seal, Door, Dump	1
11	379821	(000000-) Seal, Shaft	2
12	379832	(000000-) Washer, Rbr, .19 1.25b 2.00d	2
13	379698	(000000-) Plate, Retainer, Door, Dump	1
14	379791	(000000-) Bolt, Carriage, M06 X 1.0 X 30	6
15	01684	(000000-) Washer, Flat, 0.25 Ss	24
16	08712	(000000-) Nut, Hex, Lock, M 6 X 1.0, NI, Ss	14
17	379702	(000000-) Seal, Door, Dump, Side	2
18	379703	(000000-) Strap, Door, Dump, Side	2
19	222504	(000000-) Screw, Hex, M 8 X 1.25 X 55, Ss	4
20	379728	(000000-) Bracket, Cyl	1
21	09010	(000000-) Screw, Hex, M 8 X 1.25 X 25, Ss	2
22	01685	(000000-) Washer, Flat, 0.31 Ss	14
23	08713	(000000-) Nut, Hex, Lock, M 8 X 1.25, NI, Ss	6
24	06474A	(000000-) Pin, Clevis, 0.50 D X 3.50l	2
25	32486	(000000-) Washer, Flat, 0.50 Sae	2
26	08175	(000000-) Pin, Cotter, .125 X 1.25	2
27	379727	(000000-) Seal, Rbr, Door, .19 2.50w 40.6l Red	1
28	379726	(000000-) Strap, Wiper, Door	1
29	223163	(000000-) Screw, Hex, M 8 X 1.25 X 30, NI	7
30	379829	(000000-) Washer, 0.34b 1.50d .12, Stl, PI	7
31	55914	(000000-) Housing, Brg, Pivot, Door, Dust	2
32	42120-1	(000000-) Bearing, Self Align, 1.25b 2.00d	2
33	47801	(000000-) Fitting, Grease, Str Pm04 .63l	2

Fig. 55 - Hopper Hood Group

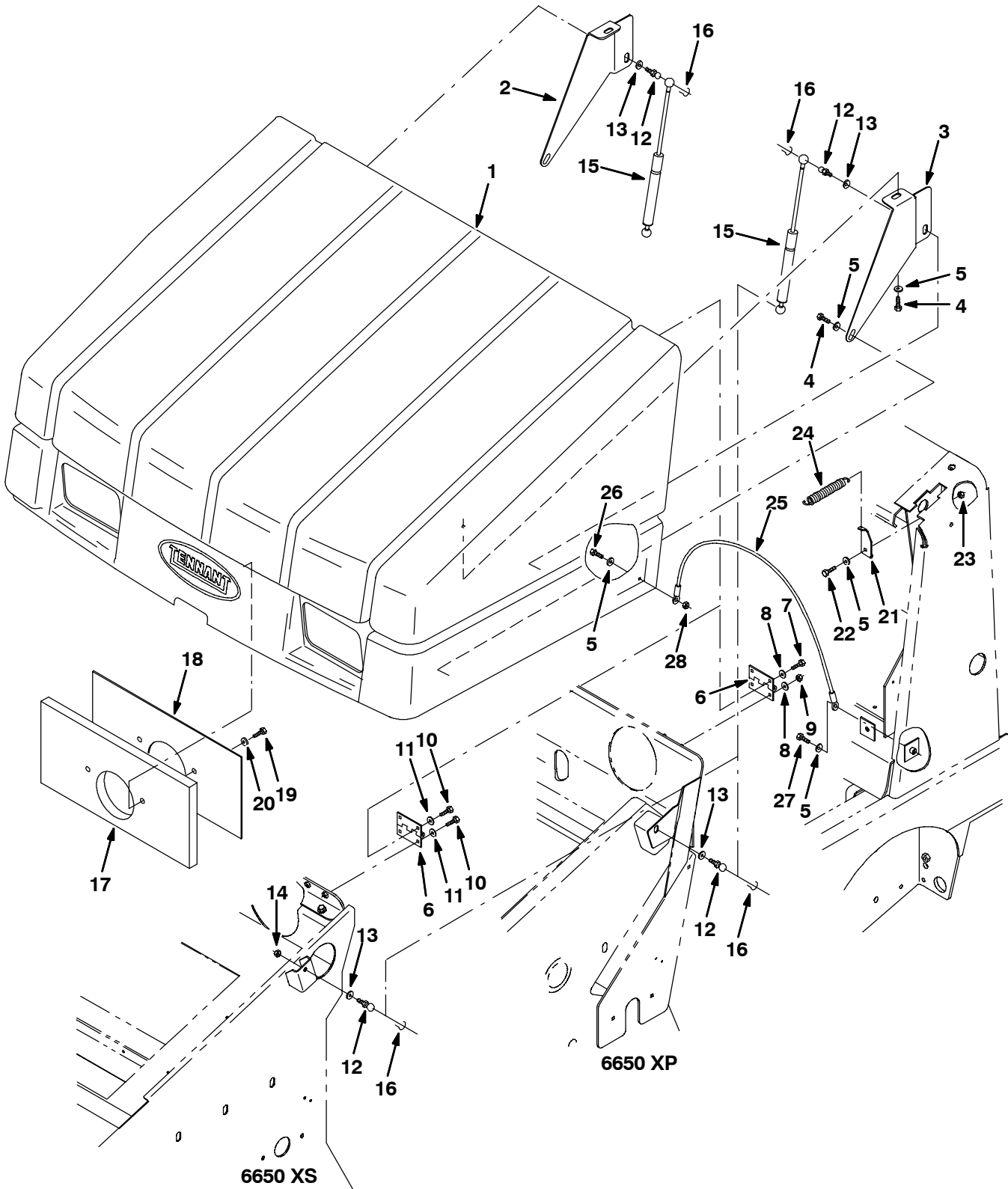


Fig. 55 - Hopper Hood Group

Ref.	Part No.	Serial Number	Description	Qty.
1	379881	(000000-) Cover, Hopper, 6500	1
2	379786	(000000-) Bracket, Hood, Rh	1
3	379787	(000000-) Bracket, Hood, Lh	1
4	49826	(000000-) Screw, Hex, M 8 X 1.25 X 16, Ss, NI	4
5	32491	(000000-) Washer, Flat, 0.31 Std	7
6	379784	(000000-) Hinge, .25pin .12 2.9w 03.5l 4/0.31slot	3
7	11329	(000000-) Screw, Hex, M 6 X 1.0 X 16, Ss, NI	6
8	32490	(000000-) Washer, Flat, 0.25 Std	12
9	08708	(000000-) Nut, Hex, Lock, M 6 X 1.0, NI	6
10	11329	(000000-) Screw, Hex, M 6 X 1.0 X 16, Ss, NI	12
11	32490	(000000-) Washer, Flat, 0.25 Std	12
12	1024270	(000000-) Stud, Ball, .39d .31-18, .75l	4
13	01685	(000000-) Washer, Flat, 0.31 Ss	4
14	01760	(000000-) Nut, Hex, Lock, .31-18, NI, Thin	4
15	64535	(000000-) Gasspring, 120lb, 7.1strk	2
16	64595	(000000-) Clip, Safety, Gasspring	4
17	1008132	(000000-) Seal, Ure, 1.00 10.40w 19.0l Adh	1
18	1008636	(000000-) Strip, Plstc, 0.03 10.38w 19.0l	1
19	33930	(000000-) Screw, Hex, M6 X 1.0 X 40, Ss	2
20	41178	(000000-) Washer, Flat, 0.25 Fender	2
21	70193	(000000-) Bracket, Cable, Spring	1
22	39277	(000000-) Screw, Hex, M 8 X 1.25 X 25, 8.8	1
23	07791	(000000-) Nut, Hex, Flng, M08 X 1.25	1
24	74353	(000000-) Spring, Extn, 0.75od X 0.06wir, 3.5l	1
25	74352	(000000-) Cable, .09d, 42.0l, .4clevis/.4clevis	1
26	49826	(000000-) Screw, Hex, M 8 X 1.25 X 16, Ss, NI	1
27	16931	(000000-) Screw, Hex, M 8 X 1.25 X 20, 8.8	1
28	08709	(000000-) Nut, Hex, Lock, M8 X 1.25, NI	1

Fig. 56 - Hopper Bumper Group (6650 XP)

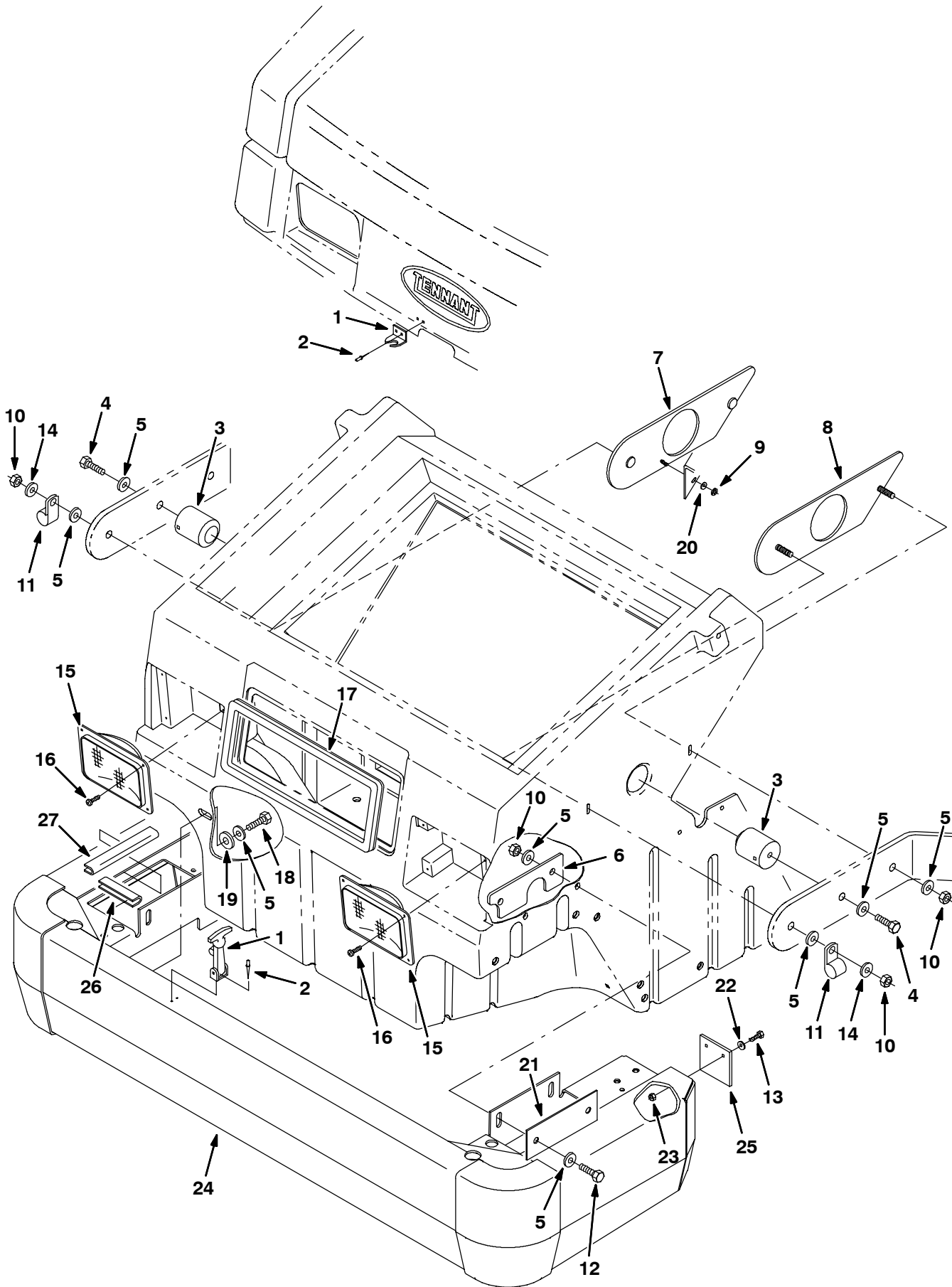


Fig. 56 - Hopper Bumper Group (6650 XP)

Ref.	Part No.	Serial Number	Description	Qty.
1	11636	(000000-) Latch	1
2	01335	(000000-) Rivet, Blind, .125d X 0.44 X .25d, Alm	4
3	364498	(000000-) Pin, Hopper, Lift	2
4	69972	(000000-) Screw, Hex, M12 X 1.75 X 40, 10.9	2
5	36328	(000000-) Washer, Belleville, .50	16
6	379820	(000000-) Plate, Retainer, Bumper	2
7	379788	(000000-) Plate, Retainer, Rh	1
8	379789	(000000-) Plate, Retainer, Lh	1
9	1029988	(000000-) Nut, Push, M6 X 1.0	2
10	08711	(000000-) Nut, Hex, Lock, M12 X 1.75,NI	8
11	53466	(000000-) Clamp, Cable, Stl, 1.50d X 1.00w, 1h	2
12	06971	(000000-) Screw, Hex, M12 X 1.75 X 50, 8.8	4
13	08716	(000000-) Screw, Hex, M6 X 1.0 X 20, Ss	4
14	32486	(000000-) Washer, Flat, 0.50, Sae	2
15	58524	(000000-) Headlight, 12vdc, 50watt . A [#70744]	2
16	360943	(000000-) Screw, Pan, #10-14 X 0.75, F/Plstc	8
17	379883	(000000-) Seal, Bulb, 90, 0.50d .31grip 50.0l	1
18	09029	(000000-) Screw, Hex, M12 X 1.75 X 40, Ss	2
19	32494	(000000-) Washer, Flat, 0.62 Std	2
20	41178	(000000-) Washer, Flat, 0.25 Fender	2
21	379827	(000000-) Plate, Retainer, Bumper	2
22	01684	(000000-) Washer, Flat, 0.25 Ss	4
23	08712	(000000-) Nut, Hex, Lock, M 6 X 1.0, NI, Ss	4
24	1006038	(000000-) Bumper Wldt, Front	1
25	59448	(000000-) Skirt	2
26	31775	(000000-) Molding, Trim, Pvc,.08-.11 04.0l	1
27	62595	(000000-) Molding, Trim, Pvc,.08-.11 07.7l	1

Fig. 57 - Hopper Bumper Group (6650 XS)

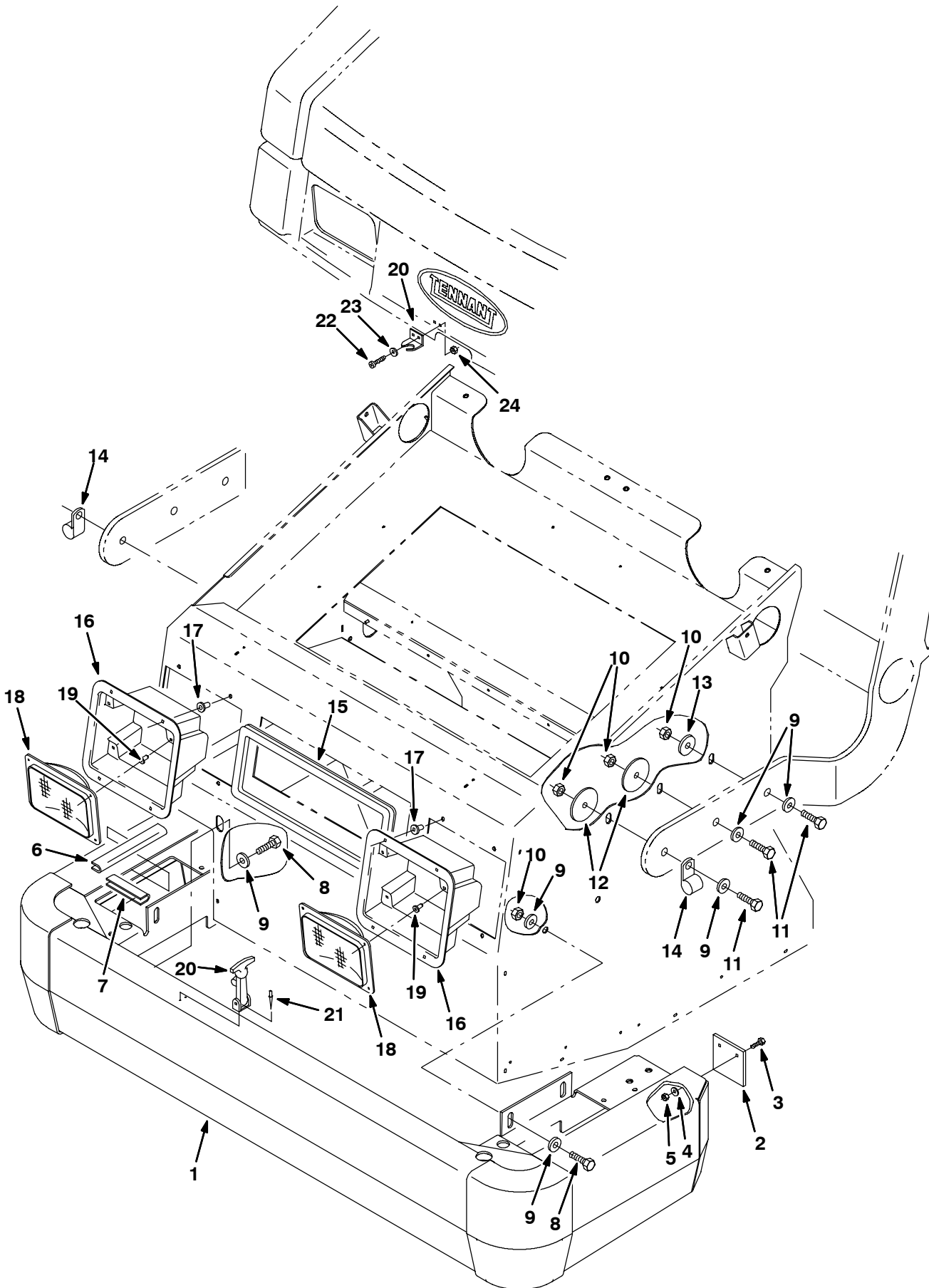


Fig. 57 - Hopper Bumper Group (6650 XS)

Ref.	Part No.	Serial Number	Description	Qty.
1	1006038	(000000-) Bumper Wldt, Front	1
2	59448	(000000-) Skirt	2
3	08716	(000000-) Screw, Hex, M 6 X 1.0 X 20, Ss	4
4	01684	(000000-) Washer, Flat, 0.25 Ss	4
5	08712	(000000-) Nut, Hex, Lock, M 6 X 1.0, NI, Ss	4
6	62595	(000000-) Molding, Trim, Pvc,.08-.11 07.7l	1
7	31775	(000000-) Molding, Trim, Pvc,.08-.11 04.0l	1
8	41346	(000000-) Screw, Hex, M12 X 1.75 X 30, 8.8	6
9	36328	(000000-) Washer, Belleville, .50	16
10	08711	(000000-) Nut, Hex, Lock, M12 X 1.75,NI	10
11	69972	(000000-) Screw, Hex, M12 X 1.75 X 40, 10.9	6
12	72159	(000000-) Washer, 0.56b 3.03d .25, Stl, PI	4
13	51564	(000000-) Washer, 0.53b 1.75d .12, Stl, PI	2
14	53466	(000000-) Clamp, Cable, Stl, 1.50d X 1.00w, 1h	2
15	74409	(000000-) Seal, Bulb, [Sd-0355], 50.00l	1
16	59004	(000000-) Housing, Headlight, Hppr	2
17	72971	(000000-) Rivet, Plstc, .325d X 0.787	8
18	58524	(000000-) Headlight, 12vdc, 50watt . A [#70744]	2
19	72969	(000000-) Rivet, Plstc, .181d X 0.720	8
20	11636	(000000-) Latch	1
21	82457	(000000-) Rivet, Blind, .125d X 0.44 X .25d, Stl	2
22	60388	(000000-) Screw, Pan, #06-32 X 1.75, Ss	2
23	19064	(000000-) Washer, Flat, #06	2
24	75939	(000000-) Nut, Hex, Lock, #06-32, NI	2

Fig. 58 - Hopper Filter Box Group (6650 XP)

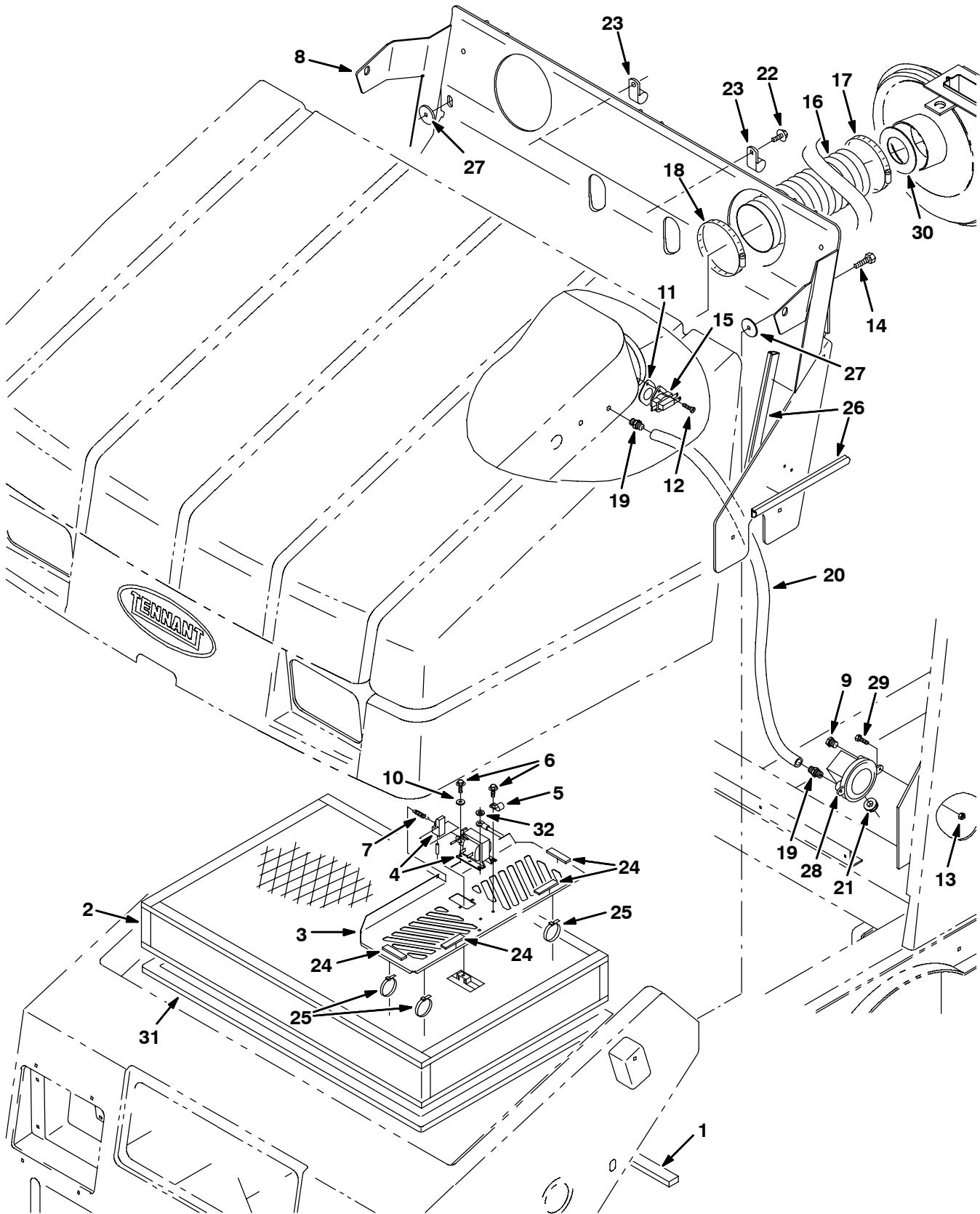


Fig. 58 - Hopper Filter Box Group (6650 XP)

Ref.	Part No.	Serial Number	Description	Qty.
1	375202	(000000-) Seal, Ure, 0.38 0.75w 40.0l Adh	1
2	375249	(000000-) Filter Pkg Kit, 098plts, Ci	1
2	1041617	(000000-) Filter Kit, Panl, Syn, Replmt	1
3	379555	(000000-) Plate, Panel, Shaker	1
4	379890	(000000-) Solenoid, Filter Shaker	1
5	26395-2	(000000-) Clamp, Cable, Stl, 0.38d X 0.38w, 1h	1
6	16944	(000000-) Screw, Hex, M4 X 0.7 X 10, Fmg	4
7	1045426	(000000-) Spring, Extn, 0.43od 0.05wir 01.4l	1
8	1008271	(000000-) Bracket Wldt, Hppr, [6600/6650xp]	1
9	82739	(000000-) Fitting, Brs, Breather 02mp	1
10	19065	(000000-) Washer, Flat, #08	2
11	82733	(000000-) Gasket, Switch, Fire	1
12	360943	(000000-) Screw, Pan, #10-14 X 0.75, F/Plstc	2
13	02850	(000000-) Nut, Hex, Lock, M 4 X 0.7, NI	2
14	16735	(000000-) Screw, Hex, M 8 X 1.25 X 16, 8.8	2
15	367679	(000000-) Sensor, Thermal, 120vac 10a Spdt	1
16	77320	(000000-) Hose, Flex, Vacuum, 4.0d 23.0l	1
17	23498	(000000-) Clamp, Hose, Wormdrive, 3.56-4.50d	1
18	9004550	(000000-) Kit, Clamp, Hopper Filter Box, 6600/6650	1
19	40607	(000000-) Fitting, Brs, Str, Bm03/Pm02	2
20	379719	(000000-) Hose, Vacuum, 0.16id 60.0l	1
21	10632-4	(000000-) Grommet, Rbr, 0.62id, F/ 0.9h, .06matl	1
22	361339	(000000-) Screw, Hex, M 6 X 1.0 X 16, Fmg	2
23	1009318	(000000-) Clamp, Cable, Stl, 0.6x1.2x0.75w, 1h	2
24	379822	(000000-) Seal, Ure, 0.38 0.75w 04.0l Adh	4
25	49266	(000000-) Tie, Cable, Nyl, 07.3l .19w 1.8 Max D	4
26	86330	(000000-) Duct, Vyl, 0.40 X 0.75 .25d 10.0l	2
27	379829	(000000-) Washer, 0.34b 1.50d .12, Stl, PI	2
28	34868	(000000-) Switch, Press, 12vdc A Spdt N 0011psi	1
29	09206	(000000-) Screw, Hex, M 4 X 0.7 X 12, 8.8	2
30	379849	(000000-) Kit, Ring, Restrictor, [6500/6550]	1
31	379817	(000000-) Seal, Rbr, 0.38, 20.0 30.0, Fltr	1
32	32982	(000000-) Washer, Lock, Int, 0.25	1

Fig. 59 - Hopper Filter Box Group (6650 XS)

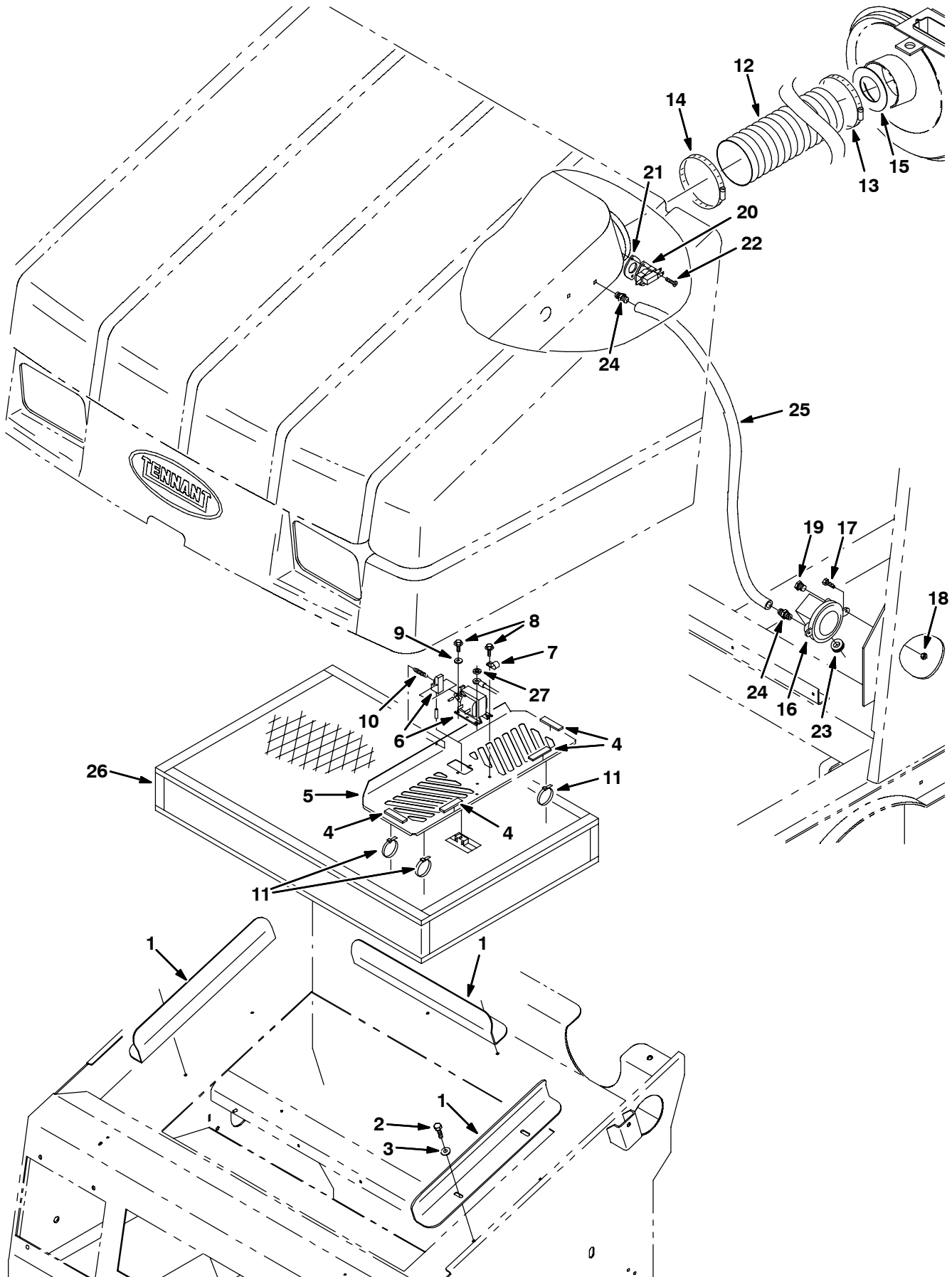


Fig. 59 - Hopper Filter Box Group (6650 XS)

Ref.	Part No.	Serial Number	Description	Qty.
1	1007280	(000000-) Panel, Hppr	3
2	09010	(000000-) Screw, Hex, M 8 X 1.25 X 25, Ss	6
3	01685	(000000-) Washer, Flat, 0.31 Ss	6
4	379822	(000000-) Seal, Ure, 0.38 0.75w 04.0l Adh	4
5	379555	(000000-) Plate, Panel, Shaker	1
6	379890	(000000-) Solenoid, Filter Shaker	1
7	26395-2	(000000-) Clamp, Cable, Stl, 0.38d X 0.38w, 1h	1
8	16944	(000000-) Screw, Hex, M4 X 0.7 X 10, Fmg	4
9	19065	(000000-) Washer, Flat, #08	2
10	1045426	(000000-) Spring, Extn, 0.43od 0.05wir 01.4l	1
11	49266	(000000-) Tie, Cable, Nyl, 07.3l .19w 1.8 Max D	4
12	77320	(000000-) Hose, Flex, Vacuum, 4.0d 23.0l	1
13	23498	(000000-) Clamp, Hose, Wormdrive, 3.56-4.50d	1
14	9004550	(000000-) Kit, Clamp, Hopper Filter Box, 6600/6650	1
15	379849	(000000-) Kit, Ring, Restrictor, [6500/6550]	1
16	34868	(000000-) Switch, Press, 12vdc A Spdt N 0011psi	1
17	09206	(000000-) Screw, Hex, M 4 X 0.7 X 12, 8.8	2
18	02850	(000000-) Nut, Hex, Lock, M 4 X 0.7, NI	2
19	82739	(000000-) Fitting, Brs, Breather 02mp	1
20	02712	(000000-) Thermostat	1
21	82733	(000000-) Gasket, Switch, Fire	1
22	360943	(000000-) Screw, Pan, #10-14 X 0.75, F/Plstc	2
23	10632-4	(000000-) Grommet, Rbr, 0.62id, F/ 0.9h, .06matl	1
24	40607	(000000-) Fitting, Brs, Str, Bm03/Pm02	2
25	379719	(000000-) Hose, Vacuum, 0.16id 60.0l	1
26	375249	(000000-) Filter Pkg Kit, 098plts, Ci	1
27	32982	(000000-) Washer, Lock, Int, 0.25	1

Fig. 60 - Hopper Lift Arms Group

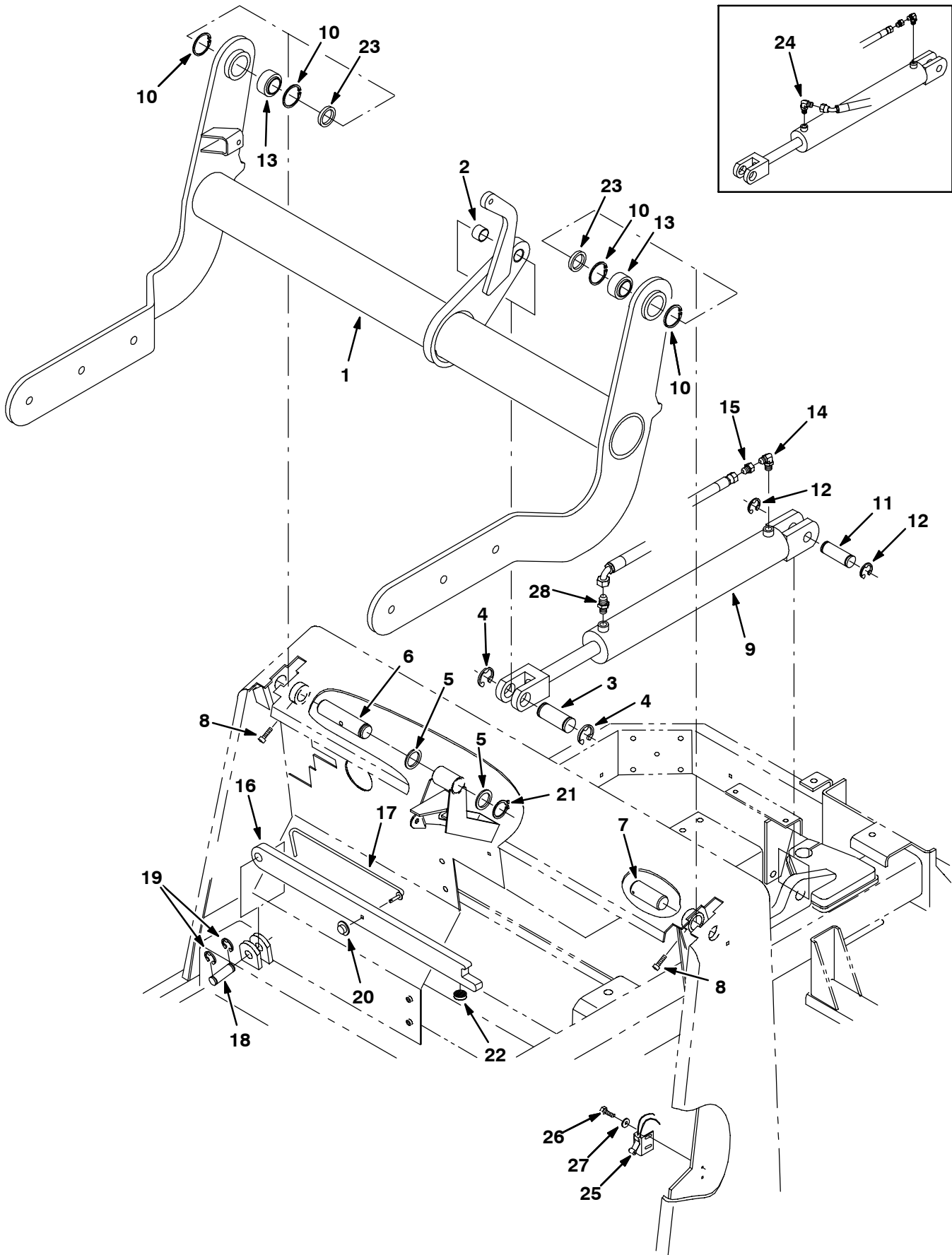


Fig. 60 - Hopper Lift Arms Group

Ref.	Part No.	Serial Number	Description	Qty.
	1	59825	(000000-) Arm, Lift, Hppr, W/ Label	1
▽	69908	(000000-)	Pin Assy, Clevis, Hopper Lift	1
▲	2	59866	(000000-) Bushing, Sleeve, 1.25b 1.40d 1.00l, Fgl	1
▲	3	59867	(000000-) Pin, Grooved	1
▲	4	59861	(000000-) Ring, Retaining, Ext, 1.25d	2
	5	54079	(000000-) Washer, 1.28b 1.75d .08, Stl, PI	4
	6	55462	(000000-) Pin	1
	7	55463	(000000-) Pin, 1.25d 03.3l 1/M08x1.25 Stl	1
	8	39308	(000000-) Screw, Soc, M 8 X 1.25 X 25, 12.9	2
	9	74419	(000000-010501) Cylinder, Hyd, 2.5b,28.4l,15.00strk,2500 (See Breakdowns) (Replaced by 9001862)	1
▽	9	1025228	(010502-) Cylinder, Hyd, 2.5b,28.4l,15.00strk,2500	1
▲	9001557	(010502-)	Seal Kit	1
	10	59542	(000000-) Ring, Retaining, Int, 2.00d	4
	11	59380	(000000-) Pin-Grvd,1.00d 3.0l/ 2.71btwn	1
	12	23788	(000000-) Ring, Retaining, Ext, 0.98d, [E-Ring]	2
	13	42120-1	(000000-) Bearing, Self Align, 1.25b 2.00d	2
	14	77097	(000000-) Fitting, Hyd, E90, Jm04/Om04	1
	15	16455	(000000-) Fitting, Hyd, Rst, Jm04/.047	1
	16	59827	(000000-) Arm, Safety, Hppr, W/ Label	1
	17	58645	(000000-) Rod, Arm, Safety	1
	18	59842	(000000-) Pin, Arm, Safety	1
	19	23788-1	(000000-) Ring, Retaining, Ext, 0.75d	2
	20	59849	(000000-) Nut, Retainer, .312 Dia	1
	21	58359	(000000-) Retainer, Ring	1
	22	16786	(000000-) Bumper, Arm, Safety	1
	23	70272	(000000-) Tube, 01.75d 01.31b 00.31 Stl PI	2
	23	70271	(000000-) Washer, 1.28b 1.75d .25, Stl, PI	2
	24	77098	(000000-010501) Fitting, Hyd, E90, Jm06/Om04	1
	25	23211	(000000-) Switch, Snap Actn, 12vdc 15a No Rlr	1
	26	55845	(000000-) Screw, Hex, M 5 X 0.8 X 16, Fmg	2
	27	01683	(000000-) Washer, Flat, #10 Ss	2
	28	50960	(010502-) Fitting, Hyd, Str, Jm06/Om04	1

Fig. 61 - Side Brush Motor and Pivot Group

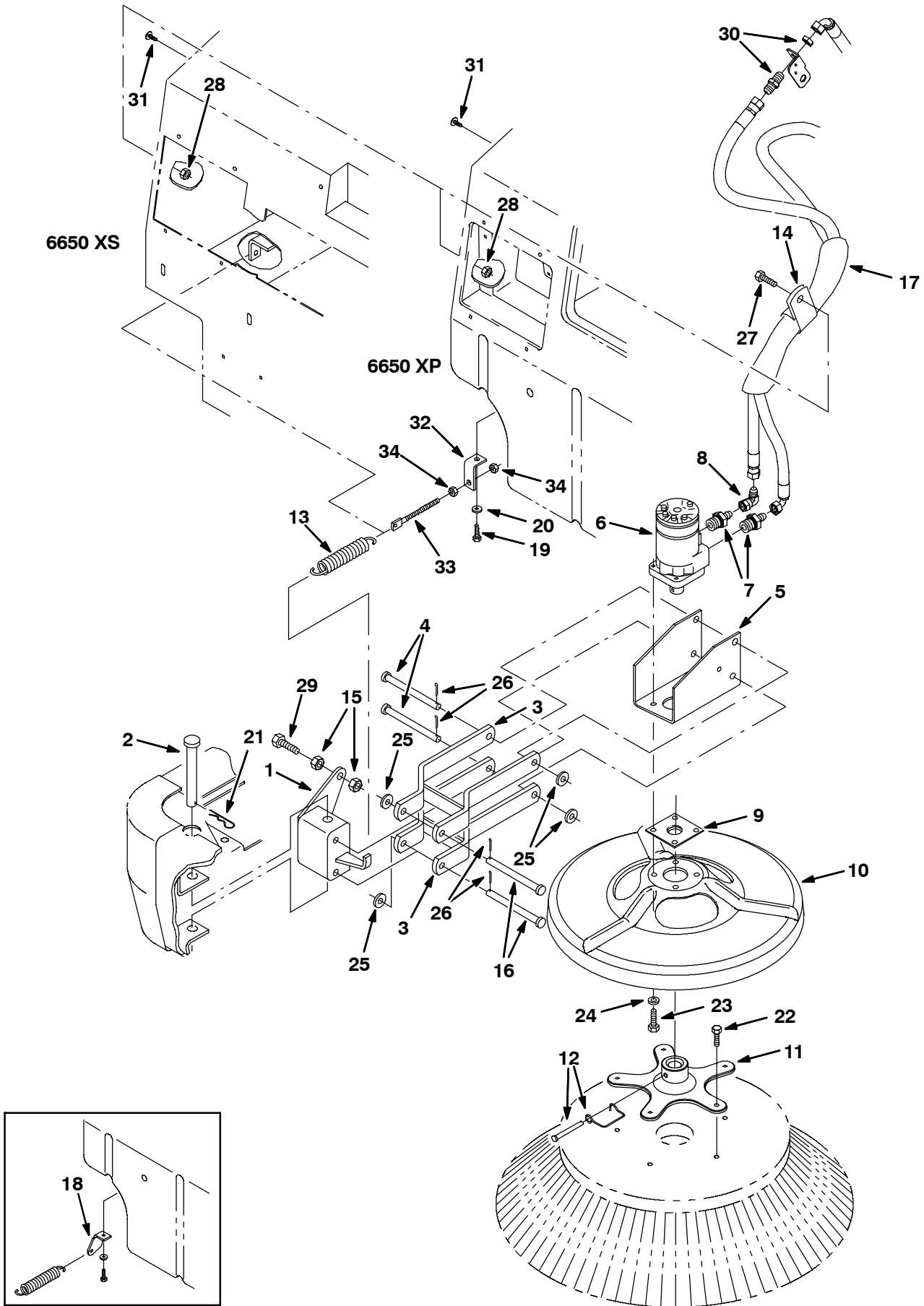


Fig. 61 - Side Brush Motor and Pivot Group

Ref.	Part No.	Serial Number	Description	Qty.
1	54050	(000000-) Pivot	1
2	54660	(000000-) Pin, Clevis, 0.75 D X 5.50l	1
3	53965	(000000-) Arm Wldt, Sppt, Brush, Side	2
4	51225	(000000-) Pin, Clevis, 0.50 D X 5.50l	2
5	71540	(000000-) Bracket, Mtg, Motor, Side Brush	1
6	379607	(000000-) Motor, Hyd, Gear, [In] 17.9 B 1500 (See Breakdowns)	1
7	47508	(000000-) Fitting, Hyd, Str, Jm06/Om10	2
8	47504	(000000-) Fitting, Hyd, E90, Jm06/Jf06	1
9	16082	(000000-) Guard, String, Motor, Brush	1
10	379532	(000000-) Guard, Brush, [6550]	1
11	1042969	(000000-) Hub, Drive, Brush, Side, 1.0b 8.75 Bc	1
12	84581	(000000-) Pin	1
13	47745	(000000-) Spring, Extn, 1.12od X 0.14wir, 6.3l	1
14	53466	(000000-) Clamp, Cable, Stl, 1.50d X 1.00w, 1h	2
15	07788	(000000-) Nut, Hex, Std, M12 X 1.75, Ss	2
16	51538	(000000-) Pin, Clevis, 0.50 D X 5.00l	2
17	87676	(000000-) Sleeve, Nyl, 27 30.0L	1
18	379815	(000000-009499) Bracket, Spring, Side Brush (6650 XP Only)	1
19	49826	(000000-) Screw, Hex, M 8 X 1.25 X 16, Ss, NI (6650 XP Only)	1
20	01685	(000000-) Washer, Flat, 0.31 Ss (6650 XP Only)	1
21	02942	(000000-) Pin, Hair Cotter, 0.62 D .120 Wir	1
22	39394	(000000-) Screw, Hex, .31-09 X 1.25, Wood	5
23	46559	(000000-) Screw, Hex, .38-16 X 1.25, NI	4
24	32492	(000000-) Washer, Flat, 0.38 Std	4
25	32493	(000000-) Washer, Flat, 0.50 Std	4
26	08182	(000000-) Pin, Cotter, .125 X 1.00	4
27	06960	(000000-) Screw, Hex, M10 X 1.5 X 16, 8.8	2
28	07792	(000000-) Nut, Hex, Flng, M10 X 1.5	2
29	06973	(000000-) Screw, Hex, M12 X 1.75 X 70, 8.8	1
30	16864	(000000-) Fitting, Hyd, Str, Jm06/Jm06 Bkhd	1
31	21168	(000000-) Clip, [Pine-Tree], .250h, Plstc	1
32	1011427	(009500-) Bracket, Spring, Side Brush	1
33	1007220	(009500-) Bolt, Eye, M10x1.50 X 117mm 8.0 Eye	1
34	07787	(009500-) Nut, Hex, Std, M10 X 1.5, Ss	2

Fig. 62 - Side Brush Lift Group

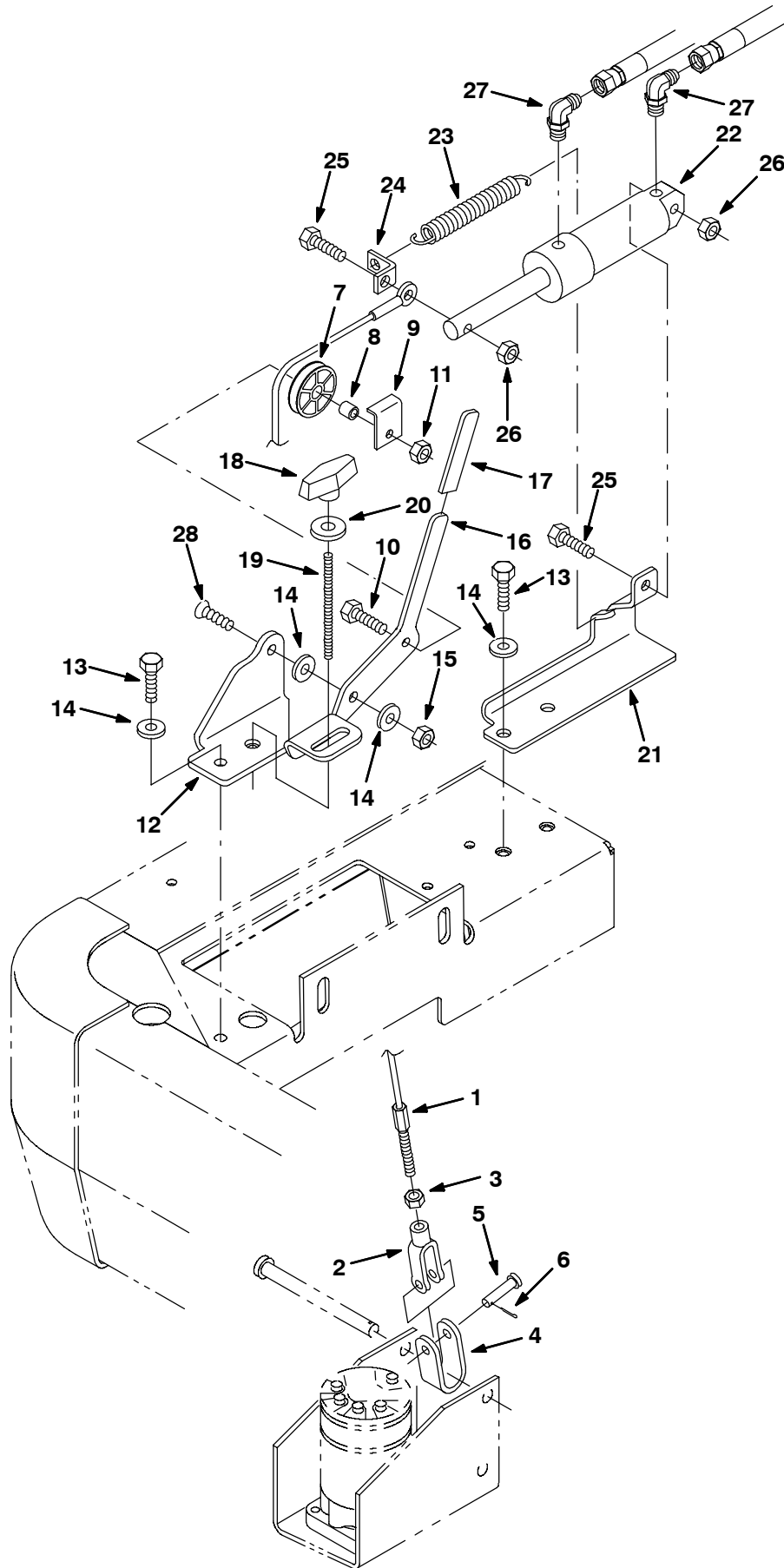


Fig. 62 - Side Brush Lift Group

Ref.	Part No.	Serial Number	Description	Qty.
1	77335	(000000-) Cable, .13d, 14.9l, .41eye /M10x1.5	1
2	12267	(000000-) Clevis, Adj, 0.38pin, M10x1.5	1
3	32716	(000000-) Nut, Hex, Jam, M10 X 1.5, Ss	1
4	59899	(000000-) Bracket, U, .12 1.2w 2.30h 1.0l	1
5	29558	(000000-) Pin, Clevis, 0.37 D X 1.50l	1
6	08179	(000000-) Pin, Cotter, .094 X 1.00	1
7	369781	(000000-) Pulley, Cable, 1.5d, Nyl	1
8	222460	(000000-) Sleeve, P/M, 0.496d 0.318b 0.50l 430ss	1
9	54400	(000000-) Bracket, Angle, Keeper, Cable	1
10	76570	(000000-) Screw, Hex, M 8 X 1.25 X 30, 8.8	1
11	08709	(000000-) Nut, Hex, Lock, M 8 X 1.25 NI	1
12	1008462	(000000-) Bracket, Mtg, Lever, Rh	1
13	03192	(000000-) Screw, Hex, M10 X 1.5 X 30, 8.8	3
14	32492	(000000-) Washer, Flat, 0.38 Std	7
15	41430	(000000-) Nut, Hex, Lock, M10 X 1.5, NI	1
16	1009180	(000000-) Bracket, Adj, Brush, Side, Rh	1
17	360467	(000000-) Grip, Vyl	1
18	04706	(000000-) Knob, Tee, 2.5x1.0 1.1l 0.38-16 Plstc	1
19	387151	(000000-) Shaft, Thrd	1
20	32493	(000000-) Washer, Flat, 0.50 Std	1
21	1008062	(000000-) Bracket, Mtg, Cyl	1
22	1038176	(000000-) Cylinder, Hyd, 1.5b,07.8l,02.80strk,2500	1
23	29499	(000000-) Spring, Extn, 0.75od X 0.11wir, 4.5l	1
24	77336	(000000-) Angle, Retainer, Spring	1
25	39285	(000000-) Screw, Hex, M10 X 1.5 X 40, 8.8	2
26	41430	(000000-) Nut, Hex, Lock, M10 X 1.5, NI	2
27	77097	(000000-) Fitting, Hyd, E90, Jm04/Om04	2
28	09081	(000000-) Screw, Flt, M10X1.5X25, 10.9	1

Fig. 63 - Main Brush Lift Group

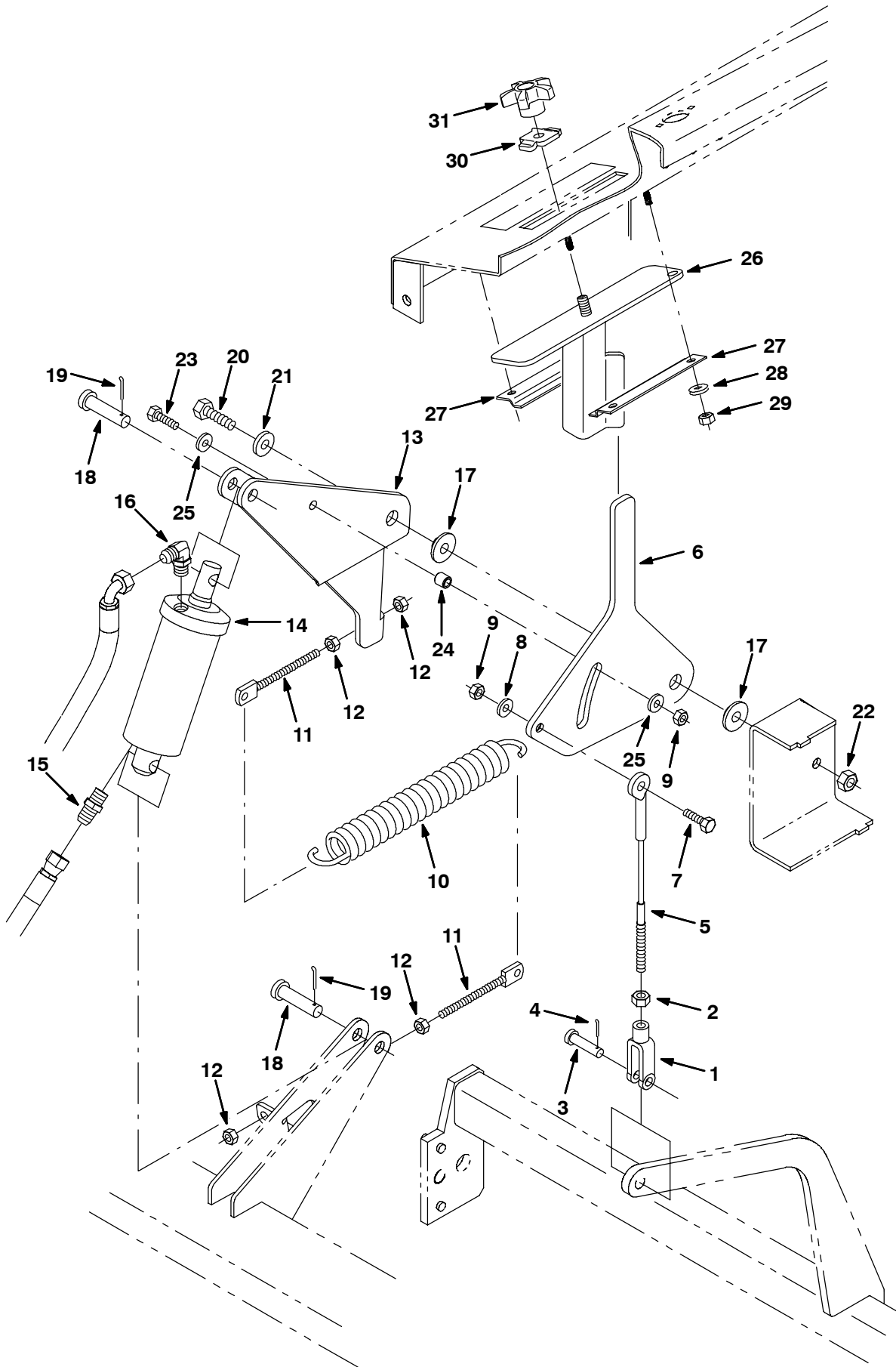


Fig. 63 - Main Brush Lift Group

Ref.	Part No.	Serial Number	Description	Qty.
1	12267	(000000-) Clevis, Adj, 0.38pin, M10x1.5	1
2	32716	(000000-) Nut, Hex, Jam, M10 X 1.5, Ss	1
3	86240	(000000-) Pin, Clevis, 0.38 D X 1.13l	1
4	08179	(000000-) Pin, Cotter, .094 X 1.00	1
5	383194	(000000-) Cable, Lift, Main Brush	1
6	1005498	(000000-) Bracket, Brush, Stop Adj	1
7	07810	(000000-) Screw, Flt, M08 X 1.25 X 25, 10.9	1
8	32491	(000000-) Washer, Flat, 0.31 Std	1
9	08709	(000000-) Nut, Hex, Lock, M 8 X 1.25 NI	2
10	368197	(000000-) Spring, Extn, 1.39od X 0.15wir, 9.0l	1
11	1007220	(000000-) Bolt, Eye, M10x1.50 X 117mm 8.0 Eye	2
12	39312	(000000-) Nut, Hex, Std, M10 X 1.5	4
13	1005489	(000000-) Bracket Wldt, Cyl Mtg	1
14	54096	(000000-) Cylinder, Hyd, 2.0b,08.0l,04.00strk,2500	1
15	55586	(000000-) Fitting, Hyd, Str, Jm04/Om04	1
16	77097	(000000-) Fitting, Hyd, E90, Jm04/Om04	1
17	363087	(000000-) Bushing, Flng, 0.44b 1.25d 0.25l	2
18	43290	(000000-) Pin, Clevis, 0.50 D X 1.75l	2
19	08182	(000000-) Pin, Cotter, .125 X 1.00	2
20	39285	(000000-) Screw, Hex, M10 X 1.5 X 40, 8.8	1
21	32492	(000000-) Washer, Flat, 0.38 Std	1
22	41430	(000000-) Nut, Hex, Lock, M10 X 1.5, NI	1
23	06955	(000000-) Screw, Hex, M 8 X 1.25 X 35, 8.8	1
24	222460	(000000-) Sleeve, P/M, 0.496d 0.318b 0.50l 430ss	1
25	32491	(000000-) Washer, Flat, 0.31 Std	2
26	1005762	(000000-) Bracket Wldt, Brush Adj	1
27	1006422	(000000-) Retainer, Stop	2
28	32483	(000000-) Washer, Flat, 0.25 Sae	4
29	08708	(000000-) Nut, Hex, Lock, M 6 X 1.0, NI	4
30	1005740	(000000-) Plate, Brush, Adj	1
31	383205	(000000-) Knob, Star, 2.2od 8ear 1.1l M10x1.5 Pls	1

Fig. 64 - Main Brush Drive Group

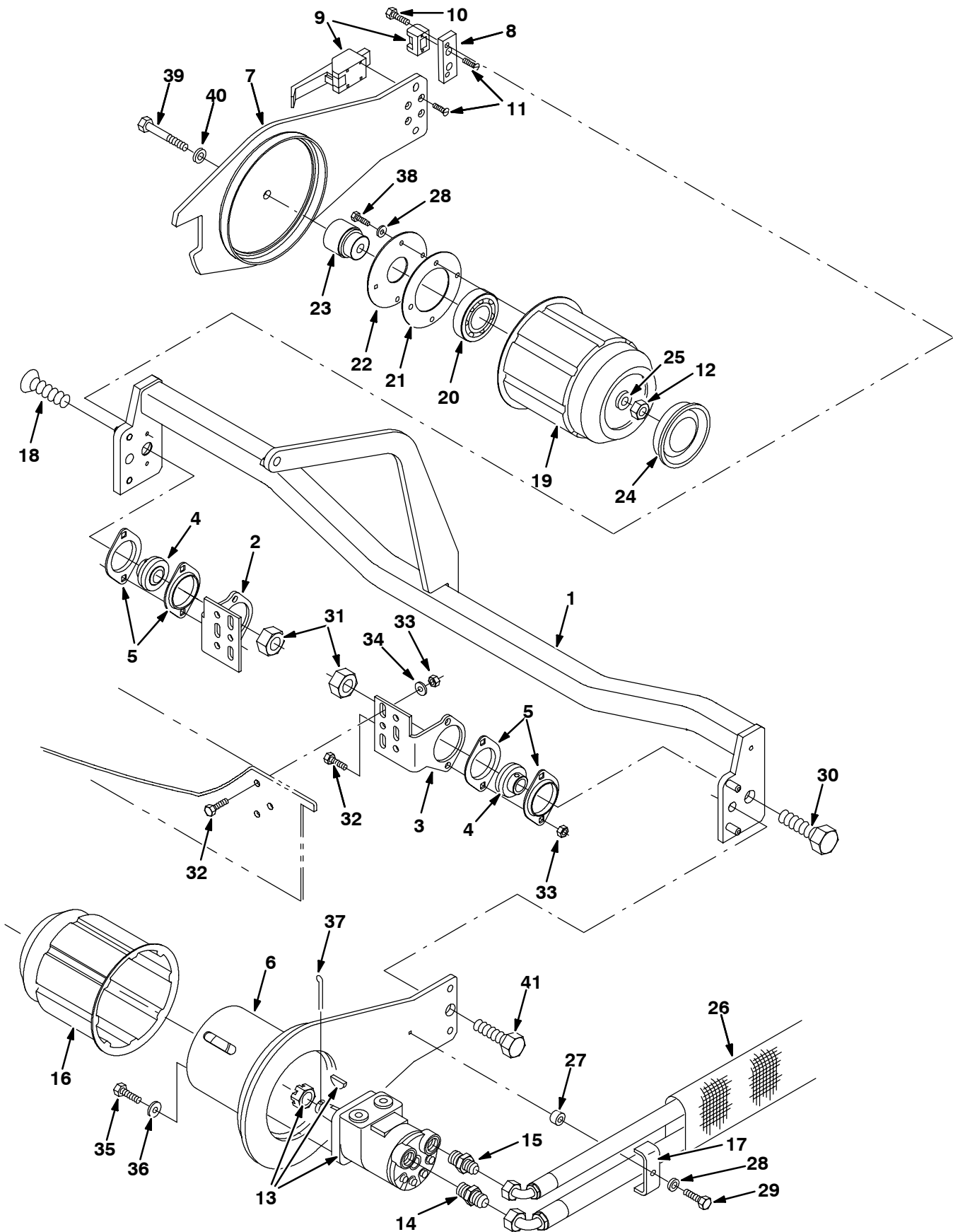


Fig. 64 - Main Brush Drive Group

Ref.	Part No.	Serial Number	Description	Qty.
1	1015432	(000000-) Tube Wldt	1
2	383142	(000000-) Bracket, Mtg, Rh	1
3	383143	(000000-) Bracket, Mtg, Lh	1
4	25887	(000000-) Bearing, W/ Collar, 0.75b 1.85d 1.06w	2
5	35973	(000000-) Flange, Brg, 1.9id 2h	4
6	383139	(000000-) Arm Wldt, Brush, Main, Drive, Lh	1
7	377249	(000000-) Arm, Brush, Main, W/ Label [6600]	1
8	54204	(000000-) Plate, Mtg	1
9	54878	(000000-) Latch	1
10	15678	(000000-) Screw, Hex, M 6 X 1.0 X 16, Ss	2
11	09120	(000000-) Screw, Flt, M05 X 0.8 X 16, 10.9	6
12	08711	(000000-) Nut, Hex, Lock, M12 X 1.75, NI	1
13	379608	(000000-) Motor, Hyd, Gear, [In] 02.8 1500 (See Breakdowns)	1
14	44869	(000000-) Fitting, Hyd, Str, Jm08/Om08	1
15	52402	(000000-) Fitting, Hyd, Str, Jm06/Om08	1
16	87631	(000000-) Plug Wldt, Drive, Brush, Sweep	1
17	51715	(000000-) Bracket, U, .18 2.8 0.9 1.0l 1/0.3h	1
18	1007807	(000000-) Screw, Flt, .75-10 X 2.50, Al	1
19	55779	(000000-) Plug Wldt, Idler, Brush	1
20	24899	(000000-) Bearing, Ball, 1.38b 2.83d 0.67w	1
21	30252	(000000-) Disc, .08 4.39d 2.56b 4/.28h 3.8bc	1
22	30253	(000000-) Disc, .06 4.39d 1.67b 4/.30h 3.8bc	1
23	30251	(000000-) Shaft, Idler, Plug, Brush	1
24	30255	(000000-) Cap, Vinyl, 3.28d 0.45l	1
25	51564	(000000-) Washer, 0.53b 1.75d .12, Stl, PI	1
26	13773	(000000-) Sleeve, Nyl, #27 20.0l	1
27	56228	(000000-) Tube, Plstc, 0.31od 0.25id 00.5l, Blk	1
28	01684	(000000-) Washer, Flat, 0.25 Ss	5
29	07805	(000000-) Screw, Hex, M 6 X 1.0 X 35, Ss	1
30	39395	(000000-) Screw, Hex, .75-10 X 2.50, FI	1
31	32987	(000000-) Nut, Hex, Lock, .75-10, NI	2
32	09010	(000000-) Screw, Hex, M 8 X 1.25 X 25, Ss	10
33	08709	(000000-) Nut, Hex, Lock, M 8 X 1.25 NI	10
34	41186	(000000-) Washer, Belleville, .31	3
35	01762	(000000-) Screw, Hex, .38-16 X 0.75, NI	4
36	32485	(000000-) Washer, Flat, .38 Sae	4
37	08175	(000000-) Pin, Cotter, .125 X 1.25	1
38	12277	(000000-) Screw, Hex, M 6 X 1.0 X 20, Ss, NI	4
39	06975	(000000-) Screw, Hex, M12 X 1.75 X 90, 8.8	1
40	36328	(000000-) Washer, Belleville, .50	1
41	06977	(000000-) Screw, Hex, M16 X 2.0 X 20, 8.8	1

Fig. 65 - Vacuum Fan Group

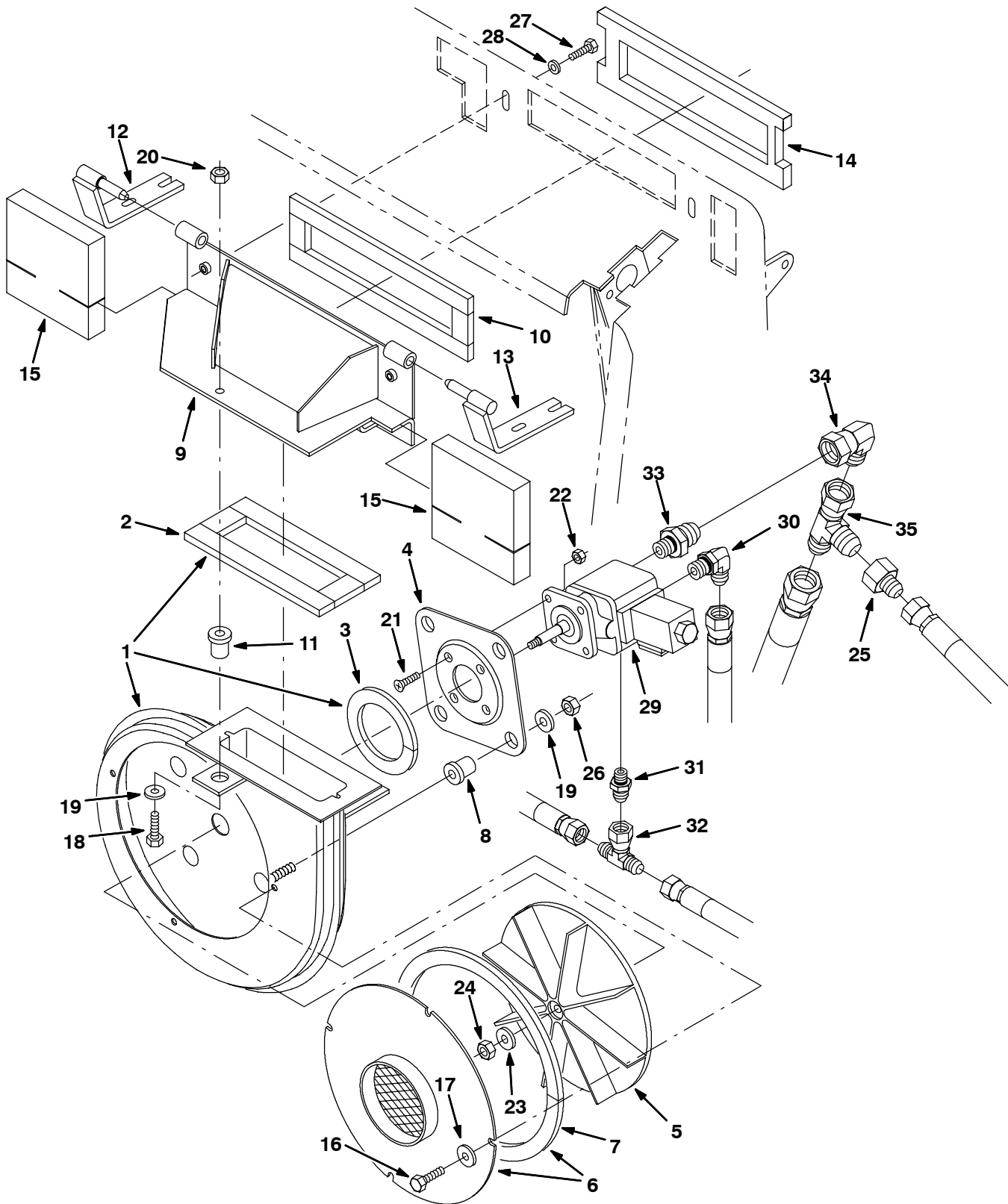


Fig. 65 - Vacuum Fan Group

Ref.	Part No.	Serial Number	Description	Qty.
▽	1	72133	(000000-) Housing Assy, Vacfan, 09.0d Impeller	1
▲	2	59734	(000000-) Seal, Ure, 0.38 0.75w 21.0l Adh	1
▲	3	59967	(000000-) Seal, Ure, 0.38 0.75w 13.2l Adh	1
	4	54275A	(000000-) Bracket, Mtg, Motor	1
	5	74454	(000000-) Impeller, 9.00d X 1.40w X 0.376b	1
▽	6	59656	(000000-) Duct Assy, Vacfan, W/ Seal	1
▲	7	59735	(000000-) Seal, Ure, 0.38 0.75w 33.0l Adh	1
	8	54274	(000000-) Isolator, Vib, Bshg, 1.1d 0.6l .4b 0.78h	4
	9	58540	(000000-) Duct Wldt, Transition, Vacfan	1
	10	378972	(000000-) Seal, Ure, 0.38 0.75w 25.2l Adh	1
	11	59649	(000000-) Isolator, Vib, Bshg, 1.1d 0.6l .4b 0.78h	1
	12	374504	(000000-) Hinge Wldt, Pin, .43d, Cover, Eng, Rh	1
	13	374505	(000000-) Hinge Wldt, Pin, .43d, Cover, Eng, Lh	1
	14	69990	(000000-) Insulation, Acstc, Seal, Vac Fan	1
	15	66184	(000000-) Insulation, Acstc, 1.0 05.0w 05.0l	2
	16	34323	(000000-) Screw, Hex, .25-20 X 0.75, NI	4
	17	41178	(000000-) Washer, Flat, 0.25 Fender	4
	18	39285	(000000-) Screw, Hex, M10 X 1.5 X 40, 8.8	3
	19	13248	(000000-) Washer, Flat, 0.38 Std	7
	20	41430	(000000-) Nut, Hex, Lock, M10 X 1.5, NI	3
	21	07810	(000000-) Screw, Flt, M08 X 1.25 X 25, 10.9	4
	22	08709	(000000-) Nut, Hex, Lock, M 8 X 1.25 NI	4
	23	32485	(000000-) Washer, Flat, .38 Sae	1
	24	31241	(000000-) Nut, Hex, Lock, .31-24, NI, Thin	1
	25	78143	(000000-) Fitting, Hyd, Str, Jm08/Jf12	1
	26	50902	(000000-) Nut, Hex, Lock, .38-16, NI	4
	27	39277	(000000-) Screw, Hex, M 8 X 1.25 X 25, 8.8	2
	28	32491	(000000-) Washer, Flat, 0.31 Std	2
	29	53485	(000000-) Motor, Hyd, Gear, [Ex] .194 R 3000 (See Breakdowns)	1
	30	44868	(000000-) Fitting, Hyd, E90, Jm08/Om08	1
	31	50960	(000000-) Fitting, Hyd, Str, Jm06/Om04	1
	32	35586	(000000-) Fitting, Hyd, Tee, Jm06/Jf06/Jm06	1
	33	62390	(000000-) Fitting, Hyd, Str, Jm12/Om08	1
	34	35033	(000000-) Fitting, Hyd, E90, Jm12/Jf12	1
	35	40514	(000000-) Fitting, Hyd, Tee, Jm12/Jm12/Jf12	1

Fig. 66 - Hydraulic Schematic

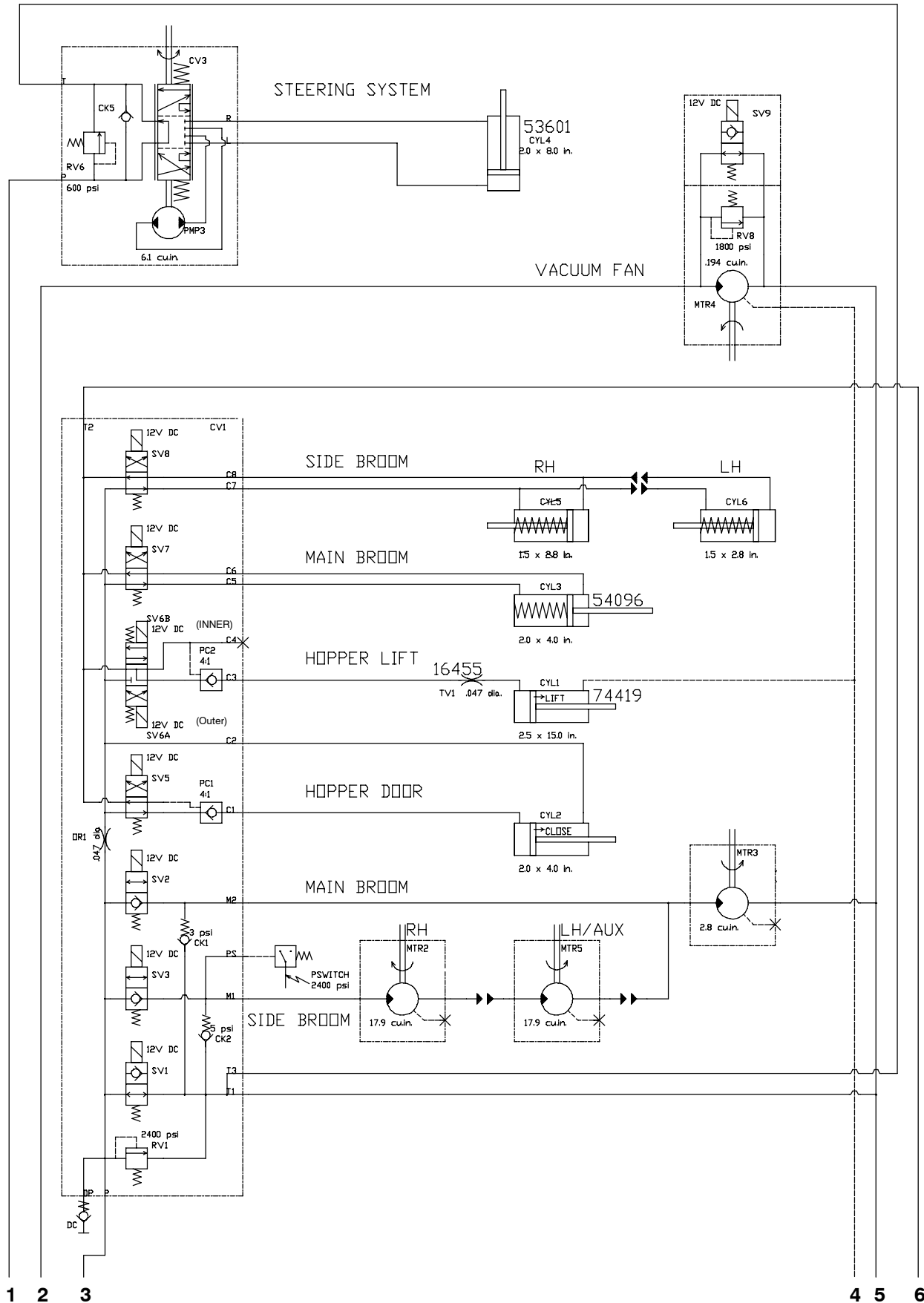


Fig. 66 - Hydraulic Schematic

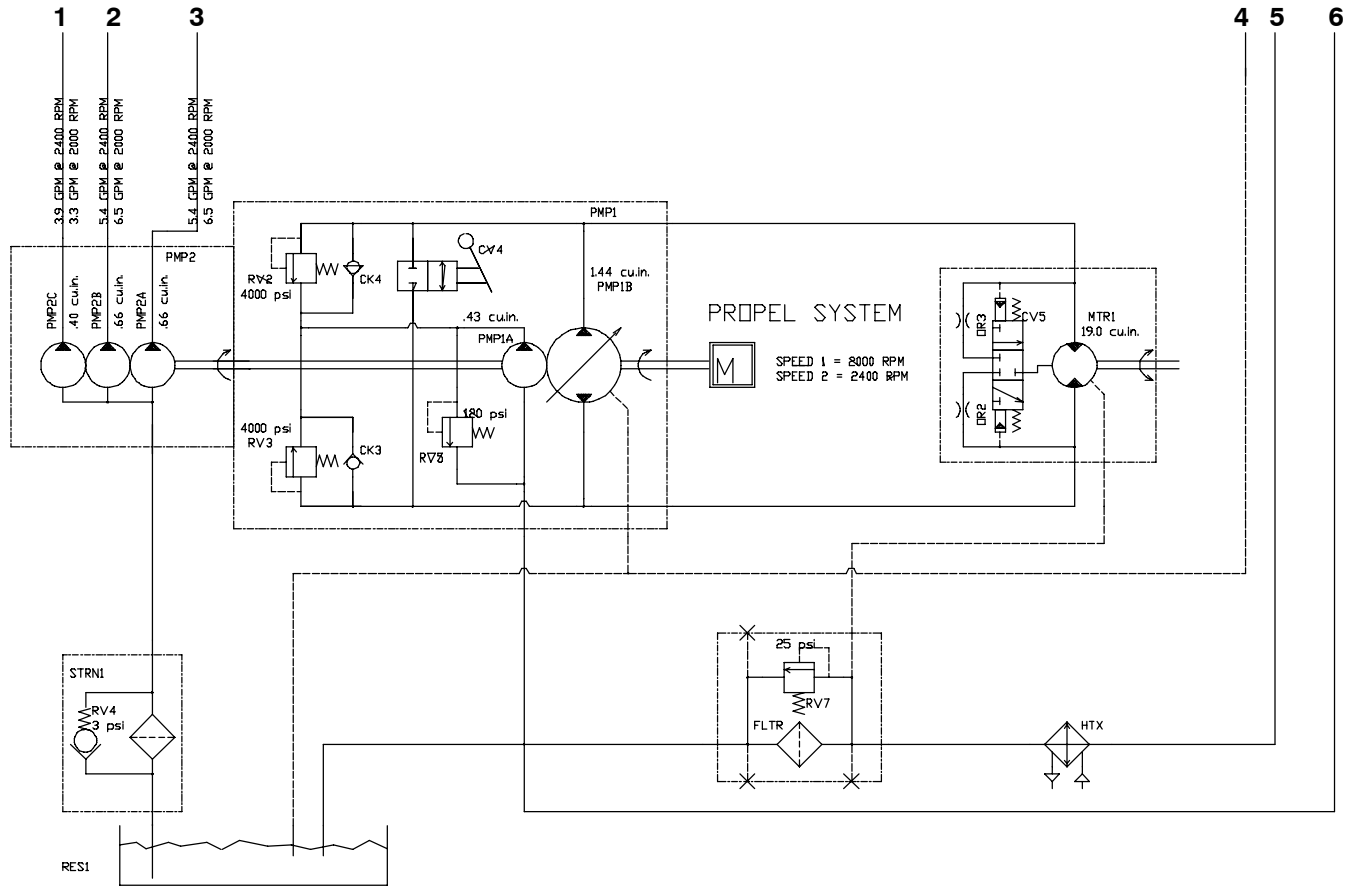


Fig. 67 - Hydraulic Hose Group

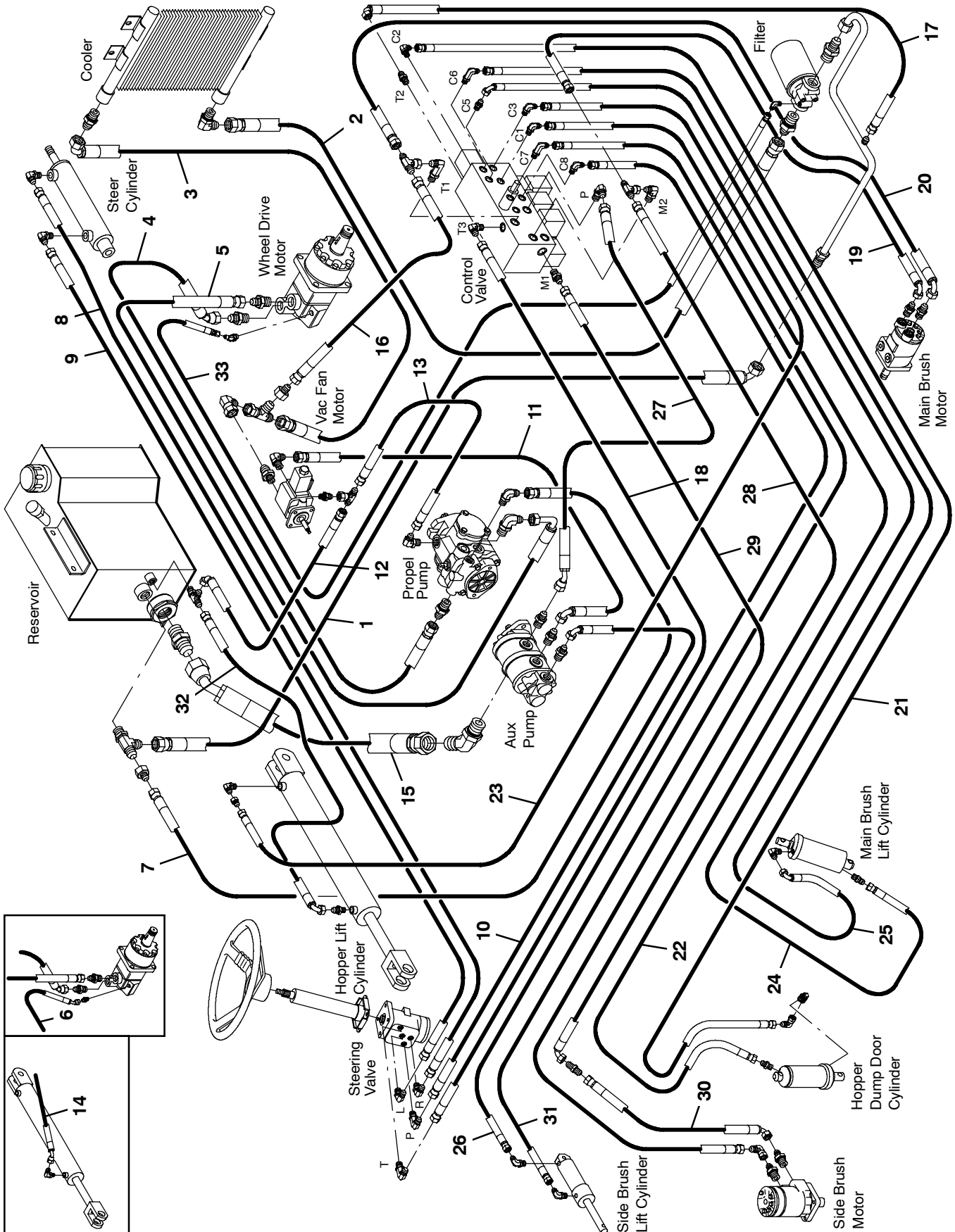


Fig. 67 - Hydraulic Hose Group

Ref.	Part No.	Serial Number	Description	Qty.
1	377250	(000000-) Hose, Hyd,Med12, Jf12str /Jf12e90 , 23.0	1
2	59106	(000000-009999) Hose, Hyd,Med12, Jf12str /Jf12e90l, 60.0	1
2	377250	(010000-) Hose, Hyd,Med12, Jf12str /Jf12e90 , 23.0	1
3	31719	(000000-) Hose, Hyd,Med12, Jf12str /Jf12e90 , 60.0	1
4	59574	(000000-) Hose, Hyd,Tc 10, Jf10str /Jf10e45 , 54.0	1
5	1011582	(000000-) Hose, Hyd,Tc 10, Jf10str /Jf10e90l, 67.0	1
6	377230	(000000-015164) Hose, Hyd,Med04, Jf04str /Jf04e45 , 52.0	1
7	82820	(000000-) Hose, Hyd, Med08, Jf08str / Jf12e90,34.0	1
8	377235	(000000-) Hose, Hyd, Tc 06, Jf06str/Jf06str, 48.0	1
9	396210	(000000-) Hose, Hyd,Tc 06, Jf06str /Jf06str , 36.0	1
10	396234	(000000-) Hose, Hyd,Tc 06, Jf06str /Jf06e90 , 62.0	1
11	59578	(000000-) Hose, Hyd,Med08, Jf08str /Jf08e90 , 32.0	1
12	01999	(000000-) Hose, Hyd,Med06, Jf06str /Jf06e90 , 20.0	1
13	34376	(000000-) Hose, Hyd,Med06, Jf06str /Jf06str , 16.0	1
14	377225	(000000-010501) Hose, Hyd,Med06, Jf06str /Jf06e45 , 12.0	1
15	377233	(000000-) Hose, Hyd,Suc20, Jf20str /Jf20e45 , 27.0	1
16	34395	(000000-) Hose, Hyd, Tc 06, Jf Str/E90 , 48.0l	1
17	77784	(000000-) Hose, Hyd,Med06, Jf06str /Jf06e90 , 17.0	1
18	9000371	(000000-) Hose, Hyd, Ar06, Jf06str / Jf06str, 70.0	1
19	364983	(000000-) Hose, Hyd,Med06, Jf06str /Jf06e90 , 39.0	1
20	377232	(000000-) Hose, Hyd,Med08, Jf08str /Jf08e90 , 37.0	1
21	77640	(000000-) Hose, Hyd,Tc 04, Jf04str /Jf04str ,106.0	1
22	21117	(000000-) Hose, Hyd,Tc 04, Jf04str /Jf04str , 98.0	1
23	77306	(000000-) Hose, Hyd,Med04, Jf04str /Jf04str , 52.0	1
24	57962	(000000-) Hose, Hyd,Med04, Jf04str /Jf04e90 , 64.0	1
25	377234	(000000-) Hose, Hyd,Tc 04, Jfstr /Jf04e45 , 66.0	1
26	65208	(000000-) Hose, Hyd,Tc 04, Jf04str /Jf04str ,104.0	1
27	16473	(000000-) Hose, Hyd,Med08, Jf08str /Jf08e45 , 26.0	1
28	9000249	(000000-) Hose, Hyd,Med06, Jf06str /Jf06e90 , 84.0	1
29	377226	(000000-) Hose, Hyd,Tc 06, Jf06str /Jf06str ,126.0	1
30	71552	(000000-) Hose, Hyd,Med06, Jf06str /Jf06e90 , 46.0	1
31	77641	(000000-) Hose, Hyd,Tc 04, Jf04str /Jf04str ,114.0	1
32	01998	(010502-) Hose, Hyd, Med06, Jf06e90/Jf06str, 010.0	1
33	77306	(015165-) Hose, Hyd, Med04, Jf04str/Jf04str, 052.0	1

Fig. 68 - Hydraulic Reservoir Group

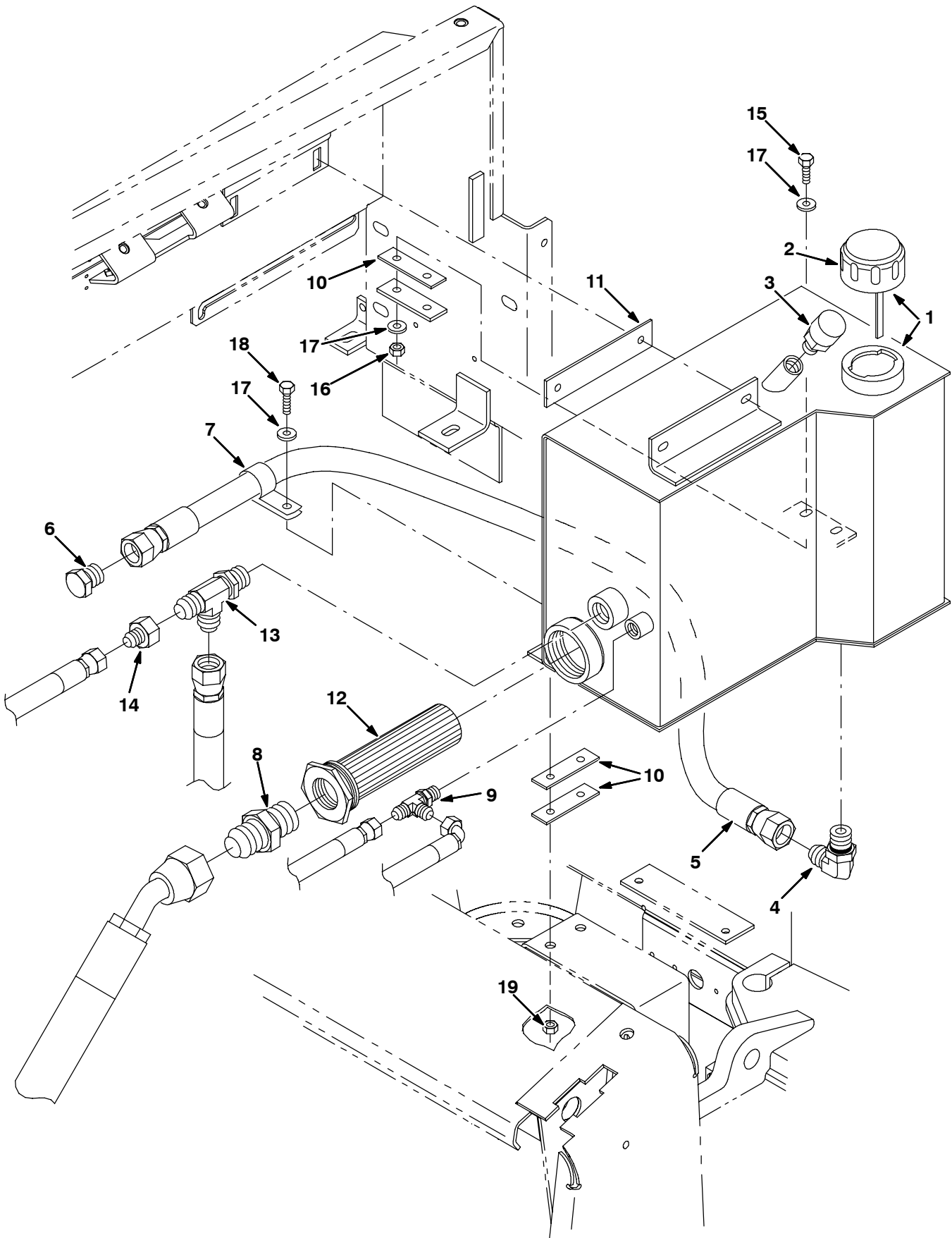


Fig. 68 - Hydraulic Reservoir Group

	Ref.	Part No.	Serial Number	Description	Qty.
∇	1	377244	(000000-) Reservoir, W/ Label, 06.5gal [6600/6650]	1
▲	2	23163	(000000-) Cap, Breather, Hyd, 2.2 Ds	1
	3	23182	(000000-) Breather, Hyd, 20mic 05psi .75-16	1
	4	56821	(000000-) Fitting, Hyd, E90, Jm08/Om10	1
	5	13115	(000000-) Hose, Hyd,Low08, Jf08str /Jf08str , 20.0	1
	6	16376	(000000-) Fitting, Hyd, Plug, Jm08	1
	7	53466	(000000-) Clamp, Cable, Stl, 1.50d X 1.00w, 1h	1
	8	58858	(000000-) Fitting, Hyd, Str, Jm20/Om20	1
	9	76316	(000000-) Fitting, Hyd, Tee, Jm06/Jm06/Om06	1
	10	59789	(000000-) Strip, Rbr, 0.13 01.00w 03.5l	3
	11	59790	(000000-) Strip, Rbr, 0.13 01.50w 07.0l	1
	12	31613	(000000-) Strainer, Hyd, 25gpm 100mesh Psi	1
	13	42216	(000000-) Fitting, Hyd, Tee, Jm12/Jm12/Om12	1
	14	78143	(000000-) Fitting, Hyd, Str, Jm08/Jf12	1
	15	09010	(000000-) Screw, Hex, M 8 X 1.25 X 25, Ss	2
	16	08709	(000000-) Nut, Hex, Lock, M 8 X 1.25 NI	2
	17	32491	(000000-) Washer, Flat, 0.31 Std	4
	18	76570	(000000-) Screw, Hex, M 8 X 1.25 X 30, 8.8	2
	19	08713	(000000-) Nut, Hex, Lock, M 8 X 1.25, NI, Ss	2

Fig. 69 - Hydraulic Cooler Group (00000-009999)

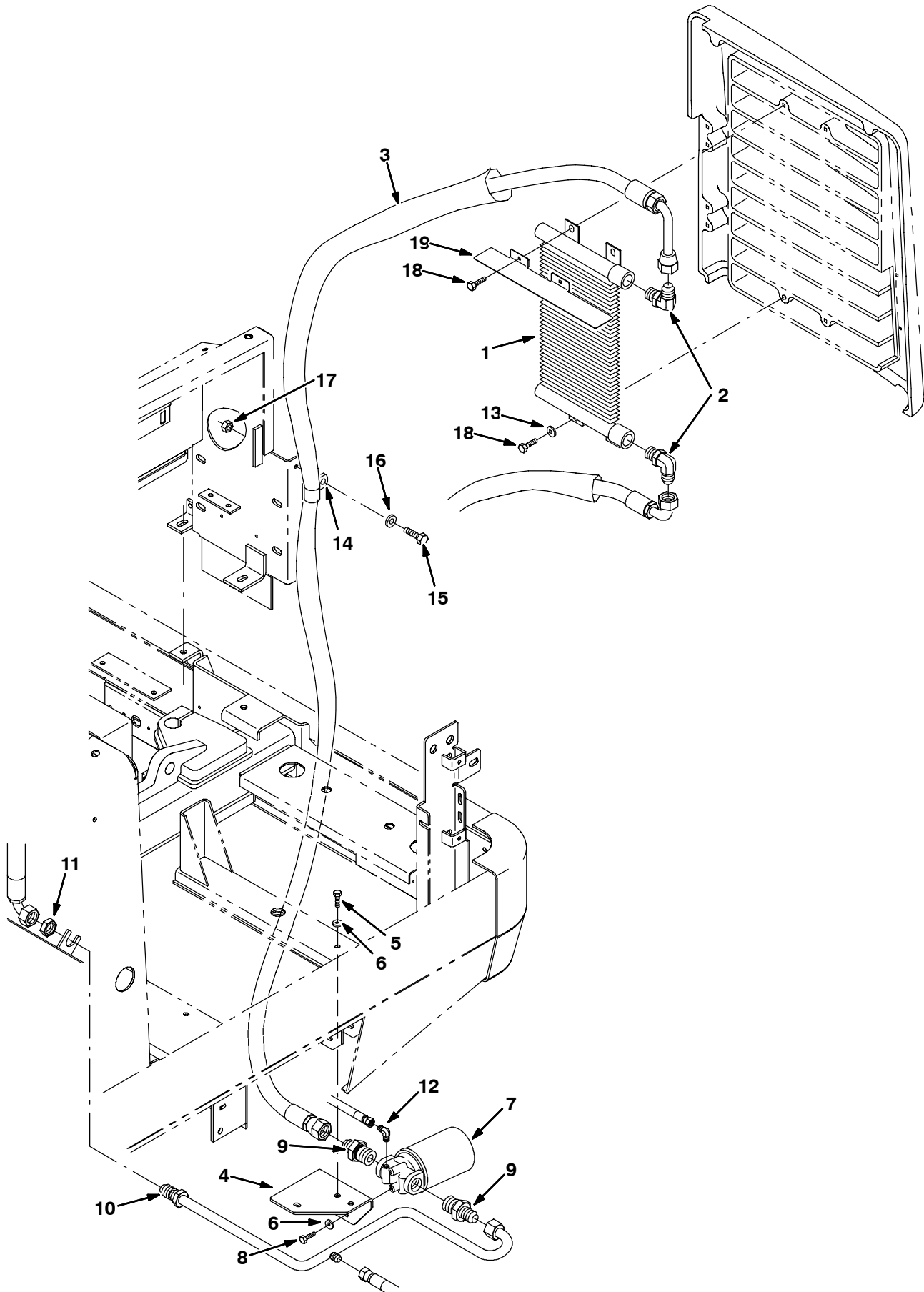


Fig. 69 - Hydraulic Cooler Group (000000-009999)

Ref.	Part No.	Serial Number	Description	Qty.	
1	13698	(000000-009999)	Cooler, Hyd, 25gpm 325btu Of12 13x12x2	1	
2	46481	(000000-009999)	Fitting, Hyd, E90, Jm12/Om12	2	
3	87676	(000000-009999)	Sleeve, Nyl, #27 30.0l	1	
4	1006647	(000000-009999)	Bracket, Mtg, Hyd	1	
5	06956	(000000-009999)	Screw, Hex, M 8 X 1.25 X 45, 8.8	2	
6	32491	(000000-009999)	Washer, Flat, 0.31 Std	4	
▽	7	1006329	(000000-009999)	Filter, Hyd 10mic 30gpm 150	1
▲		1008968	(000000-009999)	Element, Fltr, Oil, Hyd	1
8	54395	(000000-009999)	Screw, Hex, .31-18 X 0.62, 5	2	
9	71562	(000000-009999)	Fitting, Hyd, Str, Jm12/Om20	2	
10	1007048	(000000-009999)	Tube, Hyd, 12 Jf12/Jm12	1	
11	396279	(000000-009999)	Fitting, Hyd, Nut, Jm12	1	
12	55455	(000000-009999)	Fitting, Hyd, E90, Pm02/Jm04	1	
13	41178	(000000-009999)	Washer, Flat, 0.25 Fender	2	
14	53466	(000000-009999)	Clamp, Cable, Stl, 1.50d X 1.00w, 1h	2	
15	16931	(000000-009999)	Screw, Hex, M 8 X 1.25 X 20, 8.8	2	
16	32491	(000000-009999)	Washer, Flat, 0.31 Std	2	
17	07791	(000000-009999)	Nut, Hex, Flng, M08 X 1.25	2	
18	11329	(000000-009999)	Screw, Hex, M 6 X 1.0 X 16, Ss, NI	4	
19	1007966	(000000-009999)	Deflector, Air	2	

Fig. 70 - Hydraulic Cooler Group (010000-)

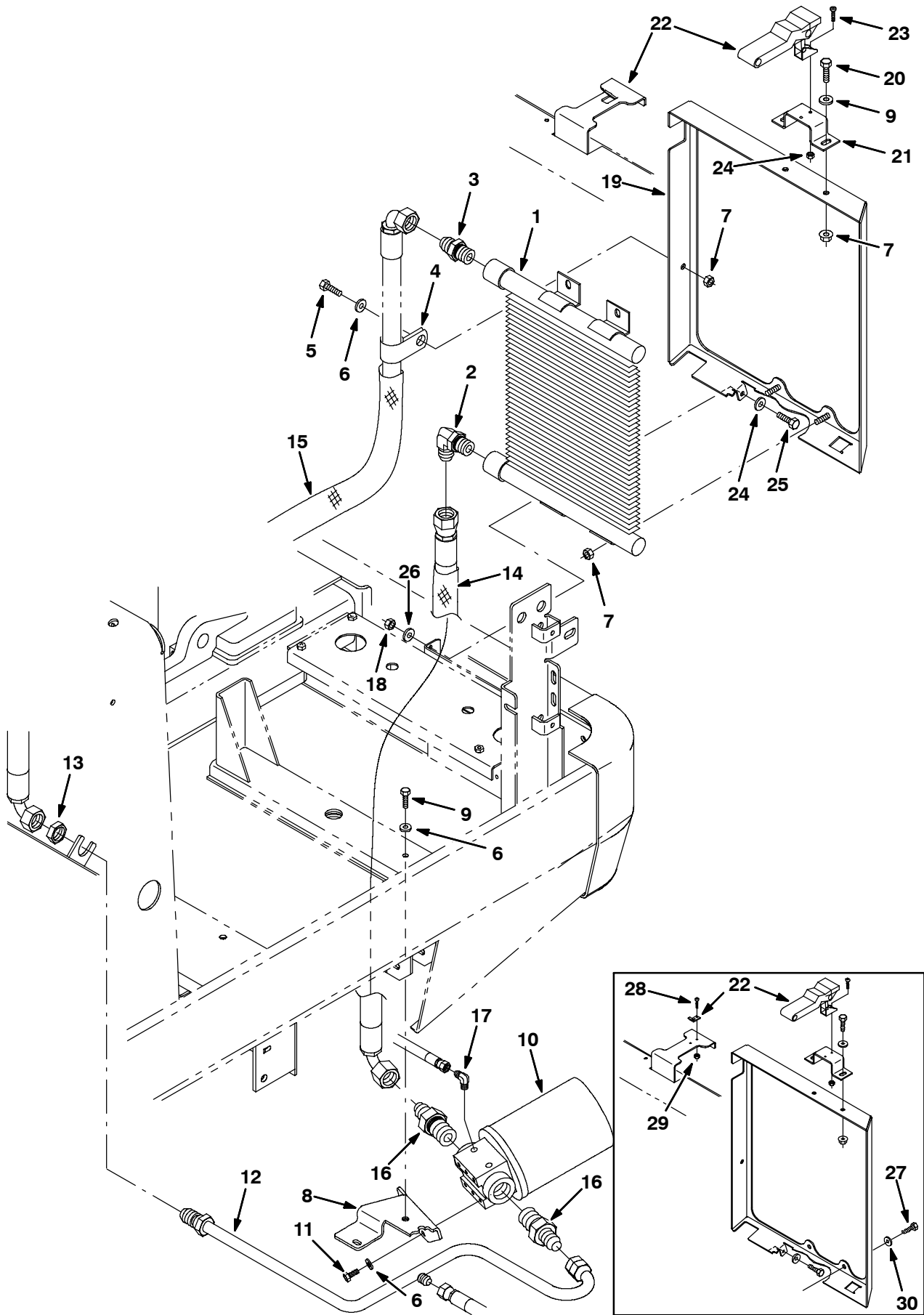


Fig. 70 - Hydraulic Cooler Group (010000-)

Ref.	Part No.	Serial Number	Description	Qty.	
1	13698	(010000-) Cooler, Hyd, 25gpm 325btu Of12 13x12x2	1	
2	46481	(010000-) Fitting, Hyd, E90, Jm12/Om12	1	
3	42260	(010000-) Fitting, Hyd, Str, Jm12/Om12	1	
4	69234	(010000-) Clamp, Cable, Stl, 1.00d X 0.62w, 1h	1	
5	39277	(010000-) Screw, Hex, M8 X 1.25 X 25, 8.8	1	
6	32491	(010000-) Washer, Flat, 0.31 Std	7	
7	07791	(010000-) Nut, Hex, Flng, M8 X 1.25	5	
8	1013681	(010000-014999) Bracket, Mtg, Hyd	1	
8	1029163	(015000-) Bracket, Mtg, Hyd	1	
9	06956	(010000-) Screw, Hex, M8 X 1.25 X 45, 8.8	2	
▽	10	1006329	(010000-) Filter, Hyd 10mic 30gpm 150	1
▲		1008968	(010000-) Element, Fltr, Oil, Hyd	1
	11	54395	(010000-) Screw, Hex, .31-18 X 0.62, 5	2
	12	1014005	(010000-) Tube, Hyd, 12 Jf12/Jm12	1
	13	396279	(010000-) Fitting, Hyd, Nut, Jm12	1
	14	82830	(010000-) Sleeve, Nyl, 27 16.0I	1
	15	87676	(010000-) Sleeve, Nyl, 27 30.0I	1
	16	71562	(010000-) Fitting, Hyd, Str, Jm12/Om20	2
	17	55455	(010000-) Fitting, Hyd, E90, Pm02/Jm04	1
	18	08708	(010000-) Nut, Hex, Lock, M6 X 1.0, NI	4
	19	1008457	(010000-) Bracket, Cooler, Hyd	1
	20	16931	(010000-) Screw, Hex, M8 X 1.25 X 20, 8.8	2
	21	1010049	(010000-) Bracket, Stop	1
	22	49800	(010000-) Latch	1
	23	49697	(010000-) Screw, Pan, M4 X 0.7 X 10, Ss	2
	24	02850	(010000-) Nut, Hex, Lock, M4 X 0.7, NI	2
	25	06942	(010000-) Screw, Hex, M6 X 1.0 X 16, 8.8	2
	26	32483	(010000-) Washer, Flat, 0.25 Sae	4
	27	07810	(025000-xxxxxx) Screw, Flt, M8 X 1.25 X 25, 10.9	4
	28	49697	(025000-xxxxxx) Screw, Pan, M4 X 0.7 X 10, Ss	2
	29	02850	(025000-xxxxxx) Nut, Hex, Lock, M4 X 0.7, NI	2
	30	32483	(025000-xxxxxx) Washer, Flat, 0.25 Sae	4

Fig. 71 - Hydraulic Pumps Group

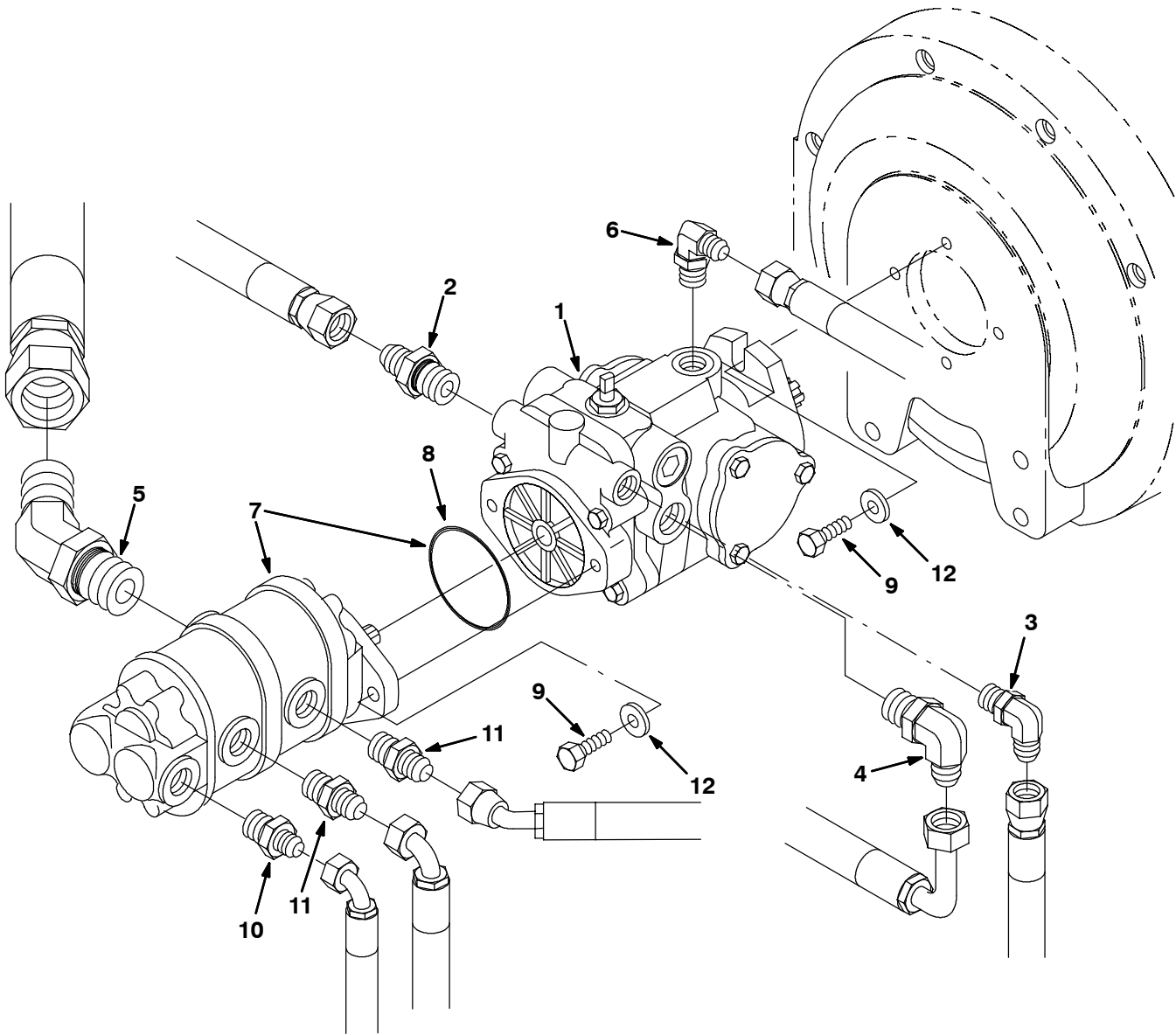


Fig. 71 - Hydraulic Pumps Group

Ref.	Tenant Part No.	Machine Serial Number	Description	Qty.
1	373452	(000000-) Pump, Hyd, Piston, [V] 1.44 [R] 4000 (See Breakdowns)	1
2	42223	(000000-) Fitting, Hyd, Str, Jm10/Om12	1
3	44868	(000000-) Fitting, Hyd, E90, Jm08/Om08	1
4	53076	(000000-) Fitting, Hyd, E90, Jm10/Om12	1
5	71726	(000000-) Fitting, Hyd, E45, Jm20/Om20	1
6	47512	(000000-) Fitting, Hyd, E90, Jm06/Om08	1
▽	7	9000210	(000000-) Pump, Hyd, Gear, W/Org, Afrmkt (See Breakdowns)	1
▲	8	65145-1	(000000-) Seal, O-Ring, .069 X 3.06id	1
9	46559	(000000-) Screw, Hex, .38-16 X 1.25, NI	4
10	47508	(000000-) Fitting, Hyd, Str, Jm06/Om10	1
11	56692	(000000-) Fitting, Hyd, Str, Jm08/Om10	2
12	32485	(000000-) Washer, Flat, .38 Sae	4

Fig. 72 - Hydraulic Control Valve Group

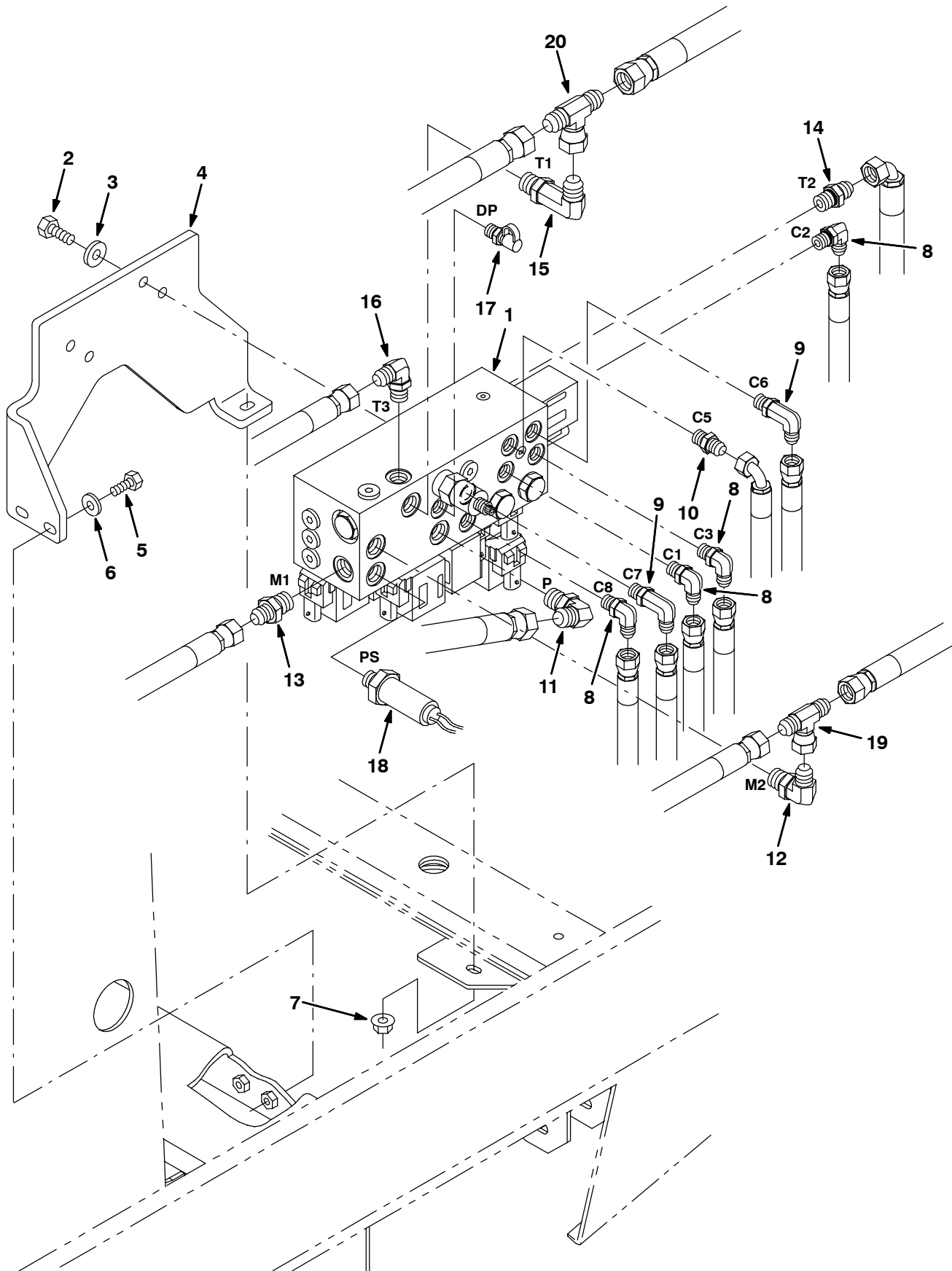


Fig. 72 - Hydraulic Control Valve Group

Ref.	Part No.	Serial Number	Description	Qty.
1	1005148	(000000-) Valve, Cntrl, Hyd [6650] (See Breakdowns)	1
2	06961	(000000-) Screw, Hex, M10 X 1.5 X 20, 8.8	2
3	32492	(000000-) Washer, Flat, 0.38 Std	2
4	1006309	(000000-) Bracket, Mtg, Valve	1
5	16931	(000000-) Screw, Hex, M 8 X 1.25 X 20, 8.8	3
6	32491	(000000-) Washer, Flat, 0.31 Std	3
7	07791	(000000-) Nut, Hex, Flng, M08 X 1.25	1
8	77097	(000000-) Fitting, Hyd, E90, Jm04/Om04	4
9	82825	(000000-) Fitting, Hyd, E90, Jm04om04l	2
10	55586	(000000-) Fitting, Hyd, Str, Jm04/Om04	1
11	44868	(000000-) Fitting, Hyd, E90, Jm08/Om08	1
12	47512	(000000-) Fitting, Hyd, E90, Jm06/Om08	1
13	52402	(000000-) Fitting, Hyd, Str, Jm06/Om08	1
14	56690	(000000-) Fitting, Hyd, Str, Jm06/Om06	1
15	69173	(000000-) Fitting, Hyd, E90, Jm08/Om08[2.48l]	1
16	56820	(000000-) Fitting, Hyd, E90, Jm06/Om06	1
17	395973	(000000-) Fitting, Hyd, Str, Om04/Qm04	1
18	77575	(000000-) Switch Assy, Press, 12vdc 02a Spst No	1
19	35586	(000000-) Fitting, Hyd, Tee, Jm06/Jf06/Jm06	1
20	76315	(000000-) Fitting, Hyd, Tee, Jm08/Jf08/Jm08	1

Fig. 73 - Electrical Schematic (000000-009999)

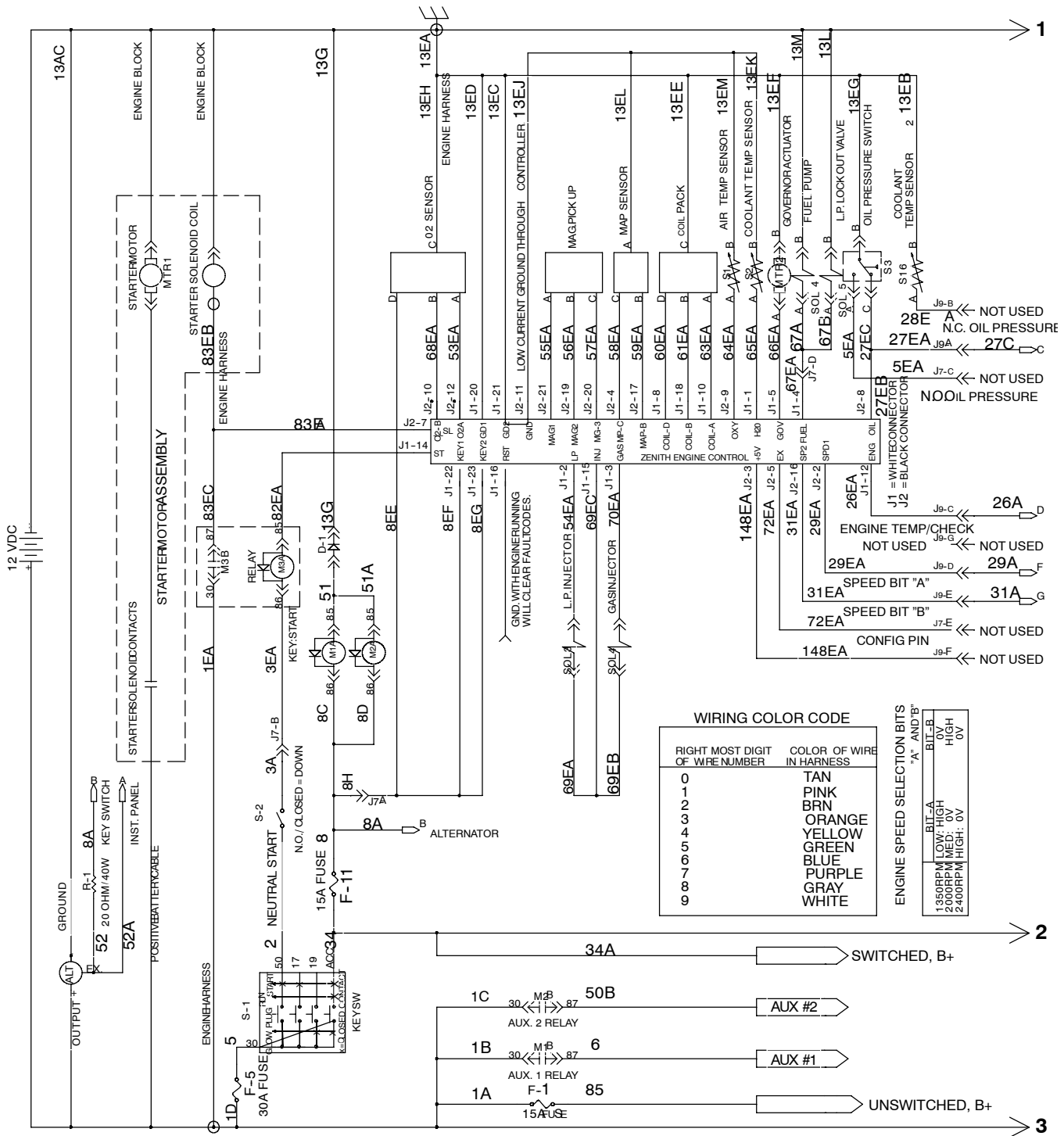


Fig. 73 - Electrical Schematic (000000-009999)

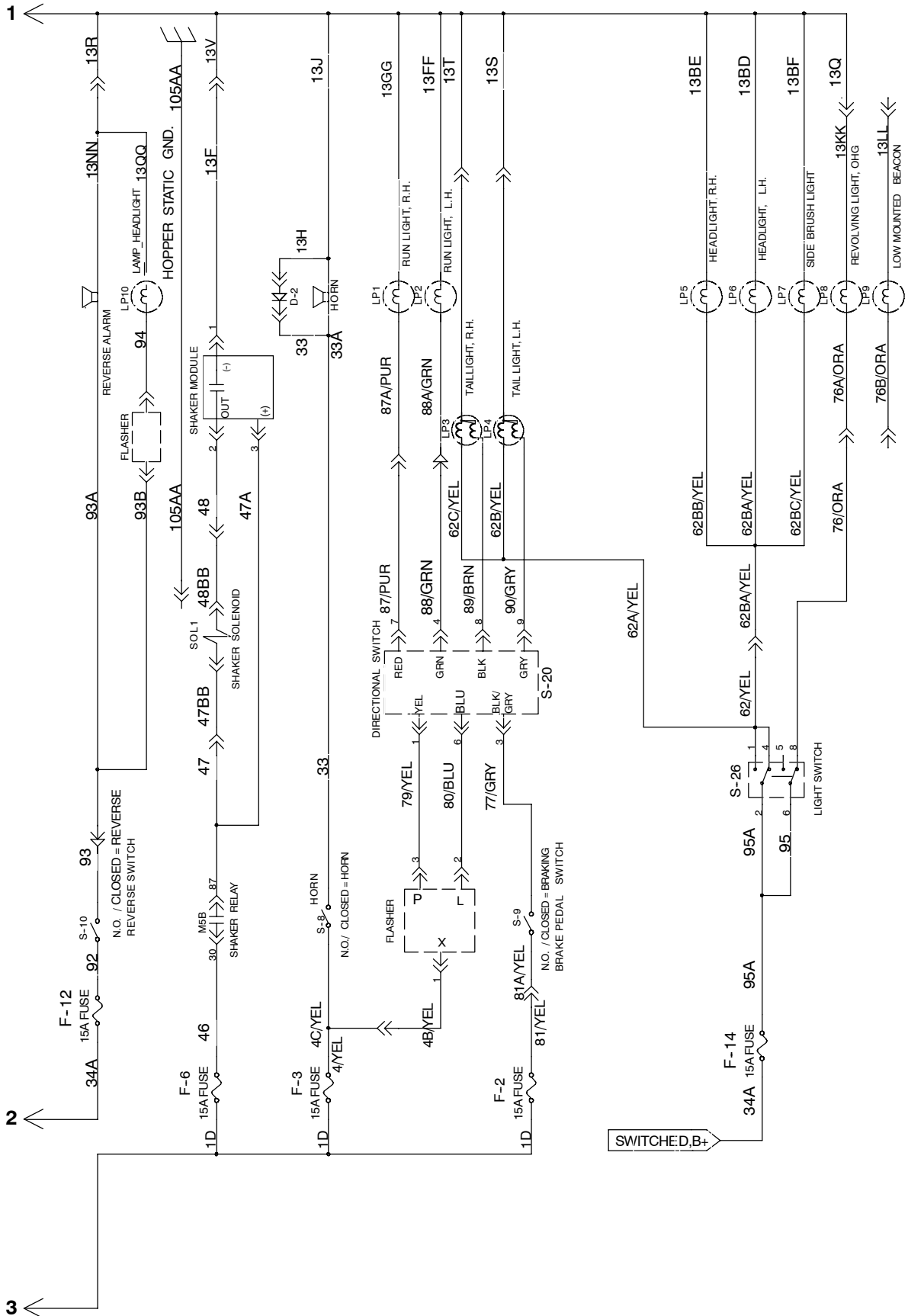


Fig. 73 - Electrical Schematic (000000-009999)

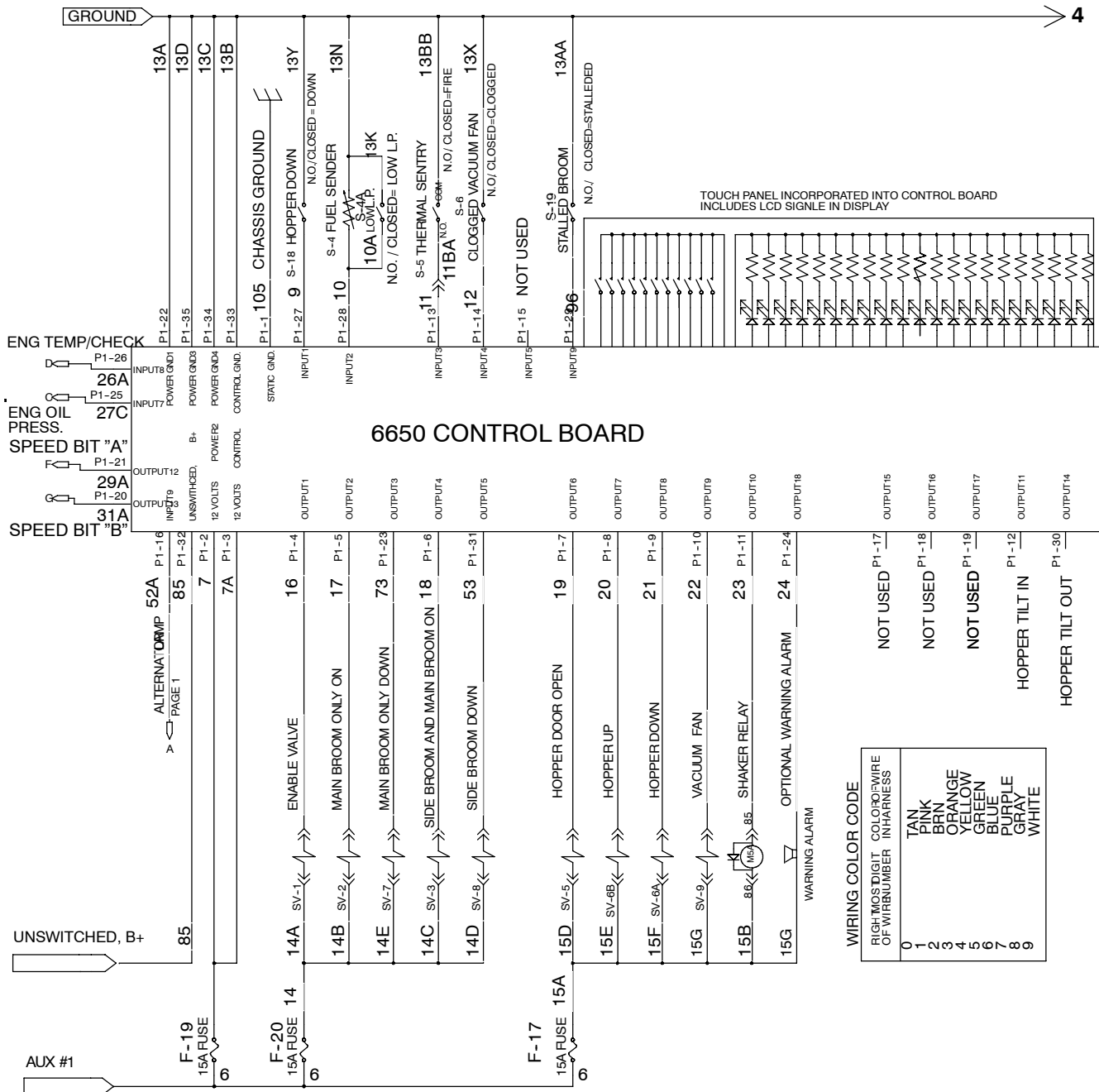


Fig. 73 - Electrical Schematic (000000-009999)

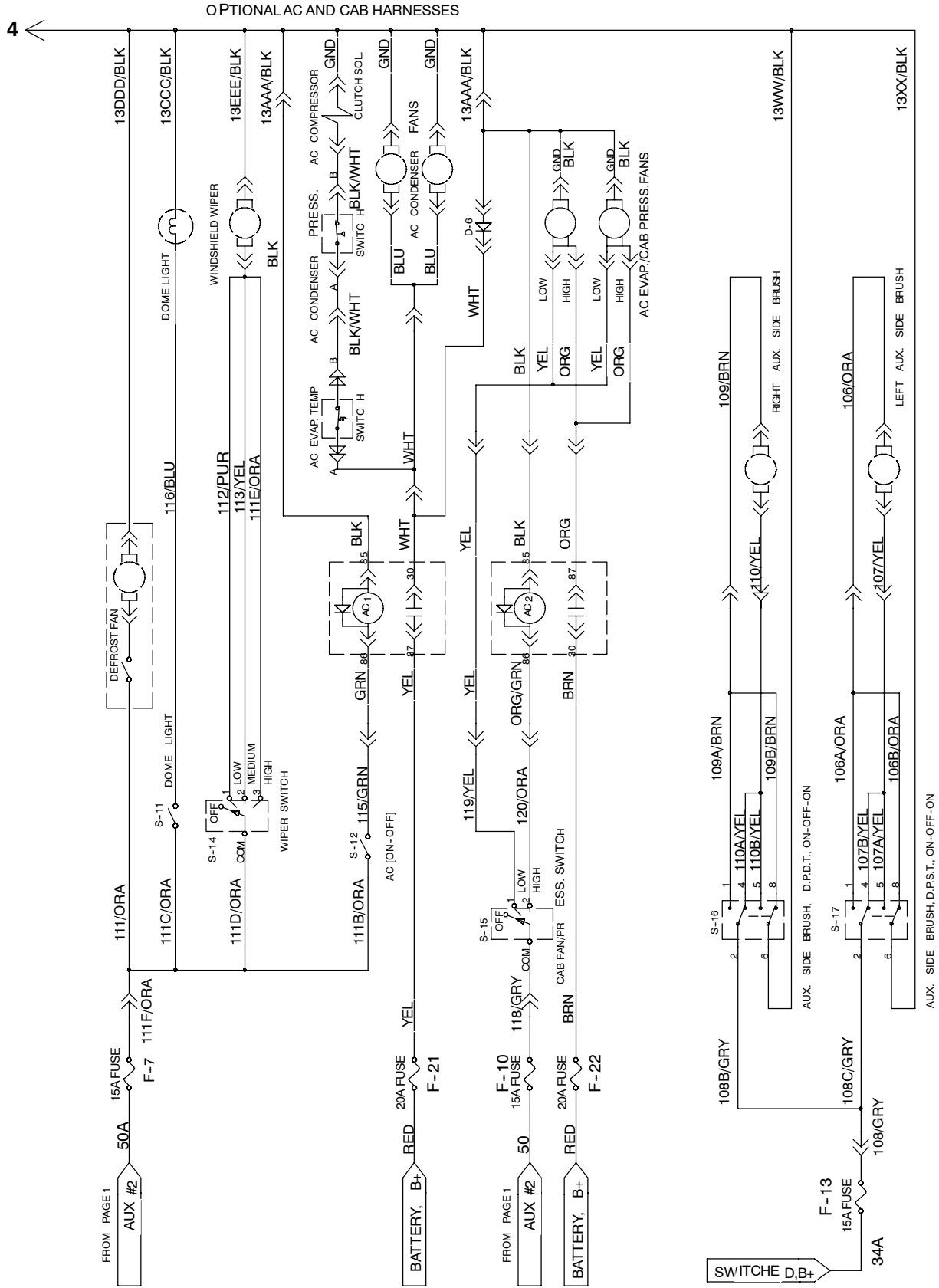


FIG. 74 - Electrical Schematic (010000-014999)

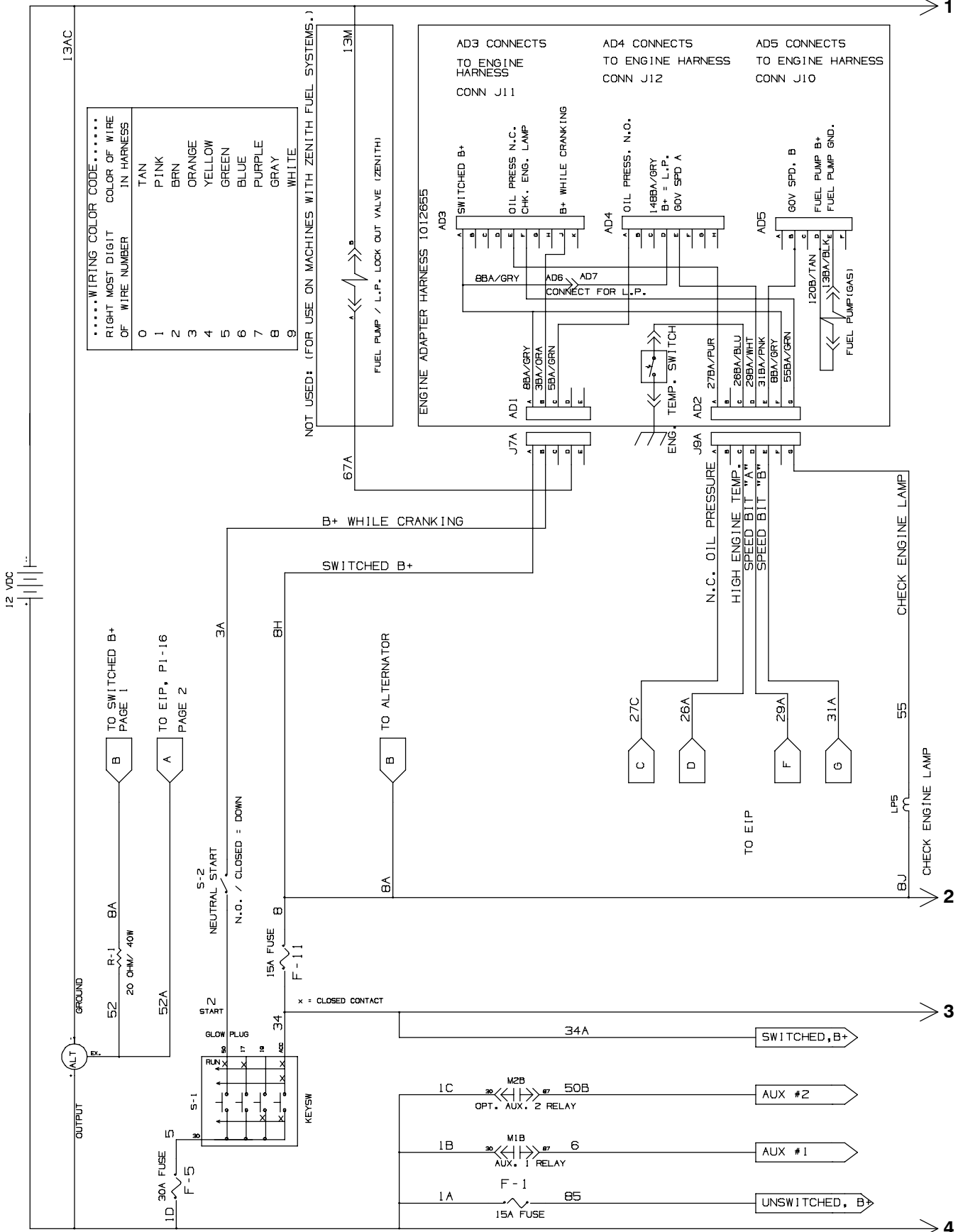


Fig. 74 - Electrical Schematic (010000-014999)

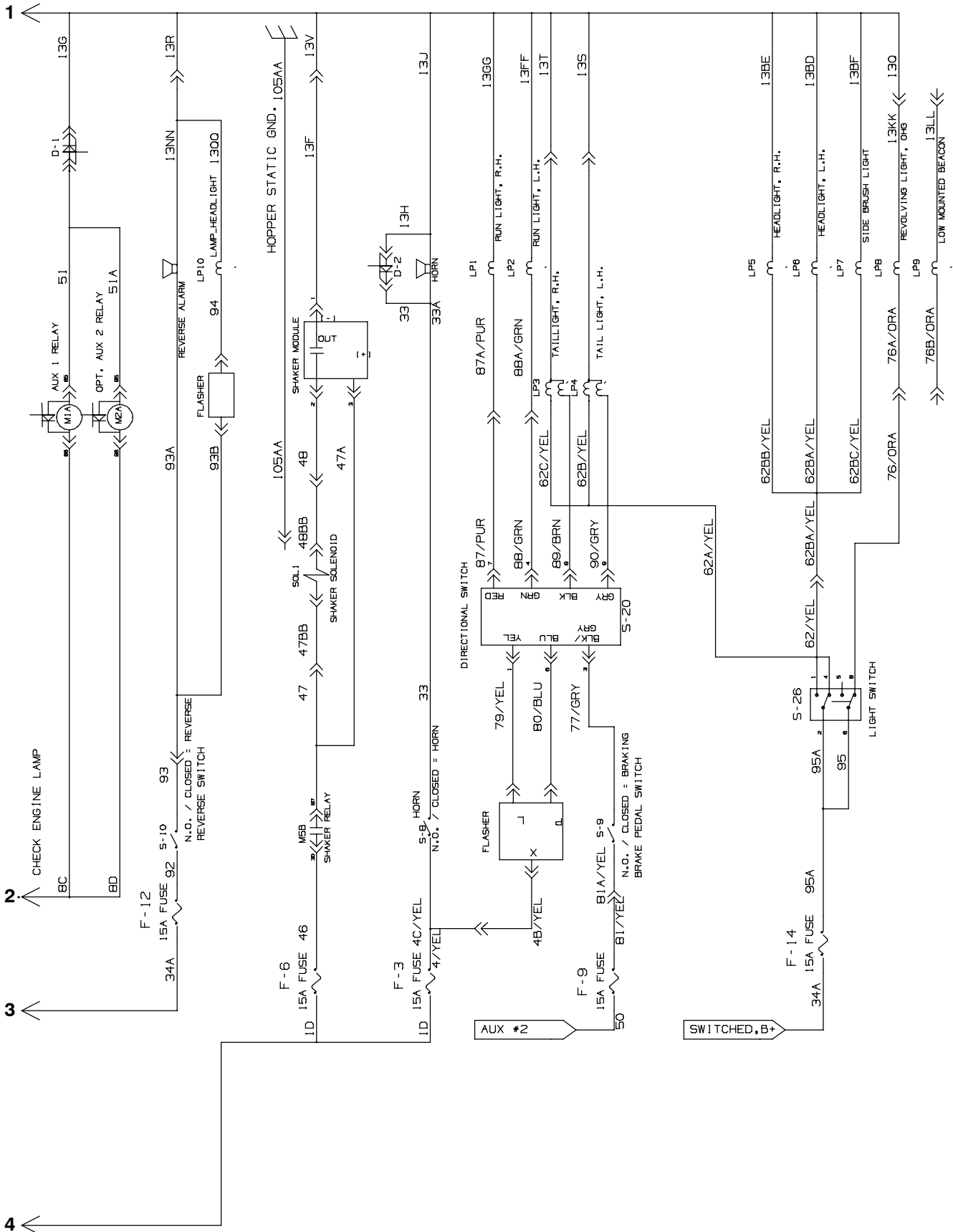
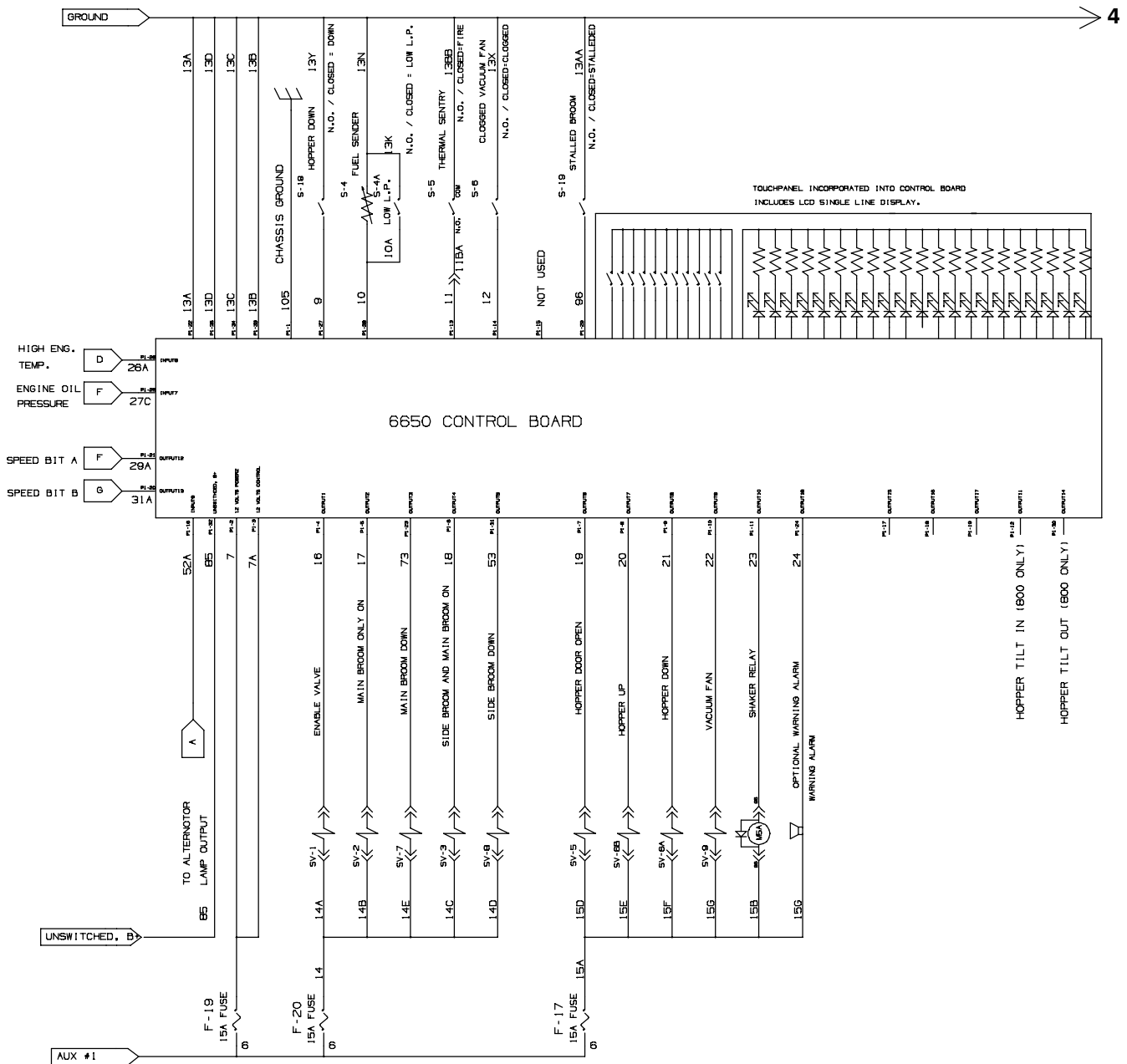


Fig. 74 - Electrical Schematic (010000-014999)



4

Fig. 74 - Electrical Schematic (010000-014999)

OPTIONAL AC AND CAB HARNESSES

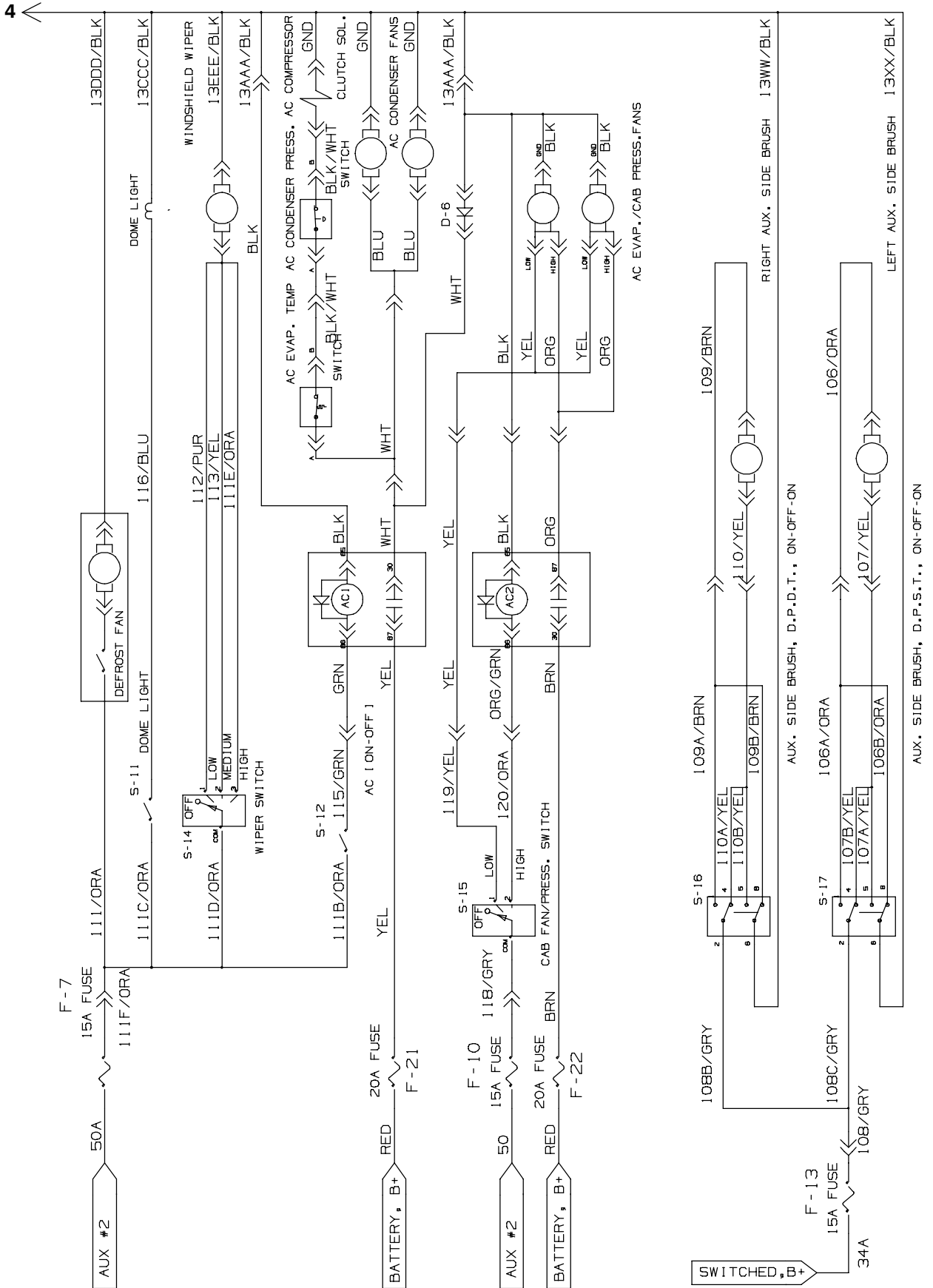
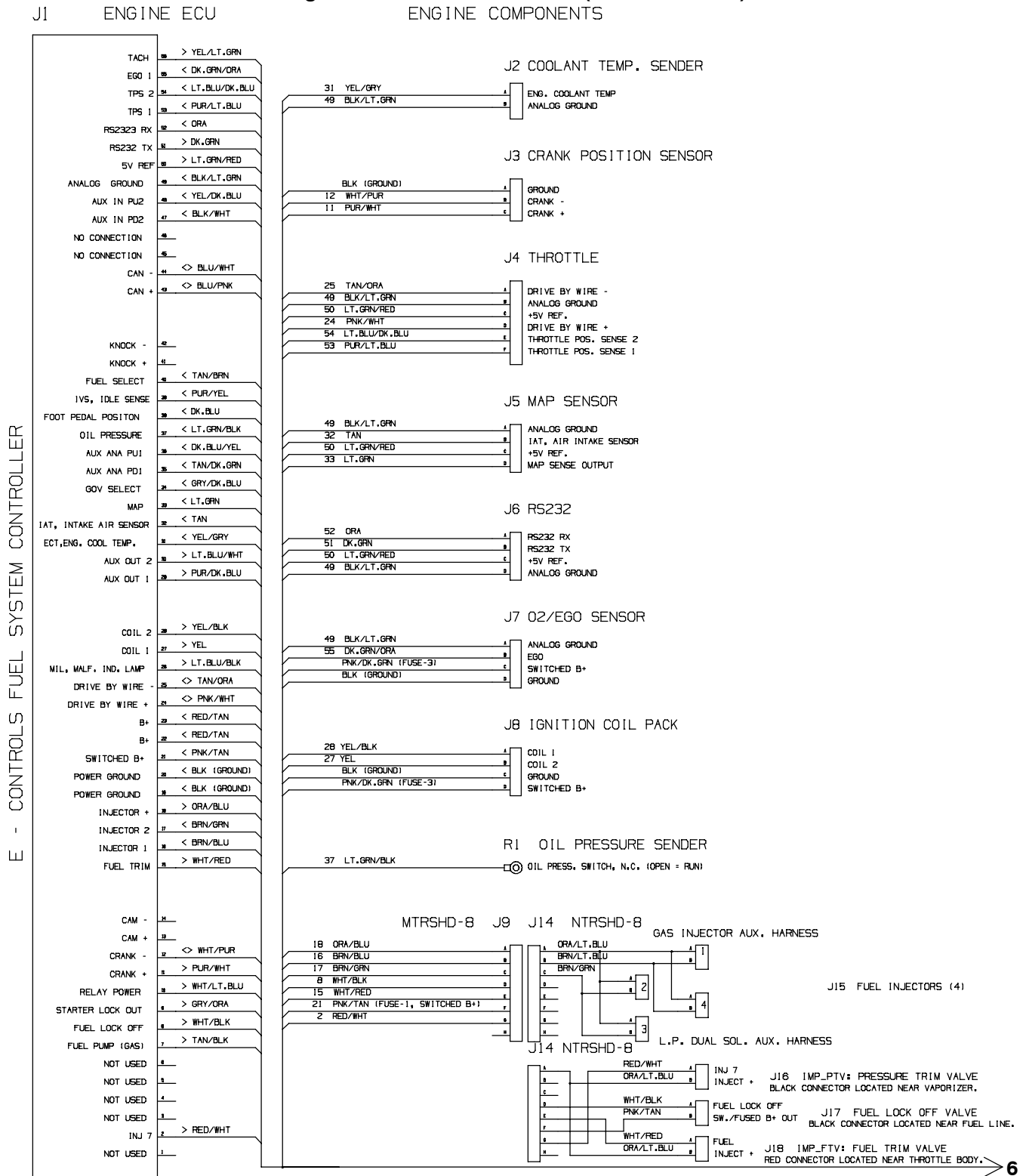


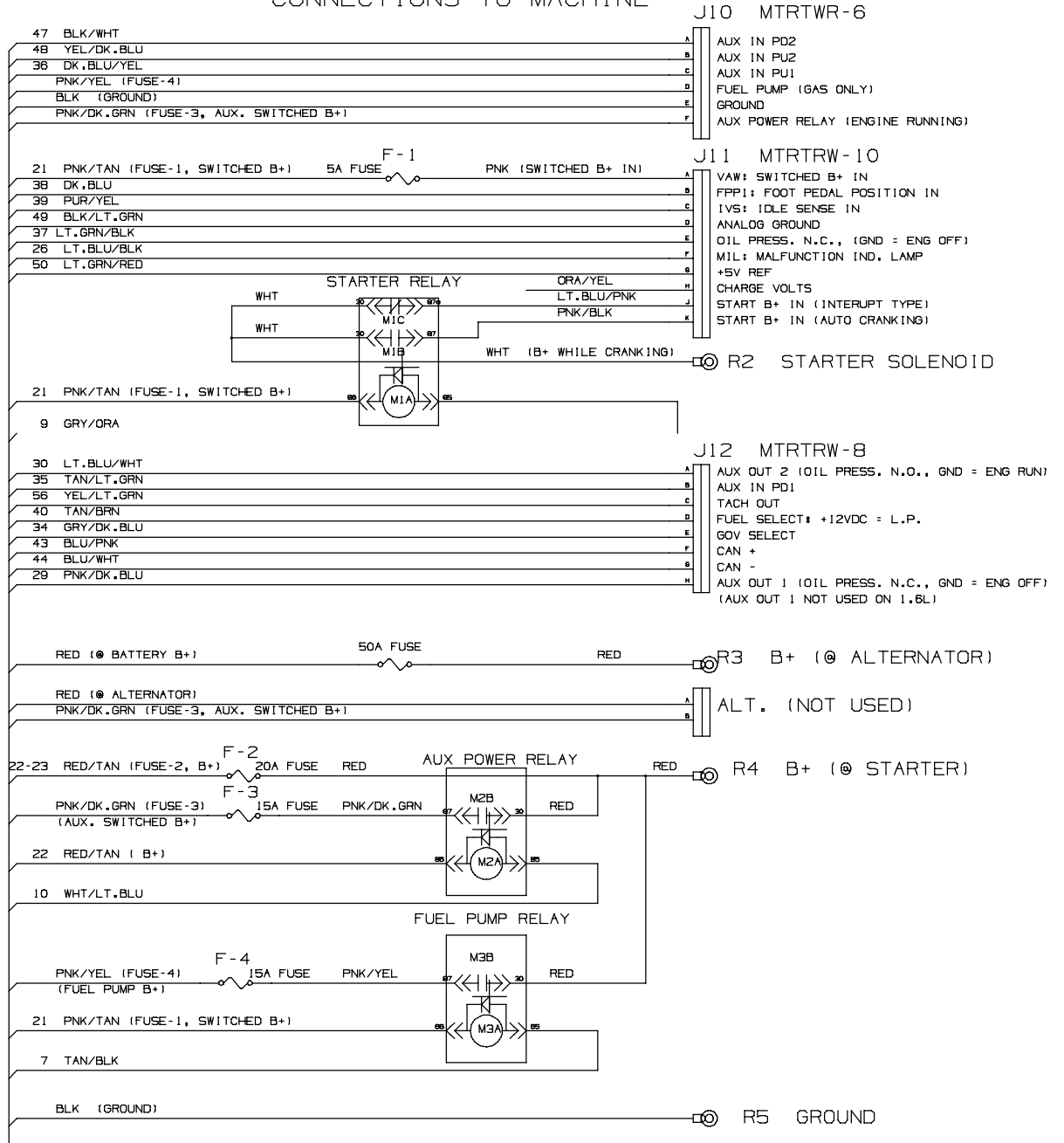
Fig. 74 - Electrical Schematic (010000-014999)



1014371 - 6550, G, LP

Fig. 74 - Electrical Schematic (010000-014999)

CONNECTIONS TO MACHINE



6

Fig. 75 - Electrical Schematic (015000-)

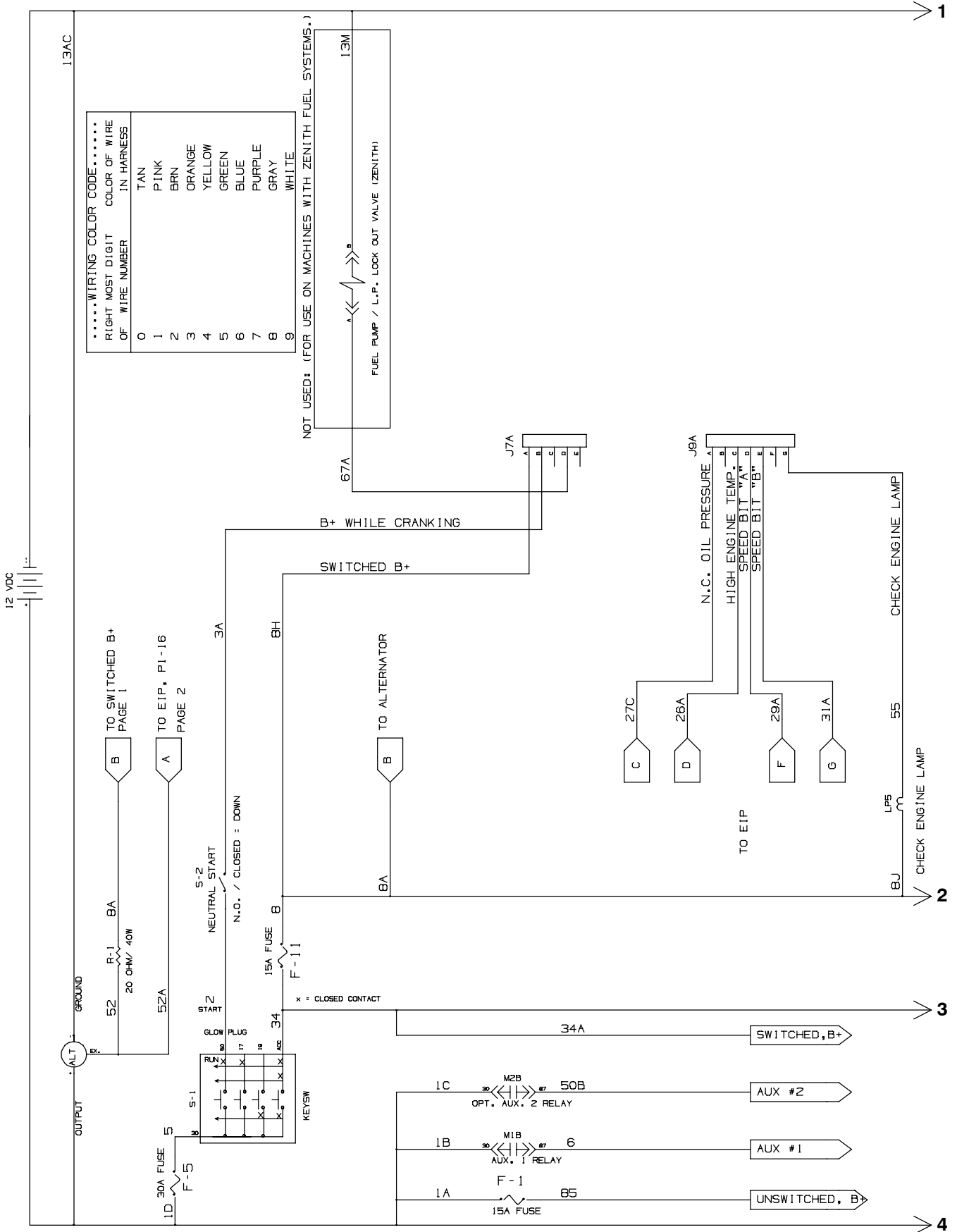


Fig. 75 - Electrical Schematic (015000-)

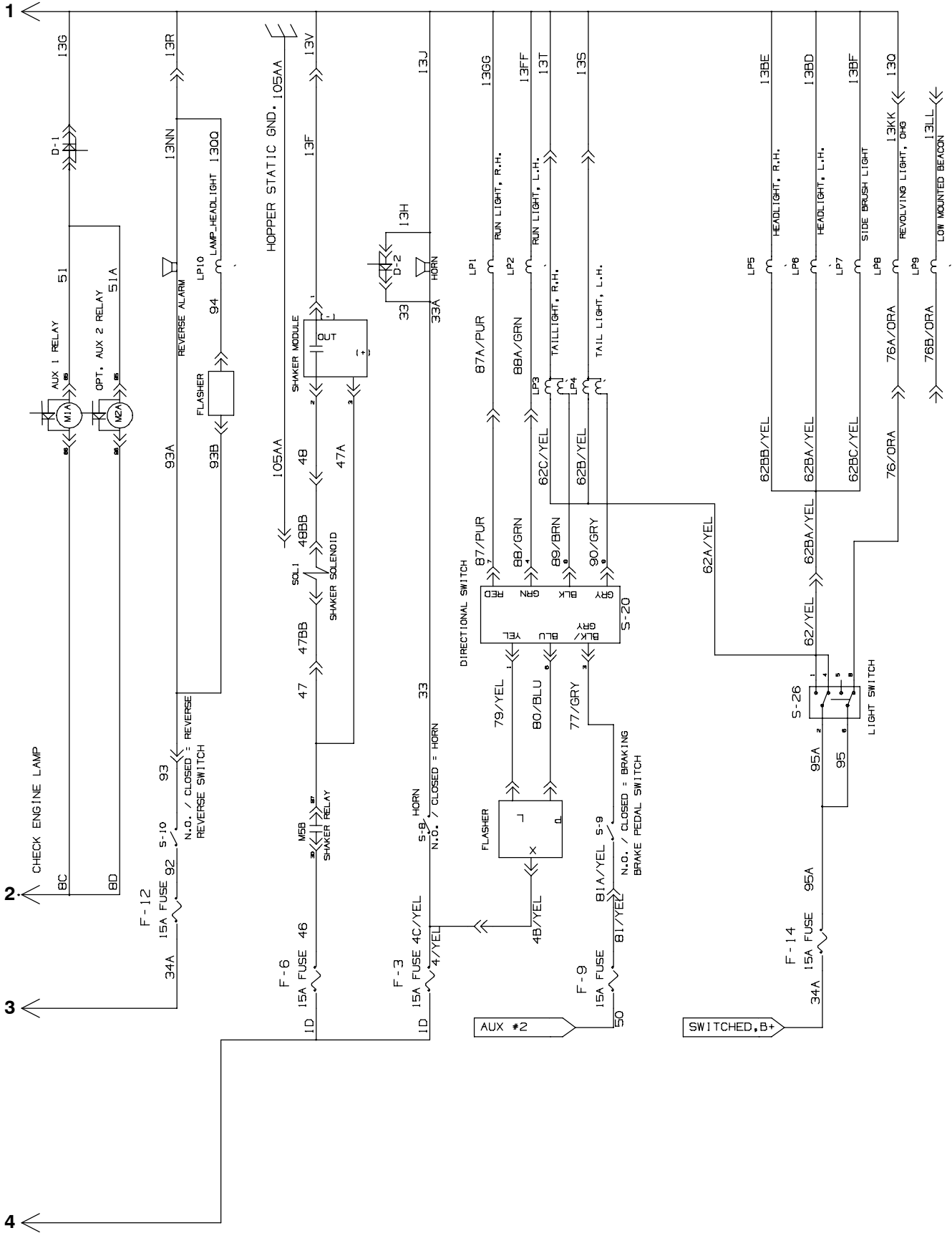


Fig. 75 - Electrical Schematic (015000-)

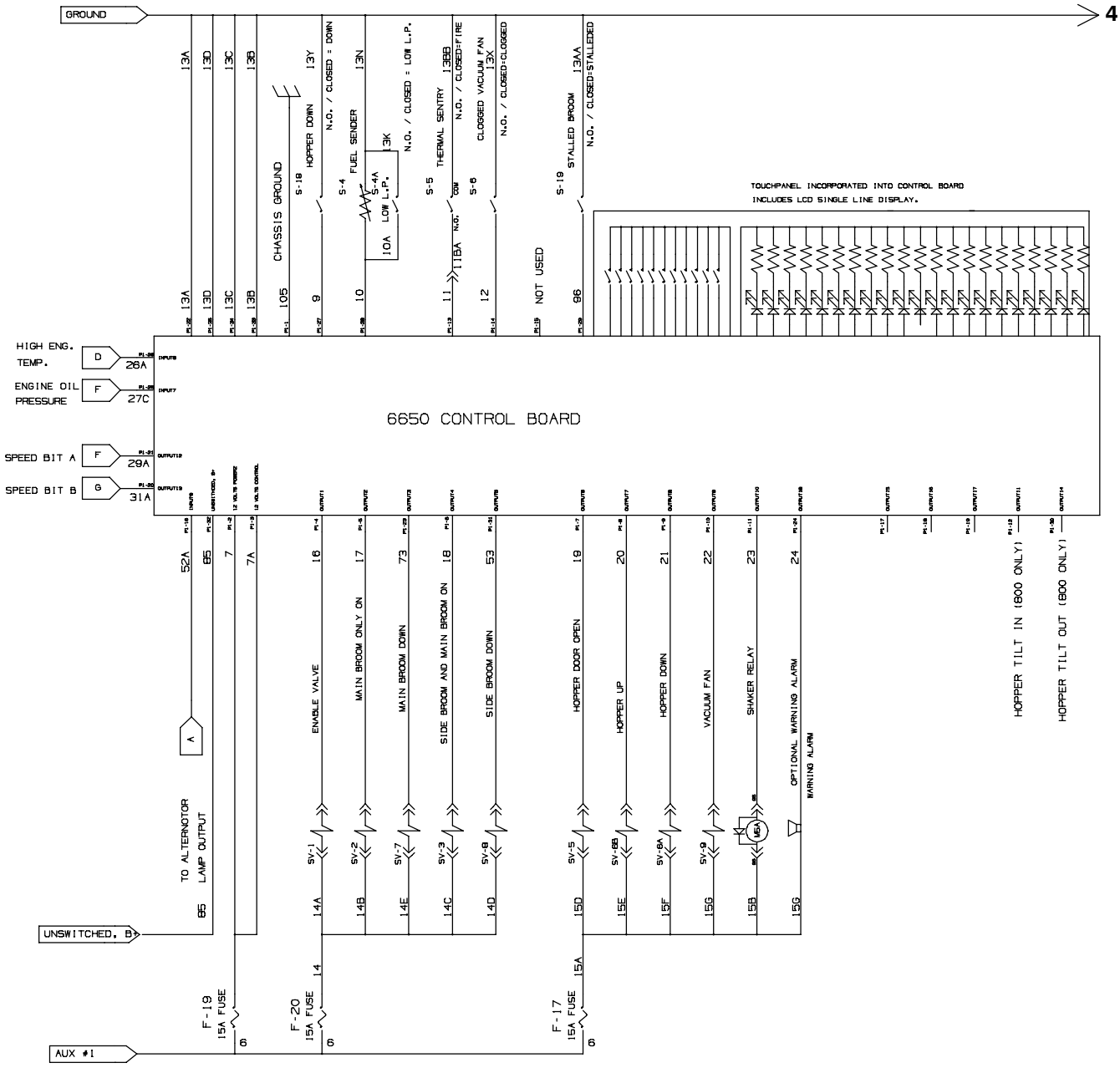
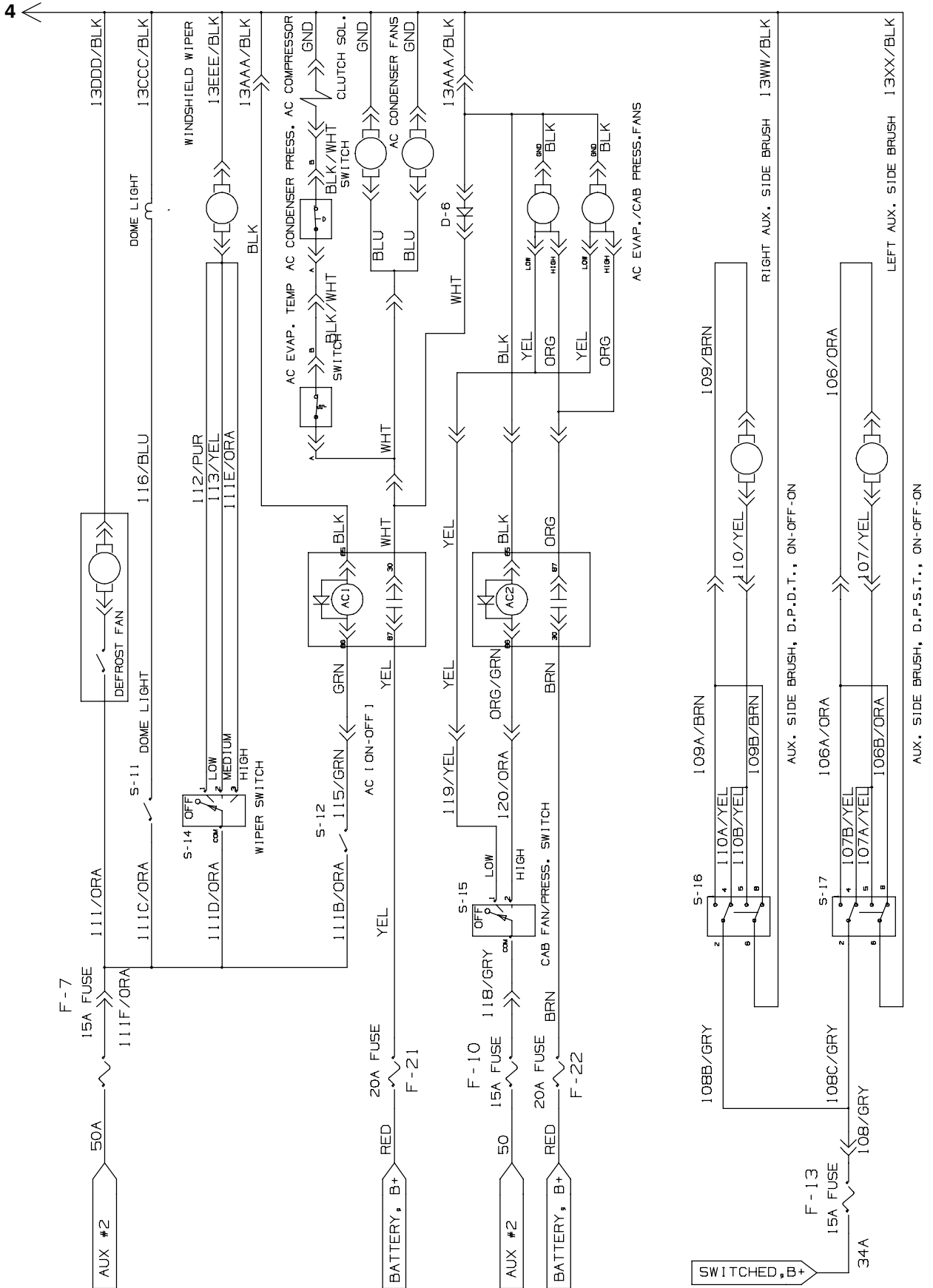


Fig. 75 - Electrical Schematic (015000-)
 OPTIONAL AC AND CAB HARNESSES



1014371 - 6550, G, LP

Fig. 75 - Electrical Schematic (015000-)

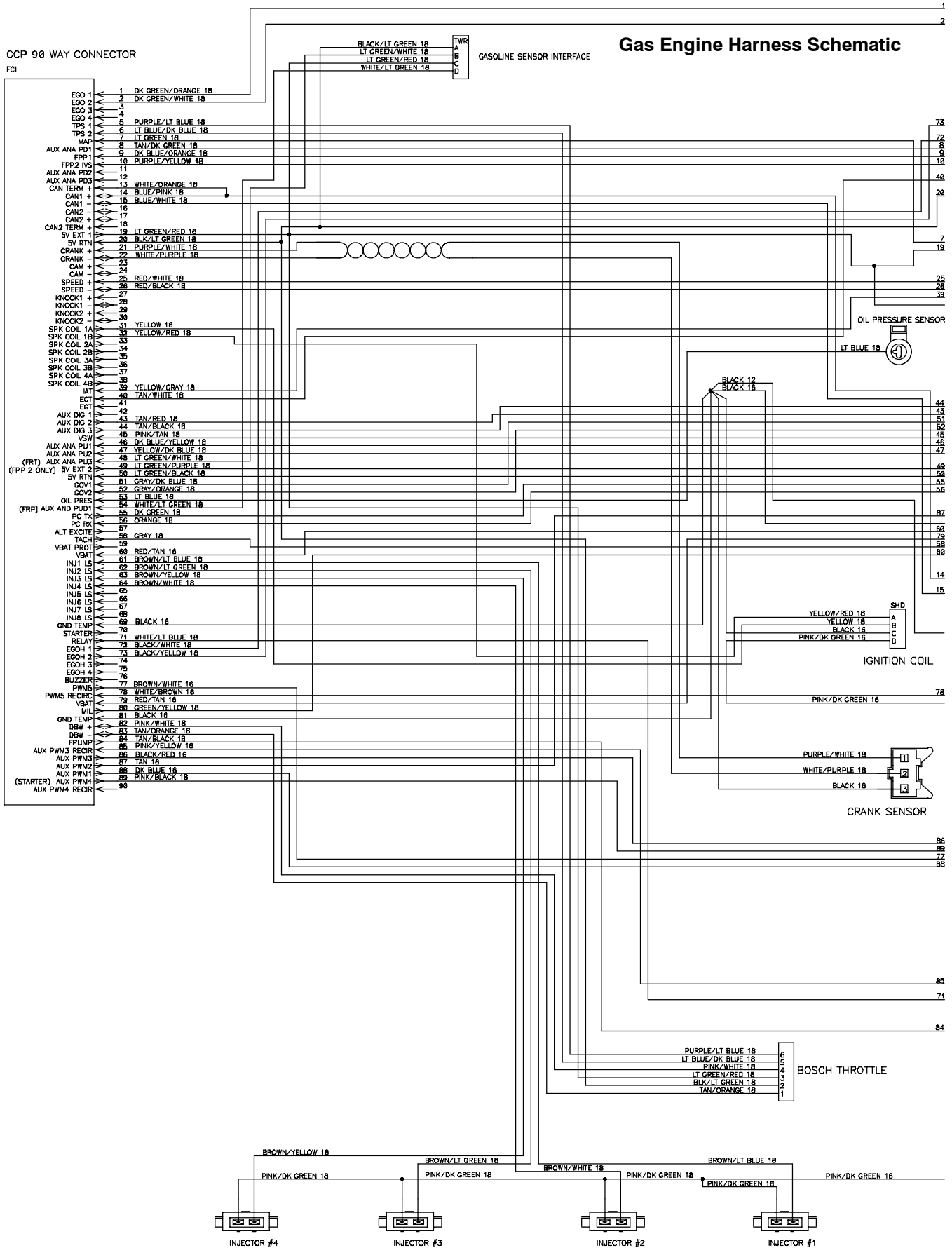


Fig. 75 - Electrical Schematic (015000-)

Gas Engine Harness Schematic

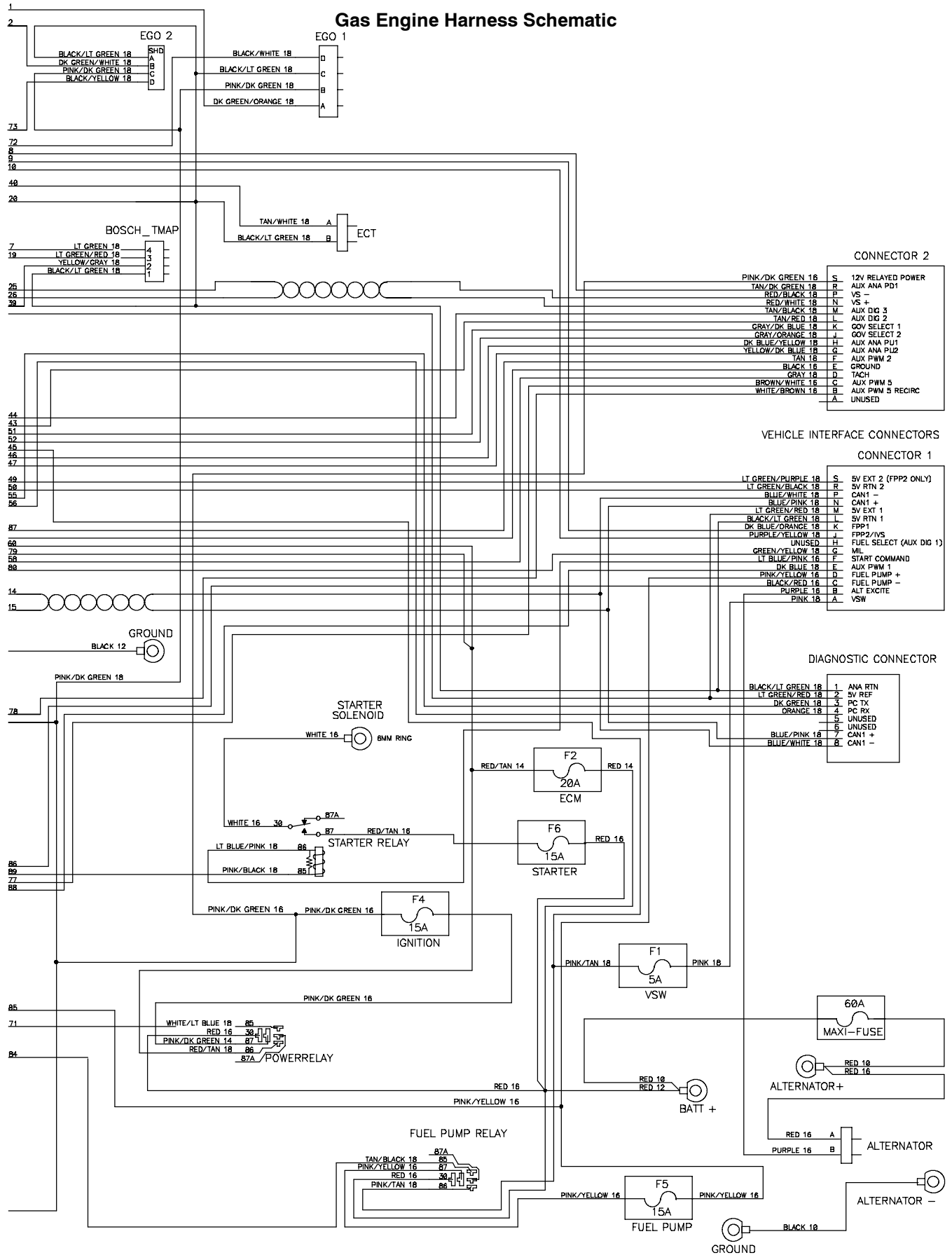


Fig. 75 - Electrical Schematic (015000-) LPG Engine Harness Schematic

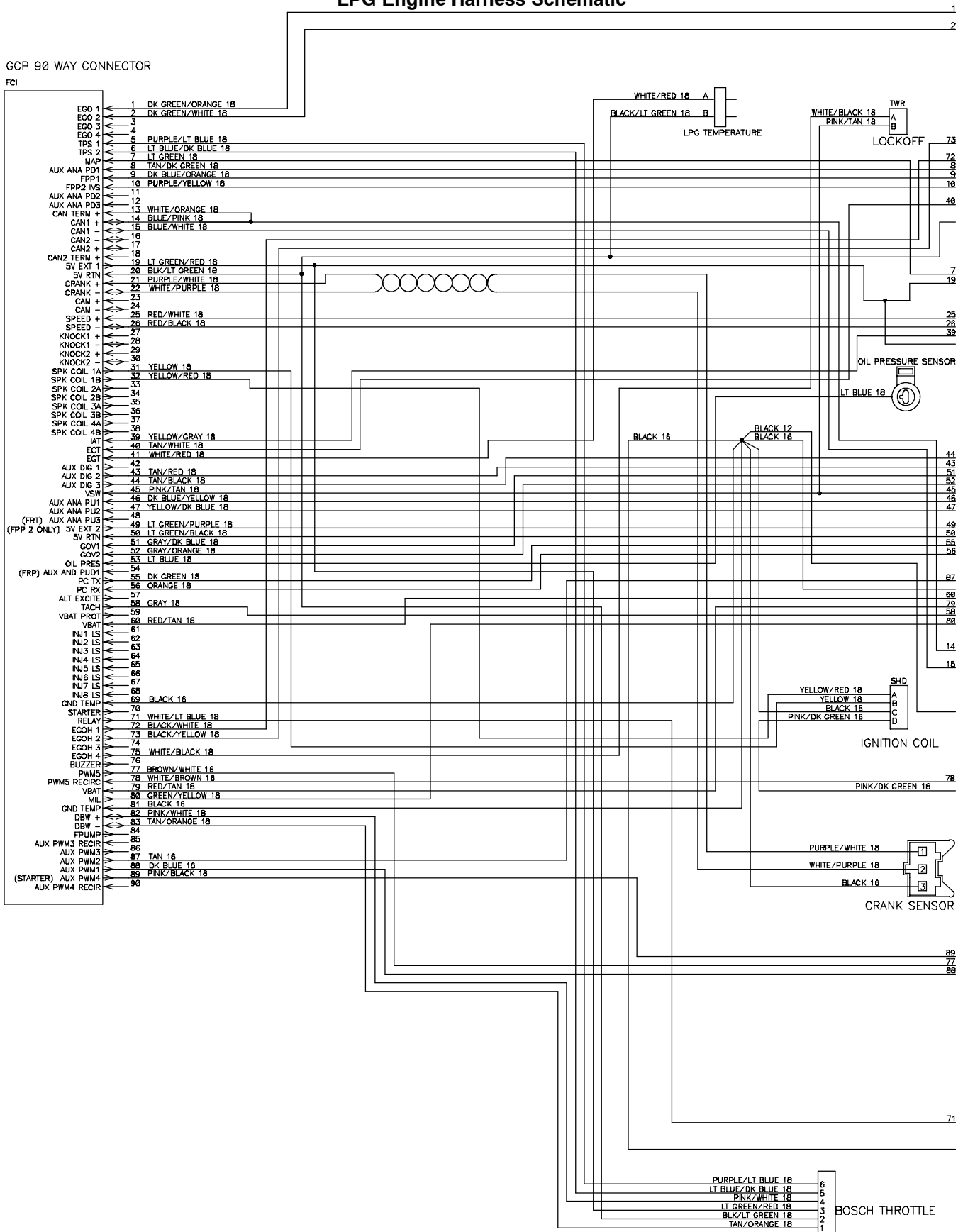


Fig. 75 - Electrical Schematic (015000-)

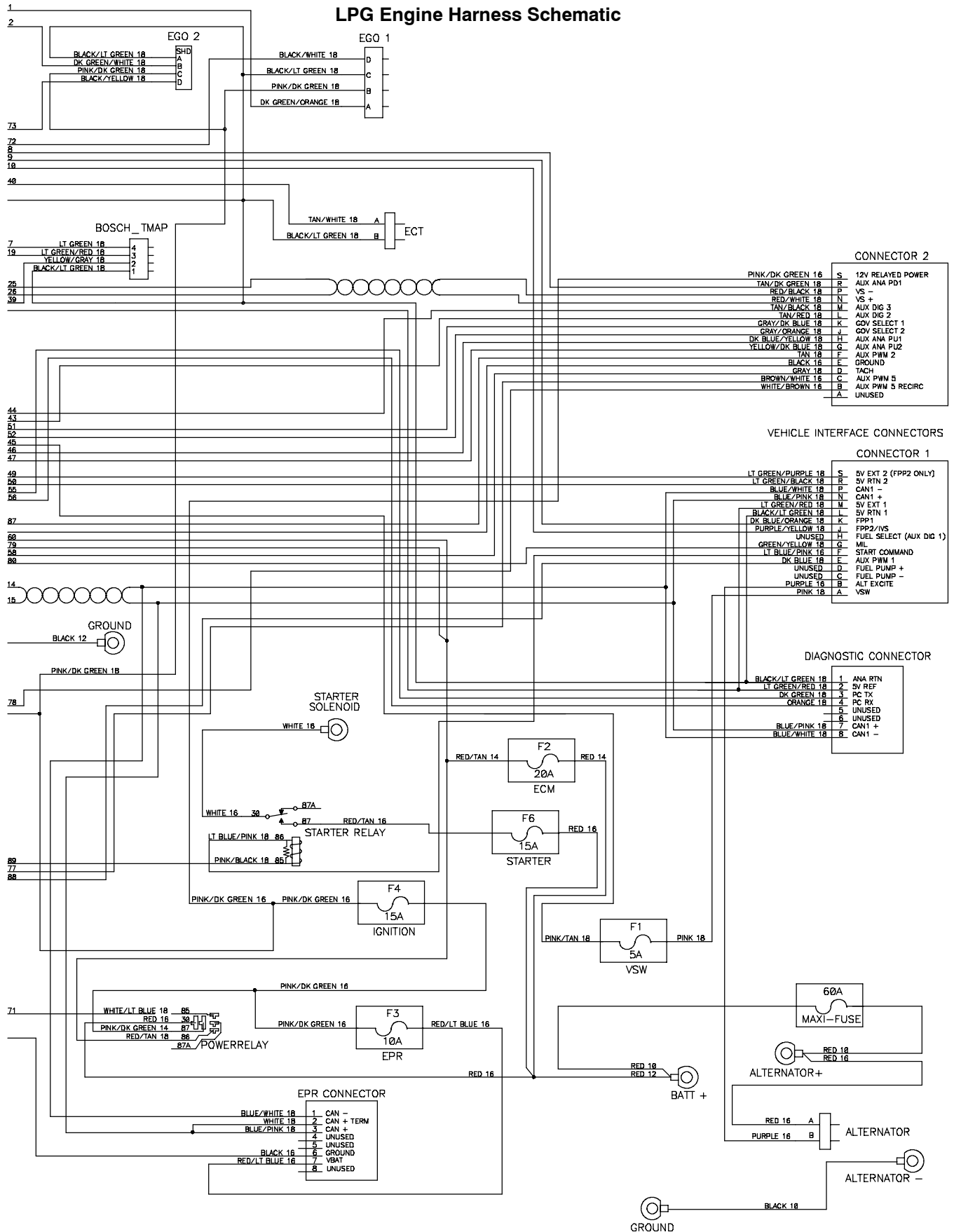


Fig. 75 - Electrical Schematic (015000-)

Engine Harness Adaptor Schematic

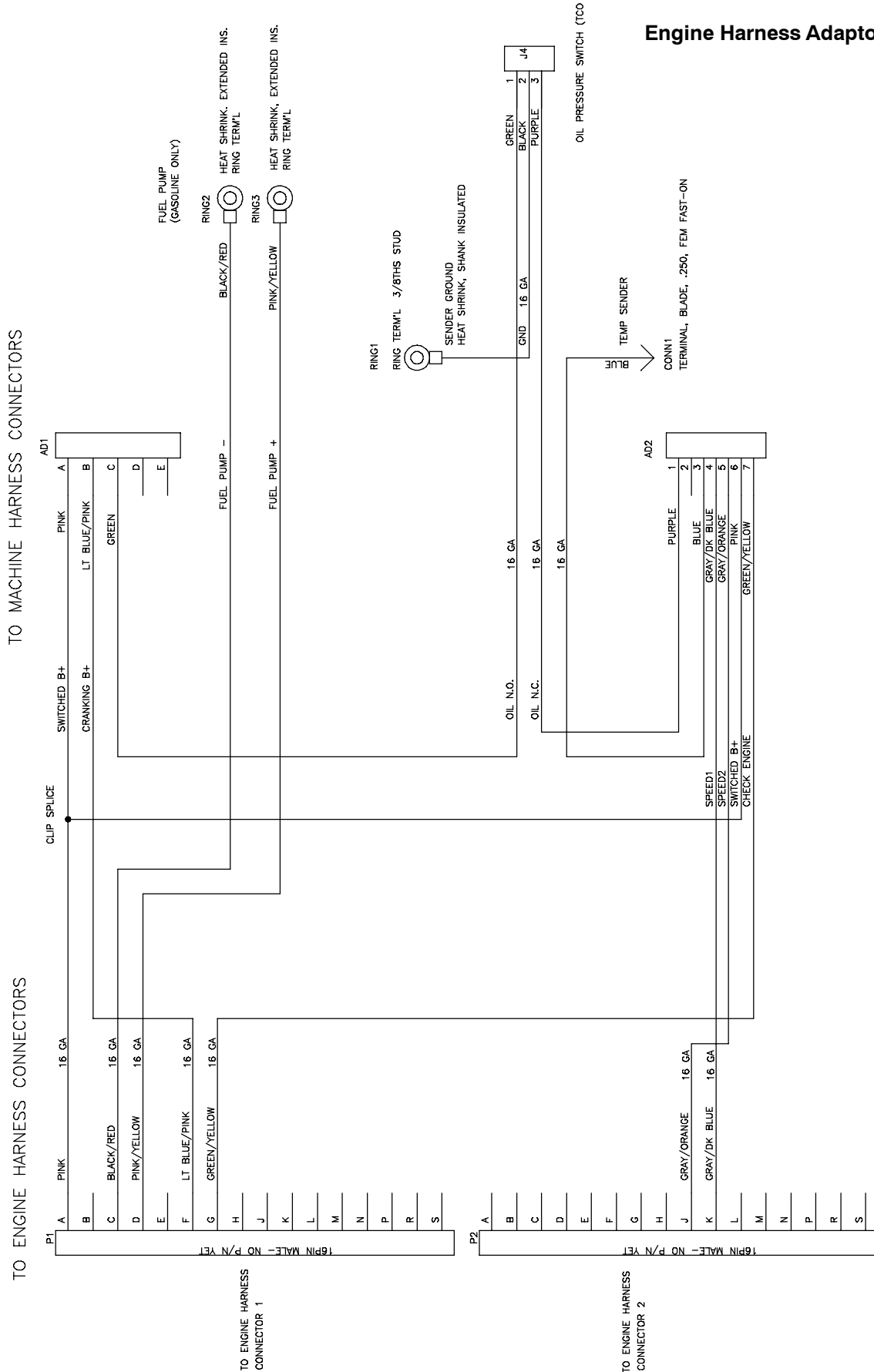


Fig. 76 - Electrical Wire Harness Group

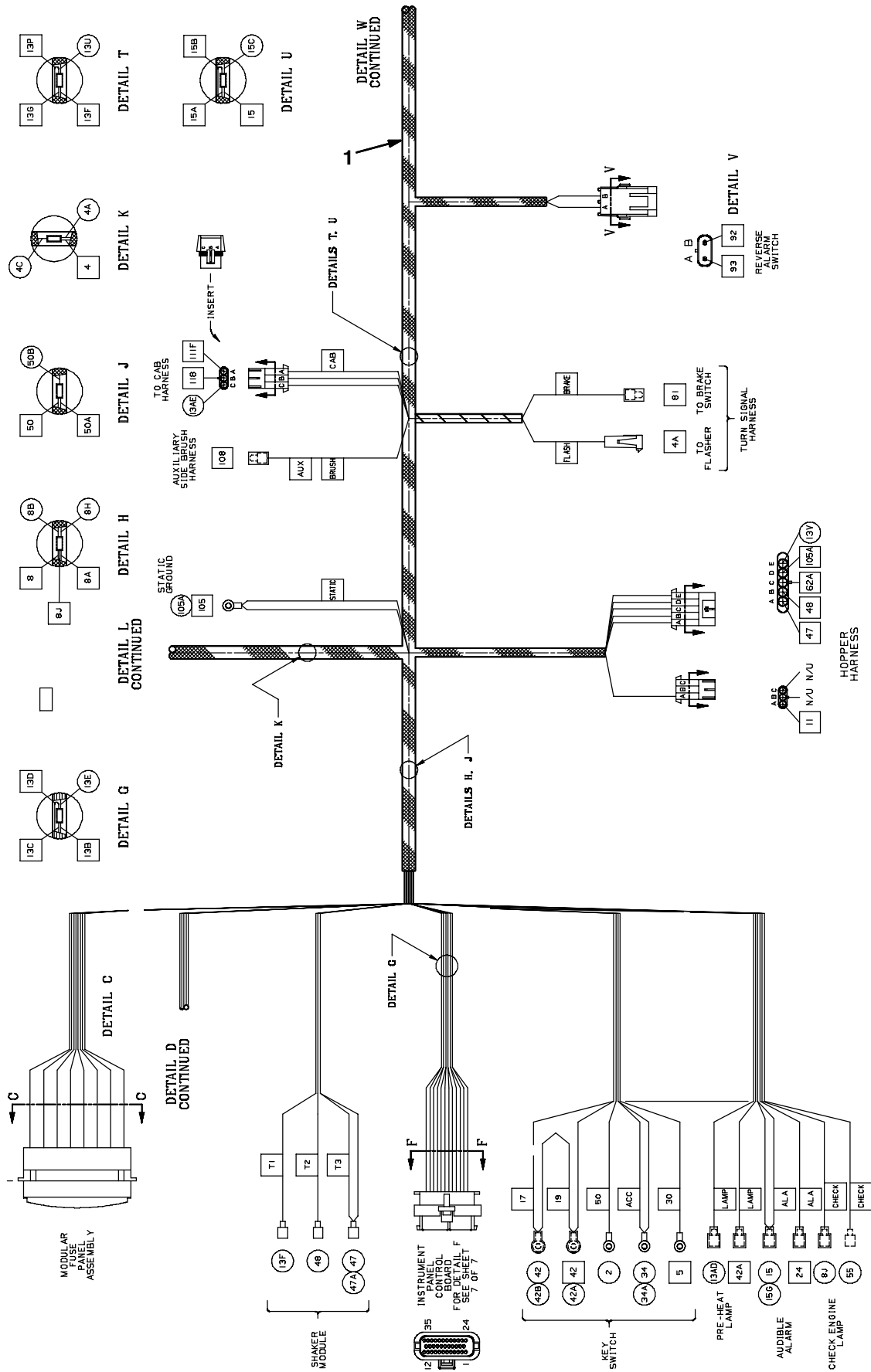


Fig. 76 - Electrical Wire Harness Group

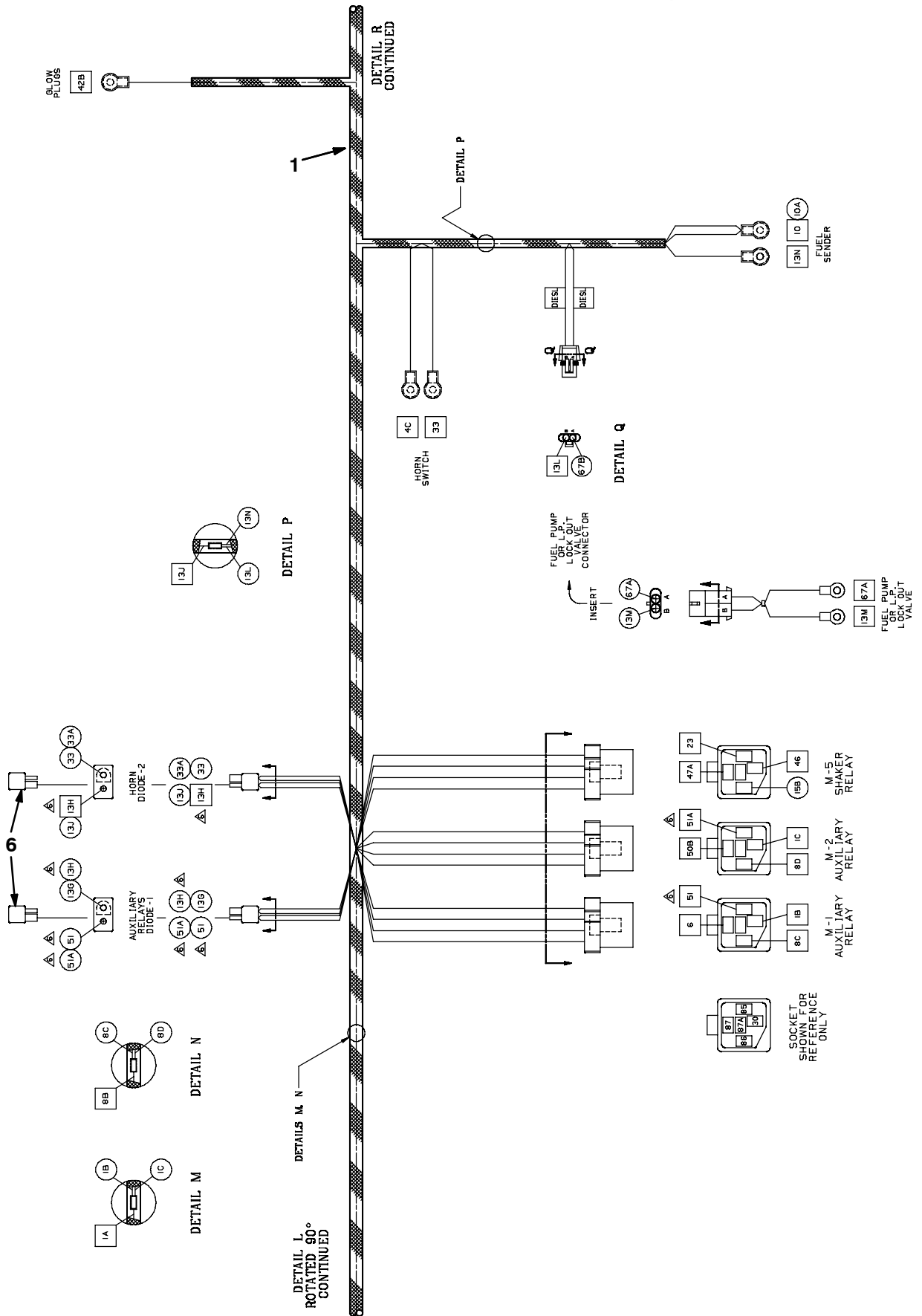


Fig. 76 - Electrical Wire Harness Group

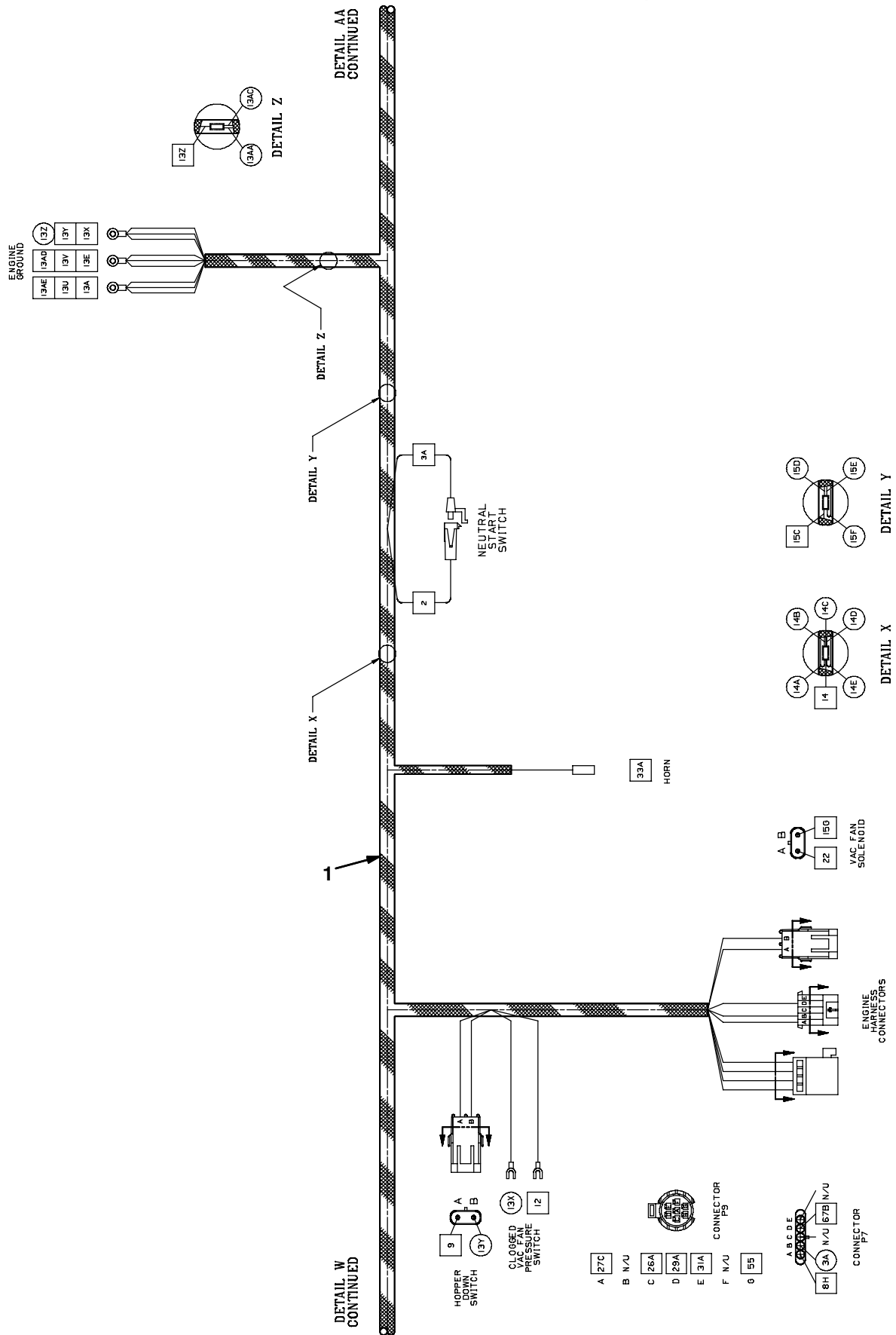


Fig. 76 - Electrical Wire Harness Group

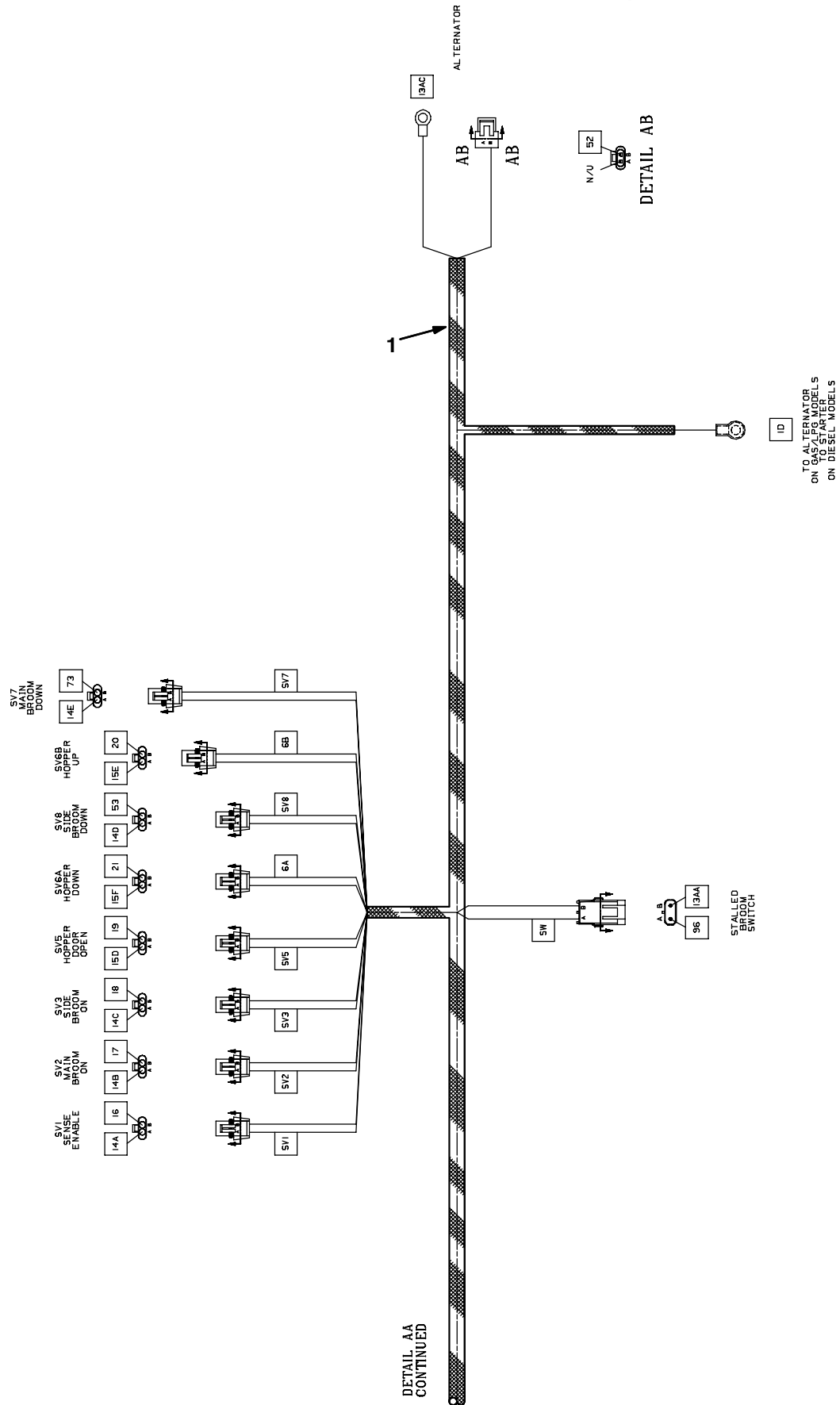


Fig. 76 - Electrical Wire Harness Group

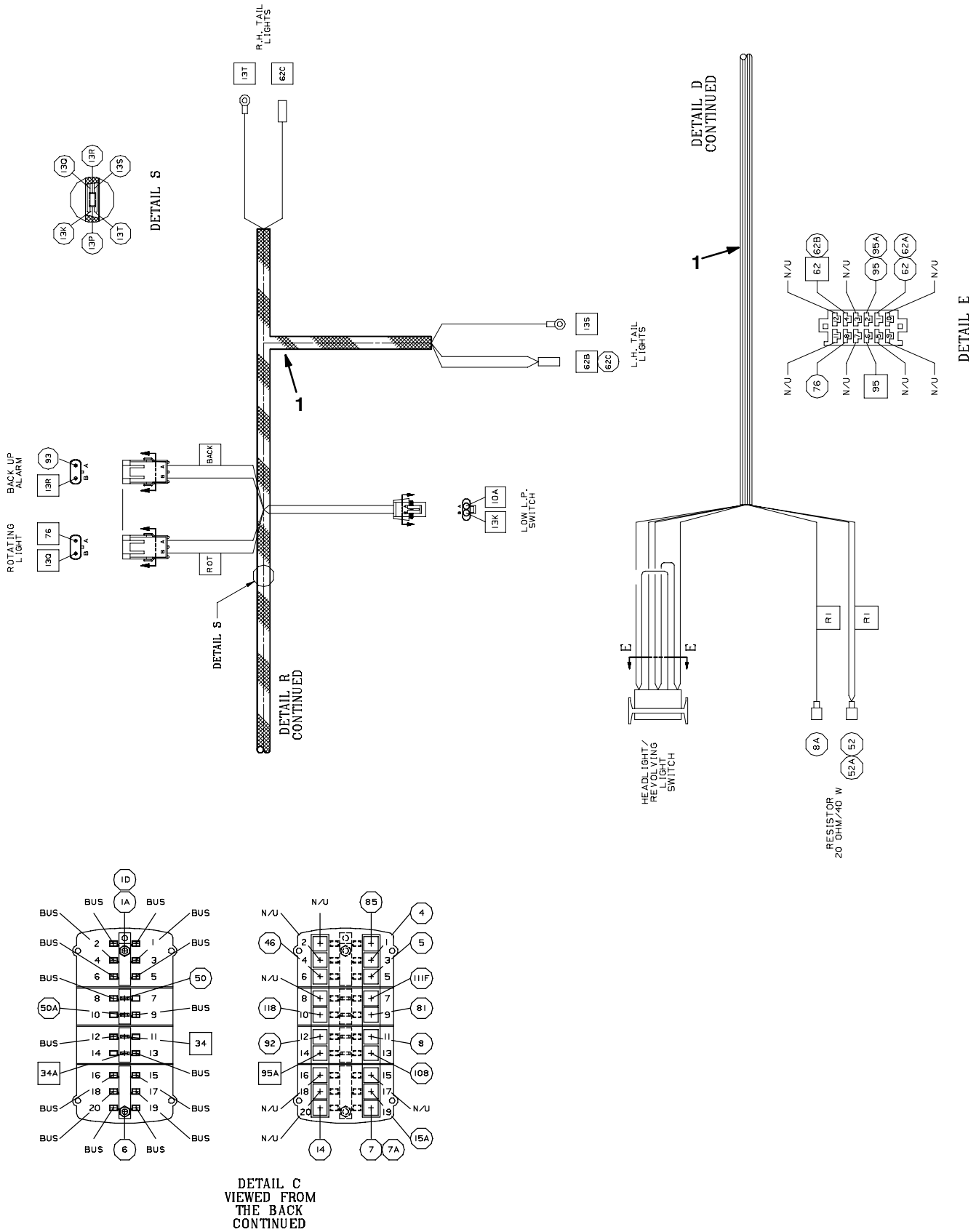


Fig. 76 - Electrical Wire Harness Group

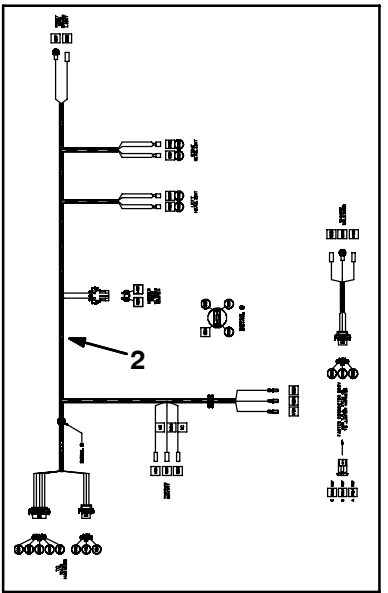
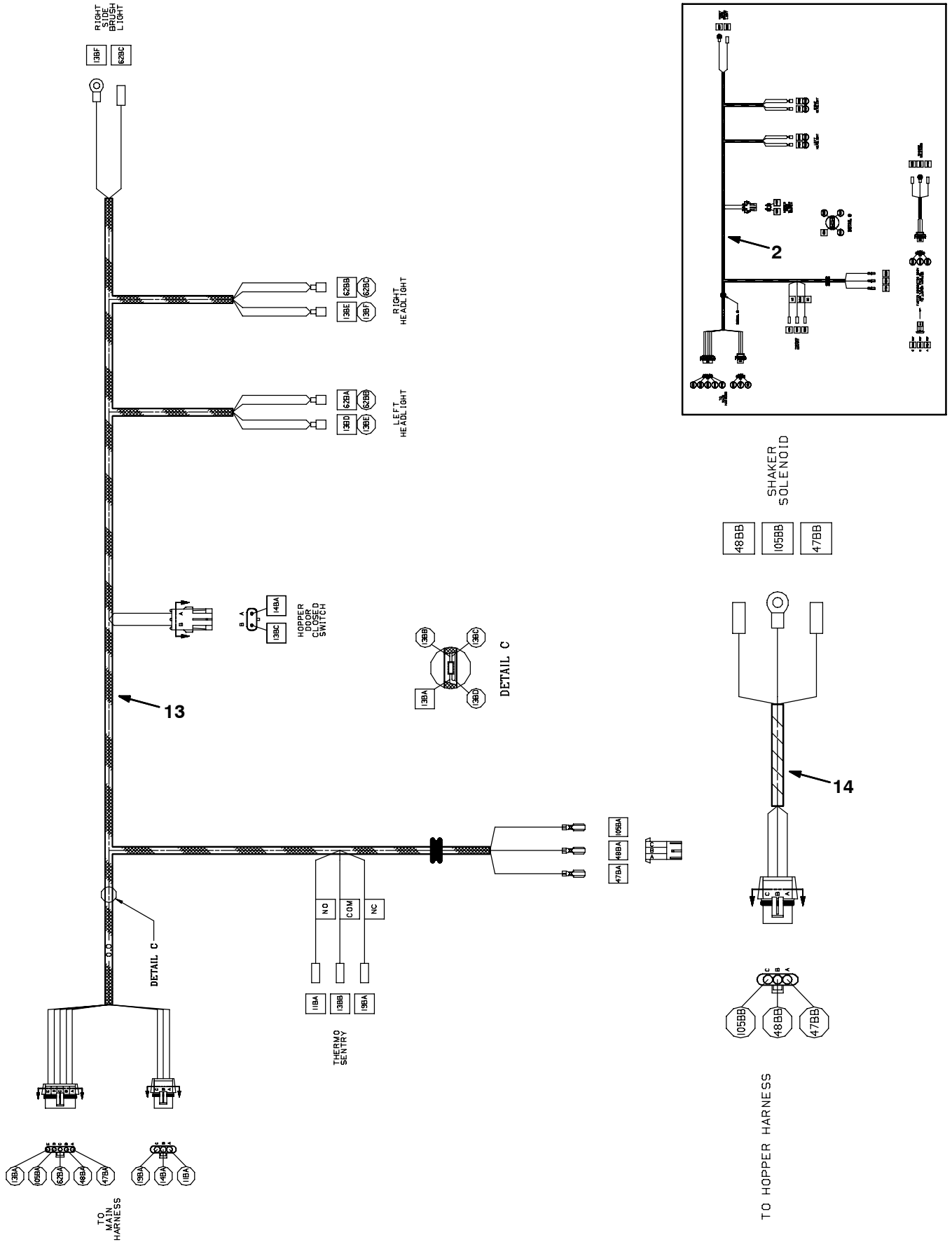


Fig. 76 - Electrical Wire Harnesses Group

ENGINE COMPONENTS

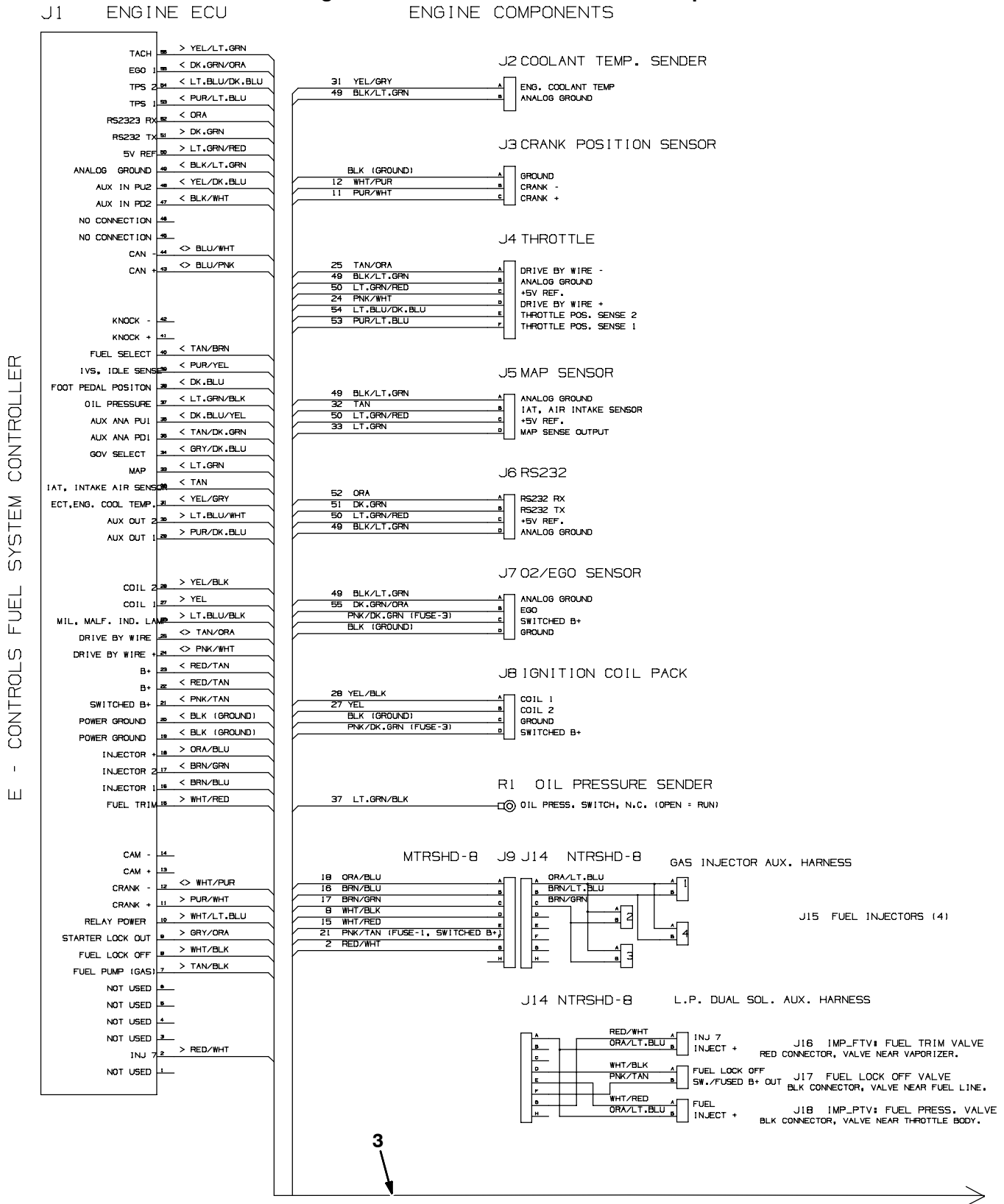


Fig. 76 - Electrical Wire Harness Group

CONNECTIONS TO MACHINE

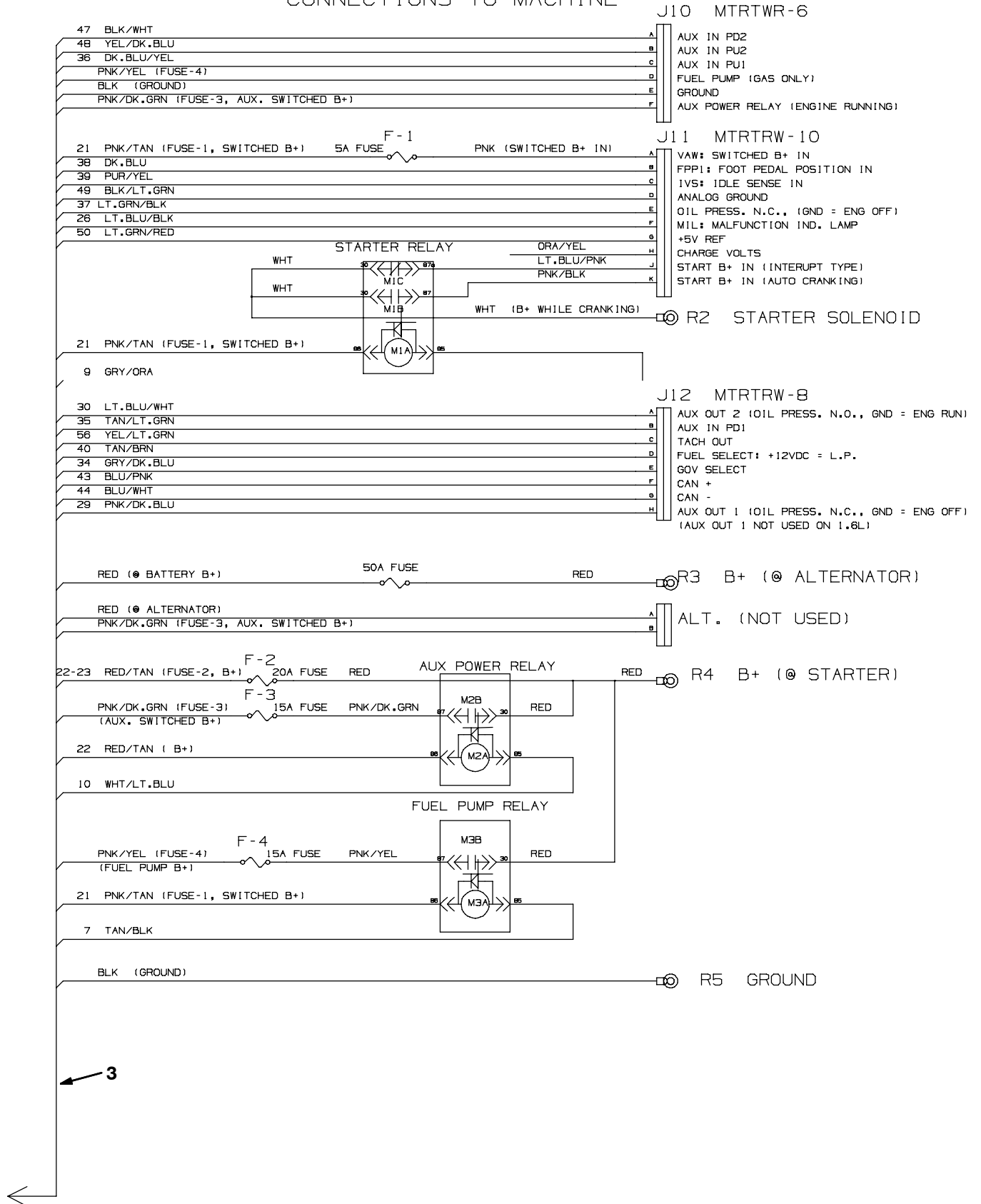
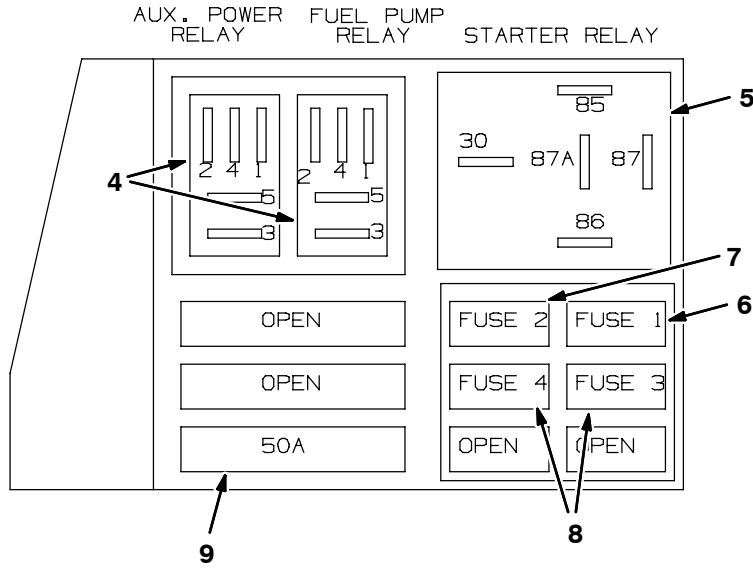
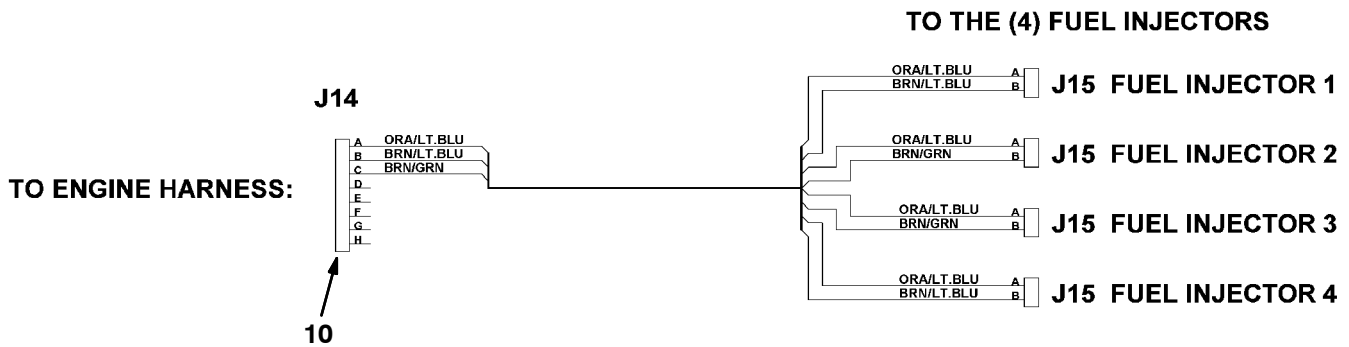


Fig. 76 - Electrical Wire Harnesses Group



GAS INJECTOR AUX. HARNESS



L.P. DUAL SOL. AUX. HARNESS

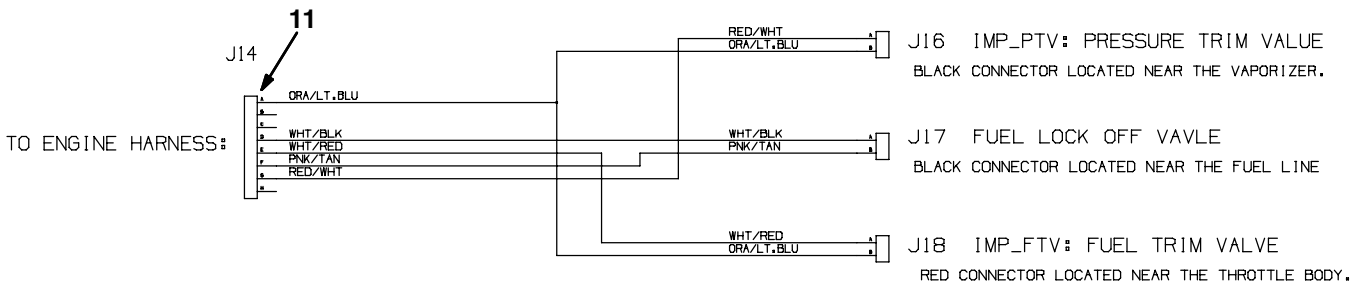


Fig. 76 - Electrical Wire Harnesses Group

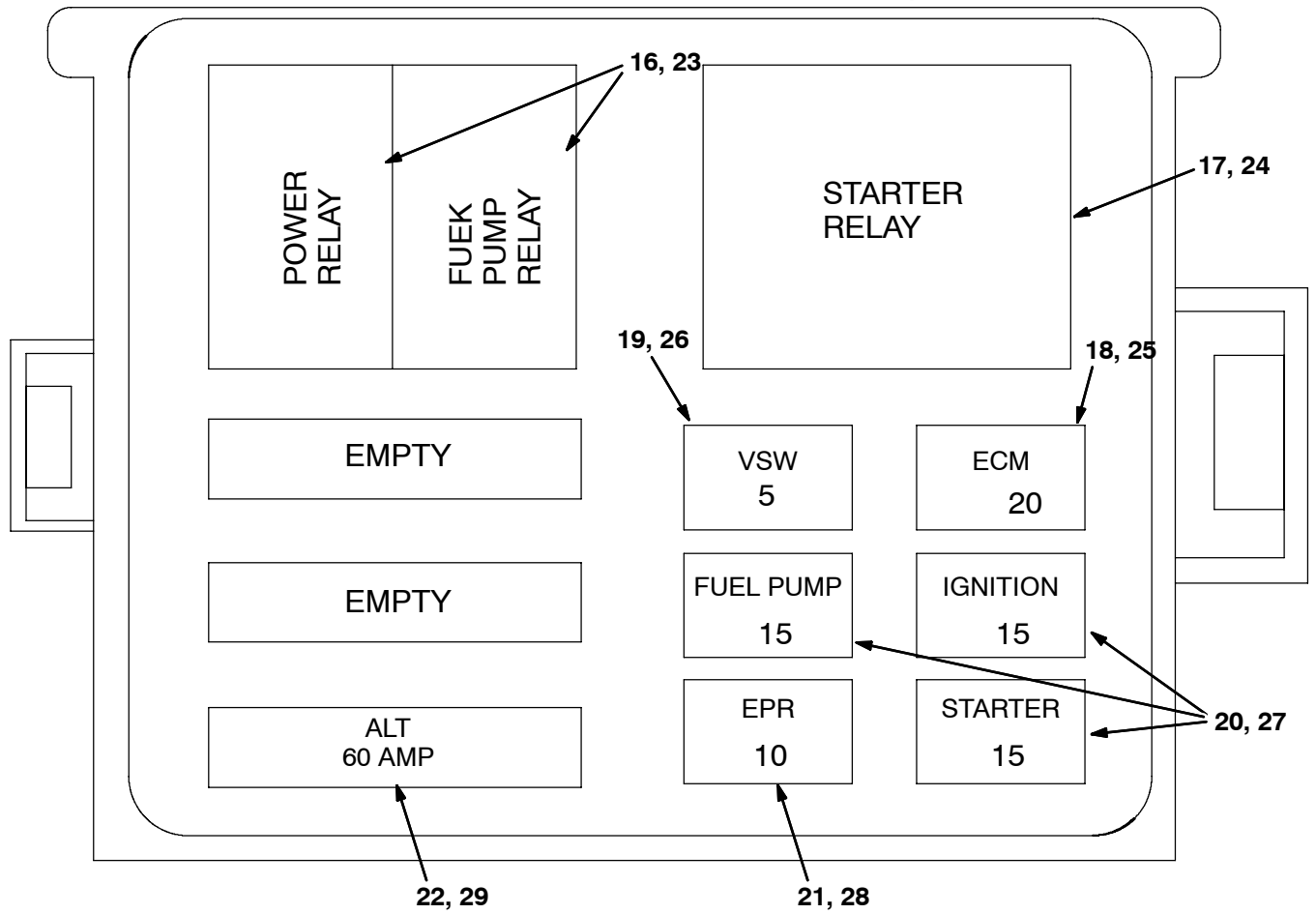


Fig. 76 - Electrical Wire Harness Group

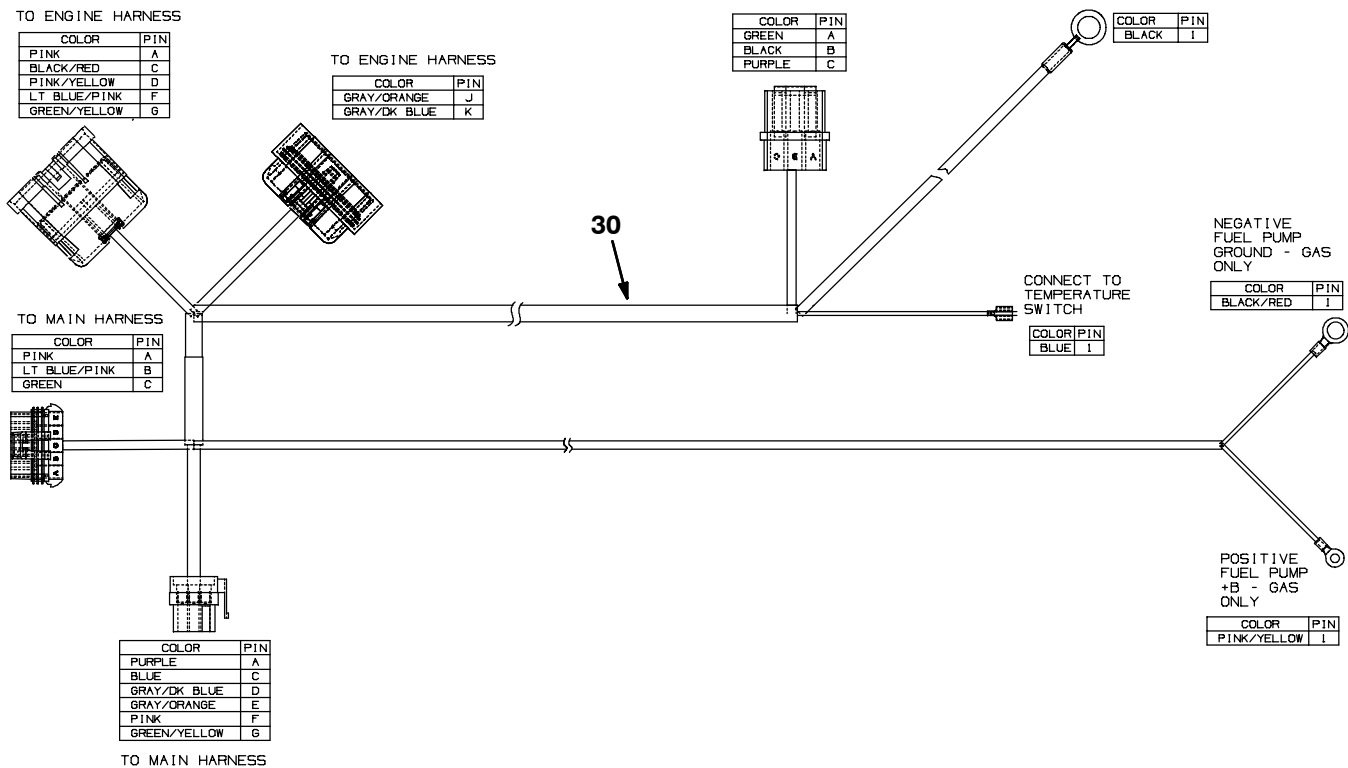
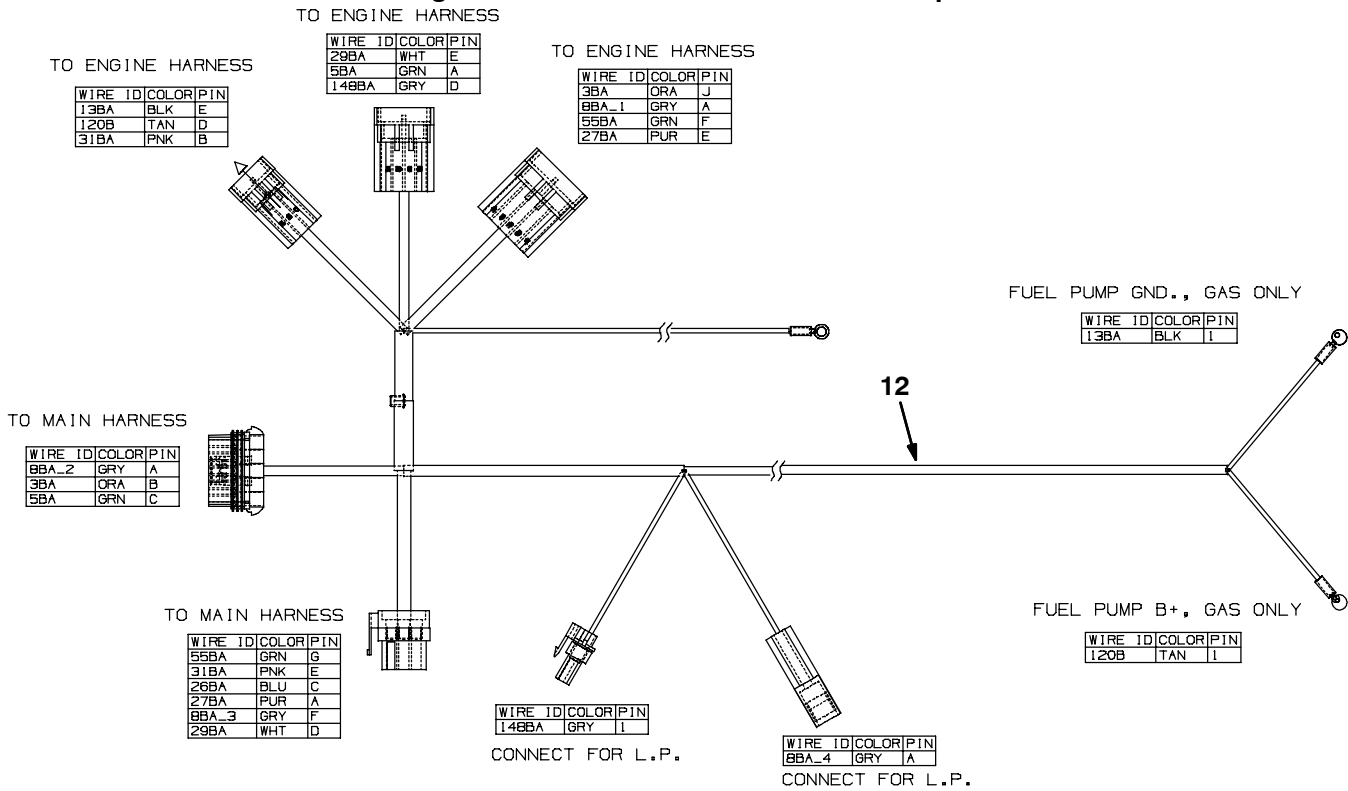
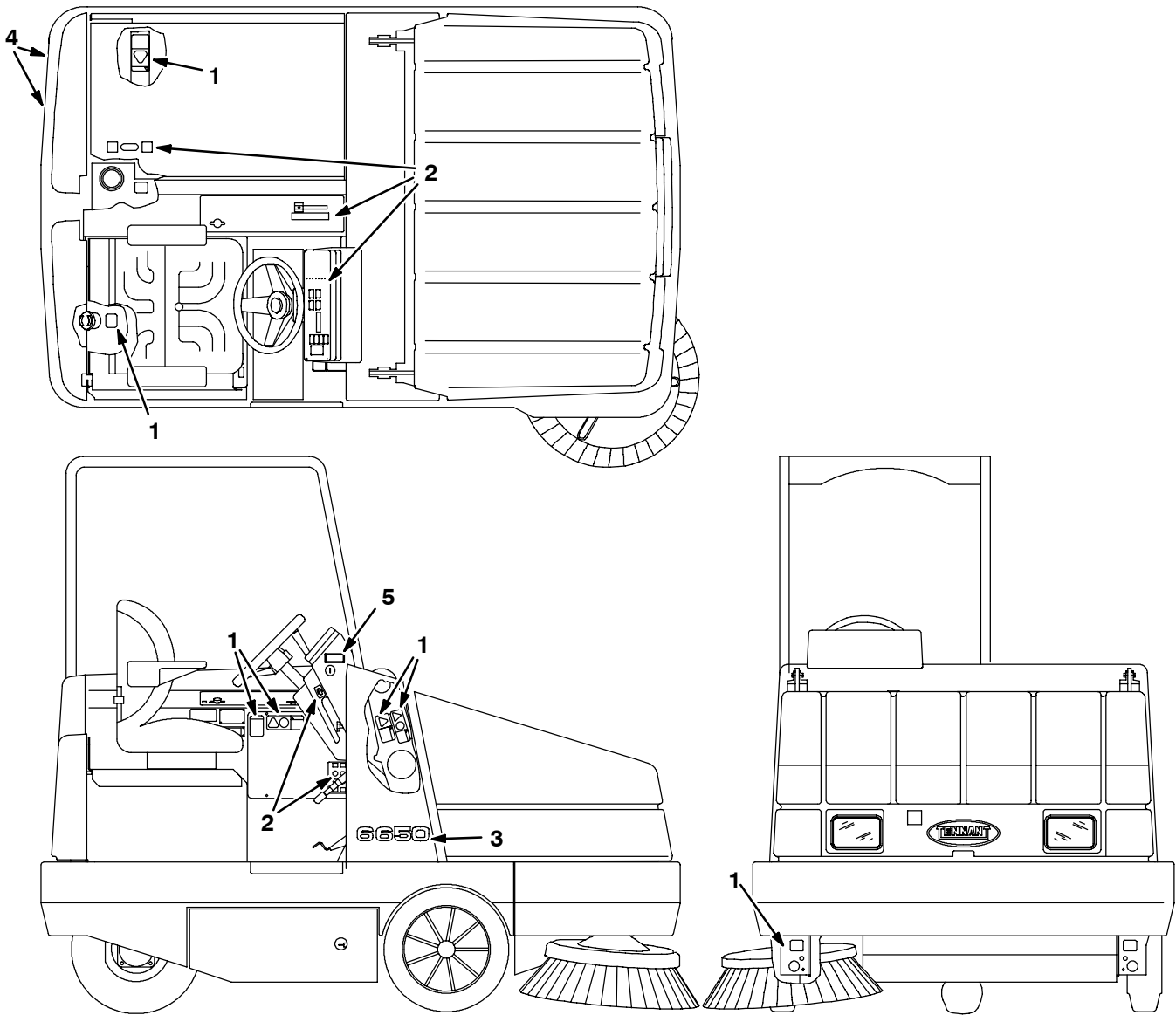


Fig. 76 - Electrical Wire Harnesses Group

Ref.	Part No.	Serial Number	Description	Qty.
	1	377063	(000000-) Harness, Main [6650]	1
	2	377046	(000000-010665) Harness, Hppr [6600/6650]	1
		371859	(000000-009999) Harness, Eng, Gas / Lpg [6600/6650]	1
▽	3	1011018	(010000-014999) Harness, Eng [1.6l, Gm, E-cntrl]	1
▲	4	394916	(010000-014999) Relay, 12vdc, 20a, Spdt	2
▲	5	57804	(010000-014999) Relay, 12vdc, 40a, Spdt	1
▲	6	372235	(010000-014999) Fuse, 5 Amp, [Min-5]	1
▲	7	372237	(010000-014999) Fuse, 20 Amp, [Min-20]	1
▲	8	372236	(010000-014999) Fuse, 15 Amp, [Min-15]	2
▲	9	394921	(010000-014999) Fuse, 50amp	1
	10	1011019	(010000-014999) Harness, Injector, Gas [1.6l,Gm,E-cntrl]	1
	11	1011020	(010000-014999) Harness, Injector, Lpg [1.6l,Gm,E-cntrl]	1
	12	1012655	(010000-014999) Harness, Adaptor [6600/6650]	1
	13	391955	(010666-) Harness, Hppr [6600/6650]	1
	14	391956	(010666-) Harness, Solenoid, Shagr [6600/6650]	1
	15	222290	(010000-) Diode, Ele, Plug	2
▽		384997	(015000-) Harness, Wire, Eng, Gas [Gm 1.6l]	1
▲	16	394916	(015000-) Relay, 12vdc, 20a, Spdt	2
▲	17	57804	(015000-) Relay, 12vdc, 40a, Spdt	1
▲	18	372237	(015000-) Fuse, 20 Amp, [Min-20]	1
▲	19	372235	(015000-) Fuse, 5 Amp, [Min-5]	1
▲	20	372236	(015000-) Fuse, 15 Amp, [Min-15]	3
▲	21	384999	(015000-) Fuse, 10 Amp	1
▲	22	384998	(015000-) Fuse, 60 Amp	1
▽		384990	(015000-) Harness, Wire, Eng, Lpg [Gm 1.6l]	1
▲	23	394916	(015000-) Relay, 12vdc, 20a, Spdt	2
▲	24	57804	(015000-) Relay, 12vdc, 40a, Spdt	1
▲	25	372237	(015000-) Fuse, 20 Amp, [Min-20]	1
▲	26	372235	(015000-) Fuse, 5 Amp, [Min-5]	1
▲	27	372236	(015000-) Fuse, 15 Amp, [Min-15]	3
▲	28	384999	(015000-) Fuse, 10 Amp	1
▲	29	384998	(015000-) Fuse, 60 Amp	1
	30	1032215	(015000-) Harness, Adapter	1

Fig. 77 - Label Group



351767 - 6500, NA

Ref.	Part No.	Serial Number	Description	Qty.
1	59767	(000000-) Label Set, Info/Hzrd, [Multi-Machines]	1
2	377168	(000000-) Label Set, Opertnl [6650]	1
3	377186	(000000-) Label, Numerals [6650xp]	1
3	377169	(000000-) Label, Numerals [6650xs]	2
4	1017141	(010000-) Label Set, Hi Temp	1
5	1020434	(010000-) Label, Caution [Apply Parking Brake]	1

SECTION 3

Contents	Page
Fig. 1 - Signal Light Kit	3-2
Fig. 2 - Flashing Light Kit, Overhead Guard .	3-4
Fig. 3 - Revolving Light Kit, Overhead Guard	3-6
Fig. 4 - Flashing Light Kit, LRC	3-8
Fig. 5 - Revolving Light Kit, LRC	3-10
Fig. 6 - Flashing Light Kit, Cab	3-12
Fig. 7 - Revolving Light Kit, Cab	3-14
Fig. 8 - Flashing Light Kit, Flush Mounting .	3-16
Fig. 9 - Revolving Light Kit, Flush Mounting	3-18
Fig. 10 - Back-Up Alarm Kit, LRC	3-20
Fig. 11 - Back-Up Alarm Kit, Cab	3-22
Fig. 12 - Overhead Guard Kit	3-24
Fig. 13 - Cab Insulation Group	3-26
Fig. 14 - Cab Frame and Windows Group .	3-28
Fig. 15 - Cab Door Group	3-30
Fig. 16 - Cab Electrical and Wiper Group . .	3-32
Fig. 17 - Cab Dust Kit	3-34
Fig. 18 - Cab Vent and Duct Group	3-36
Fig. 19 - Heater and Pressurizer Group (000000-009999)	3-38
Fig. 20 - Heater and Pressurizer Group (010000-)	3-40
Fig. 21 - Air Conditioning and Heater Group (000000-009999)	3-42
Fig. 22 - Air Conditioning and Heater Group (010000-)	3-44
Fig. 23 - Air Conditioning Engine Cover Group	3-46
Fig. 24 - Air Conditioning Compressor Group (000000-009999)	3-48
Fig. 25 - Air Conditioning Compressor Group (010000-)	3-50
Fig. 26 - Air Conditioning and Heater Electrical Group	3-52
Fig. 27 - Air Conditioning and Heater Wire Harness Group	3-53
Fig. 28 - Blower Wand Group	3-54
Fig. 29 - Blower Wand Group, Overhead Guard	3-56
Fig. 30 - Blower Wand Engine Cover Group	3-58
Fig. 31 - Vacuum Wand Kit	3-60
Fig. 32 - Vacuum Wand Kit, With Cab	3-62
Fig. 33 - Left Side Brush Drive Motor and Pivot Group (6650 XP)	3-64
Fig. 34 - Left Side Brush Lift Group (6650 XP)	3-66

Contents	Page
Fig. 35 - Auxiliary Side Brush Motor Group	3-68
Fig. 36 - Auxiliary Side Brush Pivot Group .	3-70
Fig. 37 - Auxiliary Side Brush Hopper Deflector Group	3-72
Fig. 38 - Auxiliary Side Brush Wire Harnesses Group	3-73
Fig. 39 - Auxiliary Side Brush Hopper Bumper Group (6650XP Only) . .	3-74
Fig. 40 - Side Brush Dust Control Kit	3-76
Fig. 41 - Fire Extinguisher Kit	3-78
Fig. 42 - Soft Ride Non Marking Rear Tire And Wheel Assembly	3-80
Fig. 43 - Soft Ride Rear Tire And Wheel Assembly	3-81
Fig. 44 - Hi-Wear Rear Tire And Wheel Assembly	3-82
Fig. 45 - Foam Filled Rear Tire Assembly .	3-83
Fig. 46 - Solid Non Marking Turf Front Tire And Wheel Assembly	3-84
Fig. 47 - Solid Turf Tire And Wheel Assembly	3-85
Fig. 48 - Solid Non Marking Tire And Wheel Assembly	3-86
Fig. 49 - Non-Catalytic Muffler Group (010000-014999)	3-87
Fig. 50 - Transport Kit	3-88
Fig. 51 - Documentation Group	3-89

Fig. 1 - Signal Light Kit

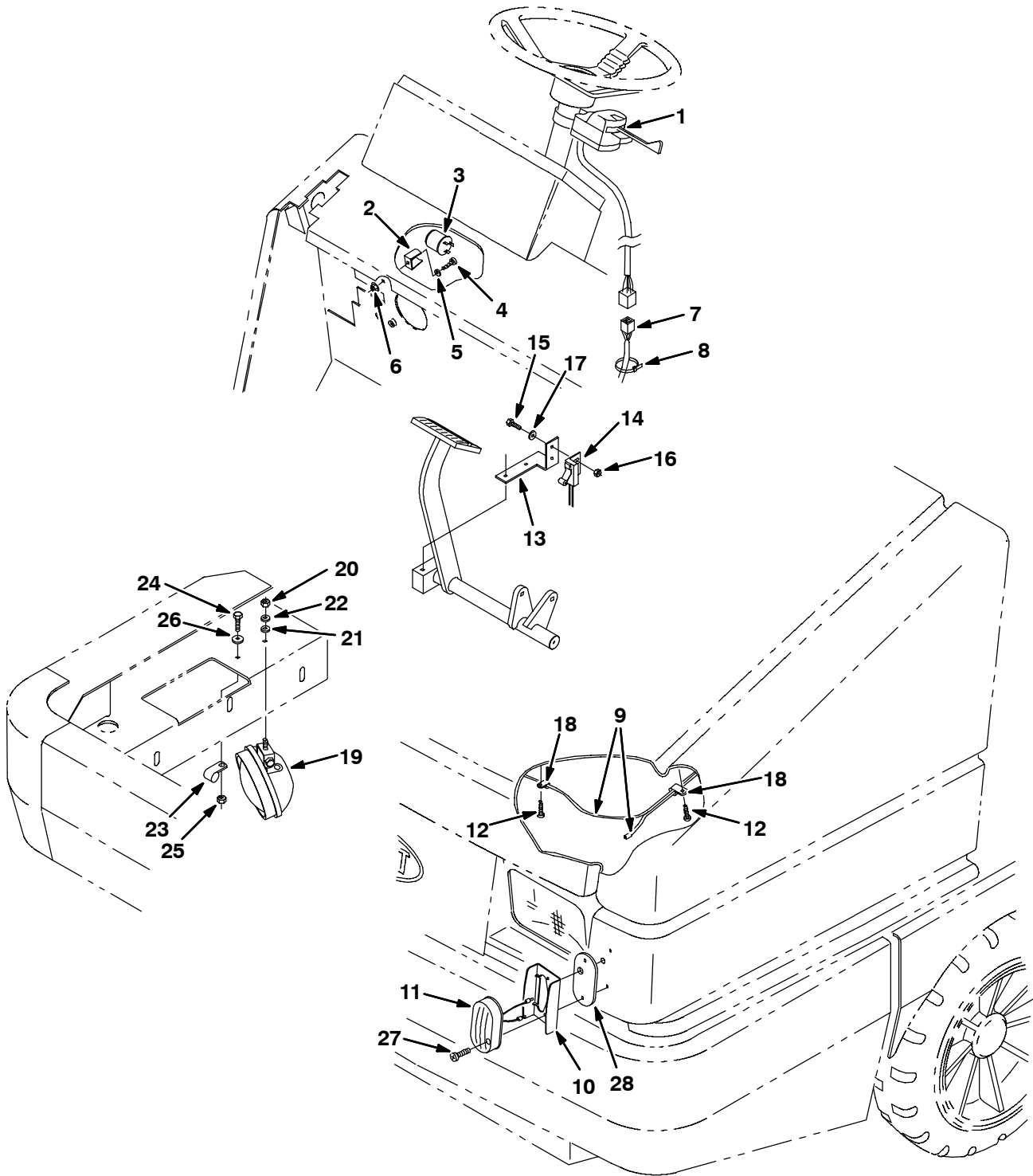


Fig. 1 - Signal Light Kit

Ref.	Part No.	Serial Number	Description	Qty.
▽	377280	(000000-) Kit, Ci, Turn Signal [6650Xs]	1
▲▽	1 60751	(000000-) Switch, Turn Signal, 12vdc Rwk 60750	1
▲▲	48570	(000000-) Lamp, 12vdc, Turn Signal	1
▲	2 24576-1	(000000-) Bracket, Mtg, Flasher	1
▲	3 31922	(000000-) Flasher, Hd, 12vdc 25a, [#10-57300]	1
▲	4 06932	(000000-) Screw, Pan, M 5 X 0.8 X 10, 4.8	1
▲	5 41139	(000000-) Washer, Lock, Int-Ext, #10	1
▲	6 07789	(000000-) Nut, Hex, Flng, M05 X 0.8	1
▲	7 60283	(000000-) Harness, Turn Signal, [355]	1
▲	8 49266	(000000-) Tie, Cable, Nyl, 07.3l .19w 1.8 Max D	12
▲	9 60284	(000000-) Harness, Turn Signal, [355L]	1
▲	10 72178	(000000-) Bracket, Light, Sbdc	2
▲▽	11 379855	(000000-) Light, Marker, 12Vdc, Yel, 4.0 X 2.0	2
▲▲	87948	(000000-) Lamp, 12vdc, . A Cp [#194]	1
▲	12 360943	(000000-) Screw, Pan, #10-14 X 0.75, F/Plstc	6
▲	13 59920	(000000-) Bracket, Switch	1
▲	14 59962	(000000-) Switch, Snap Actn, 12vdc 15a Nc Rlr	1
▲	15 09738	(000000-) Screw, Hex, M 5 X 0.8 X 12, Ss	2
▲	16 06549	(000000-) Nut, Hex, Lock, M 5 X 0.8, NI	2
▲	17 19066	(000000-) Washer, Flt, #10	2
▲	18 26395-2	(000000-) Clamp, Cable, Stl, 0.38d X 0.38w, 1h	6
▲▽	19 19827	(000000-) Light, Spot, 12vdc, 35watt Rwk 68305	1
▲▲	51570	(000000-) Headlight, 12vdc, 35watt 2.7a [#4411]	1
▲	20 41437	(000000-) Nut, Hex, Lock, .31-18, NI, Ss	1
▲	21 41141	(000000-) Washer, Lock, Int-Ext, .31	1
▲	22 32491	(000000-) Washer, Flat, 0.31 Std	1
▲	23 40678	(000000-) Clamp, Cable, Stl, 0.44d X 0.62w, 1h	1
▲	24 16735	(000000-) Screw, Hex, M 8 X 1.25 X 16, 8.8	1
▲	25 08709	(000000-) Nut, Hex, Lock, M 8 X 1.25 NI	1
▲	26 39349	(000000-) Washer, Flat, 0.31 Sae	1
▲	27 06939	(000000-) Screw, Pan, M5 X 0.8 X 45, 4.8	4
▲	28 382459	(000000-) Gasket	2

Fig. 2 - Flashing Light Kit, Overhead Guard

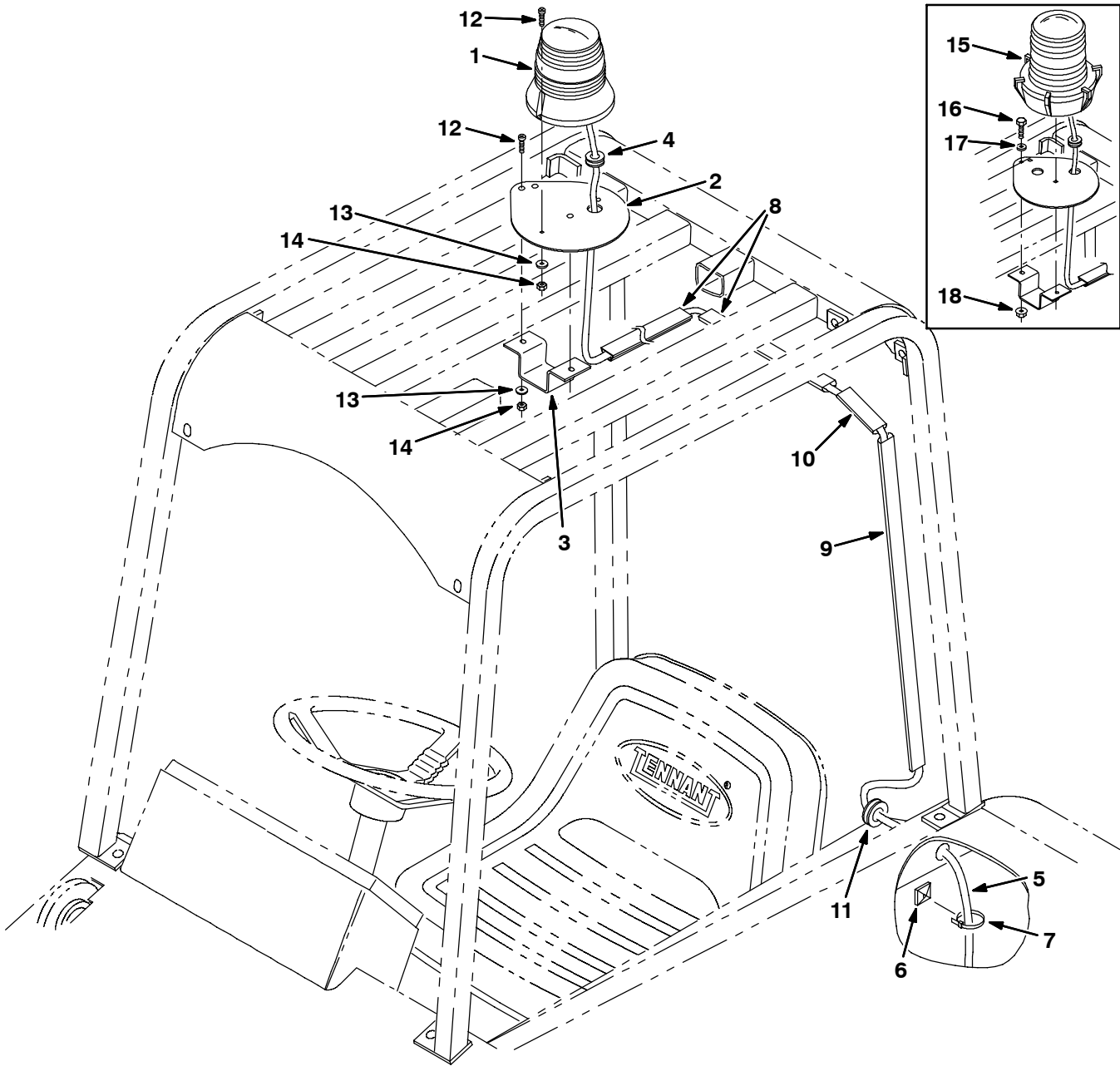


Fig. 2 - Flashing Light Kit, Overhead Guard

Ref.	Part No.	Serial Number	Description	Qty.
▽	377273	(000000-) Kit, Ci, Light, Flsh, Ohg	1
▲▽	1 1017248	(010239-) Lamp, Flasher, Amb [12-48 Vdc]	1
▲▲	9000879	(010239-) Lens, Lamp, Amb, Strobe/Flasher	1
▲▲	9000845	(010239-) Lamp, Bulb, Lamp, Flsh	1
▲▲	1027798	(010239-) Lens, Red, F/ Revl / Flasher	1
▲▲	1027800	(010239-) Lens, Blu, F/ Revl / Flasher	1
▲	29192	(010239-) Terminal, Ring, .25stud 16-14ga, Ins	1
▲	55272	(010239-) Terminal, Bullet, Mal, .157d, 12ga	1
▲	2 57220	(000000-) Plate	1
▲	3 59447	(000000-) Bracket, Mtg, Light, Ohg	1
▲	4 10632-9	(000000-) Grommet, Rbr, 0.63id, F/ 0.8h, .12matl	1
▲	5 60288	(000000-) Harness, Light, Revl, Ohg, [355l]	1
▲	6 55248	(000000-) Mount, Cable Tie	5
▲	7 49266	(000000-) Tie, Cable, Nyl, 07.3l .19w 1.8 Max D	8
▲	8 86330	(000000-) Duct, Vyl, 0.40 X 0.75 .25d 10.0l	2
▲	9 86332	(000000-) Duct, Vyl, 0.40 X 0.75 .25d 26.0l	1
▲	10 86333	(000000-) Duct, Vyl, 0.40 X 0.75 .25d 03.5l	1
▲	11 10632-18	(000000-) Grommet, Rbr, 0.69id, F/ 0.1h, .25matl	1
▲	12 06934	(010239-) Screw, Pan, M5 X 0.8 X 20, 4.8	4
▲	13 19066	(010239-) Washer, Flat, #10	4
▲	14 06549	(010239-) Nut, Hex, Lock, M5 X 0.8, NI	4
▽	15 82063	(000000-010238) Light, Flsh, 12vdc, Amb, Rwk 82198	1
▲	58520	(000000-010238) Lens, Amber, Light, Flsh, [Fr207]	1
▲	45779	(000000-010238) Lamp, 12vdc, 2.1a Watt 32c [#1156]	1
	16 06942	(000000-010238) Screw, Hex, M 6 X 1.0 X 16, 8.8	1
	17 07790	(000000-010238) Nut, Hex, Flng, M06 X 1.0	1
	18 32483	(000000-010238) Washer, Flat, 0.25 Sae	1
	58518	(000000-010238) Lens, Red, Light, Flsh, [Fr207]	1
	58519	(000000-010238) Lens, Blue, Light, Flsh, [Fr207]	1

Fig. 3 - Revolving Light Kit, Overhead Guard

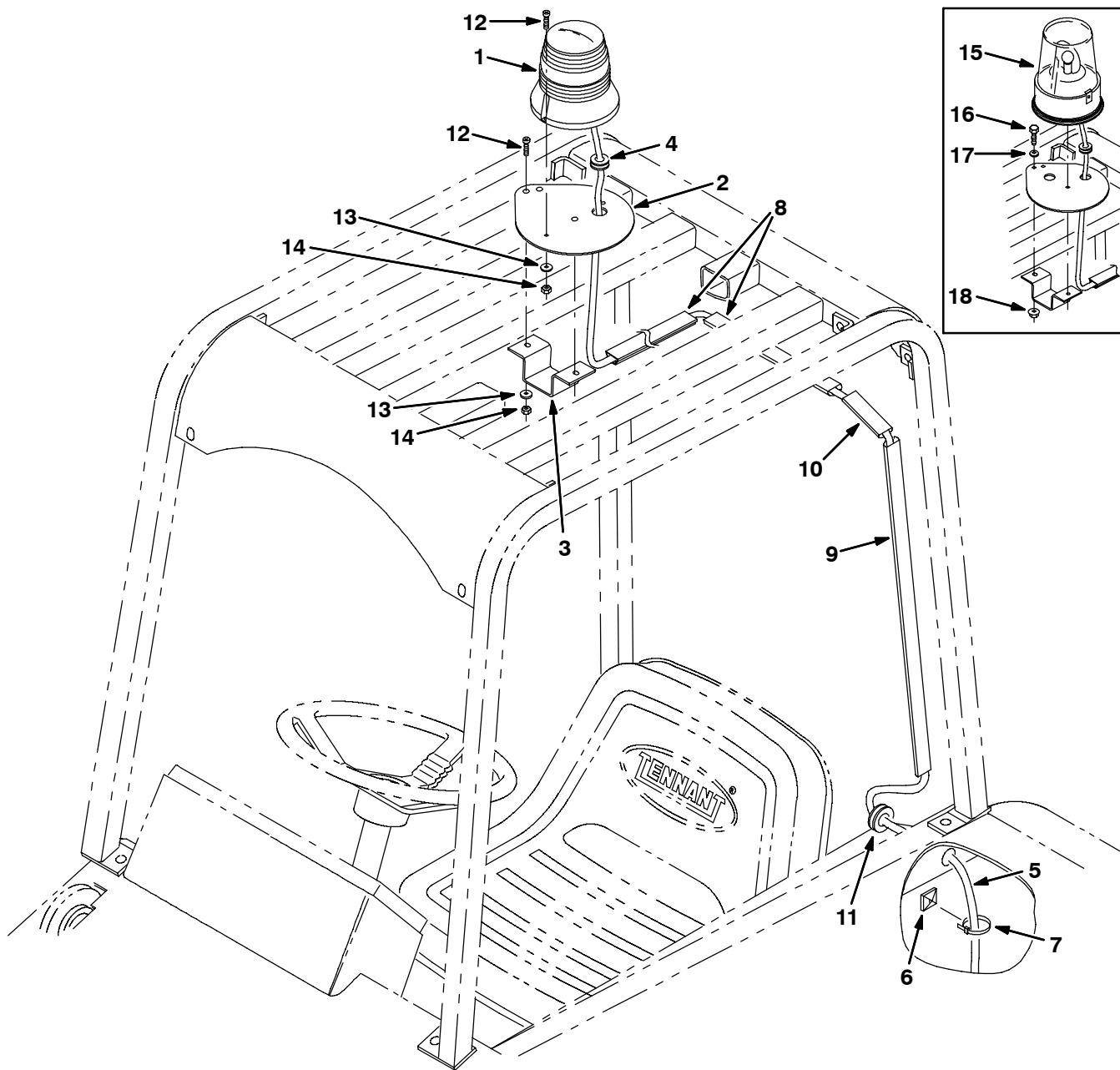


Fig. 3 - Revolving Light Kit, Overhead Guard

Ref.	Part No.	Serial Number	Description	Qty.
▽	377264	(000000-) Kit, Ci, Light, Revl, Ohg [6600/6650]	1
▲▽	1 1017250	(010415-) Lamp Strobe, Amb [12-48 Vdc]	1
▲▲	9000879	(010415-) Lens, Lamp, Amb, Strobe/Flasher	1
▲▲	9000846	(010415-) Lamp, Bulb, Lamp, Strobe	1
▲▲	1027798	(010415-) Lens, Red, F/ Revl / Flasher	1
▲▲	1027800	(010415-) Lens, Blu, F/ Revl / Flasher	1
▲	29192	(010415-) Terminal, Ring, .25stud 16-14ga, Ins	1
▲	55272	(010415-) Terminal, Bullet, Mal, .157d, 12ga	1
▲	2 57220	(000000-) Plate	1
▲	3 59447	(000000-) Bracket, Mtg, Light, Ohg	1
▲	4 10632-9	(000000-) Grommet, Rbr, 0.63id, F/ 0.8h, .12matl	1
▲	5 60288	(000000-) Harness, Light, Revl, Ohg, [355l]	1
▲	6 55248	(000000-) Mount, Cable Tie	5
▲	7 49266	(000000-) Tie, Cable, Nyl, 07.3l .19w 1.8 Max D	8
▲	8 86330	(000000-) Duct, Vyl, 0.40 X 0.75 .25d 10.0l	2
▲	9 86332	(000000-) Duct, Vyl, 0.40 X 0.75 .25d 26.0l	1
▲	10 86333	(000000-) Duct, Vyl, 0.40 X 0.75 .25d 03.5l	1
▲	11 10632-18	(000000-) Grommet, Rbr, 0.69id, F/ 0.1h, .25matl	1
▲	12 06934	(010415-) Screw, Pan, M5 X 0.8 X 20, 4.8	4
▲	13 19066	(010415-) Washer, Flat, #10	4
▲	14 06549	(010415-) Nut, Hex, Lock, M5 X 0.8, NI	4
▽	15 82200	(000000-010414) Light, Revl, 12vdc, Amb, Rwk 82200	1
▲	44681-1	(000000-010414) Lens, Amber, Light, Revl	1
▲	45779	(000000-010414) Lamp, 12vdc, 2.1a Watt 32c [#1156]	1
	16 06942	(000000-010414) Screw, Hex, M 6 X 1.0 X 16, 8.8	1
	17 07790	(000000-010414) Nut, Hex, Flng, M06 X 1.0	1
	18 32483	(000000-010414) Washer, Flat, 0.25 Sae	1
	44681	(000000-010414) Lens, Red, Light, Revl	1
	44681-2	(000000-010414) Lens, Blue, Light, Revl	1

Fig. 4 - Flashing Light Kit, LRC

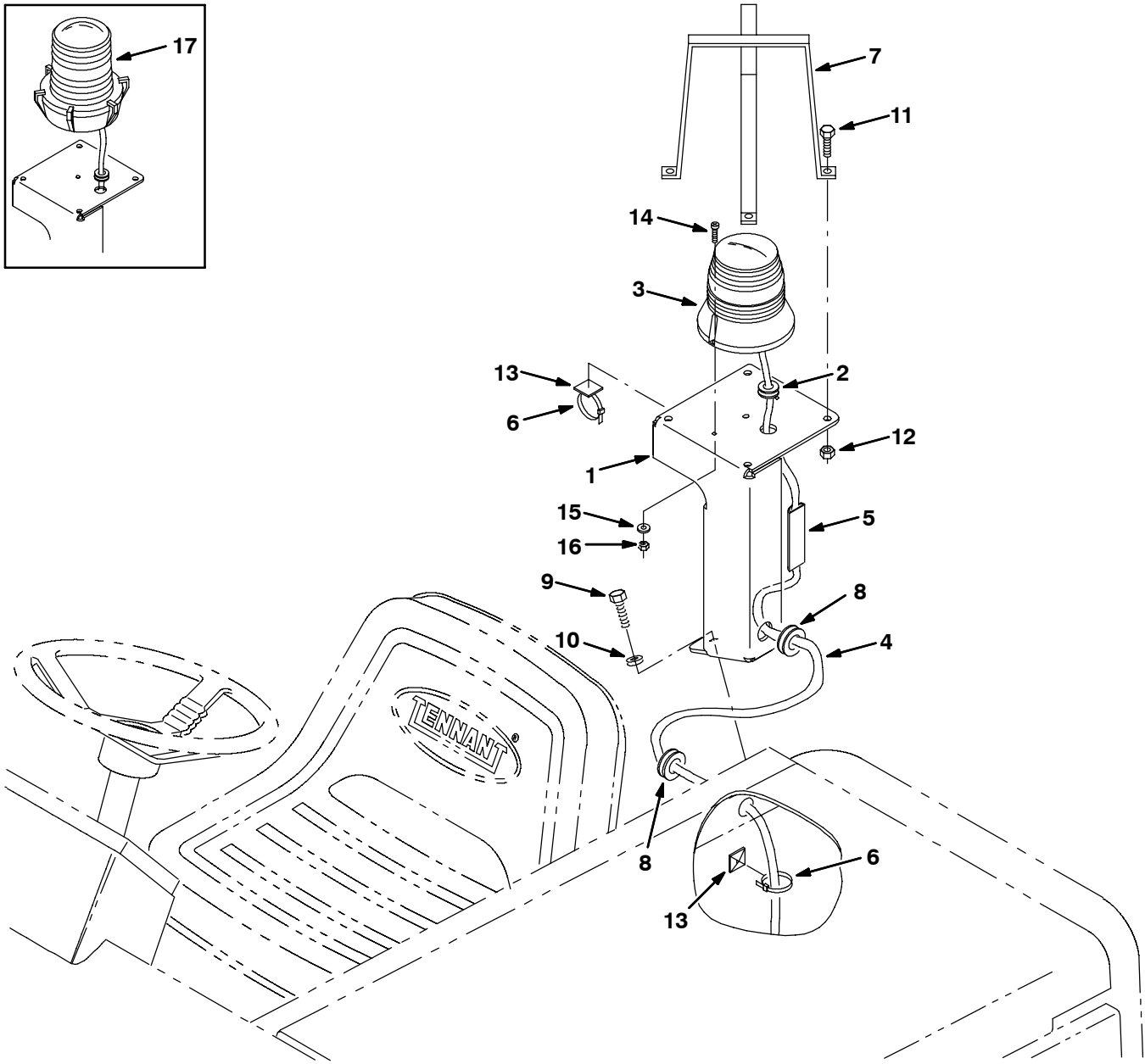


Fig. 4 - Flashing Light Kit, LRC

	Ref.	Part No.	Serial Number	Description	Qty.
▽		377271	(000000-) Kit, Ci, Light, Flsh [6600/6650]	1
▲	1	1021363	(000000-) Bracket, Light, Rotating	1
▲	2	10632-9	(000000-) Grommet, Rbr, 0.63id, F/ 0.8h, .12matl	1
▲▽	3	1017248	(010239-) Lamp, Flasher, Amb [12-48 Vdc]	1
▲▲		9000879	(010239-) Lens, Lamp, Amb, Strobe/Flasher	1
▲▲		9000845	(010239-) Lamp, Bulb, Lamp, Flsh	1
▲▲		1027798	(010239-) Lens, Red, F/ Revl / Flasher	1
▲▲		1027800	(010239-) Lens, Blu, F/ Revl / Flasher	1
▲		29192	(010239-) Terminal, Ring, .25stud 16-14ga, Ins	1
▲		55272	(010239-) Terminal, Bullet, Mal, .157d, 12ga	1
▲	4	71543	(000000-) Harness, Light, Flsh, Revl, [355l]	1
▲	5	86333	(000000-) Duct, Vyl, 0.40 X 0.75 .25d 03.5l	1
▲	6	49266	(000000-) Tie, Cable, Nyl, 07.3l .19w 1.8 Max D	6
▲	7	45272	(000000-) Guard Wldt, Light, Revl/Flsh	1
▲	8	10632-18	(000000-) Grommet, Rbr, 0.69id, F/ 0.1h, .25matl	2
▲	9	16931	(000000-) Screw, Hex, M 8 X 1.25 X 20, 8.8	2
▲	10	32491	(000000-) Washer, Flat, 0.31 Std	2
▲	11	08716	(000000-) Screw, Hex, M6 X 1.0 X 20, Ss	4
▲	12	08708	(000000-) Nut, Hex, Lock, M6 X 1.00 NI	4
▲	13	55248	(000000-) Mount, Cable Tie	6
▲	14	06934	(010239-) Screw, Pan, M5 X 0.8 X 20, 4.8	2
▲	15	19066	(010239-) Washer, Flat, #10	2
▲	16	06549	(010239-) Nut, Hex, Lock, M5 X 0.8, NI	2
▽	17	82063	(000000-010238) Light, Flsh, 12vdc, Amb, Rwk 82198	1
▲		58520	(000000-010238) Lens, Amber, Light, Flsh, [Fr207]	1
▲		45779	(000000-010238) Lamp, 12vdc, 2.1a Watt 32c [#1156]	1
		58518	(000000-010238) Lens, Red, Light, Flsh, [Fr207]	1
		58519	(000000-010238) Lens, Blue, Light, Flsh, [Fr207]	1

Fig. 5 - Revolving Light Kit, LRC

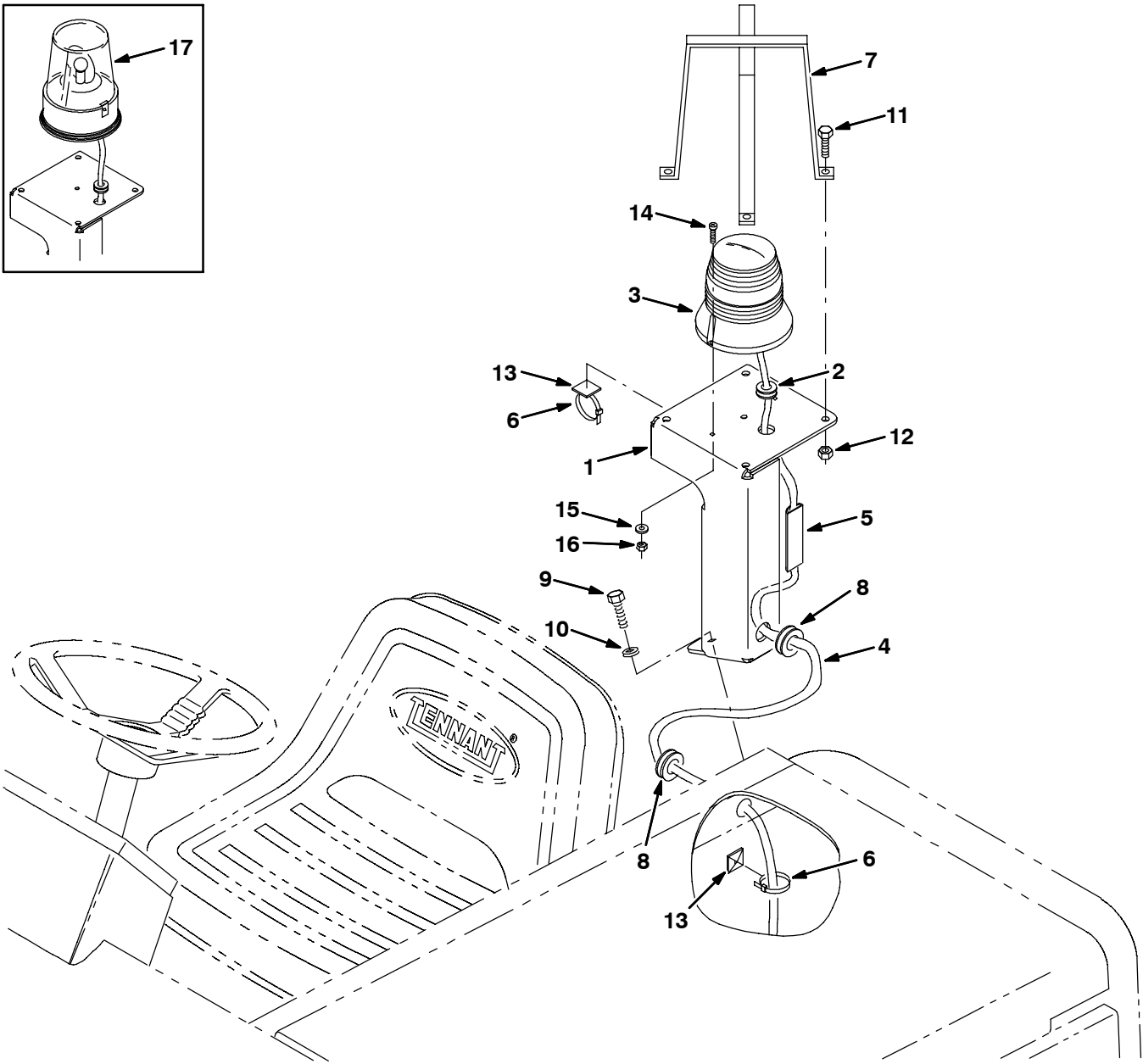


Fig. 5 - Revolving Light Kit, LRC

	Ref.	Part No.	Serial Number	Description	Qty.
▽		377262	(000000-) Kit, Ci, Light, Revl [6600/6650]	1
▲	1	72100	(000000-) Bracket, Light, Rotating	1
▲	2	10632-9	(000000-) Grommet, Rbr, 0.63id, F/ 0.8h, .12matl	1
▲▽	3	1017250	(010415-) Lamp Strobe, Amb [12-48 Vdc]	1
▲▲		9000879	(010415-) Lens, Lamp, Amb, Strobe/Flasher	1
▲▲		1027798	(010415-) Lens, Red, F/ Revl / Flasher	1
▲▲		1027800	(010415-) Lens, Blu, F/ Revl / Flasher	1
▲▲		9000846	(010415-) Lamp, Bulb, Lamp, Strobe	1
▲		29192	(010415-) Terminal, Ring, .25stud 16-14ga, Ins	1
▲		55272	(010415-) Terminal, Bullet, Mal, .157d, 12ga	1
▲	4	71543	(000000-) Harness, Light, Flsh, Revl, [355l]	1
▲	5	86333	(000000-) Duct, Vyl, 0.40 X 0.75 .25d 03.5l	1
▲	6	49266	(000000-) Tie, Cable, Nyl, 07.3l .19w 1.8 Max D	12
▲	7	45272	(000000-) Guard Wldt, Light, Revl/Flsh	1
▲	8	10632-18	(000000-) Grommet, Rbr, 0.69id, F/ 0.1h, .25matl	2
▲	9	16931	(000000-) Screw, Hex, M 8 X 1.25 X 20, 8.8	2
▲	10	32491	(000000-) Washer, Flat, 0.31 Std	2
▲	11	09740	(000000-) Screw, Hex, M 8 X 1.25 X 20, Ss	4
▲	12	08709	(000000-) Nut, Hex, Lock, M 8 X 1.25 NI	4
▲	13	55248	(000000-) Mount, Cable Tie	6
▲	14	06934	(010415-) Screw, Pan, M5 X 0.8 X 20, 4.8	2
▲	15	19066	(010415-) Washer, Flat, #10	2
▲	16	06549	(010415-) Nut, Hex, Lock, M5 X 0.8, NI	2
▽	17	82200	(000000-010414) Light, Revl, 12vdc, Amb, Rwk 82200	1
▲		44681-1	(000000-010414) Lens, Amber, Light, Revl	1
▲		45779	(000000-010414) Lamp, 12vdc, 2.1a Watt 32c [#1156]	1
		44681	(000000-010414) Lens, Red, Light, Revl	1
		44681-2	(000000-010414) Lens, Blue, Light, Revl	1

Fig. 6 - Flashing Light Kit, Cab

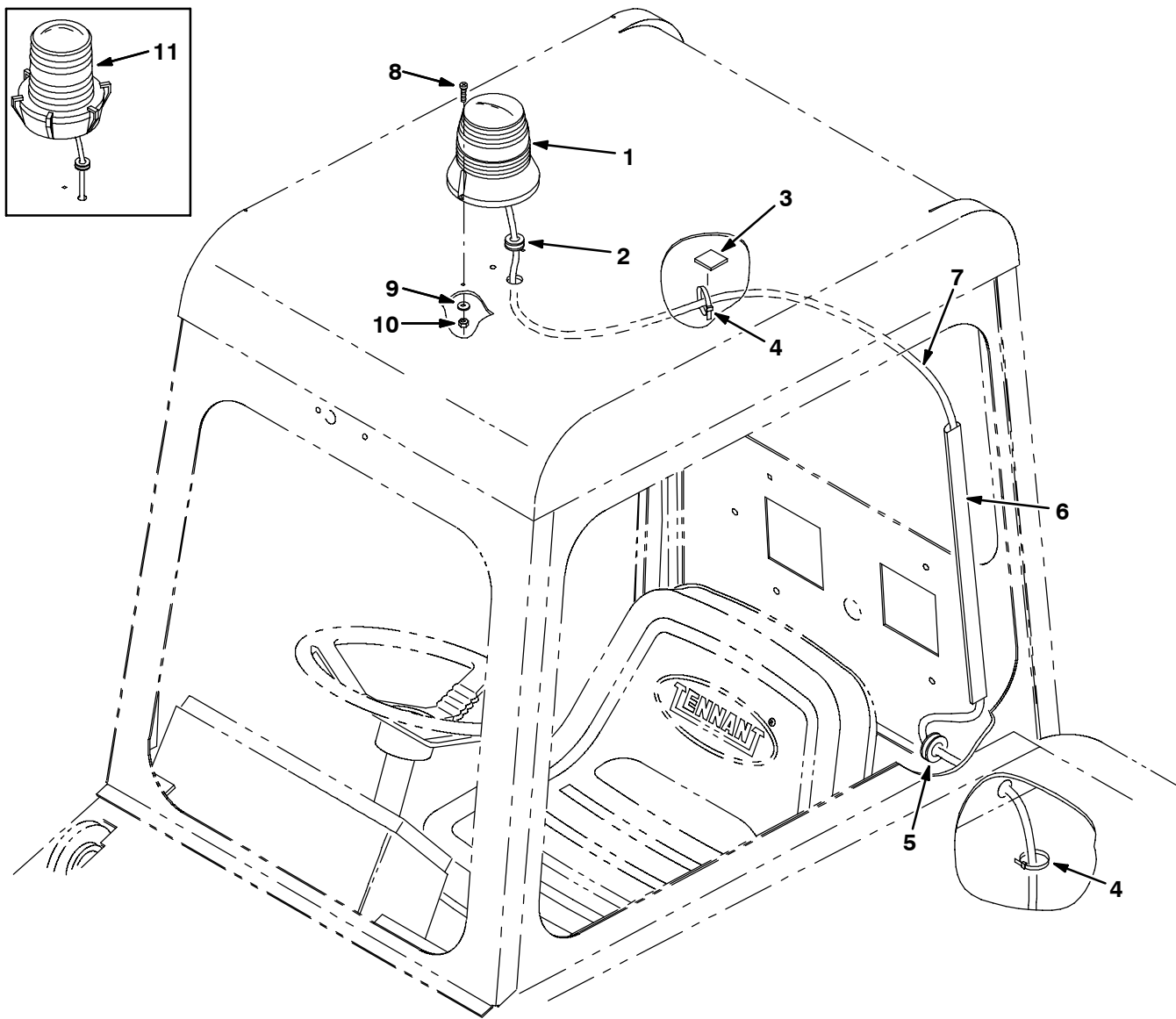


Fig. 6 - Flashing Light Kit, Cab

Ref.	Part No.	Serial Number	Description	Qty.
▽	377275	(000000-) Kit, Ci, Light, Flsh, Cab [6600/6650]	1
▲▽	1 1017248	(010239-) Lamp, Flasher, Amb [12-48 Vdc]	1
▲▲	9000879	(010239-) Lens, Lamp, Amb, Strobe/Flasher	1
▲▲	9000845	(010239-) Lamp, Bulb, Lamp, Flsh	1
▲▲	1027798	(010239-) Lens, Red, F/ Revl / Flasher	1
▲▲	1027800	(010239-) Lens, Blu, F/ Revl / Flasher	1
▲	29192	(010239-) Terminal, Ring, .25stud 16-14ga, Ins	1
▲	55272	(010239-) Terminal, Bullet, Mal, .157d, 12ga	1
▲	2 10632-9	(000000-) Grommet, Rbr, 0.63id, F/ 0.8h, .12matl	1
▲	3 55248	(000000-) Mount, Cable Tie	4
▲	4 49266	(000000-) Tie, Cable, Nyl, 07.3l .19w 1.8 Max D	4
▲	5 10632-18	(000000-) Grommet, Rbr, 0.69id, F/ 0.1h, .25matl	1
▲	6 86332	(000000-) Duct, Vyl, 0.40 X 0.75 .25d 26.0l	1
▲	7 60288	(000000-) Harness, Light, Revl, Ohg, [355l]	1
▲	8 06934	(010239-) Screw, Pan, M5 X 0.8 X 20, 4.8	2
▲	9 19066	(010239-) Washer, Flat, #10	2
▲	10 06549	(010239-) Nut, Hex, Lock, M5 X 0.8, NI	2
▽	11 82063	(000000-010238) Light, Flsh, 12vdc, Amb, Rwk 82198	1
▲	58520	(000000-010238) Lens, Amber, Light, Flsh, [Fr207]	1
▲	45779	(000000-010238) Lamp, 12vdc, 2.1a Watt 32c [#1156]	1
	58518	(000000-010238) Lens, Red, Light, Flsh, [Fr207]	1
	58519	(000000-010238) Lens, Blue, Light, Flsh, [Fr207]	1

Fig. 7 - Revolving Light Kit, Cab

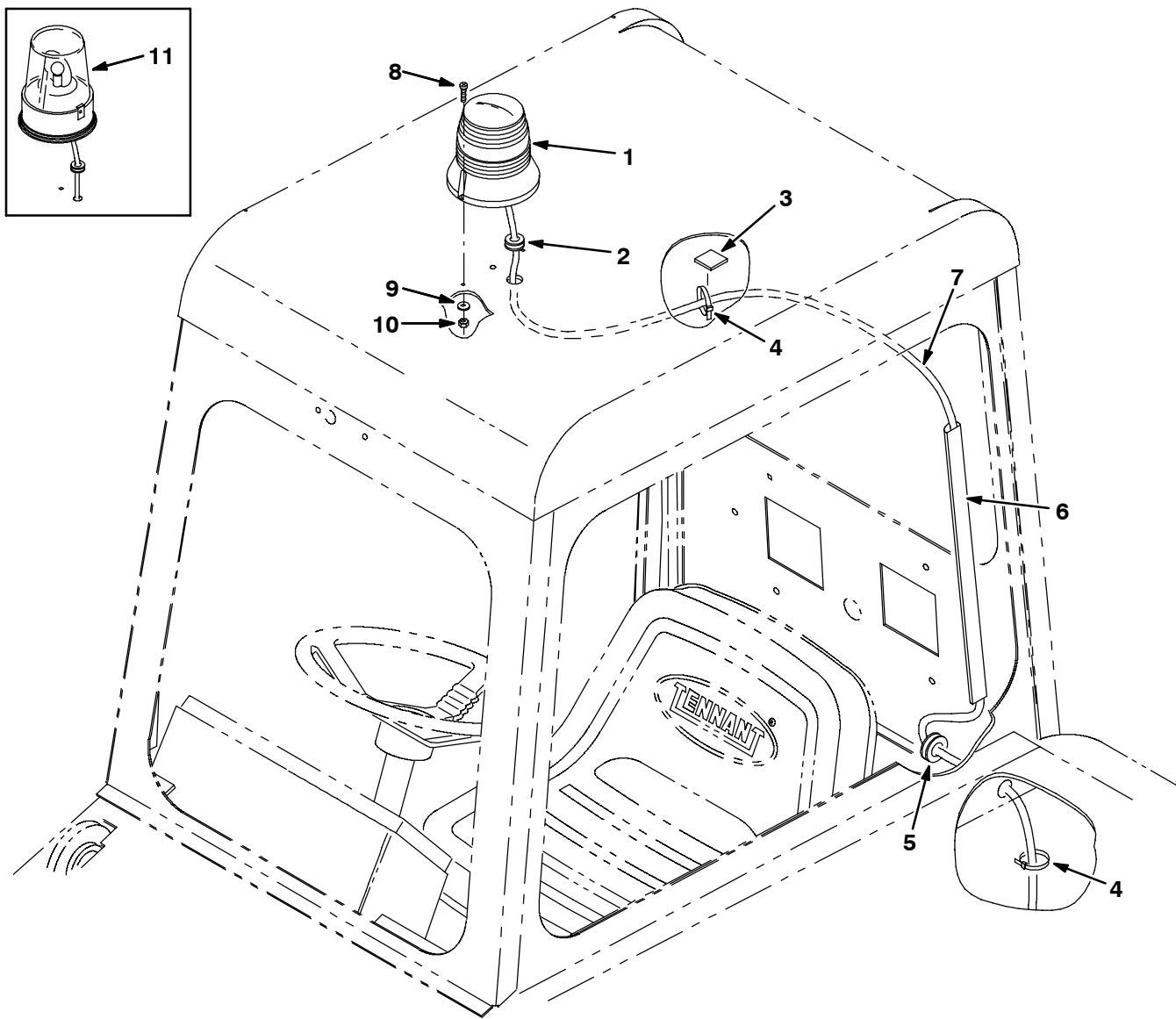


Fig. 7 - Revolving Light Kit, Cab

Ref.	Part No.	Serial Number	Description	Qty.
▽	377266	(000000-) Kit, Ci, Light, Revl, Cab [6600/6650]	1
▲▽	1 1017250	(010415-) Lamp Strobe, Amb [12-48 Vdc]	1
▲▲	9000879	(010415-) Lens, Lamp, Amb, Strobe/Flasher	1
▲▲	9000846	(010415-) Lamp, Bulb, Lamp, Strobe	1
▲▲	1027798	(010415-) Lens, Red, F/ Revl / Flasher	1
▲▲	1027800	(010415-) Lens, Blu, F/ Revl / Flasher	1
▲	29192	(010415-) Terminal, Ring, .25stud 16-14ga, Ins	1
▲	55272	(010415-) Terminal, Bullet, Mal, .157d, 12ga	1
▲	2 10632-9	(000000-) Grommet, Rbr, 0.63id, F/ 0.8h, .12matl	1
▲	3 55248	(000000-) Mount, Cable Tie	4
▲	4 49266	(000000-) Tie, Cable, Nyl, 07.3l .19w 1.8 Max D	4
▲	5 10632-18	(000000-) Grommet, Rbr, 0.69id, F/ 0.1h, .25matl	1
▲	6 86332	(000000-) Duct, Vyl, 0.40 X 0.75 .25d 26.0l	1
▲	7 60288	(000000-) Harness, Light, Revl, Ohg, [355l]	1
▲	8 06934	(010415-) Screw, Pan, M5 X 0.8 X 20, 4.8	2
▲	9 19066	(010415-) Washer, Flat, #10	2
▲	10 06549	(010415-) Nut, Hex, Lock, M5 X 0.8, NI	2
▽	11 82200	(000000-010414) Light, Revl, 12vdc, Amb, Rwk 82200	1
▲	44681-1	(000000-010414) Lens, Amber, Light, Revl	1
▲	45779	(000000-010414) Lamp, 12vdc, 2.1a Watt 32c [#1156]	1
	44681	(000000-010414) Lens, Red, Light, Revl	1
	44681-2	(000000-010414) Lens, Blue, Light, Revl	1

Fig. 8 - Flashing Light Kit, Flush Mounting

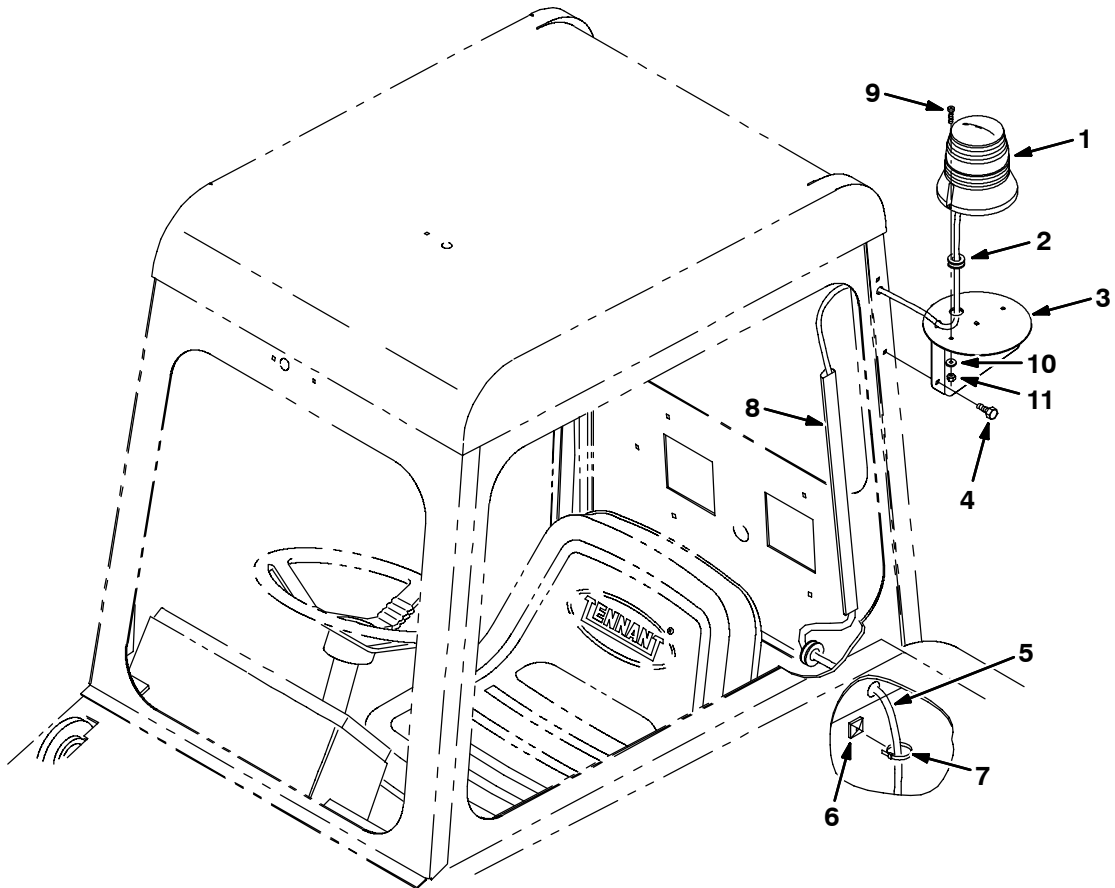
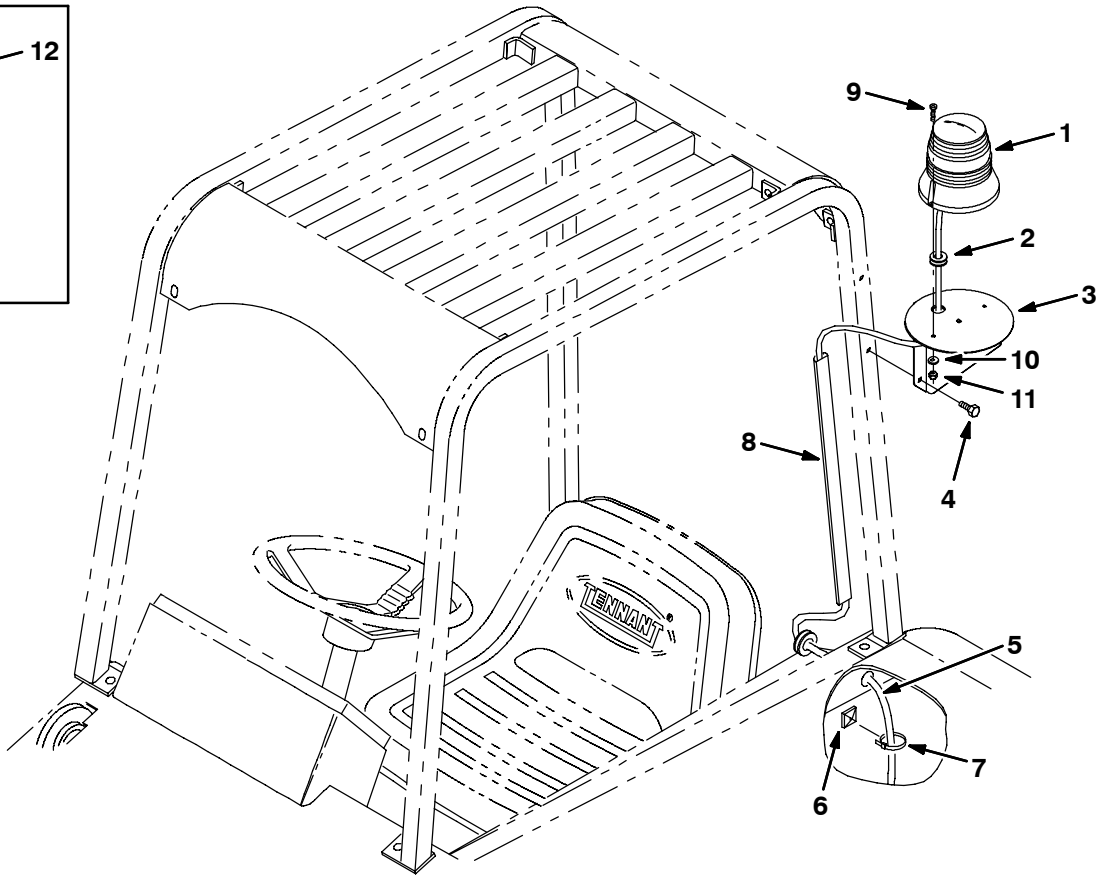
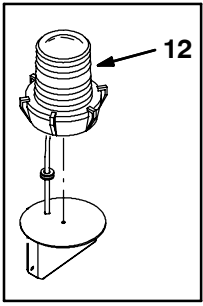


Fig. 8 - Flashing Light Kit, Flush Mounting

Ref.	Part No.	Serial Number	Description	Qty.
▽	377088	(000000-) Kit, Ci, Light, Flsh, Flush, Cab	1
▲▽	1 1017248	(010239-) Lamp, Flasher, Amb [12-48 Vdc]	1
▲▲	9000879	(010239-) Lens, Lamp, Amb, Strobe/Flasher	1
▲▲	9000845	(010239-) Lamp, Bulb, Lamp, Flsh	1
▲▲	1027798	(010239-) Lens, Red, F/ Revl / Flasher	1
▲▲	1027800	(010239-) Lens, Blu, F/ Revl / Flasher	1
▲	29192	(010239-) Terminal, Ring, .25stud 16-14ga, Ins	1
▲	55272	(010239-) Terminal, Bullet, Mal, .157d, 12ga	1
▲	2 10632-9	(000000-) Grommet, Rbr, 0.63id, F/ 0.8h, .12matl	1
▲	3 1021364	(000000-) Bracket Wldt, Mtg, Light	1
▲	4 763045	(000000-) Screw, Hex, M 8 X 1.25 X 20, Fmg	2
▲	5 60288	(000000-) Harness, Light, Revl, Ohg, [355l]	1
▲	6 55248	(000000-) Mount, Cable Tie	10
▲	7 49266	(000000-) Tie, Cable, Nyl, 07.3l .19w 1.8 Max D	16
▲	8 1027395	(000000-) Duct, Vyl, 0.40 X 0.75 .25d Max 48.0l	1
▲	9 06934	(010239-) Screw, Pan, M5 X 0.8 X 20, 4.8	2
▲	10 19066	(010239-) Washer, Flat, #10	2
▲	11 06549	(010239-) Nut, Hex, Lock, M5 X 0.8, NI	2
▽	12 82063	(000000-010238) Light, Flsh, 12vdc, Amb, Rwk 82198	1
▲	58520	(000000-010238) Lens, Amber, Light, Flsh, [Fr207]	1
▲	45779	(000000-010238) Lamp, 12vdc, 2.1a Watt 32c [#1156]	1
	58518	(000000-010238) Lens, Red, Light, Flsh, [Fr207]	1
	58519	(000000-010238) Lens, Blue, Light, Flsh, [Fr207]	1

Fig. 9 - Revolving Light Kit, Flush Mounting

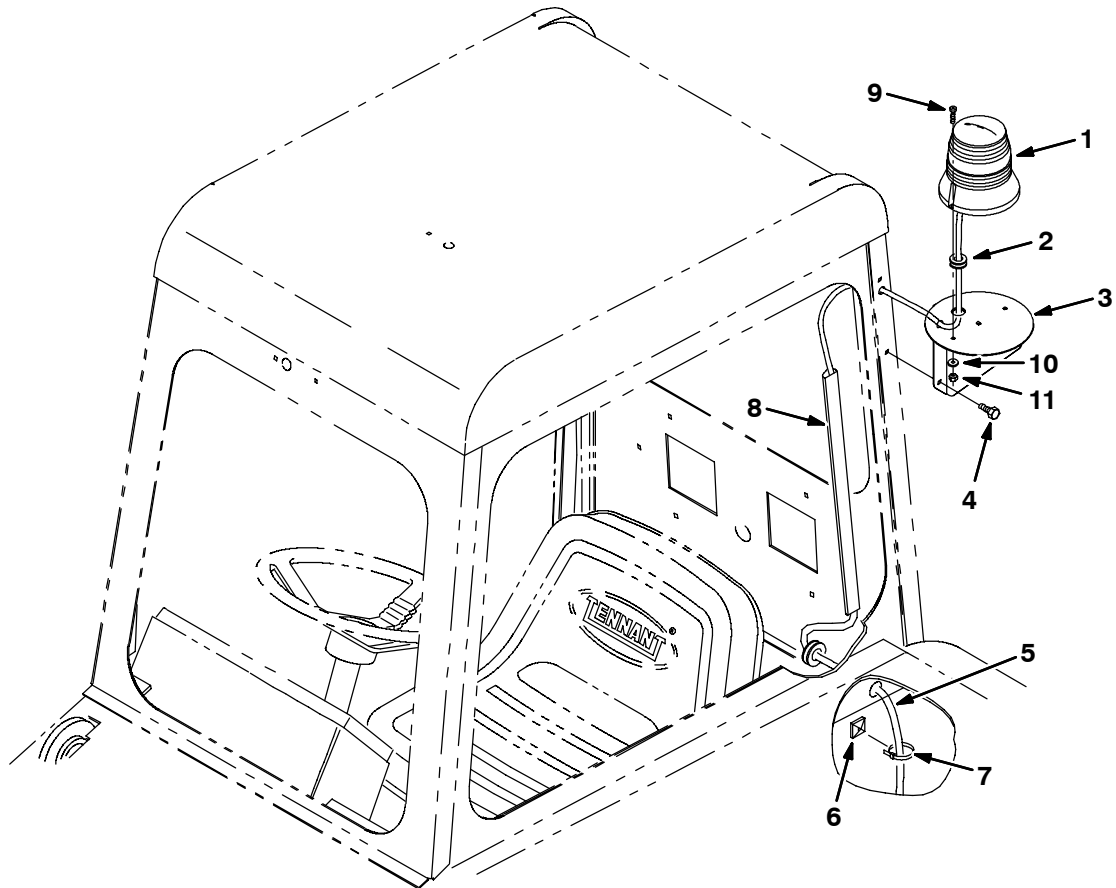
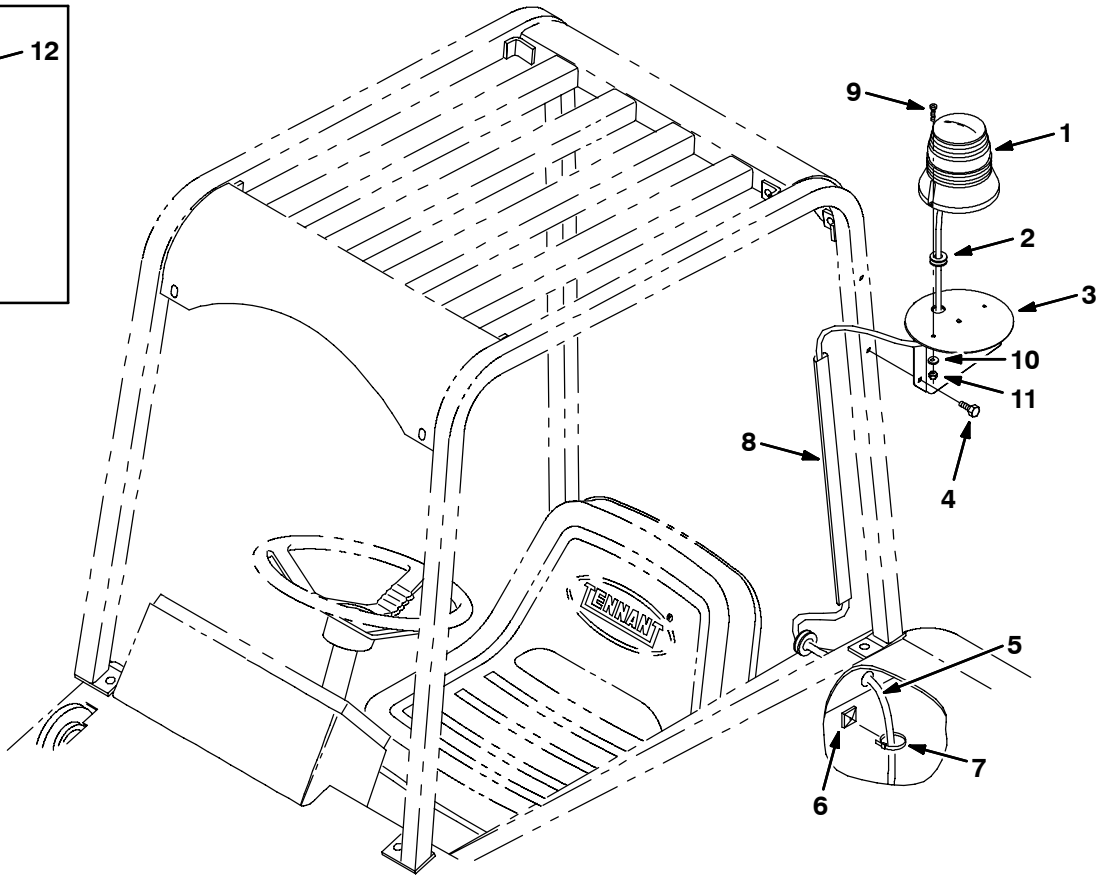
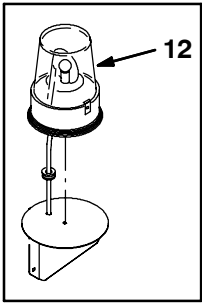


Fig. 9 - Revolving Light Kit, Flush Mounting

Ref.	Part No.	Serial Number	Description	Qty.
▽	377086	(000000-) Kit, Ci, Light, Revl, Flush, Ohg	1
▲▽	1 1017250	(010415-) Lamp Strobe, Amb [12-48 Vdc]	1
▲▲	9000879	(010415-) Lens, Lamp, Amb, Strobe/Flasher	1
▲▲	9000846	(010415-) Lamp, Bulb, Lamp, Strobe	1
▲▲	1027798	(010415-) Lens, Red, F/ Revl / Flasher	1
▲▲	1027800	(010415-) Lens, Blu, F/ Revl / Flasher	1
▲	29192	(010415-) Terminal, Ring, .25stud 16-14ga, Ins	1
▲	55272	(010415-) Terminal, Bullet, Mal, .157d, 12ga	1
▲	2 10632-9	(000000-) Grommet, Rbr, 0.63id, F/ 0.8h, .12matl	1
▲	3 1021364	(000000-) Bracket Wldt, Mtg, Light	1
▲	4 763045	(000000-) Screw, Hex, M 8 X 1.25 X 20, Fmg	2
▲	5 60288	(000000-) Harness, Light, Revl, Ohg, [355l]	1
▲	6 55248	(000000-) Mount, Cable Tie	10
▲	7 49266	(000000-) Tie, Cable, Nyl, 07.3l .19w 1.8 Max D	16
▲	8 1027395	(000000-) Duct, Vyl, 0.40 X 0.75 .25d Max 48.0l	1
▲	9 06934	(010415-) Screw, Pan, M5 X 0.8 X 20, 4.8	2
▲	10 19066	(010415-) Washer, Flat, #10	2
▲	11 06549	(010415-) Nut, Hex, Lock, M5 X 0.8, NI	2
▽	12 82200	(000000-010414) Light, Revl, 12vdc, Amb, Rwk 82200	1
▲	44681-1	(000000-010414) Lens, Amber, Light, Revl	1
▲	45779	(000000-010414) Lamp, 12vdc, 2.1a Watt 32c [#1156]	1
	44681-2	(000000-010414) Lens, Blue, Light, Revl	1
	44681	(000000-010414) Lens, Red, Light, Revl	1

Fig. 10 - Back-Up Alarm Kit, LRC

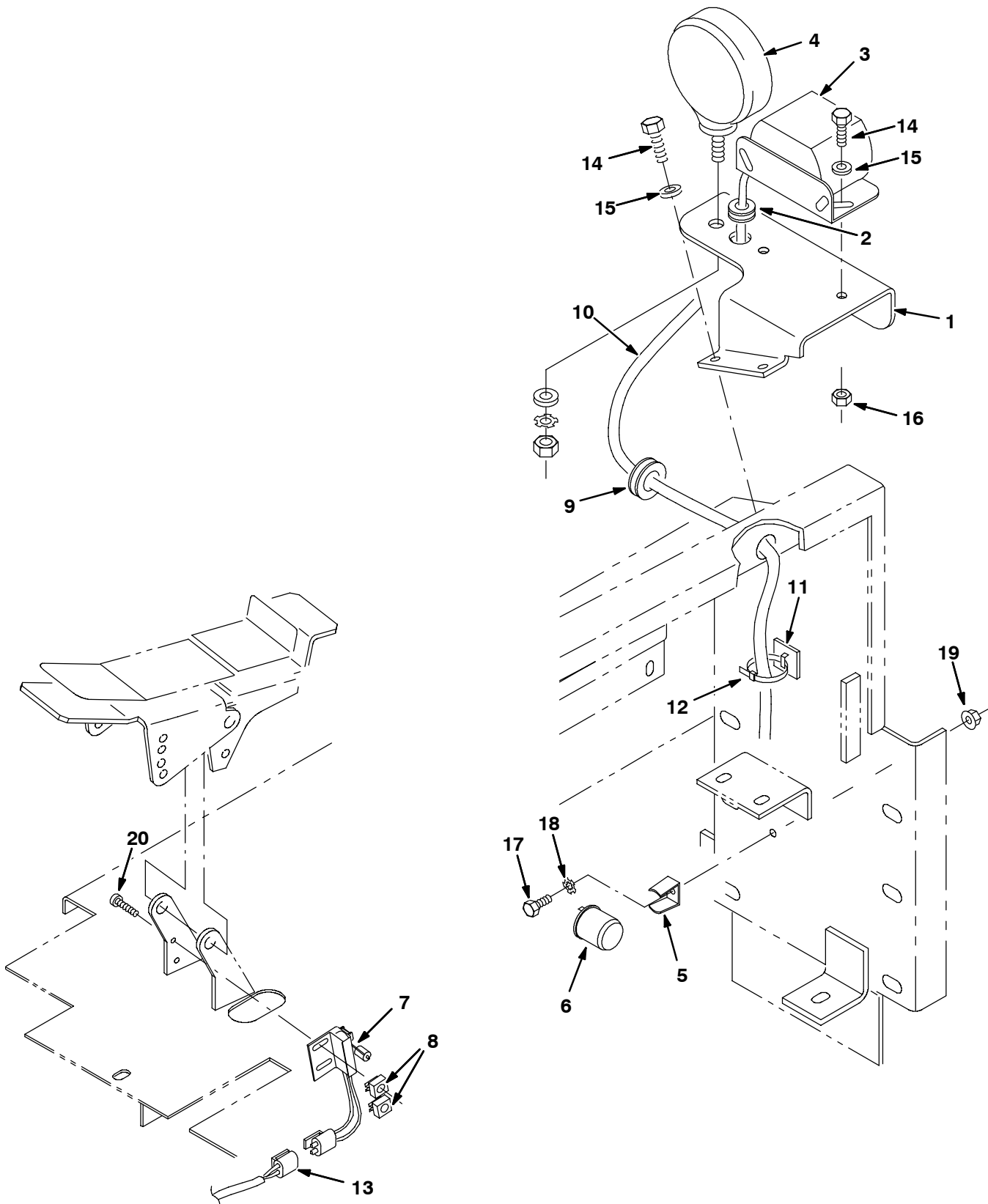


Fig. 10 - Back-Up Alarm Kit , LRC

NOTE: Backup alarm is standard on the 6650 XS machine.

Ref.	Part No.	Serial Number	Description	Qty.
▽	377192	(000000-) Kit, Ci, Alarm, Backup, A/V, W/O Cab	1
▲	1 1012369	(000000-) Bracket Wldt, Backup	1
▲	2 10632-9	(000000-) Grommet, Rbr, 0.63id, F/ 0.8h, .12matl	1
▲	3 61920	(000000-) Alarm Assy, Backup, 12-24vdc 82-107dba	1
▲▽	4 36438	(000000-) Light, Spot, 12vdc, 21cp Rwk 44025a	1
▲▲	36439	(000000-) Lamp, 12vdc, 0.9a, 15cp Watt [#1004]	1
▲	5 24576-1	(000000-) Bracket, Mtg, Flasher	1
▲	6 24576	(000000-) Flasher, 12vdc, [Hd#552ps83]	1
▲	7 23211	(000000-) Switch, Snap Actn, 12vdc 15a No Rlr	1
▲	8 23210	(000000-) Nut, Speed, Retainer, #08-32 [.025-.063]	2
▲	9 10632-18	(000000-) Grommet, Rbr, 0.69id, F/ 0.1h, .25matl	1
▲	10 71544	(000000-) Harness, Alarm, Backup, [355]	1
▲	11 55248	(000000-) Mount, Cable Tie	2
▲	12 49266	(000000-) Tie, Cable, Nyl, 07.3l .19w 1.8 Max D	5
▲	13 70159	(000000-) Harness, Alarm, Backup, [355]	1
▲	14 16931	(000000-) Screw, Hex, M 8 X 1.25 X 20, 8.8	4
▲	15 32491	(000000-) Washer, Flat, 0.31 Std	4
▲	16 08709	(000000-) Nut, Hex, Lock, M 8 X 1.25 NI	2
▲	17 09738	(000000-) Screw, Hex, M 5 X 0.8 X 12, Ss	1
▲	18 41139	(000000-) Washer, Lock, Int-Ext, #10	1
▲	19 07789	(000000-) Nut, Hex, Flng, M05 X 0.8	1
▲	20 32516	(000000-) Screw, Pan, #08-32 X 0.50, 1	2

Fig. 11 - Back-Up Alarm Kit, Cab

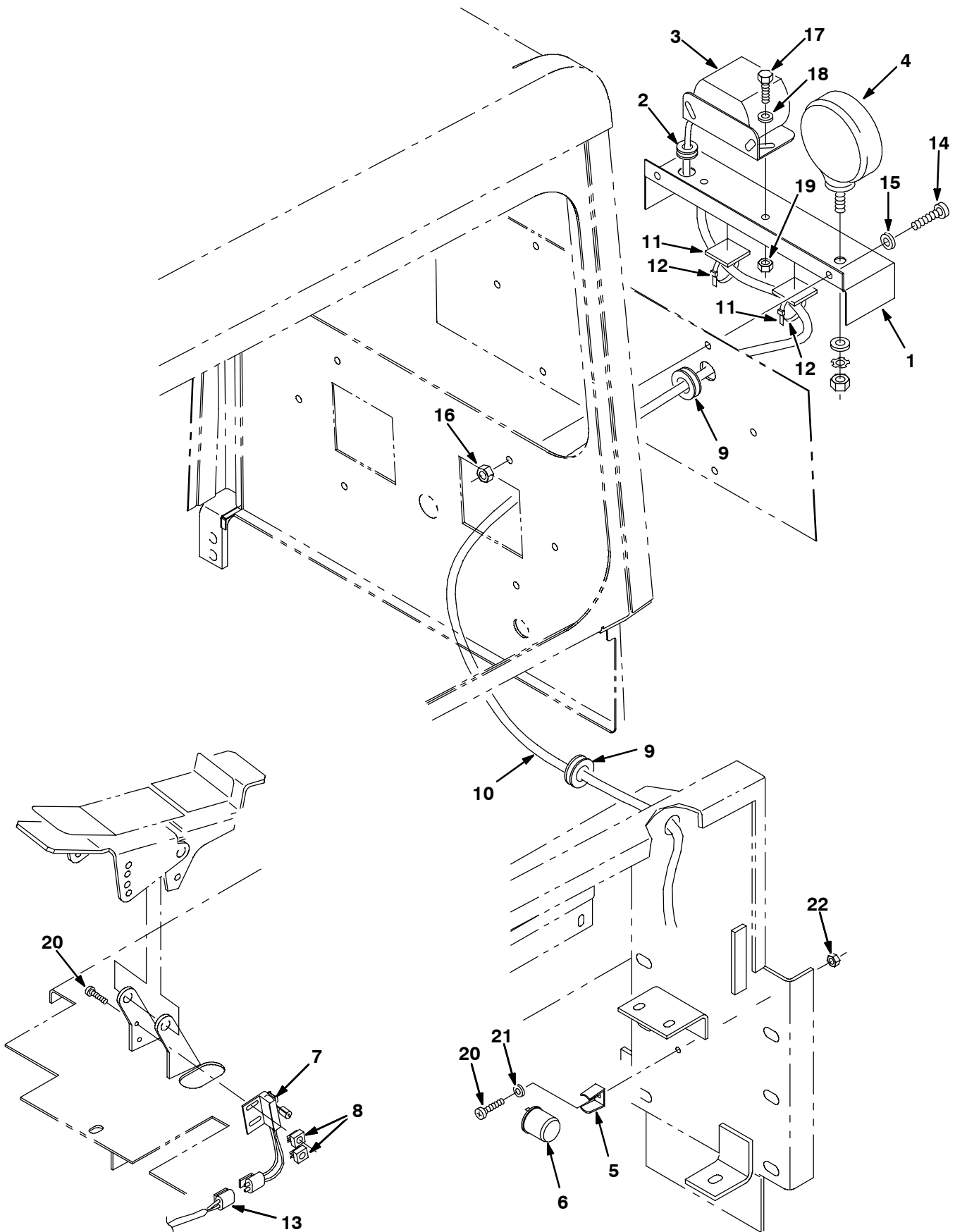


Fig. 11 - Back-Up Alarm Kit, Cab

	Ref.	Part No.	Serial Number	Description	Qty.
▽		377190	(000000-) Kit, Ci, Alarm, Backup, A/V, W/ Cab	1
▲	1	71058	(000000-) Bracket, Alarm, Backup	1
▲	2	10632-12	(000000-) Grommet, Rbr, 0.38id, F/ 0.5h, .12matl	1
▲	3	61920	(000000-) Alarm Assy, Backup, 12-24vdc 82-107dba	1
▲▽	4	36438	(000000-) Light, Spot, 12vdc, 21cp Rwk 44025a	1
▲▲		36439	(000000-) Lamp, 12vdc, 0.9a, 15cp Watt [#1004]	1
▲	5	24576-1	(000000-) Bracket, Mtg, Flasher	1
▲	6	24576	(000000-) Flasher, 12vdc, [Hd#552ps83]	1
▲	7	23211	(000000-) Switch, Snap Actn, 12vdc 15a No Rlr	1
▲	8	23210	(000000-) Nut, Speed, Retainer, #08-32 [.025-.063]	2
▲	9	10632-18	(000000-) Grommet, Rbr, 0.69id, F/ 0.1h, .25matl	2
▲	10	71544	(000000-) Harness, Alarm, Backup, [355]	1
▲	11	55248	(000000-) Mount, Cable Tie	2
▲	12	49266	(000000-) Tie, Cable, Nyl, 07.3l .19w 1.8 Max D	10
▲	13	70159	(000000-) Harness, Alarm, Backup, [355]	1
▲	14	17284	(000000-) Screw, Btn, M 8 X 1.25 X 16, Ss	2
▲	15	01685	(000000-) Washer, Flat, 0.31 Ss	2
▲	16	07791	(000000-) Nut, Hex, Flng, M08 X 1.25	2
▲	17	16931	(000000-) Screw, Hex, M 8 X 1.25 X 20, 8.8	2
▲	18	32491	(000000-) Washer, Flat, 0.31 Std	2
▲	19	08709	(000000-) Nut, Hex, Lock, M 8 X 1.25 NI	2
▲	20	09738	(000000-) Screw, Hex, M 5 X 0.8 X 12, Ss	1
▲	21	41139	(000000-) Washer, Lock, Int-Ext, #10	1
▲	22	07789	(000000-) Nut, Hex, Flng, M05 X 0.8	1
▲	23	32516	(000000-) Screw, Pan, #08-32 X 0.50, 1	2

Fig. 12 - Overhead Guard Kit

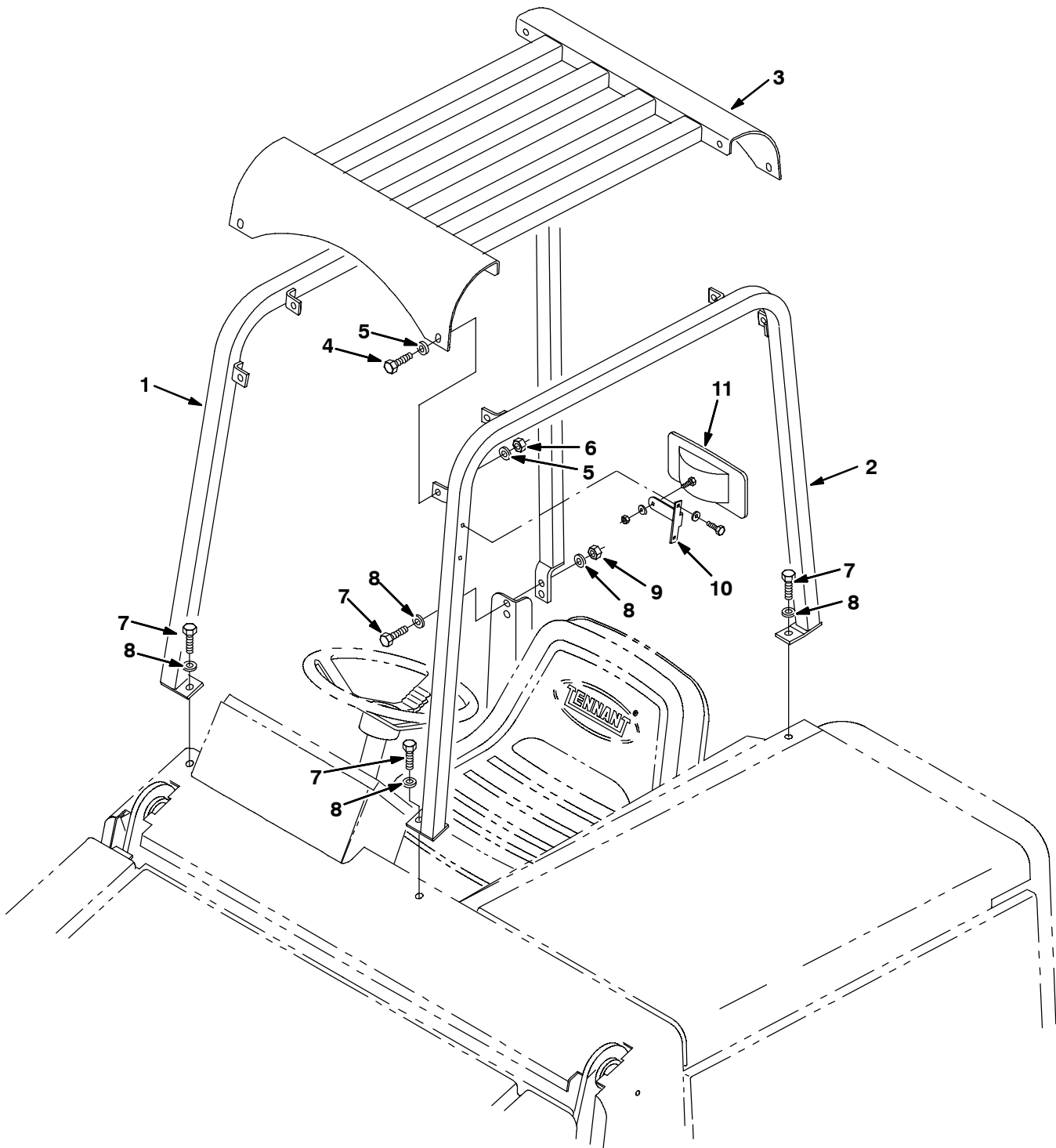


Fig. 12 - Overhead Guard Kit

NOTE: Overhead guard is standard on the 6650 XS machine.

	Ref.	Part No.	Serial Number	Description	Qty.
▽		377031	(000000-) Kit, Ci, Ohg [6600/6650]	1
▲	1	59665	(000000-) Tube Wldt, Leg, Ohg, Rh, White, [355]	1
▲	2	59666	(000000-) Tube Wldt, Leg, Ohg, Lh, White, [355]	1
▲	3	391850	(000000-) Guard Wldt, Ohg, Top	1
▲	4	39283	(000000-) Screw, Hex, M10 X 1.5 X 25, 8.8	8
▲	5	32492	(000000-) Washer, Flat, 0.38 Std	16
▲	6	41430	(000000-) Nut, Hex, Lock, M10 X 1.5, NI	8
▲	7	41346	(000000-) Screw, Hex, M12 X 1.75 X 30, 8.8	5
▲	8	32486	(000000-) Washer, Flat, 0.50 Sae	8
▲	9	08711	(000000-) Nut, Hex, Lock, M12 X 1.75,NI	3
▲	10	49032	(000000-) Bracket, Mtg, Mirror, Rearview	1
▲	11	49034	(000000-) Mirror, Convex, 06.7 X 06.2	1

Fig. 13 - Cab Insulation Group

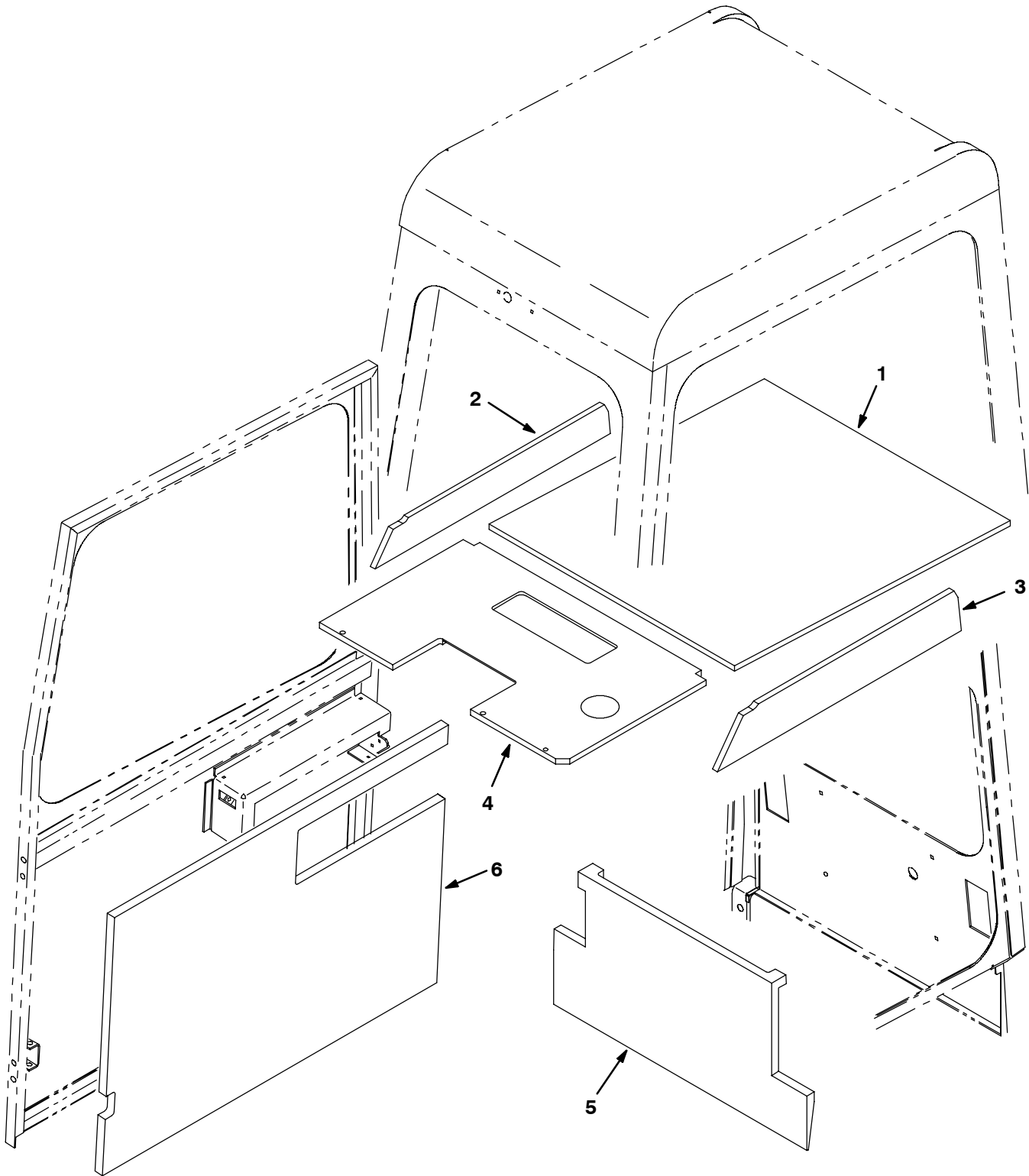


Fig. 13 - Cab Insulation Group

NOTE: Cab Kit, TENNANT Part Number 377021, includes Fig. 13, Fig. 14, Fig. 15, Fig. 16, and Fig. 17.

Ref.	Part No.	Serial Number	Description	Qty.
1	55073	(000000-) Insulation, Acstc, 0.3 25.5w 25.6l	1
2	55074	(000000-) Insulation, Acstc, 0.5 02.9w 24.3l Cab	1
3	55161	(000000-) Insulation, Acstc, 0.5 03.9w 25.3l Cab	1
4	55162	(000000-) Insulation, Acstc, Panel	1
5	55164	(000000-) Insulation, Acstc, 0.8 23.3w 34.6l Cab	1
6	1010155	(000000-) Insulation, Acstc, Door	1

Fig. 14 - Cab Frame and Windows Group

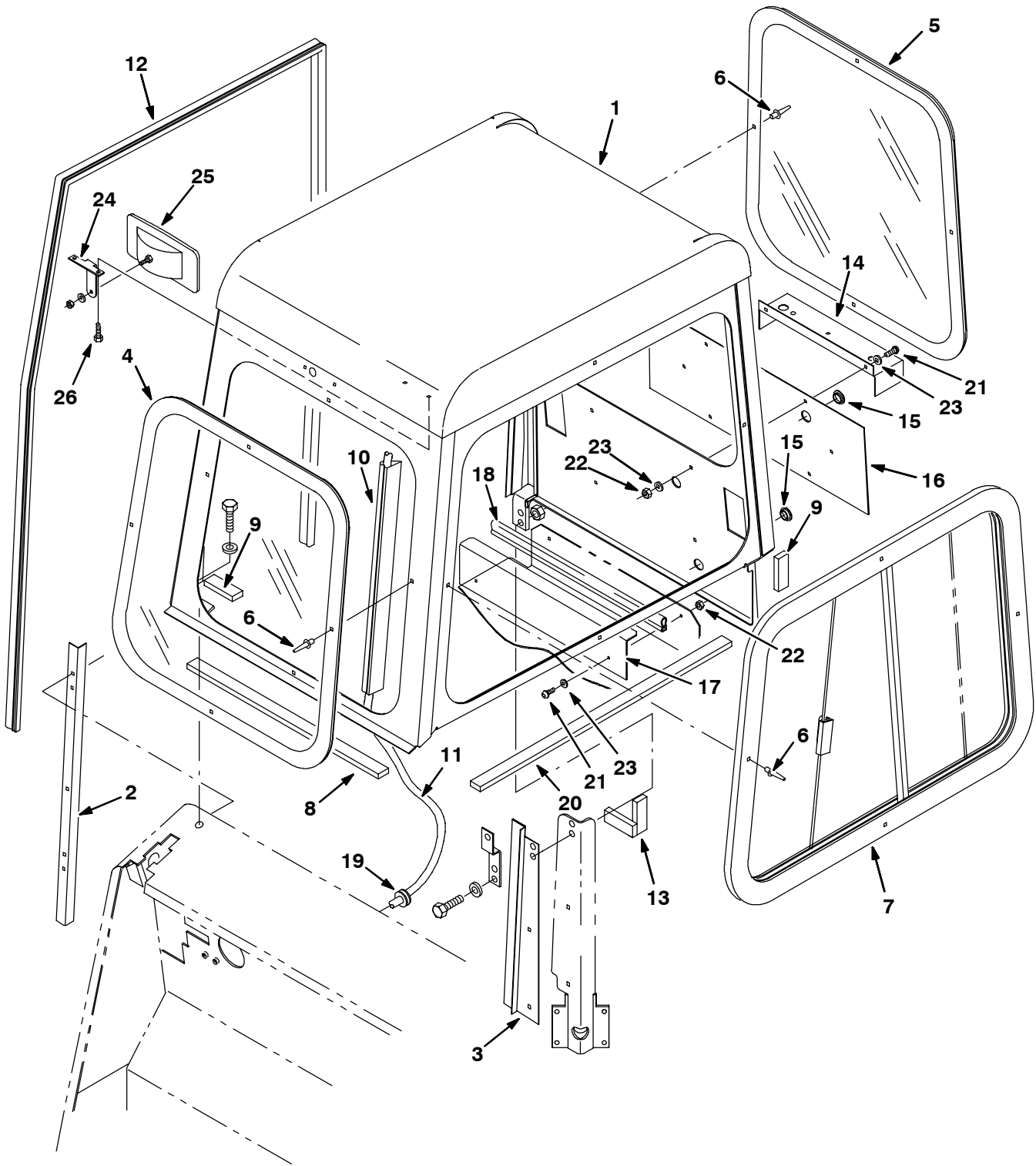


Fig. 14 - Cab Frame and Windows Group

NOTE: Cab Kit, TENNANT Part Number 377021, includes Fig. 13, Fig. 14, Fig. 15, Fig. 16, and Fig. 17.

Ref.	Part No.	Serial Number	Description	Qty.
1	370143	(000000-) Cab	1
2	56546	(000000-) Angle, Mtg, Stl, .06 1.0 1.0 28.5l	1
3	56560	(000000-) Panel, Jam, Door, Rear, Lower	1
4	74430	(000000-) Pane, Cab	1
5	74431	(000000-) Pane, Cab	1
6	82457	(000000-) Rivet, Blind, .125d X 0.44 X .25d, Stl	12
7	74429	(000000-) Pane, Cab	1
8	55959	(000000-) Seal, Ure, 0.38 0.75w 28.8l Adh	1
9	55968	(000000-) Seal, Ure, 0.38 0.75w 02.4l Adh	2
10	55973	(000000-) Duct, Vyl, 0.74 X 1.50 .75d Max 24.0l	1
11	60287	(000000-) Harness, Cab, [355l]	1
12	66221	(000000-) Seal, Bulb, [Sd-0504], 142.00l	1
13	66197	(000000-) Insulation, Acstc, Seat	1
14	71058	(000000-) Bracket, Alarm, Backup	1
15	55035	(000000-) Button, Plug, 1.00h .00-.17 [Black Nyl]	2
16	55270	(000000-) Plate	1
17	55227	(000000-) Plate, Seal	1
18	55228	(000000-) Seal, Bulb, [Sd-0504], 19.75l	1
19	10632-12	(000000-) Grommet, Rbr, 0.38ld, F/ 0.5H, .12Matl	1
20	55963	(000000-) Seal, Ure, 0.38 0.75w 36.0l Adh	1
21	17284	(000000-) Screw, Btn, M 8 X 1.25 X 16, Ss	8
22	08709	(000000-) Nut, Hex, Lock, M 8 X 1.25 NI	8
23	39349	(000000-) Washer, Flat, 0.31 Sae	16
24	49032	(000000-) Bracket, Mtg, Mirror, Rearview	1
25	49034	(000000-) Mirror, Convex, 06.7 X 06.2	1
26	24593	(000000-) Screw, Hex, .25-20 X 0.50, Fmg	2

Fig. 15 - Cab Door Group

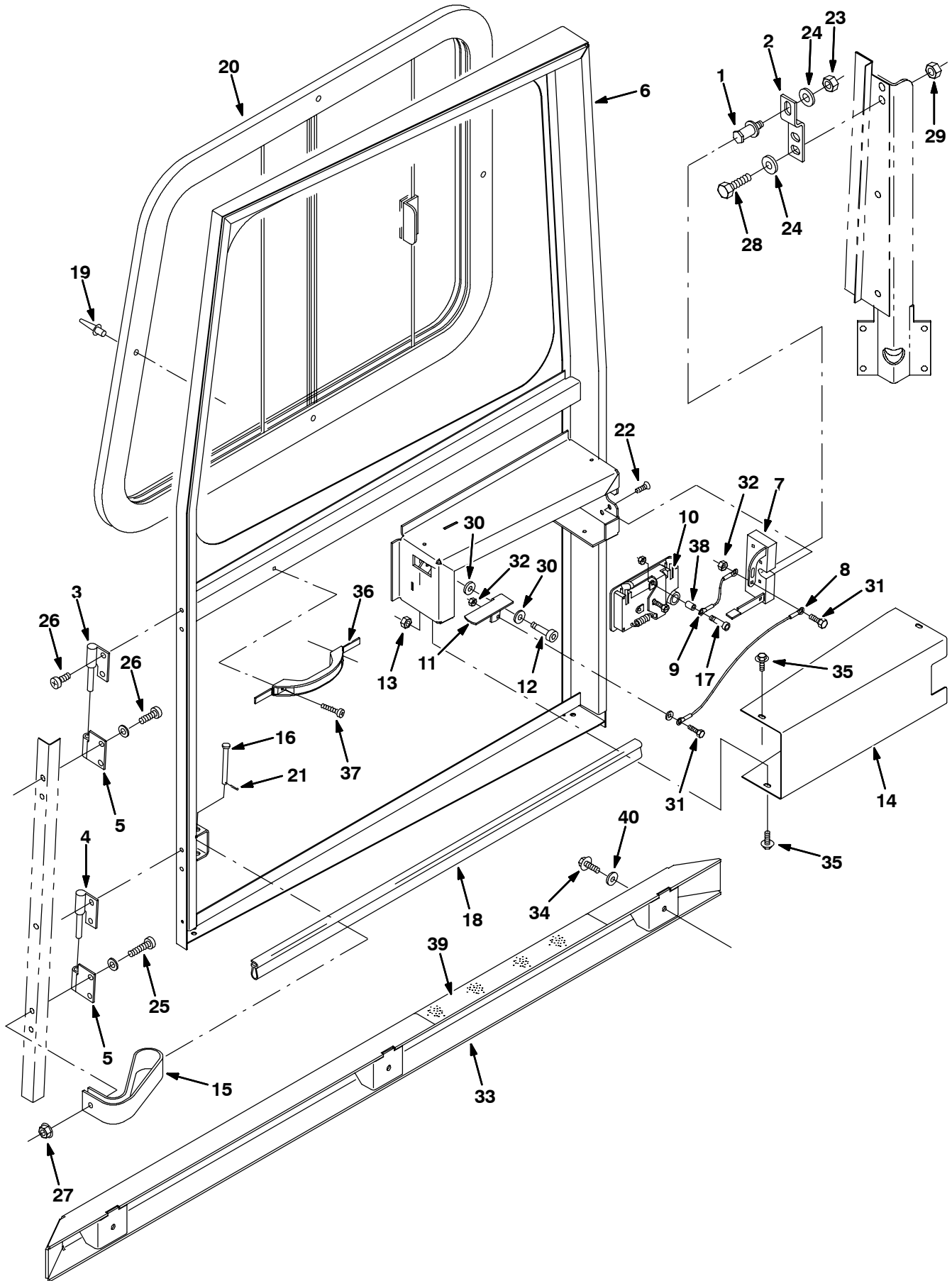


Fig. 15 - Cab Door Group

NOTE: Cab Kit, TENNANT Part Number 377021, includes Fig. 13, Fig. 14, Fig. 15, Fig. 16, and Fig. 17.

Ref.	Part No.	Serial Number	Description	Qty.
1	58898	(000000-) Bolt, Latch, F/58489/58844	1
2	1009892	(000000-) Bracket, Latch, Bolt	1
3	374653	(000000-) Hinge Wldt, Door, Cab, Pin, Long	1
4	374654	(000000-) Hinge Wldt, Door, Cab, Pin, Short	1
5	374651	(000000-) Hinge Wldt, Tube, .38b, Door, Cab	2
6	1005339	(000000-) Door Wldt, Cab	1
7	59514	(000000-) Latch	1
8	57702	(000000-) Cable, .06d, 12.0l, .26eye /.26eye	1
9	55038	(000000-) Cable, .06d, 05.8l, .26eye /.26eye	1
10	59515	(000000-) Handle, Door, Paddle	1
11	391816	(000000-) Lever, Door Release	1
12	02129	(000000-) Bolt, Shld, .38d X 0.38, .31-18	1
13	01760	(000000-) Nut, Hex, Lock, .31-18, NI, Thin	1
14	1009152	(000000-) Bracket, Armrest	1
15	60862	(000000-) Sleeve, Nyl, #13 14.7l	1
16	02126	(000000-) Pin, Clevis, 0.37 D X 3.00l	1
17	31249	(000000-) Bolt, Shld, .25d X 1.25, #10-24	1
18	72024	(000000-) Seal, Bulb, [Sd-0504], 34.50l	1
19	82457	(000000-) Rivet, Blind, .125d X 0.44 X .25d, Stl	4
20	74428	(000000-) Pane, Door, Cab	1
21	39005	(000000-) Pin, Cotter, .094 X 0.75	1
22	09062	(000000-) Screw, Flt, M06 X 1.0 X 16, 10.9	4
23	43955	(000000-) Nut, Hex, Std, .44-14, 5	1
24	32493	(000000-) Washer, Flat, 0.50 Std	8
25	33943	(000000-) Screw, Flt, M08 X 1.25 X 40, 10.9	1
26	07810	(000000-) Screw, Flt, M08 X 1.25 X 25, 10.9	7
27	07791	(000000-) Nut, Hex, Flng, M08 X 1.25	5
28	06969	(000000-) Screw, Hex, M12 X 1.75 X 40, 8.8	2
29	08711	(000000-) Nut, Hex, Lock, M12 X 1.75,NI	3
30	43611	(000000-) Washer, 0.39b 0.75d .06, Nyl	2
31	06943	(000000-) Screw, Hex, M 6 X 1.0 X 20, 8.8	2
32	08708	(000000-) Nut, Hex, Lock, M 6 X 1.0, NI	2
33	1010170	(000000-) Bumper Wldt, Cab Door	1
34	76099	(000000-) Screw, Hex, M 8 X 1.25 X 25, Fmg	3
35	12459	(000000-) Screw, Hex, M 6 X 1.0 X 20, Fmg	4
36	381962	(000000-) Handle, Container	1
37	09164	(000000-) Screw, Pan, M6 X 1.0 X 20, 4.8	2
38	59881	(000000-) Tube, 00.38d 00.28b 00.6l Stl	2
39	75430	(000000-) Tread, Non-skid, 02.2w 15.5l	1
40	32491	(000000-) Washer, Flat, 0.31, Std	3

Fig. 16 - Cab Electrical and Wiper Group

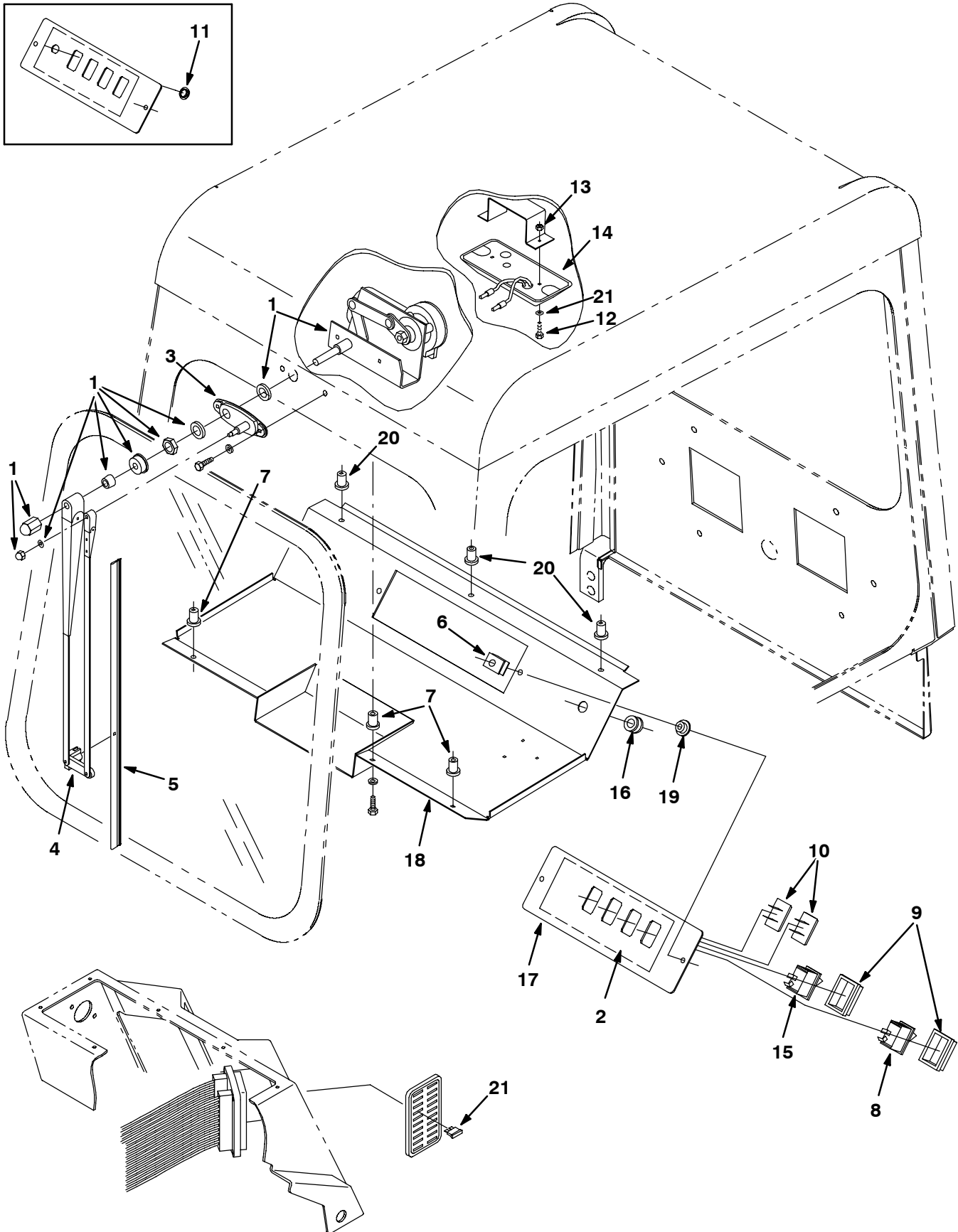


Fig. 16 - Cab Electrical and Wiper Group

NOTE: Cab Kit, TENNANT Part Number 377021, includes Fig. 13, Fig. 14, Fig. 15, Fig. 16, and Fig. 17.

Ref.	Part No.	Serial Number	Description	Qty.	
1	59803	(000000-) Motor, Ele, Wiper, 12vdc 68deg	1	
2	1012397	(000000-) Label, Opertnl, Cab	1	
2	1012361	(000000-) Label, Opertnl, Cab (W/AC)	1	
3	59797	(000000-) Kit, Wiper, Mtg, Plate	1	
4	59799	(000000-) Arm, Wiper, Windshield, [Panto]	1	
5	74433	(000000-) Blade, Wiper, Windshield 18.0	1	
6	12271	(000000-) Nut, U, M06 X 1.0	2	
7	41845	(000000-) Nut, Isolator, .25-20 Wall Thk .015-.094	3	
8	65553	(000000-) Switch, Rocker, 28vdc 15a Dpdt On/Of/On	1	
9	57807	(000000-) Cover, Seal, Rocker Switch	2	
10	57772	(000000-) Button, Plug, Switch, 1.45 X 0.83 Hole	2	
11	57167	(000000-009557) Button, Plug, 0.62h .03-.12 [Black Nyl]	1	
12	09206	(000000-) Screw, Hex, M 4 X 0.7 X 12, 8.8	2	
13	02850	(000000-) Nut, Hex, Lock, M 4 X 0.7, NI	2	
▽	14	55461	(000000-) Light, Dome, 12vdc, Rwk 58951	1
▲		72142	(000000-) Lamp, 12vdc Lamp, Dome [Speaker]	1
15	65561	(000000-) Switch, Rocker, 28vdc 15a Spst On/Of	1	
16	10632-12	(000000-) Grommet, Rbr, 0.38id, F/ 0.5h, .12matl	1	
17	71057	(000000-009557) Panel, Instmt, Cab	1	
17	1012357	009558-) Panel, Instmt, Cab [6600/6650]	1	
18	72049	(000000-) Cover Wldt, Roof, Cab, Front	1	
19	01047	(000000-) Bushing, Flng, 0.32b 0.75d 0.14l	2	
20	61913	(000000-) Nut, Isolator, .25-20 Wall Thk .031-.187	3	
21	19065	(000000-) Washer, Flat, #08	2	
22	762514	(000000-) Fuse, 15 Amp	1	

Fig. 17 - Cab Dust Kit

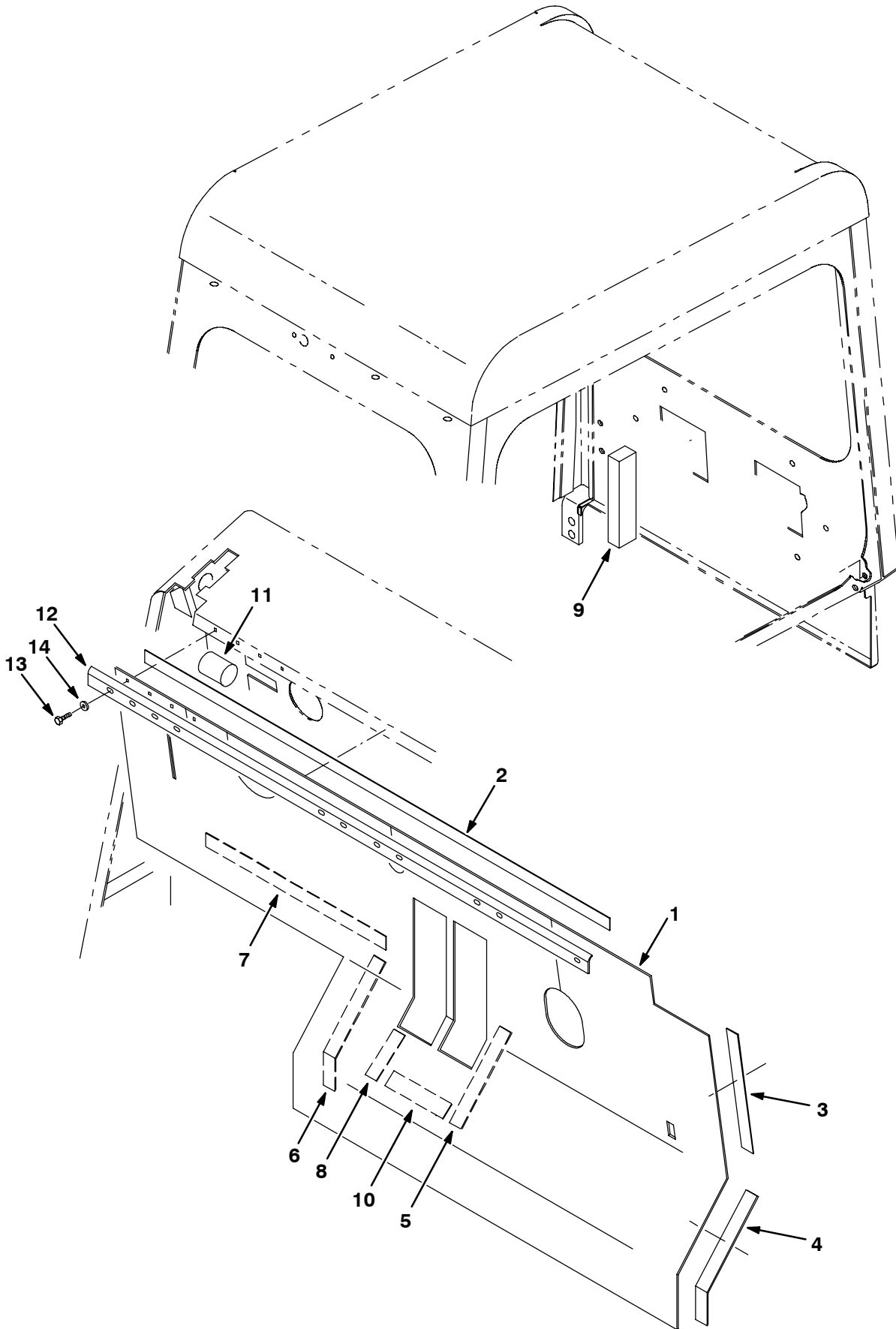


Fig. 17 - Cab Dust Kit

NOTE: Cab Kit, TENNANT Part Number 377021, includes Fig. 13, Fig. 14, Fig. 15, Fig. 16, and Fig. 17.

	Ref.	Part No.	Serial Number	Description	Qty.
▽		370115	(000000-) Kit, Dust, Cab, [385/355]	1
▲	1	370116	(000000-) Skirt, Firewall, Rh	1
▲	2	370117	(000000-) Fastener, [Hook & Loop], 45.00l	1
▲	3	370118	(000000-) Fastener, [Hook & Loop], 09.75l	1
▲	4	370119	(000000-) Fastener, [Hook & Loop], 11.00l	1
▲	5	370120	(000000-) Fastener, [Hook & Loop], 15.00l	1
▲	6	370121	(000000-) Fastener, [Hook & Loop], 12.00l	1
▲	7	370122	(000000-) Fastener, [Hook & Loop], 16.50l	1
▲	8	370129	(000000-) Fastener, [Hook & Loop], 03.25l	1
▲	9	370124	(000000-) Insulation, Acstc, 1.0 01.5w 06.8l	1
▲	10	370130	(000000-) Fastener, [Hook & Loop], 05.19l	1
▲	11	370125	(000000-) Seal, Rbr, Clsd, 1.50d 39.9l	2
▲	12	370159	(000000-) Strip, Steel	1
▲	13	12459	(000000-) Screw, Hex, M 6 X 1.0 X 20, Fmg	11
▲	14	01684	(000000-) Washer, Flat, 0.25 Ss	11

Fig. 18 - Cab Vent and Duct Group

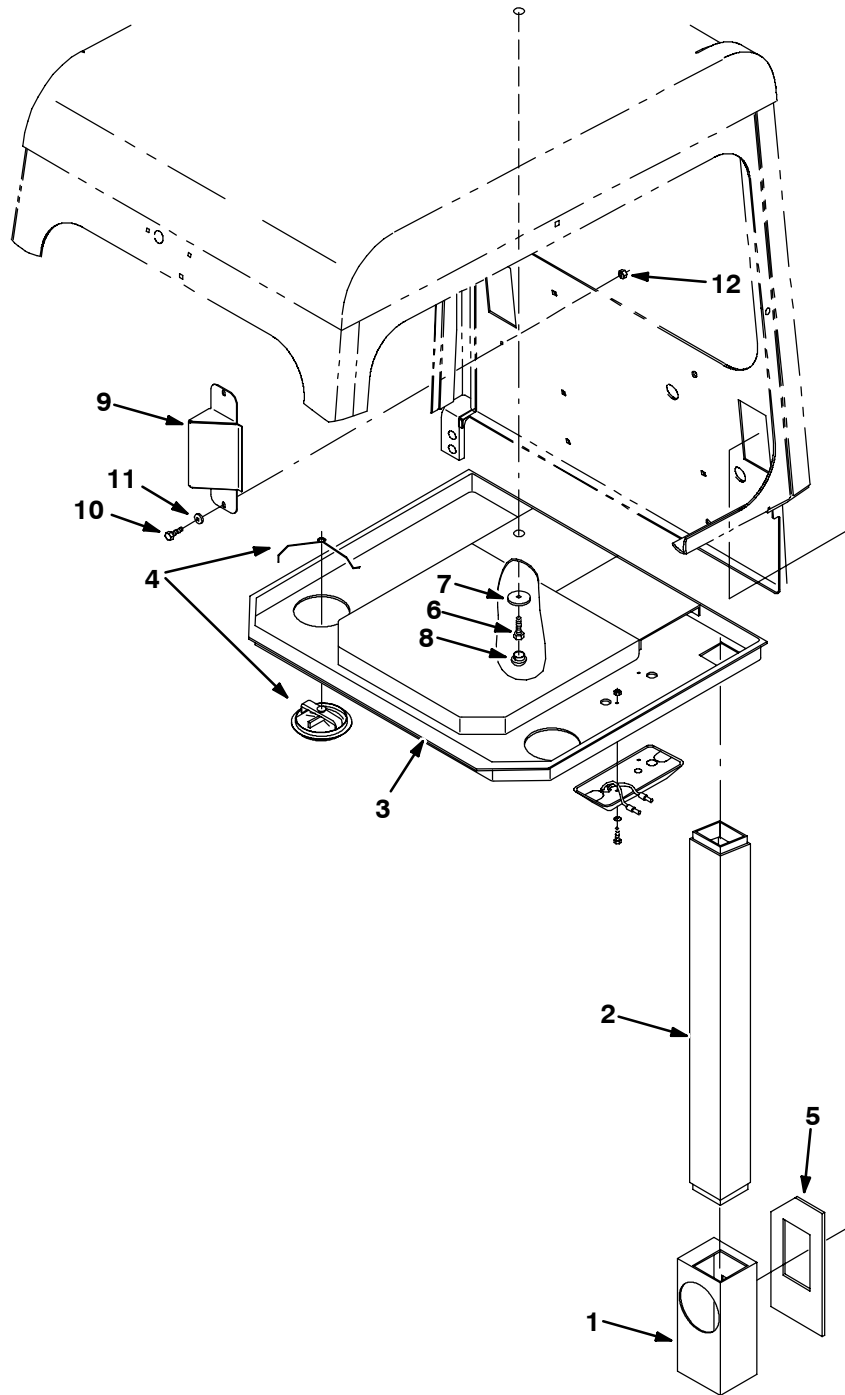


Fig. 18 - Cab Vent and Duct Group

	Ref.	Part No.	Serial Number	Description	Qty.
▽		1011902	(000000-) Duct, Air Pkg	1
▲	1	393392	(000000-) Duct, Transition, Windowside	1
▲	2	393394	(000000-) Duct, Upright, Windowside, 23.8l	1
▲	3	9000266	(000000-) Liner, Head, Plenum	1
▲	4	393396	(000000-) Diffuser, Air	5
	5	375306	(000000-) Spacer, Duct	2
	6	24592	(000000-) Screw, Hex, #10-24 X 0.75, Fmg	1
	7	41178	(000000-) Washer, Flat, 0.25 Fender	1
	8	57167	(000000-) Button, Plug, 0.62h .03-.12 [Blk Nyl]	1
	9	1011492	(000000-) Channel, Vent, Heater	1
	10	24199	(000000-) Screw, Hex, M5 X 0.8 X 16, Ss	2
	11	01683	(000000-) Washer, Flat, #10 Ss	2
	12	06549	(000000-) Nut, Hex, Lock, M5 X 0.8, NI	2

Fig. 19 - Heater and Pressurizer Group (000000-009999)

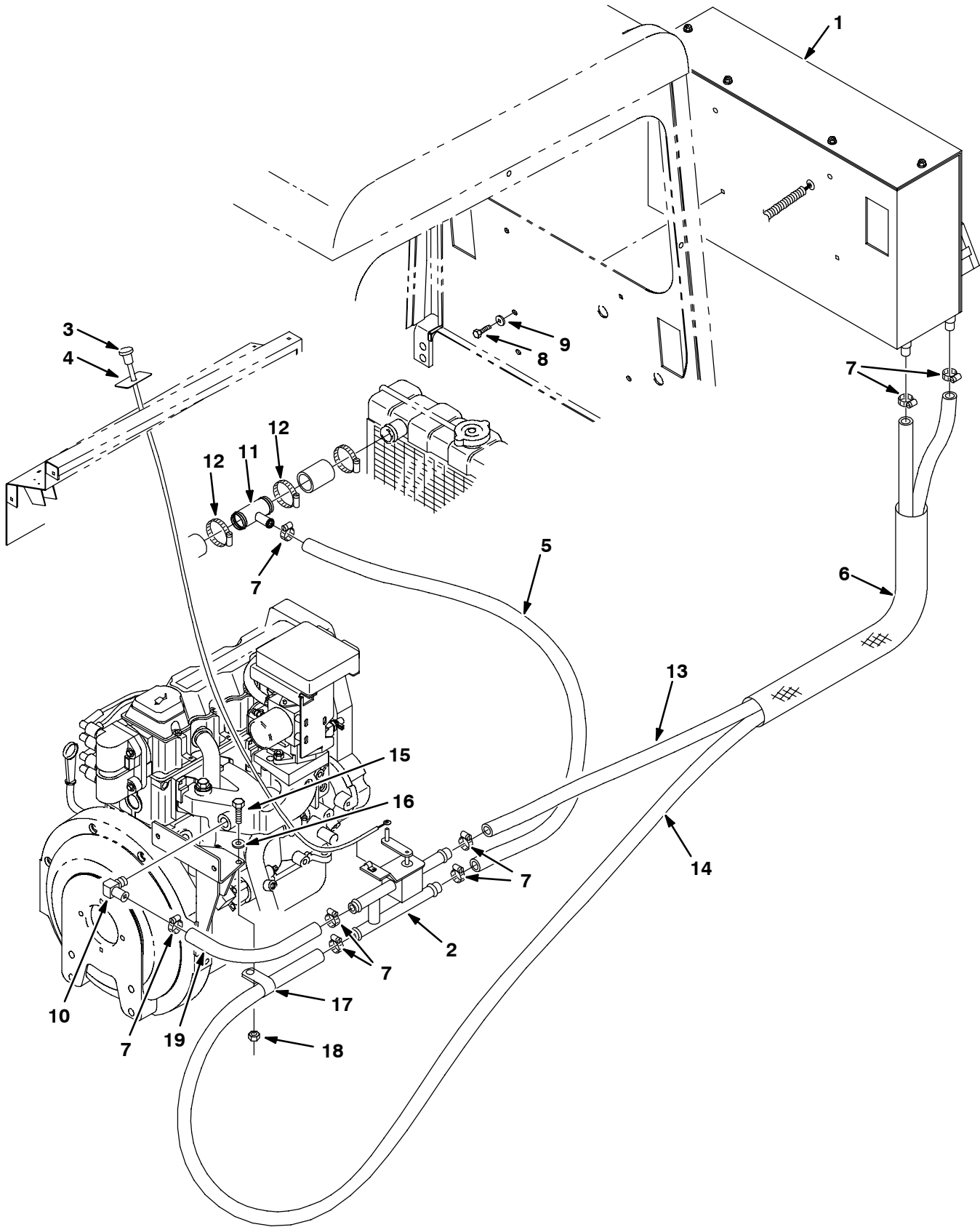


Fig. 19 - Heater and Pressurizer Group (000000-009999)

Ref.	Part No.	Serial Number	Description	Qty.
1	1010757	(000000-009999)	Housing Assy, Heater/Press. [6600/6650] (See Break-downs)	1
2	380618	(000000-009999)	Valve, Water, Heater, H, 10bm	1
3	393355	(000000-009999)	Cable Assy, Push-Pull	1
4	393356	(000000-009999)	Label, Opertnl, Heat On-Off	1
5	61870	(000000-009999)	Hose, Heater, 0.62id 31.0l	1
6	367987	(000000-009999)	Sleeve, Nyl, #33 60.0l	1
7	63810	(000000-009999)	Clamp, Hose, Wormdrive, 0.56-1.06d	8
8	76955	(000000-009999)	Screw, Hex, .31-18 X 1.00, 5	4
9	32491	(000000-009999)	Washer, Flat, 0.31 Std	4
10	1010653	(000000-009999)	Ftg, Brs, Pm10/Bm	1
11	1010657	(000000-009999)	Tube, Wldt, Tee	1
12	22297	(000000-009999)	Clamp, Hose, Wormdrive, 1.56-2.50d	2
13	13122	(000000-009999)	Hose, Heater, 0.62id 61.0l	1
14	393369	(000000-009999)	Hose, Heater, 0.62id 84.0l	1
15	16931	(000000-009999)	Screw, Hex, M 8 X 1.25 X 20, 8.8	1
16	39349	(000000-009999)	Washer, Flat, 0.31 Sae	1
17	69234	(000000-009999)	Clamp, Cable, Stl, 1.00d X 0.62w, 1h	1
18	07791	(000000-009999)	Nut, Hex, FIng, M08 X 1.25	1
19	1010688	(000000-009999)	Hose, Heater	1

Fig. 20 - Heater and Pressurizer Group (010000-)

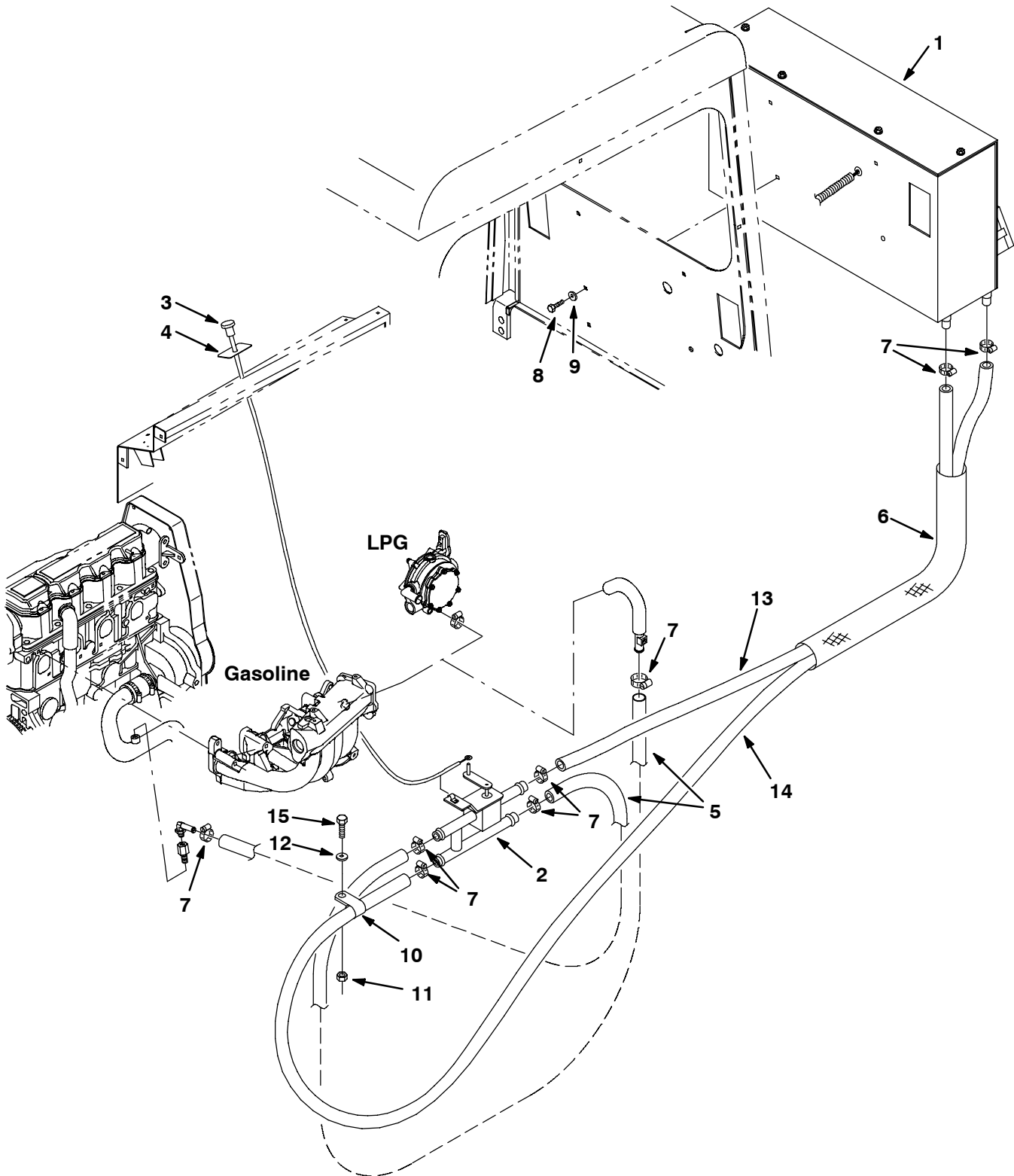


Fig. 20 - Heater and Pressurizer Group (010000-)

Ref.	Part No.	Serial Number	Description	Qty.
1	1010757	(010000-) Housing Assy, Heater/Press. [6600/6650] (See Break-downs)	1
2	380618	(010000-) Valve, Water, Heater, H, 10bm	1
3	393355	(010000-) Cable Assy, Push-Pull	1
4	393356	(010000-) Label, Opertnl, Heat On-Off	1
5	31543	(010000-) Hose, Heater, E90, 0.62ld 24.0 4.0 (Gasoline only)	2
5	372528	(010000-) Hose, Mold, .62 To .75 (LPG only)	2
6	367987	(010000-) Sleeve, Nyl, #33 60.0l	1
7	63810	(010000-) Clamp, Hose, Wormdrive, 0.56-1.06d	8
8	76955	(010000-) Screw, Hex, .31-18 X 1.00, 5	4
9	32491	(010000-) Washer, Flat, 0.31 Std	4
10	69234	(010000-) Clamp, Cable, Stl, 1.00d X 0.62w, 1h	1
11	07791	(010000-) Nut, Hex, Flng, M08 X 1.25	1
12	39349	(010000-) Washer, Flat, 0.31 Sae	1
13	31750	(010000-) Hose, Heater, 0.62id 70.0l	1
14	393369	(010000-) Hose, Heater, 0.62id 84.0l	1
15	16931	(010000-) Screw, Hex, M 8 X 1.25 X 20, 8.8	1

Fig. 21 - Air Conditioning and Heater Group (000000-009999)

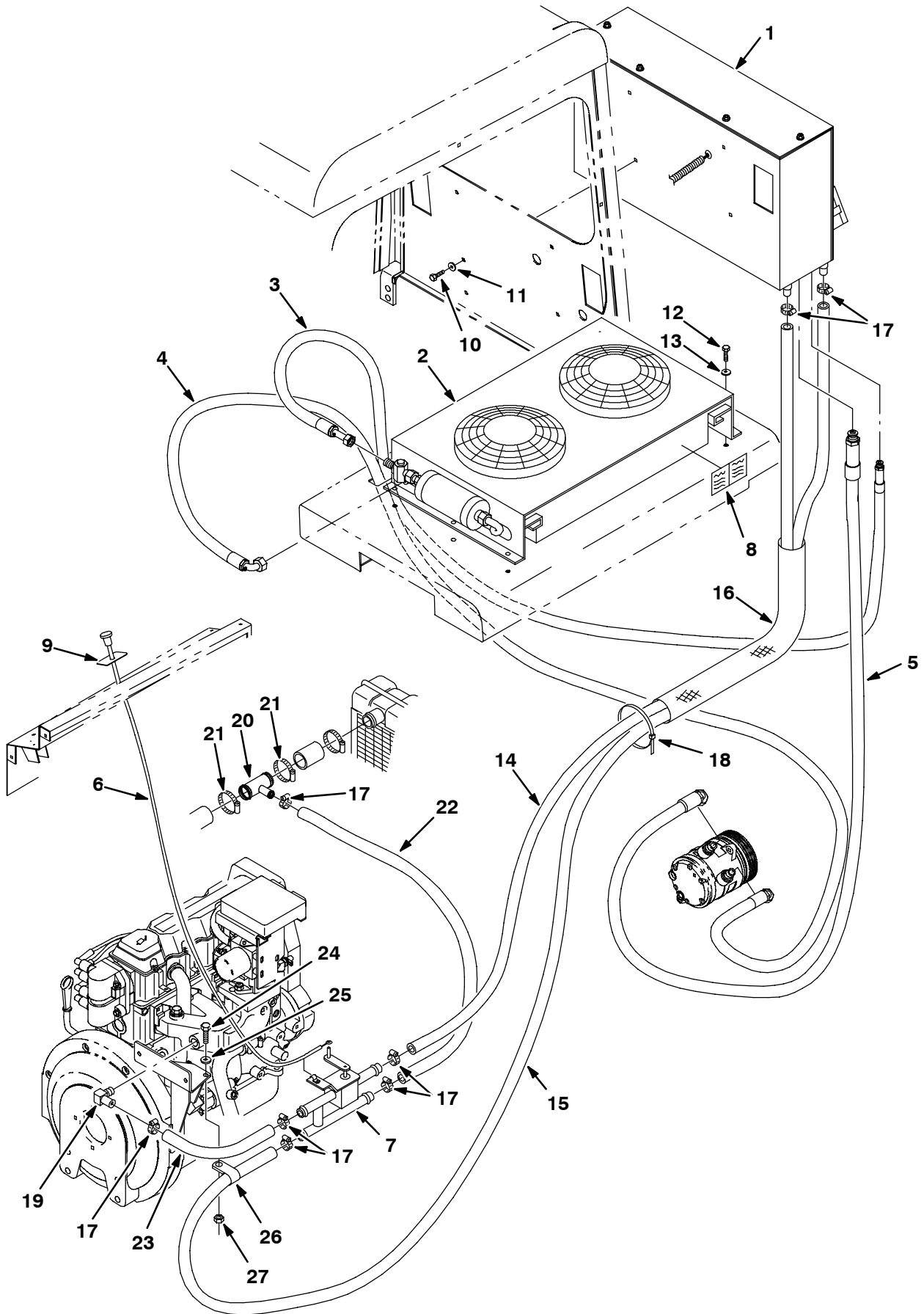


Fig. 21 - Air Conditioning and Heater Group (000000-009999)

Ref.	Part No.	Serial Number	Description	Qty.
1	1010755	(000000-009999)	Housing Assy, Heater/Ac [6600/6650] (See Breakdowns)	1
2	393340	(000000-009999)	Condenser Assy, A/C, W /Fan [R134] (See Breakdowns)	1
3	377295	(000000-009999)	Hose, A/C, Liq, Reducer	1
4	377296	(000000-009999)	Hose, A/C, Discharge, Reducer	1
5	377297	(000000-009999)	Hose, A/C, Suc, Reducer	1
6	393355	(000000-009999)	Cable Assy, Push-Pull	1
7	380618	(000000-009999)	Valve, Water, Heater, H, 10bm	1
8	393362	(000000-009999)	Label, Spec, A/C	1
9	393356	(000000-009999)	Label, Opertnl, Heat On-Off	1
10	76955	(000000-009999)	Screw, Hex, .31-18 X 1.00, 5	4
11	32491	(000000-009999)	Washer, Flat, 0.31 Std	4
12	24593	(000000-009999)	Screw, Hex, .25-20 X 0.50, Fmg	4
13	19066	(000000-009999)	Washer, Flt, #10	4
14	13122	(000000-009999)	Hose, Heater, 0.62id 61.0l	2
15	393369	(000000-009999)	Hose, Heater, 0.62id 84.0l	1
16	367987	(000000-009999)	Sleeve, Nyl, #33 60.0l	1
17	63810	(000000-009999)	Clamp, Hose, Wormdrive, 0.56-1.06d	8
18	763116	(000000-009999)	Tie, Cable, Nyl, 15.3l . W 4.5 Max D	6
19	1010653	(000000-009999)	Ftg, Brs, Pm10/Bm	2
20	1010657	(000000-009999)	Tube, Wldt, Tee	1
21	22297	(000000-009999)	Clamp, Hose, Wormdrive, 1.56-2.50d	2
22	61870	(000000-009999)	Hose, Heater, 0.62id 31.0l	1
23	1010688	(000000-009999)	Hose, Heater	1
24	16931	(000000-009999)	Screw, Hex, M 8 X 1.25 X 20, 8.8	1
25	39349	(000000-009999)	Washer, Flat, 0.31 Sae	1
26	69234	(000000-009999)	Clamp, Cable, Stl, 1.00d X 0.62w, 1h	1
27	07791	(000000-009999)	Nut, Hex, Fmg, M08 X 1.25	1

Fig. 22 - Air Conditioning and Heater Group (010000-)

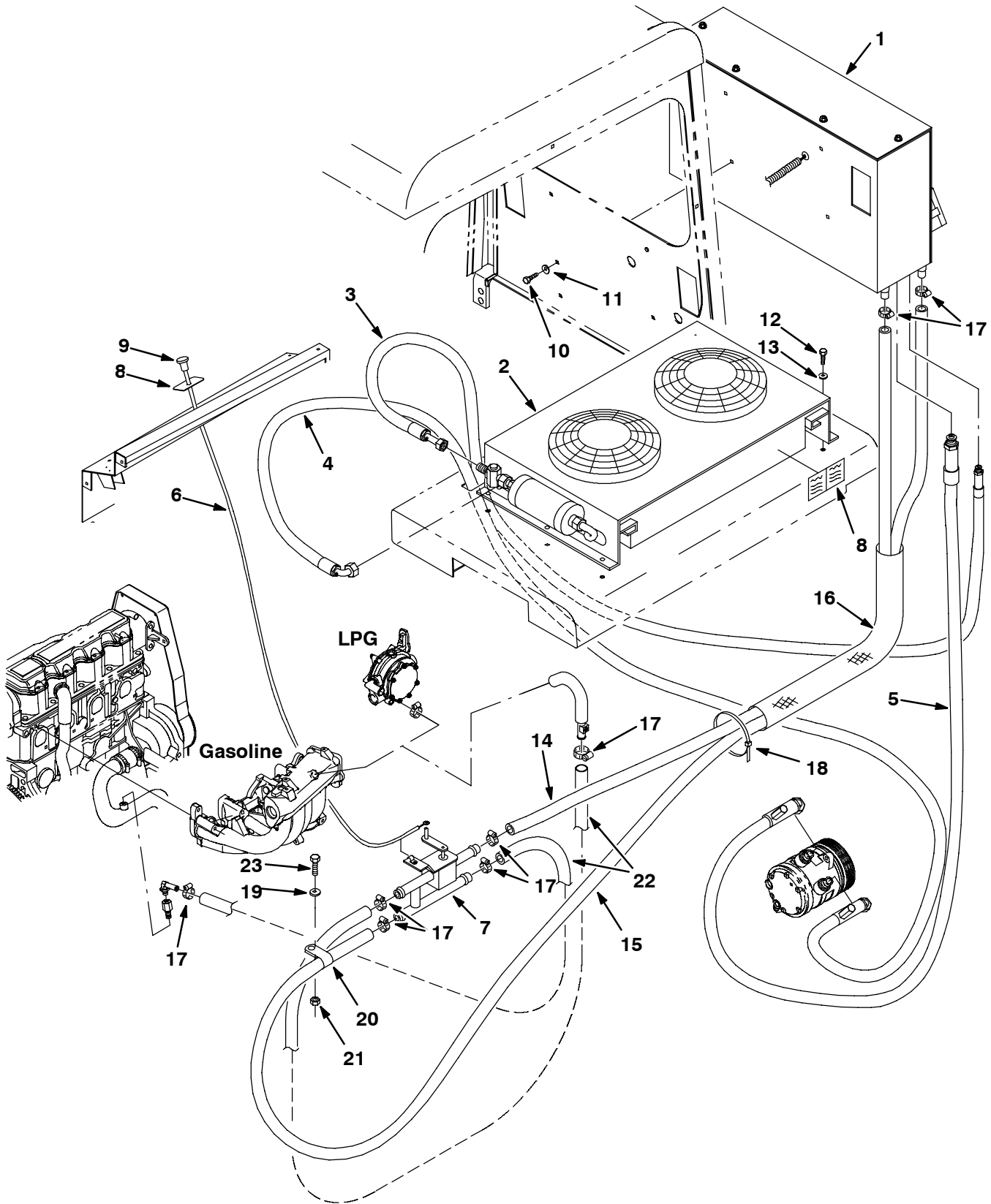


Fig. 22 - Air Conditioning and Heater Group (01000-)

Ref.	Part No.	Serial Number	Description	Qty.
1	1010755	(01000-) Housing Assy, Heater/Ac [6600/6650] (See Breakdowns)	1
2	393340	(01000-) Condenser Assy, A/C, W /Fan [R134] (See Breakdowns)	1
3	377295	(01000-) Hose, A/C, Liq, Reducer	1
4	1015585	(01000-) Hose, A/C, 10 67.0l Str E90 [R134]	1
5	1015584	(01000-) Hose, A/C, 08 53.0l E90 E90 [R134]	1
6	393355	(01000-) Cable Assy, Push-Pull	1
7	380618	(01000-) Valve, Water, Heater, H, 10bm	1
8	393362	(01000-) Label, Spec, A/C	1
9	393356	(01000-) Label, Opertnl, Heat On-Off	1
10	76955	(01000-) Screw, Hex, .31-18 X 1.00, 5	4
11	32491	(01000-) Washer, Flat, 0.31 Std	4
12	06942	(01000-) Screw, Hex, M6 X 1.0 X 16, 8.8	4
13	32483	(01000-) Washer, Flat, 0.25 Sae	4
14	31750	(01000-) Hose, Heater, 0.62id 70.0l	2
15	393369	(01000-) Hose, Heater, 0.62id 84.0l	1
16	367987	(01000-) Sleeve, Nyl, #33 60.0l	1
17	63810	(01000-) Clamp, Hose, Wormdrive, 0.56-1.06d	8
18	763116	(01000-) Tie, Cable, Nyl, 15.3l . W 4.5 Max D	6
19	39349	(01000-) Washer, Flat, 0.31 Sae	1
20	69234	(01000-) Clamp, Cable, Stl, 1.00d X 0.62w, 1h	1
21	07791	(01000-) Nut, Hex, Flng, M08 X 1.25	1
22	31543	(01000-) Hose, Heater, E90, 0.62ld 24.0 4.0 (Gasoline only)	2
22	372528	(01000-) Hose, Mold, .62 To .75 (LPG only)	2
23	16931	(01000-) Screw, Hex, M 8 X 1.25 X 20, 8.8	1

Fig. 23 - Air Conditioning Compressor Group (00000-009999)

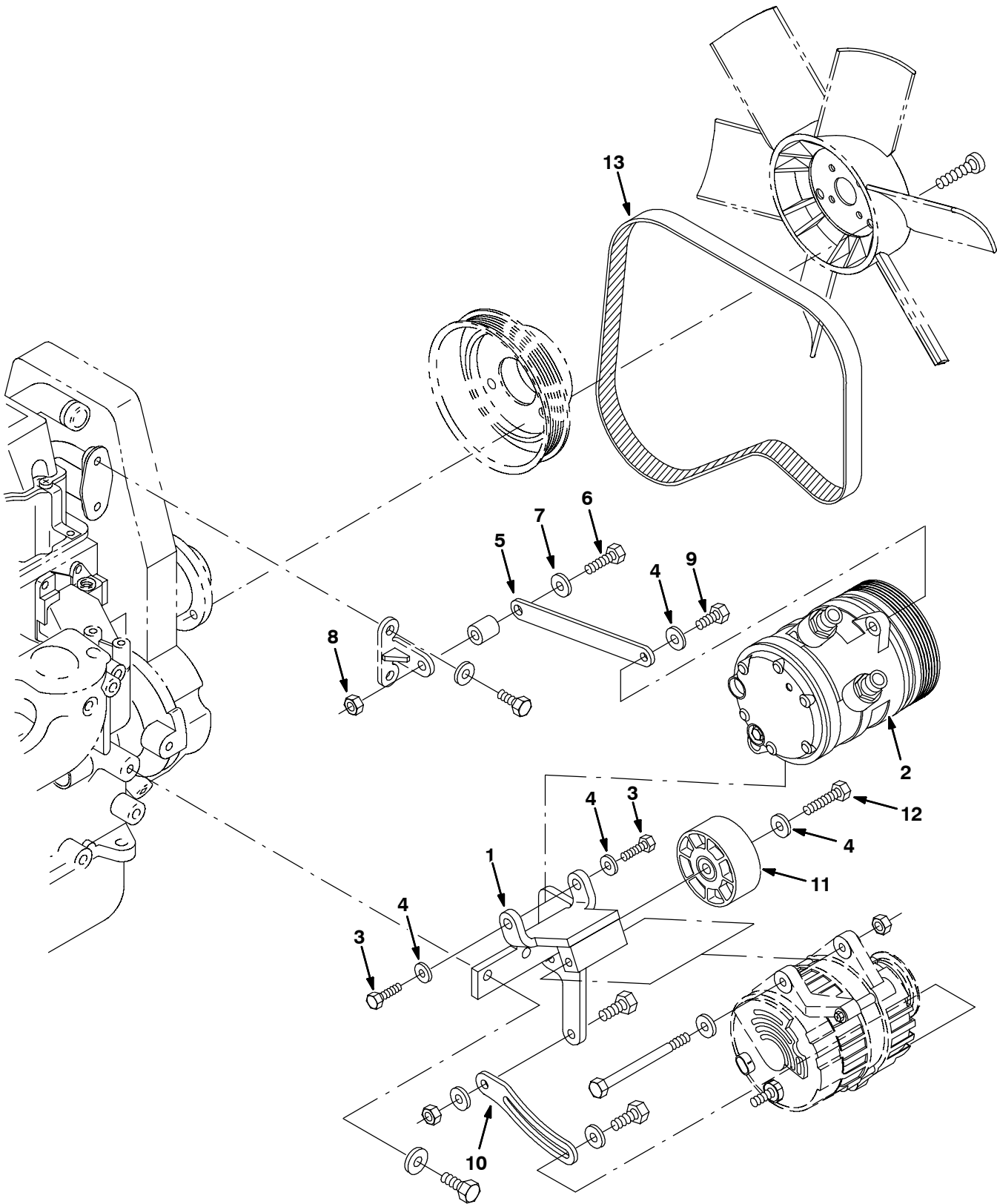


Fig. 23 - Air Conditioning Compressor Group (000000-009999)

Ref.	Part No.	Serial Number	Description	Qty.
1	1008164	(000000-009999)	Bracket Wldt, A/C And Alternator	1
2	1006321	(000000-009999)	Compressor, A/C, W/6v Pulley	1
3	58286	(000000-009999)	Screw, Hex, M10 X 1.25 X 20, 8.8	2
4	32485	(000000-009999)	Washer, Flat, .38 Sae	4
5	1009836	(000000-009999)	Arm, Compressor	1
6	06956	(000000-009999)	Screw, Hex, M 8 X 1.25 X 45, 8.8	1
7	39349	(000000-009999)	Washer, Flat, 0.31 Sae	1
8	08713	(000000-009999)	Nut, Hex, Lock, M 8 X 1.25, Ni, Ss	1
9	58286	(000000-009999)	Screw, Hex, M10 X 1.25 X 20, 8.8	1
10	1009544	(000000-009999)	Arm, Adj, Alternator	1
11	41372	(000000-009999)	Sheave, Flat, 3.0d 1.00w, Brg, 0.38b	1
12	27988	(000000-009999)	Screw, Hex, .38-16 X 1.50, 5	1
13	1009732	(000000-009999)	Belt, V	1

Fig. 24 - Air Conditioning Compressor Group (010000-)

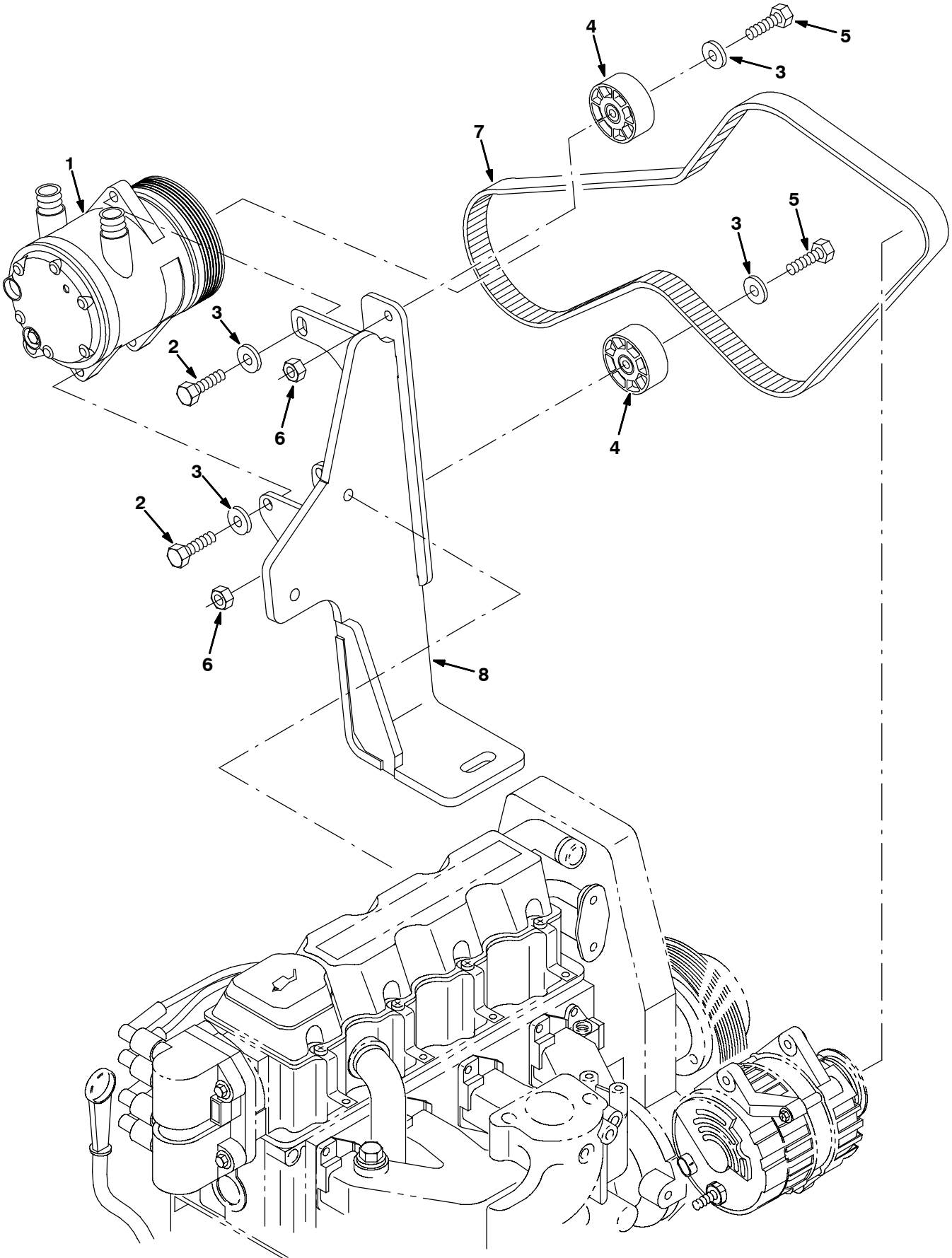


Fig. 24 - Air Conditioning Compressor Group (010000-)

Ref.	Part No.	Serial Number	Description	Qty.
1	1006321	(010000-) Compressor, A/C, 6v Pully [134][Tm-08hd]	1
2	58286	(010000-) Screw, Hex, M10 X 1.25 X 20, 8.8	3
3	32485	(010000-) Washer, Flat, 0.38 Sae	5
4	41372	(010000-) Sheave, Flat, 3.0d 1.00w, Brg, 0.38b	2
5	27990	(010000-) Screw, Hex, .38-16 X 2.00, 5	2
6	50902	(010000-) Nut, Hex, Lock, .38-16, NI	2
7	1015355	(010000-) Belt, V	1
8	1014551	(010000-) Mount Wldt, Eng, Gas/Lpg	1

Fig. 25 - Air Conditioning Engine Cover Group

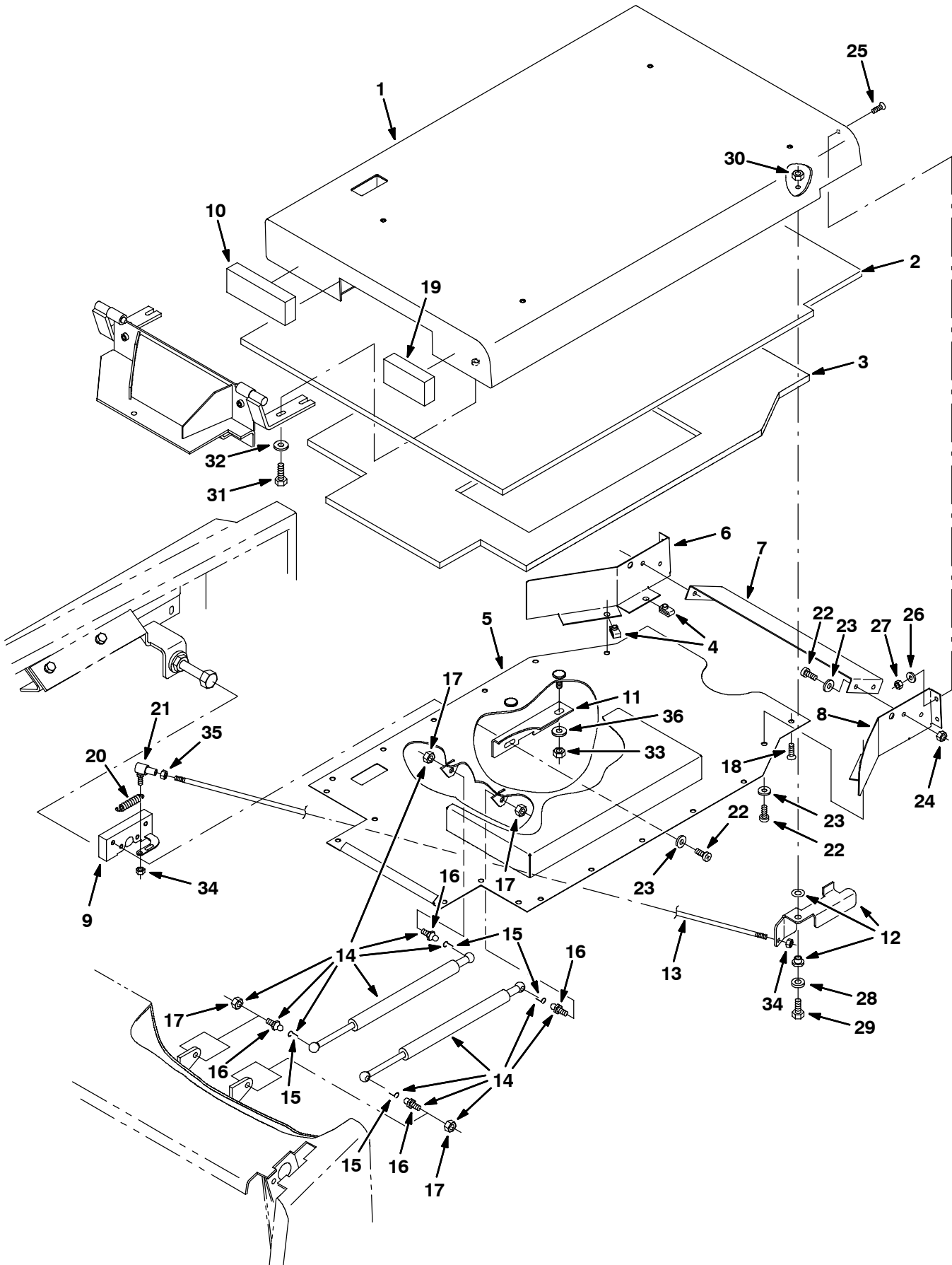
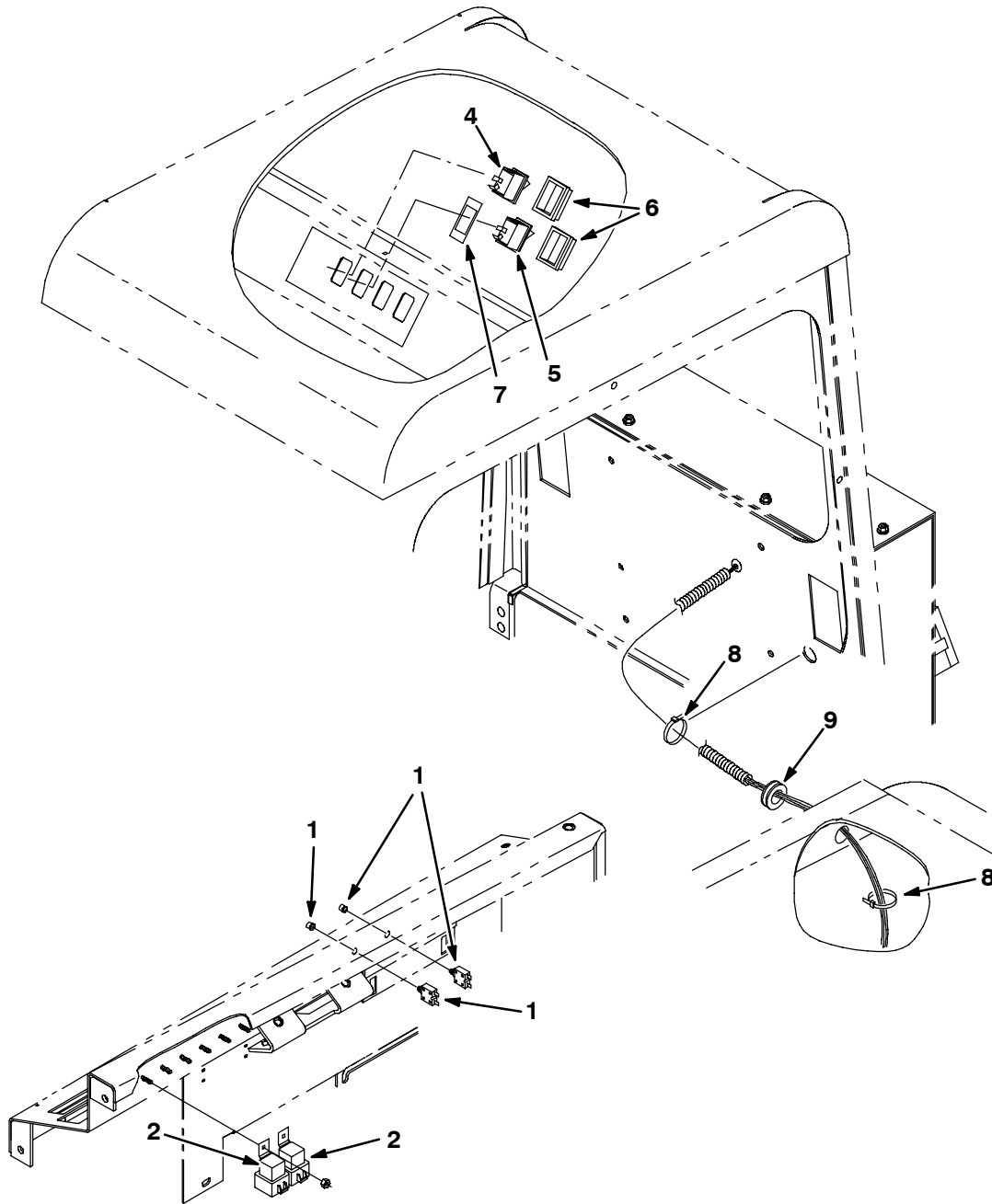


Fig. 25 - Air Conditioning Engine Cover Group

Ref.	Part No.	Serial Number	Description	Qty.	
1	1010267	(000000-) Door Wldt, Eng, Top	1	
2	59019	(000000-) Insulation, Acstc, 0.8 26.0w 36.3l	1	
3	58999	(000000-014999) Insulation, Acstc, Cover, Eng, Bottom	1	
3	1035090	(015000-) Insulation, Cover, Eng, Bottom [2007]	1	
4	12271	(000000-) Nut, U, M06 X 1.0	20	
5	1014084	(000000-014999) Plate Wldt, Cover, Eng	1	
5	1033100	(015000-) Plate Wldt, Cover, Eng, Metal [2007]	1	
6	69952	(000000-) Plate	1	
7	58849	(000000-) Bracket, Deflector, Cover, Eng	1	
8	69951	(000000-) Plate	1	
9	59514	(000000-) Latch	1	
10	69986	(000000-) Insulation, Acstc, 1.0 02.0w 05.8l	1	
11	70142	(000000-) Bracket, Latch, Eng Cover	1	
12	69907	(000000-) Handle Assy, Latch, Eng Cover	1	
13	55048	(000000-) Rod	1	
▽	14	69906	(000000-) Gasspring Assy, Eng Cover	2
▲	15	64595	(000000-) Clip, Safety, Gasspring	2
▲	16	58494	(000000-) Stud, Ball, .39d .31-16, Gasspring	2
▲	17	01760	(000000-) Nut, Hex, Lock, .31-18, NI, Thin	2
	18	09062	(000000-) Screw, Flt, M06 X 1.0 X 16, 10.9	2
	19	69987	(000000-) Insulation, Acstc, 1.0 02.0w 04.0l	1
	20	53091	(000000-) Spring, Extn, 0.50od X 0.06wir, 1.8l	1
	21	14601	(000000-) Balljoint, .25-28 Fem/.25-28mal	1
	22	09145	(000000-) Screw, Pan, M 6 X 1.0 X 16, 4.8	24
	23	32483	(000000-) Washer, Flat, 0.25 Sae	24
	24	08708	(000000-) Nut, Hex, Lock, M 6 X 1.0, NI	4
	25	09120	(000000-) Screw, Flt, M05 X 0.8 X 16, 10.9	4
	26	19066	(000000-) Washer, Flt, #10	4
	27	06549	(000000-) Nut, Hex, Lock, M 5 X 0.8, NI	4
	28	32490	(000000-) Washer, Flat, 0.25 Std	3
	29	16931	(000000-) Screw, Hex, M 8 X 1.25 X 20, 8.8	1
	30	08709	(000000-) Nut, Hex, Lock, M 8 X 1.25 NI	4
	31	39277	(000000-) Screw, Hex, M 8 X 1.25 X 25, 8.8	4
	32	41186	(000000-) Washer, Belleville, .31	4
	33	41430	(000000-) Nut, Hex, Lock, M10 X 1.5, NI	2
	34	18390	(000000-) Nut, Hex, Lock, .25-28, NI, Thin	2
	35	32899	(000000-) Nut, Hex, Jam, .25-28	1
	36	32492	(000000-) Washer, Flat, 0.38 Std	2

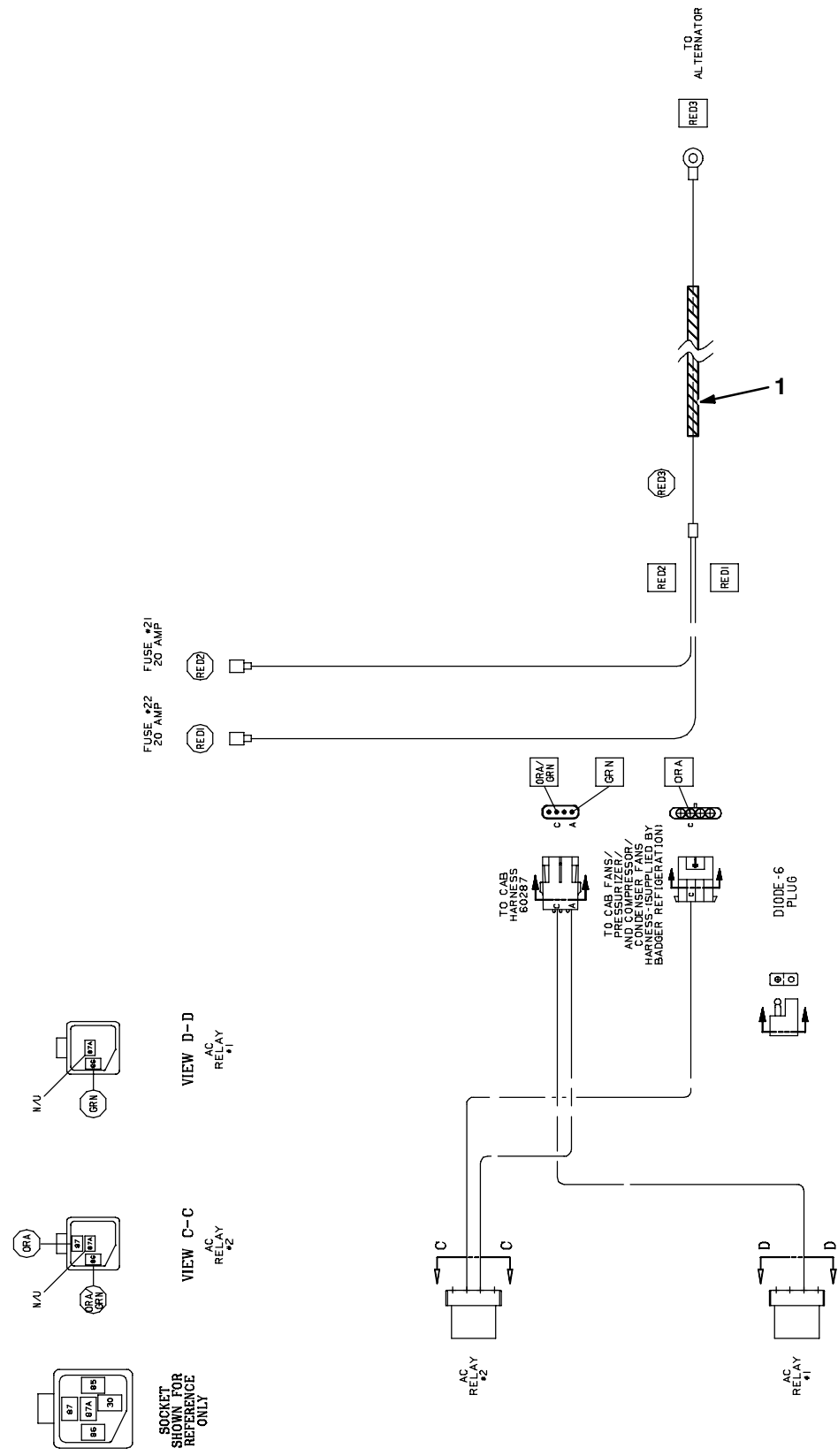
Fig. 26 - Air Conditioning and Heater Electrical Group



354022 - 6600, 6650

Ref.	Part No.	Serial Number	Description	Qty.
1	383723	(000000-) Circuitbreaker, 20.0a, Resetable	2
2	56186	(000000-) Relay, 12vdc, 40a, Spdt N/O [Potter]	2
3	08708	(000000-) Nut, Hex, Lock, M6 X 1.0, NI	2
4	65553	(000000-) Switch, Rocker, 28vdc 15a Dpdt On/Of/On	1
5	65561	(000000-) Switch, Rocker, 28vdc 15a Spst On/Of	1
6	57807	(000000-) Cover, Seal, Rocker Switch	2
7	393363	(000000-) Label, Info, A/C, On-Off	1
8	49263	(000000-) Tie, Cable, Nyl, 11.4l .19w 3.0 Max D	10
9	10632-18	(000000-) Grommet, Rbr, 0.69id, F/ 0.1h, .25matl	1

Fig. 27 - Air Conditioning and Heater Wire Harness Group



354022 - 6600, 6650

Ref.	Part No.	Serial Number	Description	Qty.
1	377098	(000000-) Harness, A/C, Heater [6600/6650]	2

Fig. 28 - Blower Wand Group

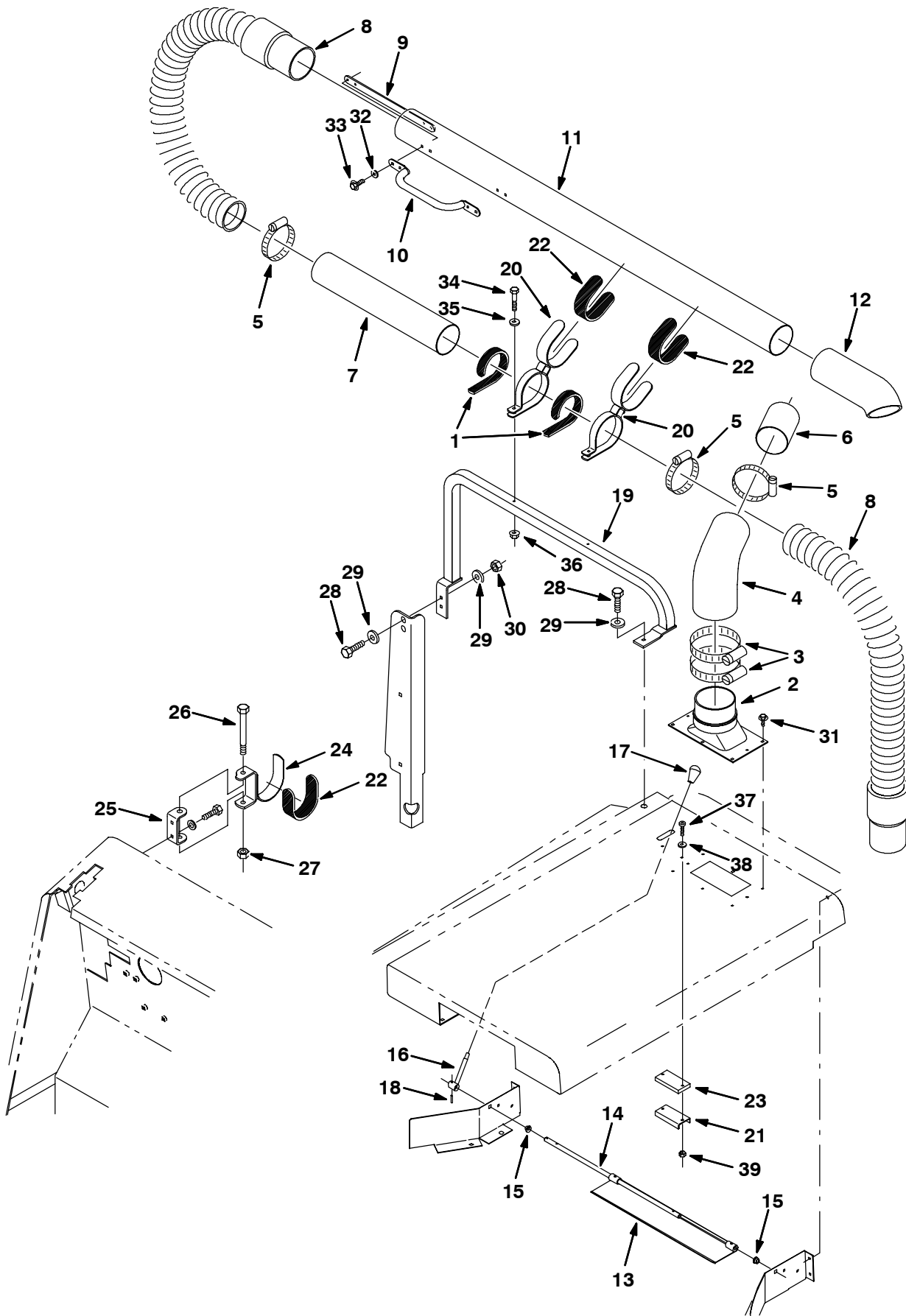


Fig. 28 - Blower Wand Group

NOTE: Blower Wand Kit, TENNANT Part Number 377067 (000000-009999), includes Fig. 28 and Fig. 30.

NOTE: Blower Wand Kit, TENNANT Part Number 9000774(010000-), includes Fig. 28 and Fig. 30.

Ref.	Part No.	Serial Number	Description	Qty.
1	71025	(000000-) Strip, Rbr, 0.13 00.75w 10.3l	2
2	72143	(000000-) Duct, Blower Wand	1
3	23498	(000000-) Clamp, Hose, Wormdrive, 3.56-4.50d	2
4	59919	(000000-) Hose, Rbr, E90 3.00id 3.50id 03.5 3.3	1
5	43555	(000000-) Clamp, Hose, Wormdrive, 1.62-3.50d	3
6	53894	(000000-) Tube, Plstc, 3.00d 2.90b 04.0l Clear	1
7	53883	(000000-) Tube, Plstc, 3.00d 2.90b 16.0l Clear	1
8	64320	(000000-) Hose Assy, W/1cuff, 3.0d, 24l, 3.0/	2
9	69937	(000000-) Plate, Backing, Handle	1
10	32822	(000000-) Handle	1
11	53895	(000000-) Tube, Plstc, 3.00d 2.90b 48.0l Clear	1
12	59104	(000000-) Hose, Rbr	1
13	59012	(000000-) Plate Wldt, Blower Wand	1
14	59013	(000000-) Pin, 0.38d 17.2l 1/.10h 2/M04 X 0.7h	1
15	63469-3	(000000-) Bushing, Snap In, 0.38b 0.31d .14t Nyl	2
16	58881	(000000-) Lever	1
17	69955	(000000-) Knob, Tpr, 1.00d 1.63l M08x1.25 Plstc	1
18	23999-6	(000000-) Pin, Roll, .090 D X 0.75l, .094/.097	1
19	69923	(000000-) Tube Wldt, Sppt, Blower Wand	1
20	55489	(000000-) Clamp Wldt, Tube, Blower Wand	2
21	63378	(000000-) Magnet	1
22	69981	(000000-) Strip, Rbr, 0.13 01.25w 08.8l	3
23	69953	(000000-) Plate	1
24	74438	(000000-) Bracket Wldt, Sppt, Blower	1
25	74439	(000000-) Bracket, Mtg, Tube, Blower Wand	1
26	34877	(000000-) Screw, Hex, M10 X 1.5 X 100, 8.8	1
	59768	(000000-) Label Set, Opertnl	1
27	41430	(000000-) Nut, Hex, Lock, M10 X 1.5, NI	1
28	41346	(000000-) Screw, Hex, M12 X 1.75 X 30, 8.8	3
29	32486	(000000-) Washer, Flat, 0.50 Sae	7
30	08711	(000000-) Nut, Hex, Lock, M12 X 1.75,NI	2
31	24593	(000000-) Screw, Hex, .25-20 X 0.50, Fmg	6
32	01683	(000000-) Washer, Flat, #10 Ss	4
33	12459	(000000-) Screw, Hex, M 6 X 1.0 X 20, Fmg	4
34	06949	(000000-) Screw, Hex, M 6 X 1.0 X 50, 8.8	2
35	32483	(000000-) Washer, Flat, 0.25 Sae	2
36	07790	(000000-) Nut, Hex, Flng, M06 X 1.0	2
37	24198	(000000-) Screw, Pan, M 5 X 0.8 X 25, Ss	2
38	19066	(000000-) Washer, Flt, #10	2
39	06549	(000000-) Nut, Hex, Lock, M 5 X 0.8, NI	2

Fig. 29 - Blower Wand Group, Overhead Guard

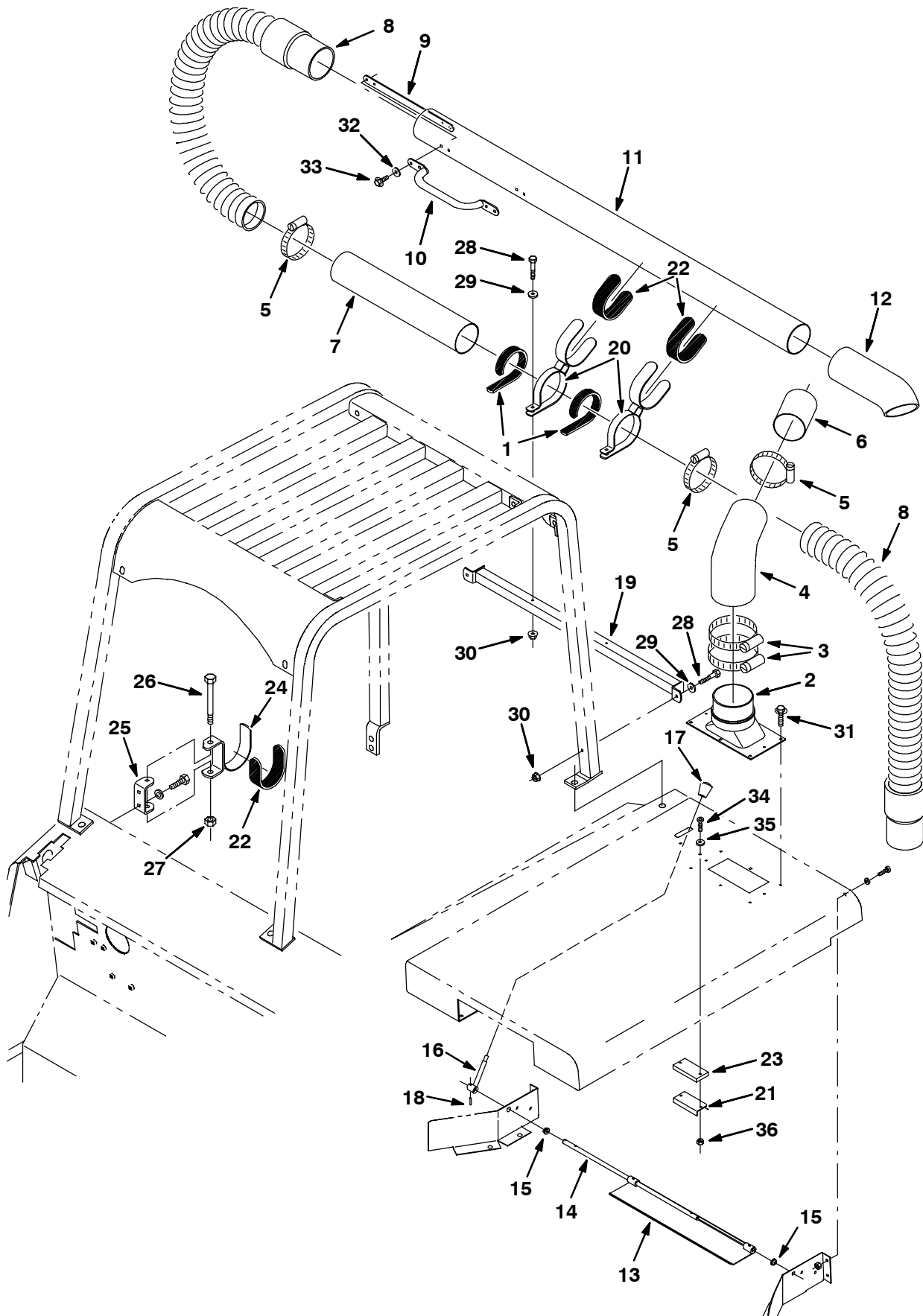


Fig. 29 - Blower Wand Group, Overhead Guard

NOTE: Blower Wand Kit, TENNANT Part Number 377093 (000000-009999), includes Fig. 29 and Fig. 30.

NOTE: Blower Wand Kit, TENNANT Part Number 9000775 (010000-), includes Fig. 29 and Fig. 30.

Ref.	Part No.	Serial Number	Description	Qty.
1	71025	(000000-) Strip, Rbr, 0.13 00.75w 10.3l	2
2	72143	(000000-) Duct, Blower Wand	1
3	23498	(000000-) Clamp, Hose, Wormdrive, 3.56-4.50d	2
4	59919	(000000-) Hose, Rbr, E90 3.00id 3.50id 03.5 3.3	1
5	43555	(000000-) Clamp, Hose, Wormdrive, 1.62-3.50d	3
6	53894	(000000-) Tube, Plstc, 3.00d 2.90b 04.0l Clear	1
7	53883	(000000-) Tube, Plstc, 3.00d 2.90b 16.0l Clear	1
8	64320	(000000-) Hose Assy, W/1cuff, 3.0d, 24l, 3.0/	2
9	69937	(000000-) Plate, Backing, Handle	1
10	32822	(000000-) Handle	1
11	53895	(000000-) Tube, Plstc, 3.00d 2.90b 48.0l Clear	1
12	59104	(000000-) Hose, Rbr	1
13	59012	(000000-) Plate Wldt, Blower Wand	1
14	59013	(000000-) Pin, 0.38d 17.2l 1/.10h 2/M04 X 0.7h	1
15	63469-3	(000000-) Bushing, Snap In, 0.38b 0.31d .14t Nyl	2
16	58881	(000000-) Lever	1
17	69955	(000000-) Knob, Tpr, 1.00d 1.63l M08x1.25 Plstc	1
18	23999-6	(000000-) Pin, Roll, .090 D X 0.75l, .094/.097	1
19	69958	(000000-) Tube Wldt, Sppt, Blower, Wand	1
20	55489	(000000-) Clamp Wldt, Tube, Blower Wand	2
21	63378	(000000-) Magnet	1
22	69981	(000000-) Strip, Rbr, 0.13 01.25w 08.8l	3
23	69953	(000000-) Plate	1
24	74438	(000000-) Bracket Wldt, Sppt, Blower	1
25	74439	(000000-) Bracket, Mtg, Tube, Blower Wand	1
26	07819	(000000-) Screw, Hex, M10 X 1.5 X 130, 8.8	1
	59768	(000000-) Label Set, Opertnl, [355l]	1
27	41430	(000000-) Nut, Hex, Lock, M10 X 1.5, NI	1
28	06949	(000000-) Screw, Hex, M 6 X 1.0 X 50, 8.8	4
29	32483	(000000-) Washer, Flat, 0.25 Sae	4
30	07790	(000000-) Nut, Hex, Flng, M06 X 1.0	4
31	24593	(000000-) Screw, Hex, .25-20 X 0.50, Fmg	6
32	01683	(000000-) Washer, Flat, #10 Ss	4
33	12459	(000000-) Screw, Hex, M 6 X 1.0 X 20, Fmg	4
34	24198	(000000-) Screw, Pan, M 5 X 0.8 X 25, Ss	2
35	19066	(000000-) Washer, Flt, #10	2
36	06549	(000000-) Nut, Hex, Lock, M 5 X 0.8, NI	2

Fig. 30 - Blower Wand Engine Cover Group

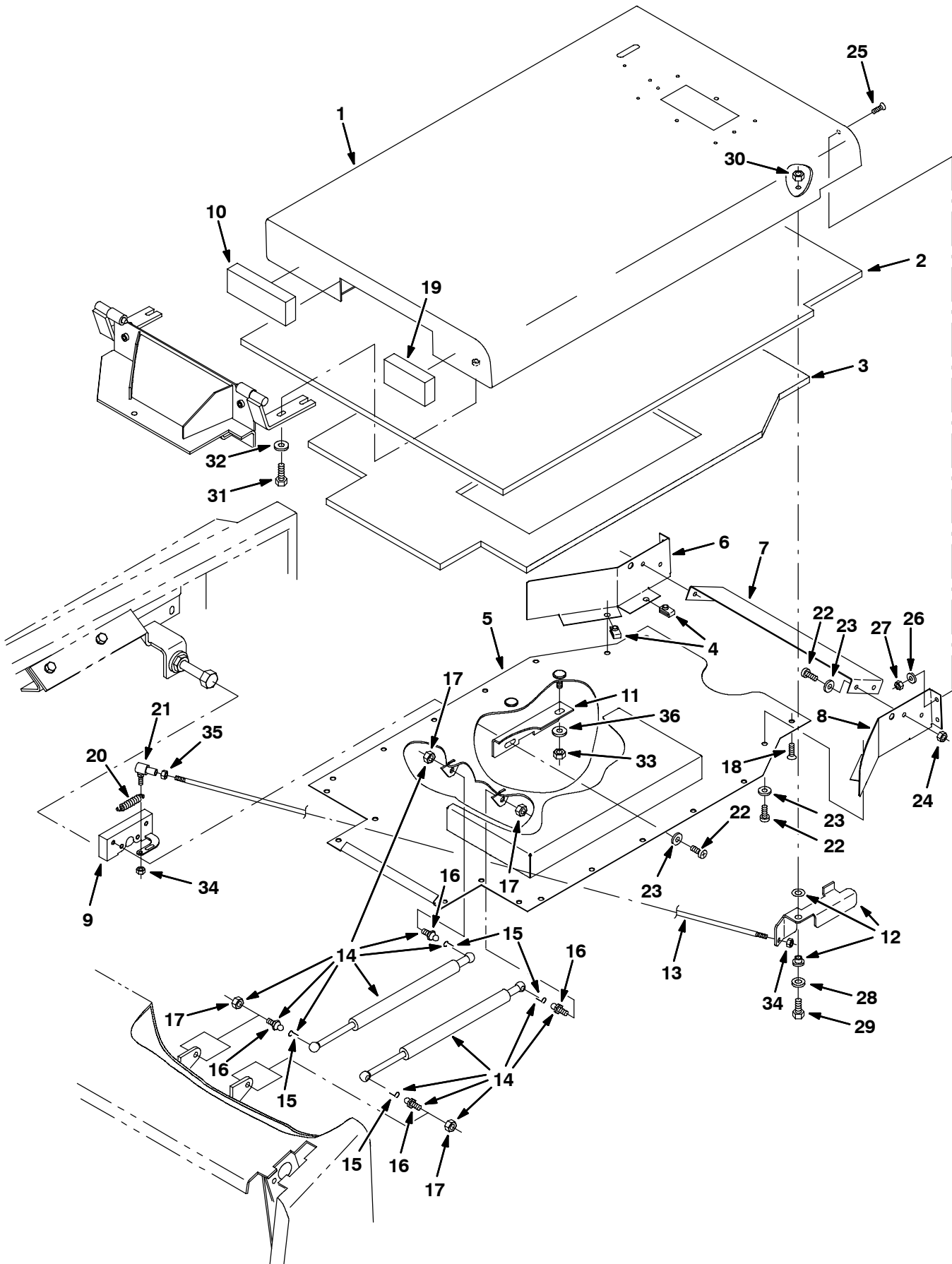


Fig. 30 - Blower Wand Engine Cover Group

NOTE: Blower Wand Kit, TENNANT Part Number 377093, includes Fig. 29 and Fig. 30.

NOTE: Blower Wand Kit, TENNANT Part Number 377067 (000000-009999), includes Fig. 28 and Fig. 30.

NOTE: Blower Wand Kit, TENNANT Part Number 377093 (000000-009999), includes Fig. 29 and Fig. 30.

NOTE: Blower Wand Kit, TENNANT Part Number 9000774(010000-), includes Fig. 28 and Fig. 30.

NOTE: Blower Wand Kit, TENNANT Part Number 9000775 (010000-), includes Fig. 29 and Fig. 30.

Ref.	Part No.	Serial Number	Description	Qty.	
1	69935	(000000-)	Door Wldt, Eng, Top, Blower Wand	1	
2	59019	(000000-)	Insulation, Acstc, 0.8 26.0w 36.3l	1	
3	58999	(000000-014999)	Insulation, Acstc, Cover, Eng, Bottom	1	
3	1035090	(015000-)	Insulation, Cover, Eng, Bottom [2007]	1	
4	12271	(000000-)	Nut, U, M06 X 1.0	20	
5	1010316	(000000-009999)	Plate Wldt, Cover, Eng	1	
5	1018778	(010000-014999)	Plate Wldt, Cover, Eng, Metal	1	
5	1035093	(015000-)	Plate Wldt, Cover, Eng, Metal [2007]	1	
6	69952	(000000-)	Plate	1	
7	58849	(000000-)	Bracket, Deflector, Cover, Eng	1	
8	69951	(000000-)	Plate	1	
9	59514	(000000-)	Latch	1	
10	69986	(000000-)	Insulation, Acstc, 1.0 02.0w 05.8l	1	
11	70142	(000000-)	Bracket, Latch, Eng Cover	1	
12	69907	(000000-)	Handle Assy, Latch, Eng Cover	1	
13	55048	(000000-)	Rod	1	
▽	14	69906	(000000-)	Gasspring Assy, Eng Cover	2
▲	15	64595	(000000-)	Clip, Safety, Gasspring	2
▲	16	58494	(000000-)	Stud, Ball, .39d .31-16, Gasspring	2
▲	17	01760	(000000-)	Nut, Hex, Lock, .31-18, NI, Thin	2
18	09062	(000000-)	Screw, Flt, M06 X 1.0 X 16, 10.9	2	
19	69987	(000000-)	Insulation, Acstc, 1.0 02.0w 04.0l	1	
20	53091	(000000-)	Spring, Extn, 0.50od X 0.06wir, 1.8l	1	
21	14601	(000000-)	Balljoint, .25-28 Fem/.25-28mal	1	
22	09145	(000000-)	Screw, Pan, M 6 X 1.0 X 16, 4.8	24	
23	32483	(000000-)	Washer, Flat, 0.25 Sae	24	
24	08708	(000000-)	Nut, Hex, Lock, M 6 X 1.0, NI	4	
25	09120	(000000-)	Screw, Flt, M05 X 0.8 X 16, 10.9	4	
26	19066	(000000-)	Washer, Flt, #10	4	
27	06549	(000000-)	Nut, Hex, Lock, M 5 X 0.8, NI	4	
28	32490	(000000-)	Washer, Flat, 0.25 Std	1	
29	16931	(000000-)	Screw, Hex, M 8 X 1.25 X 20, 8.8	1	
30	08709	(000000-)	Nut, Hex, Lock, M 8 X 1.25 NI	4	
31	39277	(000000-)	Screw, Hex, M 8 X 1.25 X 25, 8.8	4	
32	41186	(000000-)	Washer, Belleville, .31	4	
33	41430	(000000-)	Nut, Hex, Lock, M10 X 1.5, NI	2	
34	18390	(000000-)	Nut, Hex, Lock, .25-28, NI, Thin	2	
35	32899	(000000-)	Nut, Hex, Jam, .25-28	1	
36	32492	(000000-)	Washer, Flat, 0.38 Std	2	

Fig. 31 - Vacuum Wand Kit

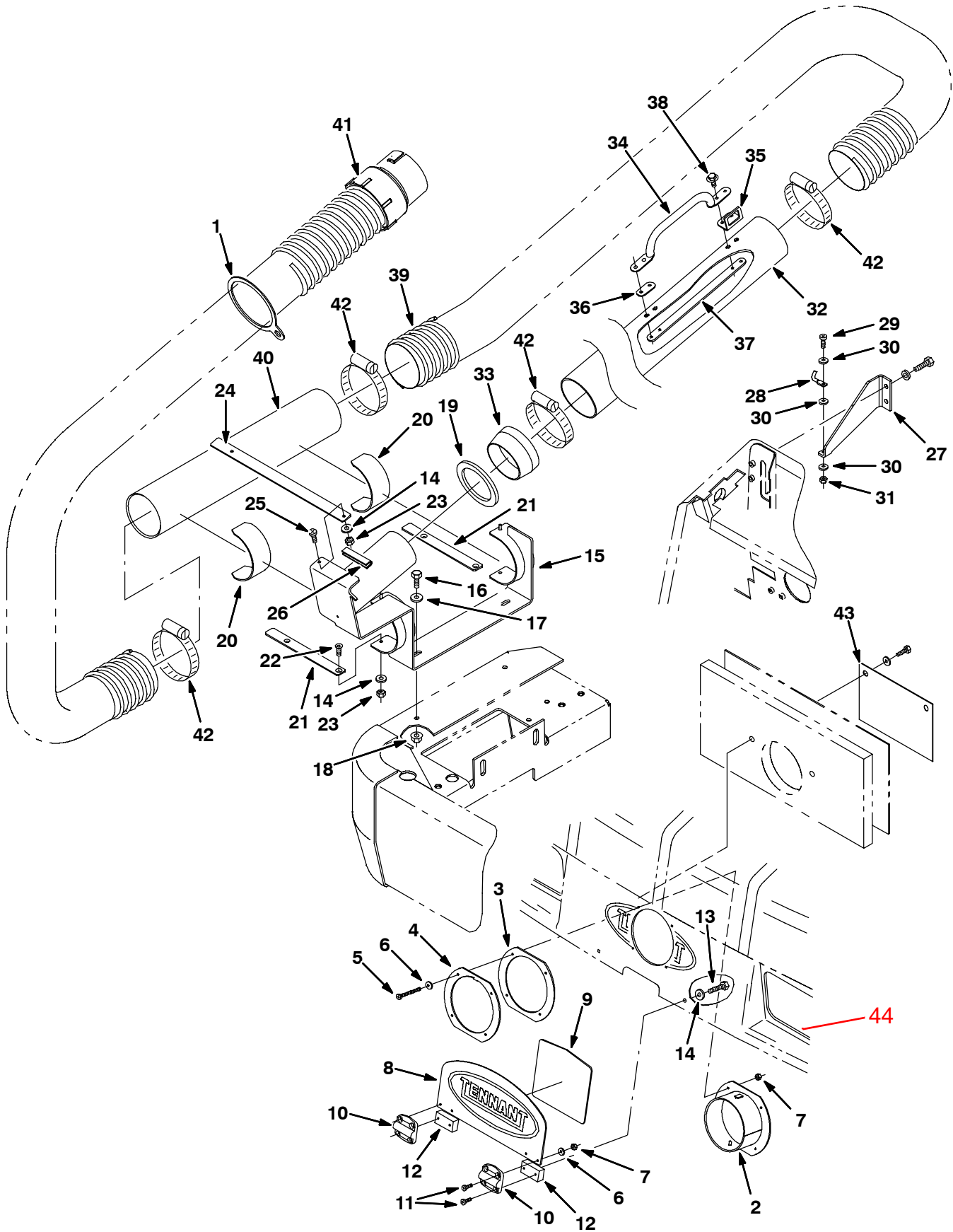


Fig. 31 - Vacuum Wand Kit

Ref.	Part No.	Serial Number	Description	Qty.
▽	377141	(000000-) Kit, Ci, Wand, Vaccuum	1
▲	1 1009163	(000000-) Strap, Mtg, Cuff	1
▲	2 1007965	(000000-) Tube Wldt, Hppr	1
▲	3 1008629	(000000-) Gasket, Flange	2
▲	4 1008611	(000000-) Flange, Ring	1
▲	5 377165	(000000-) Screw, Pan, M4x0.7 X 60, 4.8	4
▲	6 19065	(000000-) Washer, Flat, #08	4
▲	7 02850	(000000-) Nut, Hex, Lock, M 4 X 0.7, NI	4
▲	8 1010600	(000000-) Door, Vacuum, W/Label [6600/6650]	1
▲	9 1007993	(000000-) Gasket, Door	1
▲	10 367950	(000000-) Hinge, .40pin 2.2w 2.0l 4/0.21h	2
▲	11 06927	(000000-) Screw, Pan, M 4 X 0.7 X 16, 4.8	8
▲	12 1008304	(000000-) Spacer, Hinge	2
▲	13 06947	(000000-) Screw, Hex, M 6 X 1.0 X 40, 8.8	2
▲	14 32483	(000000-) Washer, Flat, 0.25 Sae	5
▲	15 1008713	(000000-) Bracket Wldt, Wand	1
▲	16 16931	(000000-) Screw, Hex, M 8 X 1.25 X 20, 8.8	2
▲	17 39349	(000000-) Washer, Flat, 0.31 Sae	2
▲	18 07791	(000000-) Nut, Hex, Flng, M08 X 1.25	2
▲	19 1008724	(000000-) Gasket, Tube	1
▲	20 1008734	(000000-) Strip, Rbr, 0.13 02.00w 7.2l	2
▲	21 1009429	(000000-) Strap, Hose	2
▲	22 09062	(000000-) Screw, Flt, M06 X 1.0 X 16, 10.9	2
▲	23 08708	(000000-) Nut, Hex, Lock, M 6 X 1.0, NI	3
▲	24 1009795	(000000-) Strap, Hose	1
▲	25 09145	(000000-) Screw, Pan, M 6 X 1.0 X 16, 4.8	1
▲	26 74068	(000000-) Molding, Trim, Pvc,.18-.31 02.8l	1
▲	27 1009116	(000000-) Bracket, Wand	1
▲	28 1009366	(000000-) Bar, Wand	1
▲	29 06934	(000000-) Screw, Pan, M 5 X 0.8 X 20, 4.8	1
▲	30 19066	(000000-) Washer, Flt, #10	3
▲	31 06549	(000000-) Nut, Hex, Lock, M 5 X 0.8, NI	1
▲	32 1010823	(000000-) Tube, Wand, Vacuum	1
▲	33 382634	(000000-) Bumper, Wand, Vacuum	1
▲	34 32822	(000000-) Handle	1
▲	35 1009122	(000000-) Bracket, Mtg, Wand	1
▲	36 1009167	(000000-) Spacer, Handle	1
▲	37 69937	(000000-) Plate, Backing, Handle	1
▲	38 361339	(000000-) Screw, Hex, M 6 X 1.0 X 16, Fmg	4
▲	39 1009847	(000000-) Hose, Vacuum, 4.00id X 53.0l	1
▲	40 1009811	(000000-) Tube, Wand	1
▲	41 1009540	(000000-) Hose Assy, W/1cuff, 4.0d, 87.8l, 4.0/	1
▲	42 23498	(000000-) Clamp, Hose, Wormdrive, 3.56-4.50d	4
▲	43 1010537	(000000-) Flap, Vac Wand	1
▲	44 377162		Cover, Hopper, Rework	1

Fig. 32 - Vacuum Wand Kit, With Cab

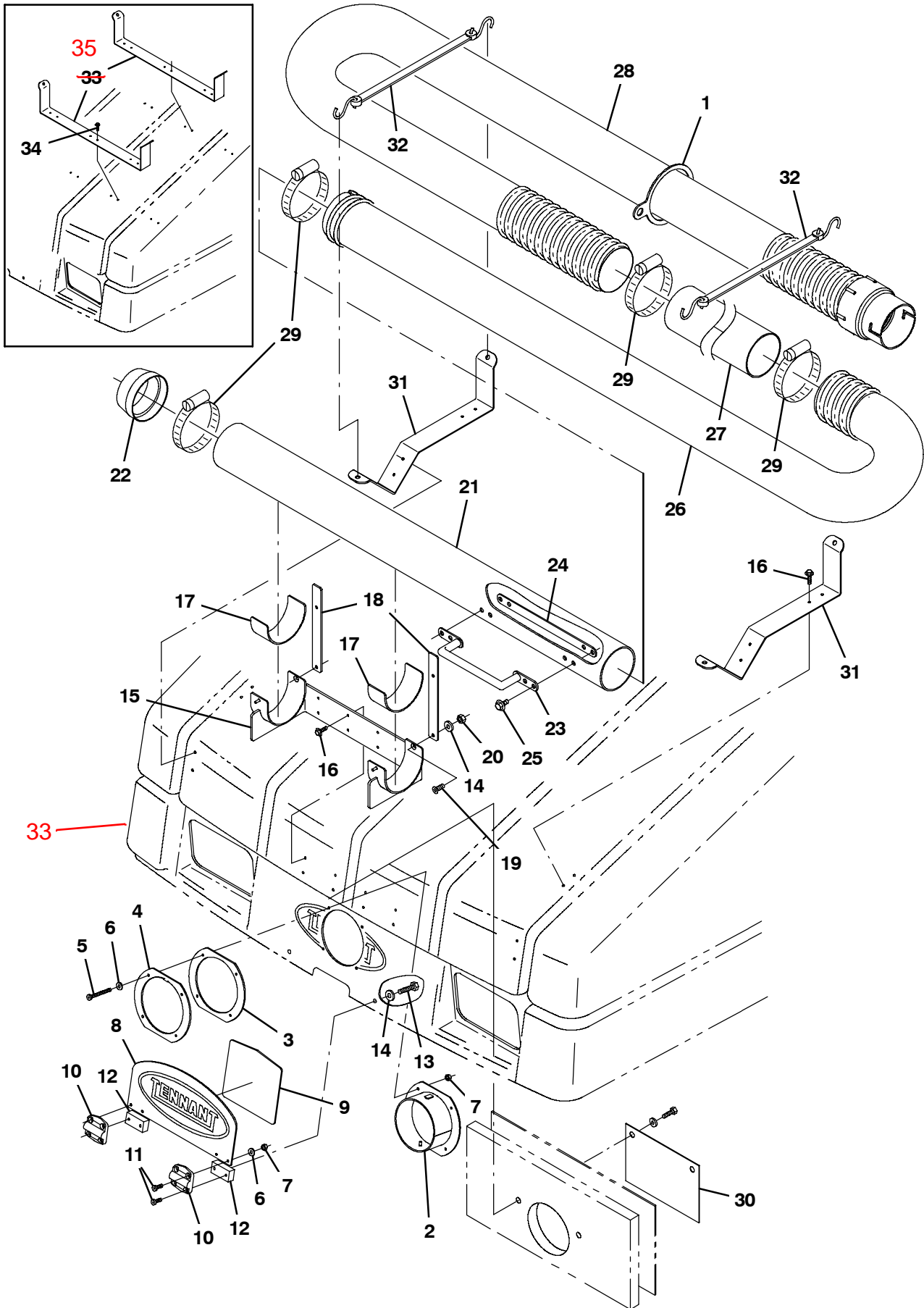


Fig. 32 - Vacuum Wand Kit, With Cab

Ref.	Part No.	Serial Number	Description	Qty.
▽	9000263	(000000-) Wand Kit, Vacuum, W/ Cab, Ci	1
▲	1 1009163	(000000-) Strap, Mtg, Cuff	1
▲	2 1007965	(000000-) Tube Wldt, Hppr	1
▲	3 1008629	(000000-) Gasket, Flange	2
▲	4 1008611	(000000-) Flange, Ring	1
▲	5 377165	(000000-) Screw, Pan, M4x0.7 X 60, 4.8	4
▲	6 19065	(000000-) Washer, Flat, #08	4
▲	7 02850	(000000-) Nut, Hex, Lock, M 4 X 0.7, NI	4
▲	8 1010600	(000000-) Door, Vacuum, W/Label [6600/6650]	1
▲	9 1007993	(000000-) Gasket, Door	1
▲	10 367950	(000000-) Hinge, .40pin 2.2w 2.0l 4/0.21h	2
▲	11 06927	(000000-) Screw, Pan, M 4 X 0.7 X 16, 4.8	8
▲	12 1008304	(000000-) Spacer, Hinge	2
▲	13 06947	(000000-) Screw, Hex, M 6 X 1.0 X 40, 8.8	2
▲	14 32483	(000000-) Washer, Flat, 0.25 Sae	5
▲	15 1011511	(000000-) Bracket Wldt, Wand	1
▲	16 383000	(000000-) Screw, Hex, #12-16 X 0.75, F/Plstc	16
▲	17 1008734	(000000-) Strip, Rbr, 0.13 02.00w 7.2l	2
▲	18 1009429	(000000-) Strap, Hose	2
▲	19 09062	(000000-) Screw, Flt, M06 X 1.0 X 16, 10.9	2
▲	20 08708	(000000-) Nut, Hex, Lock, M 6 X 1.0, NI	3
▲	21 1010823	(000000-) Tube, Vacuum Wand W/ Label	1
▲	22 382634	(000000-) Bumper, Wand, Vacuum	1
▲	23 32822	(000000-) Handle	1
▲	24 69937	(000000-) Plate, Backing, Handle	1
▲	25 361339	(000000-) Screw, Hex, M 6 X 1.0 X 16, Fmg	4
▲	26 1009847	(000000-) Hose, Vacuum, 4.00id X 53.0l	1
▲	27 1009811	(000000-) Tube, Wand	1
▲	28 1009540	(000000-) Hose Assy, W/1cuff, 4.0d, 87.8l, 4.0/	1
▲	29 23498	(000000-) Clamp, Hose, Wormdrive, 3.56-4.50d	4
▲	30 1010537	(000000-) Flap, Vac Wand	1
▲	31 1040200	(xxxxxx-) Bracket, Mtg, Hose, Vacuum	2
▲	32 33671	(000000-) Strap, Rbr, Tie-Down, 2/Hooks 19.0l	2
▲	35 33 1011176	(000000- xxxxxx)	Bracket, Wand, Vacuum	2
▲	34 383000	(000000- xxxxxx)	Screw, Hex, #12-16 X 0.75, F/Plstc	12



▲ 33 377162 Cover, Hopper, Rework1

Fig. 33 - Left Side Brush Drive Motor and Pivot Group (6650 XP)

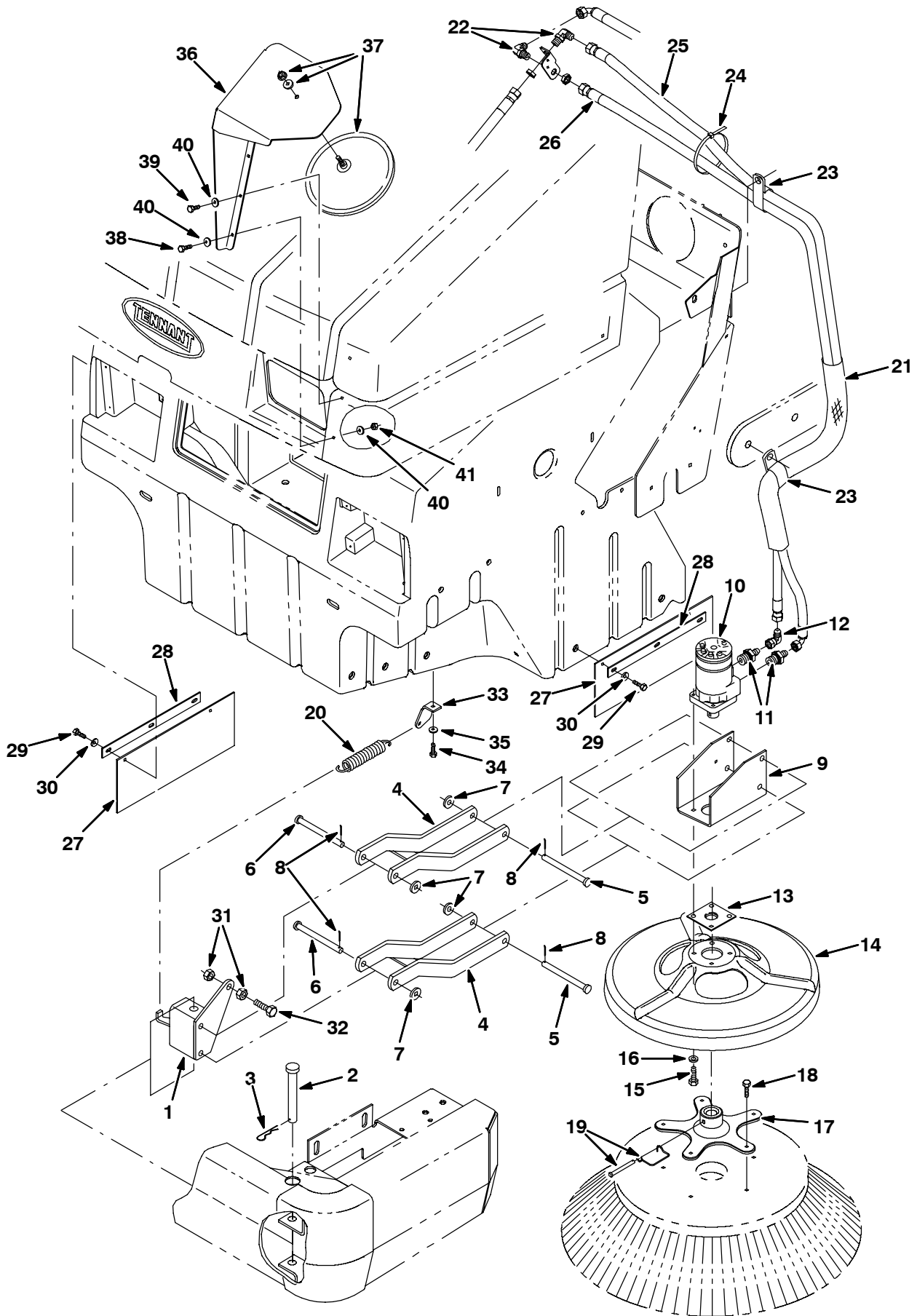


Fig. 33 - Left Side Brush Drive Motor and Pivot Group (6650 XP)

NOTE: Left Side Brush Kit, TENNANT Part Number 377140, includes Fig. 33 and Fig. 34.

Ref.	Part No.	Serial Number	Description	Qty.
1	72424	(000000-) Pivot	1
2	54660	(000000-) Pin, Clevis, 0.75 D X 5.50l	1
3	02942	(000000-) Pin, Hair Cotter, 0.62 D .120 Wir	1
4	72427	(000000-) Arm Wldt, Sppt, Brush, Side	2
5	51225	(000000-) Pin, Clevis, 0.50 D X 5.50l	2
6	51538	(000000-) Pin, Clevis, 0.50 D X 5.00l	2
7	32493	(000000-) Washer, Flat, 0.50 Std	4
8	08182	(000000-) Pin, Cotter, .125 X 1.00	4
9	379862	(000000-) Bracket, Motor, Side Brush, Lh, [6550]	1
10	379607	(000000-) Motor, Hyd, Gear, [In] 17.9 B 1500 (See Breakdowns)	1
11	47508	(000000-) Fitting, Hyd, Str, Jm06/Om10	2
12	47504	(000000-) Fitting, Hyd, E90, Jm06/Jf06	1
13	16082	(000000-) Guard, String, Motor, Brush	1
14	379532	(000000-) Guard, Brush, [6550]	1
15	46559	(000000-) Screw, Hex, .38-16 X 1.25, NI	4
16	32492	(000000-) Washer, Flat, 0.38 Std	4
17	1017575	(000000-) Hub, Drive, Brush, Side, 1.0B 8.75 Bc	1
18	39394	(000000-) Screw, Hex, .31-09 X 1.25, Wood	5
19	84581	(000000-) Pin	1
20	47745	(000000-) Spring, Extn, 1.12od X 0.14wir, 6.3l	1
21	87676	(000000-) Sleeve, Nyl, 27 30.0l	1
22	57075	(000000-) Fitting, Hyd, E90, Jm06/Jm06 Bkhd	2
23	09570	(000000-) Clamp, Cable, Stl, 0.9x1.8x0.62w, 1h	2
24	49263	(000000-) Tie, Cable, Nyl, 11.4l .19w 3.0 Max D	2
25	9000250	(000000-) Hose, Hyd,Tc 06, Jf06str /Jf06e90 , 88.0	1
26	9000249	(000000-) Hose, Hyd,Med06, Jf06str /Jf06e90 , 84.0	1
27	1010166	(000000-) Skirt, Hppr, Plstc	2
28	1010165	(000000-) Retainer, Skirt	2
29	11329	(000000-) Screw, Hex, M 6 X 1.0 X 16, Ss, NI	4
30	01684	(000000-) Washer, Flat, 0.25 Ss	4
31	07788	(000000-) Nut, Hex, Std, M12 X 1.75, Ss	2
32	06973	(000000-) Screw, Hex, M12 X 1.75 X 70, 8.8	1
33	379815	(000000-) Bracket, Spring, Side Brush	1
34	49826	(000000-) Screw, Hex, M 8 X 1.25 X 16, Ss, NI	1
35	01685	(000000-) Washer, Flat, 0.31 Ss	1
36	1010432	(000000-) Bracket, Mirror, Side Brush	1
37	68445	(000000-) Mirror, Convex, 08.0d	1
38	06946	(000000-) Screw, Hex, M6 X 1.0 X 35, 8.8	2
39	06944	(000000-) Screw, Hex, M6 X 1.0 X 25, 8.8	1
40	32490	(000000-) Washer, Flat, 0.25 Std	6
41	08708	(000000-) Nut, Hex, Lock, M6 X 1.0, NI	3

Fig. 34 - Left Side Brush Lift Group (6650 XP)

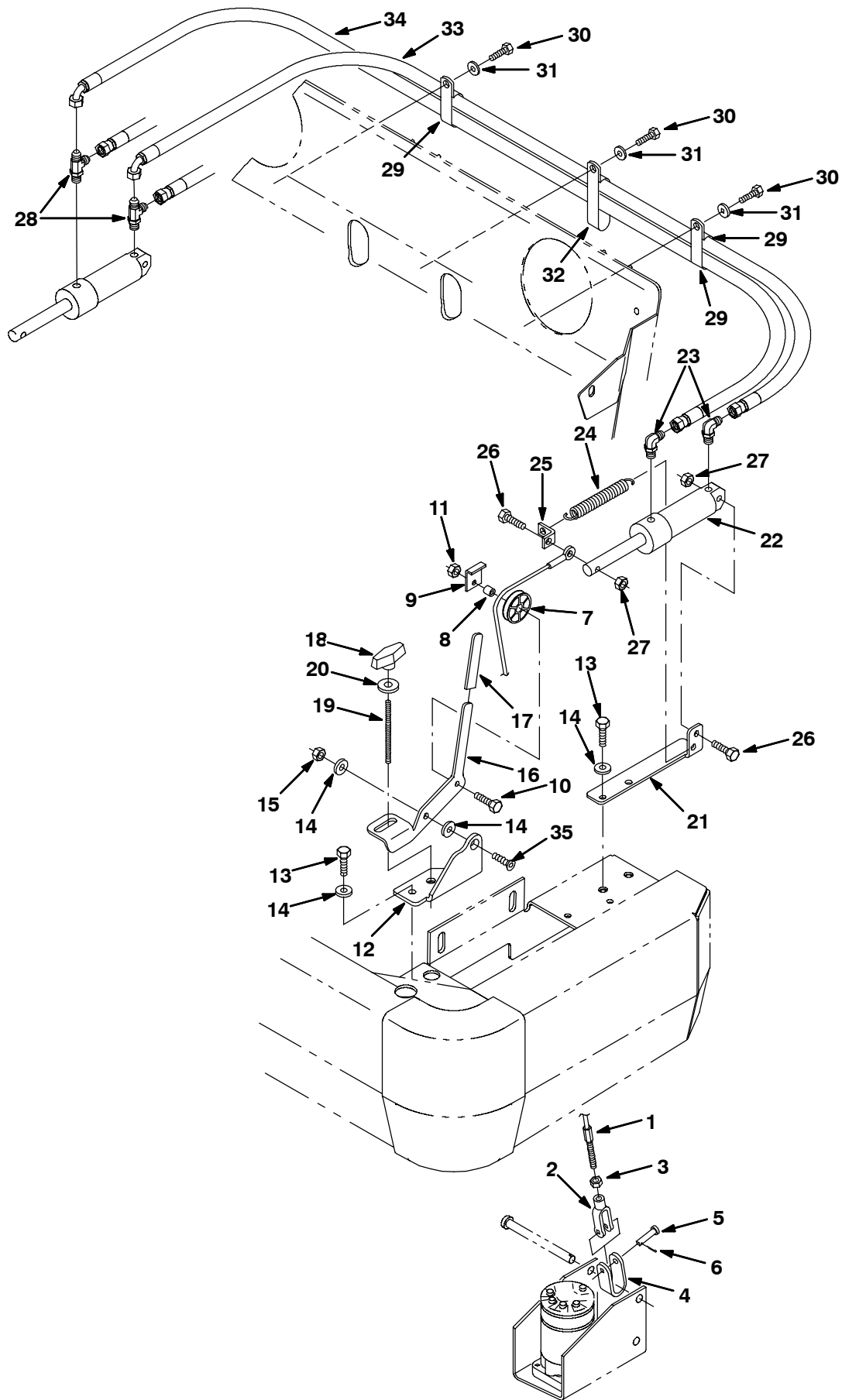


Fig. 34 - Left Side Brush Lift Group (6650 XP)

NOTE: Left Side Brush Kit, TENNANT Part Number 377140, includes Fig. 33 and Fig. 34.

Ref.	Part No.	Serial Number	Description	Qty.
1	77335	(000000-) Cable, .13d, 14.9l, .41eye /M10x1.5	1
2	12267	(000000-) Clevis, Adj, 0.38pin, M10x1.5	1
3	32716	(000000-) Nut, Hex, Jam, M10 X 1.5, Ss	1
4	59899	(000000-) Bracket, U, .12 1.2w 2.30h 1.0l	1
5	29558	(000000-) Pin, Clevis, 0.37 D X 1.50l	1
6	08179	(000000-) Pin, Cotter, .094 X 1.00	1
7	369781	(000000-) Pulley, Cable, 1.5d, Nyl	1
8	222460	(000000-) Sleeve, P/M, 0.496d 0.318b 0.50l 430ss	1
9	54400	(000000-) Bracket, Angle, Keeper, Cable	1
10	76570	(000000-) Screw, Hex, M 8 X 1.25 X 30, 8.8	1
11	08709	(000000-) Nut, Hex, Lock, M 8 X 1.25 NI	1
12	1008463	(000000-) Bracket, Mtg, Lever, Lh	1
13	03192	(000000-) Screw, Hex, M10 X 1.5 X 30, 8.8	3
14	32492	(000000-) Washer, Flat, 0.38 Std	6
15	41430	(000000-) Nut, Hex, Lock, M10 X 1.5, NI	1
16	1009177	(000000-) Bracket, Adj, Brush, Side, Lh	1
17	360467	(000000-) Grip, Vyl	1
18	04706	(000000-) Knob, Tee, 2.5x1.0 1.1l 0.38-16 Plstc	1
19	387151	(000000-) Shaft, Thrd	1
20	32493	(000000-) Washer, Flat, 0.50 Std	1
21	1005193	(000000-) Bracket, Mtg, Cyl	1
22	1038137	(000000-) Cylinder, Hyd, 1.5b,07.8l,02.80strk,2500	1
23	77097	(000000-) Fitting, Hyd, E90, Jm04/Om04	2
24	29499	(000000-) Spring, Extn, 0.75od X 0.11wir, 4.5l	1
25	77336	(000000-) Angle, Retainer, Spring	1
26	39285	(000000-) Screw, Hex, M10 X 1.5 X 40, 8.8	2
27	41430	(000000-) Nut, Hex, Lock, M10 X 1.5, NI	2
28	34390	(000000-) Fitting, Hyd, Tee, Jm04/Jm04/Om04	2
29	1009318	(000000-) Clamp, Cable, Stl, 0.6x1.2x0.75w, 1h	2
30	361339	(000000-) Screw, Hex, M 6 X 1.0 X 16, Fmg	3
31	32483	(000000-) Washer, Flat, 0.25 Sae	3
32	09570	(000000-) Clamp, Cable, Stl, 0.9X1.8X0.62W, 1H	1
33	57962	(000000-) Hose, Hyd, Med04, Jf04Str/Jf04E90, 64.0	1
34	82816	(000000-) Hose, Hyd, Med04, Jf04Str/Jf04E90, 76.0	1
35	09081	(000000-) Screw, Flt, M10X1.5X25, 10.9	1

Fig. 35 - Auxiliary Side Brush Motor Group

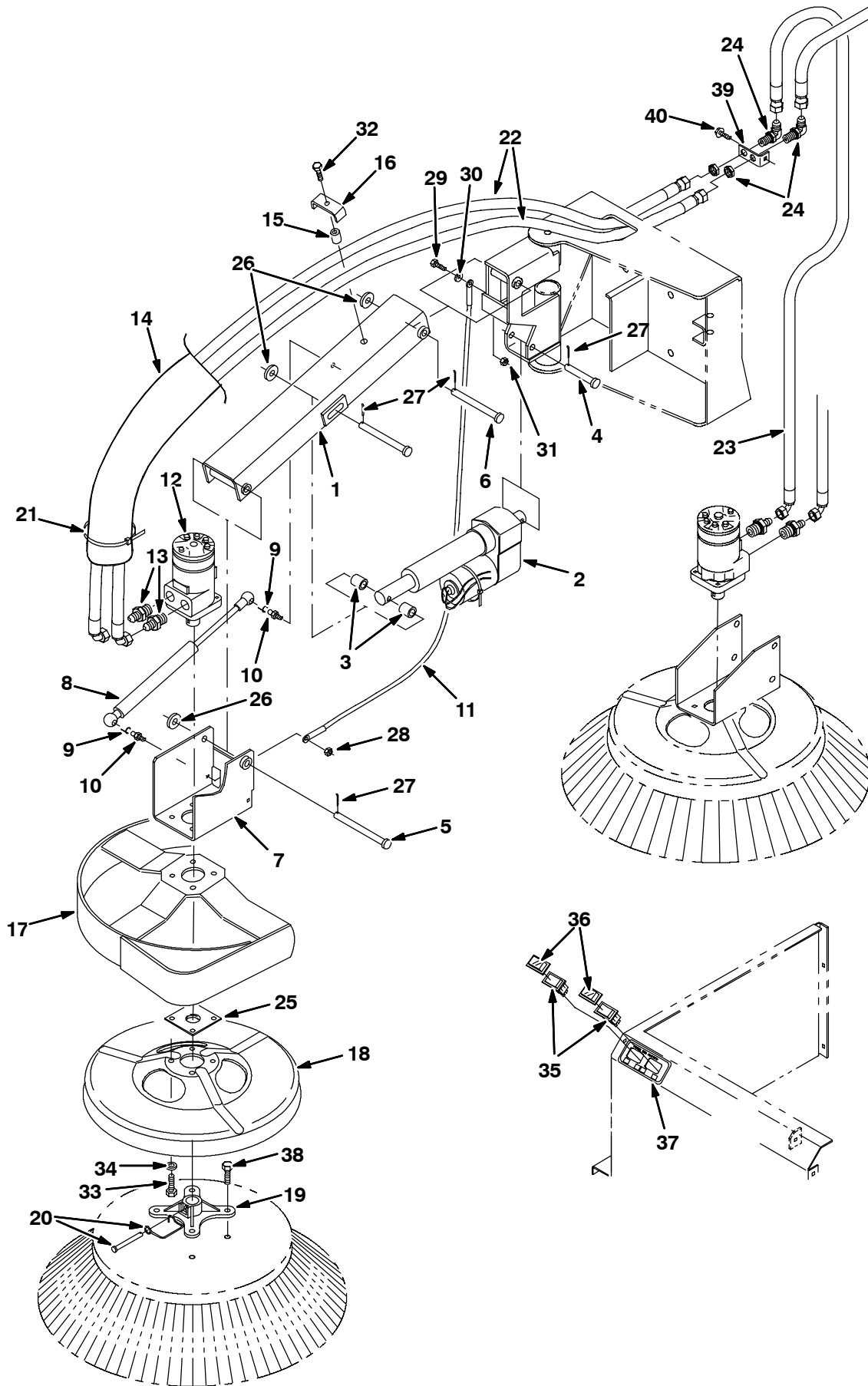


Fig. 35 - Auxiliary Side Brush Motor Group

Ref.	Part No.	Serial Number	Description	Qty.
1	55778	(000000-) Arm Wldt, Sppt, Brush, Side	1
2	55776	(000000-) Actuator, 12vdc, 04.0stroke 250lb	1
3	55834	(000000-) Tube, 00.68d 00.56b 01.0l Stl Plt	2
4	23683	(000000-) Pin, Clevis, 0.50 D X 3.00l	1
5	51225	(000000-) Pin, Clevis, 0.50 D X 5.50l	1
6	51538	(000000-) Pin, Clevis, 0.50 D X 5.00l	2
7	55793	(000000-) Bracket Wldt, Mtg, Motor	1
8	82334	(000000-) Gasspring, 120lb, 6.3strk	1
9	64595	(000000-) Clip, Safety, Gasspring	2
10	58494	(000000-) Stud, Ball, .39d .31-16, Gasspring	2
11	35298	(000000-) Cable, .13d, 20.0l, .32eye /.32eye	1
12	373340	(000000-) Motor, Hyd, Gear, [In] 14.1 B 1500 (See Breakdowns)	1
13	47508	(000000-) Fitting, Hyd, Str, Jm06/Om10	2
14	35484	(000000-) Sleeve, Nyl, #27 45.0l	1
15	09900-1	(000000-) Tube, 00.52d 00.26b 00.8l Stl Plt	1
16	51715	(000000-) Bracket, U, .18 2.8 0.9 1.0l 1/0.3h	1
17	55823	(000000-) Guard Wldt, Brush	1
18	53984	(000000-) Guard, Brush, [6400 355]	1
19	47501	(000000-) Hub, Drive, Brush, Side, 1.0b 05.50 Bc	1
20	84581	(000000-) Pin	1
21	49266	(000000-) Tie, Cable, Nyl, 07.3l .19w 1.8 Max D	13
22	31566	(000000-) Hose, Hyd,Med06, Jf06str /Jf06e90 , 48.0	2
23	9000243	(000000-) Hose, Hyd, med06, Jf06Str/Jf06E90, 30.0	1
24	57075	(000000-) Fitting, Hyd, E90, Jm06/Jm06 Bkhd	2
25	16082	(000000-) Guard, String, Motor, Brush	1
26	32493	(000000-) Washer, Flat, 0.50 Std	6
27	08175	(000000-) Pin, Cotter, .125 X 1.25	4
28	01760	(000000-) Nut, Hex, Lock, .31-18, NI, Thin	2
29	16931	(000000-) Screw, Hex, M 8 X 1.25 X 20, 8.8	1
30	39349	(000000-) Washer, Flat, 0.31 Sae	1
31	08709	(000000-) Nut, Hex, Lock, M 8 X 1.25 NI	1
32	06947	(000000-) Screw, Hex, M 6 X 1.0 X 40, 8.8	1
33	82842	(000000-) Screw, Hex, .38-16 X 1.50, NI	4
34	32492	(000000-) Washer, Flat, 0.38 Std	4
35	65560	(000000-) Switch, Rocker, 28vdc 15a Dpdt On/Of/On	2
36	57807	(000000-) Cover, Seal, Rocker Switch	2
37	69999	(000000-) Label, Control, Side Brush	1
38	39396	(000000-) Screw, Hex, .31-12 X 1.50, Fmg, [Ab]	4
39	1011299	(000000-) Bracket, Sidebrush, Aux	1
40	361339	(000000-) Screw, Hex, M6X1.0X16, Fmg	1

Fig. 36 - Auxiliary Side Brush Pivot Group

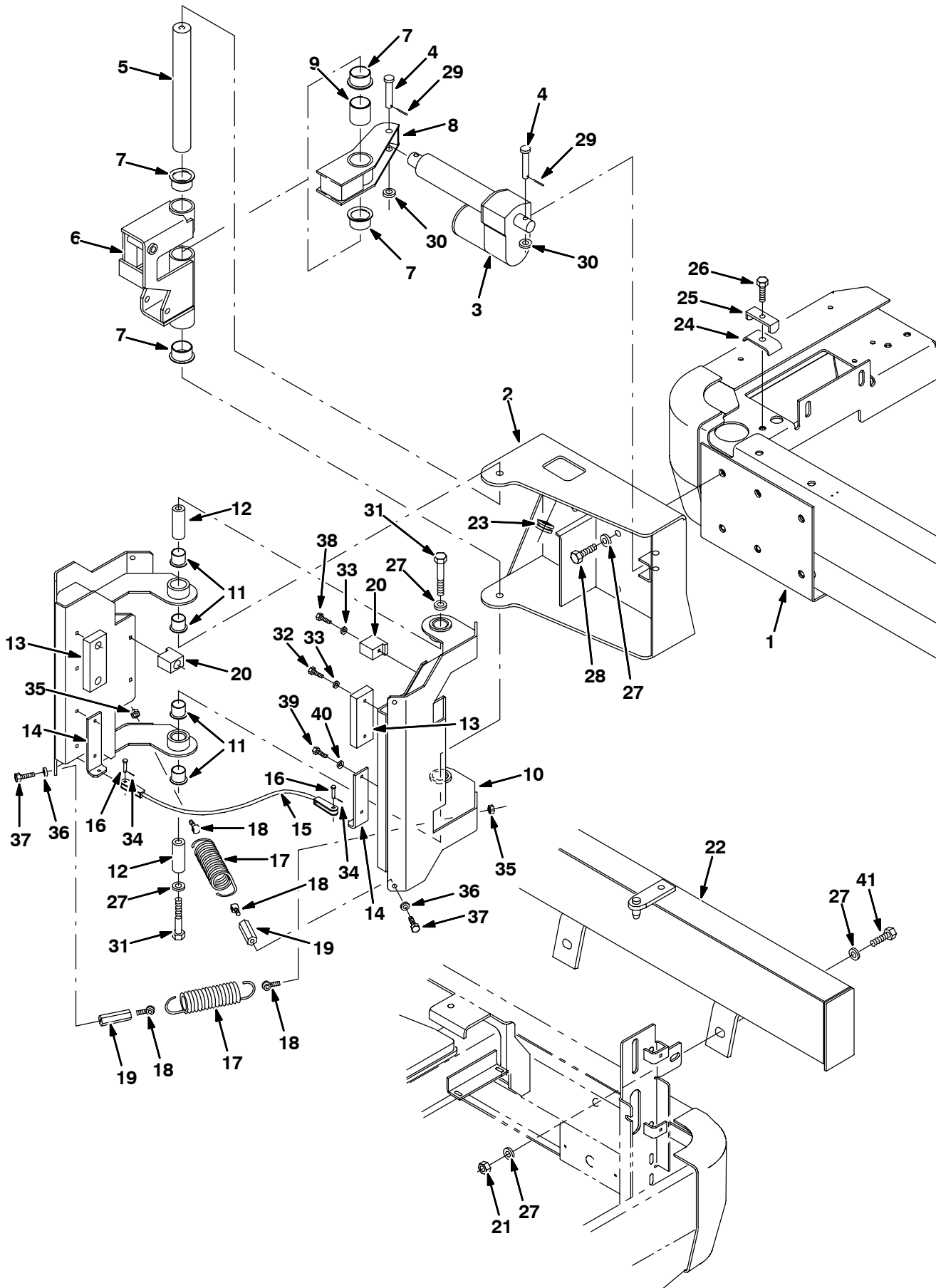
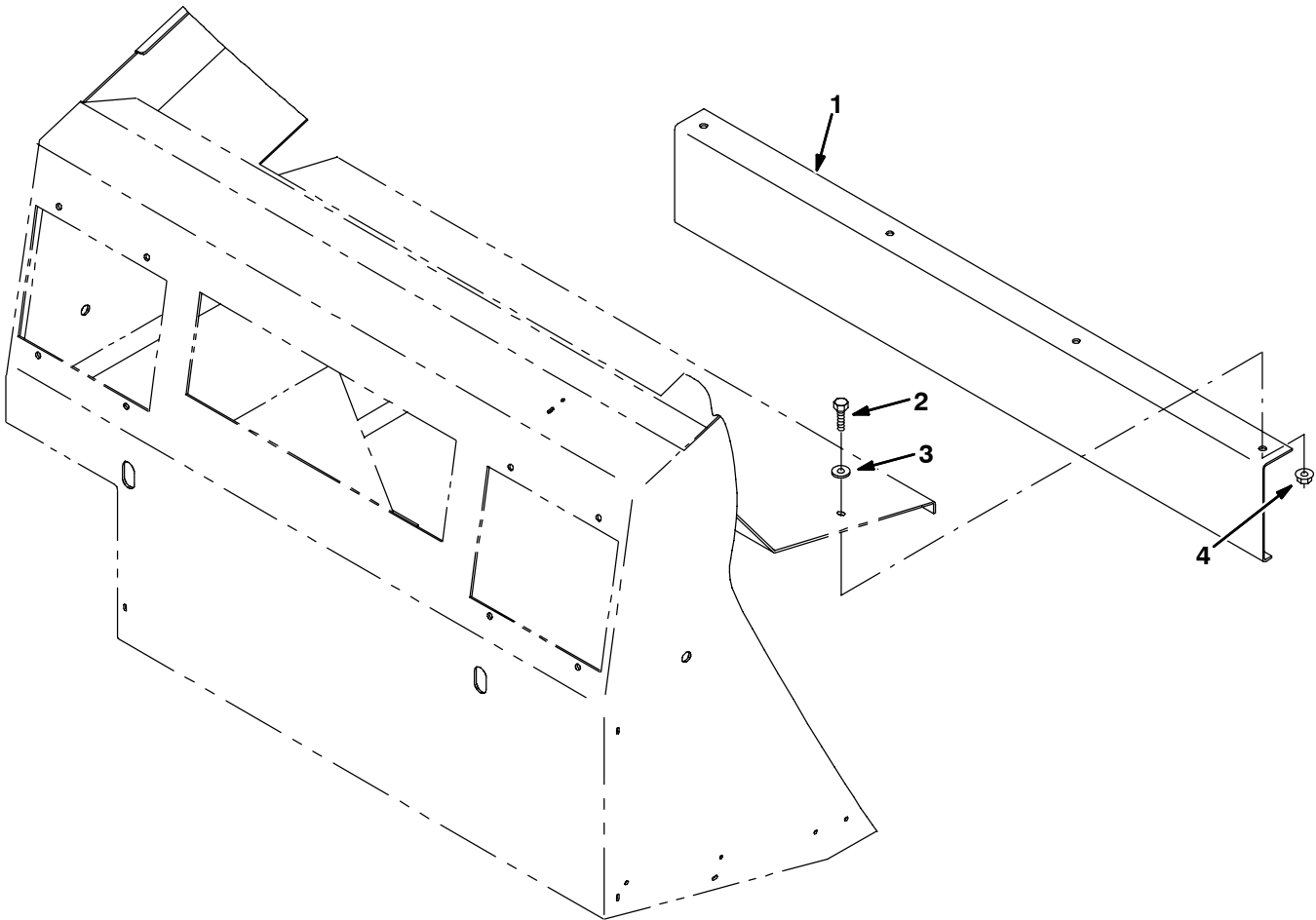


Fig. 36 - Auxiliary Side Brush Pivot Group

Ref.	Part No.	Serial Number	Description	Qty.
1	1008579	(000000-) Bumper Wldt, Front	1
2	379737	(000000-) Channel Wldt, Sppt	1
3	35426	(000000-) Actuator Assy, 12vdc, 06.0stroke 250lb	1
4	06279	(000000-) Pin, Clevis, 0.50 D X 2.50l	2
5	54427	(000000-) Shaft, Pivot	1
6	54428	(000000-) Pivot Wldt, Actuator	1
7	54620	(000000-) Bushing, Flng, 1.50b 1.65d 1.00l	4
8	54404	(000000-) Pivot Wldt	1
9	54465	(000000-) Bushing, Sleeve, 1.50b 1.66d 1.75l Tef	1
10	54621	(000000-) Frame Wldt, Sppt, Spring	2
11	54618	(000000-) Bushing, Flng, 1.00b 1.13d 1.00l	4
12	55767	(000000-) Tube, 01.00d 00.50b 02.7l Stl Plt	2
13	69994	(000000-) Bumper, Brush, Side	2
14	69995	(000000-) Bracket, Cable	2
15	69991	(000000-) Cable, .13d, 10.6l, .2clevis/.2clevis	1
16	36376	(000000-) Pin, Clevis, 0.19 D X 0.50l	2
17	55617	(000000-) Spring, Extn, 1.75od X 0.23wir, 7.5l	4
18	69998	(000000-) Bolt, Eye, M08x1.25 X 030mm 8.0 Eye	8
19	69997	(000000-) Bar, Hex, Stl, 0.75 2.5l M8x1.25 Thru	4
20	69993	(000000-) Bumper, Brush, Side	2
21	08711	(000000-) Nut, Hex, Lock, M12 X 1.75,NI	2
22	379740	(000000-) Weight Wldt, Counter, Aux Side Brush	1
23	10632-1	(000000-) Grommet, Rbr, 1.06id, F/ 1.4h, .19matl	1
24	70267	(000000-) Strip, Rbr, 0.25 01.50w 03.5l	1
25	70268	(000000-) Bracket, U, .18 2.7 0.9 1.0l 1/0.4h	1
26	27990	(000000-) Screw, Hex, .38-16 X 2.00, 5	1
27	32493	(000000-) Washer, Flat, 0.50 Std	12
28	41346	(000000-) Screw, Hex, M12 X 1.75 X 30, 8.8	6
29	08202	(000000-) Pin, Cotter, .125 X 1.75	2
30	32486	(000000-) Washer, Flat, 0.50 Sae	2
31	06976	(000000-) Screw, Hex, M12 X 1.75 X 100, 8.8	2
32	06944	(000000-) Screw, Hex, M 6 X 1.0 X 25, 8.8	4
33	32483	(000000-) Washer, Flat, 0.25 Sae	6
34	39005	(000000-) Pin, Cotter, .094 X 0.75	2
35	08709	(000000-) Nut, Hex, Lock, M 8 X 1.25 NI	4
36	32491	(000000-) Washer, Flat, 0.31 Std	8
37	04375	(000000-) Screw, Hex, M 8 X 1.25 X 40, FI	4
38	06947	(000000-) Screw, Hex, M 6 X 1.0 X 40, 8.8	2
39	06943	(000000-) Screw, Hex, M 6 X 1.0 X 20, 8.8	4
40	32490	(000000-) Washer, Flat, 0.25 Std	4
41	06969	(000000-) Screw, Hex, M12 X 1.75 X 40, 8.8	2

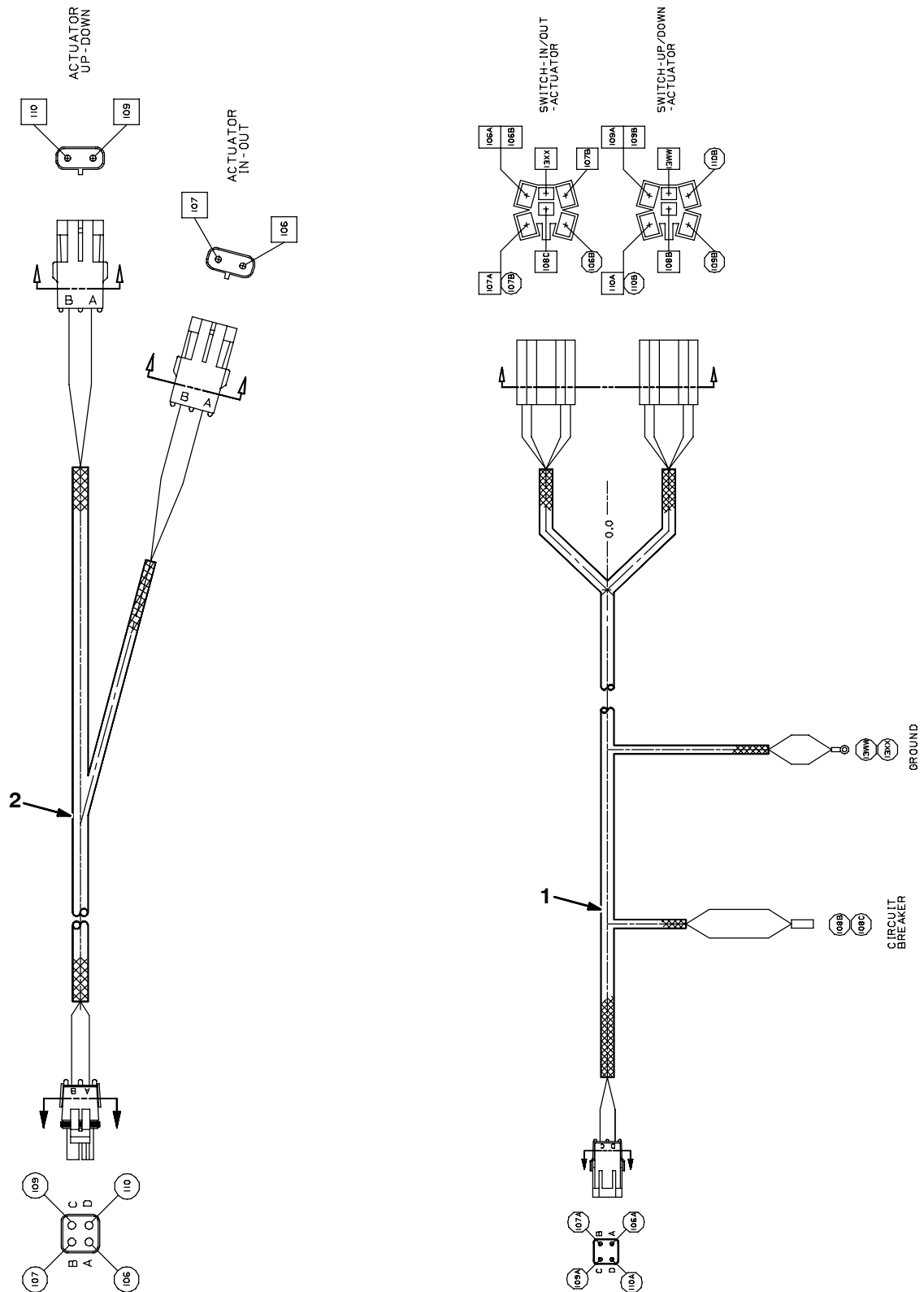
Fig. 37 - Auxiliary Side Brush Hopper Deflector Group



353978 - 6650xs

Ref.	Part No.	Serial Number	Description	Qty.
1	1008660	(000000-) Plate, Deflector	1
2	39277	(000000-) Screw, Hex, M 8 X 1.25 X 25, 8.8	4
3	32491	(000000-) Washer, Flat, 0.31 Std	4
4	07791	(000000-) Nut, Hex, Flng, M08X1.25	4

Fig. 38 - Auxiliary Side Brush Wire Harnesses Group



353979 - 6650xs

Ref.	Part No.	Serial Number	Description	Qty.
1	60285	(000000-) Harness, Brush, Side, Aux, [385d]	1
2	60286	(000000-) Harness, Brush, Side, Aux, [385]	1

Fig. 39 - Auxiliary Side Brush Hopper Bumper Group (6650XP Only)

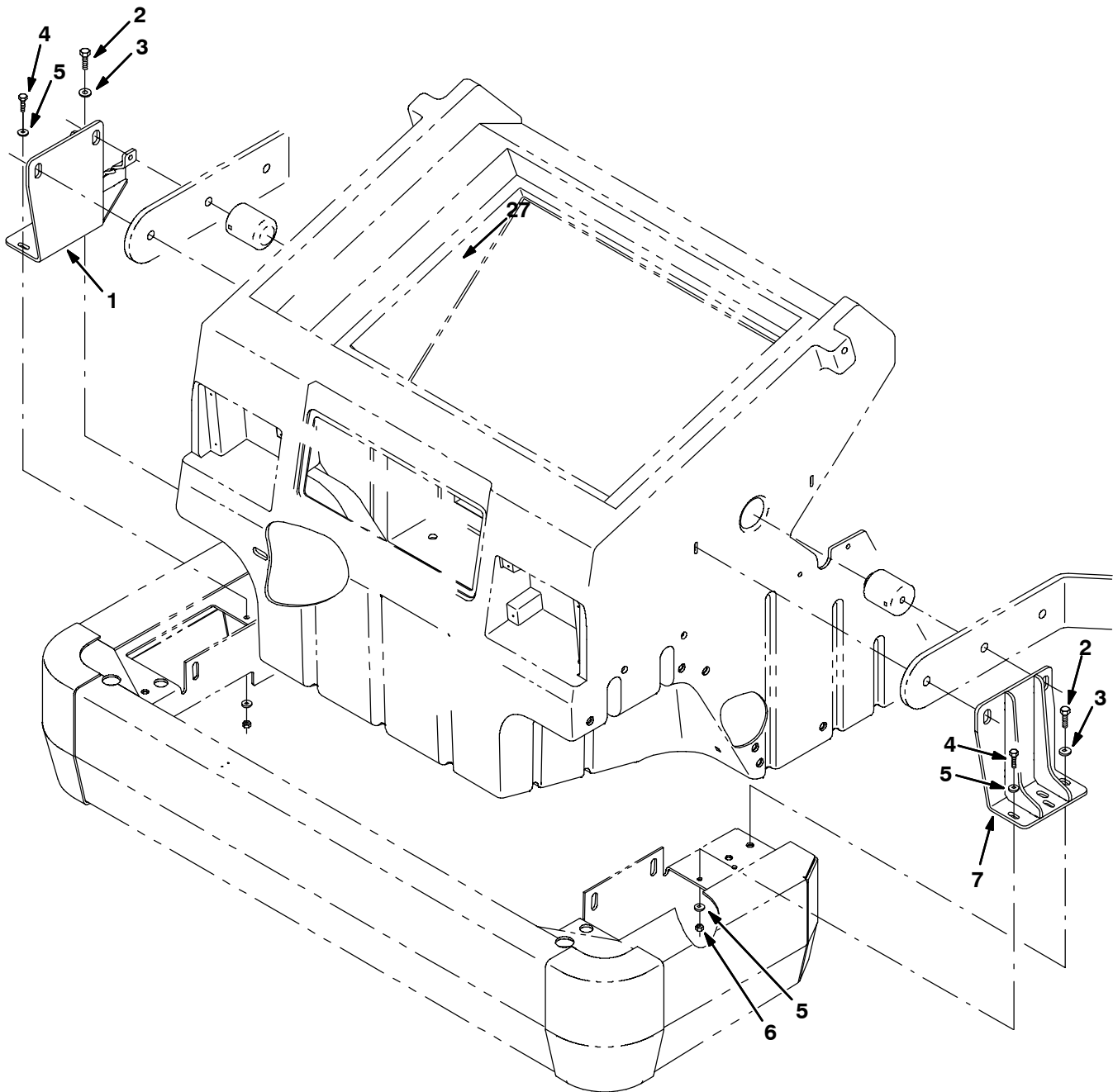


Fig. 39 - Auxiliary Side Brush Hopper Bumper Group (6650XP Only)

Ref.	Part No.	Serial Number	Description	Qty.
1	1018786	(000000-) Bracket Wldt, Side, Rh, Sba, Aux	1
2	03192	(000000-) Screw, Hex, M10 X 1.5 X 30, 8.8	3
3	32492	(000000-) Washer, Flat, 0.38 Std	3
4	09010	(000000-) Screw, Hex, M8 X 1.25 X 25, Ss	4
5	32491	(000000-) Washer, Flat, 0.31 Std	8
6	08709	(000000-) Nut, Hex, Lock, M8 X 1.25, NI	4
7	1018765	(000000-) Bracket Wldt, Side, Lh, Sba, Aux	1

Fig. 40 - Side Brush Dust Control Kit

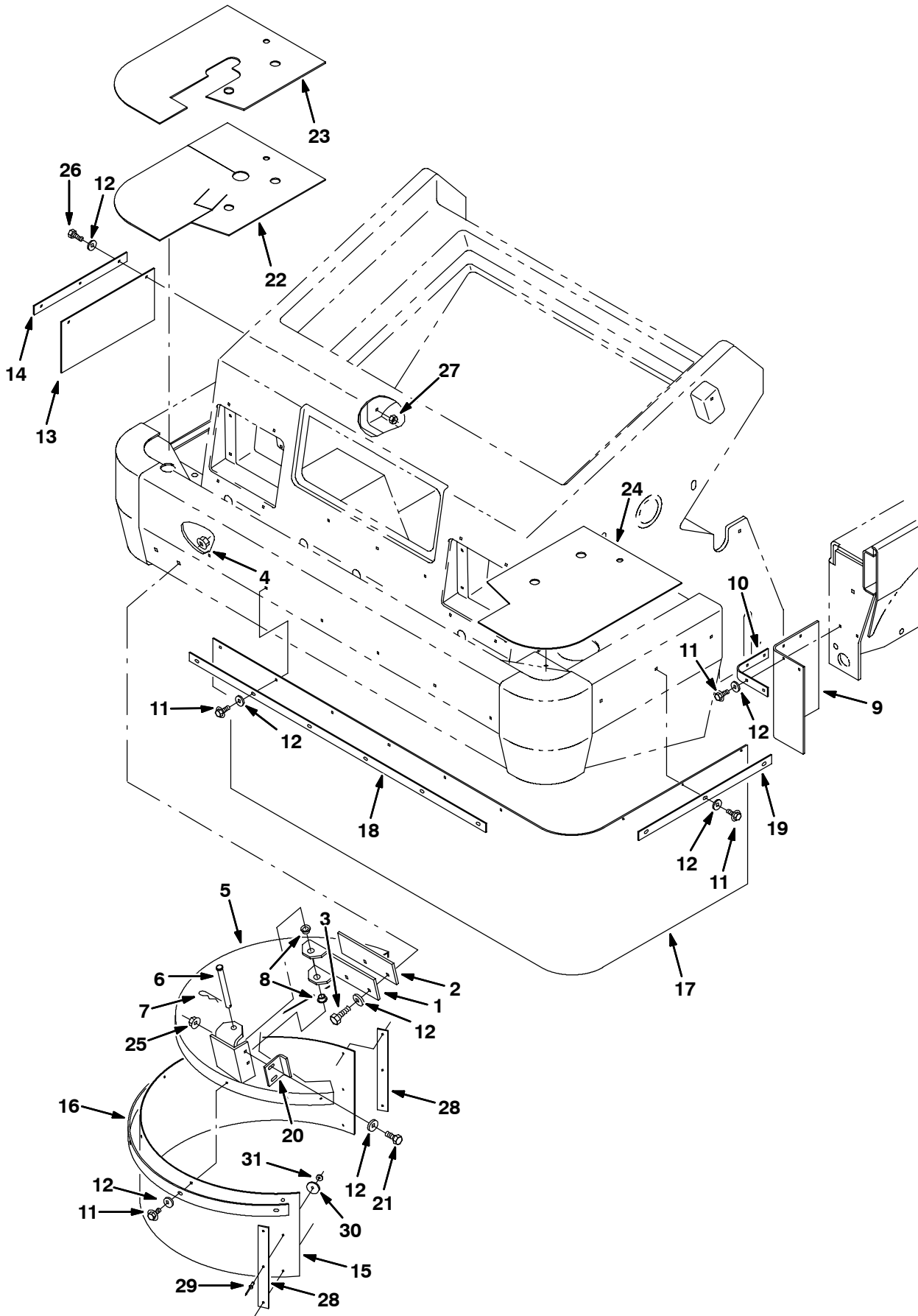


Fig. 40 - Side Brush Dust Control Kit

Ref.	Part No.	Serial Number	Description	Qty.
▽	377144	(000000-) Kit, Ci, Sbdc, [6600/6650]	1
▲	1 74383	(000000-) Bracket, Sbdc	1
▲	2 379810	(000000-) Plate, Spacer	2
▲	3 39284	(000000-) Screw, Hex, M10 X 1.5 X 35, 8.8	2
▲	4 07792	(000000-) Nut, Hex, Flng, M10 X 1.5	2
▲	5 379797	(000000-) Cover Wldt, Brush, Sbdc	1
▲	6 51538	(000000-) Pin, Clevis, 0.50 D X 5.00l	1
▲	7 44906	(000000-) Pin, Hair Cotter, 0.69 D .092 Wir	1
▲	8 23274	(000000-) Bushing, Flng, 0.50b 0.62d 0.40l	2
▲	9 66176	(000000-) Skirt	2
▲	10 66177	(000000-) Plate, Retainer	2
▲	11 12459	(000000-) Screw, Hex, M 6 X 1.0 X 20, Fmg	21
▲	12 01684	(000000-) Washer, Flat, 0.25 Ss	27
▲	13 1010166	(000000-) Skirt, Hppr, Plstc	1
▲	14 1010165	(000000-) Retainer, Skirt	1
▲	15 379804	(000000-) Skirt	1
▲	16 379803	(000000-) Plate, Retainer	1
▲	17 1011052	(000000-) Skirt, Front, Sbdc	1
▲	18 1011057	(000000-) Strip, Retainer, Sbdc	1
▲	19 74381	(000000-) Retainer, Skirt, Sbdc, Lh	1
▲	20 74382	(000000-) Angle, Stop	1
▲	21 16931	(000000-) Screw, Hex, M 8 X 1.25 X 20, 8.8	2
▲	22 1010301	(000000-) Seal, Sbdc, Bmpr (6600 Only)	1
▲	23 1010302	(000000-) Seal, Sbdc, Bmpr (6650 Only)	1
▲	24 1010269	(000000-) Seal, Sbdc, Bmpr	1
▲	25 07791	(000000-) Nut, Hex, Flng, M08 X 1.25	2
▲	26 09007	(000000-) Screw, Hex, M 6 X 1.0 X 25, Ss	3
▲	27 08712	(000000-) Nut, Hex, Lock, M 6 X 1.0, NI, Ss	3
▲	28 1018368	(000000-) Strip, Retainer, Skirt	2
▲	29 60428	(000000-) Rivet, Blind, .188d X 0.58 X .38d, Stl	4
▲	30 41178	(000000-) Washer, Flat, 0.25 Fender	4
▲	31 19324	(000000-) Washer, Flat, #10 Sae	4

Fig. 41 - Fire Extinguisher Kit

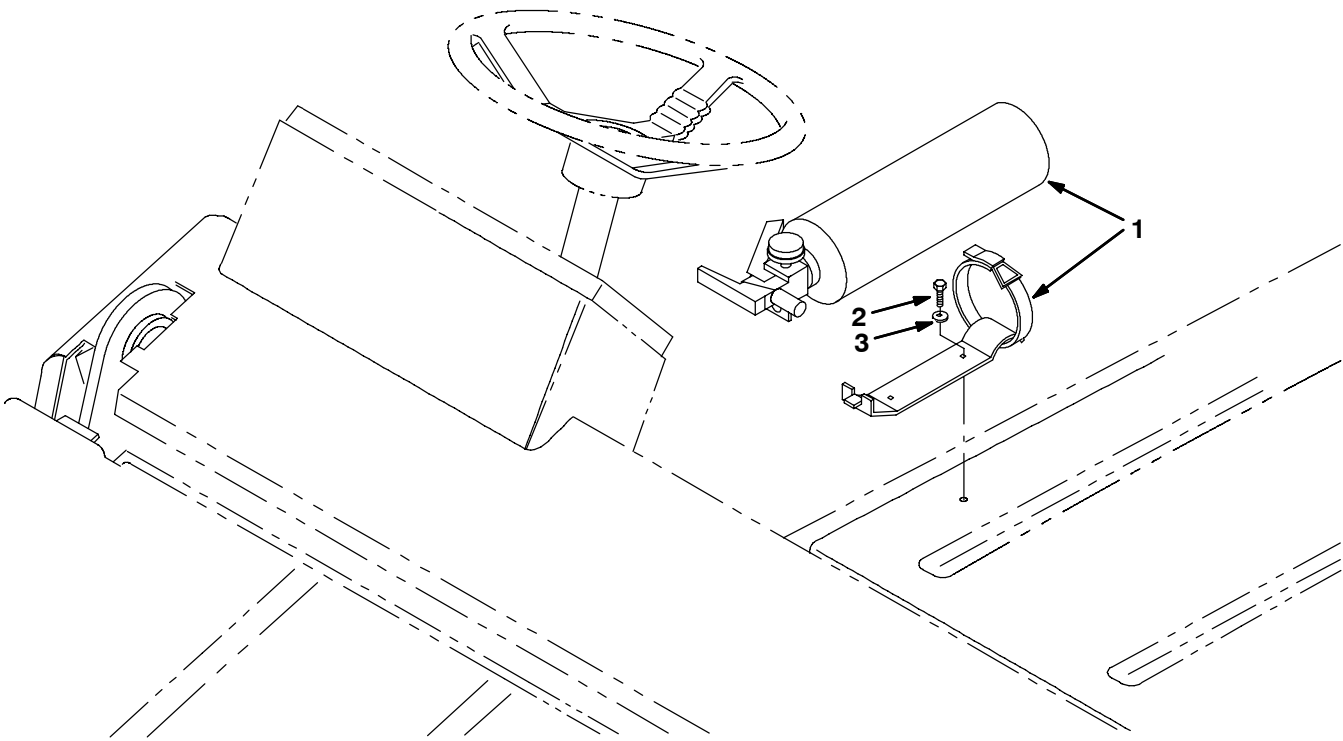
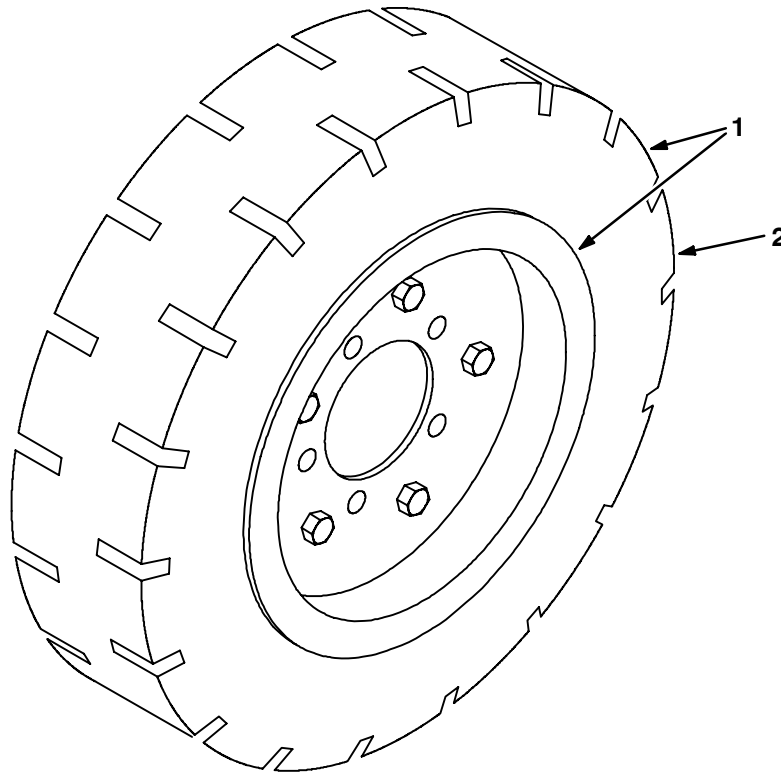


Fig. 41 - Fire Extinguisher Kit

	Ref.	Part No.	Serial Number	Description	Qty.
▽		377013	(000000-) Kit, Ci, Extinguisher, Fire, [6600/6650]	1
▲	1	25312	(000000-) Extinguisher, Fire	1
▲	2	55845	(000000-) Screw, Hex, M 5 X 0.8 X 16, Fmg	2
▲	3	32492	(000000-) Washer, Flat, 0.38 Std	2

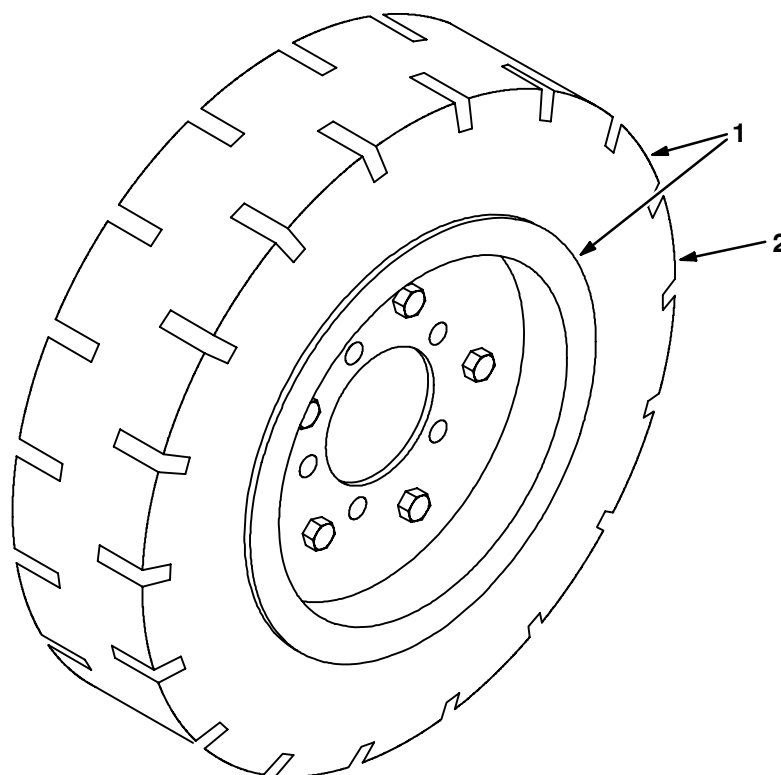
Fig. 42 - Soft Ride Non Marking Rear Tire And Wheel Assembly



354012

	Ref.	Part No.	Serial Number	Description	Qty.
▽	1	71022	(000000-) Tire Assy, Solid, 18.0x4.3 4.5bc/5bolt	1
▲	2	61488	(000000-) Tire, Solid, 18.0 X 7-8/4.33 [Sc10 Nm]	1

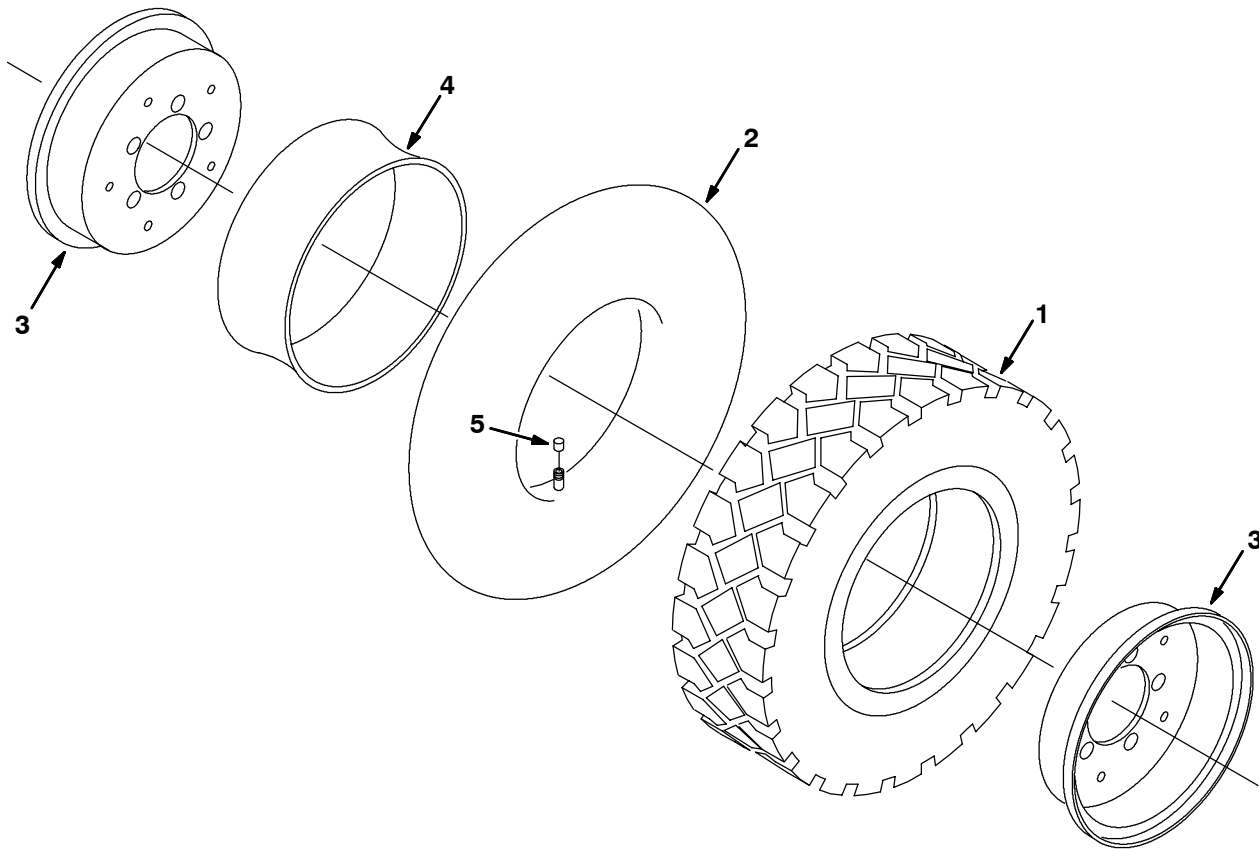
Fig. 43 - Soft Ride Rear Tire And Wheel Assembly



354012

	Ref.	Part No.	Serial Number	Description	Qty.
▽	1	53817	(000000-) Tire Assy, Solid, 18.0x4.3 4.5bc/5bolt	1
▲	2	53816	(000000-) Tire, Solid, 18.0 X 7.0 X8.0 [4.33 Sc15]	1

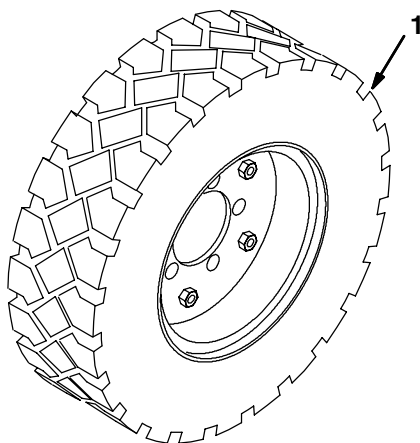
Fig. 44 - Hi-Wear Rear Tire And Wheel Assembly



354013

Ref.	Part No.	Serial Number	Description	Qty.
▽	70278	(000000-) Tire Assy, Pneu, 570/500-08 4.5bc/5bolt	1
▲	1 70279	(000000-) Tire, [5.70/5.00r-8],High Wear, [Ic80]	1
▲	2 70280	(000000-) Innertube, [5.00r-8],[Js2] Valve,[500-8]	1
▲	3 70281	(000000-) Rim Assy, 08 X 4.25 4.5bc/5b, [5.25-8]	1
▲	4 53819-2	(000000-) Flap, Tire/Tube, 570/500-8	1
▲	5 45786	(000000-) Cap, Valve, Tire, Tubeless, [Schrader]	1

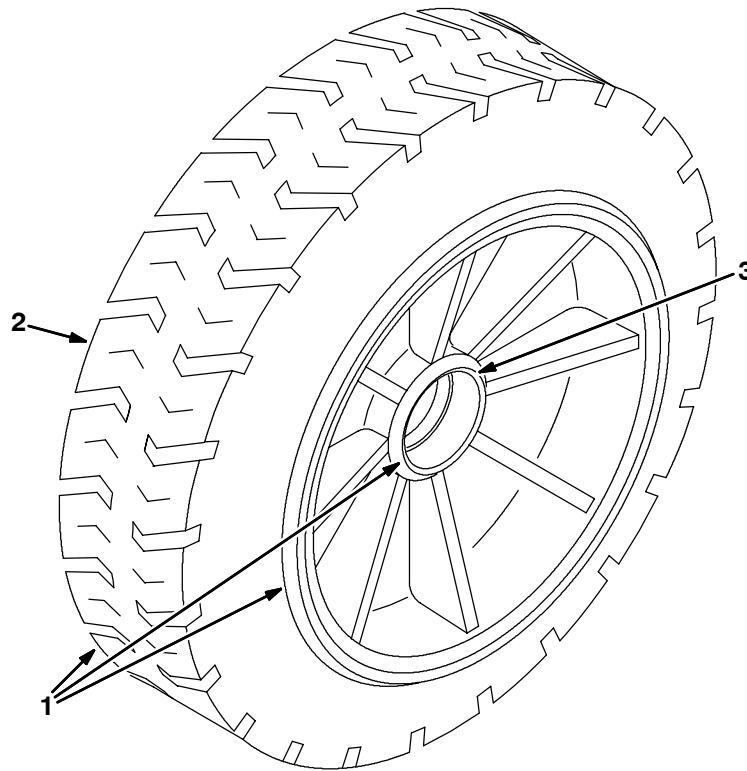
Fig. 45 - Foam Filled Rear Tire Assembly



354014

Ref.	Part No.	Serial Number	Description	Qty.
1	374602	(000000-) Tire Assy, Foam, 570/500-08 4.5bc/5bolt	1

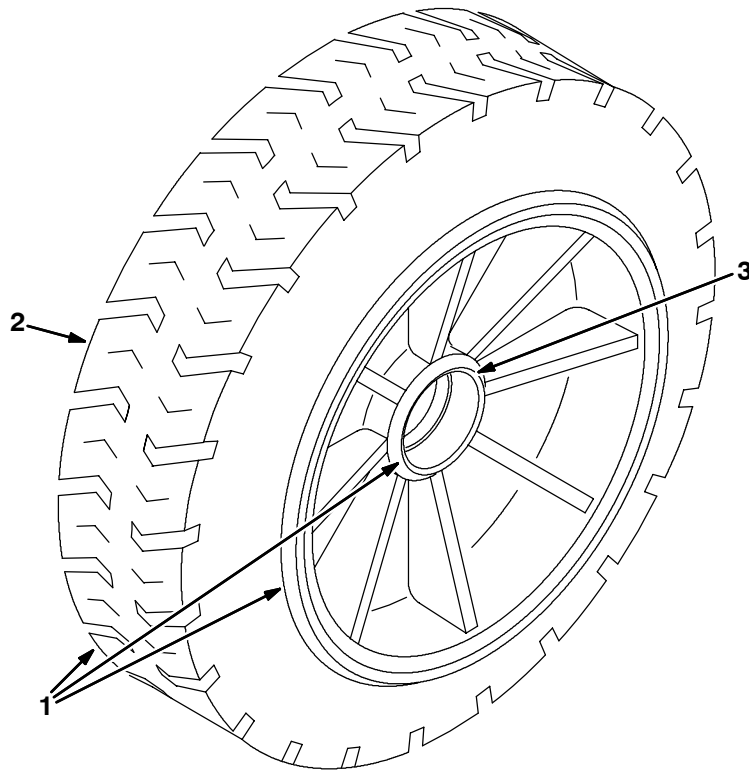
Fig. 46 - Solid Non Marking Turf Front Tire And Wheel Assembly



354015

	Ref.	Part No.	Serial Number	Description	Qty.
▽	1	374689	(000000-) Tire & Wheel Assy, Solid, Turf Non-Mark	1
▲	2	374688	(000000-) Tire, Solid, 18.0 X 7.0 Non-Mark [Mn]	1
▲	3	51338	(000000-) Bearing, Cup, 2.56d 0.55w	2

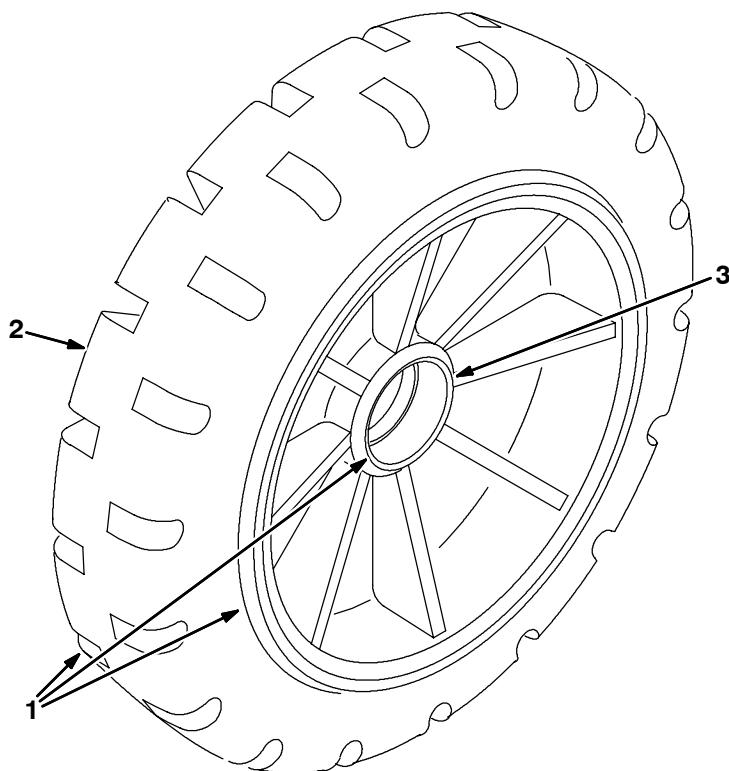
Fig. 47 - Solid Turf Tire And Wheel Assembly



354015

	Ref.	Part No.	Serial Number	Description	Qty.
▽	1	374605	(000000-) Tire Assy, Solid, 18.0x7.0 , W/ Brg	1
▲	2	374604	(000000-) Tire, Solid, 18.0 X 7.0 Turf [Mn]	1
▲	3	51338	(000000-) Bearing, Cup, 2.56d 0.55w	2

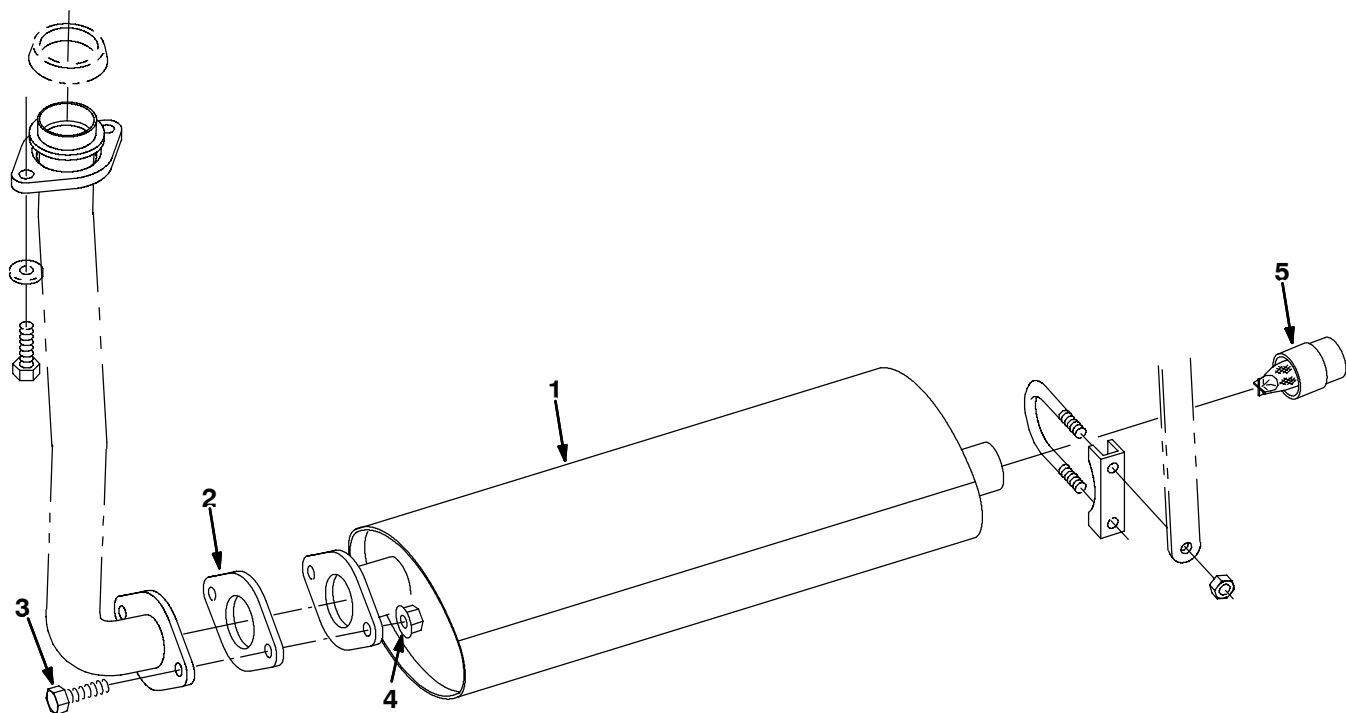
Fig. 48 - Solid Non Marking Tire And Wheel Assembly



354016

	Ref.	Part No.	Serial Number	Description	Qty.
▽	1	374608	(000000-) Tire Assy, Solid, 18.0x5.0 , W/ Brg	1
▲	2	374607	(000000-) Tire, Solid, 18.0 X 5.0 Non-Mark [Mn]	1
▲	3	51338	(000000-) Bearing, Cup, 2.56d 0.55w	2

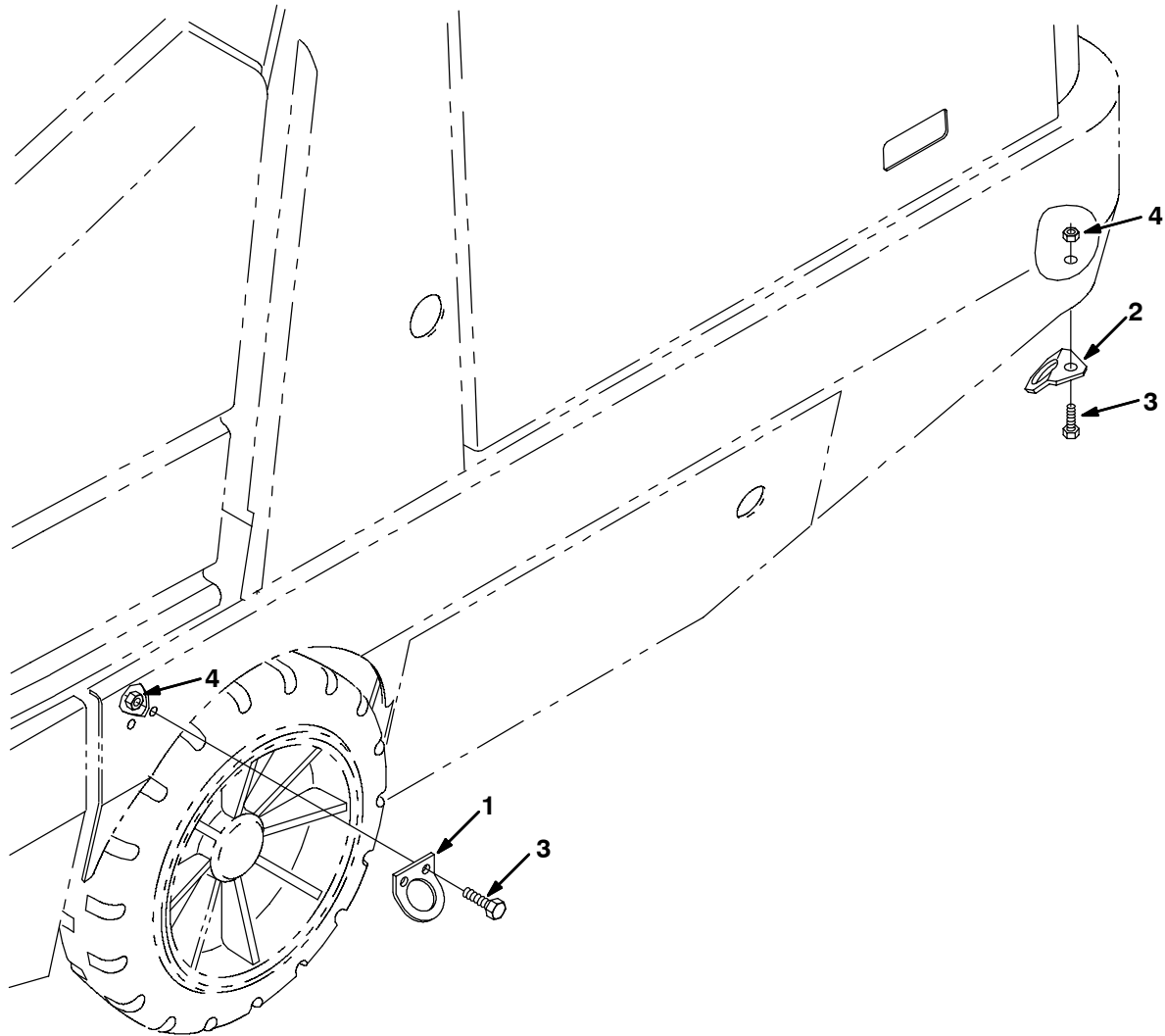
Fig. 49 - Non-Catalytic Muffler Group (010000-014999)



354196

Ref.	Part No.	Serial Number	Description	Qty.
1	1012634	(010000-014999)	Muffler, Exhaust	1
2	1011216	(010000-014999)	Gasket, Exhaust, 2 Hole, 3.4bc	1
3	39284	(010000-014999)	Screw, Hex, M10 X 1.5 X 35, 8.8	2
4	08166	(010000-014999)	Nut, Hex, Stover, M10 X 1.5	2
5	1009681	(010000-014999)	Screen, Sparkarrest	1

Fig. 50 - Transport Kit



354011

Ref.	Part No.	Serial Number	Description	Qty.
▽	379844	(000000-) Kit, Ci, Transport [6600/6650]	1
▲	1 82196	(000000-) Bracket, Tie-Down	2
▲	2 14983	(000000-) Bracket, Tie-Down	2
▲	3 39283	(000000-) Screw, Hex, M10 X 1.5 X 25, 8.8	6
▲	4 07792	(000000-) Nut, Hex, Flng, M10 X 1.5	6

Fig. 51 - Documentation Group

07501 - 6650, G, LP, NA

Ref.	Part No.	Serial Number	Description	Qty.
	330910	(000000-) Manual Pkg, [6650 Gas/Lpg Na]	1
	330935	(000000-) Manual, Cd-Rom, Service Info [6600/6650]	1
	330912	(000000-) Manual, Oprtr, [6650 Gas/Lpg Es Na]	1
	330913	(000000-) Manual, Oprtr, [6650 Gas/Lpg Fr Na]	1
	9003926	(000000-) Manual, Eng, Cd-Rom [Tier li, Gm1.6]	1
	377136	(000000-) Video, Operator [6650] Vhs Ntsc	1
	330915	(000000-) Manual Pkg, Service Info [6600/6650]	1

SECTION 4

Contents	Page
Fig. 1 - Hydraulic Piston Pump Breakdown, 373452	4-2
Fig. 2 - Hydraulic Gear Pump Breakdown, 9000210	4-4
Fig. 3 - Hydraulic Motor Breakdown, 379609	4-6
Fig. 4 - Hydraulic Motor Breakdown, 379608	4-8
Fig. 5 - Hydraulic Motor Breakdown, 379607	4-9
Fig. 6 - Hydraulic Motor Breakdown, 373340	4-10
Fig. 7 - Hydraulic Motor Breakdown, 53485	4-11
Fig. 8 - Hydraulic Steering Valve Breakdown, 1005089	4-12
Fig. 9 - Hydraulic Cylinder Breakdown, 74419	4-14
Fig. 10 - Hydraulic Cylinder Breakdown, 53601	4-15
Fig. 11 - Hydraulic Control Valve Breakdown, 1005148	4-16
Fig. 12 - Air Conditioning Condenser Breakdown, 393340	4-18
Fig. 13 - Air Conditioning Evaporator / Heater Breakdown, 1010755	4-20
Fig. 14 - Heater Pressurizer Breakdown, 1010757	4-21
Fig. 15 - LPG EFI Breakdown, 371916	4-22
Fig. 16 - LPG EFI Breakdown, 371917	4-24
Fig. 17 - Gasoline EFI Breakdown, 371909	4-26
Fig. 18 - Gasoline EFI Breakdown, 371910	4-28

Fig. 1 - Hydraulic Piston Pump Breakdown, 373452

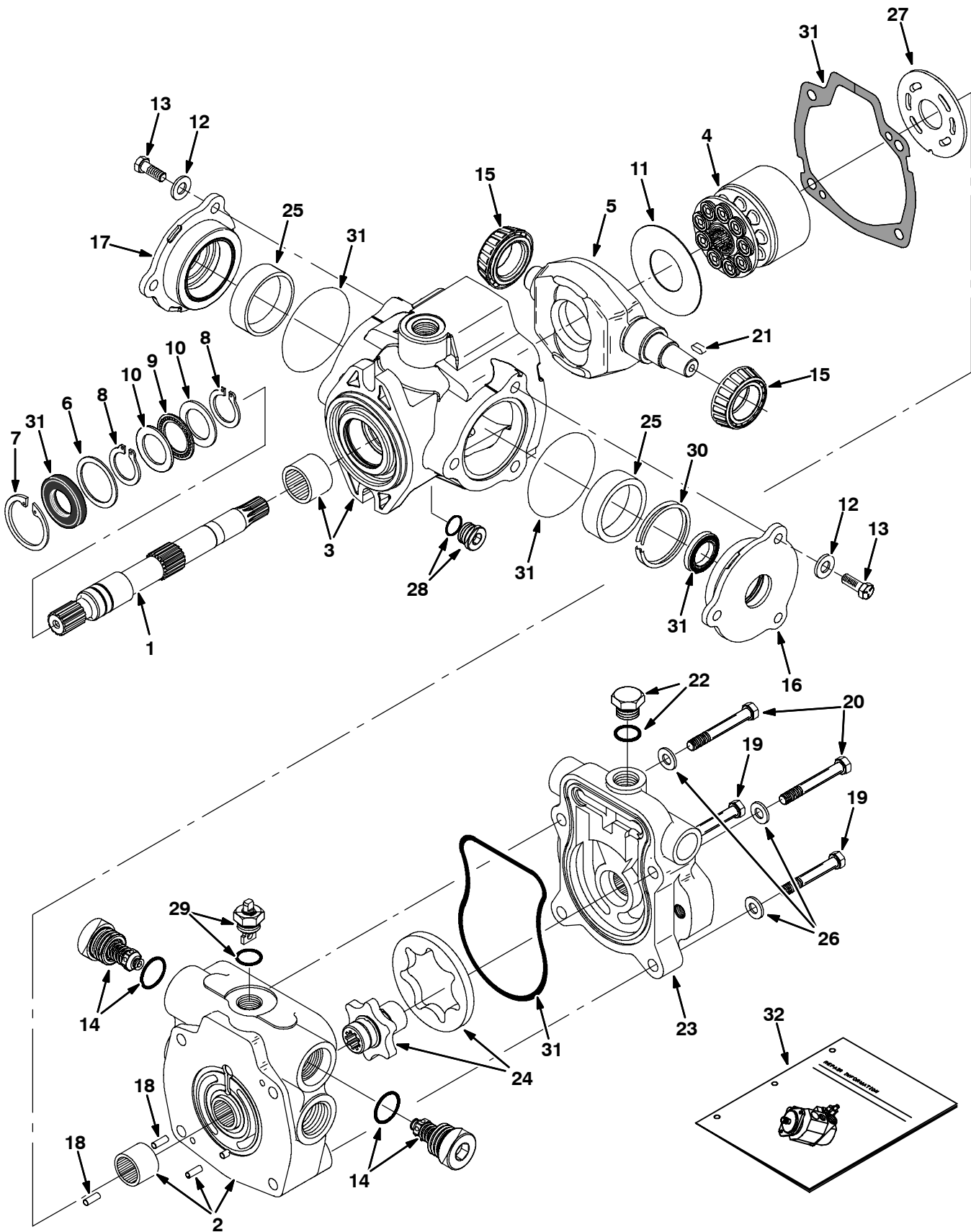


Fig. 1 - Hydraulic Piston Pump Breakdown, 373452

Ref.	Part No.	Serial Number	Description	Qty.
▽	373452	(000000-) Pump, Hyd, Piston, [V] 1.44 [R] 4000	1
▲	1 55931	(000000-) Driveshaft, Pump, Hyd	1
▲	2 373430	(000000-) Cover, End	1
▲	3 373389	(000000-) Housing	1
▲	4 02706	(000000-) Kit, Rotating, Pump, Hyd	1
▲	5 373390	(000000-) Cam	1
▲	6 70096	(000000-) Washer, Flt, Pump, Hyd	1
▲	7 55926	(000000-) Ring, Retaining, Pump, Hyd	1
▲	8 373434	(000000-) Ring, Retaining	2
▲	9 74225	(000000-) Bearing, Thrust, Pump, Hyd	1
▲	10 74226	(000000-) Race, Bearing, Pump, Hyd	2
▲	11 373327	(000000-) Insert, Plate, Cam, Pump, Hyd	1
▲	12 373391	(000000-) Washer, Pump, Hyd	6
▲	13 373346	(000000-) Screw, Cap	6
▲	14 373494	(000000-) Valve, Relief, 4000 Psi	2
▲	15 373317	(000000-) Bearing, Cone, Pump, Hyd	2
▲	16 373393	(000000-) Plate, Cover	1
▲	17 373394	(000000-) Plate, Cover	1
▲	18 70100	(000000-) Pin, Dowel, Pump, Hyd	2
▲	19 373336	(000000-) Screw, Cap, Pump, Hyd	2
▲	20 373337	(000000-) Screw, Cap, Pump, Hyd	2
▲	21 74237	(000000-) Key, Shaft, Pump, Hyd	1
▲	22 13907	(000000-) Fitting, Plug, O-Ring	1
▲	23 55930	(000000-) Adaptor Assy, Pump, Hyd	1
▲	24 55932	(000000-) Gerotor, Pump, Hyd	1
▲	25 373395	(000000-) Bearing, Cup	2
▲	26 373396	(000000-) Washer	4
▲	27 74180	(000000-) Plate, Valve, Pump, Hyd	1
▲	28 13907	(000000-) Fitting, Plug, O-Ring	1
▲	29 373413	(000000-) Actuator, Valve, Bypass	1
▲	30 373402	(000000-) Kit, Shim	1
▲	31 373398	(000000-) Kit, Seal, Hyd, Pump	1
	32 373429	(000000-) Instr, Repair, Pump	1

Fig. 2 - Hydraulic Gear Pump Breakdown, 9000210

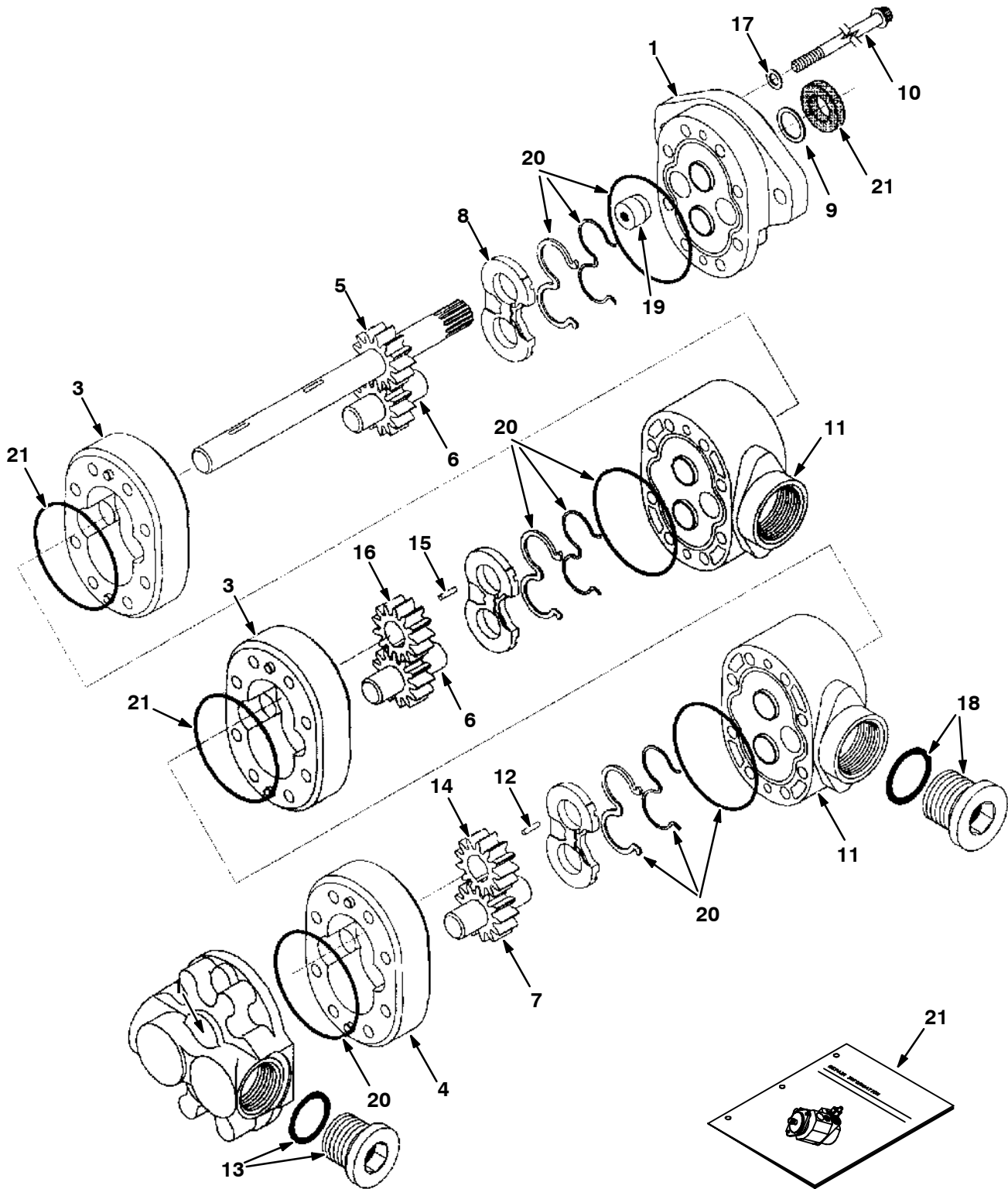


Fig. 2 - Hydraulic Gear Pump Breakdown, 9000210

Ref.	Part No.	Serial Number	Description	Qty.	
▽	9000210	(000000-) Pump, Hyd, Gear [Ex3] 0.66 [X] 3000	1	
▲	1	373201	(000000-) Plate, Front, Pump, Gear	1
▲	2	373276	(000000-) Plate, Back, Pump, Gear	1
▲	3	373232	(000000-) Body, Pump, Gear	2
▲	4	373285	(000000-) Body, Pump, Gear	1
▲	5	373257	(000000-) Gear, Drive, Pump, Hyd	1
▲	6	373211	(000000-) Gear Assy, Idler, Pump, Hyd	2
▲	7	373286	(000000-) Gear Assy, Idler, Pump, Hyd	1
▲	8	373227	(000000-) Plate, Wear, Pump, Hyd	3
▲	9	373234	(000000-) Washer, Flt	1
▲	10	74154	(000000-) Screw, Cap, Motor, Hyd	8
▲	11	373235	(000000-) Plate, Adaptor, Pump, Hyd	2
▲	12	373287	(000000-) Key, Round	1
▲	13	71725	(000000-) Plug, W/O-Ring, #16	1
▲	14	373288	(000000-) Gear, Drive, Pump, Hyd	1
▲	15	373284	(000000-) Key, Round	1
▲	16	373242	(000000-) Gear, Drive, Pump, Hyd	1
▲	17	373243	(000000-) Washer, Flt	4
▲	18	74161	(000000-) Plug, W/O-Ring #20	1
▲	19	373244	(000000-) Plug, Pump, Hyd	1
▲	20	373255	(000000-) Kit, Seal, Pump, Hyd	1
	21	373207	(000000-) Instr, Kit, Repair, Pump, Hyd	1

Fig. 3 - Hydraulic Motor Breakdown, 379609

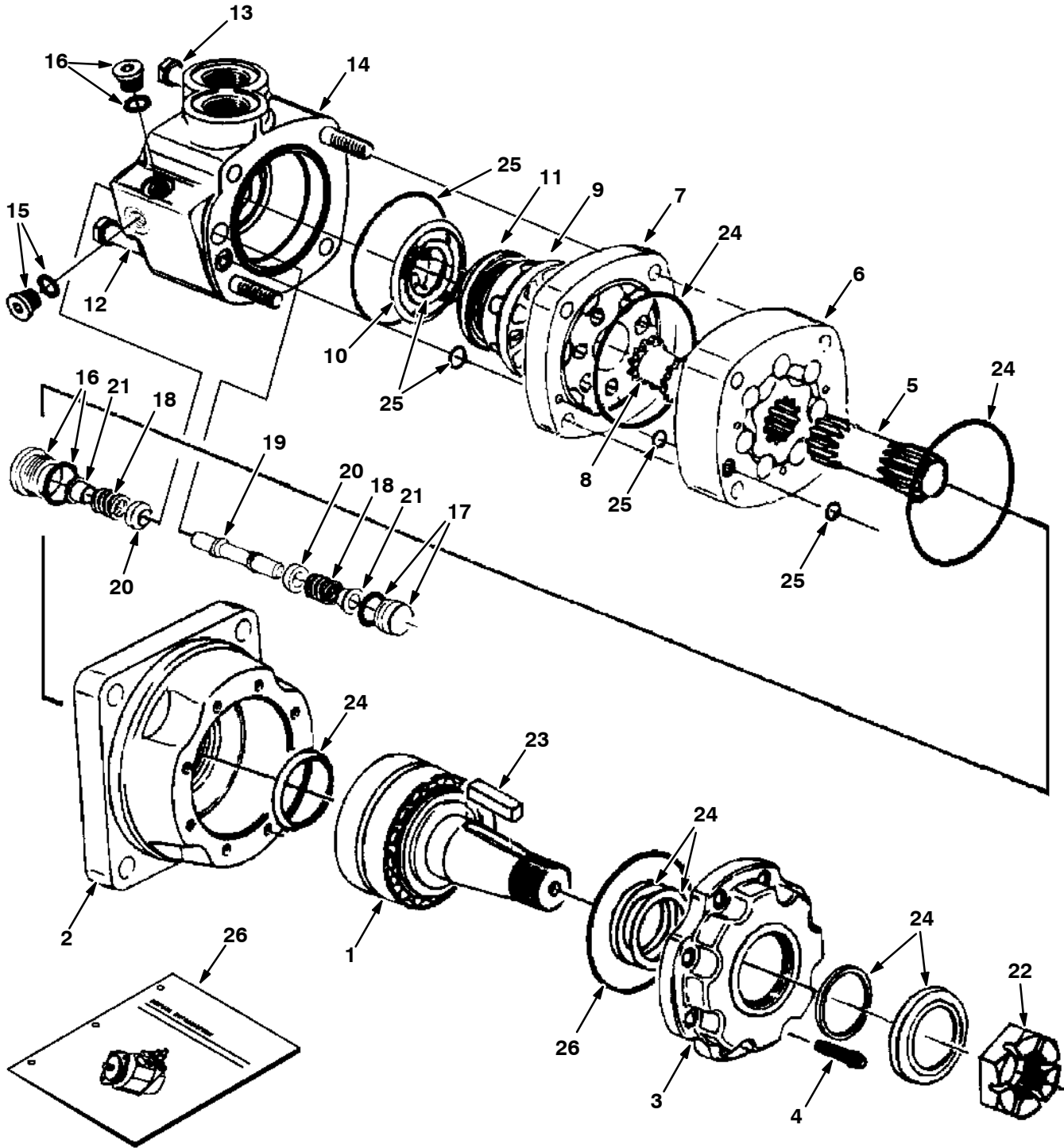
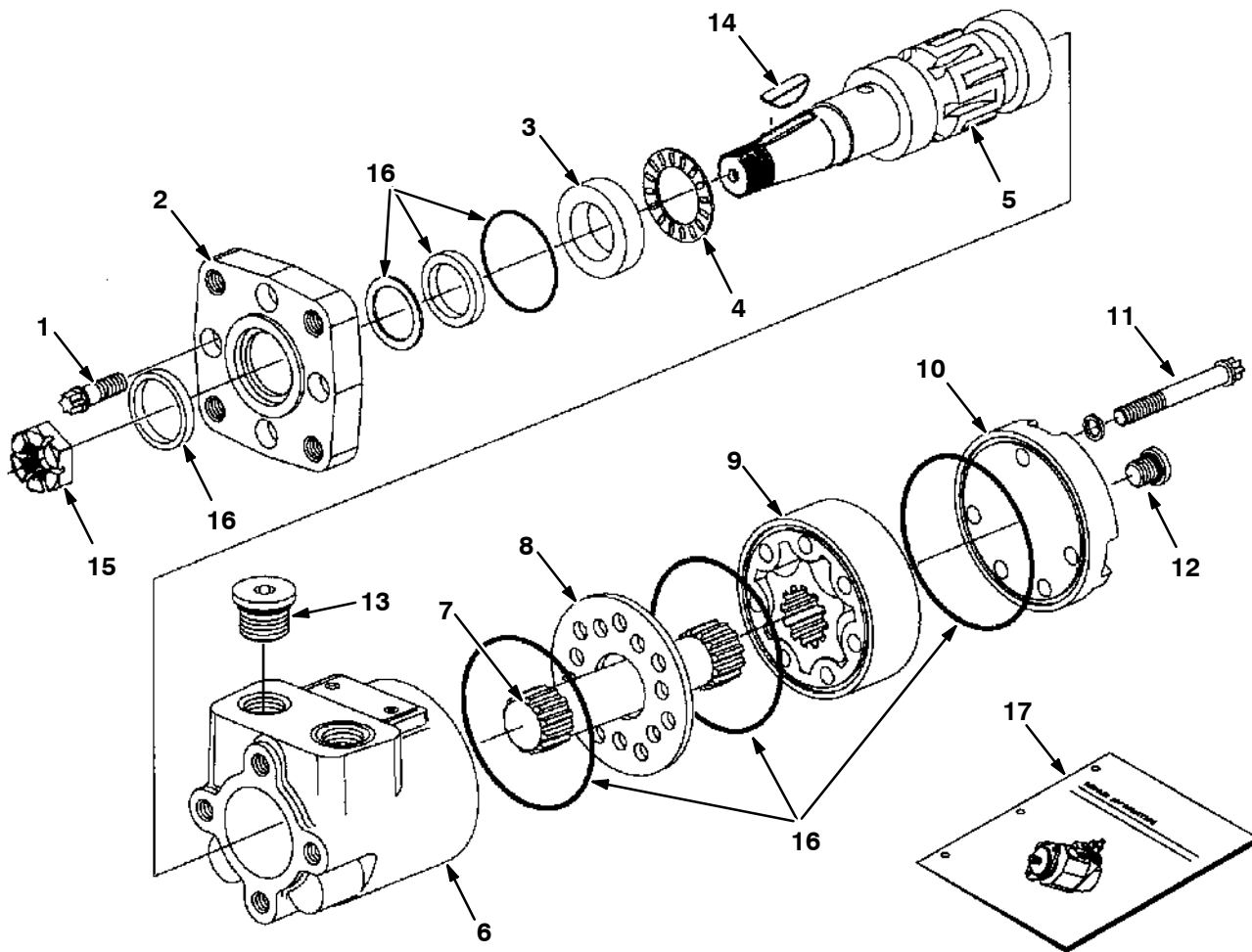


Fig. 3 - Hydraulic Motor Breakdown, 379609

Ref.	Part No.	Serial Number	Description	Qty.
▽	379609	(000000-) Motor, Hyd, Gear, [Int], 19.0 X 3000	1
▲	1 74165	(000000-) Shaft, Motor, Hyd	1
▲	2 74166	(000000-) Housing, Brg, Motor, Hyd	1
▲	3 74167	(000000-) Retainer, Motor, Hyd	1
▲	4 74168	(000000-) Screw, Cap, Motor, Hyd	8
▲	5 37616	(000000-) Drive, Motor, Hyd	1
▲	6 37756	(000000-) Geroler, Motor, Hyd	1
▲	7 74122	(000000-) Plate, Valve, Motor, Hyd	1
▲	8 52405	(000000-) Valve, Motor, Hyd	1
▲	9 74123	(000000-) Valve, Motor, Hyd	1
▲	10 34178	(000000-) Spring, Motor, Hyd	2
▲	11 38968	(000000-) Ring, Motor, Hyd	1
▲	12 74125	(000000-) Bolt, Motor, Hyd	3
▲	13 38255	(000000-) Bolt, Motor, Hyd	1
▲	14 373297	(000000-) Housing, Valve	1
▲	15 373298	(000000-) Plug	1
▲	16 373260	(000000-) Plug, Pump, Hyd, Gear	2
▲	17 373299	(000000-) Plug	1
▲	18 373291	(000000-) Spring	2
▲	19 373217	(000000-) Piston, Pump, Hyd, Gear	1
▲	20 373226	(000000-) Poppet, Pump, Hyd, Gear	2
▲	21 373236	(000000-) Sleeve, Dashpo, Pump, Hyd, Gear	2
▲	22 45622	(000000-) Nut, Motor, Hyd	1
▲	23 45623	(000000-) Key, Motor, Hyd	1
▲	24 79828	(000000-) Kit, Seal, Motor, Hyd	1
▲	25 33580	(000000-) Kit, Seal, Motor, Hyd	1
	26 79729	(000000-) Instr, Repair, Motor, Hyd, Gear	1

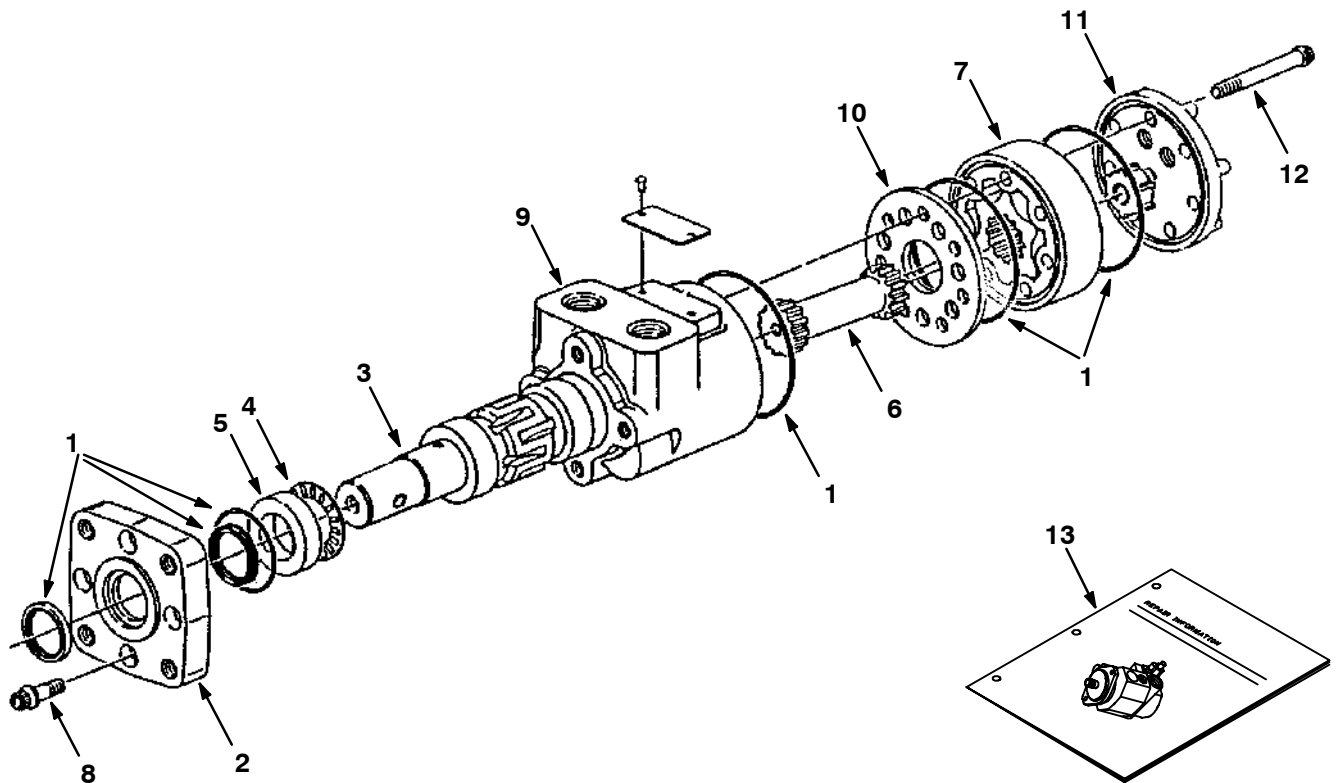
Fig. 4 - Hydraulic Motor Breakdown, 379608



09606 - 09670

Ref.	Part No.	Serial Number	Description	Qty.	
▽	379608	(000000-) Motor, Hyd, Gear, [In] 02.8 1500	1	
▲	1	37555	(000000-) Screw, Motor, Hyd	4
▲	2	31354	(000000-) Flange, Motor, Hyd	1
▲	3	16695	(000000-) Race, Thrust, Motor, Hyd	1
▲	4	45628	(000000-) Bearing, Thrust, Motor, Hyd	1
▲	5	31375	(000000-) Shaft, Output, Motor, Hyd	1
▲	6	74100	(000000-) Housing, Motor, Hyd	1
▲	7	34176	(000000-) Drive, Motor, Hyd	1
▲	8	74094	(000000-) Plate, Spacer, Motor, Hyd	1
▲	9	31381	(000000-) Gerotor Set, Motor, Hyd	1
▲	10	74095	(000000-) End Cap, Motor, Hyd	1
▲	11	74174	(000000-) Cap, Screw, Strg Valve	5
▲	12	74098	(000000-) Fitting, Plug, O-Ring, #4	1
▲	13	74099	(000000-) Fitting, Plug, O-Ring, Motor, Hyd	2
▲	14	00500-15	(000000-) Key, Woodruff, 0.25 1.00, [Asa#0808]	1
▲	15	39527	(000000-) Nut, Hex, Slt'd, .75-16	1
▲	16	61490 22654	-) Kit, Reprint , Seal, Motor, Hyd	1	
▲	17	22654 74250	-) Kit, Seal, Motor, Hyd Inst, Motor, Hyd	1	

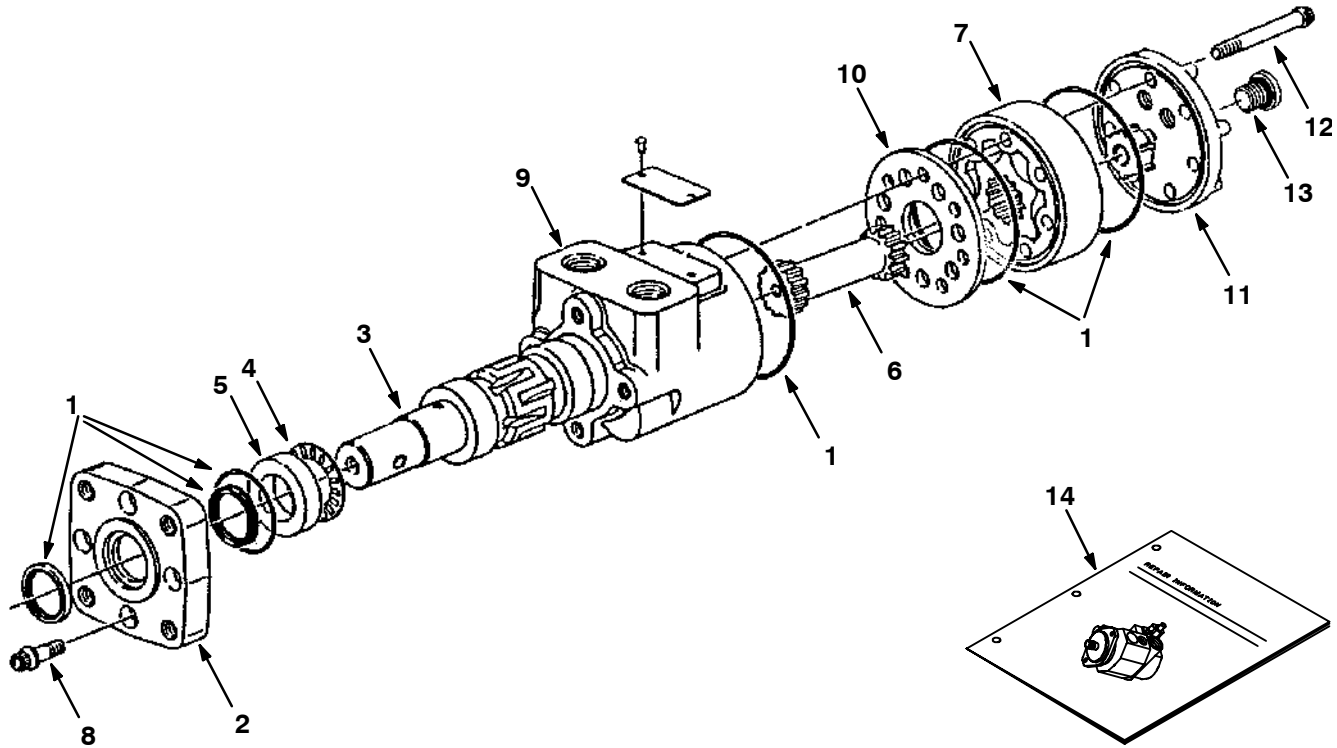
Fig. 5 - Hydraulic Motor Breakdown, 379607



08926 - 09670

Ref.	Part No.	Serial Number	Description	Qty.
▽	379607	(000000-) Motor, Hyd, Gear, [In] 17.9 B 1500	1
▲	1 22654	(000000-) Kit, Seal, Motor, Hyd	1
▲	2 31354	(000000-) Flange, Motor, Hyd	1
▲	3 31373	(000000-) Shaft, Output, Motor, Hyd	1
▲	4 45628	(000000-) Bearing, Thrust, Motor, Hyd	1
▲	5 16695	(000000-) Race, Thrust, Motor, Hyd	1
▲	6 31380	(000000-) Drive, Motor, Hyd	1
▲	7 31385	(000000-) Gerotor Set, Motor, Hyd	1
▲	8 37555	(000000-) Screw, Motor, Hyd	4
▲	9 74100	(000000-) Housing, Motor, Hyd	1
▲	10 74094	(000000-) Plate, Spacer, Motor, Hyd	1
▲	11 74101	(000000-) Cap, End, Motor, Hyd	1
▲	12 65232	(000000-) Screw, Cap, Motor, Hyd	5
	13 74250	(000000-) Instruction, Repair, Motor, Hyd	1

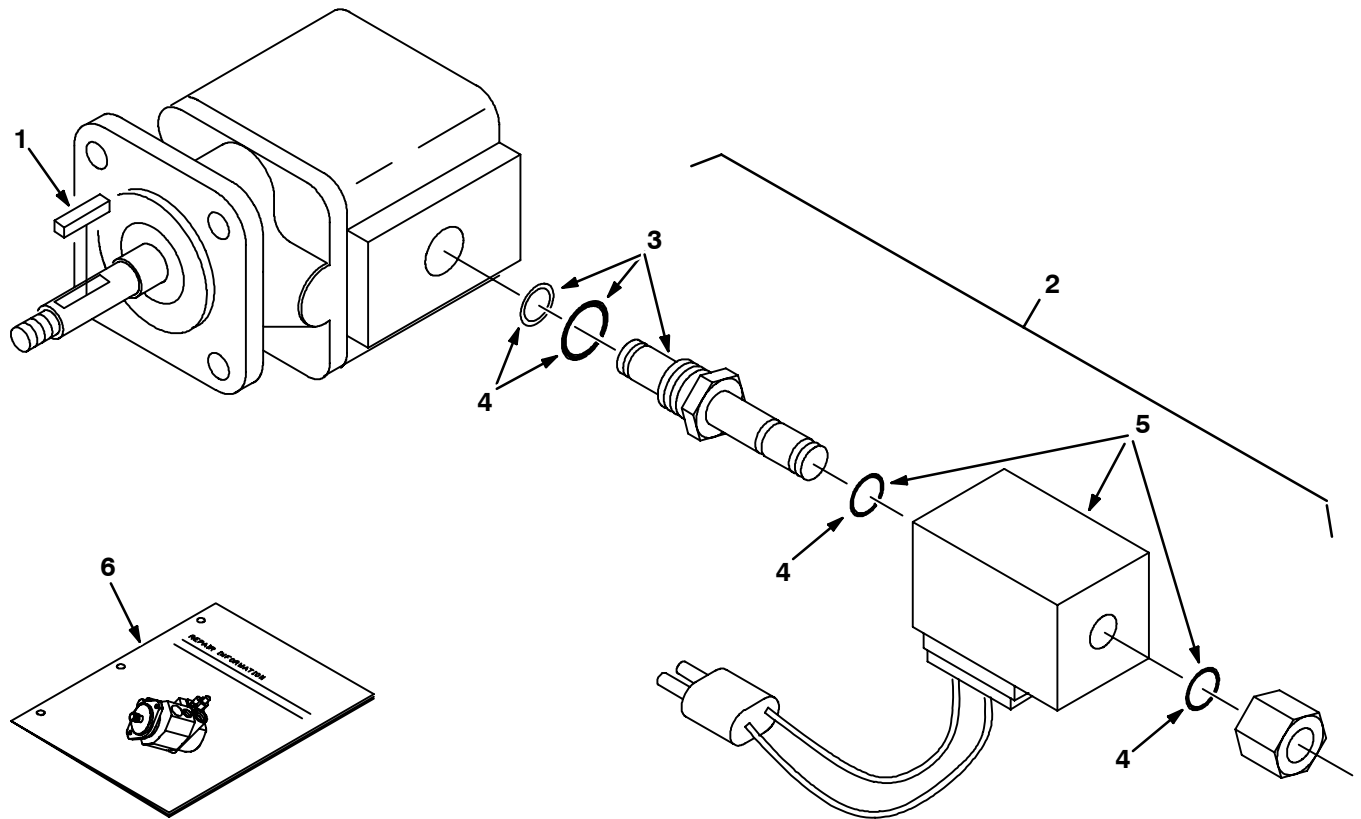
Fig. 6 - Hydraulic Motor Breakdown, 373340



08926-09670-6550, IC

Ref.	Part No.	Serial Number	Description	Qty.
▽	373340	(000000-) Motor, Hydraulic	1
▲	1 22654	(000000-) Seal Kit	1
▲	2 31354	(000000-) Flange, Mounting	1
▲	3 31373	(000000-) Output Shaft	1
▲	4 45628	(000000-) Bearing Thrust	1
▲	5 16695	(000000-) Race, Thrust	1
▲	6 31377	(000000-) Drive	1
▲	7 31384	(000000-) Gerotor Set	1
▲	8 37555	(000000-) Screw	4
▲	9 74100	(000000-) Housing	1
▲	10 74094	(000000-) Spacer Plate	1
▲	11 74101	(000000-) End Cap	1
▲	12 22622	(000000-) Screw, Cap	5
▲	13 74098	(000000-) Plug	1
▲	14 74250	(000000-) Repair Info.	1

Fig. 7 - Hydraulic Motor Breakdown, 53485



07490 - 09670

Ref.	Part No.	Serial Number	Description	Qty.
▽	53485	(000000-) Motor, Hyd, Gear, [Ex] .194 R 3000	1
▲	74233	(000000-) Kit, Seal, Motor, Hyd, Gear	1
▲	1 00966	(000000-) Key, Sq, 0.12 X 0.12, 00.75l	1
▲▽	2 54095	(000000-) Valve, Hyd, Cartridge	1
▲▲	3 59378	(000000-) Valve Stem, N.O.Valve, Hyd	1
▲▲	4 48813	(000000-) Kit, Seal, Valve, Hyd	1
▲▲	5 35493	(000000-) Solenoid, 12v, Valve, Hyd	1
	6 IB3614	(000000-) Instr, Seal Kit, Motor, F/74147	1

Fig. 8 - Hydraulic Steering Valve Breakdown, 1005089

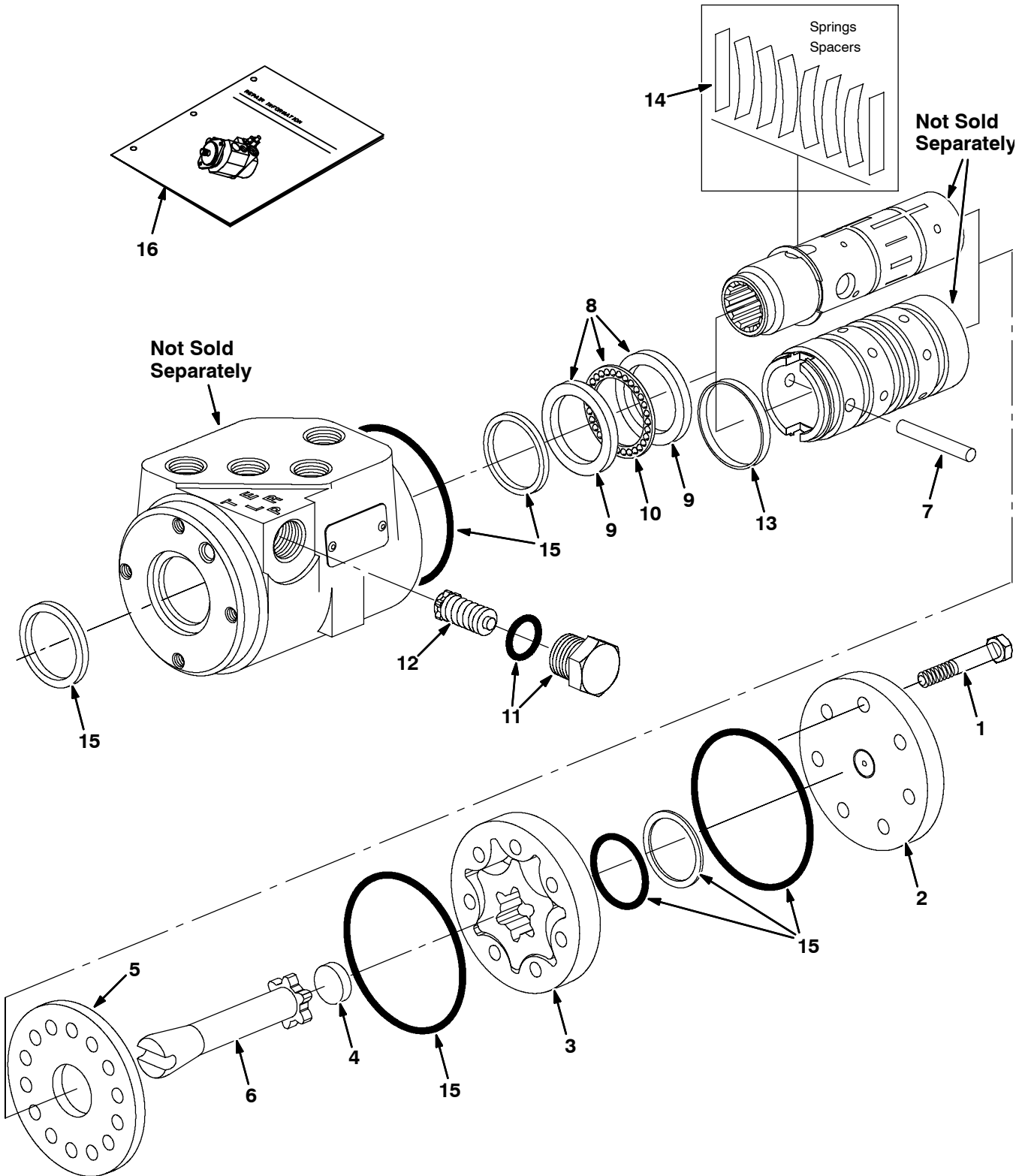
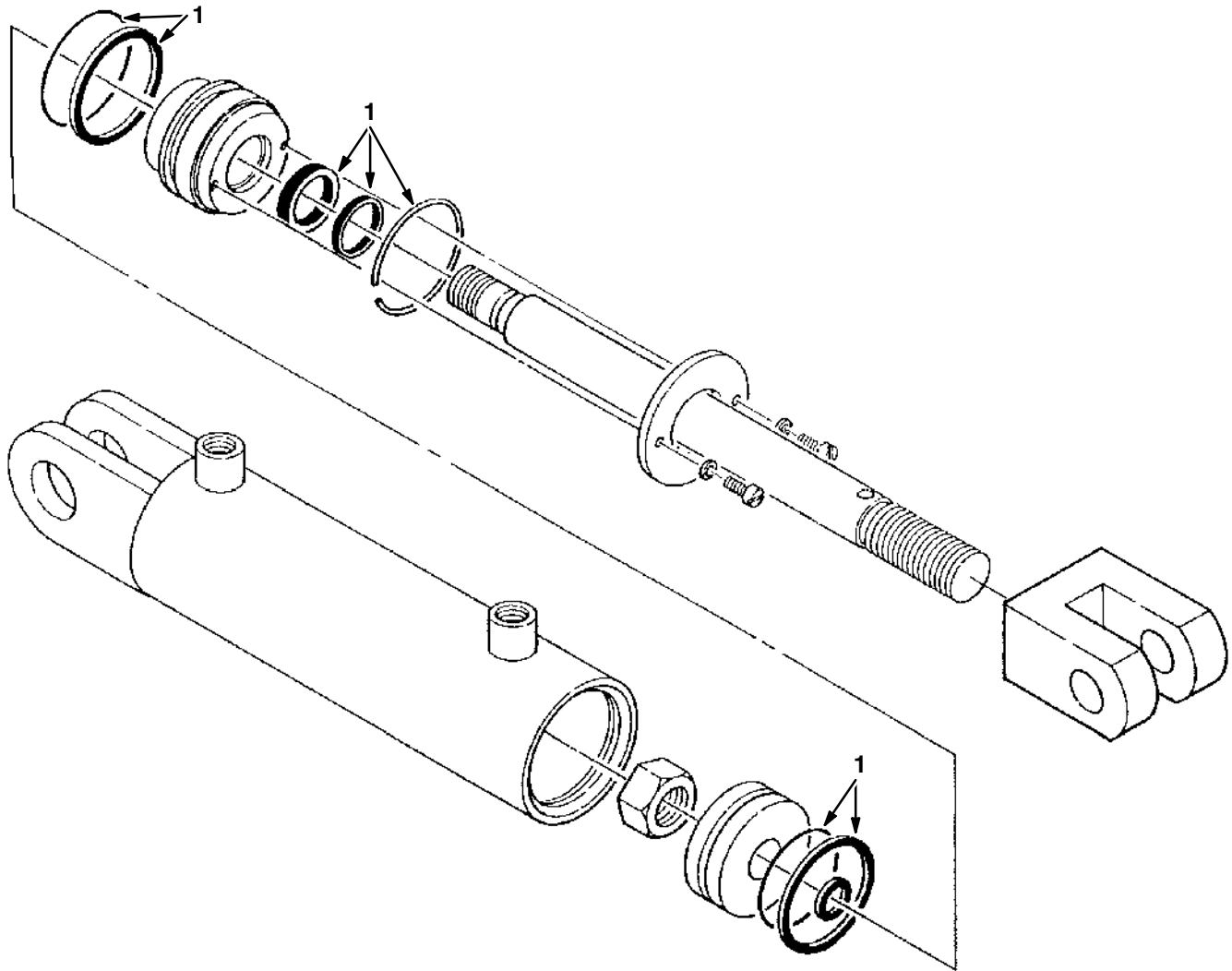


Fig. 8 - Hydraulic Steering Valve Breakdown, 1005089

	Ref.	Part No.	Serial Number	Description	Qty.
▽		1005089	(000000-) Steer-Control, Hyd	1
▲	1	74183	(000000-) Screw, Valve, Strg	7
▲	2	74185	(000000-) Cap, End, Valve, Strg	1
▲	3	74192	(000000-) Gerotor, Valve, Strg	1
▲	4	74193	(000000-) Spacer, Valve, Strg	1
▲	5	74222	(000000-) Plate, Wear, Valve, Strg	1
▲	6	74231	(000000-) Drive, Valve, Strg	1
▲	7	74232	(000000-) Pin, Valve, Strg	1
▲▽	8	21935	(000000-) Bearing Kit	1
▲▲	9	74234	(000000-) Race, Bearing, Valve, Strg	2
▲▲	10	74236	(000000-) Bearing, Valve, Strg	1
▲	11	21933	(000000-) Plug Assy	1
▲	12	373560	(000000-) Valve Assy, Relief	1
▲	13	74243	(000000-) Ring, Retainer, Valve, Strg	1
▲	14	74196	(000000-) Kit, Spring, Valve, Strg	1
▲	15	74244	(000000-) Kit, Seal, Hyd, Valve, Strg	1
	16	74245	(000000-) Instruction, Repair, Valve, Strg	1

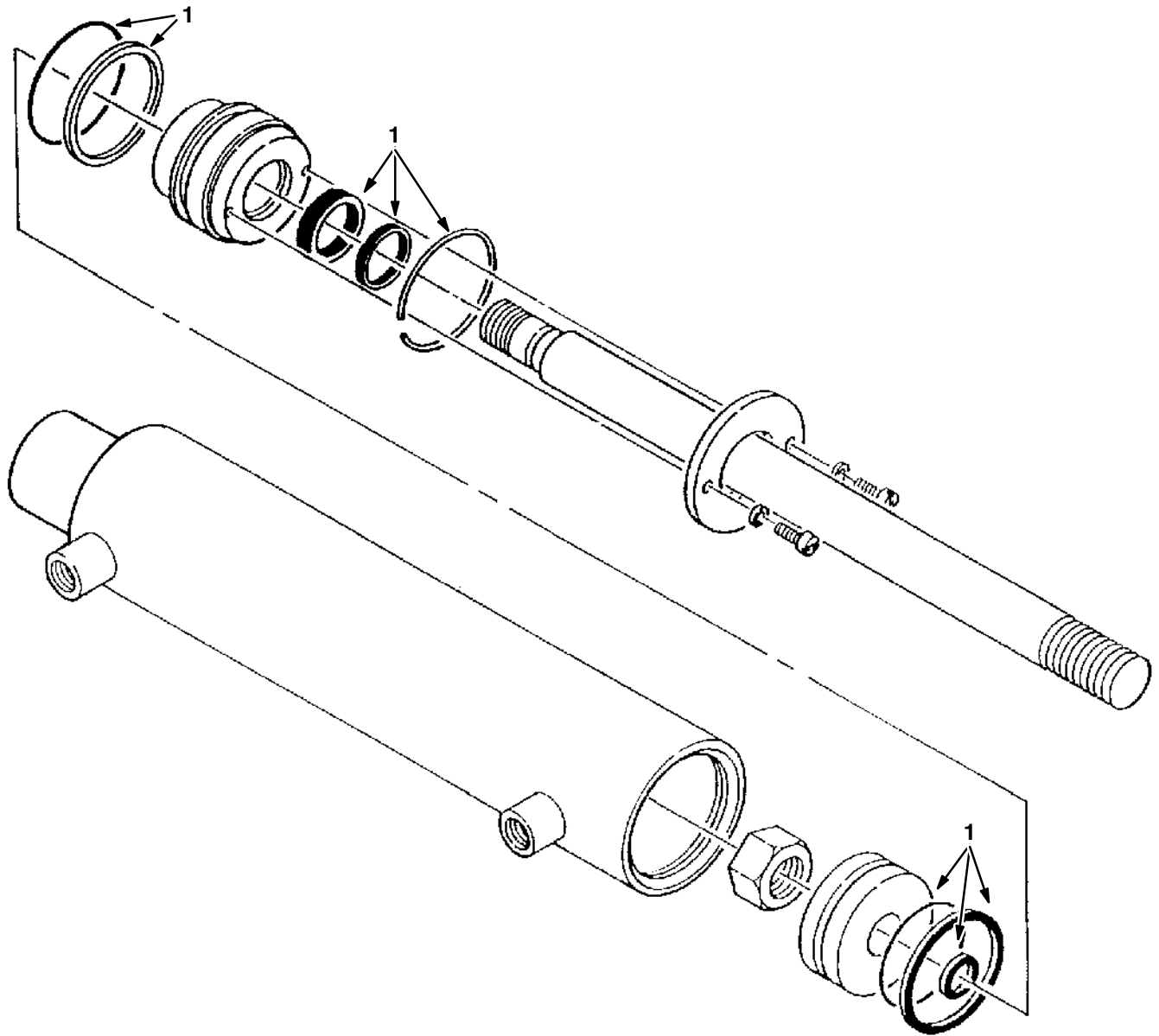
Fig. 9 - Hydraulic Cylinder Breakdown, 74419



07493

	Ref.	Part No.	Serial Number	Description	Qty.
▽		74419	(000000-) Cylinder, Hyd, 2.5b,28.4l,15.00strk,2500	1
▲	1	59335	(000000-) Kit, Seal, Cyl, Hyd	1

Fig. 10 - Hydraulic Cylinder Breakdown, 53601



07494

Ref.	Part No.	Serial Number	Description	Qty.
▽	53601	(000000-) Cylinder, Hyd, 2.0b,15.0l,08.00strk,1500	1
▲	1 04483	(000000-) Kit, Seal, Cyl, Hyd	1

Fig. 11 - Hydraulic Control Valve Breakdown, 1005148

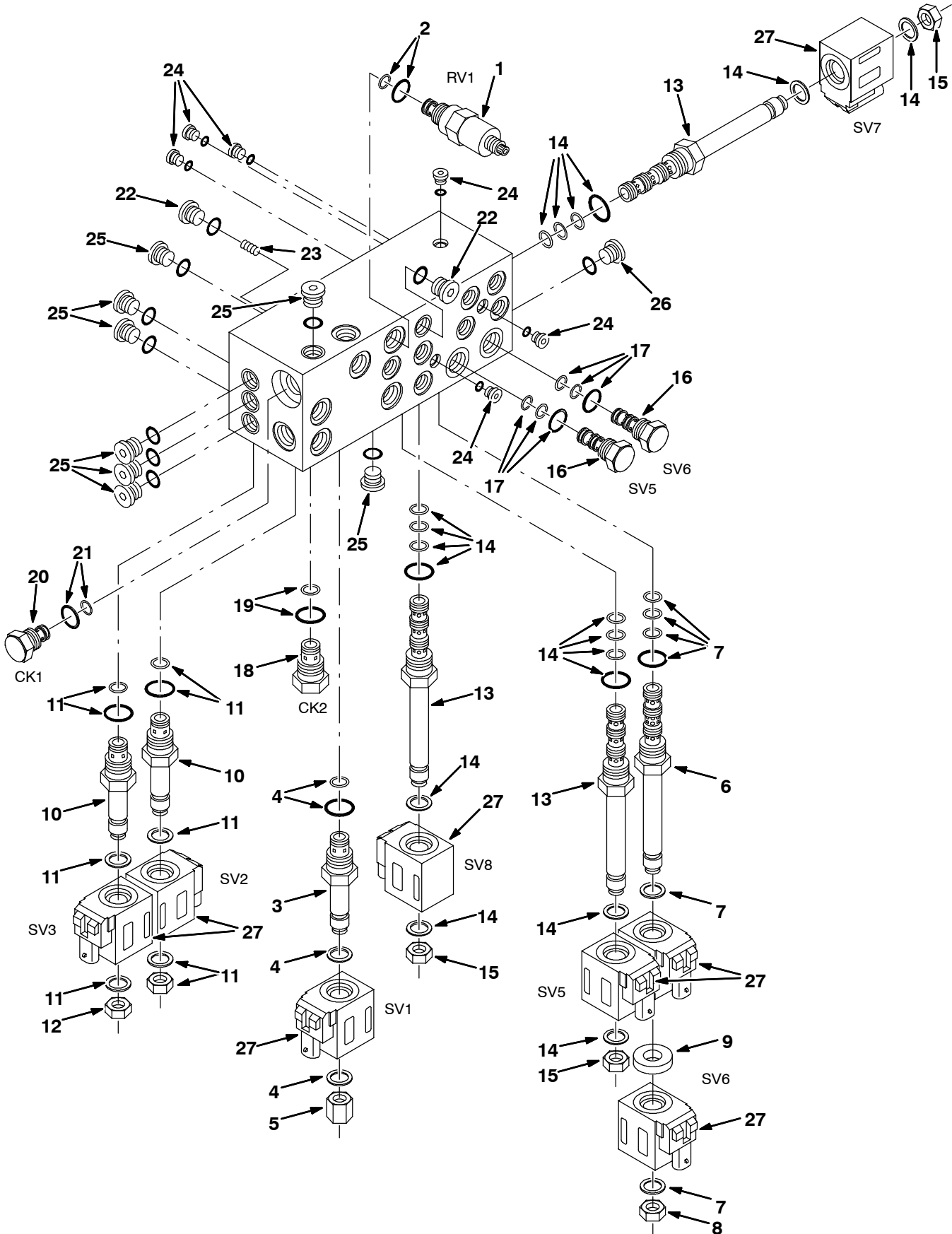


Fig. 11 - Hydraulic Control Valve Breakdown, 1005148

	Ref.	Part No.	Serial Number	Description	Qty.
▽		1005148	(000000-) Valve, Cntrl, Hyd [6650]	1
▲▽	1	373576	(000000-) Cart, PSI Cntrl	1
▲▲	2	373582	(000000-) Seal Kit, Cart	1
▲▽	3	373575	(000000-) Cart, Sol. Cntrl	1
▲▲	4	373582	(000000-) Seal Kit, Cart	1
▲▲	5	373585	(000000-) Nut, Long	1
▲▽	6	373577	(000000-) Cart, Sol. Cntrl	1
▲▲	7	373582	(000000-) Seal Kit, Cart	1
▲▲	8	373584	(000000-) Nut, Short	1
▲▲	9	373583	(000000-) Spacer, Coil	1
▲▽	10	373574	(000000-) Cart, Sol. Cntrl	2
▲▲	11	373582	(000000-) Seal Kit, Cart	1
▲▲	12	373584	(000000-) Nut, Short	1
▲▽	13	373573	(000000-) Cart, Sol. Cntrl	3
▲▲	14	373582	(000000-) Seal Kit, Cart	1
▲▲	15	373584	(000000-) Nut, Short	1
▲▽	16	373578	(000000-) Cart, Plt. Cntrl	2
▲▲	17	373582	(000000-) Seal Kit, Cart	1
▲▽	18	373579	(000000-) Cart, Check Vlv	1
▲▲	19	373582	(000000-) Seal Kit, Cart	1
▲▽	20	373580	(000000-) Cart, Check Vlv	1
▲▲	21	373582	(000000-) Seal Kit, Cart	1
▲	22	13904	(000000-) Fitting, Plug, O-Ring, #6, Valve	2
▲	23	373581	(000000-) Oriface, Plug	1
▲	24	13902	(000000-) Fitting, Plug, O-Ring, #2, Valve	6
▲	25	373586	(000000-) Plug, #5 O-Ring Ph	8
▲	26	74098	(000000-) Fitting, Plug, O-Ring, #4	1
▲	27	373554	(000000-) Coil, 12V Sol	8

Fig. 12 - Air Conditioning Condenser Breakdown, 393340

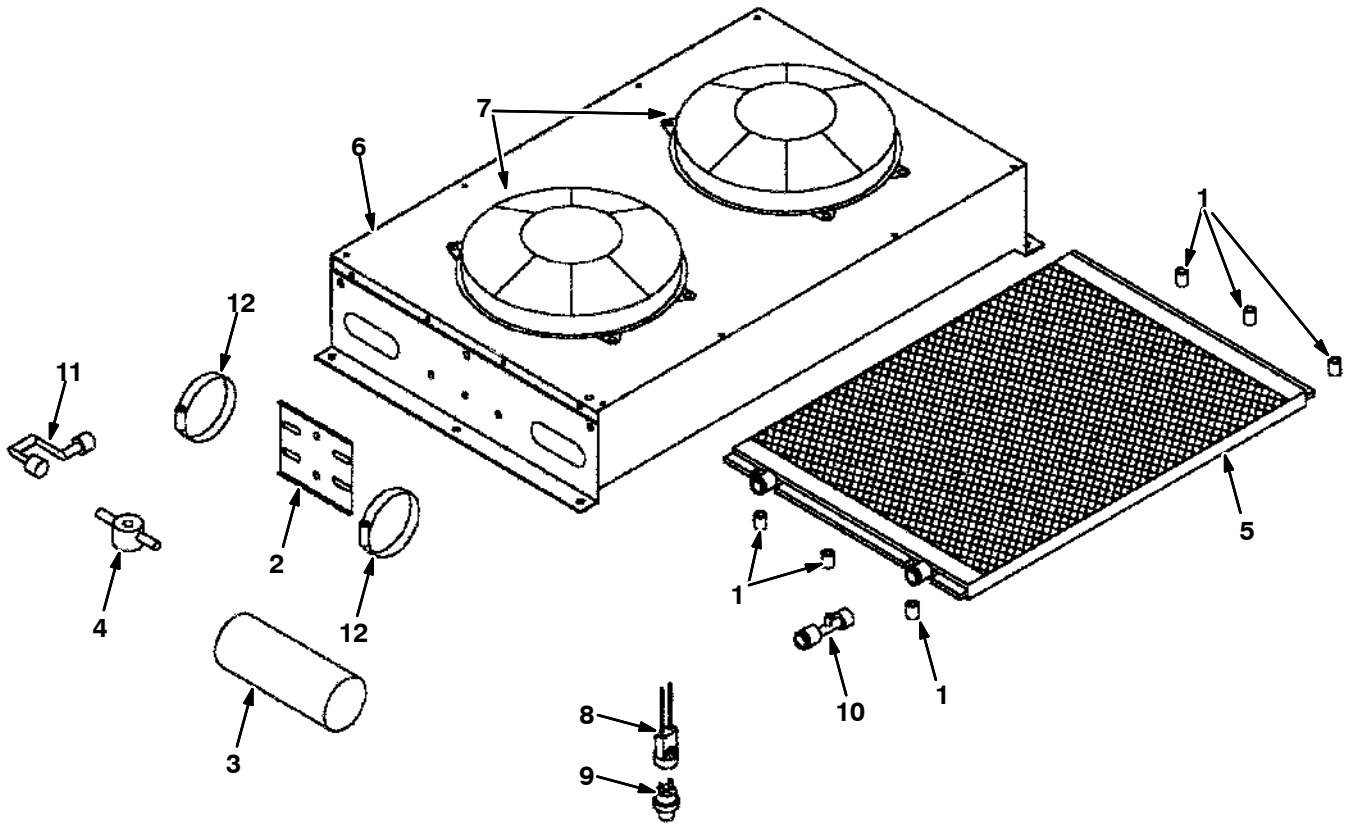
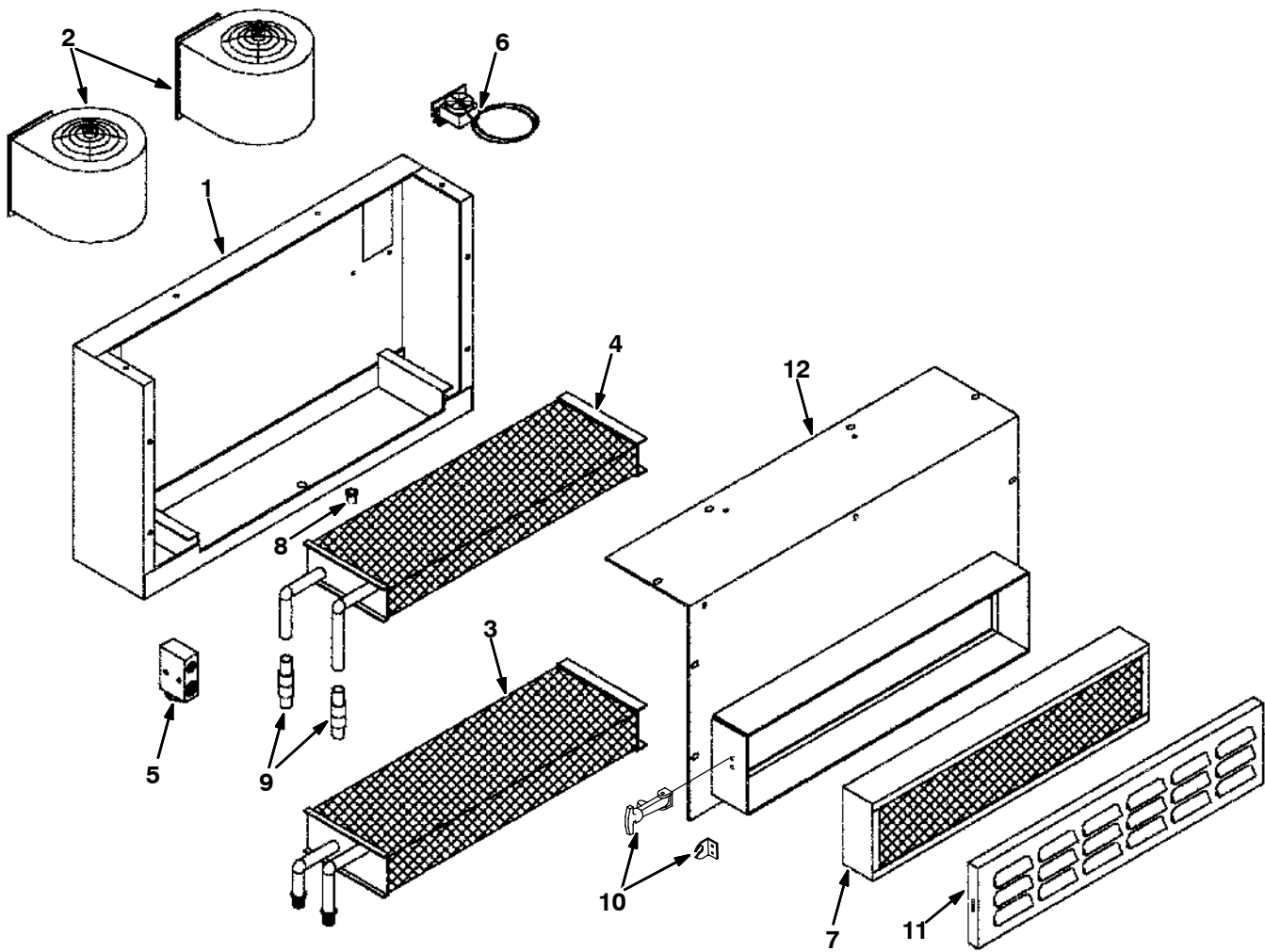


Fig. 12 - Air Conditioning Condenser Breakdown, 393340

	Ref.	Part No.	Serial Number	Description	Qty.
▽		393340	(000000-) Condenser Assy, A/C, W /Fan	1
▲	1	393341	(000000-) Spacer, Steel, Condenser, A/C	6
▲	2	393342	(000000-) Bracket, Mtg, Drier, A/C	1
▲	3	393343	(000000-) Drier, A/C	1
▲	4	393344	(000000-) Glass, Sight, A/C	1
▲	5	393345	(000000-) Coil, Condenser, A/C	1
▲	6	393346	(000000-) Housing, Condenser/Fan, A/C	1
▲	7	393347	(000000-) Fan, Condenser, 12vdc, A/C	2
▲	8	393348	(000000-) Boot, Switch, Binary, A/C	1
▲	9	393349	(000000-) Switch, Binary, A/C	1
▲	10	393350	(000000-) Fitting, Valve, Schrader, A/C	1
▲	11	393351	(000000-) Fitting, Condenser, Left, A/C	1
▲	12	83584	(000000-) Clamp, Hose, Wormdrive, 1.31-3.25d	2

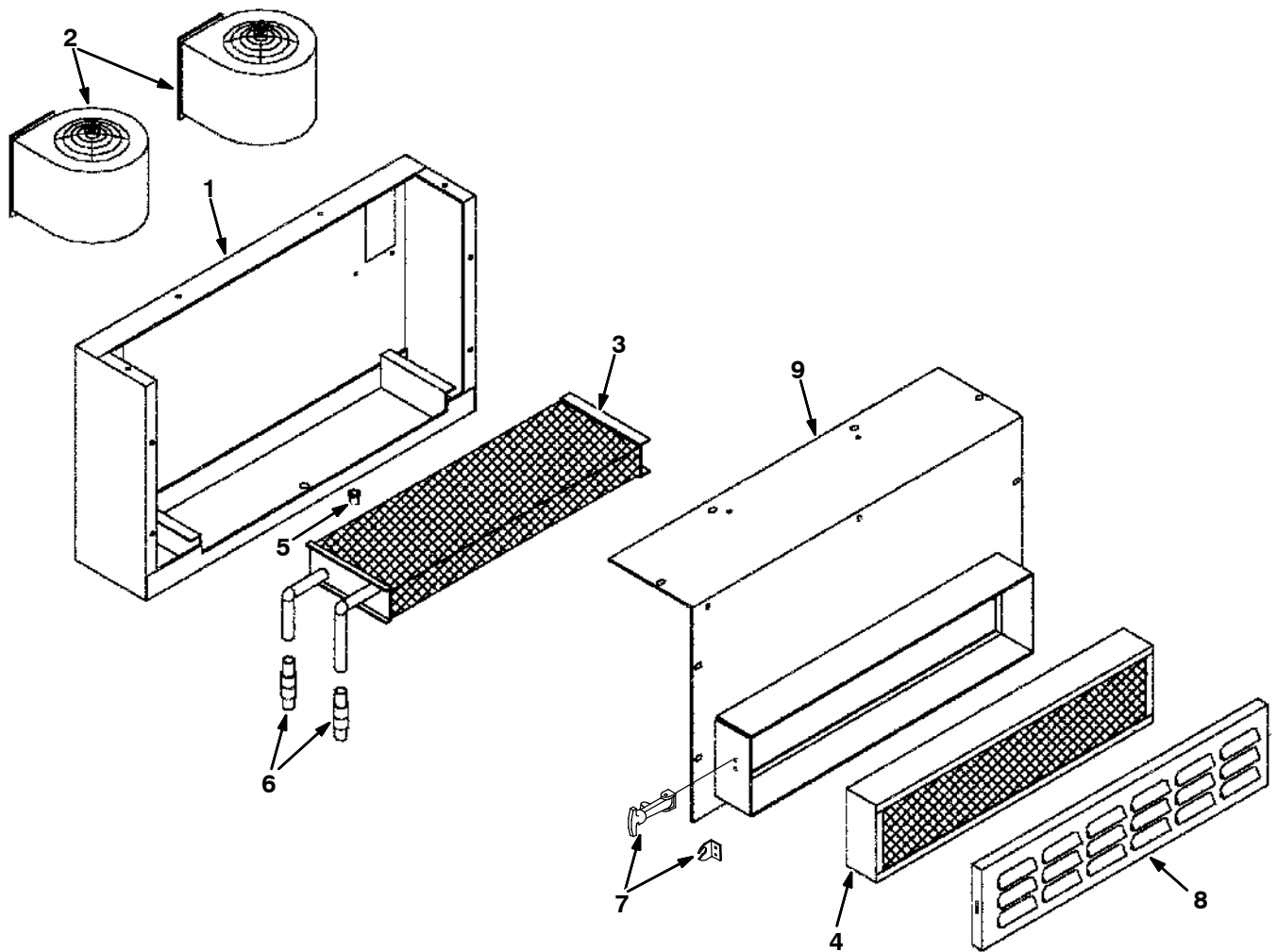
Fig. 13 - Air Conditioning Evaporator / Heater Breakdown, 1010755



IC

Ref.	Part No.	Serial Number	Description	Qty.
▽	1010755	(000000-) Heater & A/C Assy [R134]	1
▲	1 9000902	(000000-) Housing, Blower, A/C [6600]	1
▲	2 393330	(000000-) Motor, Blower, 12vdc, A/C	2
▲	3 393331	(000000-) Coil, Evaporator, A/C	1
▲	4 393332	(000000-) Core, Heater	1
▲	5 393333	(000000-) Block, Expansion, A/C	1
▲	6 393334	(000000-) Thermostat, A/C	1
▲	7 393335	(000000-) Filter, Air, A/C	1
▲	8 393336	(000000-) Valve, Drain, A/C	1
▲	9 393337	(000000-) Adaptor, Tube, A/C	2
▲	10 9000860	(000000-) Latch, Rbr, A/C Cover W/ Rivets	2
▲	11 9000903	(000000-) Cover, Fltr, A/C [6600]	1
▲	12 9000904	(000000-) Cover, Hsng, Blower [6600]	1
▲	377109	(000000-) Harness, Heater/Evaporator [6600/6650]	1

Fig. 14 - Heater Pressurizer Breakdown, 1010757



Ref.	Part No.	Serial Number	Description	Qty.	
▽	1010757	(000000-) Heater/Presszr Assy	1	
▲	1	9000902	(000000-) Housing, Blower, A/C [6600]	1
▲	2	393330	(000000-) Motor, Blower, 12vdc, A/C	2
▲	3	393332	(000000-) Core, Heater	1
▲	4	393335	(000000-) Filter, Air, A/C	1
▲	5	393336	(000000-) Valve, Drain, A/C	1
▲	6	393337	(000000-) Adaptor, Tube, A/C	2
▲	7	9000860	(000000-) Latch, Rbr, A/C Cover W/ Rivets	2
▲	8	9000903	(000000-) Cover, Fltr, A/C [6600]	1
▲	9	9000904	(000000-) Cover, Hsng, Blower [6600]	1
▲	377109	(000000-) Harness, Heater/Evaporator [6600/6650]	1	

Fig. 15 - LPG EFI Breakdown, 371916

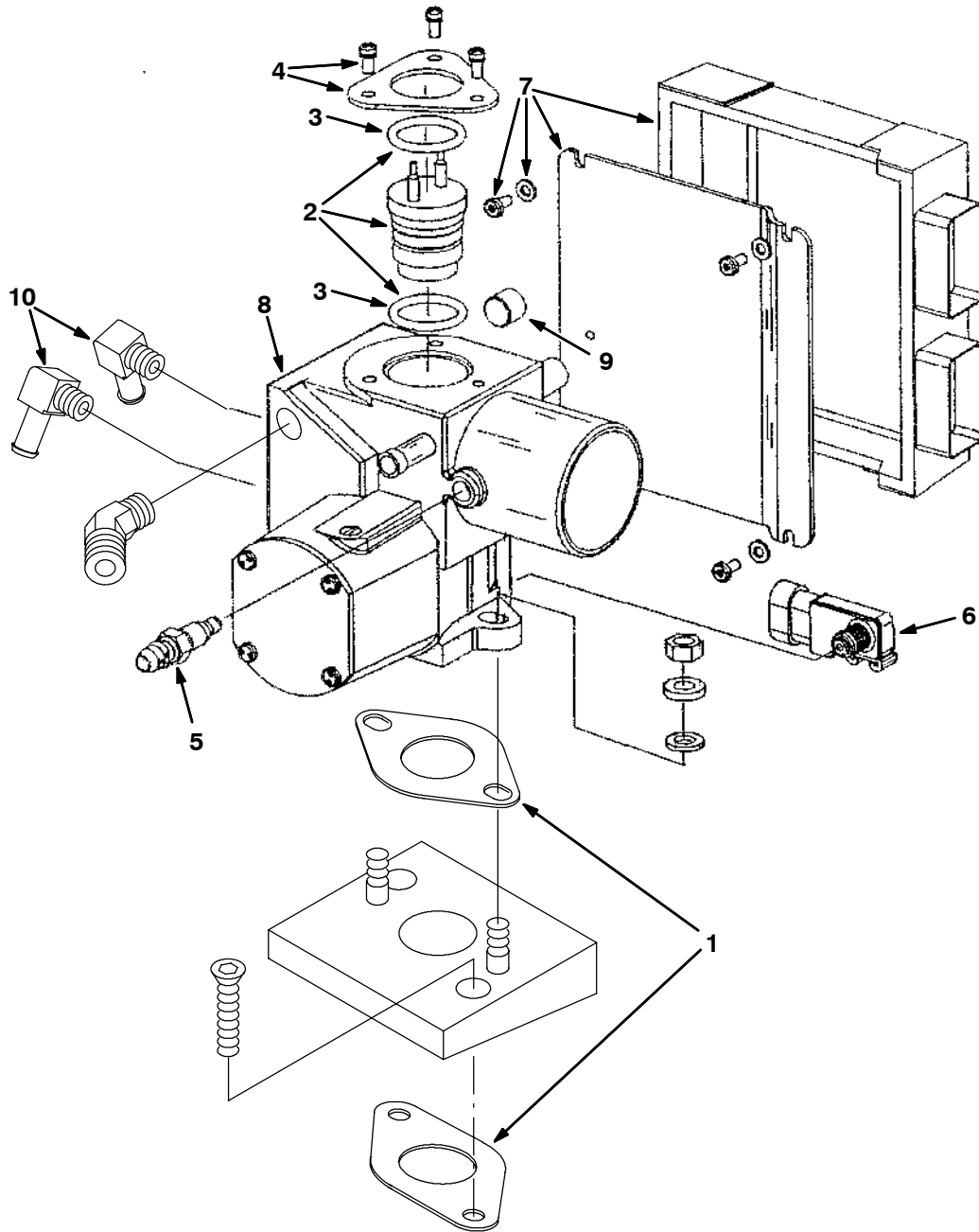


Fig. 15 - LPG EFI Breakdown, 371916

	Ref.	Part No.	Serial Number	Description	Qty.
▽		371916	(000000-) Housing Assy, Throttle, Lpg, [With Ecu]	1
▲	1	371912	(000000-) Kit, Gasket, Manifold	1
▲▽	2	371664	(000000-) Injector, Lpg, W/2 O-rings	1
▲▲	3	371665	(000000-) Kit, O-ring, Injector, Top And Bottom, Lpg	1
▲	4	371651	(000000-) Plate, Injector Mtg, W/ Screw	1
▲	5	371653	(000000-) Sensor, Temp	1
▲		371714	(000000-) Kit, Connector, Coolant Sensor	1
▲		371715	(000000-) Kit, Connector, Sensor, [Iat]	1
▲	6	371654	(000000-) Sensor, Manifold Press	1
▲		371713	(000000-) Kit, Connector, Sensor, [Map]	1
▲	7	371915	(000000-) Control, Electronic, Lpg	1
▲	8	371918	(000000-) Housing, Throttle, Lpg	1
▲		371718	(000000-) Kit, Connector, Govnr	1
▲	9	371660	(000000-) Fitting, Coolant Plug	1
▲	10	9000354	(000000-) Fitting, Brs, E90, Em06/Pm04	2

Fig. 16 - LPG EFI Breakdown, 371917

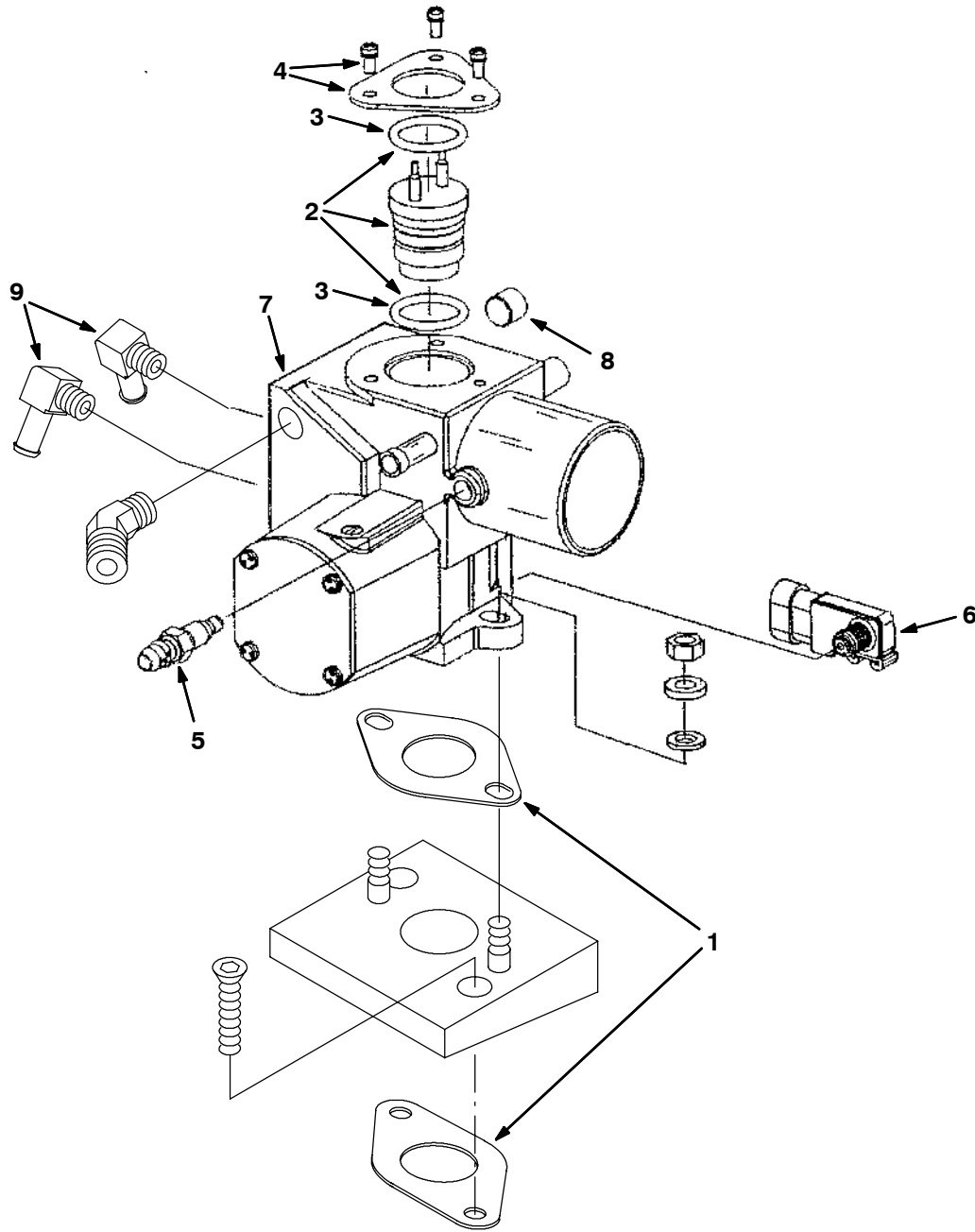


Fig. 16 - LPG EFI Breakdown, 371917

	Ref.	Part No.	Serial Number	Description	Qty.
▽		371917	(000000-) Housing Assy, Throttle, Lpg, [Without Ecu]	1
▲	1	371912	(000000-) Kit, Gasket, Manifold	1
▲▽	2	1017469	(000000-) Injector, Fuel, Lpg [1.6l Gm] 6600/6650	1
▲▲	3	371665	(000000-) Kit, O-ring, Injector, Top And Bottom, Lpg	1
▲	4	371651	(000000-) Plate, Injector Mtg, W/ Screw	1
▲	5	371653	(000000-) Sensor, Temp	1
▲		371714	(000000-) Kit, Connector, Coolant Sensor	1
▲		371715	(000000-) Kit, Connector, Sensor, [Iat]	1
▲	6	371654	(000000-) Sensor, Manifold Press	1
▲		371713	(000000-) Kit, Connector, Sensor, [Map]	1
▲	7	371918	(000000-) Housing, Throttle, Lpg	1
▲		371718	(000000-) Kit, Connector, Govnr	1
▲	8	371660	(000000-) Fitting, Coolant Plug	1
▲	9	9000354	(000000-) Fitting, Brs, E90, Em06/Pm04	2

Fig. 17 - Gasoline EFI Breakdown, 371909

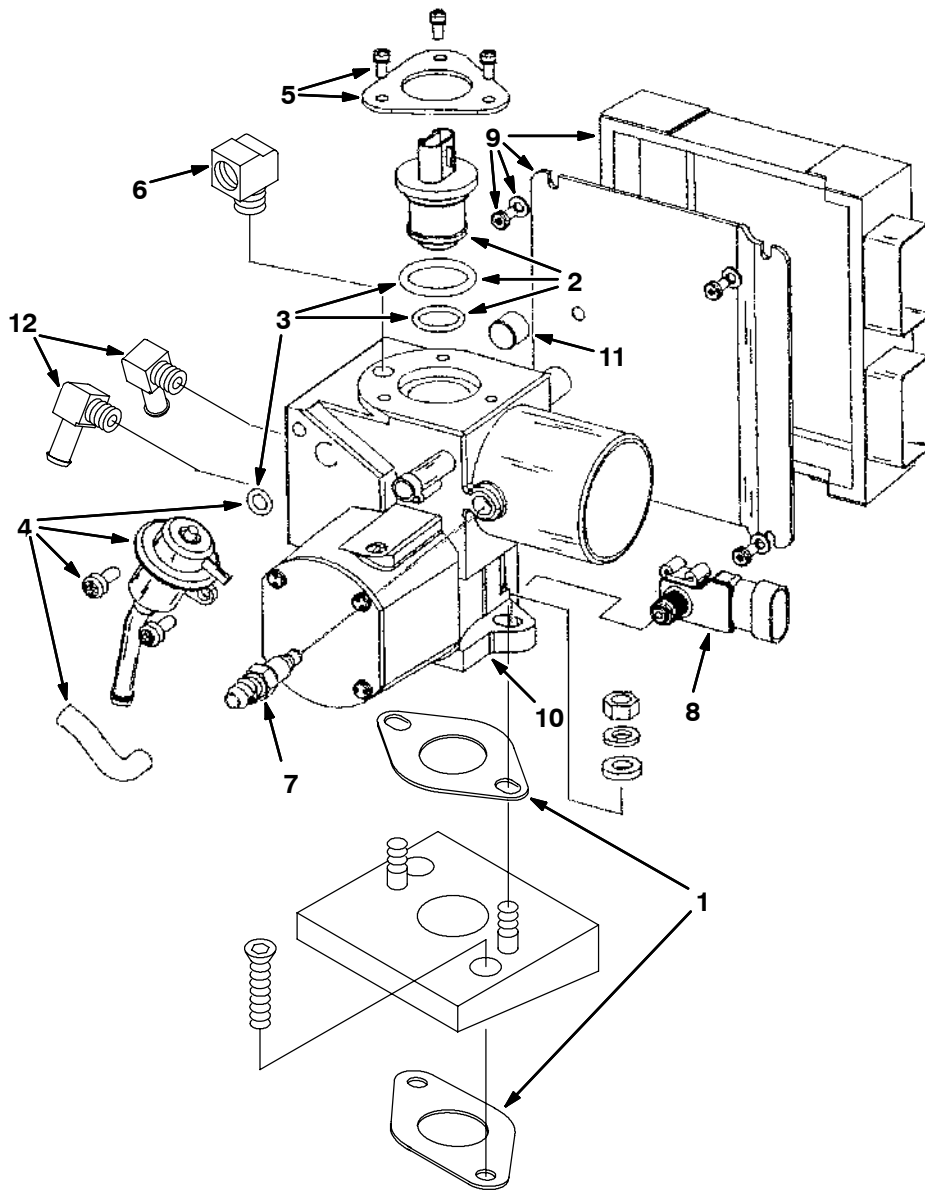


Fig. 17 - Gasoline EFI Breakdown, 371909

	Ref.	Part No.	Serial Number	Description	Qty.
▽		371909	(000000-) Housing Assy, Throttle, Gas, [With Ecu]	1
▲	1	371912	(000000-) Kit, Gasket, Manifold	1
▲▽	2	9000521	(000000-) Injector, Fuel, Gas, W/ Org, [Gm 1.6]	1
▲▲	3	371649	(000000-) Kit, Org, Injector And Reg, Gas	1
▲		371716	(000000-) Kit, Connector, Gas Injector	1
▲	4	371908	(000000-) Kit, Reg, Gas Press	1
▲	5	371651	(000000-) Plate, Injector Mtg, W/ Screw	1
▲	6	15555-2	(000000-) Fitting, Brs, E90, If05/Pm04	1
▲		371714	(000000-) Kit, Connector, Coolant Sensor	1
▲		371715	(000000-) Kit, Connector, Sensor, [lat]	1
▲	7	371653	(000000-) Sensor, Temp	1
▲	8	371654	(000000-) Sensor, Manifold Press	1
▲	9	371906	(000000-) Control, Electronic, Gas	1
▲	10	371911	(000000-) Housing, Throttle, Gas	1
▲		371718	(000000-) Kit, Connector, Govnr	1
▲	11	371660	(000000-) Fitting, Coolant Plug	1
▲	12	9000354	(000000-) Fitting, Brs, E90, Em06/Pm04	2

Fig. 18 - Gasoline EFI Breakdown, 371910

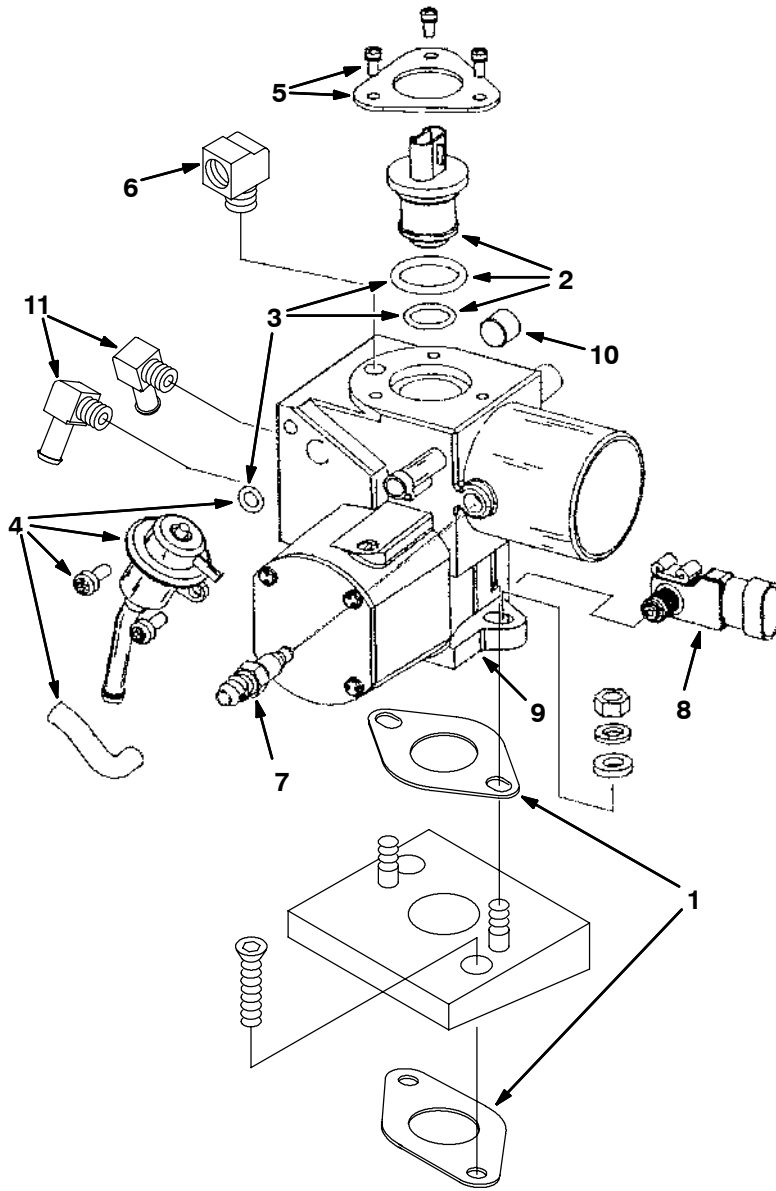


Fig. 18 - Gasoline EFI Breakdown, 371910

	Ref.	Part No.	Serial Number	Description	Qty.
▽		371910	(000000-) Housing Assy, Throttle, Gas, [Without Ecu]	1
▲	1	371912	(000000-) Kit, Gasket, Manifold	1
▲▽	2	9000521	(000000-) Injector, Fuel, Gas, W/ Org, [Gm 1.6]	1
▲▲	3	371649	(000000-) Kit, Org, Injector And Reg, Gas	1
▲		371716	(000000-) Kit, Connector, Gas Injector	1
▲	4	371908	(000000-) Kit, Reg, Gas Press	1
▲	5	371651	(000000-) Plate, Injector Mtg, W/ Screw	1
▲	6	15555-2	(000000-) Fitting, Brs, E90, If05/Pm04	1
▲		371714	(000000-) Kit, Connector, Coolant Sensor	1
▲		371715	(000000-) Kit, Connector, Sensor, [lat]	1
▲	7	371653	(000000-) Sensor, Temp	1
▲	8	371654	(000000-) Sensor, Manifold Press	1
▲	9	371911	(000000-) Housing, Throttle, Gas	1
▲		371718	(000000-) Kit, Connector, Govnr	1
▲	10	371660	(000000-) Fitting, Coolant Plug	1
▲	11	9000354	(000000-) Fitting, Brs, E90, Em06/Pm04	2

SECTION 5

Contents	Page
Fig. 1 - Cylinder Head and Valves Group	5-2
Fig. 2 - Crankshaft and Piston Group	5-4
Fig. 3 - Oil and Water Pump Group	5-6
Fig. 4 - Oil Pan and Filter Group	5-8
Fig. 5 - Manifold Group	5-9
Fig. 6 - Camshaft Group	5-10
Fig. 7 - Ignition Group	5-12

Fig. 1 - Cylinder Head and Valves Group

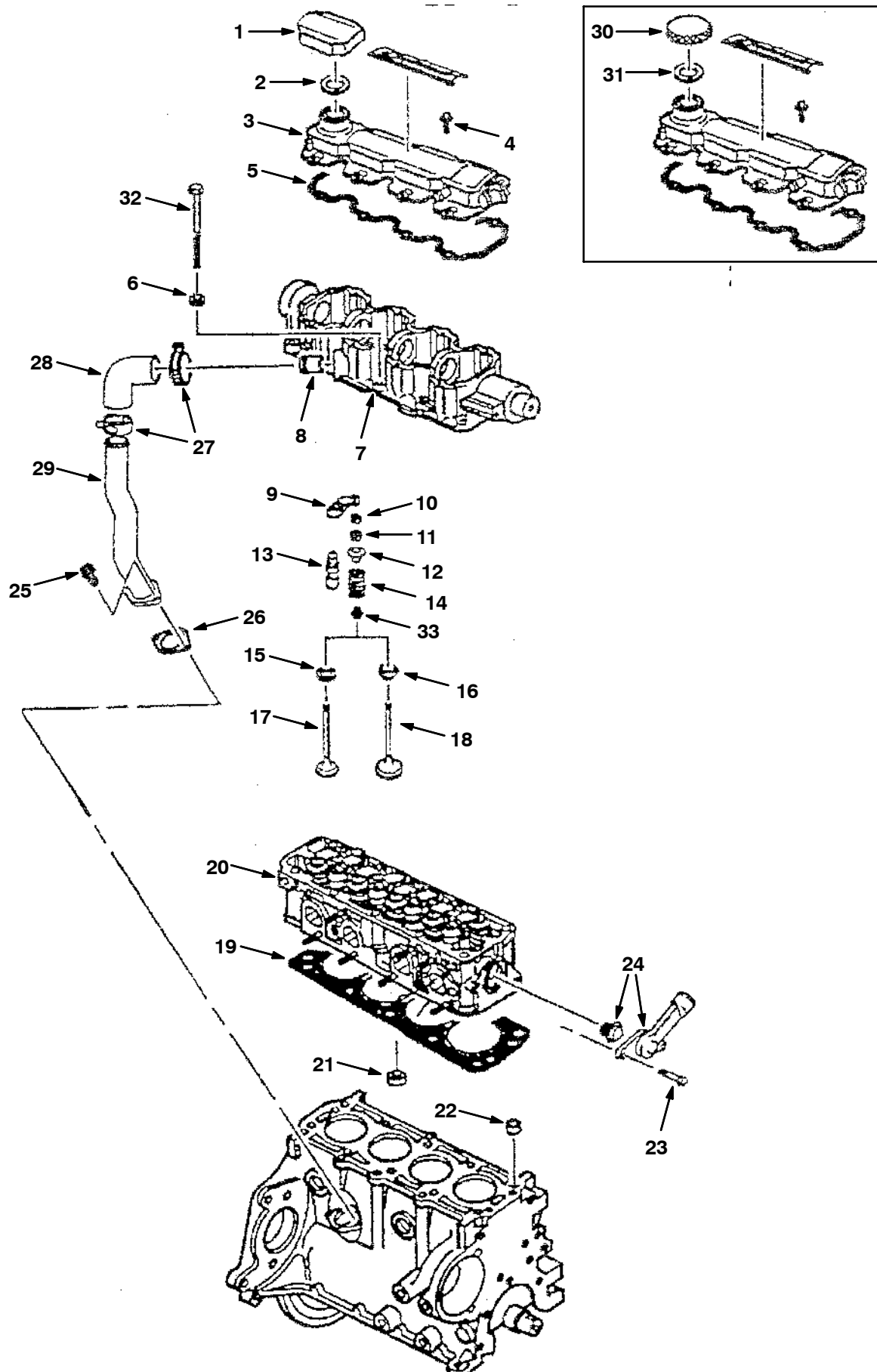


Fig. 1 - Cylinder Head and Valves Group

Ref.	Part No.		Description	Qty.
1	372574	②	Cap, Filler, Oil, W/ Org	1
2	372573	②	Seal, Org, Cap	1
3	372007		Cover, Hsng, Camshaft	1
4	371990		Bolt, Camshaft Cover	8
5	372008		Gasket, Cover, Hsng, Camshaft	1
6	372017		Washer	10
7	372018		Housing, Camshaft	1
8	372019		Tube [Pcv]	1
9	372030		Arm, Rocker, Valve	8
10	372031		Seat, Spring, Valve, 0.333	8
10	372032		Seat, Spring, Valve	8
11	372033		Key, Valve Stem	16
12	372034		Cap, Spring, Valve	4
13	372035		Screw, Adj, Valve, Hyd	8
14	372036		Spring, Valve	8
15	372037		Seat, Rotator, Valve	4
16	372031		Seat, Spring, Valve, 0.333	8
16	372032		Seat, Spring, Valve	8
17	372038		Valve, Exhaust	4
18	372039		Valve, Intake	1
19	372022		Gasket, Head, Cyl	1
20	372023		Head, Cyl	1
21	372024		Seat, Valve, Exhaust, [+0.2mm]	4
21	372025		Seat, Valve, Exhaust, Std	4
21	372026		Seat, Valve, Exhaust, [+0.4mm]	4
21	372027		Seat, Valve, Intake, Std	4
21	372028		Seat, Valve, Intake, [+0.2mm]	4
21	372029		Seat, Valve, Intake, [+0.4mm]	4
22	371999		Pin, Lock, Cyl Head, 14mm X 17mm	2
23	372048		Bolt, Hsng, Thermostat	2
24	372047		Thermostat, W/ Hsng And Seal	1
25	371957		Bolt, Tube [Pvc], M6 X 1 X 15	2
26	371958		Gasket, Tube [Pcv]	1
27	371954		Clamp, Hose, 1.75 [Pcv]	2
28	371955		Hose [Pcv]	1
29	371956		Tube [Pcv]	1
30	372006	①	Cap, Filler, Oil, W/ Org	1
31	371995	①	Seal, Org, Cap	1
32	372882		Bolt, Head, Cyl	10
33	9003345		Seal, Seat, Valve	8

① Machine Serial number (000000-009999)

② Machine Serial number (010000-)

Fig. 2 - Crankshaft and Piston Group

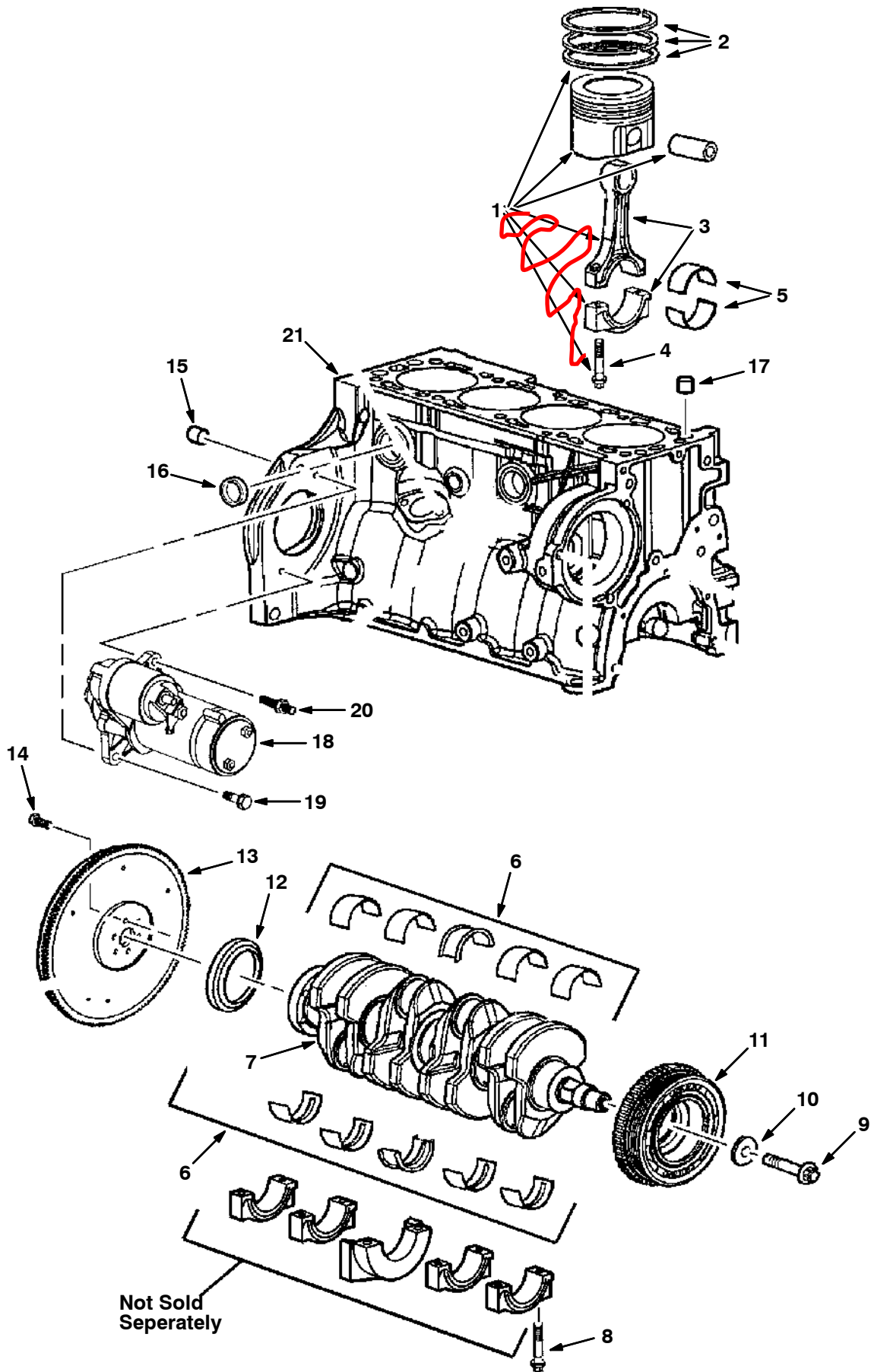


Fig. 2 - Crankshaft and Piston Group

	Ref.	Part No.	Description	Qty.
▽	1	371932	Piston, W/ Pin, Std	1
▲	2	371931	Ring Kit, Piston, Std 78.95-79.02mm	4
▽ X	3	371934	Rod, Connecting, M08 X 45	4
▲	4	371935	Bolt, Connecting Rod	8
	5	371933	Bearing Kit, Rod, Connecting, Std	1
	6	371966	Bearing Kit, Cshft, 1.995-2.001mm (Brown Blue)	4
	6	371967	Bearing Kit, Cshft, 2.120-2.126mm	4
	6	371968	Bearing Kit, Cshft, 2.114-2.120mm	4
	6	371969	Bearing Kit, Cshft, 1.989-1.995mm (Brown)	4
	6	371970	Bearing Kit, Cshft, 1.989-1.995mm (Green Blue)	4
	6	371971	Bearing Kit, Cshft, 1.995-2.001mm (Green)	4
	7	371965	Crankshaft	1
	8	371946	Bolt, M10 X 1.50 X 75mm	10
	9	371938	① Bolt, M12 X 1.75 X 62mm	1
	9	384961	② Bolt, Pulley, Cshft	1
	10	371937	Washer, Sheave, Cshft	1
	11	371936	Sheave, Cshft	1
	12	371945	Seal, Oil, Cshft	1
	13	371979	Flywheel	1
	14	371976	Bolt, Flywheel	6
	15	371978	Pin, Lock, Transmission	2
	16	371942	Plug, Hole, Coolant, Eng Block	6
	17	371999	Pin, Lock, Cyl Head, 14mm X 17mm	2
	18	371962	③ Starter, 12vdc [Gm] (Before Mar. 2006)	1
	18	384963	④ Starter, 12vdc [Delco] (Mar. 2006 and Newer)	1
	19	371963	① Bolt, M08 X 1.25 X 25mm	1
	19	384964	② Bolt, M08 X 1.25 X 25mm	1
	20	371964	Stud, Starter, M08 X 1.25	1
	21	371944	Block, Short, Eng, W/ Piston & Ring	1

- ① Serial Number (000000-xxxxxx)
- ② Serial Number (xxxxxx-)
- ③ Engine Serial Number (000000000-1P6L13150)
- ④ Engine Serial Number (1P6L13151-)

Fig. 3 - Oil and Water Pump Group

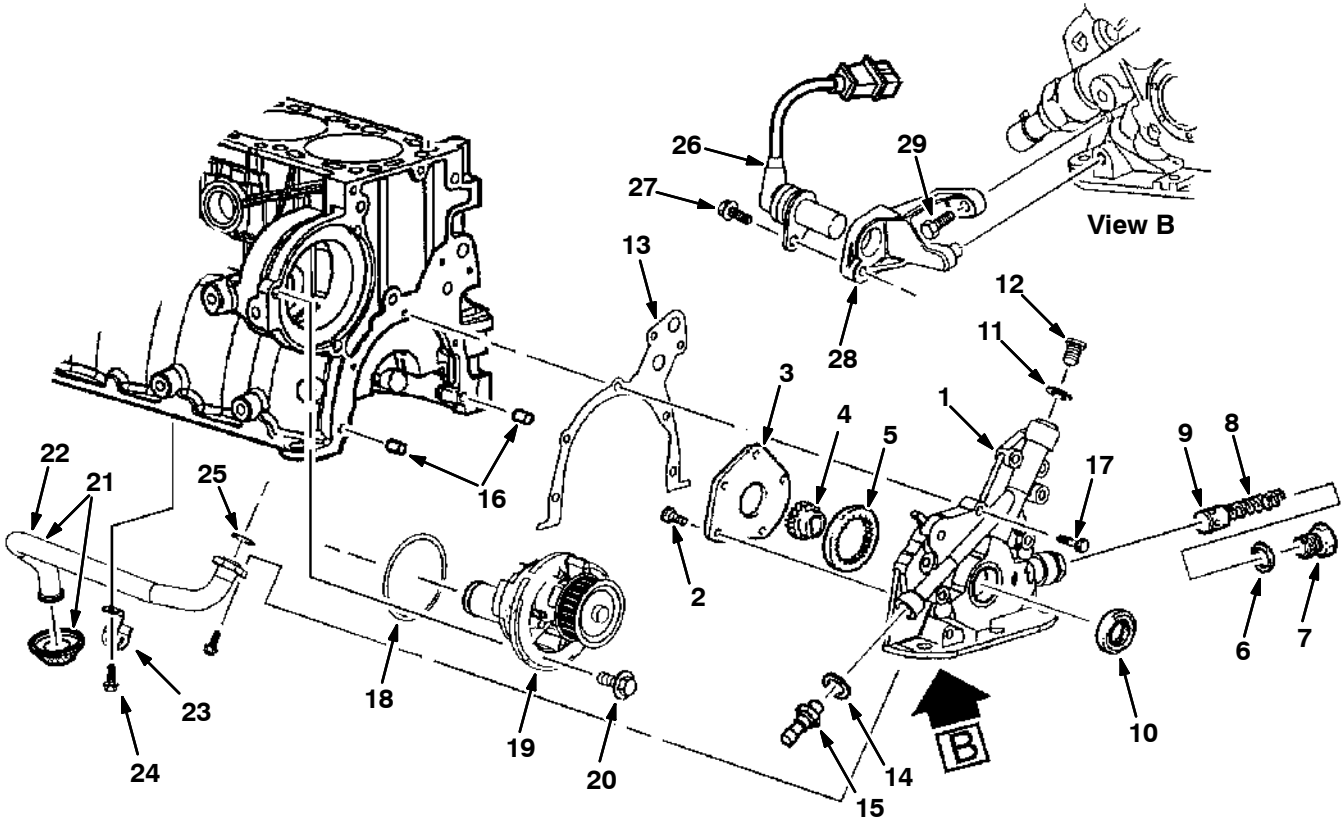


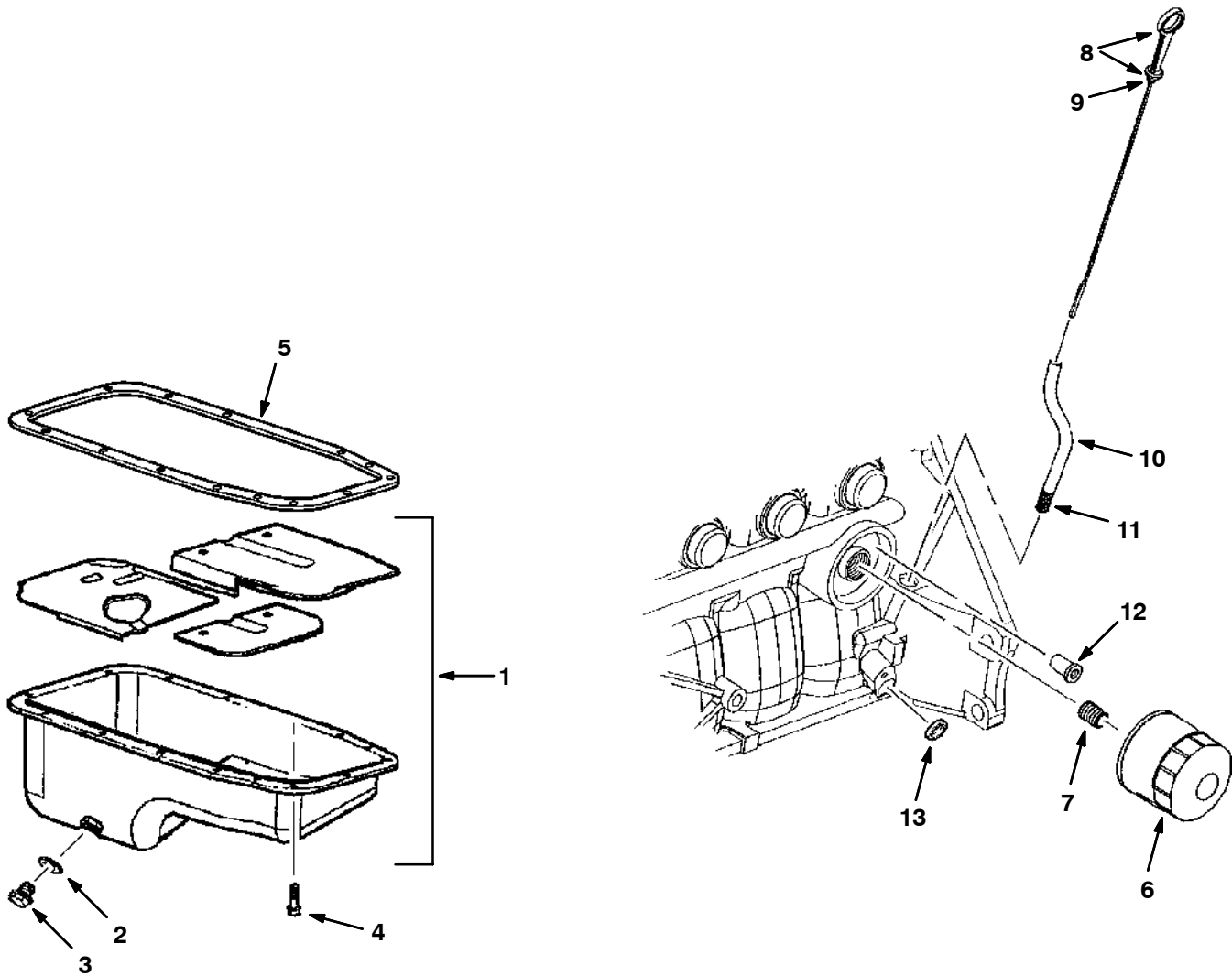
Fig. 3 - Oil and Water Pump Group

Ref.	Part No.	Description	Qty.	
▽	1	372572	Pump, Oil	1
▲	2	371947	Bolt, Cover, Oil Pump, M6 X 14	5
▲	3	371948	Cover, Pump, Oil	1
▲	4	371949	Gear, Ring, Drive, Oil Pump	1
▲	5	371950	Gear, Drive, Oil Pump	1
▲	6	371998	Gasket, Plug, Relief Valve, Oil Press	1
▲	7	371994	Plug, Bore, Valve, Relief, Oil Press	1
▲	8	371993	Spring, Valve, Relief, Oil Press	1
	9	371997	Valve, Relief, Oil Press	1
	10	372005	Seal, Org, Oil Pump	1
	11	371951	Seal, Org, Hsng, Oil Pump	1
	12	371952	Plug, Hsng, Oil Pump	1
	13	371984	Gasket, Pump, Oil	1
	14	371987	Seal, Org, Press Switch / Drain Plug	1
	15	371996	Switch, Indicator, Oil Press	1
	16	371983	Pin, Ring, Lock, Hsng, Water Pump	2
	17	371986	Bolt, Pump, Oil	6
	18	372567	Seal, Org, Water Pump	1
	19	9004673 371981	Pump, Water [Gm]	1
		371974	Sprocket, Pump, Water	1
	20	371980	Bolt, Cover, Water Pump	3
▽	21	372001	Screen, Oil Pump, W/ Suc Pipe	1
▲	22	371989	Pipe, Suc, Oil Pump	1
	23	372000	^① Bracket, Screen, Oil Pump	1
	23	384966	^② Bracket, Screen, Oil Pump	1
	24	371991	Bolt, Bracket, Screen, Oil Pump, M6x1x1	1
	25	371988	Seal, Ring, Pipe, Suc, Oil Pump	1
	26	372002	Sensor, Position, Cshft	1
	27	384968	Bolt, Bracket, Sensor, Cshft Position	1
	28	372003	Bracket, Sensor, Position, Cshft	1
	29	372004	Bolt, Sensor, Position, Cshft	3

① Serial Number (000000-xxxxxx)

② Serial Number (xxxxxx-)

Fig. 4 - Oil Pan and Filter Group



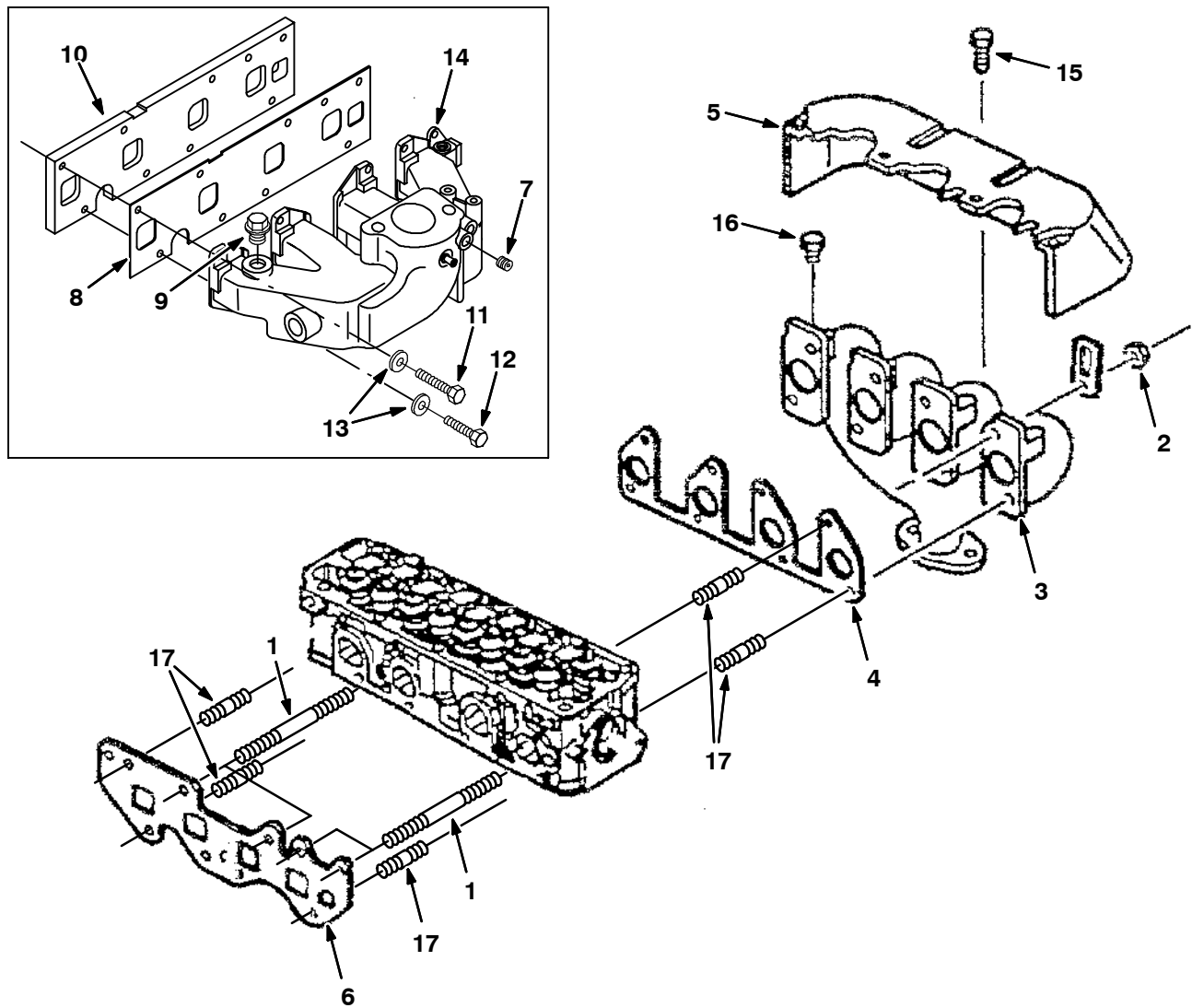
G, LP

Ref.	Part No.	Description	Qty.
▽	1 371960	Pan, Oil, W/ Baffle / Plug / Seal	1
▲	2 371987	Seal, Org, Press Switch / Drain Plug	1
▲	3 371992	Plug, Drain, Oil Pan, M14 X 1.5 X 12	1
	4 371961	① Bolt, M06 X 1.00 X 13mm	15
	4 384962	② Bolt, Pan, Oil	15
	5 371959	Gasket, Pan, Oil	1
	6 371972	Element, Fltr, Oil, Eng, Spin-On	4
	7 371973	Fitting, Fltr, Oil	1
▽	8 372560	Dipstick, Oil	1
▲	9 371995	Seal, Org, Cap, Fltr, Oil	1
	10 371940	Tube, Ds	1
	11 371941	Sealant, Tube, Ds	1
	12 371975	Valve, By-Pass, Oil Fltr	1
	13 371943	Plug, Hole, Core, Eng Block	1

① Serial Number (000000-xxxxxx)

② Serial Number (xxxxxx-)

Fig. 5 - Manifold Group



Ref.	Part No.	Description	Qty.
1	372021	Stud, Manifold, M8 X 96	4
2	372049	Nut, Manifold, Exhaust, M8 X 1.25	8
3	372050	Manifold, Exhaust	1
4	372051	Gasket, Manifold, Exhaust	1
5	372052	Shield, Manifold, Exhaust	1
6	372053	Gasket, Manifold, Intake	1
7	371881	Ⓛ Fitting, Brs, Plug, 02pm	1
8	371882	Ⓛ Gasket, Adaptor, Manifold	1
9	371883	Ⓛ Fitting, Pipe, Plug, Pm16 Hex Soc	1
10	371884	Ⓛ Adaptor, Manifold, Intake	1
11	371885	Ⓛ Bolt, Hex, M08 X 50mm, G5	3
12	371886	Ⓛ Bolt, Hex, M08 X 40mm, G8.8	6
13	371865	Ⓛ Washer, Flat, 0.31, Hardened	9
14	371888	Ⓛ Manifold, Intake	1
15	372066	Bolt, Shield, Manifold, Exhaust	5
16	371860	Plug	1
17	372020	Stud, Manifold, M8 X 28	13

Ⓛ Machine Serial number (000000-009999)

Fig. 6 - Camshaft Group

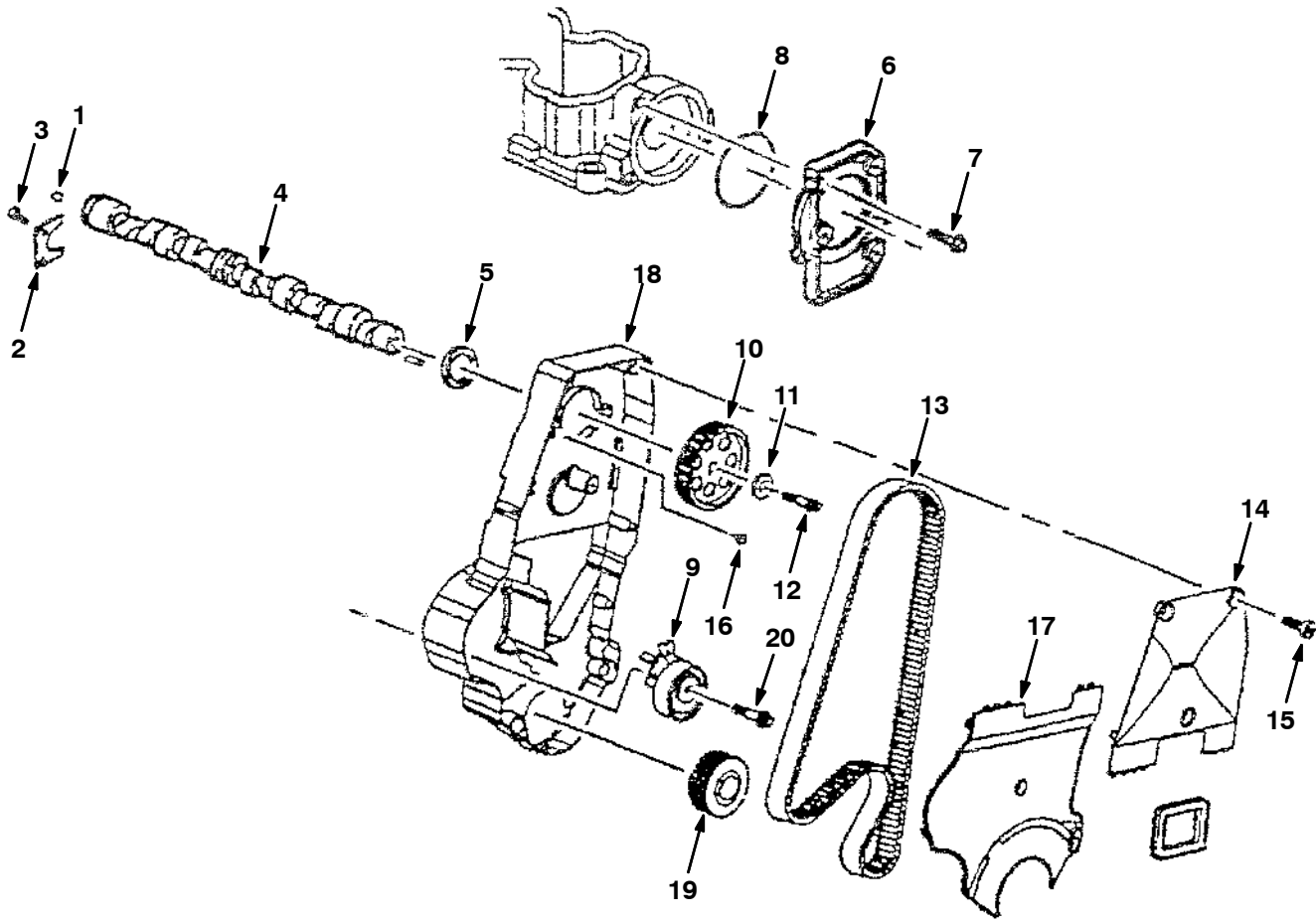
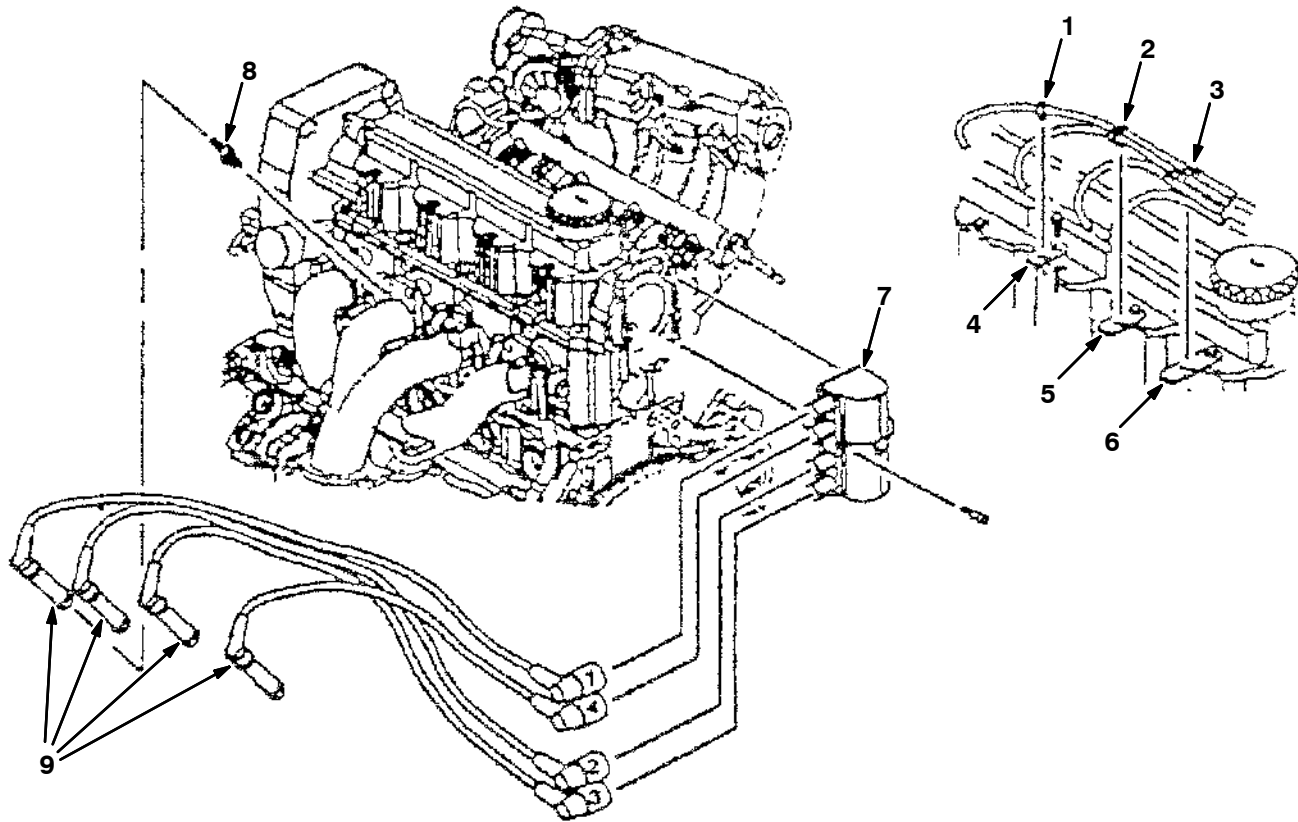


Fig. 6 - Camshaft Group

Ref.	Part No.	Description	Qty.
1	372009	Ball, Camshaft	1
2	372010	Retainer, Camshaft	1
3	372011	Bolt, Retainer, Camshaft, M6 X 1 X 16	2
4	372012	Camshaft	1
5	372013	Seal, Org, Bolt, Cover, Camshaft Hsng	1
6	372014	Cover, Hsng, Camshaft	1
7	372015	Bolt, Cover, Camshaft, M6 X 1 X 22	3
8	372016	Seal, Org, Bolt, Cover, Camshaft Hsng	1
9	9004674	Pulley, Tensioner [Gm]	1
10	372040	Sprocket, Camshaft [Fd]	1
11	372017	Washer, Sprkt, Camshaft	1
12	372041	Bolt, Sprocket, Camshaft, M10x1.25x60	1
13	372042	Belt, Timing	1
14	372043	Cover, Belt, Timing, Front	1
15	371961	Bolt, Eng Cover, M6 X 1 X 13	6
16	372046	Bolt, Tensioner, Timing Belt, M8x1.25x48	1
17	372044	Cover, Belt, Timing, Upper Front	1
18	372616	Housing, Camshaft	1
19	388552	Outside Sprocket, Gm	1
20	9004675	Bolt, Tensioner [Gm]	1

Fig. 7 - Ignition Group



G, LP

Ref.	Part No.	Description	Qty.
1	372054	Retainer, Sparkplug, 1 Way	1
2	372055	Retainer, Sparkplug, 2 Way	1
3	372056	Retainer, Sparkplug, 3 Way	1
4	372057	Bracket, Retaining, Wire, Sparkplug	1
5	372058	Bracket, Retaining, Wire, Sparkplug	1
6	372059	Bracket, Retaining, Wire, Sparkplug	1
7	372060	Coil, Ignition	1
8	372575	Sparkplug	4
9	372603	Wire Set, Sparkplug [1.6]	1

SECTION 6

CONTENTS	PAGE
PART NUMBER TO PAGE NUMBER CROSS REFERENCE LIST	6-2
PART DESCRIPTION TO PAGE NUMBER CROSS REFERENCE LIST	6-15

CROSS REFERENCE

PART NUMBER TO PAGE NUMBER CROSS REFERENCE LIST

Part Number	Page Number	Part Number	Page Number	Part Number	Page Number
IB3614	4-11	06933	2-25	07791	2-7, 2-13, 2-21,
00500-15	4-8	06934	3-5, 3-7, 3-9, 3-11,		2-27, 2-31, 2-33,
00960	2-65		3-13, 3-15, 3-17,		2-35, 2-37, 2-53,
00966	4-11		3-19, 3-61		2-73, 2-75, 2-77,
01047	3-33	06938	2-41, 2-49		2-79, 2-81, 2-85,
01314	2-7, 2-27	06939	3-3		2-89, 2-91, 2-93,
01318	2-17	06941	2-83		2-113, 2-141, 2-143,
01335	2-115	06942	2-7, 2-13, 2-15,		2-147, 3-23, 3-31,
01574	2-41, 2-49		2-23, 2-41, 2-43,		3-39, 3-41, 3-43,
01683	2-123, 3-37, 3-55,		2-49, 2-54, 2-73,		3-45, 3-61, 3-72,
	3-57		2-75, 2-77, 2-79,		3-77
01684	2-2, 2-7, 2-9, 2-11,		2-85, 2-143, 3-5,	07792	2-125, 3-77, 3-88
	2-105, 2-107, 2-109,		3-7, 3-45	07797	2-47
	2-111, 2-115, 2-117,	06943	2-13, 2-19, 2-31,	07805	2-29, 2-131
	2-131, 3-35, 3-65,		2-33, 2-35, 2-37,	07810	2-67, 2-69, 2-129,
	3-77		2-41, 2-50, 2-73,		2-133, 2-143, 3-31
01685	2-2, 2-7, 2-9, 2-11,		2-75, 2-77, 2-85,	07819	3-57
	2-19, 2-105, 2-107,		2-101, 3-31, 3-71	08013N	2-5
	2-109, 2-111, 2-113,	06944	2-17, 2-25, 2-83,	08166	2-69, 2-71, 3-87
	2-121, 2-125, 3-23,		3-65, 3-71	08175	2-109, 2-111, 2-131,
	3-65	06945	2-15, 2-17		3-69
01760	2-19, 2-113, 3-31,	06946	2-13, 2-43, 2-54,	08178	2-23
	3-51, 3-59, 3-69		3-65	08179	2-127, 2-129, 3-67
01762	2-131	06947	3-61, 3-63, 3-69,	08182	2-23, 2-97, 2-101,
01998	2-137		3-71		2-125, 2-129, 3-65
01999	2-137	06949	2-77, 3-55, 3-57	08202	2-97, 3-71
02076	2-63	06955	2-99, 2-129	08329	2-93
02126	3-31	06956	2-99, 2-141, 2-143,	08708	2-13, 2-15, 2-17,
02129	3-31		3-47		2-21, 2-27, 2-29,
02706	4-3	06960	2-63, 2-65, 2-125		2-41, 2-43, 2-49,
02712	2-121	06961	2-65, 2-147		2-53, 2-77, 2-79,
02850	2-119, 2-121, 2-143,	06969	2-17, 2-97, 3-31,		2-107, 2-113, 2-129,
	3-33, 3-61, 3-63		3-71		2-143, 3-9, 3-31,
02942	2-125, 3-65	06971	2-115		3-51, 3-52, 3-59,
02994	2-23	06972	2-31, 2-33, 2-35,		3-61, 3-63, 3-65
03192	2-127, 3-67, 3-75		2-37	08709	2-13, 2-17, 2-57,
04375	3-71	06973	2-125, 3-65		2-59, 2-61, 2-65,
04414	2-31, 2-33, 2-35,	06975	2-131		2-67, 2-69, 2-71,
	2-37	06976	3-71		2-99, 2-101, 2-113,
04483	4-15	06977	2-131		2-127, 2-129, 2-131,
04706	2-127, 3-67	06988	2-19		2-133, 2-139, 3-3,
04733-10	2-23	07255	2-41, 2-43		3-11, 3-21, 3-23,
04843	2-101	07787	2-125		3-29, 3-51, 3-59,
04921	2-103	07788	2-9, 2-11, 2-125,		3-67, 3-69, 3-71,
05685	2-103		3-65		3-75
05686	2-101, 2-103	07789	3-3, 3-21, 3-23	08711	2-15, 2-17, 2-31,
06279	3-71	07790	2-13, 2-31, 2-33,		2-33, 2-35, 2-37,
06474A	2-109, 2-111		2-35, 2-37, 2-41,		2-97, 2-115, 2-117,
06532	2-41, 2-43, 2-53		2-49, 2-73, 2-75,		2-131, 3-25, 3-31,
06549	2-7, 2-25, 2-29,		2-77, 2-85, 2-87,		3-55, 3-71
	2-41, 2-49, 3-3, 3-5,		2-88, 2-101, 3-5,	08712	2-2, 2-29, 2-99,
	3-7, 3-9, 3-11, 3-13,		3-7, 3-55, 3-57		2-105, 2-107, 2-109,
	3-15, 3-17, 3-19,				2-111, 2-115, 2-117,
	3-37, 3-51, 3-55,				3-77
	3-57, 3-59, 3-61			08713	2-2, 2-7, 2-63,
069069	2-15				2-105, 2-107, 2-109,
06927	3-61, 3-63				2-111, 2-139, 3-47
06932	3-3				

CROSS REFERENCE

Part Number	Page Number	Part Number	Page Number	Part Number	Page Number
08716	2-2, 2-105, 2-107, 2-109, 2-111, 2-115, 2-117, 3-9	1007050	2-7	1009180	2-127
09007	2-9, 2-11, 3-77	1007121	2-23	1009217	2-19
09010	2-2, 2-9, 2-11, 2-107, 2-109, 2-111, 2-121, 2-131, 2-139, 3-75	1007168	2-57	1009218	2-27
09011	2-7, 2-15, 2-93, 2-97	1007209	2-83, 2-85	1009221	2-27
09028	2-9, 2-11	1007220	2-125, 2-129	1009292	2-19
09029	2-115	1007226	2-83	1009315	2-19
09037	2-53	1007280	2-121	1009318	2-119, 3-67
09062	3-31, 3-51, 3-59, 3-61, 3-63	1007310	2-7	1009366	3-61
09081	2-127, 3-67	1007450	2-57	1009429	3-61, 3-63
09088	2-97	1007455	2-57, 2-59, 2-61	1009540	3-61, 3-63
09120	2-131, 3-51, 3-59	1007482	2-83, 2-85	1009544	3-47
09145	2-17, 2-19, 3-51, 3-59, 3-61	1007625	2-7	1009590	2-13
09164	2-27, 3-31	1007794	2-101	1009681	2-67, 2-69, 3-87
09206	2-119, 2-121, 3-33	1007807	2-131	1009732	3-47
09244	2-29	1007811	2-7	1009795	3-61
09291	2-9, 2-11	1007853	2-107	1009811	3-61, 3-63
09342	2-7	1007965	3-61, 3-63	1009836	3-47
09570	3-65, 3-67	1007966	2-141	1009847	3-61, 3-63
09738	3-3, 3-21, 3-23	1007993	3-61, 3-63	1009892	3-31
09740	2-93, 3-11	1008062	2-127	1010049	2-143
09775	2-103	1008120	2-15, 2-17	1010155	3-27
09900-1	3-69	1008132	2-113	1010165	2-2, 2-105, 3-65, 3-77
1002842	2-107	1008164	3-47	1010166	2-2, 2-105, 3-65, 3-77
1005089	2-23, 4-13	1008256	2-13	1010167	2-2, 2-105
1005148	2-147, 4-17	1008262	2-27	1010170	3-31
1005193	3-67	1008271	2-119	1010227	2-91
1005292	2-31, 2-35	1008304	3-61, 3-63	1010267	3-51
1005339	3-31	1008457	2-143	1010269	3-77
1005489	2-129	1008462	2-127	1010301	3-77
1005498	2-129	1008463	3-67	1010302	3-77
1005563	2-31, 2-35	1008579	3-71	1010316	3-59
1005740	2-129	1008611	3-61, 3-63	1010379	2-67
1005762	2-129	1008629	3-61, 3-63	1010380	2-67
1005949	2-103	1008636	2-113	1010432	3-65
1006038	2-115, 2-117	1008640	2-63	1010448	2-67
1006162	2-19	1008654	2-7	1010537	3-61, 3-63
1006309	2-147	1008660	3-72	1010600	3-61, 3-63
1006321	3-47, 3-49	1008693	2-85	1010653	3-39, 3-43
1006329	2-141, 2-143	1008713	3-61	1010657	3-39, 3-43
1006422	2-129	1008724	3-61	1010688	3-39, 3-43
1006424	2-19	1008734	3-61, 3-63	1010755	3-43, 3-45, 4-20
1006557	2-63, 2-65	1008738	2-13	1010757	3-39, 3-41, 4-21
1006558	2-15	1008782	2-63	1010823	3-61, 3-63
1006604	2-63, 2-65	1008808	2-107	1011018	2-179
1006647	2-141	1008857	2-83, 2-85	1011019	2-179
1006657	2-39, 2-45, 2-47	1008913	2-19	1011020	2-179
1006726	2-13	1008916	2-19	1011052	3-77
1006730	2-107	1008934	2-31	1011057	3-77
1006737	2-107	1008958	2-15	1011107	2-75, 2-77
1006738	2-107	1008968	2-2, 2-3, 2-141, 2-143	1011176	3-63
1006751	2-13	1008988	2-73	1011216	2-69, 2-71, 3-87
1006898	2-67, 2-69, 2-71	1009066	2-13	1011259	2-69
1007048	2-141	1009116	3-61	1011299	3-69
		1009122	3-61	1011306	2-33, 2-37
		1009130	2-13	1011314	2-59
		1009152	3-31	1011353	2-33, 2-37
		1009163	3-61, 3-63	1011427	2-125
		1009167	3-61	1011492	3-37
		1009177	3-67		

CROSS REFERENCE

Part Number	Page Number	Part Number	Page Number	Part Number	Page Number
1011511	3-63	1015897	2-41	1031242	2-19
1011582	2-137	1015930	2-41, 2-43, 2-50,	1031312	2-43, 2-53
1011583	2-73		2-53	1031439	2-33, 2-37
1011700	2-69	1016621	2-83, 2-85	1031553	2-61
1011743	2-61	1017080	2-47	1031566	2-65
1011779	2-23	1017141	2-180	1031609	2-59
1011780	2-59, 2-61	1017197	2-47	1031688	2-71
1011895	2-75, 2-77	1017239	2-47	1031689	2-71
1011902	3-37	1017248	3-5, 3-9, 3-13, 3-17	1032024	2-77
1012185	2-25	1017250	3-7, 3-11, 3-15, 3-19	1032087	2-43, 2-54
1012248	2-75, 2-77	1017272	2-47	1032143	2-77
1012250	2-75, 2-77	1017432	2-47	1032145	2-77
1012357	3-33	1017469	4-25	1032215	2-179
1012361	3-33	1017476	2-47	1032323	2-59, 2-61
1012369	3-21	1017477	2-47	1032812	2-77
1012397	3-33	1017500	2-47	1033100	3-51
1012615	2-25	1017575	3-65	1033644	2-65
1012634	3-87	1017598	2-47	1033746	2-77
1012655	2-179	1017662	2-47	1033897	2-77
1012871	2-25	1018368	3-77	1033900	2-77
1012906	2-25	1018765	3-75	1035056	2-65
1012982	2-91	1018778	3-59	1035090	3-51, 3-59
1013031	2-69, 2-71	1018786	3-75	1035093	3-59
1013086	2-75	1019939	2-77	1035125	2-19
1013117	2-71	1020434	2-180	1035134	2-19
1013168	2-59	1020990	2-25	1035530	2-65
1013230	2-69	1020992	2-25	1036480	2-71
1013509	2-77	1021363	3-9	1038137	3-67
1013624	2-69	1021364	3-17, 3-19	1038176	2-109, 2-111, 2-127
1013681	2-143	1022364	2-43	1040200	3-63
10137	2-89, 2-91	1023853	2-87, 2-88	1041151	2-54
1013913	2-7	1024270	2-113	1041152	2-54
1013930	2-85	1024441	2-13	1041617	2-119
1013932	2-75	1025228	2-123	1042028	2-33, 2-37
1014004	2-69	1027395	3-17, 3-19	1042840	2-45
1014005	2-143	1027798	3-5, 3-7, 3-9, 3-11,	1042969	2-125
1014034	2-59, 2-61		3-13, 3-15, 3-17,	1044866	2-67
1014071	2-19		3-19	1045316	2-83, 2-85
1014084	3-51	1027800	3-5, 3-7, 3-9, 3-11,	1045426	2-119, 2-121
1014251	2-41, 2-50		3-13, 3-15, 3-17,	1045764	2-83, 2-85
1014363	2-27		3-19	10552	2-39, 2-45, 2-47
1014369	2-41, 2-49	1028136	2-71	10632-1	3-71
1014520	2-87, 2-88	1028343	2-53	10632-12	3-23, 3-29, 3-33
1014551	3-49	1028492	2-93	10632-18	3-5, 3-7, 3-9, 3-11,
1014747	2-85	1028558	2-71		3-13, 3-15, 3-21,
1014752	2-17	1028559	2-33, 2-37		3-23, 3-52
1014797	2-17	1028711	2-43	10632-4	2-119, 2-121
1014799	2-75, 2-77	1028722	2-54	10632-9	3-5, 3-7, 3-9, 3-11,
1014800	2-75	1028924	2-77		3-13, 3-15, 3-17,
1014801	2-75	1028961	2-71		3-19, 3-21
1014802	2-75	1028973	2-71	10652	2-79, 2-81
1014803	2-75	1029163	2-143	10832	2-31, 2-33, 2-35,
1014826	2-61	1029293	2-77		2-37
1015054	2-87, 2-88	1029295	2-77	11329	2-2, 2-17, 2-105,
1015355	3-49	1029988	2-115		2-113, 2-141, 3-65
1015432	2-131	1030271	2-77	11399	2-47
1015547	2-41, 2-43	1030518	2-59, 2-61	11442-1	2-53
1015552	2-85	1030551	2-77	11442-23	2-79, 2-81
1015584	3-45	1030570	2-77	11531	2-83, 2-85
1015585	3-45	1031240	2-19	11636	2-115, 2-117

CROSS REFERENCE

Part Number	Page Number	Part Number	Page Number	Part Number	Page Number
11842	2-103	17414	2-31, 2-35, 2-79, 2-81	23999-6	3-55, 3-57
12267	2-127, 2-129, 3-67	18390	3-51, 3-59	24012	2-67, 2-69
12271	2-19, 2-25, 3-33, 3-51, 3-59	19064	2-117	24047	2-79, 2-81
12277	2-131	19065	2-119, 2-121, 3-33, 3-61, 3-63	24198	3-55, 3-57
12459	2-2, 2-107, 3-31, 3-35, 3-55, 3-57, 3-77	19066	2-25, 2-29, 2-39, 2-45, 2-47, 2-63, 2-65, 3-3, 3-5, 3-7, 3-9, 3-11, 3-13, 3-15, 3-17, 3-19, 3-43, 3-51, 3-55, 3-57, 3-59, 3-61	24199	3-37
130041	2-47	19309	2-73	24339	2-93
13015	2-91	19312	2-43, 2-47, 2-53	24576	3-21, 3-23
13115	2-139	19313	2-63, 2-65	24576-1	3-3, 3-21, 3-23
13122	3-39, 3-43	19315	2-31, 2-33, 2-35, 2-37, 2-43, 2-53	24592	3-37
13248	2-85, 2-133	19317	2-43, 2-47, 2-53	24593	3-29, 3-43, 3-55, 3-57
13301	2-9, 2-11	19324	3-77	24899	2-131
13698	2-141, 2-143	19579	2-63, 2-65	24928-1	2-79, 2-81
13773	2-131	19583	2-93	24976	2-33, 2-37
13902	4-17	19760	2-81	25014	2-17, 2-71
13904	4-17	19768	2-25	25312	3-79
13907	4-3	19827	3-3	25610	2-73, 2-75, 2-77
14131	2-73, 2-75	20394	2-83, 2-85	25887	2-131
14242	2-97	20802	2-19	26395-1	2-75, 2-79, 2-81
14432	2-57, 2-59, 2-61	21117	2-137	26395-2	2-119, 2-121, 3-3
14601	3-51, 3-59	21168	2-125	26496	2-79, 2-81
14983	3-88	21197	2-31, 2-33, 2-35, 2-37, 2-57, 2-59, 2-61, 2-103	27048	2-79, 2-81
150516	2-47	21246	2-7	27978	2-21
15331	2-19	21933	4-13	27988	3-47
15543	2-61	21935	4-13	27990	3-49, 3-71
15543-2	2-59	222290	2-179	29124	2-19
15555-1	2-73	222460	2-97, 2-99, 2-127, 2-129, 3-67	29192	3-5, 3-7, 3-9, 3-11, 3-13, 3-15, 3-17, 3-19
15555-2	2-75, 4-27, 4-29	222497	2-69, 2-71	29499	2-127, 3-67
15678	2-131	222504	2-69, 2-71, 2-109, 2-111	29558	2-127, 3-67
16082	2-125, 3-65, 3-69	222809	2-7	29570	2-19, 2-47
16213	2-101	22297	2-83, 2-85, 3-39, 3-43	30013	2-67, 2-91
16369	2-13	22308-3	2-79, 2-81	30251	2-131
16376	2-139	223163	2-111	30252	2-131
16411	2-3	22622	4-10	30253	2-131
16412	2-3	22654	4-8, 4-9, 4-10	30255	2-131
16455	2-123	23156	2-79, 2-81	31241	2-133
16473	2-137	23163	2-2, 2-3, 2-139	31249	3-31
16695	4-8, 4-9, 4-10	23182	2-139	31354	4-8, 4-9, 4-10
16735	2-13, 2-23, 2-25, 2-41, 2-43, 2-67, 2-73, 2-119, 3-3	23191	2-23	31373	4-9, 4-10
16786	2-123	23210	3-21, 3-23	31375	4-8
16864	2-125	23211	2-123, 3-21, 3-23	31377	4-10
16931	2-7, 2-17, 2-21, 2-63, 2-65, 2-69, 2-71, 2-79, 2-81, 2-85, 2-87, 2-88, 2-89, 2-91, 2-113, 2-141, 2-143, 2-147, 3-9, 3-11, 3-21, 3-23, 3-39, 3-41, 3-43, 3-45, 3-51, 3-59, 3-61, 3-69, 3-77	23274	3-77	31380	4-9
16944	2-119, 2-121	23498	2-119, 2-121, 3-55, 3-57, 3-61, 3-63	31381	4-8
16949	2-21	23683	3-69	31384	4-10
17284	3-23, 3-29	23788	2-99, 2-123	31385	4-9
		23788-1	2-123	31543	3-41, 3-45
				31566	3-69
				31613	2-2, 2-3, 2-139
				31719	2-137
				31750	3-41, 3-45
				31775	2-115, 2-117
				31922	3-3
				32126	2-93

CROSS REFERENCE

Part Number	Page Number	Part Number	Page Number	Part Number	Page Number
32483	2-7, 2-13, 2-19, 2-21, 2-29, 2-31, 2-35, 2-41, 2-43, 2-50, 2-54, 2-73, 2-75, 2-77, 2-83, 2-85, 2-129, 2-143, 3-5, 3-7, 3-45, 3-51, 3-55, 3-57, 3-59, 3-61, 3-63, 3-67, 3-71	32716	2-127, 2-129, 3-67	365164	2-59, 2-61
		32815	2-87, 2-88	36643	2-103
		32822	3-55, 3-57, 3-61, 3-63	367679	2-119
		32899	3-51, 3-59	367950	3-61, 3-63
		32940	2-17	367987	3-39, 3-41, 3-43, 3-45
		32969	2-97	368197	2-129
		32975	2-73	369704	2-7
		32978	2-75, 2-77	369745	2-57, 2-59, 2-61
		32980	2-75, 2-77	369746	2-2, 2-3, 2-57, 2-59, 2-61
32485	2-31, 2-33, 2-35, 2-37, 2-59, 2-61, 2-65, 2-67, 2-85, 2-97, 2-131, 2-133, 2-145, 3-47, 3-49	32981	2-73, 2-75, 2-77, 2-103	369747	2-57, 2-59, 2-61
		32982	2-119, 2-121	369781	2-97, 2-99, 2-127, 3-67
		32983	2-65	370008	2-5
		32984	2-63	370009	2-5
32486	2-15, 2-67, 2-69, 2-71, 2-97, 2-109, 2-111, 2-115, 3-25, 3-55, 3-71	32987	2-93, 2-131	370115	3-35
		330910	3-89	370116	3-35
		330912	3-89	370117	3-35
32490	2-13, 2-15, 2-17, 2-21, 2-25, 2-31, 2-33, 2-35, 2-37, 2-41, 2-43, 2-49, 2-53, 2-73, 2-77, 2-79, 2-81, 2-83, 2-85, 2-87, 2-88, 2-99, 2-107, 2-113, 3-51, 3-59, 3-65, 3-71	330913	3-89	370118	3-35
		330915	3-89	370119	3-35
		330935	3-89	370120	3-35
		33580	4-7	370121	3-35
		33584	2-7	370122	3-35
		33671	2-89, 3-63	370124	2-13, 3-35
		33806	2-87, 2-88	370125	3-35
		33807	2-27	370129	3-35
		33930	2-105, 2-107, 2-113	370130	3-35
		33943	3-31	370143	3-29
		34176	4-8	370159	3-35
32491	2-7, 2-13, 2-15, 2-17, 2-19, 2-25, 2-27, 2-57, 2-59, 2-61, 2-65, 2-67, 2-69, 2-71, 2-73, 2-75, 2-77, 2-79, 2-81, 2-85, 2-91, 2-93, 2-101, 2-107, 2-113, 2-129, 2-133, 2-139, 2-141, 2-143, 2-147, 3-3, 3-9, 3-11, 3-21, 3-23, 3-31, 3-39, 3-41, 3-43, 3-45, 3-71, 3-72, 3-75	34178	4-7	370181	2-95
		34323	2-133	371527	2-63, 2-65
		34376	2-137	371649	4-27, 4-29
		34390	3-67	371651	4-23, 4-25, 4-27, 4-29
		34395	2-137	371653	4-23, 4-25, 4-27, 4-29
		34868	2-119, 2-121	371654	4-23, 4-25, 4-27, 4-29
		34877	3-55	371660	4-23, 4-25, 4-27, 4-29
		35033	2-133	371661	2-73
		35298	3-69	371662	2-2, 2-73
		35426	3-71	371664	4-23
		35484	3-69	371665	4-23, 4-25
		35493	4-11	371675	2-45, 2-47
		35586	2-133, 2-147	371713	4-23, 4-25
		35707	2-79, 2-81	371714	4-23, 4-25, 4-27, 4-29
		35710	2-79, 2-81	371715	4-23, 4-25, 4-27, 4-29
		35973	2-131	371716	4-27, 4-29
		360467	2-127, 3-67	371718	4-23, 4-25, 4-27, 4-29
		360943	2-115, 2-119, 2-121, 3-3	371763	2-39, 2-45, 2-47
		361339	2-107, 2-119, 3-61, 3-63, 3-67, 3-69	371764	2-39, 2-45, 2-47
		363087	2-129	371770	2-53
		36328	2-15, 2-17, 2-115, 2-117, 2-131	371854	2-39, 2-45, 2-47, 2-59, 2-61
		36376	3-71		
		363976	2-63, 2-65		
		36438	3-21, 3-23		
		36439	3-21, 3-23		
		364441	2-63		
		364498	2-115		
		364983	2-137		
32494	2-115				
32516	3-21, 3-23				
32520	2-19				

CROSS REFERENCE

Part Number	Page Number	Part Number	Page Number	Part Number	Page Number
371855	2-31, 2-33, 2-35, 2-37	371934	5-5	371999	5-3, 5-5
371857	2-31, 2-35	371935	5-5	372000	5-7
371859	2-179	371936	5-5	372001	5-7
371860	2-31, 2-33, 2-35, 2-37, 5-9	371937	5-5	372002	2-31, 2-33, 2-35, 2-37, 5-7
371861	2-67, 2-69, 2-71	371938	5-5	372003	5-7
371862	2-39, 2-45, 2-47, 2-59, 2-61	371940	5-8	372004	5-7
371863	2-63, 2-65	371941	5-8	372005	5-7
371864	2-63, 2-65	371942	5-5	372006	5-3
371865	2-63, 2-65, 5-9	371943	5-8	372007	5-3
371866	2-31, 2-33, 2-35, 2-37	371944	5-5	372008	5-3
371867	2-31, 2-35	371945	5-5	372009	5-11
371868	2-31, 2-33, 2-35, 2-37	371946	5-5	372010	5-11
371869	2-31, 2-33, 2-35, 2-37	371947	5-7	372011	5-11
371870	2-31, 2-33, 2-35, 2-37	371948	5-7	372012	5-11
371871	2-63, 2-65	371949	5-7	372013	5-11
371872	2-63, 2-65	371950	5-7	372014	5-11
371873	2-2, 2-3, 2-63	371951	5-7	372015	5-11
371874	2-63	371952	5-7	372016	5-11
371875	2-63, 2-65	371954	5-3	372017	5-3, 5-11
371876	2-31, 2-33, 2-35, 2-37	371955	5-3	372018	5-3
371877	2-53, 2-63, 2-65	371956	5-3	372019	5-3
371878	2-39, 2-45, 2-47	371957	5-3	372020	5-9
371879	2-39, 2-45, 2-47	371958	5-3	372021	5-9
371880	2-39, 2-45, 2-47	371959	5-8	372022	5-3
371881	5-9	371960	5-8	372023	5-3
371882	5-9	371961	5-8, 5-11	372024	5-3
371883	5-9	371962	5-5	372025	5-3
371884	5-9	371963	5-5	372026	5-3
371885	5-9	371964	5-5	372027	5-3
371886	5-9	371965	5-5	372028	5-3
371887	2-31, 2-35	371966	5-5	372029	5-3
371888	5-9	371967	5-5	372030	5-3
371889	2-31, 2-35	371968	5-5	372031	5-3
371890	2-31, 2-33, 2-35, 2-37	371969	5-5	372032	5-3
371904	2-29	371970	5-5	372033	5-3
371906	4-27	371971	5-5	372034	5-3
371908	4-27, 4-29	371972	2-2, 2-3, 2-31, 2-33, 2-35, 2-37, 5-8	372035	5-3
371909	2-39, 4-27	371973	5-8	372036	5-3
371910	2-39, 4-29	371974	5-7	372037	5-3
371911	4-27, 4-29	371975	5-8	372038	5-3
371912	4-23, 4-25, 4-27, 4-29	371976	5-5	372039	5-3
371915	4-23	371977	5-5	372040	5-11
371916	2-45, 2-47, 4-23	371978	5-5	372041	5-11
371917	2-45, 2-47, 4-25	371979	5-5	372042	5-11
371918	4-23, 4-25	371980	5-7	372043	5-11
371919	2-45, 2-47	371983	5-7	372044	5-11
371920	2-45, 2-47	371984	5-7	372046	5-11
371931	5-5	371986	5-7	372047	5-3
371932	5-5	371987	5-7, 5-8	372048	5-3
371933	5-5	371988	5-7	372049	5-9
		371989	5-7	372050	5-9
		371990	5-3	372051	5-9
		371991	5-7	372052	5-9
		371992	5-8	372053	5-9
		371993	5-7	372054	5-12
		371994	5-7	372055	5-12
		371995	5-3, 5-8	372056	5-12
		371996	2-33, 2-37, 5-7	372057	5-12
		371997	5-7	372058	5-12
		371998	5-7		

CROSS REFERENCE

Part Number	Page Number	Part Number	Page Number	Part Number	Page Number
372059	5-12	372572	5-7	373389	4-3
372060	5-12	372573	5-3	373390	4-3
372066	5-9	372574	5-3	373391	4-3
372068	2-45	372575	2-2, 2-3, 5-12	373393	4-3
372075	2-3	372576	2-49	373394	4-3
372235	2-179	372577	2-49	373395	4-3
372236	2-179	372579	2-49, 2-53	373396	4-3
372237	2-179	372580	2-49	373398	4-3
372440	2-3, 2-75, 2-77	372582	2-49	373402	4-3
372470	2-43, 2-53	372603	5-12	373413	4-3
372482	2-41, 2-49	372605	2-49	373429	4-3
372484	2-49	372606	2-49	373430	4-3
372489	2-41	372607	2-43, 2-49, 2-53	373434	4-3
372491	2-33, 2-37	372608	2-49	373452	2-145, 4-3
372493	2-41, 2-49	372609	2-49	373494	4-3
372497	2-50	372610	2-49	373554	4-17
372498	2-49	372611	2-49	373560	4-13
372500	2-49	372612	2-49	373573	4-17
372501	2-50	372613	2-50	373574	4-17
372502	2-50	372615	2-50, 2-53	373575	4-17
372506	2-49	372616	5-11	373576	4-17
372507	2-49	372857	2-49	373577	4-17
372510	2-49	372858	2-41	373578	4-17
372511	2-49	372862	2-33, 2-37	373579	4-17
372512	2-49	372882	5-3	373580	4-17
372514	2-49	372898	2-49	373581	4-17
372515	2-49	372937	2-47	373582	4-17
372517	2-49	372953	2-33, 2-37	373583	4-17
372518	2-50	373201	4-5	373584	4-17
372523	2-50	373207	4-5	373585	4-17
372528	2-49, 2-53, 3-41, 3-45	373211	4-5	373586	4-17
372529	2-53	373217	4-7	374504	2-133
372534	2-41, 2-43, 2-53	373226	4-7	374505	2-133
372536	2-65	373227	4-5	374517	2-7
372537	2-41, 2-49	373232	4-5	374520	2-101
372539	2-41, 2-53	373234	4-5	374552	2-93
372541	2-33, 2-37	373235	4-5	374553	2-93
372542	2-41	373236	4-7	374560	2-93
372543	2-41, 2-43, 2-53	373242	4-5	374561	2-93
372544	2-41, 2-43, 2-49	373243	4-5	374563	2-93
372545	2-41, 2-43	373244	4-5	374602	3-83
372546	2-41	373255	4-5	374604	3-85
372547	2-41, 2-43, 2-49, 2-53	373257	4-5	374605	3-85
372548	2-43, 2-49, 2-53	373260	4-7	374607	3-86
372549	2-41, 2-43, 2-49, 2-53	373276	4-5	374608	3-86
372550	2-41, 2-43, 2-49, 2-53	373284	4-5	374651	3-31
372554	2-33, 2-37	373285	4-5	374653	3-31
372556	2-33	373286	4-5	374654	3-31
372557	2-65	373287	4-5	374688	3-84
372558	2-50	373288	4-5	374689	3-84
372560	5-8	373291	4-7	374691	2-67
372563	2-41	373297	4-7	374710	2-97
372566	2-41	373298	4-7	375202	2-119
372567	5-7	373299	4-7	375249	2-119, 2-121
372569	2-49	373317	4-3	375306	3-37
372571	2-3, 2-65	373327	4-3	37555	4-8, 4-9, 4-10
		373336	4-3	37616	4-7
		373337	4-3	377008	2-105
		373340	3-69, 4-10	377013	3-79
		373346	4-3	377031	3-25

CROSS REFERENCE

Part Number	Page Number	Part Number	Page Number	Part Number	Page Number
377046	2-179	378972	2-133	379890	2-119, 2-121
377061	2-105	379532	2-125, 3-65	380558	2-91
377063	2-179	379555	2-119, 2-121	380618	3-39, 3-41, 3-43,
377070	2-13	379565	2-17		3-45
377071	2-13	379607	2-125, 3-65, 4-9	381962	3-31
377072	2-13	379608	2-131, 4-8	382459	3-3
377073	2-13	379609	2-93, 4-7	382516	2-25
377086	3-19	379656	2-29	38255	4-7
377088	3-17	379665	2-29	382634	3-61, 3-63
377098	3-53	379698	2-2, 2-109, 2-111	383000	3-63
377109	4-20, 4-21	379699	2-2, 2-109, 2-111	383139	2-131
377136	3-89	379701	2-109, 2-111	383142	2-131
377141	3-61	379702	2-2, 2-109, 2-111	383143	2-131
377144	3-77	379703	2-2, 2-109, 2-111	383160	2-7
377165	3-61, 3-63	379704	2-2, 2-105	383161	2-7
377168	2-180	379705	2-2, 2-105	383162	2-19
377169	2-180	379706	2-2, 2-105	383165	2-25
377180	2-31	379719	2-119, 2-121	383183	2-15
377181	2-35	379726	2-105, 2-111	383184	2-15
377186	2-180	379727	2-105, 2-111	383185	2-15, 2-17
377190	3-23	379728	2-109, 2-111	383194	2-129
377192	3-21	379732	2-101	383205	2-129
377199	2-13	379733	2-91	383723	3-52
377201	2-83	379737	3-71	384442	2-69, 2-71
377202	2-67	379740	3-71	384961	5-5
377207	2-79	379750	2-11	384962	5-8
377212	2-83, 2-85	379751	2-9	384963	5-5
377218	2-79	379752	2-7	384964	5-5
377219	2-73	379755	2-9, 2-11	384966	5-7
377225	2-137	379756	2-9, 2-11	384968	5-7
377226	2-137	379784	2-113	384970	2-53
377230	2-137	379786	2-113	384971	2-53
377232	2-137	379787	2-113	384973	2-53
377233	2-137	379788	2-115	384974	2-43, 2-53
377234	2-137	379789	2-115	384975	2-53
377235	2-137	379791	2-2, 2-109, 2-111	384976	2-53
377241	2-13	379792	2-2, 2-105	384977	2-53
377244	2-139	379797	3-77	384978	2-53
377245	2-73	379803	3-77	384979	2-53
377246	2-73	379804	3-77	384980	2-53
377247	2-73	379810	3-77	384983	2-53
377248	2-73	379812	2-105	384984	2-53
377249	2-131	379815	2-125, 3-65	384985	2-43, 2-53
377250	2-137	379817	2-119	384986	2-53
377262	3-11	379820	2-115	384990	2-179
377264	3-7	379821	2-109, 2-111	384991	2-53
377266	3-15	379822	2-119, 2-121	384992	2-43
377271	3-9	379827	2-115	384995	2-43, 2-53
377273	3-5	379829	2-105, 2-109, 2-111,	384996	2-53
377275	3-13		2-119	384997	2-179
377280	3-3	379832	2-109, 2-111	384998	2-179
377293	2-25	379834	2-105	384999	2-179
377294	2-25	379835	2-105	385009	2-77
377295	3-43, 3-45	379844	3-88	385029	2-33, 2-37
377296	3-43	379849	2-119, 2-121	387151	2-127, 3-67
377297	3-43	379855	3-3	388552	5-11
377537	2-3	379862	3-65	38968	4-7
377538	2-3	379871	2-15	39005	2-23, 2-97, 2-99,
377540	2-3	379881	2-113		2-101, 3-31, 3-71
37756	4-7	379883	2-115	391816	3-31

CROSS REFERENCE

Part Number	Page Number	Part Number	Page Number	Part Number	Page Number
391850	3-25	39349	2-41, 2-43, 2-65,	42368	2-75, 2-77
391955	2-179		2-89, 2-91, 2-93,	42467	2-103
391956	2-179		2-97, 2-99, 2-103,	43290	2-129
39210	2-109, 2-111		3-3, 3-29, 3-39,	43555	3-55, 3-57
392171	2-25		3-41, 3-43, 3-45,	43611	3-31
39239	2-39, 2-45, 2-47		3-47, 3-61, 3-69	43844	2-41, 2-43, 2-50,
39254	2-29	39350	2-93		2-54, 2-73, 2-75,
392645	2-79, 2-81	39394	2-125, 3-65		2-77, 2-87, 2-88
39272	2-91	39395	2-131	43955	3-31
39277	2-13, 2-15, 2-19,	39396	3-69	43957	2-97
	2-57, 2-67, 2-71,	394916	2-179	43958	2-93
	2-73, 2-75, 2-77,	394921	2-179	44078	2-27
	2-79, 2-81, 2-91,	39527	4-8	44681	3-7, 3-11, 3-15, 3-19
	2-113, 2-133, 2-143,	395973	2-147	44681-1	3-7, 3-11, 3-15, 3-19
	3-51, 3-59, 3-72	396210	2-137	44681-2	3-7, 3-11, 3-15, 3-19
39283	2-31, 2-33, 2-35,	396234	2-137	44868	2-133, 2-145, 2-147
	2-37, 3-25, 3-88	396279	2-141, 2-143	44869	2-131
39284	2-27, 2-67, 2-69,	39649	2-63	44906	2-13, 2-15, 2-17,
	2-71, 3-77, 3-87	39785	2-65		2-101, 3-77
39285	2-63, 2-127, 2-129,	39810	2-31, 2-33, 2-35,	45272	3-9, 3-11
	2-133, 3-67		2-37	45622	4-7
39308	2-123	398279	2-2, 2-3, 2-57, 2-59,	45623	4-7
39311	2-63, 2-65, 2-71		2-61	45628	4-8, 4-9, 4-10
39312	2-101, 2-103, 2-129	40514	2-133	45779	3-5, 3-7, 3-9, 3-11,
39313	2-17	40585	2-73		3-13, 3-15, 3-17,
393209	2-63, 2-65	40607	2-119, 2-121		3-19
393215	2-93	40678	2-77, 3-3	45780	2-7
393330	4-20, 4-21	41016	2-73	45786	2-95, 3-82
393331	4-20	41139	2-73, 2-75, 2-77,	46481	2-141, 2-143
393332	4-20, 4-21		3-3, 3-21, 3-23	46559	2-125, 2-145, 3-65
393333	4-20	41140	2-31, 2-33, 2-35,	47501	3-69
393334	4-20		2-37	47504	2-125, 3-65
393335	4-20, 4-21	41141	2-7, 3-3	47508	2-125, 2-145, 3-65,
393336	4-20, 4-21	41142	2-7		3-69
393337	4-20, 4-21	41178	2-23, 2-85, 2-105,	47512	2-145, 2-147
393340	3-43, 3-45, 4-19		2-113, 2-115, 2-133,	47720	2-79, 2-81
393341	4-19		2-141, 3-37, 3-77	47745	2-125, 3-65
393342	4-19	41186	2-21, 2-103, 2-131,	47801	2-93, 2-109, 2-111
393343	4-19		3-51, 3-59	48079	2-103
393344	4-19	41187	2-9, 2-11	48126	2-73, 2-75, 2-77
393345	4-19	41342	2-7, 2-101	48267	2-73, 2-75
393346	4-19	41346	2-117, 3-25, 3-55,	48570	3-3
393347	4-19		3-71	48813	4-11
393348	4-19	41359	2-31, 2-33, 2-35,	48985	2-97
393349	4-19		2-37	48996	2-65
393350	4-19	41361	2-63	49032	3-25, 3-29
393351	4-19	41372	3-47, 3-49	49034	3-25, 3-29
393355	3-39, 3-41, 3-43,	41430	2-83, 2-85, 2-95,	49263	2-23, 2-25, 3-52,
	3-45		2-101, 2-103, 2-127,		3-65
393356	3-39, 3-41, 3-43,		2-129, 2-133, 3-25,	49266	2-87, 2-88, 2-89,
	3-45		3-51, 3-55, 3-57,		2-91, 2-119, 2-121,
393362	3-43, 3-45		3-59, 3-67		3-3, 3-5, 3-7, 3-9,
393363	3-52	41437	3-3		3-11, 3-13, 3-15,
393369	3-39, 3-41, 3-43,	41619	2-9, 2-11		3-17, 3-19, 3-21,
	3-45	41845	3-33		3-23, 3-69
393392	3-37	42011	2-65	49697	2-143
393394	3-37	42120-1	2-109, 2-111, 2-123	49800	2-143
393396	3-37	42216	2-139	49826	2-105, 2-109, 2-111,
		42223	2-93, 2-145		2-113, 2-125, 3-65
		42260	2-143	50045	2-103

CROSS REFERENCE

Part Number	Page Number	Part Number	Page Number	Part Number	Page Number
50335	2-33, 2-37, 2-75, 2-77, 2-103	54096	2-129	55347	2-17
50902	2-21, 2-79, 2-81, 2-133, 3-49	54182	2-7	55455	2-141, 2-143
50960	2-123, 2-133	54184	2-7	55461	3-33
51021N	2-5	54190	2-7	55462	2-123
51109	2-99	54204	2-131	55463	2-123
51176	2-31, 2-33, 2-35, 2-37	54205	2-103	55489	3-55, 3-57
51225	2-125, 3-65, 3-69	54274	2-83, 2-85, 2-133	55586	2-109, 2-111, 2-129, 2-147
51305	2-41, 2-43, 2-47, 2-50, 2-54, 2-83	54275A	2-133	55617	3-71
51338	2-93, 2-97, 3-84, 3-85, 3-86	54333	2-39, 2-45, 2-47	55685	2-93
51339	2-93, 2-97	54343	2-79, 2-81	55767	3-71
51538	2-125, 3-65, 3-69, 3-77	54345	2-23	55776	3-69
51542	2-5	54390	2-97	55778	3-69
51545	2-99	54395	2-141, 2-143	55779	2-131
51562	2-99	54400	2-97, 2-99, 2-127, 3-67	55793	3-69
51564	2-117, 2-131	54404	3-71	55823	3-69
51570	3-3	54427	3-71	55834	3-69
51715	2-131, 3-69	54428	3-71	55845	2-123, 3-79
51813	2-101	54437	2-97	55890	2-2, 2-107
51839	2-41, 2-43, 2-49, 2-53	54465	3-71	55914	2-109, 2-111
52402	2-131, 2-147	54567	2-97	55926	4-3
52405	4-7	54577	2-97	55930	4-3
53076	2-145	54607	2-99	55931	4-3
53091	3-51, 3-59	54615	2-13	55932	4-3
53395-2	2-79	54616	2-99	55959	3-29
53400-1	2-79, 2-81	54617	2-97	55963	3-29
53466	2-115, 2-117, 2-125, 2-139, 2-141	54618	3-71	55968	3-29
53468	2-73	54620	3-71	55973	3-29
53485	2-133, 4-11	54621	3-71	56185	2-23
53601	2-93, 4-15	54655	2-103	56186	2-29, 3-52
53816	3-81	54660	2-125, 3-65	56198	2-23
53817	3-81	54845	2-73	56228	2-131
53818	2-95	54878	2-131	56379	2-23
53819	2-95	54911-32	2-85	56385	2-23
53819-2	2-95, 3-82	54922	2-5	56392	2-23
53883	3-55, 3-57	54923	2-5	56398	2-23
53894	3-55, 3-57	54925	2-5	56546	3-29
53895	3-55, 3-57	54927	2-5	56560	3-29
53927	2-101	54996	2-101	56690	2-147
53947	2-103	54999	2-103	56692	2-145
53953	2-103	55021	2-107	56820	2-23, 2-93, 2-147
53965	2-125	55035	2-27, 3-29	56821	2-139
53984	3-69	55038	3-31	56890	2-7
54013	2-2, 2-107	55048	3-51, 3-59	56914	2-9, 2-11
54014	2-2, 2-107	55073	3-27	56976A	2-79, 2-81
54050	2-125	55074	3-27	57075	3-65, 3-69
54051	2-93	55161	3-27	57167	2-7, 3-33, 3-37
54052	2-93	55162	3-27	57220	3-5, 3-7
54079	2-123	55164	3-27	57297	2-79, 2-81
54087	2-93	55222	2-73, 2-75, 2-77	57404	2-73
54089	2-2, 2-107	55227	3-29	57564	2-23
54093	2-7	55228	3-29	57702	2-13, 3-31
54095	4-11	55248	2-87, 2-88, 3-5, 3-7, 3-9, 3-11, 3-13, 3-15, 3-17, 3-19, 3-21, 3-23	57772	2-13, 3-33
		55270	3-29	57773	2-31, 2-33, 2-35, 2-37
		55272	3-5, 3-7, 3-9, 3-11, 3-13, 3-15, 3-17, 3-19	57804	2-179
				57807	3-33, 3-52, 3-69
				57935	2-23
				57962	2-137, 3-67
				58078	2-97

CROSS REFERENCE

Part Number	Page Number	Part Number	Page Number	Part Number	Page Number
58286	3-47, 3-49	59665	3-25	62390	2-133
58346	2-57, 2-59, 2-61	59666	3-25	62595	2-115, 2-117
58359	2-123	59668	2-101	62595-21	2-7
58366	2-41, 2-43	59672	2-101	62595-22	2-13
58494	2-19, 3-51, 3-59, 3-69	59680	2-2, 2-107	62595-23	2-13
58518	3-5, 3-9, 3-13, 3-17	59681	2-2, 2-107	62595-6	2-23
58519	3-5, 3-9, 3-13, 3-17	59692	2-9, 2-11	62865	2-81
58520	3-5, 3-9, 3-13, 3-17	59695	2-17	63234	2-103
58524	2-115, 2-117	59734	2-133	63378	3-55, 3-57
58540	2-133	59735	2-133	63469-3	3-55, 3-57
58589	2-79, 2-81	59760	2-11	63810	2-39, 2-41, 2-43, 2-45, 2-47, 2-50, 2-53, 2-59, 2-61, 3-39, 3-41, 3-43, 3-45
58590	2-79, 2-81	59761	2-9	63852	2-23
58595	2-13	59767	2-180	64153	2-105
58645	2-123	59768	3-55, 3-57	64320	3-55, 3-57
58665	2-23	59771	2-13	64535	2-113
58667	2-23	59789	2-139	64595	2-113, 3-51, 3-59, 3-69
58770	2-9, 2-11	59790	2-139	64886	2-93
58842	2-93	59797	3-33	64887	2-93
58849	3-51, 3-59	59799	3-33	65145-1	2-145
58858	2-139	59803	3-33	65208	2-137
58881	3-55, 3-57	59822	2-13	65232	4-9
58898	3-31	59825	2-123	65553	3-33, 3-52
58979	2-99	59827	2-123	65560	3-69
58999	3-51, 3-59	59828	2-21	65561	3-33, 3-52
59004	2-117	59829	2-21	66018	2-5
59012	3-55, 3-57	59830	2-21	66019	2-5
59013	3-55, 3-57	59842	2-123	66176	3-77
59018	2-21	59849	2-123	66177	3-77
59019	3-51, 3-59	59861	2-123	66184	2-133
59104	3-55, 3-57	59866	2-123	66197	3-29
59106	2-137	59867	2-123	66211	2-97
59192	2-9, 2-11, 2-17	59870	2-17	66213	2-97
59194	2-11	59881	2-83, 3-31	66221	3-29
59195	2-9	59892	2-79, 2-81	67767	2-79, 2-81
59335	4-14	59899	2-127, 3-67	68106	2-33, 2-37
59377	2-21	59919	3-55, 3-57	68301	2-47
59378	4-11	59920	3-3	68445	3-65
59380	2-123	59940	2-23	68872	2-89, 2-91
59431	2-5	59949	2-7	68873	2-89, 2-91
59432	2-5	59962	3-3	69173	2-147
59440	2-5	59967	2-133	69234	2-27, 2-89, 2-91, 2-143, 3-39, 3-41, 3-43, 3-45
59447	3-5, 3-7	60283	3-3	69462	2-13
59448	2-115, 2-117	60284	3-3	69904	2-7
59514	3-31, 3-51, 3-59	60285	3-73	69906	3-51, 3-59
59515	3-31	60286	3-73	69907	3-51, 3-59
59537	2-9	60287	3-29	69908	2-123
59538	2-11	60288	3-5, 3-7, 3-13, 3-15, 3-17, 3-19	69915	2-7
59542	2-123	60292	2-89	69923	3-55
59551	2-83	60295	2-89	69931	2-9, 2-11
59574	2-137	60339	2-2	69933	2-99
59578	2-137	60388	2-117	69935	3-59
59621	2-27	60428	3-77	69937	3-55, 3-57, 3-61, 3-63
59622	2-27	60751	3-3		
59623	2-27	60862	3-31		
59647	2-21, 2-27	61488	3-80		
59649	2-133	61490	4-8		
59656	2-133	61870	3-39, 3-43		
59658	2-105	61913	3-33		
59661	2-21	61920	3-21, 3-23		

CROSS REFERENCE

Part Number	Page Number	Part Number	Page Number	Part Number	Page Number
69951	3-51, 3-59	72119	2-11	74245	4-13
69952	3-51, 3-59	72120	2-9, 2-11	74250	4-9, 4-10
69953	3-55, 3-57	72128	2-79, 2-81	74352	2-113
69955	3-55, 3-57	72130	2-101	74353	2-113
69958	3-57	72131	2-101	74381	3-77
69972	2-115, 2-117	72132	2-99	74382	3-77
69981	3-55, 3-57	72133	2-133	74383	3-77
69986	2-19, 3-51, 3-59	72142	3-33	74406	2-73, 2-75
69987	2-19, 3-51, 3-59	72143	3-55, 3-57	74409	2-117
69990	2-133	72154	2-21	74419	2-123, 4-14
69991	3-71	72159	2-117	74428	3-31
69993	3-71	72176	2-15, 2-17	74429	3-29
69994	3-71	72178	3-3	74430	3-29
69995	3-71	72424	3-65	74431	3-29
69997	3-71	72427	3-65	74433	3-33
69998	3-71	72560	2-73	74438	3-55, 3-57
69999	3-69	72561	2-31, 2-35	74439	3-55, 3-57
70096	4-3	72926	2-93	74440	2-103
70100	4-3	72968	2-9, 2-11	74454	2-133
70142	3-51, 3-59	72969	2-117	75128	2-21
70157	2-93	72971	2-117	75430	2-101, 3-31
70158	2-97	73281	2-93	75934	2-101
70159	3-21, 3-23	73411	2-101	75939	2-117
70161	2-97	73471	2-41, 2-43, 2-50,	76099	2-9, 2-11, 3-31
70173	2-73		2-53	762514	2-29, 3-33
70193	2-113	74068	3-61	762516	2-29
70221	2-79, 2-81	74094	4-8, 4-9, 4-10	763045	3-17, 3-19
70248	2-17	74095	4-8	763066	2-19
70252	2-17	74098	4-8, 4-10, 4-17	763116	3-43, 3-45
70267	3-71	74099	4-8	76315	2-147
70268	3-71	74100	4-8, 4-9, 4-10	76316	2-139
70271	2-123	74101	4-9, 4-10	76570	2-13, 2-27, 2-59,
70272	2-123	74122	4-7		2-61, 2-77, 2-127,
70278	3-82	74123	4-7		2-139, 3-67
70279	3-82	74125	4-7	76589-2	2-39, 2-45, 2-47
70280	2-95, 3-82	74142	2-23	76736	2-73, 2-77
70281	3-82	74154	4-5	768897	2-87, 2-88
70287	2-95	74161	4-5	76955	3-39, 3-41, 3-43,
70538	2-5	74165	4-7		3-45
70876	2-39, 2-45, 2-47	74166	4-7	76956	2-19
71021	2-91	74167	4-7	76958	2-63, 2-65
71022	3-80	74168	4-7	77097	2-109, 2-111, 2-123,
71025	3-55, 3-57	74174	4-8		2-127, 2-129, 2-147,
71057	3-33	74180	4-3		3-67
71058	3-23, 3-29	74183	4-13	77098	2-123
71373	2-97	74185	4-13	77306	2-137
71539	2-29	74192	4-13	77320	2-119, 2-121
71540	2-125	74193	4-13	77335	2-127, 3-67
71543	3-9, 3-11	74196	4-13	77336	2-127, 3-67
71544	3-21, 3-23	74222	4-13	77399	2-27
71552	2-137	74225	4-3	77575	2-147
71562	2-141, 2-143	74226	4-3	77640	2-137
71725	4-5	74231	4-13	77641	2-137
71726	2-145	74232	4-13	77728	2-19
71727	2-23	74233	4-11	77784	2-137
72024	3-31	74234	4-13	78043	2-73
72049	3-33	74236	4-13	78122	2-79, 2-81
72068	2-2	74237	4-3	78143	2-133, 2-139
72100	3-11	74243	4-13	79399	2-31, 2-33, 2-35,
72118	2-9	74244	4-13		2-37

CROSS REFERENCE

Part Number	Page Number	Part Number	Page Number
79729	4-7	9000879	3-5, 3-7, 3-9, 3-11, 3-13, 3-15, 3-17, 3-19
79828	4-7	9000886	2-47
82063	3-5, 3-9, 3-13, 3-17	9000902	4-20, 4-21
82196	3-88	9000903	4-20, 4-21
82200	3-7, 3-11, 3-15, 3-19	9000904	4-20, 4-21
82334	3-69	9001557	2-123
82457	2-117, 3-29, 3-31	9003045	2-50
82483	2-107	9003047	2-50
82733	2-119, 2-121	9003345	5-3
82739	2-119, 2-121	9003390	2-43
82816	3-67	9003391	2-54
82820	2-137	9003926	3-89
82825	2-147	9004539	2-50
82830	2-143	9004550	2-119, 2-121
82842	3-69	9004673	5-7
83578	2-41, 2-43, 2-50, 2-53	9004674	5-11
83584	4-19	9004675	5-11
83591	2-75		
84170	2-101		
84581	2-125, 3-65, 3-69		
86240	2-97, 2-99, 2-129		
86330	2-119, 3-5, 3-7		
86332	3-5, 3-7, 3-13, 3-15		
86333	3-5, 3-7, 3-9, 3-11		
86727	2-83, 2-85		
86751	2-99		
87308	2-85		
87396	2-73, 2-75, 2-77		
87536	2-25		
87631	2-131		
87676	2-125, 2-141, 2-143, 3-65		
87677	2-109		
87767	2-111		
87866	2-25		
87948	3-3		
9000200	2-2		
9000201	2-2		
9000202	2-3		
9000203	2-2		
9000210	2-145, 4-5		
9000243	3-69		
9000249	2-137, 3-65		
9000250	3-65		
9000263	3-63		
9000266	3-37		
9000267	2-29		
9000354	2-45, 2-47, 4-23, 4-25, 4-27, 4-29		
9000355	2-77		
9000371	2-137		
9000475	2-25		
9000521	4-27, 4-29		
9000845	3-5, 3-9, 3-13, 3-17		
9000846	3-7, 3-11, 3-15, 3-19		
9000852	2-3		
9000853	2-3		
9000860	4-20, 4-21		

PART DESCRIPTION TO PAGE NUMBER CROSS REFERENCE LIST

A

Actuator Assy, 12vdc, 06.0stroke 250lb, 3-71
 Actuator, 12vdc, 04.0stroke 250lb, 3-69
 Actuator, Valve, Bypass, 4-3
 Adapter, Intake, Throttle Body, 2-41, 2-43, 2-53
 Adapter, Valve, 400Mm [Bosch], 2-53
 Adaptor [1.6], 2-50
 Adaptor Assy, Pump, Hyd, 4-3
 Adaptor, Manifold, Intake, 5-9
 Adaptor, Plate, 2-49
 Adaptor, Throttle Body, 2-49
 Adaptor, Tube, A/C, 4-20, 4-21
 Adaptor, Valve, Fuel Trim, 2-49
 Alarm Assy, Backup, 12-24vdc 82-107dba, 3-21, 3-23
 Alternator, 12vdc 075a Multi Groove, 2-63, 2-65
 Angle, Mtg, Stil, .06 1.0 1.0 28.5l, 3-29
 Angle, Retainer, Spring, 2-127, 3-67
 Angle, Stop, 3-77
 Anglr, Mtg, Muffler, 2-67
 Arm Wldt, Brush, Main, Drive, Lh, 2-131
 Arm Wldt, Safety, Sppt, Seat, .38d 10.1l, 2-13
 Arm Wldt, Sppt, Brush, Side, 2-125, 3-65, 3-69
 Arm, Adj, Alternator, 3-47
 Arm, Brush, Main, W/ Label [6600], 2-131
 Arm, Cntrl, Pintle, Casting, 2-103
 Arm, Cntrl, Pintle, Centering, 2-103
 Arm, Compressor, 3-47
 Arm, Lift, Hppr, W/ Label, 2-123
 Arm, Rocker, Valve, 5-3
 Arm, Safety, Hppr, W/ Label, 2-123
 Arm, Swing, Lh, 2-13
 Arm, Swing, Rh, 2-13
 Arm, Wiper, Windshield, [Panto], 3-33

B

Ball, Camshaft, 5-11
 Balljoint, .25-28 Fem/.25-28mal, 3-51, 3-59
 Bar, Flt, Stil, 0.18 X 3.0 X 10.0 L, 2-83
 Bar, Flt, Stil, 0.19 X 1.50 X 04.10l, 2-93
 Bar, Hex, Stil, 0.75 2.5l M8x1.25 Thru, 3-71
 Bar, Wand, 3-61
 Base Assy, Fan, 2-63, 2-65
 Battery, 12vdc, 0475cca, Wet, 2-89, 2-91
 Bearing, 2-99
 Bearing Kit, 4-13
 Bearing Kit, Cshft, 1.989-1.995mm (Brown), 5-5
 Bearing Kit, Cshft, 1.989-1.995mm (Green Blue), 5-5
 Bearing Kit, Cshft, 1.995-2.001mm (Brown Blue), 5-5

Bearing Kit, Cshft, 1.995-2.001mm (Green), 5-5
 Bearing Kit, Cshft, 2.114-2.120mm, 5-5
 Bearing Kit, Cshft, 2.120-2.126mm, 5-5
 Bearing Kit, Rod, Connecting, Std, 5-5
 Bearing Thrust, 4-10
 Bearing, Ball, 1.38b 2.83d 0.67w, 2-131
 Bearing, Cone, 1.38b 0.71w, 2-93, 2-97
 Bearing, Cone, Pump, Hyd, 4-3
 Bearing, Cup, 4-3
 Bearing, Cup, 2.56d 0.55w, 2-93, 2-97, 3-84, 3-85, 3-86
 Bearing, Self Align, 1.25b 2.00d, 2-109, 2-111, 2-123
 Bearing, Thrust, Motor, Hyd, 4-8, 4-9
 Bearing, Thrust, Pump, Hyd, 4-3
 Bearing, Valve, Strg, 4-13
 Bearing, W/ Collar, 0.75b 1.85d 1.06w, 2-131
 Belt, Ribbed, 38.5l, 2-65
 Belt, Ribbed, 39.0l, 2-3, 2-65
 Belt, Timing, 5-11
 Belt, V, 3-47, 3-49
 Belt, V, [6v] 39.0l, 2-2, 2-3, 2-63
 Blade, Wiper, Windshield 18.0, 3-33
 Block, Expansion, A/C, 4-20
 Block, Short, Eng, W/ Piston & Ring, 5-5
 Body, Pump, Gear, 4-5
 Bolt, Bracket, Sensor,Cshft Position, 5-7
 Bolt, Bracket,Screen,Oil Pump,M6x1x1, 5-7
 Bolt, Camshaft Cover, 5-3
 Bolt, Carriage, M06 X 1.0 X 30, 2-2, 2-109, 2-111
 Bolt, Carriage, M08 X 1.25 X 35, 2-2, 2-105
 Bolt, Carriage, M08 X 1.25 X 40, 2-7
 Bolt, Connecting Rod, 5-5
 Bolt, Cover, Camshaft, M6 X 1 X 22, 5-11
 Bolt, Cover, Oil Pump, M6 X 14, 5-7
 Bolt, Cover, Water Pump, 5-7
 Bolt, Eng Cover, M6 X 1 X 13, 5-11
 Bolt, Eye, .25-20 X 1.40 X .25 Eye, 2-103
 Bolt, Eye, M08x1.25 X 030mm 8.0 Eye, 3-71
 Bolt, Eye, M10x1.50 X 117mm 8.0 Eye, 2-125, 2-129
 Bolt, Flywheel, 5-5
 Bolt, Head, Cyl, 5-3
 Bolt, Hex, M08 X 40mm, G8.8, 5-9
 Bolt, Hex, M08 X 50mm, G5, 5-9
 Bolt, Hold-Down, Battery 08.5l, 2-91
 Bolt, Hsng, Thermostat, 5-3
 Bolt, Latch, 2-21
 Bolt, Latch, F/58489/58844, 3-31
 Bolt, M06 X 1.00 X 13mm, 5-8
 Bolt, M07 - 1.0, 2-31, 2-35
 Bolt, M08 X 1.25 X 25mm, 5-5
 Bolt, M10 X 1.50 X 75mm, 5-5
 Bolt, M12 X 1.75 X 62mm, 5-5
 Bolt, Motor, Hyd, 4-7

Bolt, Pan, Oil, 5-8
 Bolt, Pulley, Cshft, 5-5
 Bolt, Pump, Oil, 5-7
 Bolt, Retainer, Camshaft, M6 X 1 X 16, 5-11
 Bolt, Sensor, Position, Cshft, 5-7
 Bolt, Shield, Manifold, Exhaust, 5-9
 Bolt, Shld, .25d X 1.25, #10-24, 3-31
 Bolt, Shld, .31d X 1.00, .25-20, 2-101
 Bolt, Shld, .38d X 0.38, .31-18, 3-31
 Bolt, Soc Head, M5 X 80 X 35, 2-53
 Bolt, Sprocket, Camshaft, M10x1.25x60, 5-11
 Bolt, Tensioner [Gm], 5-11
 Bolt, Tensioner, Timing Belt,M8x1.25x48, 5-11
 Bolt, Tube [Pvc], M6 X 1 X 15, 5-3
 Boot, Switch, Binary, A/C, 4-19
 Boot, 90deg .50d .57d X .84, 2-63
 Boot, Cable, Battery, Black, 2-89, 2-91
 Boot, Cable, Battery, Red, 2-89, 2-91
 Boot, Switch, 2-25
 Boot, Switch, Ignition, 2-25
 Bracket, 2-13
 Bracket Assy, Lpg Tank, W/ Label, 2-79, 2-81
 Bracket Wldt, A/C And Alternator, 3-47
 Bracket Wldt, Alternator, Lower [Gm1.6l], 2-63
 Bracket Wldt, Backup, 3-21
 Bracket Wldt, Brush Adj, 2-129
 Bracket Wldt, Controller [Gas/LPG], 2-39, 2-45, 2-47
 Bracket Wldt, Cyl Mtg, 2-129
 Bracket Wldt, Hppr, [6600/6650xp], 2-119
 Bracket Wldt, Latch, 2-19
 Bracket Wldt, Mtg, Air-Clnr, Gas/Lpg, 2-57, 2-59, 2-61
 Bracket Wldt, Mtg, Eng, Gas / Lpg, 2-31, 2-33, 2-35, 2-37
 Bracket Wldt, Mtg, Light, 3-17, 3-19
 Bracket Wldt, Mtg, Motor, 3-69
 Bracket Wldt, Mtg, Regulator, Lpg, 2-53
 Bracket Wldt, Mtg, Steering, 2-23
 Bracket Wldt, Ntch Steering, 2-23
 Bracket Wldt, Side, Lh, Sba, Aux, 3-75
 Bracket Wldt, Side, Rh, Sba, Aux, 3-75
 Bracket Wldt, Sppt, Blower, 3-55, 3-57
 Bracket Wldt, Valve, 2-23
 Bracket Wldt, Wand, 3-61, 3-63
 Bracket, Adj, Brush, Side, Lh, 3-67
 Bracket, Adj, Brush, Side, Rh, 2-127
 Bracket, Alarm, Backup, 3-23, 3-29
 Bracket, Alternator, 2-65
 Bracket, Anchor, Strap, Alternator, 2-63, 2-65
 Bracket, Angle, .12 2.75 3.17 01.0l, 2-9, 2-11
 Bracket, Angle, Keeper, Cable, 2-97, 2-99, 2-127, 3-67

CROSS REFERENCE

- Bracket, Angle, Mtg, Valve, Relief, 2-79, 2-81
Bracket, Armrest, 3-31
Bracket, Brush, Stop Adj, 2-129
Bracket, Cable, 3-71
Bracket, Cable, Spring, 2-113
Bracket, Cooler, Hyd, 2-143
Bracket, Cyl, 2-109, 2-111
Bracket, Deflector, Cover, Eng, 3-51, 3-59
Bracket, Door, 2-21
Bracket, Flap, Recirculation, 2-7
Bracket, Fltr, Fuel, 2-73
Bracket, Fltr, Lpg [6600], 2-47
Bracket, Grill [6600/6650], 2-15, 2-17
Bracket, Hanger, Muffler, 2-69, 2-71
Bracket, Hood, Lh, 2-113
Bracket, Hood, Rh, 2-113
Bracket, Hppr, 2-107
Bracket, Latch, 2-85
Bracket, Latch, Bolt, 3-31
Bracket, Latch, Cover, Eng, 2-19
Bracket, Latch, Door, 2-21
Bracket, Latch, Eng Cover, 3-51, 3-59
Bracket, Latch, Grill, Lpg, 2-17
Bracket, Light, Rotating, 3-9, 3-11
Bracket, Light, Sbdc, 3-3
Bracket, Mirror, Side Brush, 3-65
Bracket, Motor, Side Brush, Lh, [6550], 3-65
Bracket, Mtg [Ecm 6600], 2-49
Bracket, Mtg [Ecm 6650], 2-41
Bracket, Mtg, Cyl, 2-127, 3-67
Bracket, Mtg, Drier, A/C, 4-19
Bracket, Mtg, Filter, Fuel, 2-75, 2-77
Bracket, Mtg, Flasher, 3-3, 3-21, 3-23
Bracket, Mtg, Hinge, Brush Door, Lh, 2-11
Bracket, Mtg, Hinge, Brush Door, Rh, 2-9
Bracket, Mtg, Hose, Vacuum, 3-63
Bracket, Mtg, Hyd, 2-141, 2-143
Bracket, Mtg, Latch, 2-17
Bracket, Mtg, Lever, Lh, 3-67
Bracket, Mtg, Lever, Rh, 2-127
Bracket, Mtg, Lh, 2-131
Bracket, Mtg, Light, Ohg, 3-5, 3-7
Bracket, Mtg, Lpg, 2-79, 2-81
Bracket, Mtg, Mirror, Rearview, 3-25, 3-29
Bracket, Mtg, Motor, 2-133
Bracket, Mtg, Motor, Side Brush, 2-125
Bracket, Mtg, Rh, 2-131
Bracket, Mtg, Shield, 2-67, 2-69, 2-71
Bracket, Mtg, Stop, Door, 2-17
Bracket, Mtg, Tube, Blower Wand, 3-55, 3-57
Bracket, Mtg, Valve, 2-147
Bracket, Mtg, Wand, 3-61
Bracket, Propel, Gas / Lpg, 2-103
Bracket, Reg [1.6l], 2-49
Bracket, Relay, Box, 2-41, 2-50
Bracket, Retainer, Safety, 2-101
Bracket, Retaining, Wire, Sparkplug, 5-12
Bracket, Sbdc, 3-77
Bracket, Screen, Oil Pump, 5-7
Bracket, Sensor, Position, Cshft, 5-7
Bracket, Sidebrush, Aux, 3-69
Bracket, Speed Limiter, 2-101
Bracket, Sppt, Control Rod, 2-101
Bracket, Spring, Side Brush, 2-125, 3-65
Bracket, Spring, Side Brush (6650 XP Only), 2-125
Bracket, Stop, 2-143
Bracket, Stop Bolt, Rear Grill, 2-17
Bracket, Switch, 3-3
Bracket, Tank, Coolant Recvy, 2-87, 2-88
Bracket, Tie-Down, 3-88
Bracket, U, 2-77
Bracket, U, .12 1.2w 2.30h 1.0l, 2-127, 3-67
Bracket, U, .18 2.7 0.9 1.0l 1/0.4h, 3-71
Bracket, U, .18 2.8 0.9 1.0l 1/0.3h, 2-131, 3-69
Bracket, Wand, 3-61
Bracket, Wand, Vacuum, 3-63
Bracket, Weight, Counter (6650XS Only), 2-91
Brake Assy, Drum, Mech, 07.9d, 2-97
Breather, Hyd, 20mic 05psi .75-16, 2-139
Brush, Disk, Swp, 23.0 D, Flat Wire (Aux. Side Brush Option), 2-5
Brush, Disk, Swp, 23.0 D, Nylon (Aux. Side Brush Option), 2-5
Brush, Disk, Swp, 23.0 D, Polypropylene (Aux. Side Brush Option), 2-5
Brush, Disk, Swp, 26.0 D, Flat Wire, 2-5
Brush, Disk, Swp, 26.0 D, Nylon, 2-5
Brush, Disk, Swp, 26.0 D, Polypropylene, 2-5
Brush, Swp, 45l, 24 Single Row, Natural Fiber & Wire, 2-5
Brush, Swp, 45l, 24 Single Row, Nylon, 2-5
Brush, Swp, 45l, 5 Double Row, Patrol, Nylon, 2-5
Brush, Swp, 45l, 8 Double Row, Nylon, 2-5
Brush, Swp, 45l, 8 Double Row, Polypropylene, 2-5
Brush, Swp, 45l, 8 Double Row, Polypropylene & Wire, 2-5
Brush, Swp, 45l, 8 Double Row, Wire, 2-5
Brush, Swp, 45l, Sand Wedge, Polypropylene, 2-5
Brush, Swp, 45l, Window, Polypropylene, 2-5
Bumper Wldt, Cab Door, 3-31
Bumper Wldt, Front, 2-115, 2-117, 3-71
Bumper, Arm, Safety, 2-123
Bumper, Brush, Side, 3-71
Bumper, Rbr, 0.5d 0.16t M5 X 08, 2-103
Bumper, Rbr, 1.0d 0.38t .25-20, 2-19
Bumper, Wand, Vacuum, 3-61, 3-63
Bushing, Flng, 0.32b 0.75d 0.14l, 3-33
Bushing, Flng, 0.44b 1.25d 0.25l, 2-129
Bushing, Flng, 0.50b 0.62d 0.40l, 3-77
Bushing, Flng, 0.63b 0.72d 0.25l, 2-101
Bushing, Flng, 1.00b 1.13d 1.00l, 3-71
Bushing, Flng, 1.50b 1.65d 1.00l, 3-71
Bushing, M6-1.50 X .25-27npt, 2-41, 2-49
Bushing, Sleeve, 1.25b 1.40d 1.00l, Fgl, 2-123
Bushing, Sleeve, 1.50b 1.66d 1.75l Tef, 3-71
Bushing, Snap In, 0.38b 0.31d .14t Nyl, 3-55, 3-57
Button, Plug, 0.38h .03-.12 [Black Nyl], 2-7, 2-27
Button, Plug, 0.38h .03-.12 [White Nyl], 2-87, 2-88
Button, Plug, 0.44h .03-.12 [Black Nyl], 2-27
Button, Plug, 0.62h .03-.12 [Black Nyl], 2-7, 3-33
Button, Plug, 0.62h .03-.12 [Blk Nyl], 3-37
Button, Plug, 1.00h .00-.17 [Black Nyl], 2-27, 3-29
Button, Plug, Switch, 1.45 X 0.83 Hole, 2-13, 3-33

C

- Cab, 3-29
Cable Assy, Push-Pull, 3-39, 3-41, 3-43, 3-45
Cable, .06d, 05.8l, .26eye / .26eye, 3-31
Cable, .06d, 12.0l, .26eye / .26eye, 2-13, 3-31
Cable, .09d, 42.0l, .4clevis/.4clevis, 2-113
Cable, .13d, 10.6l, .2clevis/.2clevis, 3-71
Cable, .13d, 14.9l, .41eye / M10x1.5, 2-127, 3-67
Cable, .13d, 20.0l, .32eye / .32eye, 3-69
Cable, .19d, 20.0l, .4clevis/.4clevis, 2-99
Cable, .19d, 105.8l, .4clevis/.4clevis, 2-97
Cable, Battery, Neg 2ga 60.0l .41 Hole, 2-89
Cable, Battery, Neg 2ga 72.0l .41 Hole, 2-91
Cable, Battery, Pos 2ga 66.0l .41 Hole, 2-89
Cable, Battery, Pos 2ga 84.0l .41h, 2-91
Cable, Lift, Main Brush, 2-129
Cam, 4-3
Cam, Centering, Pintle, 2-103
Camshaft, 5-11
Cap, Breather, Hyd, 2.2 Ds, 2-2, 2-3, 2-139
Cap, End, Motor, Hyd, 4-9
Cap, End, Valve, Strg, 4-13
Cap, Filler, Oil, W/ Org, 5-3
Cap, Fuel, Tank, 2-77
Cap, Hub, Dust 2.57d 0.77l, 2-97
Cap, Radiator, 14psi [Stant], 2-83, 2-85
Cap, Screw, Strg Valve, 4-8
Cap, Spring, Valve, 5-3
Cap, Tank, Fuel, 2.3neck 2.6d, 2-73, 2-75
Cap, Tube, 2-23
Cap, Valve, Tire, Tubeless, 2-95
Cap, Valve, Tire, Tubeless, [Schrader], 3-82

Cap, Vinyl, 3.28d 0.45l, 2-131
 Cart, Check Vlv, 4-17
 Cart, Plt. Cntrl, 4-17
 Cart, PSI Cntrl, 4-17
 Cart, Sol. Cntrl, 4-17
 Carton, Rsc Kit, 4.5 X 4.5 X 45.0, 2-2
 Chain, Coil, Str, 210, 06.9l 05 Link, 2-7
 Channel Wldt, Sppt, 3-71
 Channel, Mtg, Radiator, 2-85
 Channel, Post, Corner, 2-15
 Channel, Retainer, Seal, Rear, 2-7
 Channel, Vent, Heater, 3-37
 Circuitboard Kit, Replmt [6650], 2-25
 Circuitbreaker, 20.0a, Resetable, 3-52
 Clamp Wldt, Tube, Blower Wand, 3-55, 3-57
 Clamp, Cable, Ss, 2.50d X 1.00w, 1h, 2-93
 Clamp, Cable, Stl, 0.38d X 0.38w, 1h, 2-119, 2-121, 3-3
 Clamp, Cable, Stl, 0.38d X 0.62w, 1h, 2-73, 2-77
 Clamp, Cable, Stl, 0.44d X 0.62w, 1h, 2-77, 3-3
 Clamp, Cable, Stl, 0.56d X 0.38w, 1h, 2-79, 2-81
 Clamp, Cable, Stl, 0.56d X 0.38w, 1hole, 2-75
 Clamp, Cable, Stl, 0.63d X 0.50w, 1h, 2-7
 Clamp, Cable, Stl, 0.69d X 0.62w, 1h, 2-79, 2-81
 Clamp, Cable, Stl, 0.6x1.2x0.75w, 1h, 2-119, 3-67
 Clamp, Cable, Stl, 0.9x1.8x0.62w, 1h, 3-65, 3-67
 Clamp, Cable, Stl, 1.00d X 0.62w, 1h, 2-27, 2-89, 2-91, 2-143, 3-39, 3-41, 3-43, 3-45
 Clamp, Cable, Stl, 1.25d X 1.00w, 1h, 2-43
 Clamp, Cable, Stl, 1.25DX1.00W, 1H, 2-41
 Clamp, Cable, Stl, 1.50d X 1.00w, 1h, 2-115, 2-117, 2-125, 2-139, 2-141
 Clamp, Cable, Stl, 1.75d X 1.00w, 1h, 2-73
 Clamp, Cable, Stl, 2.00d X 0.75w, 1h, 2-75, 2-77
 Clamp, Cable, Stl, 2.25d X 1.00w, 1h, 2-73
 Clamp, Hose, 1.0, 2-41, 2-53
 Clamp, Hose, 1.75 [Pcv], 5-3
 Clamp, Hose, Spring, 0.62D, 2-53
 Clamp, Hose, Spring, 0.75D, 2-53
 Clamp, Hose, Wormdrive, 0.25-0.62d, 2-41, 2-43, 2-50, 2-73, 2-75, 2-77, 2-87, 2-88
 Clamp, Hose, Wormdrive, 0.25-0.62d, .31w, 2-54
 Clamp, Hose, Wormdrive, 0.31-0.88d, 2-39, 2-45, 2-47

Clamp, Hose, Wormdrive, 0.56-1.06d, 2-39, 2-41, 2-43, 2-45, 2-47, 2-50, 2-59, 2-61, 3-39, 3-41, 3-43, 3-45
 Clamp, Hose, Wormdrive, 0.56-1.06d, .56w, 2-53
 Clamp, Hose, Wormdrive, 0.81-1.50d, .56w, 2-47
 Clamp, Hose, Wormdrive, 1.06-2.00d, 2-83, 2-85
 Clamp, Hose, Wormdrive, 1.31-3.25d, 4-19
 Clamp, Hose, Wormdrive, 1.56-2.50d, 2-83, 2-85, 3-39, 3-43
 Clamp, Hose, Wormdrive, 1.62-3.50d, 3-55, 3-57
 Clamp, Hose, Wormdrive, 1.81-2.75d, 2-57, 2-59, 2-61
 Clamp, Hose, Wormdrive, 3.56-4.50d, 2-119, 2-121, 3-55, 3-57, 3-61, 3-63
 Clamp, Mtg, Filter, Air, 2-57, 2-59, 2-61
 Clamp, Muffler, 1.62d, 2-67, 2-69
 Clamp, Spring, 1.50, 2-39, 2-45, 2-47, 2-59, 2-61
 Clamp, Valve, Trim [Impco], 2-50
 Clevis Wldt, Adj, .50pin 0.50-20, PI, 2-97
 Clevis, Adj, 0.38pin, 0.50 - 20, 2-97
 Clevis, Adj, 0.38pin, M10x1.5, 2-127, 2-129, 3-67
 Clevis, Adj, 1.12pin, 1.00-14, 2-17
 Clip, [Pine-Tree], .236h, Plstc, 2-27
 Clip, [Pine-Tree], .250h, Plstc, 2-125
 Clip, Safety, Gasspring, 2-113, 3-51, 3-59, 3-69
 Coil, 12V Sol, 4-17
 Coil, Condenser, A/C, 4-19
 Coil, Evaporator, A/C, 4-20
 Coil, Ignition, 5-12
 Column, Steering #4 08.0l 0.81d 36tooth, 2-23
 Compressor, A/C, 6v Pully [134][Tm-08hd], 3-49
 Compressor, A/C, W/6v Pulley, 3-47
 Condenser Assy, A/C, W /Fan, 4-19
 Condenser Assy, A/C, W /Fan [R134] (See Breakdowns), 3-43, 3-45
 Connector, Fuel, E90, Qf, 2-77
 Connector, Fuel, Qf, 2-75
 Control, Electronic, Gas, 4-27
 Control, Electronic, Lpg, 4-23
 Controlbox Kit, Replmt, 2-47
 Converter, Lpg, 2-49
 Cooler, Hyd, 25gpm 325btu Of12 13x12x2, 2-141, 2-143
 Core, Heater, 4-20, 4-21
 Coupling, Drive, 13t, 2-31, 2-33, 2-35, 2-37
 Cover Wldt, Brush, Sbdc, 3-77
 Cover Wldt, Roof, Cab, Front, 3-33
 Cover Wldt, Sppt, Seat, 2-13
 Cover, Battery, 06.9w 12.0l, 2-91
 Cover, Belt, Timing, Front, 5-11

Cover, Belt, Timing, Upper Front, 5-11
 Cover, Column, Steering, 2-23
 Cover, End, 4-3
 Cover, Eng, Plstc, [6600/6650], 2-19
 Cover, Fltr, A/C [6600], 4-20, 4-21
 Cover, Fuseholder, 2-29
 Cover, Hopper, 6500, 2-113
 Cover, Hose, 2-53
 Cover, Hsng, Blower [6600], 4-20, 4-21
 Cover, Hsng, Camshaft, 5-3, 5-11
 Cover, Hsng, Flywheel, 2-31, 2-33, 2-35, 2-37
 Cover, Pump, Oil, 5-7
 Cover, Seal, Rocker Switch, 3-33, 3-52, 3-69
 Crankshaft, 5-5
 Cylinder, Hyd, 1.5b,07.8l,02.80strk,2500, 2-127, 3-67
 Cylinder, Hyd, 2.0b,08.0l,04.00strk,2500, 2-109, 2-111, 2-129
 Cylinder, Hyd, 2.0b,15.0l,08.00strk,1500, 2-93, 4-15
 Cylinder, Hyd, 2.0b,15.0l,08.00strk,1500 (See Breakdowns), 2-93
 Cylinder, Hyd, 2.5b,28.4l,15.00strk,2500, 2-123, 4-14
 Cylinder, Hyd, 2.5b,28.4l,15.00strk,2500 (See Breakdowns) (Replaced by 9001862), 2-123

D

Deflector, Air, 2-141
 Diffuser, Air, 3-37
 Diode, Ele, Plug, 2-179
 Dipstick, Oil, 5-8
 Disc, .06 4.39d 1.67b 4/.30h 3.8bc, 2-131
 Disc, .08 4.39d 2.56b 4/.28h 3.8bc, 2-131
 Door Wldt, Brush, Lh, 2-11
 Door Wldt, Brush, Rh, 2-9
 Door Wldt, Cab, 3-31
 Door Wldt, Dump, 2-109, 2-111
 Door Wldt, Eng, Side, 2-21
 Door Wldt, Eng, Top, 3-51
 Door Wldt, Eng, Top, Blower Wand, 3-59
 Door, Vacuum, W/Label [6600/6650], 3-61, 3-63
 Drier, A/C, 4-19
 Drive, 4-10
 Drive, Motor, Hyd, 4-7, 4-8, 4-9
 Drive, Valve, Strg, 4-13
 Driveshaft, Pump, Hyd, 4-3
 Duct Assy, Vacfan, W/ Seal, 2-133
 Duct Wldt, Transition, Vacfan, 2-133
 Duct, Air Pkg, 3-37
 Duct, Blower Wand, 3-55, 3-57
 Duct, Transition, Windowside, 3-37
 Duct, Upright, Windowside, 23.8l, 3-37
 Duct, Vyl, 0.40 X 0.75 .25d 03.5l, 3-5, 3-7, 3-9, 3-11
 Duct, Vyl, 0.40 X 0.75 .25d 10.0l, 2-119, 3-5, 3-7

CROSS REFERENCE

Duct, Vyl, 0.40 X 0.75 .25d 26.0l, 3-5,
3-7, 3-13, 3-15
Duct, Vyl, 0.40 X 0.75 .25d Max 48.0l,
3-17, 3-19
Duct, Vyl, 0.74 X 1.50 .75d Max 24.0l,
3-29

E

Element, Fltr, Air, 2-2, 2-3, 2-57, 2-59,
2-61
Element, Fltr, Air, Safety, 2-2, 2-3, 2-57,
2-59, 2-61
Element, Fltr, Fuel, Lpg [Coalescent], 2-47
Element, Fltr, Oil, Eng, Spin-On, 5-8
Element, Fltr, Oil, Eng, Spin-On [Gm],
2-3
Element, Fltr, Oil, Hyd, 2-2, 2-3, 2-141,
2-143
Element, Fltr, Oil, Spin-On, 2-3
End Cap, 4-10
End Cap, Motor, Hyd, 4-8
Engine [Long Block Gm 1.6l] (See Engine
Breakdown), 2-33, 2-37
Engine Assy, Gas [Gm, 1.6l] (See Engine
Breakdown), 2-31
Engine Assy, Lpg [Gm, 1.6l] (See Engine
Breakdown), 2-35
Extinguisher, Fire, 3-79

F

Fan, Condencer, 12vdc, A/C, 4-19
Fan, Cooling, 14.3d, 6 Blade, 0.5b Taper,
2-65
Fan, Pusher, 14.17d, Rwk, 2-63, 2-65
Fastener, [Hook & Loop], 03.25l, 3-35
Fastener, [Hook & Loop], 05.19l, 3-35
Fastener, [Hook & Loop], 09.75l, 3-35
Fastener, [Hook & Loop], 11.00l, 3-35
Fastener, [Hook & Loop], 12.00l, 3-35
Fastener, [Hook & Loop], 15.00l, 3-35
Fastener, [Hook & Loop], 16.50l, 3-35
Fastener, [Hook & Loop], 45.00l, 3-35
Filter Kit, Lock Off, Lpg, 2-50, 2-53
Filter Kit, Panl, Syn, Replmt, 2-119
Filter Pkg Kit, 098plts, Ci, 2-119, 2-121
Filter, Air, A/C, 4-20, 4-21
Filter, Assy, Air, 2-57, 2-59, 2-61
Filter, Fuel, 2-73
Filter, Fuel [Gm 1.6l/3.0l], 2-3
Filter, Fuel, Gas, 2-2
Filter, Fuel, Lpg [Coalescent], 2-47
Filter, Fuelock, [Ballwin#4-2384b], 2-79
Filter, Hyd 10mic 30gpm 150, 2-141,
2-143
Filter, Lpg, 2-50
Filter, Oil, 2-2, 2-31, 2-33, 2-35, 2-37
Fitting Kit [Epr], 2-53
Fitting, Adapter, Orifice, Pm06pf06, 2-41,
2-43

Fitting, Adaptor, 37f Swivel, M12-1.5,
2-39, 2-45, 2-47
Fitting, Brs, Breather 02mp, 2-119, 2-121
Fitting, Brs, E45, Pf02/Pm02, 2-33, 2-37
Fitting, Brs, E90, lf05/Pm02, 2-73
Fitting, Brs, E90, lf05/Pm04, 4-27, 4-29
Fitting, Brs, E90, Pm04/Pf04, 2-79, 2-81
Fitting, Brs, E90, Em05/Pm04, 2-77
Fitting, Brs, E90, Em06/Pm04, 2-45, 2-47,
4-23, 4-25, 4-27, 4-29
Fitting, Brs, E90, Em10/Pm06, 2-41, 2-43,
2-49, 2-53
Fitting, Brs, E90, lf05/Pm04, 2-75
Fitting, Brs, Plug, 02pm, 5-9
Fitting, Brs, Qdc, Pf04 Lpg Fem, 2-79,
2-81
Fitting, Brs, Rst, Pf04/.69-16f, .063, 2-47
Fitting, Brs, Str, Bm03/Pm02, 2-119,
2-121
Fitting, Brs, Str, lf05/lf05, 2-73
Fitting, Brs, Str, lf05/Pm02, 2-73
Fitting, Brs, Str, lf05/Pm04, 2-73
Fitting, Brs, Str, Pf04/Pf04 Bkhd, 2-79,
2-81
Fitting, Brs, Str, Pm04/Pf04, 2-79, 2-81
Fitting, Brs, Str, Bm06/Pm04, 2-39, 2-45,
2-47
Fitting, Brs, Str, lf05/lf05, 2-75, 2-77
Fitting, Brs, Str, Pf04/Pm02, 2-53
Fitting, Brs, Str, Pm02/Pf04, 2-41, 2-43,
2-50
Fitting, Cacuum, M16-15-6h, 2-41
Fitting, Cap, 2-49
Fitting, Condenser, Left, A/C, 4-19
Fitting, Coolant Plug, 4-23, 4-25, 4-27,
4-29
Fitting, Draincock, .25npt, 2-85
Fitting, Draincock, .25npt 90, 2-41, 2-43,
2-47, 2-50, 2-83
Fitting, Draincock, E90, .25npt, 2-54
Fitting, E70, 2-49
Fitting, E90, 2-49, 2-53
Fitting, E90, M14 X .56, 2-33, 2-37
Fitting, Elb, Sf06/Fm06, 2-31, 2-35
Fitting, Fltr, Oil, 5-8
Fitting, Fuel, Str, 3/8-24 [07 Eng], 2-77
Fitting, Fuel, Str, 9/16-18 [07 Eng], 2-77
Fitting, Grease, Str Pm04 .63l, 2-93,
2-109, 2-111
Fitting, Hose, 2-39, 2-45, 2-47
Fitting, Hose End, 2-31, 2-33, 2-35, 2-37
Fitting, Hose, Vacuum, .25, 2-49
Fitting, Hyd, E45, Jf08/Jm08, 2-47
Fitting, Hyd, E45, Jm04/Om06, 2-93
Fitting, Hyd, E45, Jm04/Pm08, 2-47
Fitting, Hyd, E45, Jm20/Om20, 2-145
Fitting, Hyd, E45, Pm04/Pf04, 2-79, 2-81
Fitting, Hyd, E90, 2-45
Fitting, Hyd, E90, Jm04/Jf04, 2-109, 2-111
Fitting, Hyd, E90, Jm04/Om04, 2-109,
2-111, 2-123, 2-127, 2-129, 2-147,
3-67
Fitting, Hyd, E90, Jm04om04l, 2-147

Fitting, Hyd, E90, Jm06/Jf06, 2-125, 3-65
Fitting, Hyd, E90, Jm06/Jm06 Bkhd, 3-65,
3-69
Fitting, Hyd, E90, Jm06/Om04, 2-123
Fitting, Hyd, E90, Jm06/Om06, 2-23,
2-93, 2-147
Fitting, Hyd, E90, Jm06/Om08, 2-145,
2-147
Fitting, Hyd, E90, Jm06om06l, 2-23
Fitting, Hyd, E90, Jm08/Om08, 2-133,
2-145, 2-147
Fitting, Hyd, E90, Jm08/Om08[2.48l],
2-147
Fitting, Hyd, E90, Jm08/Om10, 2-139
Fitting, Hyd, E90, Jm08/Pm04, 2-47
Fitting, Hyd, E90, Jm10/Om12, 2-145
Fitting, Hyd, E90, Jm12/Jf12, 2-133
Fitting, Hyd, E90, Jm12/Om12, 2-141,
2-143
Fitting, Hyd, E90, Pm02/Jm04, 2-141,
2-143
Fitting, Hyd, E90, Spcl, 2-53
Fitting, Hyd, Nut, Jm12, 2-141, 2-143
Fitting, Hyd, Plug, Jm08, 2-139
Fitting, Hyd, Rst, Jm04/.047, 2-123
Fitting, Hyd, Str, Jm04/Om04, 2-109,
2-111, 2-129, 2-147
Fitting, Hyd, Str, Jm04/Om06, 2-93
Fitting, Hyd, Str, Jm06/Jm06 Bkhd, 2-125
Fitting, Hyd, Str, Jm06/Om04, 2-123,
2-133
Fitting, Hyd, Str, Jm06/Om06, 2-147
Fitting, Hyd, Str, Jm06/Om08, 2-131,
2-147
Fitting, Hyd, Str, Jm06/Om10, 2-125,
2-145, 3-65, 3-69
Fitting, Hyd, Str, Jm08/Jf12, 2-133, 2-139
Fitting, Hyd, Str, Jm08/Om08, 2-131
Fitting, Hyd, Str, Jm08/Om10, 2-145
Fitting, Hyd, Str, Jm10/Om12, 2-93, 2-145
Fitting, Hyd, Str, Jm12/Om08, 2-133
Fitting, Hyd, Str, Jm12/Om12, 2-143
Fitting, Hyd, Str, Jm12/Om20, 2-141,
2-143
Fitting, Hyd, Str, Jm20/Om20, 2-139
Fitting, Hyd, Str, Metric, Om14/Jm06,
2-31, 2-35
Fitting, Hyd, Str, Om04/Qm04, 2-147
Fitting, Hyd, Tee, Jm04/Jm04/Om04, 3-67
Fitting, Hyd, Tee, Jm06/Jf06/Jm06, 2-133,
2-147
Fitting, Hyd, Tee, Jm06/Jm06/Om06,
2-139
Fitting, Hyd, Tee, Jm08/Jf08/Jm08, 2-147
Fitting, Hyd, Tee, Jm12/Jm12/Jf12, 2-133
Fitting, Hyd, Tee, Jm12/Jm12/Om12,
2-139
Fitting, Hyd, Tee, Pm04/Pf04/Pf04, 2-79,
2-81
Fitting, Nipple, .25mal, 2-53
Fitting, Nipple, .25npt, Brs, 2-49
Fitting, Pipe, Bshg, M18 X 1.5, 2-33, 2-37

Fitting, Pipe, E45, Pm04/Pf04, [Swivel], 2-79, 2-81
 Fitting, Pipe, E90, Pm04/Pf04, Nptf, 2-39, 2-45, 2-47
 Fitting, Pipe, Plug, 2-31, 2-33, 2-35, 2-37
 Fitting, Pipe, Plug, Metric, M18, Soc, 2-31, 2-33, 2-35, 2-37
 Fitting, Pipe, Plug, Pm02 Soc Head, 2-39, 2-45, 2-47
 Fitting, Pipe, Plug, Pm02 Sq Head, 2-73, 2-75, 2-77
 Fitting, Pipe, Plug, Pm16 Hex Soc, 5-9
 Fitting, Pipe, Str, Metric, Pm14/Pf04, 2-31, 2-35
 Fitting, Pipe, Str, Pm04/Pf02, 2-31, 2-35, 2-79, 2-81
 Fitting, Pipe, Str, Pm04/Sf04, 2-81
 Fitting, Pipe, Str, Sf04/Pm04, 2-79
 Fitting, Plstc, Str, Bm10/Bm10, 2-59, 2-61
 Fitting, Plstc, Tee, Bm06/Pf04/Bm06 Nyl, 2-47
 Fitting, Plug, M16, Intake Manifold, 2-43, 2-53
 Fitting, Plug, O-Ring, 4-3
 Fitting, Plug, O-Ring, #2, Valve, 4-17
 Fitting, Plug, O-Ring, #4, 4-8, 4-17
 Fitting, Plug, O-Ring, #6, Valve, 4-17
 Fitting, Plug, O-Ring, Motor, Hyd, 4-8
 Fitting, Str, 2-49
 Fitting, Str, .12mpt X .19brb, 2-41
 Fitting, Str, E90, .25npt, 2-49
 Fitting, Vacuum [M16-15-6h], 2-53
 Fitting, Vacuum, M16-15-6h, 2-43
 Fitting, Valve, Schrader, A/C, 4-19
 Fitting, Plstc, Str, Bm06/M.69-16, 2-47
 Flange, Brg, 1.9id 2h, 2-131
 Flange, Motor, Hyd, 4-8, 4-9
 Flange, Mounting, 4-10
 Flange, Mtg, Tailpipe, [Gas/Lpg], 2-67, 2-69, 2-71
 Flange, Ring, 3-61, 3-63
 Flap, Tire/Tube, 570/500-8, 2-95, 3-82
 Flap, Vac Wand, 3-61, 3-63
 Flasher, 12vdc, [Hd#552ps83], 3-21, 3-23
 Flasher, Hd, 12vdc 25a, [#10-57300], 3-3
 Flywheel, 5-5
 Frame Wldt, Main [6600/6650], 2-7
 Frame Wldt, Sppt, Spring, 3-71
 Ftg, Brs, Pm10/Bm, 3-39, 3-43
 Fuel, Fltr [Gm 1.6l/3.0l], 2-75, 2-77
 Fuelline, .31d Str/E90, Plstc, 2-75, 2-77
 Fuelline, .31d Str/Str, Plstc, 2-75, 2-77
 Fuelline, .31d 05if/05if Stl, 2-73
 Fuelline, .31d 05if/05if Stl, 2-75
 Fuelline, .31d 05if/Bea Stl, 2-73
 Fuelline, .31d 05if/Bea Stl, 2-73
 Fuelline, .31d 05if/Qm Stl, 2-75
 Fuelline, .31d 05if/Qm Stl[6600/6650 07], 2-77
 Fuelline, .31d Str/Str, Plstc [6600 07], 2-77
 Fuelline, .31d Str/Str, Plstc [8200], 2-77
 Fuse Block, 2-29
 Fuse, 10 Amp, 2-179

Fuse, 15 Amp, 2-29, 3-33
 Fuse, 15 Amp, [Min-15], 2-179
 Fuse, 20 Amp, [Min-20], 2-179
 Fuse, 30 Amp, 2-29
 Fuse, 5 Amp, [Min-5], 2-179
 Fuse, 50amp, 2-179
 Fuse, 60 Amp, 2-179

G

Gasket, 3-3
 Gasket Kit, Repair, Gas [Gm1.6l 2007], 2-43
 Gasket Kit, Repair, Lpg [Gm1.6l 2007], 2-54
 Gasket, Adaptor, 2-49
 Gasket, Adaptor, Manifold, 5-9
 Gasket, Body, Throttle [1.6l], 2-41, 2-43
 Gasket, Cover, Hsng, Camshaft, 5-3
 Gasket, Door, 3-61, 3-63
 Gasket, Exhaust, 2 Hole, 3.4bc, 2-69, 2-71, 3-87
 Gasket, Flange, 3-61, 3-63
 Gasket, Flgn, Pipe, Exhaust, 2-67, 2-69, 2-71
 Gasket, Head, Cyl, 5-3
 Gasket, Manifold, Exhaust, 5-9
 Gasket, Manifold, Intake, 2-41, 2-43, 2-49, 5-9
 Gasket, Pan, Oil, 5-8
 Gasket, Plug, Relief Valve, Oil Press, 2-33, 2-37, 5-7
 Gasket, Pump, Oil, 5-7
 Gasket, Sender, Fuel, 2-77
 Gasket, Sender, Fuel, 2.7d 1.5b 5/ 2.1bc, 2-73, 2-75
 Gasket, Switch, Fire, 2-119, 2-121
 Gasket, Tube, 3-61
 Gasket, Tube [Pcv], 5-3
 Gasspring Assy, Eng Cover, 3-51, 3-59
 Gasspring, 120lb, 6.3strk, 3-69
 Gasspring, 120lb, 7.1strk, 2-113
 Gasspring, 130lb, 6.2strk, 2-19
 Gear Assy, Idler, Pump, Hyd, 4-5
 Gear, Drive, Oil Pump, 5-7
 Gear, Drive, Pump, Hyd, 4-5
 Gear, Ring, Drive, Oil Pump, 5-7
 Geroler, Motor, Hyd, 4-7
 Gerotor Set, 4-10
 Gerotor Set, Motor, Hyd, 4-8, 4-9
 Gerotor, Pump, Hyd, 4-3
 Gerotor, Valve, Strg, 4-13
 Glass, Sight, A/C, 4-19
 Grill, Door, Lh, 2-17
 Grille, Door, Lpg, 2-15
 Grille, Filler, Door, Rh (Gas Only), 2-15
 Grip, Vyl, 2-127, 3-67
 Grommet, Rbr, 0.19id, F/ 0.3h, .19matl, 2-41, 2-49
 Grommet, Rbr, 0.38id, F/ 0.5H, .12Matl, 3-23, 3-29, 3-33
 Grommet, Rbr, 0.50id, F/ 0.8h, .19matl, 2-83, 2-85

Grommet, Rbr, 0.62id, F/ 0.9h, .06matl, 2-119, 2-121
 Grommet, Rbr, 0.63id, F/ 0.8h, .12matl, 3-5, 3-7, 3-9, 3-11, 3-13, 3-15, 3-17, 3-19, 3-21
 Grommet, Rbr, 0.69id, F/ 0.1h, .25matl, 3-5, 3-7, 3-9, 3-11, 3-13, 3-15, 3-21, 3-23, 3-52
 Grommet, Rbr, 1.06id, F/ 1.4h, .19matl, 3-71
 Grommet, Rbr, 1.62id, F/ 1.9h, .13matl, 2-23
 Guard Wldt, Brush, 3-69
 Guard Wldt, Light, Revl/Fish, 3-9, 3-11
 Guard Wldt, Ohg, Top, 3-25
 Guard, Belt, Fan, W/Label, 2-83, 2-85
 Guard, Brush, [6400 355], 3-69
 Guard, Brush, [6550], 2-125, 3-65
 Guard, Starter [Gm 1.6l], 2-31
 Guard, String, Motor, Brush, 2-125, 3-65, 3-69

H

Handle, 3-55, 3-57, 3-61, 3-63
 Handle Assy, Latch, Eng Cover, 3-51, 3-59
 Handle, Container, 3-31
 Handle, Door, Paddle, 3-31
 Harness, A/C, Heater [6600/6650], 3-53
 Harness, Adaptor, 2-179
 Harness, Adaptor [6600/6650], 2-179
 Harness, Alarm, Backup, [355], 3-21, 3-23
 Harness, Alarm, Backup, [355l], 3-21, 3-23
 Harness, Brush, Side, Aux, [385], 3-73
 Harness, Brush, Side, Aux, [385d], 3-73
 Harness, Cab, [355l], 3-29
 Harness, Eng [1.6l, Gm, E-cntrl], 2-179
 Harness, Eng, Gas / Lpg [6600/6650], 2-179
 Harness, Heater/Evaporator [6600/6650], 4-20, 4-21
 Harness, Hppr [6600/6650], 2-179
 Harness, Injector, Gas [1.6l, Gm, E-cntrl], 2-179
 Harness, Injector, Lpg [1.6l, Gm, E-cntrl], 2-179
 Harness, Light, Flsh, Revl, [355l], 3-9, 3-11
 Harness, Light, Revl, Ohg, [355l], 3-5, 3-7, 3-13, 3-15, 3-17, 3-19
 Harness, Main [6650], 2-179
 Harness, Manifold, Gas, 2-77
 Harness, Solenoid, Shkr [6600/6650], 2-179
 Harness, Turn Signal, [355l], 3-3
 Harness, Turn Signal, [355L], 3-3
 Harness, Wire, Eng, Gas [Gm 1.6l], 2-179
 Harness, Wire, Eng, Lpg [Gm 1.6l], 2-179
 Head, Cyl, 5-3

CROSS REFERENCE

Headlight, 12vdc, 35watt 2.7a [#4411], 3-3	Hose, Heater, 0.62id 84.0l, 3-39, 3-41, 3-43, 3-45	Hose, Hyd,Suc20, Jf20str /Jf20e45 , 27.0, 2-137
Headlight, 12vdc, 50watt .A [#70744], 2-115, 2-117	Hose, Heater, E90, .62id 9.0 2.0, 2-61	Hose, Hyd,Tc 04, Jf04str /Jf04str , 98.0, 2-137
Heater & A/C Assy [R134], 4-20	Hose, Heater, E90, 0.62id 05.5 2.0, 2-59	Hose, Hyd,Tc 04, Jf04str /Jf04str ,104.0, 2-137
Heater/Pressrzzr Assy, 4-21	Hose, Heater, E90, 0.62id 24.0 4.0 (Gasoline only), 3-41, 3-45	Hose, Hyd,Tc 04, Jf04str /Jf04str ,106.0, 2-137
Hinge Wldt, Door, Cab, Pin, Long, 3-31	Hose, Heater, E90, 0.62id [Gm1.6l 2007], 2-59, 2-61	Hose, Hyd,Tc 04, Jf04str /Jf04str ,114.0, 2-137
Hinge Wldt, Door, Cab, Pin, Short, 3-31	Hose, Hyd, 26.0l, 2-31, 2-33, 2-35, 2-37	Hose, Hyd,Tc 04, Jfstr /Jf04e45 , 66.0, 2-137
Hinge Wldt, Door, Side, 2-21	Hose, Hyd, Ar06, Jf06str / Jf06str, 70.0, 2-137	Hose, Hyd,Tc 06, Jf06str /Jf06e90 , 62.0, 2-137
Hinge Wldt, Pin, .43d, Cover, Eng, Lh, 2-133	Hose, Hyd, Med04, Jf04Str/Jf04E90, 64.0, 3-67	Hose, Hyd,Tc 06, Jf06str /Jf06e90 , 88.0, 3-65
Hinge Wldt, Pin, .43d, Cover, Eng, Rh, 2-133	Hose, Hyd, Med04, Jf04Str/Jf04E90, 76.0, 3-67	Hose, Hyd,Tc 06, Jf06str /Jf06str , 36.0, 2-137
Hinge Wldt, Tube, .38b, Door, Cab, 3-31	Hose, Hyd, Med04, Jf04str/Jf04str, 052.0, 2-137	Hose, Hyd,Tc 06, Jf06str /Jf06str ,126.0, 2-137
Hinge, .25pin .12 2.9w 03.5l 4/0.31slot, 2-113	Hose, Hyd, Med06, Jf06e90/Jf06str, 010.0, 2-137	Hose, Hyd,Tc 10, Jf10str /Jf10e45 , 54.0, 2-137
Hinge, .38pin .11 3.5w 05.6l 4/H&Slot, 2-9, 2-11	Hose, Hyd, med06, Jf06Str/Jf06E90, 30.0, 3-69	Hose, Hyd,Tc 10, Jf10str /Jf10e90l, 67.0, 2-137
Hinge, .40pin 2.2w 2.0l 4/0.21h, 3-61, 3-63	Hose, Hyd, Med08, Jf08str / Jf12e90,34.0, 2-137	Hose, Intake, Mold, 2.0 Id [Epdm 6650], 2-61
Hopper Wldt, 2-107	Hose, Hyd, Tc 06, Jf Str/E90 , 48.0l, 2-137	Hose, Intake, Mold, 2.0 Id [Epdm 7400], 2-59
Hopper, Plstc [6600/6650xp], 2-105	Hose, Hyd, Tc 06, Jf06str/Jf06str, 48.0, 2-137	Hose, Intake, Mold, 2.00id 2.25id [Epdm], 2-57
Horn, 12vdc, Db, 2-7	Hose, Hyd,Low08, Jf08str /Jf08str , 20.0, 2-139	Hose, Intake, Mold, 2.0id, Gas [Epdm 07], 2-59
Hose [Epr To Manifold], 2-53	Hose, Hyd,Med04, Jf04str /Jf04e45 , 52.0, 2-137	Hose, Intake, Mold, 2.0id, Lpg [Epdm 07], 2-61
Hose [Mixer to Epr], 2-53	Hose, Hyd,Med04, Jf04str /Jf04e90 , 64.0, 2-137	Hose, Intake, Mold, E90 E90 2.0id 2.0id, 2-57, 2-59, 2-61
Hose [Pcv], 5-3	Hose, Hyd,Med04, Jf04str /Jf04str , 52.0, 2-137	Hose, Intake,Mold,2.00id [Epdm 07 6600], 2-59, 2-61
Hose Assy, Primary To Secondary, Lpg, 2-45, 2-47	Hose, Hyd,Med06, Jf06str /Jf06e45 , 12.0, 2-137	Hose, Lpg, Med05, Pm04str/Sm04str, 19.0l, 2-79
Hose Assy, W/1cuff, 3.0d, 24l, 3.0/, 3-55, 3-57	Hose, Hyd,Med06, Jf06str /Jf06e90 , 17.0, 2-137	Hose, Lpg, Med05, Pm04str/Sm04str, 35.0l, 2-79, 2-81
Hose Assy, W/1cuff, 4.0d, 87.8l, 4.0/, 3-61, 3-63	Hose, Hyd,Med06, Jf06str /Jf06e90 , 20.0, 2-137	Hose, Lpg, Med05, Pm04str/Sm04str, 38.0l, 2-79
Hose, 0050, 04, Im05str /lf05str , 10.0, 2-73	Hose, Hyd,Med06, Jf06str /Jf06e90 , 46.0, 2-137	Hose, Lpg, Med05, Pm04str/Sm04str, 55.0l, 2-81
Hose, 170mm [Ftv-ptv], 2-49	Hose, Hyd,Med06, Jf06str /Jf06e90 , 48.0, 3-69	Hose, Lpg, Med05, Pm04str/Sm04str, 67.0l, 2-81
Hose, 355mm [Fl-vrp], 2-49	Hose, Hyd,Med06, Jf06str /Jf06e90 , 84.0, 2-137, 3-65	Hose, Lpg, Med08, Jf08str/Jf08str , 35.0, 2-47
Hose, 9.5mm X 290mm [Pcv], 2-43, 2-49, 2-53	Hose, Hyd,Med06, Jf06str /Jf06e90 , 16.0, 2-137	Hose, Lpg, Med08, Jf08str/Jf08str , 37.5, 2-47
Hose, 9.5mm X 450mm [Pcv], 2-41	Hose, Hyd,Med08, Jf08str /Jf08e45 , 26.0, 2-137	Hose, Lpg, Med08, Jf08str/Jf08str, 20.0l, 2-45
Hose, A/C, 08 53.0l E90 E90 [R134], 3-45	Hose, Hyd,Med08, Jf08str /Jf08e90 , 32.0, 2-137	Hose, Mold, .62 To .75, 2-53
Hose, A/C, 10 67.0l Str E90 [R134], 3-45	Hose, Hyd,Med08, Jf08str /Jf08e90 , 37.0, 2-137	Hose, Mold, .62 To .75 (LPG only), 3-41, 3-45
Hose, A/C, Discharge, Reducer, 3-43	Hose, Hyd,Med12, Jf12str /Jf12e90 , 23.0, 2-137	Hose, Molded, 2-49
Hose, A/C, Liq, Reducer, 3-43, 3-45	Hose, Hyd,Med12, Jf12str /Jf12e90 , 60.0, 2-137	Hose, Pvc, Clr, 0.38id 0.56od 22.00l, 2-41, 2-43, 2-50
Hose, A/C, Suc, Reducer, 3-43	Hose, Hyd,Med12, Jf12str /Jf12e90l, 60.0, 2-137	Hose, Pvc, Clr, 0.38id 0.56od 27.00l, 2-47
Hose, Afmkt, Coolant Recvy, 12ft, 2-87, 2-88		Hose, Pvc, Clr, 0.38id 0.56od 022.0l, 2-53
Hose, Balancing, Press, 45mm, 2-49		
Hose, Balancing, Press, 680mm, 2-49		
Hose, Coolant, Mold, 1.25id To 1.62id, 2-83, 2-85		
Hose, Flex, Vacuum, 4.0d 23.0l, 2-119, 2-121		
Hose, Fuel, 0.31id [Evap Emission 07], 2-77		
Hose, Fuel, .19, 2-41		
Hose, Fuel, 0.19id 20.0l, 2-31, 2-35		
Hose, Fuel, 0.31id 02.0l, 2-73		
Hose, Fuel, 0.31id 08.0l, 2-73		
Hose, Fuel, 0.31id 31.0l, 2-73, 2-75		
Hose, Heater, 2-43, 3-39, 3-43		
Hose, Heater, 0.62id 31.0l, 3-39, 3-43		
Hose, Heater, 0.62id 61.0l, 3-39, 3-43		
Hose, Heater, 0.62id 70.0l, 3-41, 3-45		

Hose, Radiator, Mold, .75id X .62id, 2-41
 Hose, Rbr, 3-55, 3-57
 Hose, Rbr, E90 1.25id 1.25id 04.2 3.1, 2-83
 Hose, Rbr, 0.38id 0.62od 12.0l, 2-39, 2-45, 2-47
 Hose, Rbr, 0.38id 0.62od 21.0l, 2-39, 2-45, 2-47
 Hose, Rbr, 1.25id 1.62od 02.2l, 2-83, 2-85
 Hose, Rbr, 2.00id 2.50od 03.0l, 2-61
 Hose, Rbr, 2.00id 2.50od 05.0l, 2-59
 Hose, Rbr, E90 3.00id 3.50id 03.5 3.3, 3-55, 3-57
 Hose, Rbr, E90 1.25id 1.25id 04.2 3.1, 2-85
 Hose, Supply, Gas, .25ld, 2-53
 Hose, Vacuum, 0.16id 60.0l, 2-119, 2-121
 Hose, Vacuum, 4.00id X 53.0l, 3-61, 3-63
 Hose, Valve, Press Trim, 350mm, 2-49
 Hose, Vent, 2-39, 2-45, 2-47, 2-59, 2-61
 Housing, 4-3, 4-10
 Housing Assy, Heater/Ac [6600/6650] (See Breakdowns), 3-43, 3-45
 Housing Assy, Heater/Press. [6600/6650] (See Breakdowns), 3-39, 3-41
 Housing Assy, Throttle, Gas, [W/O Ecu] (See Breakdowns), 2-39
 Housing Assy, Throttle, Gas, [With Ecu], 4-27
 Housing Assy, Throttle, Gas, [With Ecu] (See Breakdowns), 2-39
 Housing Assy, Throttle, Gas, [Without Ecu], 4-29
 Housing Assy, Throttle, Lpg, [W/O Ecu] (See Breakdowns), 2-45, 2-47
 Housing Assy, Throttle, Lpg, [With Ecu], 4-23
 Housing Assy, Throttle, Lpg, [With Ecu] (See Breakdowns), 2-45, 2-47
 Housing Assy, Throttle, Lpg, [Without Ecu], 4-25
 Housing Assy, Vacfan, 09.0d Impeller, 2-133
 Housing, Blower, A/C [6600], 4-20, 4-21
 Housing, Brg, Motor, Hyd, 4-7
 Housing, Brg, Pivot, Door, Dust, 2-109, 2-111
 Housing, Camshaft, 5-3, 5-11
 Housing, Condenser/Fan, A/C, 4-19
 Housing, Headlight, Hppr, 2-117
 Housing, Motor, Hyd, 4-8, 4-9
 Housing, Pump, 2-31, 2-33, 2-35, 2-37
 Housing, Sppt, Drive, Rear, 2-93
 Housing, Throttle, 40mm [Bosch], 2-41, 2-43, 2-49, 2-53
 Housing, Throttle, Gas, 4-27, 4-29
 Housing, Throttle, Lpg, 4-23, 4-25
 Housing, Valve, 4-7
 Hub Assy, Wheel, 5 Bolt 4.50bc Taper B, 2-93

Hub, Drive, Brush, Side, 1.0b 05.50 Bc, 3-69
 Hub, Drive, Brush, Side, 1.0B 8.75 Bc, 2-125, 3-65

I

Impeller, 9.00d X 1.40w X 0.376b, 2-133
 Injector Kit, Fuel, Gas, 2-41
 Injector, Fuel, Gas, W/ Org, [Gm 1.6l], 4-27, 4-29
 Injector, Fuel, Lpg [1.6l Gm] 6600/6650, 4-25
 Injector, Lpg, W/2 O-rings, 4-23
 Innertube, [5.00r-8],[Js2] Valve,[500-8], 2-95, 3-82
 Insert, Plate, Cam, Pump, Hyd, 4-3
 Instr, Kit, Repair, Pump, Hyd, 4-5
 Instr, Repair, Motor, Hyd, Gear, 4-7
 Instr, Repair, Pump, 4-3
 Instr, Seal Kit, Motor, F/74147, 4-11
 Instruction, Repair, Motor, Hyd, 4-9
 Instruction, Repair, Valve, Strg, 4-13
 Insulation, Acstc, 2-13, 2-21, 2-27
 Insulation, Acstc, 0.3 25.5w 25.6l, 3-27
 Insulation, Acstc, 0.5 02.9w 24.3l Cab, 3-27
 Insulation, Acstc, 0.5 03.9w 25.3l Cab, 3-27
 Insulation, Acstc, 0.5 15.5w 33.2l Notch, 2-19
 Insulation, Acstc, 0.5 15.5w 35.6l Notch, 2-19
 Insulation, Acstc, 0.5, 33.3 X 15.5 Cham, 2-19
 Insulation, Acstc, 0.5, 35.6 X 15.5 Cham, 2-19
 Insulation, Acstc, 0.8 23.3w 34.6l Cab, 3-27
 Insulation, Acstc, 0.8 26.0w 36.3l, 3-51, 3-59
 Insulation, Acstc, 1.0 01.5w 06.8l, 2-13, 3-35
 Insulation, Acstc, 1.0 02.0w 04.0l, 2-19, 3-51, 3-59
 Insulation, Acstc, 1.0 02.0w 05.8l, 2-19, 3-51, 3-59
 Insulation, Acstc, 1.0 02.0w 17.5l Adh, 2-27
 Insulation, Acstc, 1.0 03.5w 10.5l Adh, 2-27
 Insulation, Acstc, 1.0 05.0w 05.0l, 2-133
 Insulation, Acstc, 1.0 15.5w 17.5l, 2-27
 Insulation, Acstc, Cover, Eng, Bottom, 3-51, 3-59
 Insulation, Acstc, Cover, Seat, 1.0, 2-13
 Insulation, Acstc, Door, 3-27
 Insulation, Acstc, Firewall, 2-7
 Insulation, Acstc, Panel, 3-27
 Insulation, Acstc, Panl, 2-13
 Insulation, Acstc, Plate, Floor, 2-13
 Insulation, Acstc, Seal, Vac Fan, 2-133
 Insulation, Acstc, Seat, 3-29

Insulation, Cover, Eng, Bottom [2007], 3-51, 3-59
 Isolator [Epr], 2-53
 Isolator Kit, Mtg, Vaporizer, Rbr, 2-50
 Isolator, Box, Relay, 2-43, 2-53
 Isolator, Rubber, 2-69, 2-71
 Isolator, Vib, Bshg, 1.1d 0.6l .4b 0.78h, 2-83, 2-85, 2-133
 Isolator, Vib, Dia .50, 2-31, 2-33, 2-35, 2-37

K

Key, Ignition, [Set Of 2], 2-25
 Key, Motor, Hyd, 4-7
 Key, Round, 4-5
 Key, Shaft, Pump, Hyd, 4-3
 Key, Sq, 0.12 X 0.12, 0.50l, 2-65
 Key, Sq, 0.12 X 0.12, 00.75l, 4-11
 Key, Valve Stem, 5-3
 Key, Woodruff, 0.25 1.00, [Asa#0808], 4-8
 Kit, Brake, 2-97
 Kit, Ci, Alarm, Backup, A/V, W/ Cab, 3-23
 Kit, Ci, Alarm, Backup, A/V, W/O Cab, 3-21
 Kit, Ci, Extinguisher, Fire, [6600/6650], 3-79
 Kit, Ci, Light, Flsh [6600/6650], 3-9
 Kit, Ci, Light, Flsh, Cab [6600/6650], 3-13
 Kit, Ci, Light, Flsh, Flush, Cab, 3-17
 Kit, Ci, Light, Flsh, Ohg, 3-5
 Kit, Ci, Light, Revl [6600/6650], 3-11
 Kit, Ci, Light, Revl, Cab [6600/6650], 3-15
 Kit, Ci, Light, Revl, Flush, Ohg, 3-19
 Kit, Ci, Light, Revl, Ohg [6600/6650], 3-7
 Kit, Ci, Ohg [6600/6650], 3-25
 Kit, Ci, Sbdc, [6600/6650], 3-77
 Kit, Ci, Transport [6600/6650], 3-88
 Kit, Ci, Turn Signal [6650Xs], 3-3
 Kit, Ci, Wand, Vacuum, 3-61
 Kit, Clamp, Hopper Filter Box, 6600/6650, 2-119, 2-121
 Kit, Connector, Coolant Sensor, 4-23, 4-25, 4-27, 4-29
 Kit, Connector, Gas Injector, 4-27, 4-29
 Kit, Connector, Govnr, 4-23, 4-25, 4-27, 4-29
 Kit, Connector, Sensor, [lat], 4-23, 4-25, 4-27, 4-29
 Kit, Connector, Sensor, [Map], 4-23, 4-25
 Kit, Dust, Cab, [385/355], 3-35
 Kit, Gasket, Manifold, 4-23, 4-25, 4-27, 4-29
 Kit, Maint, 400hr W/O A/C [6600 G] Eng, 2-3
 Kit, Maint, 400hr W/O A/C [6600lpg] Eng, 2-3
 Kit, Maint, 400Hr, Gas [6600/6650], 2-2
 Kit, Maint, 400Hr, Lpg [6600/6650], 2-3
 Kit, Maint, Seal, [6650XS], 2-2
 Kit, Maint, Skirt, Door, Hppr [6600/6650], 2-2
 Kit, Maint, Skirt, Hppr [6600/6650XP], 2-2

CROSS REFERENCE

Kit, O-ring, Injector, Top And Bottom, Lpg, 4-23, 4-25
Kit, Org, Injector And Reg, Gas, 4-27, 4-29
Kit, Reg, Gas Press, 4-27, 4-29
Kit, Replmt, Circuitboard [6650], 2-25
Kit, Replmt, Overlay [6650], 2-25
Kit, Replmt, Seal, Motor, Hyd, 4-8
Kit, Ring, Restrictor, [6500/6550], 2-119, 2-121
Kit, Rotating, Pump, Hyd, 4-3
Kit, Seal, Cyl, Hyd, 4-14, 4-15
Kit, Seal, Hyd, Pump, 4-3
Kit, Seal, Hyd, Valve, Strg, 4-13
Kit, Seal, Motor, Hyd, 4-7, 4-8, 4-9
Kit, Seal, Motor, Hyd, Gear, 4-11
Kit, Seal, Pump, Hyd, 4-5
Kit, Seal, Valve, Hyd, 4-11
Kit, Shim, 4-3
Kit, Spring, Valve, Strg, 4-13
Kit, Wiper, Mtg, Plate, 3-33
Knob, Star, 2.2od 8ear 1.11 M10x1.5 Pls, 2-129
Knob, Tee, 2.5x1.0 1.11 0.38-16 Plstc, 2-127, 3-67
Knob, Tpr, 1.00d 1.63l M08x1.25 Plstc, 3-55, 3-57
Knob, Tpr, 1.12d 3.88l M08x1.25 Plstc, 2-23

L

Label Set, Hi Temp, 2-180
Label Set, Info/Hzrd, [Multi-Machines], 2-180
Label Set, Opertnl, 3-55
Label Set, Opertnl [6650], 2-180
Label Set, Opertnl, [355], 3-57
Label, Caution [Apply Parking Brake], 2-180
Label, Control, Side Brush, 3-69
Label, Info, A/C, On-Off, 3-52
Label, Instr, Fltr Drain, 2-47
Label, Numerals [6650xp], 2-180
Label, Numerals [6650xs], 2-180
Label, Opertnl, Cab, 3-33
Label, Opertnl, Cab (W/A/C), 3-33
Label, Opertnl, Heat On-Off, 3-39, 3-41, 3-43, 3-45
Label, Spec, A/C, 3-43, 3-45
Lamp Strobe, Amb [12-48 Vdc], 3-7, 3-11, 3-15, 3-19
Lamp, 12vdc Lamp, Dome [Speaker], 3-33
Lamp, 12vdc, . A Cp [#194], 3-3
Lamp, 12vdc, 0.9a, 15cp Watt [#1004], 3-21, 3-23
Lamp, 12vdc, 0.5a Watt 04cp [#1157], 2-7
Lamp, 12vdc, 2.1a Watt 32c [#1156], 3-5, 3-7, 3-9, 3-11, 3-13, 3-15, 3-17, 3-19
Lamp, 12vdc, Turn Signal, 3-3

Lamp, Bulb, Lamp, Flsh, 3-5, 3-9, 3-13, 3-17
Lamp, Bulb, Lamp, Strobe, 3-7, 3-11, 3-15, 3-19
Lamp, Flasher, Amb [12-48 Vdc], 3-5, 3-9, 3-13, 3-17
Latch, 2-17, 2-21, 2-79, 2-81, 2-115, 2-117, 2-131, 2-143, 3-31, 3-51, 3-59
Latch Assy, Rbr, 1.6d 1.4l/1.0d 1.0l, 2-15, 2-17
Latch Hook, Lh, 2-11
Latch, Bolt, 2-9, 2-11, 2-17
Latch, Hook, Rh, 2-9
Latch, Rbr, A/C Cover W/ Rivets, 4-20, 4-21
Lens, Amber, Light, Flsh, [Fr207], 3-5, 3-9, 3-13, 3-17
Lens, Amber, Light, Revl, 3-7, 3-11, 3-15, 3-19
Lens, Blu, F/ Revl / Flasher, 3-5, 3-7, 3-9, 3-11, 3-13, 3-15, 3-17, 3-19
Lens, Blue, Light, Flsh, [Fr207], 3-5, 3-9, 3-13, 3-17
Lens, Blue, Light, Revl, 3-7, 3-11, 3-15, 3-19
Lens, Lamp, Amb, Strobe/Flasher, 3-5, 3-7, 3-9, 3-11, 3-13, 3-15, 3-17, 3-19
Lens, Red, Light, Flsh, [Fr207], 3-5, 3-9, 3-13, 3-17
Lens, Red, Light, Revl, 3-7, 3-11, 3-15, 3-19
Lens, Red, F/ Revl / Flasher, 3-5, 3-7, 3-9, 3-11, 3-13, 3-15, 3-17, 3-19
Lever, 2-23, 3-55, 3-57
Lever, Brake, Parking, 2-99
Lever, Door Release, 3-31
Light, Check Eng, Amb, 14Vdc, 2-25
Light, Dome, 12vdc, Rwk 58951, 3-33
Light, Flsh, 12vdc, Amb, Rwk 82198, 3-5, 3-9, 3-13, 3-17
Light, Marker, 12Vdc, Yel, 4.0 X 2.0, 3-3
Light, Revl, 12vdc, Amb, Rwk 82200, 3-7, 3-11, 3-15, 3-19
Light, Spot, 12vdc, 21cp Rwk 44025a, 3-21, 3-23
Light, Spot, 12vdc, 35watt Rwk 68305, 3-3
Liner, Head, Plenum, 3-37

M

Magnet, 3-55, 3-57
Manifold, Exhaust, 5-9
Manifold, Gas, Relief, Valve [2007], 2-77
Manifold, Intake, 5-9
Manifold, Intake [1.6l], 2-41, 2-43, 2-49, 2-53
Manual Pkg, [6650 Gas/Lpg Na], 3-89
Manual Pkg, Service Info [6600/6650], 3-89

Manual, Cd-Rom, Service Info [6600/6650], 3-89
Manual, Eng, Cd-Rom [Tier li,Gm1.6l], 3-89
Manual, Oprtr, [6650 Gas/Lpg Es Na], 3-89
Manual, Oprtr, [6650 Gas/Lpg Fr Na], 3-89
Mirror, Convex, 06.7 X 06.2, 3-25, 3-29
Mirror, Convex, 08.0d, 3-65
Mixer, Lpg [Gm 1.6L], 2-49
Mixer, W/70 Deg Ftg, 2-53
Module, 2-29
Module, Ecu, Gas [Gm, 1.6l 2007], 2-43
Module, Ecu, Gas [Gm 1.6L], 2-41
Module, Ecu, Lpg [Gm 1.6L], 2-49
Module, Ecu, Lpg [Gm1.6l 2007], 2-54
Molding, Trim, Pvc,.08 .11 07.5l, 2-23
Molding, Trim, Pvc,.08-.11 04.0l, 2-115, 2-117
Molding, Trim, Pvc,.08-.11 05.0l, 2-23
Molding, Trim, Pvc,.08-.11 07.7l, 2-115, 2-117
Molding, Trim, Pvc,.08-.11 14.2l, 2-13
Molding, Trim, Pvc,.08-.11 22.8l, 2-13
Molding, Trim, Pvc,.08-.11 25.6l, 2-7
Molding, Trim, Pvc,.18-.31 02.8l, 3-61
Motor, Blower, 12vdc, A/C, 4-20, 4-21
Motor, Ele, Wiper, 12vdc 68deg, 3-33
Motor, Hyd, Gear, [Ex] .194 R 3000, 4-11
Motor, Hyd, Gear, [Ex] .194 R 3000 (See Breakdowns), 2-133
Motor, Hyd, Gear, [In] 02.8 1500, 4-8
Motor, Hyd, Gear, [In] 02.8 1500 (See Breakdowns), 2-131
Motor, Hyd, Gear, [In] 14.1 B 1500 (See Breakdowns), 3-69
Motor, Hyd, Gear, [In] 17.9 B 1500, 4-9
Motor, Hyd, Gear, [In] 17.9 B 1500 (See Breakdowns), 2-125, 3-65
Motor, Hyd, Gear, [Int], 19.0 X 3000, 4-7
Motor, Hyd, Gear, [Int], 19.0 X 3000 (See Breakdowns), 2-93
Motor, Hydraulic, 4-10
Mount Wldt, Eng, Gas / Lpg, 2-31, 2-33, 2-35, 2-37
Mount Wldt, Eng, Gas/Lpg, 3-49
Mount, Cable Tie, 2-87, 2-88, 3-5, 3-7, 3-9, 3-11, 3-13, 3-15, 3-17, 3-19, 3-21, 3-23
Muffler, Catalytic [Gm 1.6l 2007], 2-71
Muffler, Catalytic [Gm1.6l, 7400, 6600], 2-69
Muffler, Exhaust, 2-67, 3-87

N

Nut, Hex, Flng, .25-20, 2-21
Nut, Hex, Flng, M05 X 0.8, 3-3, 3-21, 3-23
Nut, Hex, Flng, M06 X 1.0, 2-13, 2-31, 2-33, 2-35, 2-37, 2-73, 2-101, 3-5, 3-7, 3-55, 3-57

Nut, Hex, Flng, M08 X 1.25, 2-7, 2-13, 2-21, 2-27, 2-31, 2-35, 2-73, 2-75, 2-77, 2-79, 2-81, 2-89, 2-91, 2-93, 2-113, 2-141, 2-147, 3-23, 3-31, 3-39, 3-41, 3-43, 3-45, 3-61, 3-77

Nut, Hex, Flng, M08X1.25, 3-72

Nut, Hex, Flng, M10 X 1.5, 2-125, 3-77, 3-88

Nut, Hex, Flng, M6 X 1.0, 2-75, 2-77, 2-85

Nut, Hex, Flng, M6 X 1.00, 2-87, 2-88

Nut, Hex, Flng, M6X1.0, 2-41, 2-49

Nut, Hex, Flng, M8 X 1.25, 2-33, 2-37, 2-53, 2-85, 2-143

Nut, Hex, Jam, .25-20, 2-19

Nut, Hex, Jam, .25-28, 3-51, 3-59

Nut, Hex, Jam, .50-20, 2-97

Nut, Hex, Jam, M10 X 1.5, Ss, 2-127, 2-129, 3-67

Nut, Hex, Jam, M16x2.0, 2-19

Nut, Hex, Jam, M20 X 1.5, 2-23

Nut, Hex, Lock, .25-20, NI, 2-73, 2-75, 2-77, 2-101, 2-103

Nut, Hex, Lock, .25-28, NI, Thin, 3-51, 3-59

Nut, Hex, Lock, .31-18, NI, 2-65

Nut, Hex, Lock, .31-18, NI, Ss, 3-3

Nut, Hex, Lock, .31-18, NI, Thin, 2-19, 2-113, 3-31, 3-51, 3-59, 3-69

Nut, Hex, Lock, .31-24, NI, Thin, 2-133

Nut, Hex, Lock, .38-16, NI, 2-21, 2-79, 2-81, 2-133, 3-49

Nut, Hex, Lock, .38-16, NI, Thin, 2-103

Nut, Hex, Lock, .75-10, NI, 2-93, 2-131

Nut, Hex, Lock, #06-32, NI, 2-117

Nut, Hex, Lock, M 4 X 0.7, NI, 2-119, 2-121, 3-33, 3-61, 3-63

Nut, Hex, Lock, M 5 X 0.8, NI, 2-7, 2-25, 2-49, 3-3, 3-51, 3-55, 3-57, 3-59, 3-61

Nut, Hex, Lock, M 6 X 1.0, NI, 2-13, 2-15, 2-21, 2-27, 2-29, 2-79, 2-107, 2-113, 2-129, 3-31, 3-51, 3-59, 3-61, 3-63

Nut, Hex, Lock, M 6 X 1.0, NI, Ss, 2-2, 2-29, 2-99, 2-105, 2-107, 2-109, 2-111, 2-115, 2-117, 3-77

Nut, Hex, Lock, M 8 X 1.25 NI, 2-13, 2-17, 2-57, 2-59, 2-61, 2-67, 2-99, 2-101, 2-127, 2-129, 2-131, 2-133, 2-139, 3-3, 3-11, 3-21, 3-23, 3-29, 3-51, 3-59, 3-67, 3-69, 3-71

Nut, Hex, Lock, M 8 X 1.25, NI, Ss, 2-2, 2-7, 2-63, 2-105, 2-107, 2-109, 2-111, 2-139, 3-47

Nut, Hex, Lock, M10 X 1.5, NI, 2-83, 2-85, 2-95, 2-101, 2-103, 2-127, 2-129, 2-133, 3-25, 3-51, 3-55, 3-57, 3-59, 3-67

Nut, Hex, Lock, M12 X 1.75, NI, 2-15, 2-17, 2-31, 2-33, 2-35, 2-37, 2-97, 2-115, 2-117, 2-131, 3-25, 3-31, 3-55, 3-71

Nut, Hex, Lock, M4 X 0.7, NI, 2-143

Nut, Hex, Lock, M5 X 0.8, NI, 2-29, 2-41, 3-5, 3-7, 3-9, 3-11, 3-13, 3-15, 3-17, 3-19, 3-37

Nut, Hex, Lock, M6 X 1.0, NI, 2-17, 2-41, 2-43, 2-49, 2-77, 2-143, 3-52, 3-65

Nut, Hex, Lock, M6 X 1.00 NI, 3-9

Nut, Hex, Lock, M6 X 1.00, NI, 2-53

Nut, Hex, Lock, M8 X 1.25, NI, 2-65, 2-69, 2-71, 2-113, 3-75

Nut, Hex, Sltd, .75-16, 4-8

Nut, Hex, Sltd, 1.00-20, 2-97

Nut, Hex, Sltd, 1.12-18, 2-93

Nut, Hex, Std, .25-20, 2-43, 2-47, 2-53

Nut, Hex, Std, .31-18, 2-63, 2-65

Nut, Hex, Std, .38-16, 2-17, 2-71

Nut, Hex, Std, .44-14, 5, 3-31

Nut, Hex, Std, .50-20, 2-97

Nut, Hex, Std, .75-16, 2-93

Nut, Hex, Std, #06-32, 2-73

Nut, Hex, Std, M05 X 0.8, 2-103

Nut, Hex, Std, M06 X 1.0, 2-31, 2-35

Nut, Hex, Std, M08 X 1.25, 2-63, 2-65

Nut, Hex, Std, M08 X 1.25, Brs, 2-63

Nut, Hex, Std, M10 X 1.5, 2-101, 2-103, 2-129

Nut, Hex, Std, M10 X 1.5, Ss, 2-125

Nut, Hex, Std, M10-1.5, Ss, 2-103

Nut, Hex, Std, M12 X 1.75, 2-17

Nut, Hex, Std, M12 X 1.75, Ss, 2-9, 2-11, 2-125, 3-65

Nut, Hex, Std, M4 X 0.7, 8, 2-75, 2-77

Nut, Hex, Std, M5 X 0.8, 8, 2-33, 2-37, 2-75, 2-77

Nut, Hex, Std, M6 X 1.0, 8, 2-33, 2-37

Nut, Hex, Std, M8 X 1.25, 2-71

Nut, Hex, Stover, M10 X 1.5, 2-69, 2-71, 3-87

Nut, Isolator, .25-20 Wall Thk .015-.094, 3-33

Nut, Isolator, .25-20 Wall Thk .031-.187, 3-33

Nut, Long, 4-17

Nut, Manifold, Exhaust, M8 X 1.25, 5-9

Nut, Motor, Hyd, 4-7

Nut, Push, M6 X 1.0, 2-115

Nut, Retainer, .312 Dia, 2-123

Nut, Short, 4-17

Nut, Speed, Retainer, .31-18 [.093-.126], 2-19

Nut, Speed, Retainer, #08-32 [.025-.063], 3-21, 3-23

Nut, U, M06 X 1.0, 2-19, 2-25, 3-33, 3-51, 3-59

Nut, U, M08 X 1.25, 2-13

Nut, Wheel, .50-20 X 60 Angle, 2-93

Nut, Wing, .31-18, 2-91

O

Oriface, Plug, 4-17

Output Shaft, 4-10

Outside Sprocket, Gm, 5-11

Overlay Kit, Panl, Cntrl, Replmt [6650], 2-25

P

Pad, Pedal, Brake, 3.9 2.4 0.75t, 2-99

Paint, Airdry, Blk, 12oz, 2-3

Paint, Airdry, Gray, 12oz, 2-3

Paint, Airdry, Iron Gray, 12oz, 2-3

Paint, Airdry, Off-White, 12oz, 2-3

Paint, Airdry, Teal, 12oz, Solid, 2-3

Pan, Oil, W/ Baffle / Plug / Seal, 5-8

Pane, Cab, 3-29

Pane, Door, Cab, 3-31

Panel Assy, Instmt [6650 E-Controls], 2-25

Panel Assy, Instmt [6650], 2-25

Panel Wldt, 2-79, 2-81

Panel Wldt, Perma-Filter, 2-105

Panel Wldt, Sppt, Seat, 2-13

Panel, Eng, 2-7

Panel, Hppr, 2-121

Panel, Inside, 2-13

Panel, Instmt, Cab, 3-33

Panel, Instmt, Cab [6600/6650], 3-33

Panel, Jam, Door, Rear, Lower, 3-29

Panel, Perma-Filter, 2-107

Panel, Shrd, Fan, Gas/LPG, 2-83, 2-85

Panel, Sppt, Lever, Side Brush, 2-7

Panel, Wldt, Instmt, Side [6650], 2-27

Pedal, Propel, Lower, W/ Tread, 2-101

Pedal, Propel, Upper, W/ Tread, 2-101

Pin, 2-15, 2-17, 2-93, 2-123, 2-125, 3-65, 3-69

Pin Assy, Clevis, Hopper Lift, 2-123

Pin-Grvd, 1.00d 3.0I2/ 2.71btwn, 2-123

Pin, 0.38d 17.2I 1/10h 2/M04 X 0.7h, 3-55, 3-57

Pin, 1.25d 03.3I 1/M08x1.25 Stl, 2-123

Pin, Arm, Safety, 2-123

Pin, Clevis, 0.19 D X 0.50I, 3-71

Pin, Clevis, 0.25 D X 2.44I, 2-23

Pin, Clevis, 0.37 D X 1.00I, 2-97

Pin, Clevis, 0.37 D X 1.50I, 2-127, 3-67

Pin, Clevis, 0.37 D X 2.12I, 2-101

Pin, Clevis, 0.37 D X 3.00I, 2-23, 3-31

Pin, Clevis, 0.37 D X 4.50I, 2-101

Pin, Clevis, 0.38 D X 1.13I, 2-97, 2-99, 2-129

Pin, Clevis, 0.50 D X 1.25I, 2-97

Pin, Clevis, 0.50 D X 1.75I, 2-129

Pin, Clevis, 0.50 D X 2.50I, 3-71

Pin, Clevis, 0.50 D X 3.00I, 3-69

Pin, Clevis, 0.50 D X 3.50I, 2-109, 2-111

Pin, Clevis, 0.50 D X 4.50I, 2-101

Pin, Clevis, 0.50 D X 5.00I, 2-125, 3-65, 3-69, 3-77

Pin, Clevis, 0.50 D X 5.50I, 2-125, 3-65, 3-69

Pin, Clevis, 0.75 D X 5.50I, 2-125, 3-65

Pin, Cotter, .062 X 0.75, 2-23

Pin, Cotter, .094 X 0.75, 2-23, 2-97, 2-99, 2-101, 3-31, 3-71

CROSS REFERENCE

- Pin, Cotter, .094 X 1.00, 2-127, 2-129, 3-67
Pin, Cotter, .125 X 1.00, 2-23, 2-97, 2-101, 2-125, 2-129, 3-65
Pin, Cotter, .125 X 1.25, 2-109, 2-111, 2-131, 3-69
Pin, Cotter, .125 X 1.75, 2-97, 3-71
Pin, Cotter, .125 X 2.50, 2-93
Pin, Dowel, Pump, Hyd, 4-3
Pin, Grooved, 2-123
Pin, Hair Cotter, 0.62 D .120 Wir, 2-125, 3-65
Pin, Hair Cotter, 0.69 D .092 Wir, 2-13, 2-15, 2-17, 2-101, 3-77
Pin, Hopper, Lift, 2-115
Pin, Lock, Cyl Head, 14mm X 17mm, 5-3, 5-5
Pin, Lock, Transmission, 5-5
Pin, Retainer, 2-50
Pin, Ring, Lock, Hsng, Water Pump, 5-7
Pin, Roll, .090 D X 0.751, .094/.097, 3-55, 3-57
Pin, Valve, Strg, 4-13
Pipe, Suc, Oil Pump, 5-7
Piston, Pump, Hyd, Gear, 4-7
Piston, W/ Pin, Std, 5-5
Pivot, 2-125, 3-65
Pivot Wldt, 3-71
Pivot Wldt, Actuator, 3-71
Plate, 2-25, 3-5, 3-7, 3-29, 3-51, 3-55, 3-57, 3-59
Plate Wldt, Blower Wand, 3-55, 3-57
Plate Wldt, Bottom, Hppr, [6600/6650xp], 2-105
Plate Wldt, Cover, Eng, 2-19, 3-51, 3-59
Plate Wldt, Cover, Eng, Metal, 3-59
Plate Wldt, Cover, Eng, Metal [2007], 3-51, 3-59
Plate Wldt, Cover, Plstc, Eng, 2-19
Plate Wldt, Cover, Plstc, Eng [2007], 2-19
Plate, Access, W/Label [6600/6650], 2-13
Plate, Adaptor, Pump, Hyd, 4-5
Plate, Back, Pump, Gear, 4-5
Plate, Backing, Handle, 3-55, 3-57, 3-61, 3-63
Plate, Brush, Adj, 2-129
Plate, Cover, 2-7, 4-3
Plate, Cover, Eng, Top, 2-19
Plate, Cover, Eng, Top [6600/6650 2007], 2-19
Plate, Deflector, 3-72
Plate, Floor, Access, 2-13
Plate, Floor, W/ Tread [6600/6650], 2-13
Plate, Front, Pump, Gear, 4-5
Plate, Injector Mtg, W/ Screw, 4-23, 4-25, 4-27, 4-29
Plate, Mtg, 2-131
Plate, Mtg, Ecu, 2-43, 2-54
Plate, Mtg, Latch (LPG Only), 2-15
Plate, Mtg, Relay, 2-43, 2-53
Plate, Panel, Shaker, 2-119, 2-121
Plate, Retainer, 2-25, 2-105, 3-77
Plate, Retainer, Bumper, 2-115
Plate, Retainer, Door, Dump, 2-2, 2-109, 2-111
Plate, Retainer, Lh, 2-115
Plate, Retainer, Rh, 2-115
Plate, Seal, 3-29
Plate, Spacer, 3-77
Plate, Spacer, Motor, Hyd, 4-8, 4-9
Plate, Valve, Motor, Hyd, 4-7
Plate, Valve, Pump, Hyd, 4-3
Plate, Wear, Pump, Hyd, 4-5
Plate, Wear, Valve, Strg, 4-13
Plug, 4-7, 4-10, 5-9
Plug Assy, 4-13
Plug Wldt, Drive, Brush, Sweep, 2-131
Plug Wldt, Idler, Brush, 2-131
Plug, .12npt, Ss, 2-43, 2-49, 2-53
Plug, #5 O-Ring Ph, 4-17
Plug, Bore, Valve, Relief, Oil Press, 5-7
Plug, Drain, Oil Pan, M14 X 1.5 X 12, 5-8
Plug, Hole, Coolant, Eng Block, 5-5
Plug, Hole, Core, Eng Block, 5-8
Plug, Hole, Injector, 2-49, 2-53
Plug, Hsng, Oil Pump, 5-7
Plug, Manifold, Intake, 2-41, 2-43, 2-49, 2-53
Plug, Port, Sensor [Map], 2-41, 2-43, 2-49, 2-53
Plug, Pump, Hyd, 4-5
Plug, Pump, Hyd, Gear, 4-7
Plug, W/O-Ring #20, 4-5
Plug, W/O-Ring, #16, 4-5
Poppet, Pump, Hyd, Gear, 4-7
Pulley, 2-63, 2-65
Pulley, Cable, 1.5d, Nyl, 2-97, 2-99, 2-127, 3-67
Pulley, Fan, Hub [Gm1.6l 2007], 2-65
Pulley, Tensioner [Gm], 5-11
Pump, Fuel, Gas, 2-73
Pump, Fuel, Hi-Press [Gm 1.6l/3.0l], 2-75, 2-77
Pump, Hyd, Gear [Ex3] 0.66 [X] 3000, 4-5
Pump, Hyd, Gear, W/Org, Afrmkt (See Breakdowns), 2-145
Pump, Hyd, Piston, [V] 1.44 [R] 4000, 4-3
Pump, Hyd, Piston, [V] 1.44 [R] 4000 (See Breakdowns), 2-145
Pump, Oil, 5-7
Pump, Water [Gm], 5-7
- ### R
- Race, Bearing, Pump, Hyd, 4-3
Race, Bearing, Valve, Strg, 4-13
Race, Thrust, 4-10
Race, Thrust, Motor, Hyd, 4-8, 4-9
Radiator Kit, Replmt, Ci, 2-83, 2-85
Rail, Injector, Fuel, Plstc, 2-43
Rail, Injector, Gas, W/ Press Reg, 2-41
Regulator [Ep], 2-53
Regulator Assy, Secondary, Lpg, 12psi, 2-45, 2-47
Relay, 12vdc, 20a, Spdt, 2-179
Relay, 12vdc, 40a, Spdt, 2-179
Relay, 12vdc, 40a, Spdt N/O, 2-29
Relay, 12vdc, 40a, Spdt N/O [Potter], 3-52
Repair Info., 4-10
Reservoir, W/ Label, 06.5gal [6600/6650], 2-139
Resistor, 022.00Ohm, 040Watt, 2-29
Restrictor, Jet, Coolant, 2-49
Retainer, Blade, Deflector, 2-7
Retainer, Camshaft, 5-11
Retainer, Motor, Hyd, 4-7
Retainer, Ring, 2-123
Retainer, Skirt, 2-2, 2-105, 3-65, 3-77
Retainer, Skirt, Hppr, Rear, 2-2, 2-107
Retainer, Skirt, Hppr, Side, Front, 2-2, 2-107
Retainer, Skirt, Hppr, Side, Rear, 2-2, 2-107
Retainer, Skirt, Hppr, Top, 2-7
Retainer, Skirt, Sbdc, Lh, 3-77
Retainer, Sparkplug, 1 Way, 5-12
Retainer, Sparkplug, 2 Way, 5-12
Retainer, Sparkplug, 3 Way, 5-12
Retainer, Stop, 2-129
Rim Assy, 08 X 3.76 4.5bc/5b, 2-95
Rim Assy, 08 X 4.25 4.5bc/5b, [5.25-8], 3-82
Ring Kit, Piston, Std 78.95-79.02mm, 5-5
Ring, Motor, Hyd, 4-7
Ring, Retainer, Valve, Strg, 4-13
Ring, Retaining, 4-3
Ring, Retaining, Ext, 0.75d, 2-123
Ring, Retaining, Ext, 0.98d, [E-Ring], 2-99, 2-123
Ring, Retaining, Ext, 1.25d, 2-123
Ring, Retaining, Int, 2.00d, 2-123
Ring, Retaining, Pump, Hyd, 4-3
Rivet, Blind, .125d X 0.44 X .25d, Alm, 2-115
Rivet, Blind, .125d X 0.44 X .25d, Stl, 2-117, 3-29, 3-31
Rivet, Blind, .188d X 0.58 X .38d, Stl, 3-77
Rivet, Plstc, .181d X 0.720, 2-117
Rivet, Plstc, .250 X 0.898, 2-9, 2-11
Rivet, Plstc, .325d X 0.787, 2-7, 2-117
Rod, 3-51, 3-59
Rod-End, .75-16rh Fem 0.75b, 2-93
Rod-End, .75-16rh Mal 0.75b, 2-93
Rod-End, M10 X 1.5lh Fem M10 X 1.5stud, 2-103
Rod-End, M10 X 1.5rh Fem M10 X 1.5stud, 2-101, 2-103
Rod, Arm, Safety, 2-123
Rod, Connecting, M08 X 45, 5-5
Rod, Hanger, Isolator, 2-71
Rod, L, . D, 2-23
Rod, Thrd, 2 End, M10x1.5 06.6l 1/Lh, 2-103
Rod, Thrd, Full, M10x1.5 03.3l, 2-101
Rod, Thrd, Limiter, Speed, M10x1.5, 2-101

S

- Screen, Oil Pump, W/ Suc Pipe, 5-7
 Screen, Sparkarrest, 2-67, 2-69, 3-87
 Screw, 2-53, 4-10
 Screw, Adj, Valve, Hyd, 5-3
 Screw, Btn, M 8 X 1.25 X 16, Ss, 3-23, 3-29
 Screw, Cap, 4-3, 4-10
 Screw, Cap, Motor, Hyd, 4-5, 4-7, 4-9
 Screw, Cap, Pump, Hyd, 4-3
 Screw, Chz, M05 X 0.8 X 60, 4.8, 2-7
 Screw, Flt, .38-16 X 0.75, Al, 2-65
 Screw, Flt, .75-10 X 2.50, Al, 2-131
 Screw, Flt, M05 X 0.8 X 16, 10.9, 2-131, 3-51, 3-59
 Screw, Flt, M06 X 1.0 X 16, 10.9, 3-31, 3-51, 3-59, 3-61, 3-63
 Screw, Flt, M08 X 1.25 X 25, 10.9, 2-129, 2-133, 3-31
 Screw, Flt, M08 X 1.25 X 40, 10.9, 3-31
 Screw, Flt, M10X1.5X25, 10.9, 2-127, 3-67
 Screw, Flt, M8 X 1.25 X 25, 10.9, 2-67, 2-69, 2-143
 Screw, Hex, 2-50
 Screw, Hex, .25-20 X 0.50, 5, 2-31, 2-33, 2-35, 2-37, 2-43
 Screw, Hex, .25-20 X 0.50, Fmg, 3-29, 3-43, 3-55, 3-57
 Screw, Hex, .25-20 X 0.50, G5, 2-53
 Screw, Hex, .25-20 X 0.75, 5, 2-43, 2-47
 Screw, Hex, .25-20 X 0.75, G5, 2-53
 Screw, Hex, .25-20 X 0.75, NI, 2-133
 Screw, Hex, .25-20 X 0.75, Sems, 2-21
 Screw, Hex, .31-09 X 1.25, Wood, 2-125, 3-65
 Screw, Hex, .31-12 X 1.50, Fmg, [Ab], 3-69
 Screw, Hex, .31-18 X 0.62, 5, 2-141, 2-143
 Screw, Hex, .31-18 X 1.00, 5, 3-39, 3-41, 3-43, 3-45
 Screw, Hex, .31-18 X 1.25, 5, 2-19
 Screw, Hex, .31-18 X 1.75, 5, 2-63, 2-65
 Screw, Hex, .31-18 X 4.50, 5, 2-65
 Screw, Hex, .31-24 X 0.62, 5, 2-103
 Screw, Hex, .38-16 X 0.75, NI, 2-131
 Screw, Hex, .38-16 X 0.75, Ss, 2-23
 Screw, Hex, .38-16 X 1.00, 5, 2-31, 2-33, 2-35, 2-37, 2-57, 2-59, 2-61, 2-103
 Screw, Hex, .38-16 X 1.25, NI, 2-125, 2-145, 3-65
 Screw, Hex, .38-16 X 1.50, 5, 3-47
 Screw, Hex, .38-16 X 1.50, NI, 3-69
 Screw, Hex, .38-16 X 2.00, 5, 3-49, 3-71
 Screw, Hex, .38-16 X 2.00, Fl, 2-17
 Screw, Hex, .38-16 X 2.00, Ss, 2-103
 Screw, Hex, .38-16 X 3.00, 5, 2-79, 2-81
 Screw, Hex, .38-16 X 3.75, 5, 2-79, 2-81
 Screw, Hex, .50-13 X 1.25, 5, 2-31, 2-33, 2-35, 2-37
 Screw, Hex, .75-10 X 2.50, Fl, 2-131
 Screw, Hex, .75-10 X 3.50, 5, 2-93
 Screw, Hex, #10-16 X 0.62, Fmg, [AB], 2-83, 2-85
 Screw, Hex, #10-24 X 0.50, Ss, 2-65
 Screw, Hex, #10-24 X 0.75, Fmg, 3-37
 Screw, Hex, #12-16 X 0.75, F/Plstc, 3-63
 Screw, Hex, M 4 X 0.7 X 12, 8.8, 2-119, 2-121, 3-33
 Screw, Hex, M 5 X 0.8 X 12, Ss, 3-3, 3-21, 3-23
 Screw, Hex, M 5 X 0.8 X 16, Fmg, 2-123, 3-79
 Screw, Hex, M 6 X 1.0 X 10, 8.8, 2-83
 Screw, Hex, M 6 X 1.0 X 16, 8.8, 2-7, 2-13, 2-15, 2-73, 2-79, 3-5, 3-7
 Screw, Hex, M 6 X 1.0 X 16, Fmg, 2-107, 2-119, 3-61, 3-63, 3-67
 Screw, Hex, M 6 X 1.0 X 16, Ss, 2-131
 Screw, Hex, M 6 X 1.0 X 16, Ss, NI, 2-2, 2-105, 2-113, 2-141, 3-65
 Screw, Hex, M 6 X 1.0 X 20, 8.8, 2-13, 2-19, 2-31, 2-33, 2-35, 2-37, 2-73, 2-101, 3-31, 3-71
 Screw, Hex, M 6 X 1.0 X 20, Fmg, 2-2, 2-107, 3-31, 3-35, 3-55, 3-57, 3-77
 Screw, Hex, M 6 X 1.0 X 20, Ss, 2-2, 2-105, 2-107, 2-109, 2-111, 2-117
 Screw, Hex, M 6 X 1.0 X 20, Ss, NI, 2-131
 Screw, Hex, M 6 X 1.0 X 25, 8.8, 2-17, 2-25, 2-83, 3-71
 Screw, Hex, M 6 X 1.0 X 25, Ss, 2-9, 2-11, 3-77
 Screw, Hex, M 6 X 1.0 X 30, 8.8, 2-15
 Screw, Hex, M 6 X 1.0 X 35, 8.8, 2-13
 Screw, Hex, M 6 X 1.0 X 35, Ss, 2-29, 2-131
 Screw, Hex, M 6 X 1.0 X 40, 8.8, 3-61, 3-63, 3-69, 3-71
 Screw, Hex, M 6 X 1.0 X 40, Ss, 2-105, 2-107
 Screw, Hex, M 6 X 1.0 X 50, 8.8, 3-55, 3-57
 Screw, Hex, M 6 X 1.00 X 55, Ss, 2-99
 Screw, Hex, M 8 X 1.25 X 16, 8.8, 2-13, 2-23, 2-25, 2-73, 2-119, 3-3
 Screw, Hex, M 8 X 1.25 X 16, Ss, NI, 2-105, 2-109, 2-111, 2-113, 3-65
 Screw, Hex, M 8 X 1.25 X 16, Ss, NI (6650 XP Only), 2-125
 Screw, Hex, M 8 X 1.25 X 20, 8.8, 2-7, 2-17, 2-21, 2-79, 2-81, 2-89, 2-91, 2-113, 2-141, 2-147, 3-9, 3-11, 3-21, 3-23, 3-39, 3-41, 3-43, 3-45, 3-51, 3-59, 3-61, 3-69, 3-77
 Screw, Hex, M 8 X 1.25 X 20, Fmg, 3-17, 3-19
 Screw, Hex, M 8 X 1.25 X 20, Ss, 2-93, 3-11
 Screw, Hex, M 8 X 1.25 X 25, 8.8, 2-13, 2-19, 2-57, 2-73, 2-75, 2-77, 2-79, 2-81, 2-91, 2-113, 2-133, 3-51, 3-59, 3-72
 Screw, Hex, M 8 X 1.25 X 25, Fmg, 3-31
 Screw, Hex, M 8 X 1.25 X 25, Ss, 2-2, 2-9, 2-11, 2-107, 2-109, 2-111, 2-121, 2-131, 2-139
 Screw, Hex, M 8 X 1.25 X 30, 8.8, 2-13, 2-27, 2-127, 2-139, 3-67
 Screw, Hex, M 8 X 1.25 X 30, NI, 2-111
 Screw, Hex, M 8 X 1.25 X 30, Ss, 2-7, 2-15, 2-93, 2-97
 Screw, Hex, M 8 X 1.25 X 35, 8.8, 2-99, 2-129
 Screw, Hex, M 8 X 1.25 X 35, Ss, NI, 2-105
 Screw, Hex, M 8 X 1.25 X 40, 8.8, 2-7, 2-101
 Screw, Hex, M 8 X 1.25 X 40, Fl, 3-71
 Screw, Hex, M 8 X 1.25 X 40, Ss, NI, 2-103
 Screw, Hex, M 8 X 1.25 X 45, 8.8, 2-99, 2-141, 3-47
 Screw, Hex, M 8 X 1.25 X 55, Ss, 2-109, 2-111
 Screw, Hex, M 8 X 1.25 X 60, Fl, 2-63, 2-65
 Screw, Hex, M 8 X 1.25 X 110, Ss, 2-63
 Screw, Hex, M 8 X 1.25 X 16, 8.8, 2-67
 Screw, Hex, M 8 X 1.25 X 20, 8.8, 2-63, 2-65
 Screw, Hex, M 8 X 1.25 X 25, 8.8, 2-67
 Screw, Hex, M10 X 1.25 X 20, 8.8, 3-49
 Screw, Hex, M10 X 1.5 X 16, 8.8, 2-63, 2-65, 2-125
 Screw, Hex, M10 X 1.5 X 20, 8.8, 2-147
 Screw, Hex, M10 X 1.5 X 20, Ss, 2-9, 2-11
 Screw, Hex, M10 X 1.5 X 25, 8.8, 2-31, 2-33, 2-35, 2-37, 3-25, 3-88
 Screw, Hex, M10 X 1.5 X 25, Ss, 2-9, 2-11
 Screw, Hex, M10 X 1.5 X 30, 8.8, 2-127, 3-67
 Screw, Hex, M10 X 1.5 X 35, 8.8, 2-27, 3-77
 Screw, Hex, M10 X 1.5 X 40, 8.8, 2-63, 2-127, 2-129, 2-133, 3-67
 Screw, Hex, M10 X 1.5 X 100, 8.8, 3-55
 Screw, Hex, M10 X 1.5 X 130, 8.8, 3-57
 Screw, Hex, M10 X 1.5 X 20, 8.8, 2-65
 Screw, Hex, M10 X 1.5 X 25, 10.9, 2-95
 Screw, Hex, M10 X 1.5 X 30, 8.8, 3-75
 Screw, Hex, M10 X 1.5 X 35, 8.8, 2-67, 2-69, 2-71, 3-87
 Screw, Hex, M12 X 1.75 X 30, 8.8, 2-117, 3-25, 3-55, 3-71
 Screw, Hex, M12 X 1.75 X 40, 10.9, 2-115, 2-117
 Screw, Hex, M12 X 1.75 X 40, 8.8, 2-97, 3-31, 3-71
 Screw, Hex, M12 X 1.75 X 40, Ss, 2-115
 Screw, Hex, M12 X 1.75 X 50, 8.8, 2-115
 Screw, Hex, M12 X 1.75 X 60, 8.8, 2-31, 2-33, 2-35, 2-37

CROSS REFERENCE

- Screw, Hex, M12 X 1.75 X 70, 8.8, 2-125, 3-65
- Screw, Hex, M12 X 1.75 X 90, 8.8, 2-131
- Screw, Hex, M12 X 1.75 X 100, 8.8, 3-71
- Screw, Hex, M12 X 1.75 X 40, 8.8, 2-15, 2-17
- Screw, Hex, M16 X 2.0 X 90, 8.8, 2-19
- Screw, Hex, M16 X 2.0 X 20, 8.8, 2-131
- Screw, Hex, M4 X 0.7 X 10, Fmg, 2-119, 2-121
- Screw, Hex, M5 X 0.8 X 16, 8.8, 2-29
- Screw, Hex, M5 X 0.8 X 16, Ss, 3-37
- Screw, Hex, M6 X 1.0 X 12, 8.8, 2-85
- Screw, Hex, M6 X 1.0 X 16, 8.8, 2-23, 2-43, 2-54, 2-75, 2-77, 2-85, 2-143, 3-45
- Screw, Hex, M6 X 1.0 X 16, Ss, NI, 2-17
- Screw, Hex, M6 X 1.0 X 20, 8.8, 2-41, 2-50, 2-75, 2-77, 2-85
- Screw, Hex, M6 X 1.0 X 20, Ss, 2-115, 3-9
- Screw, Hex, M6 X 1.0 X 25, 8.8, 3-65
- Screw, Hex, M6 X 1.0 X 30, 8.8, 2-17
- Screw, Hex, M6 X 1.0 X 35, 8.8, 2-43, 2-54, 3-65
- Screw, Hex, M6 X 1.0 X 40, Ss, 2-113
- Screw, Hex, M6 X 1.0 X 50, 8.8, 2-77
- Screw, Hex, M6X1.0X16, 8.8, 2-41, 2-49
- Screw, Hex, M6X1.0X16, Fmg, 3-69
- Screw, Hex, M7-1.0 X 23.0, 8.8, 2-33, 2-37
- Screw, Hex, M8 X 1.25 X 20, 8.8, 2-17, 2-69, 2-71, 2-85, 2-87, 2-88, 2-143
- Screw, Hex, M8 X 1.25 X 25, 8.8, 2-71, 2-143
- Screw, Hex, M8 X 1.25 X 25, Fmg, 2-9, 2-11
- Screw, Hex, M8 X 1.25 X 25, Ss, 3-75
- Screw, Hex, M8 X 1.25 X 30, 8.8, 2-59, 2-61, 2-77
- Screw, Hex, M8 X 1.25 X 45, 8.8, 2-143
- Screw, Hex, M8 X 1.25 X 55, Ss, 2-69, 2-71
- Screw, Hex, M8X1.25X16, 8.8, 2-41, 2-43
- Screw, Hex, M8X1.25X25, 8.8 (6650 XS Gasoline Only), 2-15
- Screw, Motor, Hyd, 4-8, 4-9
- Screw, Pan, #06-32 X 1.75, Ss, 2-117
- Screw, Pan, #08-32 X 0.50, 1, 3-21, 3-23
- Screw, Pan, #10-14 X 0.75, F/Plstc, 2-115, 2-119, 2-121, 3-3
- Screw, Pan, #10-24 X 0.50, 1, 2-63
- Screw, Pan, #10-32 X 0.38, 2, 2-29
- Screw, Pan, #10-32 X 0.50, 2, 2-39, 2-45, 2-47
- Screw, Pan, M 4 X 0.7 X 16, 4.8, 3-61, 3-63
- Screw, Pan, M 5 X 0.8 X 10, 4.8, 3-3
- Screw, Pan, M 5 X 0.8 X 16, 4.8, 2-25
- Screw, Pan, M 5 X 0.8 X 20, 4.8, 3-61
- Screw, Pan, M 5 X 0.8 X 25, Ss, 3-55, 3-57
- Screw, Pan, M 6 X 1.0 X 16, 4.8, 2-19, 3-51, 3-59, 3-61
- Screw, Pan, M 6 X 1.0 X 20, 4.8, 2-27
- Screw, Pan, M4 X 0.7 X 10, Ss, 2-143
- Screw, Pan, M4x0.7 X 60, 4.8, 3-61, 3-63
- Screw, Pan, M5 X 0.8 X 16, 4.8, 2-25
- Screw, Pan, M5 X 0.8 X 20, 4.8, 3-5, 3-7, 3-9, 3-11, 3-13, 3-15, 3-17, 3-19
- Screw, Pan, M5 X 0.8 X 40, 4.8, 2-41, 2-49
- Screw, Pan, M5 X 0.8 X 45, 4.8, 3-3
- Screw, Pan, M6 X 1.0 X 16, 4.8, 2-17
- Screw, Pan, M6 X 1.0 X 20, 4.8, 3-31
- Screw, Soc, 2-50
- Screw, Soc, .38-16 X 1.50, Al, 2-31, 2-33, 2-35, 2-37
- Screw, Soc, .38-16 X 1.75, Al, 2-63, 2-65
- Screw, Soc, .50-13 X 1.50, Al, 2-93
- Screw, Soc, M 8 X 1.25 X 25, 12.9, 2-123
- Screw, Soc, M12 X 1.75 X 55, 10.9, 2-31, 2-33, 2-35, 2-37
- Screw, Soc, M16 X 2.0 X 50, 12.9, 2-93
- Screw, Soc, M6 X 1.0 X 25, 12.9, 2-41, 2-43
- Screw, Soc, M6 X 1.0 X 45, 12.9, 2-41, 2-43
- Screw, Soc, M6 X 1.00 X 25, 12.9, 2-53
- Screw, Soc, M8 X 1.25 X 70, 12.9, 2-53
- Screw, Valve, Strg, 4-13
- Seal Kit, 4-10
- Seal Kit, 2-123
- Seal Kit, Cart, 4-17
- Seal, Bulb, [Sd-0355], 50.00L, 2-117
- Seal, Bulb, [Sd-0504], 19.75L, 3-29
- Seal, Bulb, [Sd-0504], 34.50L, 3-31
- Seal, Bulb, [Sd-0504], 36.50L, 2-21
- Seal, Bulb, [Sd-0504], 142.00L, 3-29
- Seal, Bulb, 90, 0.50d .31grip 50.0L, 2-115
- Seal, Bulb, [Sd-0504], 36.50L, 2-27
- Seal, Door, Dump, 2-2, 2-109, 2-111
- Seal, Door, Dump, Side, 2-2, 2-109, 2-111
- Seal, O-Ring, .069 X 3.06id, 2-145
- Seal, Oil, Cshft, 5-5
- Seal, Org, 2-49
- Seal, Org, Bolt, Cover, Camshaft Hsng, 5-11
- Seal, Org, Cap, 5-3
- Seal, Org, Cap, Fltr, Oil, 5-8
- Seal, Org, Hsng, Oil Pump, 5-7
- Seal, Org, Oil Pump, 5-7
- Seal, Org, Press Switch / Drain Plug, 5-7, 5-8
- Seal, Org, Sensor, Temp [Epr], 2-54
- Seal, Org, Throttle Body, 2-50
- Seal, Org, Water Pump, 5-7
- Seal, Pocket, Hopper, 2-105
- Seal, Rbr, 0.38, 20.0 30.0, Fltr, 2-119
- Seal, Rbr, Clsd, 1.50d 39.9l, 3-35
- Seal, Rbr, Door, .19 2.50w 40.6l Red, 2-105, 2-111
- Seal, Rbr, Open, 0.31th, 0.75w 07.0l Adh, 2-9, 2-11
- Seal, Rbr, Open, 0.31th, 0.75w 21.0l Adh, 2-9, 2-11
- Seal, Rbr, Open, 1.00th, Door, Brush, Lh, 2-11
- Seal, Rbr, Open, 1.00th, Door, Brush, Rh, 2-9
- Seal, Rear Drive Grease Cavity, 2-93
- Seal, Ring, Pipe, Suc, Oil Pump, 5-7
- Seal, Sbdc, Bmpr, 3-77
- Seal, Sbdc, Bmpr (6600 Only), 3-77
- Seal, Sbdc, Bmpr (6650 Only), 3-77
- Seal, Seat, Valve, 5-3
- Seal, Shaft, 2-109, 2-111
- Seal, Ure, 0.38 0.75w 02.4l Adh, 3-29
- Seal, Ure, 0.38 0.75w 04.0l Adh, 2-119, 2-121
- Seal, Ure, 0.38 0.75w 13.2l Adh, 2-133
- Seal, Ure, 0.38 0.75w 21.0l Adh, 2-133
- Seal, Ure, 0.38 0.75w 25.2l Adh, 2-133
- Seal, Ure, 0.38 0.75w 28.8l Adh, 3-29
- Seal, Ure, 0.38 0.75w 33.0l Adh, 2-133
- Seal, Ure, 0.38 0.75w 36.0l Adh, 3-29
- Seal, Ure, 0.38 0.75w 40.0l Adh, 2-119
- Seal, Ure, 1.00 10.40w 19.0l Adh, 2-113
- Sealant, Tube, Ds, 5-8
- Seat, Dlx, W/2 Swing Arm [6650/6600], 2-13
- Seat, Rotator, Valve, 5-3
- Seat, Spring, Valve, 5-3
- Seat, Spring, Valve, 0.333, 5-3
- Seat, Valve, Exhaust, [+0.2mm], 5-3
- Seat, Valve, Exhaust, [+0.4mm], 5-3
- Seat, Valve, Exhaust, Std, 5-3
- Seat, Valve, Intake, [+0.2mm], 5-3
- Seat, Valve, Intake, [+0.4mm], 5-3
- Seat, Valve, Intake, Std, 5-3
- Seatbelt, Static F/ Dlx Seat[6650/6600], 2-13
- Send-unit, Fuel, 2-77
- Send-Unit, Fuel, Ohm, 2-73, 2-75
- Sensor [T Map], 2-53
- Sensor, [Tmap], 2-41, 2-43, 2-49
- Sensor, Exhaust, Tailpipe, 2-71
- Sensor, Manifold Press, 4-23, 4-25, 4-27, 4-29
- Sensor, Oxygen, 2-33, 2-37
- Sensor, Position, Cshft, 2-31, 2-33, 2-35, 2-37, 5-7
- Sensor, Temp, 4-23, 4-25, 4-27, 4-29
- Sensor, Temp [Epr], 2-54
- Sensor, Temp, Coolant, 2-33, 2-37
- Sensor, Temp, Water [Rework For 1.6gm], 2-33, 2-37
- Sensor, Thermal, 120vac 10a Spdt, 2-119
- Sensor, Water Temp, 2-39, 2-45, 2-47
- Shaft, 2-97
- Shaft Assy, Pedal, Brake, W/ Pad, 2-99
- Shaft Wldt, Link, Propel, Gas / Lpg, 2-101
- Shaft, Idler, Plug, Brush, 2-131
- Shaft, Motor, Hyd, 4-7
- Shaft, Output, Motor, Hyd, 4-8, 4-9

Shaft, Pivot, 3-71
 Shaft, Thrd, 2-127, 3-67
 Sheave, Cshft, 5-5
 Sheave, Flat, 3.0d 1.00w, Brg, 0.38b, 3-47, 3-49
 Shield, Heat, 2-67, 2-69, 2-71
 Shield, Manifold, Exhaust, 5-9
 Shield, Starter [1.6l], 2-33
 Shock Absorber, 2.3 Strk, 2-101
 Shoe, Brake, 2-97
 Skirt, 2-115, 2-117, 3-77
 Skirt, Brush Door, 2-9, 2-11
 Skirt, Deflection, 2-9, 2-11
 Skirt, Deflector, 2-7
 Skirt, Deflector, Air, 2-83, 2-85
 Skirt, Firewall, Rh, 3-35
 Skirt, Front, Sbdc, 3-77
 Skirt, Hopper, 2-7
 Skirt, Hppr, Plstc, 2-2, 2-105, 3-65, 3-77
 Skirt, Hppr, Rear, 2-2, 2-107
 Skirt, Lip, 2-2, 2-105
 Skirt, Recirculation, Turf, 2-7
 Skirt, Seal, Main Brush, 2-7
 Skirt, Side, Sbdc, Lh, 2-2, 2-107
 Sleeve, Dashpo, Pump, Hyd, Gear, 4-7
 Sleeve, Nyl, #13 14.7l, 3-31
 Sleeve, Nyl, #27 20.0l, 2-131
 Sleeve, Nyl, #27 30.0l, 2-141
 Sleeve, Nyl, #27 45.0l, 3-69
 Sleeve, Nyl, #33 60.0l, 3-39, 3-41, 3-43, 3-45
 Sleeve, Nyl, 17 20.0L, 2-109, 2-111
 Sleeve, Nyl, 27 16.0l, 2-143
 Sleeve, Nyl, 27 30.0l, 2-125, 2-143, 3-65
 Sleeve, P/M, 0.496d 0.318b 0.50l 430ss, 2-97, 2-99, 2-127, 2-129, 3-67
 Sleeve, P/M, 0.496d 0.318b 1.25l 430ss, 2-69, 2-71
 Sleeve, Throttle [Bosch], Plstc, 2-49
 Solenoid, 12v, Valve, Hyd, 4-11
 Solenoid, Filter Shaker, 2-119, 2-121
 Spacer Plate, 4-10
 Spacer, Brkt, Latch, 2-19
 Spacer, Coil, 4-17
 Spacer, Duct, 3-37
 Spacer, Fan, 2-63, 2-65
 Spacer, Fan, Taper [2007], 2-65
 Spacer, Handle, 3-61
 Spacer, Hinge, 3-61, 3-63
 Spacer, Sppt, Filter Lock Off, 2-49
 Spacer, Steel, Condenser, A/C, 4-19
 Spacer, Strap, Adj, Alternator, 2-63, 2-65
 Spacer, Valve, Strg, 4-13
 Sparkplug, 2-2, 2-3, 5-12
 Sparkplug [Gm], 2-3
 Spindle, Adjustment, 2-21
 Spring, 2-7, 2-97, 4-7
 Spring, Cmpr, 0.970d .11wir 5.5l, 2-23
 Spring, Extn, 0.380d X 0.05wir, 2.5l, 2-17
 Spring, Extn, 0.500d X 0.06wir, 1.8l, 3-51, 3-59
 Spring, Extn, 0.750d X 0.06wir, 3.5l, 2-113

Spring, Extn, 0.750d X 0.11wir, 4.5l, 2-127, 3-67
 Spring, Extn, 0.750d X 0.12wir, 4.3l, 2-103
 Spring, Extn, 1.120d X 0.14wir, 6.3l, 2-125, 3-65
 Spring, Extn, 1.390d X 0.15wir, 9.0l, 2-129
 Spring, Extn, 1.750d X 0.23wir, 7.5l, 3-71
 Spring, Extn, 0.430d 0.05wir 01.4l, 2-119, 2-121
 Spring, Motor, Hyd, 4-7
 Spring, Tors, 0.54id .11wir 06.0coil, 2-23
 Spring, Tors, 1.13id .12wir 02.3coil Rh, 2-99
 Spring, Valve, 5-3
 Spring, Valve, Relief, Oil Press, 5-7
 Sprocket, Camshaft [Fd], 5-11
 Sprocket, Pump, Water, 5-7
 Starter, 12vdc [Delco] (Mar. 2006 and Newer), 5-5
 Starter, 12vdc [Gm] (Before Mar. 2006), 5-5
 Steer-Control, Hyd, 4-13
 Steer-Control, Hyd (See Breakdown), 2-23
 Strainer, Hyd, 25gpm 100mesh Psi, 2-2, 2-3, 2-139
 Strainer, Hyd, 25gpm 100mesh Psi, 2-3
 Strap, 2-9, 2-11, 2-79, 2-81
 Strap Wldt, Tank, .06th X 1.0w, 37.7l, 2-73, 2-75, 2-77
 Strap, Adj, Alternator, 2-63, 2-65
 Strap, Door, Dump, Side, 2-2, 2-109, 2-111
 Strap, Hose, 3-61, 3-63
 Strap, Main, Lip, 2-2, 2-105
 Strap, Mtg, Cuff, 3-61, 3-63
 Strap, Muffler Hanger, 2-67
 Strap, Rbr, Tie-Down, 2/Hooks 19.0l, 2-89, 3-63
 Strap, Wiper, Door, 2-105, 2-111
 Strip, Door, Hppr, 2-107
 Strip, Plstc, 0.03 10.38w 19.0l, 2-113
 Strip, Rbr, 0.13 00.75w 10.3l, 3-55, 3-57
 Strip, Rbr, 0.13 01.00w 02.0l, 2-99
 Strip, Rbr, 0.13 01.00w 03.5l, 2-139
 Strip, Rbr, 0.13 01.25w 08.8l, 3-55, 3-57
 Strip, Rbr, 0.13 01.50w 07.0l, 2-139
 Strip, Rbr, 0.13 02.00w 7.2l, 3-61, 3-63
 Strip, Rbr, 0.25 01.50w 03.5l, 3-71
 Strip, Retainer, Hppr, 2-107
 Strip, Retainer, Sbdc, 3-77
 Strip, Retainer, Skirt, 3-77
 Strip, Retaining, 2-9, 2-11
 Strip, Steel, 3-35
 Stud, Ball, .39d .31-16, Gasspring, 2-19, 3-51, 3-59, 3-69
 Stud, Ball, .39d .31-18, .75l, 2-113
 Stud, M10 X 1.50 [35], 2-69, 2-71
 Stud, Manifold, M8 X 28, 5-9
 Stud, Manifold, M8 X 96, 5-9
 Stud, Starter, M08 X 1.25, 5-5

Stud, Wheel, .50-20 X 1.50, 2-93
 Switch Assy, Press, 12vdc 02a Spst No, 2-147
 Switch, Binary, A/C, 4-19
 Switch, Ign, 2-25
 Switch, Indicator, Oil Press, 2-33, 2-37, 5-7
 Switch, Press, 12vdc A Spdt N 0011psi, 2-119, 2-121
 Switch, Press, 12vdc 02a Dpdt N 0006psi, 2-31, 2-35
 Switch, Press, 12vdc 08a Spst Nc 0070psi, 2-79, 2-81
 Switch, Press, Dpdt 0006psi, 2-33, 2-37
 Switch, Push, 12vdc 80a Spst No, 2-27
 Switch, Rocker, 28vdc 15a Dpdt On/Of/On, 3-33, 3-52, 3-69
 Switch, Rocker, 28vdc 15a Spst On/Of, 3-33, 3-52
 Switch, Rocker, 36vdc 05a Dpdt On/Of/On, 2-25
 Switch, Snap Actn, 12vdc 15a Nc Rlr, 3-3
 Switch, Snap Actn, 12vdc 15a No Rlr, 2-123, 3-21, 3-23
 Switch, Turn Signal, 12vdc Rwk 60750, 3-3

T

Taillight, 12vdc, 6.6 X 3.1, Rwk 59948, 2-7
 Tank, Coolant, 04.7 03.3 4.7deep, 1liter, 2-87, 2-88
 Tank, Coolant, 06.0 04.5 06.9deep 2.5 Qt, 2-87, 2-88
 Tank, Fuel, 9.4 Gal, 2-73, 2-75
 Tank, Fuel, 9.4 Gal [6600/6650 2007], 2-77
 Tank, Lpg, 33lb, W/ Gauge [Empty] [Liq], 2-79, 2-81
 Terminal, Bullet, Mal, .157d, 12ga, 3-5, 3-7, 3-9, 3-11, 3-13, 3-15, 3-17, 3-19
 Terminal, Ring, .25stud 16-14ga, Ins, 3-5, 3-7, 3-9, 3-11, 3-13, 3-15, 3-17, 3-19
 Terminal, Tab, .25 .19h .84l, 2-33, 2-37
 Thermostat, 2-121
 Thermostat, A/C, 4-20
 Thermostat, W/ Hsng And Seal, 5-3
 Tie, Cable, Nyl, 07.3l .19w 1.8 Max D, 2-87, 2-88, 2-89, 2-91, 2-119, 2-121, 3-3, 3-5, 3-7, 3-9, 3-11, 3-13, 3-15, 3-17, 3-19, 3-21, 3-23, 3-69
 Tie, Cable, Nyl, 11.4l .19w 3.0 Max D, 2-23, 2-25, 3-52, 3-65
 Tie, Cable, Nyl, 11.5l .19w, 2-47
 Tie, Cable, Nyl, 15.3l . W 4.5 Max D, 3-43, 3-45
 Tie, Cable, Nyl, 28.5l .50w 8.0 Max D, 2-87, 2-88
 Tie, Cable, Nyl, 29.8l .30w 9.0 Max D, 2-7

CROSS REFERENCE

Timer, 2-29
Tip, Rbr, 0.94d 0.59b 0.88l, 2-17
Tire & Wheel Assy, Solid, Turf Non-Mark, 3-84
Tire Assy, Foam, 570/500-08 4.5bc/5bolt, 3-83
Tire Assy, Pneu, 570/500-08 4.5bc/5bolt, 2-95, 3-82
Tire Assy, Solid, 18.0x4.3 4.5bc/5bolt, 3-80, 3-81
Tire Assy, Solid, 18.0x5.0 1.56b, 2-97
Tire Assy, Solid, 18.0x5.0, W/ Brg, 3-86
Tire Assy, Solid, 18.0x7.0, W/ Brg, 3-85
Tire, [5.70/5.00r-8], High Wear, [lc80], 3-82
Tire, Solid, 18.0 X 5.0 Non-Mark [Mn], 3-86
Tire, Solid, 18.0 X 5.0 X 12.1 No Rim, 2-97
Tire, Solid, 18.0 X 7-8/4.33 [Sc10 Nm], 3-80
Tire, Solid, 18.0 X 7.0 Non-Mark [Mn], 3-84
Tire, Solid, 18.0 X 7.0 Turf [Mn], 3-85
Tire, Solid, 18.0 X 7.0 X8.0 [4.33 Sc15], 3-81
Tire, W/Tube & Flap, 2-95
Tray, Battery (6650XP Only), 2-91
Tray, Mtg, Tank, Fuel, 2-73, 2-75, 2-77
Tread, Non-skid, 02.2w 15.5l, 2-101, 3-31
Tread, Non-Skid, 08.W 17.0l, 2-13
Tube, 2-107
Tube [Pcv], 5-3
Tube Wldt, 2-131
Tube Wldt, Exhaust, 1.6d, 2-71
Tube Wldt, Hppr, 3-61, 3-63
Tube Wldt, Leg, Ohg, Lh, White, [355], 3-25
Tube Wldt, Leg, Ohg, Rh, White, [355], 3-25
Tube Wldt, Sppt, Blower Wand, 3-55
Tube Wldt, Sppt, Blower, Wand, 3-57
Tube Wldt, Tee, 2-59, 2-61
Tube, 00.38d 00.28b 00.6l Stl, 2-83, 3-31
Tube, 00.51d 00.33b 00.8l Stl Plt, 2-99
Tube, 00.52d 00.26b 00.8l Stl Plt, 3-69
Tube, 00.68d 00.56b 01.0l Stl Plt, 3-69
Tube, 00.75d 00.25b 00.8l Stl Plt, 2-93
Tube, 01.00d 00.38b 00.4l Stl Plt, 2-13
Tube, 01.00d 00.50b 02.7l Stl Plt, 3-71
Tube, 01.75d 01.31b 00.3l Stl Pl, 2-123
Tube, Air Bleed, .62d 2.2l .12npt Alum, 2-41, 2-43, 2-50
Tube, Bleed, Air, .62od 2.2l .12npt, Alm, 2-53
Tube, Coolant, 1.3d Lower [6600/6650], 2-85

Tube, Coolant, 1.3d Lower, [6600/6650], 2-83
Tube, Ds, 5-8
Tube, Exhaust, 1.6d 1.70d 1.60d, 2-67
Tube, Exhaust, Flng, 2-69, 2-71
Tube, Hyd, 12 Jf12/Jm12, 2-141, 2-143
Tube, Intake, 2.0d 02.0l Flange, 2-57, 2-59, 2-61
Tube, Plstc, 0.31od 0.25id 00.5l, Blk, 2-131
Tube, Plstc, 3.00d 2.90b 04.0l Clear, 3-55, 3-57
Tube, Plstc, 3.00d 2.90b 16.0l Clear, 3-55, 3-57
Tube, Plstc, 3.00d 2.90b 48.0l Clear, 3-55, 3-57
Tube, Rnd, 0.50d 0.38b 00.6l, Ss, 2-103
Tube, Vacuum Wand W/ Label, 3-63
Tube, Wand, 3-61, 3-63
Tube, Wand, Vacuum, 3-61
Tube, Wldt, Tee, 3-39, 3-43

V

Valve Assy, Relief, 4-13
Valve Stem, N.O.Valve, Hyd, 4-11
Valve, Body, Throttle, Lpg, 2-50
Valve, By-Pass, Oil Filtr, 5-8
Valve, Check, 2-49
Valve, Cntrl, Hyd [6650], 4-17
Valve, Cntrl, Hyd [6650] (See Breakdowns), 2-147
Valve, Drain, A/C, 4-20, 4-21
Valve, Exhaust, 5-3
Valve, Hyd, Cartridge, 4-11
Valve, Intake, 5-3
Valve, Lock Off, 2-53
Valve, Lpg, Press Relief, [Rego], 2-79, 2-81
Valve, Motor, Hyd, 4-7
Valve, Relief, 4000 Psi, 4-3
Valve, Relief, Oil Press, 5-7
Valve, Trim, Fuel, Normal Flow, 2-50
Valve, Water, Heater, H, 10bm, 3-39, 3-41, 3-43, 3-45
Vaporizer, Reg, Primary, 13.5psi, 2-45, 2-47
Video, Operator [6650] Vhs Ntsc, 3-89

W

Wand Kit, Vacuum, W/ Cab, Ci, 3-63
Washer, 4-3, 5-3
Washer, .19b .44b .03, Nyl, 2-25
Washer, 0.28b 1.00d .06, Stl, 2-19
Washer, 0.34b 1.50d .12, Stl, Pl, 2-105, 2-109, 2-111, 2-119
Washer, 0.39b 0.75d .06, Nyl, 3-31
Washer, 0.53b 1.75d .12, Stl, Pl, 2-117, 2-131
Washer, 0.53b 1.88d .12, Stl, Pl, 2-31, 2-33, 2-35, 2-37

Washer, 0.56b 3.03d .25, Stl, Pl, 2-117
Washer, 1.28b 1.75d .08, Stl, Pl, 2-123
Washer, 1.28b 1.75d .25, Stl, Pl, 2-123
Washer, 1.39b 2.12d .13, Stl, 2-93
Washer, 2.16b 3.50d .16, Felt, 2-93
Washer, Belleville, .31, 2-21, 2-103, 2-131, 3-51, 3-59
Washer, Belleville, .38, 2-9, 2-11
Washer, Belleville, .50, 2-15, 2-17, 2-115, 2-117, 2-131
Washer, Flat, .38 Sae, 2-31, 2-33, 2-35, 2-37, 2-67, 2-97, 2-131, 2-133, 2-145, 3-47
Washer, Flat, .38, Hardened, 2-63, 2-65
Washer, Flat, #06, 2-117
Washer, Flat, #08, 2-119, 2-121, 3-33, 3-61, 3-63
Washer, Flat, #10, 2-29, 3-5, 3-7, 3-9, 3-11, 3-13, 3-15, 3-17, 3-19
Washer, Flat, #10 Sae, 3-77
Washer, Flat, #10 Ss, 2-123, 3-37, 3-55, 3-57
Washer, Flat, 0.25 Fender, 2-23, 2-85, 2-105, 2-113, 2-115, 2-133, 2-141, 3-37, 3-77
Washer, Flat, 0.25 Sae, 2-7, 2-13, 2-19, 2-21, 2-29, 2-31, 2-35, 2-41, 2-43, 2-50, 2-73, 2-75, 2-77, 2-83, 2-85, 2-129, 2-143, 3-5, 3-7, 3-45, 3-51, 3-55, 3-57, 3-59, 3-61, 3-63, 3-67, 3-71
Washer, Flat, 0.25 Ss, 2-2, 2-7, 2-9, 2-11, 2-105, 2-107, 2-109, 2-111, 2-115, 2-117, 2-131, 3-35, 3-65, 3-77
Washer, Flat, 0.25 Std, 2-13, 2-15, 2-17, 2-21, 2-25, 2-31, 2-33, 2-35, 2-37, 2-41, 2-49, 2-73, 2-77, 2-79, 2-81, 2-83, 2-85, 2-87, 2-88, 2-99, 2-107, 2-113, 3-51, 3-59, 3-65, 3-71
Washer, Flat, 0.25, Sae, 2-54
Washer, Flat, 0.25, Std, 2-43, 2-53
Washer, Flat, 0.28b 1.00d .06, Stl, 2-47
Washer, Flat, 0.31 Fender, 2-67, 2-91
Washer, Flat, 0.31 Sae, 2-41, 2-43, 2-65, 2-89, 2-91, 2-93, 2-97, 2-99, 2-103, 3-3, 3-29, 3-39, 3-41, 3-43, 3-45, 3-47, 3-61, 3-69
Washer, Flat, 0.31 Ss, 2-2, 2-7, 2-9, 2-11, 2-19, 2-105, 2-107, 2-109, 2-111, 2-113, 2-121, 3-23, 3-65
Washer, Flat, 0.31 Ss (6650 XP Only), 2-125
Washer, Flat, 0.31 Std, 2-7, 2-13, 2-15, 2-17, 2-19, 2-25, 2-27, 2-57, 2-59, 2-61, 2-67, 2-69, 2-71, 2-73, 2-75, 2-77, 2-79, 2-81, 2-85, 2-91, 2-93, 2-101, 2-107, 2-113, 2-129, 2-133, 2-139, 2-141, 2-143, 2-147, 3-3, 3-9, 3-11, 3-21, 3-23, 3-39, 3-41, 3-43, 3-45, 3-71, 3-72, 3-75
Washer, Flat, 0.31, Hardened, 2-63, 2-65, 5-9

Washer, Flat, 0.31, Std, 2-65, 3-31
 Washer, Flat, 0.34b 1.12d .12, Stl, Pl,
 2-105
 Washer, Flat, 0.38 Sae, 2-59, 2-61, 2-65,
 2-85, 3-49
 Washer, Flat, 0.38 Std, 2-17, 2-21, 2-23,
 2-27, 2-31, 2-33, 2-35, 2-37, 2-57,
 2-83, 2-101, 2-103, 2-125, 2-127,
 2-129, 2-133, 2-147, 3-25, 3-51,
 3-59, 3-65, 3-67, 3-69, 3-75, 3-79
 Washer, Flat, 0.38, Hardened, 2-53
 Washer, Flat, 0.40b 1.12d .12, Stl, Pl,
 2-85
 Washer, Flat, 0.50 Sae, 2-15, 2-67, 2-69,
 2-71, 2-97, 2-109, 2-111, 3-25,
 3-55, 3-71
 Washer, Flat, 0.50 Ss, 2-9, 2-11
 Washer, Flat, 0.50 Std, 2-15, 2-17, 2-31,
 2-33, 2-35, 2-37, 2-125, 2-127,
 3-31, 3-65, 3-67, 3-69, 3-71
 Washer, Flat, 0.50, Sae, 2-115
 Washer, Flat, 0.62 Sae, 2-19
 Washer, Flat, 0.62 Std, 2-115
 Washer, Flat, 0.75 Sae, 2-93
 Washer, Flat, 1.00 Sae, 2-97
 Washer, Flt, 4-5
 Washer, Flt, #10, 2-25, 2-39, 2-45, 2-47,
 2-63, 2-65, 3-3, 3-43, 3-51, 3-55,
 3-57, 3-59, 3-61
 Washer, Flt, Pump, Hyd, 4-3
 Washer, Lock, Int-Ext, .25, 2-31, 2-33,
 2-35, 2-37
 Washer, Lock, Int-Ext, .31, 2-7, 3-3
 Washer, Lock, Int-Ext, .38, 2-7, 2-63,
 2-65
 Washer, Lock, Int-Ext, #10, 2-73, 2-75,
 2-77, 3-3, 3-21, 3-23
 Washer, Lock, Int, .31, 2-63
 Washer, Lock, Int, #06, 2-73
 Washer, Lock, Int, #08, 2-75, 2-77
 Washer, Lock, Int, #10, 2-75, 2-77
 Washer, Lock, Int, 0.25, 2-119, 2-121
 Washer, Pump, Hyd, 4-3
 Washer, Rbr, .19 1.25b 2.00d, 2-109,
 2-111
 Washer, Sheave, Cshft, 5-5
 Washer, Sprkt, Camshaft, 5-11
 Weight Wildt, Counter, Aux Side Brush,
 3-71
 Weight, Counter (6650 XS Gasoline Only),
 2-15
 Wheel, Steering, 2-23
 Wire Assy, 06Ga 13.0L Blk .41H/.41H,
 2-31, 2-33, 2-35, 2-37
 Wire Set, Sparkplug [1.6], 5-12
 Wire, 06ga 012.0l Red .38h /.38h, 2-63
 Wire, Ground, 2-63, 2-65



We Need Your Help...

As part of Tennant's Zero Defects Program, we want to know about errors you have found or suggestions you may have regarding our machine manuals. If you find an error or have a suggestion, please complete this postage-paid form and mail it to us. Thank you for helping us make zero defects a way of life at Tennant.

Manual No. _____ Rev. No. _____ Publish Date _____ Page _____
Machine _____ Report Error Suggestion

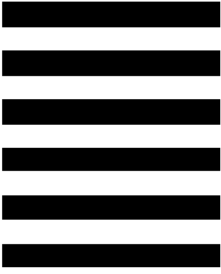
Name _____ Date _____
Customer Number _____
Company _____
Address _____
City/State/Zip Code _____



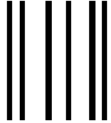
TENNANT COMPANY
 Technical Publications #15
 701 North Lilac Drive
 P.O. Box 1452
 Minneapolis, MN 55440-9947

POSTAGE WILL BE PAID BY ADDRESSEE

BUSINESS REPLY MAIL
 FIRST CLASS MAIL PERMIT NO. 94 MINNEAPOLIS, MN



NO POSTAGE
 NECESSARY
 IF MAILED
 IN THE
 UNITED STATES



Fold along dotted lines

Tape here

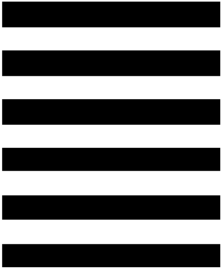




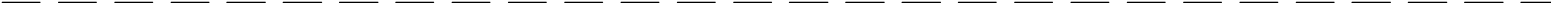
TENNANT COMPANY
 Technical Publications #15
 701 North Lilac Drive
 P.O. Box 1452
 Minneapolis, MN 55440-9947

POSTAGE WILL BE PAID BY ADDRESSEE

BUSINESS REPLY MAIL
 FIRST CLASS MAIL PERMIT NO. 94 MINNEAPOLIS, MN



NO POSTAGE
 NECESSARY
 IF MAILED
 IN THE
 UNITED STATES



Fold along dotted lines

Tape here

