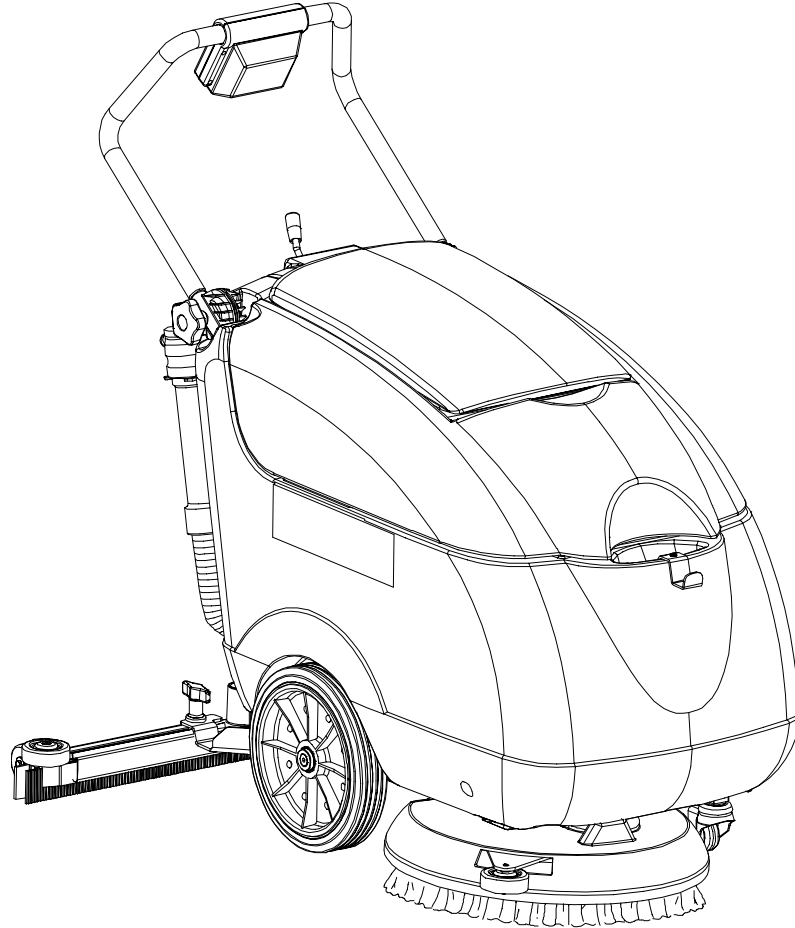


# Micromatic™ M17B

---

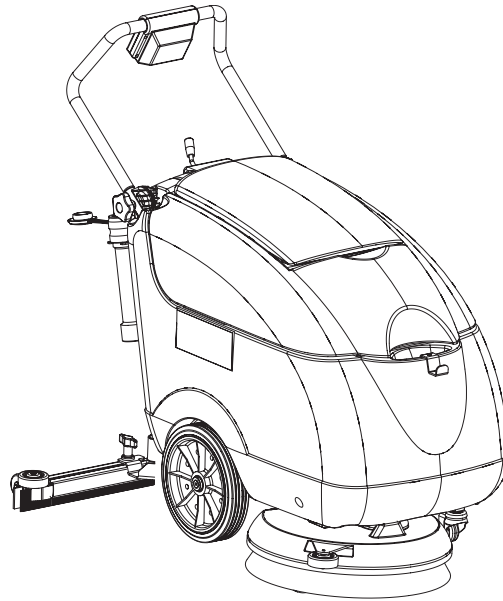


---

## PARTS LIST

Advance model: 908 7057 020





## DESCRIPTION

## PLAN

SOLUTION TANK	2 - 3
VACUUM SYSTEM	4 - 5
RECOVERY TANK	6 - 9
HANDLE ASSEMBLY	10 - 11
SOLUTION SYSTEM	12 - 13
SQUEEGEE SYSTEM	14 - 15
BRUSH SYSTEM	16 - 19
WIRING SYSTEM	20 - 21
ACCESSORIES	22 - 23
WIRING DIAGRAM	24 - 25
RECOMMENDED SPARE PARTS	26 - 27

### WHEN ORDERING PARTS

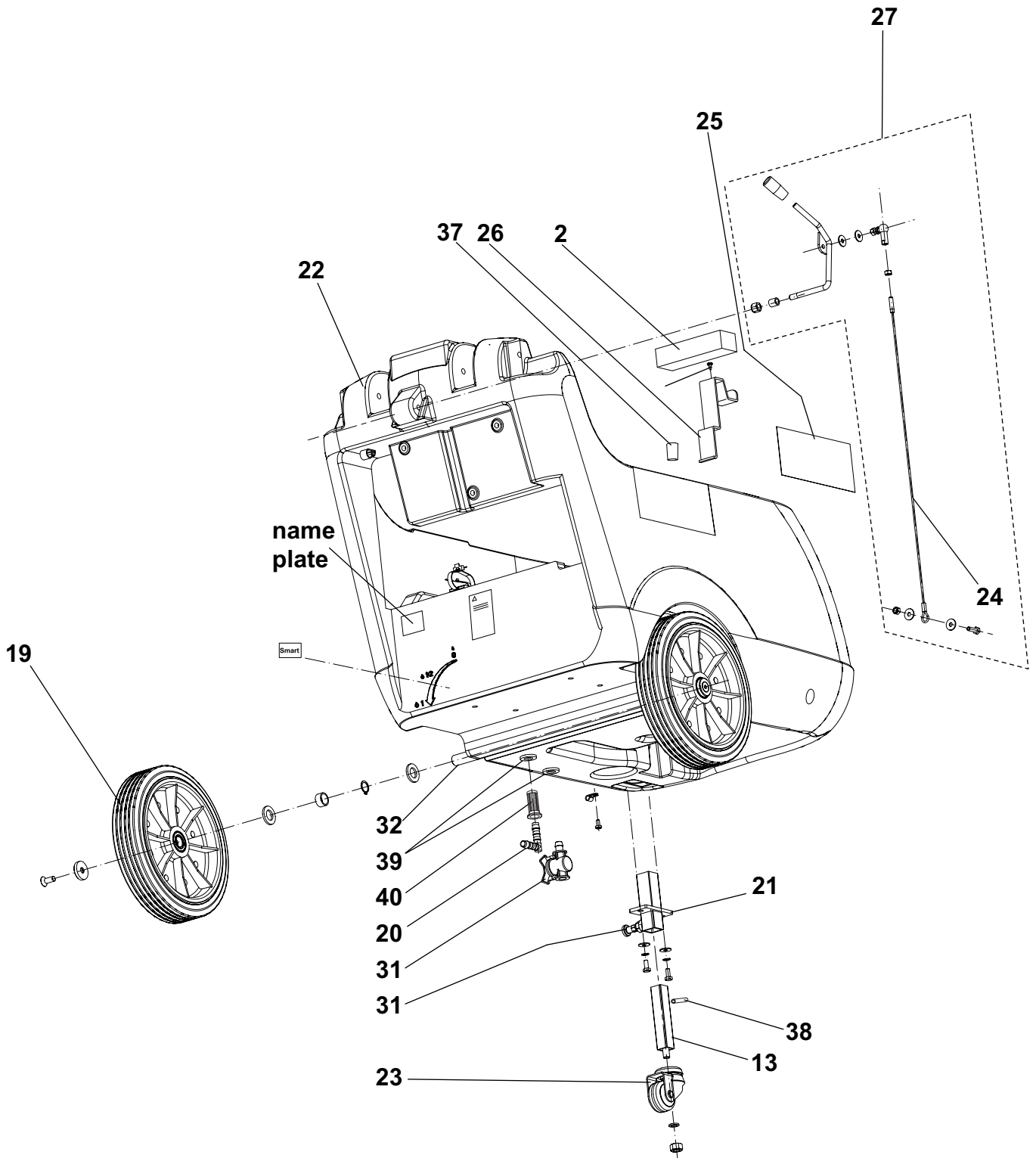
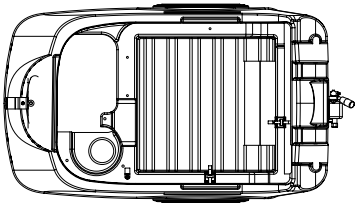
- \* Use the 8, 9 or 10 digit numbers from the "Ref. No." columns in this parts list.
- \* Specify the model and serial number of the machine.
- \* Use the space below to record the model and serial number for future reference.

Model \_\_\_\_\_ Serial No. \_\_\_\_\_

**\* = Optional**

**# = Modified item No. or New item No.**

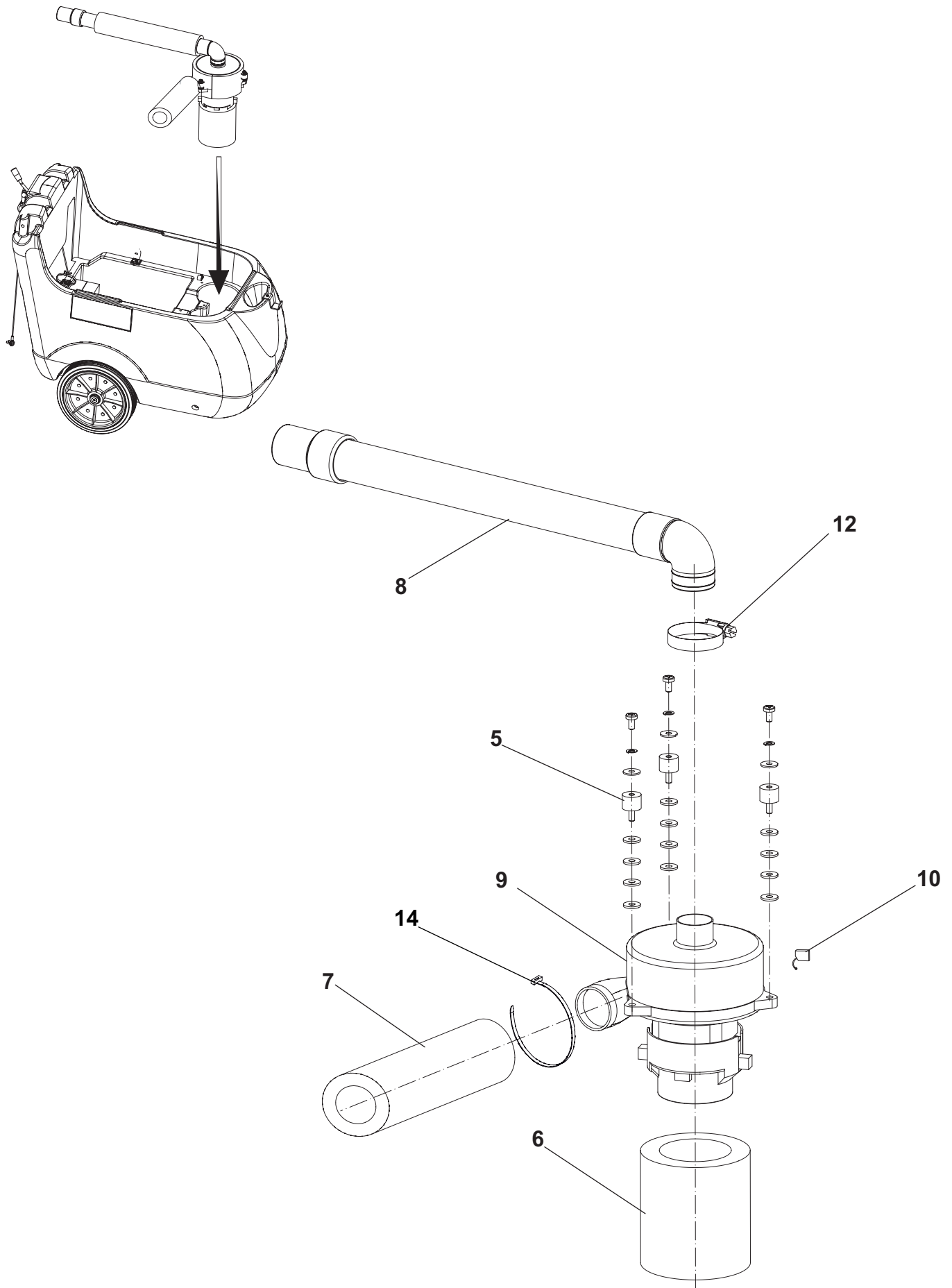
**[ ] = Not shown**



2005-01	SOLUTION TANK		
2008-11	MICROMATIC™ M17B		3

Item	Ref. No.	Qty	Description
2	909 5674 000	1	SPONGE FRESH WATER INLET
13	909 5658 000	1	SUPPORTING ROD
19A	9096915000	2	WHEEL
20	909 5895 000	1	ELBOW 90° Ø10
21	909 5285 000	1	SUPPORT
22	909 5551 000	1	SOLUTION TANK
23	909 5560 000	1	WHEEL
24	909 5573 000	1	SQUEEGEE LIFTING CABLE
25	909 5976 000	1	KIT DECALS MICROMATIC™ M17B
26	909 5644 000	1	BRACKET
27	909 5700 000	1	KIT SQUEEGEE LIFT CABLE
30	909 5641 000	1	INDEXING PLUNGER
31	909 5696 000	1	VALVE
32	909 5748 000	1	SHAFT, WHEELS
[33]	909 5986 000	1	SOLUTION TANK HARDWARE KIT
37	909 6236 000	1	BLACK CAP
38	909 6441 000	1	PIN 3X20
39	909 5286 000	2	GASKET
<b>40*A</b>	<b>9096916000</b>	<b>1</b>	<b>FILTER</b>
[41]	909 6226 000	1	RUBBER SHOCK ABSORBER KIT
[42]	909 6227 000	1	INSTALLATION INSTRUCTION FOR RUBBER SHOCK ABSORBER KIT

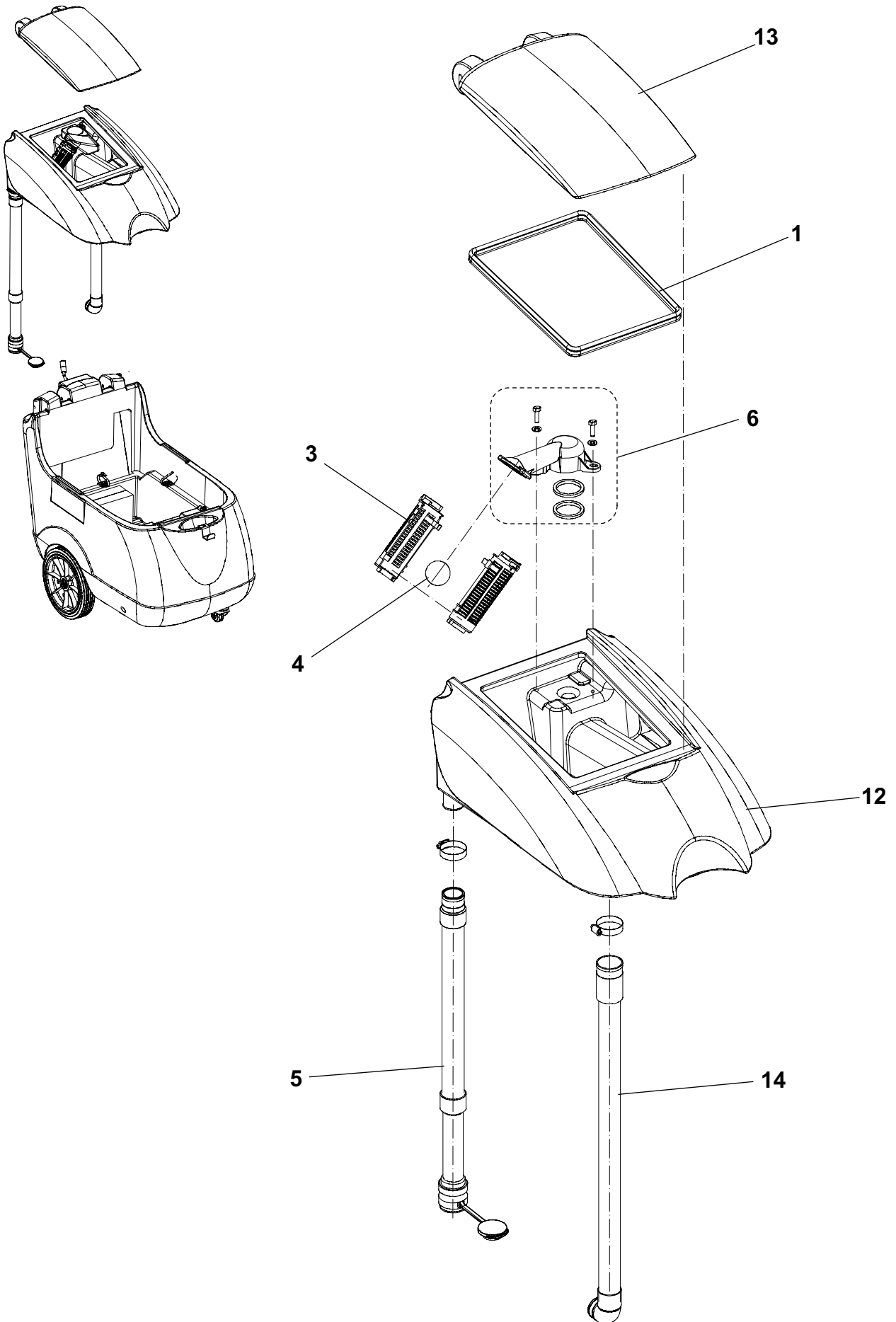
A: SEE TSB IT 2007-015



2005-01	VACUUM SYSTEM			
2009-11	MICROMATIC™ M17B			5

Item	Ref. No.	Qty	Description
5	909 5198 000	3	VIBRATION DAMPING M6
6	909 5564 000	1	PIPE ACOUSTIC INSULATION
7	909 5565 000	1	PIPE ACOUSTIC INSULATION
8	909 5579 000	1	VACUUM MOTOR HOSE
9A#	9098233000	1	KIT VACUUM MOTOR WITH CONNECTOR
10	909 5371 000	2	CARBON BRUSH
10A	9098231000	1	CARBON BRUSH KIT
[11]	909 5987 000	1	VACUUM SYSTEM HARDWARE KIT
12	145 0543 000	1	CLAMP
14	L08812587	1	CLAMP 4,8X430 WHITE
[15]	9098474000	1	HARDWARE VACUUM MOTOR FIXING KIT

**A STARTING FROM SERIAL NUMBER 093718588**





2005-01	RECOVERY TANK			
2009-11	MICROMATIC™ M17B - Before machine S/N 054418642			7

Item	Ref. No.	Qty	Description
1	909 5716 000	1	GASKET
3	56324497	2	FLOAT CAGE
4	56391690	1	FLOATING BALL
5#	9098255000	1	DRAIN HOSE
6A	9097728000	1	CAGE FLOAT HOLDER KIT
[7]A	9097729000	1	INSTRUCTIONS INSTALLATION CAGE FLOAT HOLDER KIT
12B	909 6061 000	1	RECOVERY TANK KIT
13	909 5553 000	1	TANK COVER
14	909 5578 000	1	SUCTION HOSE
[17]	909 5988 000	1	RECOVERY TANK HARDWARE KIT

A: SEE TSB IT 2008-009  
B: SEE TSB IT 2006-001

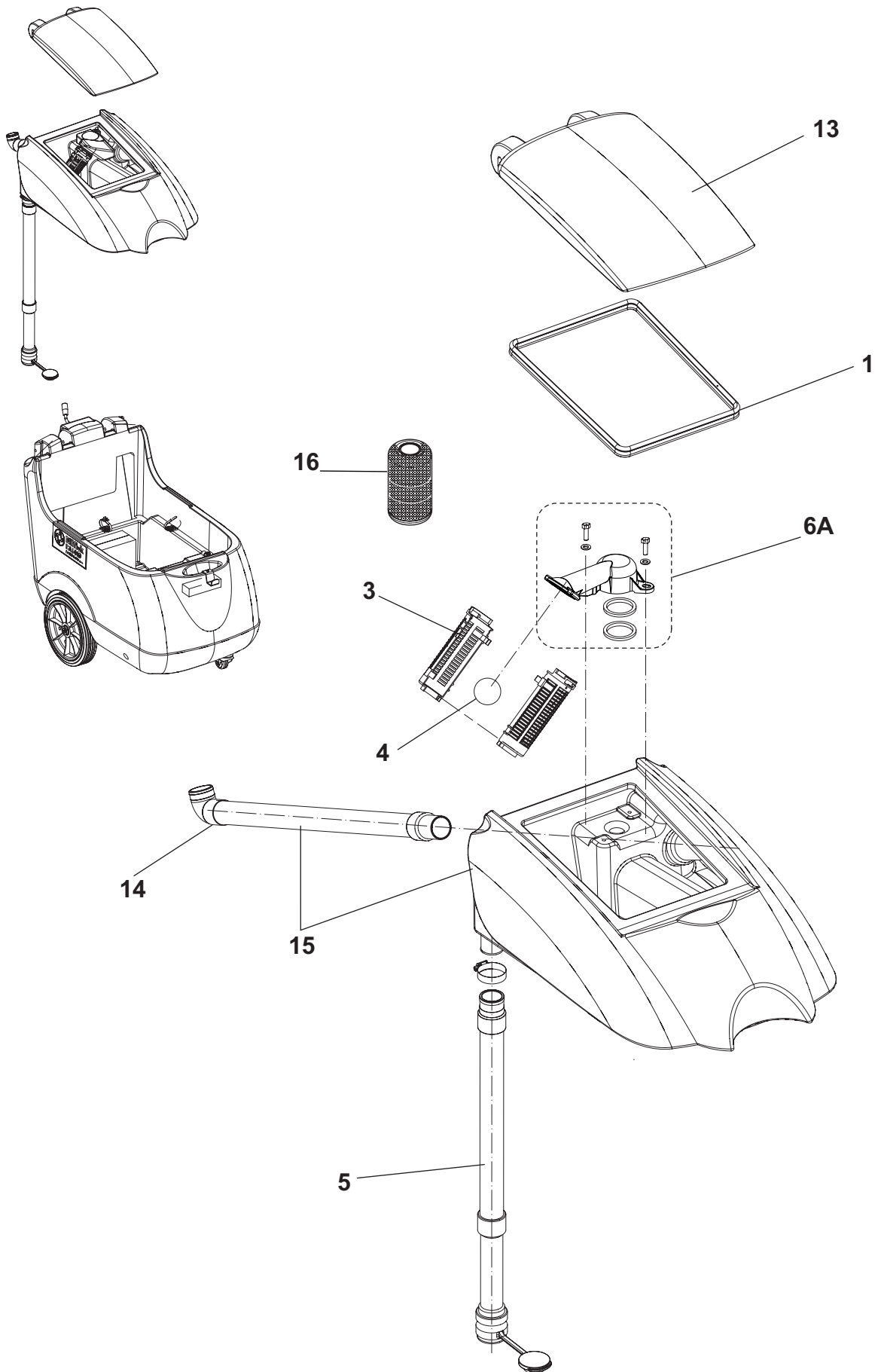
RECOVERY TANK

2005-01

8

MICROMATIC™ M17B - From machine S/N 054418642

2009-11



2005-01	<b>RECOVERY TANK</b>			
2009-11	<b>MICROMATIC™ M17B</b> - From machine S/N 054418642			<b>9</b>

Item	Ref. No.	Qty	Description
1	909 5716 000	1	GASKET
3	56324497	2	FLOAT CAGE
4	56391690	1	FLOATING BALL
5#	9098255000	1	DRAIN HOSE
6A	9097728000	1	CAGE FLOAT HOLDER KIT
0A	9097729000	1	INSTRUCTIONS INSTALLATION CAGE FLOAT HOLDER KIT
13	909 5553 000	1	TANK COVER
14	909 6060 000	1	SUCTION HOSE
15	909 6061 000	1	KIT RECOVERY TANK + SUCTION HOSE
16#	909 5065 000	1	ANTIFOAMING FILTER
[18]	909 5988 000	1	RECOVERY TANK HARDWARE KIT

A: SEE TSB IT 2008-009

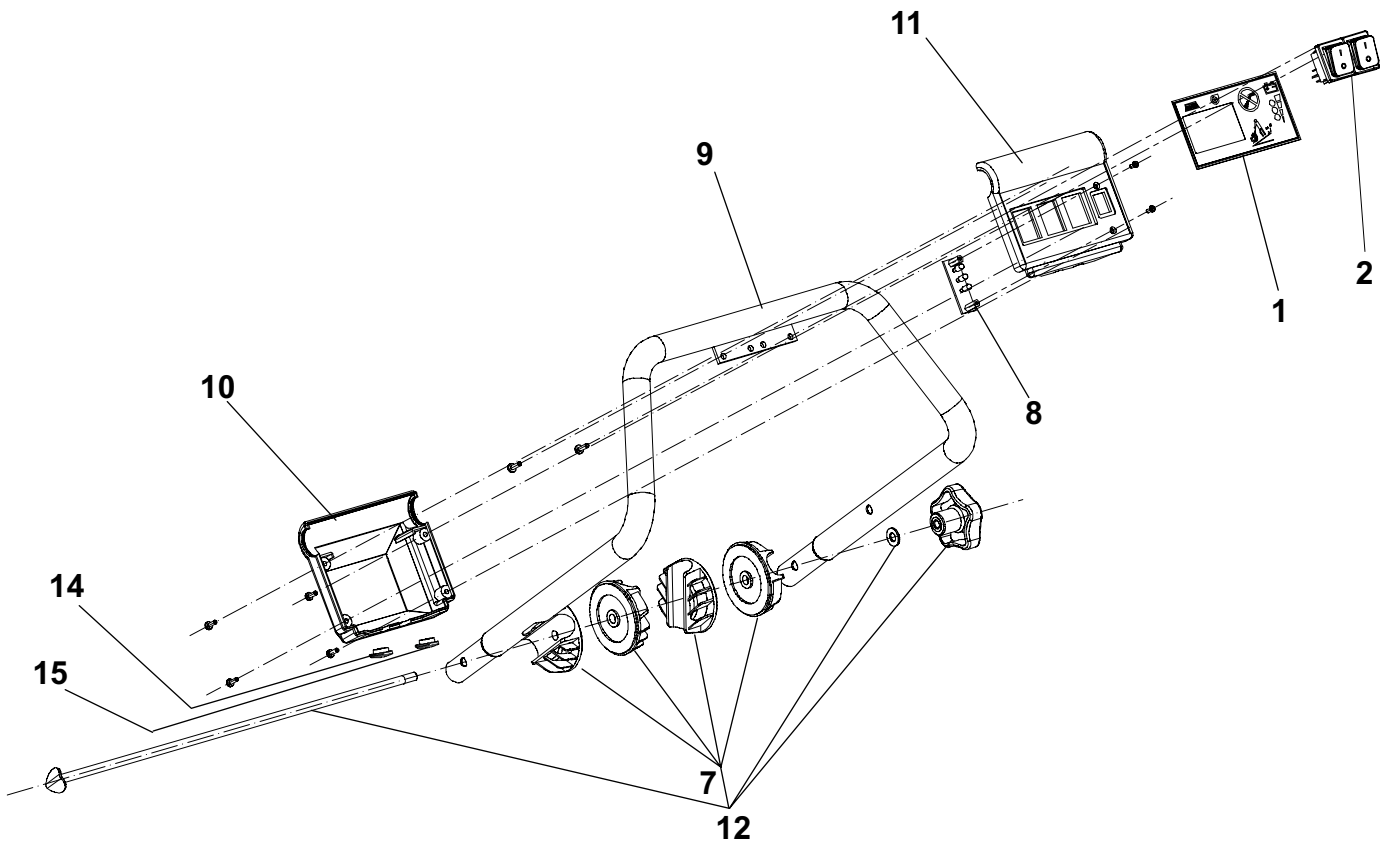
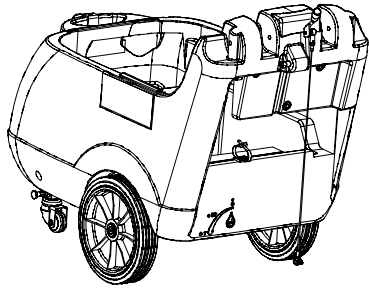
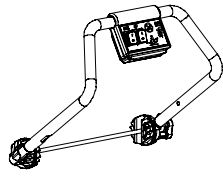
HANDLE ASSEMBLY

2005-01

10

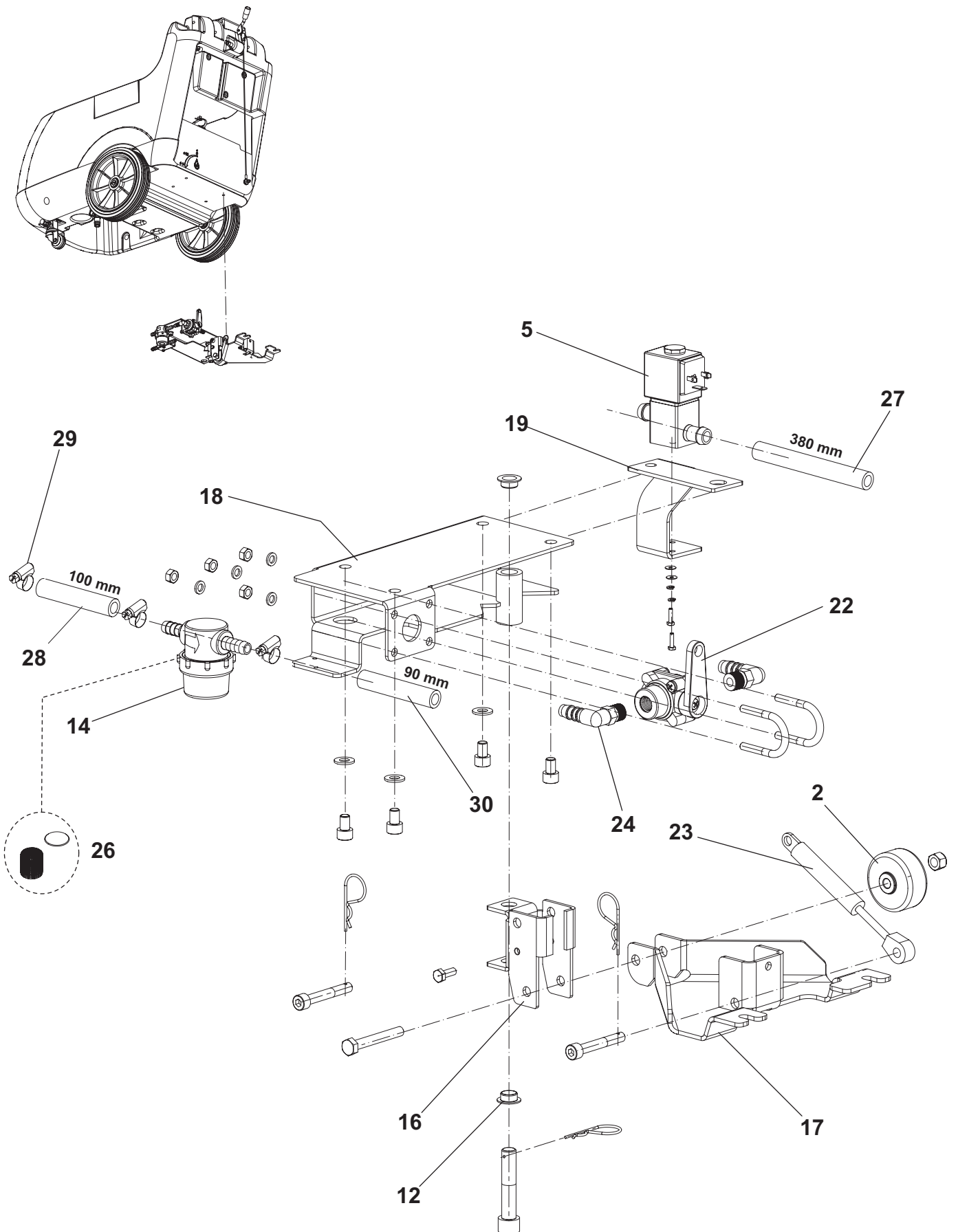
MICROMATIC™ M17B

2008-11



2005-01	<b>HANDLE ASSEMBLY</b>			
2008-11	<b>MICROMATIC™ M17B</b>			<b>11</b>

Item	Ref. No.	Qty	Description
1	909 5587 000	1	DECAL CONTROL PANEL
2	909 5584 000	2	SWITCH
7	909 5099 000	1	HANDLE ADJUSTER KIT
8	L08812909	1	LED CARD
9	909 5563 000	1	HANDLE BAR
10	909 5847 000	1	SWITCH HOUSING LOWER
11	909 5846 000	1	SWITCH HOUSING UPPER
12	909 5701 000	1	HANDLE ADJUSTING KIT (7)
[13]	909 5995 000	1	HANDLE ASSEMBLY HARDWARE KIT
14	145 4259 000	1	CAP Ø 11.9
15	145 4260 000	1	CAP Ø 14.7



2005-01	<b>SOLUTION SYSTEM</b>		
2008-11	<b>MICROMATIC™ M17B</b>		<b>13</b>

Item	Ref. No.	Qty	Description
2	L08603665	1	WHEEL
5C	9097738000	1	SOLENOID VALVE 24V
12	146 0549 000	2	BUSHING
14B	9097166000	1	KIT WATER FILTER COMPLETE
16A	909 5566 000	1	BRACKET
17B	909 5567 000	1	SUPPORT
18	909 5571 000	1	PLATE
19C	9097866000	1	BRACKET SOLENOID VALVE
22	909 5632 000	1	VALVE
23	909 5637 000	1	SPRING
24C	909 5651 000	2	RUBBER HOLDER
26B	L08603893	1	KIT FILTER NET WITH GASKET
27C	9097868000	1	HOSE Ø12 380 MM
28	909 5026 000	1	HOSE Ø10 100 MM
29	145 8582 000	3	CLAMP 8/ 9-16
30	145 4154 000	1	HOSE Ø10 90 MM
[31]C	9097874000	1	CONNECTOR FOR SOLENOID VALVE
[32]C	909 5977 000	1	SOLENOID VALVE KIT (5,14,19,22,24,27,28,29,30)
[33]C	9097873000	1	INSTRUCTIONS INSTALLATION SOLENOID VALVE KIT
[34]	909 5990 000	1	SOLUTION SYSTEM HARDWARE KIT

A: SEE TSB IT 2007-015  
B: SEE TSB IT 2007-021  
C: SEE TSB IT 2008-016

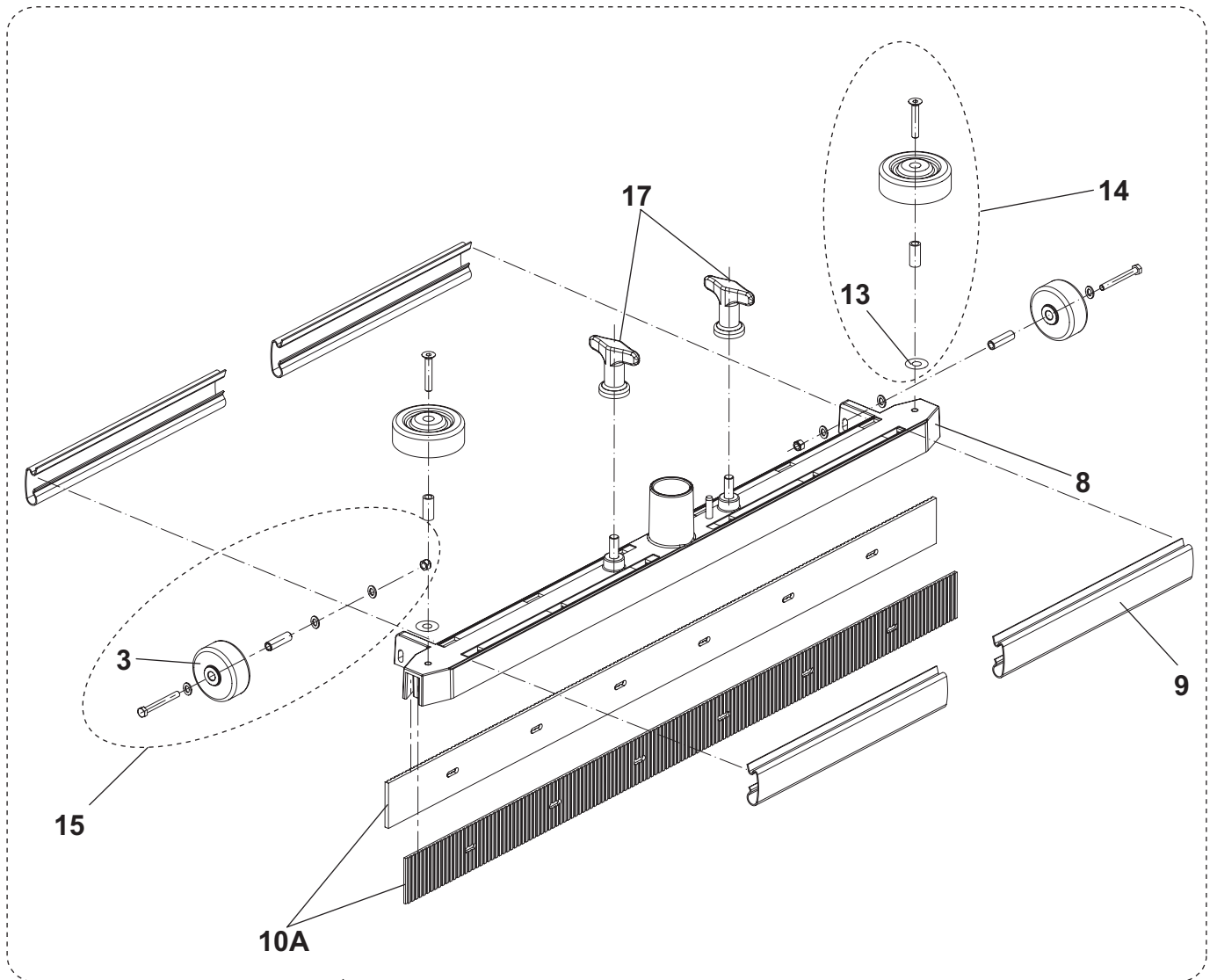
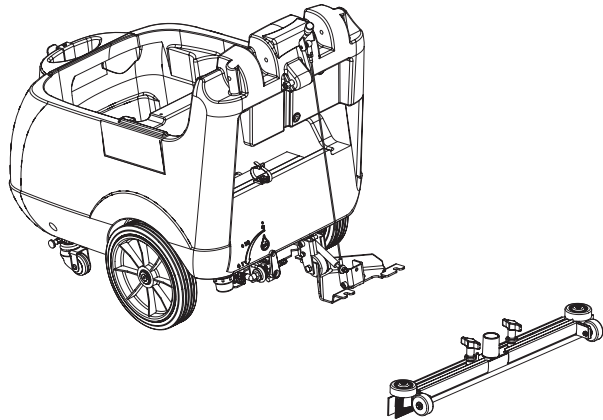
**SQUEEGEE ASSEMBLY**

**2005-01**

**14**

**MICROMATIC™ M17B**

**2009-11**

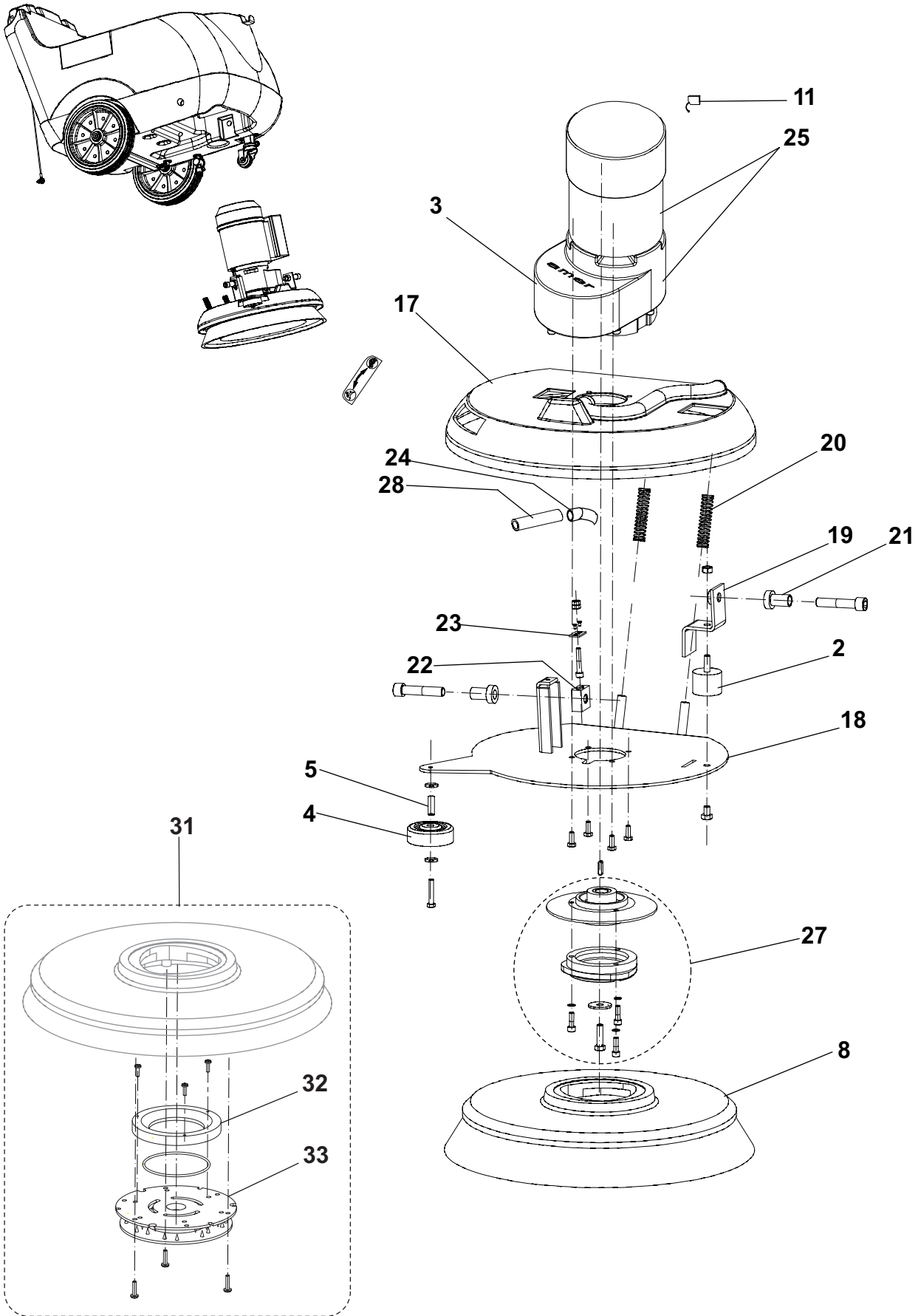




2005-01	<b>SQUEEGEE ASSEMBLY</b>			
2009-11	<b>MICROMATIC™ M17B</b>			<b>15</b>

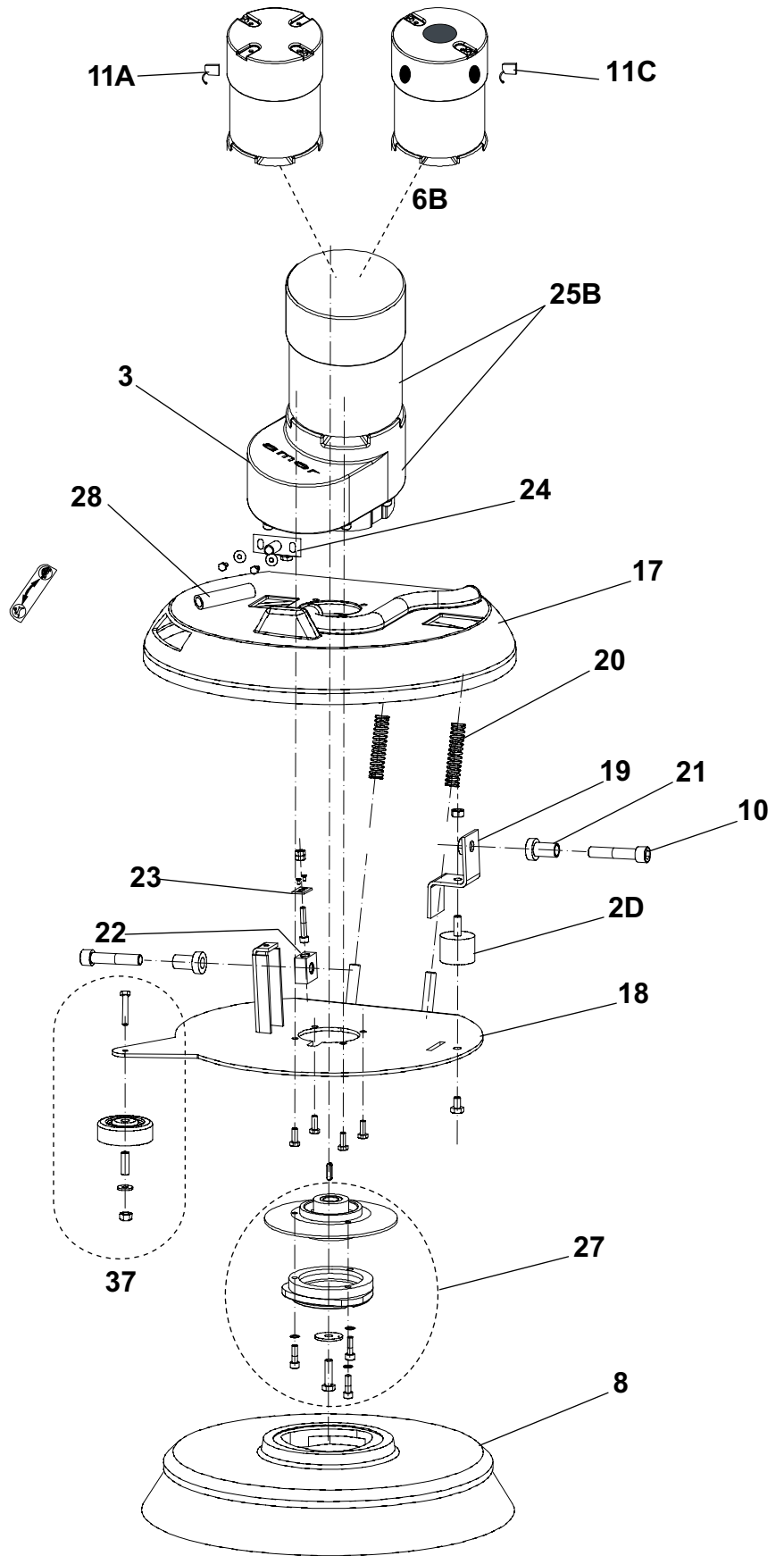
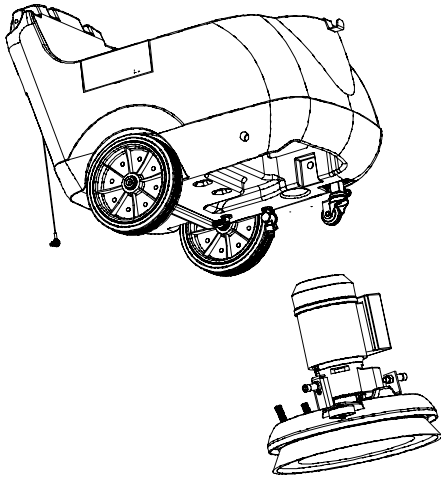
Item	Ref. No.	Qty	Description
3	L08603665	2	SQUEEGEE WHEEL
8	909 5554 000	1	SQUEEGEE WELDMENT
9	909 5555 000	4	SPRING
10A	9097354000	1	BLADES POLYURET. KIT
13	L08603689	2	WASHER FLAT 6X18 SS
14	L08603880	1	KIT SQUEEGEE BUMP.ROLLER
15	909 5703 000	1	KIT SQUEEGEE WHEEL
16	909 5702 000	1	KIT SQUEEGEE COMPLETE
17#	9097637000	1	KIT SQUEEGEE FIXING
[19]	909 5991 000	1	SQUEEGEE ASSEMBLY HARDWARE KIT

A: SEE TSB IT 2008-007



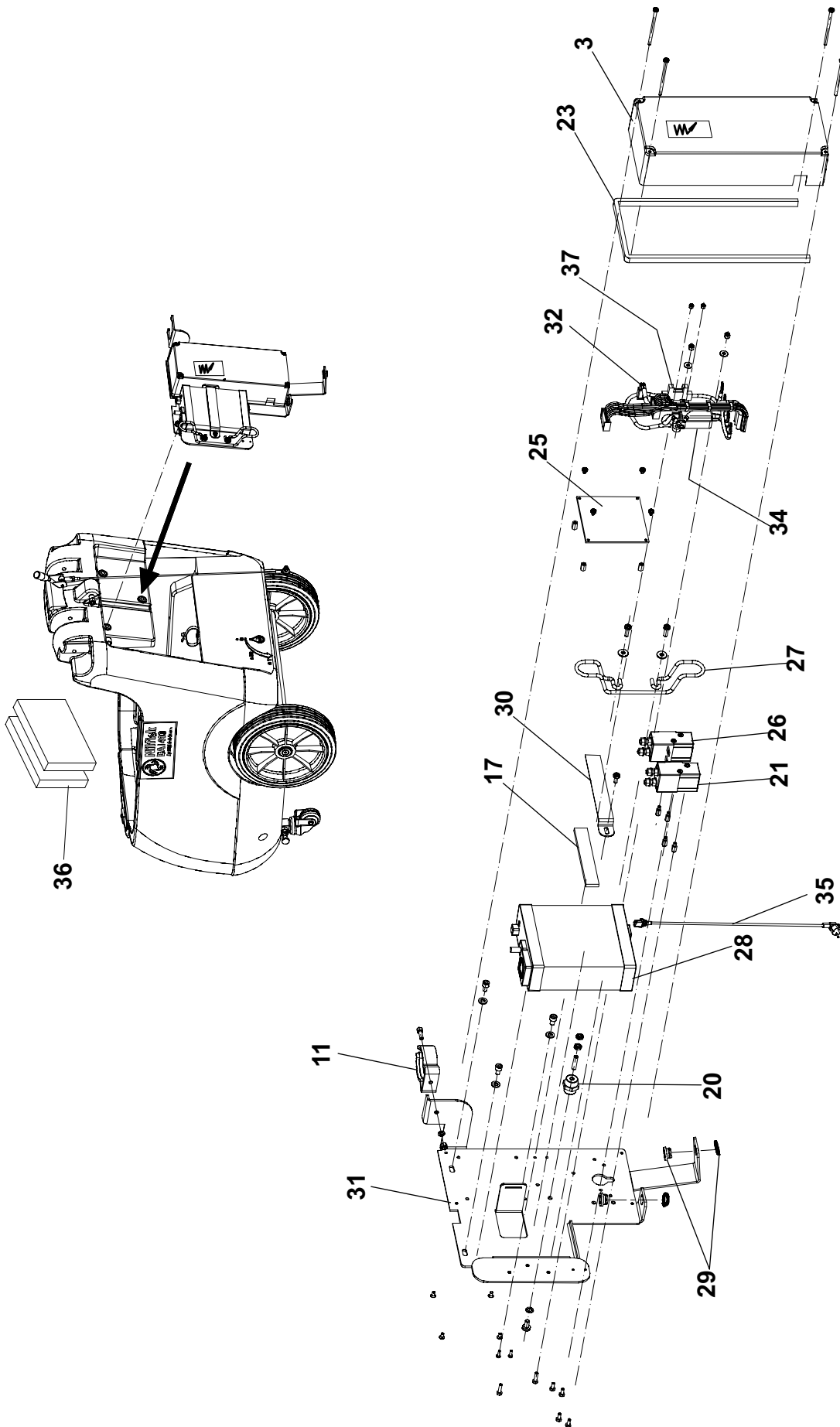
2005-01	<b>BRUSH SYSTEM</b>			
2009-11	<b>MICROMATIC™ M17B - Before machine S/N 054920336</b>			<b>17</b>

Item	Ref. No.	Qty	Description
2	9097184000	1	VIBRATION DAMPING
3	L08603849	1	REDUCTION GEAR
4	56363855	1	BUMPER ROLLER
5	909 5710 000	1	SPACER
6	909 5508 000	1	ELECTRIC MOTOR
8	L08812891	1	BRUSH Ø430 PROLENE PPL
<b>8*</b>	<b>909 5691 000</b>	<b>1</b>	<b>BRUSH Ø430 MIDLITE GRIT180</b>
<b>8*</b>	<b>909 5692 000</b>	<b>1</b>	<b>BRUSH Ø430 MIDGRIT 240</b>
<b>8*</b>	<b>909 5693 000</b>	<b>1</b>	<b>BRUSH Ø430 PROLITE</b>
<b>8*</b>	<b>909 5694 000</b>	<b>1</b>	<b>BRUSH Ø430 UNION MIX</b>
11	909 5720 000	1	CARBON BRUSH SET (4 PCS)
17	909 5550 000	1	BRUSH PROTECTION
18	909 5556 000	1	PLATE BRUSH SUPPORT
19	909 5557 000	1	BRACKET
20	909 5558 000	2	SPRING
21	909 5559 000	2	BUSHING
22	909 5585 000	1	BRUSH DECK ADJUSTER BLOCK
23	909 5586 000	1	PLATE
24	909 5594 000	1	HOSE COPPER
25#	9097113000	1	REDUCTIONGEAR MOTOR 520W
27	L08812589	1	POLYGONAL HOLDER WITH FLANGE KIT
28	909 5622 000	1	HOSE Ø10 640 MM
[30]	909 5992 000	1	BRUSH SYSTEM HARDWARE KIT
<b>31*</b>	<b>909 5695 000</b>	<b>1</b>	<b>PAD HOLDER</b>
32	L08603966	1	RING NYLON
33	L08837030	1	RETAINER PAD

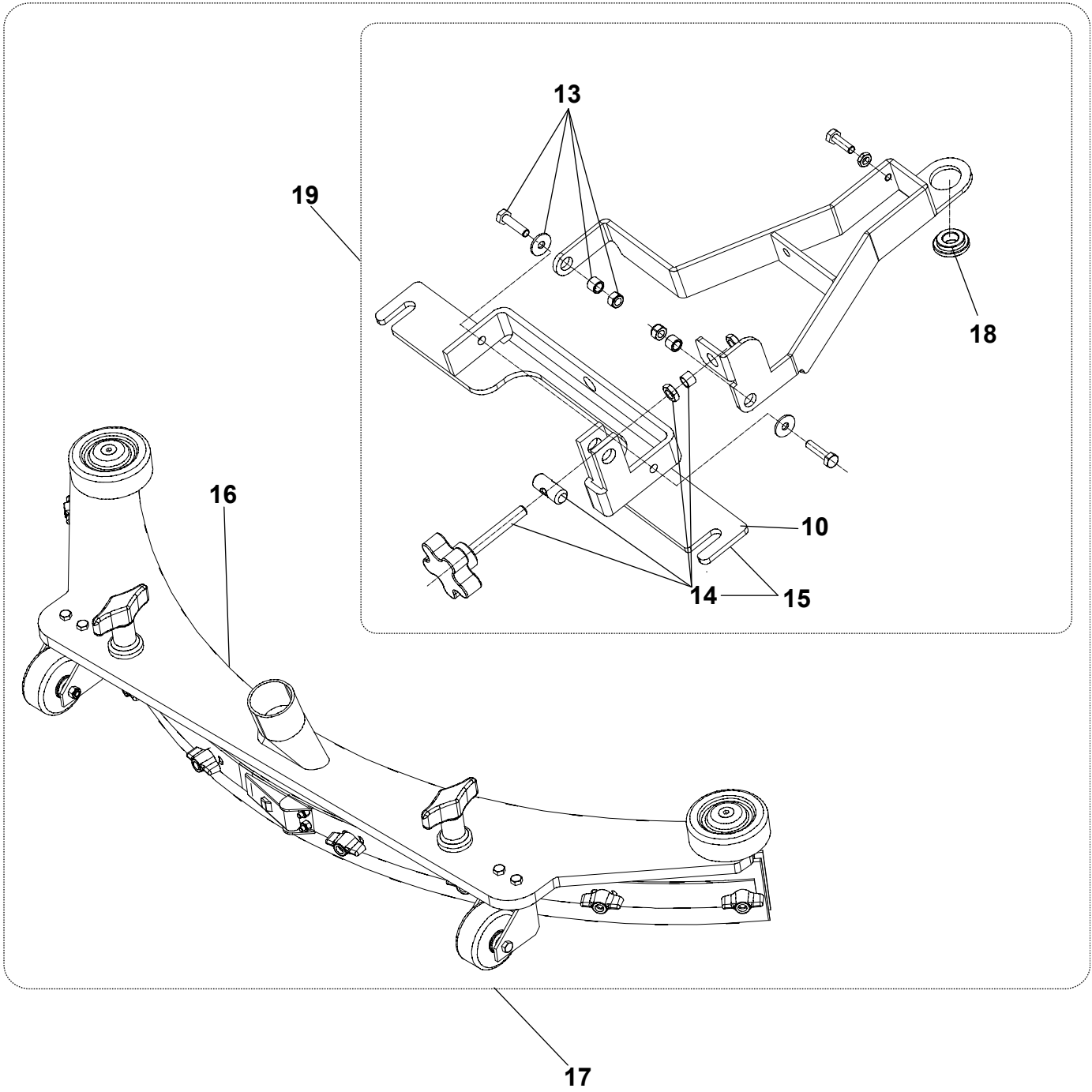


2005-01	<b>BRUSH SYSTEM</b>			
2009-11	<b>MICROMATIC™ M17B - From machine S/N 054920336</b>			<b>19</b>

Item	Ref. No.	Qty	Description
2D	9097184000	1	VIBRATION DAMPING
3	L08603849	1	REDUCTION GEAR
6B	9097114000	1	ELECTRIC MOTOR
8	L08812891	1	BRUSH Ø430 PROLENE PPL
<b>8*</b>	<b>909 5691 000</b>	<b>1</b>	<b>BRUSH Ø430 MIDLITE GRIT180</b>
<b>8*</b>	<b>909 5692 000</b>	<b>1</b>	<b>BRUSH Ø430 MIDGRIT 240</b>
<b>8*</b>	<b>909 5693 000</b>	<b>1</b>	<b>BRUSH Ø430 PROLITE</b>
<b>8*</b>	<b>909 5694 000</b>	<b>1</b>	<b>BRUSH Ø430 UNION MIX</b>
11A	909 5720 000	1	CARBON BRUSH W/COVER KIT (4 PCS)
11C	909 6893 000	1	CARBON BRUSH KIT
17	909 5550 000	1	BRUSH PROTECTION
18	909 6269 000	1	PLATE BRUSH SUPPORT
19	909 6270 000	1	BRACKET
20	909 5558 000	2	SPRING
21	909 5559 000	2	BUSHING
22	909 5585 000	1	BRUSH DECK ADJUSTER BLOCK
23	909 5586 000	1	PLATE
24	909 6217 000	1	HOSE COPPER
25B	9097113000	1	REDUCTIONGEAR MOTOR 520W 24V
27	L08812589	1	POLYGONAL HOLDER WITH FLANGE KIT
28	909 5622 000	1	HOSE Ø10 640 MM
[30]	909 5992 000	1	BRUSH SYSTEM HARDWARE KIT
<b>31*</b>	<b>909 5695 000</b>	<b>1</b>	<b>PAD HOLDER</b>
32*	L08603966	1	RING NYLON
33	L08837030	1	RETAINER PAD
37	909 5397 000	1	BUMPER ROLLER KIT



Item	Ref. No.	Qty	Description
3	909 6568 000	1	COVER ELECTRONIC CARD
11	909 6380 000	1	CLAMP KIT
17	146 0656 000	1	GASKET L=125 MM
20	146 0708 000	1	INSULATOR M6 WHITE
21	909 5127 000	1	VACUUM ELECTROMAGNETIC SWITCH 24V
23	146 2118 000	1	GASKET L=750 MM
25	909 5098 000	1	ELECTRONIC CARD
26	146 0719 000	1	BRUSH ELECTROMAGNETIC SWITCH 24V
27	909 5149 000	1	SUPPORT BATTERY CHARGER CABLE
28A	909 5561 000	1	BATTERY CHARGER 24V 8A 115-230V
28B	9097046000	1	BATTERY CHARGER 24V 8/9A 100-240V
29	909 6062 000	2	KIT BUSH CABLE GIUDE AND RETAINING RING
30A	909 5570 000	1	BRACKET FOR BATTERY CHARGER
30B	909 6234 000	1	BRACKET FOR BATTERY CHARGER
31	909 5788 000	1	PLATE
32A	909 5845 000	1	HARNESS ELECTRONIC CARD
32B	909 6427 000	1	HARNESS ELECTRONIC CARD
34	145 8046 000	1	STRIP FUSE HOLDER
35	9096914000	1	CABLE EXTENSION
36	L08812670	2	RESTRAINT
37	146 0660 000	1	BLADE FUSE HOLDER
[42]	909 5844 000	1	MACHINE HARNESS MICROMATIC TM M17B
[43]	L08812093	4	BOOT BATTERY CLAMPS
[44]	145 8513 000	1	VACUUM BLADE FUSE 30A
[46]	909 5955 000	1	BATTERY HARNESS
[47]#	9097590000	1	CABLE BATTERY INTERCONNECTION
[50]	145 9852 000	1	FUSE BLADE 5A
[51]	145 3824 000	1	BRUSH STRIP FUSE 40A
[52]A	909 5982 000	1	POWER CABLE
[53]A	909 5983 000	1	OUTLET CABLE
[54]A	909 5984 000	1	COOLING FAN
[56]	909 5994 000	1	WIRING SYSTEM HARDWARE KIT
[57]B	9097047000	1	BATTERY CHARGER 24V 8/9A 100-240V KIT
[58]B	9097048000	1	INSTALLATION INSTRUCTIONS FOR BATTERY CHARGER 24V 8/9A 100-240V KIT
[59]B	909 6446 000	1	BATTERY CHARGER COOLING FAN
[60]B	909 6447 000	1	COVER FOR BATTERY CHARGER
[61]B	909 6448 000	1	BATTERY CHARGER HARNESS
[62]B	145 1248 000	1	BATTERY CHARGER CAP

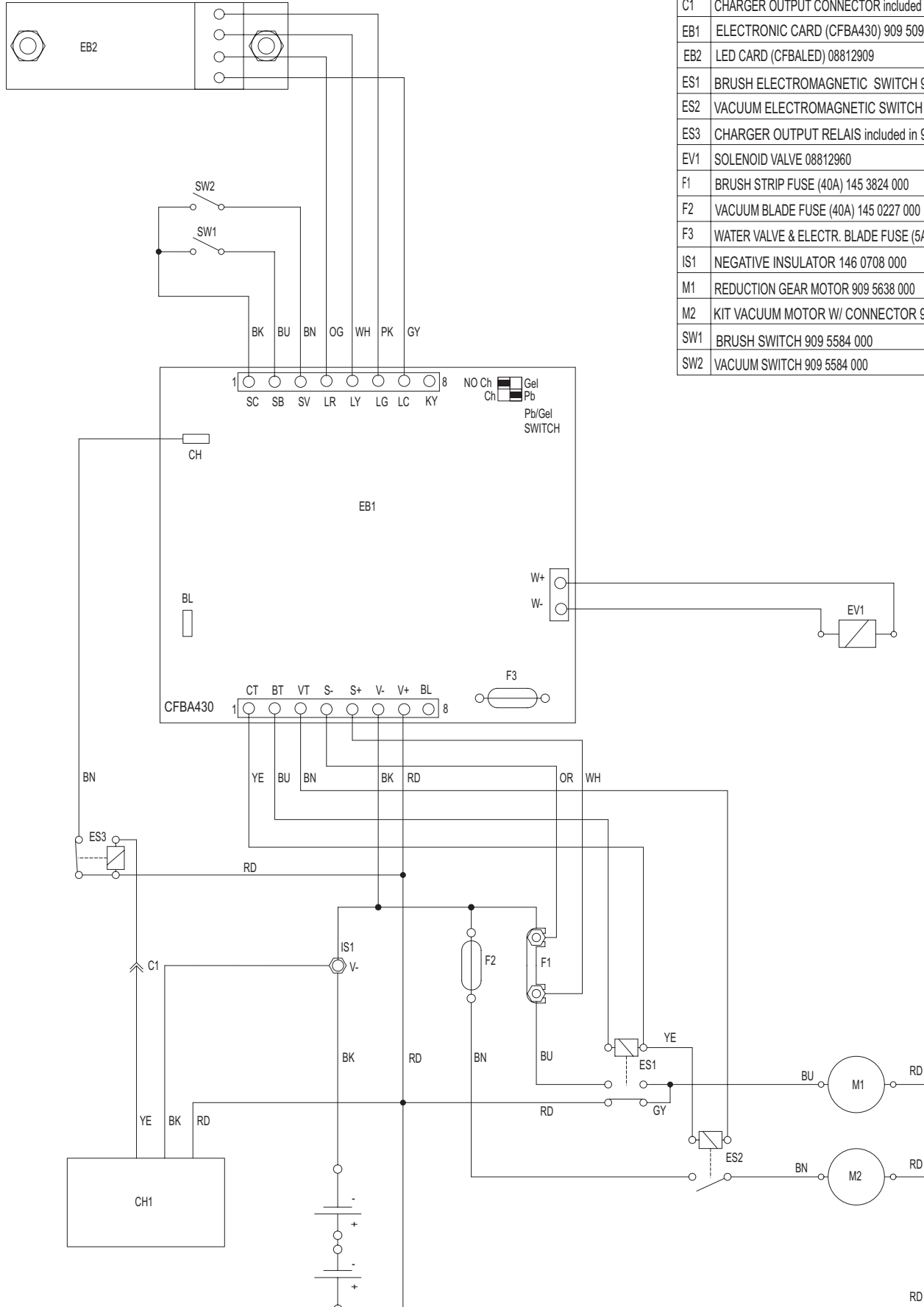




2005-01	<b>ACCESSORIES</b>		
2008-11	<b>MICROMATIC™ M17B</b>		<b>23</b>

Item	Ref. No.	Qty	Description
10#	L08812952	1	HOLDER SQUEEGEE
13	56325682	1	FIXTURE LEFT/RIGHT KIT
14	56325684	1	ADJUSTMENT SCREW KIT
15	L08603876	1	KIT SQUEEGEE HOLDER
<b>16*</b>	<b>L08603878</b>	<b>1</b>	<b>KIT SQUEEGEE CURVED</b>
<b>17*</b>	<b>909 5916 000</b>	<b>1</b>	<b>KIT CURVED SQUEEGEE COMPLETE</b>
18	909 5915 000	1	SPACER
19	909 6047 000	1	KIT SQUEEGEE SUPPORT
[20]	56393285	1	SQUEEGEE BLADE FRONT
[21]	56325685	1	SQUEEGEE BLADE REAR
[21]	909 5917 000	1	INSTALLATION INSTRUCTIONS FOR CURVED SQUEEGEE COMPLETE

WIRING DIAGRAM  
909 5604 000

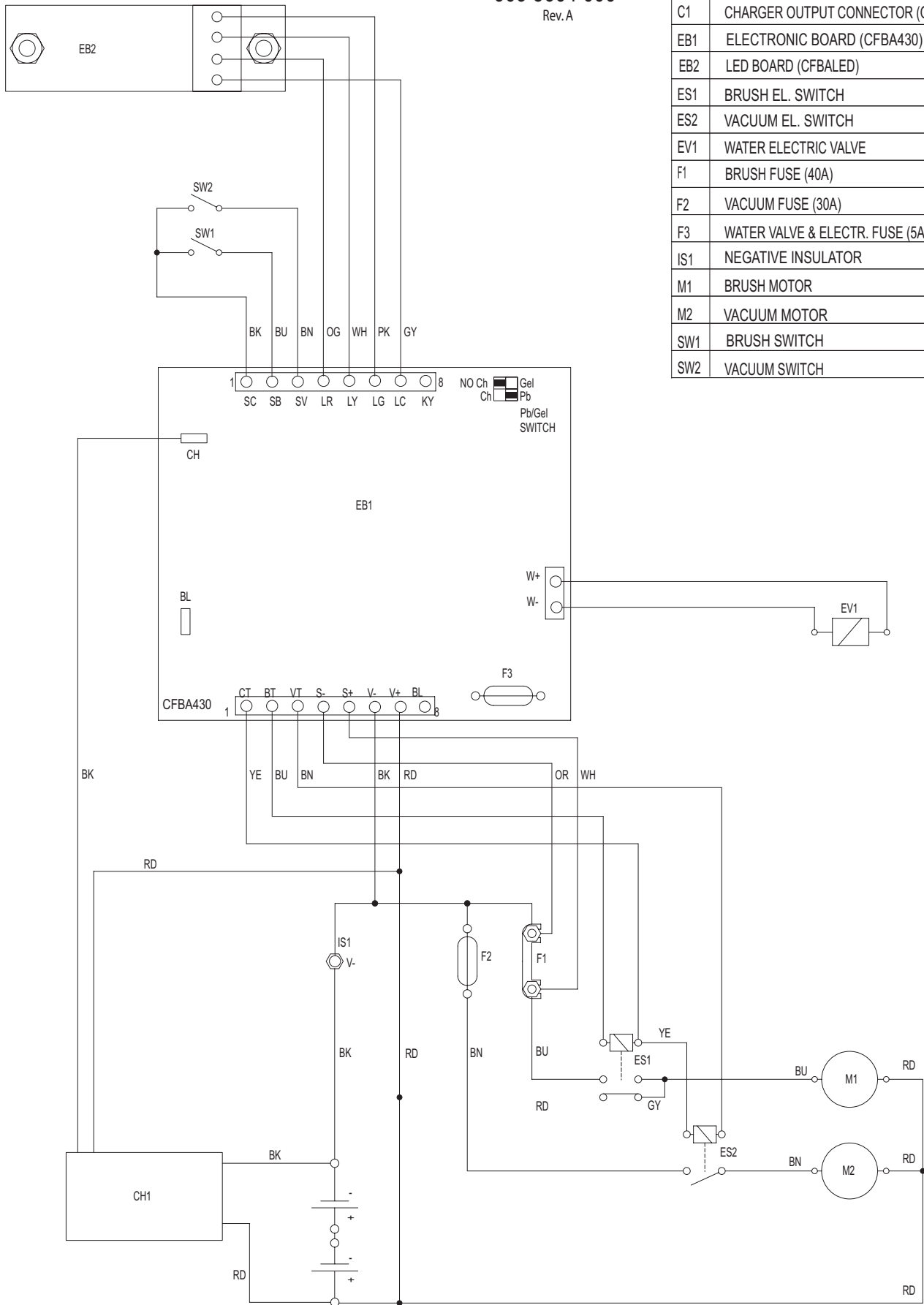


LEGENDA

CH1	BATTERY CHARGER 909 5561 000
C1	CHARGER OUTPUT CONNECTOR included in 909 5561 000
EB1	ELECTRONIC CARD (CFBA430) 909 5098 000
EB2	LED CARD (CFBALED) 08812909
ES1	BRUSH ELECTROMAGNETIC SWITCH 909 5127 000
ES2	VACUUM ELECTROMAGNETIC SWITCH 146 0719 000
ES3	CHARGER OUTPUT RELAIS included in 909 5845 000
EV1	SOLENOID VALVE 08812960
F1	BRUSH STRIP FUSE (40A) 145 3824 000
F2	VACUUM BLADE FUSE (40A) 145 0227 000
F3	WATER VALVE & ELECTR. BLADE FUSE (5A) 145 9852 000
IS1	NEGATIVE INSULATOR 146 0708 000
M1	REDUCTION GEAR MOTOR 909 5638 000
M2	KIT VACUUM MOTOR W/ CONNECTOR 909 5713 000
SW1	BRUSH SWITCH 909 5584 000
SW2	VACUUM SWITCH 909 5584 000

WIRING DIAGRAM  
909 5604 000  
Rev. A

LEGENDA	
CH1	BATTERY CHARGER (OPT)
C1	CHARGER OUTPUT CONNECTOR (OPT)
EB1	ELECTRONIC BOARD (CFBA430)
EB2	LED BOARD (CFBALED)
ES1	BRUSH EL. SWITCH
ES2	VACUUM EL. SWITCH
EV1	WATER ELECTRIC VALVE
F1	BRUSH FUSE (40A)
F2	VACUUM FUSE (30A)
F3	WATER VALVE & ELECTR. FUSE (5A)
IS1	NEGATIVE INSULATOR
M1	BRUSH MOTOR
M2	VACUUM MOTOR
SW1	BRUSH SWITCH
SW2	VACUUM SWITCH



**RECOMMENDED SPARE PARTS**

**2005-01**

**26**

**MICROMATIC™ M17B**

**2009-11**

Item	Ref. No.	Qty	Description
			<b>WEAR PARTS</b>
	9097166000	1	KIT WATER FILTER COMPLETE
	L08603893	1	KIT FILTER NET WITH GASKET
	909 5716 000	1	GASKET L=1250 MM
	9097354000	1	BLADES POLIURET. KIT 720MM/28"
	909 5555 000	4	SPRING
	L08812891	1	BRUSH Ø430 PROLENE PPL STD
			<b>ORDINARY MAINTENANCE</b>
#	9098255000	1	DRAIN HOSE
	909 5578 000	1	SUCTION HOSE (BEFORE TSB 2006-001)
	909 6060 000	1	SUCTION HOSE (AFTER TSB 2006-001)
	909 5579 000	1	VACUUM MOTOR HOSE
	145 8513 000	1	BLADE FUSE 30A
	145 3824 000	1	STRIP FUSE 40A
	145 9852 000	1	BLADE FUSE 5A
			<b>EXTRAORDINARY MAINTENANCE</b>
	9097738000	1	SOLENOID VALVE 24V
	909 5977 000	1	SOLENOID VALVE KIT
	909 5651 000	2	RUBBER HOLDER
	909 5696 000	1	VALVE
#	9098233000	1	KIT VACUUM MOTOR W/CONNECTOR
#	9098231000	1	CARBON BRUSH KIT
	909 5371 000	2	CARBON BRUSH FOR OLD VACUUM MOTOR
	909 5573 000	1	SQUEEGEE LIFTING CABLE
	909 5700 000	1	KIT SQUEEGEE LIFT CABLE
	909 5564 000	1	PIPE ACOUSTIC INSULATION
	909 5565 000	1	PIPE ACOUSTIC INSULATION
	9097113000	1	REDUCTIONGEAR MOTOR 520W
	909 6893 000	1	CARBON BRUSH KIT (4 PZ) (TSB IT 2007-011)
	909 5720 000	1	CARBON BRUSH W/COVER KIT (TSB IT 2007-011)
	9097184000	1	VIBRATION DAMPING
	909 5558 000	2	SPRING
	909 5397 000	1	BUMPER ROLLER KIT
	9096915000	2	WHEEL
	909 5099 000	1	HANDLE ADJUSTER KIT
	909 5701 000	1	HANDLE ADJUSTING KIT
	909 5554 000	1	SQUEEGEE WELDMENT
	909 5702 000	1	KIT SQUEEGEE COMPLETE
	909 5703 000	2	KIT SQUEEGEE WHEEL
	L08603880	2	KIT SQUEEGEE BUMPER ROLLER
	909 6062 000	1	KIT BUSH CABLE GUIDE AND RETAINING RING
	909 5584 000	1	SWITCH
	909 5098 000	1	ELECTRONIC CARD
	9097047000	1	KIT BATTERY CHARGER 100-240V
	9097046000	1	BATTERY CHARGER 100-240V
	146 0719 000	1	ELECTROMAGNETIC SWITCH 24V
	909 5127 000	1	ELECTROMAGNETIC SWITCH 24V

2005-01	RECOMMENDED SPARE PARTS			
2009-11	MICROMATIC™ M17B			27

Item	Ref. No.	Qty	Description
			<b>OPTIONALS</b>
	9096916000	1	FILTER
#	909 5065 000	1	ANTIFOAMING FILTER
	909 5691 000	1	BRUSH Ø430 MIDLITE GRIT180
	909 5692 000	1	BRUSH Ø430 MIDGRIT 240
	909 5693 000	1	BRUSH Ø430 PROLITE
	909 5694 000	1	BRUSH Ø430 UNION MIX
	909 5695 000	1	PAD HOLDER
	L08603878	1	KIT SQUEEGEE CURVED
	909 5916 000	1	KIT CURVED SQUEEGEE COMPLETE



**Nilfisk-Advance, Inc.**

14600 21st Avenue North

Plymouth, MN, 55447-3408

[www.nilfisk-advance.com](http://www.nilfisk-advance.com)

Phone: 800-989-2235

Fax: 800-989-6566

©2008 Nilfisk-Advance, Inc.,

Plymouth, MN 55447-3408

Printed in Italy